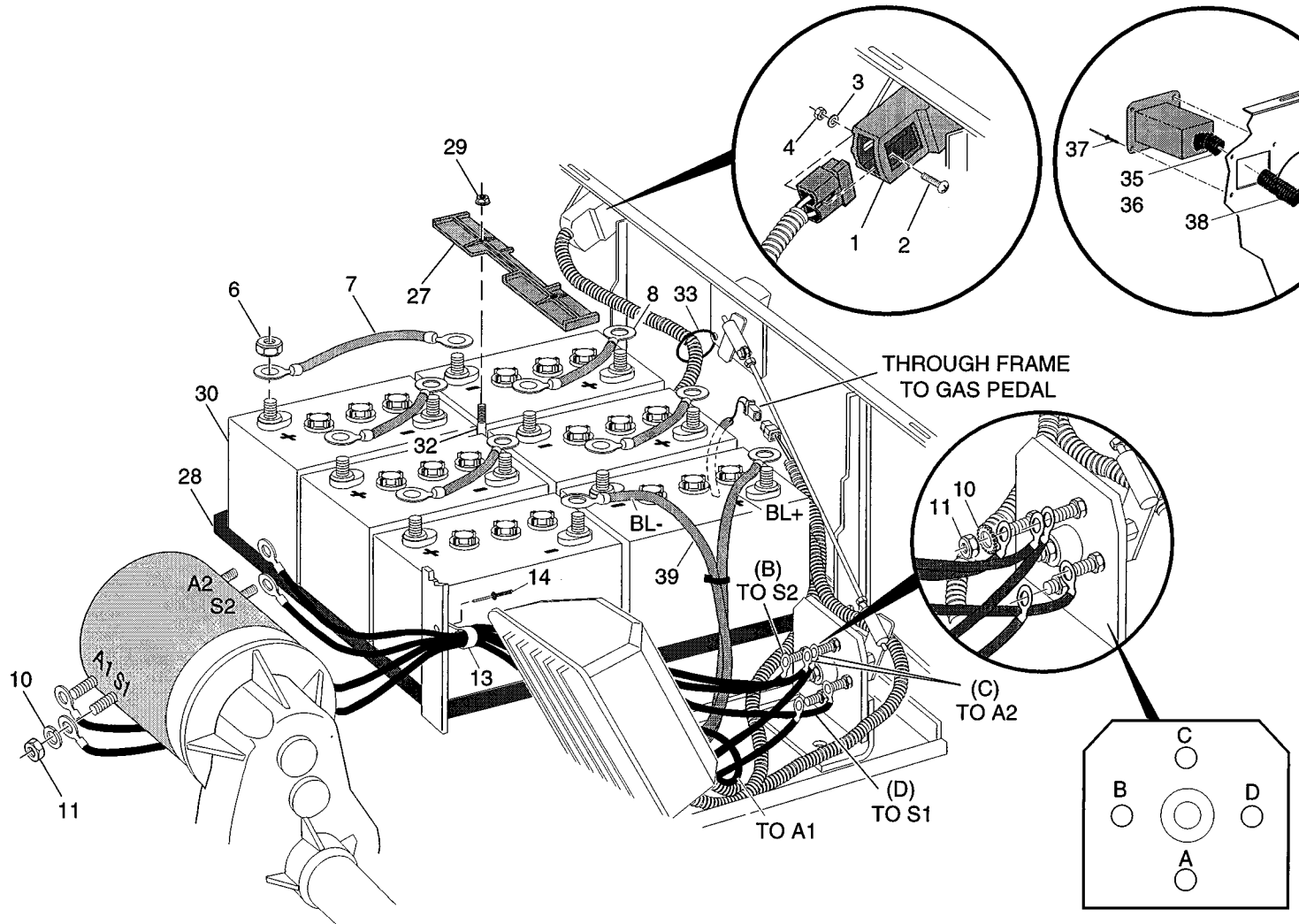
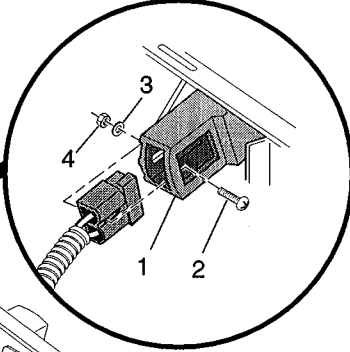
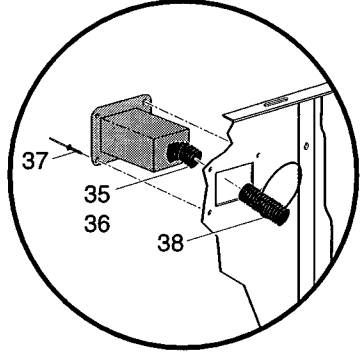
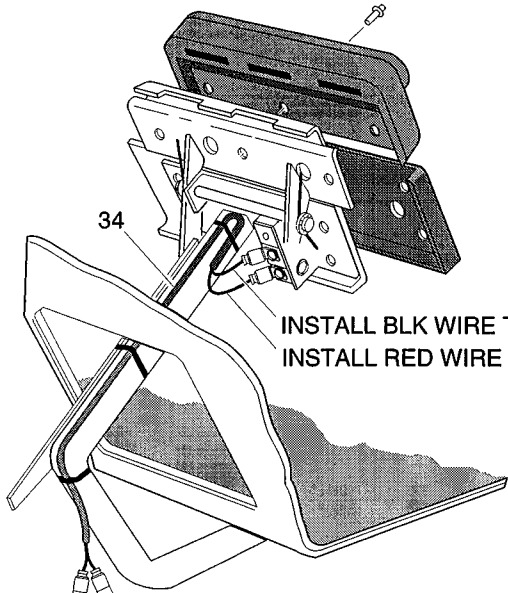


POWERWISE™ AND
POWERWISE™ +
BATTERY CHARGERS

TOTAL CHARGE®
BATTERY CHARGERS



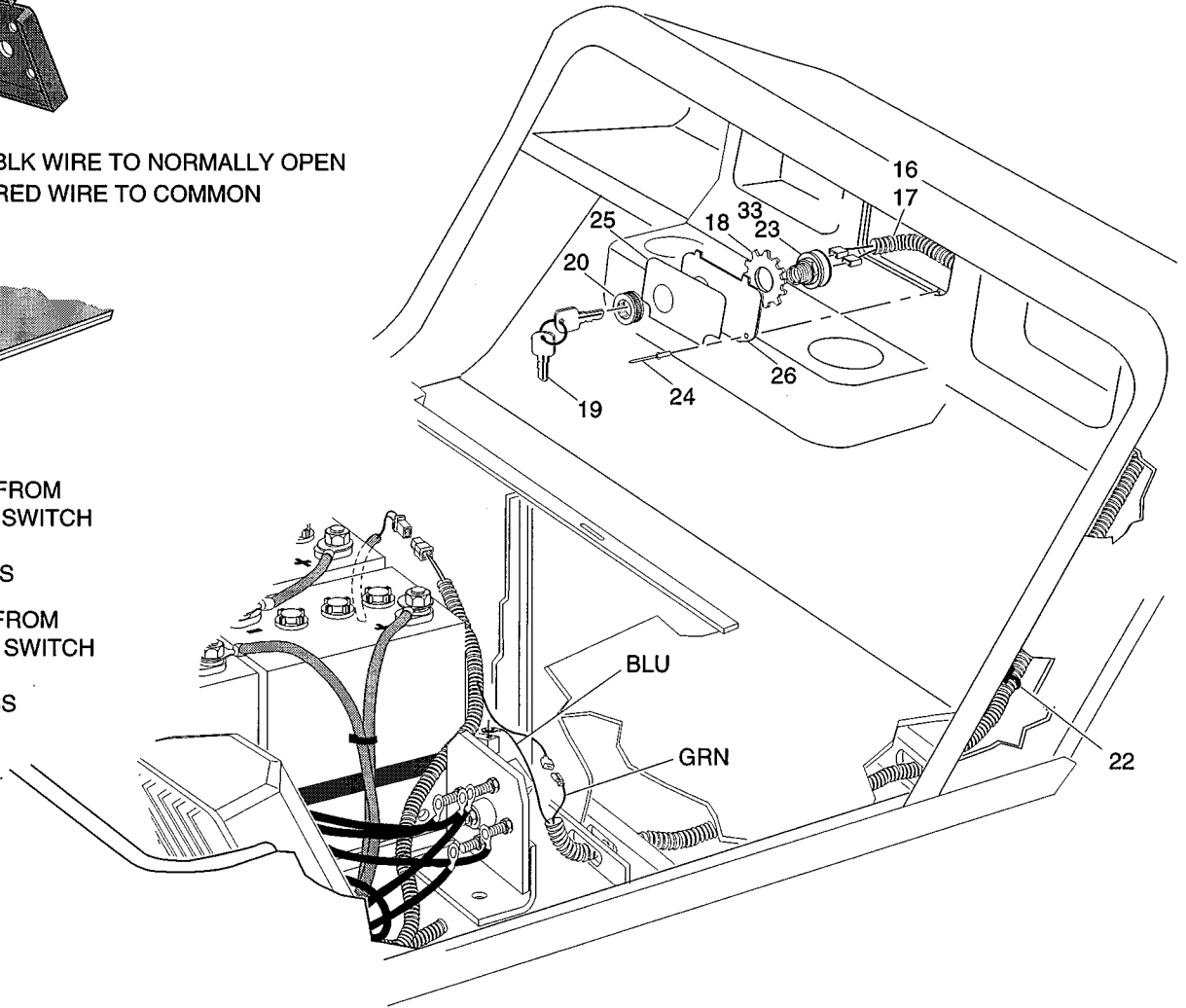
BRAKE LIGHT SWITCH CONNECTIONS



INSTALL BLK WIRE TO NORMALLY OPEN
INSTALL RED WIRE TO COMMON

CONNECT RED WIRE FROM
BRAKE PEDAL MICRO SWITCH
TO RED WIRE FROM
ACCESSORY HARNESS

CONNECT BLK WIRE FROM
BRAKE PEDAL MICRO SWITCH
TO BRN WIRE FROM
ACCESSORY HARNESS



THE USE OF NON UL PARTS WILL VOID ANY UL LISTING.

When ordering parts, please specify the model and serial number of the product.

* Indicates a component that is not available as an individual part.

G** Indicates consult Customer Service Department for additional information.

| ITEM | PART NO. | 1 2 3 4 5 | DESCRIPTION | QTY. |
|------|-----------|-----------|--|------|
| 1 | 18724-G1 | | RECEPTACLE HOLDER..... | 1 |
| 2 | 00645-G2 | | SCREW, #6 - 32 X 1 1/4 LG..... | 2 |
| 3 | 00559-G3 | | WASHER, #6..... | 2 |
| 4 | 14390-G9 | | NUT, LOCK, #6 - 32 | 2 |
| 5 | | | | |
| 6 | 00702-G2 | | NUT, 5/16 - 24 | 12 |
| 7 | 25972-G32 | | WIRE | 1 |
| 8 | 25972-G40 | | WIRE | 4 |
| 9 | | | | |
| 10 | 00567-G8 | | WASHER, LOCK, 5/16..... | 8 |
| 11 | 00532-G3 | | NUT, 5/16 - 18 | 8 |
| 12 | | | | |
| 13 | 27327-G01 | | CLAMP, TWISTED | 2 |
| 14 | 10570-G11 | | RIVET, STAINLESS STEEL, 5/16 | 1 |
| 15 | | | | |
| 16 | 73145-G01 | | HARNESS, KEY SWITCH (DCS MODEL ONLY) | 1 |
| 17 | 73041-G01 | | HARNESS, KEY SWITCH (FLEET) | 1 |
| 18 | 00568-G6 | | WASHER, LOCK, 3/4 | 1 |
| 19 | 17062-G1 | | KEY, IGNITION (SET) | AR |
| 20 | 17137-G1 | | NUT, FACE | 1 |
| 21 | | | | |
| 22 | 17618-G1 | | CLAMP, NYLON | 1 |
| 23 | 17421-G1 | | IGNITION SWITCH KIT, INCLUDES ALL MOUNTING HARDWARE (FOR FREEDOM SEE SECTION S - HORN AND LIGHTING) | 1 |
| 24 | 33623-G02 | | RIVET, DRIVE | 2 |
| 25 | 71145-G01 | | DECAL, CONSOLE INSERT PLATE..... | 1 |
| 26 | 73030-G01 | | PLATE, CONSOLE INSERT (KEY ONLY)..... | 1 |
| 27 | 70045-G01 | | RETAINER, BATTERY | 1 |
| 28 | 70046-G01 | | BATTERY RACK | 1 |
| 29 | 11027-G1 | | NUT, LOCK, 5/16 - 18 | 2 |