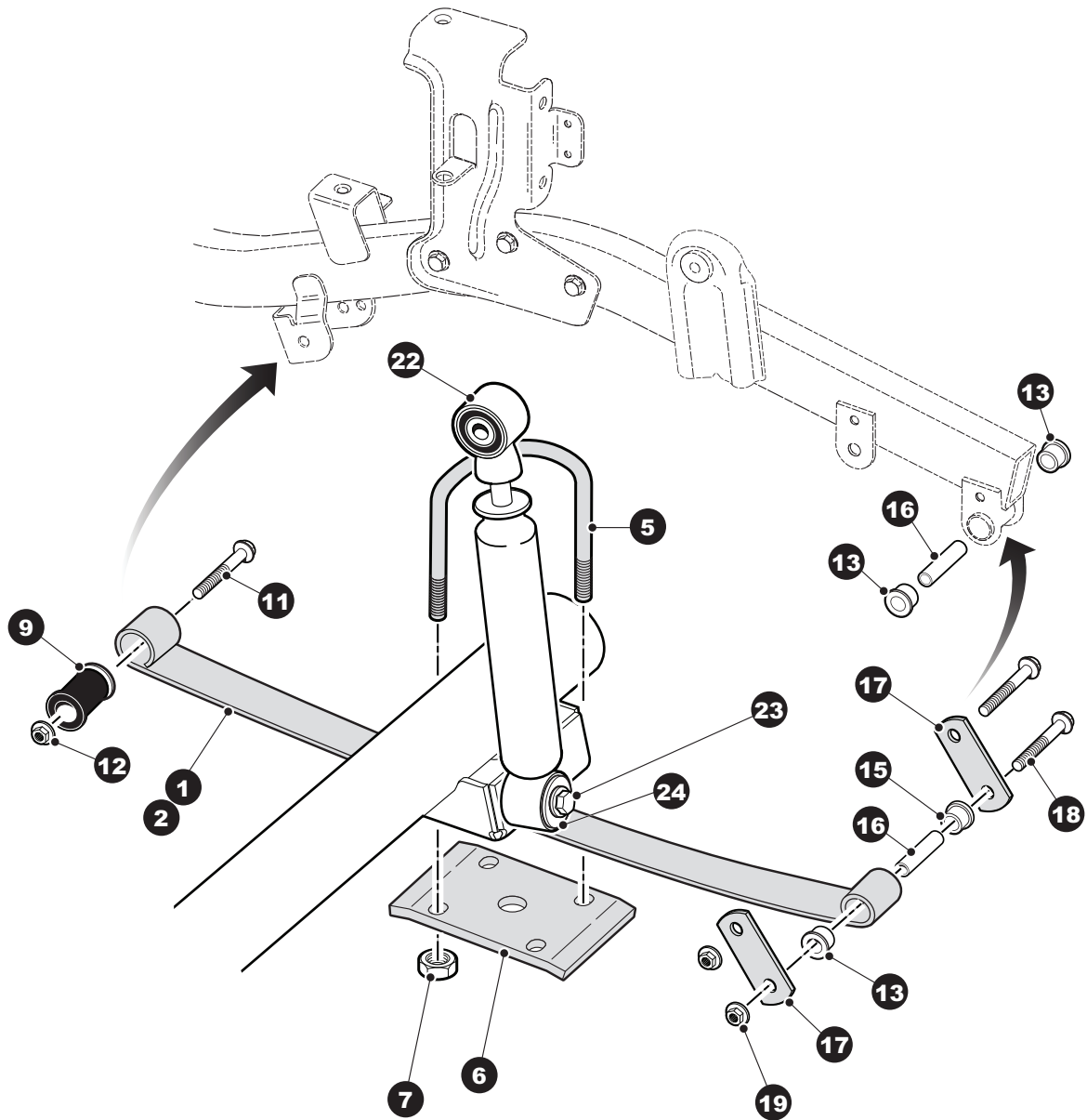


# REAR SUSPENSION



# REAR SUSPENSION

When ordering parts, please specify the model and serial number of the product.

\* Indicates a component that is not available as an individual part.

\*\*\* Indicates consult Customer Service Department for additional information.

ITEM	PART NO.	1 2 3 4 5	DESCRIPTION	QTY.
1	603498		TAPERED LEAF SPRING.....	2
2	604494		HEAVY DUT TAPERED LEAF SPRING .....	2
3				
4				
5	603415		U-BOLT .....	2
6	603495		LEAF SPRING PLATE .....	2
7	600525		LOCK NUT, M10 - 1.5 .....	4
8				
9	605684		FRONT SPRING BUSHING.....	2
10				
11	601754		FLANGED HEX HEAD BOLT, M10 - 1.5.....	2
12	600525		LOCK NUT, M10 - 1.5 .....	2
13				
14				
15	70291-G01		FLANGED URETHANE BUSHING (small).....	8
16	620161		SPLIT STEEL SPACER .....	4
17	603648		SHACKLE PLATE .....	4
18	601754		FLANGED HEX HEAD BOLT, M10 - 1.5 X 100 .....	4
19	600525		LOCK NUT, M10 - 1.5 .....	4
20				
21				
22	603637		SHOCK ABSORBER .....	2
23	601414		FLANGED HEX HEAD BOLT, M10 - 1.5 X 65 .....	4
24	604066		FLAT WASHER, 10.5 X 30 X 2.5 .....	4