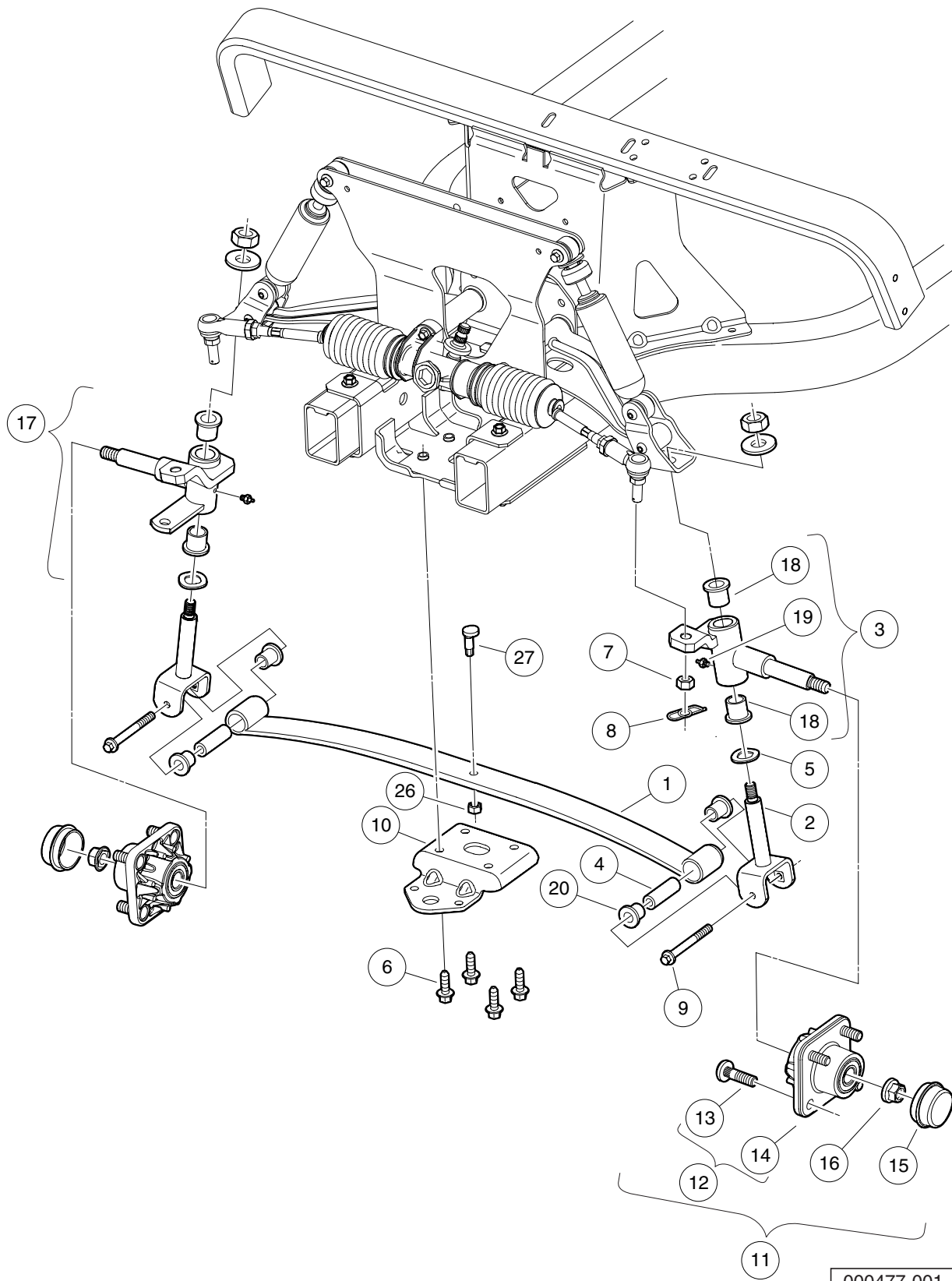


5
G
E



000477-001

FRONT SUSPENSION, LOWER

ITEM	PART NO.	DESCRIPTION	QTY	
		1 2 3 4		5
1	1012030	Spring, Front Leaf	1	G
2	102287201	Assembly - King Pin	2	E
3	102287901	Knuckle Spindle Asm - Lh	1	
4	102288101	Sleeve - Rolled, Spring	2	
5	102288401	Wave Washer - Kingpin	2	
6	102289101	Screw-m10x1.5, Trilob, Hex Fl	4	
7	102289201	Nut - Hex Locking, M12 X 1.25	2	
8	102289301	Rue Ring - 1/2"	2	
9	102289501	Screw- Hex Cap, M8 X 1.25 X 70	2	
10	102289801	Clamp - Leaf Spring	1	
11	102357701	Replacement Kit, Front Hub (includes items 12 through 16)	1	
12	N/A	Front Hub Assembly, Ball Bearing (includes items 13 and 14)	1	
13	102353401	Lug Stud, 1/2-20 UNF, 4037 Stl	4	
14	N/A	Hub, Front	1	
15	102353201	Cap, Front Hub	1	
16	102353301	Hex Nut, Locking Flange, M14x2	1	
17	102878101	Assy, Knuckle, Right Side (includes items 18 and 19)	1	
18	N/A	Bushings, Knuckle Spindle Asym	2	
19	N/A	Fitting, Grease, Knuckle Spindle Asym	1	
20	102956201	Bushing, Urethane, Short, Prec	4	
21	102973801	Kit, Susp, Kingpin Joints (includes items 22 through 25)	1	
22	102287201	Assembly - King Pin	2	
23	102288201	Bushing - Flanged	4	
24	102288401	Wave Washer - Kingpin	2	
25	102878201	Nut, Lock,m12,washer,conical	2	
26	706	Nut, Hex 3/8-16	1	
27	8745	Screw, Eccentric Adjustment	1	