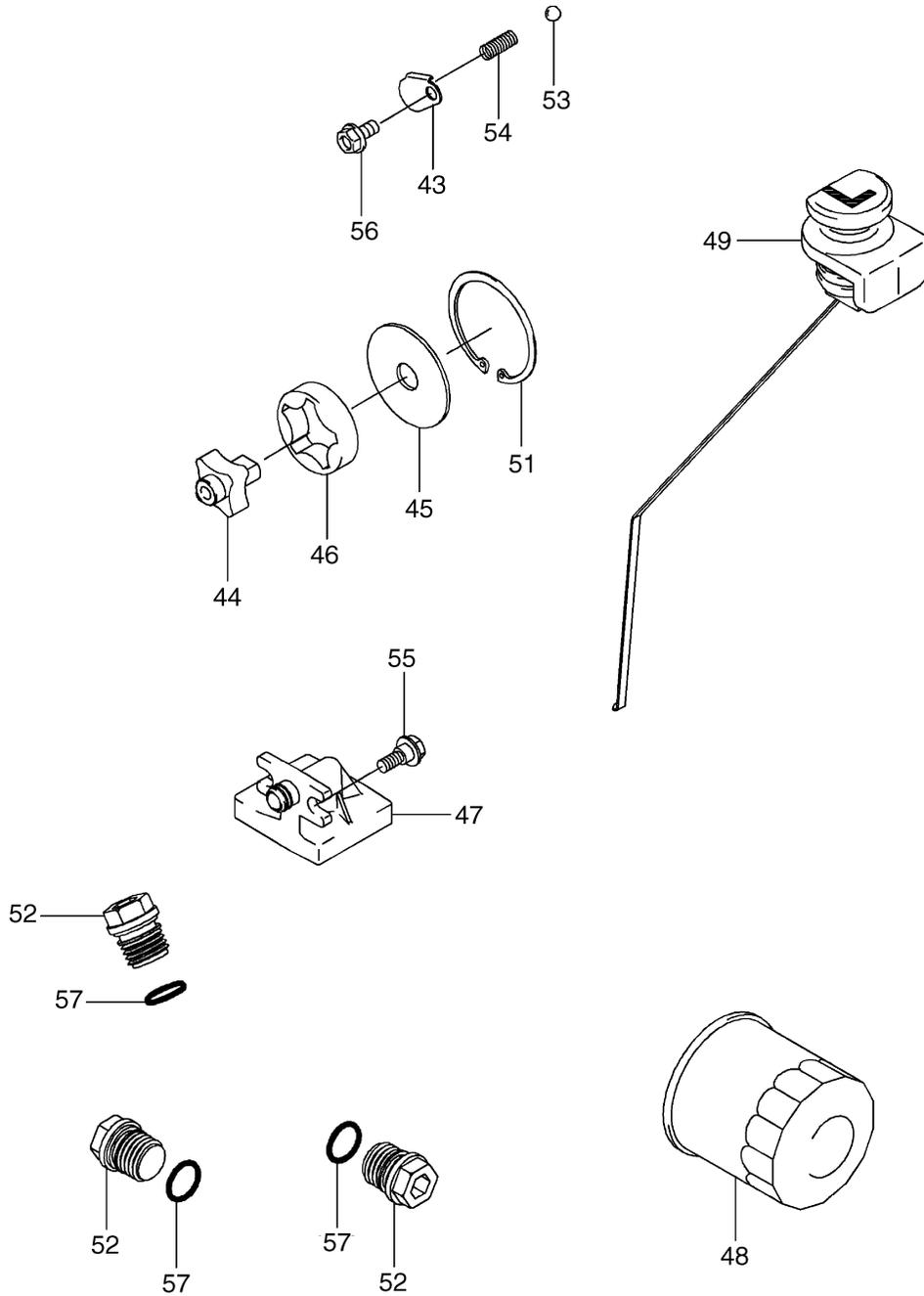


# ILLUSTRATED PARTS BREAKDOWN

## LUBRICATION



KAWIPB4

## ILLUSTRATED PARTS BREAKDOWN

LUBRICATION				
Item	Description	E-Z-GO Part Number	Quantity	
			GOLF	UTILITY
43	PLATE, OIL RELIEF	603550	1	1
44	ASSY OIL PUMP	603552	1	1
45	COVER-PUMP	603553	1	1
46	ROTOR-PUMP, OUTER	603554	1	1
47	PIPE	603555	1	1
48	FILTER, OIL-FJ400D	607454	1	1
49	DIPSTICK OIL, LOW-SUSP	606390	1	1*
50	DIPSTICK OIL, HIGH-SUSP (NOT SHOWN)	606391	-	1*
51	RING SNAP	603556	1	1
52	PLUG	603557	3	3
53	BALL	603558	1	1
54	SPRING, OIL RELIEF	603559	1	1
55	BOLT	603560	2	2
56	BOLT, FLANGED	603561	1	1
57	O RING, 16MM	603562	3	3
58	SWITCH, OIL PRESSURE (NOT SHOWN)	608398	-	1
<p><b>* Utility vehicles may be equipped with either high or low suspension. Please be sure to select the correct dipstick P/N for your model.</b></p>				