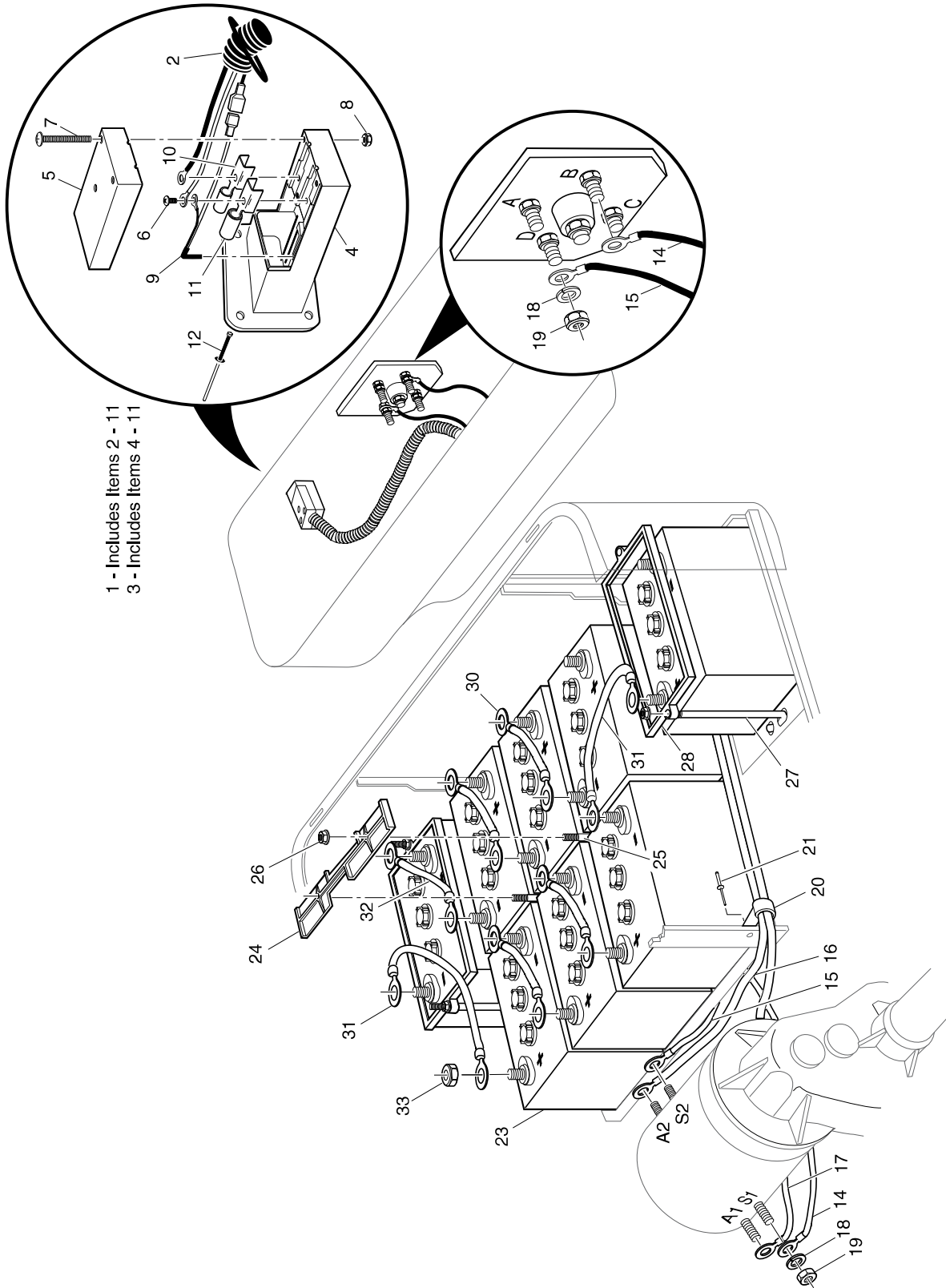
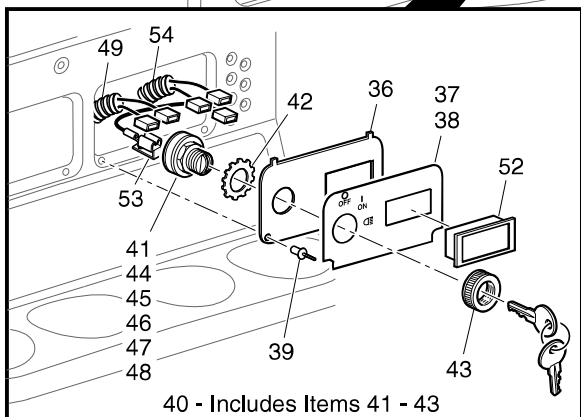
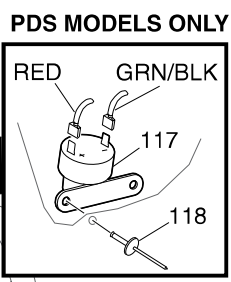
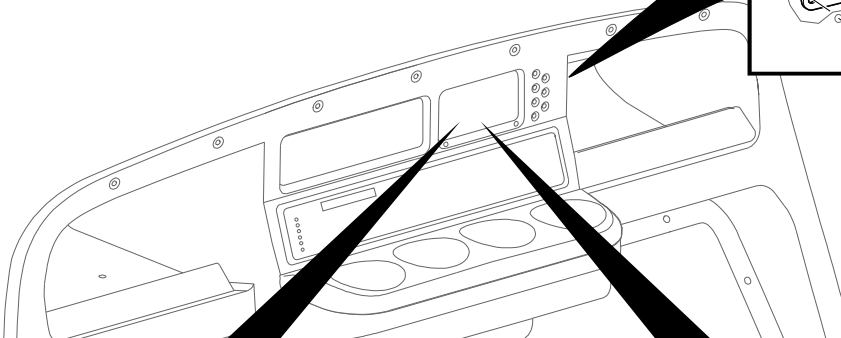


ELECTRICAL SYSTEM

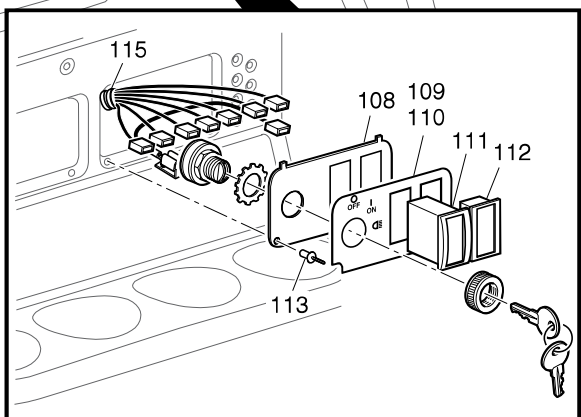


Ref Ele 7-1

ELECTRICAL SYSTEM



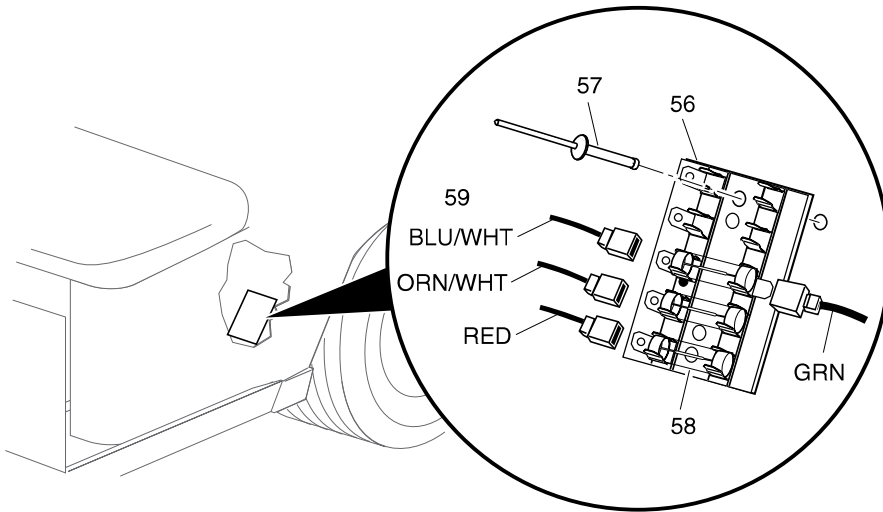
STATE OF CHARGE METER AND KEY SWITCH



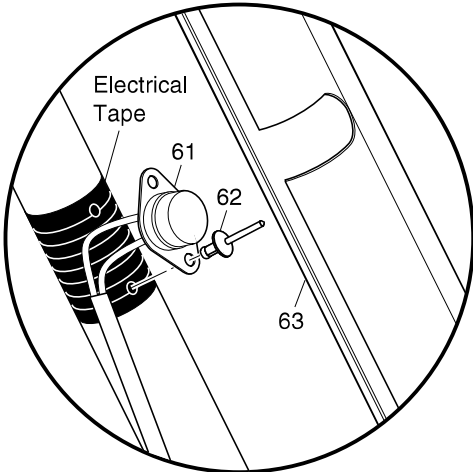
**PDS MODELS ONLY:
DASH MOUNTED DIRECTION SELECTOR,
STATE OF CHARGE METER AND KEY SWITCH**

Ref Ele 7-2

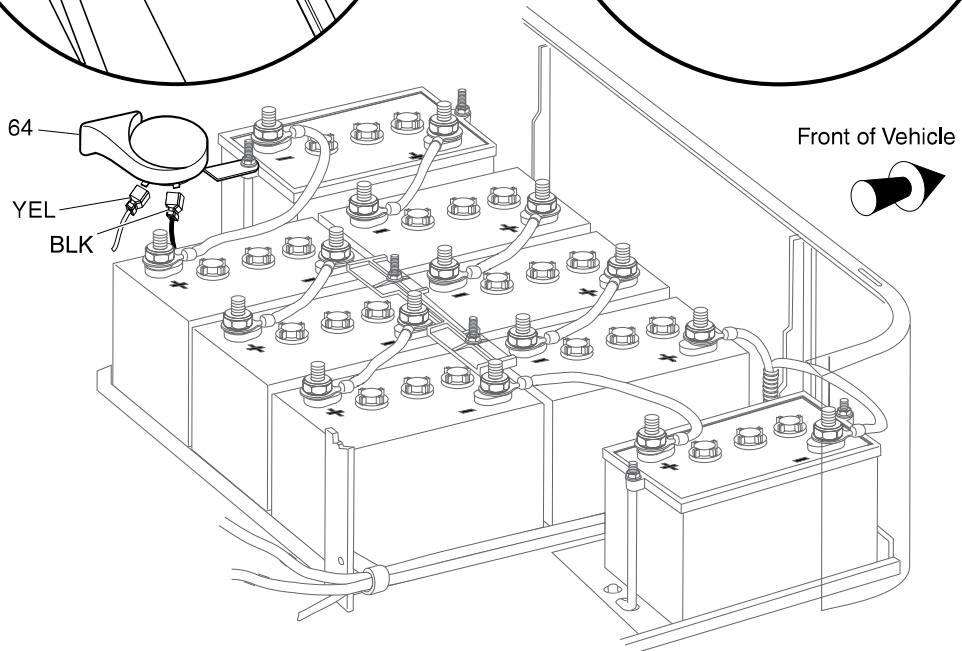
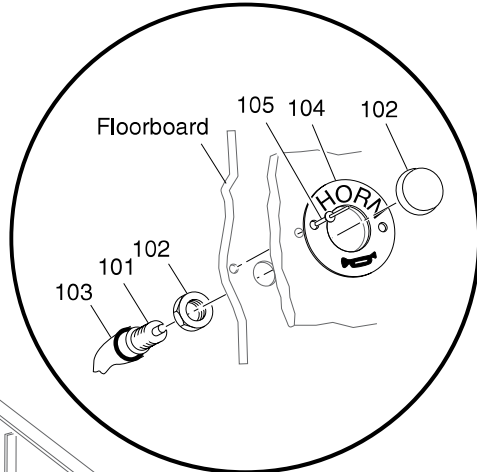
ELECTRICAL SYSTEM



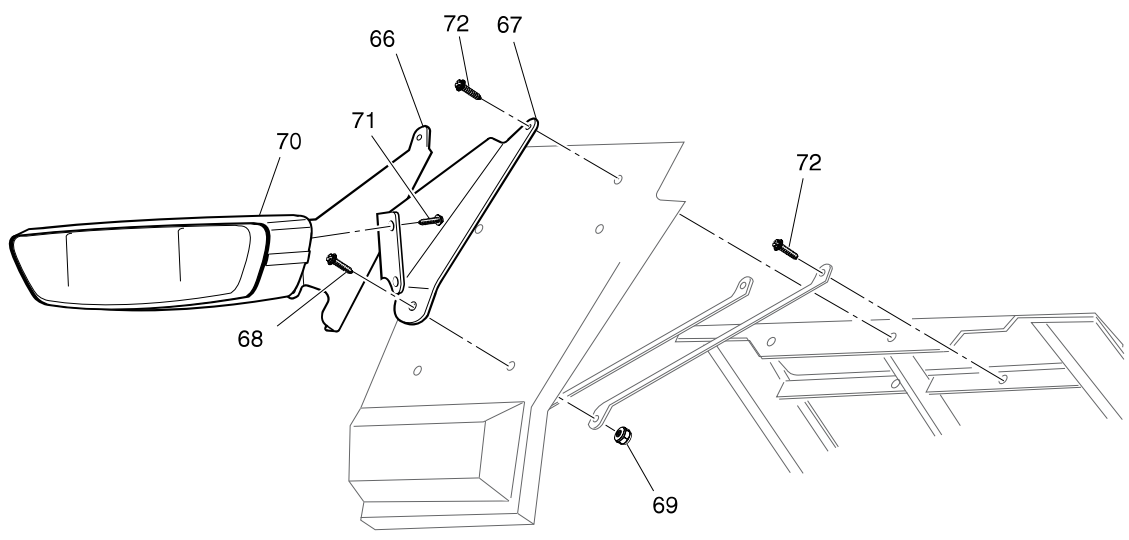
COLUMN MOUNTED HORN BUTTON



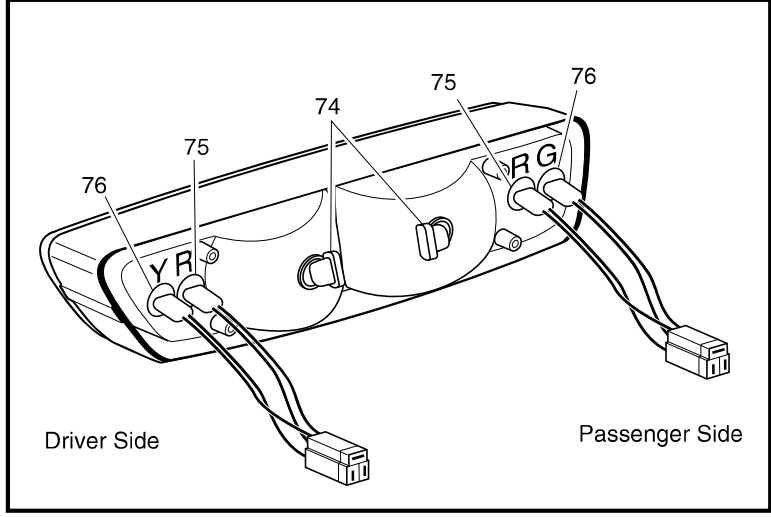
FLOOR MOUNTED HORN BUTTON



Ref Ele 7-3

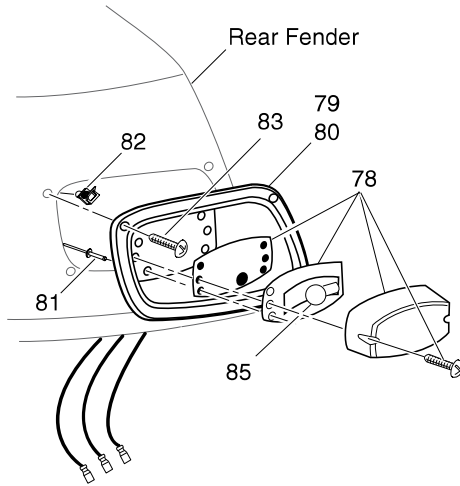


HEADLIGHT

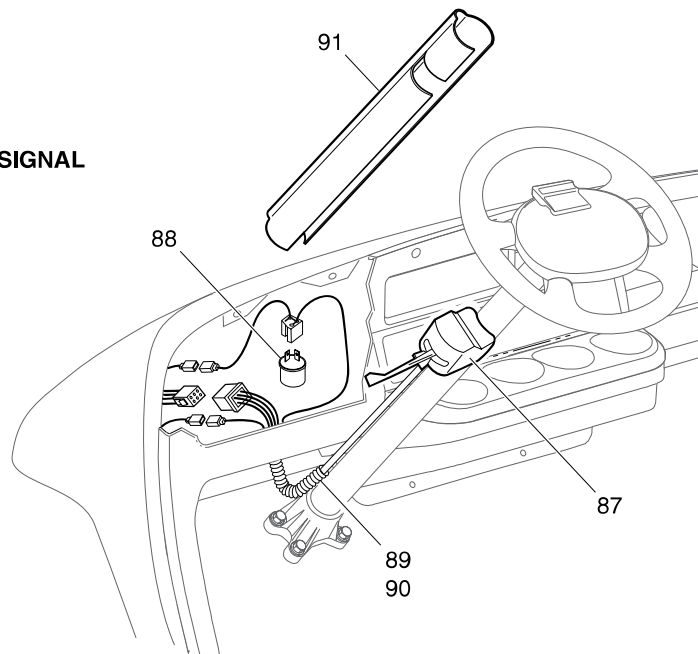


Ref Ele 7-4

ELECTRICAL SYSTEM



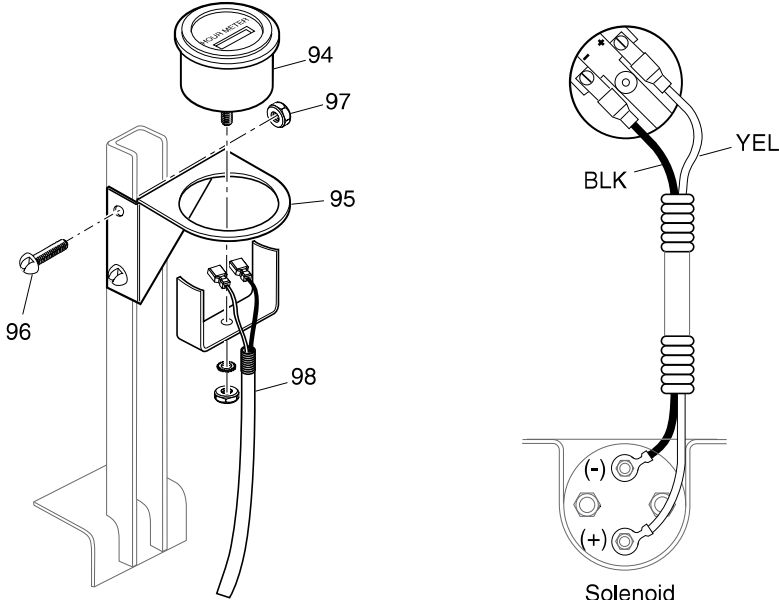
TURN SIGNAL



Ref Ele 7-5

HOUR METER

93 - Includes Items 94 - 98



Ref Ele 7-6

ELECTRICAL SYSTEM

THE USE OF NON U.L. PARTS WILL VOID ANY U.L. LISTING.

When ordering parts, please specify the model and serial number of the product.

* Indicates a component that is not available as an individual part.

G** Indicates consult Customer Service Department for additional information.

ITEM	PART NO.	1 2 3 4 5	DESCRIPTION	QTY.
1	73311-G0*		CHARGER HARNESS / RECEPTACLE (INCLUDES ITEMS 2 - 11)	1
2	73312-G0*		CHARGER HARNESS.....	1
3	73051-G30		CHARGER HARNESS RECEPTACLE (INCLUDES ITEMS 4 - 11)	1
4	73051-G22		RECEPTACLE BOTTOM	1
5	73051-G21		RECEPTACLE COVER.....	1
6	73051-G08		SCREW, #10 - 32 X 1/2" LG.....	2
7	73051-G09		SCREW, #6 - 32 X 1 3/4" LG.....	3
8	73051-G10		LOCK NUT, #6 - 32	3
9	73051-G28		REED SWITCH, ENCAPSULATED.....	1
10	73051-G23		FEMALE CONTACT	1
11	73051-G24		FEMALE CONTACT, INSULATED	1
12	71055-G01		RIVET, 3/16" X 1" LG	4
13				
14	25971-G08		4 GA WIRE (BLK 95") (DIRECTION SELECTOR - MOTOR: B - S1)	1
15	25971-G07		4 GA WIRE (BLK 90") (DIRECTION SELECTOR - MOTOR: D - S2)	1
16	25971-G09		4 GA WIRE (BLK 88") (ESC - MOTOR: A2 - A2)	1
17	25971-G10		4 GA WIRE (BLK 92 1/2") (ESC - MOTOR: B+ - A1).....	1
18	00567-G8		LOCK WASHER, 5/16".....	8
19	00532-G3		NUT, 5/16 - 18	8
20	27327-G0*		CLAMP	1
21	10570-G11		RIVET, 3/16" X 3/4" LG (STAINLESS STEEL)	1
22				
23	XXXXX-G**		6 VOLT BATTERY	8
24	70045-G01		BATTERY RETAINER	1
25	70121-G01		HOLD DOWN BOLT	2
26	11027-G1		LOCK NUT, 5/16 - 18	6
27	70386-G01		HOLD DOWN BOLT	4
28	70387-G01		BATTERY RETAINER	2
29				
30	25972-G40		6 GA WIRE (BLK 6")	4

ELECTRICAL SYSTEM

THE USE OF NON U.L. PARTS WILL VOID ANY U.L. LISTING.
 When ordering parts, please specify the model and serial number of the product.
 * Indicates a component that is not available as an individual part.
 G** Indicates consult Customer Service Department for additional information.

ITEM	PART NO.	1	2	3	4	5	DESCRIPTION	QTY.
31	23540-G1						6 GA WIRE (BLK 21")	2
32	11893-G1						6 GA WIRE (BLK 8 1/2")	1
33	00702-G2						NUT, 5/16 - 18	16
34								
35								
36	73030-G02						CONSOLE INSERT PLATE.....	1
37	71123-G02						LABEL, CONSOLE INSERT PLATE (WITHOUT LIGHTS)	1
38	71129-G01						LABEL, CONSOLE INSERT PLATE (WITH LIGHTS).....	1
39	33623-G02						RIVET, 3/16" X 3/8" LG	2
40	17421-G1						IGNITION SWITCH KIT (INCLUDES ITEMS 41 - 43).....	1
41	18602-G1						IGNITION SWITCH (WITHOUT LIGHTS, STANDARD KEY).....	1
42	00568-G6						LOCK WASHER, 3/4"	1
43	17137-G1						FACE NUT	1
44	17955-G1						IGNITION SWITCH (WITHOUT LIGHTS, NON-STANDARD KEY)	1
45	18027-G1						IGNITION SWITCH (WITHOUT LIGHTS, INDIVIDUALLY KEYED).....	1
46	33639-G01						IGNITION SWITCH (WITH LIGHTS, STANDARD KEY)	1
47	33639-G02						IGNITION SWITCH (WITH LIGHTS, NON-STANDARD KEY).....	1
48	33639-G03						IGNITION SWITCH (WITH LIGHTS, INDIVIDUALLY KEYED)	1
49	70828-G01						WIRE HARNESS (KEY SWITCH).....	1
50	17618-G1						WIRE TIE	6
51								
52	33636-G03						STATE OF CHARGE METER	1
53	25978-G74						18 GA WIRE (RED 6").....	1
54	74018-G02						WIRE HARNESS (STATE OF CHARGE METER)	1
55								
56	22674-G1						FUSE BLOCK.....	1
57	71010-G01						RIVET, 5/32" X 3/8" LG	2
58	18392-G1						FUSE, 15 AMP	3
59	73073-G01						WIRE HARNESS (ACCESSORY).....	1
60								

ELECTRICAL SYSTEM

THE USE OF NON U.L. PARTS WILL VOID ANY U.L. LISTING.

When ordering parts, please specify the model and serial number of the product.

* Indicates a component that is not available as an individual part.

G** Indicates consult Customer Service Department for additional information.

ITEM	PART NO.	1 2 3 4 5	DESCRIPTION	QTY.
61	28363-G01		HORN SWITCH.....	1
62	14601-G8		RIVET, 3/16" X 7/16" LG (ALUMINUM).....	2
63	20961-G3		STEERING COLUMN COVER.....	1
64	32860-G1		HORN.....	1
65				
66	74236-G01		HEADLIGHT MOUNT BRACKET (PASSENGER SIDE).....	1
67	74236-G02		HEADLIGHT MOUNT BRACKET (DRIVER SIDE)	1
68	00414-G6		BOLT, 1/4 - 20 X 3/4" LG	2
69	11027-G2		LOCK NUT, 1/4 - 20	2
70	74001-G01		HEADLIGHT AND TURN SIGNAL LIGHT BAR	1
71	00114-G6		SCREW, 1/4 - 20 X 3/4" LG.....	4
72	XXXXX-XX		SEE BODY SECTION	
73				
74	74004-G01		HEADLIGHT BULB	2
75	74005-G01		MARKER LIGHT BULB	2
76	74006-G01		TURN SIGNAL BULB.....	2
77				
78	22260-G2		TAILLIGHT ASSEMBLY	2
79	74371-G01		BEZEL (DRIVER SIDE).....	1
80	74371-G02		BEZEL (PASSENGER SIDE)	1
81	14601-G11		RIVET, 3/16" X 9/16" LG (ALUMINUM).....	4
82	71364-G02		'J' CLIP	8
83	71425-G01		COUNTERSUNK SCREW, #3 - 18 X 3/4" LG	8
84				
85	21759-G1		TAILLIGHT BULB	2
86				
87	17867-G1		TURN SIGNAL (WITH MOUNTING HARDWARE) (INCLUDES ITEM 88)	1
88	21640-G1		TURN SIGNAL FLASHER	1
89	32307-G3		FLEX LOOM, 3/8" X 8" LG	1
90	17618-G1		WIRE TIE	2

ELECTRICAL SYSTEM

THE USE OF NON U.L. PARTS WILL VOID ANY U.L. LISTING.
 When ordering parts, please specify the model and serial number of the product.
 * Indicates a component that is not available as an individual part.
 G** Indicates consult Customer Service Department for additional information.

ITEM	PART NO.	1	2	3	4	5	DESCRIPTION	QTY.
91	20965-G3						STEERING COLUMN COVER.....	1
92								
93	75113-G06						HOUR METER KIT (INCLUDES ITEMS 94 - 98).....	1
94	21573-G1						HOUR METER ASSEMBLY.....	1
95	74019-G01						HOUR METER BRACKET.....	1
96	00150-G4						SCREW, #10 - 24 X 1/2" LG.....	2
97	11098-G7						LOCK NUT, #10 - 24.....	2
98	75117-G04						WIRE HARNESS (HOUR METER).....	1
99								
100								
101	17318-G1						HORN SWITCH.....	1
102	17318-G2						HORN SWITCH CAP AND NUT.....	1
103	27068-G01						HORN SWITCH BOOT.....	1
104	19233-G1						HORN SWITCH LABEL.....	1
105	71055-G01						RIVET, 3/16" X 1" LG.....	2
106								
107								
108	73030-G06						CONSOLE INSERT PLATE.....	1
109	74320-G01						LABEL, DIRECTION SELECTOR AND STATE OF CHARGE METER.....	1
110	74322-G01						LABEL, LIGHTS, DIRECTION SELECTOR & STATE OF CHARGE METER.....	1
111	74323-G01						DIRECTION SELECTOR SWITCH.....	1
112	33638-G05						STATE OF CHARGE METER (VERTICAL).....	1
113	33623-G02						RIVET, 3/16" X 3/8" LG.....	2
114								
115	73334-G01						HARNESS (CONTROL).....	1
116								
117	73290-G02						BUZZER.....	1
118	71045-G01						RIVET, 5/32" X 3/4" LG.....	2