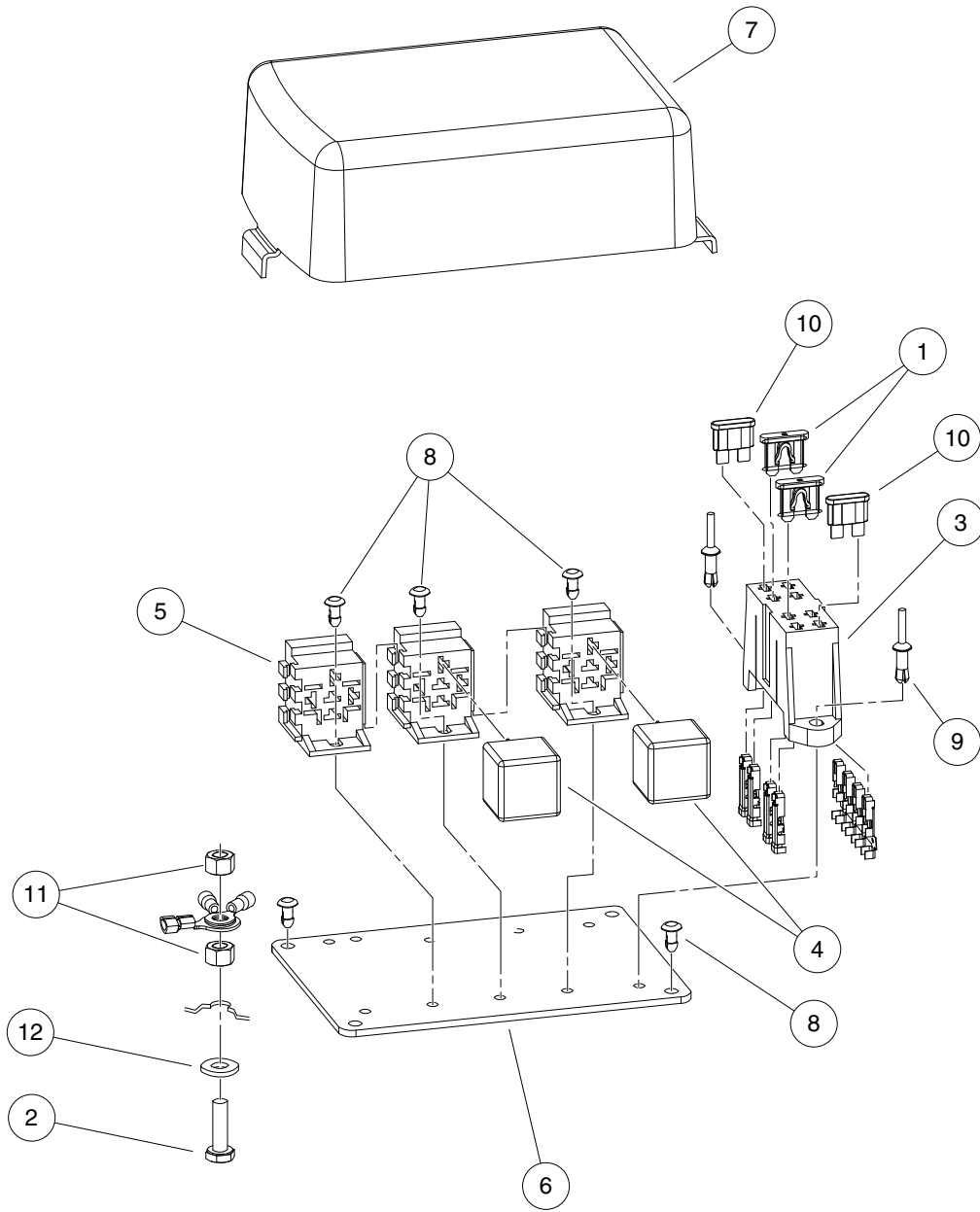


7

G

D



000076-001

ELECTRICAL COMPONENT BOX, GASOLINE VEHICLES

ITEM	PART NO.	DESCRIPTION	QTY
		1 2 3 4	
1	1012295	Fuse, 10-Amp	2
2	N/A	Screw, 1/4-20 X .88 Hex Hd Cap	1
3	1015741	Fuse Block	1
4	102420201	Relay, Mini ISO, SPDT	2
5	****	Connector, Relay	3
6	102420401	Plate, Electrical	1
7	102420501	Cover, Electrical	1
8	102447901	Fastener, Push-in	7
9	102448001	Rivet, Drive	2
10	102492201	Fuse, 25-Amp	2
11	1108	Locknut, 1/4-20 Dimpled	2
12	332	Washer, 1/4 Type A Narrow Flat	1
**** Special order item available upon request.			

7

G

D