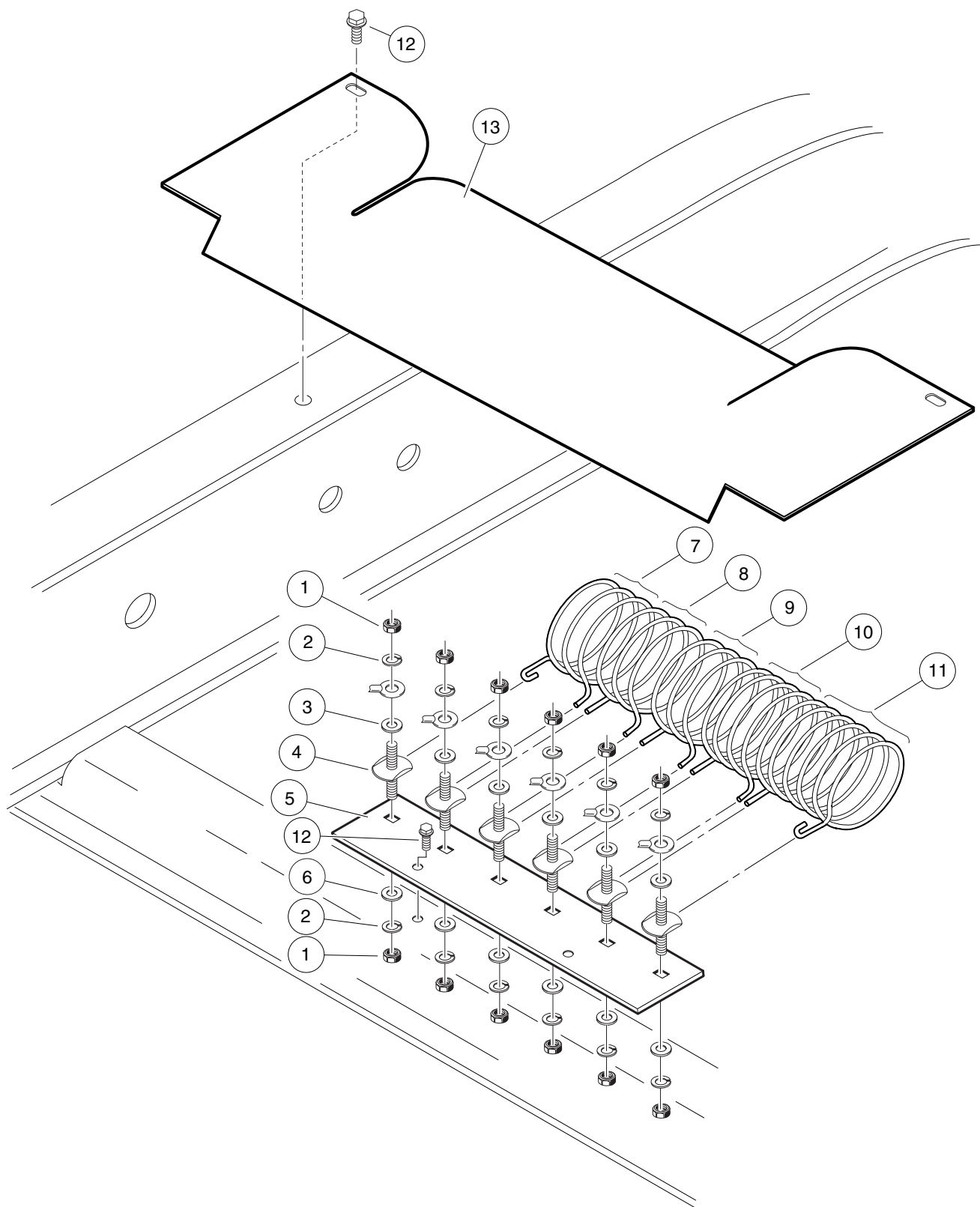


E

12



RESISTOR AND BOARD ASSEMBLY 36 VOLT V-GLIDE VEHICLE

ITEM	PART NO.	DESCRIPTION	QTY
		1 2 3 4	
1	0001028	NUT, HEX 1/4 - 20	12
2	0000451	WASHER, LOCK, 1/4	12
3	1011931	WASHER, FLAT, 1/4	6
4	1014045	STAND-OFF, RESISTOR COIL	6
5	1014728	BOARD, RESISTOR MOUNTING	1
6	0000332	WASHER, FLAT, 1/4	6
7	1014655	COIL, RESISTOR	1
8	1014654	COIL, RESISTOR	1
9	1014013	COIL, RESISTOR	1
10	1014014	COIL, RESISTOR	1
11	1014729	COIL, RESISTOR	1
12	1012285	SCREW, THREAD ROLLING 1/4 - 20 x 5/8	4
13	1013971	SHIELD, RESISTOR	1

E

12