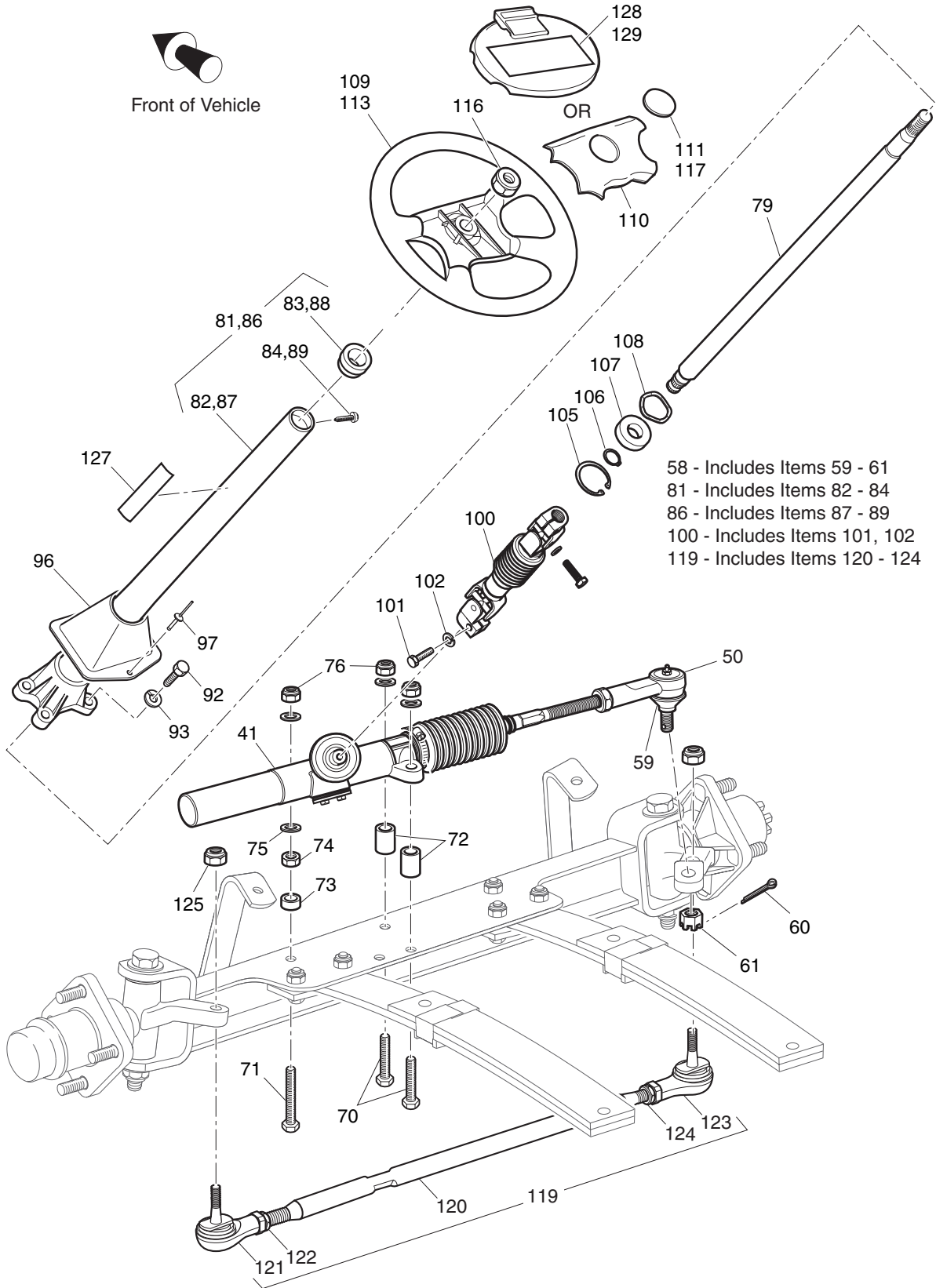


FRONT SUSPENSION/STEERING



Ref Fss 17-2

FRONT SUSPENSION/STEERING

Where applicable, THE USE OF NON UL PARTS WILL VOID ANY UL LISTING.

When ordering parts, please specify the model and serial number of the product.

* Indicates a component that is not available as an individual part.

G** Indicates consult Customer Service Department for additional information.

ITEM	PART NO.	1	2	3	4	5	DESCRIPTION	QTY.
1	602513						FRONT AXLE	1
2								
3	70942-G03						SPINDLE AND HUB ASSEMBLY, 4 LUG (PASSENGER SIDE) (INCLUDES ITEMS 4 - 13).....	1
4	70940-G04						SPINDLE ASSEMBLY (PASSENGER SIDE) (INCLUDES ITEMS 5 - 6).....	1
5	70648-G01						BEARING	1
6	70749-G01						BEARING, DP4.....	1
7	25146-G1						GREASE SEAL.....	1
8	50892-G1						ROLLER BEARING AND RACE ASSEMBLY.....	2
9	70589-G1						WHEEL HUB ASSEMBLY WITH RACES, 4 LUG (INCLUDES ITEM 10)	1
10	19862-G1						LUG BOLT, 1/2 - 20 X 1 7/32" LG.....	4
11	12093-G1						SLOTTED NUT, 1 - 14	1
12	00798-G8						COTTER PIN, 5/32" X 1 3/4" LG	1
13	12091-G2						SPINDLE CAP	2
14								
15								
16	70673-G03						SPINDLE AND HUB ASSEMBLY, 4 LUG (DRIVER SIDE) (INCLUDES ITEMS 7 - 13 & 17)	1
17	70742-G02						SPINDLE ASSEMBLY (DRIVER SIDE) (INCLUDES ITEMS 5 - 6)	1
18	00407-G6						BOLT, 1/2 - 13 X 6" LG	2
19	00560-G3						WASHER, 1/2"	4
20	70745-G01						KING PIN TUBE	2
21	70754-G01						THRUST WASHER (STAINLESS STEEL).....	2
22	14390-G6						LOCK NUT, 1/2 - 13	2
23								
24								
25	76419-G01						SHOCK ABSORBER.....	2
26								
27								
28	10435-G1						SHOCK ABSORBER WASHER.....	8
29	10194-G1						RUBBER SHOCK ABSORBER BUSHING	8

FRONT SUSPENSION/STEERING

Where applicable, THE USE OF NON UL PARTS WILL VOID ANY UL LISTING.

When ordering parts, please specify the model and serial number of the product.

* Indicates a component that is not available as an individual part.

G** Indicates consult Customer Service Department for additional information.

ITEM	PART NO.	1 2 3 4 5	DESCRIPTION	QTY.
30	00532-G6		NUT, 3/8 - 24	4
31	10044-G01		VINYL CAP	4
32				
33				
34	70664-G03		LEAF SPRING (HEAVY DUTY) (SEE PART NUMBER ON SPRING).....	2
35	70163-G03		SPRING PLATE	4
36				
37	00734-G1		LOCK NUT, 7/16 - 14	11
38	00463-G11		BOLT, 7/16 - 14 X 1 3/4" LG	11
39				
40				
41	70964-G02		RACK AND PINION UNIT (COMPLETE) (INCLUDES ITEMS 42 - 65)	1
42	70965-G01		STEERING RACK COVER & BEARING	1
43	*		STEERING BOX INSTALLATION TAG	1
44	*		JAM NUT, 1/2 - 20.....	1
45	70750-G01		RETAINING RING (EXTERNAL)	1
46	15115-G1		BALL BEARING	1
47	70603-G01		PINION.....	1
48	70751-G01		RETAINING RING (INTERNAL)	1
49	70638-G01		SEAL PINION	1
50	70604-G01		RACK STEERING.....	1
51	01053-G01		SCREW, 10- 32.....	1
52	70590-G01		RACK LOADER	1
53	70666-G01		SPRING COMPRESSION	1
54	70645-G01		GASKET RACK LOADER.....	1
55	70591-G01		COVER RACK LOADER	1
56	71102-G01		SCREW, 1/4 - 20.....	2
57	10389-G3		GREASE FITTING, STRAIGHT	1
58	70695-G01		RACK BALL JOINT (INCLUDES ITEMS 59 - 61).....	1
59	50641-G1		RUBBER BOOT	1

FRONT SUSPENSION/STEERING

Where applicable, THE USE OF NON UL PARTS WILL VOID ANY UL LISTING.

When ordering parts, please specify the model and serial number of the product.

* Indicates a component that is not available as an individual part.

G** Indicates consult Customer Service Department for additional information.

ITEM	PART NO.	1	2	3	4	5	DESCRIPTION	QTY.
60	50209-G2						SLOTTED NUT, 7/16 - 20.....	1
61	10387-G2						COTTER PIN, 3/32" X 1" LG.....	1
62	74694-G01						ROD END (INNER).....	1
63	70961-G01						RACK BOOT.....	1
64	12416-G2						WIRE TIE.....	1
65	11391-G8						WIRE TIE.....	1
66								
67								
68								
69								
70	00464-G6						BOLT, 7/16 - 14 X 2 3/4" LG.....	2
71	01068-G01						BOLT, 7/16 - 14 X 3 1/2" LG.....	1
72	70667-G02						SPACER.....	2
73	70667-G03						SPACER (SHORT).....	1
74	00532-G7						NUT, 7/16 - 14.....	1
75	00560-G2						FLAT WASHER, 7/16".....	4
76	00734-G1						LOCK NUT, 7/16 - 14.....	3
77								
78								
79	70607-G01						STEERING SHAFT.....	1
80								
81	70758-G06						STEERING COLUMN KIT (INCLUDES ITEMS 82 - 84).....	1
82	70610-G03						STEERING COLUMN.....	1
83	28569-G01						STEERING COLUMN BUSHING.....	1
84	01022-G01						SCREW, #6 - 20 X 5/16" LG.....	1
85								
86	70758-G08						STEERING COLUMN KIT (HORN) (INCLUDES ITEMS 87 - 89).....	1
87	70610-G04						STEERING COLUMN.....	1
88	28569-G01						STEERING COLUMN BUSHING.....	1
89	01022-G01						SCREW, #6 - 20 X 5/16" LG.....	1

FRONT SUSPENSION/STEERING

Where applicable, THE USE OF NON UL PARTS WILL VOID ANY UL LISTING.

When ordering parts, please specify the model and serial number of the product.

* Indicates a component that is not available as an individual part.

G** Indicates consult Customer Service Department for additional information.

ITEM	PART NO.	1 2 3 4 5	DESCRIPTION	QTY.
90				
91				
92	01006-G01		BOLT, 3/8 - 16 X 1 1/4" LG	4
93	00879-G1		LOCK WASHER, 3/8"	4
94				
95				
96	70997-G01		COVER.....	1
97	71055-G01		RIVET, 3/16" X 1" LG (ALUMINUM).....	1
98				
99				
100	70580-G01		INTERMEDIATE SHAFT (INCLUDES ITEMS 101, 102).....	1
101	01055-G01		BOLT, M8 X 1.25 - 05.....	2
102	00565-G8		LOCK WASHER, 5/16"	2
103				
104				
105	70751-G01		RETAINING RING (INTERNAL).....	1
106	70888-G01		RETAINING RING (EXTERNAL).....	1
107	15112-G1		BALL BEARING	1
108	70887-G01		WAVE WASHER.....	1
109	602980		STEERING WHEEL	1
110	71147-G01		STEERING WHEEL COVER	1
111	74815-G01		LABEL (E-Z-GO)	1
112				
113	602979		STEERING WHEEL	1
114				
115				
116	14390-G2		LOCK NUT, 5/8 - 18	1
117	28909-G01		LABEL (JACOBSEN)	1
118				
119	70876-G02		TIE ROD ASSEMBLY (INCLUDES ITEMS 120 - 124).....	1