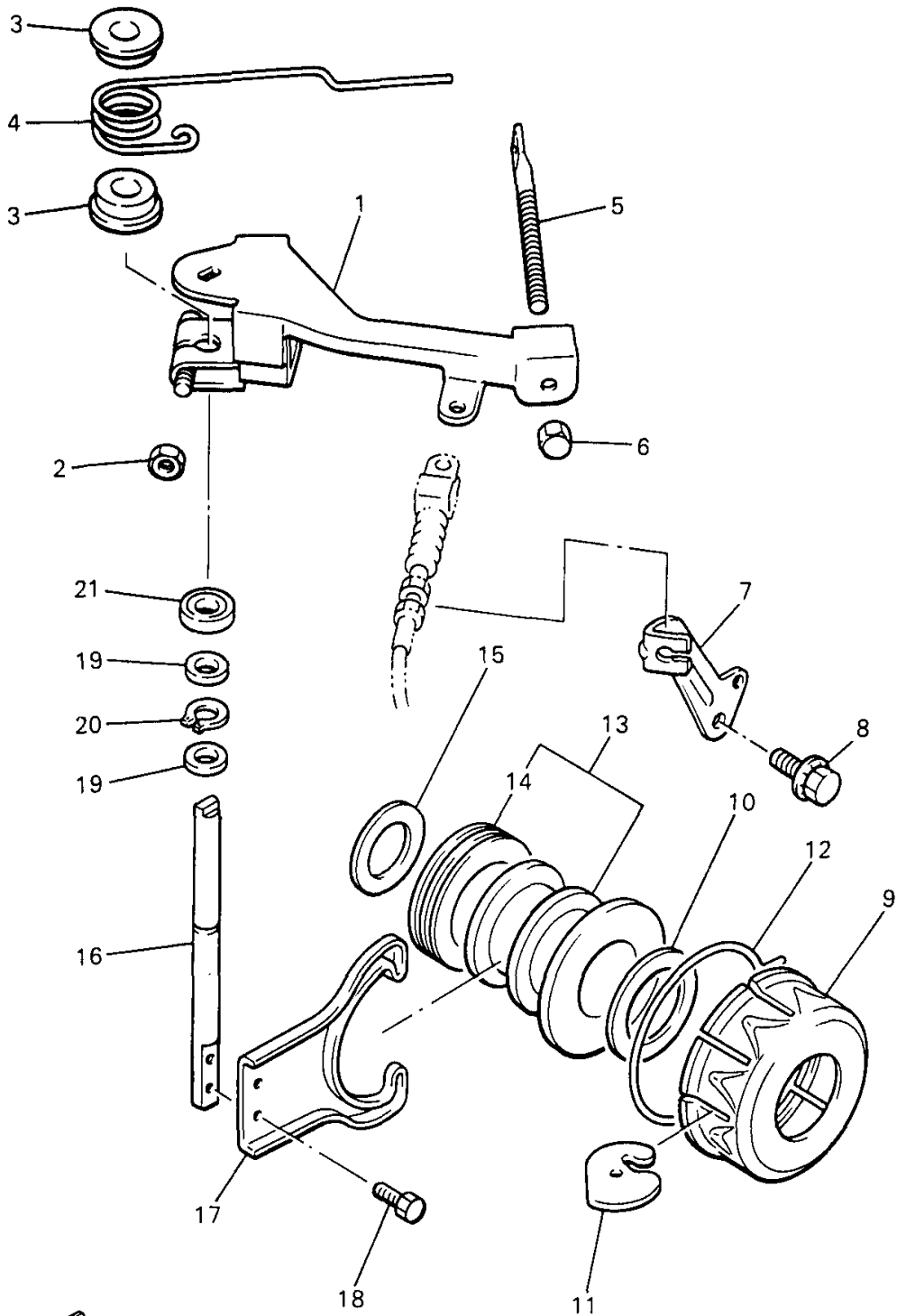


GOVERNOR



Ref. No.	Part Number	Description	Qty	Remarks
1	J38-27951-00-00	LEVER, SPEED	1	
2	95317-06600-00	NUT (95307-06600-00)	1	
3	90386-08141-00	BUSH	2	
4	90508-40678-00	SPRING, TORSION	1	
5	J38-27959-00-00	SCREW, ADJUSTING	1	
6	95607-06200-00	NUT, SELF U-FLANGE	1	
7	J38-27982-00-00	BRACKET, WIRE	1	
8	95817-08016-00	BOLT, FLANGE	1	
9	J10-27912-00-00	RETAINER	1	
10	90387-21690-00	COLLAR	1	
11	J10-27913-00-00	WEIGHT	12	
12	J10-27911-00-00	HOLDER	1	
13	J10-27927-00-00	LIFTER	1	
14	93342-22502-00	. BEARING, THRUST	1	
15	90201-20275-00	WASHER, PLATE	1	
16	J38-27921-00-00	SHAFT, GOVERNOR	1	
17	J10-27922-00-00	FORK, GOVERNOR	1	
18	91317-04008-00	BOLT	2	
19	90202-08110-00	WASHER, PLATE	2	
20	99009-06600-00	CIRCLIP	1	
21	93109-08050-00	OIL SEAL	1	



JN3100-5190

