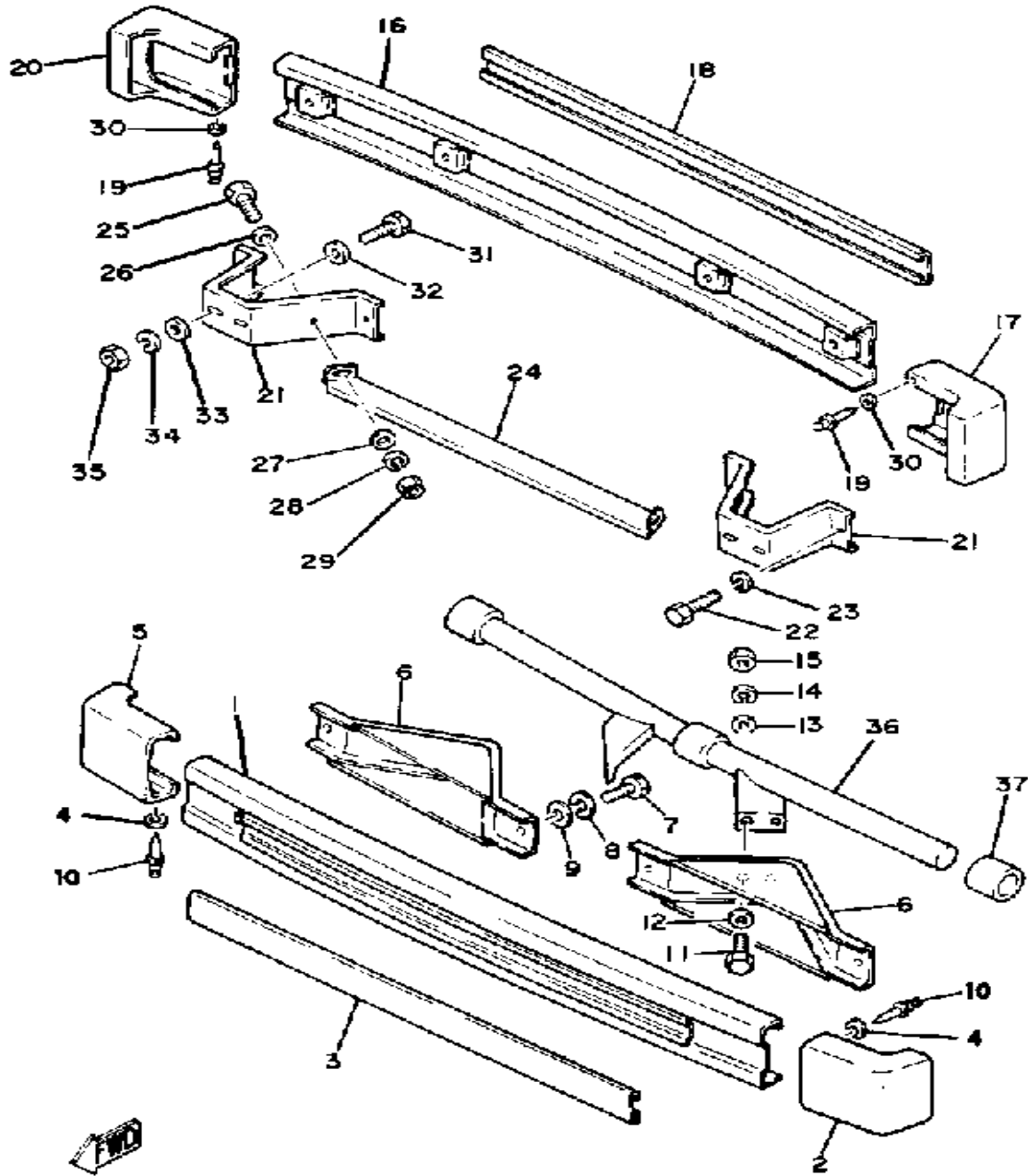


# BUMPER



Ref. No.	Part Number	Description	Qty	Remarks
1	J10-78106-09-00	BUMPER SB/ASSEMBLY, FRT (J10-78106-02-93)	1	CHROME PLATED
2	J10-78168-01-00	BUMPER, RUBBER 2	1	
3	J10-78162-01-00	PAD, FRONT BUMPER	1	
4	90267-40077-00	. RIVET, BLIND	8	292
	90267-40M00-00	RIVET, BLIND	4	
5	J10-78167-01-00	BUMPER, RUBBER 1	1	
6	J10-78164-01-00	STAY, FRT BUMPER 1	2	
7	97313-08016-00	BOLT, HEXAGON	4	
8	92990-08100-00	WASHER	4	
9	92901-08600-00	WASHER	4	
10	90201-04325-00	WASHER, PLATE	8	
	92906-04200-00	WASHER, PLAIN	4	
11	97013-08025-00	BOLT	4	
	97313-08020-00	BOLT, HEXAGON	4	292
12	92901-08600-00	WASHER	4	
13	90201-085E6-00	WASHER PLATE	4	292
	92990-08200-00	WASHER, PLAIN	4	
14	92990-08100-00	WASHER	4	
15	95333-08600-00	. NUT	4	
16	J10-78107-09-00	BUMPER SB/ASSEMBLY, RR (J10-78107-02-93)	1	CHROME PLATED
17	J10-78167-01-00	BUMPER, RUBBER 1	1	
18	J10-78162-01-00	PAD, FRONT BUMPER	1	
19	90267-40077-00	RIVET, BLIND	8	292
	90267-40M00-00	RIVET, BLIND	4	
20	J10-78168-01-00	BUMPER, RUBBER 2	1	
21	J42-78174-00-00	STAY, REAR BUMPER (J10-78174-01)	2	
22	97313-08016-00	BOLT, HEXAGON	4	

CONTINUED ON NEXT FRAME ►

