



2018 Carryall 510 LSV and Carryall 710 LSV Illustrated Parts List



Electric Low-Speed Vehicle (LSV)

Manual Number 105344124
Edition Code _D

USING THE ILLUSTRATED PARTS LIST

⚠ WARNING

- **This manual is to be used only for identification and ordering of service parts. Be sure to read and use the maintenance and service manual before attempting any vehicle repairs.**

The manual is divided into sections. Note that there are two or three flags on the outside edge of each page. The first flag contains the section number of which that page is a part. The other flag contains the letter E, signifying that the page pertains to electric vehicles only.

Use the Table of Contents to find the sections and pages that contain the parts and assemblies you seek. The Table of Contents lists section numbers, and under them, the individual page titles and numbers to be found in that section. The index can be used to find specific parts and assemblies. The index is divided into numerical and alphabetical listings with the page numbers in italic text.

There is a two-page spread for each individual page title in the Table of Contents. On the left-hand page is an illustration showing the parts in their relative positions; the parts are each tagged with an item number in a balloon. The right-hand page is the parts list page, and gives the page title at the top, then the item numbers (corresponding to the numbers on the illustration), part descriptions, and quantity of parts used.

Note that a part description may be indented. This indentation corresponds to a parts assembly level indicated by the numbers 1, 2, 3, and 4 at the top left corner of the parts description area of the parts list page. A part that is indented to *level 2* is a component of the *level 1* part (assembly) that it is listed under. A *level 3* part is a component of the *level 2* part that it is listed under, and a *level 4* part is a component of the *level 3* part preceding it. In each case, the part quantity given for a level 2, 3, or 4 part is *the quantity used per next higher level assembly of which it is a component*. A part that is not indented is a *level 1* part. This means that the quantity given is the quantity used per the portion of the vehicle illustrated on that particular spread.



P. O. Box 204658
Augusta, Georgia 30917-4658 USA
Telephone 706-863-3000
Service Parts Fax 706-855-7413
www.clubcar.com

HOW TO ORDER PARTS

Replacement parts and accessories can be obtained from our network of authorized dealers and distributors. You can obtain the name and phone number of your closest authorized Club Car dealer or distributor by visiting our web site at www.clubcardealer.com, by calling our toll-free Service Parts and Technical Assistance hotline at (800) 872-2246 or (706) 863-3000, extension 3887, or by scanning this Quick Response (QR) code to be taken to the Club Car dealer locator. **Refer to Figure 1.** Download a QR code reader such as RedLaser or Barcode Scanner to your cell phone or tablet.



Figure 1 Dealer Locator QR Code

CUSTOMER SATISFACTION SURVEY

Let your voice be heard!

Please take time to participate in the Technical Publications satisfaction survey. Obtaining feedback from our customers is important to the department's continuous improvement process. The online survey takes less than five minutes and responses will help the department to examine current performance as well as identify areas for future improvement.

Our top priority is to provide timely, accurate, and user friendly manuals.

The online satisfaction survey can be found at: <http://bit.ly/1w9uFMh>



Figure 2 Survey QR Code

NOTE: *This illustrated parts list represents the most current information at the time of publication. Club Car, LLC is continually working to further improve its vehicles and other products. These improvements may affect the parts used to service the vehicle. Any modification and/or significant change in specifications will be forwarded to all Club Car and Carryall distributors/dealers and will, when applicable, appear in future editions of this illustrated parts list.*

Club Car, LLC reserves the right to change specifications and designs at any time without notice and without the obligation of making changes to units previously sold.

Copyright © 2018 Club Car, LLC.

Club Car is a registered trademark of Club Car, LLC.

This manual effective July 1, 2018.

2018 Carryall 510 and Carryall 710 LSV Illustrated Parts List

CONTENTS

SECTION 1 – BODY AND TRIM

Second Generation Utility Brush Guard	1-3
Headlight Guard	1-5
Fender Guard	1-7
Front License Plate Holder	1-9
Front Body	1-11
Body Touch-Up Paint	1-13
Front Bumper, Grille, and Fenders	1-15
Headlight Bezels	1-17
Dash, Glovebox Door, and Floormat	1-19
Front Frame, Standard	1-21
Bucket Seats and Frame	1-23
Inner Rear Fenders	1-25
Rear Fenders and Tail Skirt	1-27
Bed Hinge, Latch, and Prop Rod – Medium	1-29
Tilt Bed (Long) Hinge – Electric Vehicle	1-31
Long Bed Hinge Spacer Kit – Vehicle with CAB	1-33
Tilt Bed and Bed Latch – Medium	1-35
Tilt Bed – Long	1-37
Electric Bed Lift – Medium, Electric Vehicles	1-39
Electric Bed Lift, Long – Electric Vehicles	1-41
Latch Plate	1-43
Flat Bed Trim – Medium	1-45
Flat Bed Trim – Long	1-47
Cargo Box Kit – Medium (Page 1 of 2)	1-49
Cargo Box Kit – Long (Page 1 of 2)	1-51
Cargo Box Kit (Page 2 of 2)	1-53
Tailgate Teather	1-55
Stake Side Kit – Long	1-57
Modular Bed Accessories	1-59
Modular Bed Accessories	1-61
Modular Bed Accessories	1-63
Stake Side Kit – Medium	1-65
Heavy Duty Trailer Hitch	1-67
Rear Receiver Hitch	1-69
Trailer Hitch Ball	1-71
Cab Doors – Glass with LH Sliding Window	1-73
Cab Roof	1-75
Cab Doors – Glass with LH & RH Sliding Windows	1-77

CONTENTS

Hardware Kit, Door Striker	1-79
Cab Doors – Vent	1-81
Cab - Mirrors	1-83
Cab – Windshield (LSV)	1-85
Cab – 3-Point Seat Belts (LSV)	1-87
Cab – Electrical, Power Harness, Electric Vehicle to Cab	1-89
Cab – Electrical, Overhead Console	1-91
Cab – Electrical, Windshield Wiper	1-93
Cab – Electrical, Windshield Washer	1-95
Cab – Electrical, Work Lights	1-97
Cab – Electrical, Warning Beacon	1-99
Cab – Rear Window Screen	1-101
Cab – Rear Window with Slider	1-103
Cab – Rear Window, One-Piece	1-105
Van Box – Gray	1-107
Van Box – White	1-109
Van Box, Long – Gray	1-111
Van Box, Long – White	1-113
Van Box, Long – Service Parts	1-115
Van Box, Medium – Service Parts	1-117
Van Box – No Windows	1-119
Van Box – No Windows	1-121
Toolboxes	1-123

SECTION 2 – WHEELS AND TIRES

Wheels and Tires	2-3
Wheel Covers	2-5

SECTION 3 – DECALS

Decals – Electric Carryall 510 and 710	3-3
Decals – Electric Carryall 510 and 710, Continued	3-5
Badging Decals – Carryall 510	3-7
Badging Decals – Carryall 710	3-9

SECTION 4 – LIGHTS, CONTROLS, AND INDICATORS

Slow Moving Vehicle Triangle	4-3
Headlights	4-5
12-Volt Fuse Block and Fuses – Electric Vehicle	4-7
Horn, Turn Signals, and Taillights – Electric and Gasoline Vehicles	4-9

CONTENTS

Instrument Panel - LSV (Domestic)	4-11
Keyswitch, Private Speed Mode - Electric Vehicle	4-13
Rear Mounted Reverse Buzzer	4-15
Rear-ViewCamera	4-17
DC/DC Converter – Electric Vehicle	4-19
Reflectors	4-21
Heater Defogger – Electric Vehicle	4-23

SECTION 5 – BRAKES, PEDALS, AND CABLE ASSEMBLIES

Hydraulic Front Drum Brake Assembly – Driver-Side	5-3
Hydraulic Front Drum Brake Assembly – Pass-Side	5-5
Brake Pedal Assembly	5-7
Accelerator Pedal Assembly – Electric Vehicles	5-9
Pedal Close-Out Kit	5-11
Master Cylinder, Bell Crank, and Brake Lines – CA510	5-13
Hand Brake Assembly – CA510	5-15
Master Cylinder, Bell Crank, and Brake Lines – CA710	5-17
Hand Brake Assembly – CA710	5-19
Hydraulic Rear Brake Assembly	5-21

SECTION 6 – STEERING, FRONT AND REAR SUSPENSION

Steering Gear Assembly	6-3
Steering Column	6-5
Steering Wheel	6-7
Steering Wheel with Clip	6-9
Front Suspension, Upper, HYD	6-11
Front Suspension, Lower, HYD, Drums 3 Leaf, 1 Plate	6-13
Steering Stop	6-15
Front Wheel Hubs	6-17
Rear Suspension Components	6-19

SECTION 7 – ELECTRICAL SYSTEM – ELECTRIC VEHICLES

Motor Controller Output Regulator (MCOR)	7-3
Main Wiring Harness, 48-Volt Fuse Block - CA510	7-5
Main Wiring Harness, 48-Volt Fuse Block - CA710	7-7
Tow/Run Switch	7-9
Electric Components – CA510	7-11
Electric Components – CA710	7-13
Batteries 6-Volt, Standard Duty - CA510	7-15

CONTENTS

Batteries 6-Volt, Heavy Duty - CA510	7-17
Batteries 6-Volt, Standard Duty - CA710	7-19
Batteries 6-Volt, Heavy Duty - CA710	7-21
Single Point Watering System (SPWS)	7-23
Single Point Watering System (SPWS) – CA510	7-25
Hand Pump and Deionizer (Battery-Powered Quality Light)	7-27

SECTION 8 – ELECTRIC MOTOR

AC Motor	8-3
----------------	-----

SECTION 9 – TRANSAXLE – ELECTRIC VEHICLES

Transaxle – Electric Vehicles	9-3
-------------------------------------	-----

SECTION 10 – BATTERY CHARGERS – HIGH-FREQUENCY

Onboard Battery Charger, High-Freq. - CA510	10-3
Onboard Battery Charger, High-Freq. - CA710	10-5

SECTION 11 – MAINTENANCE AND SERVICE TOOLS

Maintenance and Service Tools	11-3
Maintenance and Service Tools, Continued	11-5
Maintenance and Service Tools, Continued	11-7

SECTION i – INDEX

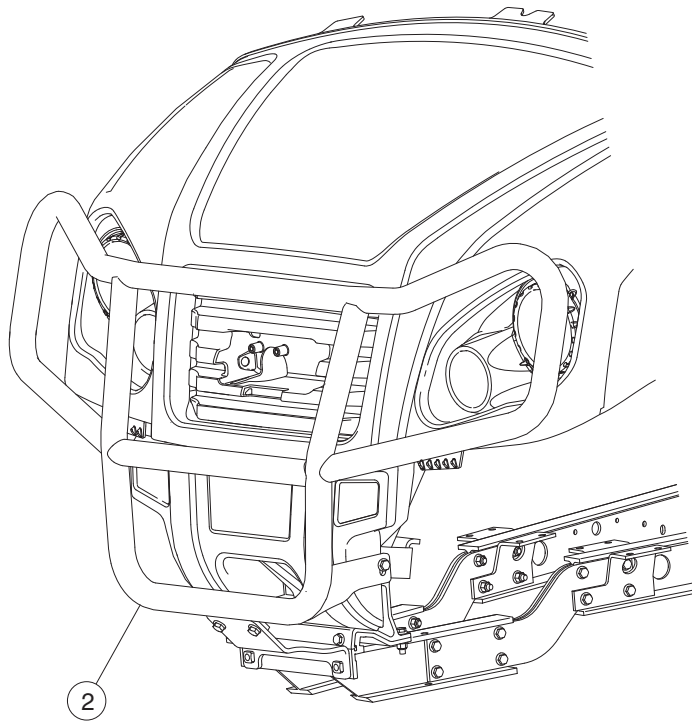
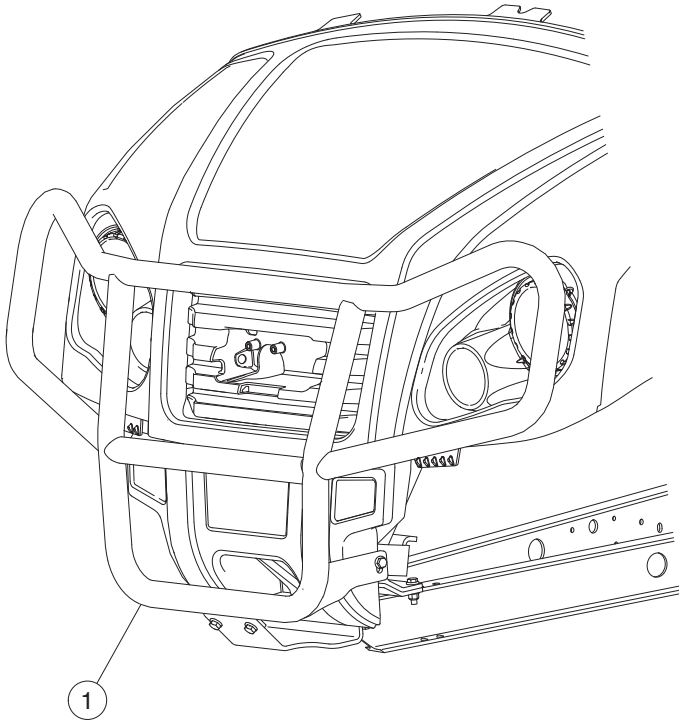
BODY AND TRIM

1

E

1

E



001100-003

SECOND GENERATION UTILITY BRUSH GUARD

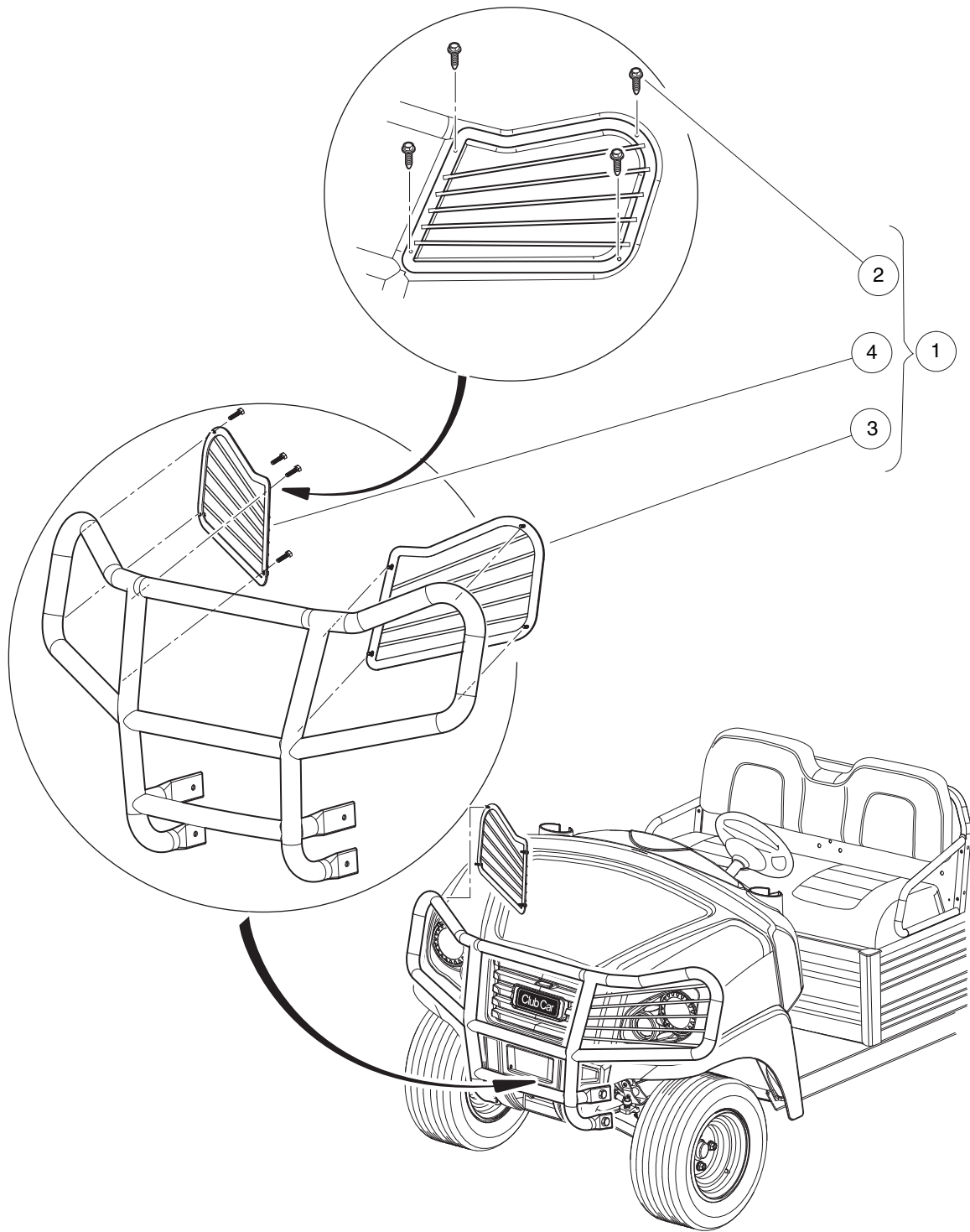
ITEM	PART NO.	DESCRIPTION	QTY
		1 2 3 4	
1	<u>47605991002</u>	Kit, Brush Guard, Non-lifted	1
2	<u>47605991004</u>	Kit, Brush Guard, Lifted	1
		Note: Individual components are not procurable.	

1

E

1

E



001300-017

HEADLIGHT GUARD

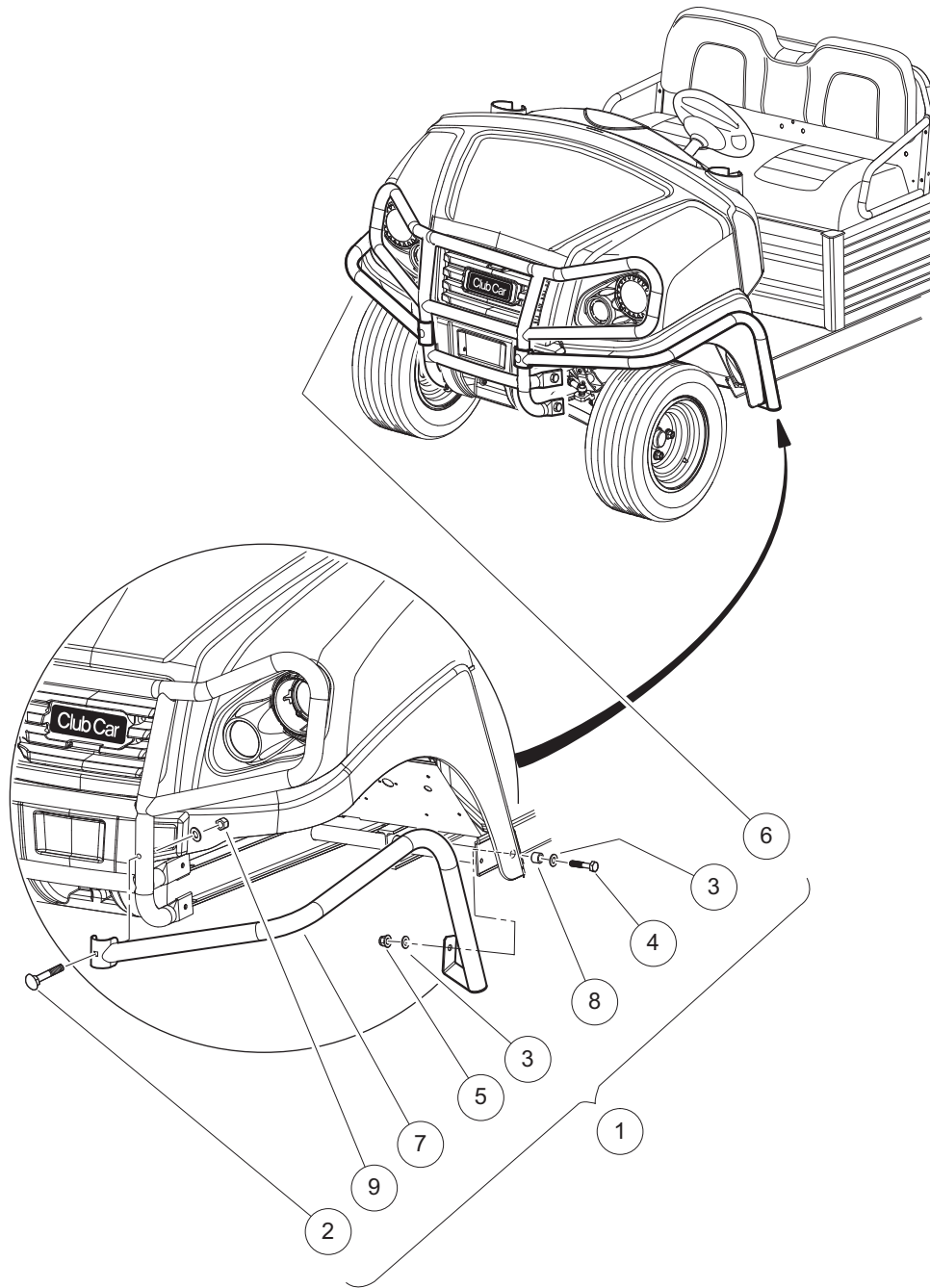
ITEM	PART NO.	DESCRIPTION	QTY
		1 2 3 4	
1	<u>105156301</u>	Kit, Head Light Guard, Utl Res (includes items 2 through 4)	1
2	<u>102296819</u>	Screw-M6 x 19	8
3	<u>105156701</u>	Guard, Headlight, UTL,LH	1
4	<u>105156702</u>	Guard, Head Light, Utl, Rh	1

1

E

1

E



001300-002

FENDER GUARD

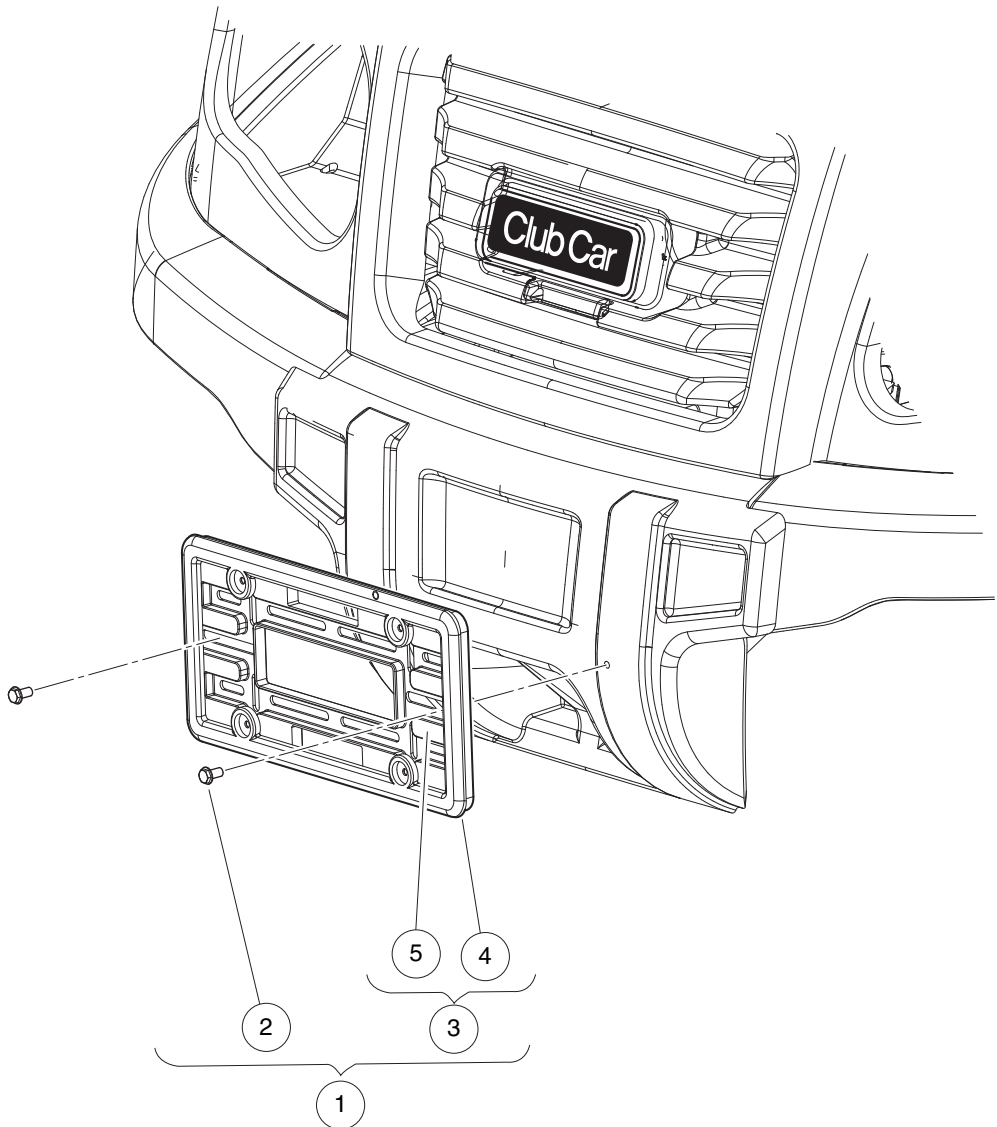
ITEM	PART NO.	DESCRIPTION	QTY
		1 2 3 4	
1	<u>105124001</u>	Kit, Fender Guard, Hb Res (includes items 2 through 9)	1
2	101242802	Bolt, 3/8-16 X 2.25 Rd Hd Sq Bk	2
3	<u>102323501</u>	Washer, Flat, 3/8, Blk Fin	6
4	<u>102621601</u>	Bolt, M10 X 1.50 X 45 Black	2
5	<u>102670701</u>	Nut, Flange, M10 X 1.5 Nylon	2
6	105074501	Weldment, Fender Guard, Hb, Rh	1
7	105074502	Weldment, Fender Guard, Hb, Lh	1
8	<u>105094001</u>	Spacer, Canopy Support, Dash	2
9	<u>8754</u>	Locknut, 3/8-16 Hex	2

1

E

1

E



001155-001

FRONT LICENSE PLATE HOLDER

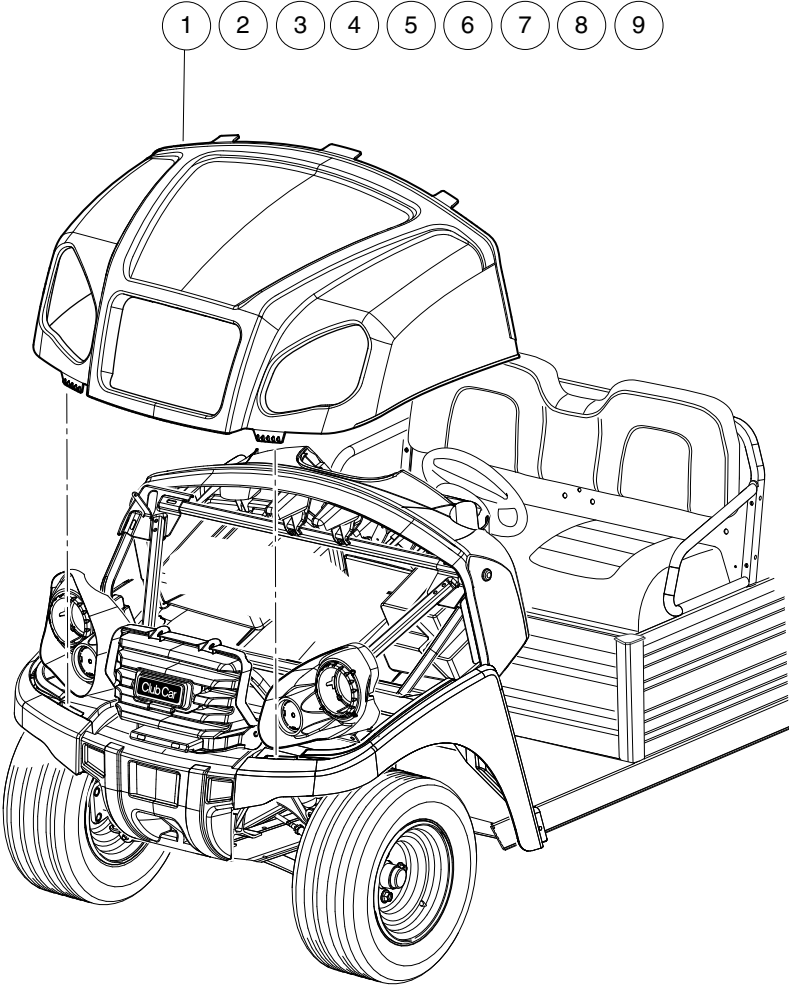
ITEM	PART NO.	DESCRIPTION	QTY
		1 2 3 4	
1	<u>105124901</u>	Kit, Front, License Pl, Lsv (includes items 2 and 3)	1
2	<u>101856101</u>	Screw, 1/4-15 X .50 Hi-lo Hex	2
3	<u>102311501</u>	Front License Plate Assembly (includes items 4 and 5)	1
4	N/A	Frame, License Plate	1
5	N/A	Mount, License Plate	1

1

E

1

E



001300-003

FRONT BODY

ITEM	PART NO.	DESCRIPTION	QTY
		1 2 3 4	
1	<u>105034321</u>	Cowl, Ca, Serv, Dk Green	1
2	<u>105034322</u>	Cowl, Ca, Serv, Dk Gray	1
3	<u>105034323</u>	Cowl, Ca, Serv, White	1
4	<u>105034324</u>	Cowl, Ca, Serv, Bright Blue	1
5	<u>105034325</u>	Cowl, Ca, Serv, Titn Silver	1
6	<u>105034326</u>	Cowl, Ca, Serv, Beige	1
7	<u>105034327</u>	Cowl, Ca, Serv, Red	1
8	<u>105034328</u>	Cowl, Ca, Serv, Black	1
9	<u>105034329</u>	Cowl, Ca, Serv, Classic Blue	1

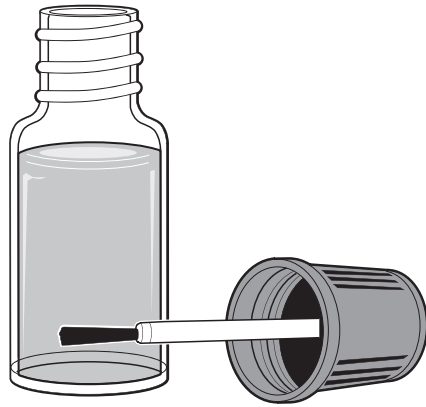
1

E

1

E

- 1
- 2
- 3
- 4
- 5
- 6
- 7
- 8
- 9
- 10



001300-020

BODY TOUCH-UP PAINT

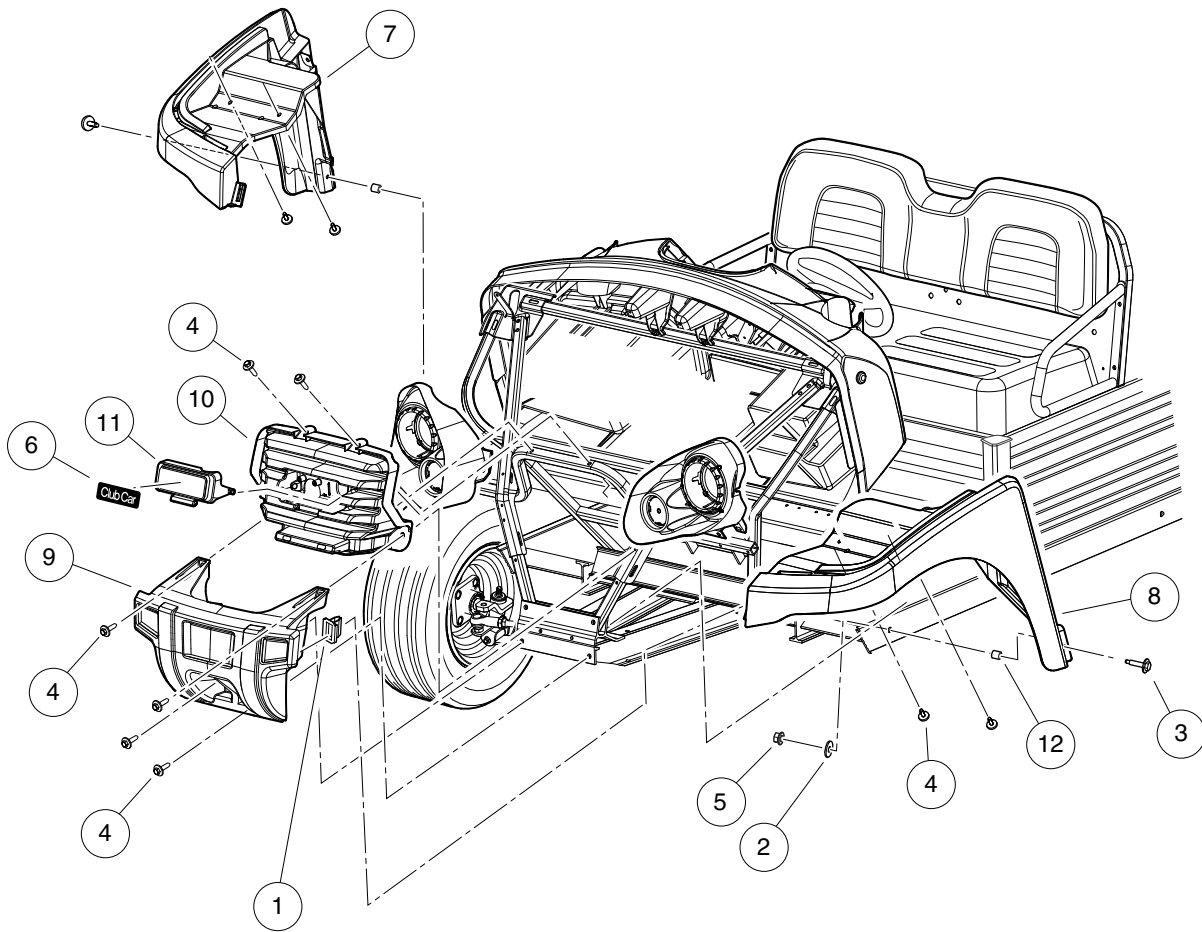
ITEM	PART NO.	DESCRIPTION	QTY
		1 2 3 4	
1	<u>105117701</u>	Paint, Touch-up, White	1
2	<u>105117702</u>	Paint, Touch-up, Classic Blue	1
3	<u>105117703</u>	Paint, Touch-up, Dark Green	1
4	<u>105117704</u>	Paint, Touch-up, Red	1
5	<u>105117705</u>	Paint, Touch-up, Dark Gray	1
6	<u>105117706</u>	Paint, Touch-up, Black	1
7	<u>105117707</u>	Paint, Touch-up, Tan	1
8	<u>105117708</u>	Paint, Touch-up, Bright Blue	1
9	<u>105117709</u>	Paint, Touch-up, Titn Silver	1
10	<u>105117710</u>	Paint, Touch-up, Light Gray	1

1

E

1

E



001300-004

FRONT BUMPER, GRILLE, AND FENDERS

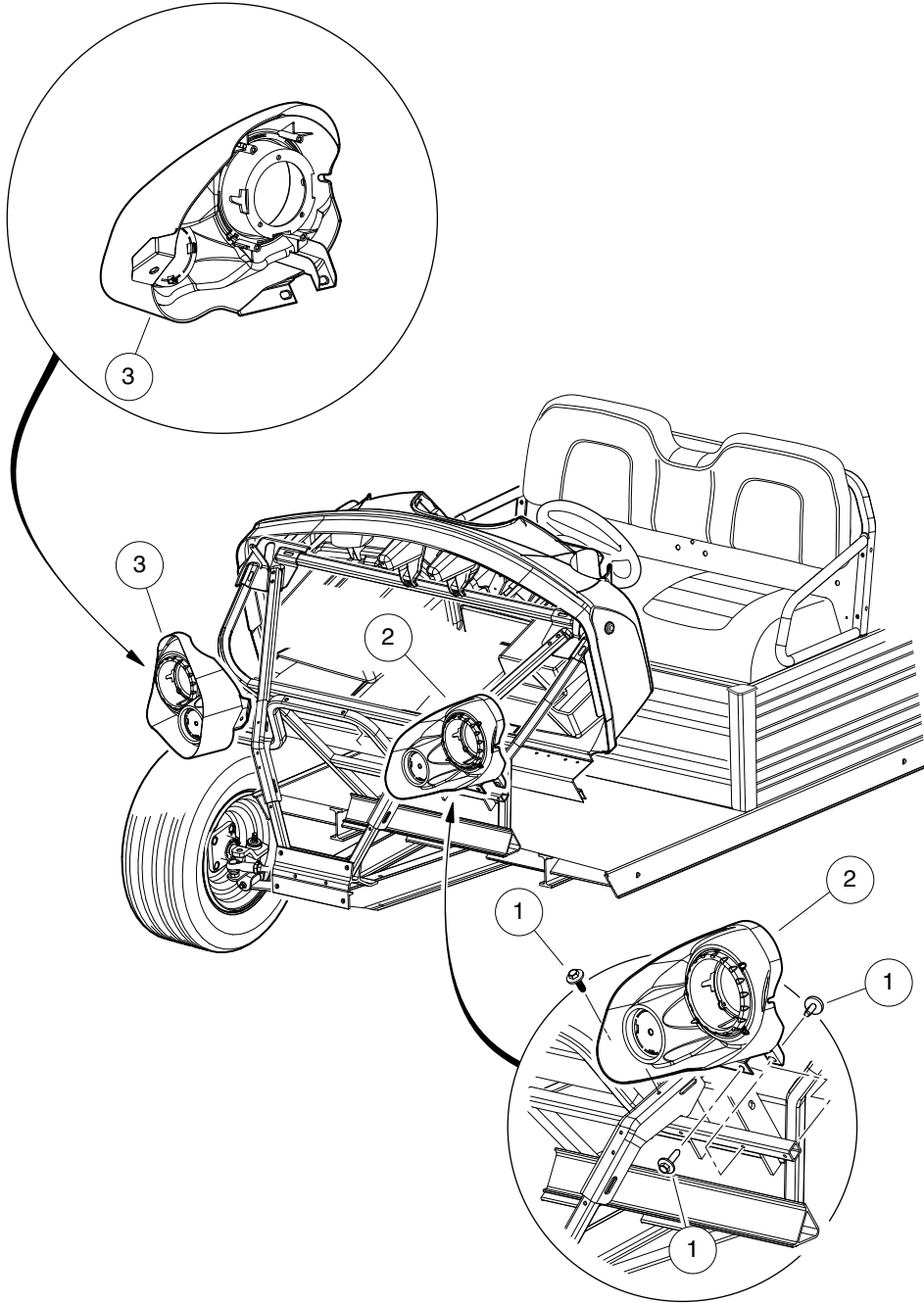
ITEM	PART NO.	DESCRIPTION	QTY
		1 2 3 4	
1	<u>102292701</u>	Clip-body-trim	2
2	<u>102296301</u>	Washer, M6x18x1.6 Flat	2
3	<u>102296530</u>	Screw - M6 X 1.0 X 30 Sems	6
4	<u>102297125</u>	Screw, M6-1.0x25.4, Thread-Forming, SEMS	8
5	<u>102541501</u>	Nut-m6x1.0 Fl Mtl Lock,blk	2
6	<u>102883601</u>	Decal, Nameplate, CCI, Front	1
7	<u>105034401</u>	Fender, Front, Rh, Ca	1
8	<u>105034501</u>	Fender, Front, Lh, Ca	1
9	<u>105034601</u>	Bumper, Front, Plastic, Ca	1
10	<u>105034701</u>	Grille, Ca	1
11	<u>105034801</u>	Door, Charger Port, Ca	1
12	<u>105036701</u>	Spacer, Frt Fender, Ca	2

1

E

1

E



001300-005

HEADLIGHT BEZELS

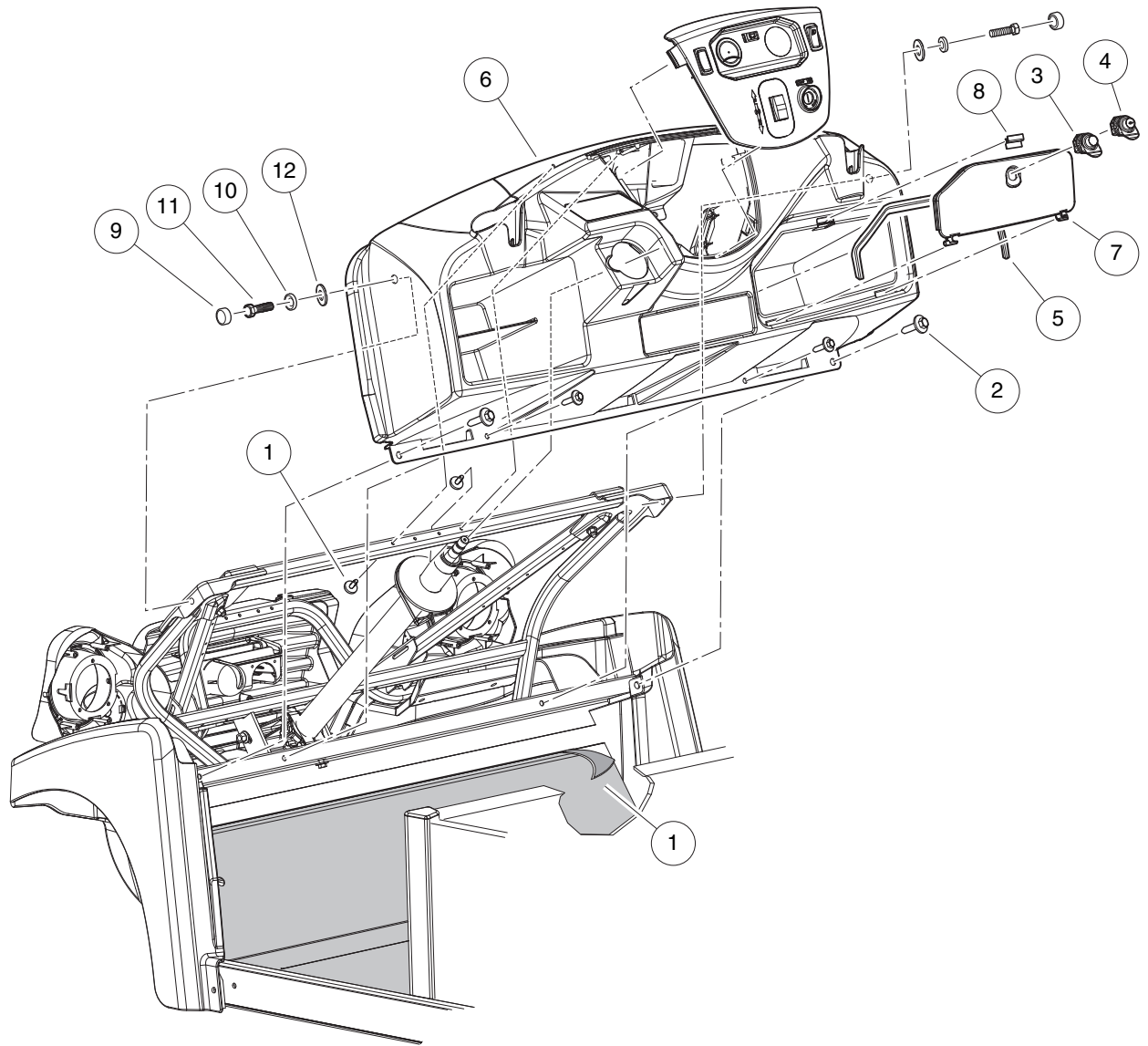
ITEM	PART NO.	DESCRIPTION	QTY
		1 2 3 4	
1	<u>102297125</u>	Screw, M6-1.0x25.4, Thread-Forming, SEMS	6
2	<u>105034901</u>	Bezel, Hl, Lh, Ca	1
3	<u>105035001</u>	Bezel, Hl, Rh, Ca	1

1

E

1

E



001300-006

DASH, GLOVEBOX DOOR, AND FLOORMAT

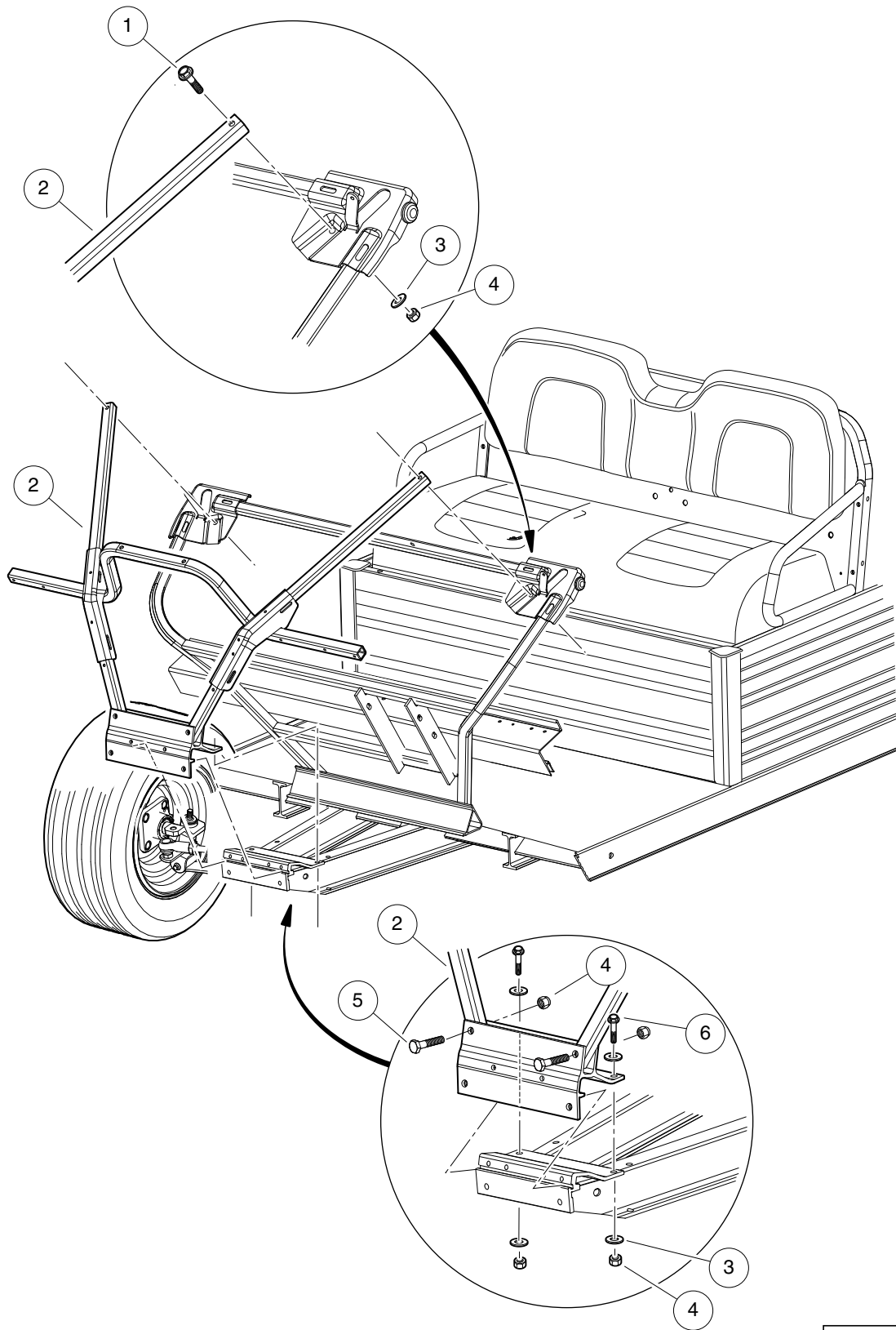
ITEM	PART NO.	DESCRIPTION	QTY
		1 2 3 4	
1	<u>101503202</u>	Floormat	1
2	<u>102297125</u>	Screw, M6-1.0x25.4, Thread-Forming, SEMS	6
3	<u>103182701</u>	Latch, Push Close	1
4	<u>103182702</u>	Latch, Push Close W/ Key	1
5	103540203	Seal, Bulb, 13 X 27 X 579 Mm	1
6	<u>105034001</u>	Dash, Ca	1
7	<u>105034201</u>	Door, Glove Box, Ca	1
8	<u>105035701</u>	Keeper, Latch, Ca	1
9	<u>105049201</u>	Cover, Bolt, Rh Series	2
10	<u>105049301</u>	Cover, Washer, Rhw Series	2
11	320	Screw, 3/8-16 X 1.00 Hex-Head Cap	2
12	<u>334</u>	Washer, 3/8, Type A, Flat	2

1

E

1

E



001107-001

FRONT FRAME, STANDARD

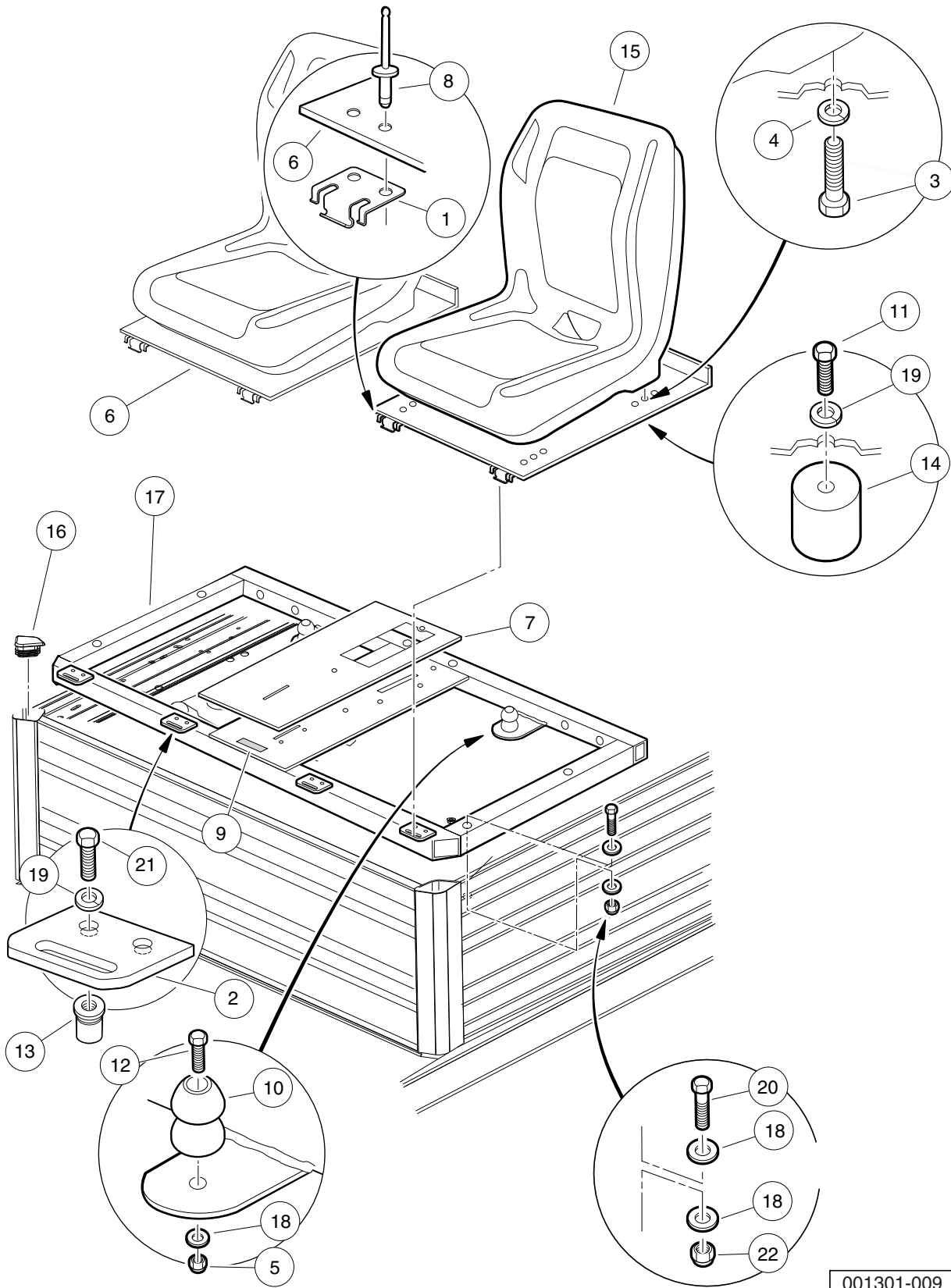
ITEM	PART NO.	DESCRIPTION	QTY
		1 2 3 4	
1	<u>1011937</u>	Bolt, 5/16-18 X 1.25 Hex Head	2
2	<u>105007001</u>	Weldment, Front, Util, Std	1
3	<u>1241</u>	Washer, 5/16 Type A Flat	6
4	<u>7473</u>	Locknut, 5/16-18 Nylon Insert	6
5	<u>8935</u>	Screw, 5/16-18 X 2.25 Hex-Head Cap	2
6	<u>8963</u>	Screw, 5/16-18 X 1.75 Hex-Head Cap	2

1

E

1

E



001301-009

BUCKET SEATS AND FRAME

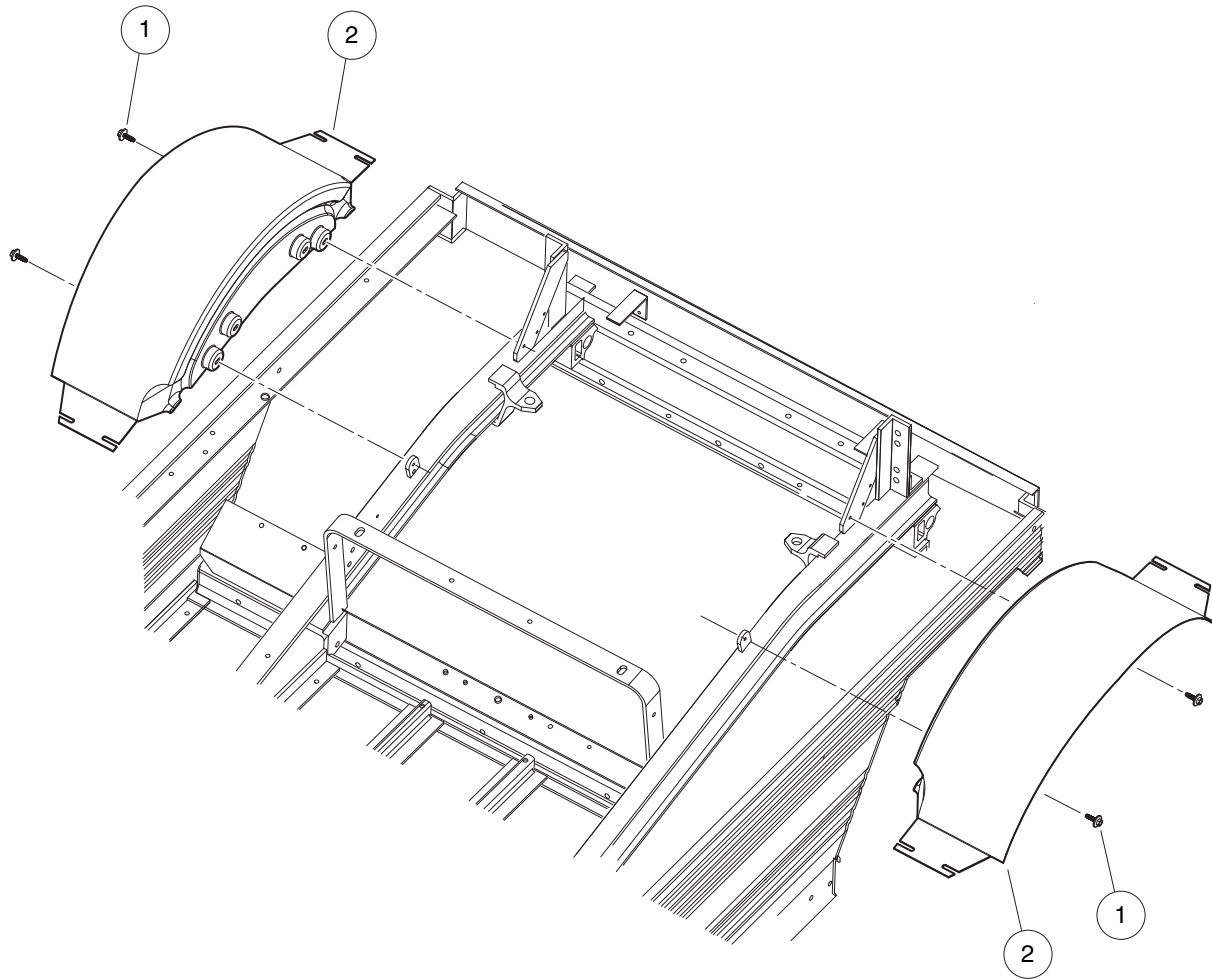
ITEM	PART NO.	DESCRIPTION	QTY
		1 2 3 4	
1	<u>1011652</u>	Hinge Plate	4
2	<u>1012412</u>	Body, Hinge Plate	4
3	<u>1012830</u>	Screw, M8-125 X 22 Hex-Head	8
4	<u>1013734</u>	Lockwasher, 8mm Split	8
5	<u>101887601</u>	Locknut, M6-1.00 Nylon Insert	2
6	<u>102023701</u>	Pan, Seat	2
7	<u>102026401</u>	Console Cover	1
8	<u>102047001</u>	Rivet, 1/4 X .438 Blind	8
9	<u>102056201</u>	3M VHB Tape 4936	1
10	<u>102059001</u>	Seat Holder Base	2
11	<u>102059401</u>	Screw, 6m-1.00 X 10mm Hex Head	2
12	<u>102059501</u>	Screw, 6M-1.00 X 35mm, Hex Head	2
13	<u>102060201</u>	1/4 - 20 Threaded Insert	10
14	<u>102061101</u>	Seat Holder Cup	2
15	<u>103267001</u>	Seat, Bucket, Gray	2
16	<u>105006501</u>	Cap, Corner, Frame	2
17	<u>105095701</u>	Asm, Bucket Seats, Support	1
18	<u>332</u>	Washer, 1/4 Type A Narrow Flat	10
19	<u>451</u>	Lockwasher, 1/4 Split	10
20	<u>7311</u>	Screw, 1/4-20 X 2.00 Hex-Head Cap	4
21	<u>7847</u>	Screw, 1/4-20 X 0.75 Hex-Head Cap	8
22	<u>8233</u>	Locknut, 1/4-20, Nylon Insert	4

1

E

1

E



001123-001

INNER REAR FENDERS

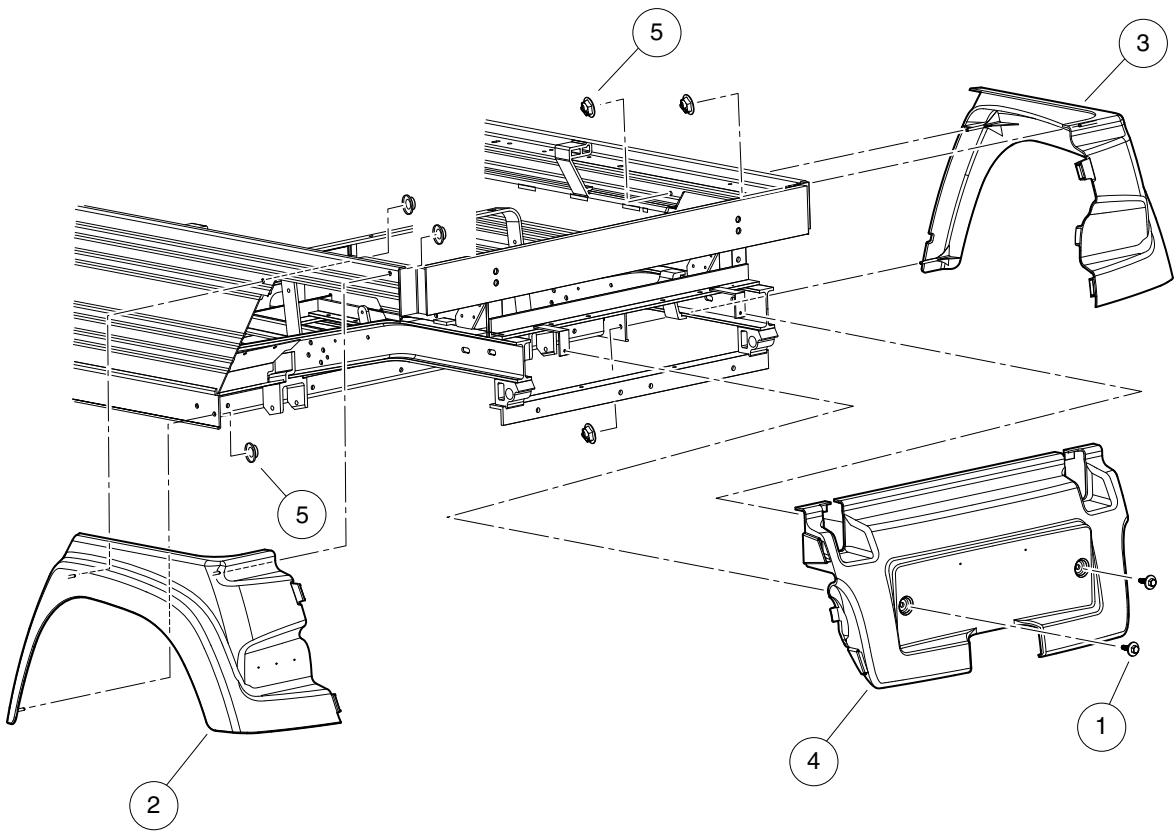
ITEM	PART NO.	DESCRIPTION	QTY
1	<u>102297125</u>	1 2 3 4 Screw, M6-1.0x25.4, Thread-Forming, SEMS	4
2	<u>105035801</u>	Fender, Inner, Ca	2

1

E

1

E



001124-001

REAR FENDERS AND TAIL SKIRT

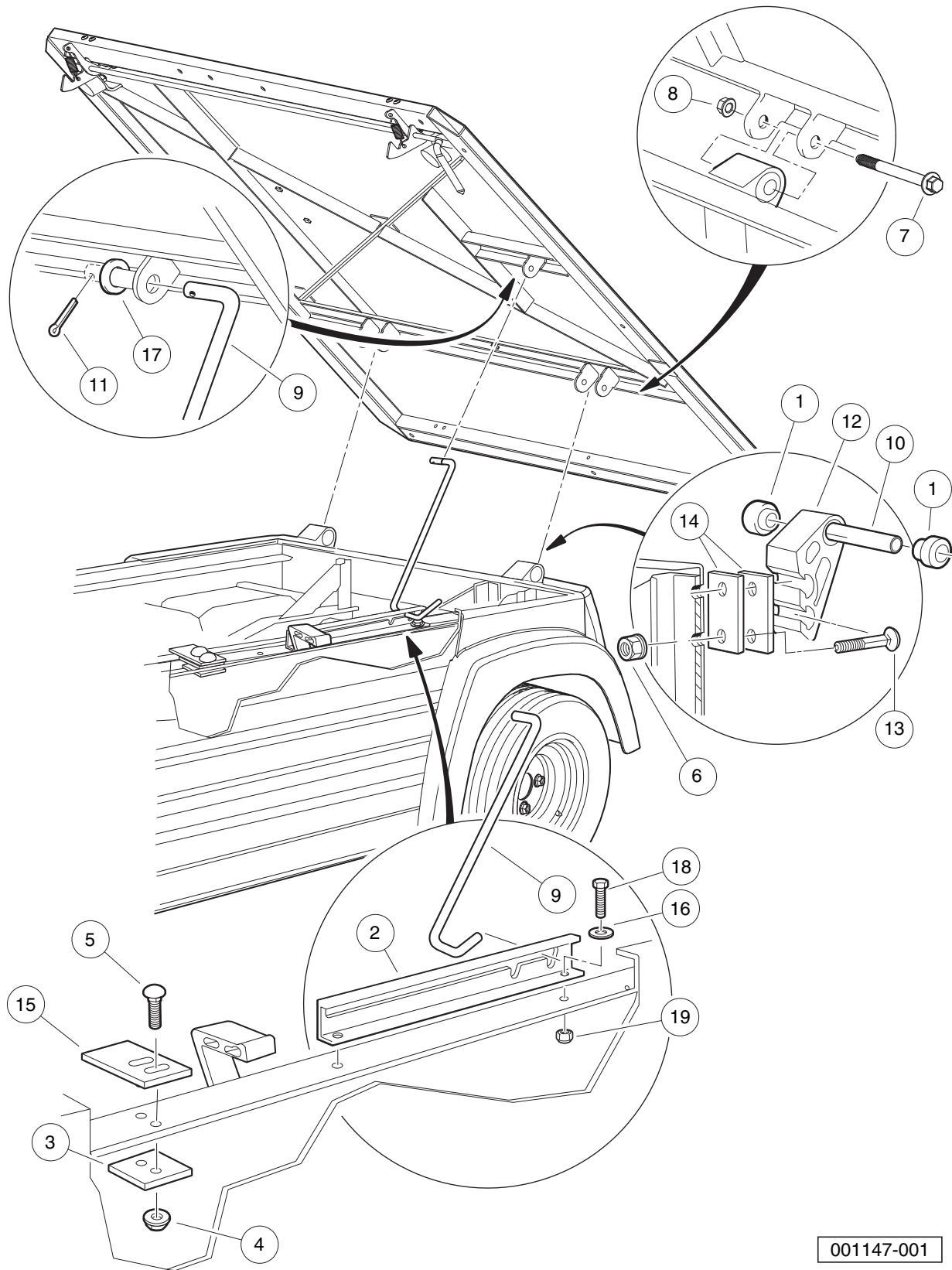
ITEM	PART NO.	DESCRIPTION	QTY
		1 2 3 4	
1	<u>102297125</u>	Screw, M6-1.0x25.4, Thread-Forming, SEMS	2
2	<u>105035101</u>	Fender, Rear, Lh, Ca	1
3	<u>105035201</u>	Fender, Rear, Rh, Ca	1
4	<u>105035301</u>	Tailskirt, Ca	1
5	<u>105066401</u>	Nut, Self Thread, 5x10x15	6

1

E

1

E



001147-001

BED HINGE, LATCH, AND PROP ROD – MEDIUM

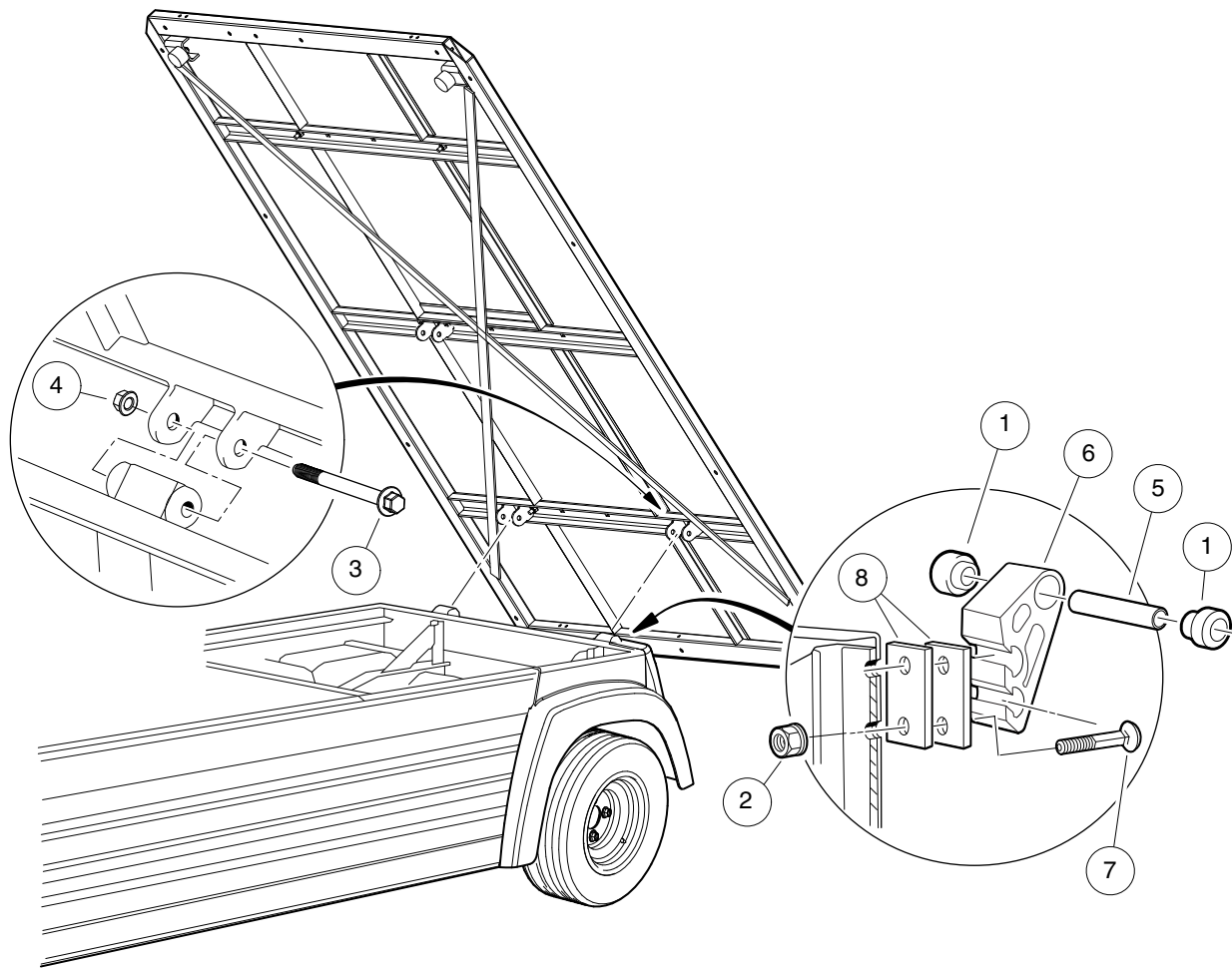
ITEM	PART NO.	DESCRIPTION	QTY
		1 2 3 4	
1	<u>1015583</u>	Bushing, Urethane	4
2	<u>1015700</u>	Track Prop Rod Ca li	1
3	<u>1016060</u>	Plate, Latch Support	2
4	<u>101835601</u>	Locknut, 1/4-20 Hex Whiz	4
5	<u>101958602</u>	Bolt, Carriage, 1/4-20 X 1.0	4
6	<u>102065901</u>	Locknut, 3/8-16 Flanged Dimple	4
7	<u>102298185</u>	Bolt - Flange Hd, M8 X 85.0	2
8	<u>102298401</u>	Nut,m8,all Metal Lock	2
9	<u>102301401</u>	Rod, Prop	1
10	<u>102506401</u>	Sleeve - Spring Eye Mounts	2
11	<u>1035</u>	Cotter Pin, 3/32 x 1	1
12	<u>103538701</u>	Bracket, Bed Hinge, Extruded	2
13	<u>103539001</u>	3/8-16 X 1.25 Carr Blt Gr5 Zn	4
14	<u>103575801</u>	Shim, Bed Hinge, .125 Thick	4
15	<u>105110801</u>	Plate, Latch, Ca	2
16	<u>332</u>	Washer, 1/4 Type A Narrow Flat	2
17	<u>334</u>	Washer, 3/8, Type A, Flat	1
18	<u>7479</u>	Screw, 1/4-20 X 1.25 Hex-Head Cap	2
19	<u>8233</u>	Locknut, 1/4-20, Nylon Insert	2

1

E

1

E



001149-001

TILT BED (LONG) HINGE – ELECTRIC VEHICLE

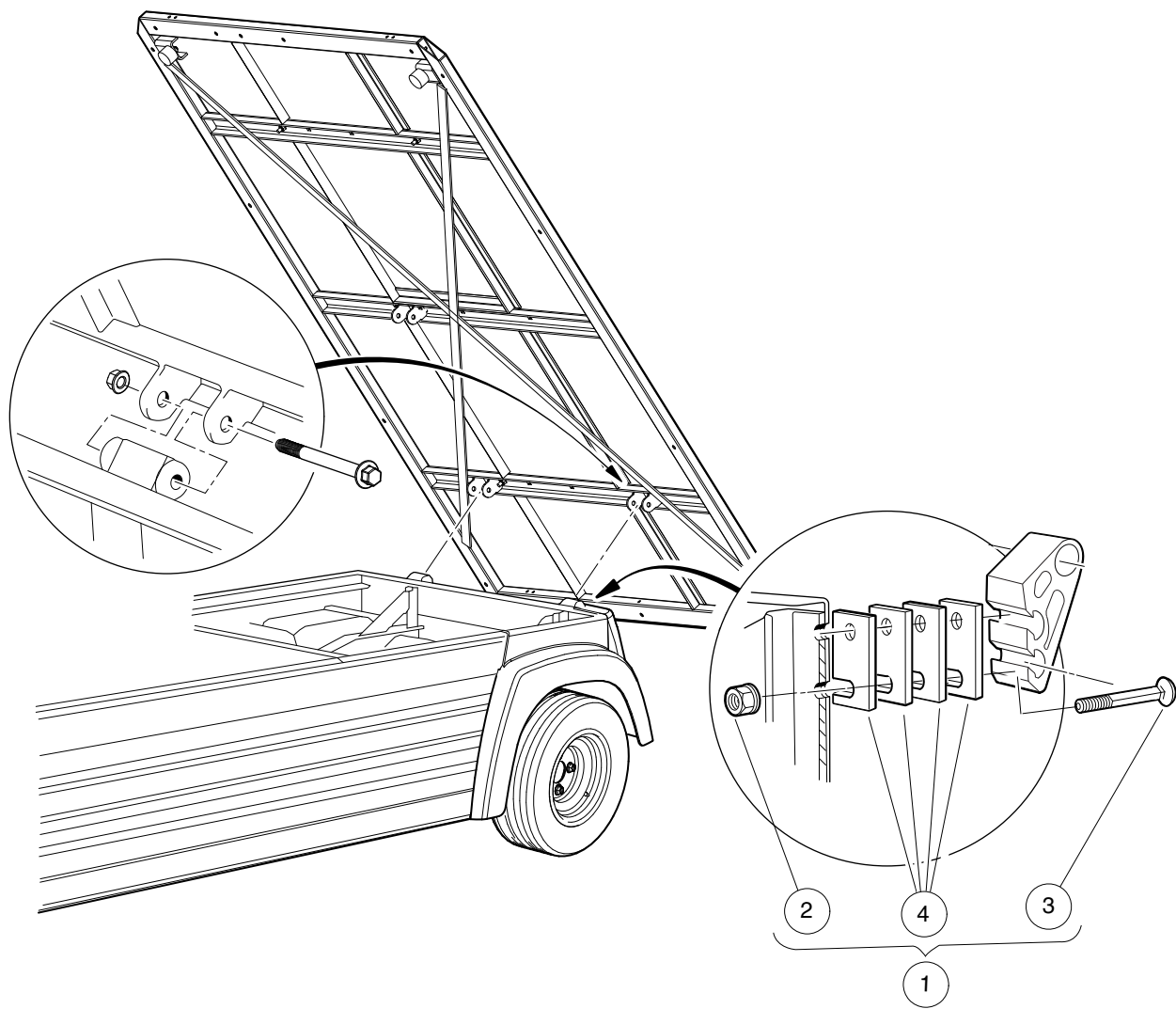
ITEM	PART NO.	DESCRIPTION	QTY
		1 2 3 4	
1	<u>1015583</u>	Bushing, Urethane	4
2	<u>102065901</u>	Locknut, 3/8-16 Flanged Dimple	4
3	<u>102298185</u>	Bolt - Flange Hd, M8 X 85.0	2
4	<u>102298401</u>	Nut,m8,all Metal Lock	2
5	<u>102506401</u>	Sleeve - Spring Eye Mounts	2
6	<u>103538701</u>	Bracket, Bed Hinge, Extruded	2
7	<u>103539002</u>	3/8-16 X 1.75 Carr Blt Gr5 Zn	4
8	<u>103575801</u>	Shim, Bed Hinge, .125 Thick	4

1

E

1

E



001149-004

LONG BED HINGE SPACER KIT – VEHICLE WITH CAB

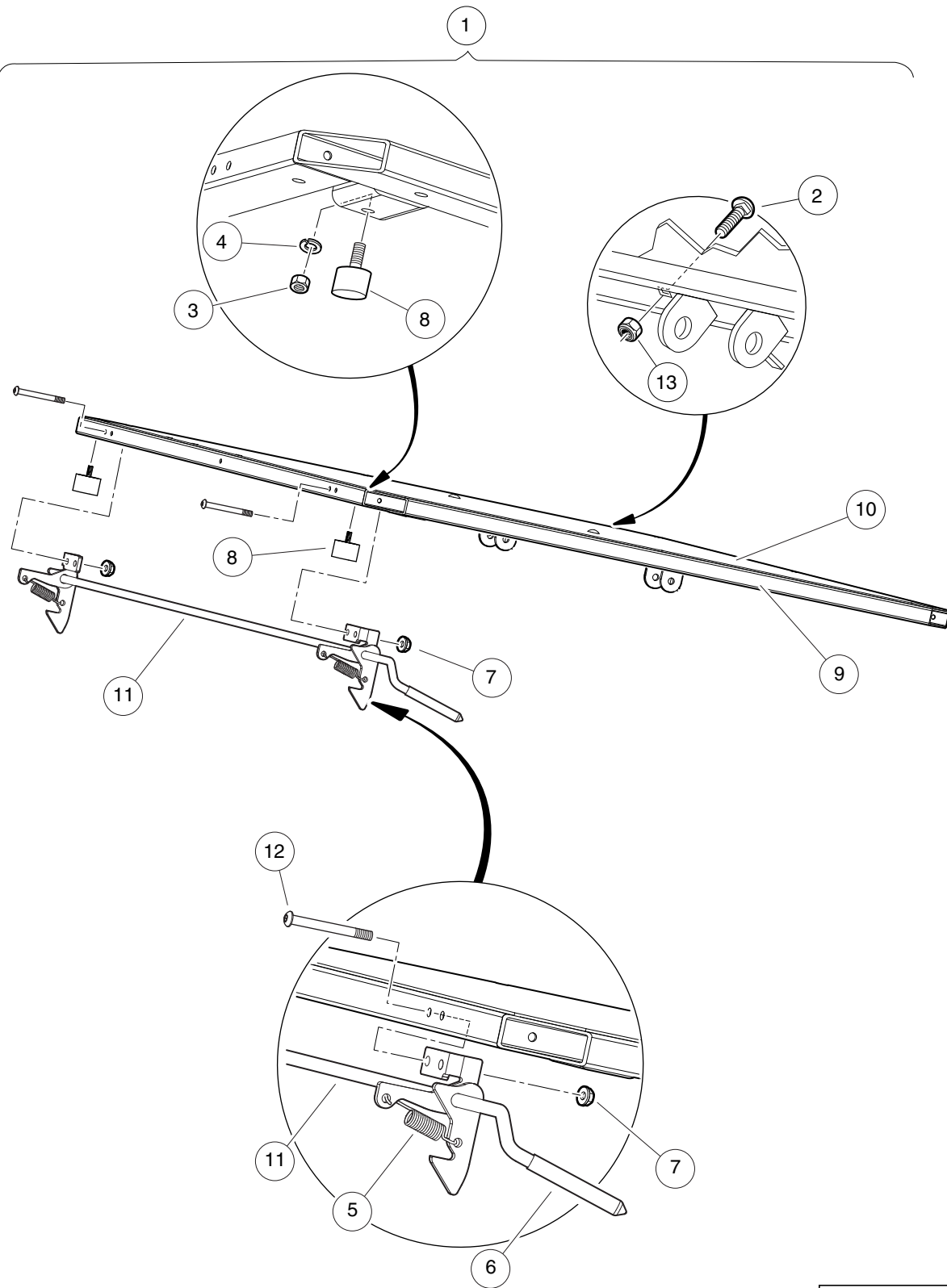
ITEM	PART NO.	DESCRIPTION	QTY
		1 2 3 4	
1	<u>105298002</u>	Kit, Extra Shims W/ Hardware (includes items 2 through 4)	1
2	<u>102065901</u>	Locknut, 3/8-16 Flanged Dimple	4
3	<u>103539002</u>	3/8-16 X 1.75 Carr Blt Gr5 Zn	4
4	<u>103575801</u>	Shim, Bed Hinge, .125 Thick	4

1

E

1

E



001148-001

TILT BED AND BED LATCH – MEDIUM

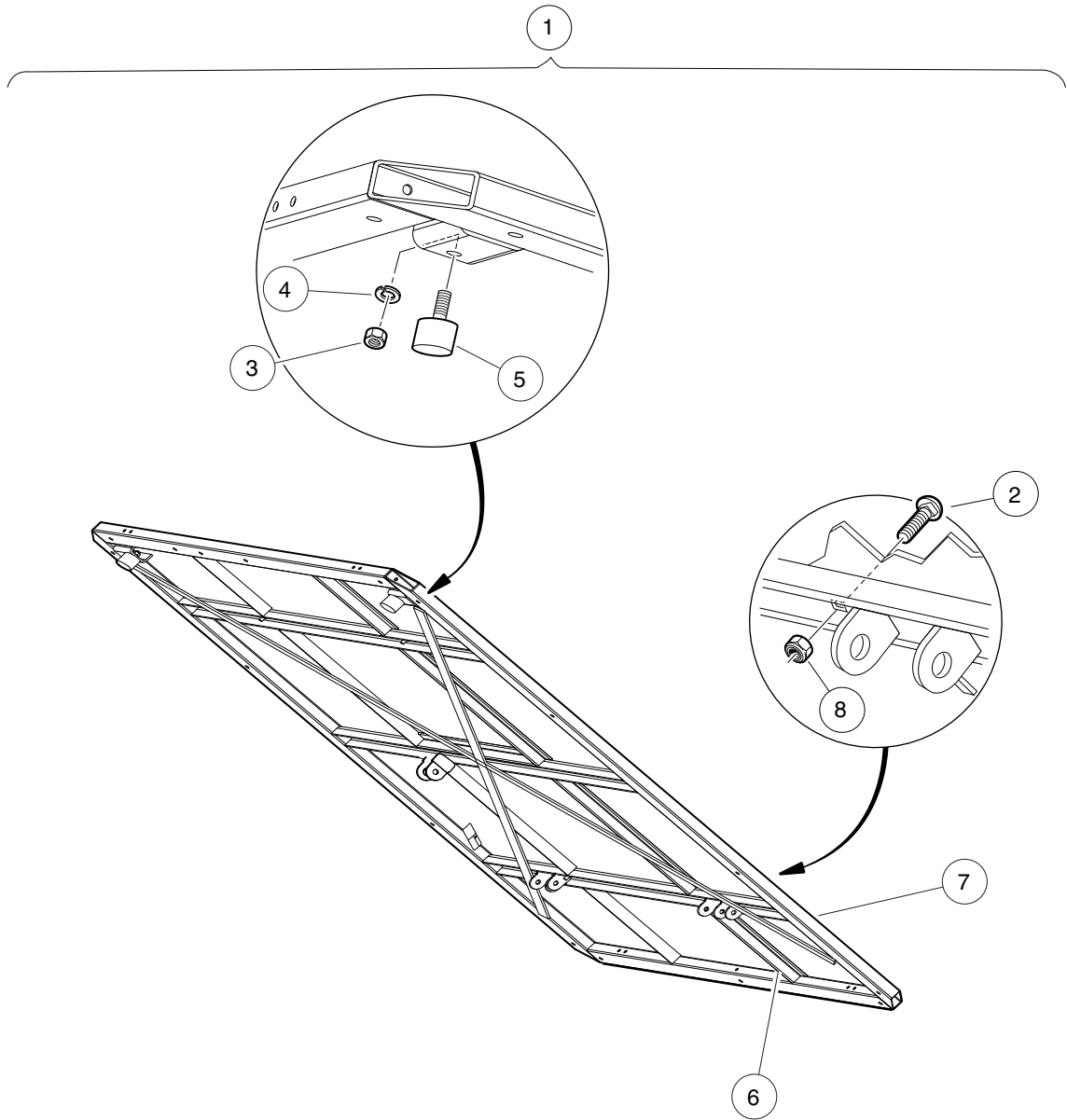
ITEM	PART NO.	DESCRIPTION	QTY
		1 2 3 4	
1	<u>105197101</u>	Kit, Bed Floor, Med (includes items 2 through 13)	1
2	<u>101043502</u>	Bolt, Carriage, 5/16-18x1 blk	4
3	<u>1012528</u>	Nut, M8-1.25 Hex	2
4	<u>1013734</u>	Lockwasher, 8mm Split	2
5	<u>1015391</u>	Extension, Spring Latch	2
6	<u>1015400</u>	Grip, Tilt Latch Hand	1
7	<u>1015661</u>	Nut, Lock Hx Flanged 1/4-20	4
8	<u>105036601</u>	Bumper, Bedfloor, Ca	2
9	N/A	Frame, Weldmnt, Bed, Medium	1
10	N/A	Plate, Floor, Bed, Rhino, Med	1
11	<u>105169101</u>	Weldment, Bed Latch, CA	1
12	<u>105194101</u>	1/4-20 X 2.5, Bhcs, 6-lobe	1
13	<u>7473</u>	Locknut, 5/16-18 Nylon Insert	4

1

E

1

E



001151-001

TILT BED – LONG

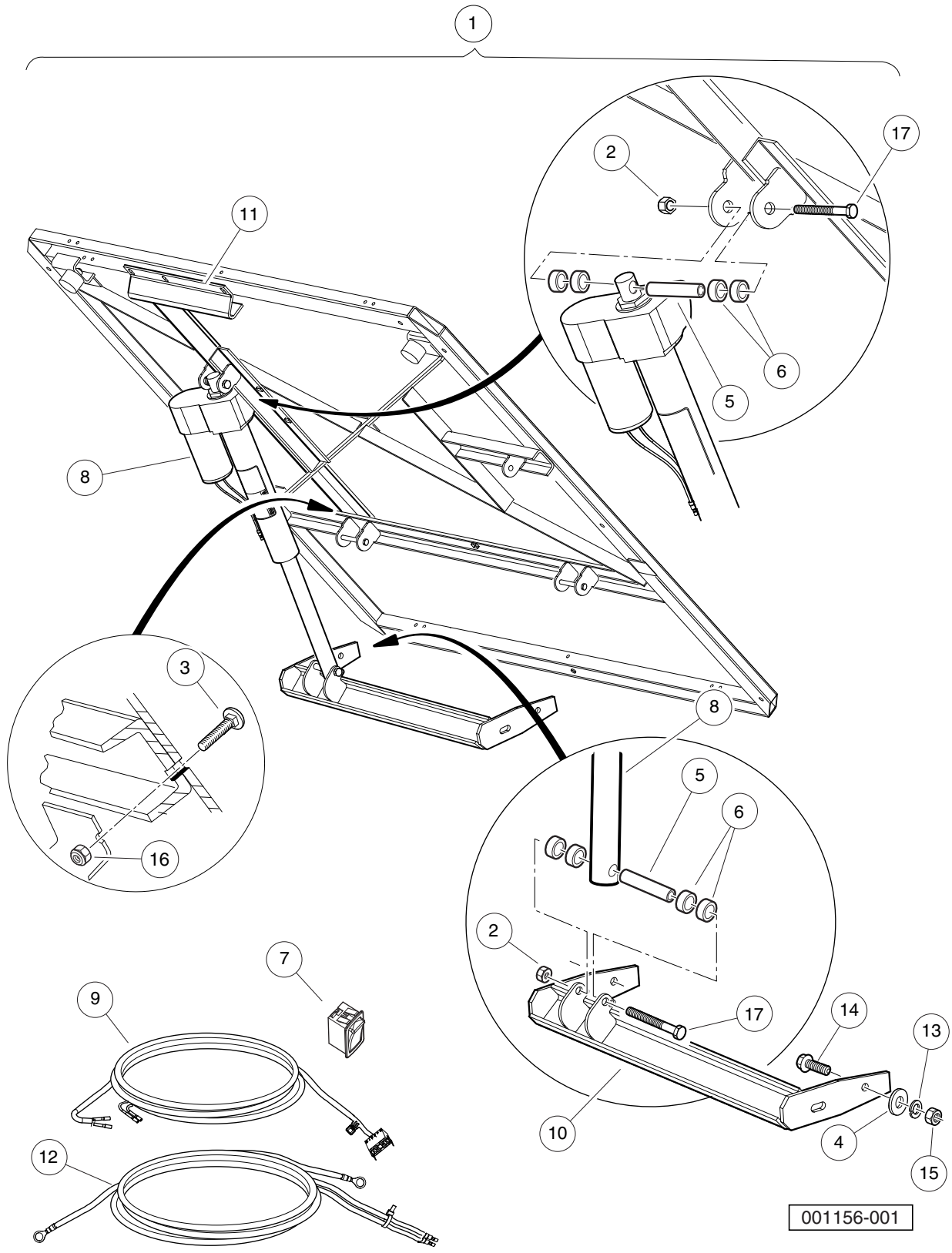
ITEM	PART NO.	DESCRIPTION	QTY
		1 2 3 4	
1	<u>105197201</u>	Kit, Bed Floor, Long (includes items 2 through 8)	1
2	<u>101043502</u>	Bolt, Carriage, 5/16-18x1 blk	4
3	<u>1012528</u>	Nut, M8-1.25 Hex	2
4	<u>1013734</u>	Lockwasher, 8mm Split	2
5	<u>105036601</u>	Bumper, Bedfloor, Ca	2
6	N/A	Frame, Weldmnt, Bed, Long	1
7	N/A	Plate, Flr, Bed Utl, Lng Rhino	1
8	<u>7473</u>	Locknut, 5/16-18 Nylon Insert	4

1

E

1

E



ELECTRIC BED LIFT – MEDIUM, ELECTRIC VEHICLES

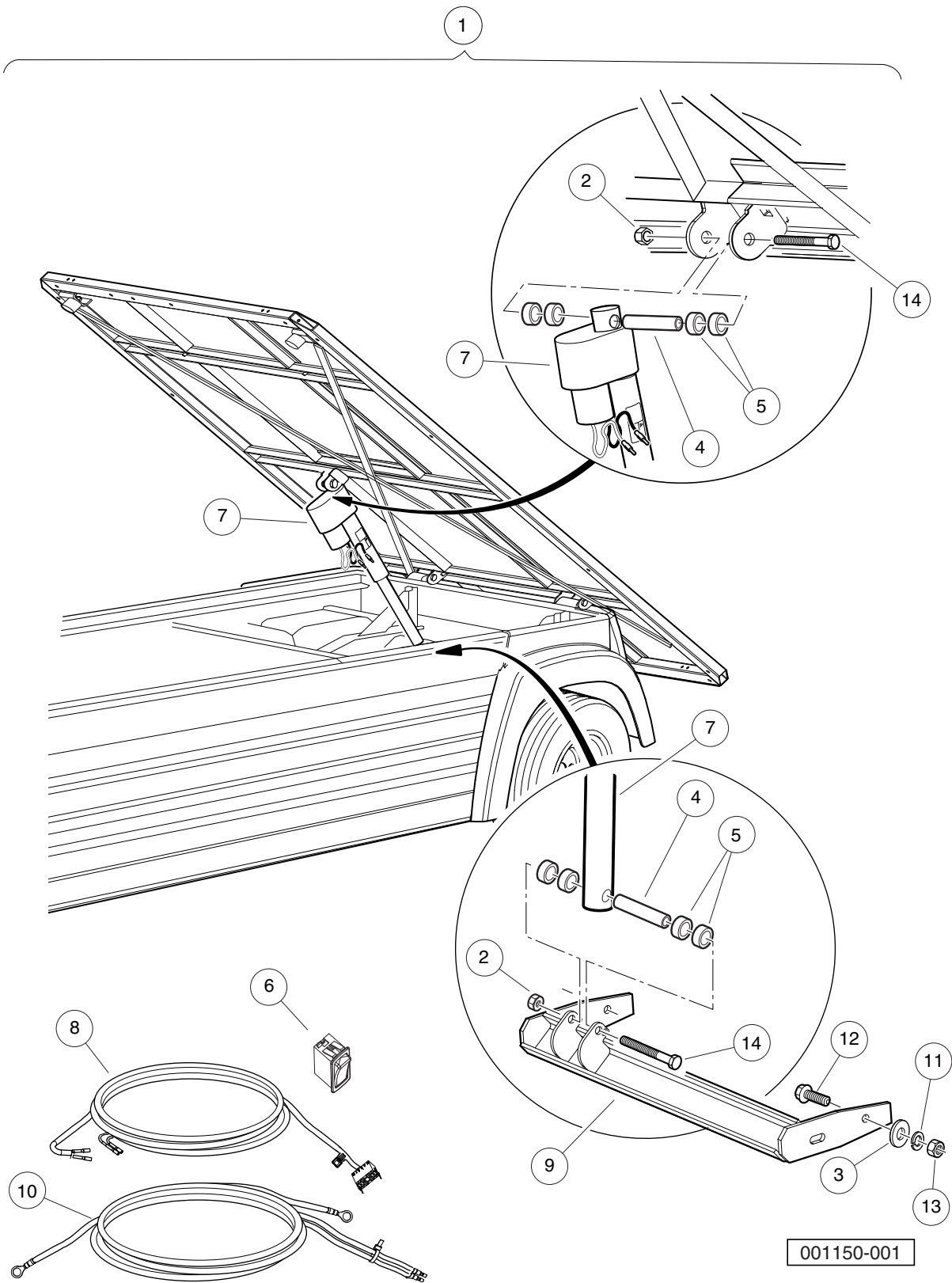
ITEM	PART NO.	DESCRIPTION	QTY
		1 2 3 4	
1	<u>105170301</u>	Kit, Bed Lift, Elec, Med (includes items 2 through 17)	1
2	<u>1010138</u>	Locknut, 3/8-16 Dimpled	2
3	<u>101043502</u>	Bolt, Carriage, 5/16-18x1 blk	1
4	<u>1011990</u>	Washer, 3/8 Flat	4
5	<u>1016603</u>	Bushing, Long	2
6	<u>1017774</u>	Body Spacer	8
7	<u>102882501</u>	Switch, Rocker, Bed Lift	1
8	<u>103951801</u>	Actuator, Bed Lift, Electric	1
9	<u>105108901</u>	Harness, Bed Lift, Util	1
10	<u>105131001</u>	Weldment, Mnt, Bed Lift, Ca	1
11	<u>105193501</u>	Weldment, Bed Lift, Med	1
12	<u>105197601</u>	Asm, Jumper, Bedlift, Ca500	1
13	<u>357</u>	Lockwasher, 3/8 Split	4
14	<u>705</u>	Screw, Cap-hex Hd 3/8-16x1.25	4
15	<u>706</u>	Nut, Hex 3/8-16	4
16	<u>7473</u>	Locknut, 5/16-18 Nylon Insert	1
17	<u>7561</u>	Bolt, 3/8-16 X 3.00 Hex Head	2

1

E

1

E



ELECTRIC BED LIFT, LONG – ELECTRIC VEHICLES

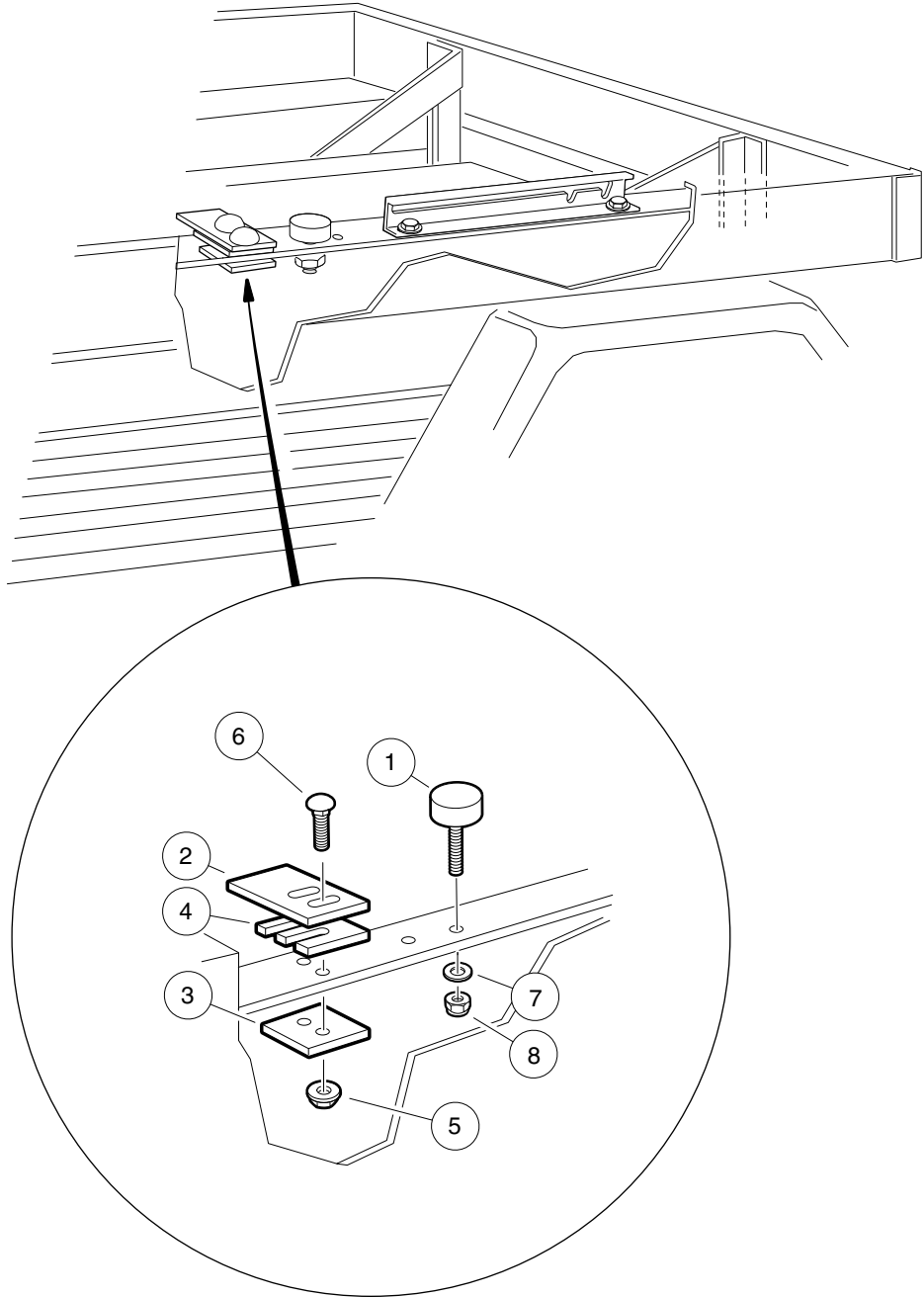
ITEM	PART NO.	DESCRIPTION	QTY
		1 2 3 4	
1	105170401	Kit, Bed Lift, Elec, Lng (includes items 2 through 14)	1
2	<u>1010138</u>	Locknut, 3/8-16 Dimpled	2
3	<u>1011990</u>	Washer, 3/8 Flat	4
4	<u>1016603</u>	Bushing, Long	2
5	1017774	Body Spacer	8
6	<u>102882501</u>	Switch, Rocker, Bed Lift	1
7	<u>103951801</u>	Actuator, Bed Lift, Electric	1
8	<u>105108901</u>	Harness, Bed Lift, Util	1
9	<u>105131001</u>	Weldment, Mnt, Bed Lift, Ca	1
10	<u>105197602</u>	Asm, Jumper, Bedlift, Ca700	1
11	<u>357</u>	Lockwasher, 3/8 Split	4
12	705	Screw, Cap-hex Hd 3/8-16x1.25	4
13	<u>706</u>	Nut, Hex 3/8-16	4
14	<u>7561</u>	Bolt, 3/8-16 X 3.00 Hex Head	2

1

E

1

E



000258-002

LATCH PLATE

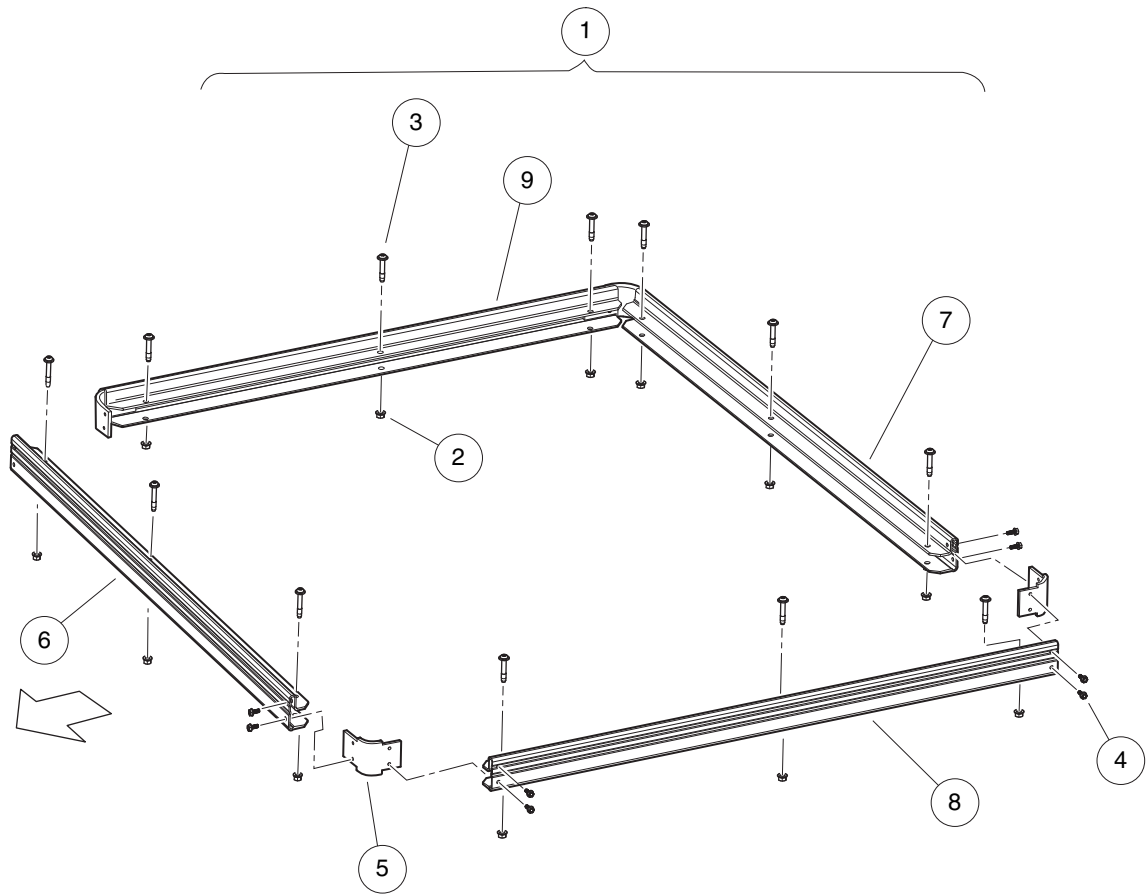
ITEM	PART NO.	DESCRIPTION	QTY
		1 2 3 4	
1	<u>1010878</u>	Bumper, Rubber	2
2	<u>1015277</u>	Latch Plate, Tilt Bed	2
3	<u>1016060</u>	Plate, Latch Support	2
4	<u>1016078</u>	Latch Plate Shim	1
5	<u>101835601</u>	Locknut, 1/4-20 Hex Whiz	4
6	<u>101958601</u>	Carriage Bolt, 1/4-20 X 0.75	4
7	<u>332</u>	Washer, 1/4 Type A Narrow Flat	4
8	<u>8233</u>	Locknut, 1/4-20, Nylon Insert	4

1

E

1

E



001126-001

FLAT BED TRIM – MEDIUM

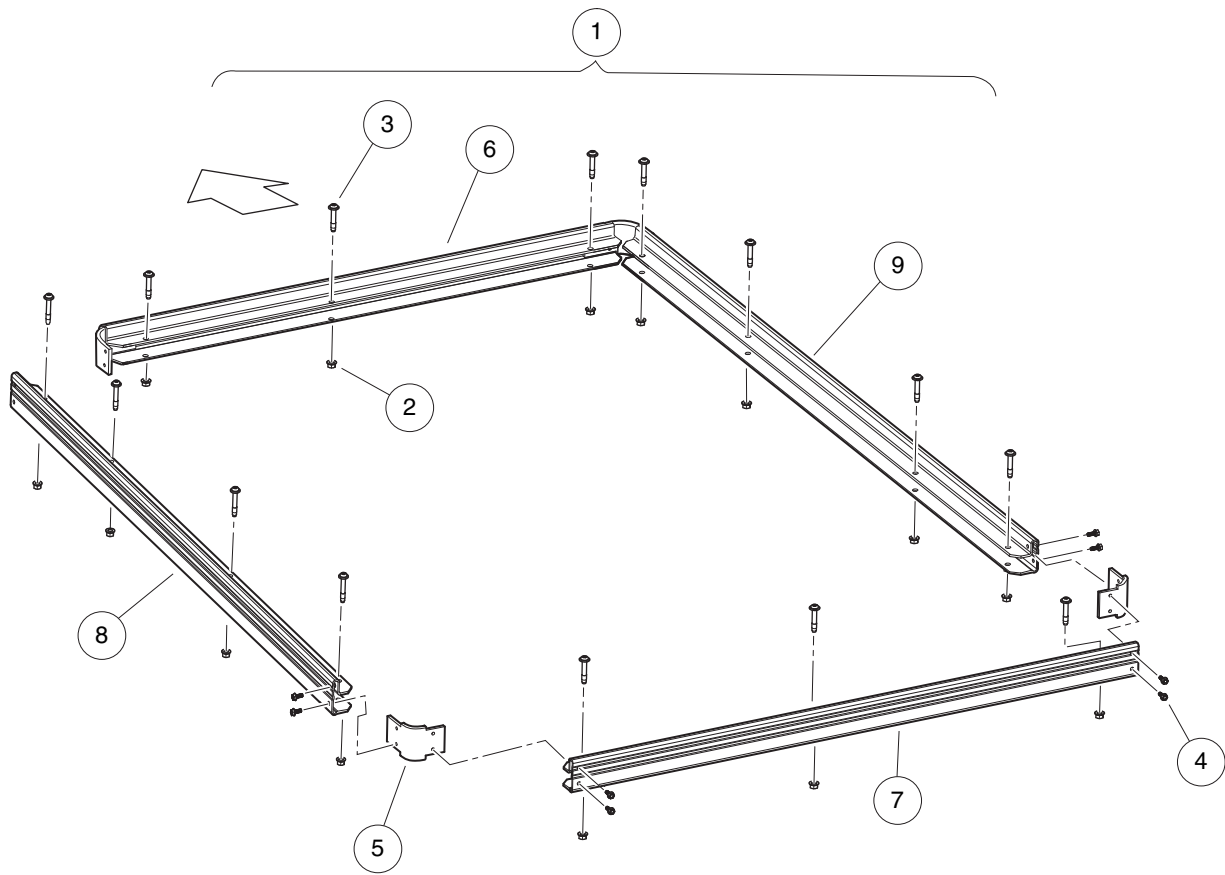
ITEM	PART NO.	DESCRIPTION	QTY
		1 2 3 4	
1	105122205	Kit, Flat Trim, Ca, Med (includes items 2 through 9)	1
2	<u>102298401</u>	Nut,m8,all Metal Lock	12
3	<u>102299550</u>	Screw,m8x50,sems,tx,bttn,plt	12
4	<u>105185701</u>	Pan Head Screw, M6 X 16 Tt	16
5	<u>105185801</u>	Bracket,Bed Corner,CA	4
6	<u>105194801</u>	Trim, Bed, Cntr, Front	1
7	<u>105194802</u>	Trim, Bed, Cntr, Rear	1
8	<u>105194901</u>	Trim, Bed, Medium, Lh	1
9	<u>105194902</u>	Trim, Bed, Medium, Rh	1

1

E

1

E



001127-001

FLAT BED TRIM – LONG

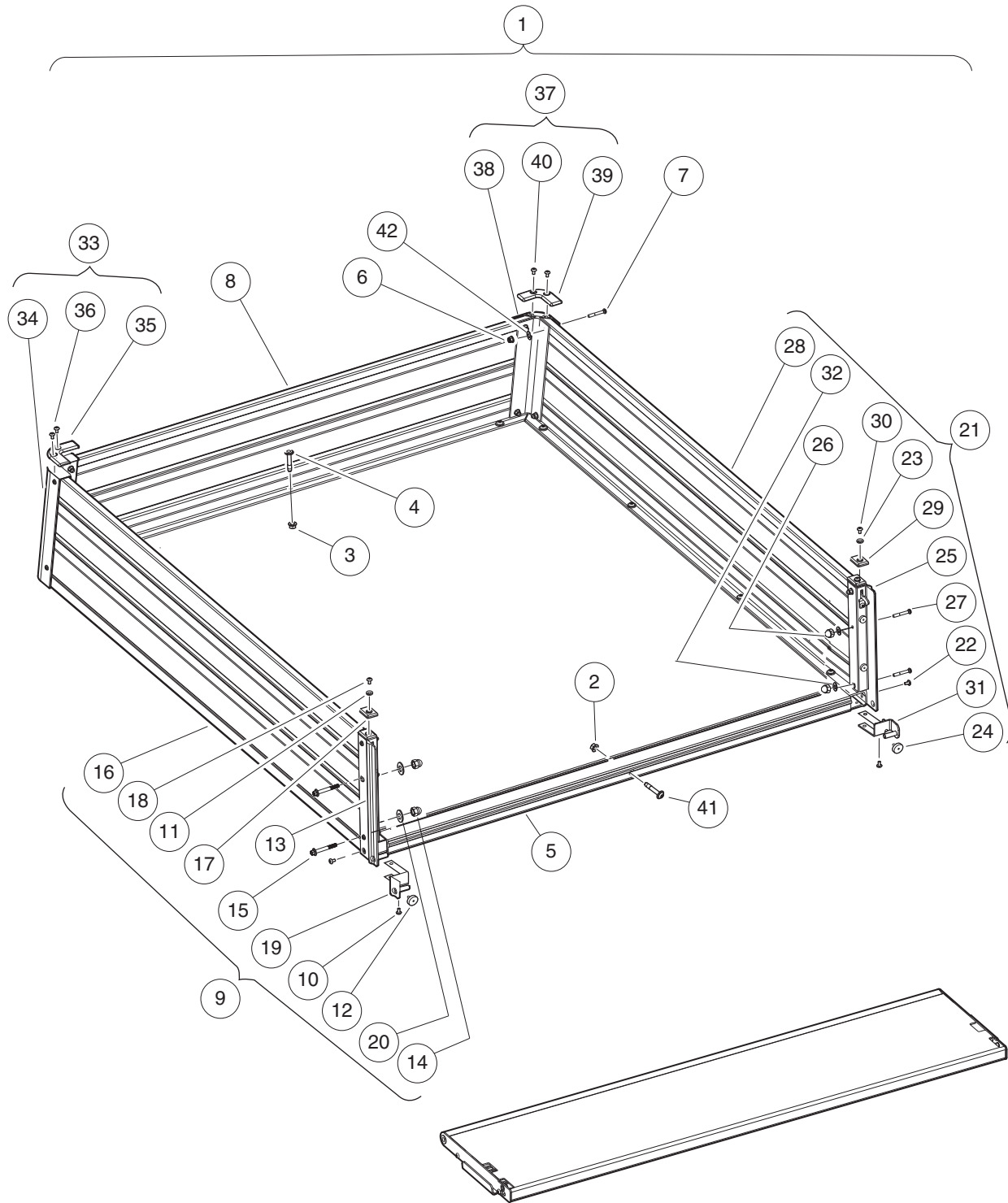
ITEM	PART NO.	DESCRIPTION	QTY
		1 2 3 4	
1	<u>105122206</u>	Kit, Flat Trim, Ca, Long (includes items 2 through 9)	1
2	<u>102298401</u>	Nut,m8,all Metal Lock	14
3	<u>102299550</u>	Screw,m8x50,sems,tx,bttn,plt	14
4	<u>105185701</u>	Pan Head Screw, M6 X 16 Tt	16
5	<u>105185801</u>	Bracket,Bed Corner,CA	4
6	<u>105194801</u>	Trim, Bed, Cntr, Front	1
7	<u>105194802</u>	Trim, Bed, Cntr, Rear	1
8	<u>105195001</u>	Trim, Bed, Lng, Lh	1
9	<u>105195002</u>	Trim, Bed, Lng, Rh	1

1

E

1

E



001134-004

CARGO BOX KIT – MEDIUM (PAGE 1 OF 2)

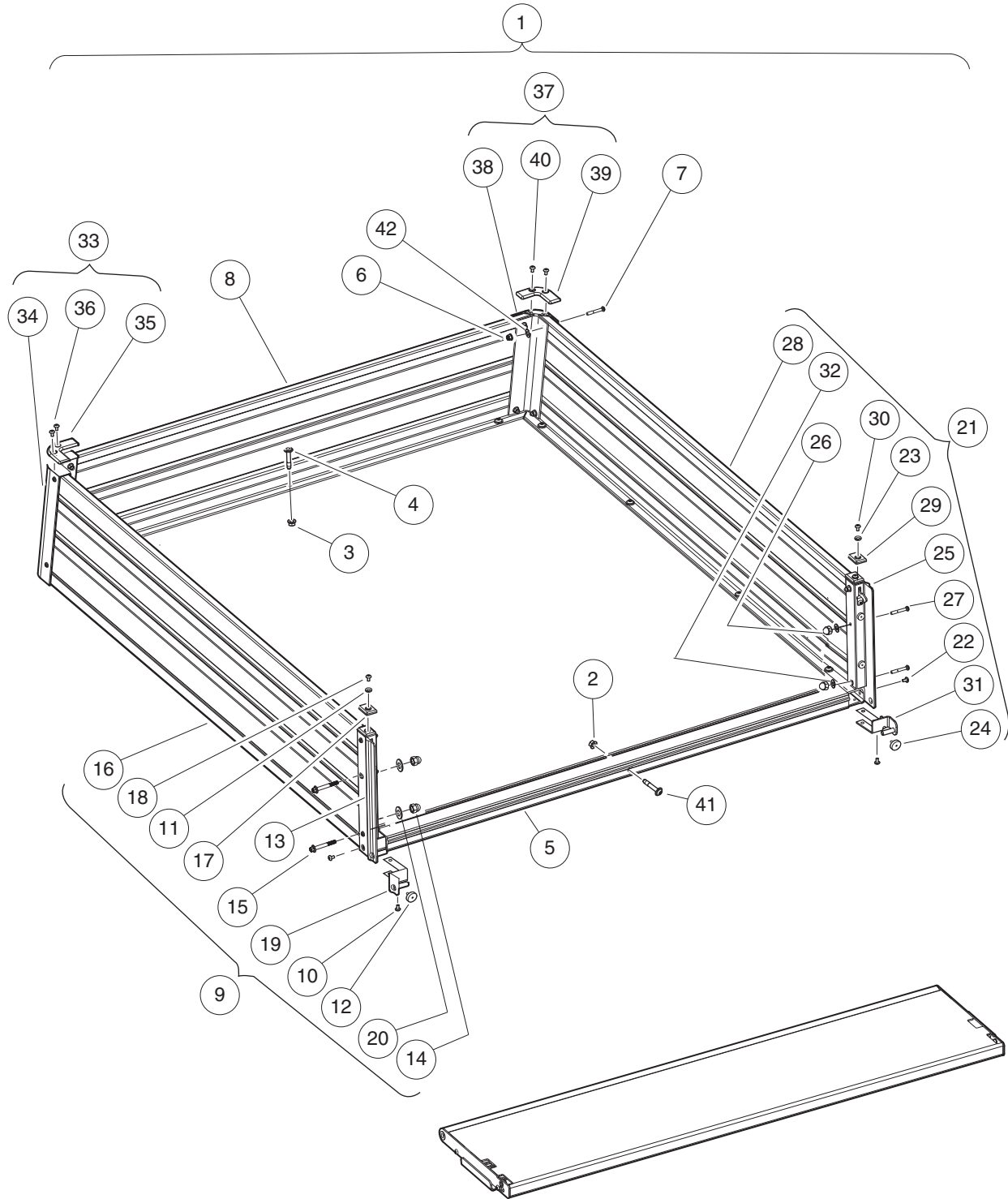
ITEM	PART NO.	DESCRIPTION	QTY
		1 2 3 4	
1	<u>105122105</u>	Kit, Cargo Box, Med (includes items 2 through 42)	1
2	<u>1015661</u>	Nut, Lock Hx Flanged 1/4-20	3
3	<u>102298401</u>	Nut, M8, All Metal Lock	9
4	<u>102299550</u>	Screw,m8x50,sems,tx,bttm,plt	9
5	<u>105192301</u>	Extr, Bed, Cargo, Rear	1
6	<u>105192901</u>	Nut, Acorn, M6, Lock, Silver	8
7	<u>105193001</u>	Screw, 6 Lobe, M6 X 35	8
8	<u>105200702</u>	Asm, Cargo Box, DS, Medium (includes items 9 through 19)	1
9	<u>1014321</u>	Screw, #10 Truss-Head Torx	1
10	<u>1016</u>	Lockwasher, #10 Split	1
11	<u>102590801</u>	Bumper, Rubber	1
12	<u>105127401</u>	Asm, Latch, Tailgate, Lh	1
13	<u>105192901</u>	Nut, Acorn, M6, Lock, Silver	2
14	<u>105193001</u>	Screw, 6 Lobe, M6 X 35	2
15	<u>105196201</u>	Cap, Corner, Rear, Cargo Bed	1
16	<u>105205201</u>	Screw, 10-24 X .36, St Torx	1
17	<u>47563313001</u>	Weldment, Pivot, Tailgate, Lh	1
18	N/A	Panel, Cargo Box, Lh, Med	1
19	<u>96705199</u>	Washer, M6	2
20	<u>105200802</u>	Asm, Cargo Box, PS, Medium (includes items 21 through 31)	1
21	<u>1014321</u>	Screw, #10 Truss-Head Torx	1
22	<u>1016</u>	Lockwasher, #10 Split	1
23	<u>102590801</u>	Bumper, Rubber	1
24	<u>105127402</u>	Asm, Latch, Tailgate, Rh	1
25	<u>105192901</u>	Nut, Acorn, M6, Lock, Silver	2
26	<u>105193001</u>	Screw, 6 Lobe, M6 X 35	2
27	<u>105196201</u>	Cap, Corner, Rear, Cargo Bed	1
28	<u>105205201</u>	Screw, 10-24 X .36, St Torx	1
29	<u>47563313002</u>	Weldment, Pivot, Tailgate, Rh	1
30	N/A	Panel, Cargo Box, Rh, Med	1
31	<u>96705199</u>	Washer, M6	2
32	<u>105200901</u>	Asm, Cargo Box,Corner,DS (includes items 33 through 35)	1
33	N/A	Extr, Bed Corner, Lh	1
34	<u>105196101</u>	Cap, Corner, Frt, Cargo Bed	1
35	<u>105205201</u>	Screw, 10-24 X .36, St Torx	2
36	<u>105201001</u>	Asm,Cargo Box,Corner,PS (includes items 37 through 39)	1
37	N/A	Extr, Bed Corner, Rh	1
38	<u>105196101</u>	Cap, Corner, Frt, Cargo Bed	1
39	<u>105205201</u>	Screw, 10-24 X .36, St Torx	2
40	<u>324</u>	Screw, 1/4-20 X 2.50 Hx Hd Cap	3
41	<u>47621599001</u>	Panel, Cargo Box, Frt	1
42	<u>96705199</u>	Washer, M6	8

1

E

1

E



001134-004

CARGO BOX KIT – LONG (PAGE 1 OF 2)

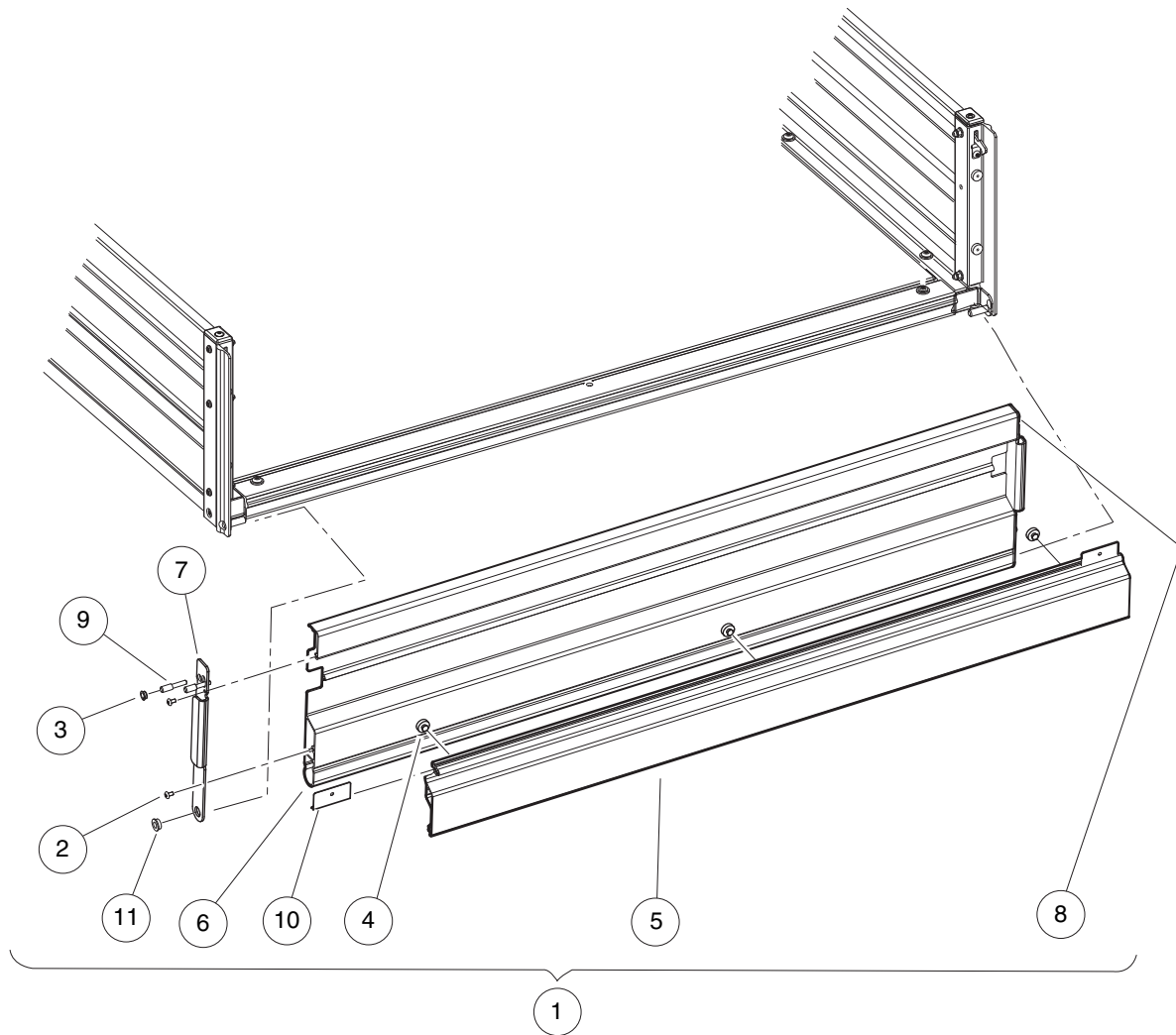
ITEM	PART NO.	DESCRIPTION	QTY
		1 2 3 4	
1	<u>105122106</u>	Kit, Cargo Box, Long (includes items 2 through 42)	1
2	<u>1015661</u>	Nut, Lock Hx Flanged 1/4-20	3
3	<u>102298401</u>	Nut,m8,all Metal Lock	11
4	<u>102299550</u>	Screw,m8x50,sems,tx,bttn,plt	11
5	<u>105192301</u>	Extr, Bed, Cargo, Rear	1
6	<u>105192901</u>	Nut, Acorn, M6, Lock, Silver	8
7	<u>105193001</u>	Screw, 6 Lobe, M6 X 35	8
8	<u>105200703</u>	Asm, Cargo Box, DS, Long (includes items 9 through 19)	1
9	<u>1014321</u>	Screw, #10 Truss-Head Torx	1
10	<u>1016</u>	Lockwasher, #10 Split	1
11	<u>102590801</u>	Bumper, Rubber	1
12	<u>105127401</u>	Asm, Latch, Tailgate, Lh	1
13	<u>105192901</u>	Nut, Acorn, M6, Lock, Silver	2
14	<u>105193001</u>	Screw, 6 Lobe, M6 X 35	2
15	<u>105196201</u>	Cap, Corner, Rear, Cargo Bed	1
16	<u>105205201</u>	Screw, 10-24 X .36, St Torx	1
17	<u>47563313001</u>	Weldment, Pivot, Tailgate, Lh	1
18	N/A	Panel, Cargo Box, Lh, Long	1
19	<u>96705199</u>	Washer, M6	2
20	<u>105200803</u>	Asm, Cargo Box, PS, Long (includes items 21 through 31)	1
21	<u>1014321</u>	Screw, #10 Truss-Head Torx	1
22	<u>1016</u>	Lockwasher, #10 Split	1
23	<u>102590801</u>	Bumper, Rubber	1
24	<u>105127402</u>	Asm, Latch, Tailgate, Rh	1
25	<u>105192901</u>	Nut, Acorn, M6, Lock, Silver	2
26	<u>105193001</u>	Screw, 6 Lobe, M6 X 35	2
27	<u>105196201</u>	Cap, Corner, Rear, Cargo Bed	1
28	<u>105205201</u>	Screw, 10-24 X .36, St Torx	1
29	<u>47563313002</u>	Weldment, Pivot, Tailgate, Rh	1
30	N/A	Panel, Cargo Box, Rh, Long	1
31	<u>96705199</u>	Washer, M6	2
32	<u>105200901</u>	Asm, Cargo Box,Corner,DS (includes items 33 through 35)	1
33	N/A	Extr, Bed Corner, Lh	1
34	<u>105196101</u>	Cap, Corner, Frt, Cargo Bed	1
35	<u>105205201</u>	Screw, 10-24 X .36, St Torx	2
36	<u>105201001</u>	Asm,Cargo Box,Corner,PS (includes items 37 through 39)	1
37	N/A	Extr, Bed Corner, Rh	1
38	<u>105196101</u>	Cap, Corner, Frt, Cargo Bed	1
39	<u>105205201</u>	Screw, 10-24 X .36, St Torx	2
40	<u>324</u>	Screw, 1/4-20 X 2.50 Hx Hd Cap	3
41	<u>47621599001</u>	Panel, Cargo Box, Frt	1
42	<u>96705199</u>	Washer, M6	12

1

E

1

E



001152-001

CARGO BOX KIT (PAGE 2 OF 2)

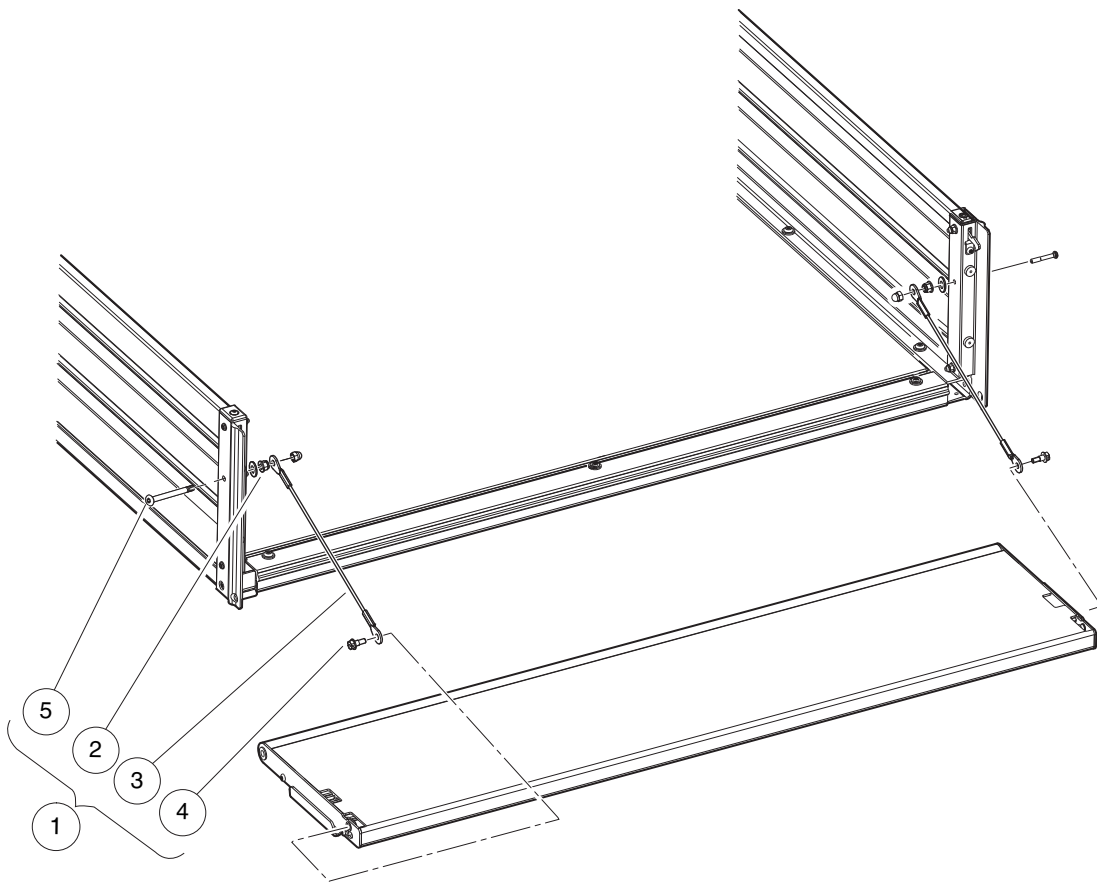
ITEM	PART NO.	DESCRIPTION	QTY
		1 2 3 4	
1	<u>105128101</u>	Asm, Tailgate, Wide Handle (includes items 2 through 12)	1
2	<u>1015363</u>	Bushing, Snap-In	2
3	<u>102554512</u>	Screw M5-08x12 Torx Pn Trs	4
4	<u>102590801</u>	Bumper, Rubber	3
5	<u>105128201</u>	Handle, Tailgate, Wide	1
6	N/A	Panel, Tailgate, Wide	1
7	<u>105130301</u>	Bracket, End, Tailgate, Lh	1
8	<u>105130302</u>	Bracket, End, Tailgate, Rh	1
9	<u>105130501</u>	Pin, Latch, Tailgate	4
10	<u>105165901</u>	Decal, Branding, Club Car Logo	1
11	<u>105216201</u>	Spring, Return, Handle	2
12	<u>7049</u>	Bushing, Nylon	2

1

E

1

E



001160-002

TAILGATE TEATHER

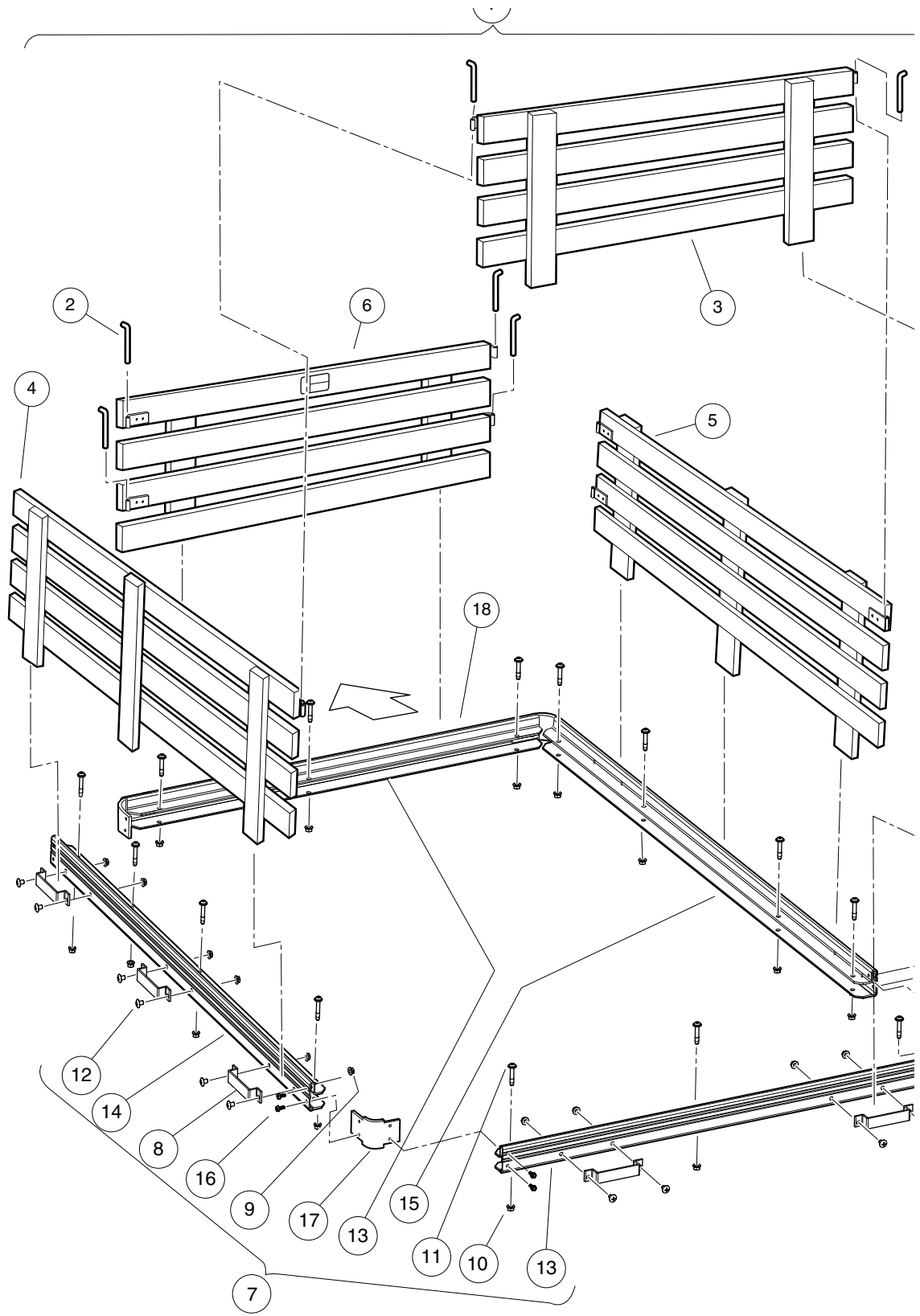
ITEM	PART NO.	DESCRIPTION	QTY
		1 2 3 4	
1	<u>105127302</u>	Kit, Tether, Tailgate (includes items 2 through 5)	1
2	<u>102621501</u>	Nut, Flange, M6 X 1.0, Nylon	2
3	<u>105128001</u>	Cable, Tether, Tailgate	2
4	<u>105129901</u>	Screw, Shoulder, Self Thread	2
5	<u>105193101</u>	Screw, 6 Lobe, M6 X 50	2

1

E

1

E



STAKE SIDE KIT – LONG

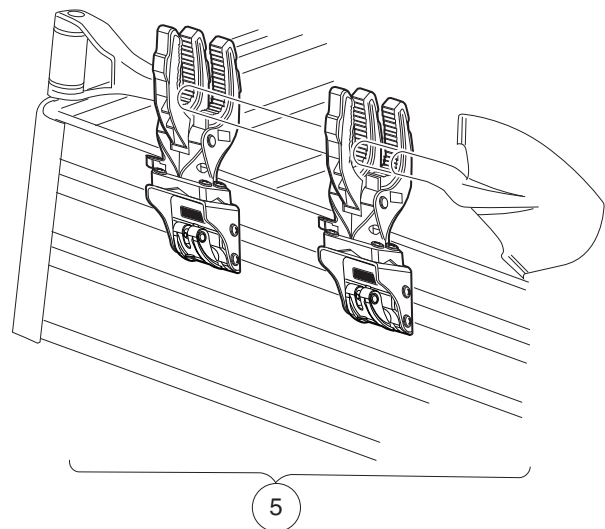
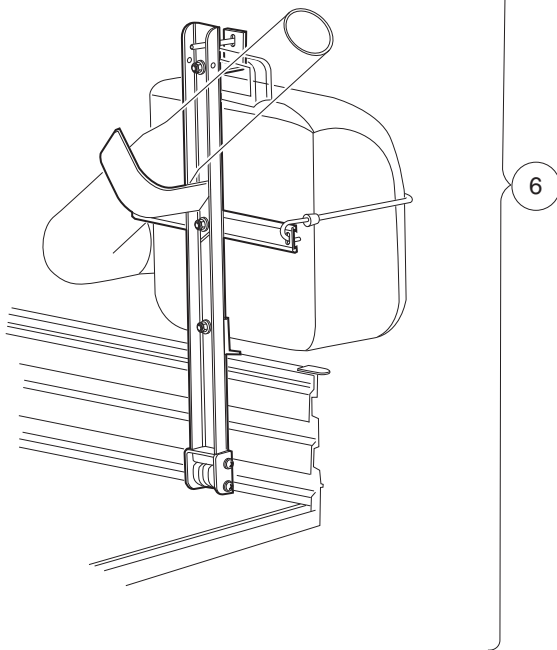
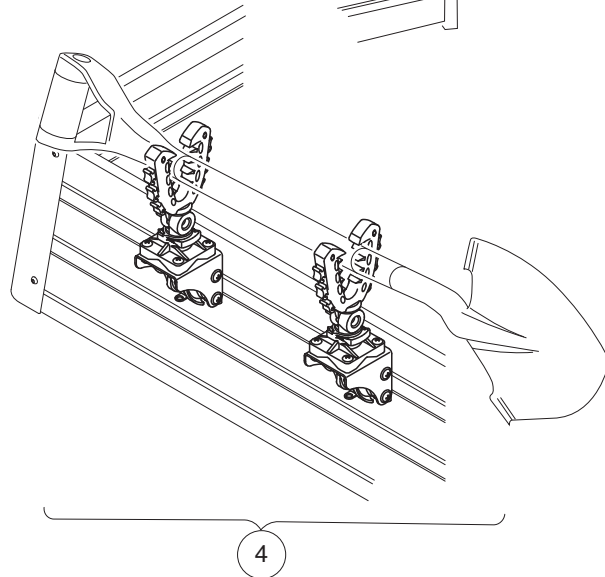
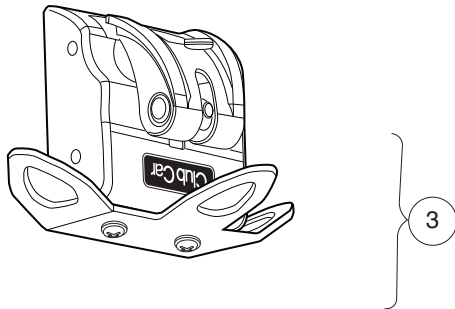
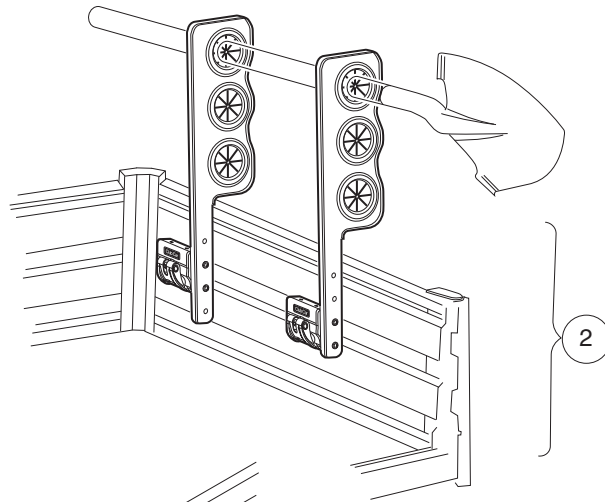
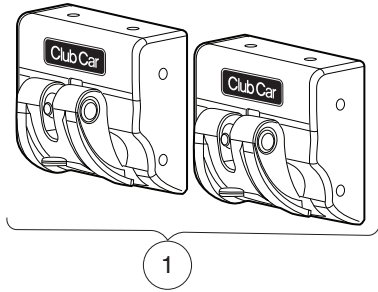
ITEM	PART NO.	DESCRIPTION	QTY
		1 2 3 4	
1	<u>105109601</u>	Kit, Stake Side, Long (includes items 2 through 7)	1
2	<u>1015656</u>	Pin, hinge	6
3	<u>102847603</u>	Asm, Stake Side, 48 X 19 Rear	1
4	<u>105113401</u>	Stake Side, Ca Large, Lh	1
5	<u>105113402</u>	Stake Side, Ca Large, Rh	1
6	<u>105129501</u>	Stake Side, Front, Ca, 50"	1
7	<u>105148503</u>	Asm, Trim, Stake Side, Long (includes items 8 through 18)	1
8	<u>1016077</u>	Bracket, Stake Side	8
9	<u>101963401</u>	Locknut, 5/16-18 Hex Flange	16
10	<u>102298401</u>	Nut,m8,all Metal Lock	14
11	<u>102299550</u>	Screw,m8x50,sems,tx,bttn,plt	16
12	<u>105129601</u>	Screw, Phl Trus Hd, 5/16-18x.5	16
13	<u>105148601</u>	Trim, Stake Side, Cen, Rear	1
14	<u>105148901</u>	Trim, Stake Side, Long, Lh	1
15	<u>105148902</u>	Trim, Stake Side, Long, Rh	1
16	<u>105185701</u>	Pan Head Screw, M6 X 16 Tt	16
17	<u>105185801</u>	Bracket,Bed Corner,CA	4
18	<u>105194801</u>	Trim, Bed, Cntr, Front	1

1

E

1

E



001167-003

MODULAR BED ACCESSORIES

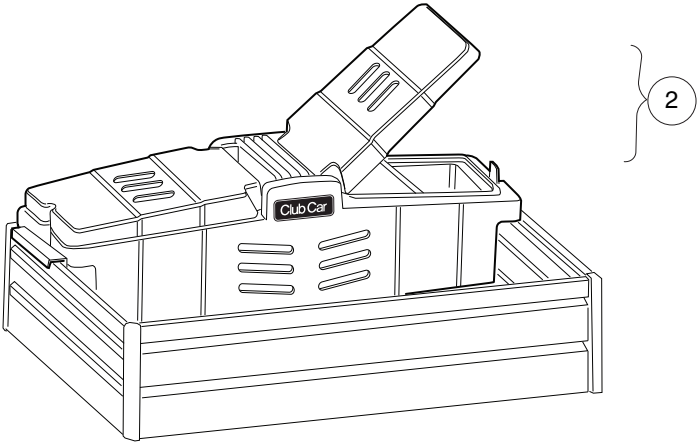
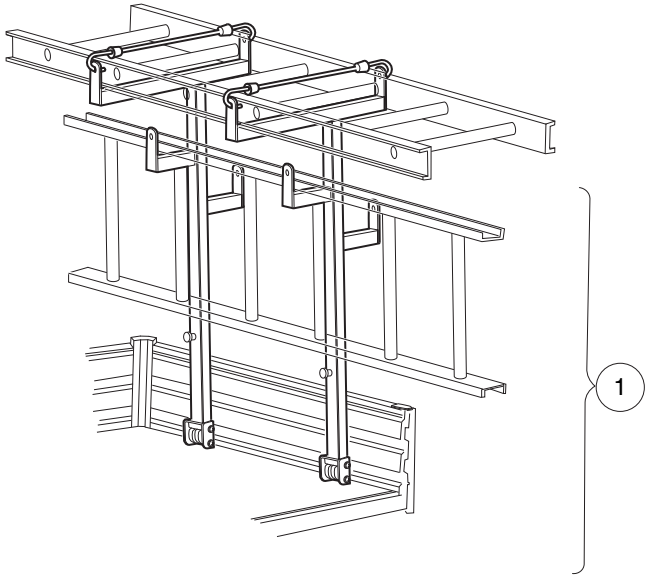
ITEM	PART NO.	DESCRIPTION	QTY
		1 2 3 4	
1	<u>105160401</u>	Bed Clamp, Set	1
2	<u>105160801</u>	Kit, Tool Rack	1
3	<u>105160901</u>	Kit, Tie Down	1
4	<u>105161001</u>	Kit, Ratcheting Grip	1
5	<u>105161101</u>	Kit, Static Grip	1
6	<u>105161401</u>	Kit, Holder, Leaf Blower	1
Note: Component part numbers unavailable at publication.			

1

E

1

E



001168-001

MODULAR BED ACCESSORIES

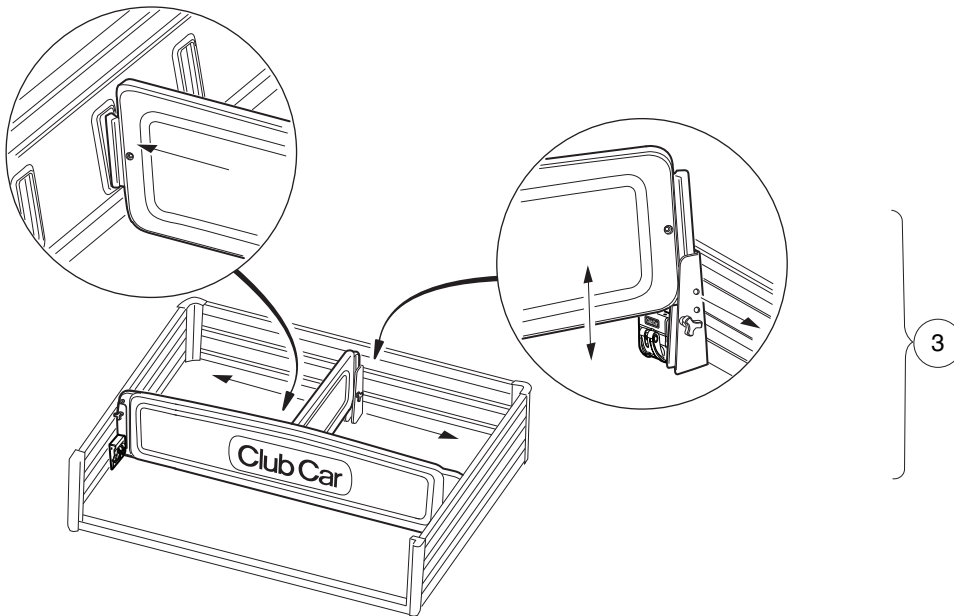
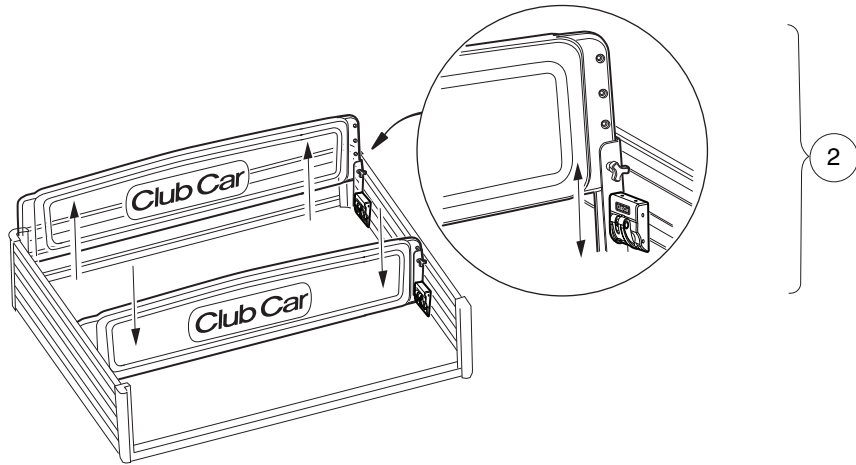
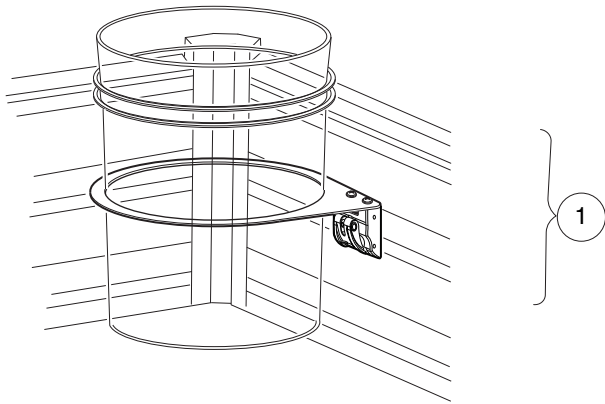
ITEM	PART NO.	DESCRIPTION	QTY
1	<u>105161501</u>	1 2 3 4 Kit, Rack, Ladder	1
2	105161601	Kit, Toolbox	1
<p>Note: Component part numbers unavailable at publication.</p>			

1

E

1

E



001169-001

MODULAR BED ACCESSORIES

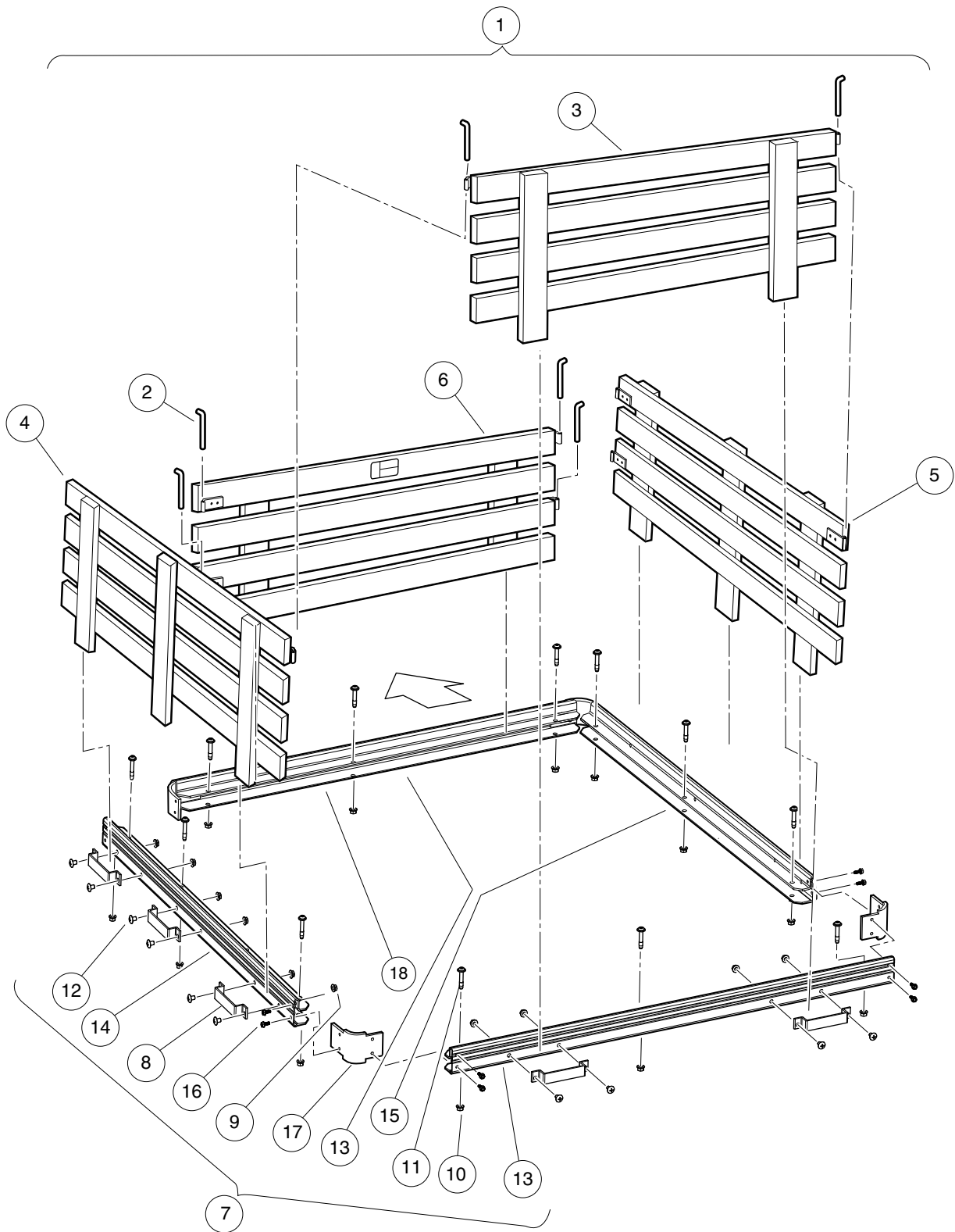
ITEM	PART NO.	DESCRIPTION	QTY
		1 2 3 4	
1	<u>105160501</u>	Kit, Holder, Bucket	1
2	<u>105161201</u>	Kit, Bed Divider/extension	1
3	<u>105161301</u>	Kit, Bed Divider, Short	1
		Note: Component part numbers unavailable at publication.	

1

E

1

E



001130-001

STAKE SIDE KIT – MEDIUM

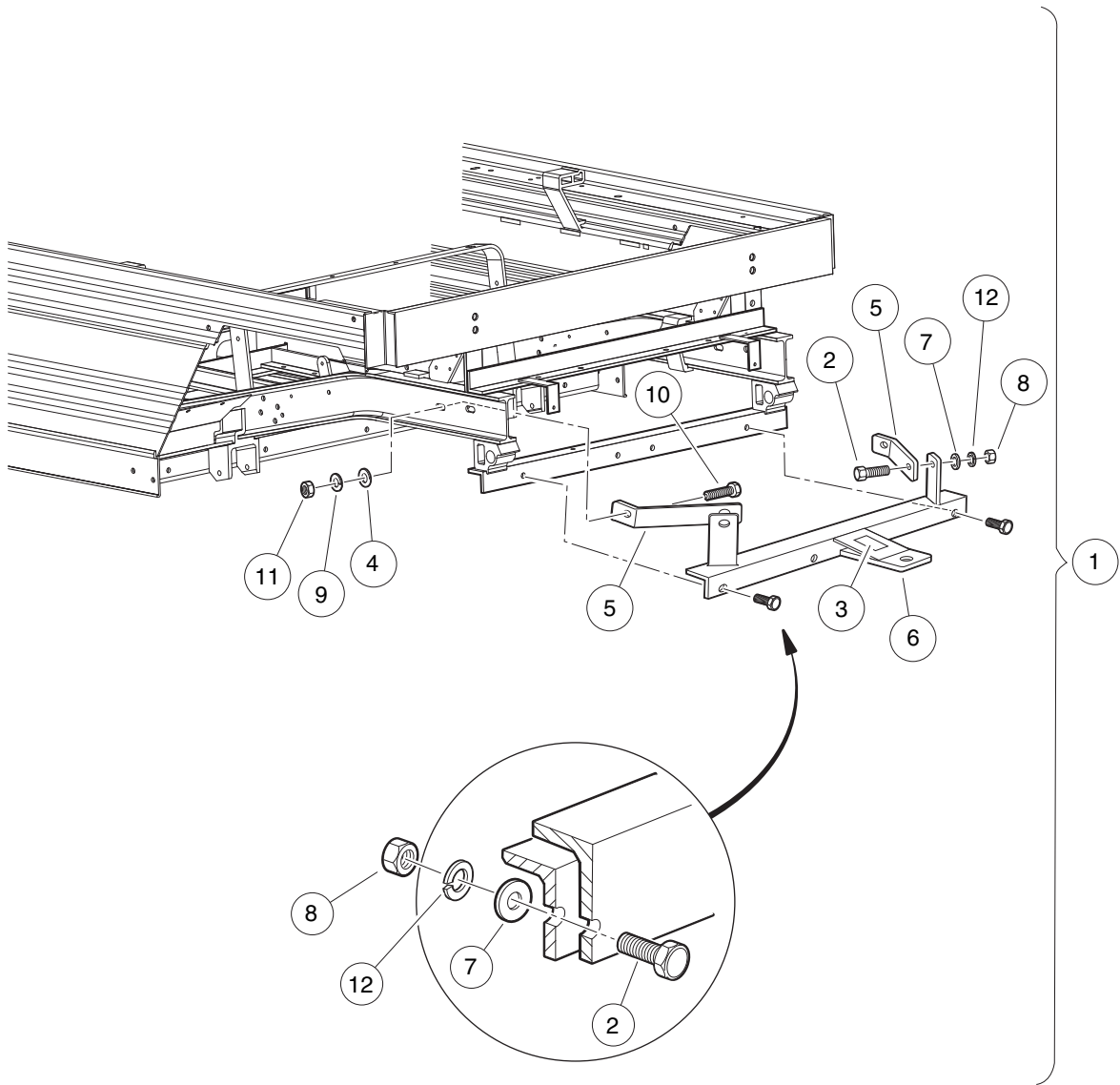
ITEM	PART NO.	DESCRIPTION	QTY
		1 2 3 4	
1	<u>105109501</u>	Kit, Stake Side, Med (includes items 2 through 7)	1
2	<u>1015656</u>	Pin, hinge	6
3	<u>102847603</u>	Asm, Stake Side, 48 X 19 Rear	1
4	<u>105113301</u>	Stake Side, Ca Med, Lh	1
5	<u>105113302</u>	Stake Side, Ca Med, Rh	1
6	<u>105129501</u>	Stake Side, Front, Ca, 50"	1
7	<u>105148502</u>	Asm, Trim, Stake Side, Med (includes items 8 through 18)	1
8	<u>1016077</u>	Bracket, Stake Side	8
9	<u>101963401</u>	Locknut, 5/16-18 Hex Flange	16
10	<u>102298401</u>	Nut,m8,all Metal Lock	14
11	<u>102299550</u>	Screw,m8x50,sems,tx,bttn,plt	14
12	<u>105129601</u>	Screw, Phl Trus Hd, 5/16-18x.5	16
13	<u>105148601</u>	Trim, Stake Side, Cen, Rear	1
14	<u>105148801</u>	Trim, Stake Side, Med, Lh	1
15	<u>105148802</u>	Trim, Stake Side, Med, Rh	1
16	<u>105185701</u>	Pan Head Screw, M6 X 16 Tt	16
17	<u>105185801</u>	Bracket, Bed Corner, CA	4
18	<u>105194801</u>	Trim, Bed, Cntr, Front	1

1

E

1

E



001132-001

HEAVY DUTY TRAILER HITCH

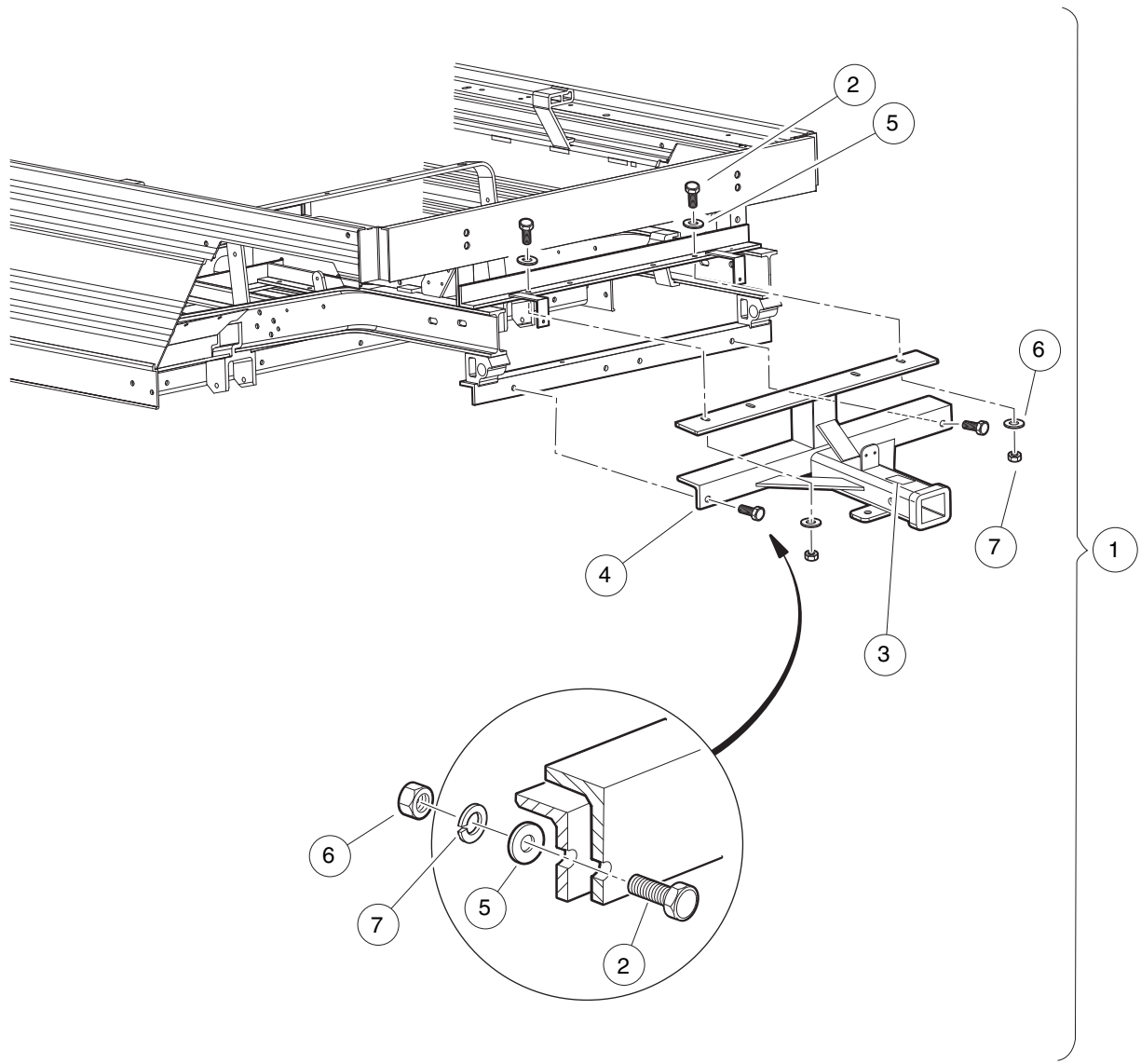
ITEM	PART NO.	DESCRIPTION	QTY
		1 2 3 4	
1	<u>1015445</u>	Kit, Trailer Hitch (includes items 2 through 12)	1
2	<u>1010934</u>	Screw, 5/16-18 X 1.00 Hex Cap	4
3	<u>1011553</u>	Decal, Trailer Hitch	1
4	<u>1011990</u>	Washer, 3/8 Flat	2
5	<u>1013483</u>	Brace, Trailer Hitch	2
6	N/A	Asm, Trailer Hitch	1
7	<u>1241</u>	Washer, 5/16 Type A Flat	4
8	<u>1242</u>	Nut, 5/16-18 Hex	4
9	<u>357</u>	Lockwasher, 3/8 Split	2
10	705	Screw, Cap-hex Hd 3/8-16x1.25	2
11	<u>706</u>	Nut, Hex 3/8-16	2
12	<u>7174</u>	Lockwasher, 5/16 Split	4

1

E

1

E



001133-001

REAR RECIEVER HITCH

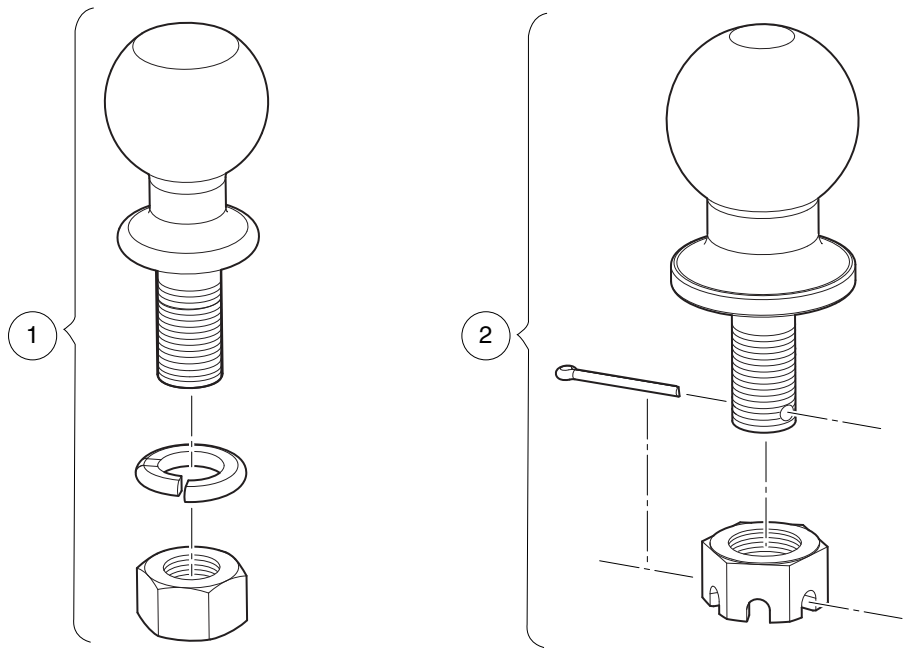
ITEM	PART NO.	DESCRIPTION	QTY
		1 2 3 4	
1	<u>102065103</u>	Kit, Rear Receiver (includes items 2 through 7)	1
2	<u>1010934</u>	Screw, 5/16-18 X 1.00 Hex Cap	6
3	<u>1011553</u>	Decal, Trailer Hitch	1
4	<u>102056001</u>	Rear Receiver Weld Asm	1
5	<u>1241</u>	Washer, 5/16 Type A Flat	6
6	<u>1242</u>	Nut, 5/16-18 Hex	6
7	<u>7174</u>	Lockwasher, 5/16 Split	6

1

E

1

E



001137-001

TRAILER HITCH BALL

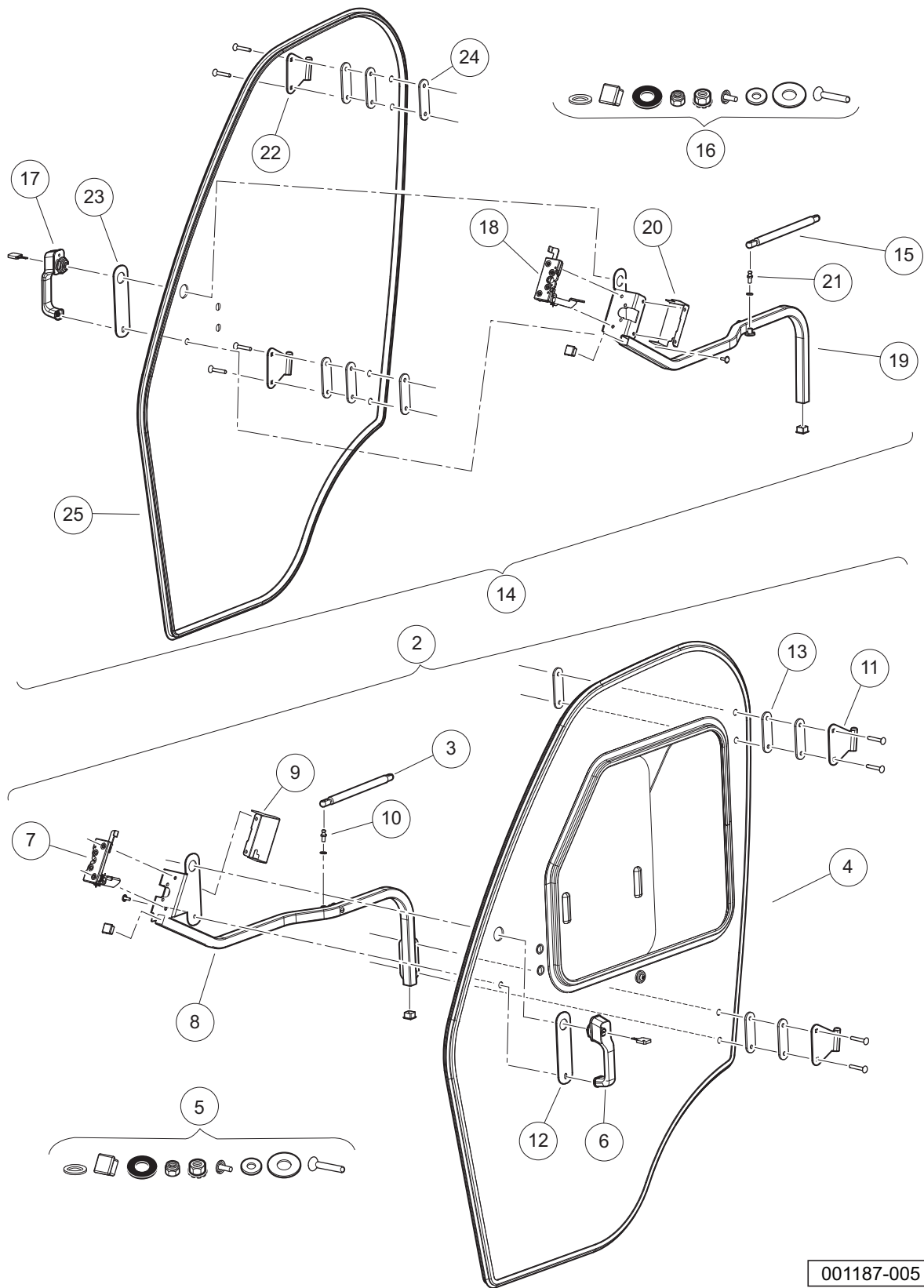
ITEM	PART NO.	DESCRIPTION	QTY
1	<u>1011546</u>	1 2 3 4 Trailer Hitch Ball - 1 7/8"	1
2	<u>104033601</u>	Ball, Trailer Hitch, 50mm	1

1

E

1

E



001187-005

CAB DOORS – GLASS WITH LH SLIDING WINDOW

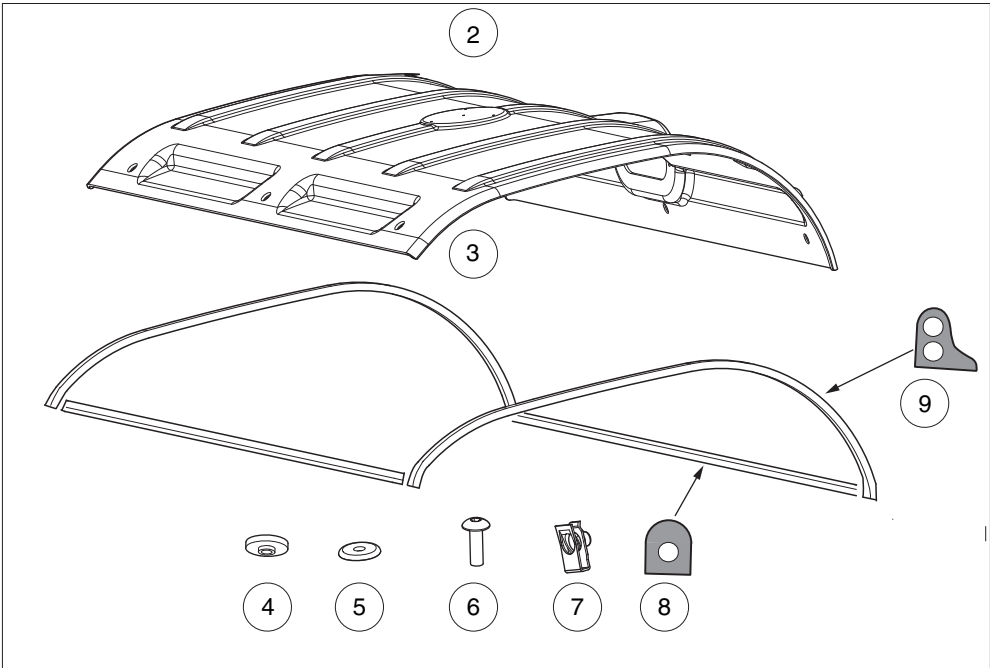
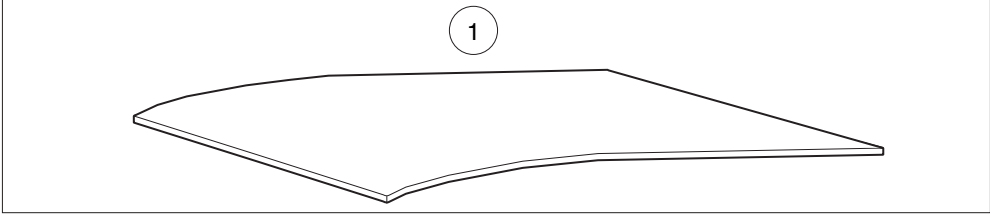
ITEM	PART NO.	DESCRIPTION	QTY
		1 2 3 4	
1	105097301	Kit, Doors, Glass, w/Sliding Windows, LH only (includes items 2 through 14)	1
2	<u>105181701</u>	Glass Door Asm, Lh (includes items 3 through 13)	1
3	<u>104001201</u>	Gas Spring	1
4	<u>105181801</u>	Glass Door Replacement, Lh	1
5	<u>105181901</u>	Hardware Kit, Glass Door	1
6	<u>105182001</u>	Handle, Push Button	1
7	<u>105182101</u>	Latch, Glass Door, Lh	1
8	<u>105182201</u>	Handle, Glass Door, Lh	1
9	<u>105182301</u>	Cover, Latch, Lh	1
10	<u>105182401</u>	Spring, Ball Stud	1
11	<u>105182501</u>	Hinge, Door	2
12	<u>105182601</u>	Spacer, Handle	1
13	<u>105182701</u>	Plate, Upper Hinge	1
14	<u>105182901</u>	Glass Door Asm, Rh (includes items 15 through 25)	1
15	<u>104001201</u>	Gas Spring	1
16	<u>105181901</u>	Hardware Kit, Glass Door	1
17	<u>105182001</u>	Handle, Push Button	1
18	<u>105182102</u>	Latch, Glass Door, Rh	1
19	<u>105182202</u>	Handle, Glass Door, Rh	1
20	<u>105182302</u>	Cover, Latch, Rh	1
21	<u>105182401</u>	Spring, Ball Stud	1
22	<u>105182501</u>	Hinge, Door	2
23	<u>105182601</u>	Spacer, Handle	1
24	<u>105182701</u>	Plate, Upper Hinge	1
25	<u>105183001</u>	Glass Door Replacement, Rh	1

1

E

1

E



001183-002

CAB ROOF

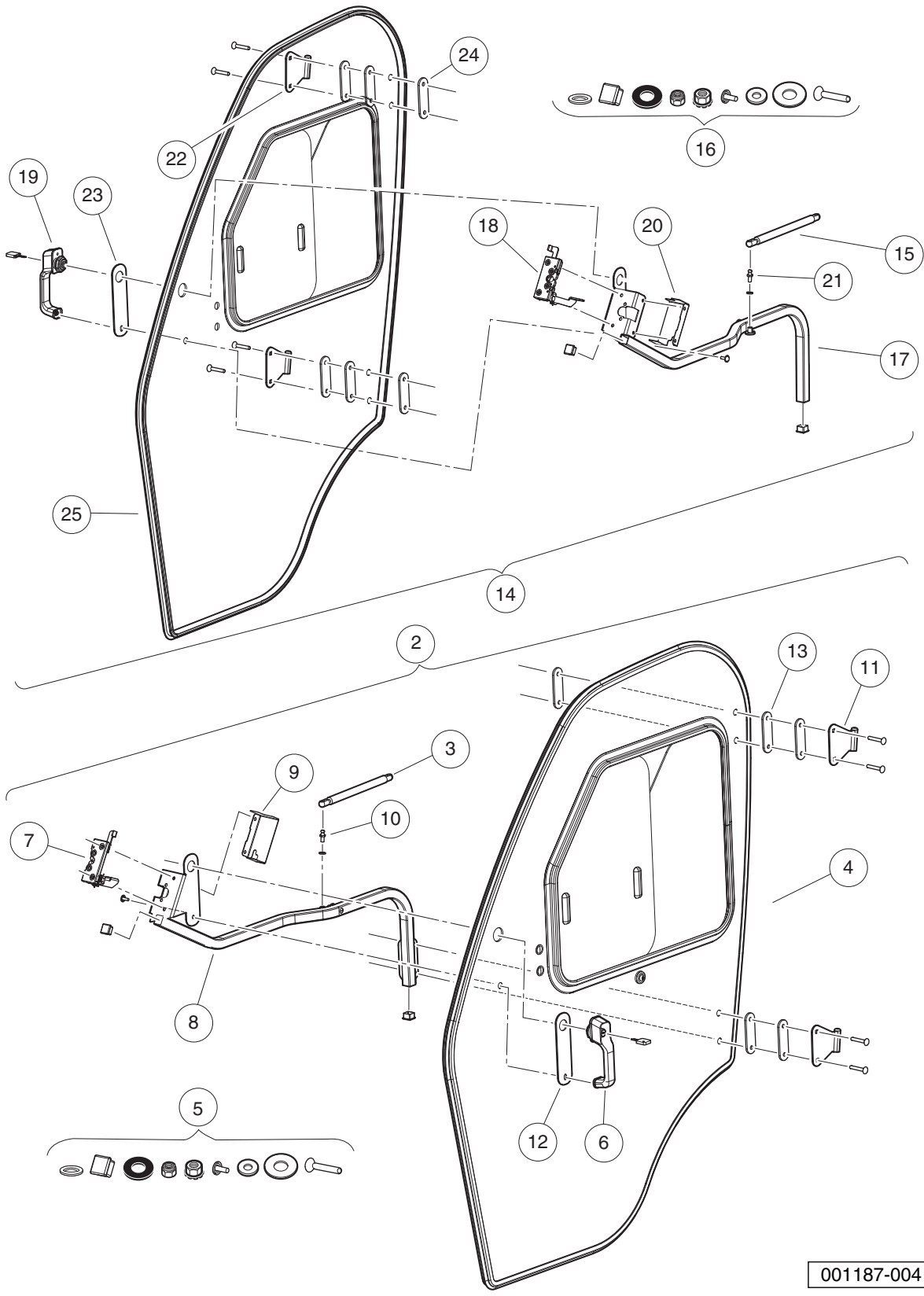
ITEM	PART NO.	DESCRIPTION	QTY
		1 2 3 4	
1	<u>105097001</u>	Cab, Canopy, Liner Kit	1
2	<u>47552857001</u>	Kit, Cab LSV Roof (includes items 3 through 9)	1
3	<u>47553011001</u>	Roof, Cab, LSV	1
4	<u>47553013001</u>	Washer, Rubber, 5/16 ID-1-1/4 OD in.	10
5	<u>47553014001</u>	Washer, Chamfered, 5/16 ID-1-1/4 OD in.	10
6	<u>47553015001</u>	Screw, Torx, Pan-Hed, 5/16-18 x 1-1/4 in.	10
7	<u>47554192001</u>	Clip Nut, 5/16-18	10
8	<u>47570761001</u>	D-Seal, Roof	2
9	<u>47570762001</u>	P-Seal, Roof	2

1

E

1

E



001187-004

CAB DOORS – GLASS WITH LH & RH SLIDING WINDOWS

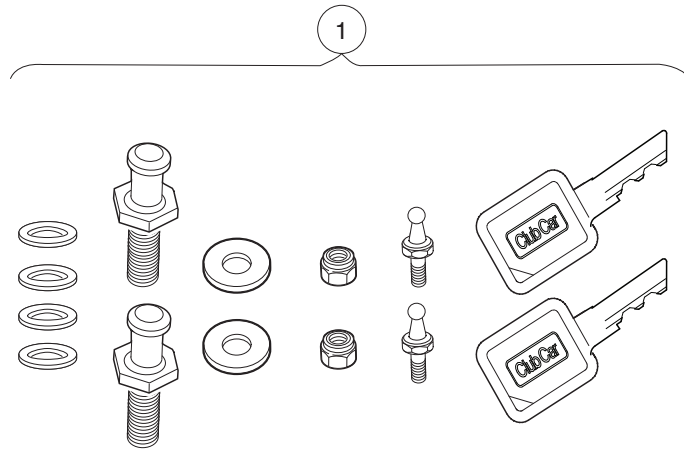
ITEM	PART NO.	DESCRIPTION	QTY
		1 2 3 4	
1	<u>105245901</u>	Kit, Doors, Glass, w/Sliding Windows, LH/RH (includes items 2 through 14)	1
2	<u>105181701</u>	Glass Door Asm, Lh (includes items 3 through 13)	1
3	<u>104001201</u>	Gas Spring	1
4	<u>105181801</u>	Glass Door Replacement, Lh	1
5	<u>105181901</u>	Hardware Kit, Glass Door	1
6	<u>105182001</u>	Handle, Push Button	1
7	<u>105182101</u>	Latch, Glass Door, Lh	1
8	<u>105182201</u>	Handle, Glass Door, Lh	1
9	<u>105182301</u>	Cover, Latch, Lh	1
10	<u>105182401</u>	Spring, Ball Stud	1
11	<u>105182501</u>	Hinge, Door	2
12	<u>105182601</u>	Spacer, Handle	1
13	<u>105182701</u>	Plate, Upper Hinge	1
14	<u>105265301</u>	Asm, Glass Door, Rh, W/slider (includes items 15 through 25)	1
15	<u>104001201</u>	Gas Spring	1
16	<u>105181901</u>	Hardware Kit, Glass Door	1
17	<u>105182002</u>	Handle, Glass Door, RH	1
18	<u>105182102</u>	Latch, Glass Door, Rh	1
19	<u>105182202</u>	Handle, Glass Door, Rh	1
20	<u>105182302</u>	Cover, Latch, Rh	1
21	<u>105182401</u>	Spring, Ball Stud	1
22	<u>105182501</u>	Hinge, Door	2
23	<u>105182601</u>	Spacer, Handle	1
24	<u>105182701</u>	Plate, Upper Hinge	1
25	<u>105265401</u>	Asm, Glass Dr Repl, Rh, W/sldr	1

1

E

1

E



001438-001

HARDWARE KIT, DOOR STRIKER

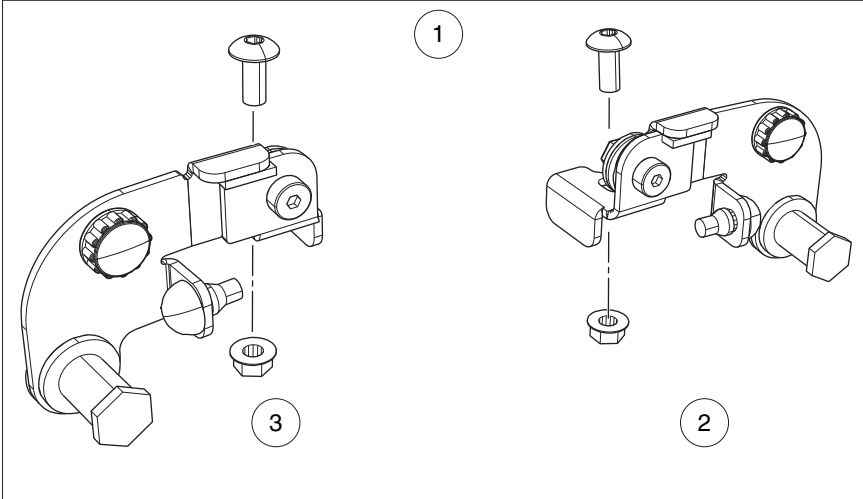
ITEM	PART NO.	DESCRIPTION	QTY
1	<u>105182801</u>	<div style="display: flex; justify-content: space-between; margin-bottom: 5px;"> 1 2 3 4 </div> Hardware Kit, Door Striker	1

1

E

1

E



001143-002

CAB DOORS – VENT

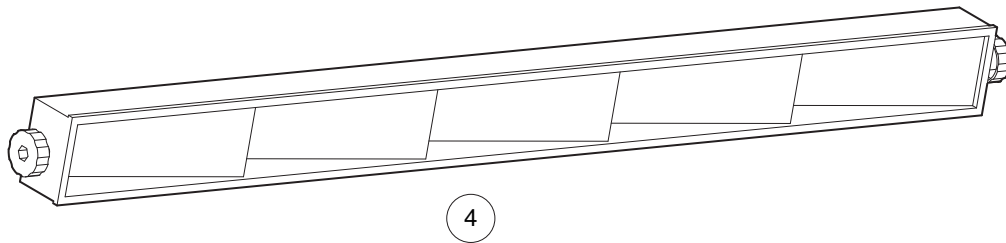
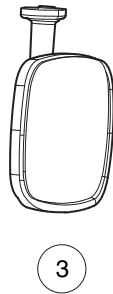
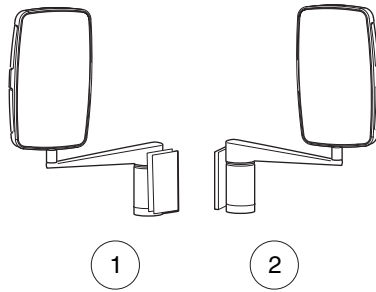
ITEM	PART NO.	DESCRIPTION	QTY
		1 2 3 4	
1	105097501	Cab, Door, Vent Kit (includes items 2 and 3)	1
2	<u>105178301</u>	Door Vent Lh	1
3	<u>105178401</u>	Door Vent Rh	1

1

E

1

E



001198-001

CAB - MIRRORS

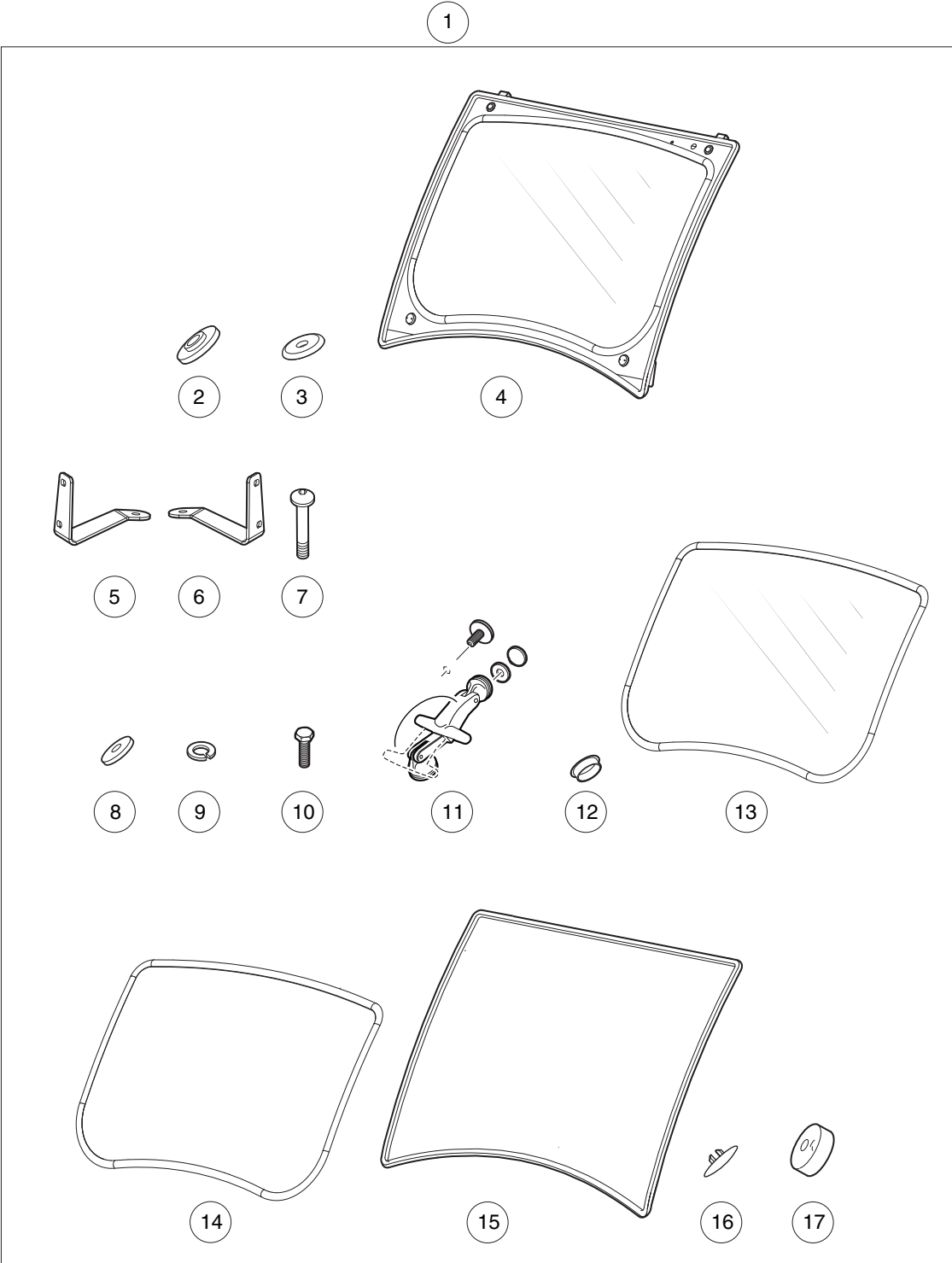
ITEM	PART NO.	DESCRIPTION	QTY
		1 2 3 4	
1	<u>105098501</u>	Cab, Mirror, Left Hand Kit	1
2	<u>105098502</u>	Cab Passenger Side Mirror Kit	1
3	<u>105098701</u>	Cab, Mirror, Interior Kit	1
4	<u>105289301</u>	Kit, Mirror, 5 Panel, Cab	1

1

E

1

E



001186-005

CAB – WINDSHIELD (LSV)

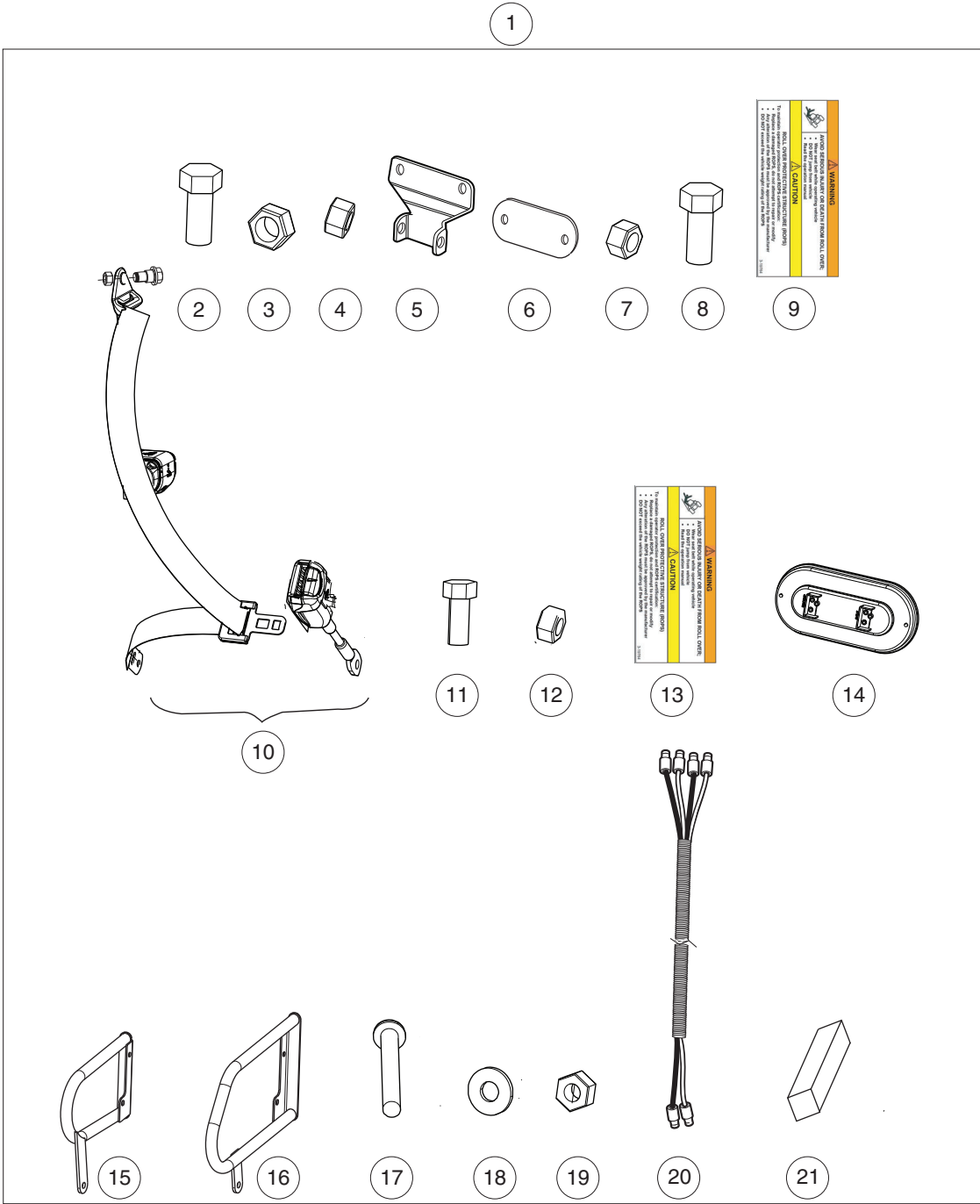
ITEM	PART NO.	DESCRIPTION	QTY
		1 2 3 4	
1	47552861001	Kit, Windhshield, Cab, LSV (includes items 2 through 17)	1
2	47553013001	Washer, Rubber, 5/16 ID-1-1/4 OD in.	4
3	47553014001	Washer, Chamfered, 5/16 ID-1-1/4 OD in.	2
4	47553022001	ASM, Windshield, Laminated, LSV	1
5	47553025001	Mount, T-Handle (passenger side)	1
6	47553025002	Mount, T-Handle (driver side)	1
7	47553026001	Screw, Pan-Head Torx, 5/16-18 x 1-1/2 in.	2
8	47553027001	Washer, Flat, 3/8 x 7/8 in.	6
9	47553028001	Washer, Lock, 5/16 in.	2
10	47553029001	Screw, Hex-Head, M8 x 16 mm	6
11	47553030001	ASM, T-Handle	2
12	47553031001	Plug, Hole, Female, 5/8 in.	1
13	47553939001	ASM, Windshield, Laminated with Seal	1
14	47553940001	Seal, Windshield, Laminated	1
15	47553942001	Seal, Windshield Frame	1
16	47553943001	Plug, Hole, Female, 1/4 in.	1
17	47553948001	Plastic Spacer	2

1

E

1

E



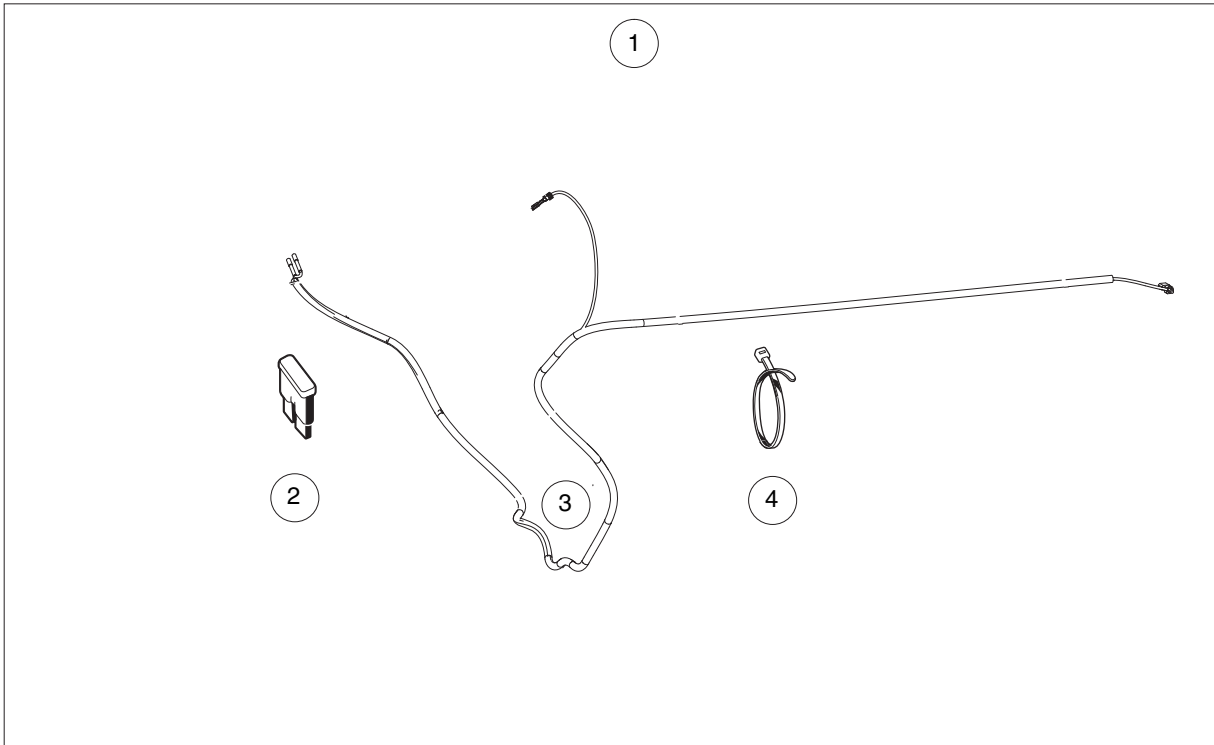
001180-005

CAB – 3-POINT SEAT BELTS (LSV)

ITEM	PART NO.	DESCRIPTION	QTY	
		1 2 3 4		1
1	47552866001	Kit, 3-Point Seat Belt, LSV (includes items 2 through 21)	1	
2	47552872001	Screw, 3/8-16 X 1", Hex Hd Cap	4	E
3	47552874001	Locknut, 3/8-16 Hex	2	
4	47554722001	Locknut, Hex, 7/16-14	4	
5	47554723001	Bracket, Center Mount, 2-Point Seat Belt	1	
6	47554724001	Plate, Backing, Center Mount, 2-Point Seat Belt	1	
7	47554727001	Locknut, Center, 3/8-16 in.	2	
8	47554728001	Screw, Cap, Hex-Head, 7/16-14 x 1 in.	4	
9	47554730001	Decal, Warn, Rops	1	
10	47555146001	ASM, 3-Point Seat Belt	2	
11	47555147001	Screw, Hex-Head Cap, 7/16-20 x 1 in.	2	
12	47555148001	Hexnut, 7/16-20 in.	2	
13	47555149001	Decal, Warn, Rops, 3 Pt Sb	1	
14	47555150001	Light, Rear, CHMSL, Cab	1	
15	47555151001	Hip Restraint, Driver Side	1	
16	47555152001	Hip Restraint, Passenger Side	1	
17	47555155001	Screw, Pan-Head, 8-32 x 1-1/2 in.	2	
18	47555156001	Washer, Flat, #8	2	
19	47555157001	Locknut, Hex, 8-32 in.	2	
20	47555158001	Wire Harness, CHMSL	1	
21	47555160001	Seal, Foam, 1 x 1 in.	1	

1

E



001193-001

CAB – ELECTRICAL, POWER HARNESS, ELECTRIC VEHICLE TO CAB

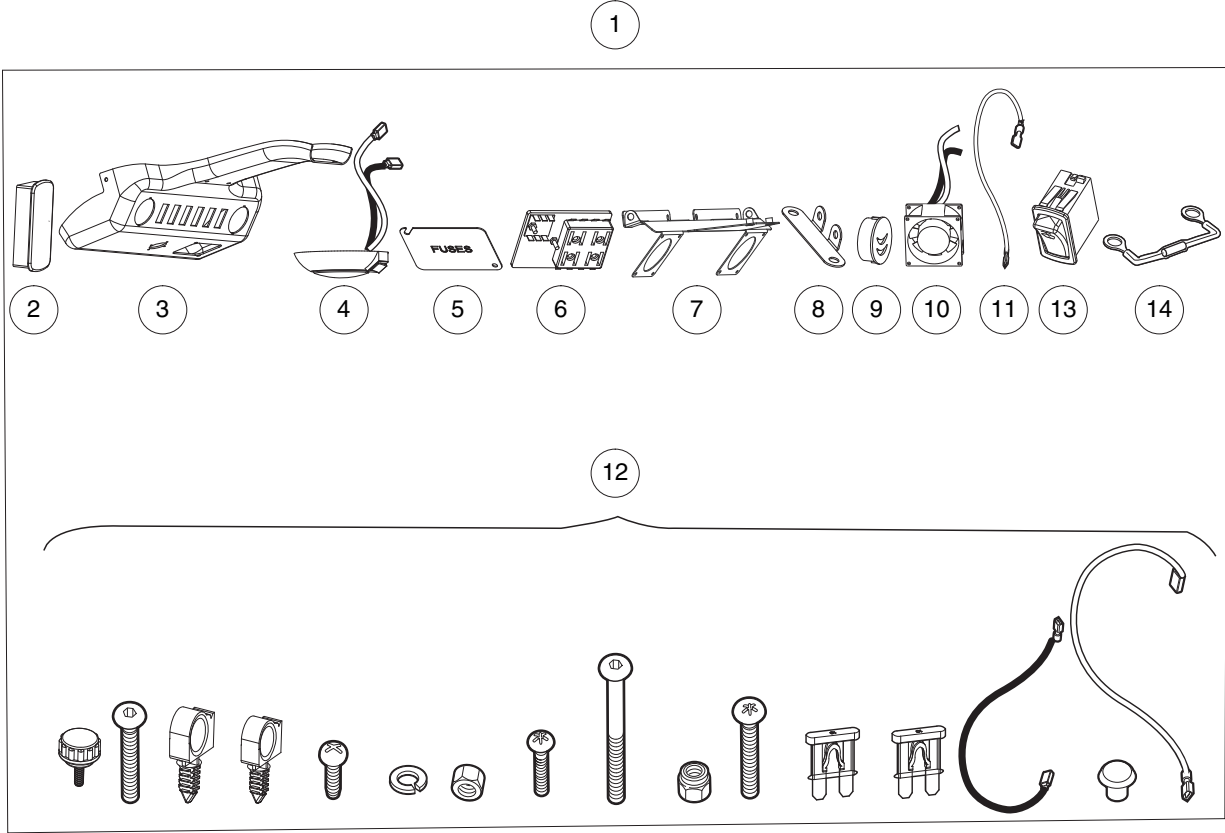
ITEM	PART NO.	DESCRIPTION	QTY
		1 2 3 4	
1	<u>105234002</u>	Kit, Cab Pwr Harness, Elec (includes items 2 through 4)	1
2	<u>105114807</u>	Fuse, Mini, Atm, 15 Amp	1
3	<u>105205501</u>	Harn, Pwr Supply, Cab	1
4	<u>8639</u>	Tie Wrap, 11" Nylon	5

1

E

1

E



001188-002

CAB – ELECTRICAL, OVERHEAD CONSOLE

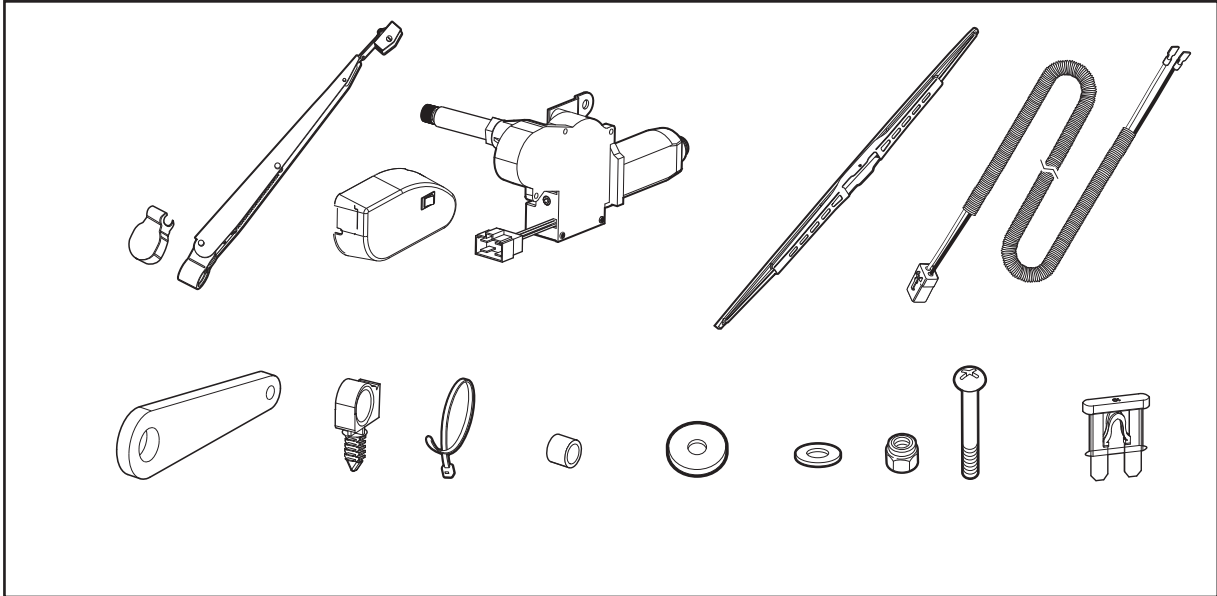
ITEM	PART NO.	DESCRIPTION	QTY
		1 2 3 4	
1	<u>105097901</u>	Cab, Overhead Console, Kit (includes items 2 through 14)	1
2	<u>103180101</u>	Cover, Hole, Switch, Rocker	5
3	<u>105179001</u>	Overhead Console Asm	1
4	<u>105179101</u>	Cab, Dome Light	1
5	<u>105179201</u>	Cab, Fuse Cover	1
6	<u>105179301</u>	Cab, Fuse Holder 8 W Grnd	1
7	<u>105179401</u>	Front Fan Bracket, Asm	1
8	<u>105179501</u>	Rear Oh Console Bracket	1
9	<u>105179601</u>	Fan Louver	2
10	<u>105179701</u>	Oh Console Fan	1
11	<u>105179801</u>	Wire Jumper, Fan	1
12	<u>105179901</u>	Hardware Kit, Oh Console	1
13	<u>105183501</u>	Rocker, Fan	1
14	<u>105295301</u>	Asm, Capacitor, 0.47uf	1

1

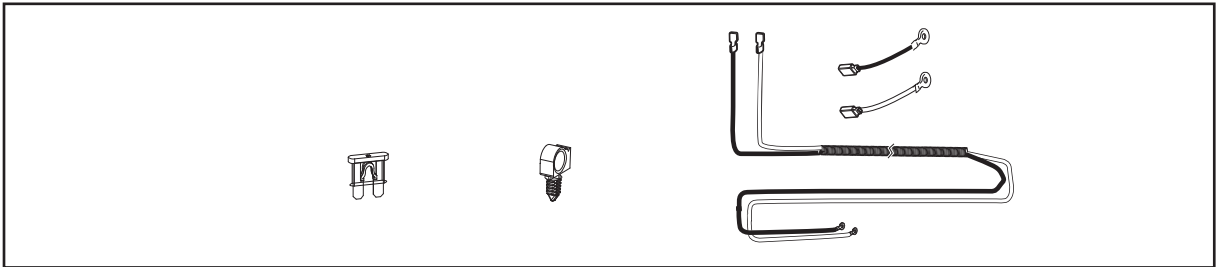
E

1

E



1



2

001190-001

CAB – ELECTRICAL, WINDSHIELD WIPER

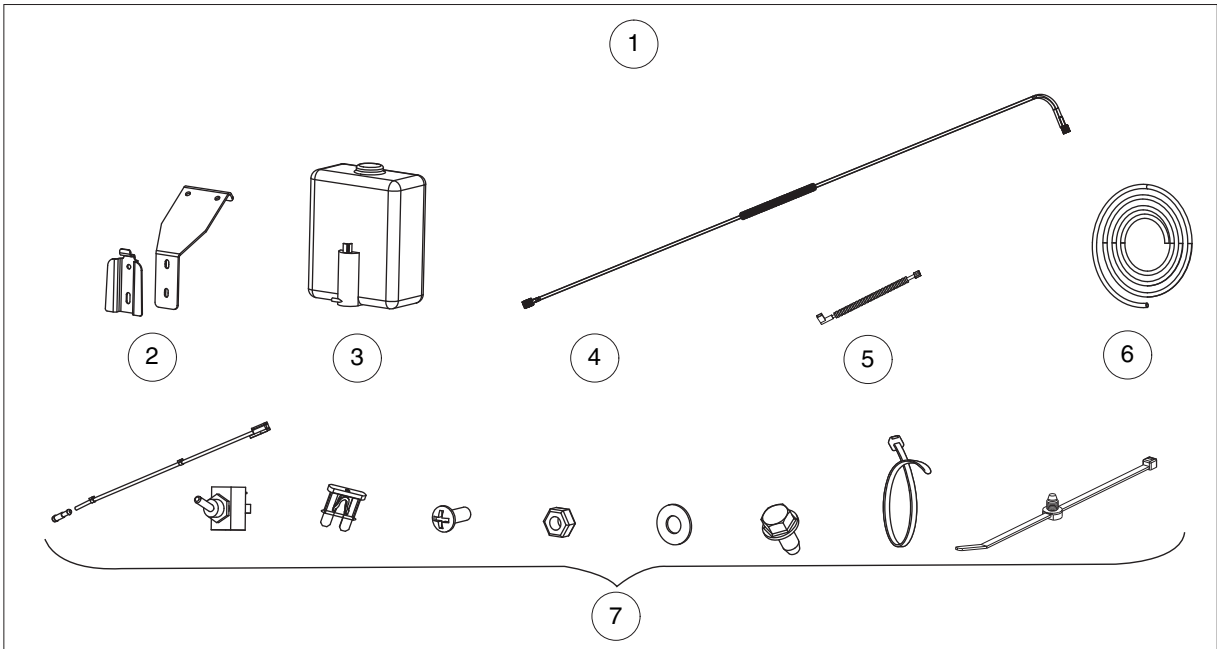
ITEM	PART NO.	DESCRIPTION	QTY
1	<u>105098001</u>	1 2 3 4 Cab, Front Wiper Kit	1
2	<u>105098002</u>	Cab, Wiper Power Harness Kit (w/o Console)	A/R
<p>Note: Vehicles not equipped with an overhead console will require kit part number <u>105098001</u>, Front Wiper Kit, and <u>105098002</u>, Cab Wiper Power Harness Kit. Vehicles equipped with an overhead console are wired for wiper power and require only the <u>105098001</u>, Front Wiper Kit.</p>			

1

E

1

E



001189-001

CAB – ELECTRICAL, WINDSHIELD WASHER

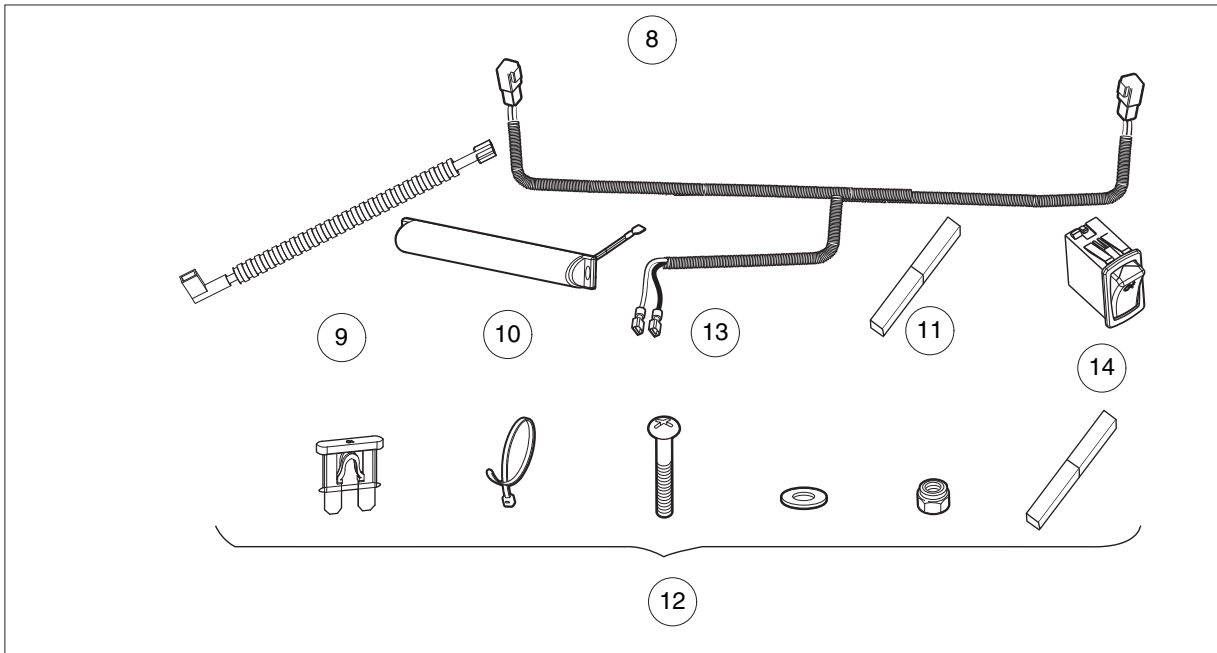
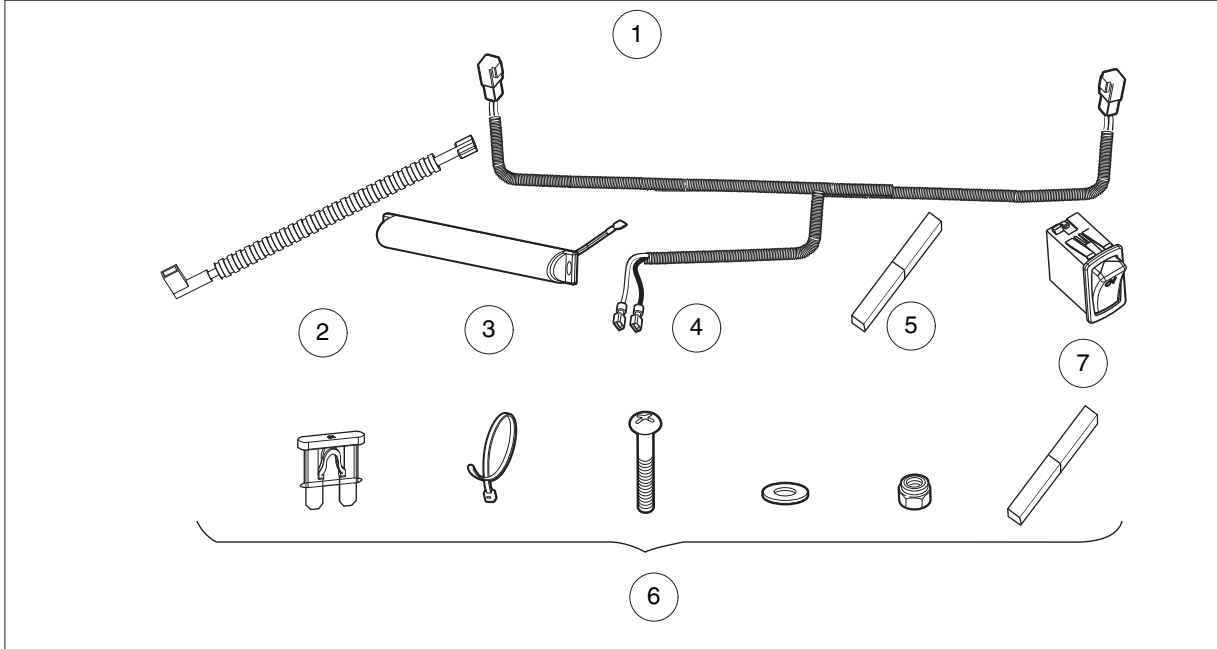
ITEM	PART NO.	DESCRIPTION	QTY
		1 2 3 4	
1	<u>105098101</u>	Cab, Front Wiper, Washer Kit (includes items 2 through 7)	1
2	<u>105180301</u>	Washer Tank Mount Plate	1
3	<u>105180401</u>	Wash Tank Asm	1
4	<u>105180501</u>	Wire Harness Sw To Pump	1
5	<u>105180601</u>	Wire Harness Fb To Sw	1
6	<u>105180701</u>	Hose 18x31x17ft	1
7	<u>105180801</u>	Hardware Kit, Wiper Washer	1

1

E

1

E



001191-001

CAB – ELECTRICAL, WORK LIGHTS

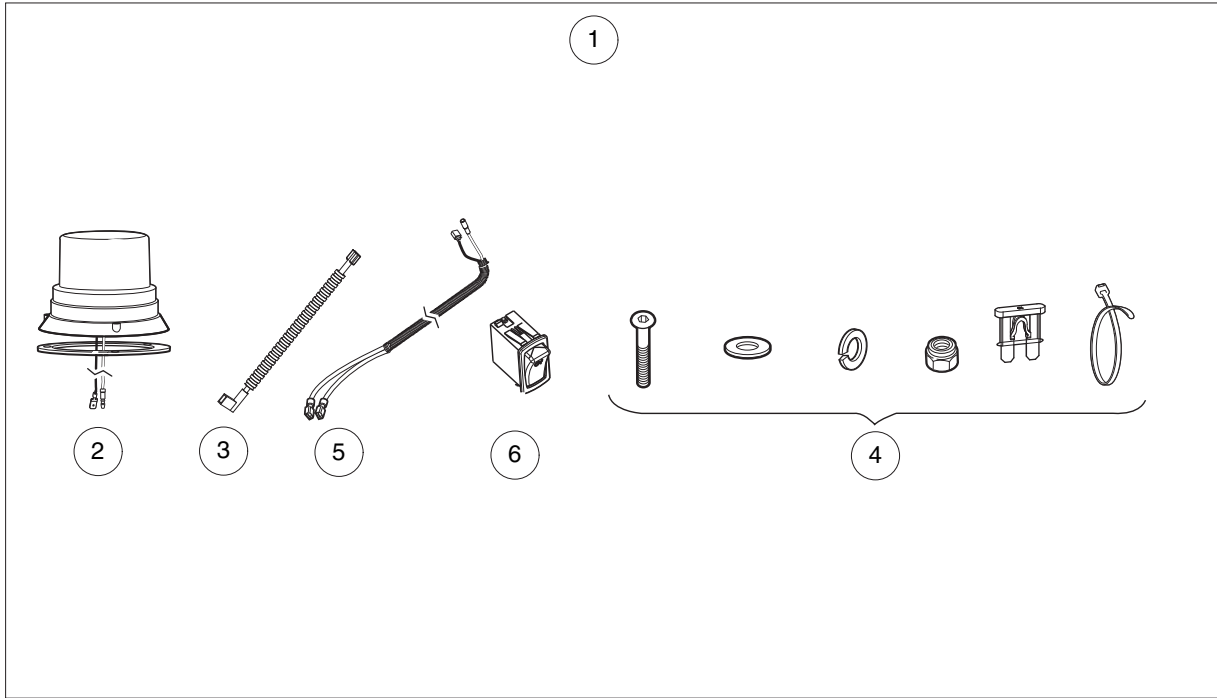
ITEM	PART NO.	DESCRIPTION	QTY
		1 2 3 4	
1	<u>105098201</u>	Cab, Front Work Light Kit (includes items 2 through 7)	1
2	<u>105180601</u>	Wire Harness Fb To Sw	1
3	<u>105180901</u>	Cab Work Light Led	2
4	<u>105181001</u>	Wire Harn Front WI	1
5	<u>105181101</u>	Work Light Tape	2
6	<u>105181301</u>	Hardware Kit, Work Light	1
7	<u>105183601</u>	Switch, Rocker, Front Work Light	1
8	<u>105098301</u>	Cab, Rear Work Light Kit (includes items 9 through 14)	1
9	<u>105180601</u>	Wire Harness Fb To Sw	1
10	<u>105180901</u>	Cab Work Light Led	2
11	<u>105181101</u>	Work Light Tape	2
12	<u>105181301</u>	Hardware Kit, Work Light	1
13	<u>105181401</u>	Wire Harn Rear WI	1
14	<u>105181501</u>	Rocker Rear WI	1

1

E

1

E



001192-001

CAB – ELECTRICAL, WARNING BEACON

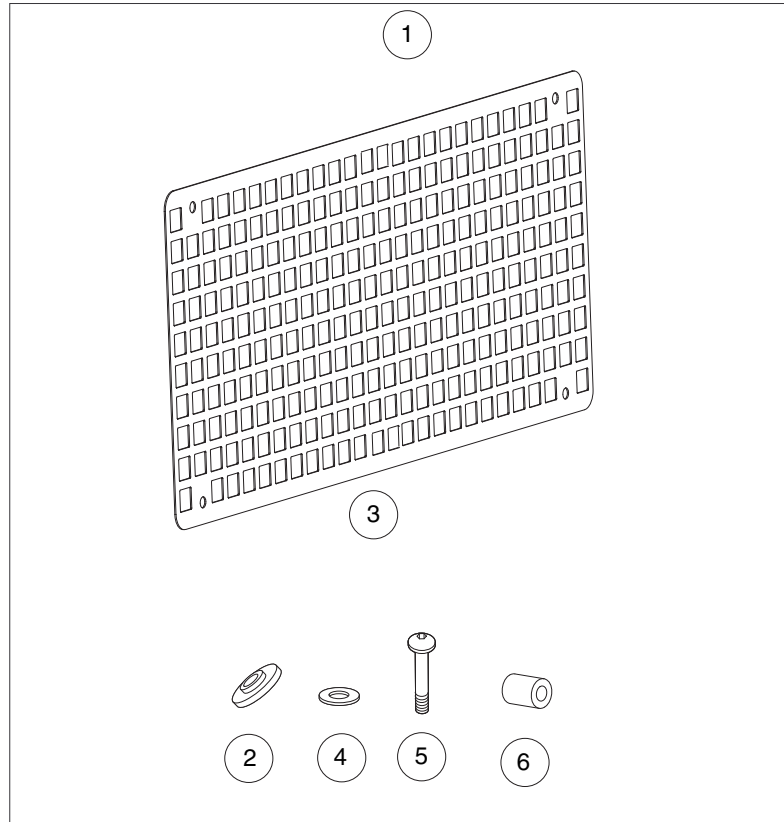
ITEM	PART NO.	DESCRIPTION	QTY
		1 2 3 4	
1	<u>105098401</u>	Cab, Warning Beacon Kit (includes items 2 through 6)	1
2	<u>104002101</u>	Light, Strobe, Amber	1
3	<u>105180601</u>	Wire Harness Fb To Sw	1
4	<u>105181201</u>	Hardware Kit, Beacon Kit	1
5	<u>105181601</u>	Wire Harness Sw To Beac	1
6	<u>105183801</u>	Rocker Beacon	1

1

E

1

E



001185-004

CAB – REAR WINDOW SCREEN

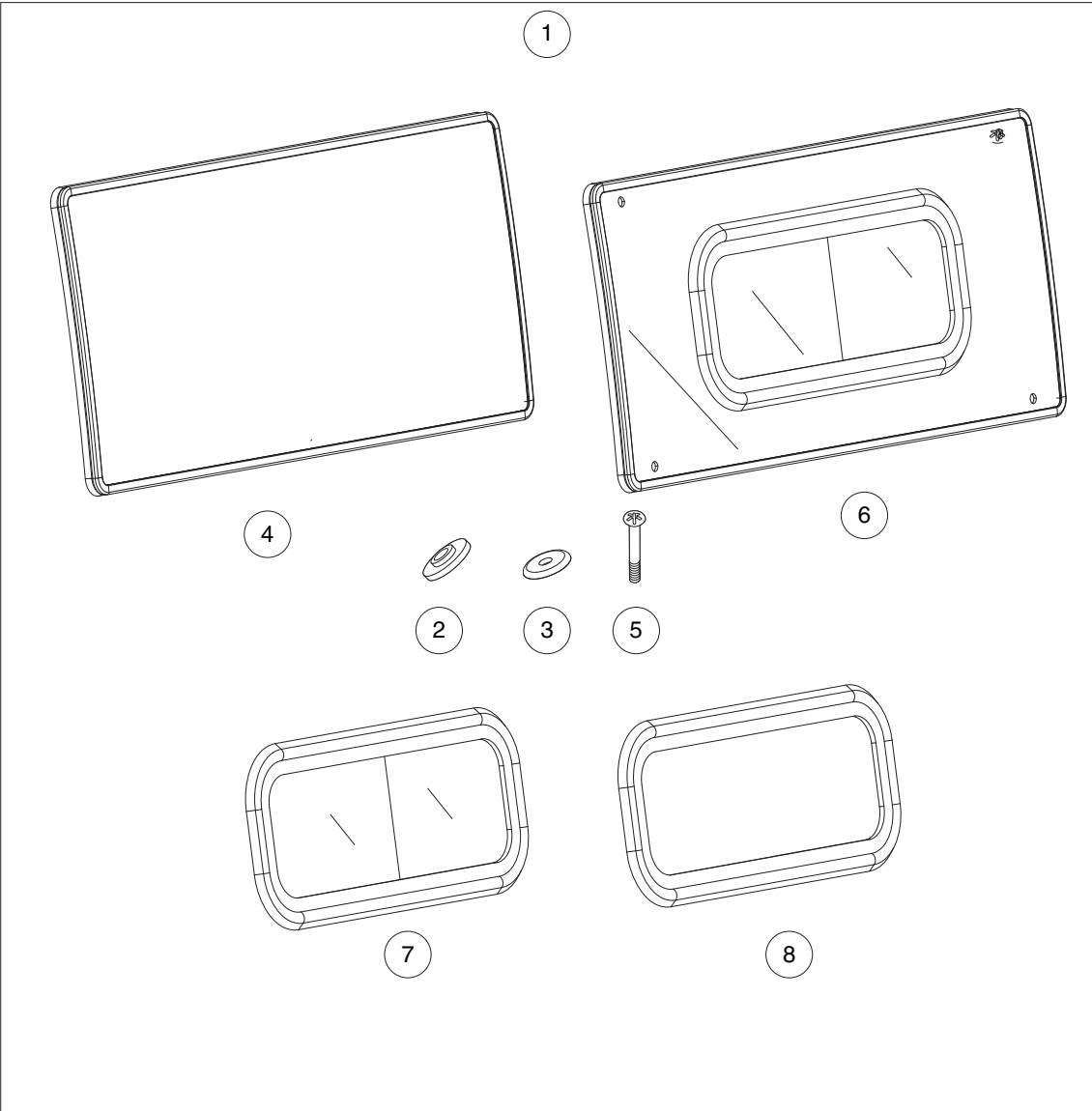
ITEM	PART NO.	DESCRIPTION	QTY
		1 2 3 4	
1	47552864001	Kit, Cab Rear Window Screen (includes items 2 through 6)	1
2	<u>47553013001</u>	Washer, Rubber, 5/16 ID-1-1/4 OD in.	4
3	47554387001	Rear Window Screen, Cab	1
4	47554388001	Washer, Flat, 11/35 x 1-1/4 in.	4
5	47554389001	Screw, Pan-Head, Torx, 5/16-18 x 2-1/2 in.	4
6	47554390001	Spacer, 3/8 x 1 in.	4

1

E

1

E



001185-003

CAB – REAR WINDOW WITH SLIDER

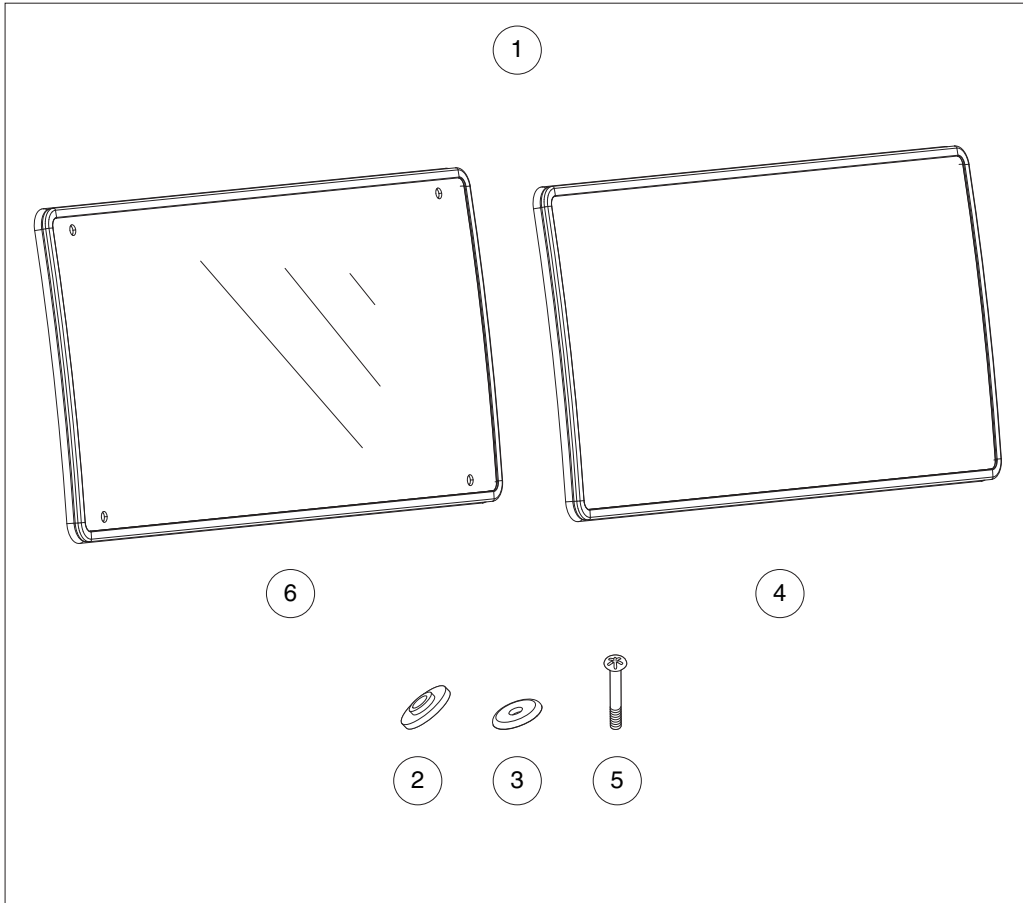
ITEM	PART NO.	DESCRIPTION	QTY
		1 2 3 4	
1	<u>47552863001</u>	Kit, Cab Rear Window with Slider (includes items 2 through 8)	1
2	<u>47553013001</u>	Washer, Rubber, 5/16 ID-1-1/4 OD in.	12
3	<u>47553014001</u>	Washer, Chamfered, 5/16 ID-1-1/4 OD in.	4
4	<u>47553024001</u>	Seal, Window Trim, Tempered	1
5	<u>47553026001</u>	Screw, Pan-Head Torx, 5/16-18 x 1-1/2 in.	4
6	<u>47554309001</u>	Asm, Rear Window with Slider Window and Seal	1
7	<u>47554310001</u>	Rear Slider Window with Seal, Cab	1
8	<u>47554311001</u>	Seal, Rear Slider Window, Cab	1

1

E

1

E



001185-002

CAB – REAR WINDOW, ONE-PIECE

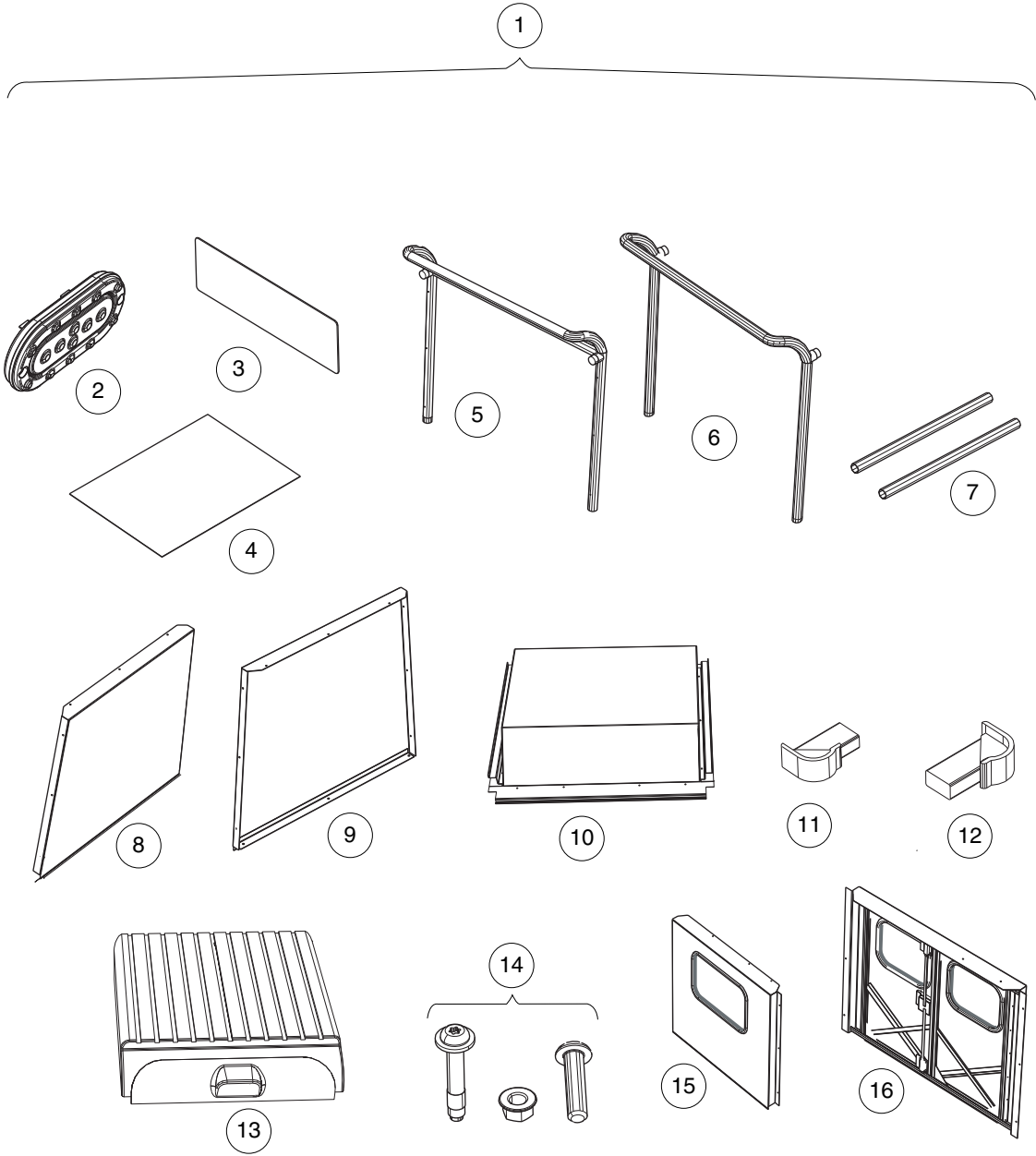
ITEM	PART NO.	DESCRIPTION	QTY
		1 2 3 4	
1	<u>47552862001</u>	Kit, Cab Rear Window (includes items 2 through 6)	1
2	<u>47553013001</u>	Washer, Rubber, 5/16 ID-1-1/4 OD in.	12
3	<u>47553014001</u>	Washer, Chamfered, 5/16 ID-1-1/4 OD in.	4
4	<u>47553024001</u>	Seal, Window Trim, Tempered	1
5	<u>47553026001</u>	Screw, Pan-Head Torx, 5/16-18 x 1-1/2 in.	4
6	<u>47553950001</u>	Rear Window with Seal, One-Piece	1

1

E

1

E



001174-001

VAN BOX – GRAY

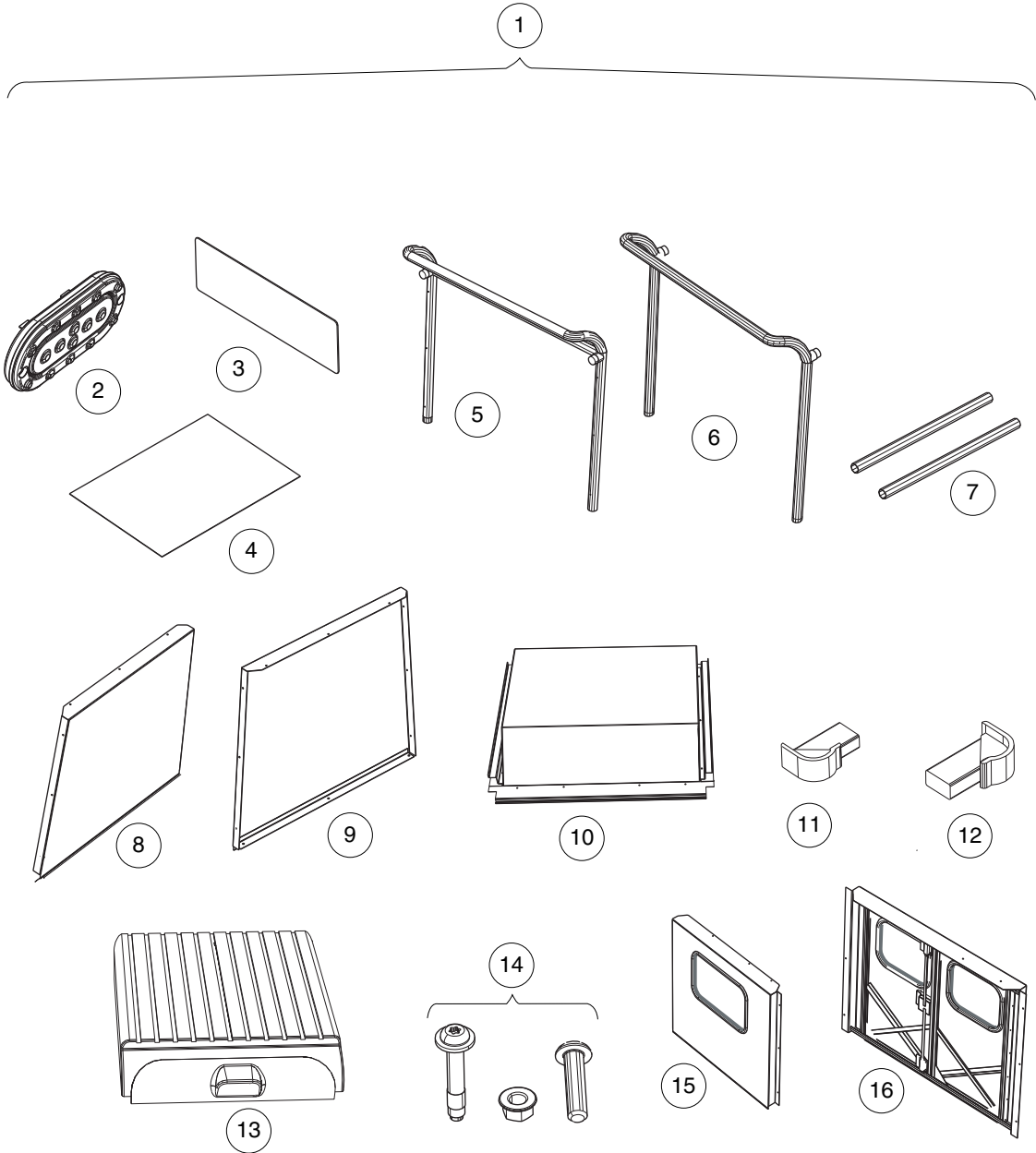
ITEM	PART NO.	DESCRIPTION	QTY
		1 2 3 4	
1	105158705	Kit Van Box, 510, Gray (includes items 2 through 16)	1
2	<u>105175901</u>	Light Chmsl, Cab	1
3	105237601	Decal, Warn Rollover Van Box	1
4	105237701	Kit, Foreign Decal, Van Box, Rollover Warning	1
5	<u>105238001</u>	Asm, Rear Tubing, Van	1
6	<u>105238101</u>	Asm, Front Tubing, Van	1
7	105238701	Tubing, 500, Van	1
8	<u>105238802</u>	Panel Lh, 500, Van, Gray	1
9	105238902	Panel Rh, 500, Van, Gray	1
10	105239002	Panel Attic, 500, Van, Gray	1
11	105239101	Bumpers Front, Van	1
12	<u>105239201</u>	Bumpers Rear, Van	1
13	105239302	Roof 500, Van, White, Chmsl	1
14	105239401	Hardware, 500, Van	1
15	105241002	Panel Ft W Window, Van, Gray	1
16	105241102	Panel Rr W Window, Van, Gray	1

1

E

1

E



001174-001

VAN BOX – WHITE

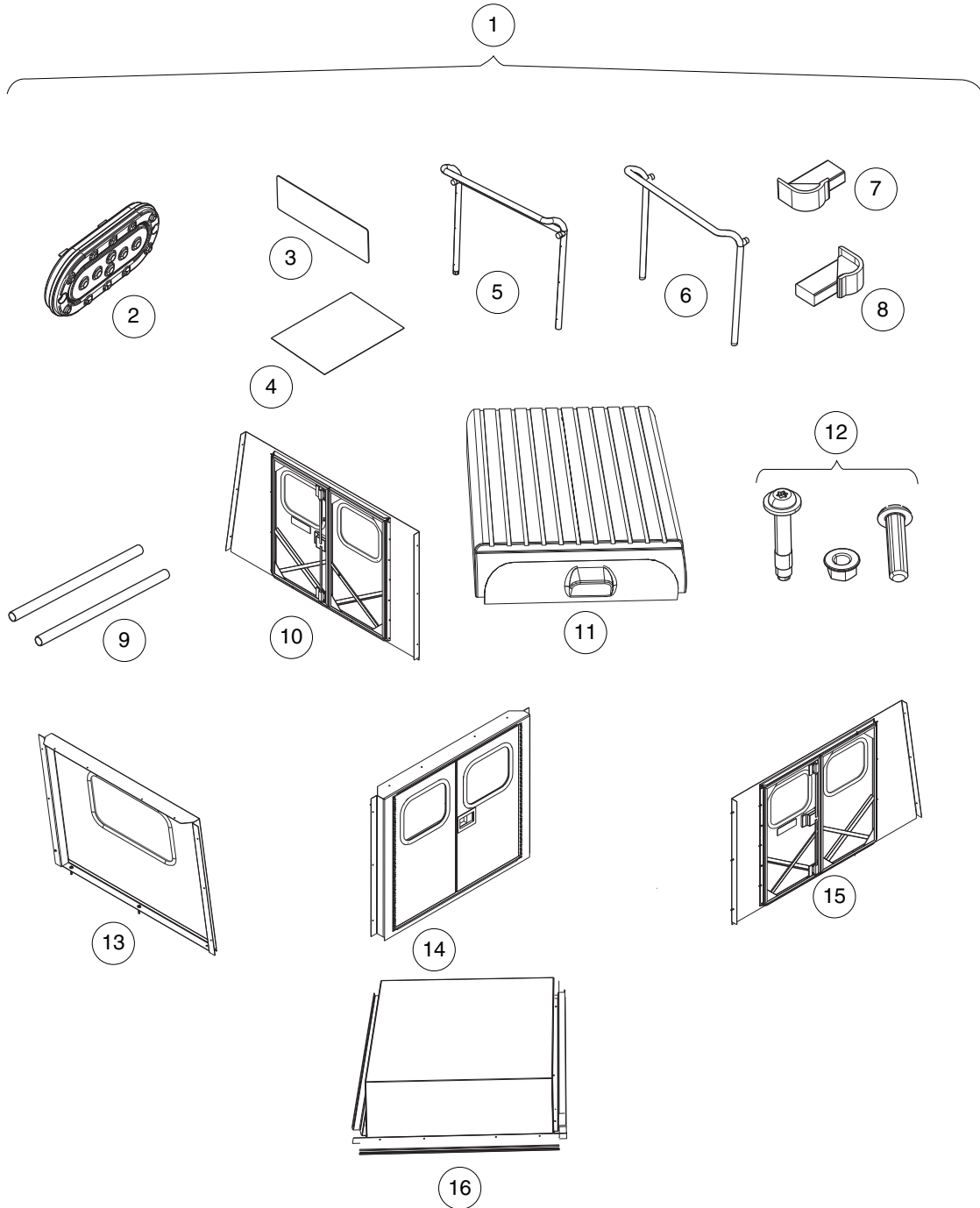
ITEM	PART NO.	DESCRIPTION	QTY
		1 2 3 4	
1	105158704	Kit Van Box, 510, White (includes items 2 through 16)	1
2	<u>105175901</u>	Light Chmsl, Cab	1
3	105237601	Decal, Warn Rollover Van Box	1
4	105237701	Kit, Foreign Decal, Van Box, Rollover Warning	1
5	<u>105238001</u>	Asm, Rear Tubing, Van	1
6	<u>105238101</u>	Asm, Front Tubing, Van	1
7	105238701	Tubing, 500, Van	1
8	105238801	Panel Lh, 500, Van, White	1
9	105238901	Panel Rh, 500, Van, White	1
10	105239001	Panel Attic, 500, Van, White	1
11	105239101	Bumpers Front, Van	1
12	<u>105239201</u>	Bumpers Rear, Van	1
13	105239302	Roof 500, Van, White, Chmsl	1
14	105239401	Hardware, 500, Van	1
15	<u>105241001</u>	Panel Ft W Window, Van, White	1
16	<u>105241101</u>	Panel Rr W Window, Van, White	1

1

E

1

E



001177-001

VAN BOX, LONG – GRAY

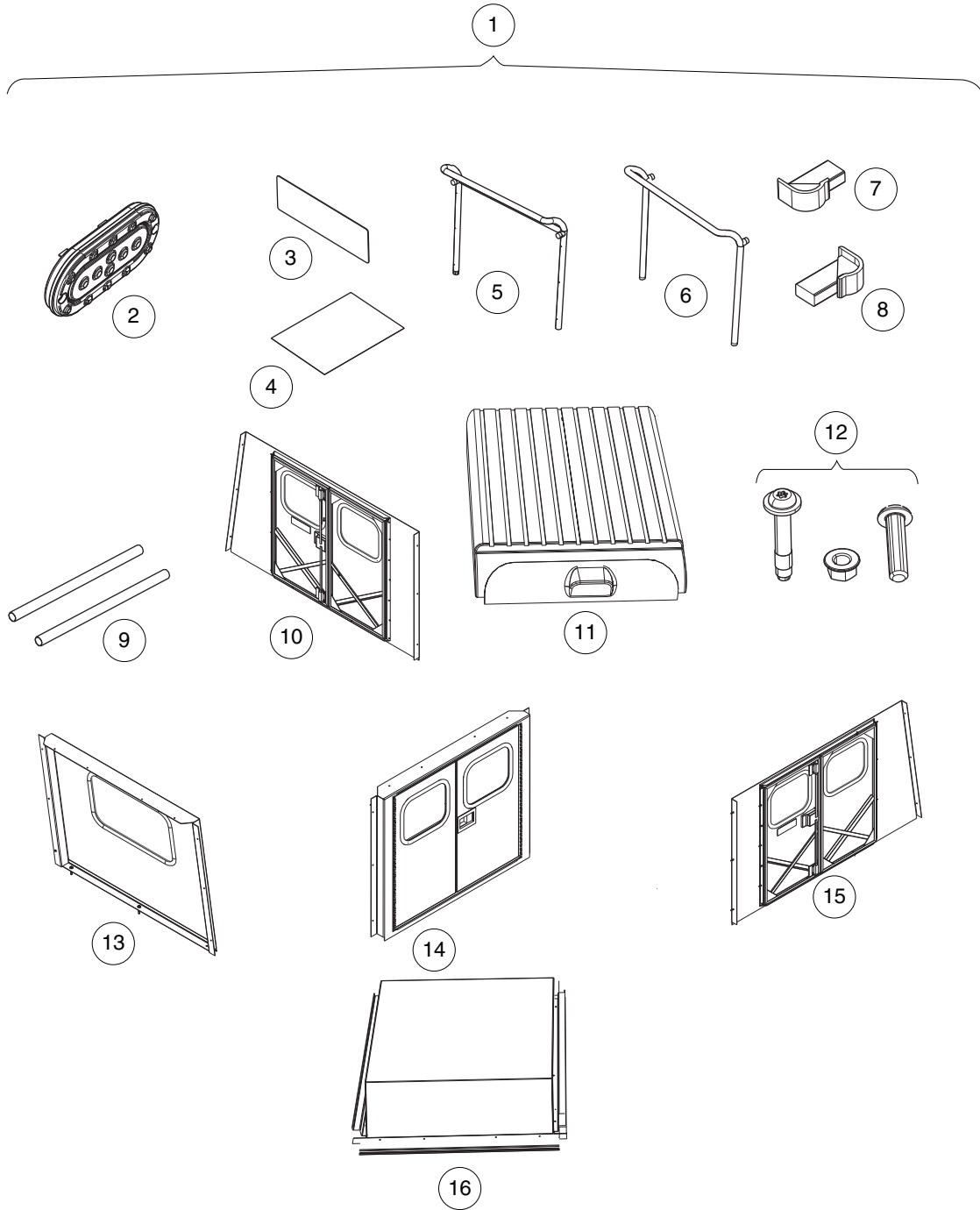
ITEM	PART NO.	DESCRIPTION	QTY
		1 2 3 4	
1	105158805	Kit Van Box, 710, Gray (includes items 2 through 16)	1
2	<u>105175901</u>	Light Chmsl, Cab	1
3	105237601	Decal, Warn Rollover Van Box	1
4	105237701	Kit, Foreign Decal, Van Box, Rollover Warning	1
5	<u>105238001</u>	Asm, Rear Tubing, Van	1
6	<u>105238101</u>	Asm, Front Tubing, Van	1
7	105239101	Bumpers Front, Van	1
8	<u>105239201</u>	Bumpers Rear, Van	1
9	105239601	Tubing, 700, Van	1
10	105239802	Panel Lh W/dr, 700, Van, Gray	1
11	<u>105240202</u>	Roof 700, Van, White, Chmsl	1
12	<u>105240301</u>	Hardware, 700, Van	1
13	105241002	Panel Ft W Window, Van, Gray	1
14	105241102	Panel Rr W Window, Van, Gray	1
15	105244002	Panel Rh W/dr, 700, Van, Gray	1
16	105244102	Panel Attic, 700, Van, Gray	1

1

E

1

E



001177-001

VAN BOX, LONG – WHITE

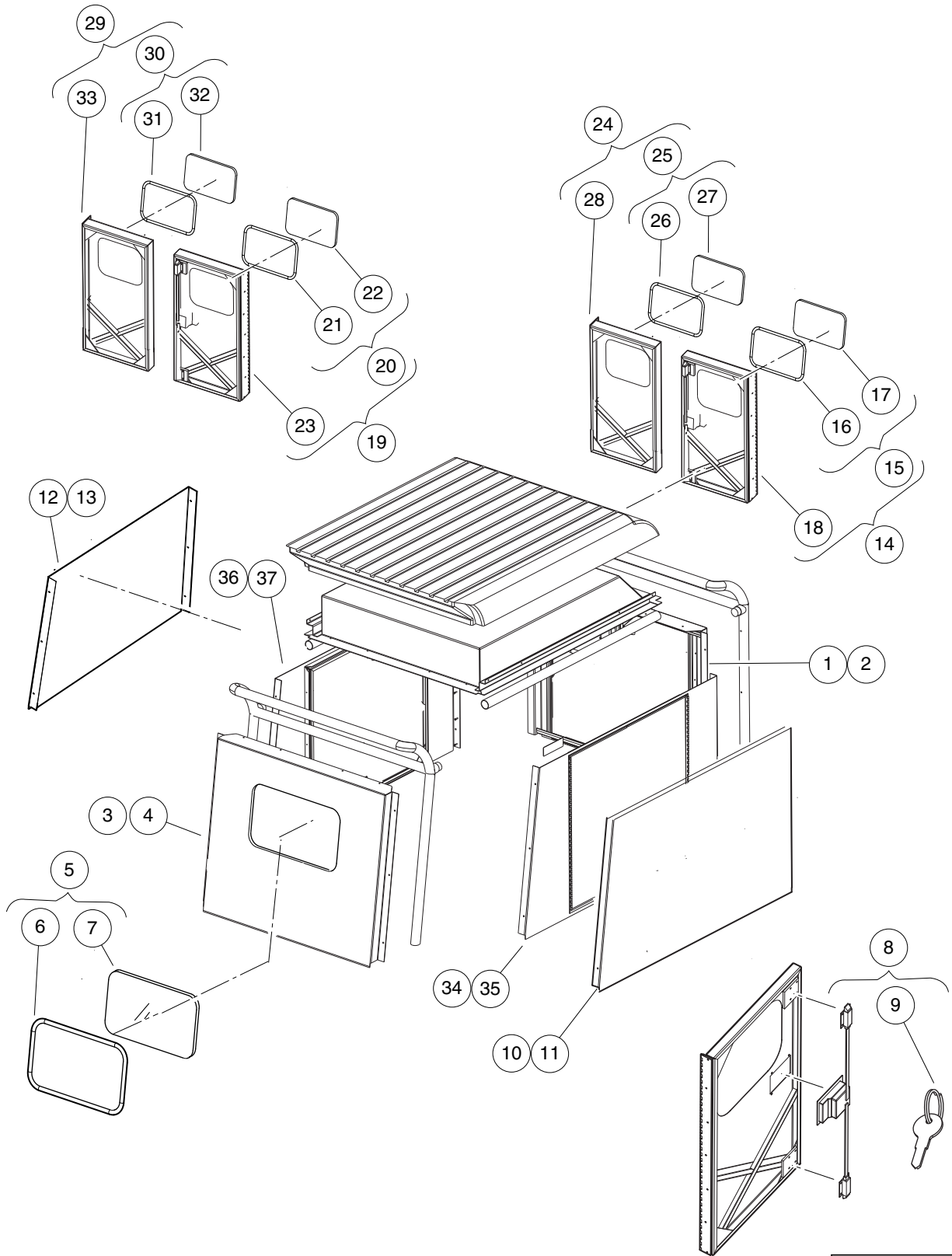
ITEM	PART NO.	DESCRIPTION	QTY
		1 2 3 4	
1	<u>105158804</u>	Kit Van Box, 710, White (includes items 2 through 16)	1
2	<u>105175901</u>	Light Chmsl, Cab	1
3	<u>105237601</u>	Decal, Warn Rollover Van Box	1
4	<u>105237701</u>	Kit, Foreign Decal, Van Box, Rollover Warning	1
5	<u>105238001</u>	Asm, Rear Tubing, Van	1
6	<u>105238101</u>	Asm, Front Tubing, Van	1
7	<u>105239101</u>	Bumpers Front, Van	1
8	<u>105239201</u>	Bumpers Rear, Van	1
9	<u>105239601</u>	Tubing, 700, Van	1
10	<u>105239801</u>	Panel Lh W/dr, 700, Van, White	1
11	<u>105240202</u>	Roof 700, Van, White, Chmsl	1
12	<u>105240301</u>	Hardware, 700, Van	1
13	<u>105241001</u>	Panel Ft W Window, Van, White	1
14	<u>105241101</u>	Panel Rr W Window, Van, White	1
15	<u>105244001</u>	Panel Rh W/dr, 700, Van, White	1
16	<u>105244101</u>	Panel Attic, 700, Van, White	1

1

E

1

E



001175-002

VAN BOX, LONG – SERVICE PARTS

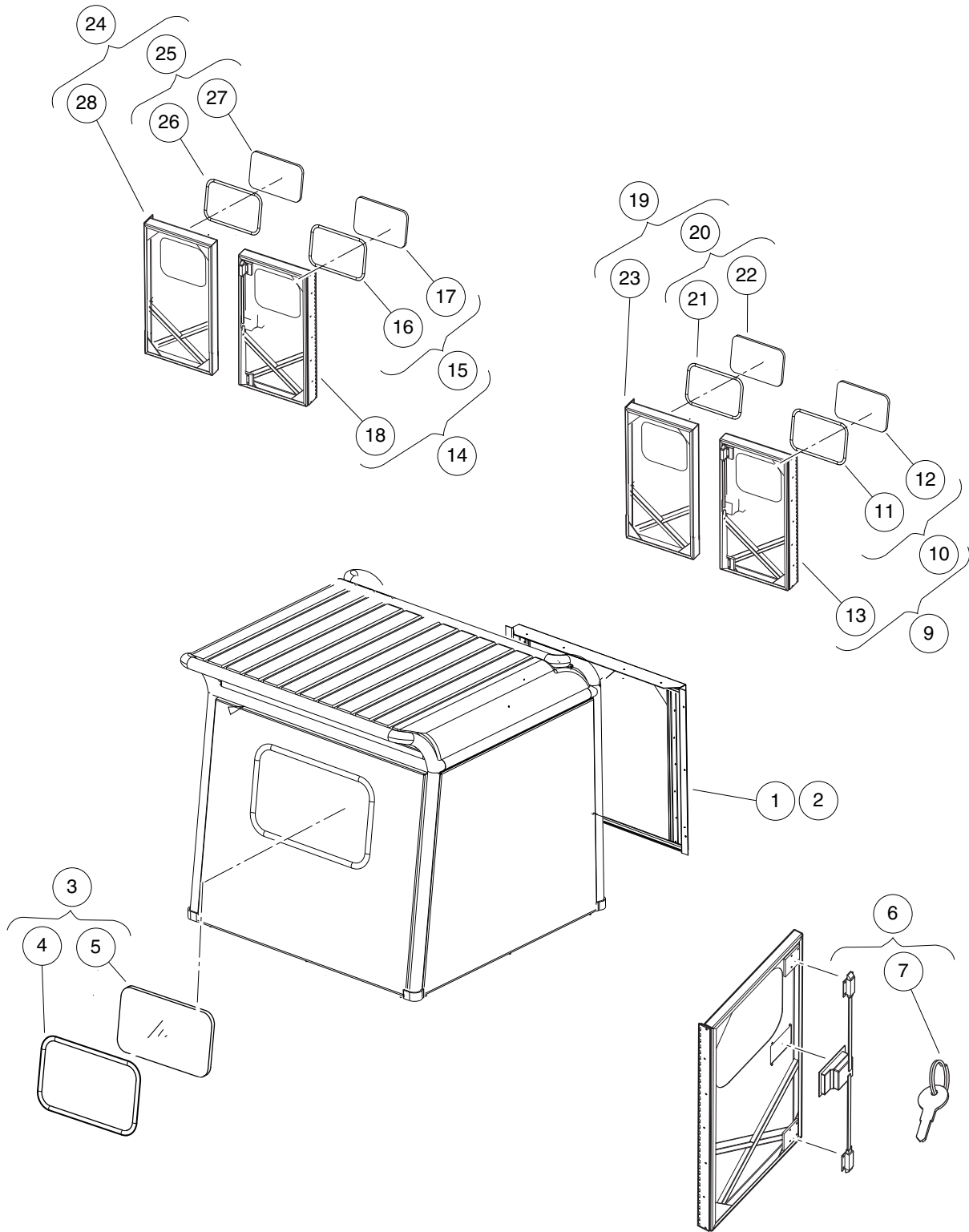
ITEM	PART NO.	DESCRIPTION	QTY
		1 2 3 4	
1	105237801	Panel Rr, w/o Doors, Van, White	1
2	105237802	Panel Rr, w/o Doors, Van, Gray	1
3	105237901	Panel Ft, w/o Window, Van, White	1
4	105237902	Panel Ft, w/o Window, Van, Gray	1
5	105238301	Asm, Window, Frt Panel, Van (includes items 6 and 7)	1
6	<u>105241401</u>	Window Seal, Frt Panel, Van	1
7	105241501	Window Glass, Frt Panel, Van	1
8	105238603	Lock Mechanism, Door, Van (includes item 9)	1
9	105238604	Key, Van Box, 500, 700	1
10	105239701	Panel, Solid, Lh, 700, Van, White	1
11	105239702	Panel, Solid, Lh, 700, Van, Gray	1
12	105239901	Panel, Solid, Rh, 700, Van, White	1
13	105239902	Panel, Solid, Rh, 700, Van, Gray	1
14	105241601	Door, W Window, Lh, Van, White (includes items 15 through 18)	1
15	105238201	Asm, Window, Door, Van (includes items 16 and 17)	1
16	<u>105241201</u>	Window Seal, Door, Van	1
17	105241301	Window Glass, Door, Van	1
18	105238401	Door,w/o Window, Left, Van, White	1
19	105241602	Door, W Window, Lh, Van, Gray (includes items 20 through 23)	1
20	105238201	Asm, Window, Door, Van (includes items 21 and 22)	1
21	<u>105241201</u>	Window Seal, Door, Van	1
22	105241301	Window Glass, Door, Van	1
23	105238402	Door, w/o Window, Left, Van, Gray	1
24	<u>105241701</u>	Door, W Window, Rh, Van, White (includes items 25 through 28)	1
25	105238201	Asm, Window, Door, Van (includes items 26 and 27)	1
26	<u>105241201</u>	Window Seal, Door, Van	1
27	105241301	Window Glass, Door, Van	1
28	105238501	Door, w/o Window, Right, Van, White	1
29	105241702	Door, W Window, Rh, Van, Gray (includes items 30 through 33)	1
30	105238201	Asm, Window, Door, Van (includes items 31 and 32)	1
31	<u>105241201</u>	Window Seal, Door, Van	1
32	105241301	Window Glass, Door, Van	1
33	105238502	Door, w/o Window, Right, Van, Gray	1
34	105241801	Pnl Lh, Open, No Doors, 700, Van, White	1
35	105241802	Pnl Lh, Open, No Doors, 700, Van, Gray	1
36	105241901	Pnl Rh, Open, No Doors, 700, Van, White	1
37	105241902	Pnl Rh, Open, No Doors, 700, Van, Gray	1

1

E

1

E



001178-002

VAN BOX, MEDIUM – SERVICE PARTS

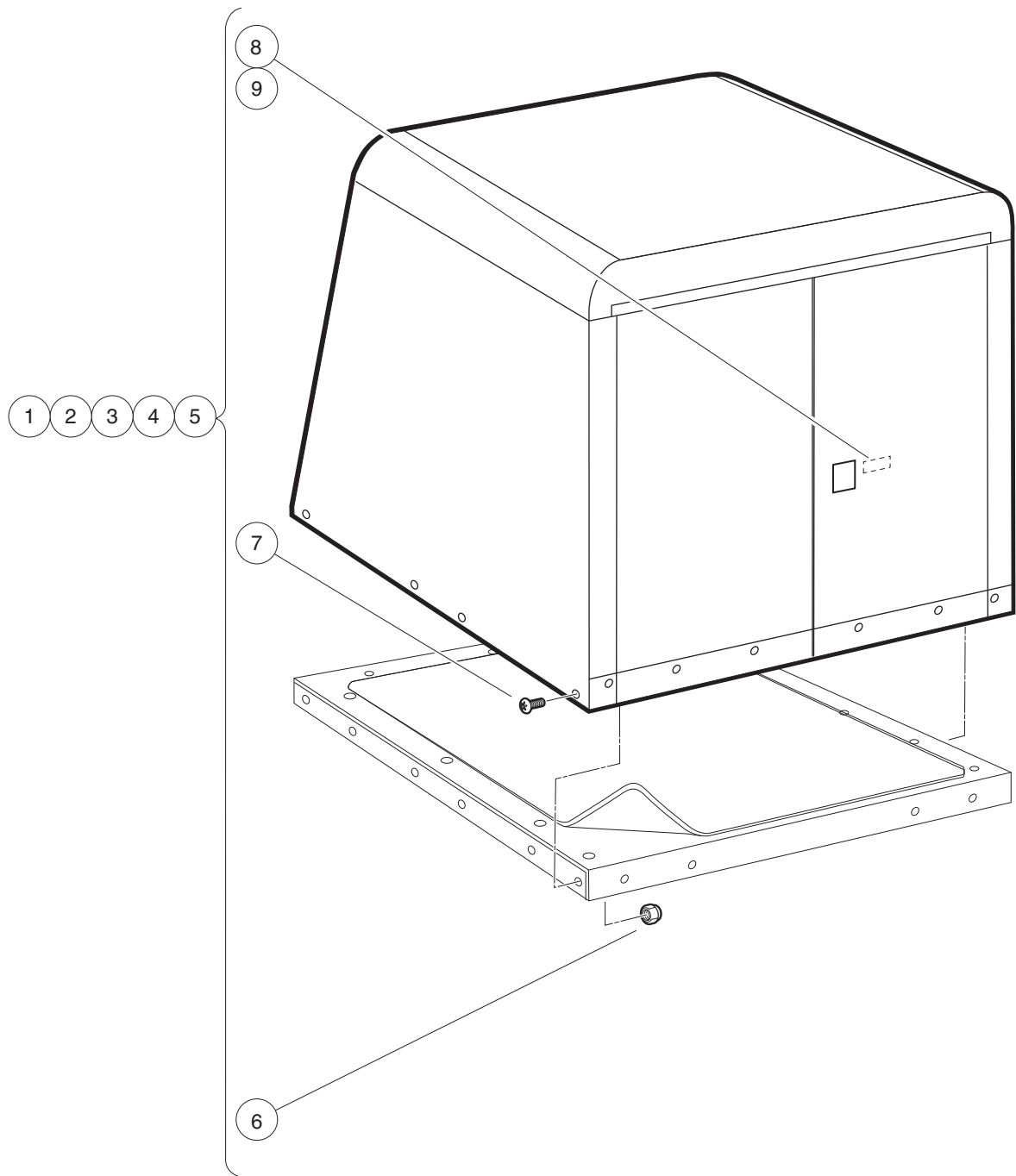
ITEM	PART NO.	DESCRIPTION	QTY
		1 2 3 4	
1	105237801	Panel Rr, w/o Doors, Van, White	1
2	105237802	Panel Rr, w/o Doors, Van, Gray	1
3	105238301	Asm, Window, Frt Panel, Van (includes items 4 and 5)	1
4	<u>105241401</u>	Window Seal, Frt Panel, Van	1
5	105241501	Window Glass, Frt Panel, Van	1
6	105238603	Lock Mechanism, Door, Van (includes item 7)	1
7	105238604	Key, Van Box, 500, 700	1
8	<u>105241401</u>	Window Seal, Frt Panel, Van	1
9	105241601	Door, W Window, Lh, Van, White (includes items 10 through 13)	1
10	105238201	Asm, Window, Door, Van (includes items 11 and 12)	1
11	<u>105241201</u>	Window Seal, Door, Van	1
12	105241301	Window Glass, Door, Van	1
13	105238401	Door,w/o Window, Left, Van, White	1
14	105241602	Door, W Window, Lh, Van, Gray (includes items 15 through 18)	1
15	105238201	Asm, Window, Door, Van (includes items 16 and 17)	1
16	<u>105241201</u>	Window Seal, Door, Van	1
17	105241301	Window Glass, Door, Van	1
18	105238402	Door, w/o Window, Left, Van, Gray	1
19	<u>105241701</u>	Door, W Window, Rh, Van, White (includes items 20 through 23)	1
20	105238201	Asm, Window, Door, Van (includes items 21 and 22)	1
21	<u>105241201</u>	Window Seal, Door, Van	1
22	105241301	Window Glass, Door, Van	1
23	105238501	Door, w/o Window, Right, Van, White	1
24	105241702	Door, W Window, Rh, Van, Gray (includes items 25 through 28)	1
25	105238201	Asm, Window, Door, Van (includes items 26 and 27)	1
26	<u>105241201</u>	Window Seal, Door, Van	1
27	105241301	Window Glass, Door, Van	1
28	105238502	Door, w/o Window, Right, Van, Gray	1

1

E

1

E



Interior
Light
Kit
10

Shelf
Kit
11

CHMSL
Kit
12

Ladder
Rack
Kit
13

001442

VAN BOX – NO WINDOWS

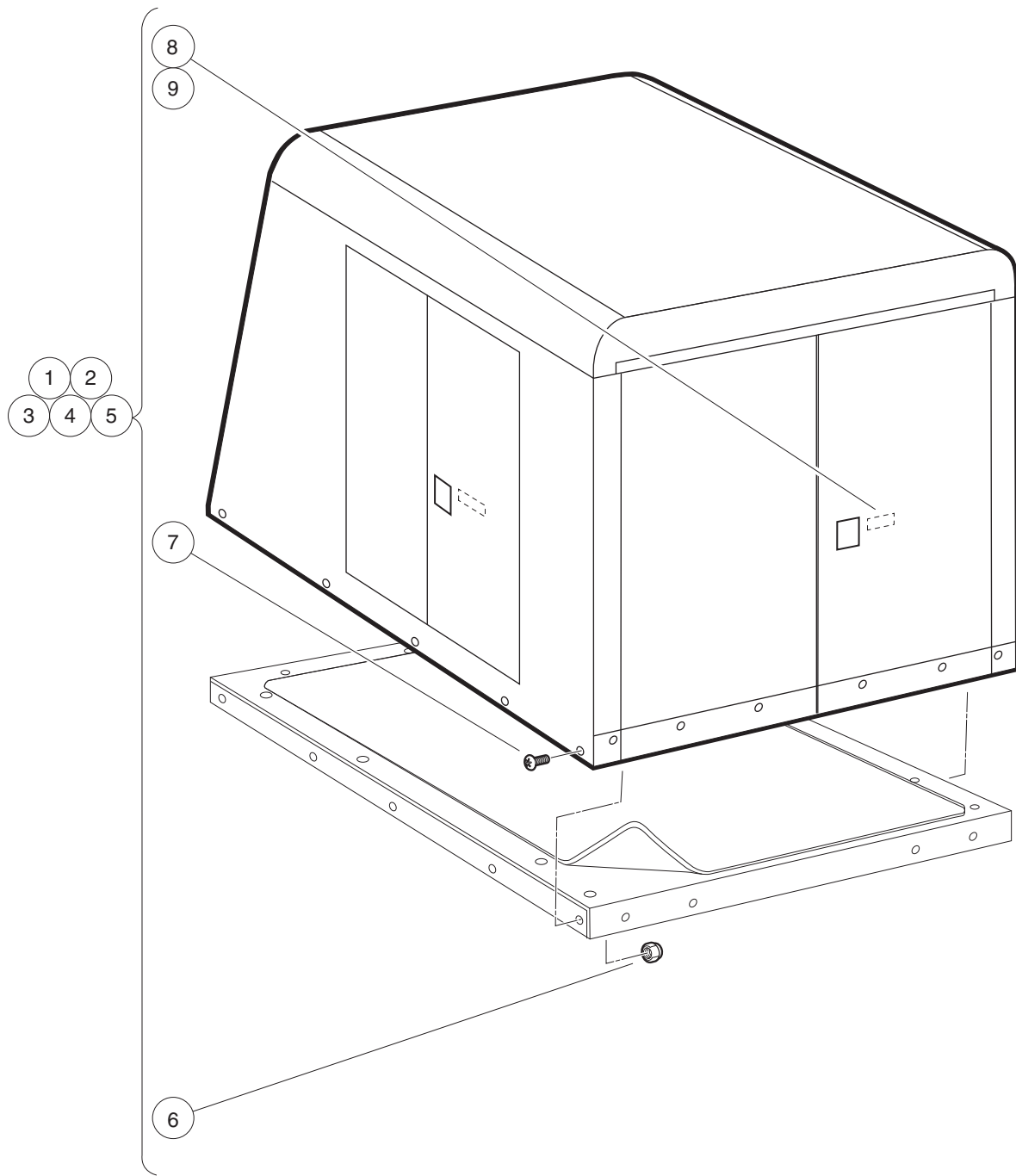
ITEM	PART NO.	DESCRIPTION	QTY
		1 2 3 4	
1	SVP1153801	Vanbox, Basic, 500, Fp, Beige	1
2	SVP1153802	Vanbox, Basic, 500, Fp, Black	1
3	SVP1153803	Vanbox, Basic, 500, Fp, Gray	1
4	SVP1153804	Vanbox, Basic, 500, Fp, Mill	1
5	<u>SVP1153805</u>	Vanbox, Basic, 500, Fp, White (includes items 6 through 9)	1
6	<u>102298401</u>	Nut, M8, All Metal Lock	12
7	<u>102299550</u>	Screw,m8x50,sems,tx,btt,plt	12
8	105237601	Decal, Warn Rollover Van Box	1
9	105237701	Kit, Foreign Decal, Van Box, Rollover Warning	1
10	<u>SVP1154201</u>	Kit Light Interior Van Box 500	1
11	SVP1154601	Kit, Shelf, Vanbox, Basic, 500	1
12	SVP1154801	Kit, Chmsl, Vanbox	1
13	SVP1155001	Kit, Ladder Rack, Vanbox, 500	1

1

E

1

E



Shelf
Kit
10

CHMSL
Kit
11

Ladder
Rack
Kit
12

Interior
Light
Kit
13

001443-001

VAN BOX – NO WINDOWS

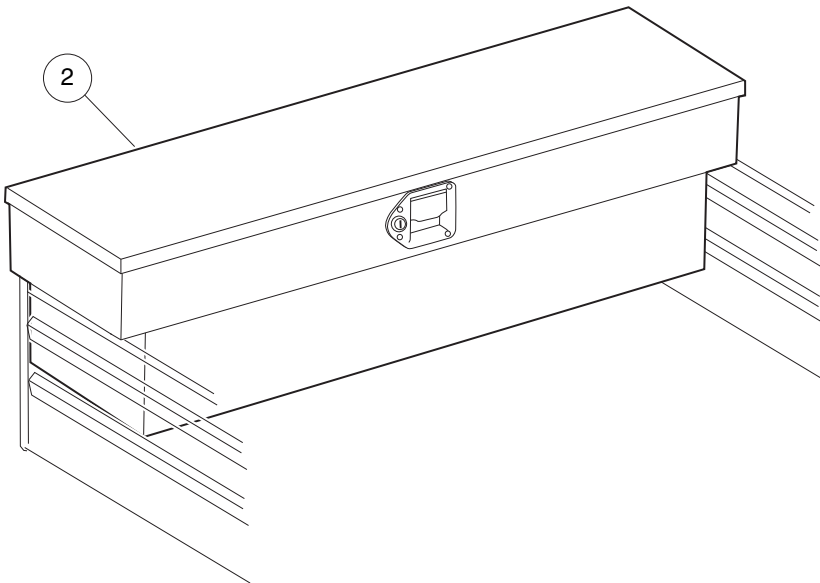
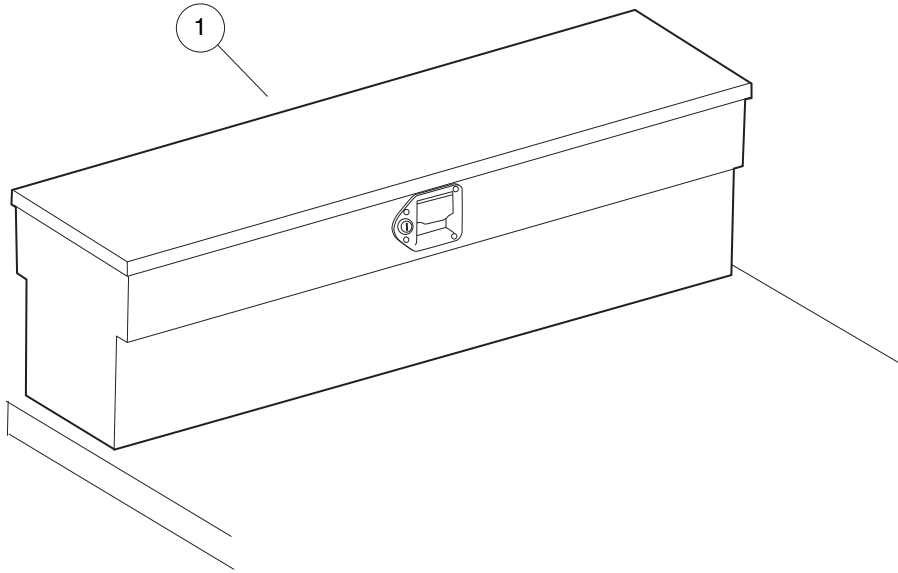
ITEM	PART NO.	DESCRIPTION	QTY
		1 2 3 4	
1	SVP1154001	Vanbox, Basic, 700, Fp, Beige	1
2	SVP1154002	Vanbox, Basic, 700, Fp, Black	1
3	SVP1154003	Vanbox, Basic, 700, Fp, Gray	1
4	SVP1154004	Vanbox, Basic, 700, Fp, Mill	1
5	<u>SVP1154005</u>	Vanbox, Basic, 700, Fp, White (includes items 6 through 9)	1
6	<u>102298401</u>	Nut, M8, All Metal Lock	14
7	<u>102299550</u>	Screw,m8x50,sems,tx,btt,plt	14
8	105237601	Decal, Warn Rollover Van Box	3
9	105237701	Kit, Foreign Decal, Van Box, Rollover Warning	1
10	SVP1154701	Kit, Shelf, Vanbox, Basic, 700	1
11	SVP1154801	Kit, Chmsl, Vanbox	1
12	SVP1155101	Kit, Ladder Rack,vanbox, 700	1
13	SVP1161801	Kit Light Interior Van Box 700	1

1

E

1

E



001157-001

TOOLBOXES

ITEM	PART NO.	DESCRIPTION	QTY
1	<u>101837401</u>	1 2 3 4 Toolbox, Flat Bed	1
2	<u>101837502</u>	Toolbox, Box Bed	1

1

E

1

E

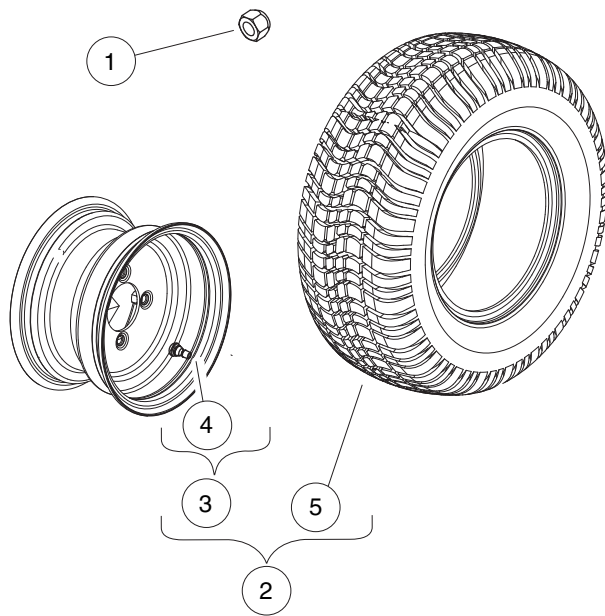
WHEELS AND TIRES

2

E

2

E



001352-001

WHEELS AND TIRES

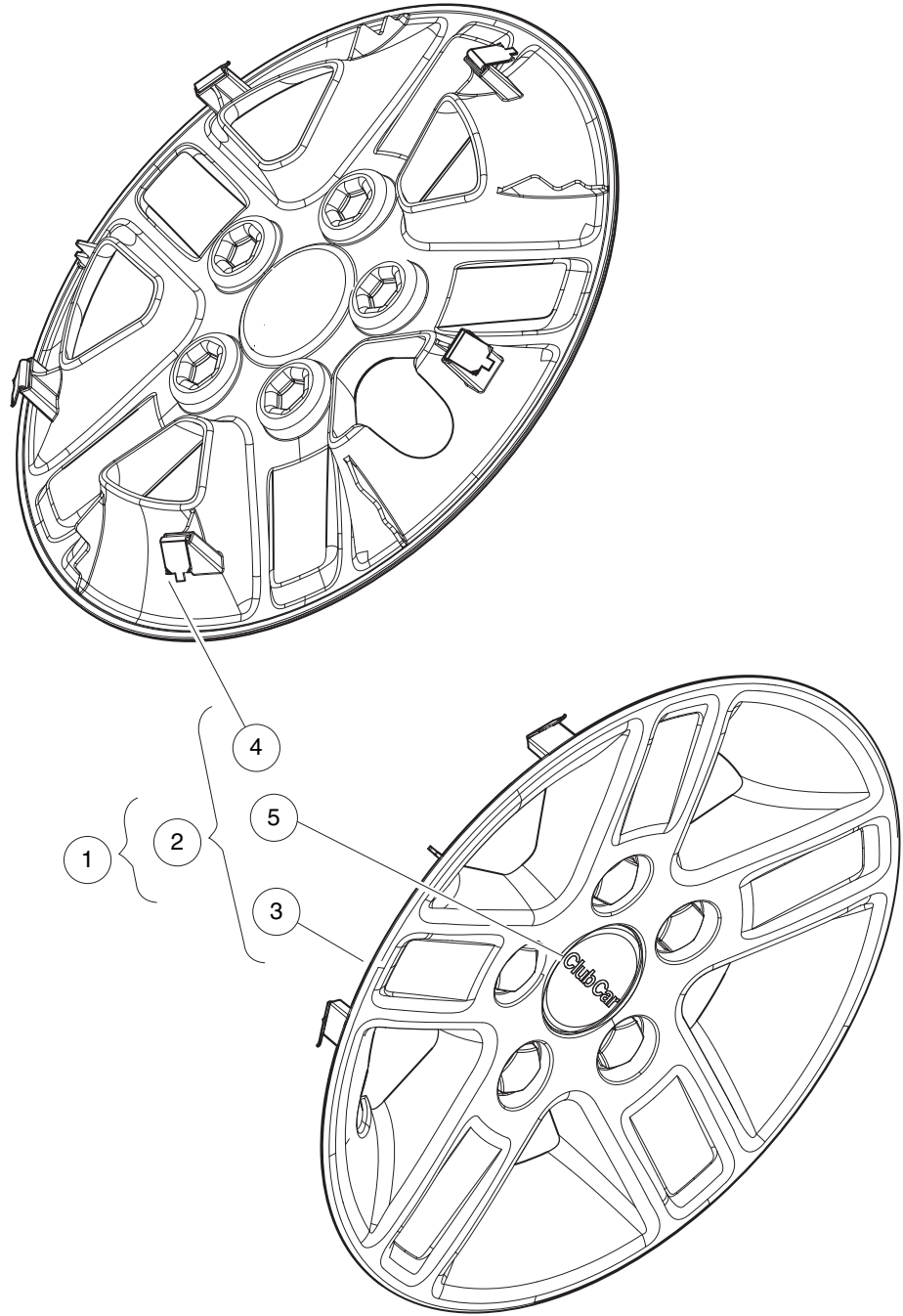
ITEM	PART NO.	DESCRIPTION	QTY
		1 2 3 4	
1	<u>1010984</u>	.500-20 Unf Lug Nut	16
2	<u>105078811</u>	Asm,whl,dot,205-65-10,6pl (includes items 3 through 5)	4
3	<u>105079204</u>	Wheel, 10"x6", Gray, 0 Offset, RR, with Valve Stem (includes item 4)	4
4	<u>105078901</u>	Valve Stem, Kenda, Tr 412	1
5	<u>105079501</u>	Tire, Dot, 205-65-10, 6pl	4

2

E

2

E



001350-002

WHEEL COVERS

ITEM	PART NO.	DESCRIPTION	QTY
		1 2 3 4	
1	<u>105106501</u>	Kit, Wheel Cover, 10x6" (includes item 2)	1
2	<u>105106301</u>	Asm, Whl Cover, 5 Spoke, 10x6" (includes items 3 through 5)	4
3	N/A	Wheel Cover, 5 Spoke, 10x7"	1
4	105106101	Wheel Cover, Clip	5
5	105106201	Decal, Wheel Cover, Club Car	1

2

E

2

E

DECALS

3

E

WARNING

Unintended vehicle movement may cause severe injury or death. Before using vehicle, read owner's manual and vehicle safety warnings.

Before leaving vehicle:

- Engage park brake to lock wheels.
- Place vehicle in NEUTRAL.
- Turn key to OFF and remove key.

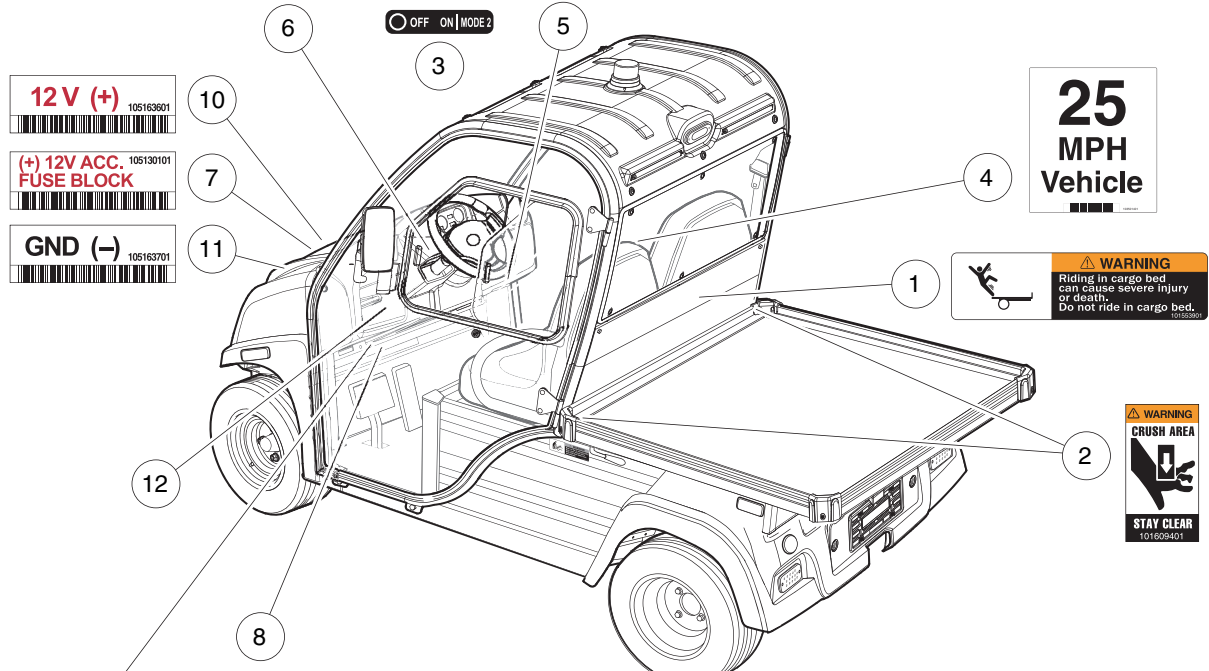
105046101

WARNING

UNINTENDED MOVEMENT, ROLLOVER, OR FALLING OUT CAN CAUSE SERIOUS INJURY OR DEATH.

- Vehicle to be operated by licensed and authorized persons only.
- Use in authorized areas only. Do not operate on public roads.
- One (1) person per bucket seat maximum.
- Two (2) persons per bench seat maximum.
- Operate from driver's seat only.
- Do not start vehicle until all occupants are fully seated.
- Drive slowly in turns and straight up and down slopes.
- Remain fully seated while moving.
- Hold on and keep entire body inside vehicle while moving.
- Never attempt jumps and avoid extreme braking in reverse.
- Do not leave children unattended in vehicle at any time.
- Children requiring a child safety seat must not ride in vehicle.
- Never operate under the influence of alcohol or drugs.

104026801



12V (+)

105163601

(+) 12V ACC. FUSE BLOCK

105130101

GND (-)

105163701

25 MPH Vehicle

WARNING

Riding in cargo bed can cause severe injury or death. Do not ride in cargo bed.

10502801

WARNING

CRUSH AREA

STAY CLEAR

101609401

VEHICLE LOADING

Read owner's manual and warnings on dash.

- Vehicle rated capacity: 950 lb (431 kg) on level surface only.
- Includes occupants and cargo load.
- Maximum cargo load: 550 lb (249 kg)
- Includes cargo, bed load, and optional equipment.
- Vehicle combination rated capacity: 1250 lb (567 kg)
- Includes vehicle rated capacity and gross trailer weight.

WARNING

ROLLOVER CAN CAUSE SERIOUS INJURY OR DEATH.

- Place cargo forward in the cargo bed and distribute evenly side to side. Secure load.
- On uneven or steep terrain, reduce speed and load.
- Avoid stopping on or backing down steep hills.
- Avoid top-heavy loads.

105137104

VEHICLE LOADING

Read owner's manual and warnings on dash.

- Vehicle rated capacity: 1250 lb (567 kg) on level surface only.
- Includes occupants and cargo load.
- Maximum cargo load: 850 lb (386 kg)
- Includes cargo, bed load, and optional equipment.
- Vehicle combination rated capacity: 1250 lb (567 kg)
- Includes vehicle rated capacity and gross trailer weight.

WARNING

ROLLOVER CAN CAUSE SERIOUS INJURY OR DEATH.

- Place cargo forward in the cargo bed and distribute evenly side to side. Secure load.
- On uneven or steep terrain, reduce speed and load.
- Avoid stopping on or backing down steep hills.
- Avoid top-heavy loads.

105137105

DECALS – ELECTRIC CARRYALL 510 AND 710

ITEM	PART NO.	DESCRIPTION	QTY
		1 2 3 4	
1	<u>101553901</u>	Decal, Bed Load Warning	1
2	<u>101609401</u>	Decal, Crush Area Warning	2
3	<u>101825103</u>	Decal, Keyswitch, Iq Plus Mode	1
4	<u>103501401</u>	Decal, 25 Mph	1
5	<u>104026901</u>	Decal, Oc, Warning, Lsv, Ca	1
6	<u>105046101</u>	Decal, Op, Instructions, Ca	1
7	<u>105130101</u>	Decal, Fuse Block, Acc, 12v	1
8	<u>105137104</u>	Decal, Veh Load, CA510 On-road	1
9	<u>105137105</u>	Decal, Veh Load, CA710 On-road	1
10	<u>105163601</u>	Decal, 12v (+)	1
11	<u>105163701</u>	Decal, Gnd (-)	1

3

E

WARNING

BATTERY EXPLOSION COULD RESULT IN SEVERE PERSONAL INJURY.

- Do not store items in battery compartment.
- Place Run/Tow switch in TOW position before
 - Disconnecting or connecting battery cables
 - Towing this vehicle
 - Extended storage
 - Servicing the vehicle

TOW  RUN

103499601

WARNING

THE REAR VIEW CAMERA IS A SECONDARY AID TO A VISUAL CHECK

- The rear view camera does not show objects outside of the camera's field of view, below the bumper, or below the vehicle.
- The operator must visually make sure that it is safe to back up.
- Failure to use proper care can cause property damage, serious injury, and death.

4793468100 12524

CAUTION

EXPOSURE TO WATER MAY DAMAGE ELECTRONIC COMPONENTS

- Do not operate vehicle without this cover properly installed.
- Do not direct water stream in the area of the cover without cover securely in place.
- See vehicle maintenance and service manual before servicing.

102516301

WARNING

AVOID FIRE HAZARD

- Replacement battery wires must be 2-gauge (AWG) with low-resistance terminals equivalent to factory-installed wires.
- Ensure that battery connections are clean and properly tightened.

See owner's manual.

103515301

CAUTION

Frame is isolated from power system. Do not use as ground.

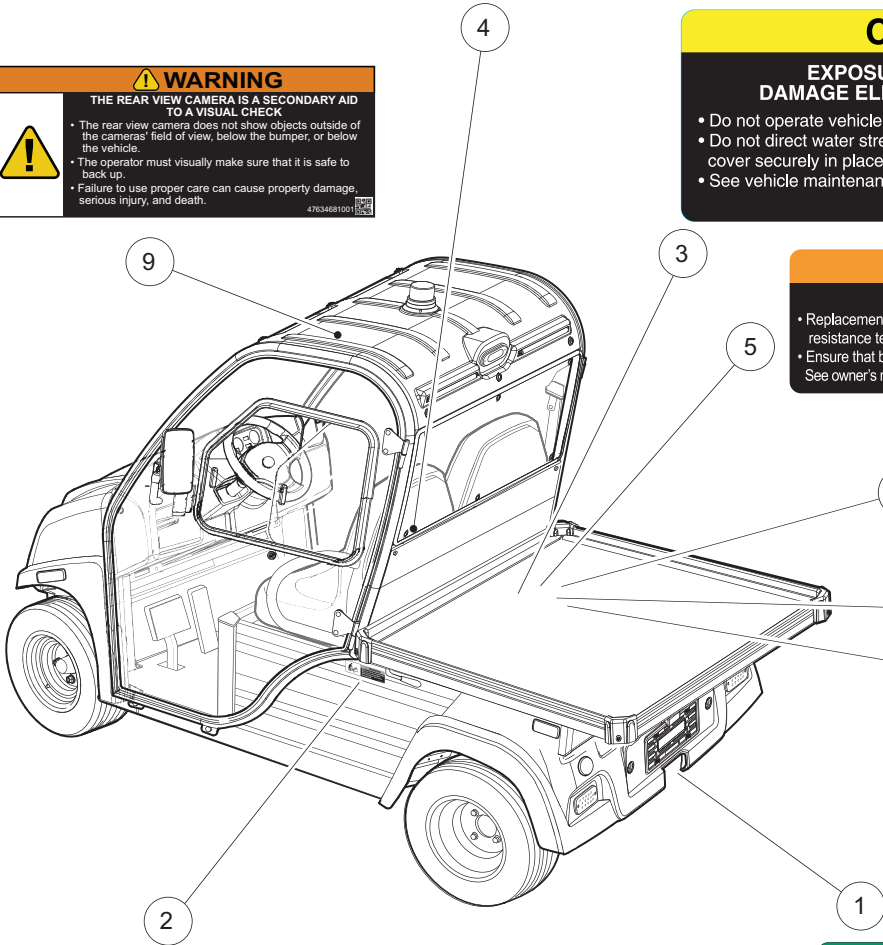
105124701

(+) 48V ACC. FUSE BLOCK

105130001

GND (-)

105163701



LATCH OPEN

WARNING

Crush area. Can cause severe injury. Stay clear when closing bed.

102459301

NOTICE

MAXIMUM TONGUE WEIGHT-150 lb. (667 N)

10115533

2909-001

DECALS – ELECTRIC CARRYALL 510 AND 710, CONTINUED

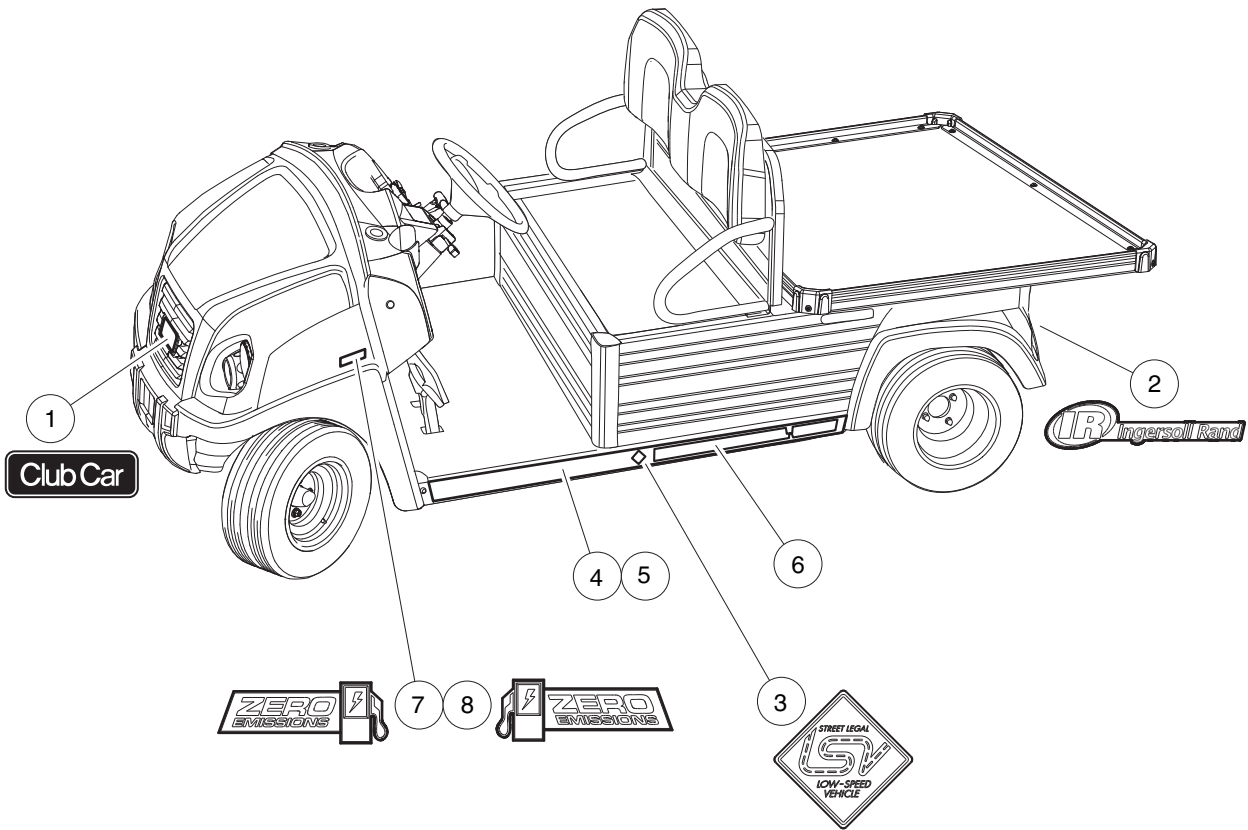
ITEM	PART NO.	DESCRIPTION	QTY
		1 2 3 4	
1	<u>1011553</u>	Decal, Trailer Hitch	1
2	<u>102459301</u>	Decal, Bed Crush Area Warning	1
3	<u>102518301</u>	Decal, Caution, Electrical Component Cover	1
4	<u>102845101</u>	Decal, Tow Switch	1
5	<u>103515301</u>	Decal, Warning, 2 Ga	1
6	<u>105124701</u>	Decal, Caution, Not Use As Gnd	1
7	<u>105130001</u>	Decal, Fuse Block, Acc, 48v	1
8	<u>105163701</u>	Decal, Gnd (-)	1
9	47634681001	Decal, Warning, Rear View Camera	1

3

E

3

E



001027-001

BADGING DECALS – CARRYALL 510

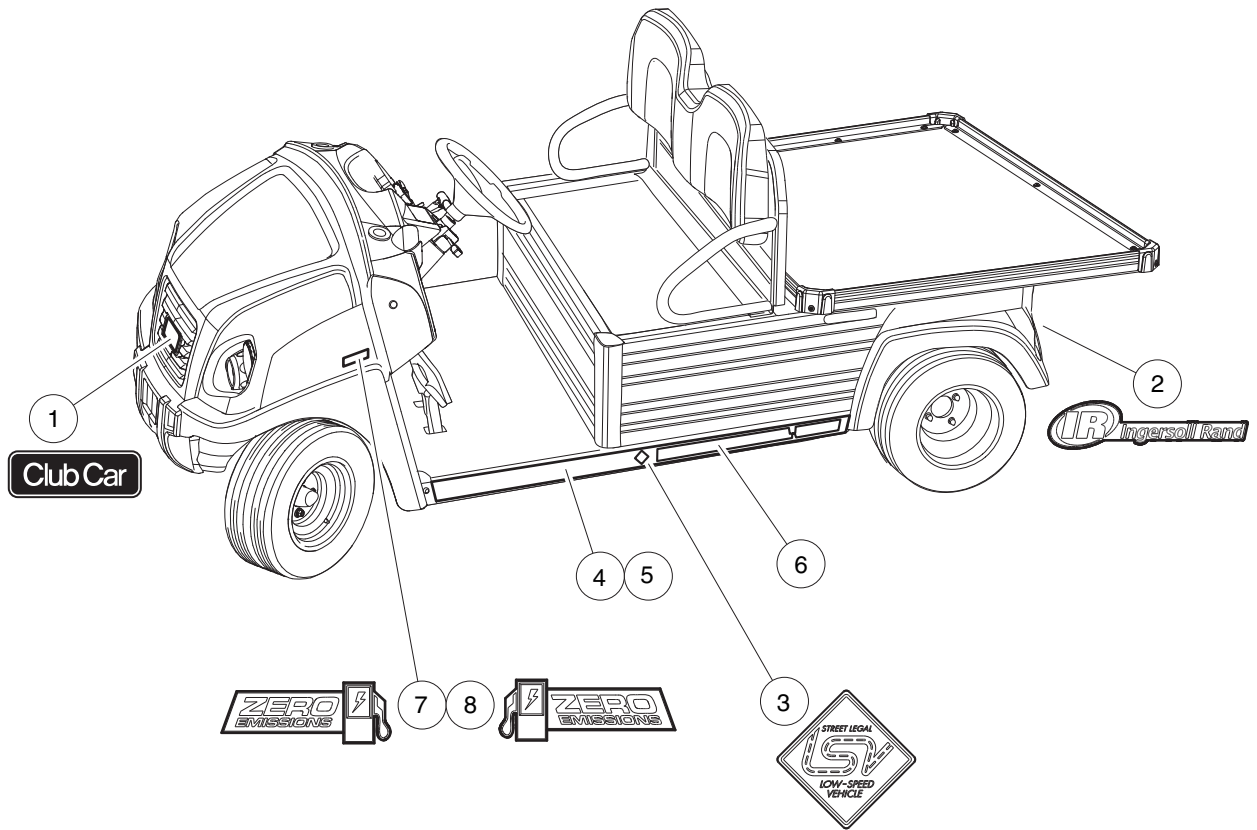
ITEM	PART NO.	DESCRIPTION	QTY
		1 2 3 4	
1	<u>102883601</u>	Decal, Nameplate, CCI, Front	1
2	<u>103234304</u>	Decal, Badge, Ir, Red	1
3	<u>103517801</u>	Decal, Low Speed Vehicle	2
4	<u>105115002</u>	Decal, Side Stringer, Medium	1
5	105115005	Decal, R Side Stringer, Medium	1
6	105152601	Decal, Branding, Ca 510, Lsv	2
7	<u>105153201</u>	Decal, Zero Emission Vhcle, Lh	1
8	<u>105153202</u>	Decal, Zero Emission Vhcle, Rh	1

3

E

3

E



001027-001

BADGING DECALS – CARRYALL 710

ITEM	PART NO.	DESCRIPTION	QTY
		1 2 3 4	
1	<u>102883601</u>	Decal, Nameplate, CCI, Front	1
2	<u>103234304</u>	Decal, Badge, Ir, Red	1
3	<u>103517801</u>	Decal, Low Speed Vehicle	2
4	<u>105115003</u>	Decal, Side Stringer, Long	1
5	<u>105115006</u>	Decal, R Side Stringer, Long	1
6	<u>105153001</u>	Decal, Branding, Ca 710, Lsv	2
7	<u>105153201</u>	Decal, Zero Emission Vhcle, Lh	1
8	<u>105153202</u>	Decal, Zero Emission Vhcle, Rh	1

3

E

3

E

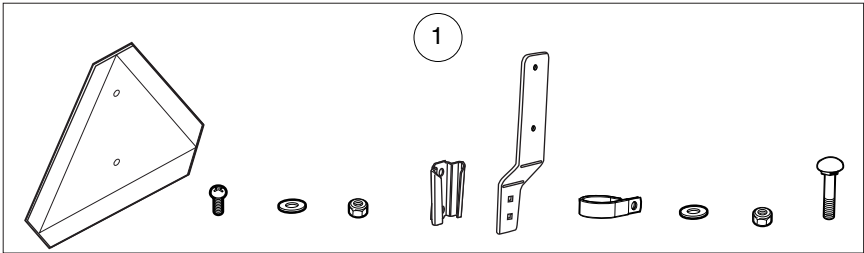
LIGHTS, CONTROLS, AND INDICATORS

4

E

4

E



000861-002

SLOW MOVING VEHICLE TRIANGLE

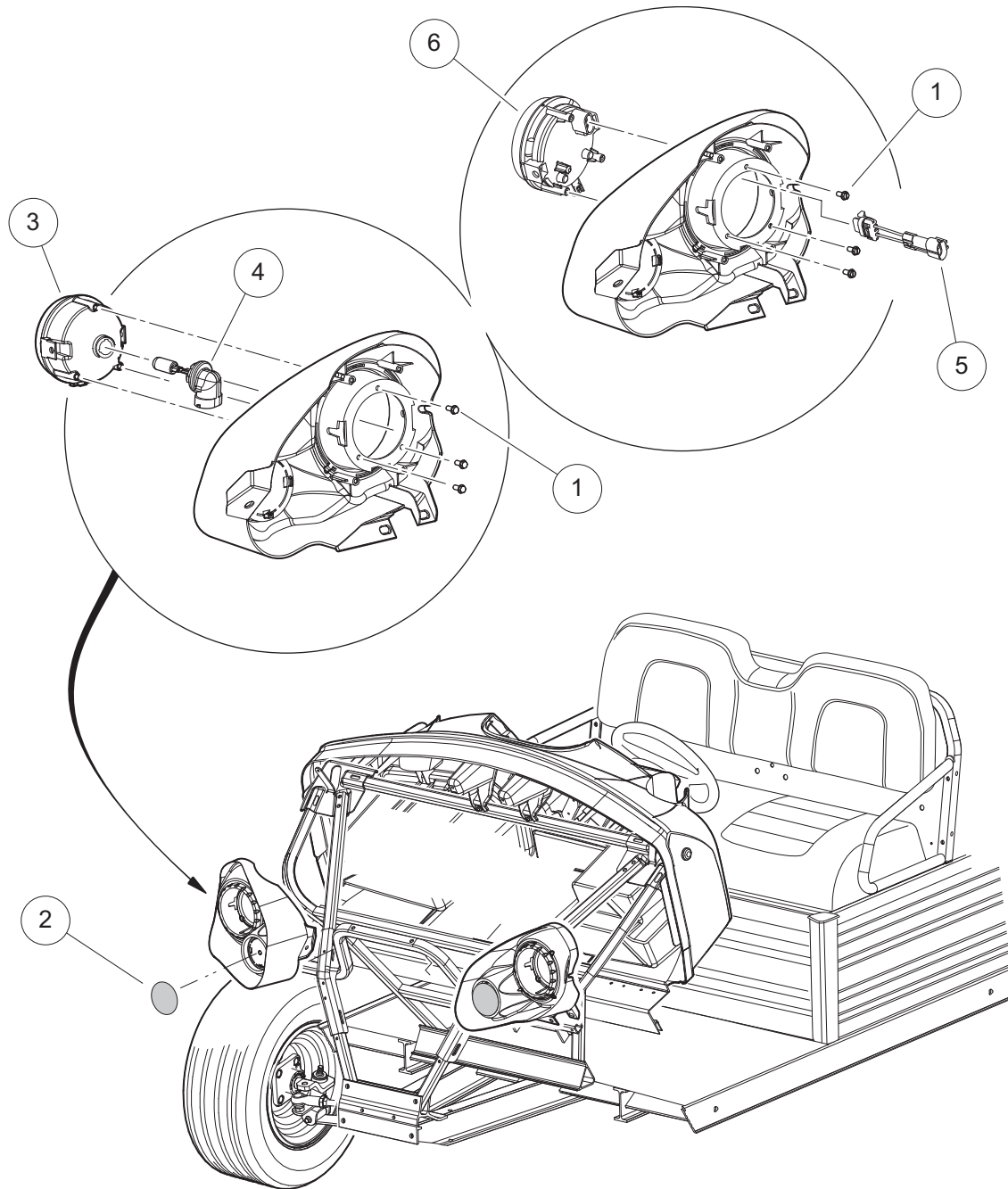
ITEM	PART NO.	DESCRIPTION	QTY
1	<u>103764301</u>	1 2 3 4 Kit, Smv, Lsv	1

4

E

4

E



001370-002

HEADLIGHTS

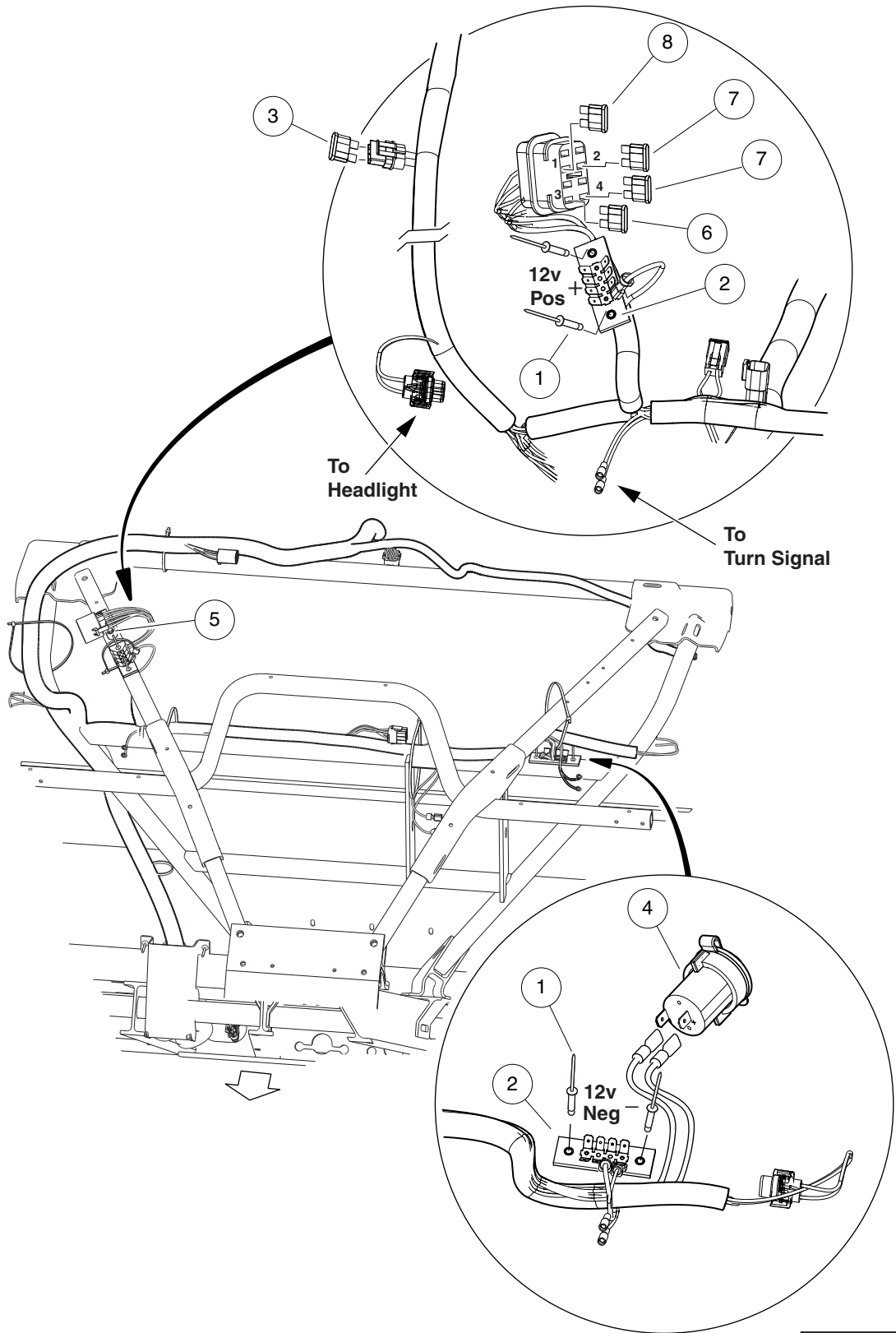
ITEM	PART NO.	DESCRIPTION	QTY
		1 2 3 4	
1	<u>101850301</u>	Screw, #12-16 X 0.50 Washer-Head Hi-Lo	6
2	<u>105036801</u>	Reflector, Decal, 3.20", Amber	2
3	<u>105073401</u>	Hdlight, Round, 4.5", Utl	2
4	<u>105093801</u>	Bulb, Halogen, 862	2
5	47579923001	Jmpr, Head Lt, Led, Ca	2
6	<u>47583907001</u>	Headlight, Led, 4.5", Ca	2
		Note: Item 5 only applies to vehicles with LED headlights.	

4

E

4

E



001360-002

12-VOLT FUSE BLOCK AND FUSES – ELECTRIC VEHICLE

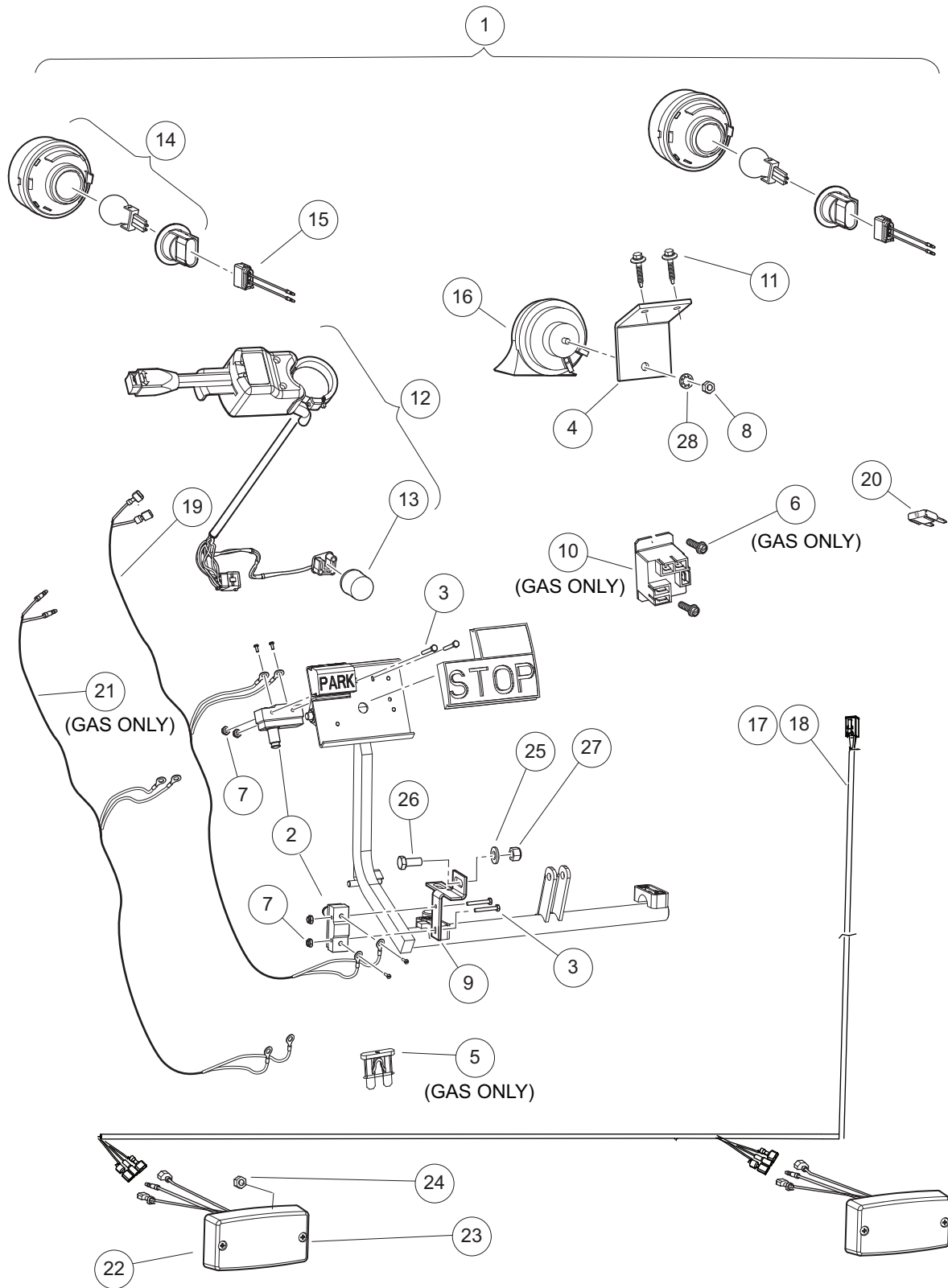
ITEM	PART NO.	DESCRIPTION	QTY
		1 2 3 4	
1	<u>1013357</u>	Rivet, 5/32 Aluminum Pop	4
2	<u>1016356</u>	Terminal Block with Insulator	2
3	<u>1016423</u>	Fuse, 20-Amp	1
4	<u>102198001</u>	Receptacle, Accessory	1
5	<u>102238001</u>	#10-24 Taptite Screw	1
6	<u>105114805</u>	Fuse, Mini, Atm, 7.5 Amp	1
7	<u>105114806</u>	Fuse, Mini, Atm, 10 Amp	2
8	<u>105114807</u>	Fuse, Mini, Atm, 15 Amp	1

4

E

4

E



001368-002

HORN, TURN SIGNALS, AND TAILLIGHTS – ELECTRIC AND GASOLINE VEHICLES

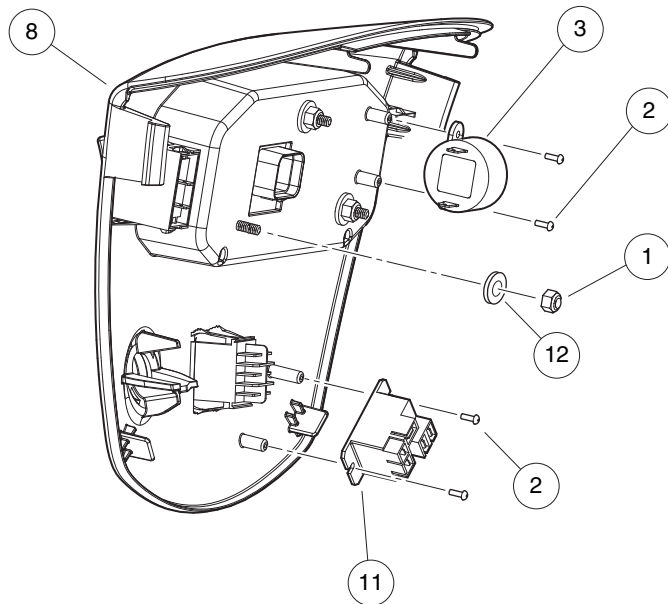
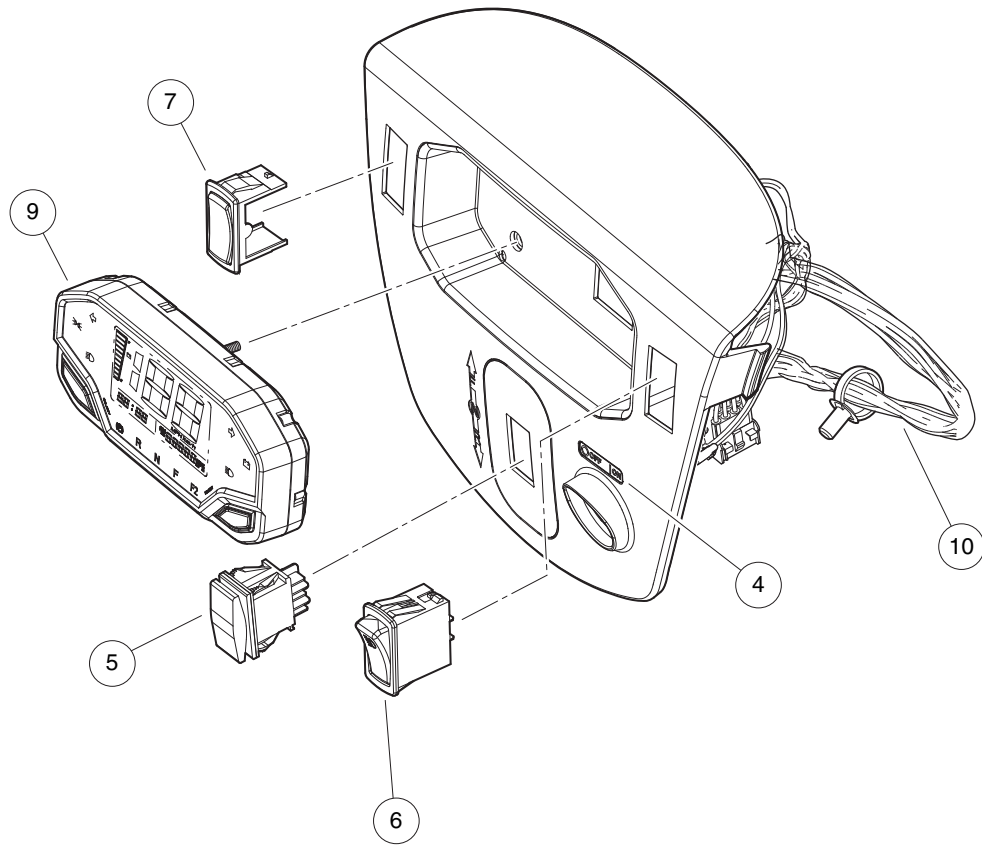
ITEM	PART NO.	DESCRIPTION	QTY
		1 2 3 4	
1	<u>105122808</u>	Kit, Horn/Tail Light/Turn (includes items 2 through 28)	1
2	<u>1011439</u>	Switch, Limit	2
3	<u>1011557</u>	Screw, #6-32 X 1.00 Hex-Head Machine	4
4	<u>1011825</u>	Horn Bracket	1
5	<u>1012295</u>	Fuse, 10-Amp	1
6	<u>1016849</u>	Screw, #4-24 X 0.33, Pan-Head, Machine	2
7	<u>101932201</u>	Locknut, #6-32 Nylon	4
8	<u>101955101</u>	Nut, M6 Hex	1
9	<u>101957101</u>	Bracket, Brake Light Switch	1
10	<u>102199001</u>	Relay, 12-Volt	1
11	<u>102297125</u>	Screw, M6-1.0x25.4, Thread-Forming, SEMS	2
12	<u>102517501</u>	Turn Signal Asm (includes item 13)	1
13	<u>102546401</u>	Flasher Unit, Prec	1
14	<u>102894503</u>	Light, Turn Sig, Round 3", Utl	2
15	<u>103245001</u>	Jumper, Turn Signal, Ca/xrt/hu	2
16	<u>103484301</u>	Horn, 12v, Gnd Isolated	1
17	<u>105108201</u>	Harness, Tail Light, Utility, Short	1
18	<u>105108301</u>	Harness, Tail Light, Utility, Long	1
19	<u>105108401</u>	Harness, Brk, Pedal Switch Utl	1
20	<u>105114806</u>	Fuse, Mini, Atm, 10 Amp	1
21	<u>105135201</u>	Jumper, Hill Brake, Switch	1
22	<u>105165801</u>	Lamp, Stop/trn/tail, Footdeck	2
23	<u>105190601</u>	Screw, #8-32 X 0.625, Clr Znc	4
24	<u>105190701</u>	Nut, Flanged, #8-32, Serrated	4
25	<u>1241</u>	Washer, 5/16 Type A Flat	1
26	<u>7173</u>	Screw, 5/16-18 X 0.75, Hex-Head Cap	1
27	<u>7473</u>	Locknut, 5/16-18 Nylon Insert	2
28	<u>7820</u>	Washer, 5/16 Internal-Tooth	1
Note: 1051082, Harness, Tail Light, Utility, Short, fits the following vehicles with serial prefix: MA, MB, MC, MD, ME, MF, MK, ML, MM, MP, MU.			

4

E

4

E



001369-001

INSTRUMENT PANEL - LSV (DOMESTIC)

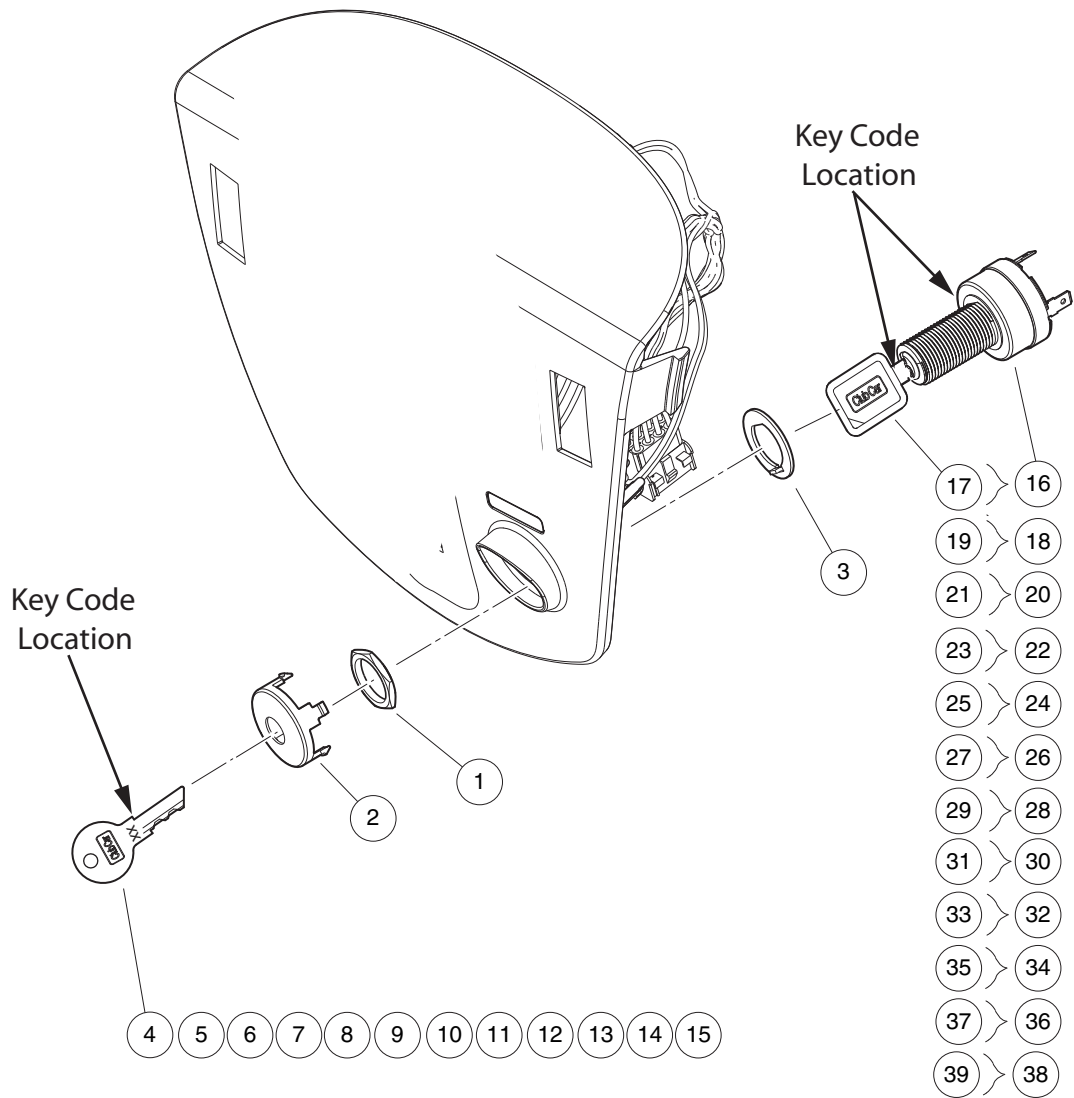
ITEM	PART NO.	DESCRIPTION	QTY
		1 2 3 4	
1	<u>1013061</u>	Locknut, #10-32 Nylon Insert	3
2	<u>1016849</u>	Screw, #4-24 X 0.33, Pan-Head, Machine	4
3	<u>1016851</u>	Multi-Purpose Buzzer (9-48 VDC)	1
4	<u>101825101</u>	Decal, Off/On	1
5	<u>101856001</u>	Switch, Rocker, Double-Pole	1
6	<u>102869401</u>	Switch, Rocker, Light	1
7	<u>103180101</u>	Cover, Hole, Switch, Rocker	1
8	<u>105034103</u>	Panel, Instrument, Koso, Ca	1
9	<u>105073601</u>	Display, Dash, Koso, Elec	1
10	<u>105106901</u>	Harness, Ip, Lsv, Dom, Util	1
11	<u>105112401</u>	Relay, Spdt Nc, 48v 30a, Pmt	1
12	<u>332</u>	Washer, 1/4 Type A Narrow Flat	3

4

E

4

E



001355-001

KEYSWITCH, PRIVATE SPEED MODE - ELECTRIC VEHICLE

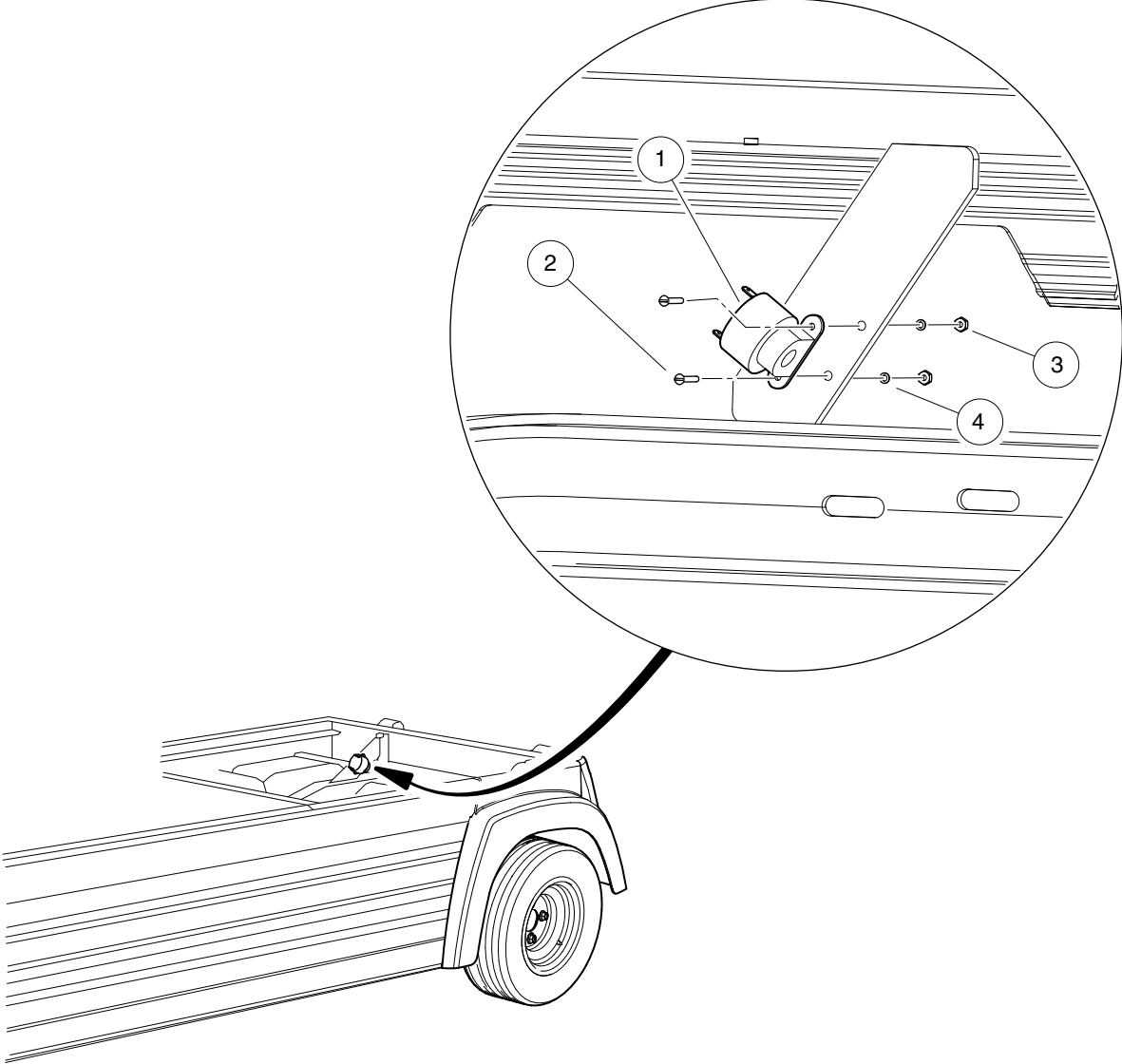
ITEM	PART NO.	DESCRIPTION	QTY
		1 2 3 4	
1	<u>101830701</u>	Nut, Key Switch	1
2	<u>101834502</u>	Cap, Black Key Switch	1
3	<u>101851101</u>	Washer, Key Switch	1
4	<u>101974701</u>	Key, Uncommon 1a	1
5	<u>101974702</u>	Key, Uncommon 1b	1
6	<u>101974703</u>	Key, Uncommon 1c	1
7	<u>101974704</u>	Key, Uncommon 1d	1
8	<u>101974705</u>	Key, Uncommon 2a	1
9	<u>101974706</u>	Key, Uncommon 2b	1
10	<u>101974707</u>	Key, Uncommon 2c	1
11	<u>101974708</u>	Key, Uncommon 2d	1
12	<u>101974709</u>	Key, Uncommon 1e	1
13	<u>101974710</u>	Key, Uncommon 1f	1
14	<u>101974711</u>	Key, Uncommon 2e	1
15	<u>101974712</u>	Key, Uncommon 2f	1
16	<u>105082001</u>	Keysw, Uncom, 4t, Off/p2/p3 1a (includes item 17)	1
17	<u>105068001</u>	Key, Uncommon, Padded 1a	1
18	<u>105082002</u>	Keysw, Uncom, 4t, Off/p2/p3 1b (includes item 19)	1
19	<u>105068002</u>	Key, Uncommon, Padded 1b	1
20	<u>105082003</u>	Keysw, Uncom, 4t, Off/p2/p3 1c (includes item 21)	1
21	<u>105068003</u>	Key, Uncommon, Padded 1c	1
22	<u>105082004</u>	Keysw, Uncom, 4t, Off/p2/p3 1d (includes item 23)	1
23	<u>105068004</u>	Key, Uncommon, Padded 1d	1
24	<u>105082005</u>	Keysw, Uncom, 4t, Off/p2/p3 1e (includes item 25)	1
25	<u>105068005</u>	Key, Uncommon, Padded 1e	1
26	<u>105082006</u>	Keysw, Uncom, 4t, Off/p2/p3 1f (includes item 27)	1
27	<u>105068006</u>	Key, Uncommon, Padded 1f	1
28	<u>105082007</u>	Keysw, Uncom, 4t, Off/p2/p3 2a (includes item 29)	1
29	<u>105068007</u>	Key, Uncommon, Padded 2a	1
30	<u>105082008</u>	Keysw, Uncom, 4t, Off/p2/p3 2b (includes item 31)	1
31	<u>105068008</u>	Key, Uncommon, Padded 2b	1
32	<u>105082009</u>	Keysw, Uncom, 4t, Off/p2/p3 2c (includes item 33)	1
33	<u>105068009</u>	Key, Uncommon, Padded 2c	1
34	<u>105082010</u>	Keysw, Uncom, 4t, Off/p2/p3 2d (includes item 35)	1
35	<u>105068010</u>	Key, Uncommon, Padded 2d	1
36	<u>105082011</u>	Keysw, Uncom, 4t, Off/p2/p3 2e (includes item 37)	1
37	<u>105068011</u>	Key, Uncommon, Padded 2e	1
38	<u>105082012</u>	Keysw, Uncom, 4t, Off/p2/p3 2f (includes item 39)	1
39	<u>105068012</u>	Key, Uncommon, Padded 2f	1
		Note: Keyswitch <u>105082001</u> , is standard for private speed mode electric vehicles equipped with a cab. Keyswitch <u>105082002</u> , is standard for private speed mode electric vehicles without a cab. Keyswitches <u>105082003</u> through <u>105082012</u> allows different key code combinations for private speed mode electric fleet vehicles.	

4

E

4

E



001361-001

REAR MOUNTED REVERSE BUZZER

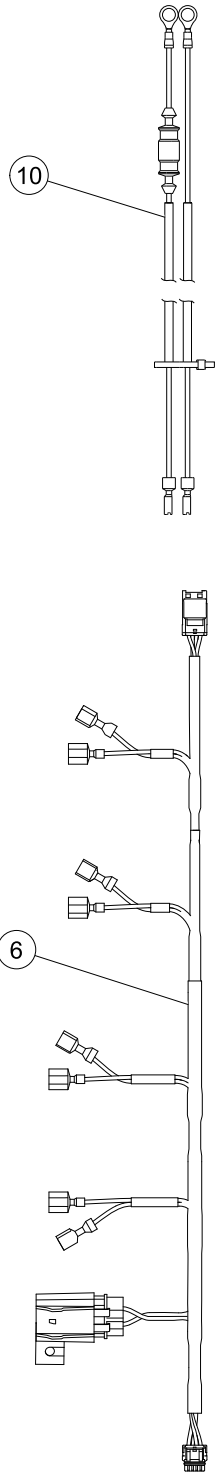
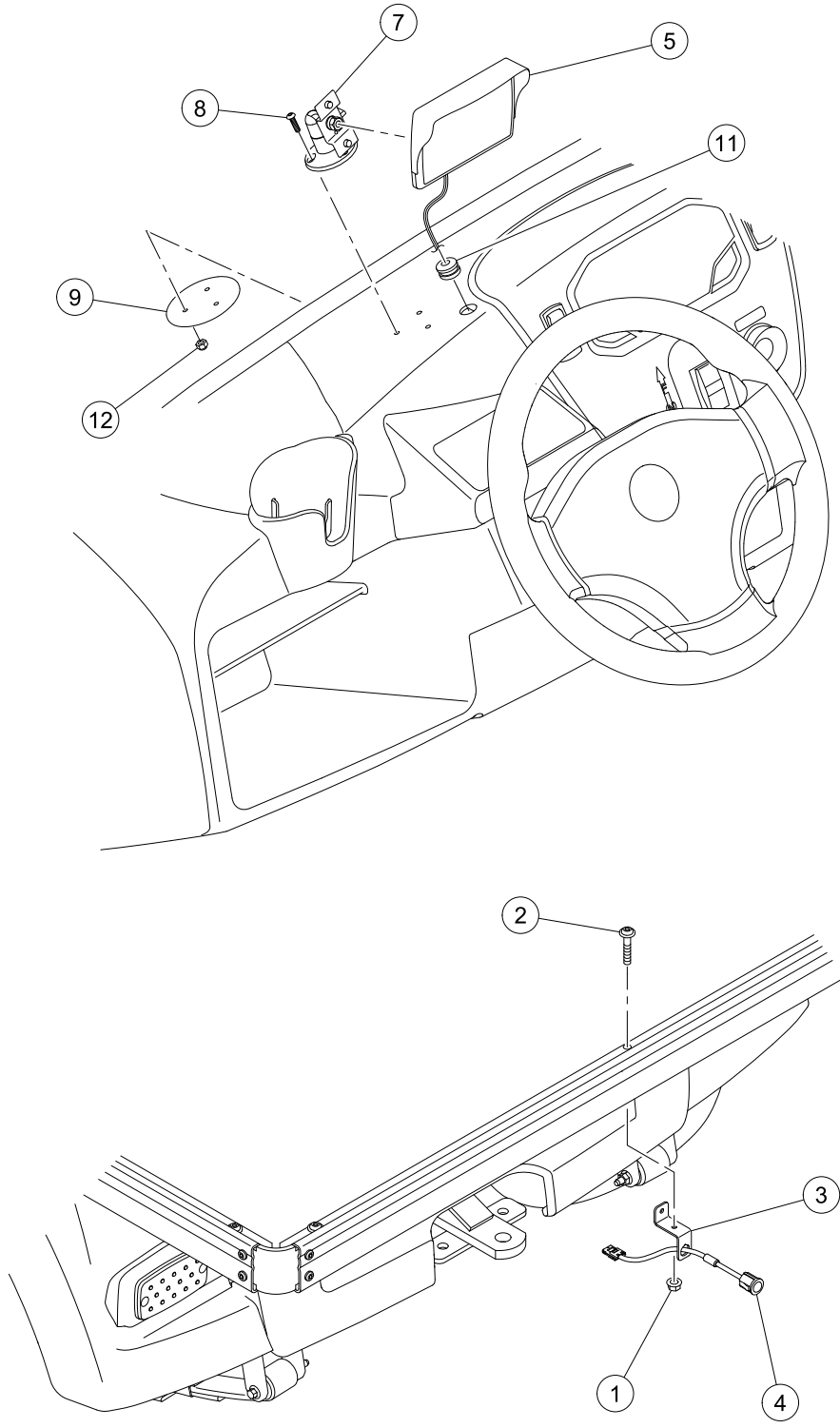
ITEM	PART NO.	DESCRIPTION	QTY
		1 2 3 4	
1	<u>1016851</u>	Multi-Purpose Buzzer (9-48 VDC)	1
2	<u>8056</u>	Screw, #4-40 X 0.75 Round-Head Machine	2
3	<u>8057</u>	Nut, #4-40 Hex Machine	2
4	<u>8058</u>	Lockwasher, #4 Split	2

4

E

4

E



G-150399-000004

REAR-VIEWCAMERA

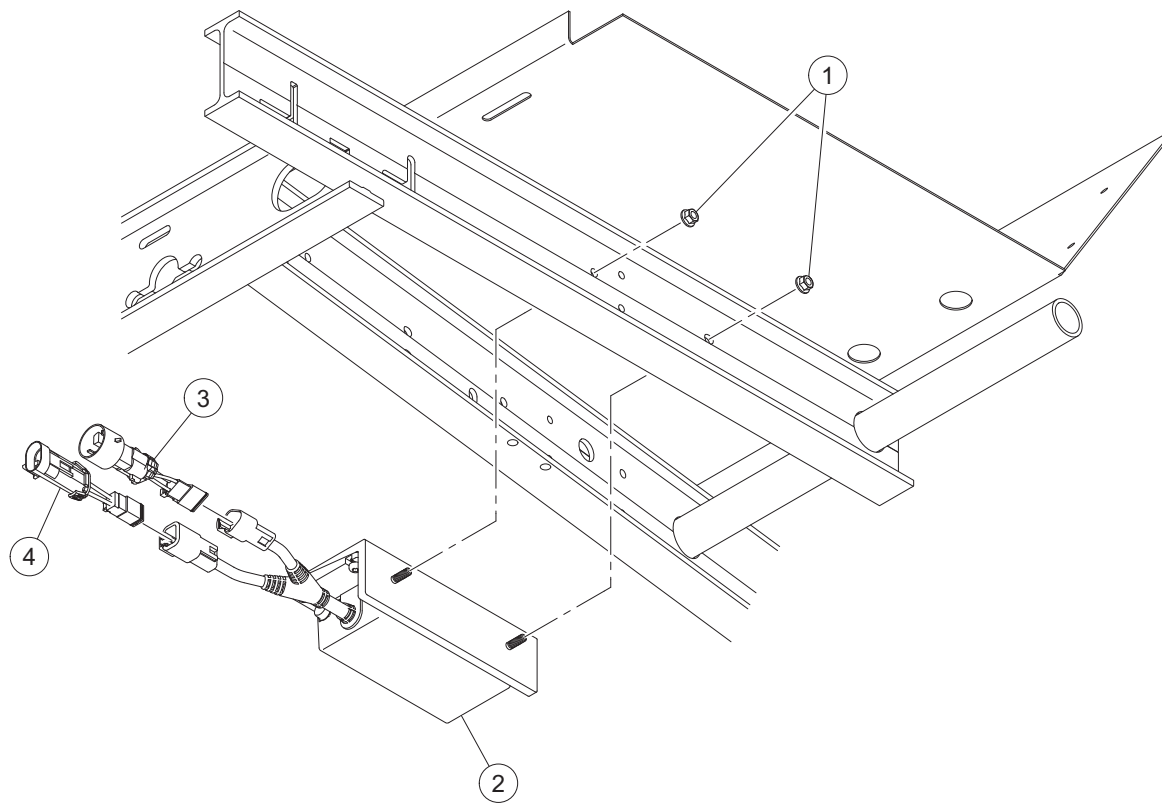
ITEM	PART NO.	DESCRIPTION	QTY
		1 2 3 4	
1	<u>102298401</u>	Nut, M8, All Metal Lock	1
2	<u>102299550</u>	Screw,m8x50,sems,tx,bttn,plt	1
3	47627145001	Rear-View Camera Bracket, Carryall Bed	1
4	47627947001	Camera	1
5	47627948001	Monitor, Backup	1
6	47628823001	Harness, Camera, Backup	1
7	47631859001	Brkt Mount, Backup Monitor	1
8	47632459001	Screw, #8-32 X 5/8 Hx-s, Sbhc	3
9	47632461001	Brkt, Bua Backing Plate	1
10	47633509001	Asm, Jumper, Bua, Ca	1
11	47634631001	Grommet, Sbr, 5/8" Od, Split	1
12	SVP152201	Locknut, #8-32 Nylon; Zinc Pl	3

4

E

4

E



G-130299-000006

DC/DC CONVERTER – ELECTRIC VEHICLE

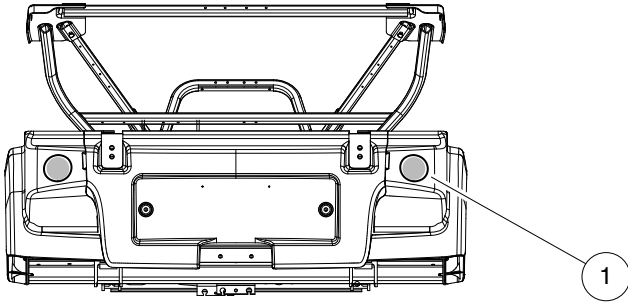
ITEM	PART NO.	DESCRIPTION	QTY
		1 2 3 4	
1	<u>101835601</u>	Locknut, 1/4-20 Hex Whiz	2
2	<u>47594727001</u>	Converter, Dc/dc	1
3	<u>47605866001</u>	Jmpr, Dc Conv, Dt/mp480s, 3pin	1
4	<u>47605867001</u>	Jmpr, Dc Conv, Dt/mp480s, 2pin	1

4

E

4

E



001362-001

REFLECTORS

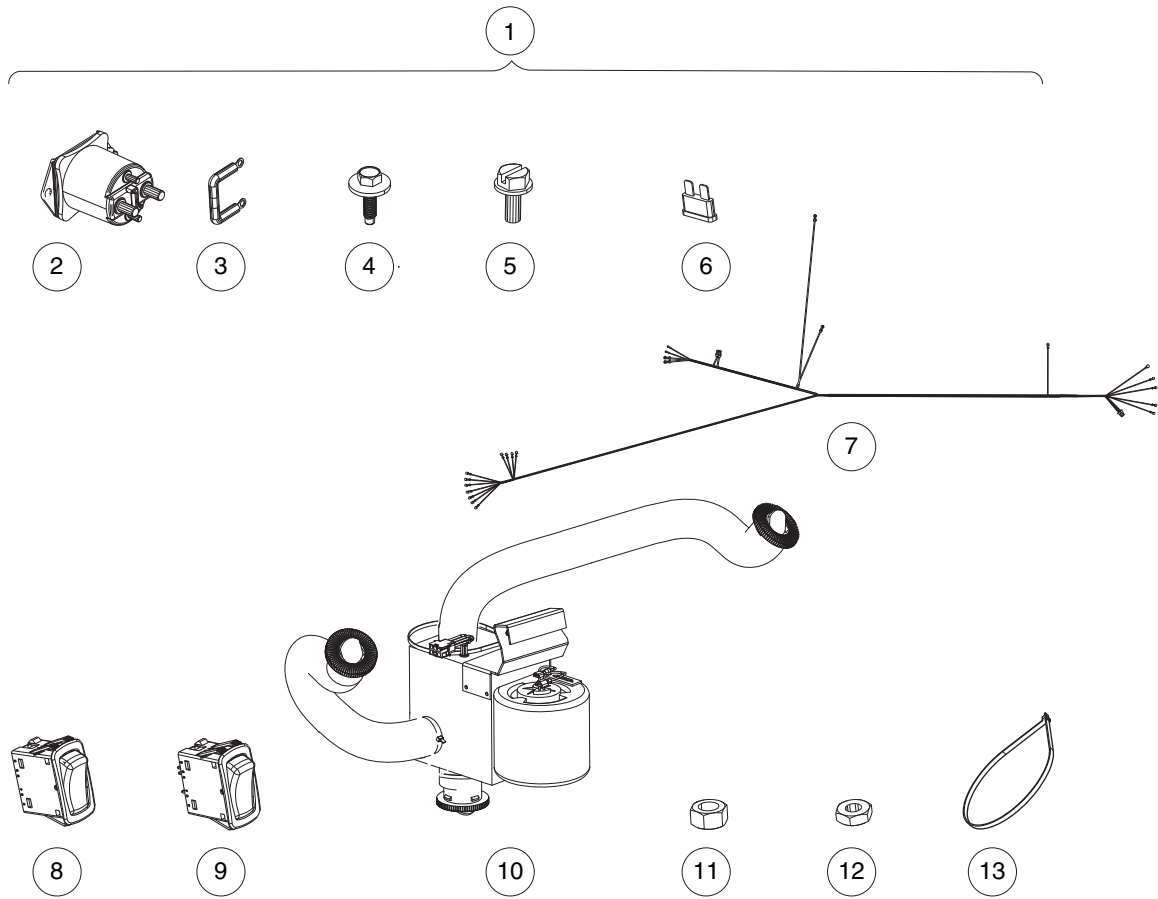
ITEM	PART NO.	DESCRIPTION	QTY
1	<u>103832501</u>	1 2 3 4 Reflector, Red, Round, Sae	2
2	<u>103832601</u>	Reflector, Yell, Rect, Sae	2
3	<u>105144801</u>	Reflector, Red, Rect, Sae	2

4

E

4

E



001366-002

HEATER DEFOGGER – ELECTRIC VEHICLE

ITEM	PART NO.	DESCRIPTION	QTY
		1 2 3 4	
1	<u>105135802</u>	Kit, Defogger, Heater (includes items 2 through 13)	1
2	<u>1013609</u>	Solenoid, 12-Volt	1
3	<u>1014948</u>	Diode	1
4	<u>102297125</u>	Screw, M6-1.0x25.4, Thread-Forming, SEMS	2
5	<u>102817101</u>	Screw, 1/4-20 X .50 Hex Wsh Hd	2
6	<u>103541401</u>	Fuse, Atc, 5 Amp	1
7	<u>105108801</u>	Harness, Heater, Cab, Util	1
8	<u>105112501</u>	Switch, Heater, 12vdc	1
9	<u>105112601</u>	Switch, Blower, 12vdc	1
10	N/A	Heater, Defogger	1
11	<u>1242</u>	Nut, 5/16-18 Hex	2
12	<u>7893</u>	Nut, #10-32 Hex	2
13	<u>8639</u>	Tie Wrap, 11" Nylon	8

4

E

4

E

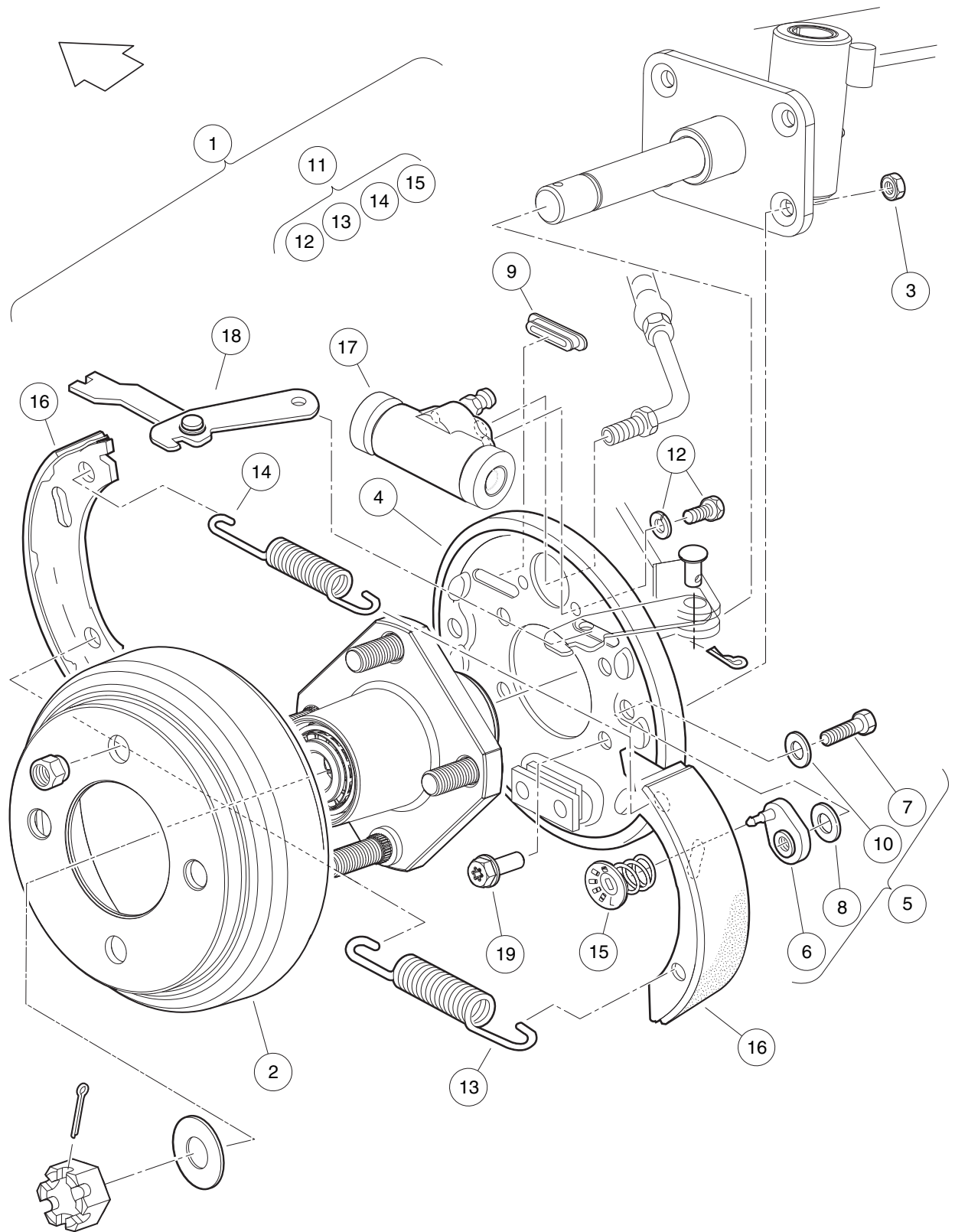
BRAKES, PEDALS, AND CABLE ASSEMBLIES

5

E

5

E



001416-002

HYDRAULIC FRONT DRUM BRAKE ASSEMBLY – DRIVER-SIDE

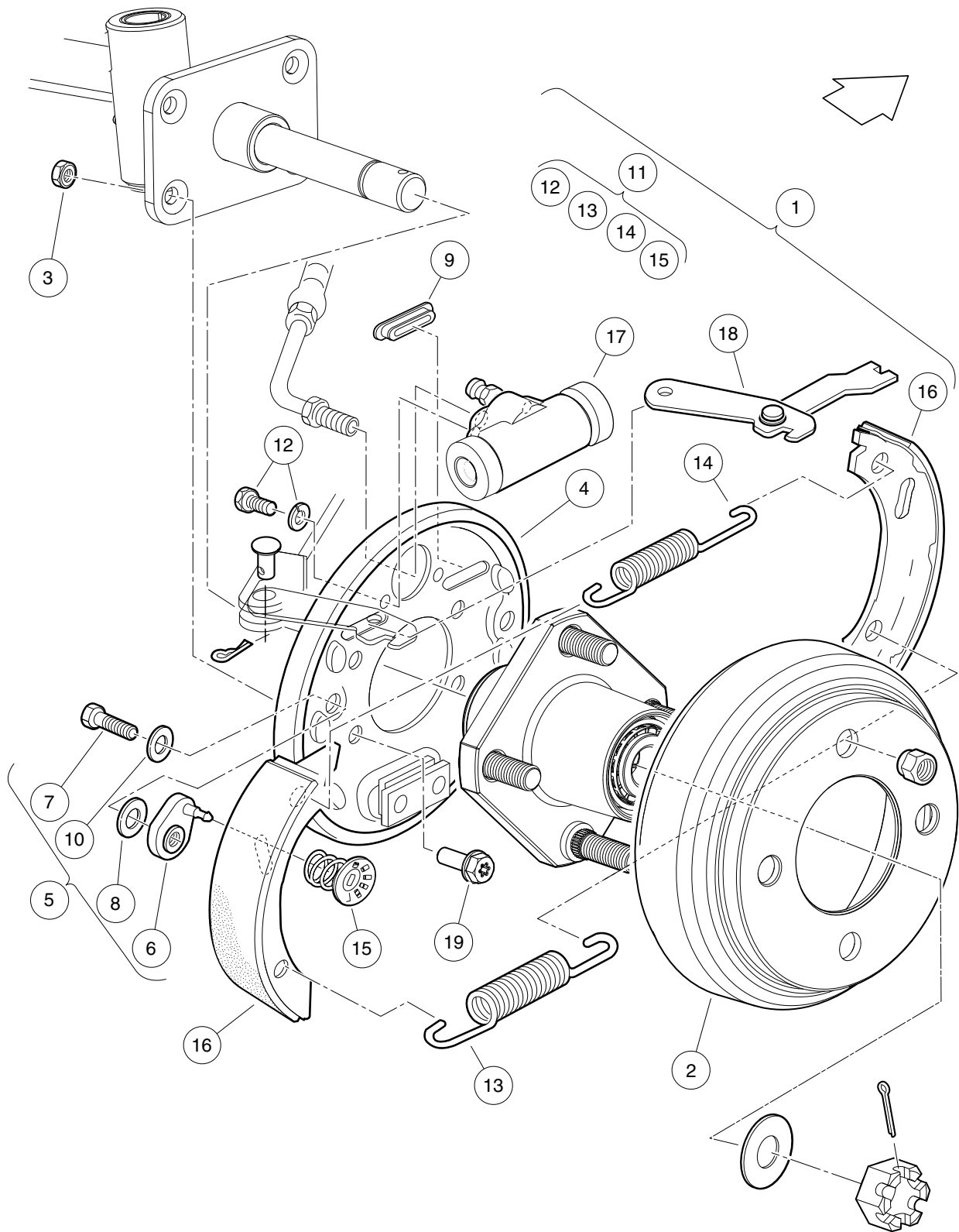
ITEM	PART NO.	DESCRIPTION	QTY
		1 2 3 4	
1	<u>102033401</u>	Assembly, Brake Cluster LH (includes items 2 through 19)	1
2	<u>1011137</u>	Drum, Brake	1
3	<u>1013924</u>	Nut, 5/16-24, Hex Head Cone	4
4	<u>102049401</u>	Backing Plate Asm	1
5	<u>102049601</u>	Kit, Axle Adjuster (includes items 6 through 10)	1
6	<u>102049501</u>	Adjuster	4
7	<u>102049901</u>	Bolt, 1/4-28 UNF X .31	4
8	<u>102050001</u>	Washer	4
9	<u>102050101</u>	Dust Cover	4
10	N/A	Washer, 1/4 Flat	4
11	<u>102049701</u>	Kit, Axle Hardware (includes items 12 through 15)	1
12	<u>102050401</u>	Bolt, Wheel Cylinder	2
13	<u>102050501</u>	Spring, Shoe To Shoe, Lower	1
14	<u>102050601</u>	Spring, Shoe To Shoe, Upper	1
15	<u>102050701</u>	Shoe Hold Down	2
16	<u>102050201</u>	Shoe Kit, Axle Set	1
17	<u>102050801</u>	Wheel Cylinder Assembly 0.875 Dia	1
18	<u>102050902</u>	Park Brake Assembly, Left-Hand	1
19	<u>103229601</u>	Bolt, Brake Cluster Mnt, Hyd	4

5

E

5

E



001416-003

HYDRAULIC FRONT DRUM BRAKE ASSEMBLY – PASS-SIDE

ITEM	PART NO.	DESCRIPTION	QTY
		1 2 3 4	
1	<u>102033501</u>	Assembly, Brake Cluster RH (includes items 2 through 19)	1
2	<u>1011137</u>	Drum, Brake	1
3	<u>1013924</u>	Nut, 5/16-24, Hex Head Cone	4
4	<u>102049401</u>	Backing Plate Asm	1
5	<u>102049601</u>	Kit, Axle Adjuster (includes items 6 through 10)	1
6	<u>102049501</u>	Adjuster	4
7	<u>102049901</u>	Bolt, 1/4-28 UNF X .31	4
8	<u>102050001</u>	Washer	4
9	<u>102050101</u>	Dust Cover	4
10	N/A	Washer, 1/4 Flat	4
11	<u>102049701</u>	Kit, Axle Hardware (includes items 12 through 15)	1
12	<u>102050401</u>	Bolt, Wheel Cylinder	2
13	<u>102050501</u>	Spring, Shoe To Shoe, Lower	1
14	<u>102050601</u>	Spring, Shoe To Shoe, Upper	1
15	<u>102050701</u>	Shoe Hold Down	2
16	<u>102050201</u>	Shoe Kit, Axle Set	1
17	<u>102050801</u>	Wheel Cylinder Assembly 0.875 Dia	1
18	<u>102050901</u>	Park Brake Assembly, Right-Hand	1
19	<u>103229601</u>	Bolt, Brake Cluster Mnt, Hyd	4

5

E

BRAKE PEDAL ASSEMBLY

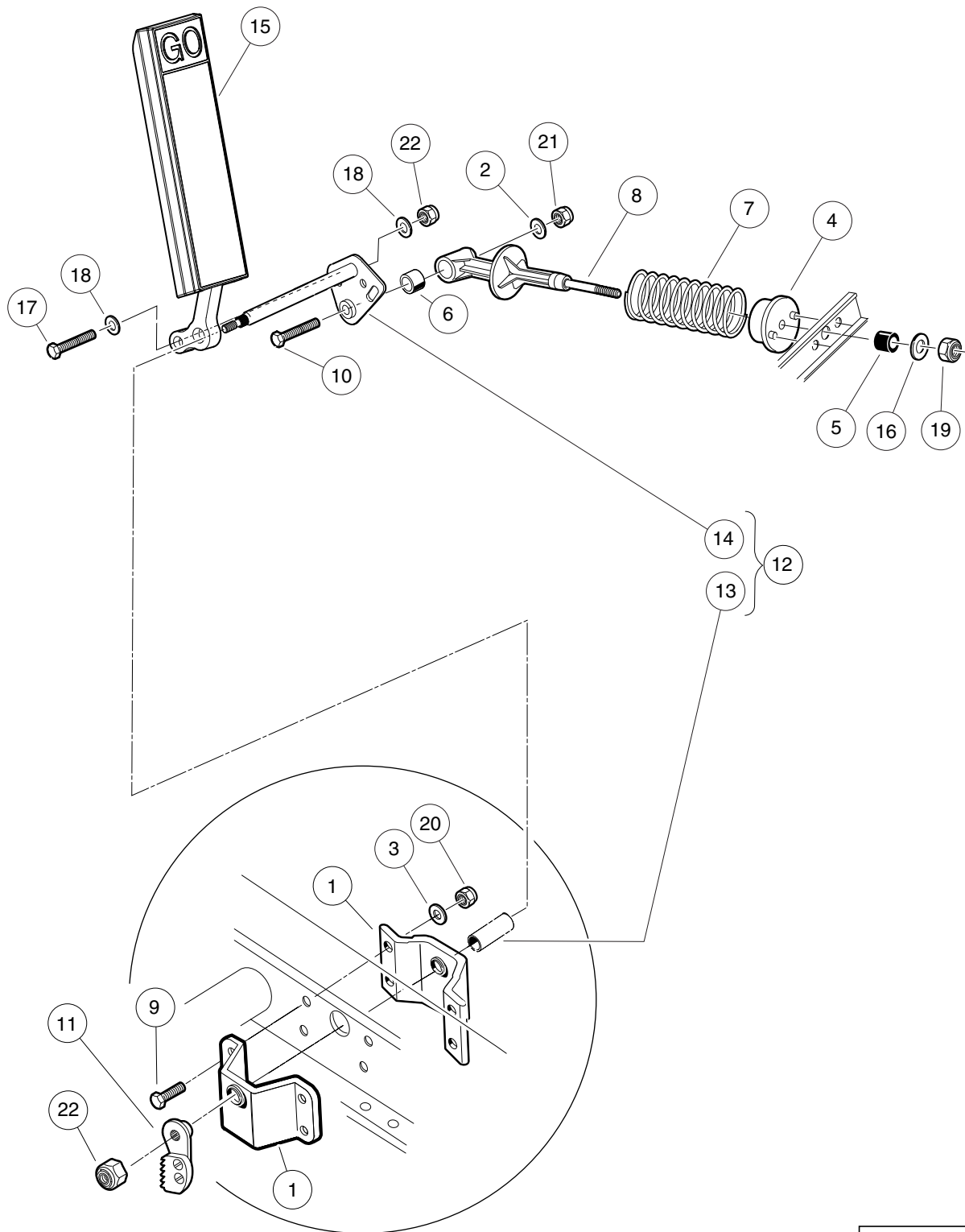
ITEM	PART NO.	DESCRIPTION	QTY
		1 2 3 4	
1	<u>1010921</u>	Screw, 5/16-18 X 2.50 Hex Cap	4
2	<u>1011402</u>	Package, Brake Mounting Block	1
3	<u>1013531</u>	Spring, Brake Return	1
4	<u>101806005</u>	I-beam Grommet - 6.75	3
5	<u>101953101</u>	Rod, Equalizer, 8.91"	1
6	<u>101953105</u>	Rod, Equalizer, 13.30"	1
7	<u>102028903</u>	Brake Pedal Asm (includes items 8 through 12)	1
8	<u>1010878</u>	Bumper, Rubber	1
9	<u>102028601</u>	Pad, Hydraulic Brake Pedal	1
10	N/A	Brake Pedal Weld Asm	1
11	<u>1028</u>	Nut, 1/4-20 Hex	1
12	7716	Screw, #10-16 Type AB, Sheet Metal	4
13	<u>102323101</u>	Pin, Bow Tie Locking	2
14	<u>102323201</u>	Pin, 3/8 X 1-5/16 Clevis	2
15	<u>1241</u>	Washer, 5/16 Type A Flat	4
16	<u>7473</u>	Locknut, 5/16-18 Nylon Insert	4

5

E

5

E



001406-001

ACCELERATOR PEDAL ASSEMBLY – ELECTRIC VEHICLES

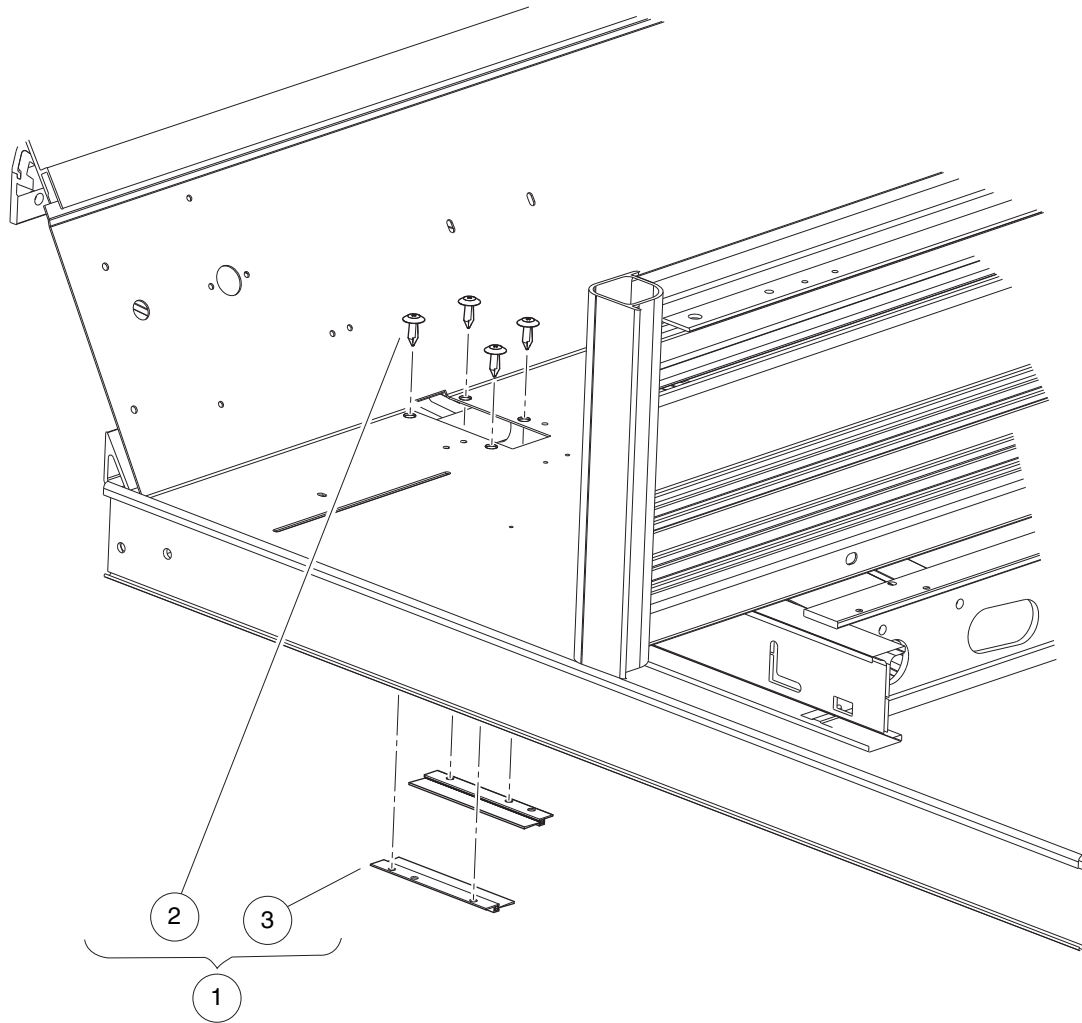
ITEM	PART NO.	DESCRIPTION	QTY
		1 2 3 4	
1	<u>1011694</u>	Accelerator Bracket and Bearing Assembly	2
2	<u>1011931</u>	Washer, 1/4 Flat	1
3	<u>1014007</u>	Washer, 1/4, Flat	4
4	<u>1017378</u>	Cup, Spring	1
5	<u>1017380</u>	Bumper, Spring Return	1
6	<u>1017424</u>	Bearing, Pivot Support	1
7	101796201	Spring, Accelerator Return	1
8	<u>101817401</u>	Retainer, Spring	1
9	<u>101861901</u>	Screw, 1/4-20 X 1.125 Hex Cap	4
10	<u>101862001</u>	Screw, 1/4-20 X 1.500 Flange	1
11	101918501	Ratchet Assembly	1
12	<u>102026001</u>	Kit, Accelerator Pivot Rod Assembly (includes items 13 and 14)	1
13	101919801	Spacer, Accelerator	1
14	<u>102158901</u>	Pivot Rod Weldment	1
15	<u>103865101</u>	Pedal, Accel, Insert	A/R
16	<u>1241</u>	Washer, 5/16 Type A Flat	1
17	<u>1624</u>	Screw, 3/8-16 X 1.50, Hex-Head Cap	1
18	<u>334</u>	Washer, 3/8, Type A, Flat	2
19	<u>7473</u>	Locknut, 5/16-18 Nylon Insert	1
20	<u>8233</u>	Locknut, 1/4-20, Nylon Insert	4
21	<u>8717</u>	Locknut, Nylon Insert, 1/4-28	1
22	<u>8754</u>	Locknut, 3/8-16 Hex	2

5

E

5

E



001418-001

PEDAL CLOSE-OUT KIT

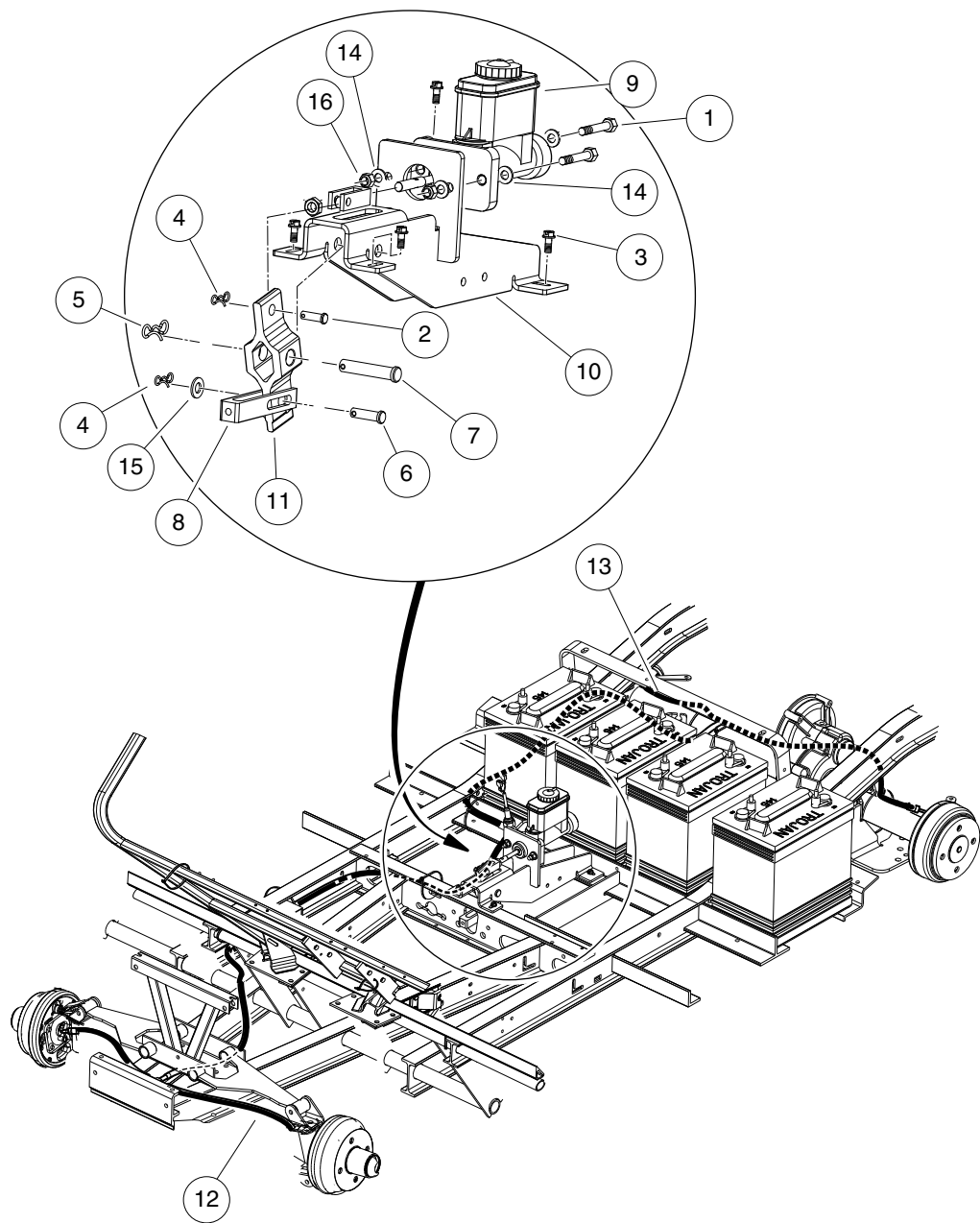
ITEM	PART NO.	DESCRIPTION	QTY
		1 2 3 4	
1	<u>105149101</u>	Kit, Close Out, Pedal, Utl (includes items 2 and 3)	1
2	<u>102025701</u>	Screw, Tuflok Panel, 1/4	4
3	<u>105149201</u>	Asm, Brush, Pedal Close Out	2

5

E

5

E



001419-001

MASTER CYLINDER, BELL CRANK, AND BRAKE LINES – CA510

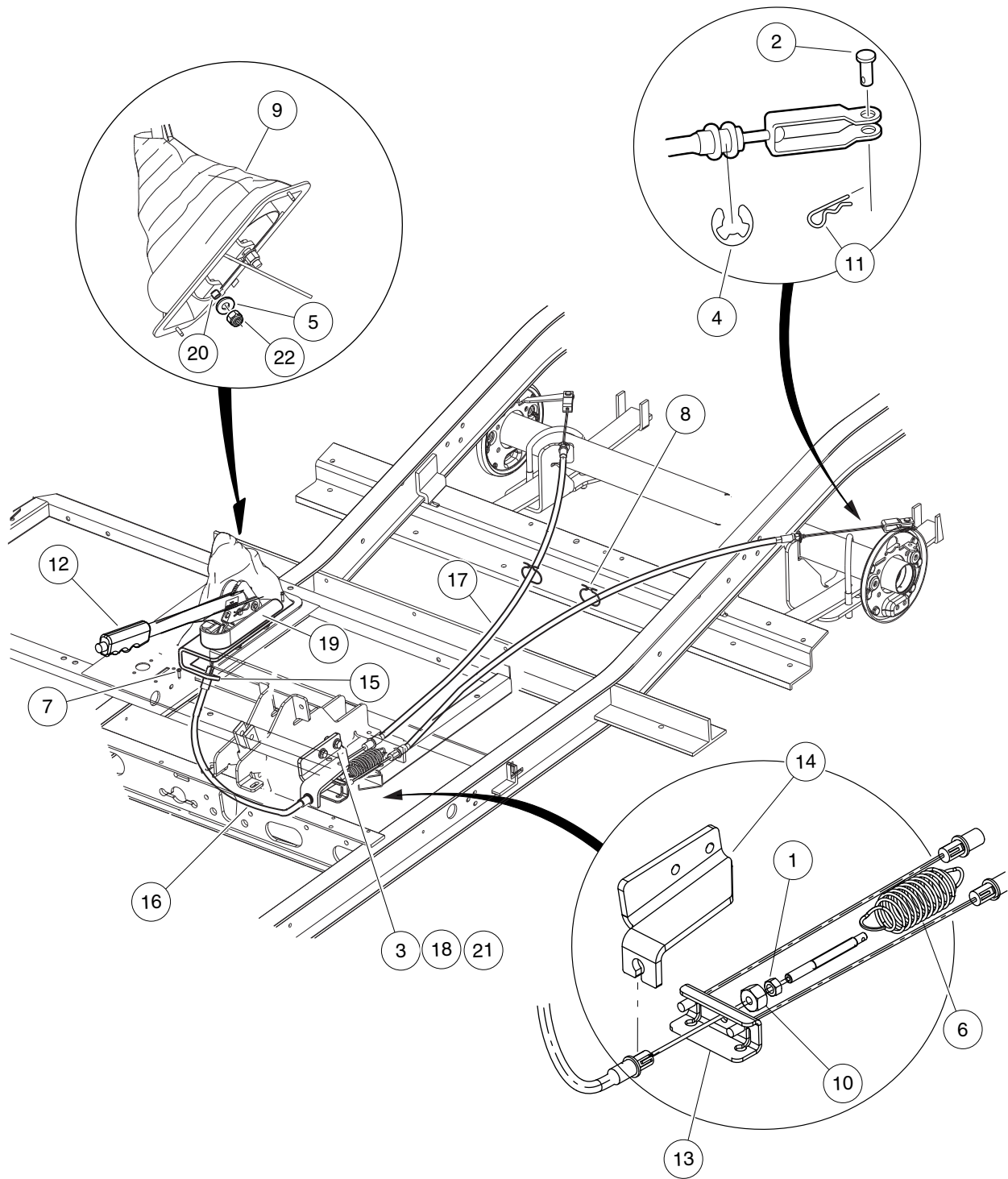
ITEM	PART NO.	DESCRIPTION	QTY
		1 2 3 4	
1	<u>1010577</u>	Bolt, Hex-Head, 5/16-18 X 1.50	2
2	<u>101082903</u>	Pin, Clevis, 5/16 X 1	1
3	<u>1012285</u>	Screw, 1/4 X 0.625 Hex-Head	5
4	<u>102292801</u>	Pin, Bow Tie Locking - .072	2
5	<u>102323101</u>	Pin, Bow Tie Locking	1
6	<u>102323201</u>	Pin, 3/8 X 1-5/16 Clevis	1
7	<u>102519001</u>	Pin, 1/2 X 2-1/2 Clevis	1
8	<u>102976701</u>	Clevis, Bellcrank, Autobrake	1
9	<u>103376101</u>	Cylinder, Master, Integral Res	1
10	103635801	Brkt, Service Brake, 4pass	1
11	103665002	Asm, Pivot Lever, Lsv	1
12	<u>103865001</u>	Asm, Brake-line, Frt, Flre End	1
13	<u>103971501</u>	Asm, Brake Line, Rr, Ca2	1
14	<u>1241</u>	Washer, 5/16 Type A Flat	4
15	<u>334</u>	Washer, 3/8, Type A, Flat	1
16	<u>7473</u>	Locknut, 5/16-18 Nylon Insert	2

5

E

5

E



001413-001

HAND BRAKE ASSEMBLY – CA510

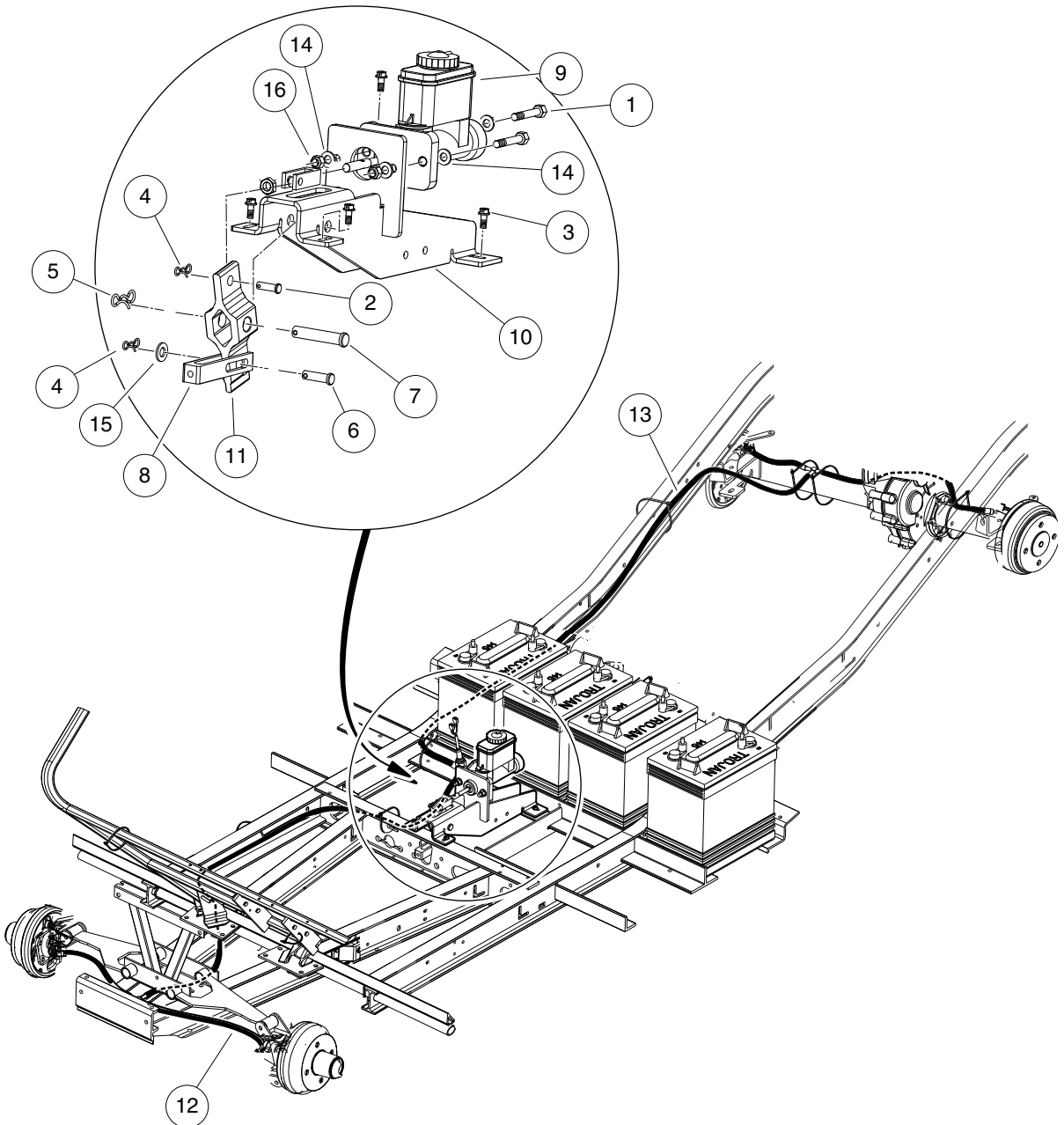
ITEM	PART NO.	DESCRIPTION	QTY
		1 2 3 4	
1	<u>1010521</u>	Nut, 5/16-24 Hex	1
2	<u>1010829</u>	Pin, Clevis, 5/16 X 3/4	2
3	<u>1010934</u>	Screw, 5/16-18 X 1.00 Hex Cap	2
4	<u>1011779</u>	E-Clip, 1/2	2
5	<u>1011990</u>	Washer, 3/8 Flat	2
6	<u>1013531</u>	Spring, Brake Return	1
7	<u>101832001</u>	Screw, #7-19 X 0.625 Phillips Pan-Head Tap	2
8	<u>101900801</u>	Hanger, Brake Cable	2
9	<u>102033701</u>	Park Brake Boot	1
10	<u>102052801</u>	Nut, 5/16-24 Hex Cone	1
11	<u>102292801</u>	Pin, Bow Tie Locking - .072	2
12	<u>102444601</u>	Lever, Box	1
13	<u>103525801</u>	Equalizer, Park Brake, lc	1
14	<u>103625801</u>	Brkt, Park Brake, Lower	1
15	<u>103625901</u>	Brkt, Park Brake, Upper	1
16	<u>103626001</u>	Cable, Park Brake, Front	1
17	<u>103627001</u>	Cable, Park Brake, Rear, Ca2	2
18	<u>1241</u>	Washer, 5/16 Type A Flat	4
19	<u>183</u>	Washer, #10, Type A, Flat	2
20	<u>54562079</u>	Shield, Boot	1
21	<u>705</u>	Screw, Cap-hex Hd 3/8-16x1.25	2
22	<u>7473</u>	Locknut, 5/16-18 Nylon Insert	2
23	<u>8754</u>	Locknut, 3/8-16 Hex	2

5

E

5

E



001420-001

MASTER CYLINDER, BELL CRANK, AND BRAKE LINES – CA710

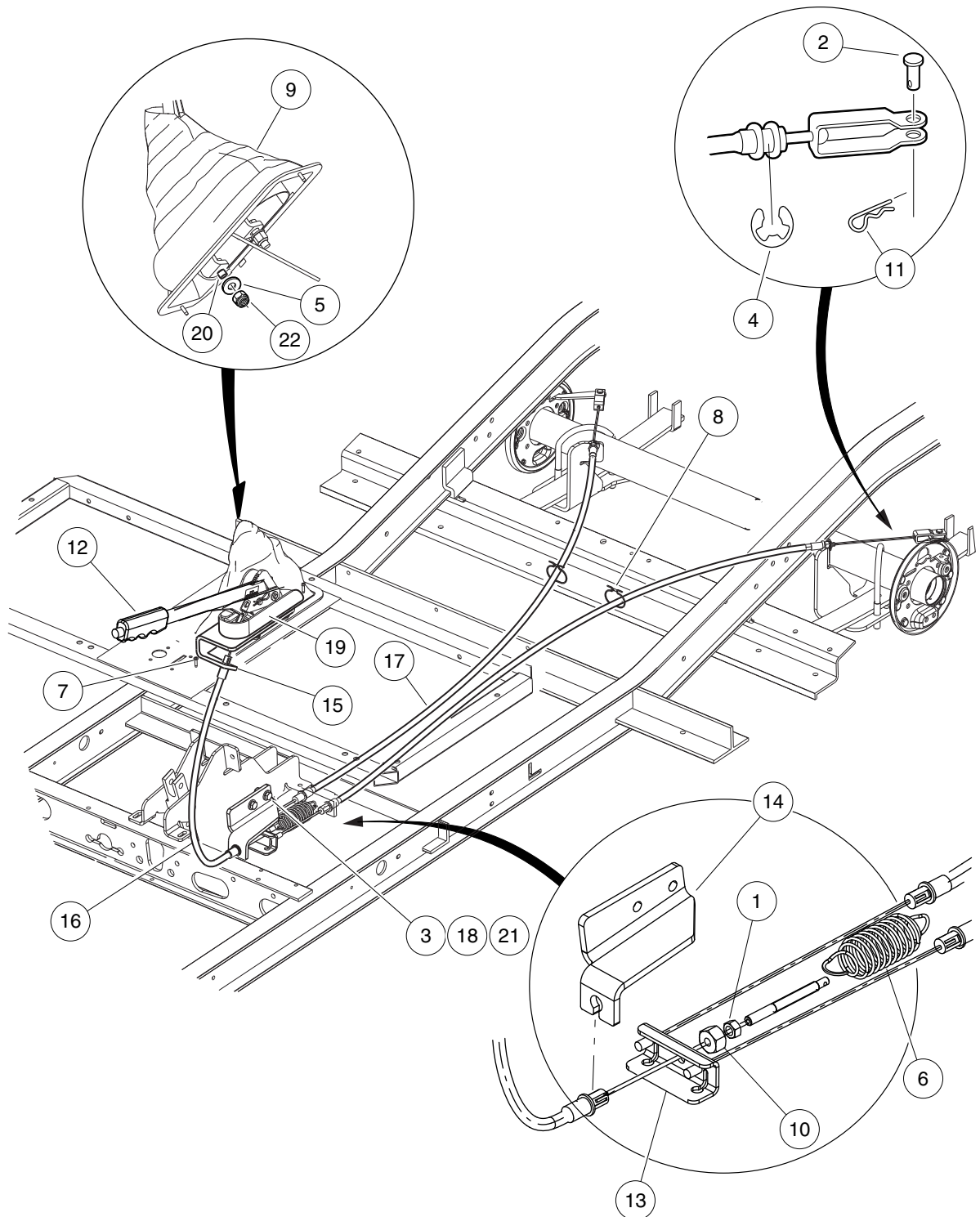
ITEM	PART NO.	DESCRIPTION	QTY
		1 2 3 4	
1	<u>1010577</u>	Bolt, Hex-Head, 5/16-18 X 1.50	2
2	<u>101082903</u>	Pin, Clevis, 5/16 X 1	1
3	<u>1012285</u>	Screw, 1/4 X 0.625 Hex-Head	5
4	<u>102292801</u>	Pin, Bow Tie Locking - .072	2
5	<u>102323101</u>	Pin, Bow Tie Locking	1
6	<u>102323201</u>	Pin, 3/8 X 1-5/16 Clevis	1
7	<u>102519001</u>	Pin, 1/2 X 2-1/2 Clevis	1
8	<u>102976701</u>	Clevis, Bellcrank, Autobrake	1
9	<u>103376101</u>	Cylinder, Master, Integral Res	1
10	103635801	Brkt, Service Brake, 4pass	1
11	103665002	Asm, Pivot Lever, Lsv	1
12	<u>103865001</u>	Asm, Brake-line, Frt, Flre End	1
13	<u>103971601</u>	Asm, Brake Line, Rr, Ca6	1
14	<u>1241</u>	Washer, 5/16 Type A Flat	4
15	<u>334</u>	Washer, 3/8, Type A, Flat	1
16	<u>7473</u>	Locknut, 5/16-18 Nylon Insert	2

5

E

5

E



001411-001

HAND BRAKE ASSEMBLY – CA710

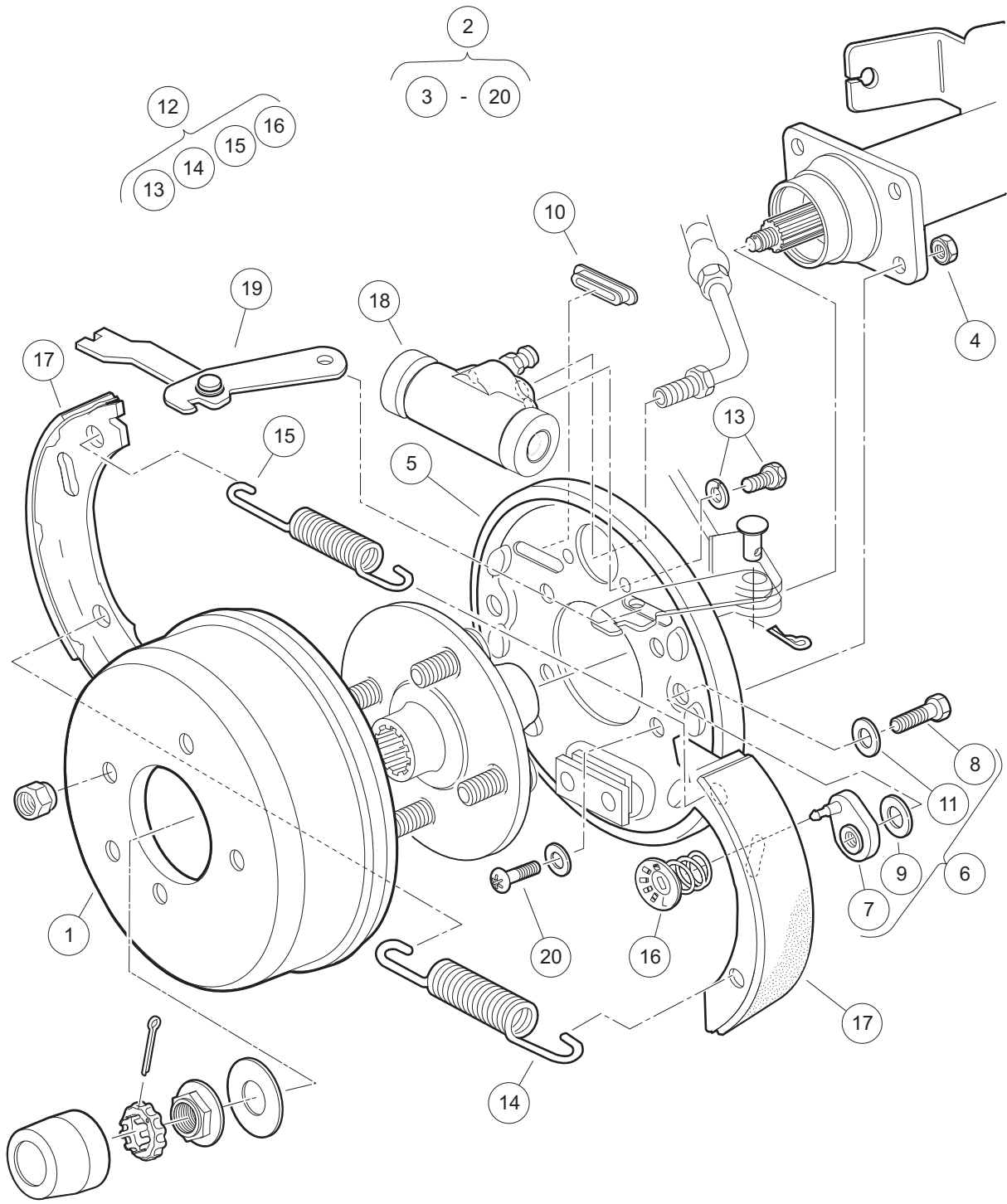
ITEM	PART NO.	DESCRIPTION	QTY
		1 2 3 4	
1	<u>1010521</u>	Nut, 5/16-24 Hex	1
2	<u>1010829</u>	Pin, Clevis, 5/16 X 3/4	2
3	<u>1010934</u>	Screw, 5/16-18 X 1.00 Hex Cap	1
4	<u>1011779</u>	E-Clip, 1/2	2
5	<u>1011990</u>	Washer, 3/8 Flat	2
6	<u>1013531</u>	Spring, Brake Return	1
7	<u>101832001</u>	Screw, #7-19 X 0.625 Phillips Pan-Head Tap	2
8	<u>101900801</u>	Hanger, Brake Cable	2
9	<u>102033701</u>	Park Brake Boot	1
10	<u>102052801</u>	Nut, 5/16-24 Hex Cone	1
11	<u>102292801</u>	Pin, Bow Tie Locking - .072	2
12	<u>102444601</u>	Lever, Box	1
13	<u>103525801</u>	Equalizer, Park Brake, lc	1
14	<u>103625801</u>	Brkt, Park Brake, Lower	1
15	<u>103625901</u>	Brkt, Park Brake, Upper	1
16	<u>103626001</u>	Cable, Park Brake, Front	1
17	<u>103627101</u>	Cable, Park Brake, Rear, Ca6	2
18	<u>1241</u>	Washer, 5/16 Type A Flat	2
19	<u>705</u>	Screw, Cap-hex Hd 3/8-16x1.25	2
20	<u>7473</u>	Locknut, 5/16-18 Nylon Insert	1
21	<u>8754</u>	Locknut, 3/8-16 Hex	2

5

E

5

E



000107-003

HYDRAULIC REAR BRAKE ASSEMBLY

ITEM	PART NO.	DESCRIPTION	QTY
		1 2 3 4	
1	<u>101791101</u>	Drum without Center Hole, Brake	2
2	<u>102033401</u>	Assembly, Brake Cluster LH (includes items 3 through 20)	1
3	<u>1011137</u>	Drum, Brake	1
4	<u>1013924</u>	Nut, 5/16-24, Hex Head Cone	4
5	<u>102049401</u>	Backing Plate Asm	1
6	<u>102049601</u>	Kit, Axle Adjuster (includes items 7 through 11)	1
7	<u>102049501</u>	Adjuster	4
8	<u>102049901</u>	Bolt, 1/4-28 UNF X .31	4
9	<u>102050001</u>	Washer	4
10	<u>102050101</u>	Dust Cover	4
11	N/A	Washer, 1/4 Flat	4
12	<u>102049701</u>	Kit, Axle Hardware (includes items 13 through 16)	1
13	<u>102050401</u>	Bolt, Wheel Cylinder	2
14	<u>102050501</u>	Spring, Shoe To Shoe, Lower	1
15	<u>102050601</u>	Spring, Shoe To Shoe, Upper	1
16	<u>102050701</u>	Shoe Hold Down	2
17	<u>102050201</u>	Shoe Kit, Axle Set	1
18	<u>102050801</u>	Wheel Cylinder Assembly 0.875 Dia	1
19	<u>102050902</u>	Park Brake Assembly, Left-Hand	1
20	<u>103229601</u>	Bolt, Brake Cluster Mnt, Hyd	4
21	<u>102033501</u>	Assembly, Brake Cluster RH (includes items 22 through 39)	1
22	<u>1011137</u>	Drum, Brake	1
23	<u>1013924</u>	Nut, 5/16-24, Hex Head Cone	4
24	<u>102049401</u>	Backing Plate Asm	1
25	<u>102049601</u>	Kit, Axle Adjuster (includes items 26 through 30)	1
26	<u>102049501</u>	Adjuster	4
27	<u>102049901</u>	Bolt, 1/4-28 UNF X .31	4
28	<u>102050001</u>	Washer	4
29	<u>102050101</u>	Dust Cover	4
30	N/A	Washer, 1/4 Flat	4
31	<u>102049701</u>	Kit, Axle Hardware (includes items 32 through 35)	1
32	<u>102050401</u>	Bolt, Wheel Cylinder	2
33	<u>102050501</u>	Spring, Shoe To Shoe, Lower	1
34	<u>102050601</u>	Spring, Shoe To Shoe, Upper	1
35	<u>102050701</u>	Shoe Hold Down	2
36	<u>102050201</u>	Shoe Kit, Axle Set	1
37	<u>102050801</u>	Wheel Cylinder Assembly 0.875 Dia	1
38	<u>102050901</u>	Park Brake Assembly, Right-Hand	1
39	<u>103229601</u>	Bolt, Brake Cluster Mnt, Hyd	4
		Note: Passenger-side brake cluster components (items 18-33) not shown. Components have a similar appearance to the driver-side brake cluster components.	

5

E

5

E

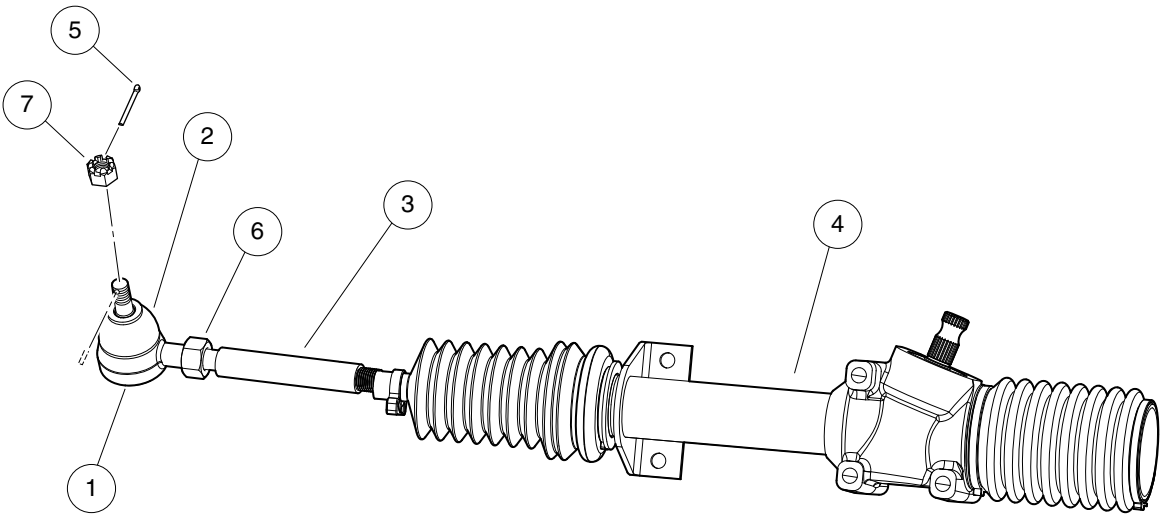
STEERING, FRONT AND REAR SUSPENSION

6

E

6

E



001527-001

STEERING GEAR ASSEMBLY

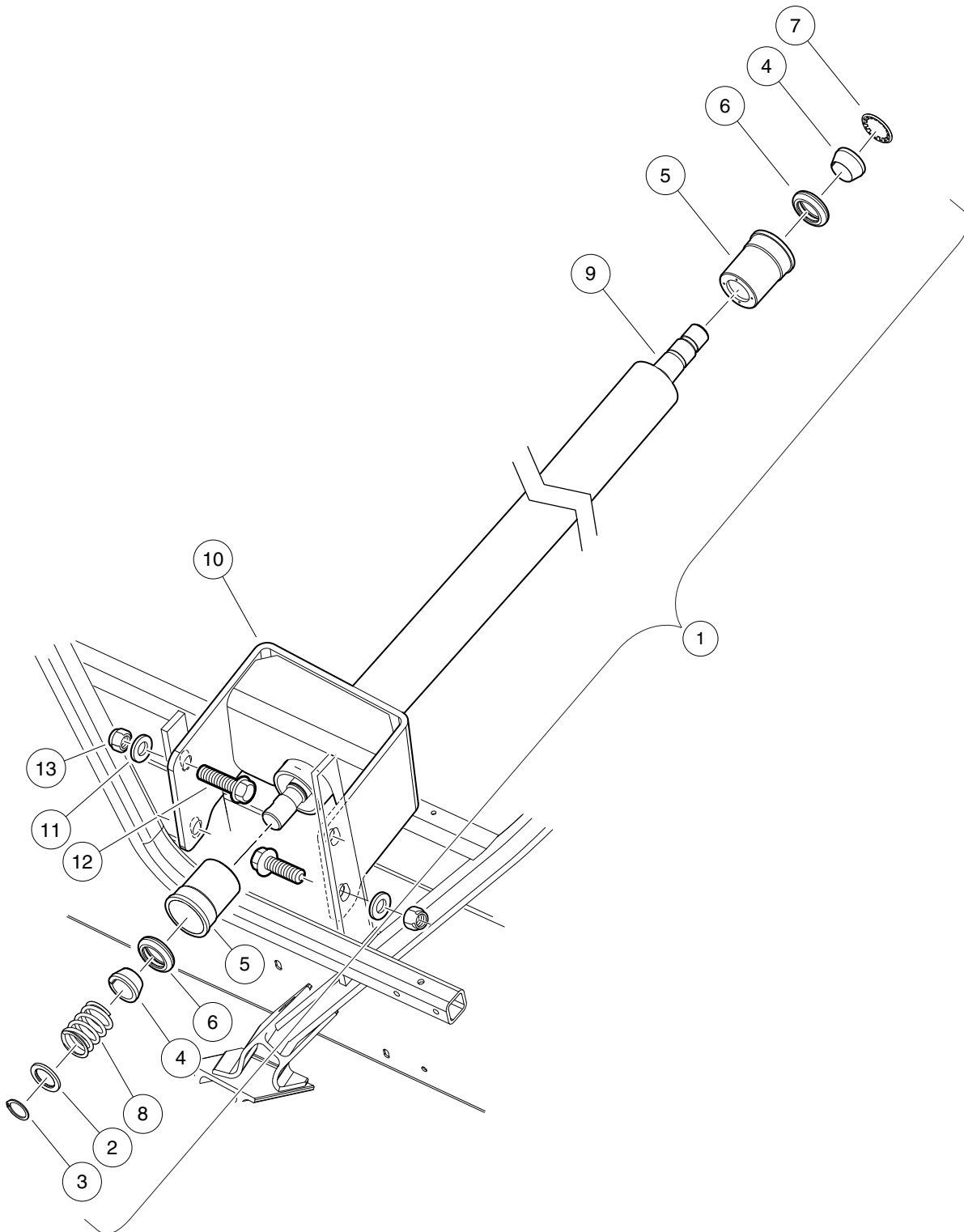
ITEM	PART NO.	DESCRIPTION	QTY
		1 2 3 4	
1	1011895	Socket, LH Vertical	1
2	<u>1011930</u>	Seal, Vertical Socket Dust	1
3	<u>1012467</u>	Link, Rack and Pinion Drag	1
4	<u>103233101</u>	Rack, Steering, Modular	1
5	<u>1035</u>	Cotter Pin, 3/32 x 1	1
6	<u>7555</u>	Nut, 1/2-20 Hex, Left-Hand Thread	1
7	7602	Nut, 3/8-24 UNF Hex	1

6

E

6

E



001531-001

STEERING COLUMN

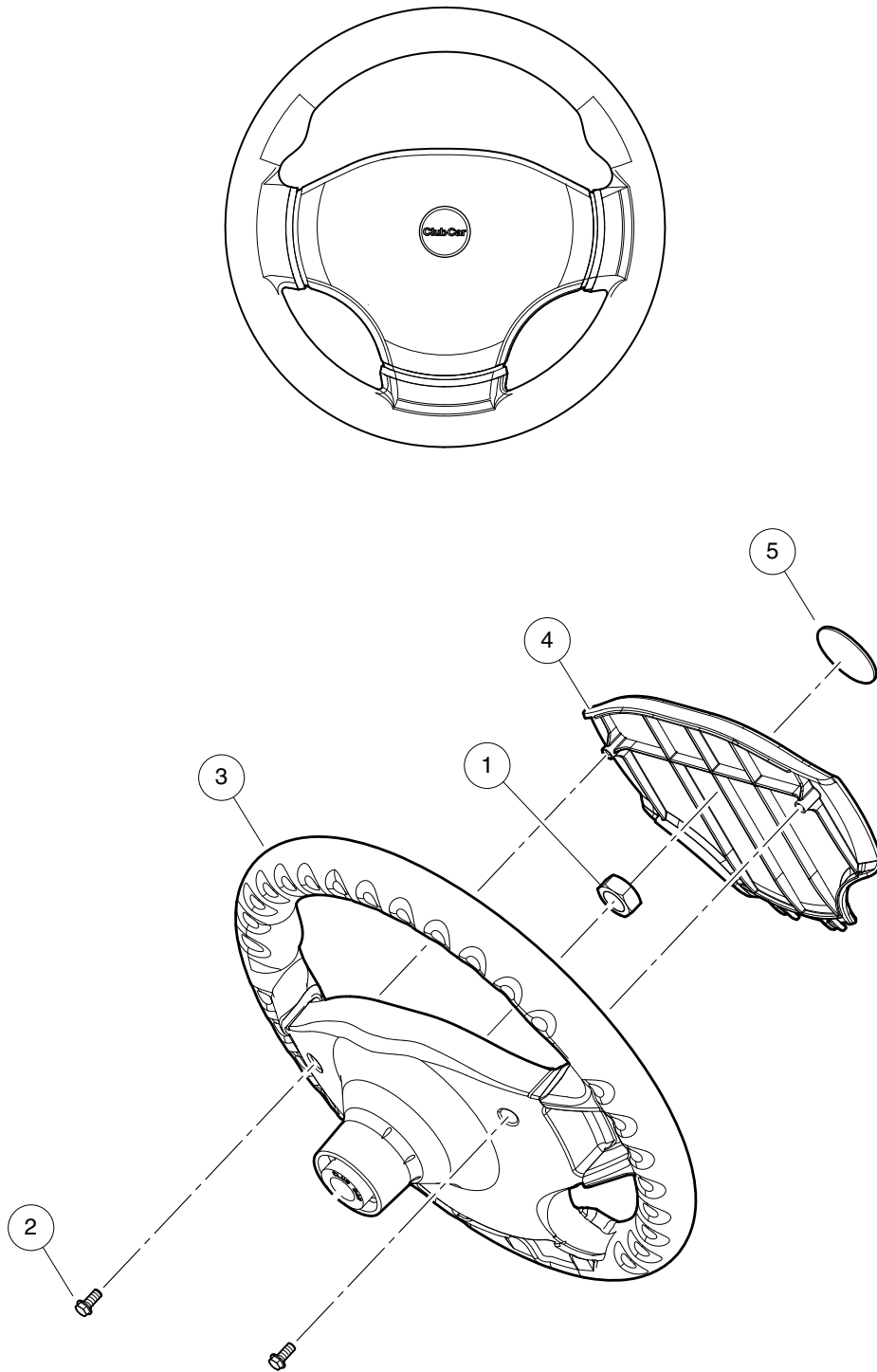
ITEM	PART NO.	DESCRIPTION	QTY
		1 2 3 4	
1	<u>103232101</u>	Assy, Steering Column, Short (includes items 2 through 10)	1
2	<u>1012604</u>	Washer, 0.675 ID X 1.19 OD	1
3	<u>1012605</u>	Ring, 0.579 Internal Retaining	1
4	1014125	Wedge, Molded	2
5	<u>1014126</u>	Seat, Plastic Bearing	2
6	<u>1014213</u>	Bearing, Ball	2
7	1014214	Ring, Retaining	1
8	<u>1014217</u>	Spring, Steering Shaft	1
9	N/A	Shaft, Steering, 667.8 Oal	1
10	N/A	Weldment, †column, †lsv	1
11	<u>334</u>	Washer, 3/8, Type A, Flat	4
12	705	Screw, Cap-hex Hd 3/8-16x1.25	4
13	<u>8754</u>	Locknut, 3/8-16 Hex	4

6

E

6

E



001503-001

STEERING WHEEL

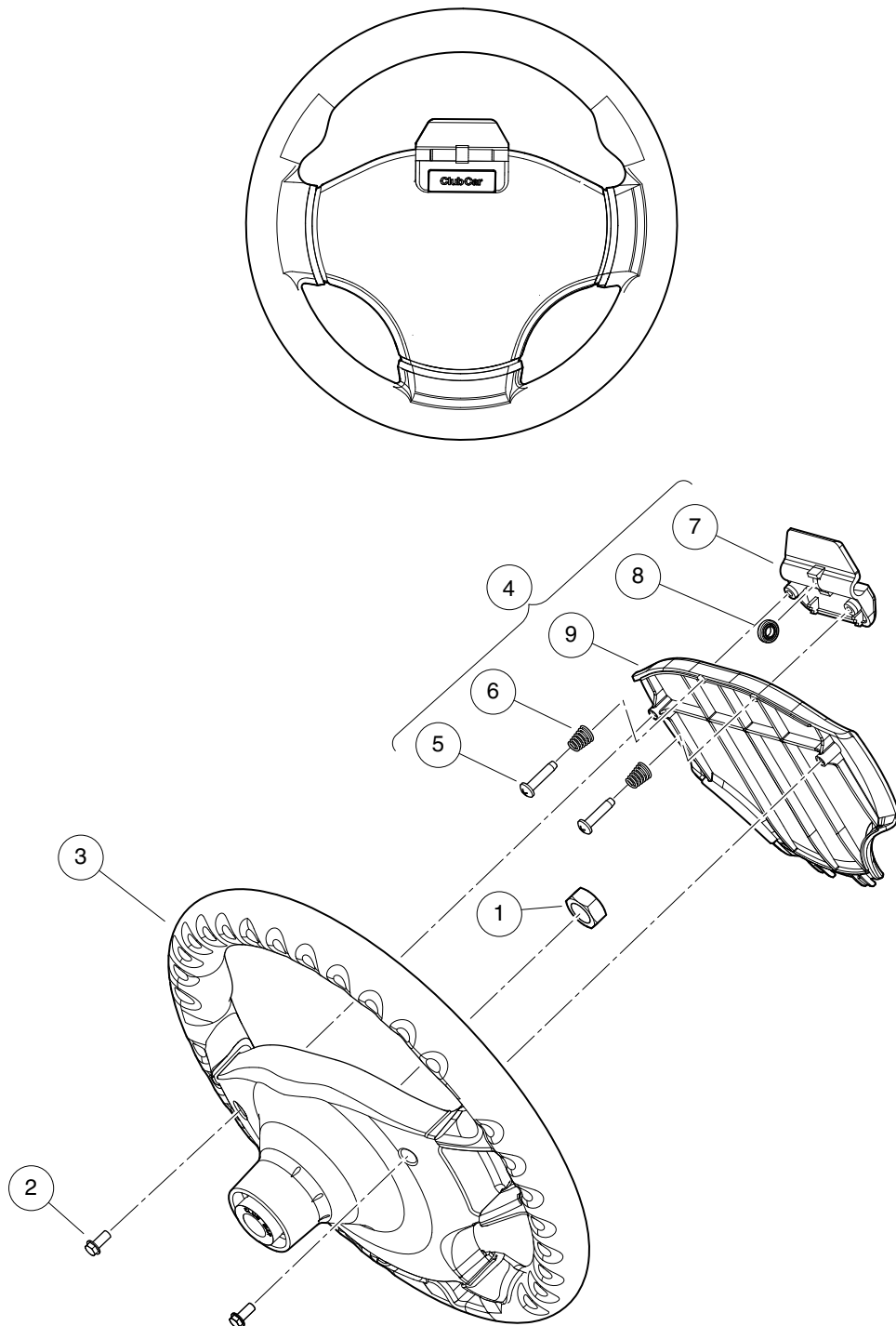
ITEM	PART NO.	DESCRIPTION	QTY
		1 2 3 4	
1	<u>1017273</u>	Nut, 5/8-18 Nylon Insert Jam	1
2	<u>101850301</u>	Screw, #12-16 X 0.50 Washer-Head Hi-Lo	2
3	<u>103724504</u>	Steering Wheel, Soft Spl	1
4	<u>103724602</u>	Cover, Steering Wheel, Generic	1
5	<u>103829401</u>	Logo, Cci, Steer Wheel	1

6

E

6

E



001504-001

STEERING WHEEL WITH CLIP

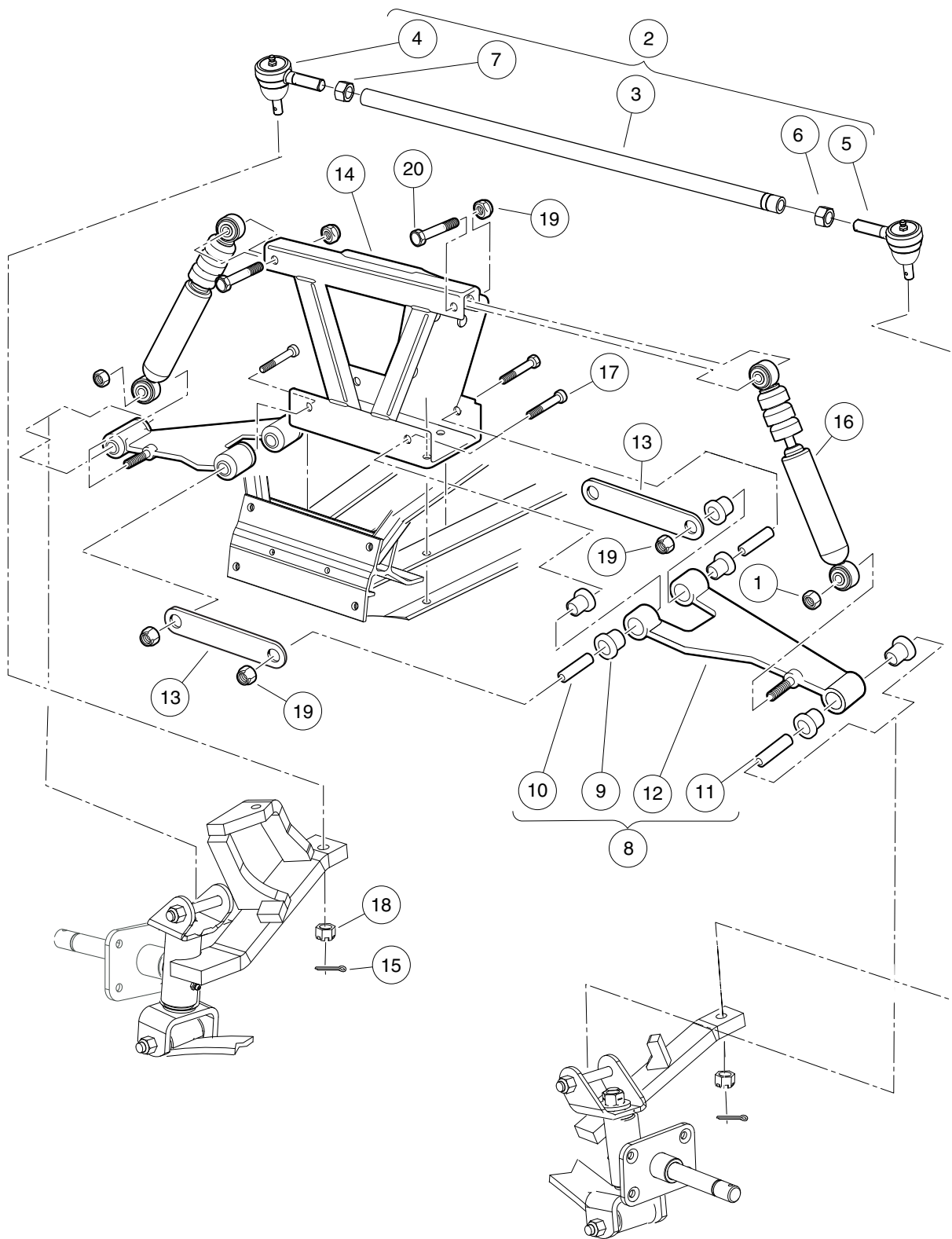
ITEM	PART NO.	DESCRIPTION	QTY
		1 2 3 4	
1	<u>1017273</u>	Nut, 5/8-18 Nylon Insert Jam	1
2	<u>101850301</u>	Screw, #12-16 X 0.50 Washer-Head Hi-Lo	2
3	<u>103724504</u>	Steering Wheel, Soft Spl	1
4	<u>103724901</u>	Asm, Scorecard, Clip (includes items 5 through 9)	1
5	<u>1012565</u>	Screw, #12 Phillips Round Head	2
6	<u>1012566</u>	Tapered Compression Spring	2
7	1016154	Clip, Scorecard	1
8	<u>1016214</u>	Pencil Grip	1
9	103724601	Cover, Steering Wheel, Clip	1

6

E

6

E



001518-002

FRONT SUSPENSION, UPPER, HYD

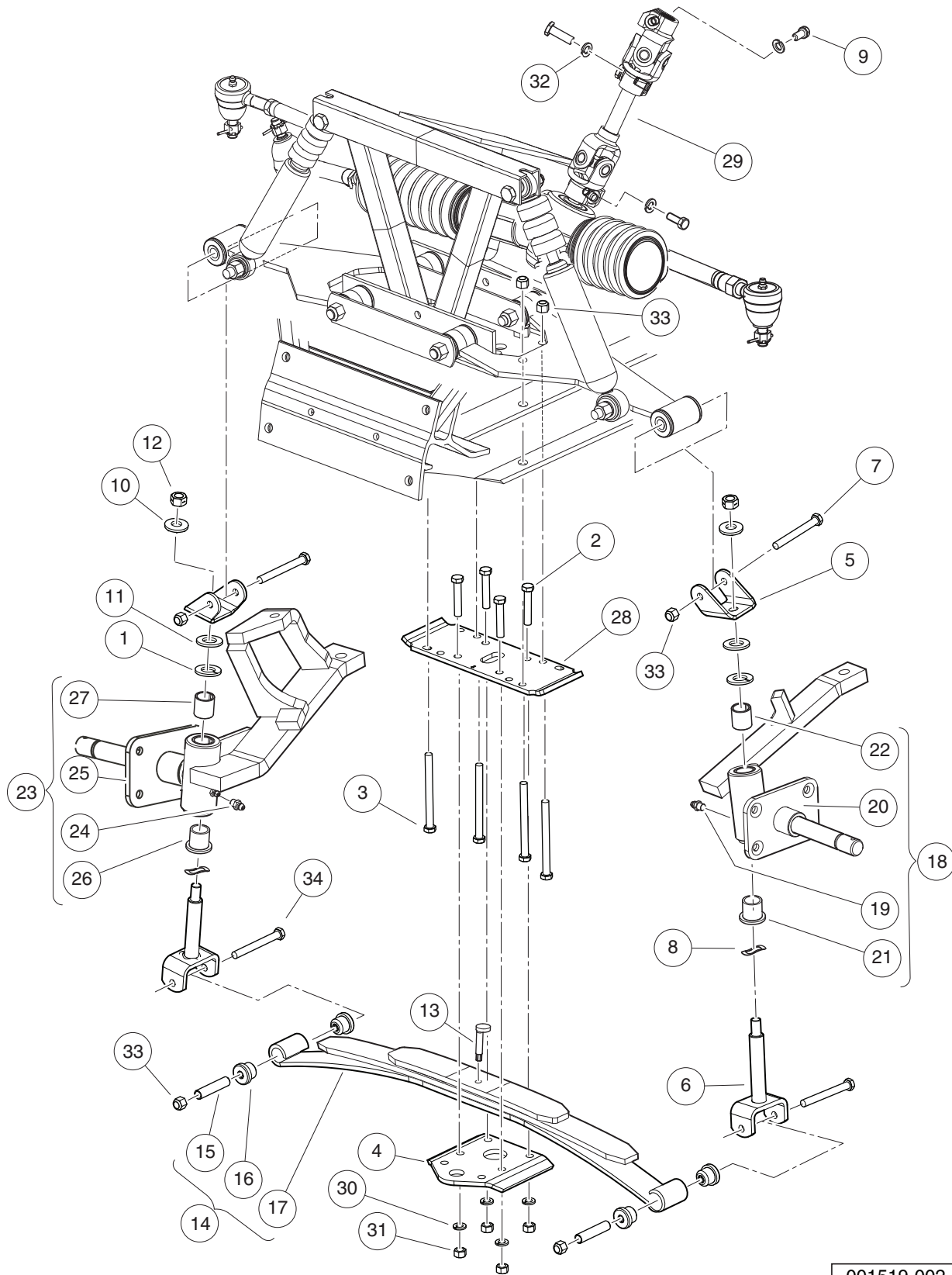
ITEM	PART NO.	DESCRIPTION	QTY
		1 2 3 4	
1	<u>1010138</u>	Locknut, 3/8-16 Dimpled	2
2	<u>101022102</u>	Tie Rod Asm, 24.265 Lg (includes items 3 through 7)	1
3	<u>101021902</u>	Tie Rod, 20.643 Inches Long	1
4	<u>1011893</u>	Socket, RH Vertical	1
5	<u>1011895</u>	Socket, LH Vertical	1
6	<u>1308</u>	Nut, 1/2-20 Hex	1
7	<u>7555</u>	Nut, 1/2-20 Hex, Left-Hand Thread	1
8	<u>1016353</u>	Sub-Assembly, Delta A-Plate (includes items 9 through 12)	2
9	<u>1016346</u>	Bushing, Urethane	6
10	<u>1016349</u>	Sleeve, Delta Inner	2
11	<u>1016350</u>	Sleeve, Delta Outer	1
12	<u>1016351</u>	Delta A-Plate	1
13	<u>1017266</u>	A-Plate Strap	2
14	<u>103264802</u>	Weldmnt, Shock & Rack Mnt, Lsv	1
15	<u>1035</u>	Cotter Pin, 3/32 x 1	2
16	<u>105106702</u>	Shock Absorb, Frnt, 3 Bump Ele	2
17	<u>2402</u>	Screw, 3/8-16 X 2.25 Hx Hd Cap	4
18	<u>7602</u>	Nut, 3/8-24 UNF Hex	2
19	<u>8754</u>	Locknut, 3/8-16 Hex	6
20	<u>8861</u>	Bolt, 3/8-16 X 1.75 Hex	2

6

E

6

E



001519-002

FRONT SUSPENSION, LOWER, HYD, DRUMS 3 LEAF, 1 PLATE

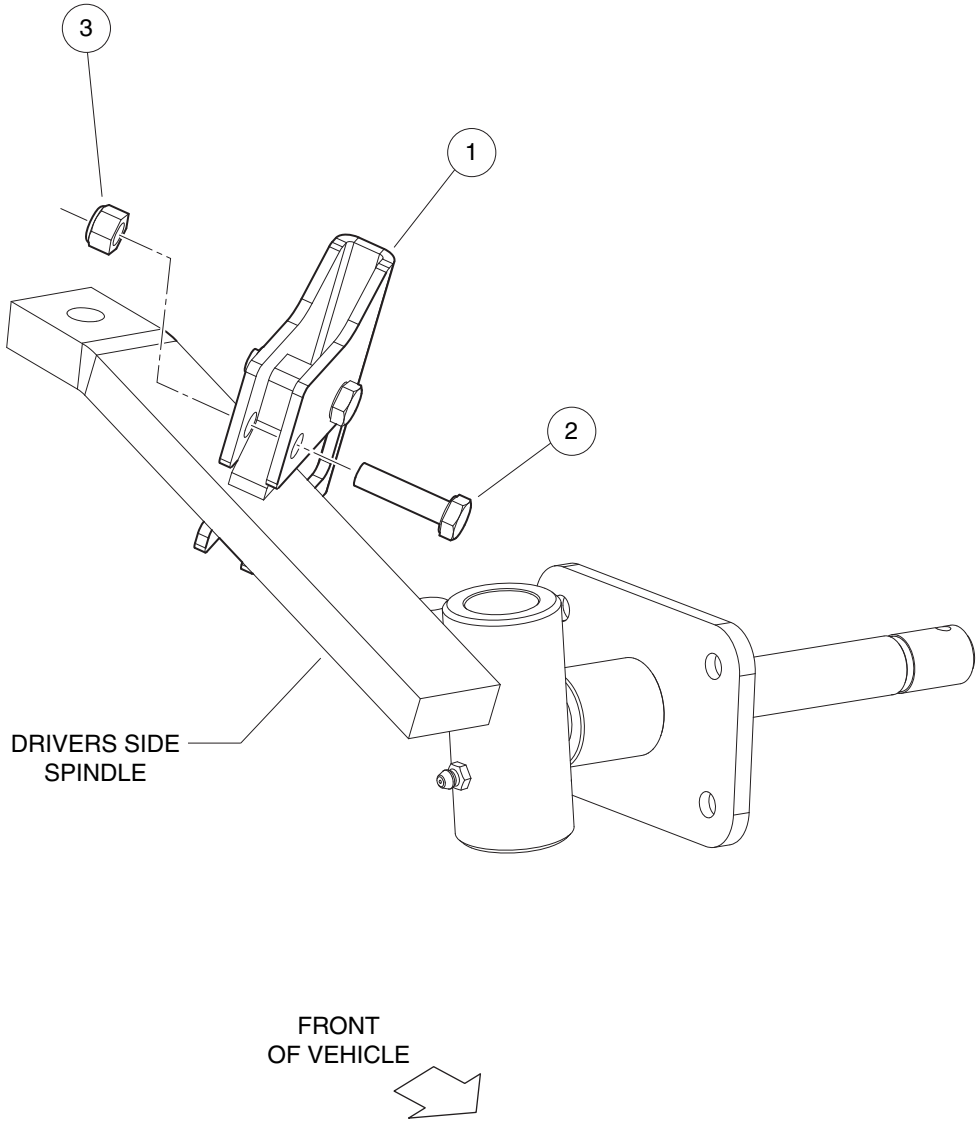
ITEM	PART NO.	DESCRIPTION	QTY
		1 2 3 4	
1	<u>1010150</u>	Bearing, Thrust	2
2	<u>1010177</u>	Bolt, 3/8-16 X 2.00 Hex Head	4
3	<u>1010200</u>	Bolt, 3/8-16 X 4.25 Hex Head	4
4	<u>1014276</u>	Plate, Front Spring Retainer	1
5	<u>1016384</u>	Clevis, Delta Upper	2
6	<u>1016386</u>	King Pin Assembly	2
7	<u>1016387</u>	Screw, 3/8-16 X 2.75 Hx Hd Cap	2
8	<u>1016389</u>	Washer, 1.125 Od Wave	2
9	<u>1017226</u>	Bolt, Hex-Head, 8mm X 1.25 - 30	3
10	<u>102564002</u>	Washer-1/2 Conical, Yellow	2
11	<u>102684501</u>	Washer, M12 Hard Regular	2
12	<u>102766301</u>	Nut, 1/2-20, Center Lock	2
13	<u>103507001</u>	Eccentric Bolt Common	1
14	<u>103628901</u>	Spring Asm, Front, 3 Leaf (includes items 15 through 17)	1
15	<u>1012303</u>	Bushing, Steel	2
16	<u>1015583</u>	Bushing, Urethane	4
17	103502801	Spring, Front, 3 Leaf	1
18	<u>103824101</u>	Asm, Spindle, Drum, Lh (includes items 19 through 22)	1
19	<u>1015597</u>	Fitting, 1/4-28 Thread-Forming Grease	1
20	N/A	Spindle, Drum, Lh	1
21	<u>7048</u>	Bushing, Flanged Bronze	1
22	<u>8067</u>	Bushing, Bronze Spindle	1
23	<u>103824201</u>	Asm, Spindle, Drum, Rh (includes items 24 through 27)	1
24	<u>1015597</u>	Fitting, 1/4-28 Thread-Forming Grease	1
25	N/A	Spindle, Drum, Rh	1
26	<u>7048</u>	Bushing, Flanged Bronze	1
27	<u>8067</u>	Bushing, Bronze Spindle	1
28	<u>105083301</u>	Plate, Spring Mount, Restyle	1
29	<u>105329301</u>	Shaft, Int, Steering, Lsv Adj	1
30	<u>357</u>	Lockwasher, 3/8 Split	4
31	<u>706</u>	Nut, Hex 3/8-16	5
32	<u>7174</u>	Lockwasher, 5/16 Split	3
33	<u>8754</u>	Locknut, 3/8-16 Hex	8
34	<u>8755</u>	Screw, 3/8-16 X 3.375 Hex Cap	2

6

E

6

E



001530-001

STEERING STOP

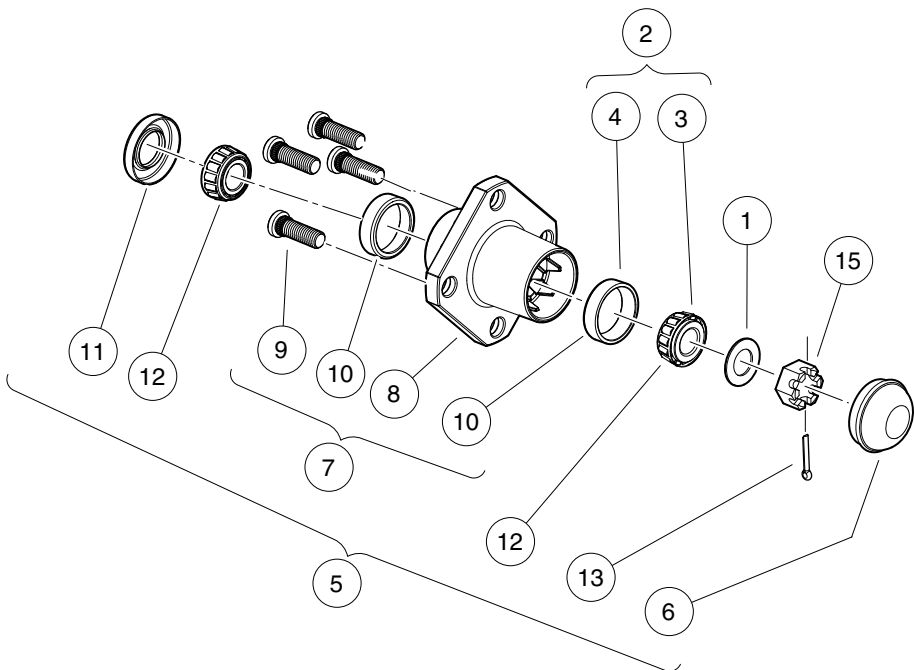
ITEM	PART NO.	DESCRIPTION	QTY
		1 2 3 4	
1	105243002	Brkt,Steering Stop, CA, LSV	1
2	1218	Screw, 5/16-18 X 1.25 Hex-Head Cap	2
3	<u>7473</u>	Locknut, 5/16-18 Nylon Insert	2
<p>Note: Steering Stop 105243003 is required if vehicle is equipped with the 105100601, HD Bumper Kit.</p>			

6

E

6

E



001520-002

FRONT WHEEL HUBS

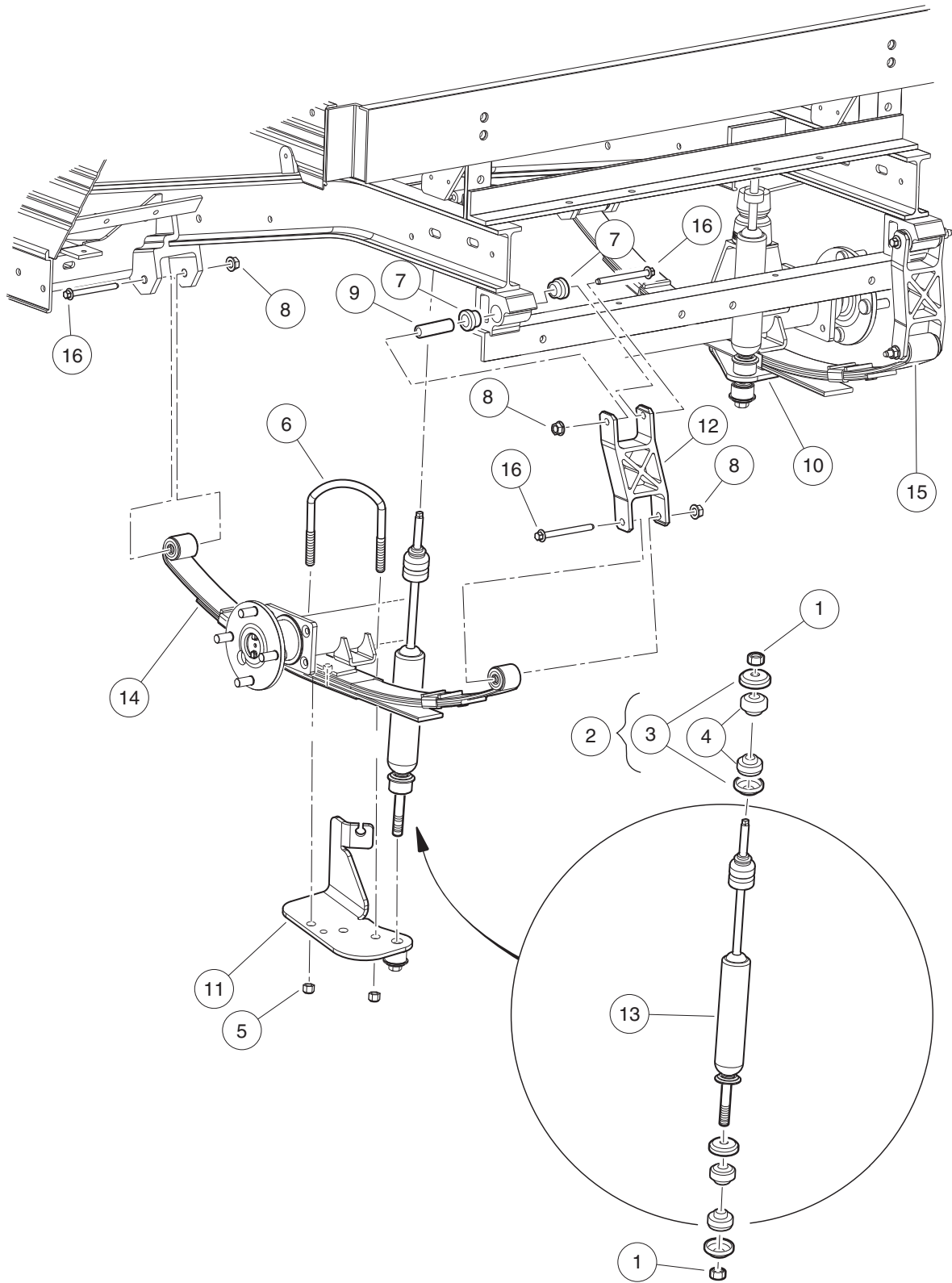
ITEM	PART NO.	DESCRIPTION	QTY
		1 2 3 4	
1	<u>1010005</u>	Washer, 3/4 Flat	2
2	<u>1011393</u>	Hub Bearing Package (includes items 3 and 4)	4
3	7274	Bearing, Front Hub Wheel	1
4	7308	Race, Front Hub Bearing	1
5	<u>1011892</u>	Hub Assembly (includes items 6 through 13)	1
6	<u>1011887</u>	Dust Cover	1
7	N/A	Hub (includes items 8 through 10)	1
8	N/A	Front Hub	1
9	<u>103477901</u>	Lug Stud, 1/2-20 Unf, 4037	4
10	7308	Race, Front Hub Bearing	2
11	<u>1013135</u>	Seal, Double Lip	1
12	7274	Bearing, Front Hub Wheel	2
13	<u>7910</u>	Pin, 5/32 X 1.00 Cotter	1
14	<u>1013135</u>	Seal, Double Lip	2
15	<u>7840</u>	Nut, 3/4-16 Hex Slotted	2

6

E

6

E



001525-002

REAR SUSPENSION COMPONENTS

ITEM	PART NO.	DESCRIPTION	QTY
		1 2 3 4	
1	<u>1010145</u>	Nut, 3/8-24 Hex	4
2	<u>1011415</u>	Kit, Shock Absorber Cushion (includes items 3 and 4)	4
3	N/A	Retainer, Shock Absorber Cushion	2
4	<u>47579096001</u>	Isolator, Shock Damper	2
5	<u>1014555</u>	Locknut, 7/16-14 Nylon Hex	4
6	<u>1014902</u>	U-Bolt	2
7	<u>101558302</u>	Bushing, Urethane, Soft	4
8	<u>102298401</u>	Nut,m8,all Metal Lock	6
9	<u>102506401</u>	Sleeve - Spring Eye Mounts	2
10	<u>103524601</u>	Brkt, Shock Mount Rh, Ic	1
11	<u>103524701</u>	Brkt, Shock Mount Lh, Ic	1
12	<u>105068902</u>	Shackle, 6", Com, Machined	2
13	<u>105106801</u>	Shock Absorber,Rear, 2 Bumper	2
14	<u>105186201</u>	Asm, Spring 600lb Nr Std, Lh	1
15	<u>105186202</u>	Asm, Spring 600lb Nr Std, Rh	1
16	<u>105188185</u>	Bolt, M8x85mm,10.9 Grade	6

6

E

6

E

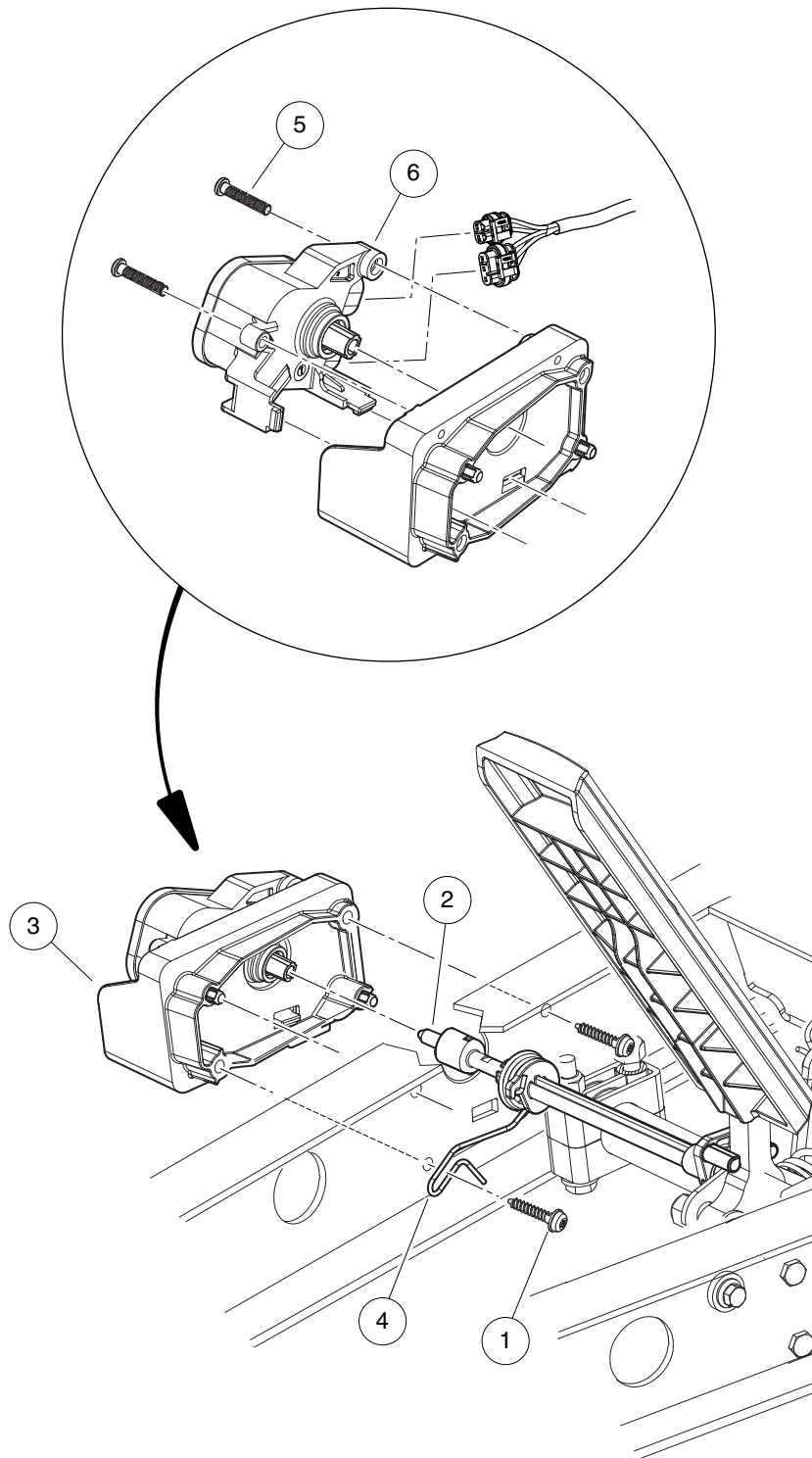
ELECTRICAL SYSTEM – ELECTRIC VEHICLES

7

E

7

E



002522-001

MOTOR CONTROLLER OUTPUT REGULATOR (MCOR)

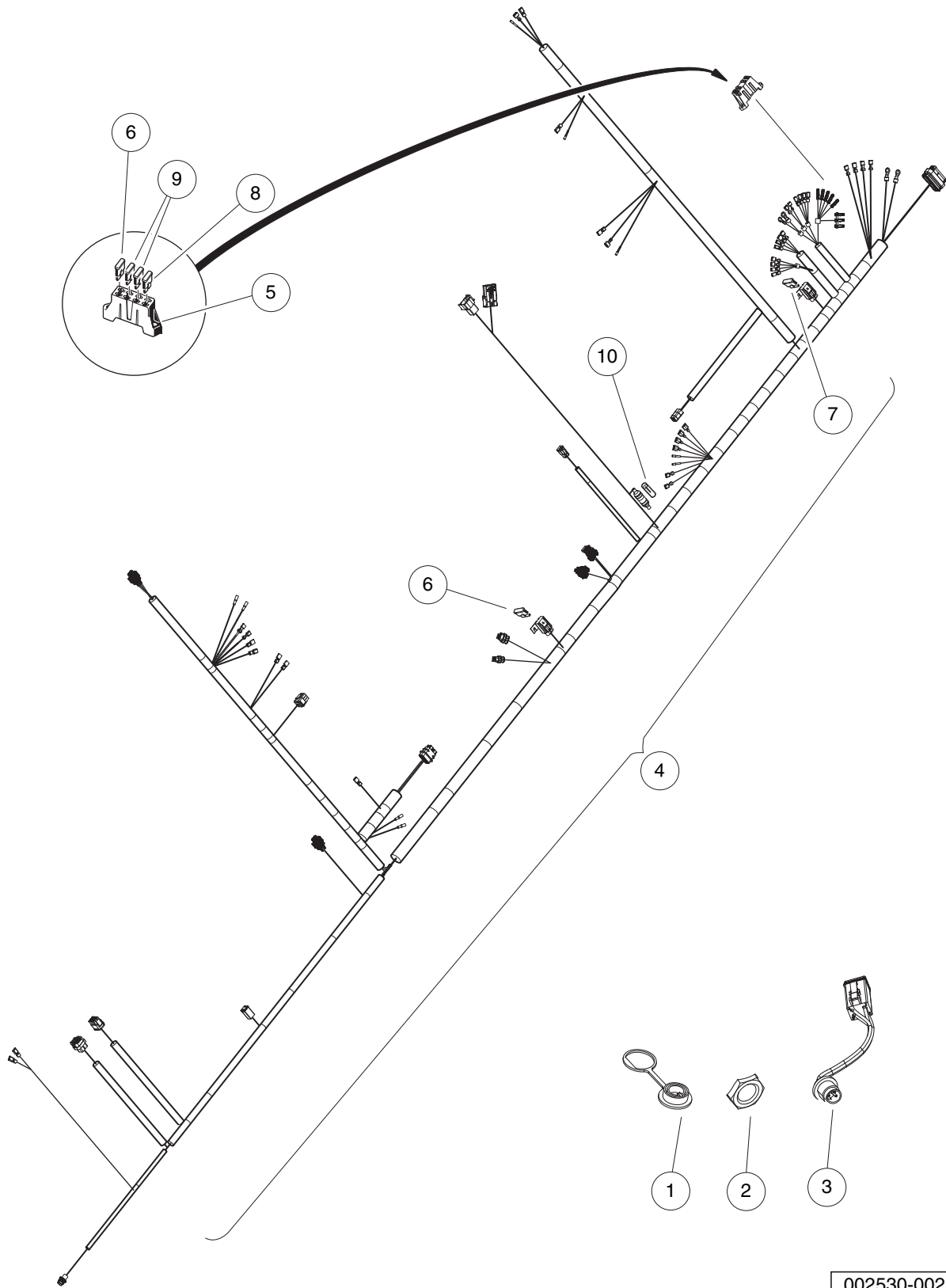
ITEM	PART NO.	DESCRIPTION	QTY
		1 2 3 4	
1	<u>102297230</u>	Screw, M6, Torx, Interlock Thread	2
2	<u>103902101</u>	Bar, Drive, Cast	1
3	<u>103902301</u>	Housing, Mcor	1
4	<u>103902401</u>	Spring, Torsion	1
5	<u>103943401</u>	Screw, Pan, #10 X 1.00 Hi-lo	2
6	<u>105116301</u>	MCOR4, Type 16 Switch	1

7

E

7

E



002530-002

MAIN WIRING HARNESS, 48-VOLT FUSE BLOCK - CA510

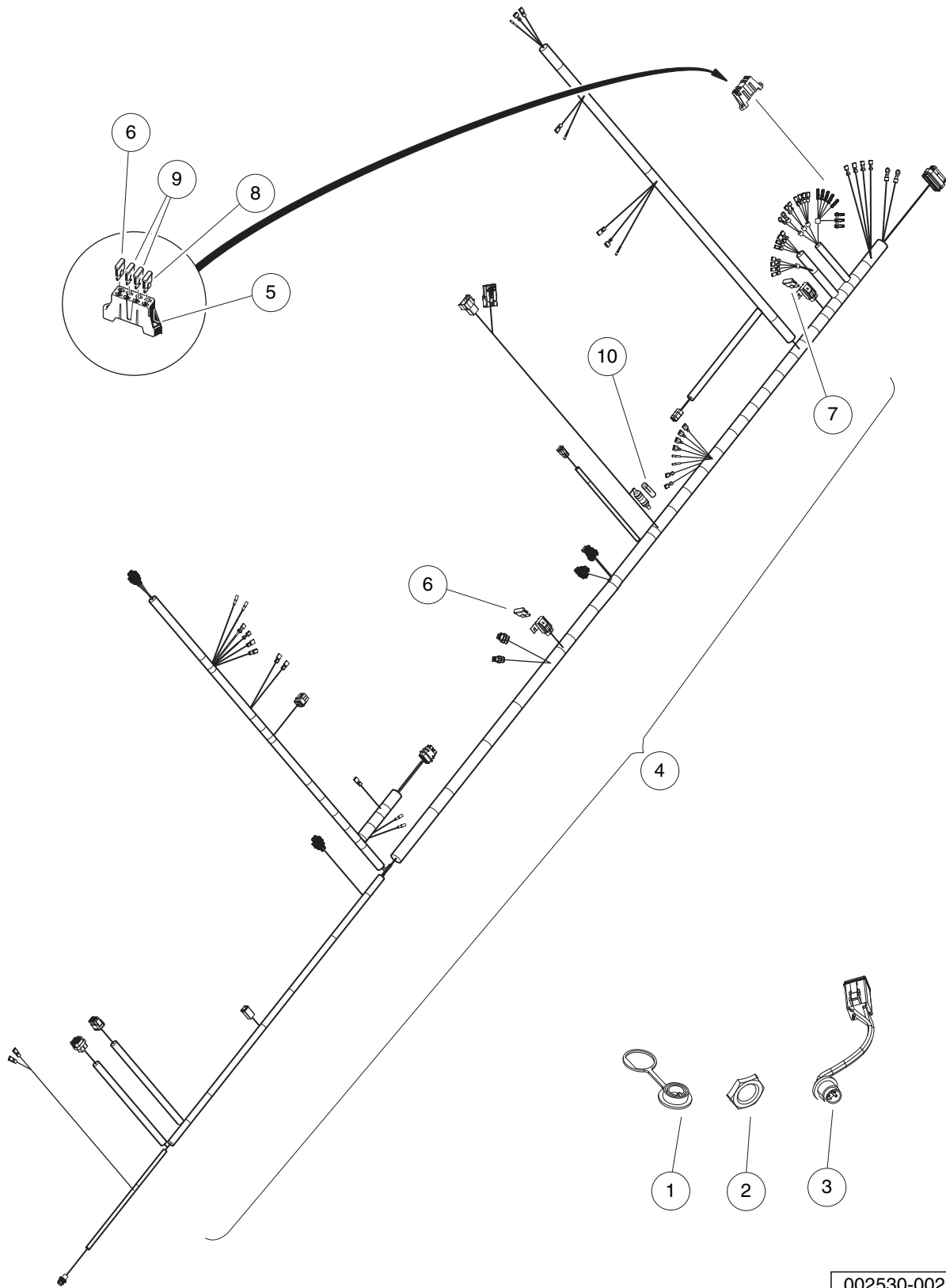
ITEM	PART NO.	DESCRIPTION	QTY
		1 2 3 4	
1	<u>102196901</u>	Dust Cap	1
2	<u>102572401</u>	Nut, Diagnostic Port	1
3	<u>103218601</u>	Harness, Diagnostic Port	1
4	<u>105107201</u>	Asm, Harness, Ca510lsv, Dom (includes items 5 through 10)	1
5	<u>1015741</u>	Fuse Block	1
6	<u>1016423</u>	Fuse, 20-Amp	2
7	<u>102492301</u>	Fuse, 30-Amp	1
8	<u>102538601</u>	15 Amp Fuse	1
9	<u>105167201</u>	Fuse, Atc, 2 Amp	2
10	<u>105173901</u>	Fuse, Agc, 1 Amp	1

7

E

7

E



002530-002

MAIN WIRING HARNESS, 48-VOLT FUSE BLOCK - CA710

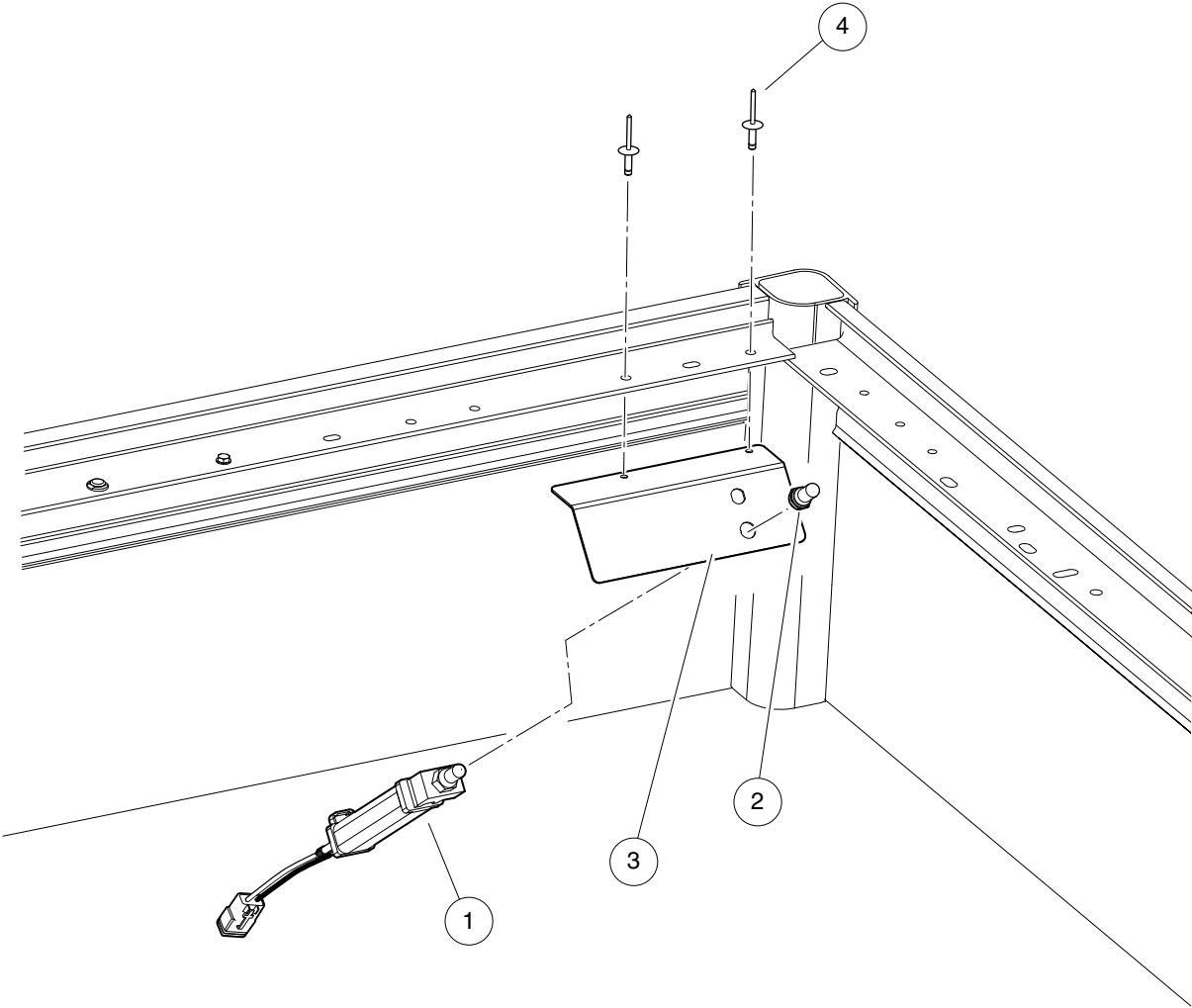
ITEM	PART NO.	DESCRIPTION	QTY
		1 2 3 4	
1	<u>102196901</u>	Dust Cap	1
2	<u>102572401</u>	Nut, Diagnostic Port	1
3	<u>103218601</u>	Harness, Diagnostic Port	1
4	<u>105107501</u>	Asm, Harness, Ca710lsv, Dom (includes items 5 through 10)	1
5	<u>1015741</u>	Fuse Block	1
6	<u>1016423</u>	Fuse, 20-Amp	2
7	<u>102492301</u>	Fuse, 30-Amp	1
8	<u>102538601</u>	15 Amp Fuse	1
9	<u>105167201</u>	Fuse, Atc, 2 Amp	2
10	<u>105173901</u>	Fuse, Agc, 1 Amp	1

7

E

7

E



002521-001

TOW/RUN SWITCH

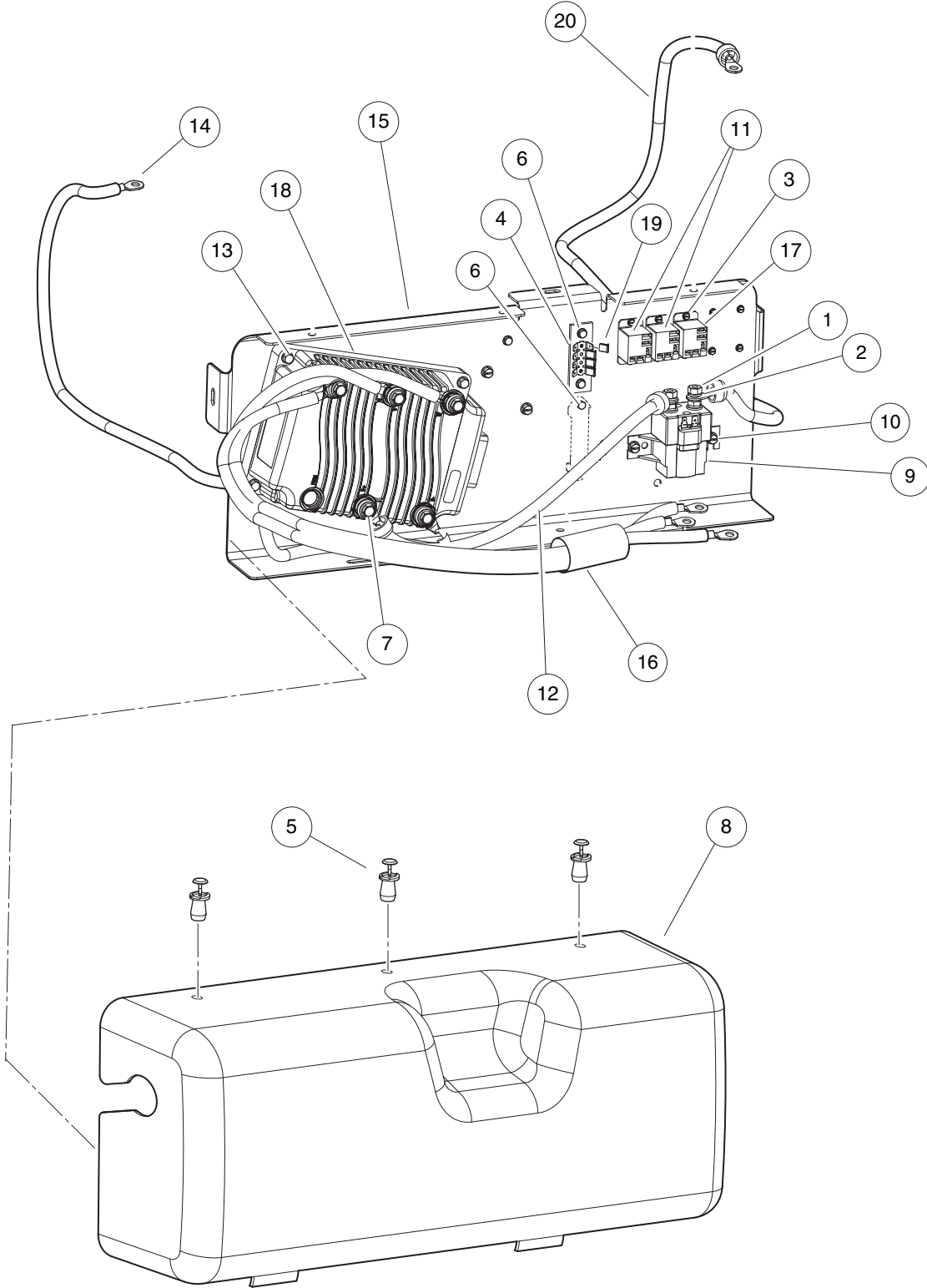
ITEM	PART NO.	DESCRIPTION	QTY
		1 2 3 4	
1	<u>101908101</u>	Switch Assembly, Tow/Run	1
2	<u>101908401</u>	Boot, Switch	1
3	<u>102915701</u>	Plate, Switch, Run Tow, Mode	1
4	<u>7973</u>	Rivet, 3/16 X .400 Blind	2

7

E

7

E



002529-002

ELECTRIC COMPONENTS – CA510

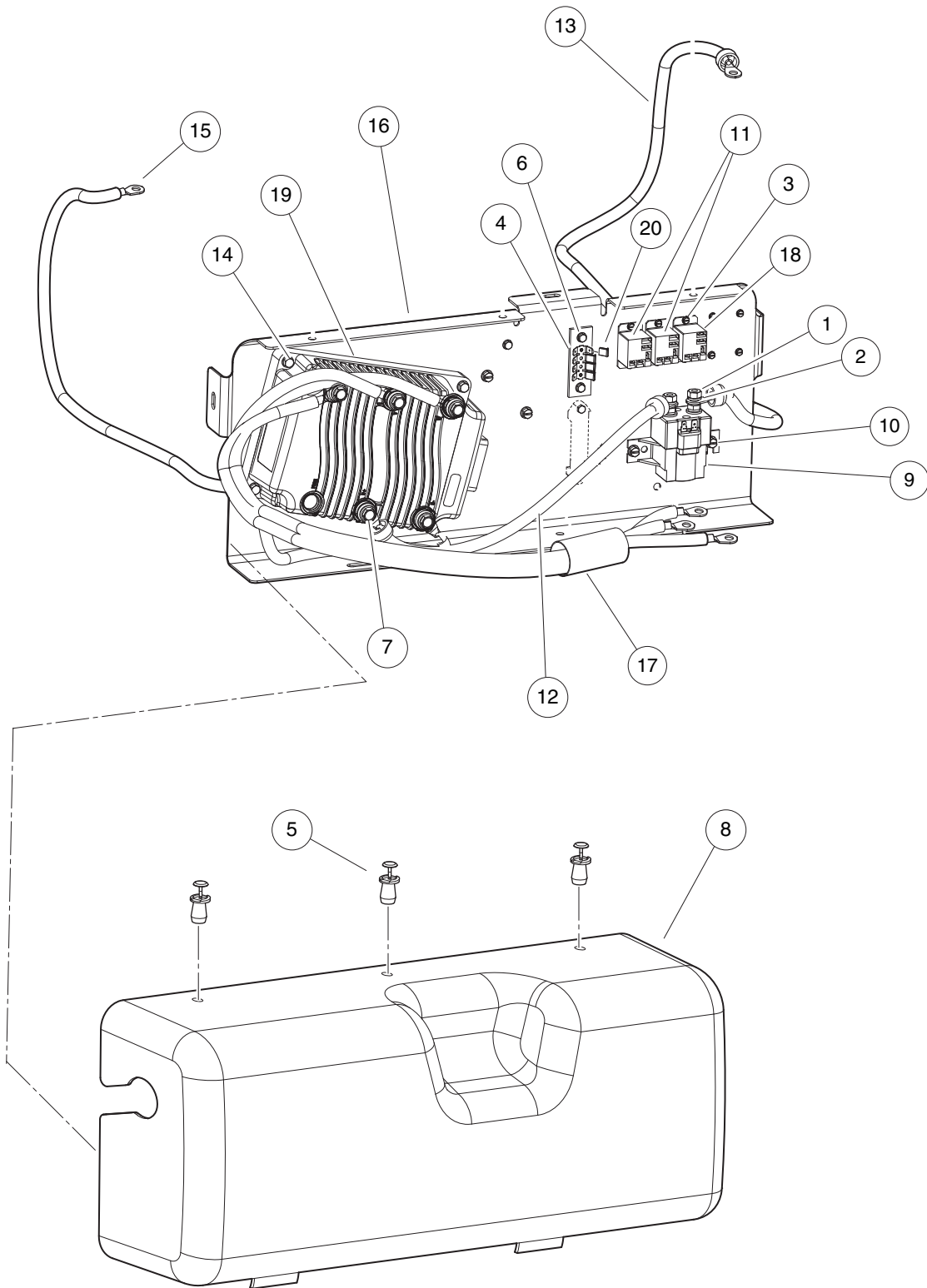
ITEM	PART NO.	DESCRIPTION	QTY
		1 2 3 4	
1	<u>1012528</u>	Nut, M8-1.25 Hex	2
2	<u>1013734</u>	Lockwasher, 8mm Split	2
3	<u>1015720</u>	Screw, #6-32 X 1/2 Hex Washer-Head	10
4	<u>1016356</u>	Terminal Block with Insulator	1
5	<u>1016967</u>	Blind Rivet, Push Type	3
6	<u>102238001</u>	#10-24 Taptite Screw	5
7	<u>102240501</u>	Bolt, Controller, Terminal	5
8	<u>102772403</u>	Cover, Component, Elec, Ac	1
9	<u>102774701</u>	Solenoid, 48v	1
10	<u>102817101</u>	Screw, 1/4-20 X .50 Hex Wsh Hd	4
11	<u>103397901</u>	Relay, Spst No, 48v 30a, Pmt	2
12	<u>103510201</u>	Asm, Wire #2 Yellow, 420	1
13	<u>103517901</u>	Scr, 1/4-20 X 1.25 Hwhcs, Tt	4
14	<u>103529004</u>	Wire, Asm, #2 Blk, 36 inch	1
15	<u>103823002</u>	Plate, Comp, Mtg, 5 Relay	1
16	<u>103964201</u>	Harness, Pwr, Ca2, Ac	1
17	<u>105112401</u>	Relay, Spdt Nc, 48v 30a, Pmt	1
18	<u>105168101</u>	Controller, Ac Motor, Ls, Ca	1
19	<u>105195501</u>	Cap, Quick Conn Tab, 1/4 In	4
20	<u>105247301</u>	Asm, Wire, #2 Red, 558mm	1

7

E

7

E



002536-001

ELECTRIC COMPONENTS – CA710

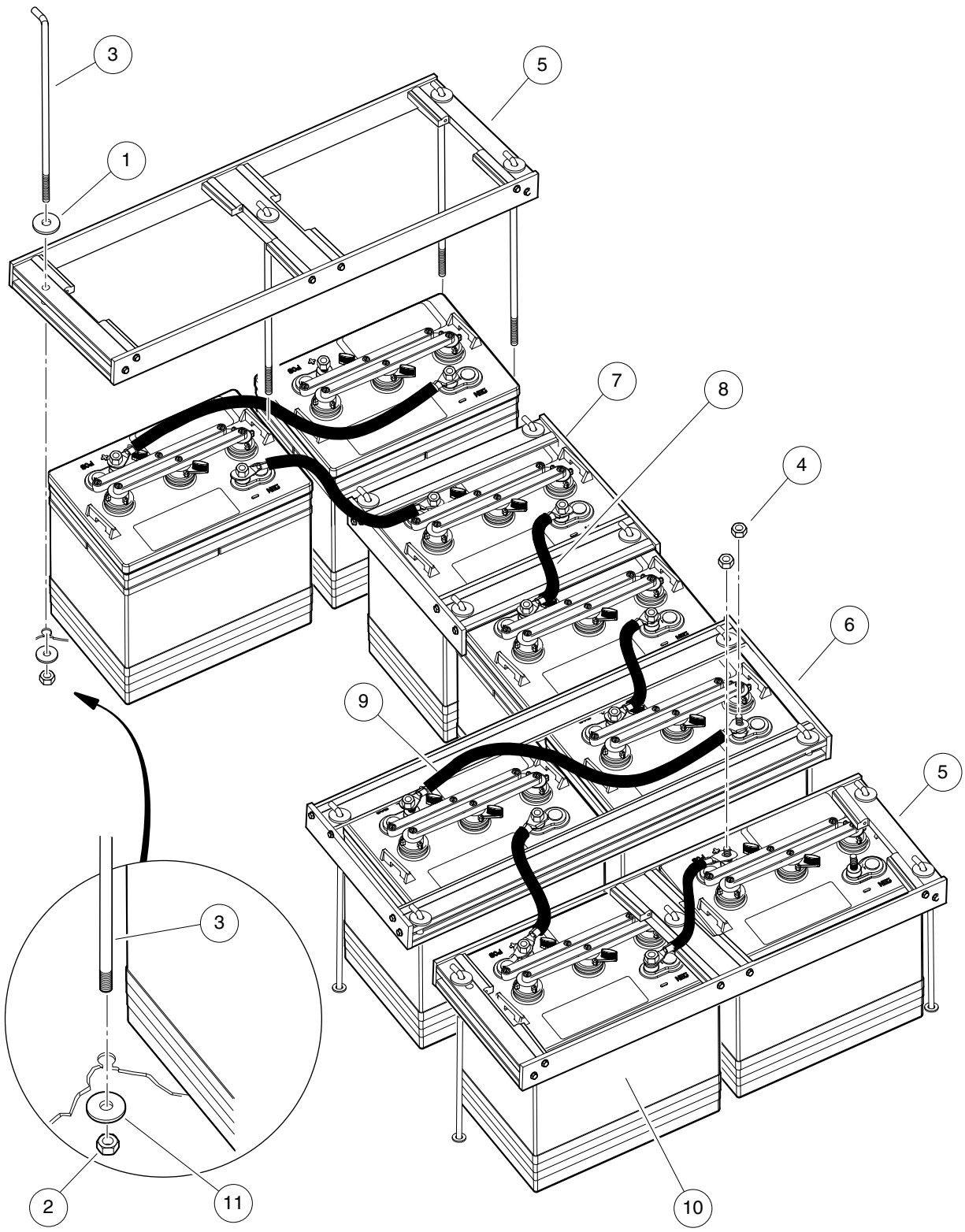
ITEM	PART NO.	DESCRIPTION	QTY
		1 2 3 4	
1	<u>1012528</u>	Nut, M8-1.25 Hex	2
2	<u>1013734</u>	Lockwasher, 8mm Split	2
3	<u>1015720</u>	Screw, #6-32 X 1/2 Hex Washer-Head	10
4	<u>1016356</u>	Terminal Block with Insulator	1
5	<u>1016967</u>	Blind Rivet, Push Type	3
6	<u>102238001</u>	#10-24 Taptite Screw	5
7	<u>102240501</u>	Bolt, Controller, Terminal	5
8	<u>102772403</u>	Cover, Component, Elec, Ac	1
9	<u>102774701</u>	Solenoid, 48v	1
10	<u>102817101</u>	Screw, 1/4-20 X .50 Hex Wsh Hd	4
11	<u>103397901</u>	Relay, Spst No, 48v 30a, Pmt	2
12	<u>103510201</u>	Asm, Wire #2 Yellow, 420	1
13	<u>103511001</u>	Asm, Wire #2 Red, 1000	1
14	<u>103517901</u>	Scr, 1/4-20 X 1.25 Hwhcs, Tt	4
15	<u>103529003</u>	Wire, Asm #2 Blk, 54 Inch	1
16	<u>103823002</u>	Plate, Comp, Mtg, 5 Relay	1
17	<u>103964401</u>	Harness, Pwr, Ca6, Ac	1
18	<u>105112401</u>	Relay, Spdt Nc, 48v 30a, Pmt	1
19	<u>105168101</u>	Controller, Ac Motor, Ls, Ca	1
20	<u>105195501</u>	Cap, Quick Conn Tab, 1/4 In	4

7

E

7

E



002507-002

BATTERIES 6-VOLT, STANDARD DUTY - CA510

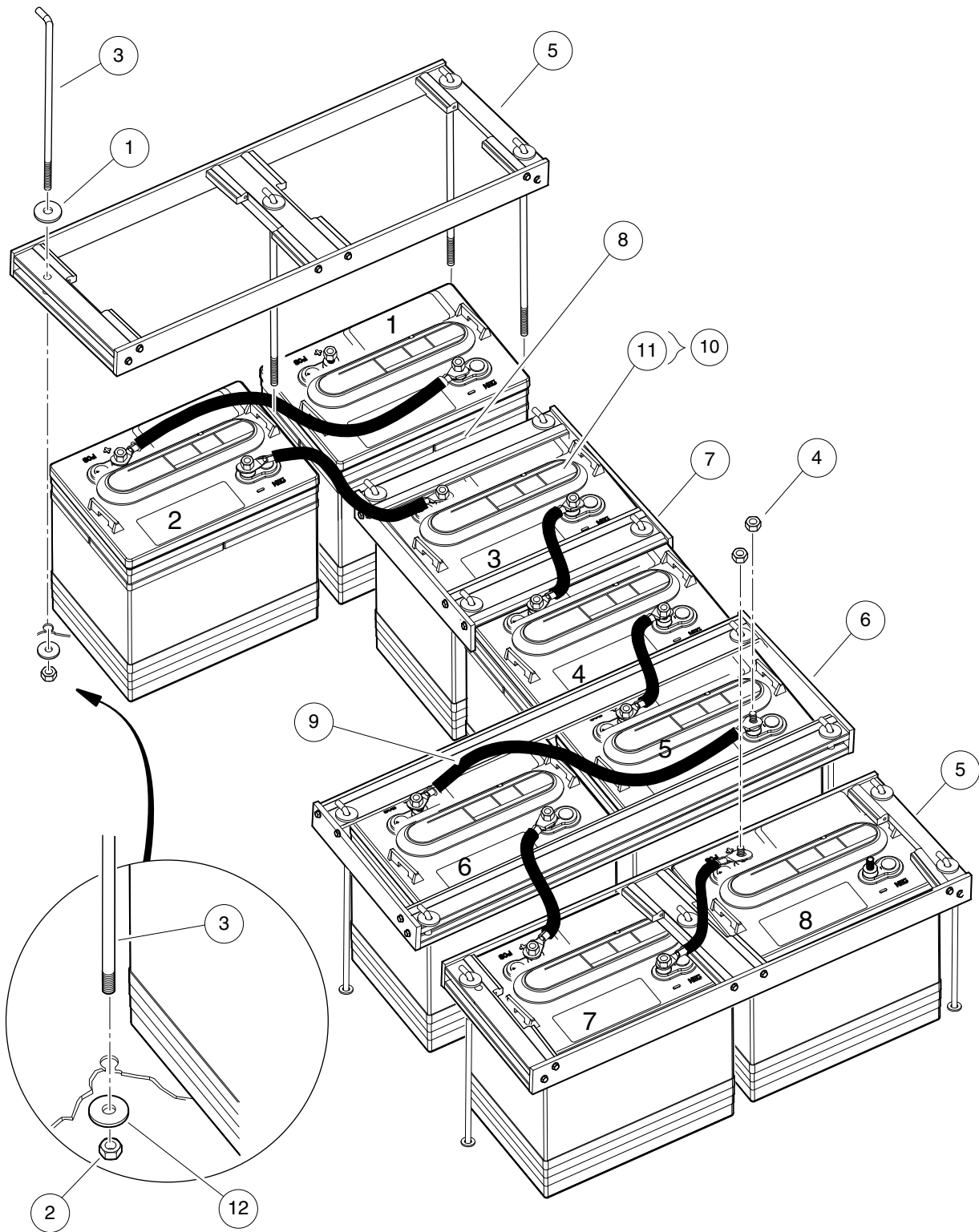
ITEM	PART NO.	DESCRIPTION	QTY
		1 2 3 4	
1	1012571	Washer, 5/16 Extra Thick Flat	16
2	1015072	Locknut, 5/16-18 Nylon Insert	16
3	<u>102845203</u>	Rod, Battery Hold Down 10.7"	16
4	<u>102873401</u>	5/16-18 Heavy Hex Nut	16
5	103481301	Asm, Batt Ret Ob, CA510	2
6	103481401	Asm, Batt Ret Ctr Long, CA510	1
7	103481501	Asm, Batt Ret Ctr Short, CA510	1
8	<u>103528901</u>	Wire, Asm #2 Blk, 9 Inch	5
9	<u>103529101</u>	Wire, Asm #2 Blk, 25 Inch	2
10	<u>105210201</u>	Battery, 6v, Type E, Gc2, Wet	8
11	<u>1241</u>	Washer, 5/16 Type A Flat	16

7

E

7

E



002508-002

BATTERIES 6-VOLT, HEAVY DUTY - CA510

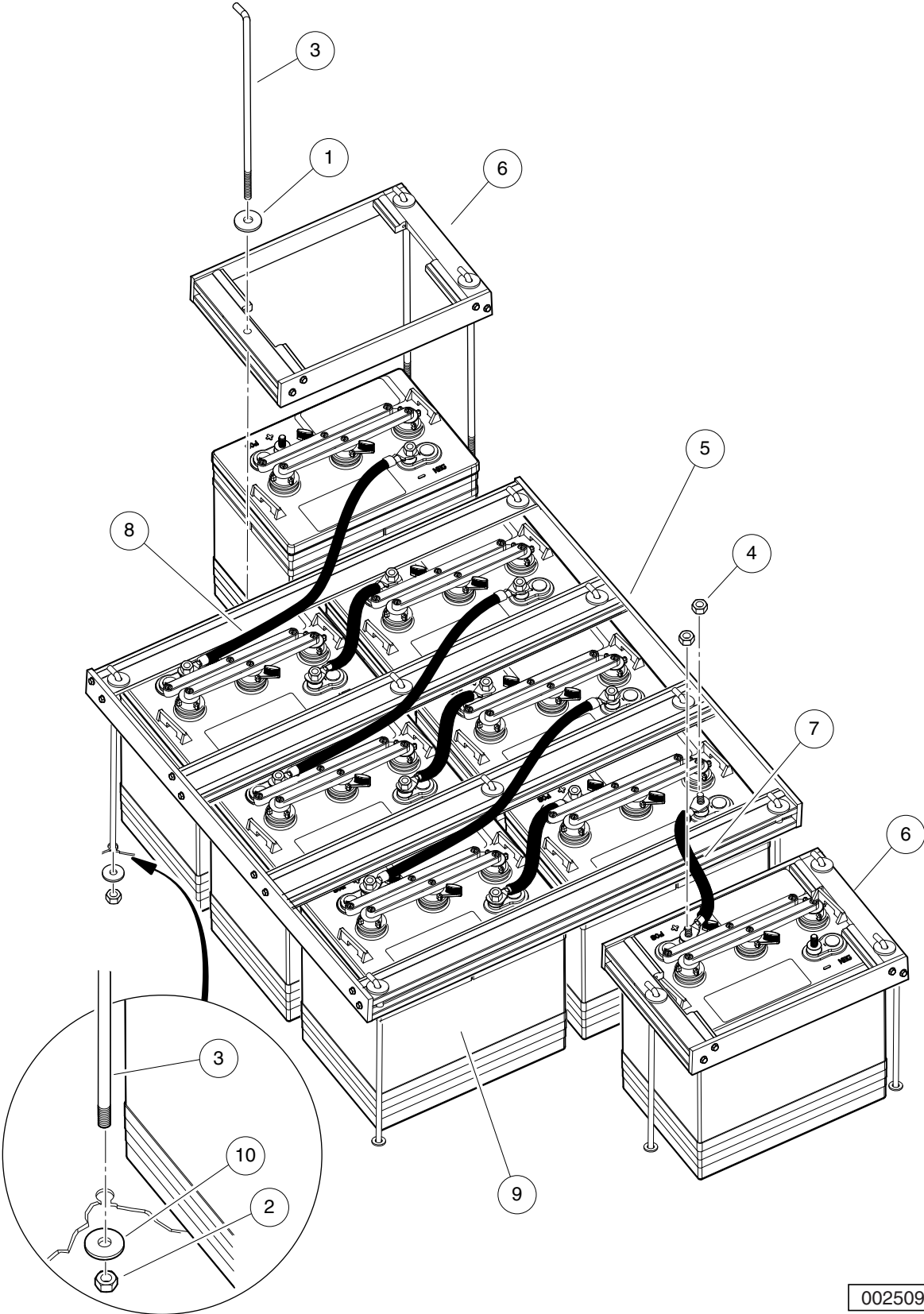
ITEM	PART NO.	DESCRIPTION	QTY
		1 2 3 4	
1	1012571	Washer, 5/16 Extra Thick Flat	16
2	1015072	Locknut, 5/16-18 Nylon Insert	16
3	<u>102845204</u>	Rod, Battery Hold Down 12"	16
4	<u>102873401</u>	5/16-18 Heavy Hex Nut	16
5	103481301	Asm, Batt Ret Ob, CA510	2
6	103481401	Asm, Batt Ret Ctr Long, CA510	1
7	103481501	Asm, Batt Ret Ctr Short, CA510	1
8	<u>103528901</u>	Wire, Asm #2 Blk, 9 Inch	5
9	<u>103529101</u>	Wire, Asm #2 Blk, 25 Inch	2
10	<u>103969799</u>	Battery,6v Trojan T145, Wet,sp	8
11	<u>1241</u>	Washer, 5/16 Type A Flat	16

7

E

7

E



002509-001

BATTERIES 6-VOLT, STANDARD DUTY - CA710

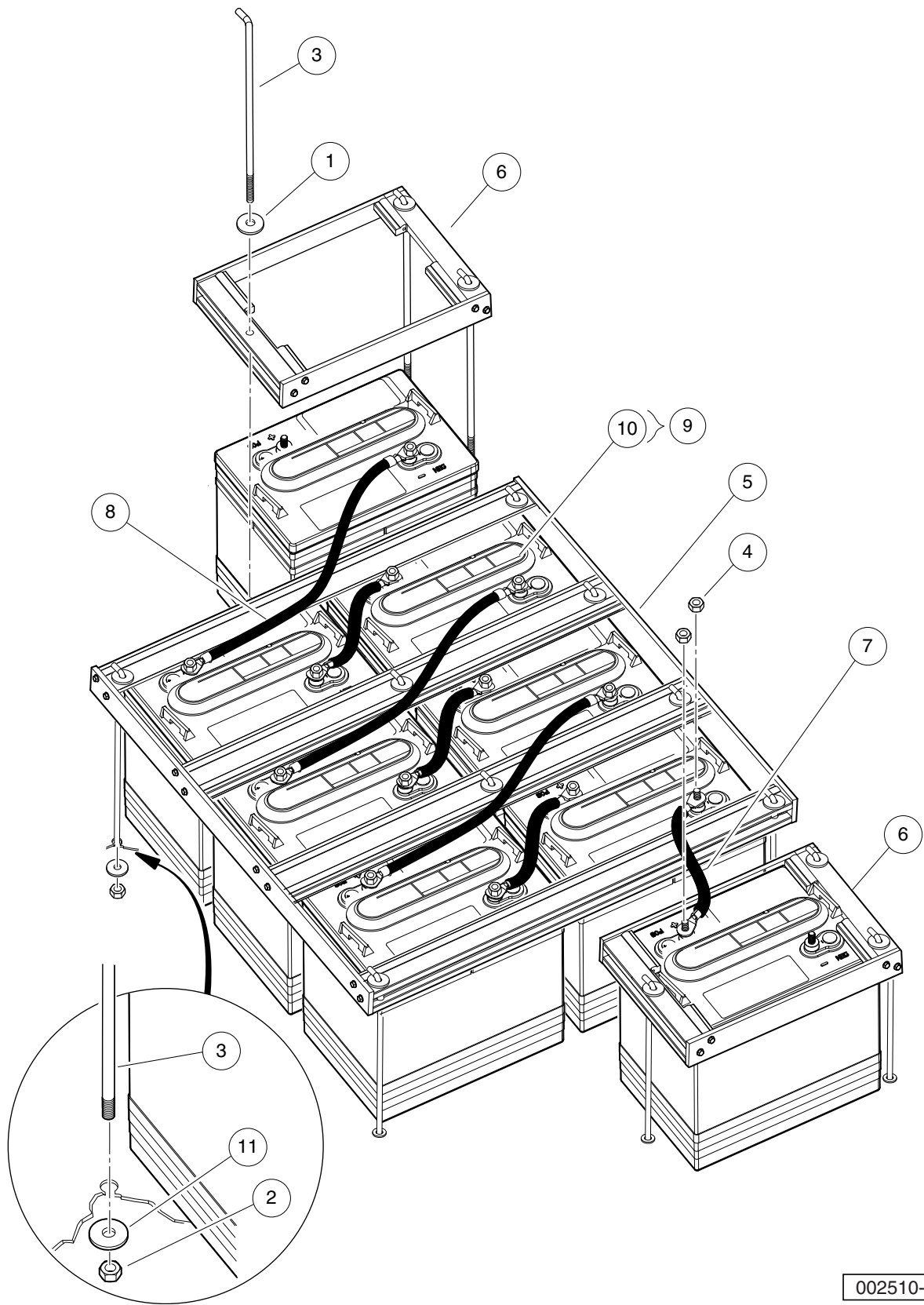
ITEM	PART NO.	DESCRIPTION	QTY
		1 2 3 4	
1	1012571	Washer, 5/16 Extra Thick Flat	14
2	1015072	Locknut, 5/16-18 Nylon Insert	14
3	<u>102845203</u>	Rod, Battery Hold Down 10.7"	14
4	<u>102873401</u>	5/16-18 Heavy Hex Nut	14
5	103493101	Asm, Batt Ret Ctr, CA710	1
6	103493201	Asm, Batt Ret Side, CA710	2
7	<u>103528901</u>	Wire, Asm #2 Blk, 9 Inch	4
8	<u>103529001</u>	Wire, Asm #2 Blk, 18.5 Inch	3
9	<u>103793101</u>	Battery, 6-Volt, JCI GC2 (Wet)	8
10	<u>1241</u>	Washer, 5/16 Type A Flat	14

7

E

7

E



002510-001

BATTERIES 6-VOLT, HEAVY DUTY - CA710

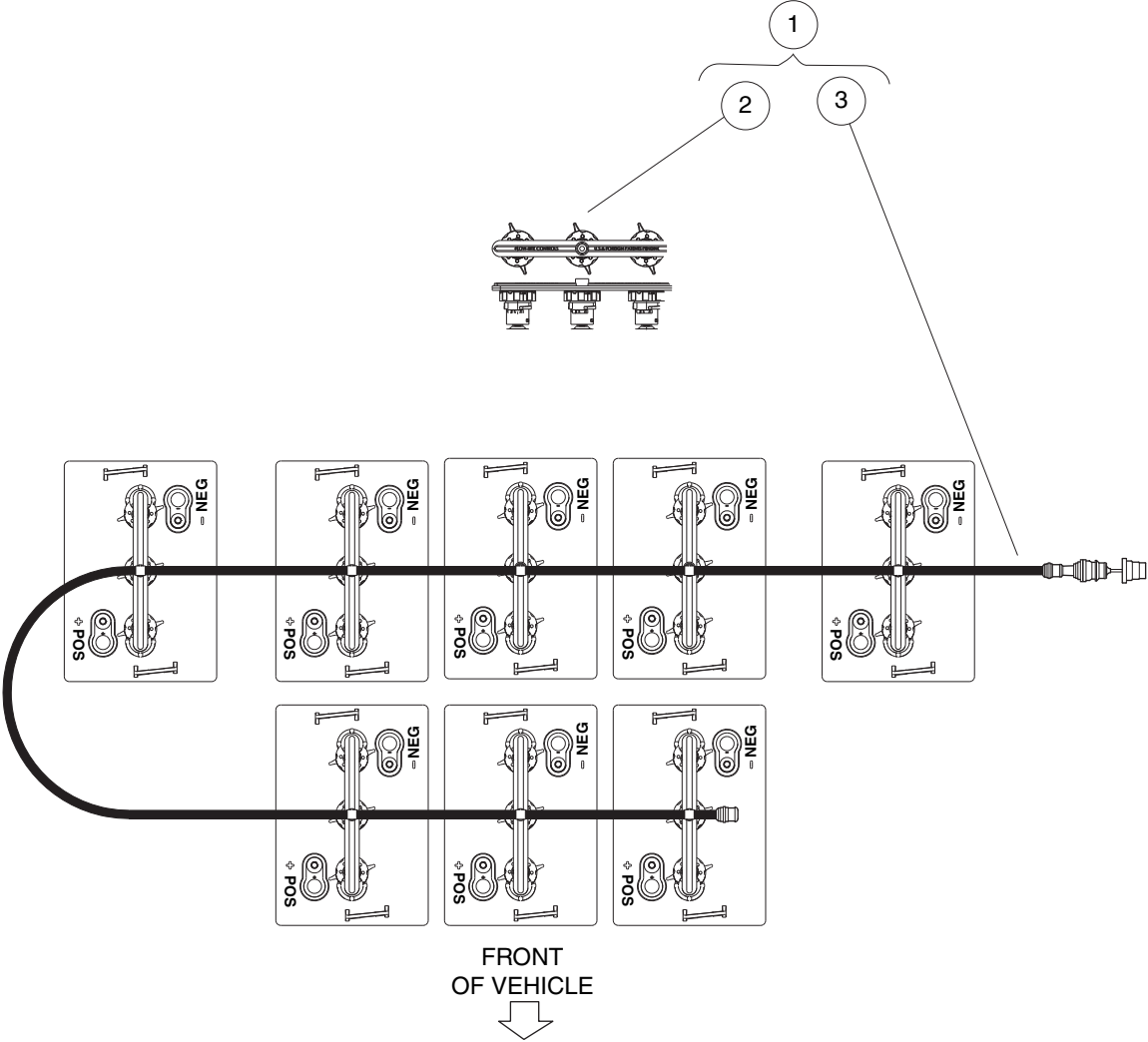
ITEM	PART NO.	DESCRIPTION	QTY
		1 2 3 4	
1	1012571	Washer, 5/16 Extra Thick Flat	14
2	1015072	Locknut, 5/16-18 Nylon Insert	14
3	<u>102845204</u>	Rod, Battery Hold Down 12"	14
4	<u>102873401</u>	5/16-18 Heavy Hex Nut	16
5	103493101	Asm, Batt Ret Ctr, CA710	1
6	103493201	Asm, Batt Ret Side, CA710	2
7	<u>103528901</u>	Wire, Asm #2 Blk, 9 Inch	4
8	<u>103529001</u>	Wire, Asm #2 Blk, 18.5 Inch	3
9	<u>103969799</u>	Battery,6v Trojan T145, Wet,sp	8
10	<u>1241</u>	Washer, 5/16 Type A Flat	14

7

E

7

E



002524-001

SINGLE POINT WATERING SYSTEM (SPWS)

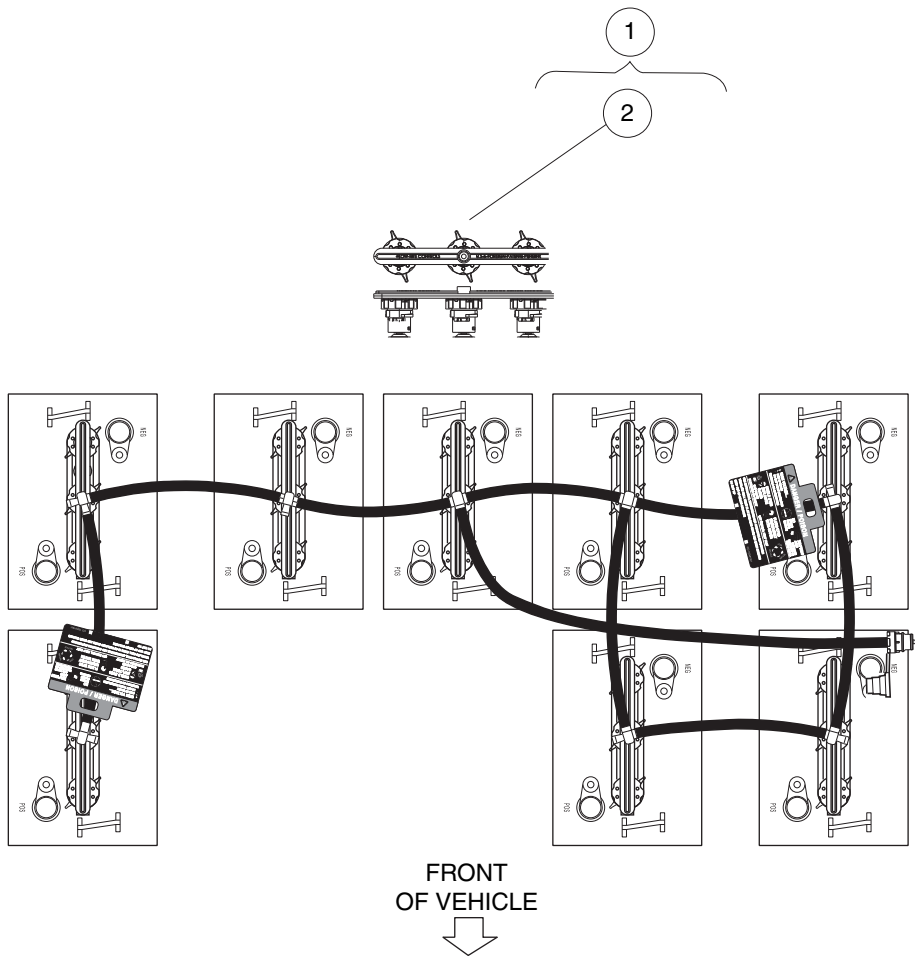
ITEM	PART NO.	DESCRIPTION	QTY
		1 2 3 4	
1	<u>103497702</u>	Kit, Spws, 8x6v (includes items 2 and 3)	1
2	<u>103510501</u>	Manifold, Lpr, 3 Vlve, Spw	8
3	<u>103942601</u>	Spws, Carryall, 8x6v	1

7

E

7

E



002540-001

SINGLE POINT WATERING SYSTEM (SPWS) – CA510

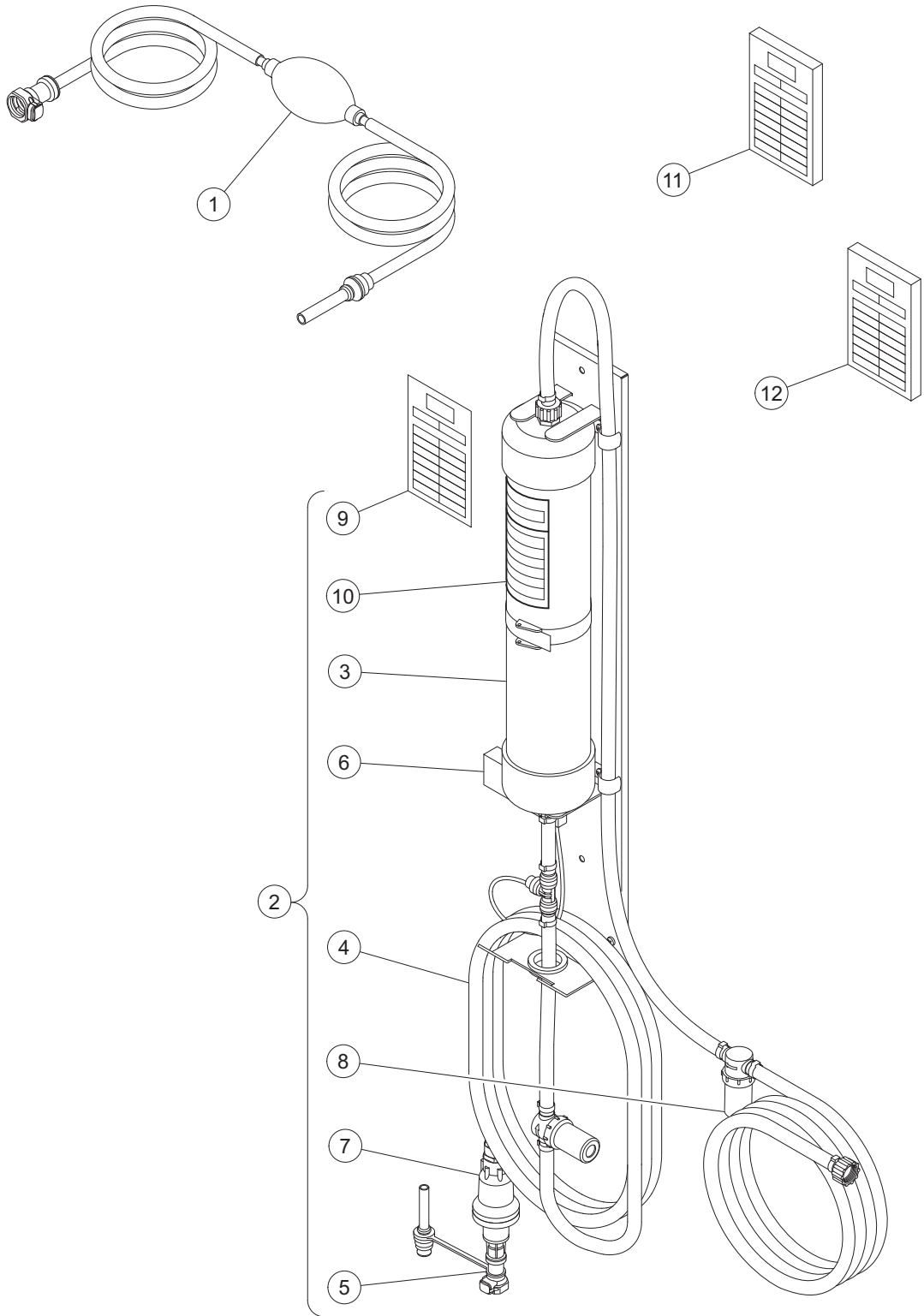
ITEM	PART NO.	DESCRIPTION	QTY
		1 2 3 4	
1	<u>103510901</u>	Kit, Spws, 8x6v, Opt 1 (includes item 2)	1
2	<u>103510501</u>	Manifold, Lpr, 3 Vlve, Spw	8

7

E

7

E



002523-003

HAND PUMP AND DEIONIZER (BATTERY-POWERED QUALITY LIGHT)

ITEM	PART NO.	DESCRIPTION	QTY
		1 2 3 4	
1	<u>104006101</u>	Kit, Hand Pump, Spws	1
2	<u>105166801</u>	Deionizer, w/Battery-Powered Water Quality Light (includes items 3 through 10)	1
3	<u>104005901</u>	Cartridge, Deionizer	1
4	<u>105166901</u>	Hose,outlet,deionizer	1
5	<u>105167001</u>	Flow Ind, W/coupler, Deionizer	1
6	<u>105167101</u>	Light, Quality, Battery-Powered, w/T-Fitting	1
7	<u>105168501</u>	Regulator, Pressure, Deionizer	1
8	<u>105168601</u>	Strainer, In-line, Deionizer	1
9	<u>AM1300001</u>	Decal, Filter Log, Blue	1
10	<u>AM1300201</u>	Decal, Inspect Log, Yellow	1
11	AM1300101	Decal, Filter Log, Blue, Pack of 100	A/R
12	AM1300301	Decal, Inspect Log, Yellow, Pack of 100	A/R

7

E

7

E

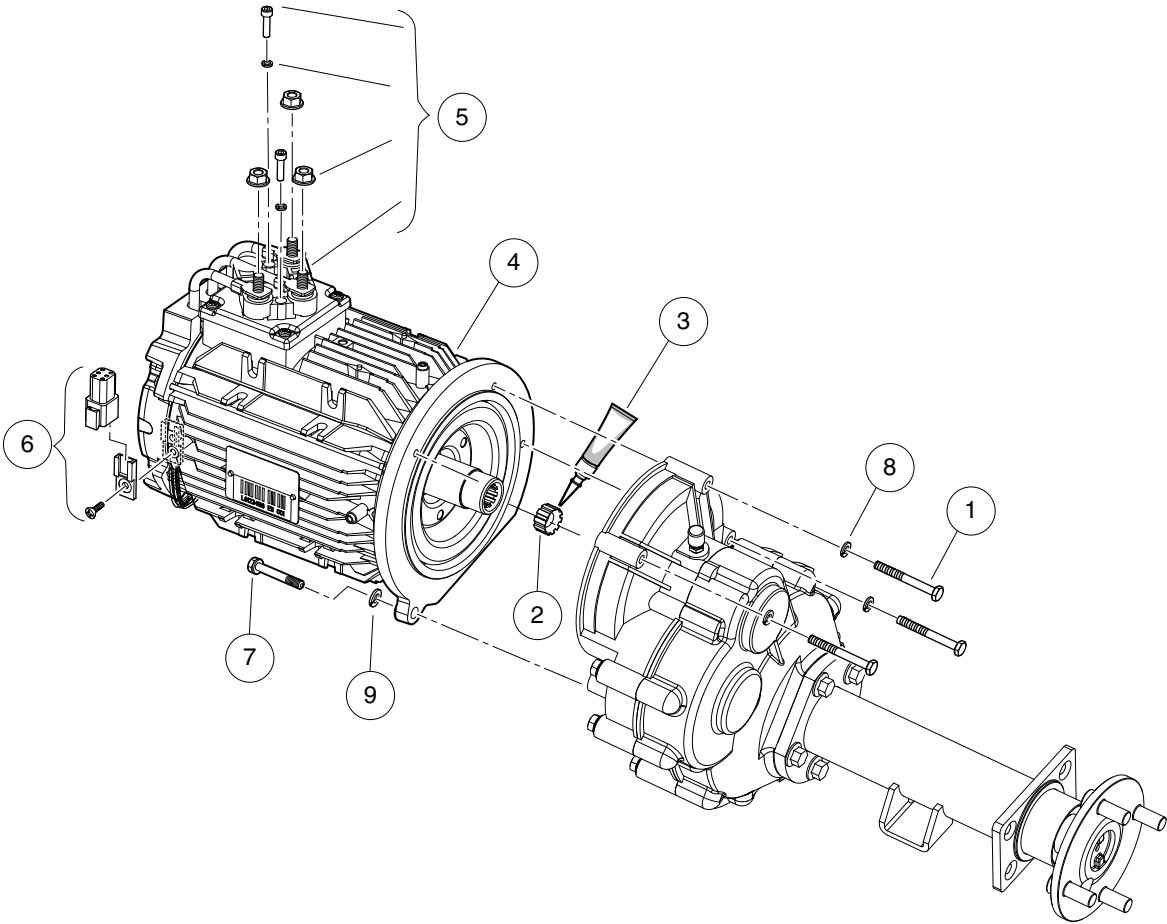
ELECTRIC MOTOR

8

E

8

E



000855-002

AC MOTOR

ITEM	PART NO.	DESCRIPTION	QTY
		1 2 3 4	
1	1014201	Screw, 1/4-20 X 2.25 Hex Cap	3
2	<u>102235201</u>	Bumper, Drive Unit	1
3	<u>102243403</u>	Lubricant, Moly-Teflon (Single-Use Tube)	1
4	<u>103647101</u>	Motor, Ac, Aircooled, Ls	1
5	<u>103998701</u>	Kit, Svc, Ls Motor	1
6	<u>103998801</u>	Kit, Connector, Dtm04-6p	1
7	1218	Screw, 5/16-18 X 1.25 Hex-Head Cap	1
8	<u>451</u>	Lockwasher, 1/4 Split	3
9	<u>7174</u>	Lockwasher, 5/16 Split	1

8

E

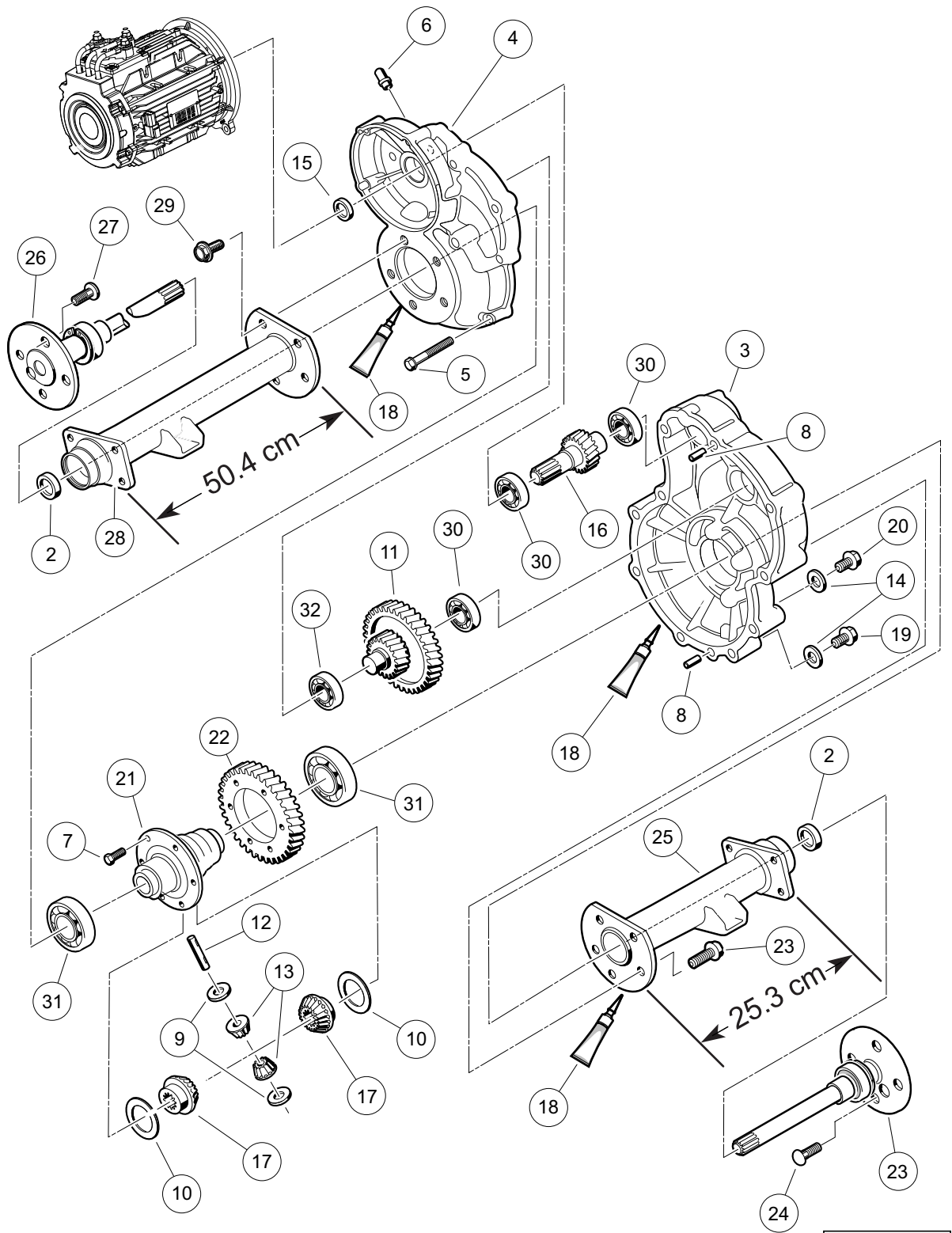
8

E

TRANSAXLE – ELECTRIC VEHICLES

9

E



000223-006

TRANSAXLE – ELECTRIC VEHICLES

ITEM	PART NO.	DESCRIPTION	QTY
		1 2 3 4	
1	<u>103484801</u>	Transaxle, Electric, Hs (includes items 2 through 32)	1
2	<u>1013794</u>	Axle Shaft Oil Seal	2
3	<u>101895401</u>	Gear Case, Driver-Side	1
4	<u>101895501</u>	Gear Case, Passenger-Side	1
5	<u>101897001</u>	Screw, M8-1.25 X 60mm Hex-Head	11
6	<u>101897201</u>	Breather	1
7	<u>101897401</u>	Screw, M10-1.25 X 25mm	6
8	<u>101897601</u>	Pin, 11mm OD X 8.5mm ID X 10mm	2
9	<u>101903601</u>	Washer, Thrust	2
10	<u>101903701</u>	Washer, Thrust	2
11	<u>101906901</u>	Intermediate Shaft Assembly	1
12	<u>101922101</u>	Pin, 15.99mm X 88.7mm Dowel	1
13	<u>101923001</u>	Gear, Differential Idler	2
14	<u>101923201</u>	Gasket	2
15	<u>101923501</u>	Seal, Lip	1
16	N/A	Shaft, Input	1
17	<u>101923901</u>	Gear, Differential	2
18	<u>101928701</u>	Liquid Gasket (Transaxle case)	1
19	<u>101972101</u>	Plug, M14-1.5 X 12mm Magnetic	1
20	<u>101972201</u>	Plug, M14-1.5 X 12mm Hex	1
21	<u>102356601</u>	Housing, Differential, 6 Bolt	1
22	<u>102356801</u>	Gear, Differential Output, 6-Bolt	1
23	<u>102886301</u>	Axle Assembly, Driver-Side (includes item 24)	1
24	<u>101922201</u>	Lug Stud	4
25	<u>102886401</u>	Tube, Axle, Driver-Side	1
26	<u>102886501</u>	Axle Assembly, Passenger-Side (includes item 27)	1
27	<u>101922201</u>	Lug Stud	4
28	<u>102886601</u>	Tube, Axle, Passenger-Side	1
29	<u>102902801</u>	Screw, M10 X 30	10
30	<u>103574501</u>	Bearing, 6204-c3	3
31	<u>7330</u>	Inner Axle Tube Bearing	2
32	<u>7336</u>	Bearing	1

9

E

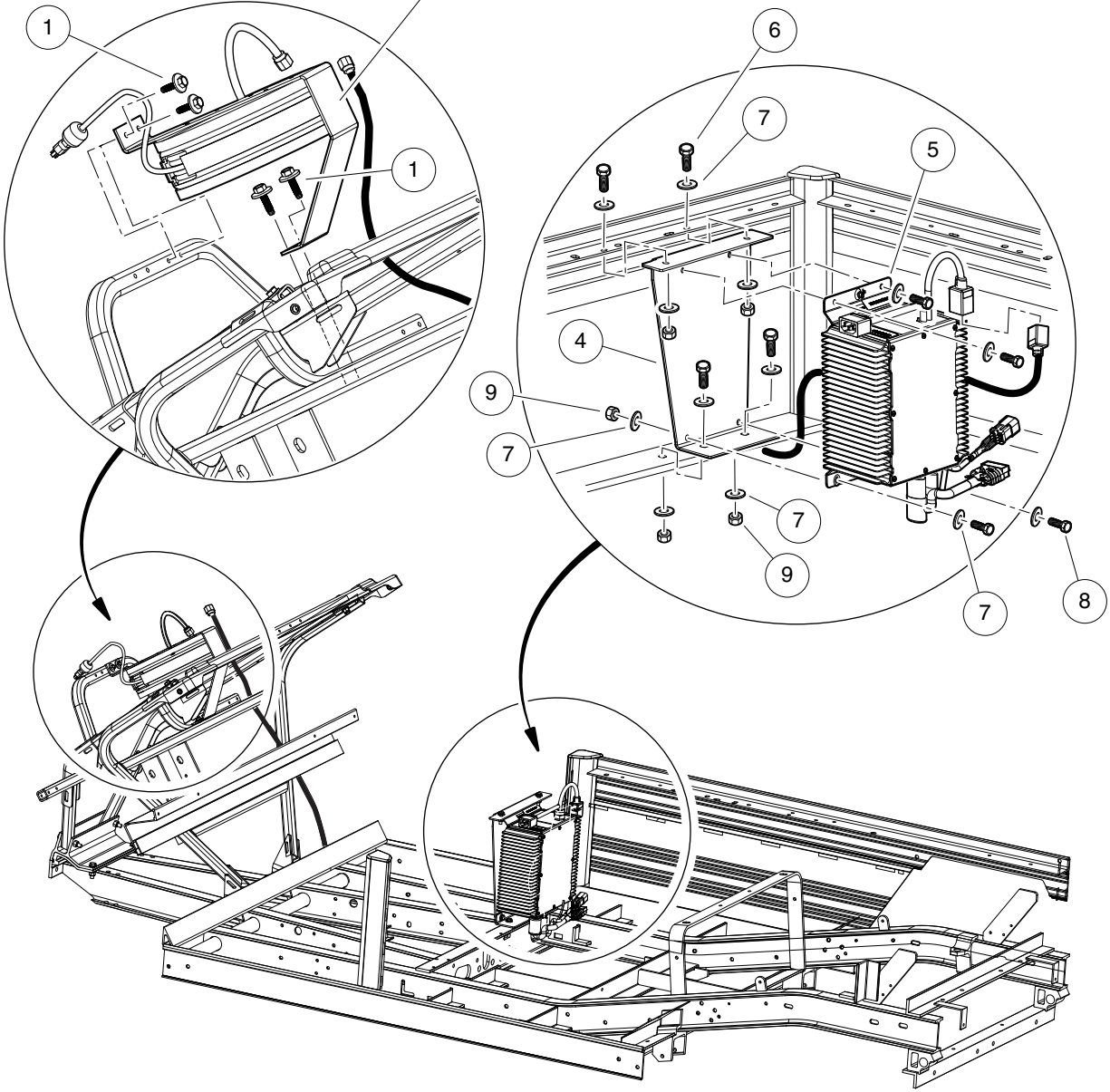
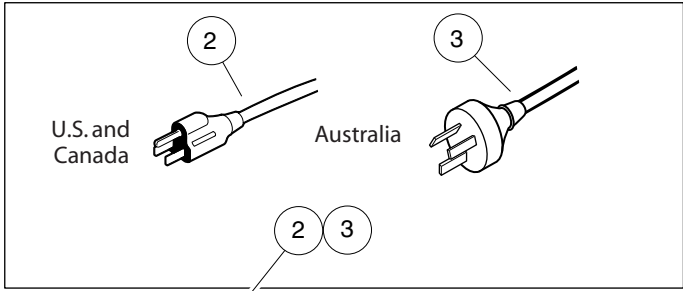
9

E

BATTERY CHARGERS – HIGH-FREQUENCY

10

E



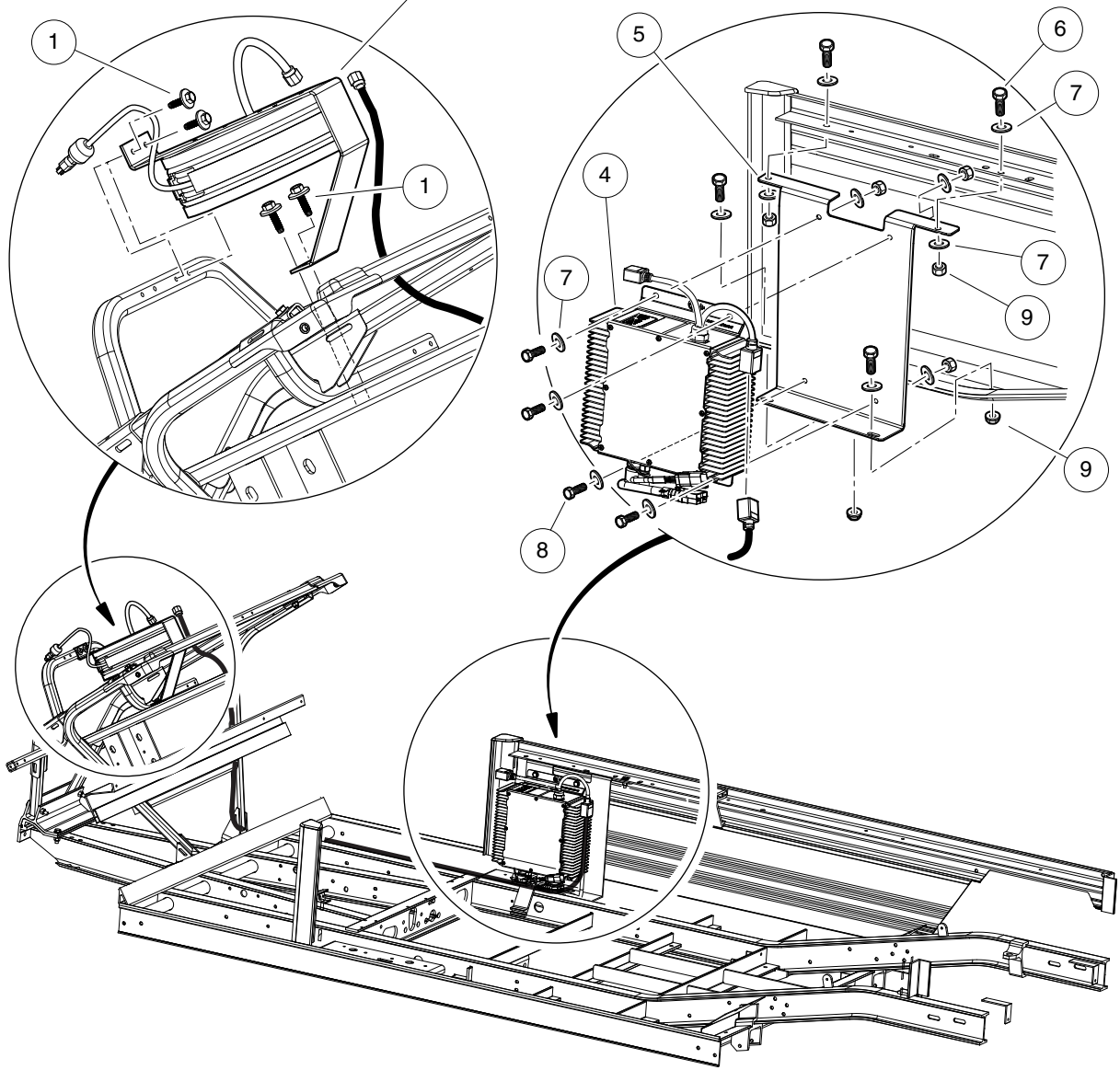
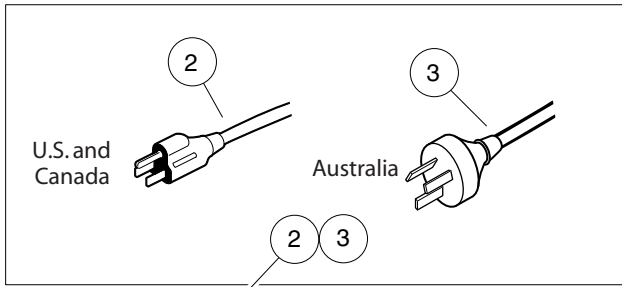
002802-001

ONBOARD BATTERY CHARGER, HIGH-FREQ. - CA510

ITEM	PART NO.	DESCRIPTION	QTY
		1 2 3 4	
1	<u>102297125</u>	Screw, M6-1.0x25.4, Thread-Forming, SEMS	4
2	<u>105117601</u>	Cord Reel, Retractable, Us	1
3	<u>105117604</u>	Cord Reel, Retractable, Aus	1
4	<u>105131401</u>	Ob Charger Bracket, Ca510 Lsv	1
5	105161901	Asm, Chgr, Batt, Onboard, Quiq	1
6	304	Screw, 1/4-20 X 1.0 Hex-Head Cap	4
7	<u>332</u>	Washer, 1/4 Type A Narrow Flat	16
8	<u>7847</u>	Screw, 1/4-20 X 0.75 Hex-Head Cap	4
9	<u>8233</u>	Locknut, 1/4-20, Nylon Insert	8

10

E



002807-002

ONBOARD BATTERY CHARGER, HIGH-FREQ. - CA710

ITEM	PART NO.	DESCRIPTION	QTY
		1 2 3 4	
1	<u>102297125</u>	Screw, M6-1.0x25.4, Thread-Forming, SEMS	4
2	<u>105117601</u>	Cord Reel, Retractable, Us	1
3	<u>105117604</u>	Cord Reel, Retractable, Aus	1
4	105161901	Asm, Chgr, Batt, Onboard, Quiq	1
5	<u>105249601</u>	Bracket, On-Board Charger, CA7/TRANS	1
6	304	Screw, 1/4-20 X 1.0 Hex-Head Cap	1
7	<u>332</u>	Washer, 1/4 Type A Narrow Flat	10
8	<u>7847</u>	Screw, 1/4-20 X 0.75 Hex-Head Cap	4
9	<u>8233</u>	Locknut, 1/4-20, Nylon Insert	5

10

E

10

E

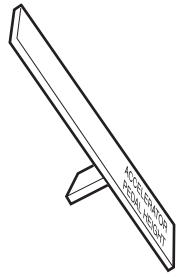
MAINTENANCE AND SERVICE TOOLS

11

G

E

11
G
E



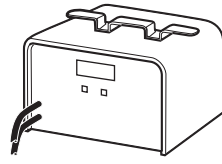
1



2



3



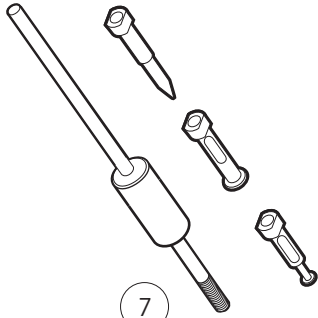
4



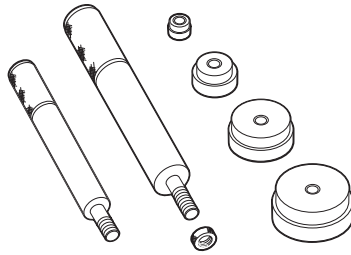
5



6



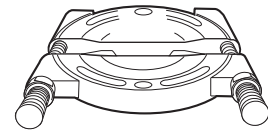
7



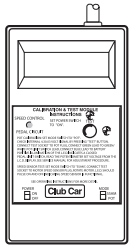
8



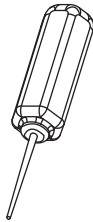
9



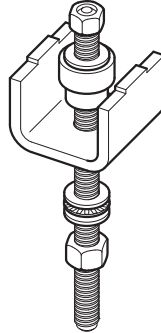
10



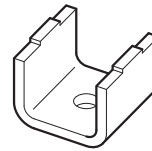
11



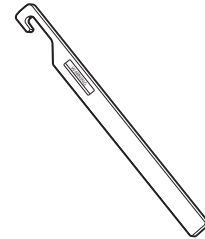
12



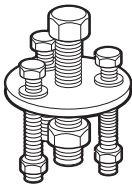
13



14



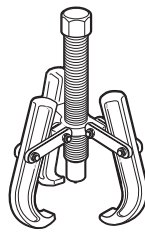
15



16



17



18



19

001060-003

MAINTENANCE AND SERVICE TOOLS

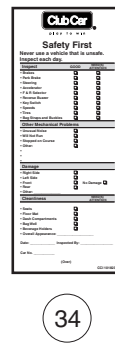
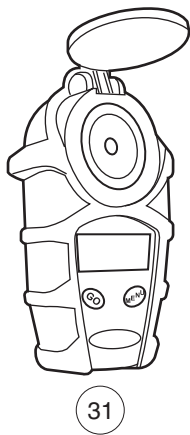
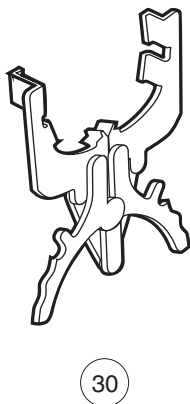
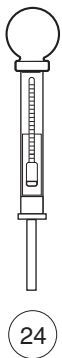
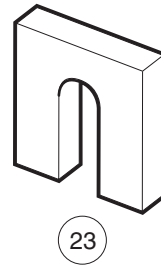
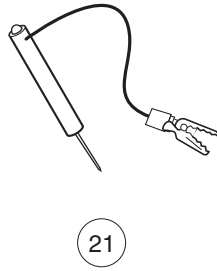
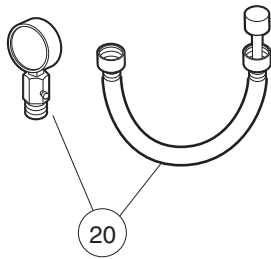
ITEM	PART NO.	DESCRIPTION	QTY GAS	QTY ELEC
		<p style="text-align: center;">1 2 3 4</p> <p>The following tool list includes all tools available from Club Car for maintenance and service procedures for gasoline and electric golf and utility vehicles. Be sure to carefully examine the tool list for applicability to your vehicle before ordering.</p>		
1	<u>101871001</u>	Accelerator Pedal Adjustment Tool (Utility Vehicles).....	1	1
2	<u>101813202</u>	Adhesive, Guide Ring, 3-Gram Tube		1
3	<u>101641202</u>	Arbor	1	
4	<u>101831901</u>	Battery Discharge Machine, 36/48 Volt		1
5	<u>1014305</u>	Battery Terminal Protector Spray	1	1
6	1011767	Battery Thermometer	1	1
7	<u>1016417</u>	Bearing and Oil Seal Remover Assembly	1	1
8	<u>1016416</u>	Bearing Driver Set	1	1
9	<u>1012811</u>	Bearing Puller	1	1
10	<u>1012812</u>	Bearing Puller Wedge Attachment	1	1
11	<u>101887101</u>	Calibration Test Module		1
12	<u>102562401</u>	Charger Bezel Tool		1
		Clutch Tools (items 13 - 19)	1	
13	47568549001	Driven Clutch Tool	1	
14	47568246001	Plate, Cam Press (supplied with item 13).....	1	
15	<u>105072501</u>	Drive Clutch Holder Tool Assembly	1	
16	<u>1014497</u>	Drive Clutch Hub Puller	1	
17	<u>1014496</u>	Drive Clutch Puller	1	
18	<u>1014508</u>	Driven Clutch Cam Puller	1	
19	<u>1014507</u>	Driven Clutch Puller Plug	1	
		<p>Please refer to the maintenance and service manual for proper tool application.</p>		

11

G

E

11
G
E



001061-003

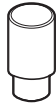
MAINTENANCE AND SERVICE TOOLS, CONTINUED

ITEM	PART NO.	DESCRIPTION	QTY GAS	QTY ELEC	
		1 2 3 4			11
20	101641002	Compression Gauge and Adapter	1		G
21	1011273	Continuity Tester	1	1	E
22	<u>1012151</u>	Dry Moly Lubricant	1	1	
23	<u>1016418</u>	Gear Yoke	1	1	
24	<u>1011478</u>	Hydrometer	1	1	
25	<u>1013593</u>	Internal Retaining Ring Pliers	1	1	
26	<u>101928701</u>	Liquid Gasket (transaxle case)	1	1	
27	<u>102243402</u>	Moly-Teflon Lubricant (4-oz. (113-gram) tube)		1	
28	<u>102587201</u>	Paint Pen, Touch-Up, Underbody ,Black	1	1	
29	<u>1016414</u>	Piston Ring Compressor Kit	1		
30	<u>1016415</u>	Piston Ring Pliers	1		
31	<u>AM1285701</u>	Refractometer	1	1	
32	<u>1012549</u>	Retaining Ring Pliers, 45 External	1	1	
33	<u>1012560</u>	Retaining Ring Pliers, 90 Internal	1	1	
34	<u>101823101</u>	Safety First Card (50 per pack)	1	1	
35	<u>1012809</u>	Seal Puller	1	1	
		Please refer to the maintenance and service manual for proper tool application.			

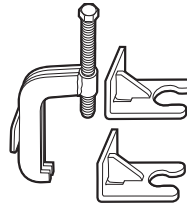
11
G
E



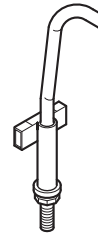
36



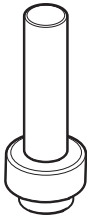
37



38



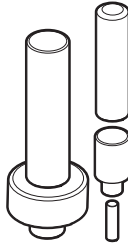
39



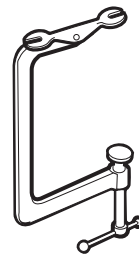
40



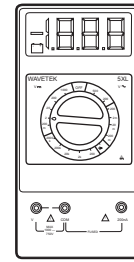
41



42



43



44



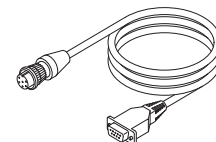
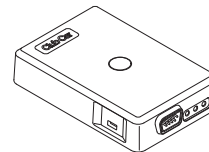
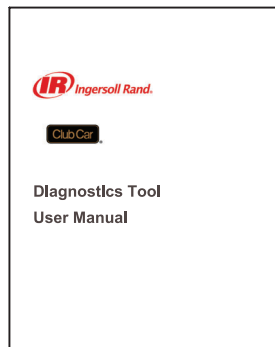
45



46



47



48

001062-002

MAINTENANCE AND SERVICE TOOLS, CONTINUED

ITEM	PART NO.	DESCRIPTION	QTY GAS	QTY ELEC
		1 2 3 4		
36	<u>1014264</u>	Steering Column Bearing Press Tool	1	1
37	<u>1014259</u>	Steering Column Retaining Ring Tool	1	1
38	102061201	Steering Wheel Puller Tool	1	1
39	<u>102570401</u>	Tool, Tensioning, Starter Generator	1	
40	<u>1014162</u>	Transaxle Axle Seal Tool		1
41	1014161	Transaxle Pinion Seal Tool		1
42	<u>1014115</u>	Transmission Tool Kit		1
43	<u>101641101</u>	Valve Spring Compressor	1	
44	1011480	Volt Ohm Meter	1	1
45	<u>47631025001</u>	Kit, EFI Diagnostics	1	
46	<u>47631026001</u>	Kit, Bluetooth EFI Diagnostics	1	
47	<u>47631075001</u>	Kit, EFI Tool	1	
		Please refer to the maintenance and service manual for proper tool application.		

11
G
E

INDEX

Part Number and Page

AM1300001	7-27	7561	1-39, 1-41	1011893	6-11
AM1300101	7-27	7602	6-3, 6-11	1011895	6-3, 6-11
AM1300201	7-27	7716	5-7	1011930	6-3
AM1300301	7-27	7820	4-9	1011931	5-9
SVP1153801	1-119	7840	6-17	1011937	1-21
SVP1153802	1-119	7847	1-23, 10-3, 10-5	1011990	1-39, 1-41, 1-67, 5-15, 5-19
SVP1153803	1-119	7893	4-23	1012151	11-5
SVP1153804	1-119	7910	6-17	1012285	5-13, 5-17
SVP1153805	1-119	7973	7-9	1012295	4-9
SVP1154001	1-121	8056	4-15	1012303	6-13
SVP1154002	1-121	8057	4-15	1012412	1-23
SVP1154003	1-121	8058	4-15	101242802	1-7
SVP1154004	1-121	8067	6-13	1012467	6-3
SVP1154005	1-121	8233	1-23, 1-29, 1-43, 5-9, 10-3, 10-5	1012528	1-35, 1-37, 7-11, 7-13
SVP1154201	1-119	8639	1-89, 4-23	1012549	11-5
SVP1154601	1-119	8717	5-9	1012560	11-5
SVP1154701	1-121	8754	1-7, 5-9, 5-15, 5-19, 6-5, 6-11, 6-13	1012565	6-9
SVP1154801	1-119, 1-121	8755	6-13	1012566	6-9
SVP1155001	1-119	8861	6-11	1012571	7-15, 7-17, 7-19, 7-21
SVP1155101	1-121	8935	1-21	1012604	6-5
SVP1161801	1-121	8963	1-21	1012605	6-5
SVP152201	4-17	1010005	6-17	1012809	11-5
183	5-15	1010138	1-39, 1-41, 6-11	1012811	11-3
304	10-3, 10-5	1010145	6-19	1012812	11-3
320	1-19	1010150	6-13	1012830	1-23
324	1-49, 1-51	1010177	6-13	1013061	4-11
332	1-23, 1-29, 1-43, 4-11, 10-3, 10-5	1010200	6-13	1013135	6-17
334	1-19, 1-29, 5-9, 5-13, 5-17, 6-5	101021902	6-11	1013357	4-7
357	1-39, 1-41, 1-67, 6-13	101022102	6-11	1013483	1-67
451	1-23, 8-3	101043502	1-35, 1-37, 1-39	1013531	5-7, 5-15, 5-19
705	1-39, 1-41, 1-67, 5-15, 5-19, 6-5	1010521	5-15, 5-19	1013593	11-5
706	1-39, 1-41, 1-67, 6-13	1010577	5-13, 5-17	1013609	4-23
1016	1-49, 1-51	1010829	5-15, 5-19	1013734	1-23, 1-35, 1-37, 7-11, 7-13
1028	5-7	101082903	5-13, 5-17	1013794	9-3
1035	1-29, 6-3, 6-11	1010878	1-43, 5-7	1013924	5-3, 5-5, 5-21
1218	6-15, 8-3	1010921	5-7	1014007	5-9
1241	1-21, 1-67, 1-69, 4-9, 5-7, 5-9, 5-13, 5-15, 5-17, 5-19, 7-15, 7-17, 7-19, 7-21	1010934	1-67, 1-69, 5-15, 5-19	1014115	11-7
1242	1-67, 1-69, 4-23	1010984	2-3	1014125	6-5
1308	6-11	1011137	5-3, 5-5, 5-21	1014126	6-5
1624	5-9	1011273	11-5	1014161	11-7
2402	6-11	1011393	6-17	1014162	11-7
7048	6-13	1011402	5-7	1014201	8-3
7049	1-53	1011415	6-19	1014213	6-5
7173	4-9	1011439	4-9	1014214	6-5
7174	1-67, 1-69, 6-13, 8-3	1011478	11-5	1014217	6-5
7274	6-17	1011480	11-7	1014259	11-7
7308	6-17	1011546	1-71	1014264	11-7
7311	1-23	1011553	1-67, 1-69, 3-5	1014276	6-13
7330	9-3	1011557	4-9	1014305	11-3
7336	9-3	1011652	1-23	1014321	1-49, 1-51
7473	1-21, 1-35, 1-37, 1-39, 4-9, 5-7, 5-9, 5-13, 5-15, 5-17, 5-19, 6-15	1011694	5-9	1014496	11-3
7479	1-29	1011767	11-3	1014497	11-3
7555	6-3, 6-11	1011779	5-15, 5-19	1014507	11-3
		1011825	4-9	1014508	11-3
		1011887	6-17	1014555	6-19
		1011892	6-17	1014902	6-19

INDEX

1014948	4-23	101806005	5-7	101974703	4-13
101503202	1-19	101808401	11-3	101974704	4-13
1015072	7-15, 7-17, 7-19, 7-21	101813202	11-3	101974705	4-13
1015277	1-43	101817401	5-9	101974706	4-13
1015363	1-53	101823101	11-5	101974707	4-13
1015391	1-35	101825101	4-11	101974708	4-13
1015400	1-35	101825103	3-3	101974709	4-13
1015445	1-67	101830701	4-13	101974710	4-13
1015524	11-3	101831901	11-3	101974711	4-13
101553901	3-3	101832001	5-15, 5-19	101974712	4-13
1015583	1-29, 1-31, 6-13	101834502	4-13	102023701	1-23
101558302	6-19	101835601	1-29, 1-43, 4-19	102025701	5-11
1015597	6-13	101837401	1-123	102026001	5-9
1015656	1-57, 1-65	101837502	1-123	102026401	1-23
1015661	1-35, 1-49, 1-51	101850301	4-5, 6-7, 6-9	102028601	5-7
1015700	1-29	101851101	4-13	102028903	5-7
1015720	7-11, 7-13	101856001	4-11	102033401	5-3, 5-21
1015741	7-5, 7-7	101856101	1-9	102033501	5-5, 5-21
1016060	1-29, 1-43	101861901	5-9	102033701	5-15, 5-19
1016077	1-57, 1-65	101862001	5-9	102047001	1-23
1016078	1-43	101871001	11-3	102049401	5-3, 5-5, 5-21
101609401	3-3	101887101	11-3	102049501	5-3, 5-5, 5-21
1016154	6-9	101887601	1-23	102049601	5-3, 5-5, 5-21
1016214	6-9	101895401	9-3	102049701	5-3, 5-5, 5-21
1016346	6-11	101895501	9-3	102049901	5-3, 5-5, 5-21
1016349	6-11	101897001	9-3	102050001	5-3, 5-5, 5-21
1016350	6-11	101897201	9-3	102050101	5-3, 5-5, 5-21
1016351	6-11	101897401	9-3	102050201	5-3, 5-5, 5-21
1016353	6-11	101897601	9-3	102050401	5-3, 5-5, 5-21
1016356	4-7, 7-11, 7-13	101900801	5-15, 5-19	102050501	5-3, 5-5, 5-21
1016384	6-13	101903601	9-3	102050601	5-3, 5-5, 5-21
1016386	6-13	101903701	9-3	102050701	5-3, 5-5, 5-21
1016387	6-13	101906901	9-3	102050801	5-3, 5-5, 5-21
1016389	6-13	101908101	7-9	102050901	5-5, 5-21
101641002	11-5	101908401	7-9	102050902	5-3, 5-21
101641101	11-7	101918501	5-9	102052801	5-15, 5-19
101641202	11-3	101919801	5-9	102056001	1-69
1016414	11-5	101922101	9-3	102056201	1-23
1016415	11-5	101922201	9-3	102059001	1-23
1016416	11-3	101923001	9-3	102059401	1-23
1016417	11-3	101923201	9-3	102059501	1-23
1016418	11-5	101923501	9-3	102060201	1-23
1016423	4-7, 7-5, 7-7	101923901	9-3	102061101	1-23
1016603	1-39, 1-41	101928701	9-3, 11-5	102061201	11-7
1016849	4-9, 4-11	101932201	4-9	102065103	1-69
1016851	4-11, 4-15	101953101	5-7	102065901	1-29, 1-31, 1-33
1016967	7-11, 7-13	101953105	5-7	102158901	5-9
1017226	6-13	101955101	4-9	102196901	7-5, 7-7
1017266	6-11	101957101	4-9	102198001	4-7
1017273	6-7, 6-9	101958601	1-43	102199001	4-9
1017378	5-9	101958602	1-29	102235201	8-3
1017380	5-9	101963401	1-57, 1-65	102238001	4-7, 7-11, 7-13
1017424	5-9	101972101	9-3	102240501	7-11, 7-13
1017774	1-39, 1-41	101972201	9-3	102243402	11-5
101791101	5-21	101974701	4-13	102243403	8-3
101796201	5-9	101974702	4-13	102292701	1-15

INDEX

102292801	5-13, 5-15, 5-17, 5-19	102894503	4-9	103628901	6-13
102296301	1-15	102902801	9-3	103635801	5-13, 5-17
102296530	1-15	102915701	7-9	103647101	8-3
102296819	1-5	102976701	5-13, 5-17	103665002	5-13, 5-17
102297125	1-15, 1-17, 1-19, 1-25, 1-27, 4-9, 4-23, 10-3, 10-5	103180101	1-91, 4-11	103724504	6-7, 6-9
102297230	7-3	103182701	1-19	103724601	6-9
102298185	1-29, 1-31	103182702	1-19	103724602	6-7
102298401	1-29, 1-31, 1-45, 1-47, 1-49, 1-51, 1-57, 1-65, 1-119, 1-121, 4-17, 6-19	103218601	7-5, 7-7	103724901	6-9
102299550	1-45, 1-47, 1-49, 1-51, 1-57, 1-65, 1-119, 1-121, 4-17	103229601	5-3, 5-5, 5-21	103764301	4-3
102301401	1-29	103232101	6-5	103793101	7-19
102311501	1-9	103233101	6-3	103823002	7-11, 7-13
102323101	5-7, 5-13, 5-17	103234304	3-7, 3-9	103824101	6-13
102323201	5-7, 5-13, 5-17	103245001	4-9	103824201	6-13
102323501	1-7	103264802	6-11	103829401	6-7
102356601	9-3	103267001	1-23	103832501	4-21
102356801	9-3	103376101	5-13, 5-17	103832601	4-21
102444601	5-15, 5-19	103397901	7-11, 7-13	103865001	5-13, 5-17
102459301	3-5	103477901	6-17	103865101	5-9
102492301	7-5, 7-7	103481301	7-15, 7-17	103902101	7-3
102506401	1-29, 1-31, 6-19	103481401	7-15, 7-17	103902301	7-3
102517501	4-9	103481501	7-15, 7-17	103902401	7-3
102518301	3-5	103484301	4-9	103942601	7-23
102519001	5-13, 5-17	103484801	9-3	103943401	7-3
102538601	7-5, 7-7	103493101	7-19, 7-21	103951801	1-39, 1-41
102541501	1-15	103493201	7-19, 7-21	103964201	7-11
102546401	4-9	103497702	7-23	103964401	7-13
102554512	1-53	103501401	3-3	103969799	7-17, 7-21
102562401	11-3	103502801	6-13	103971501	5-13
102564002	6-13	103507001	6-13	103971601	5-17
102570401	11-7	103510201	7-11, 7-13	103998701	8-3
102572401	7-5, 7-7	103510501	7-23, 7-25	103998801	8-3
102587201	11-5	103510901	7-25	104001201	1-73, 1-77
102590801	1-49, 1-51, 1-53	103511001	7-13	104002101	1-99
102621501	1-55	103515301	3-5	104005901	7-27
102621601	1-7	103517801	3-7, 3-9	104006101	7-27
102670701	1-7	103517901	7-11, 7-13	104026901	3-3
102684501	6-13	103524601	6-19	104033601	1-71
102766301	6-13	103524701	6-19	105006501	1-23
102772403	7-11, 7-13	103525801	5-15, 5-19	105007001	1-21
102774701	7-11, 7-13	103528901	7-15, 7-17, 7-19, 7-21	105034001	1-19
102817101	4-23, 7-11, 7-13	103529001	7-19, 7-21	105034103	4-11
102845101	3-5	103529003	7-13	105034201	1-19
102845203	7-15, 7-19	103529004	7-11	105034321	1-11
102845204	7-17, 7-21	103529101	7-15, 7-17	105034322	1-11
102847603	1-57, 1-65	103538701	1-29, 1-31	105034323	1-11
102869401	4-11	103539001	1-29	105034324	1-11
102873401	7-15, 7-17, 7-19, 7-21	103539002	1-31, 1-33	105034325	1-11
102882501	1-39, 1-41	103540203	1-19	105034326	1-11
102883601	1-15, 3-7, 3-9	103541401	4-23	105034327	1-11
102886301	9-3	103574501	9-3	105034328	1-11
102886401	9-3	103575801	1-29, 1-31, 1-33	105034329	1-11
102886501	9-3	103625801	5-15, 5-19	105034401	1-15
102886601	9-3	103625901	5-15, 5-19	105034501	1-15
		103626001	5-15, 5-19	105034601	1-15
		103627001	5-15	105034701	1-15
		103627101	5-19	105034801	1-15

INDEX

105034901	1-17	105098002	1-93	105122808	4-9
105035001	1-17	105098101	1-95	105124001	1-7
105035101	1-27	105098201	1-97	105124701	3-5
105035201	1-27	105098301	1-97	105124901	1-9
105035301	1-27	105098401	1-99	105127302	1-55
105035701	1-19	105098501	1-83	105127401	1-49, 1-51
105035801	1-25	105098502	1-83	105127402	1-49, 1-51
105036601	1-35, 1-37	105098701	1-83	105128001	1-55
105036701	1-15	105106101	2-5	105128101	1-53
105036801	4-5	105106201	2-5	105128201	1-53
105046101	3-3	105106301	2-5	105129501	1-57, 1-65
105049201	1-19	105106501	2-5	105129601	1-57, 1-65
105049301	1-19	105106702	6-11	105129901	1-55
105066401	1-27	105106801	6-19	105130001	3-5
105068001	4-13	105106901	4-11	105130101	3-3
105068002	4-13	105107201	7-5	105130301	1-53
105068003	4-13	105107501	7-7	105130302	1-53
105068004	4-13	105108201	4-9	105130501	1-53
105068005	4-13	105108301	4-9	105131001	1-39, 1-41
105068006	4-13	105108401	4-9	105131401	10-3
105068007	4-13	105108801	4-23	105135201	4-9
105068008	4-13	105108901	1-39, 1-41	105135802	4-23
105068009	4-13	105109501	1-65	105137104	3-3
105068010	4-13	105109601	1-57	105137105	3-3
105068011	4-13	105110801	1-29	105144801	4-21
105068012	4-13	105112401	4-11, 7-11, 7-13	105148502	1-65
105068902	6-19	105112501	4-23	105148503	1-57
105073401	4-5	105112601	4-23	105148601	1-57, 1-65
105073601	4-11	105113301	1-65	105148801	1-65
105074501	1-7	105113302	1-65	105148802	1-65
105074502	1-7	105113401	1-57	105148901	1-57
105078811	2-3	105113402	1-57	105148902	1-57
105078901	2-3	105114805	4-7	105149101	5-11
105079204	2-3	105114806	4-7, 4-9	105149201	5-11
105079501	2-3	105114807	1-89, 4-7	105152601	3-7
105082001	4-13	105115002	3-7	105153001	3-9
105082002	4-13	105115003	3-9	105153201	3-7, 3-9
105082003	4-13	105115005	3-7	105153202	3-7, 3-9
105082004	4-13	105115006	3-9	105156301	1-5
105082005	4-13	105116301	7-3	105156701	1-5
105082006	4-13	105117601	10-3, 10-5	105156702	1-5
105082007	4-13	105117604	10-3, 10-5	105158704	1-109
105082008	4-13	105117701	1-13	105158705	1-107
105082009	4-13	105117702	1-13	105158804	1-113
105082010	4-13	105117703	1-13	105158805	1-111
105082011	4-13	105117704	1-13	105160401	1-59
105082012	4-13	105117705	1-13	105160501	1-63
105083301	6-13	105117706	1-13	105160801	1-59
105093801	4-5	105117707	1-13	105160901	1-59
105094001	1-7	105117708	1-13	105161001	1-59
105095701	1-23	105117709	1-13	105161101	1-59
105097001	1-75	105117710	1-13	105161201	1-63
105097301	1-73	105122105	1-49	105161301	1-63
105097501	1-81	105122106	1-51	105161401	1-59
105097901	1-91	105122205	1-45	105161501	1-61
105098001	1-93	105122206	1-47	105161601	1-61

INDEX

105161901	10-3, 10-5	105182501	1-73, 1-77	105238201	1-115, 1-117
105163601	3-3	105182601	1-73, 1-77	105238301	1-115, 1-117
105163701	3-3, 3-5	105182701	1-73, 1-77	105238401	1-115, 1-117
105165801	4-9	105182801	1-79	105238402	1-115, 1-117
105165901	1-53	105182901	1-73	105238501	1-115, 1-117
105166801	7-27	105183001	1-73	105238502	1-115, 1-117
105166901	7-27	105183501	1-91	105238603	1-115, 1-117
105167001	7-27	105183601	1-97	105238604	1-115, 1-117
105167101	7-27	105183801	1-99	105238701	1-107, 1-109
105167201	7-5, 7-7	105185701	1-45, 1-47, 1-57, 1-65	105238801	1-109
105168101	7-11, 7-13	105185801	1-45, 1-47, 1-57, 1-65	105238802	1-107
105168501	7-27	105186201	6-19	105238901	1-109
105168601	7-27	105186202	6-19	105238902	1-107
105169101	1-35	105188185	6-19	105239001	1-109
105170301	1-39	105190601	4-9	105239002	1-107
105170401	1-41	105190701	4-9	105239101	1-107, 1-109, 1-111, 1-113
105173901	7-5, 7-7	105192301	1-49, 1-51	105239201	1-107, 1-109, 1-111, 1-113
105175901	1-107, 1-109, 1-111, 1-113	105192901	1-49, 1-51	105239302	1-107, 1-109
105178301	1-81	105193001	1-49, 1-51	105239401	1-107, 1-109
105178401	1-81	105193101	1-55	105239601	1-111, 1-113
105179001	1-91	105193501	1-39	105239701	1-115
105179101	1-91	105194101	1-35	105239702	1-115
105179201	1-91	105194801	1-45, 1-47, 1-57, 1-65	105239801	1-113
105179301	1-91	105194802	1-45, 1-47	105239802	1-111
105179401	1-91	105194901	1-45	105239901	1-115
105179501	1-91	105194902	1-45	105239902	1-115
105179601	1-91	105195001	1-47	105240202	1-111, 1-113
105179701	1-91	105195002	1-47	105240301	1-111, 1-113
105179801	1-91	105195501	7-11, 7-13	105241001	1-109, 1-113
105179901	1-91	105196101	1-49, 1-51	105241002	1-107, 1-111
105180301	1-95	105196201	1-49, 1-51	105241101	1-109, 1-113
105180401	1-95	105197101	1-35	105241102	1-107, 1-111
105180501	1-95	105197201	1-37	105241201	1-115, 1-117
105180601	1-95, 1-97, 1-99	105197601	1-39	105241301	1-115, 1-117
105180701	1-95	105197602	1-41	105241401	1-115, 1-117
105180801	1-95	105200702	1-49	105241501	1-115, 1-117
105180901	1-97	105200703	1-51	105241601	1-115, 1-117
105181001	1-97	105200802	1-49	105241602	1-115, 1-117
105181101	1-97	105200803	1-51	105241701	1-115, 1-117
105181201	1-99	105200901	1-49, 1-51	105241702	1-115, 1-117
105181301	1-97	105201001	1-49, 1-51	105241801	1-115
105181401	1-97	105205201	1-49, 1-51	105241802	1-115
105181501	1-97	105205501	1-89	105241901	1-115
105181601	1-99	105210201	7-15	105241902	1-115
105181701	1-73, 1-77	105216201	1-53	105243002	6-15
105181801	1-73, 1-77	105234002	1-89	105244001	1-113
105181901	1-73, 1-77	105237601	1-107, 1-109, 1-111, 1-113, 1-119, 1-121	105244002	1-111
105182001	1-73, 1-77	105237701	1-107, 1-109, 1-111, 1-113, 1-119, 1-121	105244101	1-113
105182002	1-77	105237801	1-115, 1-117	105244102	1-111
105182101	1-73, 1-77	105237802	1-115, 1-117	105245901	1-77
105182102	1-73, 1-77	105237901	1-115	105247301	7-11
105182201	1-73, 1-77	105237902	1-115	105249601	10-5
105182202	1-73, 1-77	105238001	1-107, 1-109, 1-111, 1-113	105265301	1-77
105182301	1-73, 1-77	105238101	1-107, 1-109, 1-111, 1-113	105265401	1-77
105182302	1-73, 1-77			105289301	1-83
105182401	1-73, 1-77			105295301	1-91

INDEX

105298002 1-33
105329301 6-13
47552857001 1-75
47552861001 1-85
47552862001 1-105
47552863001 1-103
47552864001 1-101
47552866001 1-87
47552872001 1-87
47552874001 1-87
47553011001 1-75
47553013001 1-75, 1-85, 1-101, 1-103, 1-105
47553014001 1-75, 1-85, 1-103, 1-105
47553015001 1-75
47553022001 1-85
47553024001 1-103, 1-105
47553025001 1-85
47553025002 1-85
47553026001 1-85, 1-103, 1-105
47553027001 1-85
47553028001 1-85
47553029001 1-85
47553030001 1-85
47553031001 1-85
47553939001 1-85
47553940001 1-85
47553942001 1-85
47553943001 1-85
47553948001 1-85
47553950001 1-105
47554192001 1-75
47554309001 1-103
47554310001 1-103
47554311001 1-103
47554387001 1-101
47554388001 1-101
47554389001 1-101
47554390001 1-101
47554722001 1-87
47554723001 1-87
47554724001 1-87
47554727001 1-87
47554728001 1-87
47554730001 1-87
47555146001 1-87
47555147001 1-87
47555148001 1-87
47555149001 1-87
47555150001 1-87
47555151001 1-87
47555152001 1-87
47555155001 1-87
47555156001 1-87
47555157001 1-87
47555158001 1-87
47555160001 1-87

47563313001 1-49, 1-51
47563313002 1-49, 1-51
47570761001 1-75
47570762001 1-75
47579096001 6-19
47579923001 4-5
47583907001 4-5
47594727001 4-19
47605866001 4-19
47605867001 4-19
47605991002 1-3
47605991004 1-3
47621599001 1-49, 1-51
47627145001 4-17
47627947001 4-17
47627948001 4-17
47628823001 4-17
47631859001 4-17
47632459001 4-17
47632461001 4-17
47633509001 4-17
47634631001 4-17
47634681001 3-5
54562079 5-15
96705199 1-49, 1-51

A

accelerator bracket and bearing assembly 5-9
accelerator pedal adjustment tool 11-3
accelerator pivot rod 5-9
accelerator return spring 5-9
accessory receptacle 4-7
adhesive, guide ring 11-3
AM1285701 11-5
A-plate strap 6-11
A-plate, delta 6-11
arbor 11-3
assembly
 accelerator bracket and bearing 5-9
 accelerator pivot rod 5-9
 backing plate 5-3, 5-5, 5-21
 bearing, steering shaft 6-5
 brake cluster 5-3, 5-5, 5-21
 delta A-plate 6-11
 kingpin 6-13
 park brake 5-3, 5-5, 5-21
 park brake lever 5-15, 5-19
 ratchet 5-9
axle 9-3
axle shaft oil seal 9-3
axle tube 9-3

B

backing plate 5-3, 5-5, 5-21
ball joint 6-3, 6-11

ball, trailer hitch 1-71
base, seat holder 1-23
battery discharge machine 11-3
battery hold-down rod 7-15, 7-17, 7-19, 7-21
battery terminal protector spray 11-3
battery thermometer 11-3
battery, 6-volt, JCI GC2 7-19
battery, 6-volt, JCI GC2 Entek 7-15
bearing 9-3
 front wheel hub 6-17
 hub 6-17
 inner axle tube 9-3
 pivot support 5-9
 steering shaft 6-5
 thrust 6-13
bearing and oil seal remover 11-3
bearing driver set 11-3
bearing puller 11-3
bearing puller wedge 11-3
bearing seat 6-5
bed clamp kit 1-59
bed floor 1-35
bed floor kit 1-35, 1-37
bed floor weldment 1-37
bed latch weldment 1-35
bed lift actuator 1-39, 1-41
bed lift harness 1-39, 1-41
bed lift kit, electric 1-39
bed lift kit, electric 1-41
bed lift weldment 1-39, 1-41
block, brake-mounting 5-7
block, fuse 7-5, 7-7
block, terminal 4-7, 7-11, 7-13
body kick plate 1-23
bolt, U- 6-19
boot
 park brake 5-15, 5-19
boot shield 5-15
boot, switch 7-9
box
 tool 1-123
brace, trailer hitch 1-67
bracket 4-17
 brake light switch 4-9
 horn 4-9
 stake side 1-57, 1-65
bracket, hinge, bed 1-29, 1-31
Bracket, Steering Stop 6-15
bracket, tailgate Lh 1-53
bracket, tailgate Rh 1-53
brake cable hanger 5-15, 5-19
brake cluster 5-3, 5-5, 5-21
brake drum 5-3, 5-5, 5-21
brake light switch bracket 4-9
brake mounting block 5-7
brake pedal 5-7

INDEX

brake return spring 5-7, 5-15, 5-19
brake, park 5-3, 5-5, 5-21
breather 9-3
bucket holder kit 1-63
bucket seat 1-23
bulb, halogen 4-5
bumper
 drive unit (motor) 8-3
 rubber 1-43, 5-7
 spring return 5-9
bumper, bed floor 1-35, 1-37
bushing 1-39, 1-41
 bronze 6-13
 nylon 1-53
 snap-in 1-53
 spindle 6-13
 steel 6-13
 urethane 1-29, 1-31, 6-11, 6-13, 6-19
buzzer, reverse 4-11, 4-15

C

cab door 1-73, 1-77
cab liner 1-75
cab mirror 1-83
cab mirror lh 1-83
cab overhead console 1-91
cab wiper kit 1-93
calibration test module 11-3
camera 4-17
cap
 dust 7-5, 7-7
 key switch 4-13
cap, quick connector 7-11, 7-13
card, safety first 11-5
cargo box kit 1-49
cargo box kit, long 1-51
cargo box, corner, ds 1-49, 1-51
cargo box, side panel, ds, medium 1-49
cargo box, corner, ps 1-49, 1-51
cargo box, side panel, ps, medium 1-49
case
 gear 9-3
charger bezel tool 11-3
clevis pin 5-13, 5-17
clevis, upper delta 6-13
clip
 body trim 1-15
 wheel cover 2-5
clip, score card 6-9
clutch cam installation tool 11-3
clutch tool kit 11-3
compression gauge 11-5
compressor, piston ring 11-5
compressor, valve spring 11-7
console cover 1-23
continuity tester 11-5

cover
 console 1-23
 dust 5-3, 5-5, 5-21, 6-17
 rocker switch hole 1-91, 4-11
cowl 1-11
cup holder, seat 1-23
cup, spring 5-9
cushion, shock absorber 6-19
cylinder, master 5-13, 5-17
cylinder, wheel 5-3, 5-5, 5-21

D

dash 1-19
dash display, Koso 4-11
decals 1-107, 1-109, 1-111, 1-113, 1-119, 1-121
 bed load warning 3-3
 crush area warning 3-3, 3-5
 electrical cover safety 3-5
 filter log 7-27
 inspect log 7-27
 nameplate 1-15, 3-7, 3-9
 on/off 4-11
 Tow/Run switch 3-5
 trailer hitch 1-67, 1-69, 3-5
 wheel cover 2-5
Decal, Warning, Rear View Camera 3-5
deionizer 7-27
 cartridge 7-27
delta A-plate 6-11
delta A-plate sub-assembly 6-11
diagnostic port 7-5, 7-7
differential gear 9-3
differential housing 9-3
diode 4-23
door, charger port 1-15
door, glove box 1-19
drive clutch holder tool 11-3
drive clutch hub puller 11-3
drive clutch puller 11-3
drive unit bumper 8-3
driven clutch cam puller 11-3
driven clutch puller plug 11-3
drum, brake 5-3, 5-5, 5-21
dry moly lubricant 11-5
dust cap 7-5, 7-7
dust cover 5-3, 5-5, 5-21, 6-17

E

eccentric bolt 6-13
E-clip 5-15, 5-19
equalizer rod 5-7
extension, spring latch 1-35

F

fender, front, lh 1-15

fender, front, rh 1-15
fender, inner 1-25
fender, rear 1-27
fitting, thread-forming grease 6-13
flasher, turn signal, 12-volt 4-9
flat bed trim kit 1-47
flat trim kit 1-45
floor mat 1-19
frame
 corner cap 1-23
frame weldment, front 1-21
frame, bed 1-35
front spring retainer plate 6-13
fuse
 10-amp 4-9
 15-amp 7-5, 7-7
 1-amp 7-5, 7-7
 20-amp 4-7, 7-5, 7-7
 2-amp 7-5, 7-7
 30-amp 7-5, 7-7
fuse block 7-5, 7-7
fuse, mini, 7.5A 4-7
fuse, mini, 10A 4-7, 4-9
fuse, mini, 15A 1-89, 4-7

G

gasket
 liquid 9-3, 11-5
 plug 9-3
gauge, compression 11-5
gear
 differential 9-3
 differential idler 9-3
 differential output 9-3
gear yoke 11-5
gearcase 9-3
grill 1-15
grip, pencil 6-9
grip, tilt latch hand 1-35
grommet 5-7
guide ring adhesive 11-3

H

hanger, brake cable 5-15, 5-19
hardware
 axle 5-3, 5-5, 5-21
harness, brake pedal switch 4-9
harness, taillight 4-9
headlight 4-5
headlight bezel, lh 1-17
headlight bezel, rh 1-17
headlight guard kit 1-5
heater, defogger 4-23
heater, defogger kit 4-23
hinge pin 1-57, 1-65

INDEX

hinge plate 1-23
hitch, trailer 1-67
hitch, trailer, ball 1-71
hold-down rod, battery 7-15, 7-17, 7-19, 7-21
hold-down, brake shoe 5-3, 5-5, 5-21
holder, license plate 1-9
horn bracket 4-9
housing
 differential 9-3
hub 6-17
hub bearing 6-17
hydraulic shoe 5-3, 5-5, 5-21
hydrometer 11-5

I
idler gear, differential 9-3
input shaft 9-3
instrument panel wire harness 4-11
instrument panel, koso 4-11
intermediate shaft 9-3
internal retaining ring pliers 11-5
isolator, shock damper 6-19

K
key switch cap 4-13
key switch, uncommon 4-13
kick plate, body 1-23
kingpin 6-13
kit
 accelerator pivot rod 5-9
 axle adjuster 5-3, 5-5, 5-21
 axle hardware 5-3, 5-5, 5-21
 CHMSL 1-119, 1-121
 decals 1-107, 1-109, 1-111, 1-113, 1-119, 1-121
 glass doors 1-73, 1-77
 hand pump, SPWS 7-27
 hydraulic shoe 5-3, 5-5, 5-21
 interior light 1-119, 1-121
 ladder rack 1-119, 1-121
 rear receiver hitch 1-69
 shelf 1-119, 1-121
 shock absorber cushion 6-19
 trailer hitch 1-67

L
ladder rack kit 1-61
lamp, stop, turn, tail 4-9
latch 1-19
latch plate 1-29
latch plate, tilt bed 1-43
leaf blower holder kit 1-59
lever
 park brake 5-15, 5-19
license frame kit 1-9

license plate 1-9
license plate holder 1-9
light
 strobe 1-99
 water quality 7-27
limit switch 4-9
link, rack and pinion drag 6-3
liquid gasket 9-3, 11-5
lubricant, dry moly 11-5
lubricant, moly-teflon 8-3, 11-5
lug nut 2-3
lug stud 9-3

M
master cylinder 5-13, 5-17
mat, floor 1-19
MCOR 7-3
meter, volt ohm 11-7
mirror 1-83
module
 calibration test 11-3
moly-teflon lubricant 11-5
motor bumper 8-3
mounting block, brake 5-7

N
nameplate decal 1-15, 3-7, 3-9
nut, lug 2-3

P
pad
 brake pedal 5-7
paint, underbody (black) 11-5
paint, touch-up 1-13
pan, seat 1-23
park brake 5-3, 5-5, 5-21
park brake lever 5-15, 5-19
pedal, brake 5-7
pencil grip 6-9
pin
 bow tie locking 5-13, 5-15, 5-17, 5-19
 clevis 5-15, 5-19
pin, clevis 5-13, 5-17
pin, hinge 1-57, 1-65
piston ring compressor 11-5
piston ring pliers 11-5
pivot support bearing 5-9
plate
 backing 5-3, 5-5, 5-21
 front spring retainer 6-13
 hinge 1-23
 latch 1-43
 license 1-9
plate, Tow/Run switch 7-9
pliers

internal retaining ring 11-5
piston ring 11-5
retaining ring 11-5
plug
 driven clutch puller 11-3
port, diagnostic 7-5, 7-7
prop rod 1-29
prop rod track 1-29
protector spray, battery terminal 11-3
puller
 bearing 11-3
 drive clutch 11-3
 drive clutch hub 11-3
 driven clutch cam 11-3
 seal 11-5

R
race, front hub bearing 6-17
rack and pinion drag link 6-3
ratchet, park brake 5-9
rear window screen, cab 1-101
rear window with slider, cab 1-103
rear window, cab 1-105
receiver hitch 1-69
receptacle, accessory 4-7
reflector, yellow 4-21
reflector, amber 4-5
reflector, red 4-21
reflector, red, rectangle 4-21
refractometer 11-5
relay 7-11, 7-13
relay 48v 4-11, 7-11, 7-13
relay, 12-volt 4-9
remover, bearing and oil seal 11-3
retainer
 accelerator pedal spring 5-9
 shock absorber cushion 6-19
retaining ring 6-5
retaining ring pliers 11-5
return spring bumper 5-9
reverse buzzer 4-11, 4-15
ring
 retaining 6-5
rivet, blind push 7-11, 7-13
rocker switch 1-39, 1-41, 4-11
rocker switch (lights) 4-11
rod
 accelerator pivot 5-9
 battery hold-down 7-15, 7-17, 7-19, 7-21
 equalizer 5-7
 prop 1-29
rod, tie 6-11
Roof, LSV 1-75

INDEX

S

safety first card 11-5
score card clip 6-9
score card plate 6-9
seal
 lip 9-3
 oil 9-3
 vertical socket dust 6-3
seal puller 11-5
sealant 9-3
seat
 bucket 1-23
seat holder base 1-23
seat pan 1-23
seat support 1-23
seat, bearing 6-5
shaft
 input 9-3
 intermediate 9-3
shaft, steering 6-5
shield, boot 5-15
shim, latch plate 1-43
shock absorber 6-19
shock absorber cushion 6-19
shock absorber cushion retainer 6-19
shock damper isolator 6-19
side panel,ds,long 1-51
side panel,ps,long 1-51
sleeve 1-29, 1-31, 6-19
 delta A-plate 6-11
socket 6-3, 6-11
solenoid 7-11, 7-13
solenoid, 12-volt 4-23
spacer
 accelerator pivot rod 5-9
spindle 6-13
spindle asm 6-13
spray, battery terminal protector 11-3
spring
 accelerator return 5-9
 brake return 5-7, 5-15, 5-19
 compression 6-9
 extension 1-35
 shoe to shoe 5-3, 5-5, 5-21
 steering shaft compression 6-5
spring cup 5-9
spring mounting plate 6-13
SPWS manifold 7-23, 7-25
stake side 1-57, 1-65
stake side bracket 1-57, 1-65
stake side kit 1-57, 1-65
stake side panel,front 1-57, 1-65
stake side panel,lh 1-65
stake side panel,rh 1-65
stake side trim kit 1-57, 1-65

stake side trim, center 1-57, 1-65
stake side trim, rh 1-65
stake side trim,lh 1-65
static grip kit 1-59
steel bushing 6-13
steering column 6-5
steering column bearing press tool 11-7
steering column retaining ring tool 11-7
steering column weldment 6-5
steering gear assembly 6-3
steering shaft 6-5
steering shaft compression spring 6-5
steering wheel puller tool 11-7
strap, A-plate 6-11
strobe light 1-99
stud
 lug 9-3
switch
 key, uncommon 4-13
 light rocker 4-11
 limit 4-9
 rocker 1-39, 1-41, 4-11
 Tow/Run 7-9
 turn signal 4-9
switch rubber boot 7-9

T

12-volt solenoid 4-23
tailgate 1-53
tailgate handle 1-53
tailgate latch,lh 1-49, 1-51
tailgate latch,rh 1-49, 1-51
tailgate teather kit 1-55
tailskirt 1-27
terminal block 4-7, 7-11, 7-13
tester, continuity 11-5
thermometer, battery 11-3
thread-forming grease fitting 6-13
thrust bearing 6-13
tie down kit 1-59
tie rod 6-11
tie wrap 1-89, 4-23
tilt latch hand grip 1-35
tool
 accelerator pedal adjustment 11-3
 belt tensioning, starter/generator 11-7
 charger bezel 11-3
 clutch cam installation 11-3
 drive clutch holder 11-3
 steering column bearing press 11-7
 steering column retaining ring 11-7
 steering wheel puller 11-7
 transaxle axle seal 11-7
 transaxle pinion seal 11-7
 transmission 11-7
tool kit, clutch 11-3

tool rack kit 1-59
toolbox 1-123
toolbox kit 1-61
touch-up paint 11-5
Tow/Run switch 7-9
Tow/Run switch plate 7-9
track, prop rod 1-29
trailer hitch 1-67
trailer hitch ball 1-71
trailer hitch brace 1-67
transaxle axle seal tool 11-7
transaxle pinion seal tool 11-7
transaxle, 9-3
transmission tool 11-7
tube
 axle 9-3
turn signal switch 4-9

U

U-bolt 6-19
upper delta clevis 6-13
urethane bushing 1-29, 1-31, 6-11, 6-13, 6-19

V

valve spring compressor 11-7
valve stem 2-3
vent,door,cab 1-81
vertical socket dust seal 6-3
volt ohm meter 11-7

W

warning beacon,cab 1-99
washer,cab 1-95
water quality light 7-27
wedge, bearing puller 11-3
weldment, receiver hitch 1-69
wheel 2-3
wheel cover 2-5
wheel cylinder 5-3, 5-5, 5-21
work light,front,cab 1-97
work light,rear,cab 1-97
wrap, tie 1-89, 4-23

Y

yoke, gear 11-5



Club Car, Inc.
P.O. Box 204658
Augusta, GA 30917-4658
USA

Web www.clubcar.com
Phone 1.706.863.3000
1.800.ClubCar
Int'l +1 706.863.3000
Fax 1.706.863.5808