



A Textron Company

FLEET TXT ELiTE

Service Parts Manual

SERVICE PARTS MANUAL

48V ELECTRIC TXT ELITE

FLEET

STARTING MODEL YEAR 2017

CALIFORNIA Proposition 65 Warning

WARNING: Motor vehicles may contain fuels, oils and fluids, battery posts, terminals, and related accessories which contain lead and lead compounds and other chemicals identified by the State of California to potentially cause cancer, birth defects, and other reproductive harm. These chemicals are found in vehicles, vehicle parts and accessories, both new and replacements. During maintenance, these vehicles generate used oil, waste fluids, grease, fumes, and particulates, all identified by the State of California to potentially cause cancer, birth defects, and other reproductive harm.

Never modify the vehicle in any way that will alter the weight distribution of the vehicle, decrease its stability or increase the speed beyond the factory specifications. Such modifications can cause serious personal injury or death. Textron Specialized Vehicles prohibits and dis-claims responsibility for any such modifications or any other alteration which would adversely affect the safety of the vehicle. TSV reserves the right to incorporate engineering and design changes to products in this manual, without obligation to include these changes on units sold previously.

The information contained in this manual may be revised periodically by TSV, and therefore is subject to change without notice.

TSV DISCLAIMS LIABILITY FOR ERRORS IN THIS MANUAL, and SPECIFICALLY DISCLAIMS LIABILITY FOR INCIDENTAL AND CONSEQUENTIAL DAMAGES resulting from the use of the information and materials in this manual.

These are the original instructions as defined by 2006/42/EC.

TO CONTACT US:

Textron Specialized Vehicles, Inc.
1451 Marvin Griffin Road
Augusta, Georgia, USA 30906-3852

NORTH AMERICA:

Technical Assistance & Warranty PHONE: 1-800-774-3946, FAX: 1-800-448-8124

Service Parts PHONE: 1-888-438-3946, FAX: 1-800-752-6175

International: PHONE: 001-706-798-4311, FAX: 001-706-771-4609

GENERAL INFORMATION

This vehicle has been designed and manufactured in the United States of America (USA). The Standards and Specifications listed in the following text originate in the USA unless otherwise indicated.

The use of non-Original Equipment Manufacturer (OEM) approved parts may void the warranty.

Failure to properly maintain batteries may void the warranty. Refer to the battery manual for instructions on the proper maintenance and care of the batteries.

BATTERY PROLONGED STORAGE

Improper storage may damage, destroy or cause permanent loss of battery capacity. Do not exceed storage time or temperature limits. Batteries must be charged to the correct level before storage. Storing fully depleted batteries will make them permanently unusable.

STORAGE PREPARATION

The optimum storage temperature range is between 65°F and 82°F (18°C and 28°C).

In cold climates, fully charge the battery module. Make sure that the charging operation is complete and there are no faults displayed on the charger. The green light on the charger should be on indicating the charge cycle is complete.

In hot climates, store the vehicle with a 30% to 50% charge of battery pack capacity.

The storage time for properly charged Lithium-Ion batteries supplied with this vehicle varies based on the ambient temperature.

Temperature	Length of Storage Time
-22°F to -4°F (-30°C to -20°C)	One month at 100% battery charge, all accessories turned off.
-4°F to 113°F (-20°C to 45°C)	Six months at 100% battery charge, all accessories turned off.
113°F to 140°F (45°C to 60°C)	One month at 30% - 50% charge, all accessories turned off.

BATTERY DISPOSAL

Lithium-Ion batteries are recyclable. Return discarded batteries to the distributor or manufacturer for recycling. Contact local or state environmental department for the disposal information.

TABLE OF CONTENTS

SECTION	Page No.
HOW TO USE THE SERVICE PARTS MANUAL.....	V
ACCELERATOR.....	A-1
BATTERY CHARGER.....	B-1
BODY.....	C-1
BRAKES.....	D-1
ELECTRICAL.....	E-1
ELECTRONIC SPEED CONTROL.....	F-1
FRONT SUSPENSION AND STEERING.....	G-1
MOTOR.....	H-1
REAR AXLE.....	J-1
REAR SUSPENSION.....	K-1
SEATING.....	L-1
TOW BAR.....	M-1
WEATHER PROTECTION.....	N-1
WHEELS AND TIRES.....	P-1
DECALS AND LABELS.....	R-1

HOW TO USE THE SERVICE PARTS MANUAL

This manual is divided into several sections:

- GENERAL INFORMATION
- ILLUSTRATED PARTS BREAKDOWN

The first section, GENERAL INFORMATION, contains the following information:

- WARRANTY INFORMATION
- GENERAL INDEX
- HOW TO USE THE SERVICE PARTS MANUAL

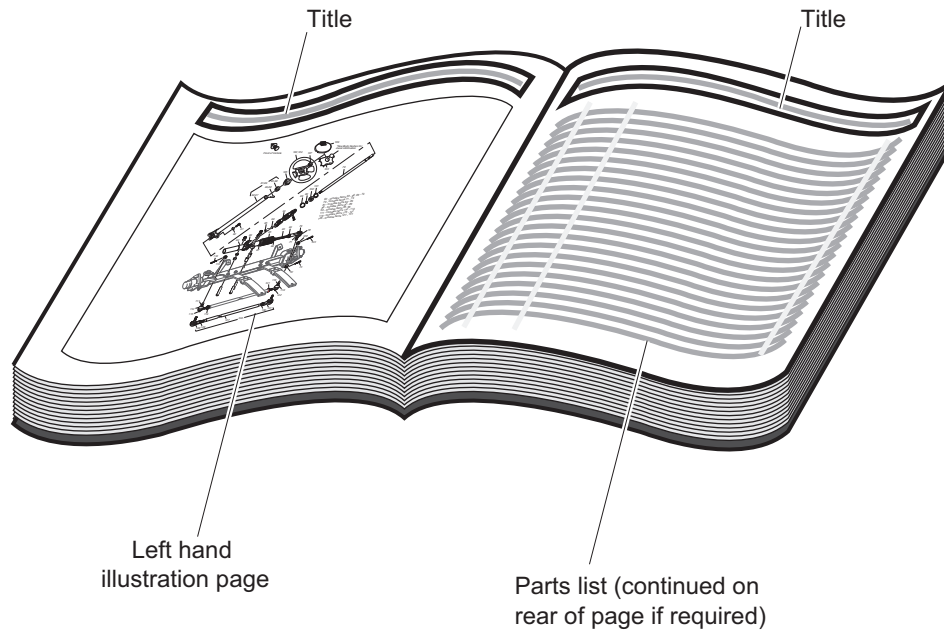
The second section, ILLUSTRATED PARTS BREAKDOWN, contains illustrations and parts lists for all systems of your vehicle.

USE OF THE MANUAL

To use this manual, consult the TABLE OF CONTENT to locate the information or illustration required.

Introduction of some revisions varies due to supply of components; therefore, it is possible that various combinations of components may be found that are not directly reflected by each illustration. Consult the illustration that best suits your situation and then contact the Service Parts Department. It is important that the serial number of your vehicle and its model number be supplied to Service Parts when ordering any replacement components.

HOW TO USE THE SERVICE PARTS MANUAL



1. WHEN THE PART NUMBER IS NOT KNOWN

- Determine the function and application of the part required. Turn to the General Index and select the most appropriate title.
- Turn to the page number indicated and locate the desired part on the illustration.
- From the illustration, obtain the item number assigned to the desired part. Refer to the accompanying description for specific information regarding the part.

2. IF YOU KNOW THE PART NUMBER

- Locate the part number or description in the appropriate column on the parts list page.

NOTE: Confirm the part selected is correct by verifying it with the illustration.

If an asterisk (*) appears in the part number column on the parts list page, read upward until a part number is found. The part number is the lowest assembly sold by Service Parts and the asterisk (*) indicates the part depicted is not available for purchase.

NOTE: Descriptions are indented under the assembly that they are used on. That assembly is, in turn listed under the assembly that it is used on. This process is repeated until the highest final assembly is reached.

To facilitate the maintenance and repair of the vehicle, a Technician's Repair and Service Manual is available from the Service Parts Department.

HOW TO USE THE SERVICE PARTS MANUAL

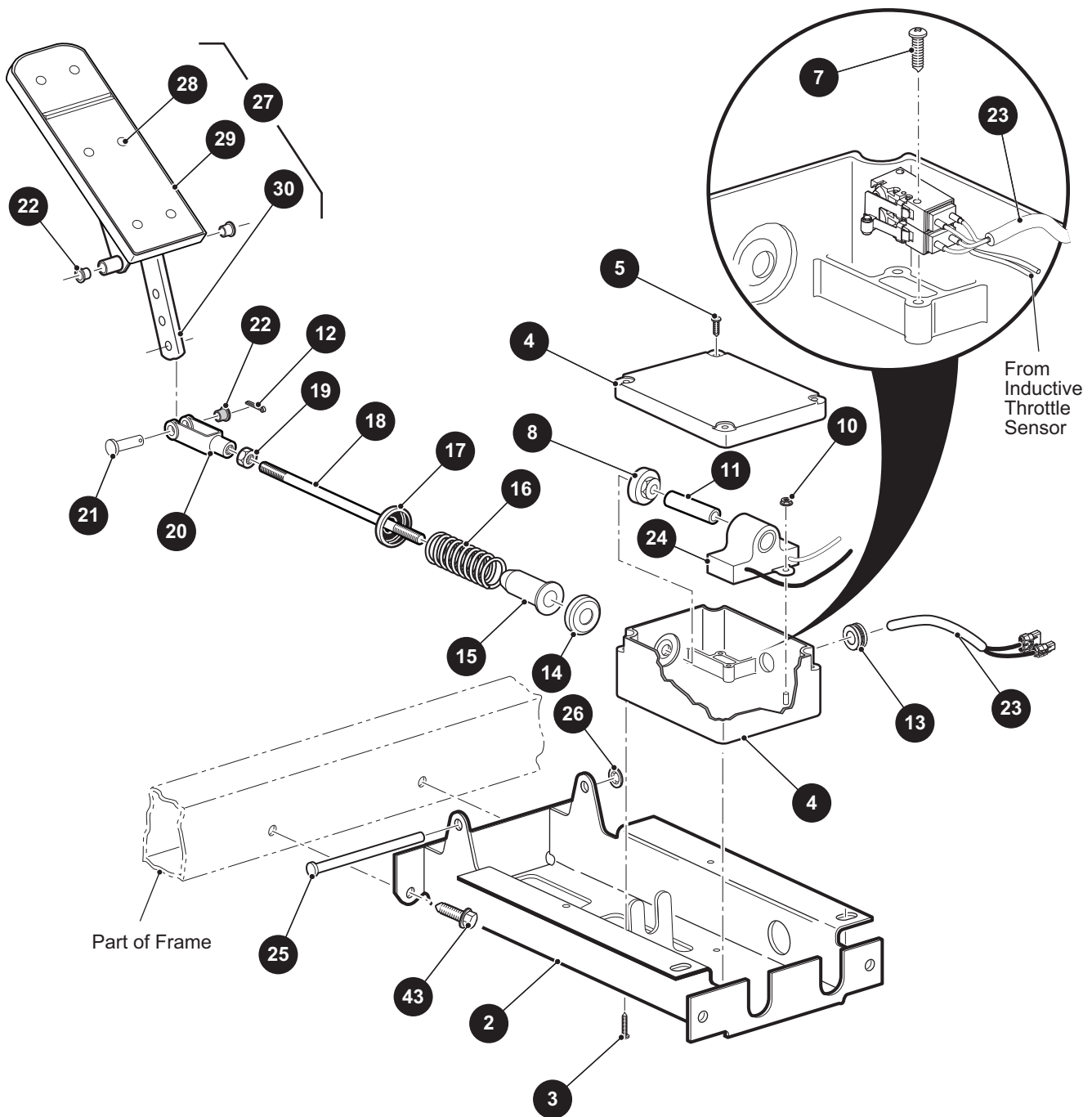
3. COLOR CODE FOR BODY COMPONENTS

The last two digits of the part number for the body part will denote the color code, locate the part number for the cowl, rear body, seat pod, side panel or seat wrap then locate your color in the list below, replace the last ** or XX with the two digit color code.

<u>CODE #</u>	<u>DESCRIPTION</u>
79	JACOBSEN ORANGE
11	BLACK
17	LIGHT BEIGE
18	MUSHROOM
19	PATRIOT BLUE PEARL
20	INFERNO RED METALLIC
26	STEEL BLUE PEARL
31	METALLIC CHARCOAL
35	SAFETY YELLOW
36	IVORY
37	FOREST GREEN
38	BRIGHT WHITE
39	FLAME RED
41	ELECTRIC BLUE
42	PLATINUM
43	BURGUNDY
44	ALMOND
51	SUNBURST ORANGE
52	BRITISH RACING GREEN
74	BARLEY GOLD
75	OASIS GREEN
76	JAVA BROWN

ACCELERATOR

- 1 PEDAL BOX ASSEMBLY includes items 2 - 27
- 23 PEDAL HARNESS includes item 24
- 27 ACCELERATOR PEDAL ASSEMBLY includes items 28 - 30



THE USE OF NON U.L. PARTS WILL VOID ANY U.L. LISTING.

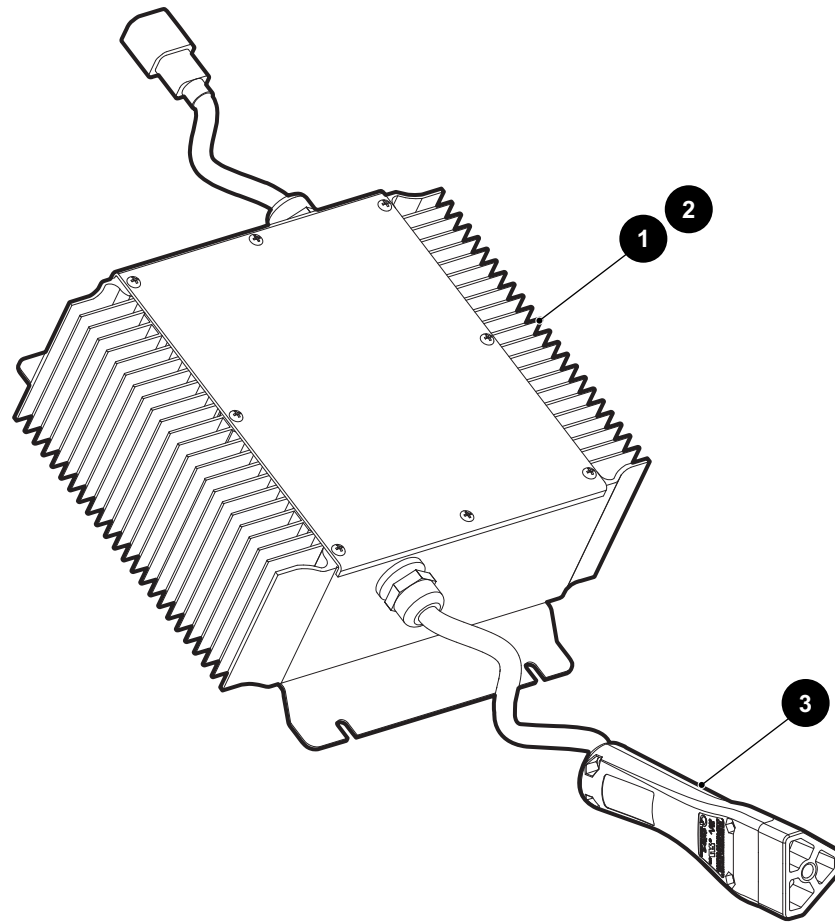
When ordering parts, please specify the model and serial number of the product.

* Indicates a component that is not available as an individual part.

*** Indicates consult Customer Service Department for additional information.

ITEM	PART NO.	1 2 3 4 5	DESCRIPTION	QTY.
1	654643		PEDAL BOX ASSEMBLY (INCLUDES ITEMS 2 - 27)	1
2	652241G03		ACCELERATOR PEDAL BRACKET	1
3	01051G01		PAN HEAD PHILLIPS SCREW, #8 - 10 X 1/2" LG	4
4	25853G01		PEDAL BOX AND COVER	1
5	00684G6		TRUSS HEAD PHILLIPS SCREW (SS), #8 - 32 X 3/4" LG	2
6				
7	01050G02		PAN HEAD TORX SCREW, #4 - 20 X .62" LG	2
8	28444G01		ACCELERATOR ROD CAM	1
9				
10	00983G01		SELF THREADING NUT, .38"	2
11	602484		PLUNGER	1
12	10387G3		COTTER PIN, 3/32" X 3/4" LG	1
13	654645		RUBBER GROMMET	1
14	17677G1		SPRING RETAINER	1
15	17979G1		BUSHING, .75" X 2" LG	1
16	73046G01		COMPRESSION SPRING	1
17	17677G2		SPRING RETAINER, 3/8"	1
18	73332G01		ACCELERATOR ROD	1
19	00532G4		HEX NUT, 5/16" - 24	1
20	10385G4		CLEVIS YOKE (ADJUSTABLE)	1
21	10386G3		CLEVIS PIN, 5/16" X 13/16" LG	1
22	17838G1		NYLON BUSHING, .37" X .31" LG	3
23	654644		PEDAL HARNESS (INCLUDES ITEM 24)	1
24	647278		INDUCTION THROTTLE SENSOR	1
25	74432G01		PEDAL PIVOT PIN	1
26	12064G6		PUSH NUT, 5/16"	1
27	25799G03		ACCELERATOR PEDAL ASSEMBLY (INCLUDES ITEMS 28 - 30)	1
28	16409G1		OVAL RIVET, 3/16" X 7/16" LG	6
29	27512G01		ACCELERATOR PEDAL PAD	1
30	652824		ACCELERATOR PEDAL	1

BATTERY CHARGER



BATTERY CHARGER

THE USE OF NON U.L. PARTS WILL VOID ANY U.L. LISTING.

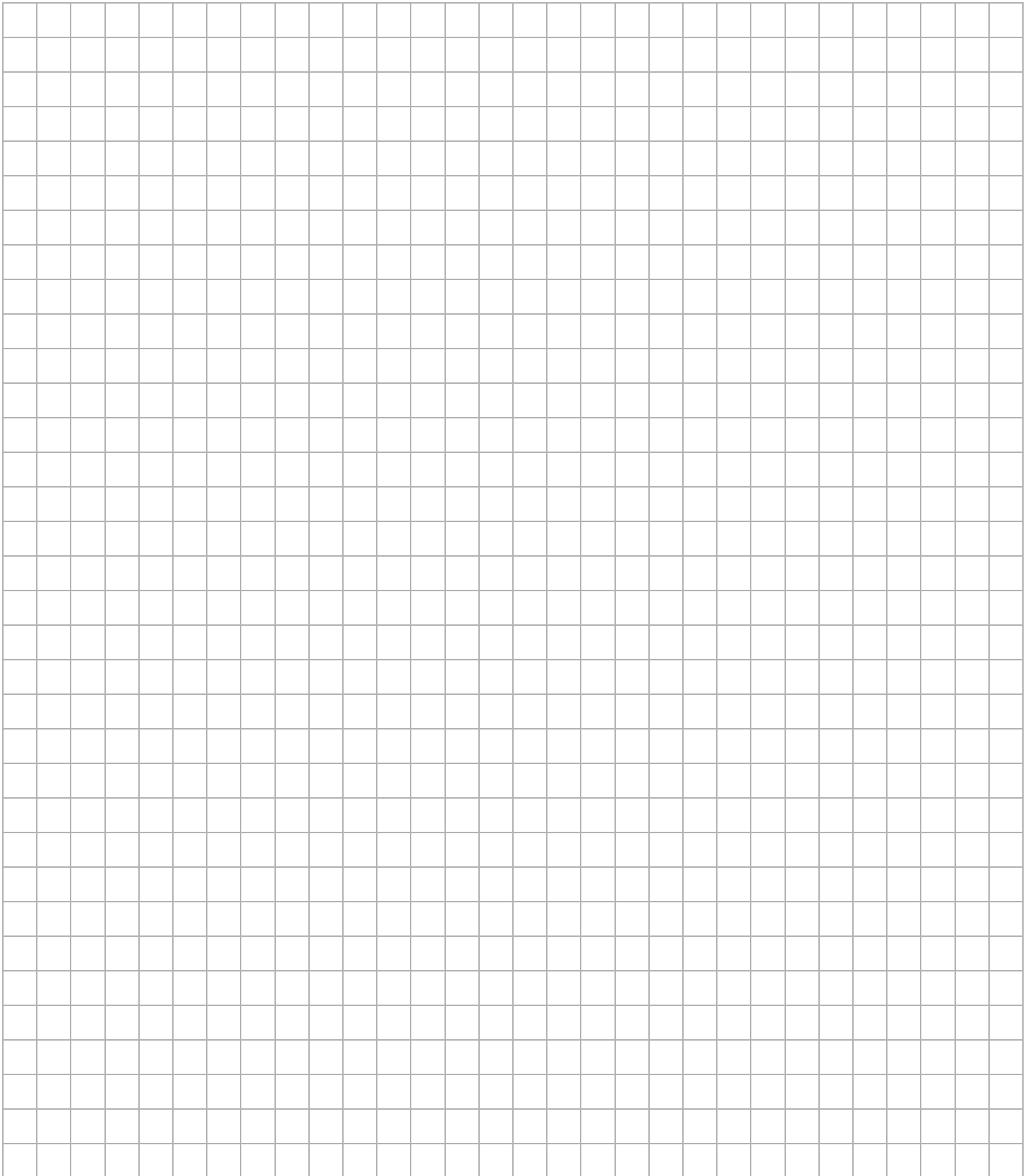
When ordering parts, please specify the model and serial number of the product.

* Indicates a component that is not available as an individual part.

*** Indicates consult Customer Service Department for additional information.

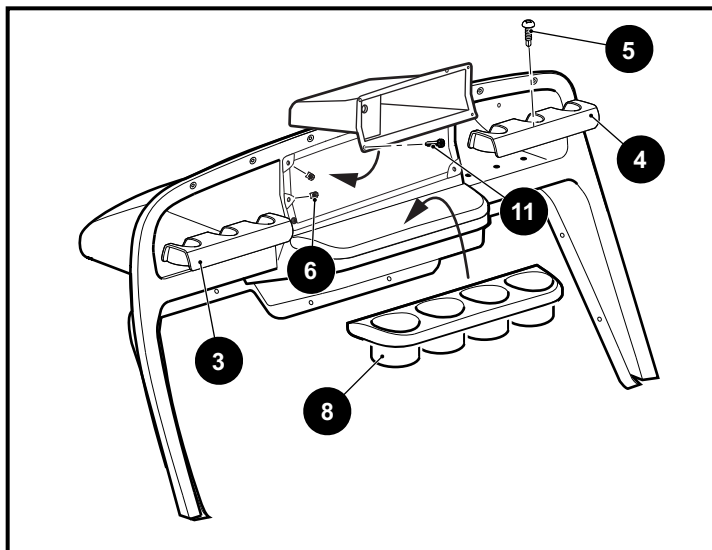
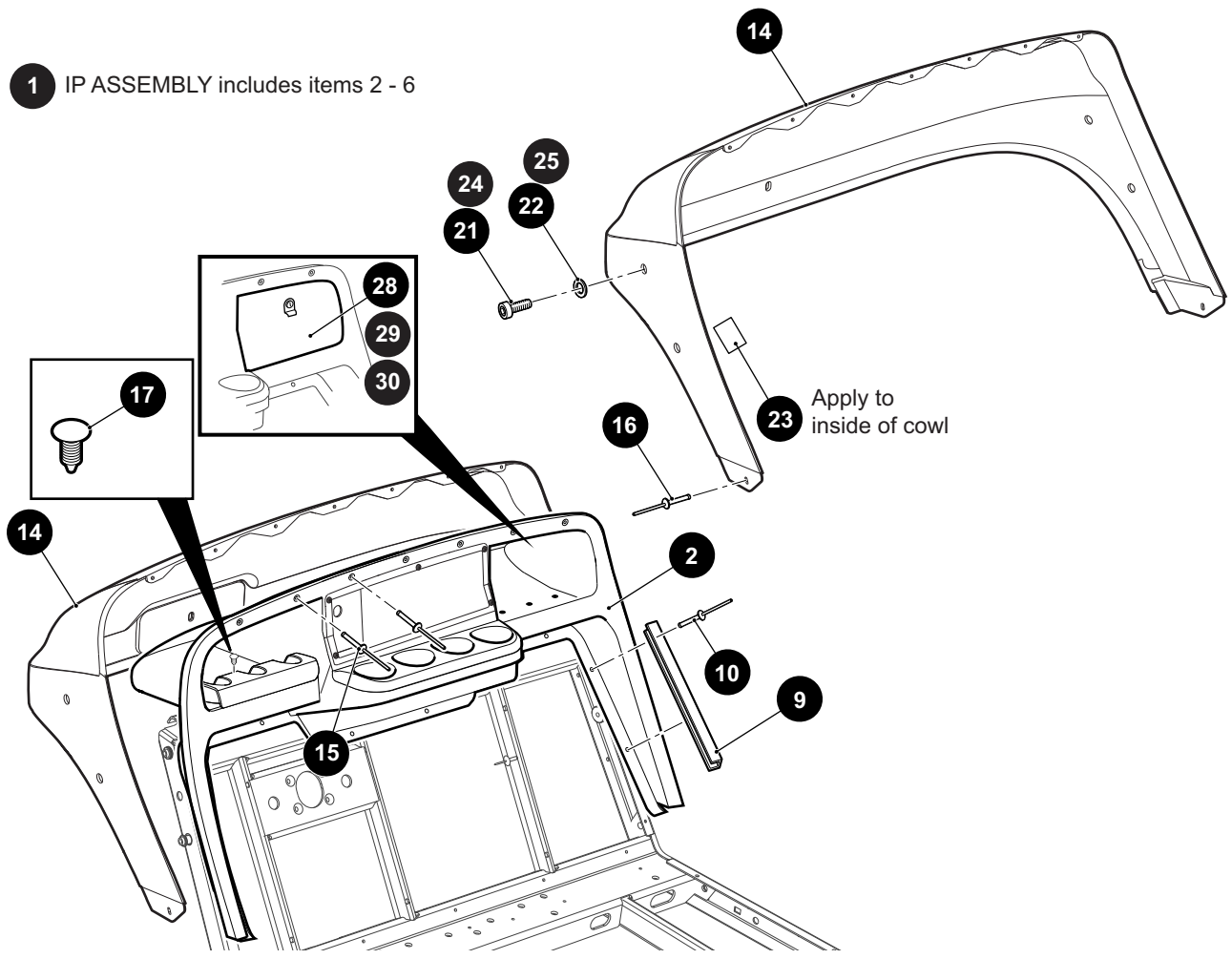
ITEM	PART NO.	1 2 3 4 5	DESCRIPTION	QTY.
1	653213		BATTERY CHARGER, 51V, 3 METER CORD.....	1
2	653216		BATTERY CHARGER, 51V, 5.5 METER CORD.....	1
3	657667		PADDLE.....	1

Notes:



A large grid of graph paper for taking notes. The grid consists of 24 columns and 32 rows of small squares, providing a structured area for recording information.

1 IP ASSEMBLY includes items 2 - 6



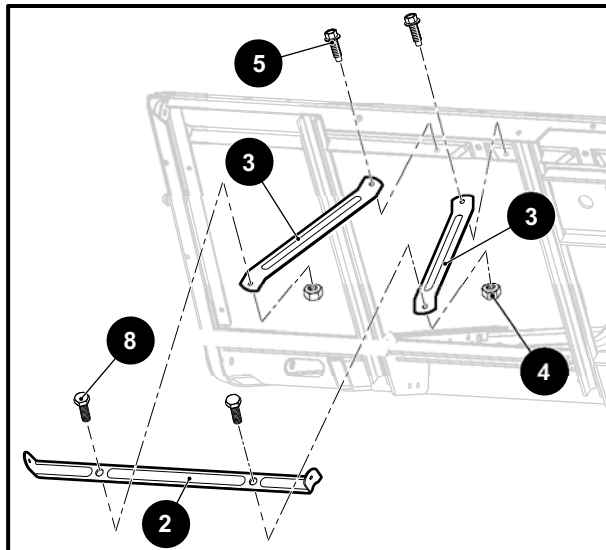
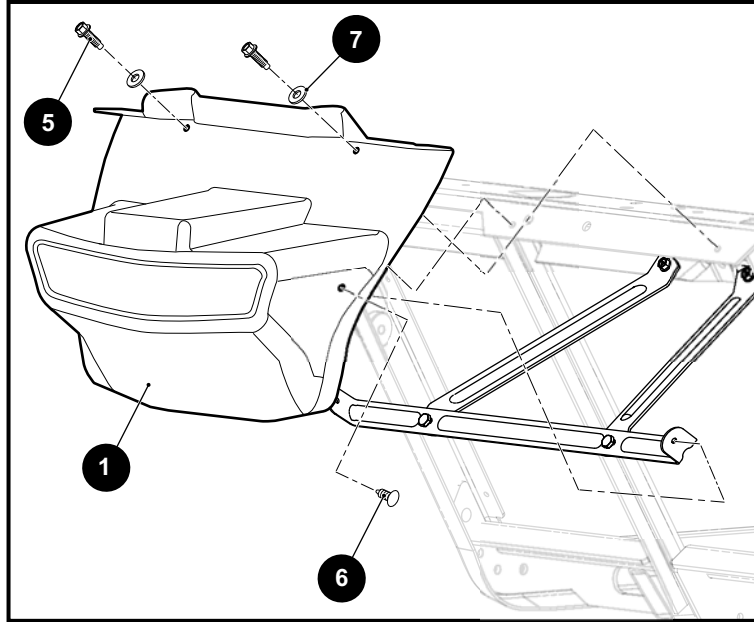
THE USE OF NON U.L. PARTS WILL VOID ANY U.L. LISTING.

When ordering parts, please specify the model and serial number of the product.

* Indicates a component that is not available as an individual part.

*** Indicates consult Customer Service Department for additional information.

ITEM	PART NO.	1 2 3 4 5	DESCRIPTION	QTY.
1	628017		INSTRUMENT PANEL ASSEMBLY (INCLUDES ITEMS 2 - 6).....	1
2	628010		INSTRUMENT PANEL ASSEMBLY WITH COMPARTMENT	1
3	641632G01		BALL HOLDER (DRIVER SIDE).....	1
4	641632G02		BALL HOLDER (PASSENGER SIDE)	1
5	00614G3		PAN HEAD PHILLIPS TAPPING SCREW, #8 - 15 X 3/8" LG	4
6	71364G02		'J' TYPE SPEED NUT, #8 - 15 X .198" LG	5
7				
8	628023		CUP HOLDER.....	1
9	71115G01		TRIM	2
10	71055G01		RIVET, 3/16" X .985" DIA.....	11
11	608290		PAN HEAD PHILLIPS TAPPING SCREW, #10 - 16 X 3/4" LG	5
12				
13				
14	619730G0XX		COWL (see COLOR CODES in HOW TO USE section)	1
15	71055G01		RIVET, 3/16" X .985" DIA.....	7
16	10570G11		RIVET (SS), 3/16" X .70"	2
17	16816G2		RATCHET RIVET, .25" X .887"	2
18				
19				
20				
21	00438G6		HEX HEAD BOLT (WITH TOP), 5/16" - 18 X 3/4" LG.....	2
22	00571G2		FLAT WASHER, 5/16".....	2
23	71781G02		VINYL TAPE.....	2
24	71056G01		TRUSS HEAD MACHINE SCREW (WITHOUT TOP), 5/16" - 18 X .62" LG...	4
25	00570G2		FLAT WASHER, 5/16".....	4
26				
27				
28	75459G01		GLOVE BOX (DRIVER/PASSENGER SIDE).....	1
29	75459G02		GLOVE BOX (DRIVER SIDE).....	1
30	75459G03		GLOVE BOX (PASSENGER SIDE)	1



THE USE OF NON U.L. PARTS WILL VOID ANY U.L. LISTING.

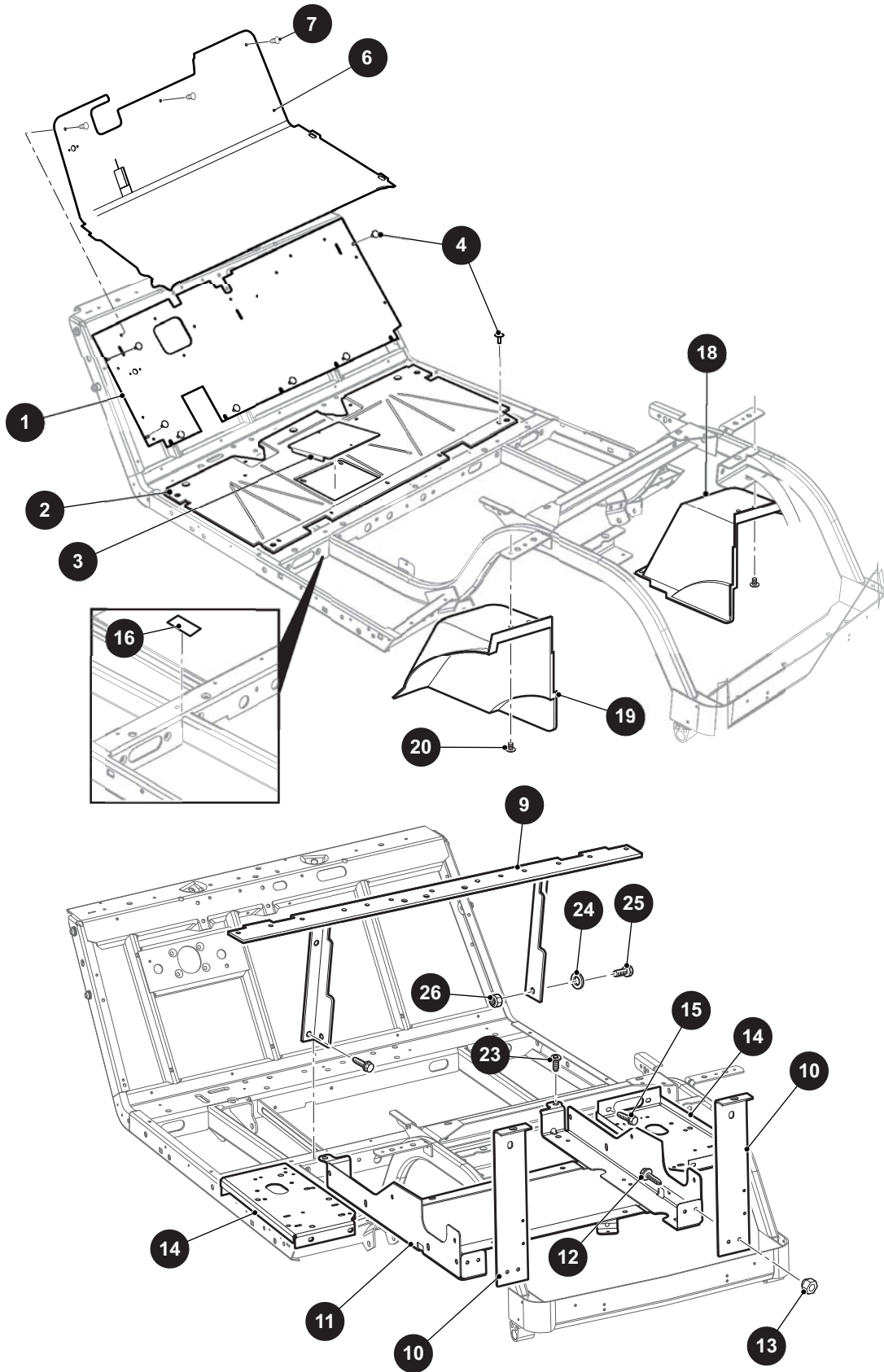
When ordering parts, please specify the model and serial number of the product.

* Indicates a component that is not available as an individual part.

*** Indicates consult Customer Service Department for additional information.

ITEM	PART NO.	1 2 3 4 5	DESCRIPTION	QTY.
1	624607		FRONT SHIELD.....	1
2	627769		SHIELD BRACKET	1
3	70725G02		FRONT SHIELD BRACE	2
4	14390G4		LOCK NUT, 1/4" - 20.....	2
5	01038G01		HEX HEAD WASHER SCREW, 1/4" - 20 X 11/16" LG	4
6	15058G1		RIVET, 3/16" X .45" LG	2
7	16469G1		FLAT WASHER, 1/4"	2
8	00414G6		HEX HEAD BOLT, 1/4" - 20 X 3/4" LG	2

BODY



THE USE OF NON U.L. PARTS WILL VOID ANY U.L. LISTING.

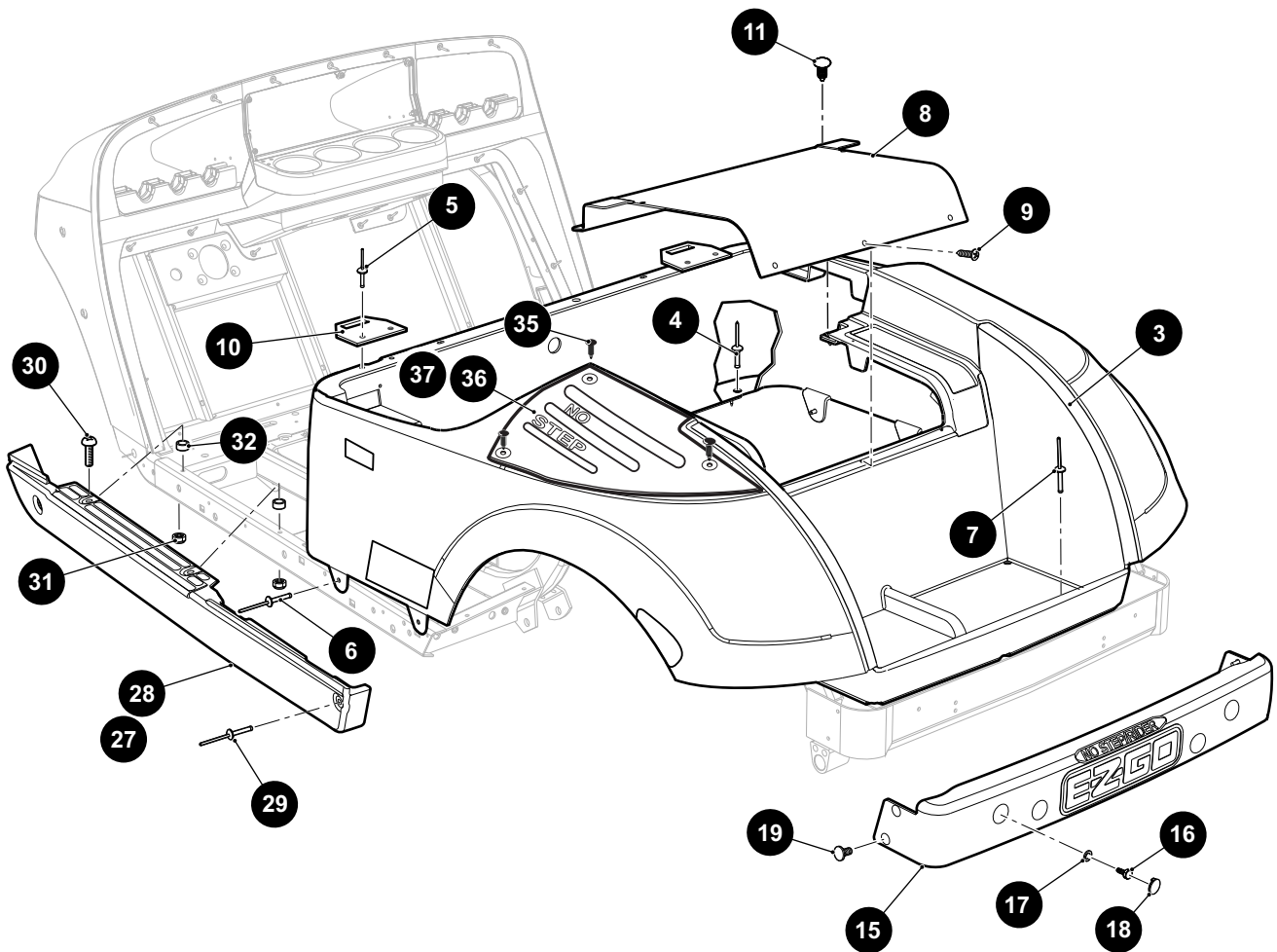
When ordering parts, please specify the model and serial number of the product.

* Indicates a component that is not available as an individual part.

*** Indicates consult Customer Service Department for additional information.

ITEM	PART NO.	1 2 3 4 5	DESCRIPTION	QTY.
1	641260		UPPER FLOORPAN	1
2	70451G01		LOWER FLOORPAN	1
3	70452G01		ACCESS COVER.....	1
4	14601G11		RIVET (ALUMINUM), 3/16" X 9/16" LG	16
5	637535G01		FLOORMAT	1
6				
7	16816G1		RATCHET RIVET, .25" X .680"	3
8				
9	70441G01		SEAT FRAME	1
10	70090G02		REAR SUPPORT	4
11	663490		BATTERY RACK WELDMENT	1
12	13437G9		FLANGED HEX HEAD BOLT, 1/4" - 20 X .75" LG	4
13	14390G4		LOCK NUT, 1/4" - 20.....	4
14	70244G05		SPLASH PANEL.....	2
15	00715G2		FLANGED HEX HEAD BOLT, 5/16" - 18 X 4/5" LG	8
16	72910G01		CORROSION PATCH	2
17				
18	635054G02		FENDER LINER (PASSENGER SIDE).....	1
19	635054G01		FENDER LINER (DRIVER SIDE)	1
20	16816G2		RATCHET FASTENER, 1/4" X 3/4" LG.....	8
21				
22				
23	70200G01		TRUSS HEAD TORX SCREW, 3/8" - 16 X .75" LG	2
24	00559G8		FLAT WASHER, 5/8"	2
25	00438G6		HEX HEAD BOLT, 5/16" - 18 X 3/4" LG	2
26	11098G6		LOCK NUT, 5/16" - 18.....	2

1 REAR BODY includes item 3



THE USE OF NON U.L. PARTS WILL VOID ANY U.L. LISTING.

When ordering parts, please specify the model and serial number of the product.

* Indicates a component that is not available as an individual part.

*** Indicates consult Customer Service Department for additional information.

ITEM	PART NO.	1 2 3 4 5	DESCRIPTION	QTY.
1	625272G0XX		REAR BODY (INCLUDES ITEM 3) (see COLOR CODES in HOW TO USE section)	1
2				
3	624374		BAGWELL LINER.....	1
4	10570G10		RIVET (SS), 5/32" X 9/16" LG.....	5
5	10570G11		RIVET (SS), 3/16" X .70" LG.....	4
6	10570G12		RIVET (SS), 1/4" X 9/16" LG.....	2
7	633917		PLASTIC RIVET, 1/4" X 1" LG	2
8	71320G01		ACCESS COVER.....	1
9	01107G01		PAN HEAD TORX SCREW, #8 X .63" LG	5
10	71609G01		SEAT HINGE PLATE.....	2
11	16816G2		RATCHET FASTENER, 1/4" X 3/4" LG.....	2
12				
13				
14				
15	71578G01		REAR BUMPER.....	1
16	71102G01		HEX HEAD BOLT, 1/4" - 20 X 3/4" LG	4
17	00571G2		FLAT WASHER, 5/16".....	4
18	71514G01		BUMPER PLUG	4
19	14601G17		RIVET (ALUMINUM), 3/16" X 9/16" LG	4
20				
21				
22				
23				
24				
25				
26				
27	615239		ROCKER PANEL WITH SILL PLATE (DRIVER SIDE)	1
28	617333		ROCKER PANEL WITH SILL PLATE (PASSENGER SIDE).....	1
29	15058G6		BLACK RIVET (ALUMINUM), 3/16"	4
30	634161		BUTTON HEAD TORX BOLT, M6 - 1 X 30.5MM LG	4

BODY

THE USE OF NON U.L. PARTS WILL VOID ANY U.L. LISTING.

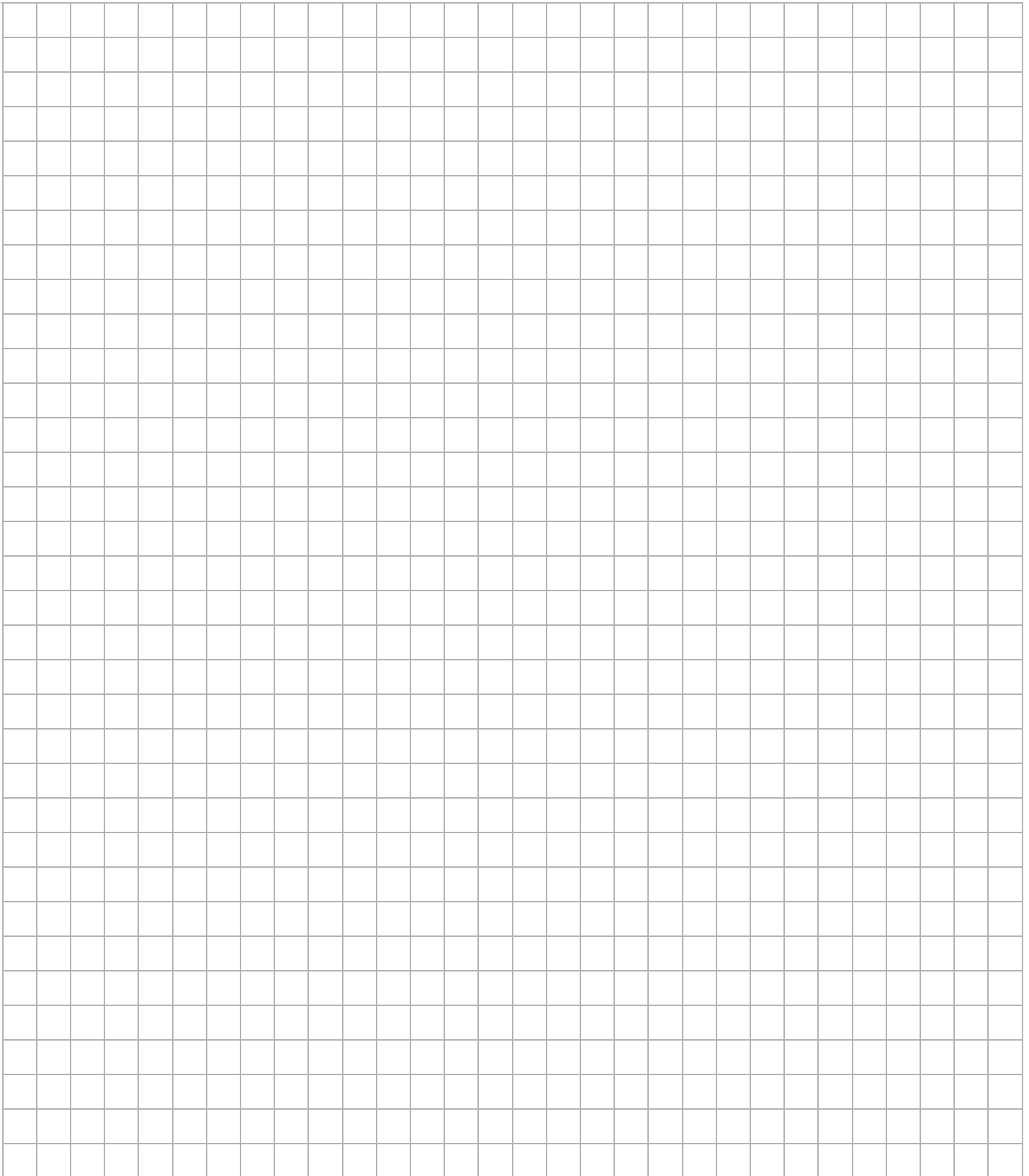
When ordering parts, please specify the model and serial number of the product.

* Indicates a component that is not available as an individual part.

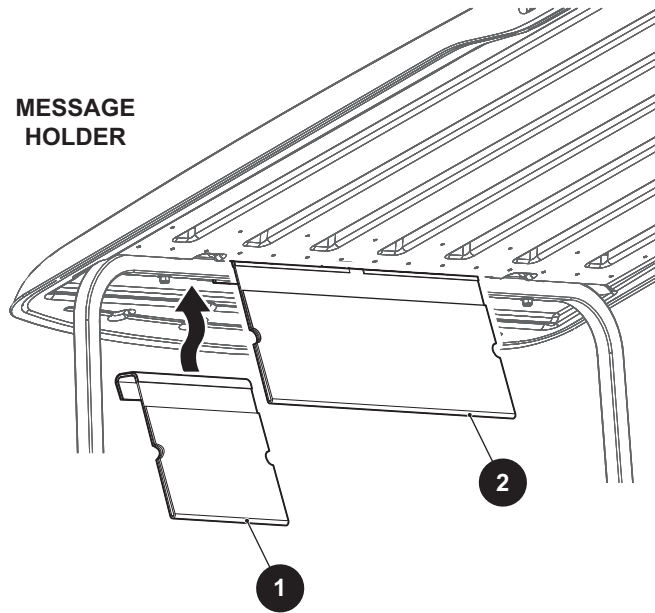
*** Indicates consult Customer Service Department for additional information.

ITEM	PART NO.	1 2 3 4 5	DESCRIPTION	QTY.
31	601476		LOCK NUT, M6 - 1.....	4
32	23726G4		SPACER, 5/16"	4
33				
34				
35	16816G2		RATCHET RIVET, .25" X .887"	6
36	625210		REAR SCUFF PAD (DRIVER SIDE)	1
37	625211		REAR SCUFF PAD (PASSENGER SIDE).....	1

Notes:

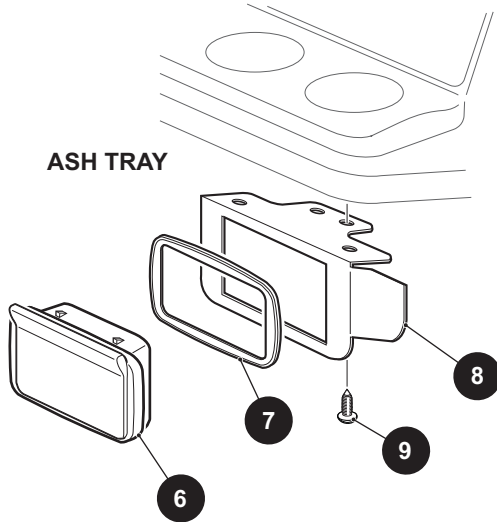
A large grid of graph paper, consisting of 30 columns and 30 rows of small squares, intended for taking notes.

MESSAGE
HOLDER




Front of Vehicle

ASH TRAY



5 ASH TRAY KIT includes items 6 - 9

THE USE OF NON U.L. PARTS WILL VOID ANY U.L. LISTING.

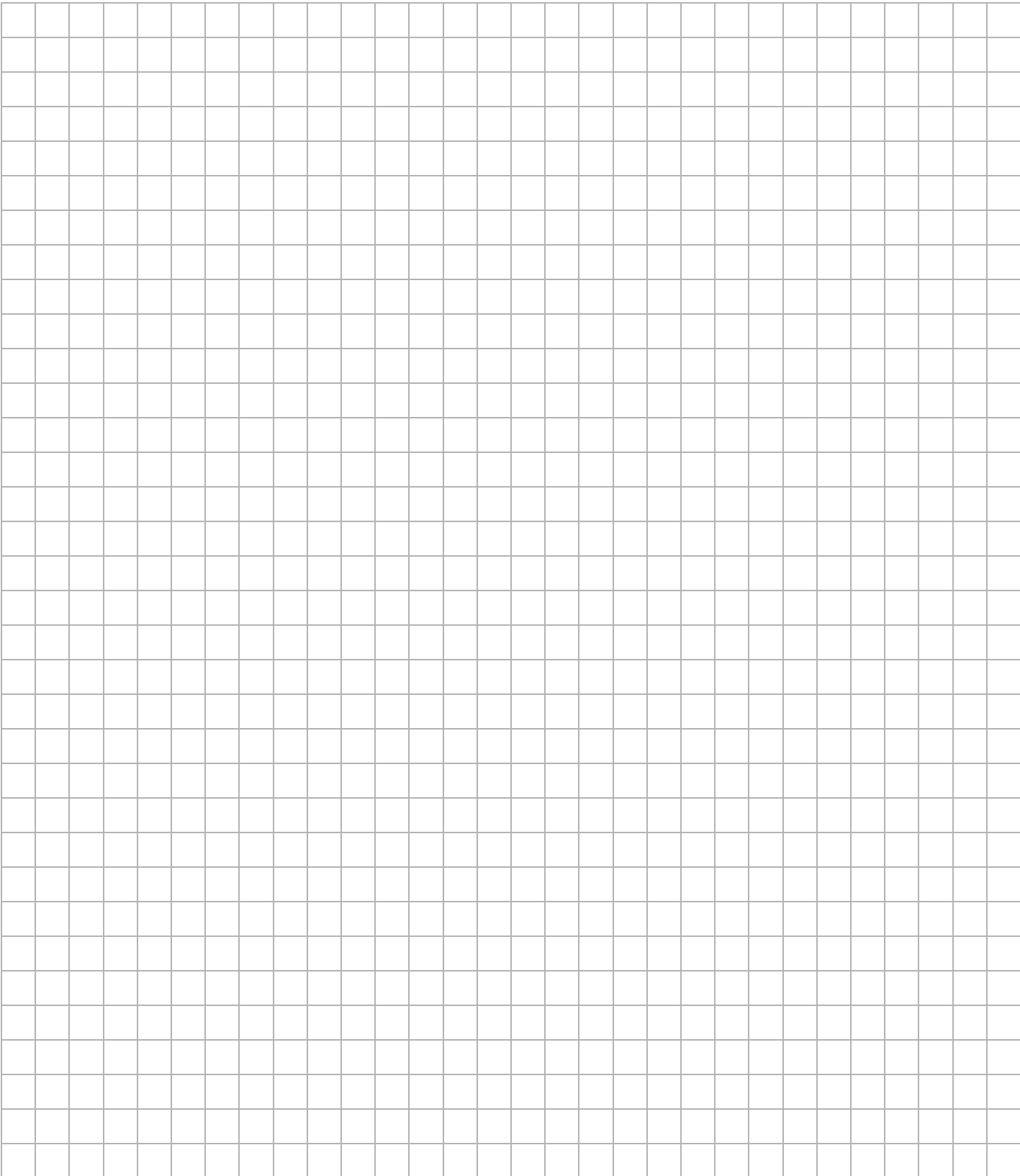
When ordering parts, please specify the model and serial number of the product.

* Indicates a component that is not available as an individual part.

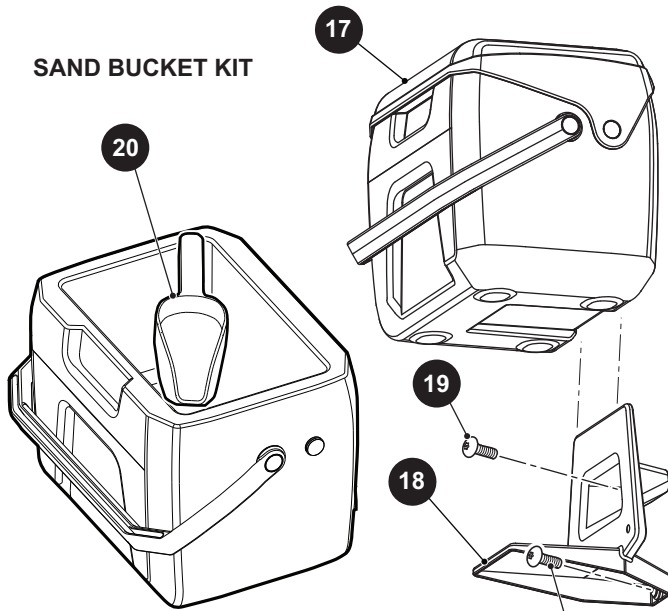
*** Indicates consult Customer Service Department for additional information.

ITEM	PART NO.	1 2 3 4 5	DESCRIPTION	QTY.
1	609308		MESSAGE HOLDER	1
2	617613		MESSAGE HOLDER, DOUBLE.....	1
3				
4				
5	75109G03		ASH TRAY KIT (INCLUDES ITEMS 6 - 9)	1
6	27731G01		ASH TRAY	1
7	27736G01		GASKET	1
8	75108G02		BRACKET.....	1
9	00106G6		PAN HEAD PHILLIPS SCREW, #12 - 14 X .75" LG.....	4

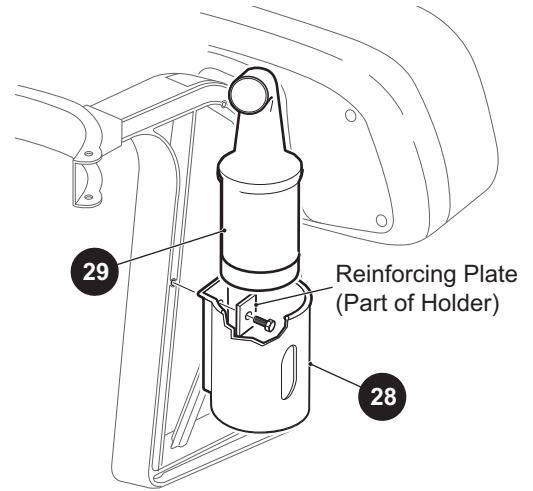
Notes:

A large grid of graph paper for taking notes, consisting of 30 columns and 25 rows of small squares.

SAND BUCKET KIT



SAND BOTTLE DIVOT REPAIR KIT



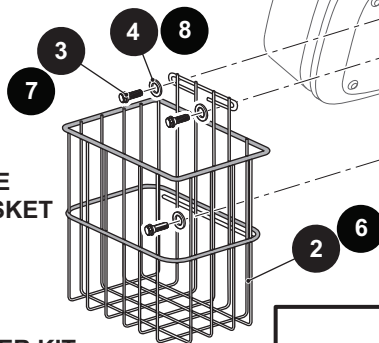
16 SAND BUCKET KIT includes items 17 - 20

1 SIDE BASKET KIT (ONE) includes items 2 - 4

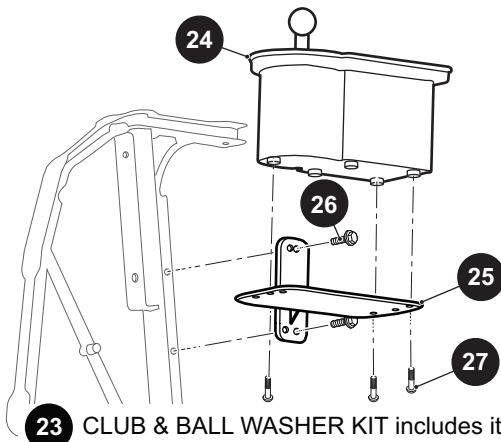
5 SIDE BASKET KIT (TWO) includes items 6 - 8

10 CENTER BASKET KIT includes items 11 - 14

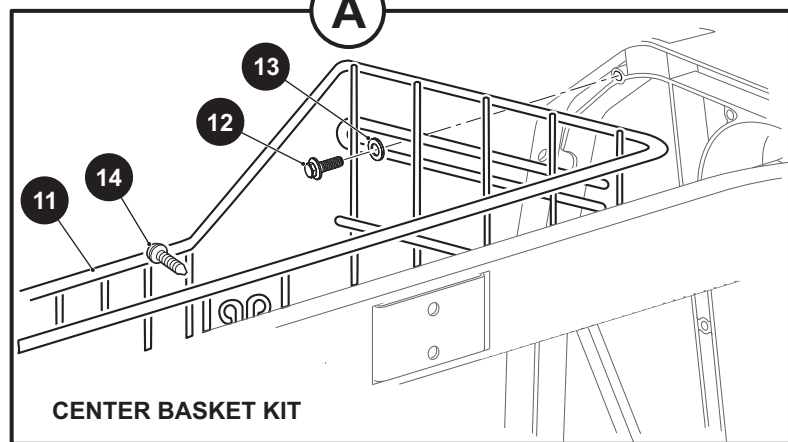
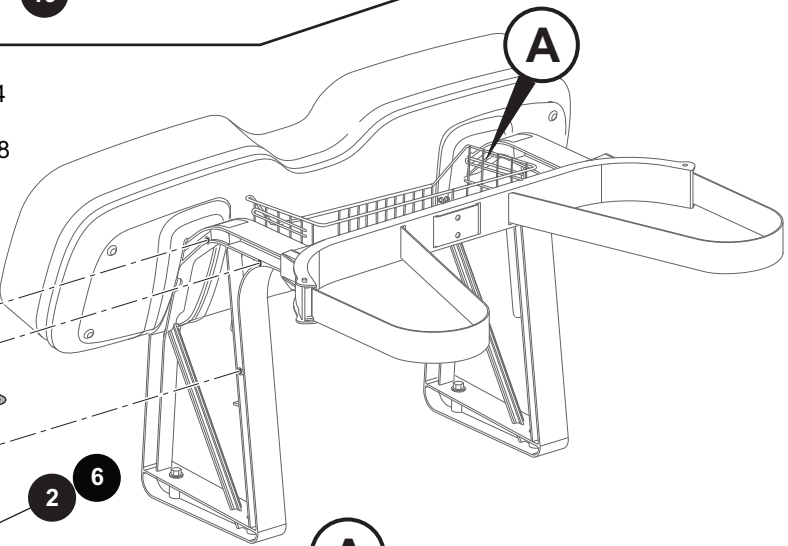
SIDE BASKET KIT



CLUB & BALL WASHER KIT



23 CLUB & BALL WASHER KIT includes items 24 - 27



CENTER BASKET KIT

THE USE OF NON U.L. PARTS WILL VOID ANY U.L. LISTING.

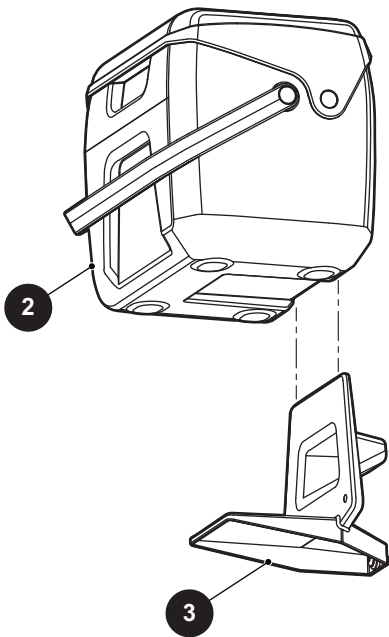
When ordering parts, please specify the model and serial number of the product.

* Indicates a component that is not available as an individual part.

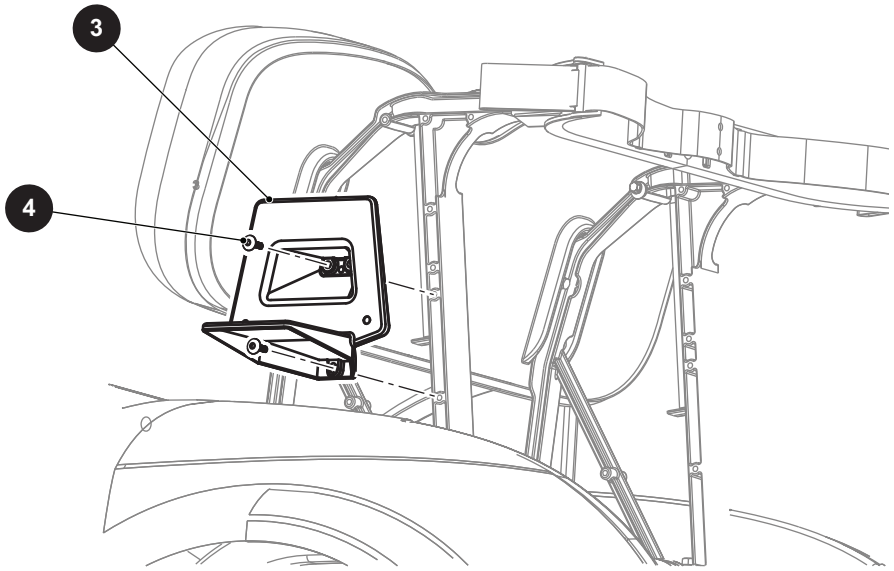
*** Indicates consult Customer Service Department for additional information.

ITEM	PART NO.	1 2 3 4 5	DESCRIPTION	QTY.
1	75007G01		SIDE BASKET KIT WITH ONE BASKET (INCLUDES ITEMS 2 - 4).....	1
2	75460G01		SIDE BASKET	1
3	71102G01		HEX HEAD BOLT, 1/4" - 20 X 3/4" LG.....	3
4	00793G2		FLAT WASHER (SS), 1/4".....	3
5	75007G03		SIDE BASKET KIT WITH TWO BASKET (INCLUDES ITEMS 6 - 8).....	1
6	75460G01		SIDE BASKET	2
7	71102G01		HEX HEAD BOLT, 1/4" - 20 X 3/4" LG.....	6
8	00793G2		FLAT WASHER (SS), 1/4".....	6
9				
10	75003G01		CENTER BASKET KIT (INCLUDES ITEMS 11 - 14).....	1
11	75461G01		CENTER BASKET.....	1
12	71102G01		HEX HEAD BOLT, 1/4" - 20 X 3/4" LG.....	2
13	00793G2		FLAT WASHER (SS), 1/4".....	2
14	01105G01		TORX SCREW (SS), #10 - 14 X 5/8" LG	2
15				
16	664402		SAND BUCKET KIT (INCLUDES ITEMS 17 - 20).....	1
17	662248		SAND BUCKET	1
18	658506		BRACKET.....	1
19	659155		TRUSS HEAD TORX SCREW, 1/4" - 20 X 3/4" LG	2
20	74848G01		SCOOP.....	1
21				
22				
23	627900		CLUB AND BALL WASHER KIT (INCLUDES ITEMS 24 - 27).....	1
24	*		CLUB AND BALL WASHER	1
25	*		CLUB AND BALL WASHER WELDMENT.....	1
26	*		HEX HEAD BOLT, 1/4" - 20 X 3/4" LG.....	2
27	*		PAN HEAD PHILLIPS SELF TAPPING SCREW, #8 - 18 X 1" LG	3
28	28660G01		SAND BOTTLE HOLDER.....	1
29	600612		SAND BOTTLE	1
30	614191		SAND BOTTLE HARDWARE KIT (NOT ILLUSTRATED).....	1

1 COOLER KIT includes items 2 - 4

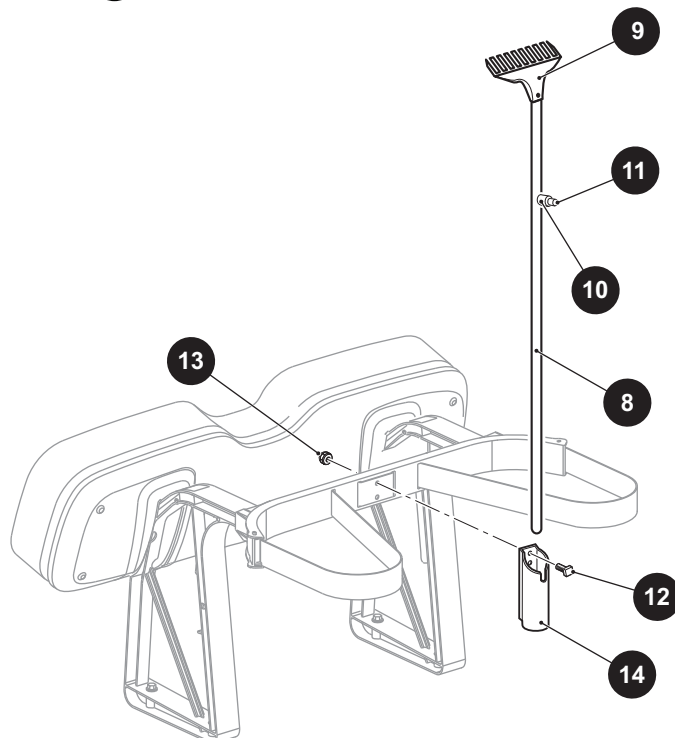


BOX COOLER AND BRACKET



RAKE ASSEMBLY

7 RAKE ASSEMBLY includes items 8 - 11



THE USE OF NON U.L. PARTS WILL VOID ANY U.L. LISTING.

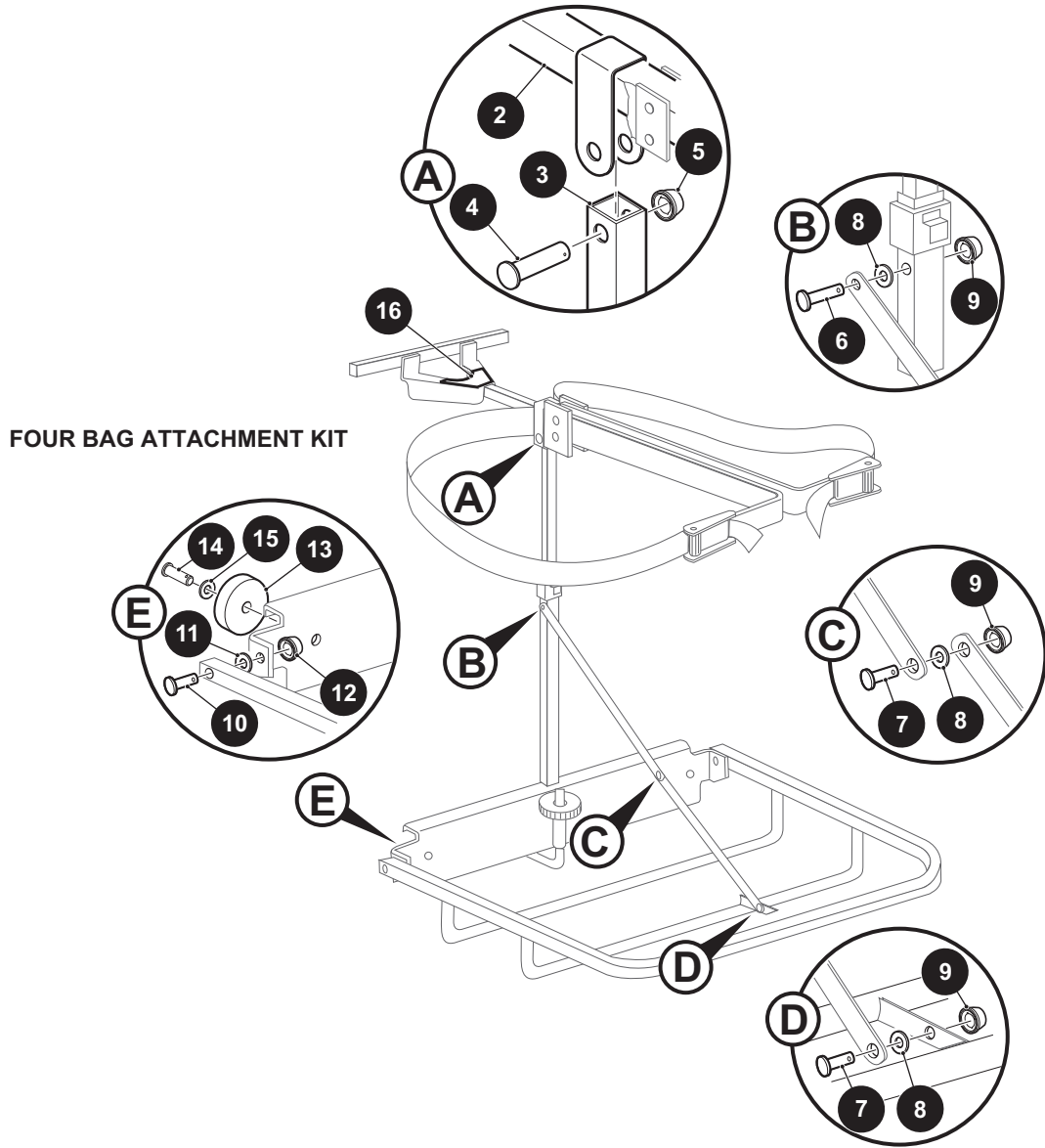
When ordering parts, please specify the model and serial number of the product.

* Indicates a component that is not available as an individual part.

*** Indicates consult Customer Service Department for additional information.

ITEM	PART NO.	1 2 3 4 5	DESCRIPTION	QTY.
1	658509		COOLER KIT (INCLUDES ITEMS 2 - 4)	1
2	658503		BEVERAGE COOLER.....	1
3	658506		COOLER BRACKET.....	1
4	659155		HEX HEAD BOLT, 1/4" - 20 X 3/4" LG.....	2
5				
6				
7	14735G1		RAKE ASSEMBLY (INCLUDES ITEMS 8 - 11).....	1
8	14736G2		RAKE HANDLE	1
9	14737G1		RAKE	1
10	14934G1		SPACER	1
11	00130G8		ROUND HEAD PHILLIPS WOOD SCREW, #10 - 13 X 1" LG	1
12	00989G06		SQUARE HEAD BOLT, 1/4" - 20 X 3/4" LG	2
13	11027G2		LOCK NUT, 1/4" - 20	2
14	25885G01		RAKE HOLDER	1

1 FOUR BAG ATTACHMENT KIT includes items 2 - 16



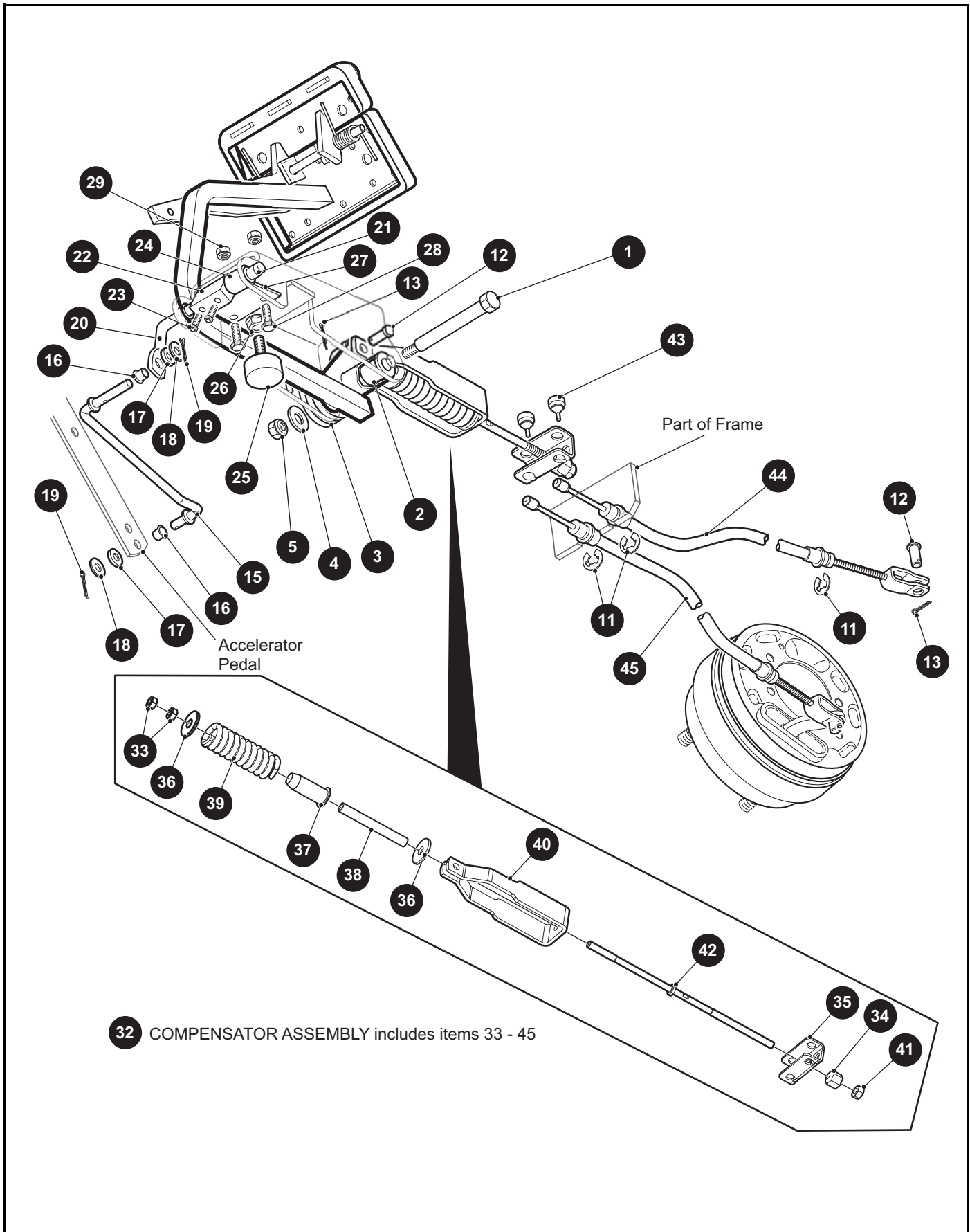
THE USE OF NON U.L. PARTS WILL VOID ANY U.L. LISTING.

When ordering parts, please specify the model and serial number of the product.

* Indicates a component that is not available as an individual part.

*** Indicates consult Customer Service Department for additional information.

ITEM	PART NO.	1 2 3 4 5	DESCRIPTION	QTY.
1	75335G01		FOUR BAG ATTACHMENT KIT (INCLUDES ITEMS 2 -16)	1
2	*		TOP ASSEMBLY	1
3	*		BOTTOM ASSEMBLY	1
4	17651G2		CLEVIS PIN, 5/16" X 1 1/8" LG	1
5	28129G01		PUSH NUT, 5/16"	1
6	17651G2		CLEVIS PIN, 5/16" X 1 1/8" LG	1
7	17651G3		CLEVIS PIN, 5/16" X 1/2" LG	2
8	00559G8		FLAT WASHER, 5/16"	3
9	28129G01		PUSH NUT, 5/16"	3
10	17651G1		CLEVIS PIN, 3/8" X 1 1/4" LG	2
11	00560G1		FLAT WASHER, 3/8"	2
12	28129G02		PUSH NUT, 3/8"	2
13	13728G1		RUBBER BUMPER	2
14	14601G1		RIVET, 3/16"	2
15	00559G5		FLAT WASHER, #10	2
16	75130G01		WARNING LABEL	1



THE USE OF NON U.L. PARTS WILL VOID ANY U.L. LISTING.

When ordering parts, please specify the model and serial number of the product.

* Indicates a component that is not available as an individual part.

*** Indicates consult Customer Service Department for additional information.

ITEM	PART NO.	1 2 3 4 5	DESCRIPTION	QTY.
1	70582G01		SHOULDER BOLT (SS), 1/2" / 3/8" - 16 X 4" LG.....	1
2	70581G01		FLANGED BUSHING, .8" O.D. X .5" I.D.....	2
3	70676G01		TORSION SPRING	1
4	00643G1		LOCK WASHER, 3/8"	1
5	11098G5		LOCK NUT, 3/8" - 16.....	1
6	01038G01		SWAGEFORM SCREW, 1/4" - 20 X .7" LG (NOT ILLUSTRATED).....	1
7	12416G2		NYLON WEDGE LOCK CLAMP (NOT ILLUSTRATED).....	3
8				
9				
10				
11	01111G01		RETAINING RING (SS), 13/32"	4
12	10386G3		CLEVIS PIN, 5/16" X 13/16" LG.....	3
13	10387G3		COTTER PIN, 3/32" X 3/4" LG.....	3
14				
15	70601G01		KICK-OFF LINK	1
16	17838G1		NYLON BUSHING, .37" O.D. X .31" I.D.	2
17	20835G1		TEFLON WASHER, 3/8"	2
18	00559G8		FLAT WASHER, 5/16"	2
19	10387G3		COTTER PIN, 3/32" X 3/4" LG.....	2
20	70098G01		KICK-OFF CAM PIVOT.....	1
21	10097G6		FLANGED BEARING	2
22	70587G01		KICK-OFF CAM	1
23	71215G01		SET SCREW, 1/4" - 20 X 1/2" LG	2
24	14134G4		SPACER, .76" O.D. X .395" I.D. X 1.25" LG	1
25	70113G01		ADJUSTABLE BUMPER.....	1
26	11027G1		LOCK NUT, 5/16 - 18"	1
27	70080G02		CATCH BRACKET	1
28	00414G6		HEX HEAD BOLT, 1/4" - 20 X 3/4" LG	2
29	14390G4		LOCK NUT (SS), 1/4" - 20	2
30	17618G1		NYLON CAMP (NOT ILLUSTRATED)	1
31				

BRAKES

THE USE OF NON U.L. PARTS WILL VOID ANY U.L. LISTING.

When ordering parts, please specify the model and serial number of the product.

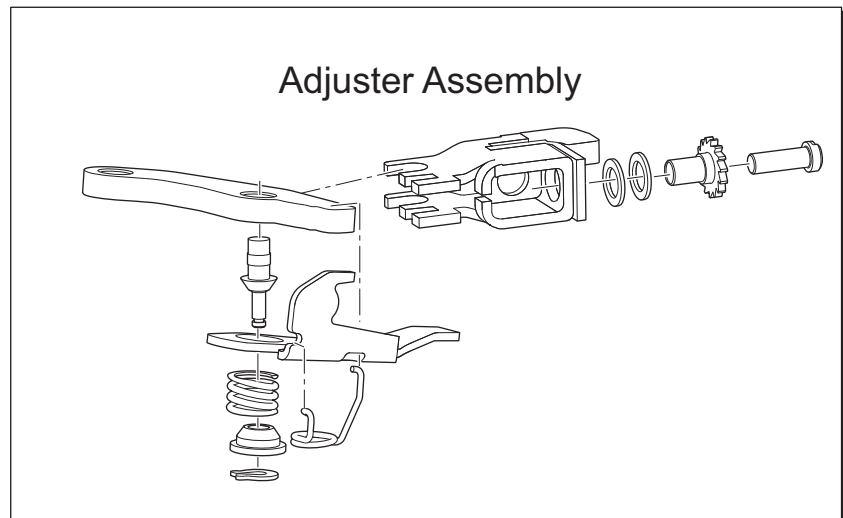
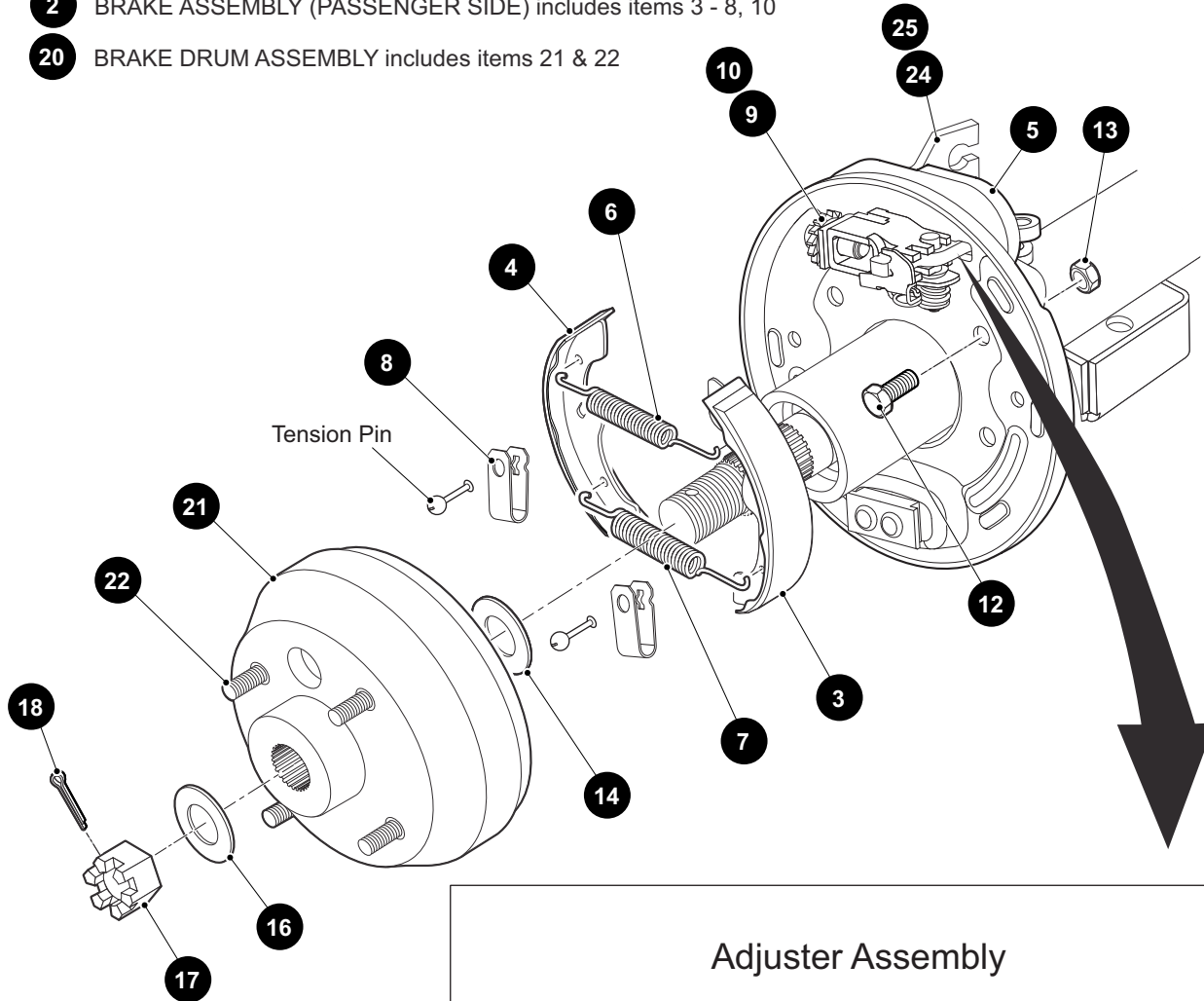
* Indicates a component that is not available as an individual part.

*** Indicates consult Customer Service Department for additional information.

ITEM	PART NO.	1	2	3	4	5	DESCRIPTION	QTY.
32	654663						COMPENSATOR ASSEMBLY (GREEN) (INCLUDES ITEMS 33 - 45).....	1
33	00532G4						HEX NUT, 5/16" - 48	2
34	629486						HEX NUT, 5/16" - 24	1
35	28082G01						EQUALIZER BRACKET	1
36	15121G1						FLAT WASHER - 5/16".....	2
37	17979G1						ACCELERATOR ROD BUSHING, .75" O.D. X 2" LG	1
38	23061G2						TUBE.....	1
39	23463G1						COMPRESSION SPRING	1
40	27330G01						BRAKE YOKE	1
41	11098G9						HEX LOCK NUT, 5/16" - 24	1
42	612557						COMPENSATOR LINK ROD	1
43	28083G01						BRAKE COMPENSATOR BUMPER.....	2
44	624690						BRAKE CABLE (DRIVER SIDE).....	1
45	624691						BRAKE CABLE (PASSENGER SIDE)	1

TOP PULL

- 1** BRAKE ASSEMBLY (DRIVER SIDE) includes items 3 - 9
- 2** BRAKE ASSEMBLY (PASSENGER SIDE) includes items 3 - 8, 10
- 20** BRAKE DRUM ASSEMBLY includes items 21 & 22



BRAKES

THE USE OF NON U.L. PARTS WILL VOID ANY U.L. LISTING.

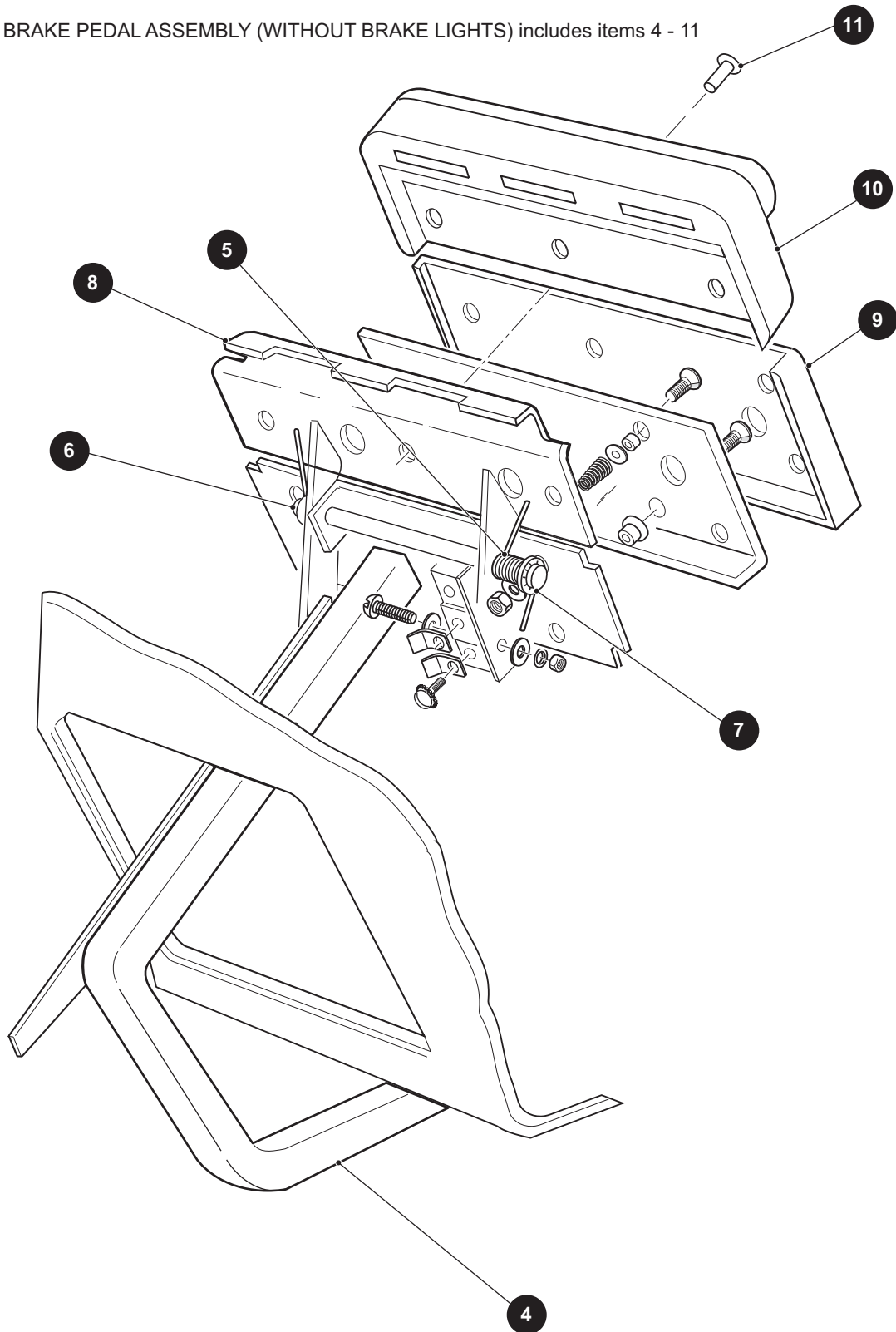
When ordering parts, please specify the model and serial number of the product.

* Indicates a component that is not available as an individual part.

*** Indicates consult Customer Service Department for additional information.

ITEM	PART NO.	1 2 3 4 5	DESCRIPTION	QTY.
1	612211		BRAKE ASSEMBLY (DRIVER SIDE) (INCLUDES ITEMS 3 - 9).....	1
2	612189		BRAKE ASSEMBLY (PASSENGER SIDE) (INCLUDES ITEMS 3 - 8, 10)	1
3	612411		BRAKE SHOE, LEADING	2
4	612412		BRAKE SHOE, TRAILING.....	2
5	612413		DUST COVER	1
6	612415		BRAKE SPRING, BOTTOM	1
7	612414		BRAKE SPRING, TOP	1
8	612416		SHOE CLAMP	2
9	612418		GEAR ADJUSTER (DRIVER SIDE)	1
10	612417		GEAR ADJUSTER (PASSENGER SIDE).....	1
11				
12	17083G2		HEX HEAD BOLT, 5/16" - 24 X 1" LG	8
13	15126G1		LOCK NUT, 5/16" - 24.....	8
14	15485G1		FLAT WASHER, 1/4"	2
15				
16	15487G1		FLAT WASHER, 1 3/8" O.D.	2
17	612928		CASTELLATED NUT, 5/8" - 18	2
18	10387G1		COTTER PIN, 1/8" X 1 1/2" LG.....	2
19				
20	19186G1		BRAKE DRUM ASSEMBLY (INCLUDES ITEMS 21 & 22)	2
21	18500G2		BRAKE DRUM.....	1
22	19862G1		LUG BOLT, 1/2" - 20 X 1 3/16" LG.....	4
23				
24	652248		BRAKE CABLE BRACKET (PASSENGER SIDE)	1
25	652249		BRAKE CABLE BRACKET (DRIVER SIDE).....	1

1 BRAKE PEDAL ASSEMBLY (WITHOUT BRAKE LIGHTS) includes items 4 - 11



THE USE OF NON U.L. PARTS WILL VOID ANY U.L. LISTING.

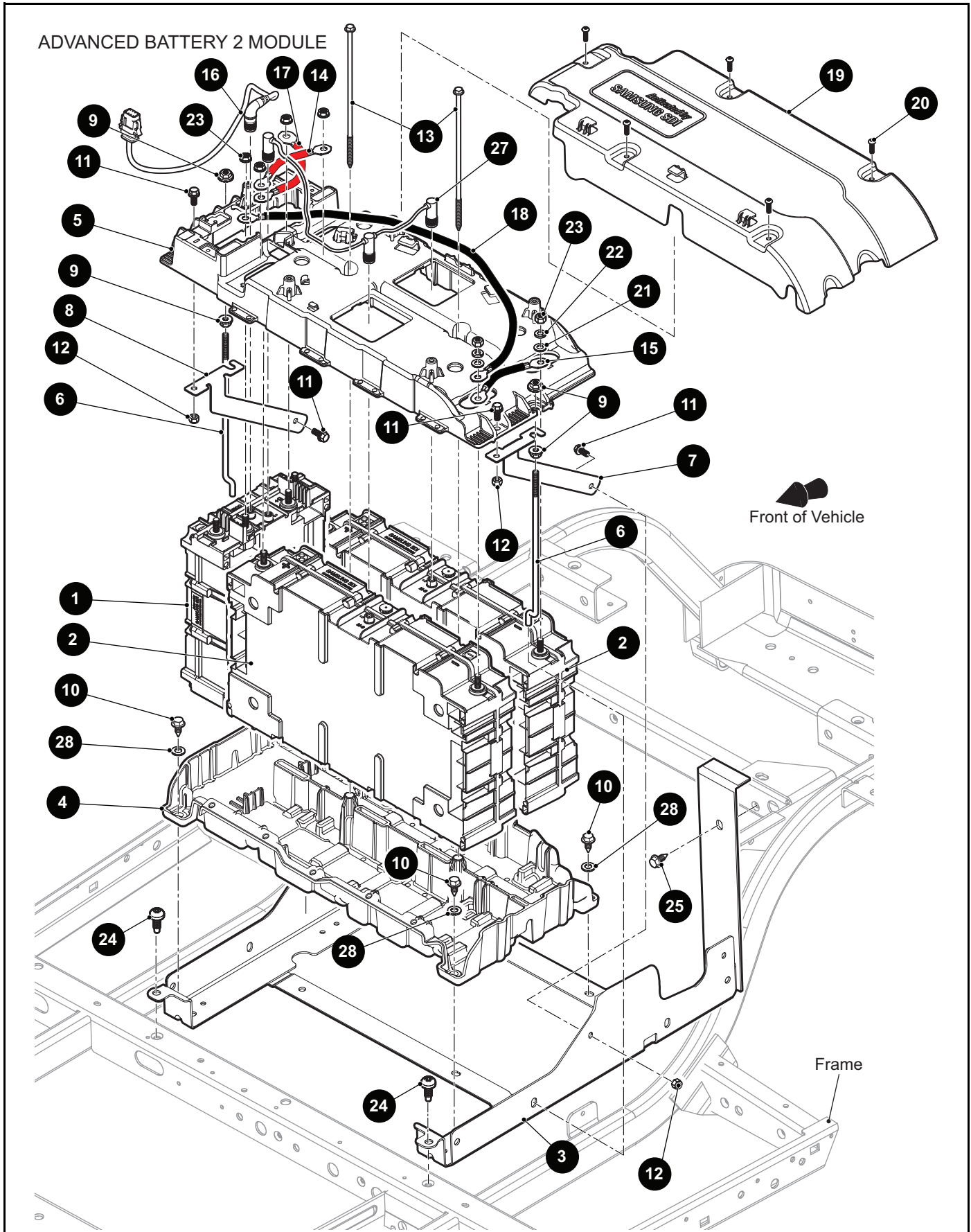
When ordering parts, please specify the model and serial number of the product.

* Indicates a component that is not available as an individual part.

*** Indicates consult Customer Service Department for additional information.

ITEM	PART NO.	1 2 3 4 5	DESCRIPTION	QTY.
1	70612G02		BRAKE PEDAL ASSEMBLY (WITHOUT BRAKE LIGHTS) (INCLUDES ITEMS 4 - 11).....	1
2				
3				
4	652251G03		BRAKE PEDAL (WITHOUT LIGHTS).....	1
5	70681G01		TORSION SPRING.....	2
6	70682G01		PIVOT PIN.....	1
7	658825		PUSHNUT, 5/16" - 24	2
8	652253G03		PARK BRAKE PEDAL	1
9	70257G01		SERVICE BRAKE PAD.....	1
10	70256G01		PARK BRAKE PEDAL PAD	1
11	16409G1		OVAL RIVET, 3/16" X 7/16" LG	9

ADVANCED BATTERY 2 MODULE



THE USE OF NON U.L. PARTS WILL VOID ANY U.L. LISTING.

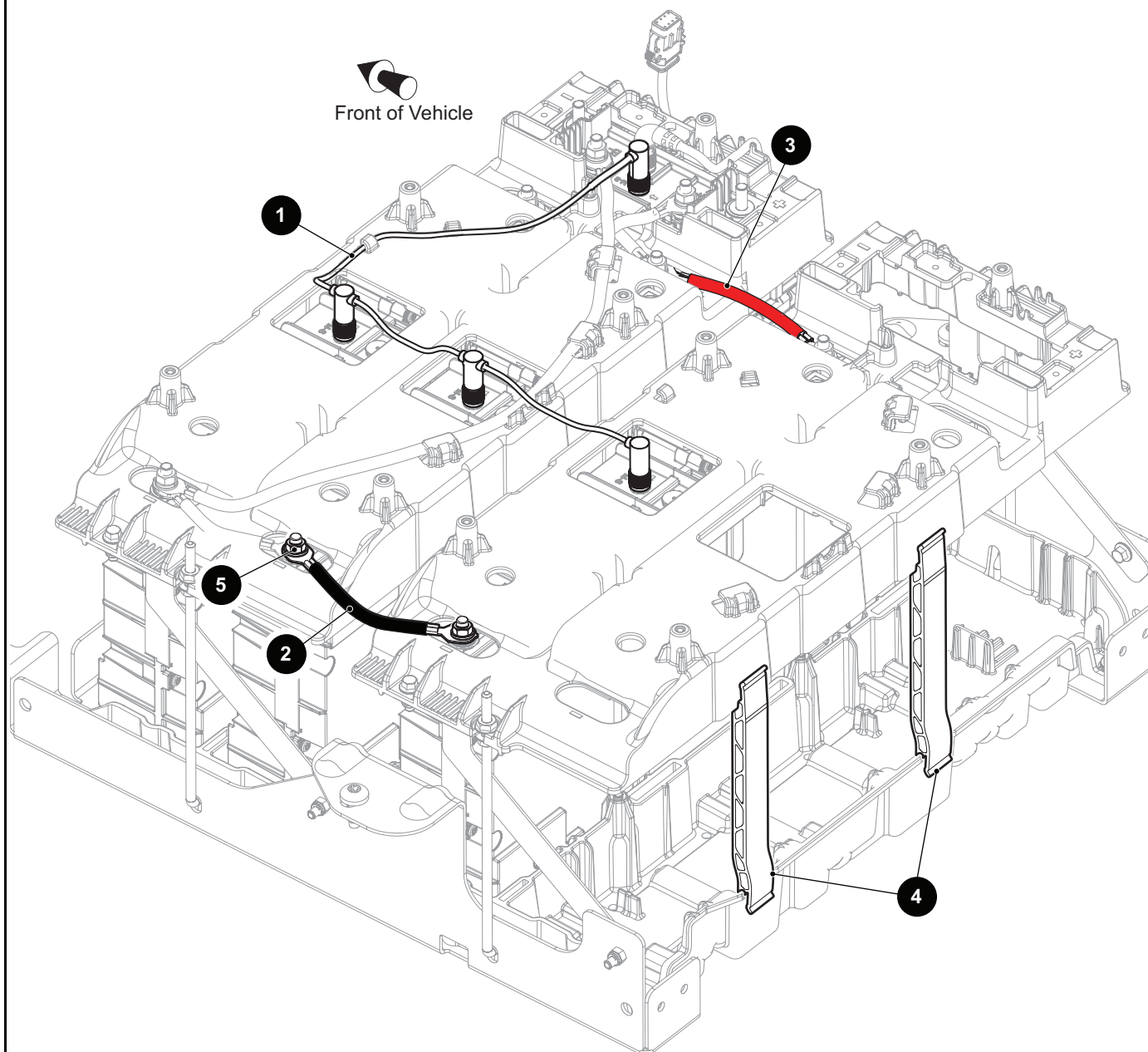
When ordering parts, please specify the model and serial number of the product.

* Indicates a component that is not available as an individual part.

*** Indicates consult Customer Service Department for additional information.

ITEM	PART NO.	1 2 3 4 5	DESCRIPTION	QTY.
1	665953		BATTERY MANAGEMENT SYSTEM	1
2	665954		CELL MODULE	2
3	663490		BATTERY TRAY	1
4	651809		BOTTOM TRAY	1
5	651812		TOP TRAY	1
6	01101G01		TIE DOWN BOLT	2
7	654002G01		HOLD DOWN BRACKET (DRIVER SIDE)	1
8	654002G02		HOLD DOWN BRACKET (PASSENGER SIDE)	1
9	11027G1		FLANGED LOCK NUT, 5/16" - 18	4
10	00715G2		HEX WASHER HEAD BOLT, 5/16" - 18 X .80" LG	4
11	13437G9		SERRATED HEAD LOCK SCREW, 1/4" - 20 X 3/4" LG	8
12	14390G4		LOCK NUT, 1/4" - 20	8
13	654863		FLANGED HEX HEAD BOLT, 1/4" - 10 X 8 3/4" LG	2
14	652002		BATTERY CABLE (RED), 6AWG, 122 MM LG	1
15	653432		BATTERY CABLE (BLACK), 6AWG, 122 MM LG	1
16	652090		HARNESS (BMS TO MAIN HARNESS)	1
17	653449		BATTERY CABLE (RED), 6AWG, 145 MM LG	1
18	651811		BATTERY CABLE (BLACK), 6AWG, 595 MM LG	1
19	651878		TOP COVER	1
20	654616		BUTTON HEAD TAPPING SCREW, #10 X .625" LG	5
21				
22				
23	659134		CONICAL HEX NUT, M8 - 1.25	6
24	70200G01		TRUSS HEAD TORX SCREW, 3/8" - 16 X .75" LG	2
25	00715G2		HEX WASHER HEAD BOLT, 5/16" - 18 X .80" LG	4
26				
27	651960		BATTERY COMMUNICATION CABLE, 60AH	1
28	00559G8		FLAT WASHER, 5/16"	4

ADVANCED BATTERY 3 MODULE



*NOTE: Refer to ADVANCED BATTERY 2 MODULE for exploded view of battery pack

THE USE OF NON U.L. PARTS WILL VOID ANY U.L. LISTING.

When ordering parts, please specify the model and serial number of the product.

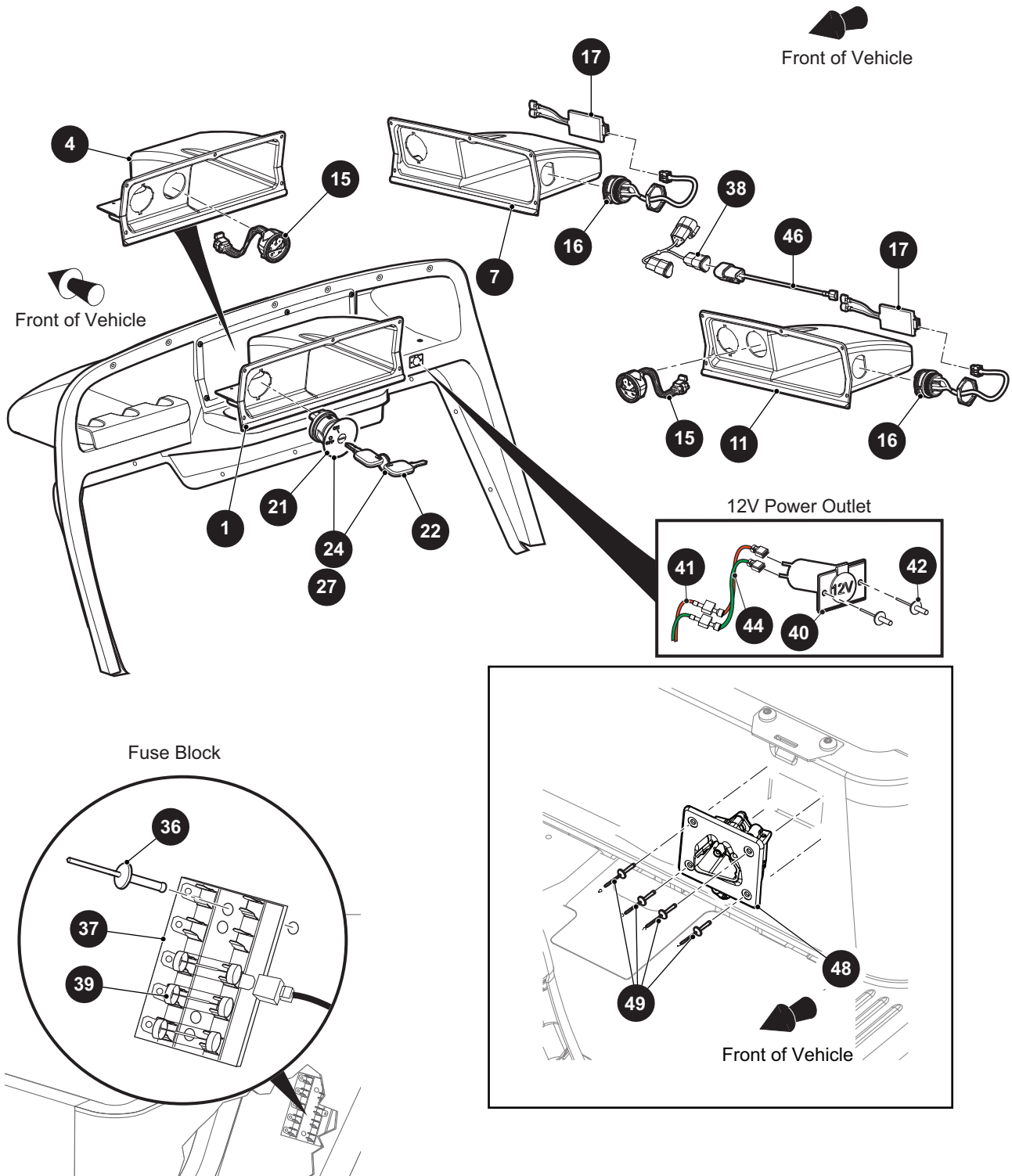
* Indicates a component that is not available as an individual part.

*** Indicates consult Customer Service Department for additional information.

ITEM	PART NO.	1 2 3 4 5	DESCRIPTION	QTY.
1	651961		BATTERY COMMUNICATION CABLE, 90AH	1
2	653431		BATTERY CABLE (BLACK), 6AWG, 160MM LG.....	1
3	653433		BATTERY CABLE (RED), 6AWG, 160MM LG.....	1
4	654488		BATTERY TRAY SPACER	2
5	659134		CONICAL HEX NUT, M8 - 1.25.....	2

ELECTRICAL

- 3 IP INSERT WITH SOC ASSEMBLY includes items 4, 15
- 6 IP INSERT WITH USB ASSEMBLY includes items 7, 14, 16, 17
- 10 IP INSERT WITH SOC AND USB ASSEMBLY includes items 11, 14 - 17



THE USE OF NON U.L. PARTS WILL VOID ANY U.L. LISTING.

When ordering parts, please specify the model and serial number of the product.

* Indicates a component that is not available as an individual part.

*** Indicates consult Customer Service Department for additional information.

ITEM	PART NO.	1 2 3 4 5	DESCRIPTION	QTY.
1	657166		CENTER COMPARTMENT.....	1
2				
3	656506G02		IP INSERT WITH SOC ASSEMBLY (INCLUDES ITEMS 4, 15)	1
4	658284G02		CENTER COMPARTMENT WITH SOC	1
5				
6	656506G03		IP INSERT WITH USB ASSEMBLY (INCLUDES ITEMS 7, 14, 16, 17).....	1
7	658284G03		CENTER COMPARTMENT WITH USB	1
8				
9				
10	656506G04		IP INSERT WITH SOC AND USB ASSEMBLY (INCLUDES ITEMS 11, 14 - 17).....	1
11	658284G04		CENTER COMPARTMENT WITH SOC AND USB	1
12				
13				
14	17618G1		NYLON CLAMP (NOT ILLUSTRATED).....	2
15	658249		SOC METER	1
16	639384		USB PORT HOUSING ASSEMBLY.....	1
17	638233		USB ELECTRONICS.....	1
18	17618G1		NYLON CLAMP (NOT ILLUSTRATED)	3
19	656773		SOC HARNESS (NOT ILLUSTRATED).....	1
20				
21	653074		KEYSWITCH, 2 POSITION.....	1
22	611282		COMMON KEY SET	1
23				
24	656069		KEYSWITCH AND KEY SET, 2 POSITION (GROUP KEYS)	1
25				
26				
27	656070		KEYSWITCH AND KEY SET, 2 POSTION (UNIQUE).....	1
28				
29				
30				

ELECTRICAL

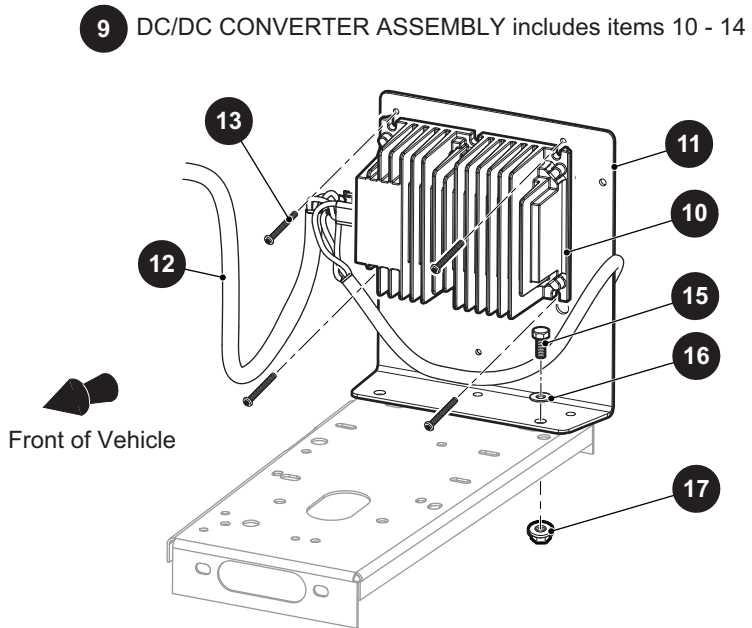
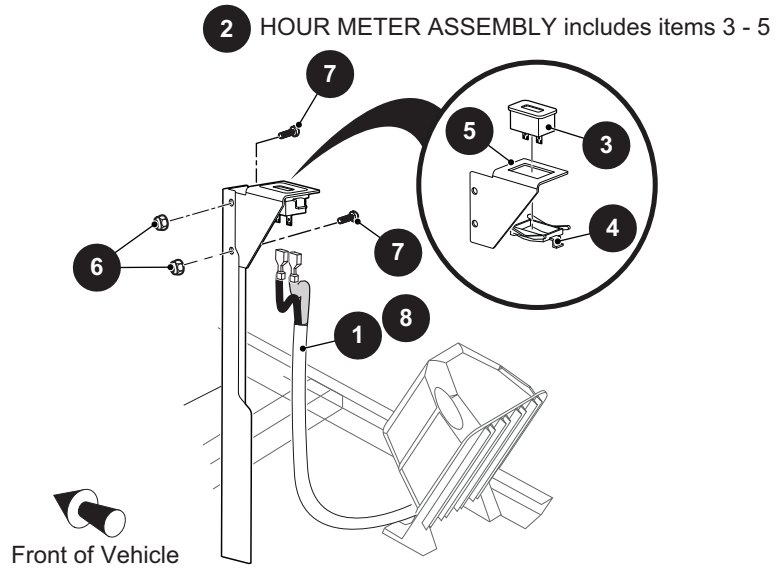
THE USE OF NON U.L. PARTS WILL VOID ANY U.L. LISTING.

When ordering parts, please specify the model and serial number of the product.

* Indicates a component that is not available as an individual part.

*** Indicates consult Customer Service Department for additional information.

ITEM	PART NO.	1	2	3	4	5	DESCRIPTION	QTY.
31								
32	17618G1						NYLON CLAMP (NOT ILLUSTRATED).....	3
33								
34								
35	19344G1						VINYL TAPE (NOT ILLUSTRATED).....	1
36	01041G01						RIVET, 5/32" DIA.....	2
37	22674G1						FUSE BLOCK.....	1
38	656775						JUMPER HARNESS, 3 WAY.....	1
39	18392G1						FUSE, 15 AMP.....	1
40	71078G01						POWER OUTLET, 12V.....	1
41	633988						HARNESS, 12V.....	1
42	71055G01						RIVET, 3/16".....	2
43	31539G1						NYLON CLAMP (NOT ILLUSTRATED).....	4
44	634277						JUMPER.....	1
45	635865						USB HARNESS (NOT ILLUSTRATED).....	1
46	656772						USB JUMPER.....	1
47								
48	651531						CHARGER RECEPTACLE.....	1
49	71055G01						RIVET, 3/16" DIA.....	4



THE USE OF NON U.L. PARTS WILL VOID ANY U.L. LISTING.

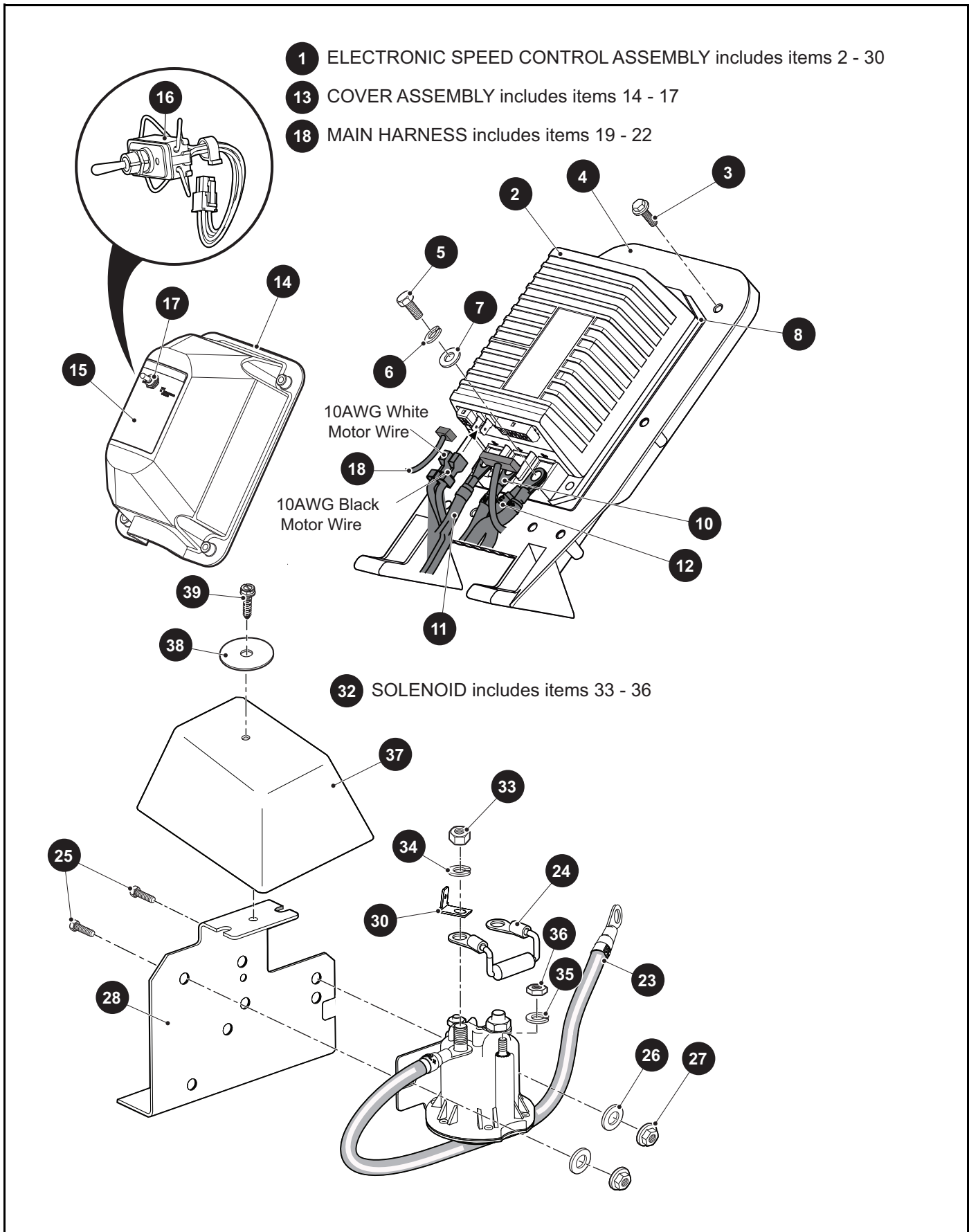
When ordering parts, please specify the model and serial number of the product.

* Indicates a component that is not available as an individual part.

*** Indicates consult Customer Service Department for additional information.

ITEM	PART NO.	1 2 3 4 5	DESCRIPTION	QTY.
1	75117G01		HOUR METER HARNESS (FOR VEHICLES MANUFACTURED BEFORE OCTOBER 29, 2018).....	1
2	74720G01		HOUR METER ASSEMBLY (INCLUDES ITEMS 3 - 5)	1
3	620133		HOUR METER	1
4	74696G01		RETAINER CLIP	1
5	74716G01		BRACKET.....	1
6	14390G10		LOCK NUT, #10 - 24	2
7	00379G4		PAN HEAD PHILLIPS SCREW,#10 - 24 X 1/2" LG	2
8	664689		HOUR METER HARNESS (FOR VEHICLES MANUFACTURED AFTER OCTOBER 29, 2018).....	1
9	656081		DC/DC CONVERTER ASSEMBLY (INCLUDES ITEMS 10 - 14).....	1
10	632185		DC/DC CONVERTER.....	1
11	633303		BRACKET.....	1
12	605888		HARNESS	1
13	632372		TAPPING SCREW, #10 - 32 X 3/4" LG	4
14	17618G1		NYLON CLAMP (NOT ILLUSTRATED).....	2
15	00414G6		HEX HEAD BOLT, 1/4" - 20 X 1/2" LG	2
16	00559G7		FLAT WASHER,	2
17	11027G2		FLANGED LOCK NUT, 1/4" - 20.....	2
18				
19	670675G01		GPS DISPLAY UNIT, 7" (NOT ILLUSTRATED)	1
20	670675G02		GPS DISPLAY UNIT, 10" (NOT ILLUSTRATED)	1
21	649841		GPS POWER SUPPLY, 48V (NOT ILLUSTRATED).....	1
22	649842		GPS POWER ADAPTER (NOT ILLUSTRATED).....	1
23	643882G03		GPS MOUNTING SYSTEM (NOT ILLUSTRATED).....	1
24	664519G01		GPS DISPLAY UNIT, 7" (NOT ILLUSTRATED)	1
25	664519G02		GPS DISPLAY UNIT, 10" (NOT ILLUSTRATED)	1
26	664522G06		GPS MOUNTING SYSTEM (NOT ILLUSTRATED).....	1

ELECTRONIC SPEED CONTROL



ELECTRONIC SPEED CONTROL

THE USE OF NON U.L. PARTS WILL VOID ANY U.L. LISTING.

When ordering parts, please specify the model and serial number of the product.

* Indicates a component that is not available as an individual part.

*** Indicates consult Customer Service Department for additional information.

ITEM	PART NO.	1 2 3 4 5	DESCRIPTION	QTY.
1	658297		ELECTRONIC SPEED CONTROL ASSEMBLY, 48V (INCLUDES ITEMS 2 - 30)	1
2	658278		CONTROLLER, 48V	1
3	71102G01		HEX HEAD WASHER BOLT, 1/4" - 20 X 3/4" LG	3
4	73471G01		HEAT SINK	1
5	73296G01		HEX HEAD BOLT, M8 - 1.25 X 16MM LG	3
6	00565G8		LOCK WASHER, 5/16"	3
7	00559G8		FLAT WASHER, 5/16"	3
8	73190G01		THERMAL MOUNTING PAD	1
9	31539G1		NYLON CLAMP (NOT ILLUSTRATED)	1
10	617612		POWER WIRE HARNESS, DC	1
11	654720		6 AWG BLACK WIRE, 405MM	1
12	654722		4 AWG RED WIRE, 255MM	1
13	612753		COVER ASSEMBLY (INCLUDES ITEMS 14 - 17)	1
14	73482G01		COVER (WITH GASKET)	1
15	613048		LABEL (TOW SWITCH)	1
16	633114		TOGGLE SWITCH	1
17	73139G01		SEALED NUT, 15/32" - 32	1
18	653517		MAIN HARNESS (INCLUDES ITEM 19 - 22)	1
19	636455G22		FUSE (MINI), 58V, 10A (NOT ILLUSTRATED)	1
20	651800G01		RESISTOR (MALE), 120 OHM (NOT ILLUSTRATED)	1
21	648072		CLIP (TREE TYPE) (NOT ILLUSTRATED)	1
22	661807		CAP, 3P (NOT ILLUSTRATED)	1
23	655107		4AWG GREEN WIRE ASSEMBLY, 28"	1
24	620430		RESISTOR ASSEMBLY, 500 OHM	1
25	00414G5		HEX HEAD BOLT, 1/4" - 20 X 5/8" LG	2
26	01110G01		FLAT WASHER, 1/4"	2
27	11027G2		FLANGED NUT, 1/4" - 20	2
28	73057G02		BRACKET	1
29				
30	73446G01		FASTON TAB	2

ELECTRONIC SPEED CONTROL

THE USE OF NON U.L. PARTS WILL VOID ANY U.L. LISTING.

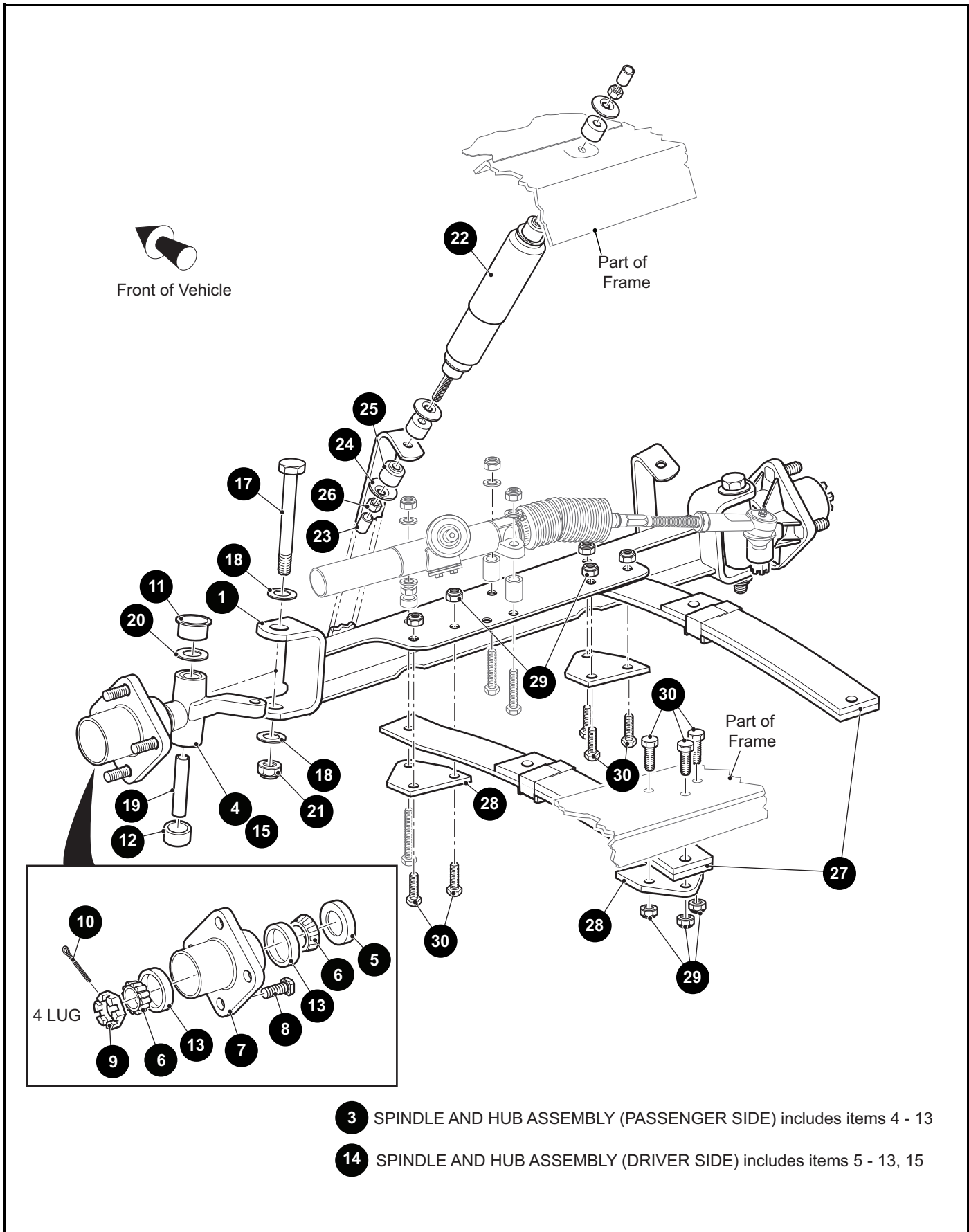
When ordering parts, please specify the model and serial number of the product.

* Indicates a component that is not available as an individual part.

*** Indicates consult Customer Service Department for additional information.

ITEM	PART NO.	1	2	3	4	5	DESCRIPTION	QTY.
31								
32	612711						SOLENOID, 48V (INCLUDES ITEMS 33 - 36).....	1
33	00544G4						LOCK NUT, 5/16" - 24.....	2
34	00565G8						LOCK WASHER, 5/16".....	2
35	00565G5						LOCK WASHER, #10.....	2
36	00526G4						LOCK NUT, #10 - 32.....	2
37	73049G01						COVER.....	1
38	16469G1						FLAT FENDER WASHER, 1/4".....	1
39	00114G6						HEX HEAD WASHER BOLT, 1/4" - 14 X 3/4" LG.....	1

FRONT SUSPENSION AND STEERING



FRONT SUSPENSION AND STEERING

THE USE OF NON U.L. PARTS WILL VOID ANY U.L. LISTING.

When ordering parts, please specify the model and serial number of the product.

* Indicates a component that is not available as an individual part.

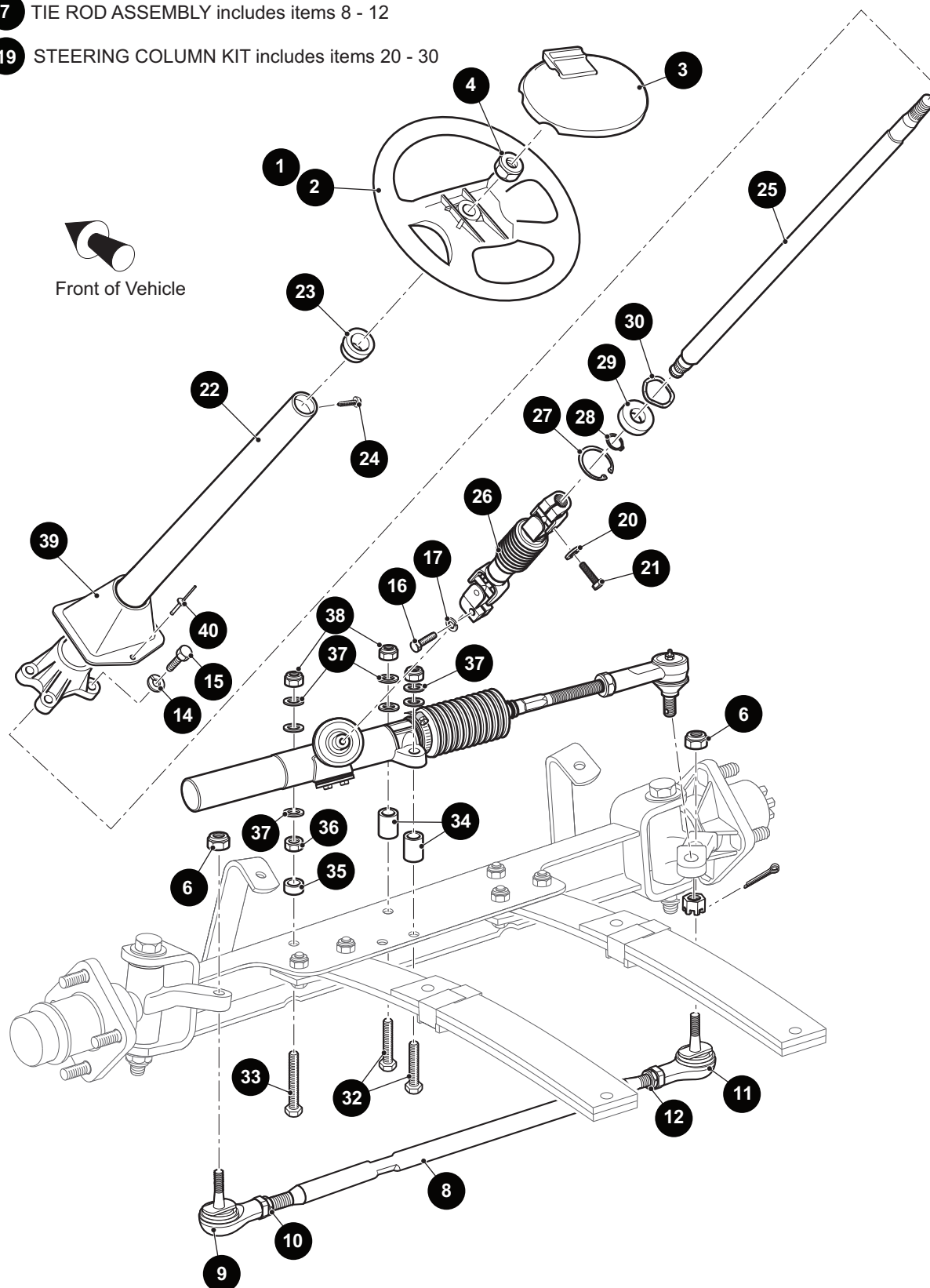
*** Indicates consult Customer Service Department for additional information.

ITEM	PART NO.	1 2 3 4 5	DESCRIPTION	QTY.
1	652822		FRONT AXLE.....	1
2				
3	70942G03		SPINDLE AND HUB ASSEMBLY, 4 LUG (PASSENGER SIDE) (INCLUDES ITEMS 4 - 13).....	1
4	70940G02		SPINDLE ASSEMBLY (PASSENGER SIDE).....	1
5	25146G1		GREASE SEAL.....	1
6	11750G2		ROLLER BEARING.....	2
7	70589G01		WHEEL HUB.....	1
8	19862G1		LUG BOLT, 1/2" - 20 X 1 3/16" LG.....	4
9	12093G1		CASTELLATED NUT, 1" - 14.....	1
10	00798G8		COTTER PIN, 5/32" X 1 3/4" LG.....	1
11	632925		FLANGED BUSHING.....	1
12	632926		BUSHING.....	1
13	51141G1		RACE BEARING.....	2
14	70673G03		SPINDLE AND HUB ASSEMBLY, 4 LUG (DRIVER SIDE) (INCLUDES ITEMS 5 - 13, 15).....	1
15	70742G02		SPINDLE ASSEMBLY (DRIVER SIDE).....	1
16				
17	00407G6		HEX HEAD BOLT 1/2" - 13 X 6" LG.....	1
18	00560G3		FLAT WASHER, 1/2".....	2
19	70745G01		KING PIN TUBE.....	1
20	70754G01		THRUST WASHER (SS), 1".....	1
21	14390G6		LOCK NUT, 1/2" - 13.....	1
22	76419G01		SHOCK ABSORBER.....	1
23	10044G01		VINYL CAP.....	2
24	10435G1		SHOCK ABSORBER WASHER.....	4
25	10194G1		RUBBER BUSHING.....	4
26	00532G6		HEX NUT, 3/8" - 24.....	2
27	70990G03		LEAF SPRING.....	2
28	652258		SPRING PLATE.....	4
29	00734G1		LOCK NUT, 7/16" - 14.....	11
30	00463G11		HEX HEAD BOLT, 7/16" - 14 X 1 3/4" LG.....	11

FRONT SUSPENSION AND STEERING

7 TIE ROD ASSEMBLY includes items 8 - 12

19 STEERING COLUMN KIT includes items 20 - 30



FRONT SUSPENSION AND STEERING

THE USE OF NON U.L. PARTS WILL VOID ANY U.L. LISTING.

When ordering parts, please specify the model and serial number of the product.

* Indicates a component that is not available as an individual part.

*** Indicates consult Customer Service Department for additional information.

ITEM	PART NO.	1 2 3 4 5	DESCRIPTION	QTY.
1	602980		STEERING WHEEL (PREMIUM).....	1
2	602979		STEERING WHEEL.....	1
3	607925		SCORECARD HOLDER.....	1
4	14390G2		LOCK NUT, 5/8" - 18.....	1
5				
6	00734G1		LOCK NUT, 7/16" - 14.....	2
7	70876G02		TIE ROD ASSEMBLY (INCLUDES ITEMS 8 - 12).....	1
8	70897G02		THREADED ROD, 24" LG.....	1
9	70902G01		TIE ROD END (LEFT HAND THREADS).....	1
10	01069G01		JAM NUT, M12 X 1.25 (LEFT HAND THREADS).....	1
11	70902G02		TIE ROD END (RIGHT HAND THREADS).....	1
12	01069G02		JAM NUT, M12 X 1.25 (RIGHT HAND THREADS).....	1
13				
14	00879G1		LOCK WASHER, 3/8".....	4
15	01006G01		HEX HEAD BOLT, 3/8" - 16 X 1 1/4" LG.....	4
16	01055G01		HEX HEAD BOLT, M8 - 1.25 X 1.18" LG.....	1
17	00565G8		LOCK WASHER, 5/16".....	1
18				
19	70758G05		STEERING COLUMN KIT (INCLUDES ITEMS 20 - 30).....	1
20	00565G8		LOCK WASHER, 5/16".....	1
21	01055G01		HEX HEAD BOLT, M8 - 1.25 X 1.18" LG.....	1
22	70610G03		STEERING COLUMN.....	1
23	28569G01		STEERING COLUMN BUSHING.....	1
24	01022G01		HEX WASHER HEAD SCREW, #6 - 20 X 5/16" LG.....	1
25	70607G01		STEERING SHAFT.....	1
26	70580G01		INTERMEDIATE SHAFT.....	1
27	70751G01		RETAINING RING (INTERNAL).....	1
28	70888G01		RETAINING RING (EXTERNAL).....	1
29	15112G1		BALL BEARING.....	1
30	70887G01		WAVE WASHER.....	1
31				

FRONT SUSPENSION AND STEERING

THE USE OF NON U.L. PARTS WILL VOID ANY U.L. LISTING.

When ordering parts, please specify the model and serial number of the product.

* Indicates a component that is not available as an individual part.

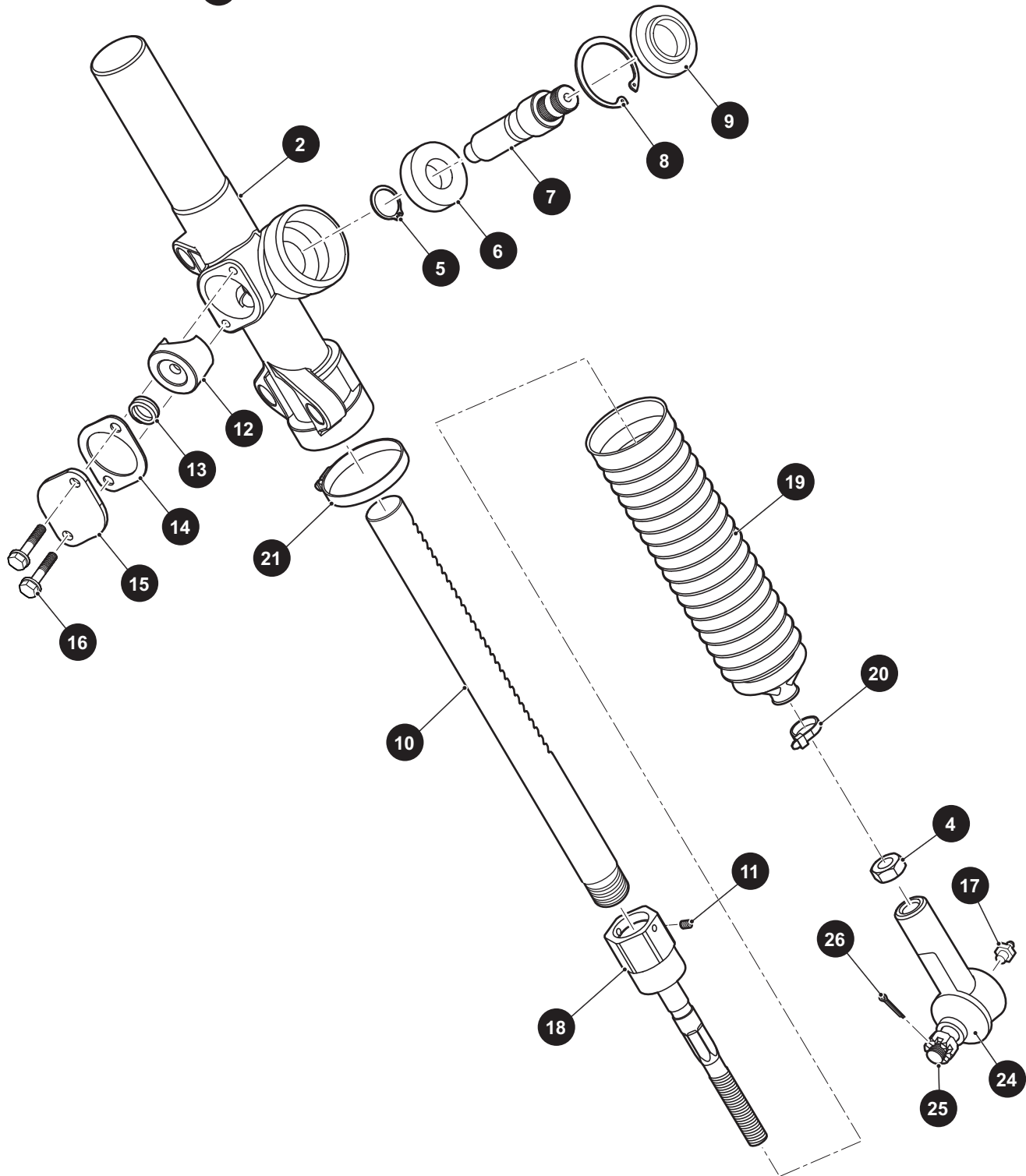
*** Indicates consult Customer Service Department for additional information.

ITEM	PART NO.	1 2 3 4 5	DESCRIPTION	QTY.
32	00464G8		HEX HEAD BOLT, 7/16" - 14 X 2 3/4" LG.....	2
33	01068G01		HEX HEAD BOLT, 7/16" - 14 X 3 1/2" LG.....	1
34	70667G02		SPACER, 1.21"	2
35	70667G04		SPACER (SHORT), .69"	1
36	00532G7		HEX NUT, 7/16" - 14	1
37	00560G2		FLAT WASHER, 7/16"	7
38	00734G1		LOCK NUT, 7/16" - 14	3
39	70997G01		COVER.....	1
40	71055G01		RIVET (ALUMINUM), 3/16" X 1" LG.....	1

FRONT SUSPENSION AND STEERING

1 RACK AND PINION UNIT includes items 2 - 23

23 TIE ROD END (OUTER) includes items 24 - 25



FRONT SUSPENSION AND STEERING

THE USE OF NON U.L. PARTS WILL VOID ANY U.L. LISTING.

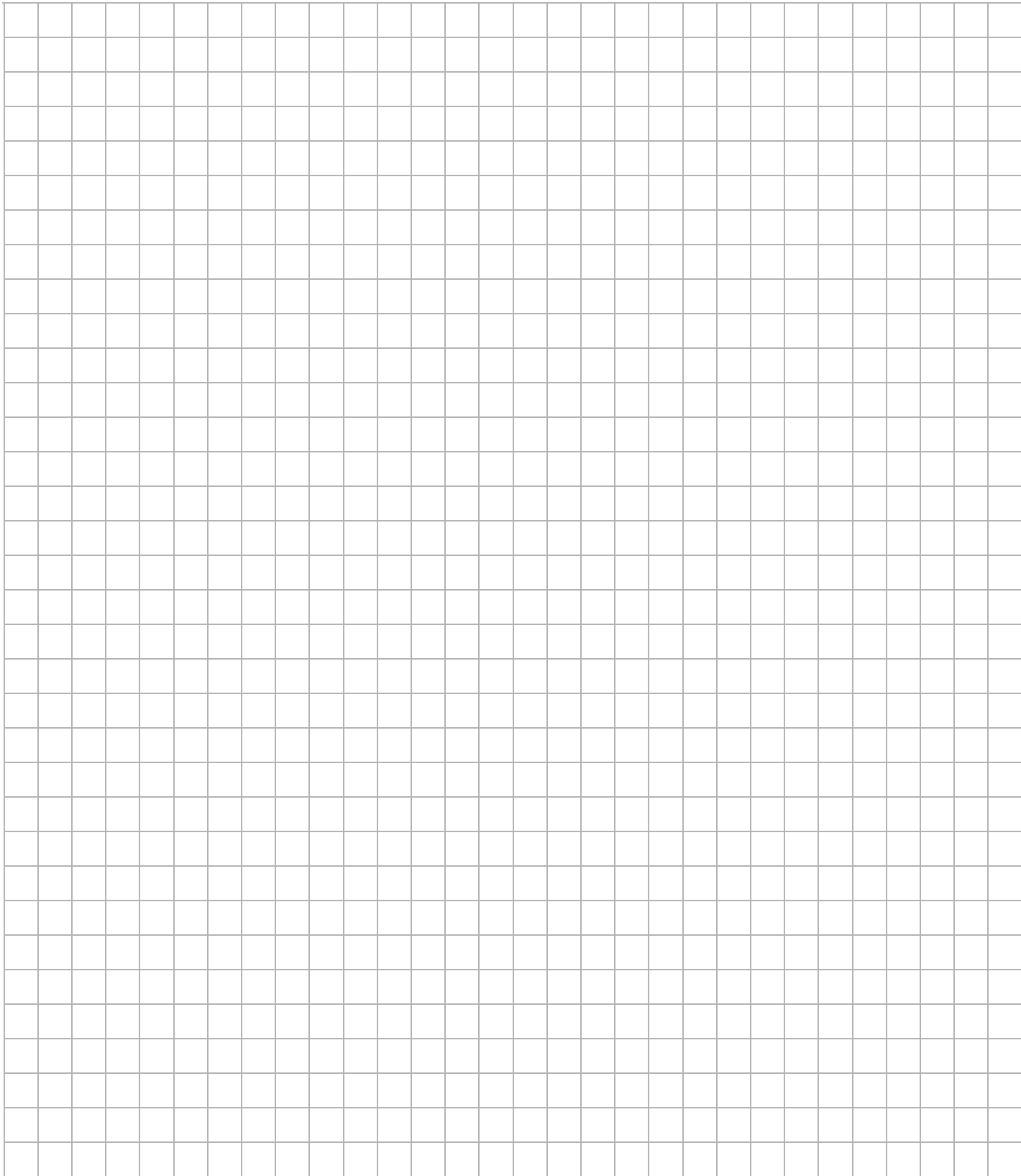
When ordering parts, please specify the model and serial number of the product.

* Indicates a component that is not available as an individual part.

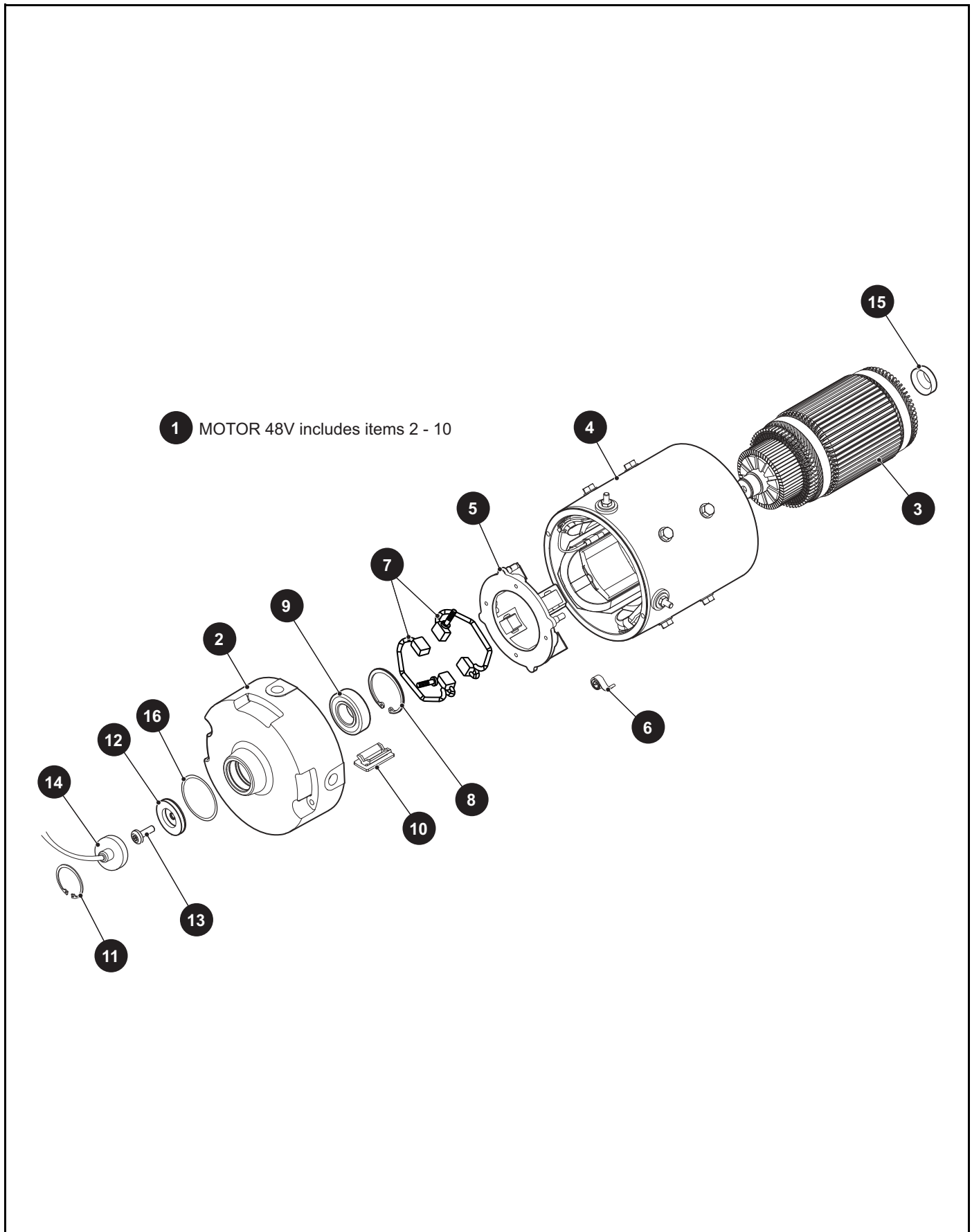
*** Indicates consult Customer Service Department for additional information.

ITEM	PART NO.	1 2 3 4 5	DESCRIPTION	QTY.
1	70964G01		RACK AND PINION UNIT (INCLUDES ITEMS 2 - 23)	1
2	70965G01		STEERING RACK COVER AND BEARING	1
3				
4	*		JAM NUT, 1/2" - 20	1
5	70750G01		RETAINING RING (EXTERNAL)	1
6	15112G1		BALL BEARING	1
7	70603G01		PINION	1
8	70751G01		RETAINING RING (INTERNAL)	1
9	70638G01		SEAL (PINION)	1
10	70604G01		STEERING RACK	1
11	*		SET SCREW, #10 - 32 X .25" LG	1
12	70590G01		RACK LOADER	1
13	70666G01		COMPRESSION SPRING	1
14	70645G01		GASKET (RACK LOADER COVER)	1
15	652259		COVER (RACK LOADER)	1
16	71102G01		HEX WASHER HEAD BOLT, 1/4" - 20 X 11/16" LG	2
17	10389G3		GREASE FITTING (STRAIGHT)	1
18	70694G01		ROD END (INNER)	1
19	70961G01		RACK BOOT	1
20	12416G2		NYLON CLAMP, 11.8" LG	1
21	11391G8		HOSE CLAMP, 1.81"	1
22				
23	70695G01		TIE ROD END (OUTER) (INCLUDES ITEMS 24 - 25)	1
24	50641G1		GROMMET	1
25	*		HEX SLOTTED NUT, 7/16" - 20	1
26	10387G2		COTTER PIN, 3/32" X 1"	1

Notes:



MOTOR



THE USE OF NON U.L. PARTS WILL VOID ANY U.L. LISTING.

When ordering parts, please specify the model and serial number of the product.

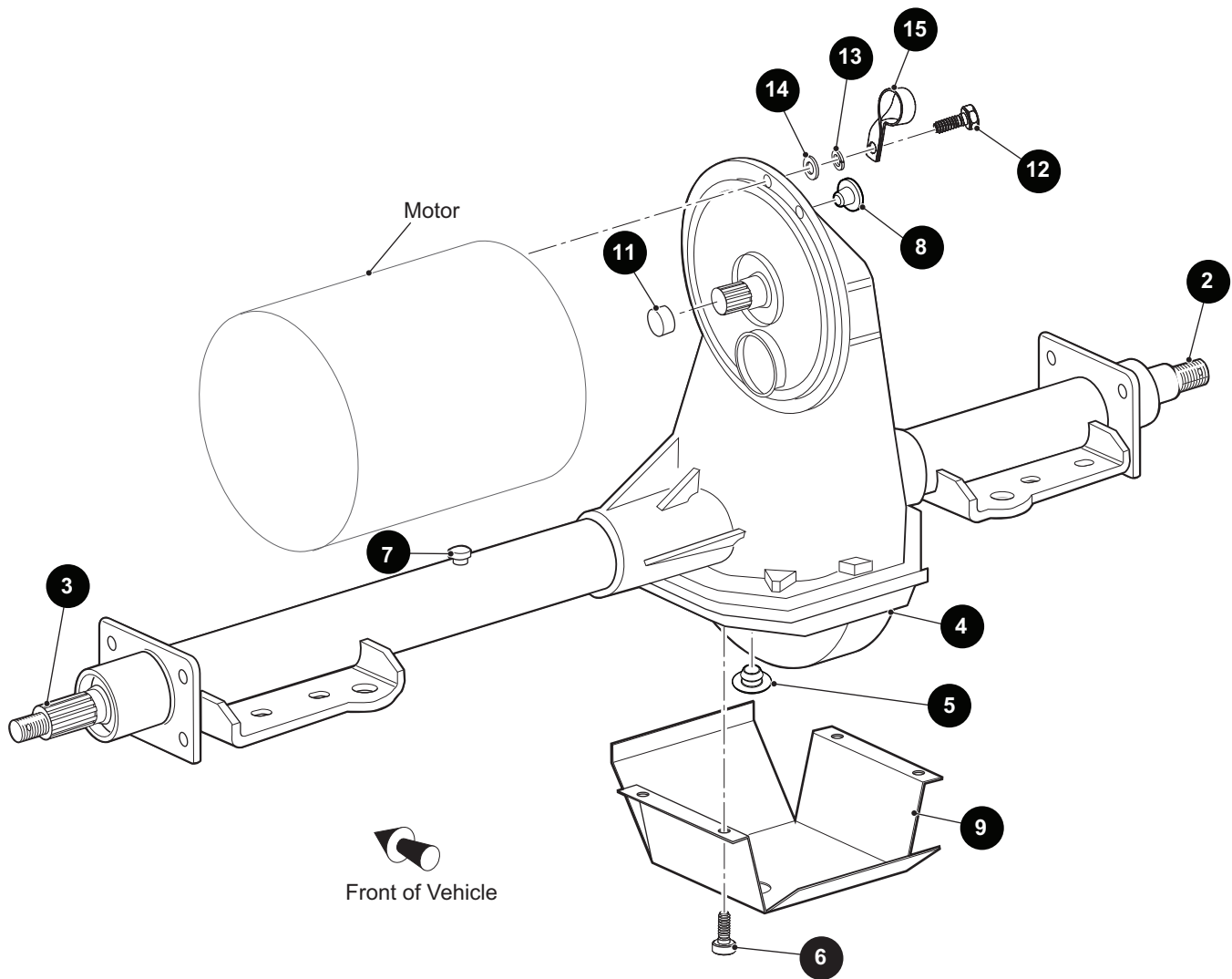
* Indicates a component that is not available as an individual part.

*** Indicates consult Customer Service Department for additional information.

ITEM	PART NO.	1 2 3 4 5	DESCRIPTION	QTY.
1	624105		MOTOR 48V (INCLUDES ITEMS 2 - 10).....	1
2	625886		COMMUTATOR END HEAD	1
3	626171		ARMATURE.....	1
4	626172		FRAME AND FIELD ASSEMBLY.....	1
5	625884		BRUSH BOX ASSEMBLY.....	1
6	73120G03		BRUSH SPRING	4
7	73120G25		BRUSH AND TERMINAL SERVICE KIT	2
8	73120G06		RETAINING RING	1
9	73120G07		BEARING	1
10	625885		COVER.....	1
11	73277G01		RETAINING RING, 1.66".....	1
12	73328G01		SPEED SENSOR MAGNET	1
13	01037G02		PAN HEAD TORX SCREW, #10-32 X 1/2" LG	1
14	620422		SPEED SENSOR HARNESS	1
15	24261G1		BUMPER SPLINE.....	1
16	624109		O-RING, 1 1/2" O.D X 1 3/8" I.D	1

REAR AXLE

1 REAR AXLE ASSEMBLY includes items 2 - 7



REAR AXLE

THE USE OF NON U.L. PARTS WILL VOID ANY U.L. LISTING.

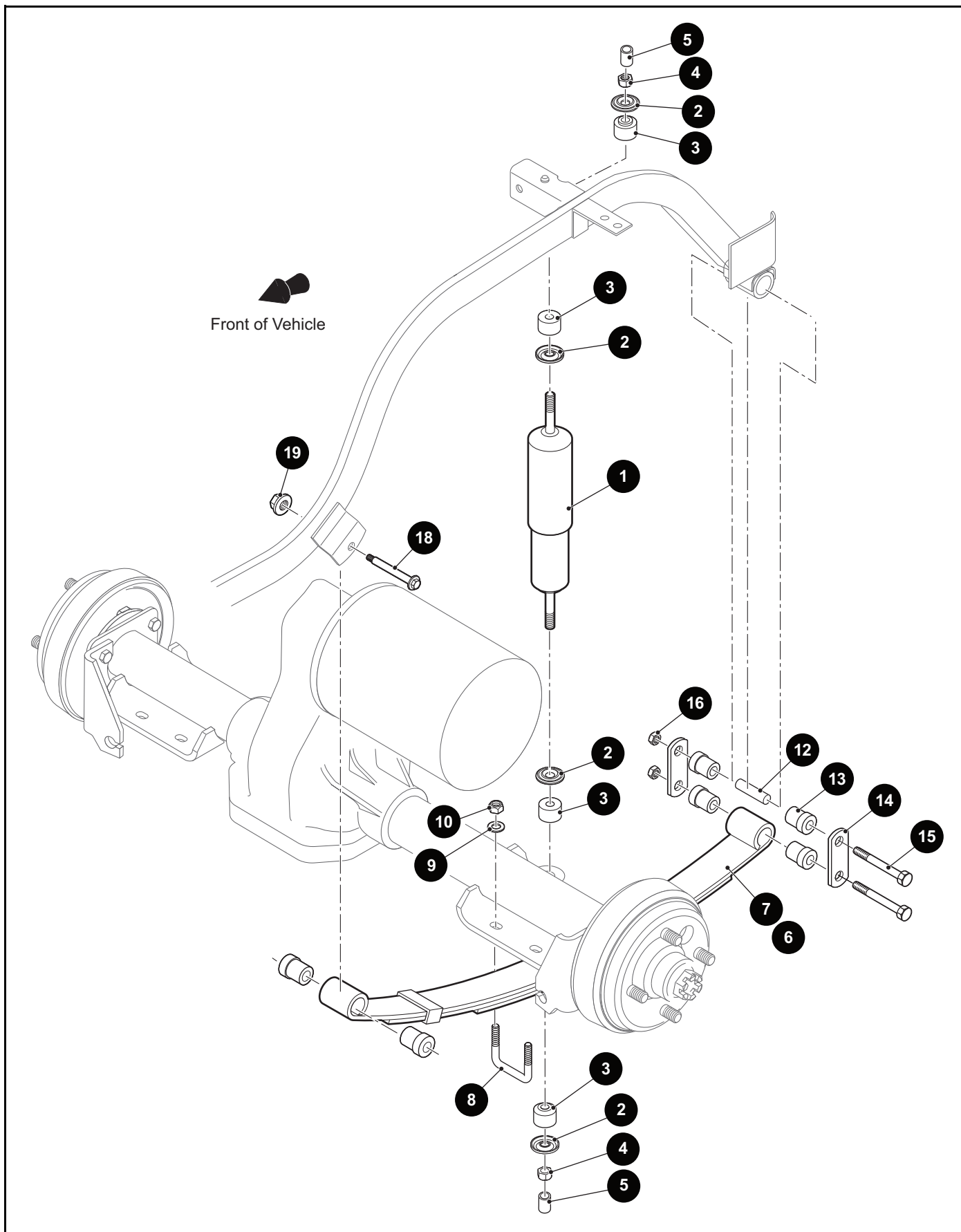
When ordering parts, please specify the model and serial number of the product.

* Indicates a component that is not available as an individual part.

*** Indicates consult Customer Service Department for additional information.

ITEM	PART NO.	1 2 3 4 5	DESCRIPTION	QTY.
1	73500G01		REAR AXLE ASSEMBLY (INCLUDES ITEMS 2 - 7)	1
2	614209		AXLE SHAFT (PASSENGER SIDE).....	1
3	614208		AXLE SHAFT (DRIVER SIDE)	1
4	620348		DIFFERENTIAL COVER	1
5	620347		RUBBER PLUG	1
6	15558G1		FLANGED HEX HEAD BOLT, 5/16" - 18 X 3/4" LG.....	10
7	73050G01		VENT	1
8	624110		PLUG	3
9	72764G02		SCUFF GUARD	1
10				
11	24261G1		SPLINE BUMPER.....	1
12	00797G2		HEX HEAD BOLT, 1/4" - 20 X 1 1/4" LG	3
13	00664G7		LOCK WASHER, 1/4"	3
14	01110G01		FLAT WASHER 1/4"	3
15	27327G02		TWISTED CABLE CLAMP	1

REAR SUSPENSION



REAR SUSPENSION

THE USE OF NON U.L. PARTS WILL VOID ANY U.L. LISTING.
 When ordering parts, please specify the model and serial number of the product.
 * Indicates a component that is not available as an individual part.
 *** Indicates consult Customer Service Department for additional information.

ITEM	PART NO.	1 2 3 4 5	DESCRIPTION	QTY.
1	76418G01		SHOCK ABSORBER.....	1
2	10435G1		SHOCK ABSORBER WASHER.....	4
3	10194G1		RUBBER BUSHING, 1"	4
4	00532G6		HEX JAM NUT, 3/8" - 24	2
5	10044G01		VINYL CAP.....	2
6	658139		LEAF SPRING	1
7	74207G03		HEAVY DUTY LEAF SPRING.....	1
8	72618G01		'U' BOLT, 3/8" - 16 X 2" X 2 1/2" LG	2
9	00560G1		FLAT WASHER, 3/8"	4
10	11098G5		LOCK NUT, 3/8" - 16	4
11				
12	70289G02		SPLIT STEEL SPACER	2
13	624030		FLANGED BUSHING, 21.5MM.....	6
14	652245		SHACKLE PLATE	2
15	00665G9		HEX HEAD BOLT (SS), 3/8" - 16 X 3 1/2" LG	2
16	11098G5		LOCK NUT, 3/8" - 16	2
17				
18	14158G1		SHOULDER BOLT, 1/2" / 3/8" - 16 X 3 1/4" LG	1
19	12262G1		LOCK NUT, 3/8" - 16	1

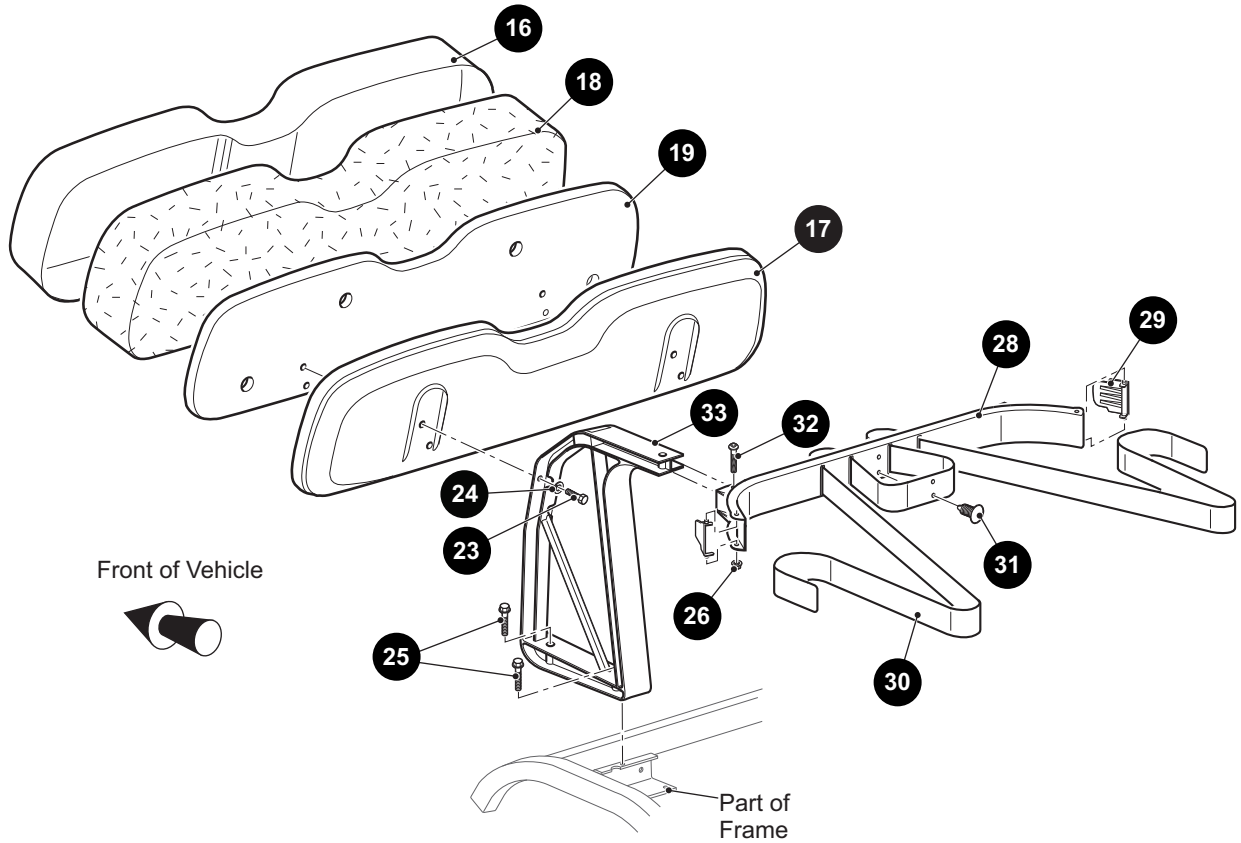
Notes:

Grid area for notes.

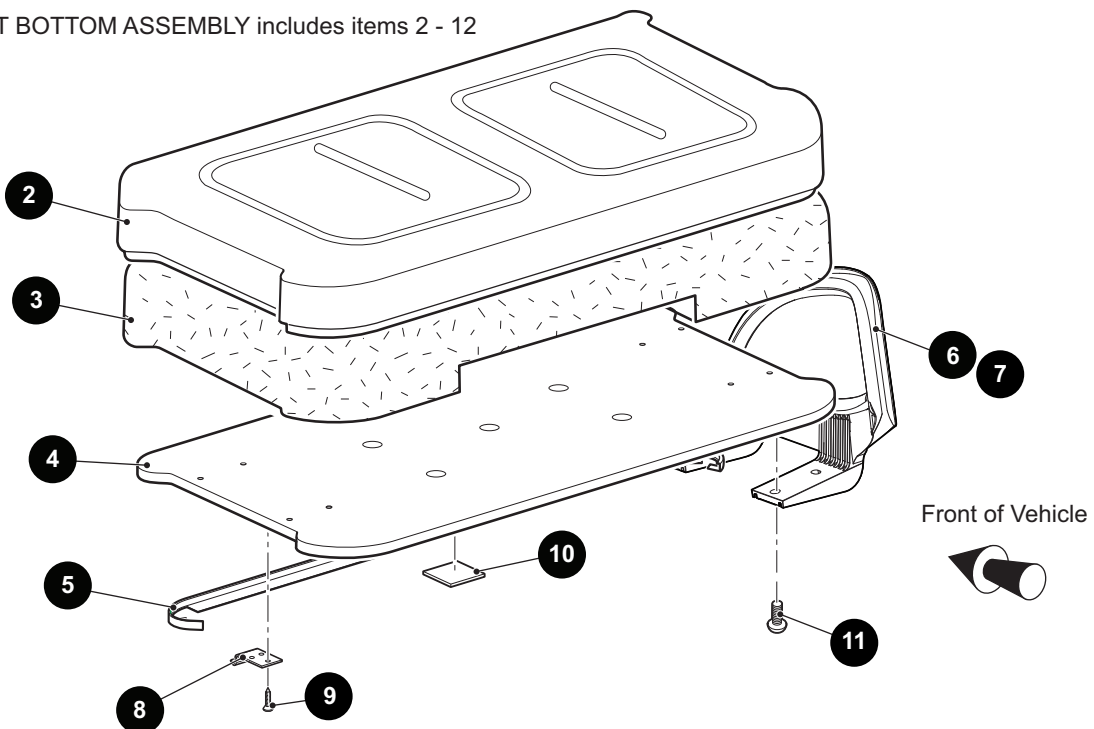
SEATING

15 SEAT BACK ASSEMBLY includes items 16 - 20

27 BAG HOLDER ASSEMBLY includes items 28 - 29



1 SEAT BOTTOM ASSEMBLY includes items 2 - 12



THE USE OF NON U.L. PARTS WILL VOID ANY U.L. LISTING.

When ordering parts, please specify the model and serial number of the product.

* Indicates a component that is not available as an individual part.

*** Indicates consult Customer Service Department for additional information.

ITEM	PART NO.	1 2 3 4 5	DESCRIPTION	QTY.
1	***		SEAT BOTTOM ASSEMBLY (INCLUDES ITEMS 2 - 12) 629269G0101 OYSTER 629269G0103 TAN 629269G0104 GREY 629269G0108 CUSTOM SOLID 629269G0106 BLACK	1
2	***		SEAT BOTTOM COVER 71602G03 OYSTER 71602G02 GREY 71602G04 TAN 71602G05 CUSTOM SOLID 71602G06 BLACK	1
3	71603G02		FOAM PADDING (SEAT BOTTOM)	1
4	645492		SEAT BOTTOM	1
5	71012G01		VINYL TRIM (SEAT BOTTOM).....	1
6	617644		HIP RESTRAINT (PASSENGER SIDE)	1
7	617645		HIP RESTRAINT (DRIVER SIDE).....	1
8	71610G01		SEAT HINGE	2
9	00720G08		PHILLIPS HEAD TAPPING SCREW, #12 -14 X 1" LG.....	3
10	17074G1		SOILING SLAB.....	2
11	615417		BUTTON HEAD TORX BOLT, M10 - 1.5 X 25MM LG.....	4
12	17618G1		NYLON CLAMP, 7" LG (NOT ILLUSTRATED)	1
13				
14				
15	***		SEAT BACK ASSEMBLY (INCLUDES ITEMS 16 - 20)..... 625229G0101 OYSTER 625229G0103 TAN 625229G0104 GREY 625229G0108 CUSTOM SOLID 625229G0106 BLACK	1
16	***		VINYL SEAT BACK COVER 625234G01 OYSTER 625234G03 TAN 625234G04 GREY 625234G08 CUSTOM SOLID 625234G06 BLACK	1
17	625239		PLASTIC SEAT BACK COVER.....	1
18	625233		FOAM PADDING (SEAT BACK).....	1
19	644266		SEAT BACK BASE	1

SEATING

THE USE OF NON U.L. PARTS WILL VOID ANY U.L. LISTING.

When ordering parts, please specify the model and serial number of the product.

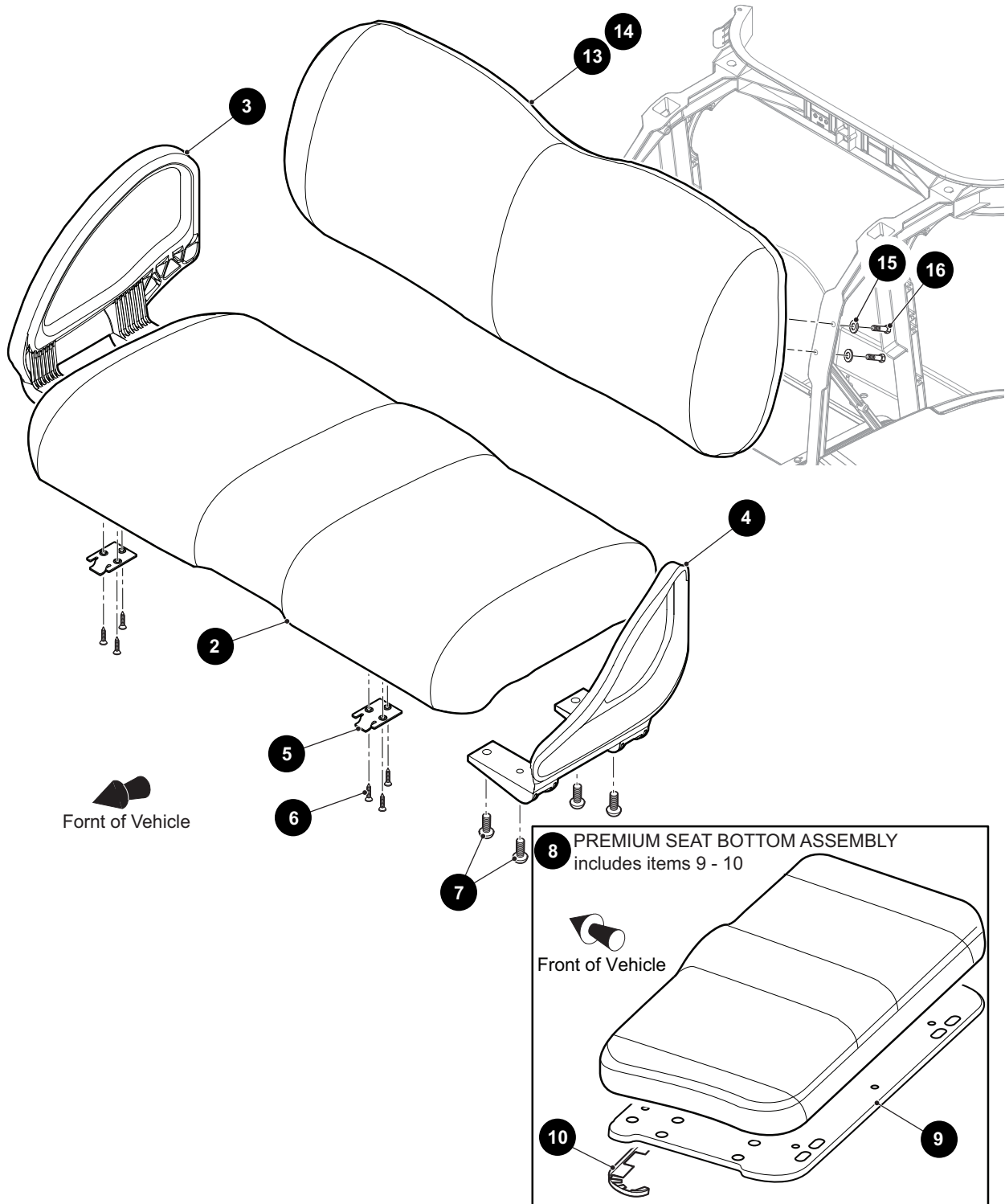
* Indicates a component that is not available as an individual part.

*** Indicates consult Customer Service Department for additional information.

ITEM	PART NO.	1	2	3	4	5	DESCRIPTION	QTY.
20	17618G1						NYLON CLAMP, 7" LG (NOT ILLUSTRATED).....	1
21								
22								
23	605056						HEX HEAD BOLT (SS), 1/4" - 20 X 1" LG	2
24	00664G7						LOCK WASHER (SS), 1/4"	2
25	01075G01						HEX HEAD BOLT, 3/8" - 16 X 2 1/2" LG.....	2
26	11027G2						LOCK NUT, 1/4" - 20	1
27	618206						BAG HOLDER ASSEMBLY (INCLUDES ITEMS 28 - 29)	1
28	610642						BAG HOLDER BRACKET.....	1
29	608051						BAG RETAINER CLAMP	1
30	71853G01						BAG RETAINER STRAP	1
31	16816G1						RATCHET FASTENER, 1/4" X 9/16" LG	2
32	01102G01						CARRIAGE BOLT (SS), 1/4" - 20 X 1 1/2" LG.....	1
33	71811G03						SEAT SUPPORT BRACKET	1

PREMIUM SEAT OPTION

- 1** PREMIUM SEAT BOTTOM ASSEMBLY includes items 2 - 7
- 12** PREMIUM SEAT BOTTOM ASSEMBLY includes items 3 - 8



THE USE OF NON U.L. PARTS WILL VOID ANY U.L. LISTING.

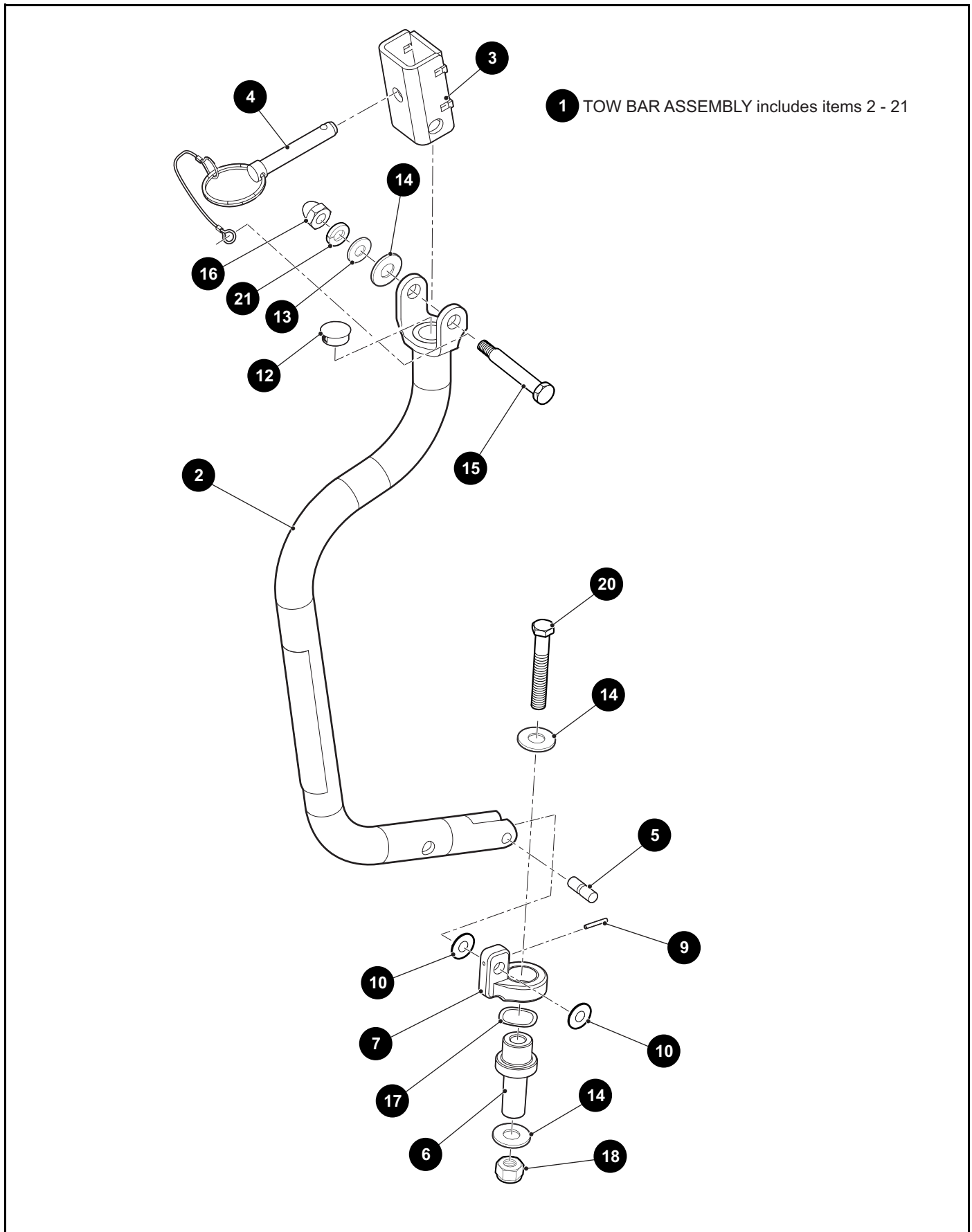
When ordering parts, please specify the model and serial number of the product.

* Indicates a component that is not available as an individual part.

*** Indicates consult Customer Service Department for additional information.

ITEM	PART NO.	1 2 3 4 5	DESCRIPTION	QTY.
1	***		PREMIUM SEAT BOTTOM ASSEMBLY (INCLUDES ITEMS 2 - 7) 629269G1917 LIGHT BEIGE	1
2	***		PREMIUM SEAT BOTTOM COVER 654085G17 LIGHT BEIGE	1
3	617644		HIP RESTRAINT (PASSENGER SIDE)	1
4	617645		HIP RESTRAINT (DRIVER SIDE)	1
5	71610G01		SEAT HINGE	2
6	00720G08		PHILLIPS HEAD TAPPING SCREW, #12 -14 X 1" LG.....	6
7	615417		BUTTON HEAD TORX BOLT, M10 - 1.5 X 25MM LG	8
8	***		PREMIUM SEAT BOTTOM (INCLUDES ITEMS 9 - 10)..... 686151G18 MUSHROOM 686151G19 PREMIUM GRAY 686151G20 PREMIUM CUSTOM	1
9	645492		SEAT BOTTOM.....	1
10	71012G01		VINYL TRIM (SEAT BOTTOM)	2
11				
12	***		PREMIUM SEAT BOTTOM ASSEMBLY (INCLUDES ITEMS 3 - 8) 629269G1918 MUSHROOM 629269G1919 GRAY 629269G1920 CUSTOM	1
13	***		PREMIUM SEAT BACK ASSEMBLY 654084G17 LIGHT BEIGE	1
14	***		PREMIUM SEAT BACK ASSEMBLY 686150G18 MUSHROOM 686150G19 GRAY 686150G20 CUSTOM	1
15	00664G7		LOCK WASHER (SS), 1/4"	4
16	605056		HEX HEAD BOLT (SS), 1/4" - 20 X 1" LG	4

TOW BAR



THE USE OF NON U.L. PARTS WILL VOID ANY U.L. LISTING.

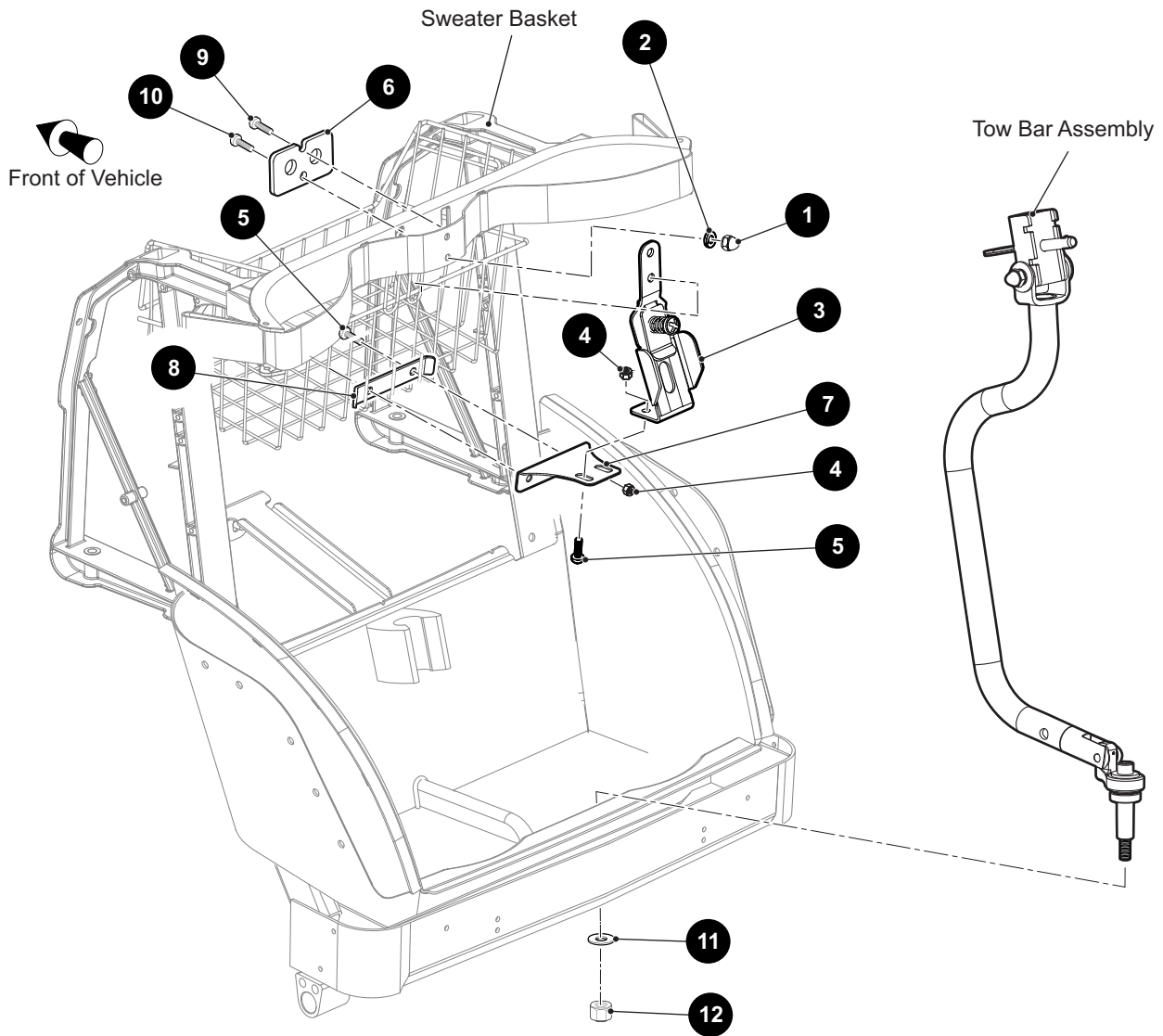
When ordering parts, please specify the model and serial number of the product.

* Indicates a component that is not available as an individual part.

*** Indicates consult Customer Service Department for additional information.

ITEM	PART NO.	1 2 3 4 5	DESCRIPTION	QTY.
1	636433		TOWBAR ASSEMBLY (INCLUDES ITEMS 2 - 21).....	1
2	635820		TOWBAR WELDMENT	1
3	635461		COUPLING WELDMENT	1
4	649863		HITCH PIN ASSEMBLY (SHORT).....	1
5	75360G01		PIVOT PIN	1
6	625582		TOWBAR PIVOT	1
7	625458		TOWBAR SWIVEL	1
8				
9	608793		PIN, 3MM X 22MM	1
10	75340G01		FLAT WASHER (DELFIN), M10	2
11				
12	20271G6		HOLE PLUG, .875".....	1
13	00560G1		FLAT WASHER, 3/8"	1
14	00571G5		FLAT WASHER, 5/16"	3
15	14158G1		SHOULDER BOLT, 1/2" / 3/8" - 16 X 2 3/4" LG.....	1
16	15717G5		ACORN NUT, 3/8" - 16	1
17	603341		WAVY WASHER, 32MM.....	1
18	11098G8		LOCK NUT, 3/8" - 16	1
19				
20	00410G8		HEX HEAD BOLT, 1/2" - 20 X 3" LG.....	1
21	00566G1		SPRING LOCK WASHER, 7/16"	1

TOW BAR



THE USE OF NON U.L. PARTS WILL VOID ANY U.L. LISTING.

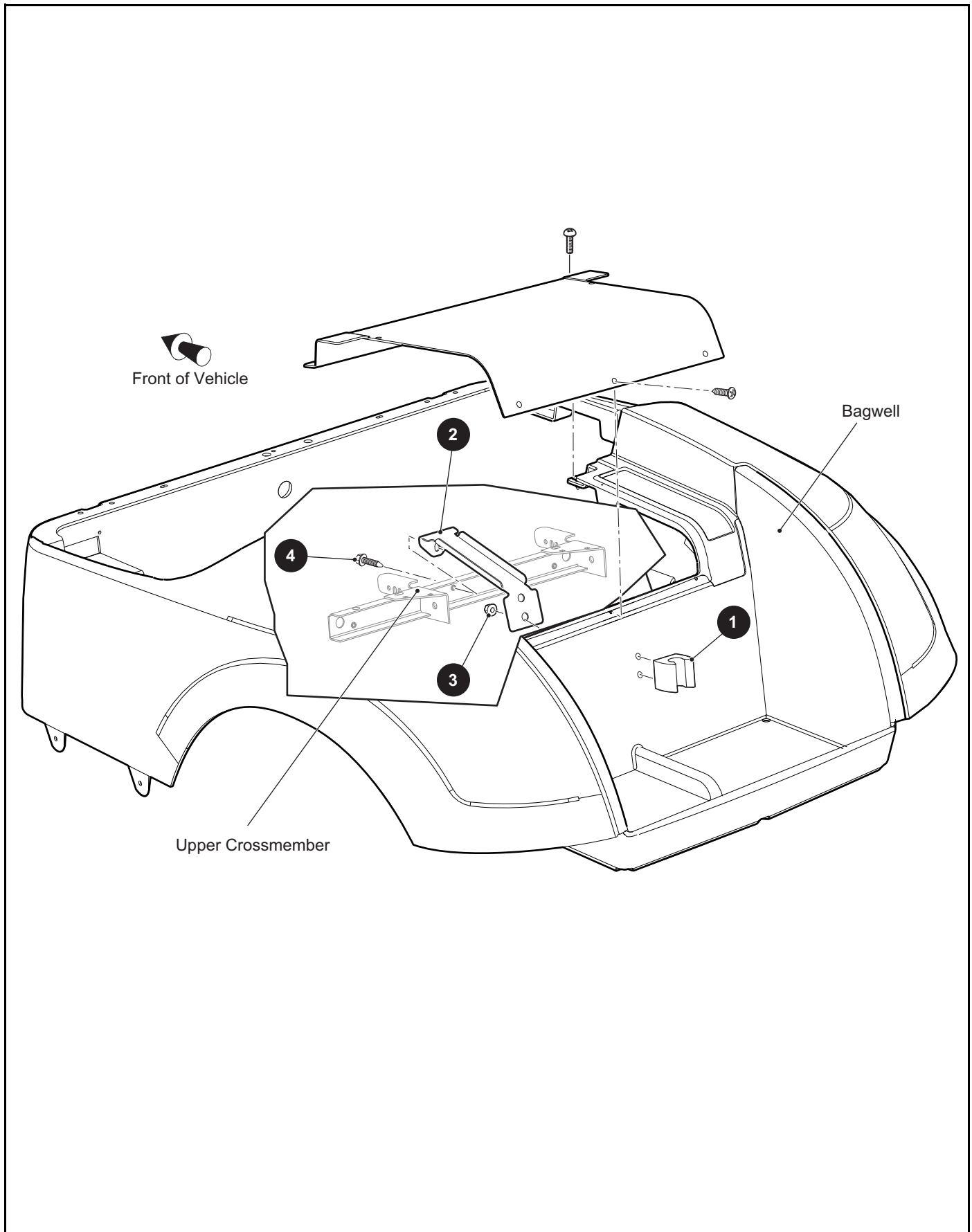
When ordering parts, please specify the model and serial number of the product.

* Indicates a component that is not available as an individual part.

*** Indicates consult Customer Service Department for additional information.

ITEM	PART NO.	1 2 3 4 5	DESCRIPTION	QTY.
1	00520G1		ACORN NUT.....	2
2	00664G7		LOCK WASHER, 1/4"	2
3	641540		TOWBAR BRACKET	1
4	14390G4		LOCK NUT, 1/4" - 20.....	4
5	16705G2		PAN HEAD PHILLIPS SCREW, 1/4" - 20 X 5/8" LG	4
6	641600		MOUNTING BRACKET.....	1
7	641547		SUPPORT BRACKET	1
8	641599		RETAINER	1
9	16705G5		PAN HEAD PHILLIPS SCREW, 1/4" - 20 X 1 1/2" LG	1
10	16705G6		PAN HEAD PHILLIPS SCREW, 1/4" - 20 X 1 3/4" LG	1
11	00571G5		FLAT WASHER, 5/16"	1
12	11098G8		LOCK NUT, 3/8" - 16.....	1

TOW BAR

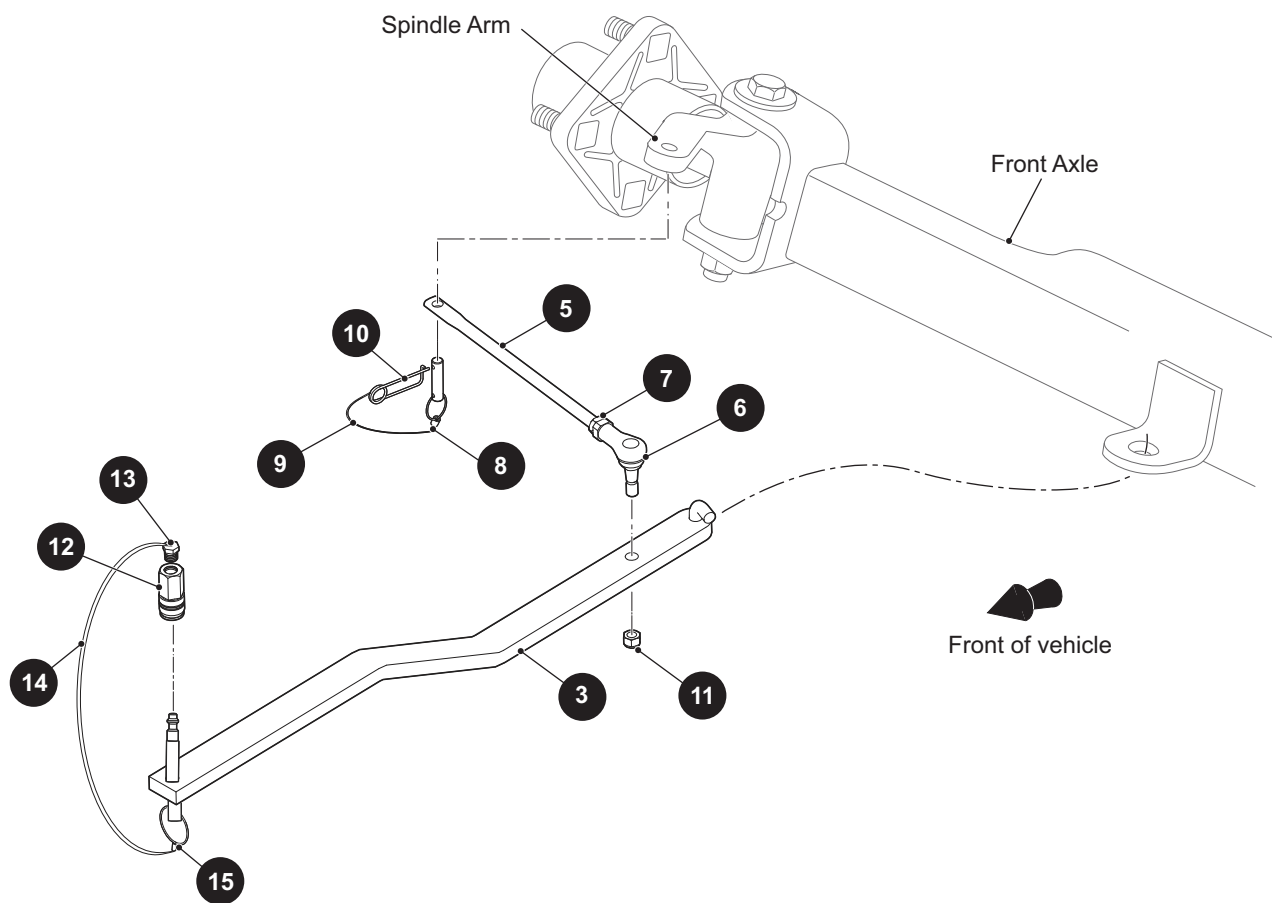


THE USE OF NON U.L. PARTS WILL VOID ANY U.L. LISTING.
 When ordering parts, please specify the model and serial number of the product.
 * Indicates a component that is not available as an individual part.
 *** Indicates consult Customer Service Department for additional information.

ITEM	PART NO.	1 2 3 4 5	DESCRIPTION	QTY.
1	603020		TOWBAR RETAINER	1
2	637479		RETAINER BRACKET	1
3	600525		LOCK NUT, M10 - 1.5	2
4	00715G2		TRUSS HEAD SCREW, 5/16" - 18 X .80" LG	1

TOW BAR

- 1 CASUAL TOW BAR KIT includes item 2
- 2 CASUAL TOW BAR ASSEMBLY includes items 3 - 15
- 4 TIE ROD ASSEMBLY includes items 5 - 7



THE USE OF NON U.L. PARTS WILL VOID ANY U.L. LISTING.

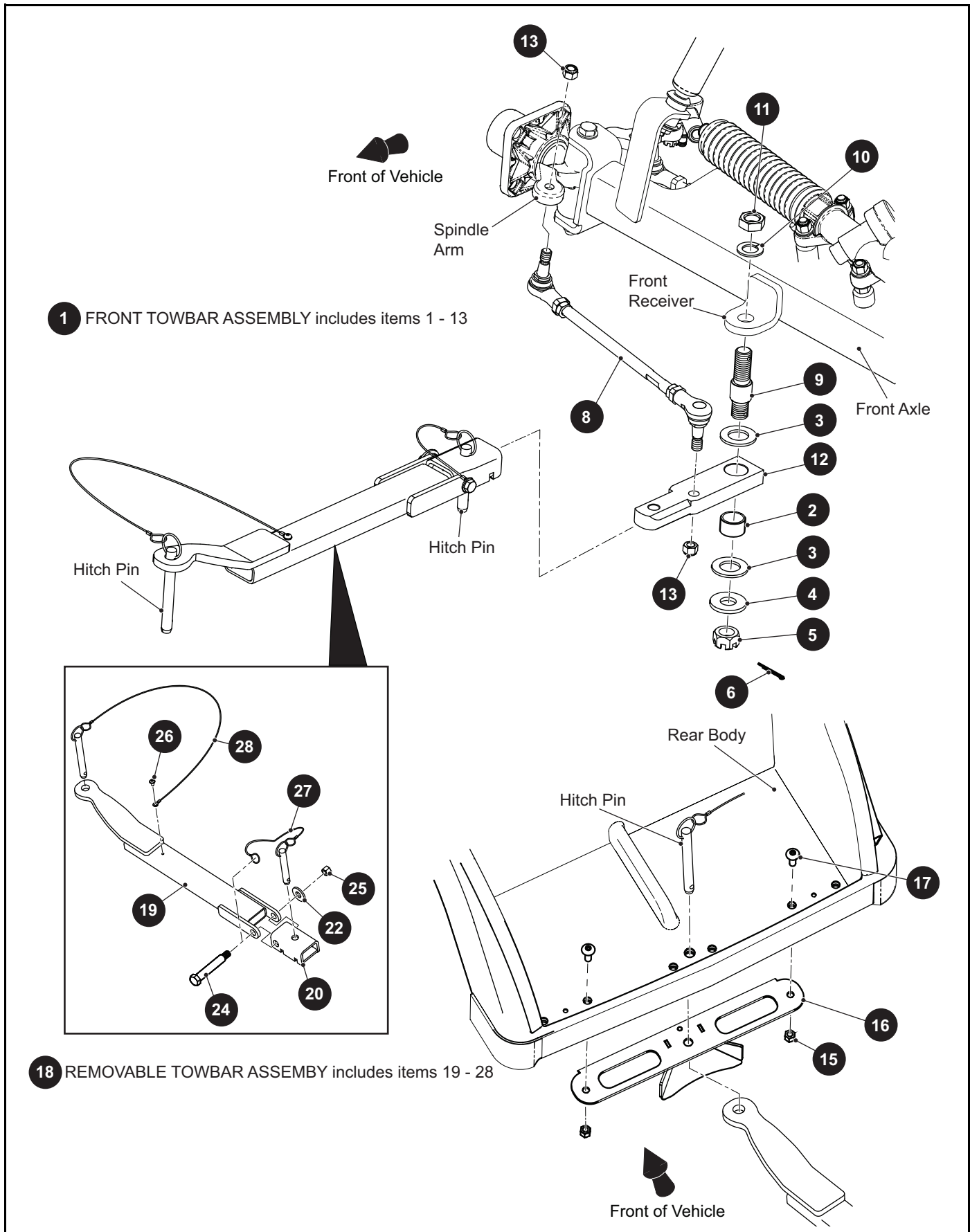
When ordering parts, please specify the model and serial number of the product.

* Indicates a component that is not available as an individual part.

*** Indicates consult Customer Service Department for additional information.

ITEM	PART NO.	1 2 3 4 5	DESCRIPTION	QTY.
1	625284		CASUAL TOW BAR KIT (INCLUDES ITEM 2)	1
2	625282		CASUAL TOW BAR ASSEMBLY (INCLUDES ITEMS 3 -15)	1
3	625327		TOW BAR WELDMENT	1
4	625328		TIE ROD ASSEMBLY (INCLUDES ITEMS 5 - 7).....	1
5	625329		TIE ROD WELDMENT.....	1
6	70902G01		TIE ROD END (DRIVER SIDE)	1
7	01069G01		JAM NUT, M12 - 1.25	1
8	16783G1		FERRULE	1
9	14869G5		WIRE ROPE, 6" LG	1
10	75068G01		SAFETY PIN	1
11	00734G1		LOCK NUT, 7/16" - 14	1
12	75060G01		COUPLING	1
13	75035G02		HEX HEAD PLUG WITH HOLE, 1/4" - 18	1
14	14869G3		WIRE ROPE, 20" LG	1
15	75067G01		FERRULE	1

TOW BAR



THE USE OF NON U.L. PARTS WILL VOID ANY U.L. LISTING.

When ordering parts, please specify the model and serial number of the product.

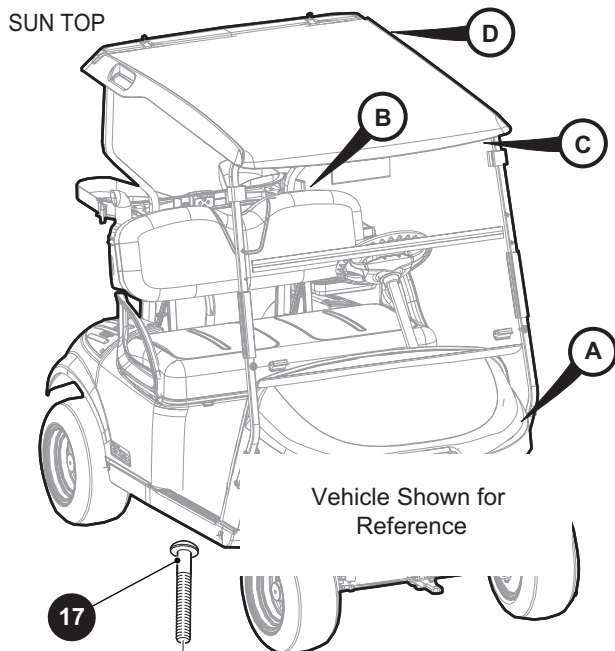
* Indicates a component that is not available as an individual part.

*** Indicates consult Customer Service Department for additional information.

ITEM	PART NO.	1 2 3 4 5	DESCRIPTION	QTY.
1	637319		FRONT TOWBAR ASSEMBLY (INCLUDES ITEMS 1 - 13)	1
2	75307G01		BEARING	1
3	75309G01		THRUST BEARING	2
4	75342G01		FLAT WASHER, 1.7" O.D. X .781" I.D.	1
5	00518G8		CASTLE NUT, 3/4" - 16	1
6	10387G1		COTTER PIN, .125" X 1.50" LG	1
7				
8	625811		TIE ROD ASSEMBLY	1
9	75292G01		PIVOT BOLT, 3/4" - 16 X 3.71" LG	1
10	00566G6		LOCK WASHER, 3/4"	1
11	00533G8		HEX NUT, 1/2" - 13	1
12	635632		FRONT PIVOT BAR	1
13	00734G1		LOCK NUT, 7/16" - 14	2
14	31539G1		NYLON CLAMP (NOT ILLUSTRATED)	2
15	11098G5		LOCK NUT, 3/8" - 16	2
16	635620		REAR TOWBAR RECEIVER	1
17	73653G01		TRUSS HEAD TORX SCREW, 3/8" - 16 X 1.5" LG	2
18	635736		REMOVABLE TOWBAR ASSEMBY (INCLUDES ITEMS 19 - 28)	1
19	635428		TOWBAR TONGUE WELDMENT	1
20	635461		TOWBAR COUPLING WELDMENT	1
21				
22	00571G5		FLAT WASHER (SS), 1/4"	1
23				
24	14158G1		HEX HEAD BOLT, 3/8" - 16 X 2.75" LG	1
25	11098G5		LOCK NUT, 3/8" - 16	1
26	637563		SELF TAPPING SCREW, M4 - 1 X 14/12MM LG	1
27	649863		HITCH PIN ASSEMBLY (SHORT)	1
28	641171		HITCH PIN ASSEMBLY (LONG)	1

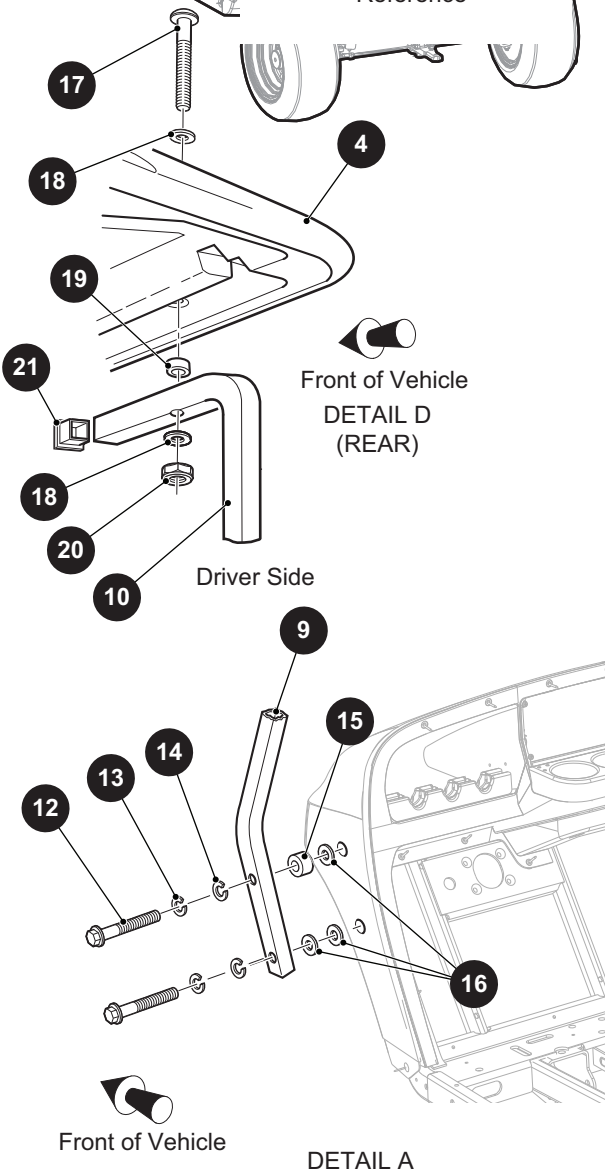
WEATHER PROTECTION

SUN TOP



Vehicle Shown for Reference

- 1 SUN TOP KIT, 54" (TAN) includes items 4, 8
- 2 SUN TOP KIT, 54" (BEIGE) includes items 5, 8
- 3 SUN TOP KIT, 54" (BLACK) includes items 6, 8
- 8 STRUT SET KIT, 1" includes items 9 - 11
- 11 SUN TOP HARDWARE KIT includes items 12 - 25
- 27 SUN TOP KIT, 54", (TAN), (GPS MOUNTING) includes items 4, 30, 32
- 28 SUN TOP KIT, 54", (BEIGE), (GPS MOUNTING) includes items 5, 30, 32
- 29 SUN TOP KIT, 54", (BLACK), (GPS MOUNTING) includes items 6, 30, 32
- 30 FRONT STRUT KIT (GPS MOUNTING) includes items 9, 31, 32
- 33 REAR STRUT SET KIT, 1" includes items 10, 11

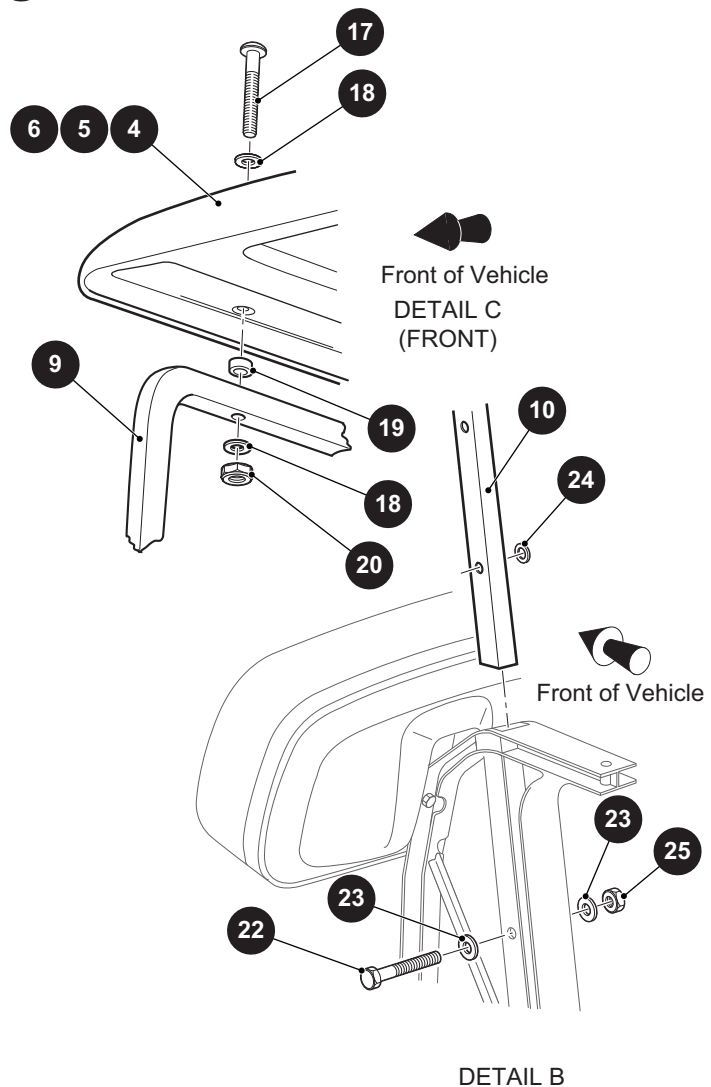


Front of Vehicle
DETAIL D
(REAR)

Driver Side

Front of Vehicle

DETAIL A



Front of Vehicle
DETAIL C
(FRONT)

Front of Vehicle

DETAIL B

WEATHER PROTECTION

THE USE OF NON U.L. PARTS WILL VOID ANY U.L. LISTING.

When ordering parts, please specify the model and serial number of the product.

* Indicates a component that is not available as an individual part.

*** Indicates consult Customer Service Department for additional information.

ITEM	PART NO.	1 2 3 4 5	DESCRIPTION	QTY.
1	625299G01		SUN TOP KIT, 54" (TAN) (INCLUDES ITEMS 4, 8).....	1
2	625299G02		SUN TOP KIT, 54" (BEIGE) (INCLUDES ITEMS 5, 8).....	1
3	625299G03		SUN TOP KIT, 54" (BLACK) (INCLUDES ITEMS 6, 8).....	1
4	625290		SUN TOP (TAN)	1
5	625291		SUN TOP (BEIGE)	1
6	625292		SUN TOP (BLACK).....	1
7				
8	635005		STRUT SET KIT, 1" (INCLUDES ITEM 9 - 11)	1
9	625294G01		FRONT STRUT	1
10	75046G01		REAR STRUT	1
11	625296		SUN TOP HARDWARE KIT (INCLUDES ITEMS 12 - 25)	1
12	*		HEX HEAD BOLT, 5/16" - 18 X 2 1/4" LG.....	2
13	*		FLAT WASHER, 5/16"	2
14	*		LOCK WASHER, 5/16"	2
15	*		SPACER, .328" I.D. X .75" O.D. X .5" LG.....	1
16	*		FLAT WASHER, 5/16"	3
17	*		HEX HEAD BOLT, 1/4" - 20 X 2 1/2" LG.....	2
18	*		FLAT WASHER (SS), 1/4"	4
19	*		SPACER (PLASTIC), .28" I.D. X .56" O.D. X .74" LG	2
20	*		LOCK NUT (SS), 1/4" - 20.....	2
21	*		END CAP, 1" SQ.....	1
22	*		HEX HEAD BOLT (SS), 5/16" - 18 X 1 3/4" LG	2
23	*		FLAT WASHER (SS), 5/16"	4
24	*		TEFLON WASHER, 5/16".....	2
25	*		LOCK NUT (SS), 5/16" - 18.....	2
26				
27	625299G07		SUN TOP KIT, 54" (TAN) (GPS MOUNTING) (INCLUDES ITEMS 4, 30, 32)	1
28	625299G08		SUN TOP KIT, 54" (BEIGE) (GPS MOUNTING) (INCLUDES ITEMS 5, 30, 32)	1
29	625299G09		SUN TOP KIT, 54" (BLACK) (GPS MOUNTING) (INCLUDES ITEMS 6, 30, 32)	1

WEATHER PROTECTION

THE USE OF NON U.L. PARTS WILL VOID ANY U.L. LISTING.

When ordering parts, please specify the model and serial number of the product.

* Indicates a component that is not available as an individual part.

*** Indicates consult Customer Service Department for additional information.

ITEM	PART NO.	1	2	3	4	5	DESCRIPTION	QTY.
30	647670						FRONT STRUT KIT (GPS MOUNTING) (INCLUDES ITEMS 9, 31, 32) ..	1
31	643882G03						GPS MOUNTING SYSTEM (NOT ILLUSTRATED).....	1
32	664522G06						GPS MOUNTING SYSTEM (NOT ILLUSTRATED).....	1
33	647636						REAR STRUT SET KIT, 1" (INCLUDES ITEMS 10, 11)	1

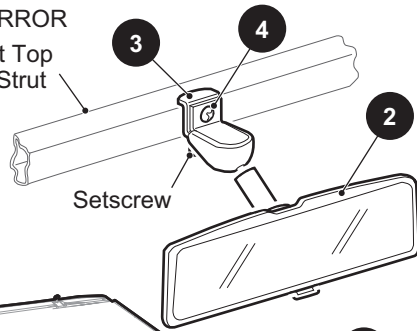
Notes:

Large grid area for notes.

WEATHER PROTECTION

REAR VIEW MIRROR

Front Top Strut

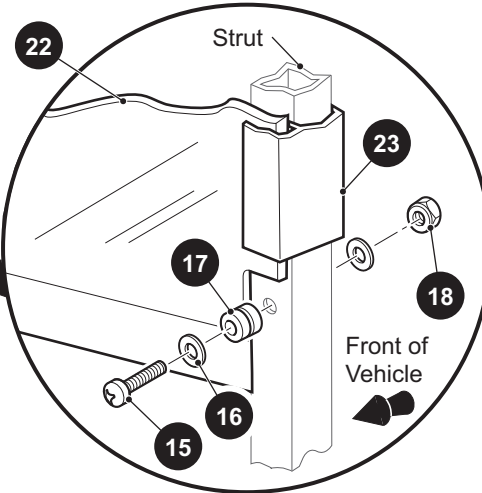
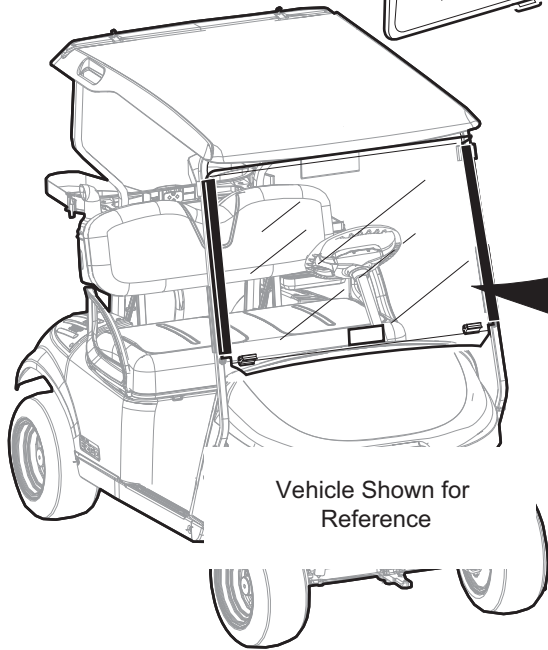


1 REAR VIEW MIRROR KIT includes items 2 - 4

6 WINDSHIELD KIT, SPLIT includes items 7 - 14

7 SPLIT WINDSHIELD ASSEMBLY includes items 8 - 11

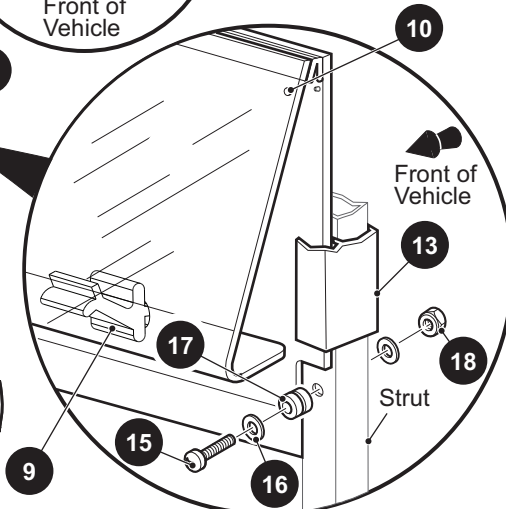
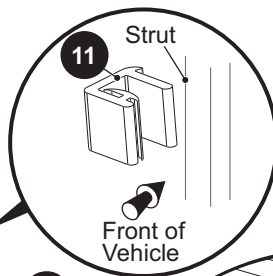
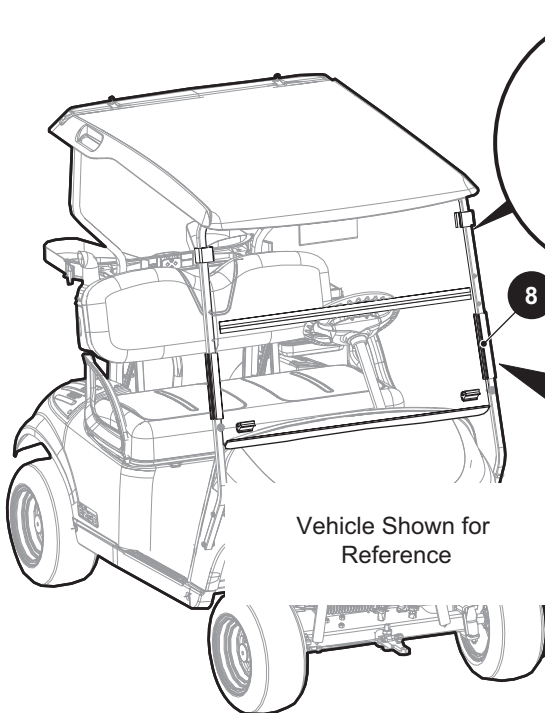
14 HARDWARE KIT includes items 15 - 18



FULL WINDSHIELD

20 WINDSHIELD KIT, FULL includes items 14, 21 - 23

21 FULL WINDSHIELD ASSEMBLY includes items 22



SPLIT WINDSHIELD

WEATHER PROTECTION

THE USE OF NON U.L. PARTS WILL VOID ANY U.L. LISTING.

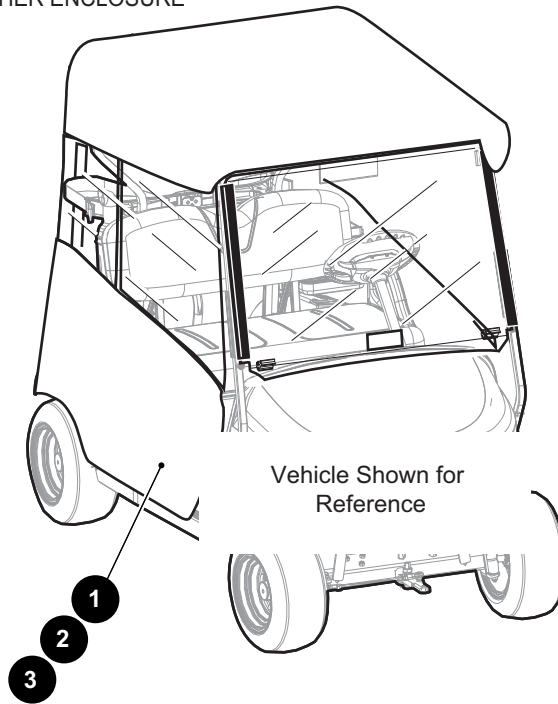
When ordering parts, please specify the model and serial number of the product.

* Indicates a component that is not available as an individual part.

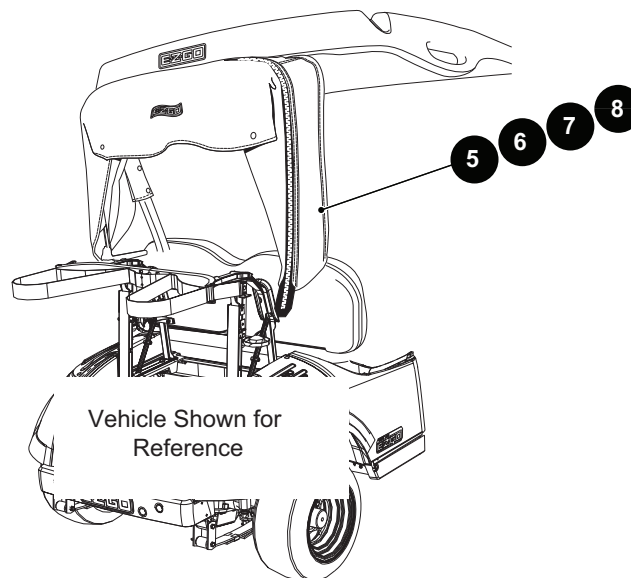
*** Indicates consult Customer Service Department for additional information.

ITEM	PART NO.	1 2 3 4 5	DESCRIPTION	QTY.
1	19528G2		REAR VIEW MIRROR KIT (INCLUDES ITEMS 2 - 4)	1
2	19496G1		REAR VIEW MIRROR	1
3	19502G2		SUPPORT BRACKET	1
4	19527G1		PAN HEAD PHILLIPS SCREW (SS), #8 - 32 X 5/8" LG	1
5				
6	625279G01		WINDSHIELD KIT, SPLIT (INCLUDES ITEMS 7 - 14).....	1
7	625275		WINDSHIELD ASSEMBLY, SPLIT (INCLUDES ITEMS 8 - 11)	1
8	*		SPLIT WINDSHIELD	1
9	603201		LOWER LATCH	2
10	604115		GROMMET	4
11	625230		UPPER LATCH	2
12				
13	625228		SASH, 9" LG.....	2
14	625271		HARDWARE KIT (INCLUDES ITEMS 15 - 18)	1
15	00753G5		TRUSS HEAD PHILLIPS SCREW, 1/4" - 20 X 2" LG	1
16	01110G01		FLAT WASHER (SS), 1/4".....	2
17	625278		RUBBER GROMMET	1
18	00654G2		LOCK NUT (SS), 1/4" - 20	1
19				
20	625279G03		WINDSHIELD KIT, FULL (INCLUDES ITEMS 14, 21 - 23).....	1
21	*		WINDSHIELD ASSEMBLY, FULL (INCLUDES ITEMS 22)	1
22	*		WINDSHIELD FULL	1
23	625227		SASH, 26" LG.....	2

WEATHER ENCLOSURE



BAG COVER KIT



WEATHER PROTECTION

THE USE OF NON U.L. PARTS WILL VOID ANY U.L. LISTING.

When ordering parts, please specify the model and serial number of the product.

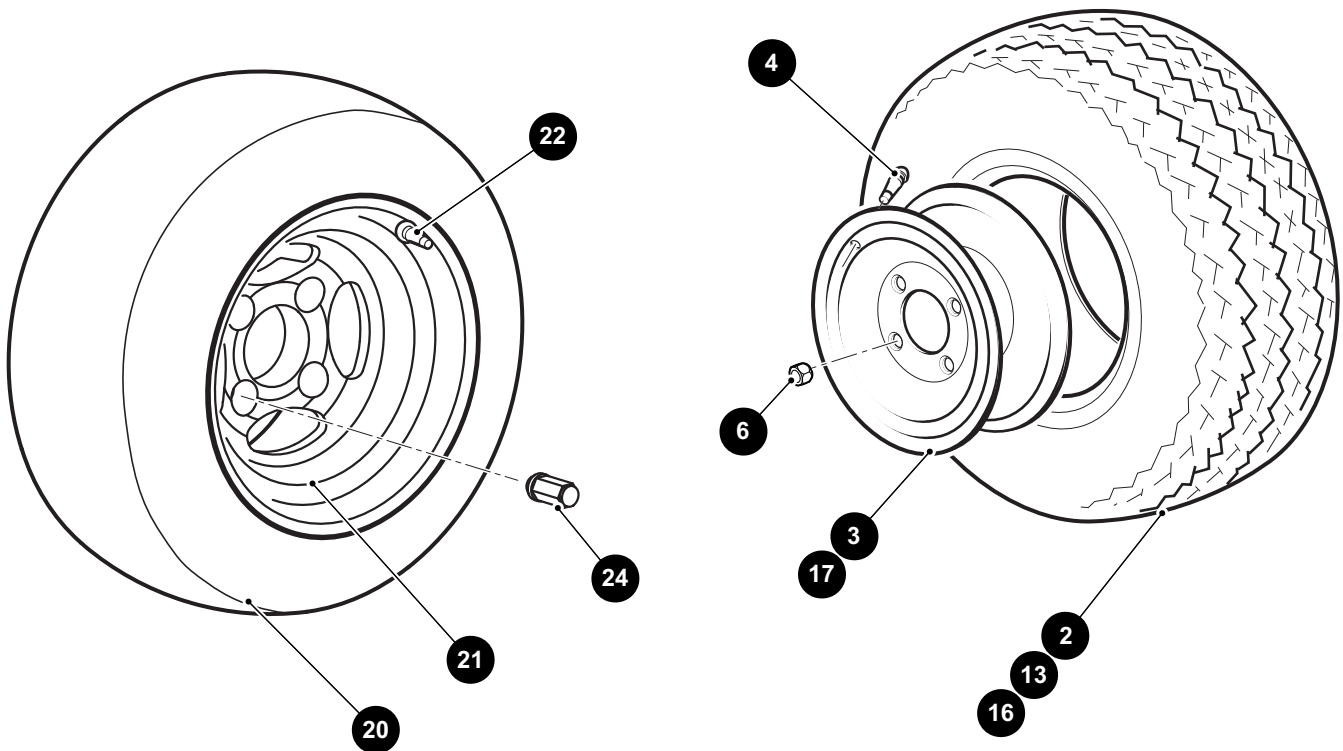
* Indicates a component that is not available as an individual part.

*** Indicates consult Customer Service Department for additional information.

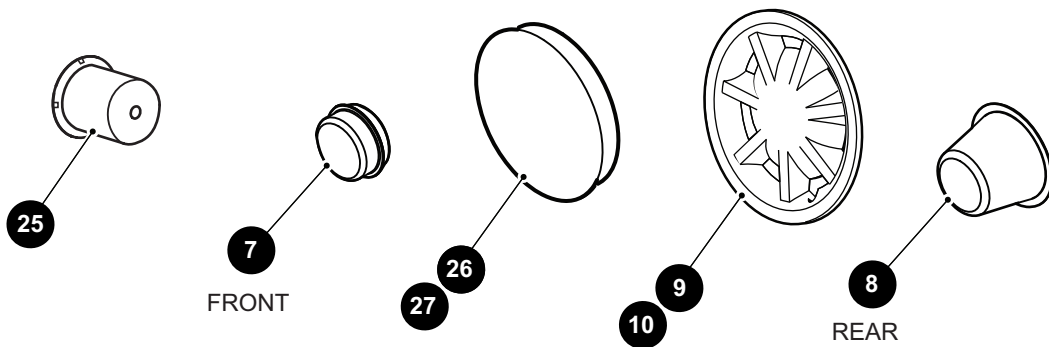
ITEM	PART NO.	1 2 3 4 5	DESCRIPTION	QTY.
1	634541		WEATHER ENCLOSURE (3 SIDED) (TAN) RECOMMENDED FOR VEHICLES WITH WINDSHIELDS.....	1
2	634542		WEATHER ENCLOSURE (3 SIDED) (OYSTER) RECOMMENDED FOR VEHICLES WITH WINDSHIELDS.....	1
3	634543		WEATHER ENCLOSURE (3 SIDED) (HUNTER GREEN) RECOMMENDED FOR VEHICLES WITH WINDSHIELDS.....	1
4				
5	625581		BAG COVER KIT (OYSTER).....	1
6	625583		BAG COVER KIT (TAN).....	1
7	625585		BAG COVER KIT (GREEN).....	1
8	618430		BAG COVER KIT (BLACK).....	1

WHEELS AND TIRES

- 1 WHEEL AND TIRE ASSEMBLY (LINKS) includes items 2 - 4
- 12 WHEEL AND TIRE ASSEMBLY (USA TRAIL) includes items 3 - 4, 13
- 15 WHEEL AND TIRE ASSEMBLY (HOLE-N-ONE) includes items 4, 16 - 17
- 19 WHEEL AND TIRE ASSEMBLY includes items 20 - 22



Tire design may vary by Part Number



WHEELS AND TIRES

THE USE OF NON U.L. PARTS WILL VOID ANY U.L. LISTING.

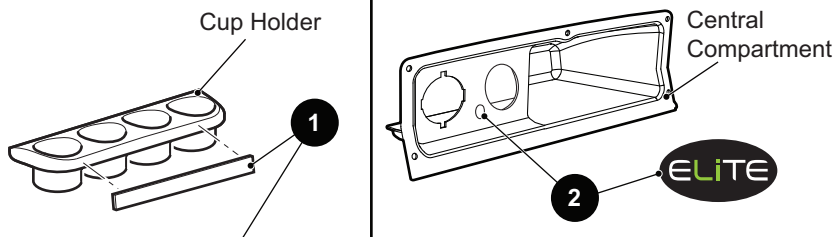
When ordering parts, please specify the model and serial number of the product.

* Indicates a component that is not available as an individual part.

*** Indicates consult Customer Service Department for additional information.

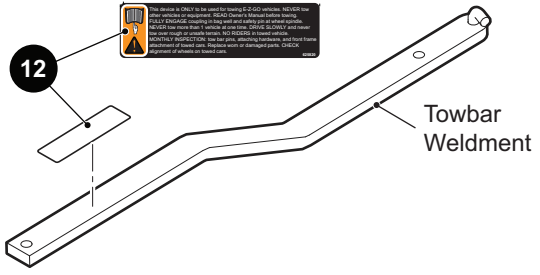
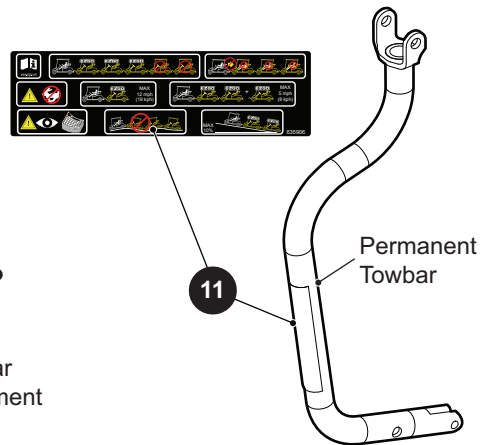
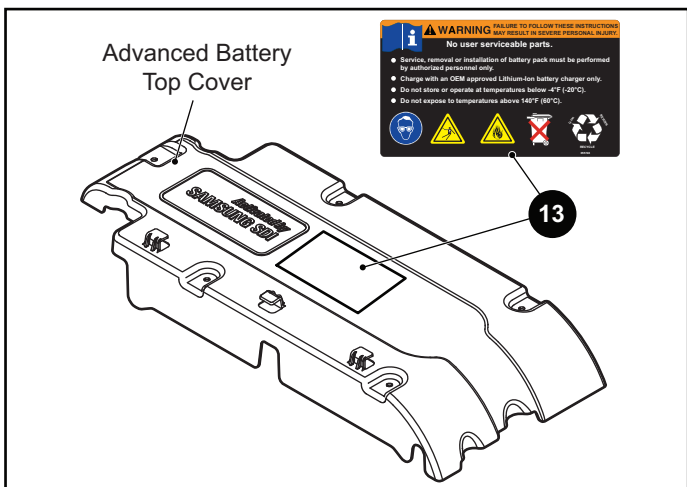
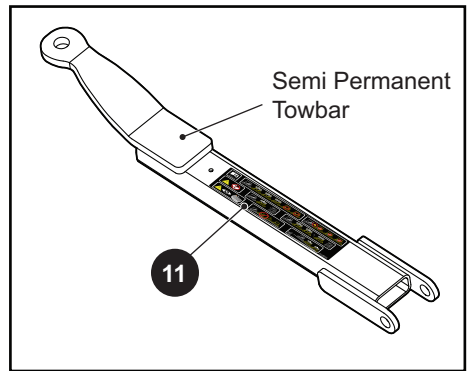
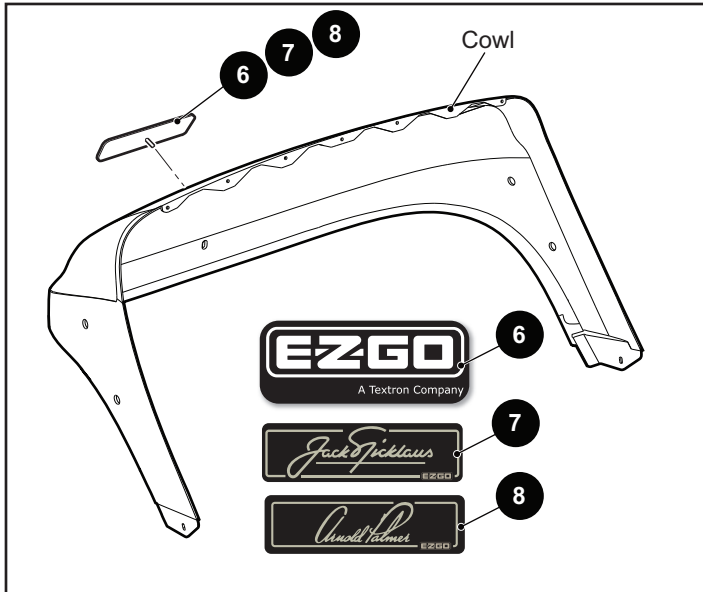
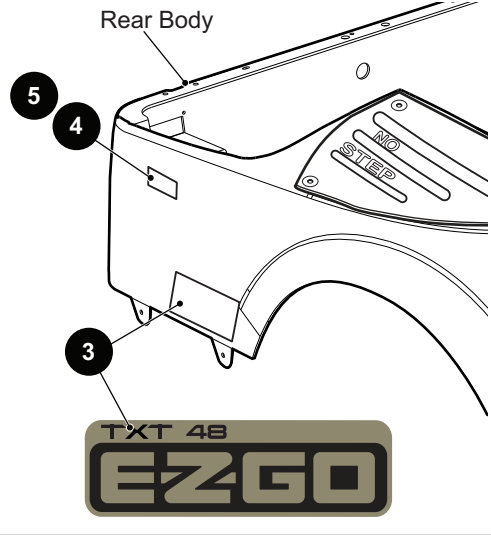
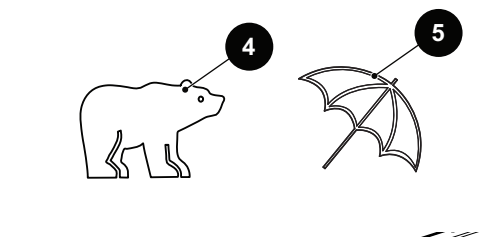
ITEM	PART NO.	1 2 3 4 5	DESCRIPTION	QTY.
1	28757G01		WHEEL AND TIRE ASSEMBLY (LINKS) (INCLUDES ITEMS 2 - 4)	1
2	28764G01		TIRE (CARLISLE), 18 X 8.5 - 8	1
3	28759G01		WHEEL (WHITE).....	1
4	11657G2		VALVE STEM.....	1
5				
6	14723G1		LUG NUT, 1/2" - 20	4
7	12091G2		SPINDLE CAP	1
8	74175G01		MOLDED DUST CAP.....	1
9	615617		HUB CAP (GOLD) (FOR VEHICLES MANUFACTURED BEFORE JANUARY 8, 2018).....	1
10	615618		HUB CAP (SILVER) (FOR VEHICLES MANUFACTURED BEFORE JANUARY 8, 2018).....	1
11				
12	28842G01		WHEEL AND TIRE ASSEMBLY (USA TRAIL) (INCLUDES ITEMS 3 - 4, 13)	1
13	28764G08		TIRE (CARLISLE), 18 X 8.5 - 8	1
14				
15	612772		WHEEL AND TIRE ASSEMBLY (HOLE-N-ONE) (INCLUDES ITEMS 4, 16 - 17)	1
16	612771		TIRE (KENDA).....	1
17	612770		WHEEL, 8".....	1
18				
19	635726		WHEEL AND TIRE ASSEMBLY (INCLUDES ITEMS 20 - 22)	1
20	601768		TIRE (TOUR MAX), 205/50 - 10	1
21	635727		ALLOY WHEEL	1
22	601767		VALVE STEM.....	1
23				
24	605310		LUG NUT (CHROME), 1/2" - 20.....	4
25	601353		ALLOY WHEEL CAP.....	1
26	665149		WHEEL COVER (METALLIC GOLD) (FOR VEHICLES MANUFACTURED AFTER JANUARY 8, 2018).....	1
27	665144		WHEEL COVER (METALLIC SILVER) (FOR VEHICLES MANUFACTURED AFTER JANUARY 8, 2018).....	1

DECALS AND LABELS



▲ WARNING Failure to follow these instructions can result in **SERIOUS INJURY or DEATH**.

● Operation by persons with valid Drivers Licenses, in accordance with state requirements. ● Operate from Driver's side only. ● For non-road use, and in designated areas only. ● Do not operate under the influence of drugs or alcohol. ● All occupants must be fully seated. ● Keep your feet inside vehicle and hold on while vehicle is in motion. ● Do not operate in the driver position. ● Apply service brake, turn key to "OFF" and accelerate smoothly. ● Maximum vehicle payload is 800 lbs. (363 kg) including a maximum of 2 persons, options, and accessories. ● Drive slowly straight up and down slopes and in turns. ● Use care in reverse, no congested areas or steep or loose terrain. ● To release parking (PARK) brake, depress service (brake) pedal pack. ● To stop, release accelerator pedal and apply service brake. ● Before leaving vehicle, turn key "OFF", move the direction selector to "forward" (Gas vehicles) or "neutral" (Electric), vehicle and engage parking (PARK) brake.



DECALS AND LABELS

THE USE OF NON U.L. PARTS WILL VOID ANY U.L. LISTING.

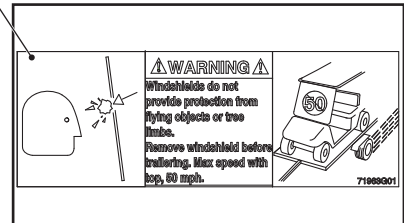
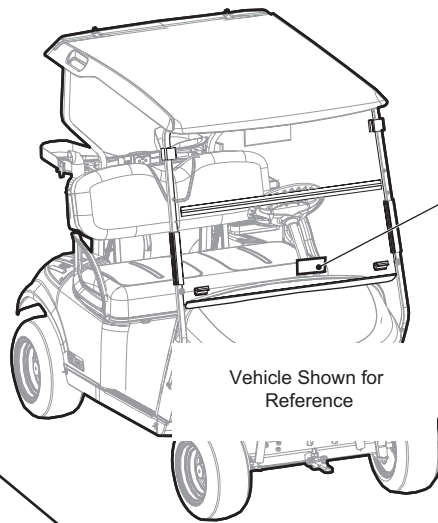
When ordering parts, please specify the model and serial number of the product.

* Indicates a component that is not available as an individual part.

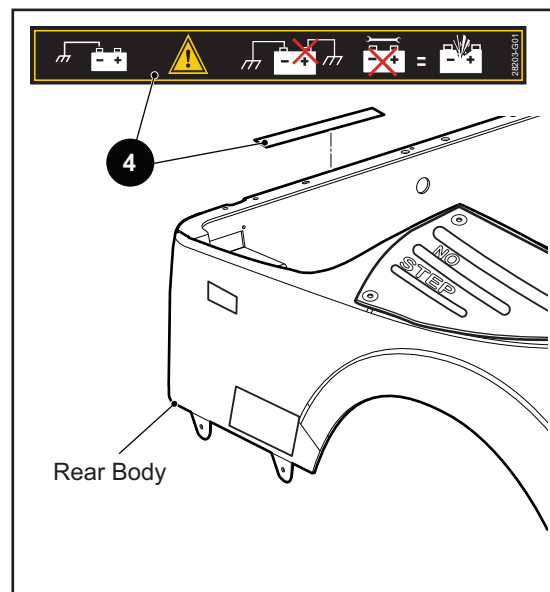
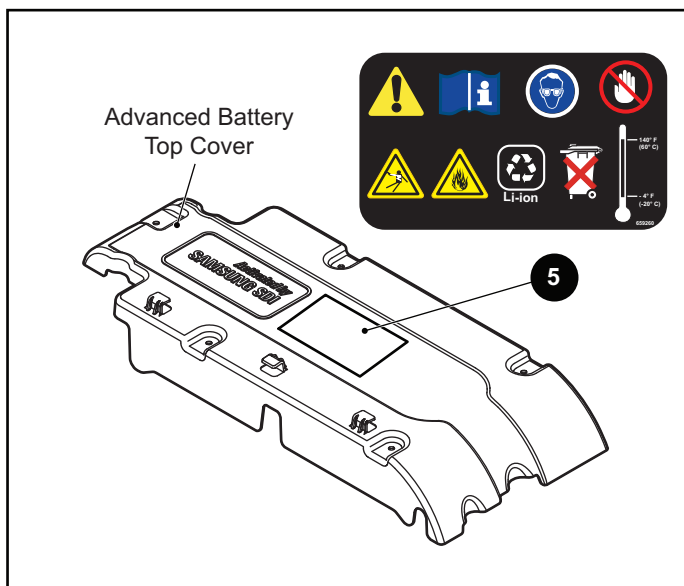
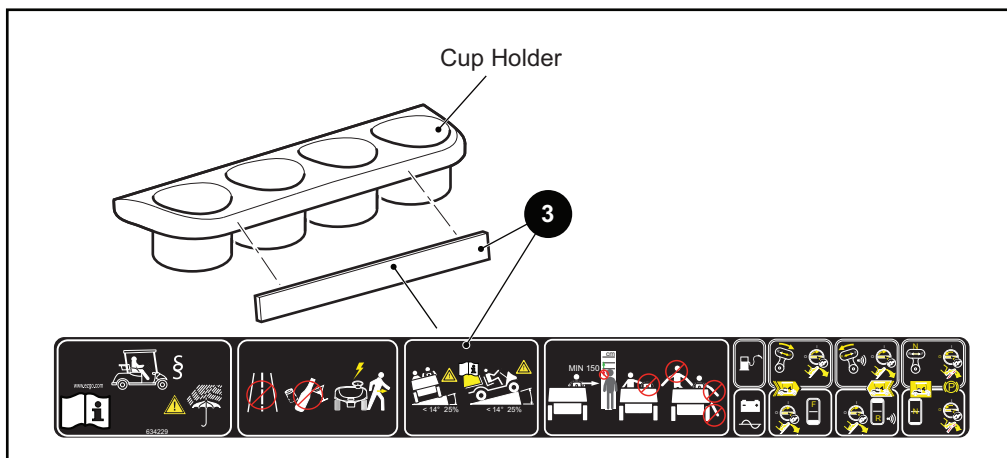
*** Indicates consult Customer Service Department for additional information.

ITEM	PART NO.	1 2 3 4 5	DESCRIPTION	QTY.
1	625240		SAFETY LABEL (INSTRUMENT PANEL).....	1
2	657850		ADVANCED BATTERY DECAL	1
3	613478		TXT FLEET DECAL	1
4	604847		GOLDEN BEAR DECAL	1
5	604850		UMBRELLA DECAL	1
6	606405		E-Z-GO NAME PLATE	1
7	634299		JACK NICKLAUS NAME PLATE	1
8	634297		ARNOLD PALMER NAME PLATE	1
9				
10				
11	635906		TOWBAR WARNING LABEL	1
12	625820		WARNING LABEL.....	1
13	655748		ADVANCED BATTERY WARNING LABEL.....	1

DECALS AND LABELS



FOR CE VEHICLES



DECALS AND LABELS

THE USE OF NON U.L. PARTS WILL VOID ANY U.L. LISTING.

When ordering parts, please specify the model and serial number of the product.

* Indicates a component that is not available as an individual part.

*** Indicates consult Customer Service Department for additional information.

ITEM	PART NO.	1 2 3 4 5	DESCRIPTION	QTY.
1	71963G01		WINDSHIELD CLIP-ON WARNING LABEL.....	1
2				
3	634229		SAFETY LABEL (INSTRUMENT PANEL).....	1
4	28203G01		BATTERY WARNING LABEL.....	1
5	659260		ADVANCED BATTERY WARNING LABEL.....	1



A Textron Company

Textron Specialized Vehicles, Inc.

1451 Marvin Griffin Road
Augusta, Georgia 30906 - 3852 USA

CONTACT US:

North America:

Technical Assistance & Warranty Phone: 1-800-774-3946, FAX: 1-800-448-8124
Service Parts Phone: 1-888-438-3946, FAX: 1-800-752-6175

International:

Phone: 001-706-798-4311, FAX: 001-706-771-4609

Owner's guides and repair manuals
are available from a local Distributor, or an authorized Branch,
Parts & Accessories Department or at www.shop.ezgo.com.

Copyrighted Material

This manual may not be reproduced in whole
or in part without the express permission of
TSV Technical Communications Department