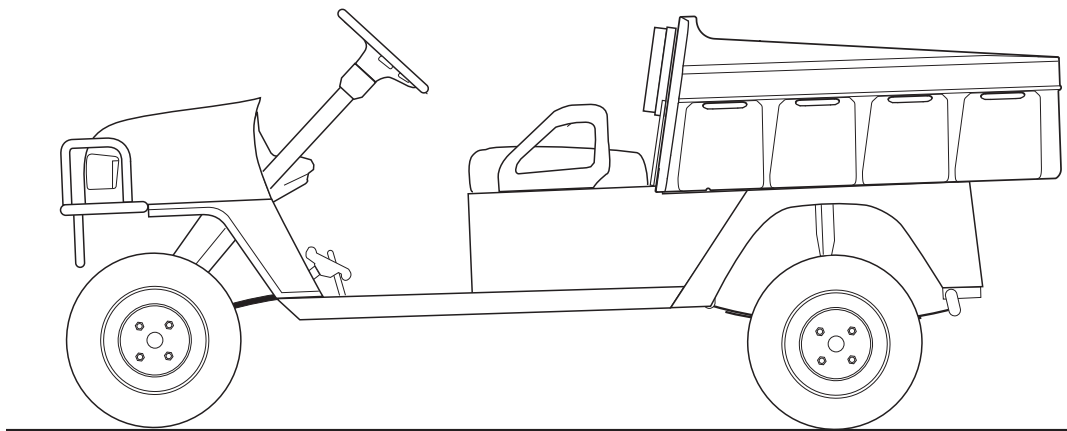


WOODS BOUNDARY UTILITY VEHICLE

MAV400



PARTS MANUAL

620395

(07/17/2008)

WOODS[®]

Tested. Proven. Unbeatable.

RELEASED: JULY 2008 REVISED: MAY 2010

SERVICE PARTS MANUAL

GASOLINE POWERED UTILITY VEHICLE

MAV 400

MAV 400 CARB

Starting Model Year 2008

GENERAL INFORMATION

To obtain a copy of the limited warranty applicable to the vehicle, call or write a local Distributor, authorized Branch or the Warranty Department with vehicle serial number and manufacturer code.

The use of non Original Equipment Manufacturer (OEM) parts may void the warranty.

Tampering with or adjusting the governor to permit vehicle to operate at above factory specifications will void the vehicle warranty.

When servicing engines, all adjustments and replacement components must be per original vehicle specifications in order to maintain the United States of America Federal and State emission certification applicable at the time of manufacture.

BATTERY PROLONGED STORAGE

All batteries will self discharge over time. The rate of self discharge varies depending on the ambient temperature and the age and condition of the batteries.

A fully charged battery will not freeze in winter temperatures unless the temperature falls below -75° F (-60° C).

TABLE OF CONTENTS

SECTION	Page No.
HOW TO USE THE SERVICE PARTS MANUAL	vii
ACCELERATOR ASSEMBLY	A-1
• Pedal Box Assembly	
• Accelerator Pedal	
• Micro Switch	
• Accelerator Cable	
• Choke Cable	
• Governor Cable	
AIR FILTER	B-1
• Air Cleaner Element	
• Air Filter Housing	
• Air Cleaner Hose	
BODY	C-1
• Floorpan	
• Floormat	
• Instrument Panel	
• Splash Panel	
• Cowl	
• Nameplate	
• Rocker Panels	
• Fenders	
• Seat Frame	
BRAKES	D-1
• Brake Pedal Assembly	
• Brake Pedal Pad	
• Compensator	
• Equalizer	
• Brake Cable	
• Brake Drum Assembly	
• Brake Shoes	
CAB	E-1
• Steel Cab	
• Doors	
• Ball Cage	
CARBURETOR AND CHOKE	F-1
• Carburetor	
• Main Jet	
• Needle Valve	
CLUTCH	G-1
• Drive Clutch	
• Driven Clutch	
• Drive Belt	
DIRECTION SELECTOR	H-1
• Direction Selector Assembly	
• Handle	
• Compression Spring	
• Extension Spring	
• Push Pull Shifter Cable	
• Shifter Arm	

TABLE OF CONTENTS

SECTION	Page No.
ELECTRICAL	J-1
• Battery	
• Ground Cable	
• Voltage Regulator	
• Solenoid	
• Horn	
• Turn Signal	
• Headlight	
• Key Switch	
• Tail Lights	
• Fuel Gauge	
• Hour Meter	
• Wire Harness	
ENGINE AND MUFFLER	K-1
• Engine	
• Muffler	
• Oil Dip Stick	
• Oil Filter	
ENGINE MOUNTING	L-1
• Front Engine Mount	
• Engine Pan Mount	
• Differential Plate	
FRONT SUSPENSION	M-1
• Front Axle	
• Spindles	
• Hubs	
• Front Leaf Spring	
• Front Shock Absorber	
FUEL SYSTEM	N-1
• Fuel Tank	
• Pulse Line	
• Fuel Pump	
• Fuel Line	
• Carbon Cannister (CARB only)	
REAR AXLE	P-1
• Axle Shaft	
• Axle Tube	
• Oil Check Plug	
• Oil Drain Plug	
REAR SUSPENSION	Q-1
• Shock Absorber	
• Leaf Spring	
• Shackles	
• Bushings	
SEATING	R-1
• Seat Back Support	
• Seat Bottom	
• Seat Back	
• Hip Restraints	
• Bed Bumper Bracket	

TABLE OF CONTENTS

SECTION	Page No.
STARTER / GENERATOR	S-1
• Starter / Generator	
• Starter / Generator Belt	
STEERING	T-1
• Steering Box	
• Steering Column	
• Steering Wheel	
• Tie Rod	
TRUCK BED	U-1
• Bed Assembly	
• Bed Latch	
• Adjustable Bumper	
• Heat Shield	
• Name Plate	
• Electric Actuator	
WEATHER PROTECTION	V-1
• Sun Top	
• 3 Sided Soft Enclosure	
• Windshield	
WHEELS AND TIRES	W-1
• Tire & Wheel Assembly	
• Lug Nuts	
• Dust Cap	
WINCH	X-1
SPECIALITY PRODUCTS	Apendix A-1
OPTION / ACCESSORIES	Apendix B-1
VEHICLE WARRANTIES	Vehicle Warranties-1

HOW TO USE THE SERVICE PARTS MANUAL

This manual is divided into several sections:

GENERAL INFORMATION

- TABLE OF CONTENTS
- HOW TO USE THE SERVICE PARTS MANUAL

ILLUSTRATED PARTS BREAKDOWN

- Contains illustrations and parts lists for all systems of the vehicle

APPENDIX

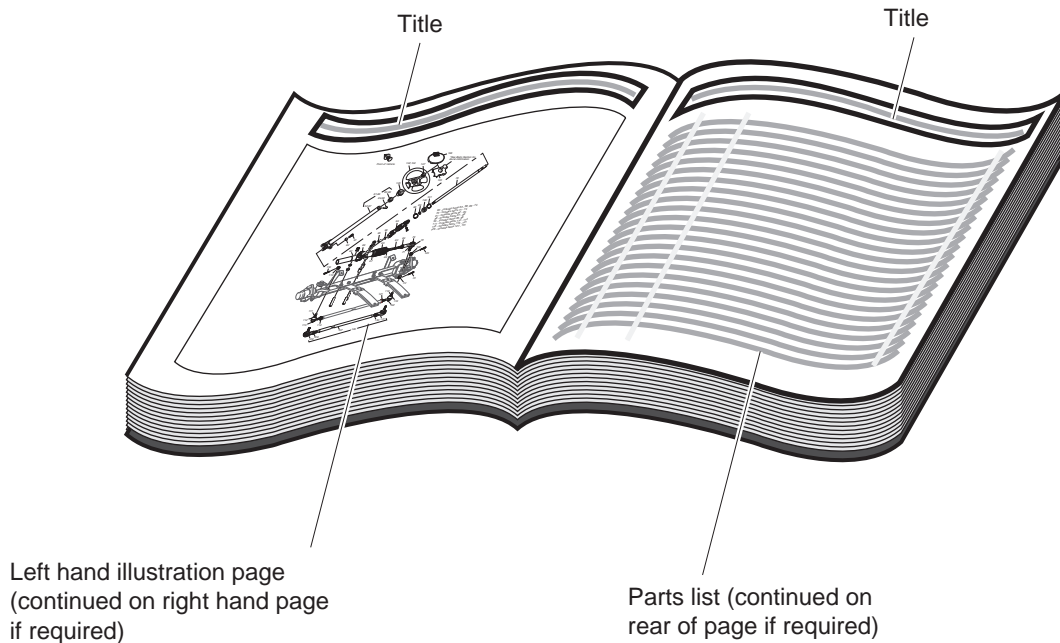
- Contains a listing of specialty products and options/accessories

USE OF THE MANUAL

To use this manual, consult the TABLE OF CONTENTS (page iii) to locate the information or illustration required.

Introduction of some revisions varies due to supply of components; therefore, it is possible that various combinations of components may be found that are not directly reflected by each illustration. Consult the illustration that best suits your situation. Locate the serial number plate (see BODY located in the Illustrated Parts Breakdown section of this manual for its location) and note the complete number shown on the plate. It is important that the serial number of your vehicle and its model number be supplied to Service Parts when ordering any replacement components.

HOW TO USE THE SERVICE PARTS MANUAL



1. WHEN THE PART NUMBER IS NOT KNOWN

- Determine the function and application of the part required. Turn to the INDEX OF MAJOR COMPONENTS and select the most appropriate component description.
- Turn to the page number indicated and locate the part description in the parts list. Read the full accompanying description for specific information regarding the part that was not shown in the index.
- From the parts list, obtain the item number assigned to it and confirm that the part selected is correct by verifying it with the pictorial representation on the illustrated page.

2. IF YOU KNOW THE PART NUMBER

- Use the INDEX OF MAJOR COMPONENTS to find the page(s) the part number appears on.
- Turn to the page number indicated and locate the part number in the parts list. Refer to the accompanying description for specific information regarding the part.
- From the parts list, obtain the item number assigned to it and confirm that the part selected is correct by verifying it with the pictorial representation on the illustrated page.

Should an asterisk (*) appear in the part number column on the parts list page, read upwards until a part number is found. The part number is the lowest assembly sold by Service Parts. The asterisk (*) indicates that the part depicted is not available for purchase.

NOTE: Descriptions are indented under the assembly that they are used on. That assembly is, in turn listed under the assembly that it is used on. This process is repeated until the highest final assembly is reached.

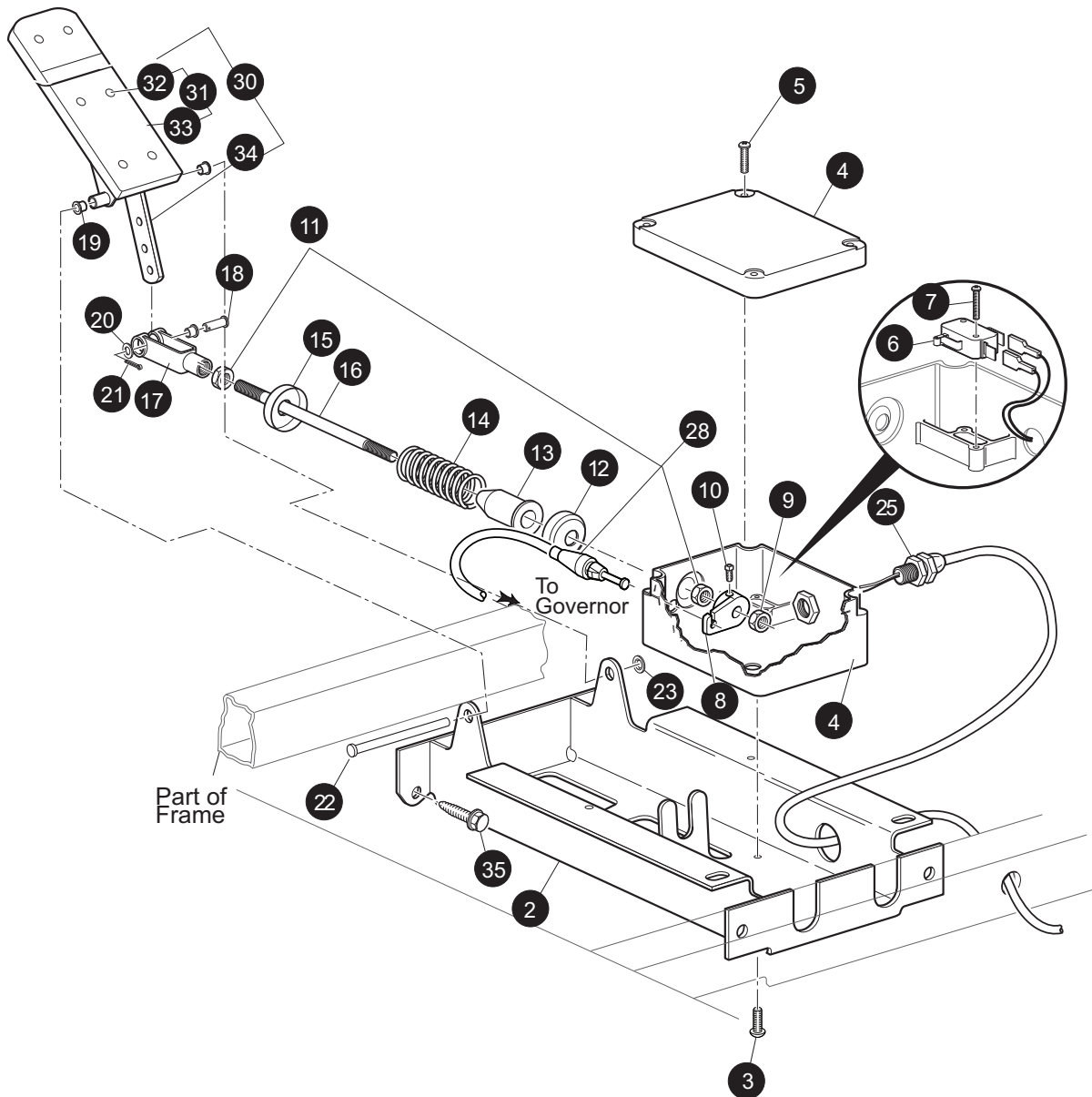
To facilitate the maintenance and repair of the vehicle, a Technician's Repair and Service Manual is available from the Service Parts Department.

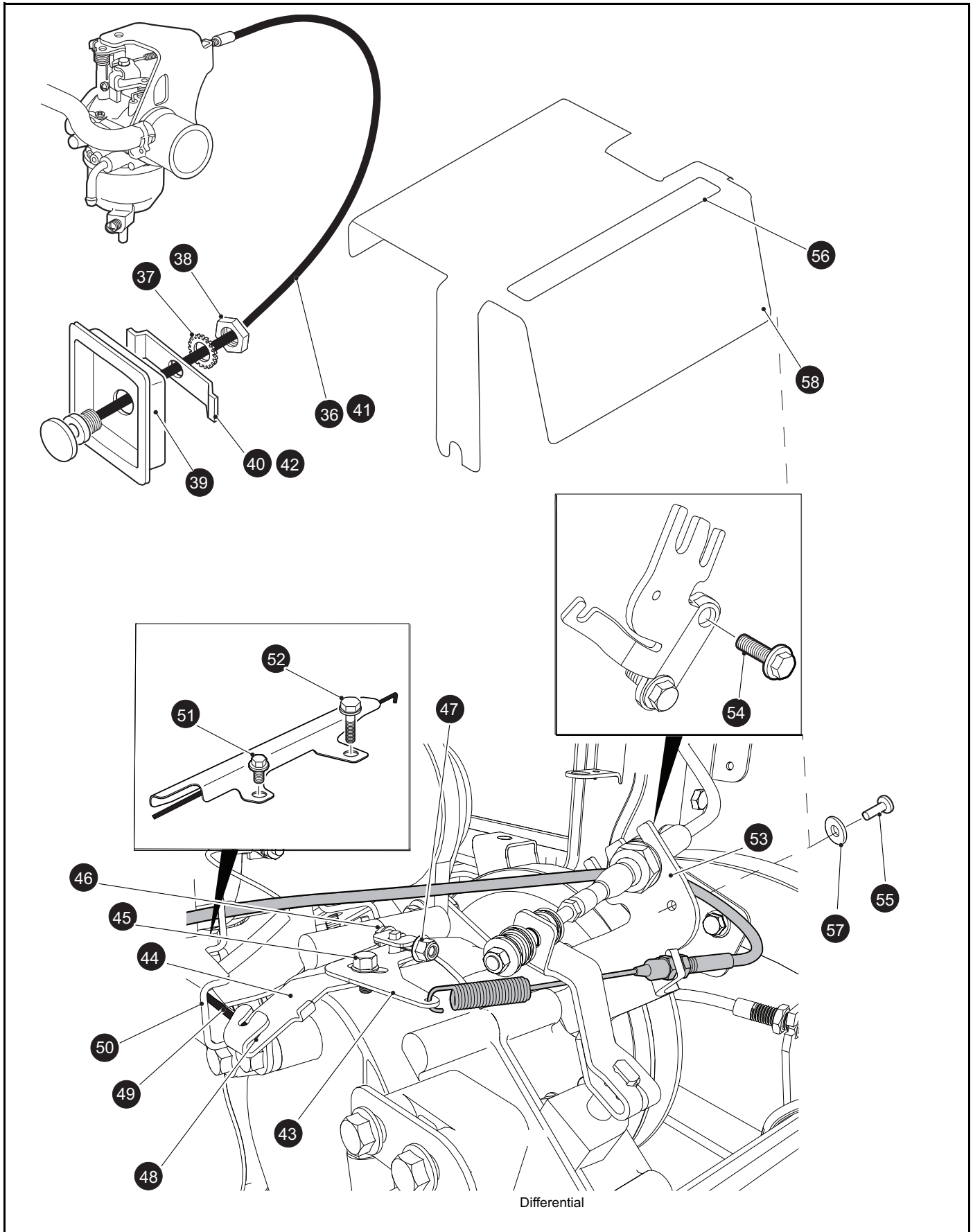
ILLUSTRATED PARTS BREAKDOWN

ILLUSTRATED PARTS BREAKDOWN

ACCELERATOR

1 - Includes Items 2 - 39





ACCELERATOR

When ordering parts, please specify the model and serial number of the product.

* Indicates a component that is not available as an individual part.

*** Indicates consult Customer Service Department for additional information.

ITEM	PART NO.	1	2	3	4	5	DESCRIPTION	QTY.
1	606991						PEDAL BOX ASSEMBLY (INCLUDES ITEMS 2 - 39,	1
2	70116G02						ACCELERATOR PEDAL BRACKET	1
3	01051G01						SCREW, #8 - 16 X 1/2" LG	4
4	25853G03						PEDAL BOX AND COVER	1
5	00684G6						SCREW, #8 - 32 X 3/4" LG (STAINLESS STEEL)	2
6	25861G01						MICRO SWITCH	1
7	01050G01						SCREW, #4 - 20 X 5/8" LG	2
8	72716G01						MICRO SWITCH CAM	1
9	15126G1						LOCK NUT, 5/16 - 24	1
10	00487G3						SETSCREW, 1/4 - 20 X 3/8" LG	1
11	00532G4						NUT, 5/16 - 24	2
12	17677G1						SPRING RETAINER	1
13	17979G1						ACCELERATOR ROD BUSHING	1
14	73046G01						COMPRESSION SPRING	1
15	17677G2						SPRING RETAINER	1
16	72072G01						ACCELERATOR ROD	1
17	10385G4						CLEVIS YOKE (ADJUSTABLE)	1
18	10386G3						CLEVIS PIN, 5/16" X 13/16" LG	1
19	17838G1						NYLON BUSHING	3
20	17255G1						TEFLON WASHER, 5/16"	1
21	10387G3						COTTER PIN, 3/32" X 3/4" LG	1
22	74432G01						PEDAL PIVOT PIN	1
23	12064G6						PUSH NUT, 9/32"	1
24	12730G1						WHEEL BEARING GREASE (NOT ILLUSTRATED)	A/R
25	72201G04						WIRE HARNESS (PEDAL BOX)	1
26								
27								
28	608614						ACCELERATOR CABLE	1
29								
30	25799G03						ACCELERATOR PEDAL ASSEMBLY (INCLUDES ITEMS 31- 33)	1
31	27844G01						ACCELERATOR PEDAL PAD KIT (INCLUDES ITEMS 32- 33)	

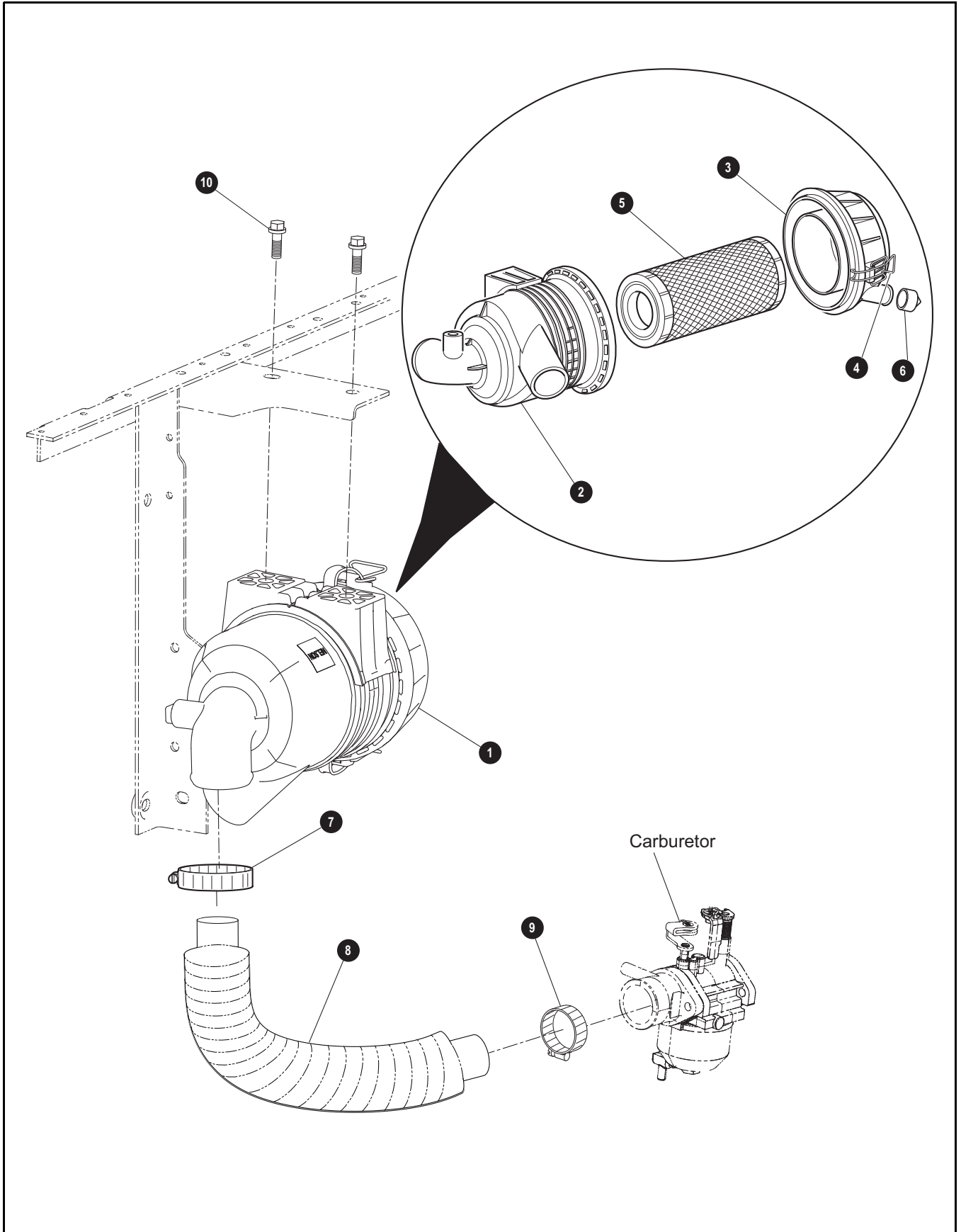
When ordering parts, please specify the model and serial number of the product.

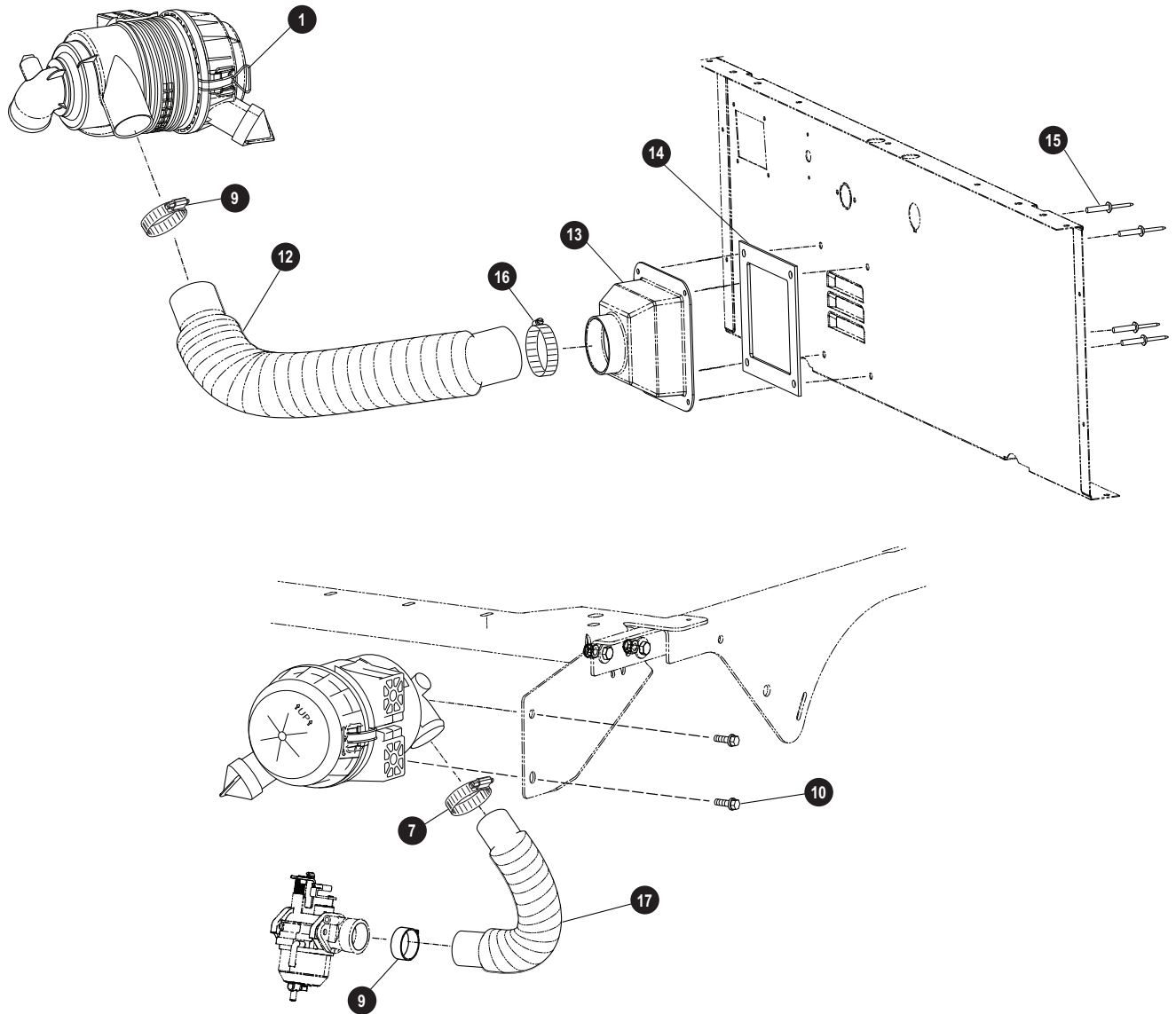
* Indicates a component that is not available as an individual part.

*** Indicates consult Customer Service Department for additional information.

ITEM	PART NO.	1	2	3	4	5	DESCRIPTION	QTY.
32	16409G1						OVAL RIVET, 3/16" X 7/16" LG	6
33	27512-G01						ACCELERATOR PEDAL PAD	1
34	*						ACCELERATOR PEDAL	
35	00715G2						BOLT, 5/16 -18 X 4/5" LG.....	4
36	605793						CHOKE CABLE ASSY	1
37	00568G4						LOCK WASHER, 9/16"	1
38	00545G4						JAM NUT, 9/16 - 18.....	1
39	72154G01						CHOKE CABLE ADAPTER.....	1
40	72155G02						RETAINER	1
41								
42								
43	606083						UPPER GOVERNOR BRACKET.....	1
44	606005						LOWER GOVERNOR BRACKET	1
45	606265						BOLT, M6 - 1 X 12.....	1
46	606421						BOLT, M6 - 1 X 30.....	1
47	450452						NUT, M6 - 1.0.....	1
48	606283						GOVERNOR LEVER BUSHING	1
49	606284						GOVERNOR ROD	1
50	603890						GOVERNOR ROD GUARD	1
51	606264						BOLT, M6 - 1 X 20.....	1
52	606262						BOLT, M8 - 1.25 X 16.....	1
53	606074						GOVERNOR CABLE / DIRECTION SELECTOR BRACKET	1
54	606256						BOLT, M10 - 1.25 X 16.....	2
55	14601G11						RIVET.....	1
56	608527						GOVERNOR WARNING DECAL.....	1
57	00915G1						WASHER	1
58	606199						GOVERNOR COVER	1
59	17618G1						NYLON CLAMP	2

AIR FILTER





AIR FILTER

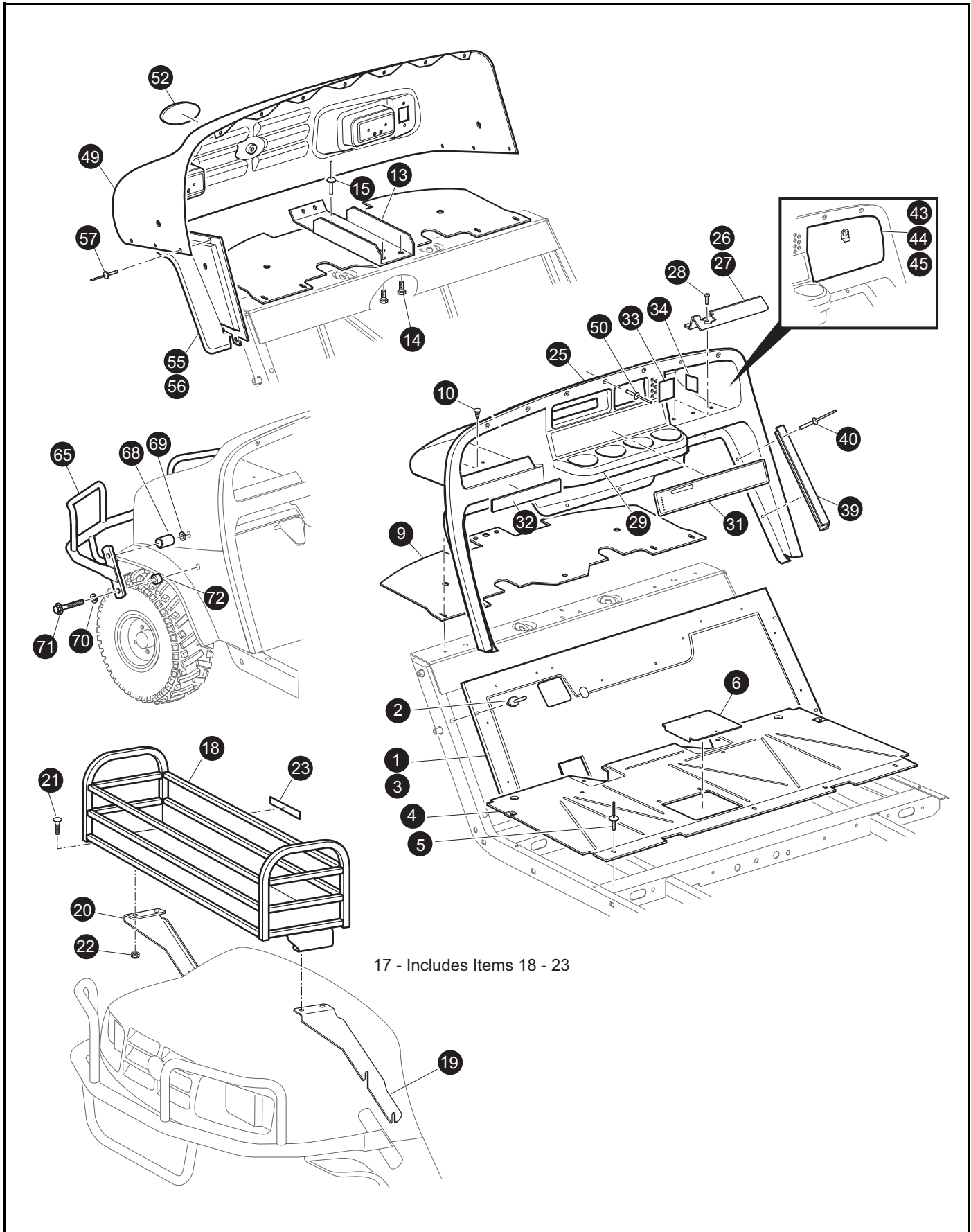
When ordering parts, please specify the model and serial number of the product.

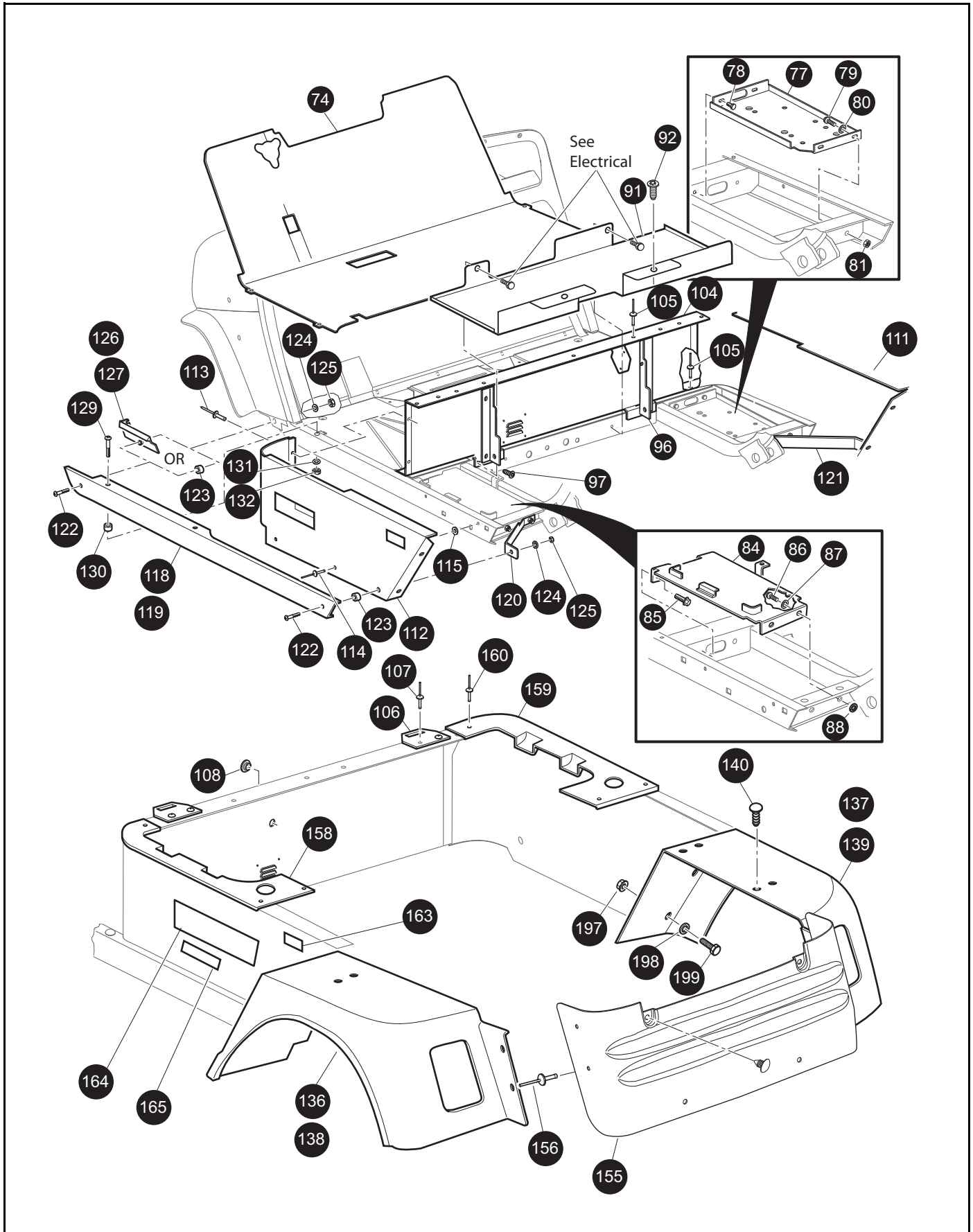
* Indicates a component that is not available as an individual part.

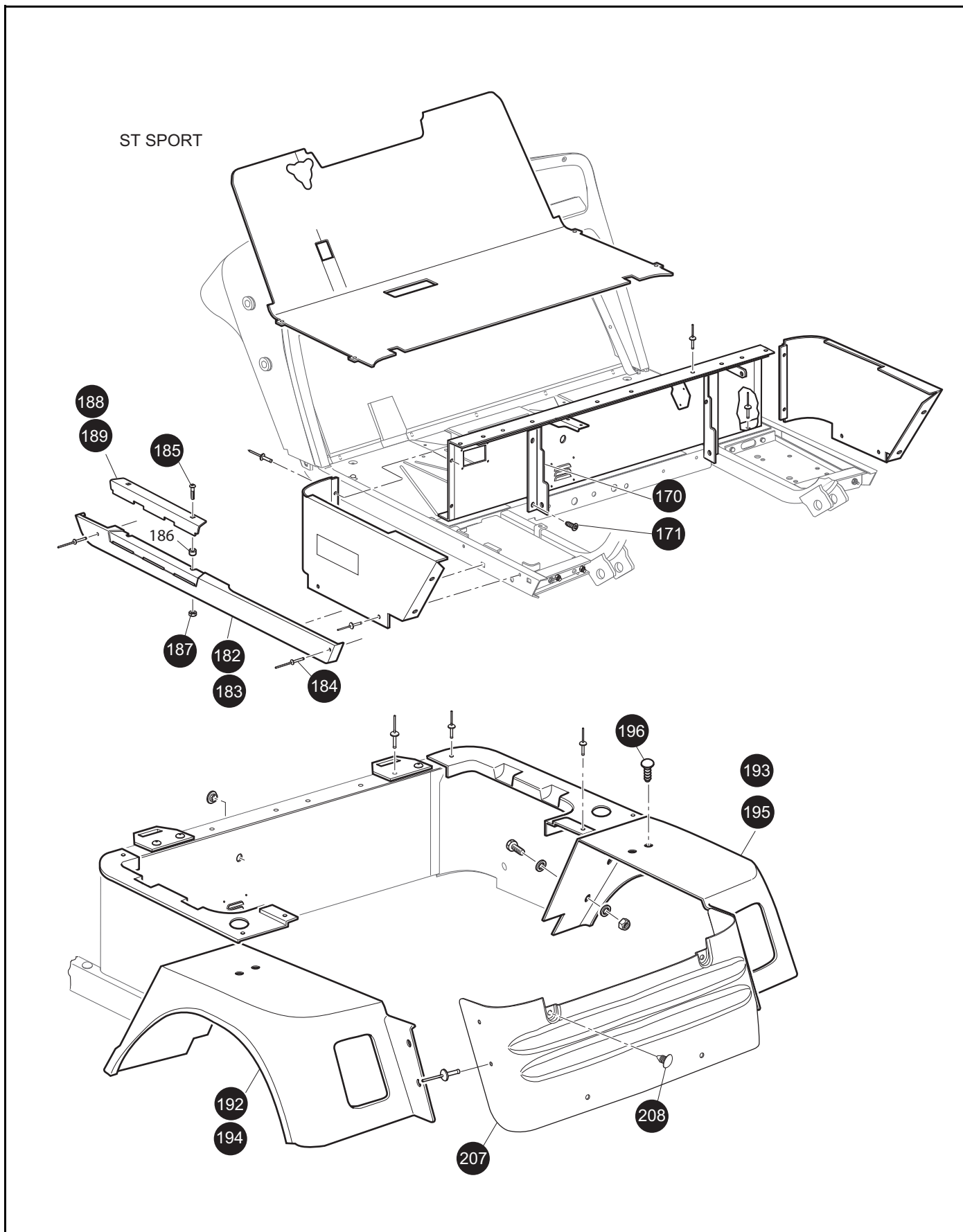
*** Indicates consult Customer Service Department for additional information.

ITEM	PART NO.	1 2 3 4 5	DESCRIPTION	QTY.
1	606952		AIR CLEANER (INCLUDES ITEMS 2 - 6).....	1
2	607269		BODY & BRACKET ASSEMBLY	1
3	72599G01		AIR CLEANER COVER	1
4	72604G01		AIR CLEANER CLIP	2
5	28463G01		AIR FILTER	1
6	28462G01		VALVE DUST EJECTOR.....	1
7	11391G7		HOSE CLAMP, 1.56 - 2.50 DIA	1
8	607950		HOSE 10" LONG	1
9	11391G1		HOSE CLAMP 1.31 - 2.25 DIA.....	3
10	25532G1		BOLT AND WASHER, M8 X 1.25 X 18 MM	4
11				
12	72637G03		HOSE, AIR INTAKE, 16" LONG	1
13	72416G01		INTAKE ASSEMBLY, REMOTE AIR.....	1
14	72415G01		GASKET, REMOTE AIR INTAKE	1
15	71055G01		RIVET, 3/16 DIA	4
16	11391G2		CLAMP, HOSE, 2.06 - 3.00 DIA	1
17	601910		HOSE, 14' LONG	1

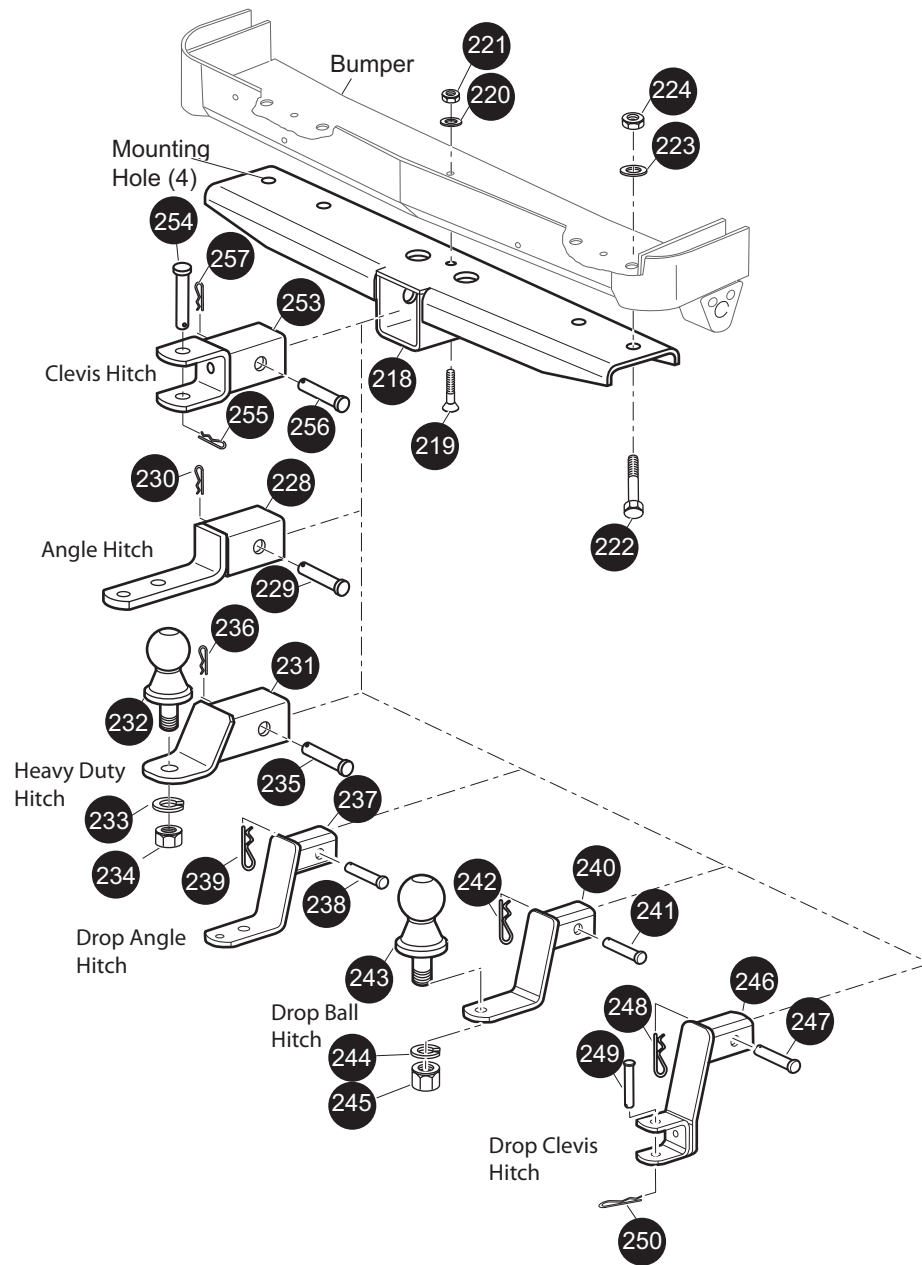
BODY



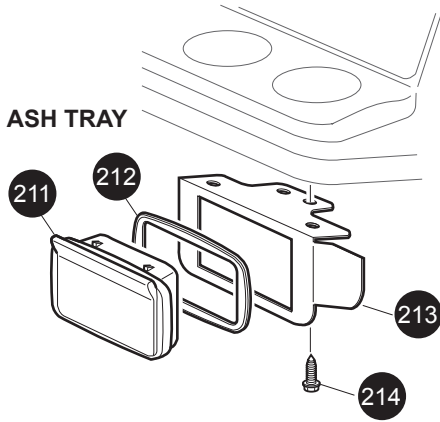




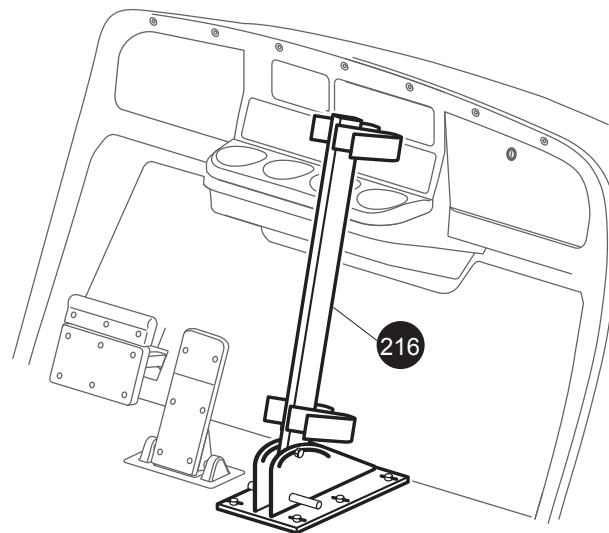
HITCHES



ASH TRAY



**FLOOR MOUNT
GUN HOLDER**



When ordering parts, please specify the model and serial number of the product.

* Indicates a component that is not available as an individual part.

*** Indicates consult Customer Service Department for additional information.

ITEM	PART NO.	1 2 3 4 5	DESCRIPTION	QTY.
1	71510G01		UPPER FLOORPAN	1
2	14601G11		RIVET, 3/16" X 9/16" LG (ALUMINUM).....	9
3	70662G01		UPPER FLOORPAN (ST SPORT II).....	1
4	70451G01		LOWER FLOORPAN	1
5	14601G11		RIVET, 3/16" X 9/16" LG (ALUMINUM).....	7
6	70452G01		ACCESS COVER.....	1
7				
8				
9	71413G01		SPLASH PANEL	1
10	16816G2		RATCHET FASTENER, 1/4" X 3/4" LG.....	4
11				
12				
13	71101G02		COWL SUPPORT BRACKET	1
14	71102G02		SELF TAPPING SCREW, 1/4 - 20 X 1/2" LG.....	3
15	71055G01		RIVET, 3/16" X 1 1/8" LG (ALUMINUM).....	1
16				
17	74521G02		FRONT BASKET ASSEMBLY (INCLUDES ITEMS 18 - 23).....	1
18	74523G01		FRONT BASKET	1
19	74522G01		BASKET MOUNTING BRACKET (DRIVER SIDE)	1
20	74522G02		BASKET MOUNTING BRACKET (PASSENGER SIDE).....	1
21	00725G1		CARRIAGE BOLT, 3/8 - 16 X 1" LG (STAINLESS STEEL)	4
22	00891G1		LOCK NUT, 3/8 - 16.....	4
23	71931G01		LABEL, FRONT BASKET (WARNING)	1
24				
25	71151G03		INSTRUMENT PANEL ASSEMBLY (INCLUDES ITEMS 26 - 29).....	1
26	71153G01		DEFLECTOR (PASSENGER SIDE)	1
27	71154G01		DEFLECTOR (DRIVER SIDE).....	1
28	00614G5		SCREW, #8 - 18 X 5/8" LG.....	4
29	71158G01		INSTRUMENT PANEL INSERT (FOUR CUP)	1
30				
31	601781		LABEL (SAFETY).....	1

BODY

When ordering parts, please specify the model and serial number of the product.

* Indicates a component that is not available as an individual part.

*** Indicates consult Customer Service Department for additional information.

ITEM	PART NO.	1 2 3 4 5	DESCRIPTION	QTY.
32	74443G01		LABEL (ANTI-ROLL BACK)	1
33	35968G01		LABEL (T-HOLDER COVER)	1
34	*		SERIAL NUMBER PLATE	1
35				
36				
37				
38				
39	71115G01		VINYL TRIM	2
40	71055G01		RIVET, 3/16" X 1" LG (ALUMINUM)	10
41				
42				
43	75456G01		GLOVE BOX DOORS (BOTH SIDES)	1
44	75456G02		GLOVE BOX DOOR (DRIVER SIDE)	1
45	75456G03		GLOVE BOX DOOR (PASSENGER SIDE)	1
46				
47				
48				
49	71469G**		COWL	1
50	71055G01		RIVET, 3/16" X 1" LG (ALUMINUM)	7
51				
52	605489		NAMEPLATE (WOODS) (OVAL)	1
53				
54				
55	71338G01		FENDER FLARE (DRIVER SIDE)	1
56	71338G02		FENDER FLARE (PASSENGER SIDE)	1
57	71055G01		RIVET, 3/16" X 1" LG (ALUMINUM)	6
58				
59				
60				
61				
62				

When ordering parts, please specify the model and serial number of the product.

* Indicates a component that is not available as an individual part.

*** Indicates consult Customer Service Department for additional information.

ITEM	PART NO.	1 2 3 4 5	DESCRIPTION	QTY.
63				
64				
65	74265G02		BUMPER.....	1
66				
67				
68	75048G04		SPACER, 1"	2
69	00570G2		WASHER, 5/16"	2
70	00905G8		LOCK WASHER, 5/16"	4
71	01035G02		BOLT, 5/16 - 18 X 2 1/2" LG.....	4
72	75048G01		SPACER.....	2
73				
74	70048G06		FLOORMAT	1
75	70663G03		FLOORMAT 1/8 (ST SPORT II).....	1
76				
77	70244G03		SPLASH PANEL	1
78	00715G2		BOLT, 5/16 - 18 X 4/5" LG.....	4
79	00438G8		BOLT, 5/16 - 18 X 1" LG (ST 350).....	2
80	00559G8		WASHER, 5/16" (ST 350).....	2
81	11098G6		LOCK NUT, 5/16 - 18 (STAINLESS STEEL) (ST 350).....	2
82				
83				
84	600496		BATTERY TRAY.....	1
85	00715G2		BOLT, 5/16 - 18 X 4/5" LG.....	AR
86	00438G6		BOLT, 5/16 - 18 X 3/4" LG.....	3
87	00571G2		WASHER, 5/16"	1
88	00565G8		LOCK WASHER, 5/16"	1
89				
90				
91	70629G01		SPLASH PANEL	1
92	00106G6		SELF THREADING SCREW, #12 - 24 X 3/4" LG	2
93				

BODY

When ordering parts, please specify the model and serial number of the product.

* Indicates a component that is not available as an individual part.

*** Indicates consult Customer Service Department for additional information.

ITEM	PART NO.	1	2	3	4	5	DESCRIPTION	QTY.
94								
95								
96	605763						SEAT FRAME (ST 400).....	1
97	00715G2						BOLT, 5/16 - 18 X 4/5" LG	2
98								
99								
100								
101								
102								
103								
104	71977G**						SEAT WRAP PANEL WITH LOUVERS.....	1
105	10570G10						RIVET, 5/32" X 9/16" LG (STAINLESS STEEL)	8
106	71609G01						SEAT HINGE PLATE	2
107	10570G11						RIVET, 3/16" X 3/4" LG (STAINLESS STEEL)	4
108	20271G9						HOLE PLUG	1
109								
110								
111	71674G**						SIDE PANEL (DRIVER SIDE) (ST 350)	1
112	71674G**						SIDE PANEL (PASSENGER SIDE) (ST 350).....	1
113	10570G10						RIVET, 5/32" X 9/16" LG (STAINLESS STEEL)	4
114	10570G12						RIVET, 1/4" X 9/16" LG (ALUMINUM)	4
115	16469G1						WASHER, 1/4"	4
116								
117								
118	71439G03						ROCKER PANEL (DRIVER SIDE) (ST 400)	1
119	71439G04						ROCKER PANEL (PASSENGER SIDE) (ST 400).....	1
120	71440G03						BRACE (DRIVER SIDE).....	1
121	71440G04						BRACE (PASSENGER SIDE)	1
122	00789G2						SCREW, #10 - 24 X 1 1/4" LG	4
123	23726G2						SPACER, 1/4"	4
124	00660G5						WASHER, #10 (STAINLESS STEEL).....	4

When ordering parts, please specify the model and serial number of the product.

* Indicates a component that is not available as an individual part.

*** Indicates consult Customer Service Department for additional information.

ITEM	PART NO.	1 2 3 4 5	DESCRIPTION	QTY.
125	14390G10		LOCK NUT, #10 - 24	4
126	71424G01		SPACER (DRIVER SIDE)	1
127	71424G02		SPACER (PASSENGER SIDE).....	1
128				
129	16705G1		SCREW, 1/4 - 20 X 1" LG (STAINLESS STEEL).....	4
130	23726G2		SPACER, 1/4"	4
131	00559G7		WASHER , 1/4"	4
132	14390G4		LOCK NUT, 1/4 - 20	4
133				
134				
135				
136	74893G01		FENDER (DRIVER SIDE) (ST 400).....	1
137	74893G02		FENDER (PASSENGER SIDE) (ST 400)	1
138				
139				
140	16816G2		RATCHET FASTENER, 1/4" X 3/4" LG.....	10
141				
142				
143				
144				
145				
146				
147				
148				
149				
150				
151				
152				
153				
154				
155	74890G01		REAR PANEL	1

BODY

When ordering parts, please specify the model and serial number of the product.

* Indicates a component that is not available as an individual part.

*** Indicates consult Customer Service Department for additional information.

ITEM	PART NO.	1 2 3 4 5	DESCRIPTION	QTY.
156	71055G01		RIVET, 3/16" X 1" LG (ALUMINUM)	4
157				
158	74891G01		SEAT FILLER PANEL (DRIVER SIDE)	1
159	74891G02		SEAT FILLER PANEL (PASSENGER SIDE).....	1
160	10570G10		RIVET, 5/32" X 9/16" LG (STAINLESS STEEL)	6
161				
162				
163	74099G01		LABEL (TILT WARNING).....	2
164	603491		LABEL (WOODS BOUNDARY	2
165	603664		DECAL (MAV 480 MODEL).....	2
166				
167				
168				
169				
170				
171	605694		SEAT FRAME (ST SPORT)	1
172	00715G2		BOLT, 5/16 - 18 X 4/5" LG	2
173				
174				
175				
176				
177				
178				
179				
180				
181				
182	71502G01		ROCKER PANEL (DRIVER SIDE) (ST SPORT).....	1
183	71501G01		ROCKER PANEL (PASSENGER SIDE) (ST SPORT)	1
184	15058G6		RIVET, 3/16" X 15/16" LG (ALUMINUM)	4
185	16705G1		SCREW, 1/4 - 20 X 1" LG (STAINLESS STEEL)	4
186	23726G4		SPACER, 5/16"	4

When ordering parts, please specify the model and serial number of the product.

* Indicates a component that is not available as an individual part.

*** Indicates consult Customer Service Department for additional information.

ITEM	PART NO.	1 2 3 4 5	DESCRIPTION	QTY.
187	14390G4		LOCK NUT, 1/4 - 20	4
188	71507G02		SILL PLATE (DRIVER SIDE)	1
189	71507G01		SILL PLATE (PASSENGER SIDE).....	1
190				
191				
192	74892G01		FENDER (DRIVER SIDE) (ST SPORT).....	1
193	74892G02		FENDER (PASSENGER SIDE) (ST SPORT)	1
194	74892G03		FENDER WITH TAILLIGHT (DRIVER SIDE) (ST SPORT)	1
195	74892G04		FENDER WITH TAILLIGHT (PASSENGER SIDE) (ST SPORT).....	1
196	16816G2		RATCHET FASTENER, 1/4" X 3/4" LG.....	10
197	14390G4		LOCK NUT, 1/4 - 20	4
198	00642G7		WASHER, 1/4"	8
199	00414G6		BOLT, 1/4 - 20 X 3/4" LG.....	4
200				
201				
202				
203				
204				
205				
206				
207				
208	74890G01		REAR PANEL (ST SPORT)	1
209	16816G2		RATCHET FASTENER, 1/4" X 3/4" LG.....	8
210				
211				
212	27731G01		ASH TRAY	1
213	27736G01		GASKET.....	1
214	75108G02		BRACKET	1
215	00100G4		SCREW, #10 - 16 X 1/2" LG	4
216				
217	74365G01		GUN HOLDER.....	1

BODY

When ordering parts, please specify the model and serial number of the product.

* Indicates a component that is not available as an individual part.

*** Indicates consult Customer Service Department for additional information.

ITEM	PART NO.	1 2 3 4 5	DESCRIPTION	QTY.
218	74348G02		HITCH RECEIVER	1
219	00198G8		BOLT, 5/16 - 18 X 1" LG	1
220	00559G8		WASHER, 5/16"	1
221	11098G6		LOCK NUT, 5/16 - 18 (STAINLESS STEEL)	1
222	00463G4		BOLT, 7/16 - 14 X 1 1/2" LG	4
223	00922G3		WASHER, 7/16"	4
224	00734G1		LOCK NUT, 7/16 - 14	4
225				
226				
227				
228	74339G02		ANGLE HITCH	1
229	21317G01		CLEVIS PIN, 5/8" X 3" LG	1
230	21683G1		COTTER PIN, 15/32" X 2 11/16" LG	1
231	74351G02		HEAVY DUTY HITCH	1
232	31757G1		HITCH BALL, 1 7/8"	1
233	00566G6		LOCK WASHER, 3/4"	1
234	00702G11		NUT, 3/4 - 16	1
235	21317G01		CLEVIS PIN, 5/8" X 3" LG	1
236	21683G1		COTTER PIN, 15/32" X 2 11/16" LG	1
237	74489G02		DROP ANGLE HITCH	1
238	21317G01		CLEVIS PIN, 5/8" X 2 11/16" LG	1
239	21683G1		COTTER PIN, 15/32" X 2 11/16" LG	1
240	74491G02		DROP BALL HITCH	1
241	21317G01		CLEVIS PIN, 5/8" X 3" LG	1
242	21683G1		COTTER PIN, 15/32" X 2 11/16" LG	1
243	31757G1		HITCH BALL, 1 7/8"	1
244	00566G6		LOCK WASHER, 3/4"	1
245	00702G11		NUT, 3/4 - 16	1
246	74495G02		DROP CLEVIS HITCH	1
247	21317G01		CLEVIS PIN, 5/8" X 3" LG	1
248	21683G1		COTTER PIN, 15/32" X 2 11/16" LG	1

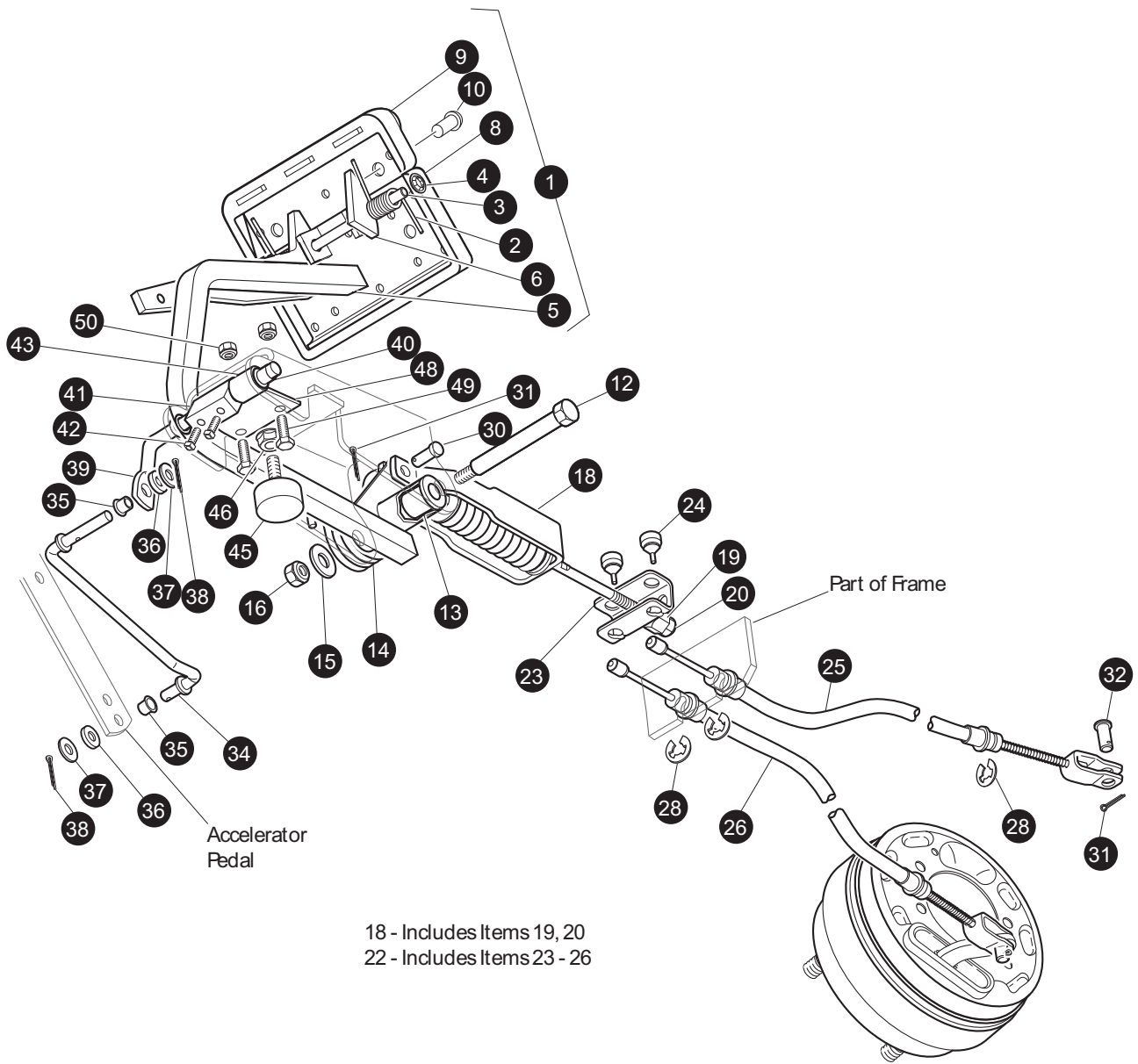
When ordering parts, please specify the model and serial number of the product.

* Indicates a component that is not available as an individual part.

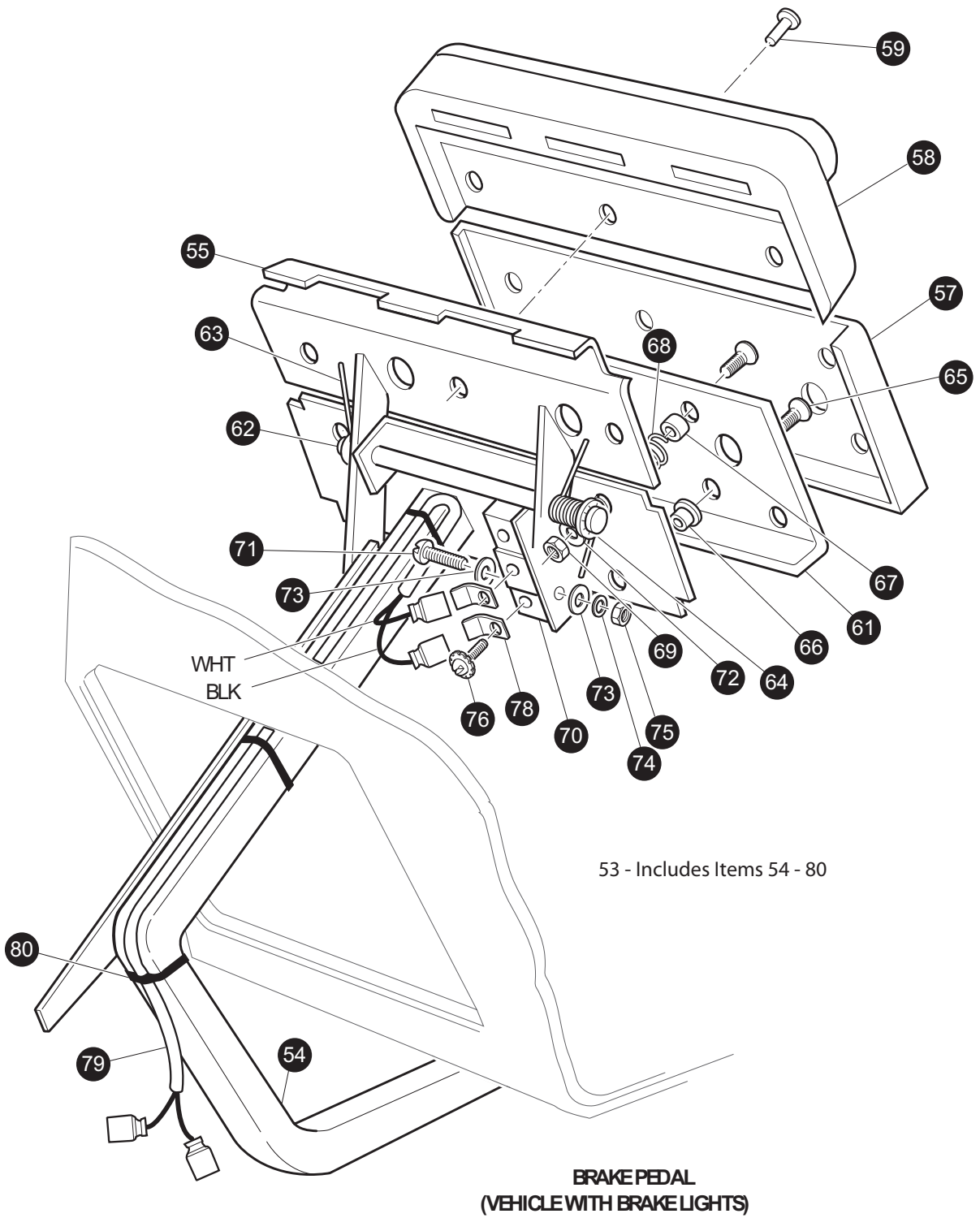
*** Indicates consult Customer Service Department for additional information.

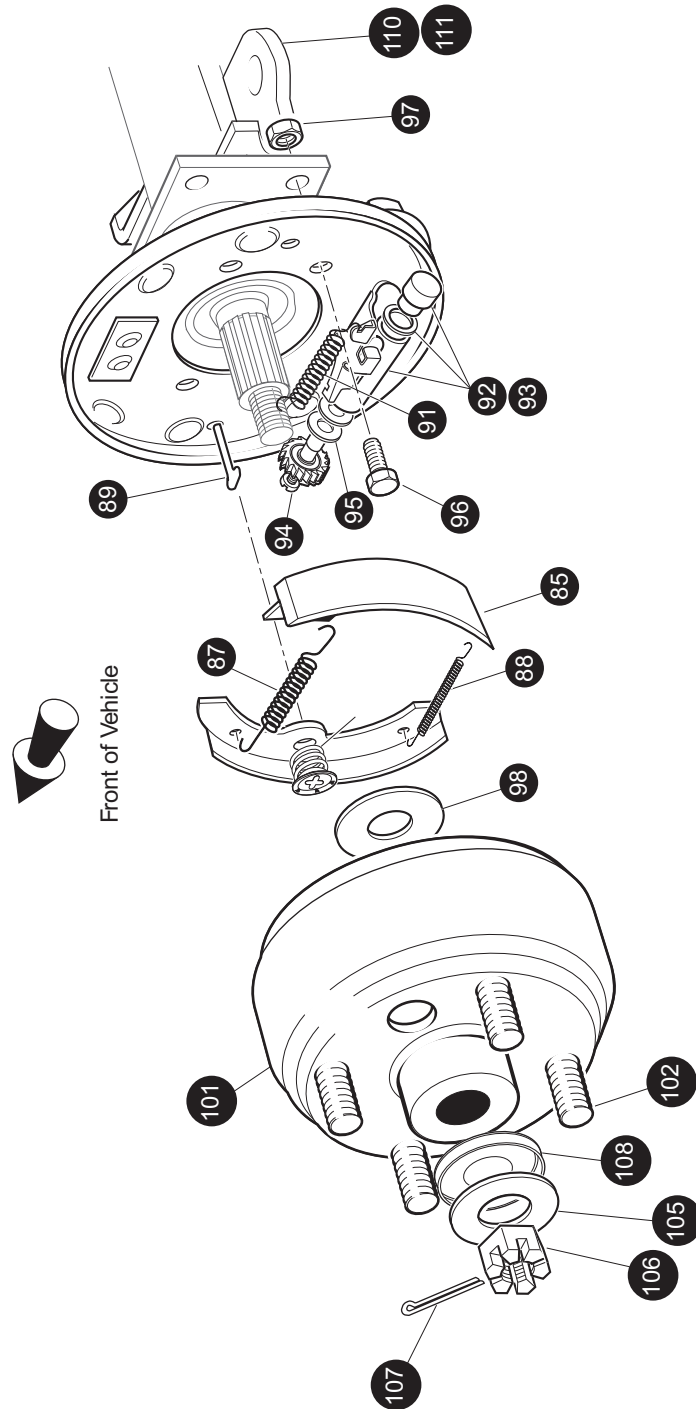
ITEM	PART NO.	1 2 3 4 5	DESCRIPTION	QTY.
249	14443G7		CLEVIS PIN, 1/2" X 2 1/2" LG.....	1
250	19314G1		COTTER PIN, 2 1/2" LG	1
251				
252				
253	74338G02		CLEVIS HITCH	1
254	14443G7		CLEVIS PIN, 1/2" X 2 1/2" LG.....	1
255	19314G1		COTTER PIN, 2 1/2" LG	1
256	21317G01		CLEVIS PIN, 5/8" X 3" LG.....	1
257	21683G1		COTTER PIN, 15/32" X 2 11/16" LG.....	1

BRAKES



Ref Brk 6-1





- 82 - Includes Items 84 - 92
- 83 - Includes Items 84 - 93
- 84 - Includes Items 85
- 86 - Includes Items 87 - 91
- 92 - Includes Items 94, 95
- 93 - Includes Items 94, 95
- 100 - Includes Items 101, 102

Ref Brk 6-3

When ordering parts, please specify the model and serial number of the product.

* Indicates a component that is not available as an individual part.

*** Indicates consult Customer Service Department for additional information.

ITEM	PART NO.	1 2 3 4 5	DESCRIPTION	QTY.
1	70612G02		BRAKE PEDAL ASSEMBLY (WITHOUT BRAKE LIGHTS) (INCLUDES ITEMS 2 - 10)	1
2	70681G01		TORSION SPRING.....	2
3	70682G01		PIVOT PIN.....	1
4	01071G01		PUSHNUT, 5/16"	1
5	70259G02		BRAKE PEDAL.....	1
6	70611G02		PARK BRAKE PEDAL	1
7				
8	70257G01		SERVICE BRAKE PAD.....	1
9	70256G01		PARK BRAKE PEDAL PAD	1
10	16409G1		OVAL RIVET, 3/16" X 3/8" LG	9
11				
12	70582G01		SHOULDER BOLT, 3/8 - 16 X 4" LG.....	1
13	70581G01		FLANGED BUSHING.....	2
14	70676G01		TORSION SPRING	1
15	00643G1		WASHER, 3/8"	1
16	11098G5		LOCK NUT, 3/8 - 16	1
17				
18	70272G04		COMPENSATOR ASSEMBLY (INCLUDES ITEMS 19, 20).....	1
19	00963G01		SPHERICAL NUT, 5/16 - 24	1
20	11098G9		LOCK NUT, 5/16 - 24.....	1
21				
22	70969G03		EQUALIZER AND BRAKE CABLE ASSEMBLY (INCLUDES ITEMS 23 - 26)	1
23	28082G01		EQUALIZER BRACKET	1
24	28083G01		BRAKE COMPENSATOR BUMPER	2
25	*		BRAKE CABLE (DRIVER SIDE)	1
26	*		BRAKE CABLE (PASSENGER SIDE).....	1
27				
28	01111G01		RETAINING RING, S.S.	4
29				
30	10386G3		CLEVIS PIN, 5/16" X 1" LG.....	3

BRAKES

When ordering parts, please specify the model and serial number of the product.

* Indicates a component that is not available as an individual part.

*** Indicates consult Customer Service Department for additional information.

ITEM	PART NO.	1 2 3 4 5	DESCRIPTION	QTY.
31	10387G3		COTTER PIN, 3/32" X 3/4" LG	3
32	14443G2		CLEVIS PIN, 5/16" X 3/4" LG	2
33				
34	70601G01		KICK-OFF LINK.....	1
35	17838G1		NYLON BUSHING.....	2
36	20835G1		TEFLON WASHER, 3/8"	2
37	00559G8		WASHER, 5/16".....	2
38	10387G3		COTTER PIN, 3/32" X 3/4" LG	2
39	70098G01		KICK-OFF CAM PIVOT	1
40	10097G6		FLANGED BEARING	2
41	70587G01		KICK-OFF CAM.....	1
42	71215G01		SETSCREW, 1/4 - 20 X 1/2" LG.....	2
43	14134G4		SPACER	1
44				
45	70113G01		ADJUSTABLE BUMPER	1
46	11027G1		LOCK NUT, 5/16 - 18.....	1
47				
48	70080G02		CATCH BRACKET	1
49	00414G6		BOLT, 1/4 - 20 X 3/4" LG	2
50	14390G4		LOCK NUT, 1/4 - 20.....	2
51				
52				
53	70690G02		BRAKE PEDAL ASSEMBLY (WITH BRAKE LIGHTS) (INCLUDES ITEMS 54 - 80).....	1
54	70686G02		BRAKE PEDAL	1
55	70611G02		PARK BRAKE PEDAL.....	1
56				
57	70257G01		SERVICE BRAKE PAD	1
58	70256G01		PARK BRAKE PAD	1
59	16409G1		OVAL RIVET, 3/16" x 3/8" LG	9
60				
61	70258G03		BRAKE PEDAL PLATE	1

When ordering parts, please specify the model and serial number of the product.

* Indicates a component that is not available as an individual part.

*** Indicates consult Customer Service Department for additional information.

ITEM	PART NO.	1 2 3 4 5	DESCRIPTION	QTY.
62	70682G01		PIVOT PIN.....	1
63	70681G01		TORSION SPRING.....	2
64	01071G01		PUSHNUT, 5/16"	1
65	00737G8		SCREW, #10 - 24 X 1" LG.....	4
66	00739G1		RUBBER NUT, #10 - 24	2
67	74535G01		BRAKE PEDAL STANDOFF.....	2
68	27137G01		CONICAL SPRING.....	2
69	14390G10		LOCK NUT, #10 - 24.....	2
70	10606G8		MICRO SWITCH	1
71	00957G1		SCREW, #6 - 32 X 1 1/4" LG.....	2
72	00559G5		WASHER, #10	2
73	00559G3		WASHER, #6	4
74	00565G3		LOCK WASHER, #6	2
75	00525G5		NUT, #6 - 32	2
76	13514G1		SCREW AND LOCK WASHER, #6	2
77				
78	14628G1		FASTON TAB.....	2
79	24605G1		WIRE HARNESS (BRAKE LIGHT).....	1
80	17618G1		WIRE TIE.....	2
81				
82	70998G01		BRAKE ASSEMBLY (DRIVER SIDE) (INCLUDES ITEMS 84 - 92).....	1
83	70998G02		BRAKE ASSEMBLY (PASSENGER SIDE) (INCL. ITEMS 84 - 91, 93).....	1
84	70794G01		BRAKE SHOE KIT (INCLUDES ITEM 85)	2
85	*		BRAKE SHOE.....	2
86	27944G01		BRAKE SPRING KIT (INCLUDES ITEMS 87 - 91)	2
87	*		UPPER SPRING	1
88	*		LOWER SPRING	1
89	*		PIN	2
90	*		CUP AND SPRING	2
91	*		ADJUSTER SPRING	1
92	72582G01		BRAKE ADJUSTER KIT (DRIVER SIDE) (INCLUDES ITEMS 94, 95)....	1

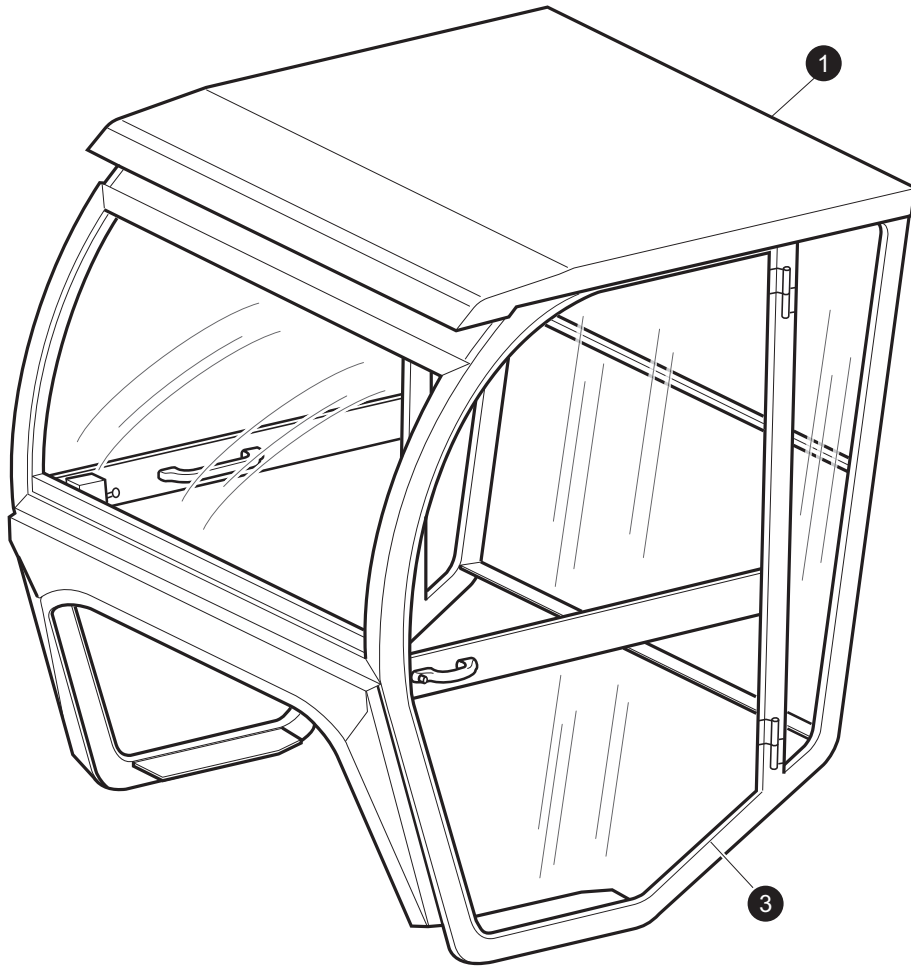
BRAKES

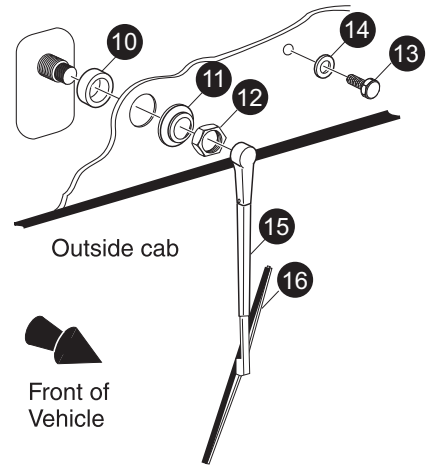
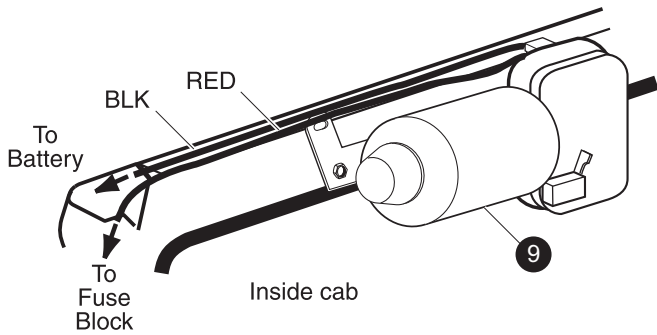
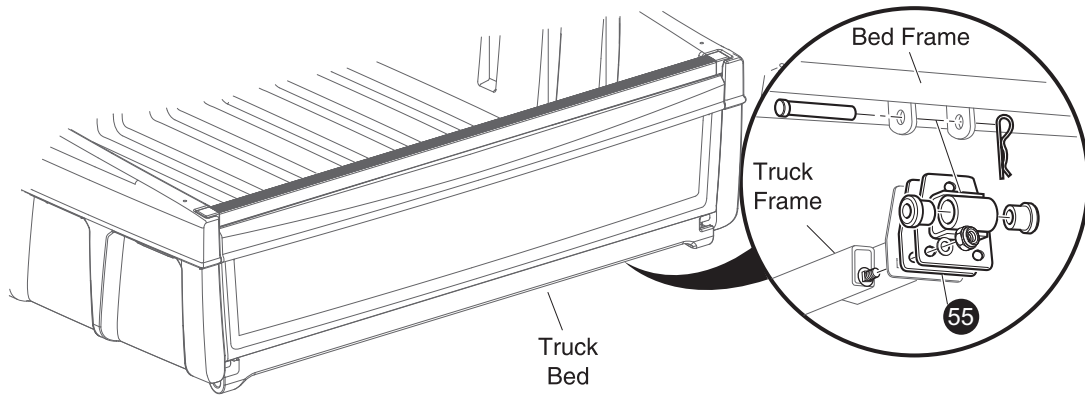
When ordering parts, please specify the model and serial number of the product.

* Indicates a component that is not available as an individual part.

*** Indicates consult Customer Service Department for additional information.

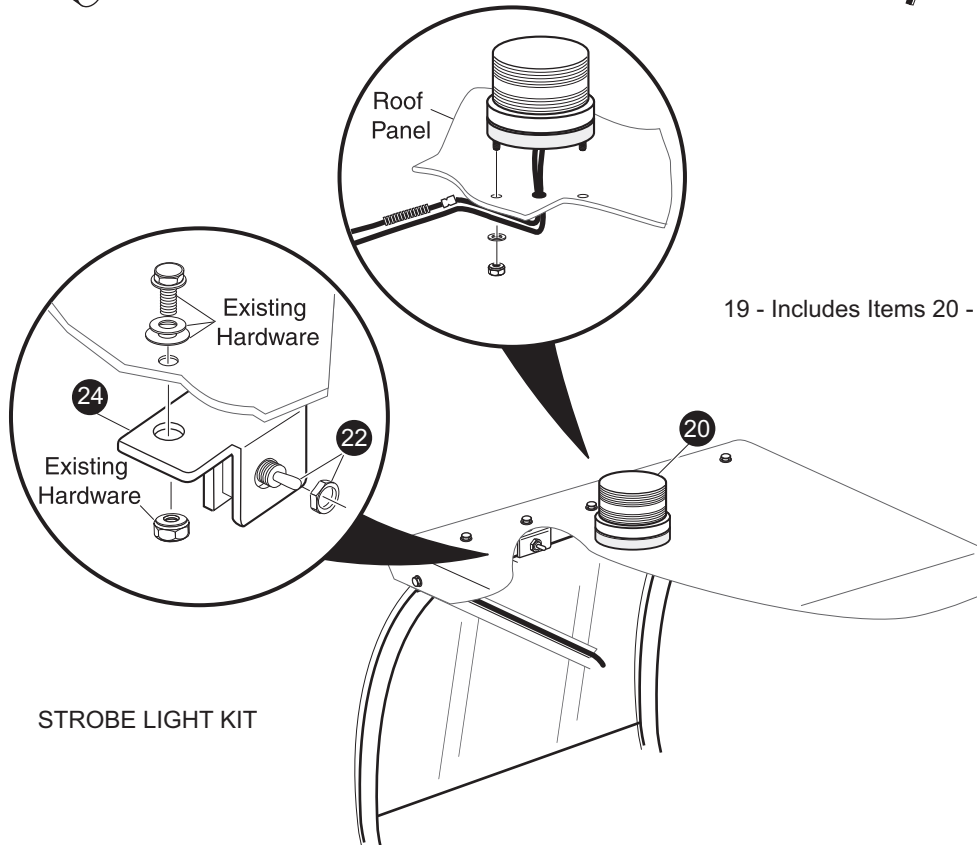
ITEM	PART NO.	1	2	3	4	5	DESCRIPTION	QTY.
93	72582G02						BRAKE ADJUSTER KIT (PASSENGER SIDE) (INCL ITEMS 94, 95).....	1
94	*						ADJUSTER.....	1
95	*						TEFLON WASHER.....	2
96	17083G2						BOLT, 5/16 - 24 X 1" LG	8
97	15126G1						LOCK NUT, 5/16 - 24.....	8
98	21809G1						INNER BRAKE DRUM WASHER, 1 5/16" OD X 1" ID X 1/32"	2
99								
100	21807G2						BRAKE DRUM ASSEMBLY (INCLUDES ITEMS 101 - 102).....	2
101	*						BRAKE DRUM	1
102	19862G1						LUG BOLT, 1/2 - 20.....	4
103								
104	24939G2						SPINDLE CAP ADAPTER.....	2
105	606945						OUTER BRAKE DRUM WASHER	2
106	606403						SLOTTED NUT, 3/4 - 16.....	2
107	10387G1						COTTER PIN, 1/8" X 1 1/2" LG	2
108	607033						SPINDLE CAP.....	2
109								
110	608200						BRAKE CABLE BRACKET (PASSENGER SIDE).....	1
111	608201						BRAKE CABLE BRACKET (DRIVER SIDE)	1





WINDSHIELD WIPER COMPONENTS

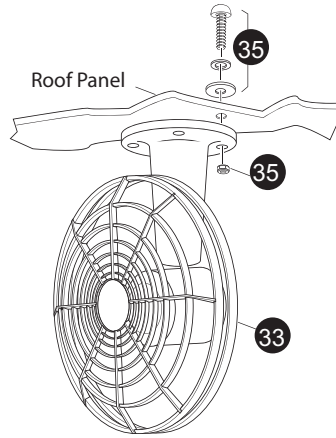
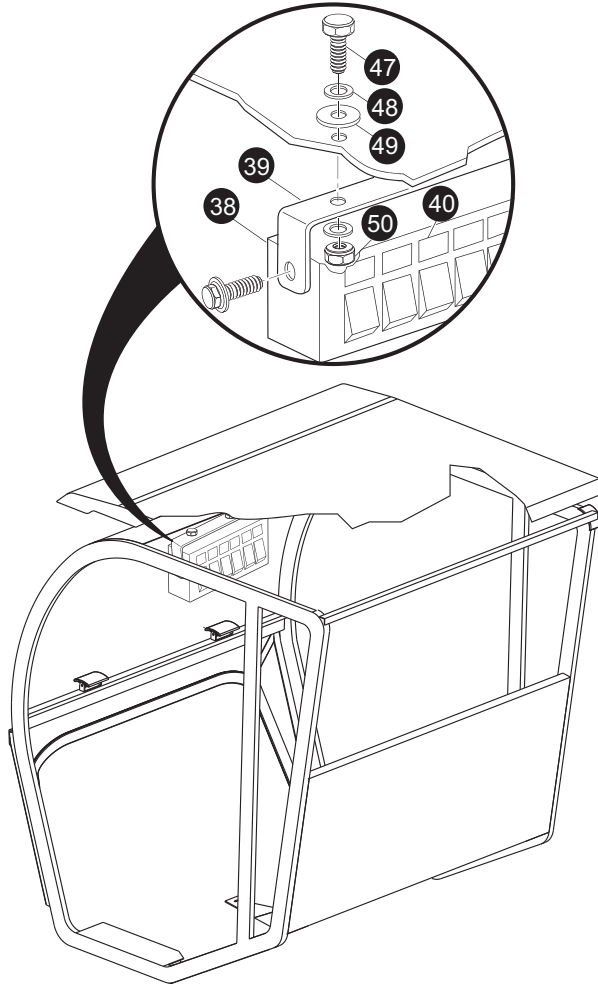
8- Includes Items 9 - 17



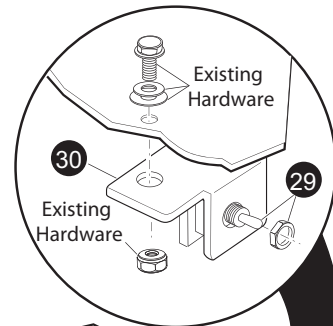
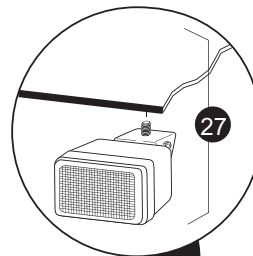
19 - Includes Items 20 - 24

STROBE LIGHT KIT

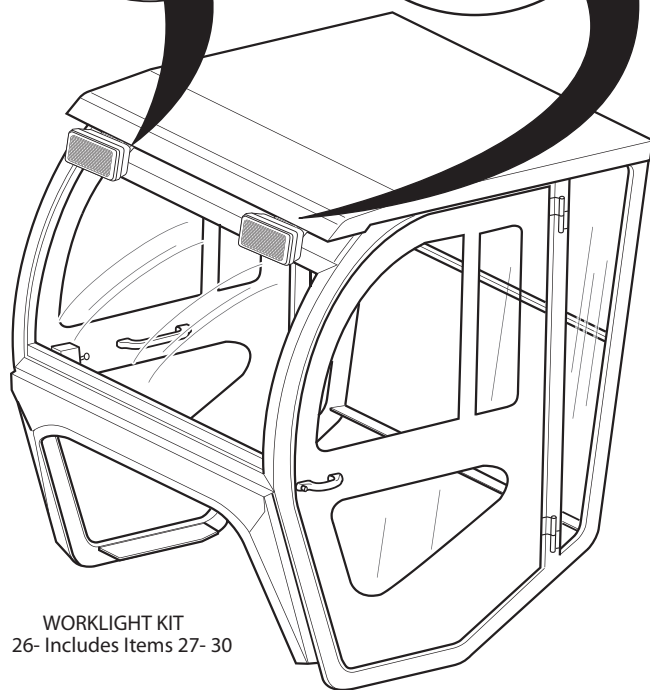
SWITCH PANEL KIT
37 - Includes Items 38 - 52



DEFROSTER / COOLING FAN KIT
32 - Includes Items 33- 35



WORKLIGHT KIT
26 - Includes Items 27- 30



When ordering parts, please specify the model and serial number of the product.

* Indicates a component that is not available as an individual part.

*** Indicates consult Customer Service Department for additional information.

ITEM	PART NO.	1 2 3 4 5	DESCRIPTION	QTY.
1	72684G**		STEEL CAB (WITHOUT DOORS) REPACEMENT PARTS AND ACCESSORIES MAY BE OBTAINED FROM CURTIS CAB, INC.) (ST 350).	1
2				
3	75855G01		VINYL DOOR KIT	1
4	75856G**		STEEL DOOR KIT	1
5				
6				
7				
8	74244G01		WINDSHIELD WIPER KIT (INCLUDES ITEMS 9 -17)	1
9	9PWM85		WIPER MOTOR (INCLUDES ITEMS 10 - 14).....	1
10	*		SPACER.....	1
11	*		SHAFT COVER (SEAL).....	1
12	*		NUT.....	1
13	*		BOLT.....	1
14	*		WASHER	1
15	9PWA		WIPER ARM.....	1
16	9PWB		WINDSHIELD WIPER BLADE	1
17	9E003		ELECTRICAL HARDWARE KIT (NOT ILLUSTRATED).....	1
18				
19	74245G01		STROBE LIGHT KIT (INCLUDES ITEMS 20 - 24)	1
20	9PSLRL		STROBE LENS	1
21	9E001		ELECTRICAL HARDWARE KIT (NOT ILLUSTRATED).....	1
22	9E002		TOGGLE SWITCH.....	1
23	9PSLRB		REPLACEMENT BULB (NOT ILLUSTRATED).....	1
24	9PB001		BRACKET.....	1
25				
26	74247G01		WORK LIGHT KIT (INCLUDES ITEMS 27 - 30).....	1
27	9LW1A		WORK LIGHT (INCLUDES HARDWARE)	2
28	9E001		ELECTRICAL HARDWARE KIT (NOT ILLUSTRATED).....	1
29	9E002		TOGGLE SWITCH.....	1
30	9PB001		BRACKET.....	1

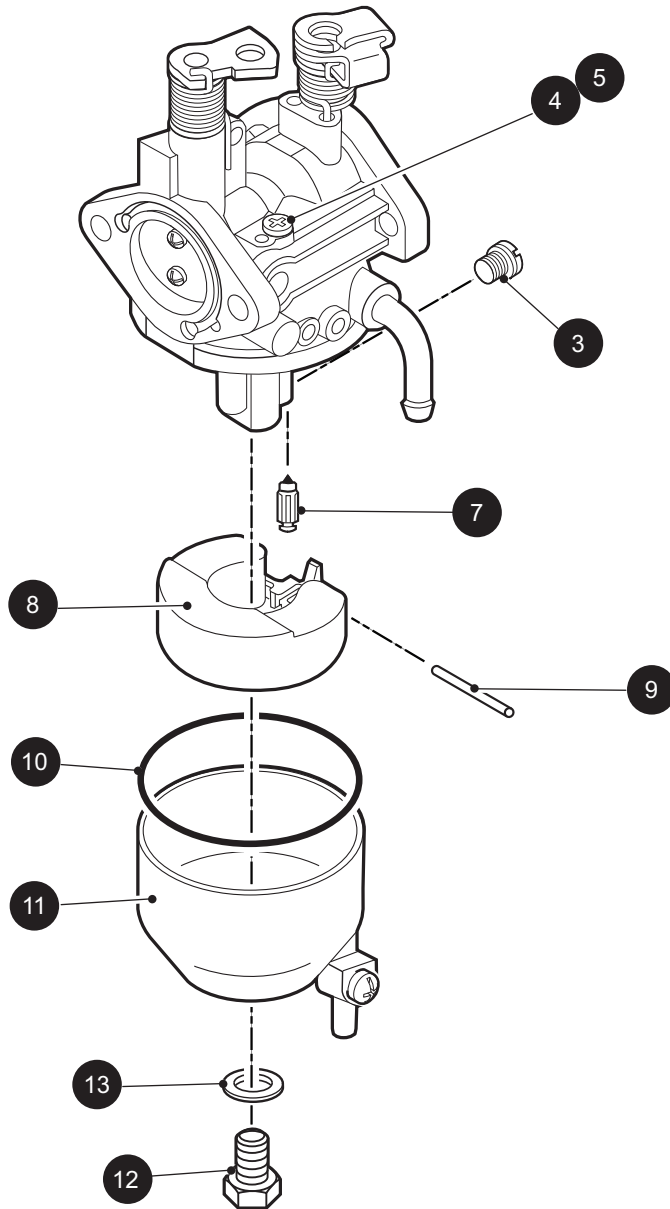
When ordering parts, please specify the model and serial number of the product.

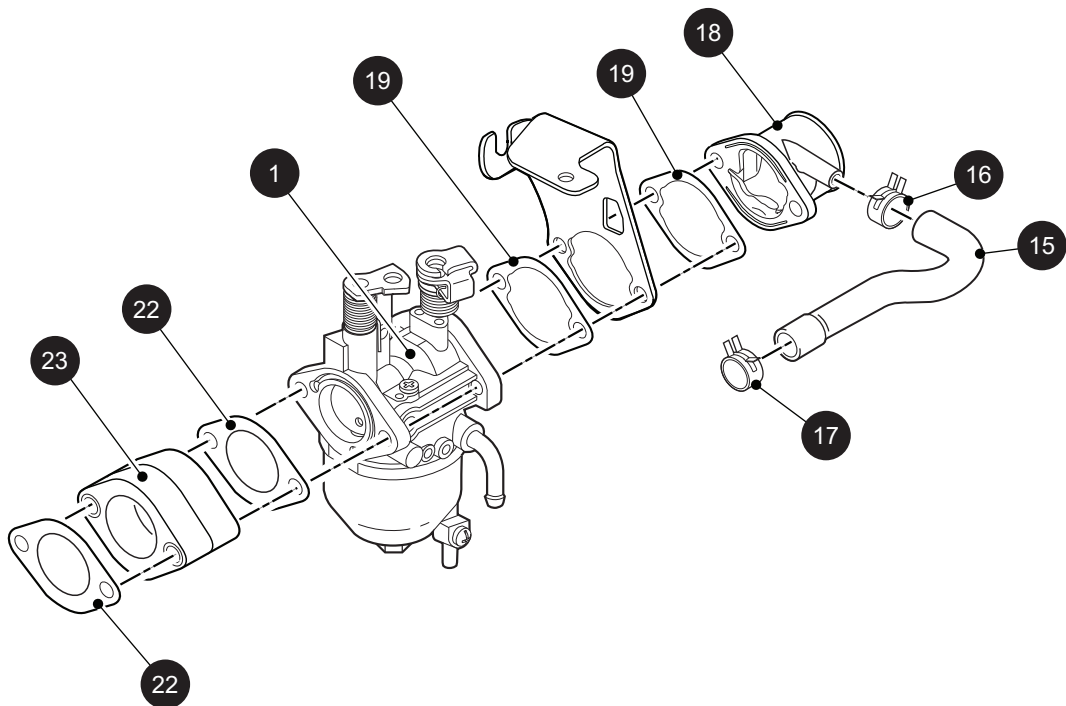
* Indicates a component that is not available as an individual part.

*** Indicates consult Customer Service Department for additional information.

ITEM	PART NO.	1	2	3	4	5	DESCRIPTION	QTY.
31								
32	74248G01						DEFROSTER / COOLING FAN KIT (INCLUDES ITEMS 33 - 35)	1
33	9PDF						FAN	1
34	9E001						ELECTRICAL HARDWARE KIT (NOT ILLUSTRATED)	1
35	9PFHK						HARDWARE KIT	1
36								
37	74250G01						SWITCH PANEL KIT (INCLUDES ITEMS 38 - 52)	1
38	9PSF1-001						SWITCH PANEL	1
39	9PSF1-002						MOUNTING BRACKET AND HARDWARE	1
40	9PSF1-003						ADHESIVE LABELS	1
41	9PSF1-004						3 AMP FUSE (NOT ILLUSTRATED).....	2
42	9PSF1-005						5 AMP FUSE (NOT ILLUSTRATED).....	3
43	9PSF1-006						7.5 AMP FUSE (NOT ILLUSTRATED).....	1
44	9PSF1-007						FLEX LOOM, 5/8" X 10 FT LG (NOT ILLUSTRATED).....	1
45	9PSF1-008						4-WAY BASE TIE (NOT ILLUSTRATED).....	6
46	9PSF1-009						WIRE TIE (NOT ILLUSTRATED).....	14
47	9PSF1-010						BOLT, 1/4 - 20 X 7/8" LG.....	2
48	9PSF1-011						WASHER, 1/4"	4
49	9PSF1-012						NYLON WASHER, 1/4".....	2
50	9PSF1-013						LOCK NUT, 1/4 - 20	2
51	9PSF1-014						10 GA WIRE (RED 8") (NOT ILLUSTRATED)	1
52	9PSF1-015						10 GA WIRE (BLACK 8") (NOT ILLUSTRATED).....	1
53								
54								
55	6E03T						BED SPACER.....	2
56								

CARBURETOR AND CHOKE





CARBURETOR AND CHOKE

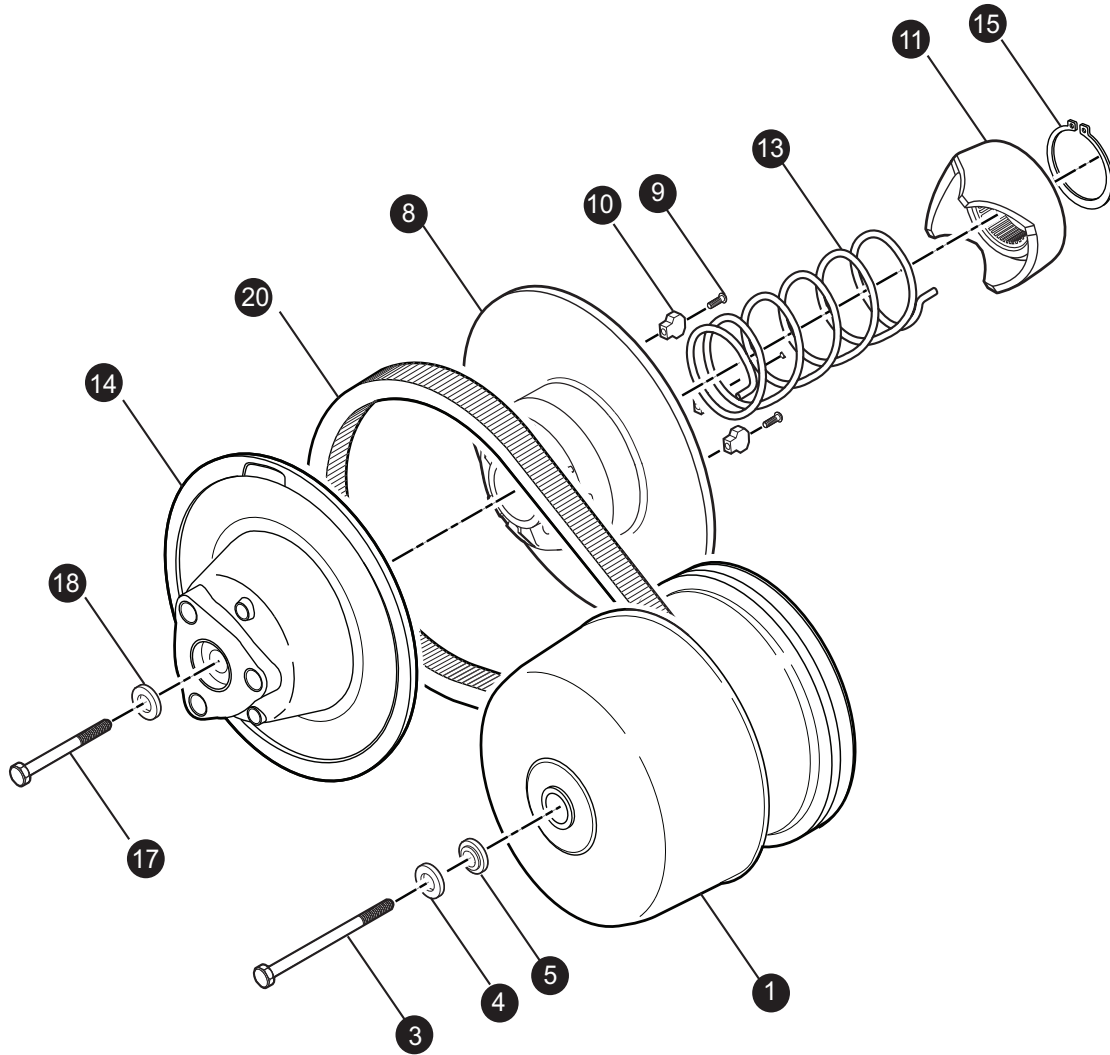
When ordering parts, please specify the model and serial number of the product.

* Indicates a component that is not available as an individual part.

*** Indicates consult Customer Service Department for additional information.

ITEM	PART NO.	1	2	3	4	5	DESCRIPTION	QTY.
1	607954						CARBURETOR (INCLUDES ITEMS 3 - 21)	1
2								
3	607683						MAIN JET (#104).....	1
4	608021						PILOT JET (#44)	1
5	603585						PLUG.....	1
6								
7	603586						NEEDLE VALVE	1
8	603587						FLOAT	1
9	603588						FLOAT PIN	1
10	603589						FLOAT BOWL GASKET	1
11	603590						FLOAT CHAMBER	1
12	603592						BOWL SCREW	1
13	603591						BOWL GASKET	1
14								
15	603598						BREATHER TUBE.....	1
16	603596						CLAMP, INTAKE TUBE	1
17	603597						CLAMP CYLINDER HEAD TUBE	1
18	603594						INTAKE TUBE	1
19	603593						CHOKE GASKET	2
20	603595						NUT, M6 X 1.0	2
21	608023						THROTTLE ROD ATTACHMENT BUSHING	1
22	603580						CARBURETOR MOUNT GASKET	2
23	603581						CARBURETOR INSULATOR	1

7 - Includes items 8 to 15



When ordering parts, please specify the model and serial number of the product.

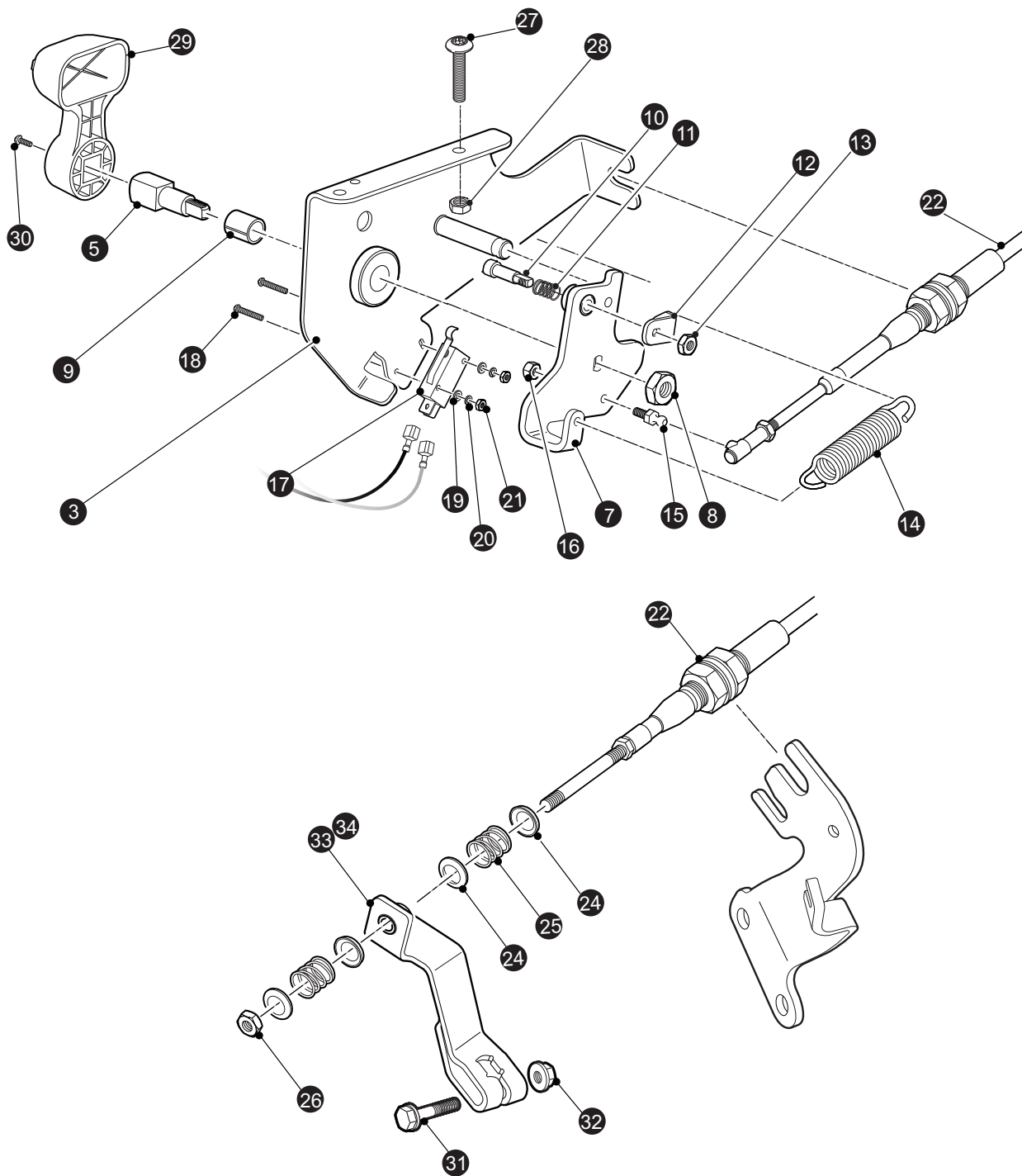
* Indicates a component that is not available as an individual part.

*** Indicates consult Customer Service Department for additional information.

ITEM	PART NO.	1 2 3 4 5	DESCRIPTION	QTY.
1	602000		DRIVE CLUTCH	1
2				
3	606245		BOLT, M12 - 1.25 X 160MM LG	1
4	606239		WASHER, M12	1
5	606230		WASHER	1
6				
7	602001		DRIVEN CLUTCH ASSEMBLY (INCLUDES ITEMS 8 - 15).....	1
8	*		MOVABLE SHEAVE	1
9	608210		SCREW, M4 X 25.....	3
10	608204		RAMP BUTTON	3
11	*		CAM.....	1
12				
13	608209		COMPRESSION SPRING	1
14	*		SHEAVE AND POST	1
15	608211		HEAVY DUTY RETAINING RING.....	1
16				
17	606243		BOLT, M12 - 1.25 X 120MM LG	1
18	606239		WASHER, M12	1
19				
20	606136		DRIVE BELT	1

DIRECTION SELECTOR

1 - includes Items (3, 5, 7 - 22, 24 - 33)



DIRECTION SELECTOR

When ordering parts, please specify the model and serial number of the product.

* Indicates a component that is not available as an individual part.

*** Indicates consult Customer Service Department for additional information.

ITEM	PART NO.	1 2 3 4 5	DESCRIPTION	QTY.
1	606173		DIRECTION SELECTOR ASSY (INCLUDES ITEMS 3, 5, 7-22, 24 - 33)	1
2				
3	606077		DIRECTION SELECTOR BRACKET (INCLUDES ITEM 9)	1
4				
5	70233G01		DIRECTION SELECTOR SHAFT	1
6				
7	603700		DIRECTION SELECTOR CAM	1
8	14390G1		LOCK NUT, 3/8 - 24	1
9	*		BUSHING	1
10	72724G01		NEUTRAL LOCK PIN	1
11	72733G01		COMPRESSION SPRING, 3/8" X 5/8" LG	1
12	72729G01		NEUTRAL LOCK BRACKET	1
13	00734G2		LOCK NUT, 1/4 - 28	1
14	28574G01		EXTENSION SPRING	1
15	72732G01		BALL STUD, 1/4"	1
16	00734G5		LOCK NUT, #10 - 32	1
17	72736G01		MICRO SWITCH	1
18	01062G01		SCREW, #4 - 40 X 1" LG	2
19	00559G1		WASHER, #4	2
20	00565G1		LOCK WASHER, #4	2
21	00526G2		NUT, #4 - 40	2
22	605807		PUSH / PULL SHIFTER CABLE	1
23				
24	25727G01		CUP WASHER, 1/4"	4
25	72735G01		COMPRESSION SPRING, 19/32" X 1" LG	2
26	00734G5		LOCK NUT, #10 - 32	1
27	70227G01		SCREW, 1/4 - 20 X 7/8" LG	2
28	11027G2		LOCK NUT, 1/4 - 20	2
29	71205G01		DIRECTION SELECTOR HANDLE	1
30	00740G4		SCREW, #10 - 32 X 1/2" LG (STAINLESS STEEL)	1
31	606421		BOLT, M6 - 1.00 X 30	1

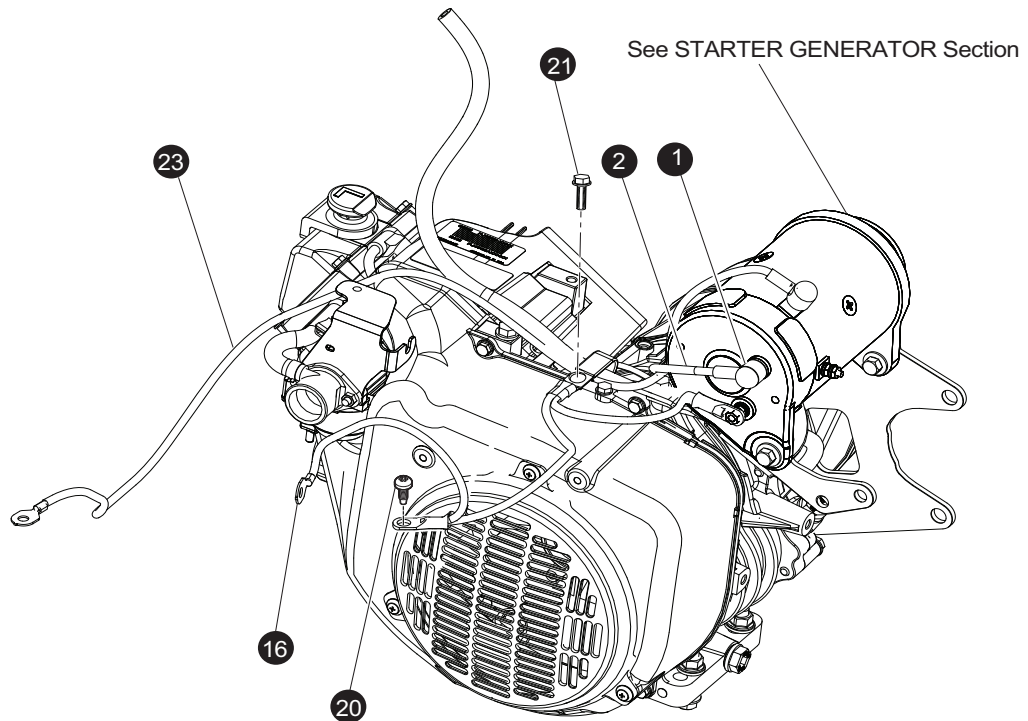
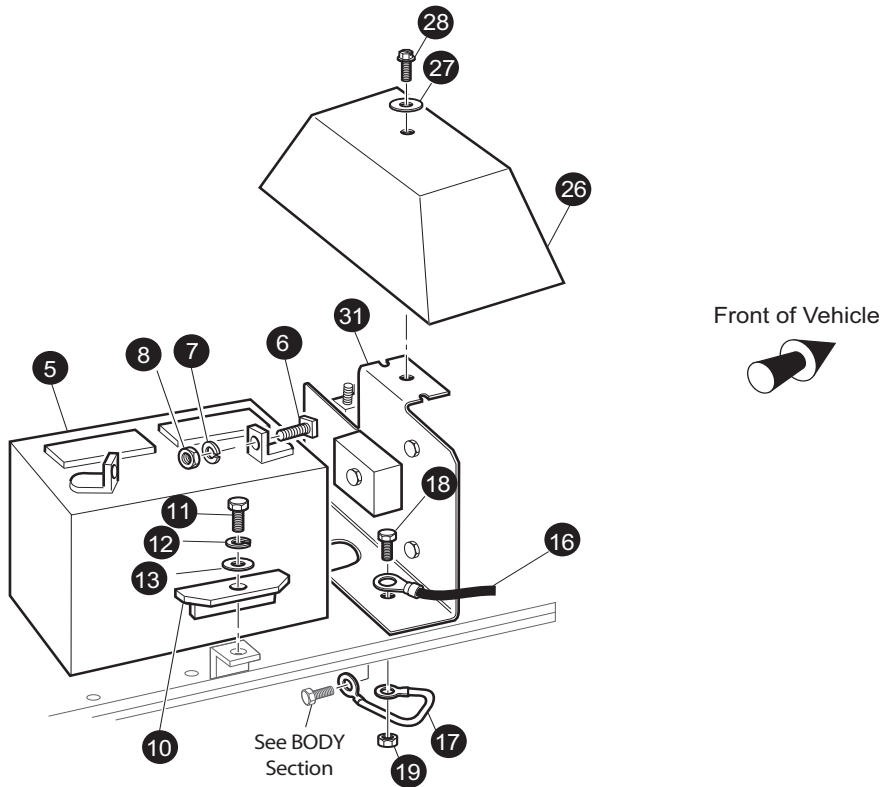
DIRECTION SELECTOR

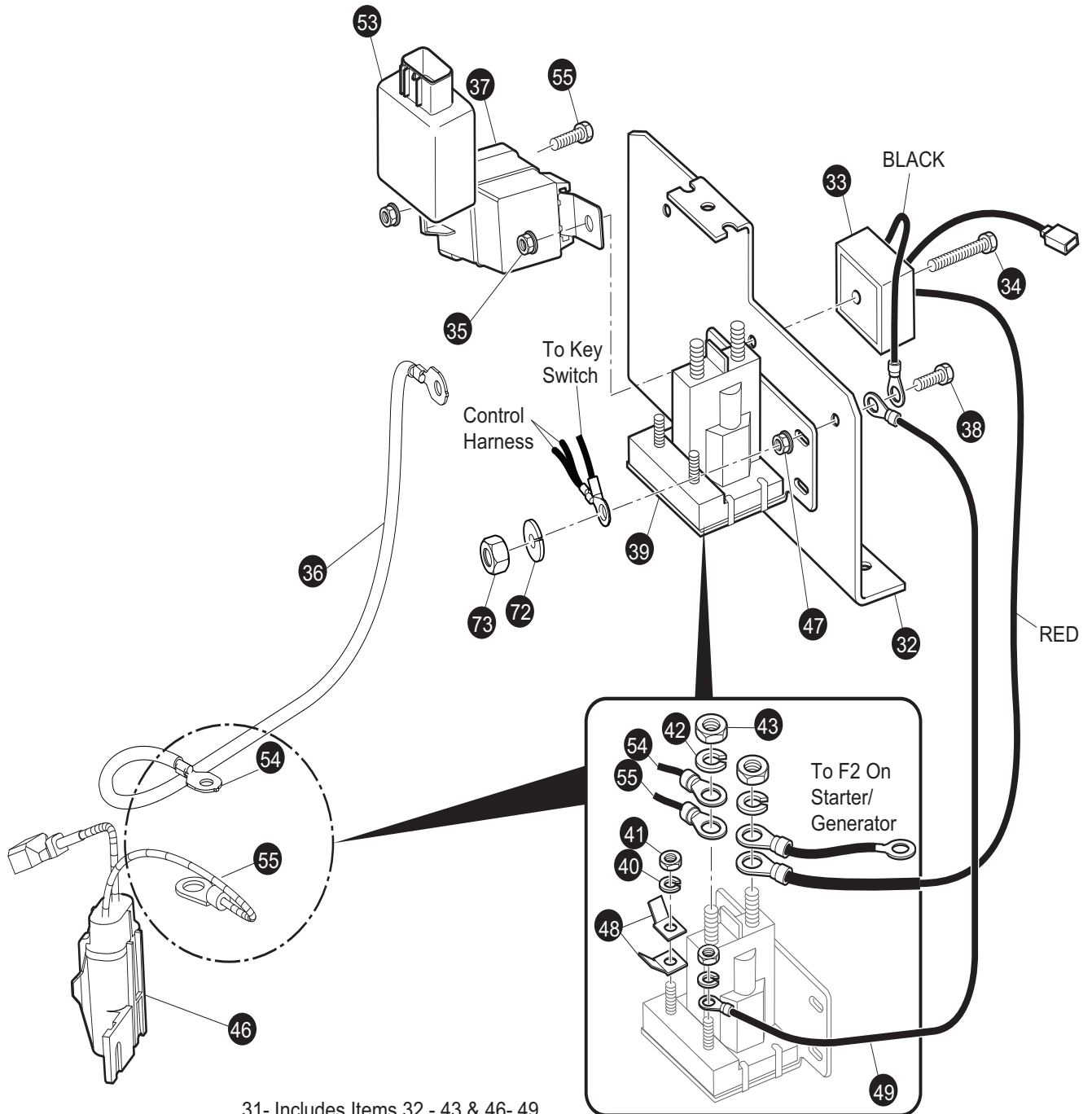
When ordering parts, please specify the model and serial number of the product.

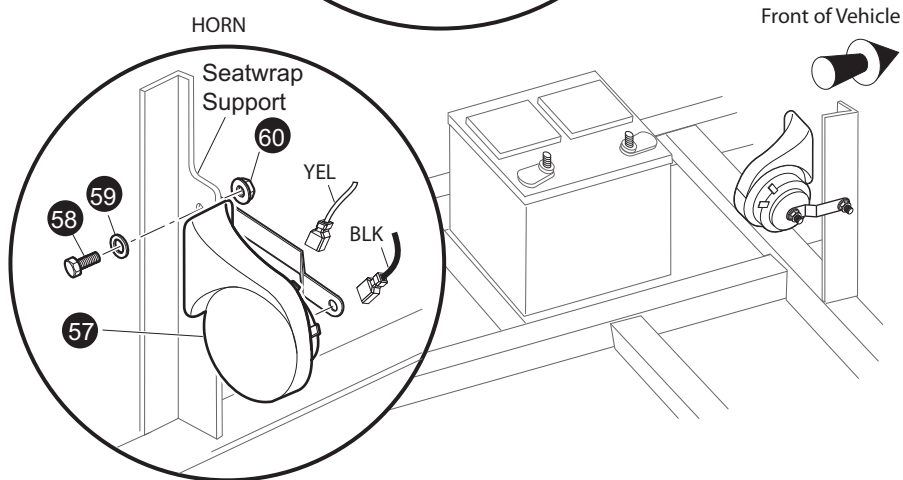
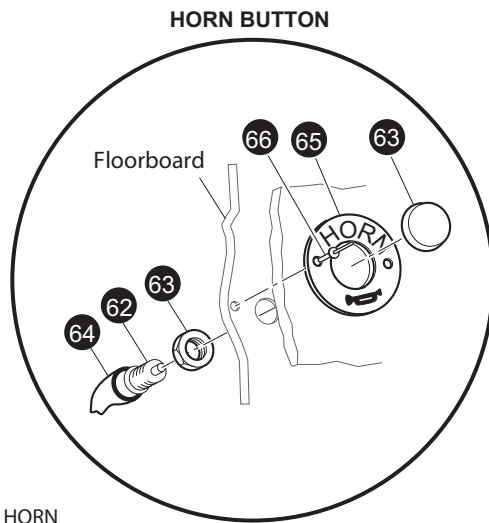
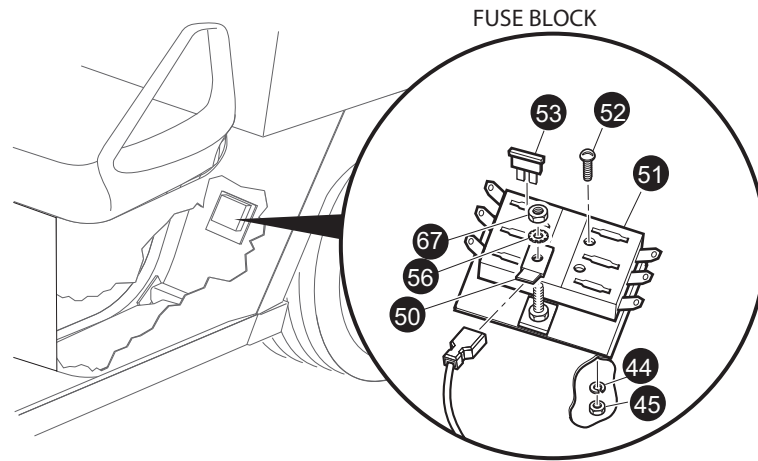
* Indicates a component that is not available as an individual part.

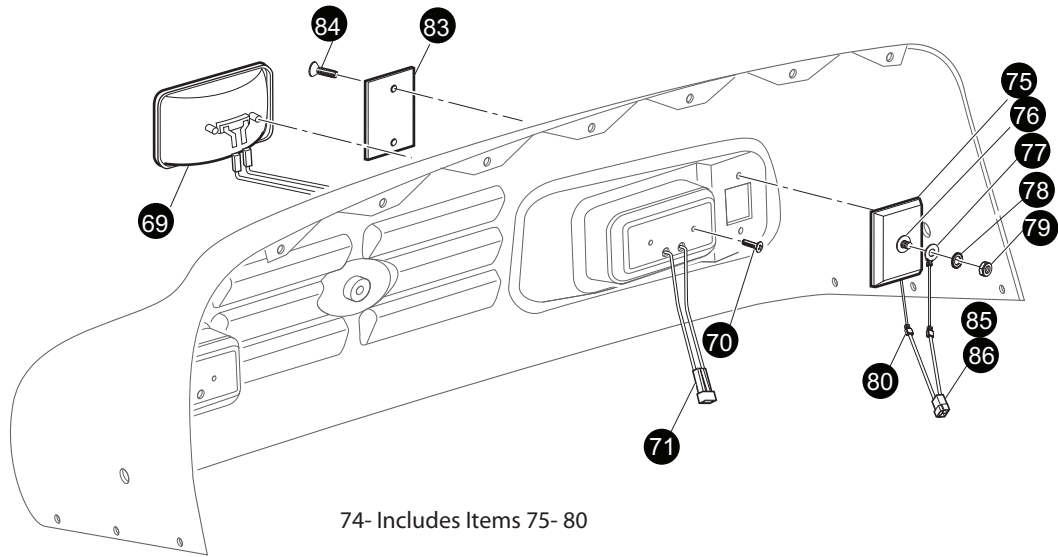
*** Indicates consult Customer Service Department for additional information.

ITEM	PART NO.	1 2 3 4 5	DESCRIPTION	QTY.
32	450452		NUT, M6 - 1.00	1
33	606014		SHIFTER ARM (INCLUDES ITEM 34)	1
34	*		BUSHING, FLIP LOK, 0.25	1
35	31539G1		WIRE TIE (NOT SHOWN IN ILLUSTRATION).....	1
36	01072G01		CABLE CLIP (NOT SHOWN IN ILLUSTRATION).....	1

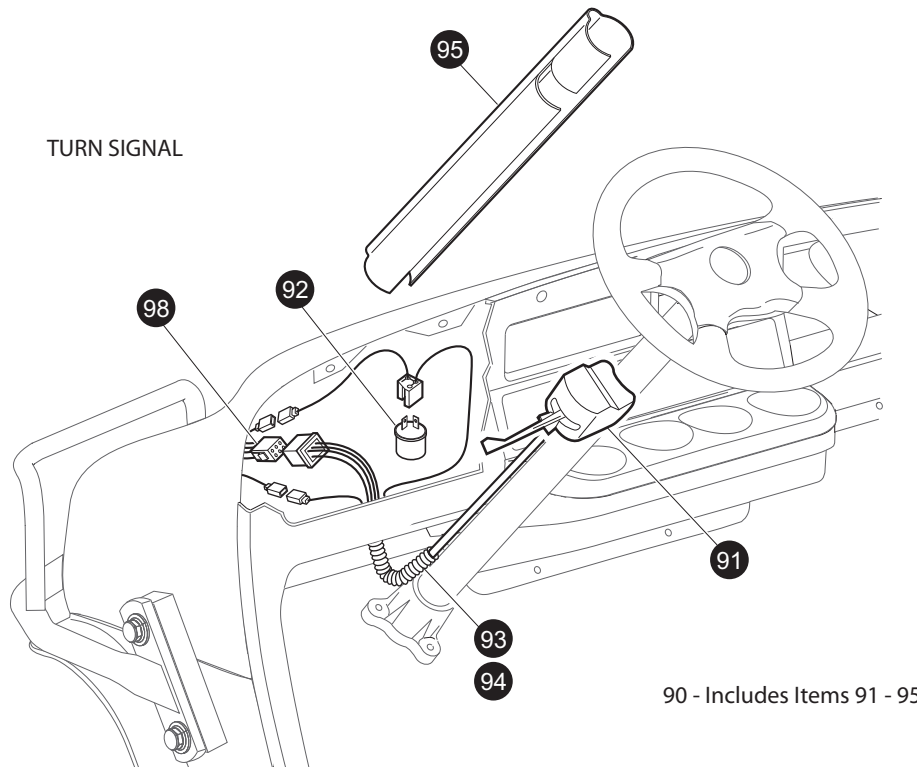
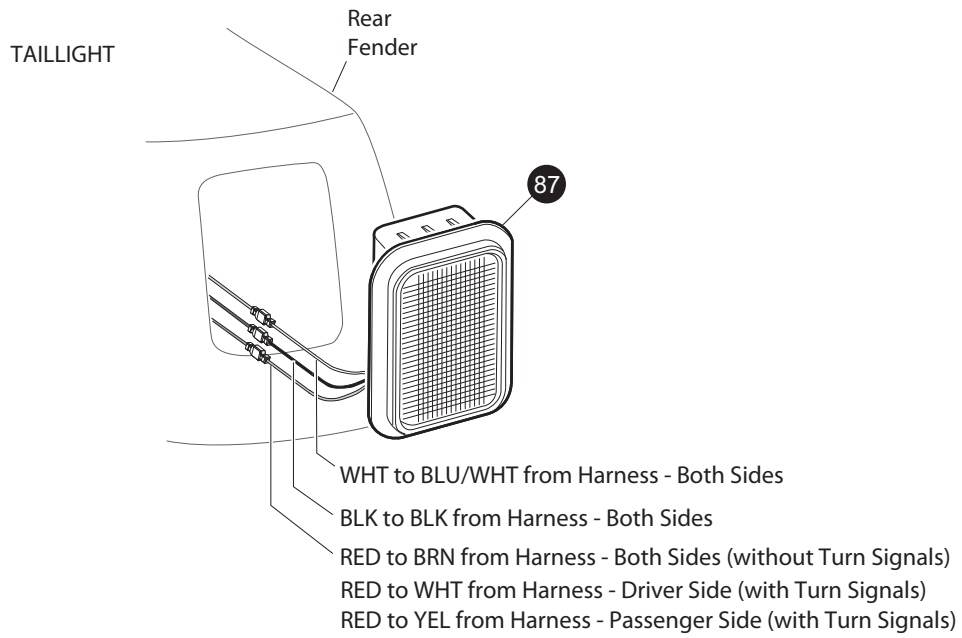






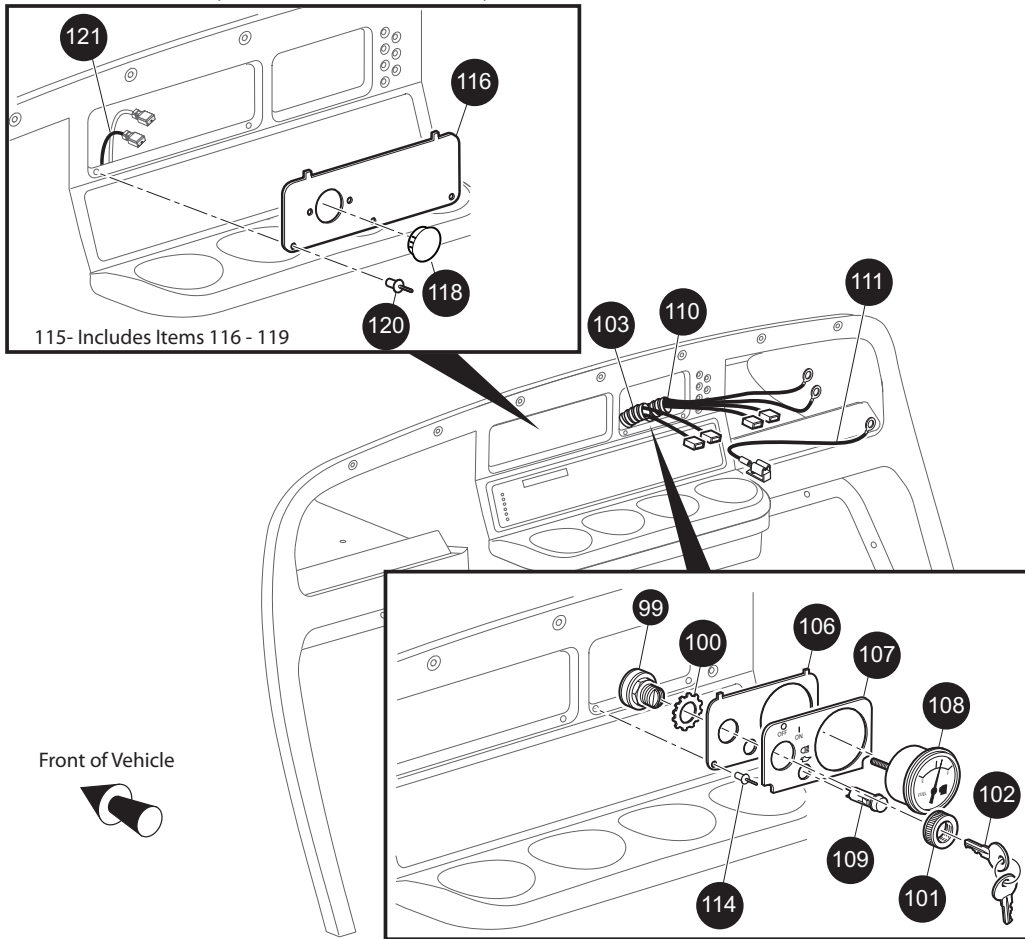


Ref Ele 11-4



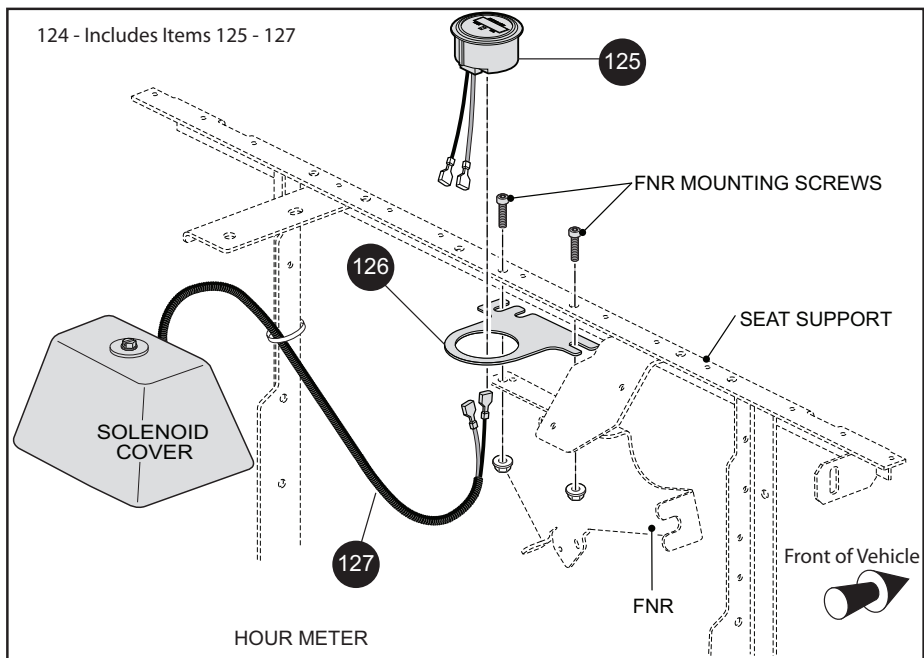
Ref Ele 11-5

CONSOLE INSERT PLATE (WITH POWER OUTLET SHOWN)



KEY SWITCH, INDICATOR LIGHT(S), AND FUEL GAUGE

124 - Includes Items 125 - 127



Ref Ele 11-6

ELECTRICAL

When ordering parts, please specify the model and serial number of the product.

* Indicates a component that is not available as an individual part.

*** Indicates consult Customer Service Department for additional information.

ITEM	PART NO.	1 2 3 4 5	DESCRIPTION	QTY.
1	607053		6 GA WIRE (BLACK 6", F1 - A2).....	1
2	25682G1		TERMINAL COVER.....	3
3				
4				
5	24775G*		BATTERY, 12V	1
6	*		BOLT, 5/16 - 18 X 1 1/4" LG.....	2
7	*		LOCK WASHER, 5/16" (SILICON BRONZE).....	2
8	*		NUT, 5/16 - 18 (SILICON BRONZE)	2
9				
10	72101G02		BATTERY HOLD DOWN	1
11	00438G6		BOLT, 5/16 - 18 X 3/4" LG	3
12	00565G8		LOCK WASHER, 5/16"	1
13	00571G2		WASHER, 5/16" (STAINLESS STEEL)	1
14				
15				
16	27044G03		GROUND CABLE.....	1
17	25976G19		14 GA WIRE (BLACK 6").....	1
18	00438G6		BOLT, 5/16 - 18 X 3/4" LG	2
19	11027G1		LOCK NUT, 5/16 - 18.....	2
20	26676G01		FLANGED BOLT	1
21	606264		BOLT, M6-1 X 20	1
22				
23	25972G85		6 GA WIRE (BLACK 23", F2 - SOL).....	1
24	605821		WIRE HARNESS (CONTROL).....	1
25	17618G1		WIRE TIE (NOT ILLUSTRATED)	AR
26	73049G01		COVER FNR	1
27	16469G1		WASHER, 1/4".....	1
28	00114G6		SCREW, 1/4 - 14 X 3/4" LG.....	1
29				
30				
31	605563		ELECTRICAL PLATE ASSEMBLY (INCLUDES ITEMS 32 - 49)	1

When ordering parts, please specify the model and serial number of the product.

* Indicates a component that is not available as an individual part.

*** Indicates consult Customer Service Department for additional information.

ITEM	PART NO.	1 2 3 4 5	DESCRIPTION	QTY.
32	73057G01		BRACKET.....	1
33	27739G01		VOLTAGE REGULATOR.....	1
34	00415G4		BOLT, 1/4 - 20 X 1 1/4" LG.....	1
35	11027G2		LOCK NUT, 1/4 - 20.....	1
36	25972G33		WIRE ASSEMBLY 6 GA.....	1
37	603282		RELAY.....	1
38	00661G08		BOLT, 1/4 - 20 X 1" LG.....	1
39	27153G01		SOLENOID.....	1
40	*		LOCK WASHER, #10.....	2
41	*		NUT, #10 - 32.....	2
42	*		LOCK WASHER, 5/16".....	2
43	*		NUT, 5/16 - 24.....	2
44	00559G5		WASHER, # 10.....	2
45	14390G10		LOCKNUT, #10-24.....	2
46	600418G01		FUSE HOLDER ASSEMBLY.....	1
47	11027G2		LOCK NUT, 1/4 - 20.....	1
48	73446G01		FASTON TAB, 90°.....	2
49	25978G56		18 GA WIRE (BLACK 5 3/4").....	1
50	12914G01		PUSH ON MALE TERMINAL.....	1
51	35211G01		FUSE BLOCK.....	1
52	00379G2		RIVET, 1/8" X 13/16" LG.....	2
53	35212G01		15 AMP FUSE.....	3
54	25972G33		#6 GA WIRE ASSEMBLY.....	1
55	20216G1		16 GA WIRE (RED).....	1
56	00567G5		LOCK WASHER, #10.....	1
57	32860G1		HORN.....	1
58	00414G5		BOLT, 1/4 - 20 x 5/8" LG.....	1
59	00559G7		WASHER, 1/4" (STAINLESS STEEL).....	1
60	14390G4		LOCK NUT, 1/4 - 20.....	1
61				
62	17318G1		HORN SWITCH.....	1

ELECTRICAL

When ordering parts, please specify the model and serial number of the product.

* Indicates a component that is not available as an individual part.

*** Indicates consult Customer Service Department for additional information.

ITEM	PART NO.	1 2 3 4 5	DESCRIPTION	QTY.
63	17318G2		HORN SWITCH CAP AND NUT	1
64	27068G01		HORN SWITCH BOOT.....	1
65	19233G1		HORN SWITCH LABEL.....	1
66	71055G01		RIVET, 3/16" X 1" LG (ALUMINUM)	2
67	00526G4		NUT, #10-32	1
68				
69	22523G01		HEADLIGHT (INCLUDES ITEM 70).....	2
70	01085G01		SCREW, #10 - 24 X 2 - 1/7	4
71	74337G01		JUMPER WIRE (HEADLIGHT)	2
72				
73				
74	20570G3		TURN SIGNAL LIGHT ASSEMBLY (INCLUDES ITEMS 75 - 80).....	2
75	20574G3		TURN SIGNAL LIGHT	1
76	00660G7		WASHER, 1/4" (STAINLESS STEEL).....	1
77	20606G1		WIRE ASSEMBLY.....	1
78	00567G7		LOCK WASHER, 1/4"	1
79	00532G1		NUT, 1/4 - 20.....	1
80	18995G1		PUSH-ON TERMINAL (MALE).....	1
81				
82				
83	20574G4		LENS, AMBER	1
84	00118G5		SCREW, #6 - 18 X 5/8" LG.....	4
85	74056G01		TURN SIGNAL JUMPER, RED/BLACK (PASSENGER SIDE)	1
86	74056G02		TURN SIGNAL JUMPER, GREEN/BLACK (DRIVER SIDE).....	1
87	32739G2		TAILLIGHT ASSEMBLY (COMPLETE)	2
88				
89				
90	606887		TURN SIGNAL KIT (INCLUDES ITEMS 91 - 95).....	1
91	17867G1		TURN SIGNAL (WITH MOUNTING HARDWARE) (INCLUDES ITEM 106)	1
92	21640G1		TURN SIGNAL FLASHER.....	1
93	32307G3		FLEX LOOM, 3/8 X 8" LG	1

When ordering parts, please specify the model and serial number of the product.

* Indicates a component that is not available as an individual part.

*** Indicates consult Customer Service Department for additional information.

ITEM	PART NO.	1 2 3 4 5	DESCRIPTION	QTY.
94	17618G1		WIRE TIE.....	2
95	20965G3		STEERING COLUMN COVER.....	1
96				
97				
98	606045		WIRE HARNESS (ACCESSORY)	1
99	18602G1		IGNITION SWITCH (WITH LIGHTS, INDIVIDUALLY KEYED).....	1
100	00568G6		LOCK WASHER, 3/4"	1
101	17137G1		FACE NUT, 3/4 - 20.....	1
102	17063G1		IGNITION KEY	1
103	605830		WIRE HARNESS (KEY SWITCH).....	1
104				
105				
106	73030G04		PLATE (FUEL GAUGE AND OIL LIGHT)	1
107	71131G01		LABEL (OIL LIGHT AND FUEL GAUGE WITH HEADLIGHTS)	1
108	21553G1		FUEL GAUGE	1
109	23474G1		INDICATOR LIGHT	1
110	74311G01		HARNESS (OIL LIGHT/FUEL GAUGE).....	1
111	25978G122		18 GA WIRE (RED 6")	1
112				
113				
114	33623G02		DRIVE RIVET, 3/16" X 3/8" LG	2
115	74693G01		CONSOLE INSERT ASSEMBLY (INCLUDES ITEMS 116 - 119).....	1
116	73522G03		CONSOLE INSERT PLATE.....	1
117				
118	20271G10		HOLE PLUG	1
119				
120	33623G02		DRIVE RIVET, 3/16" X 3/8" LG	3
121				
122				
123				
124	607285		HOUR METER KIT (INCLUDES ITEMS 125 - 127).....	1

ELECTRICAL

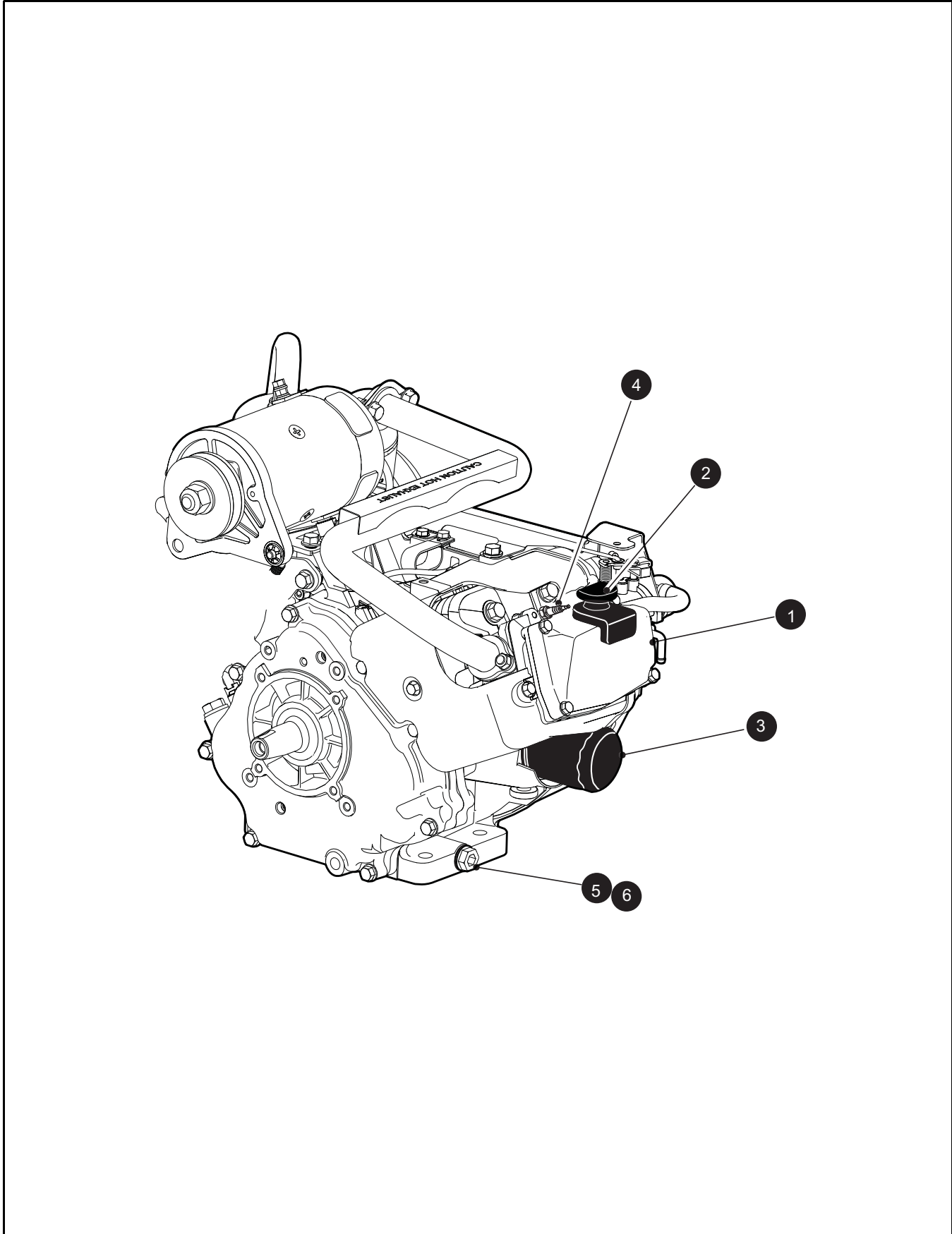
When ordering parts, please specify the model and serial number of the product.

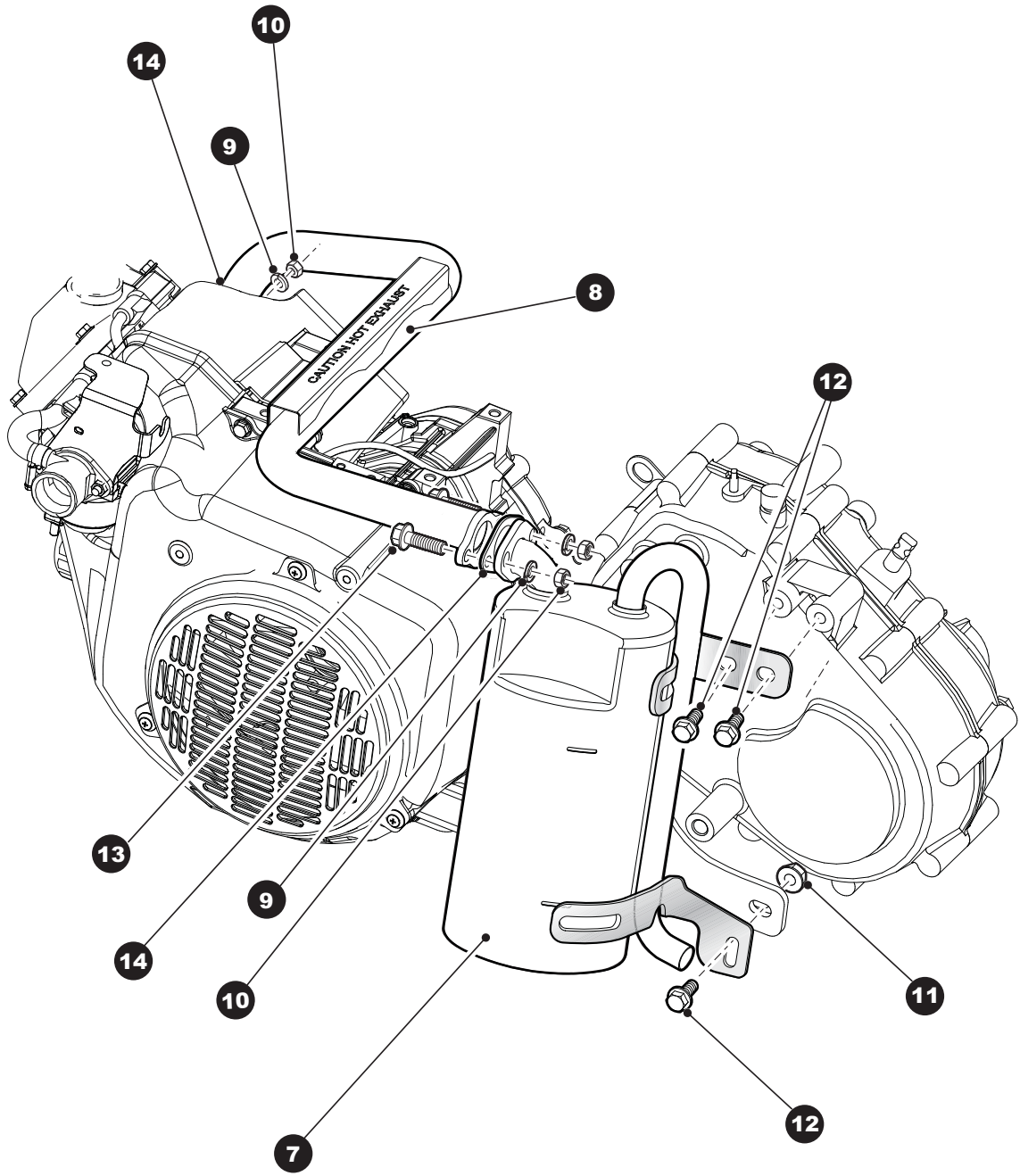
* Indicates a component that is not available as an individual part.

*** Indicates consult Customer Service Department for additional information.

ITEM	PART NO.	1	2	3	4	5	DESCRIPTION	QTY.
125	603720						HOUR METER.....	1
126	603721						HOUR METER BRACKET.....	1
127	606254						WIRE HARNESS (HOUR METER).....	1

ENGINE AND MUFFLER





ENGINE AND MUFFLER

Where applicable, THE USE OF NON UL PARTS WILL VOID ANY UL LISTING.

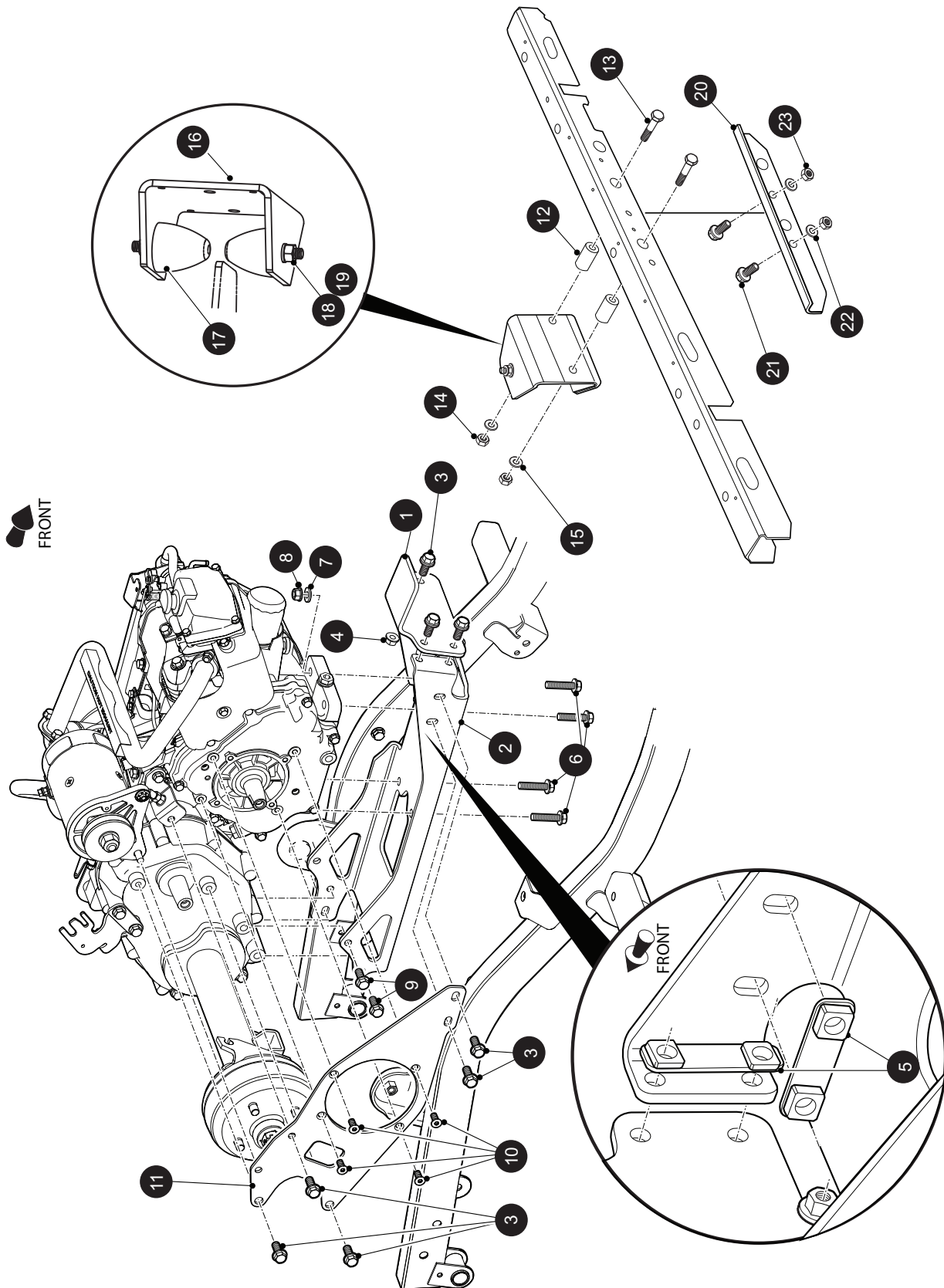
When ordering parts, please specify the model and serial number of the product.

* Indicates a component that is not available as an individual part.

G** Indicates consult Customer Service Department for additional information.

ITEM	PART NO.	1 2 3 4 5	DESCRIPTION	QTY.
1	607154		ENGINE, GAS, 13HP, NON-GOLF.....	1
2	606391		DIP STICK	1
3	607454		OIL FILTER	1
4	607462		SPARK PLUG (BPR2ES).....	1
5	603557		OIL DRAIN PLUG	1
6	603562		'O' RING, 16MM	1
7	612266		MUFFLER	1
8	606982		EXHAUST PIPE	1
9	606272		WASHER, 8MM.....	4
10	606267		NUT, M8 X 1.25	4
11	606279		NUT, M10 - 1.25	1
12	606256		BOLT, M10 - 1.25 X 25	3
13	602330		BOLT, M8 - 1.25 X 30	2
14	603599		EXHAUST GASKET	2

ENGINE MOUNTING



ENGINE MOUNTING

When ordering parts, please specify the model and serial number of the product.

* Indicates a component that is not available as an individual part.

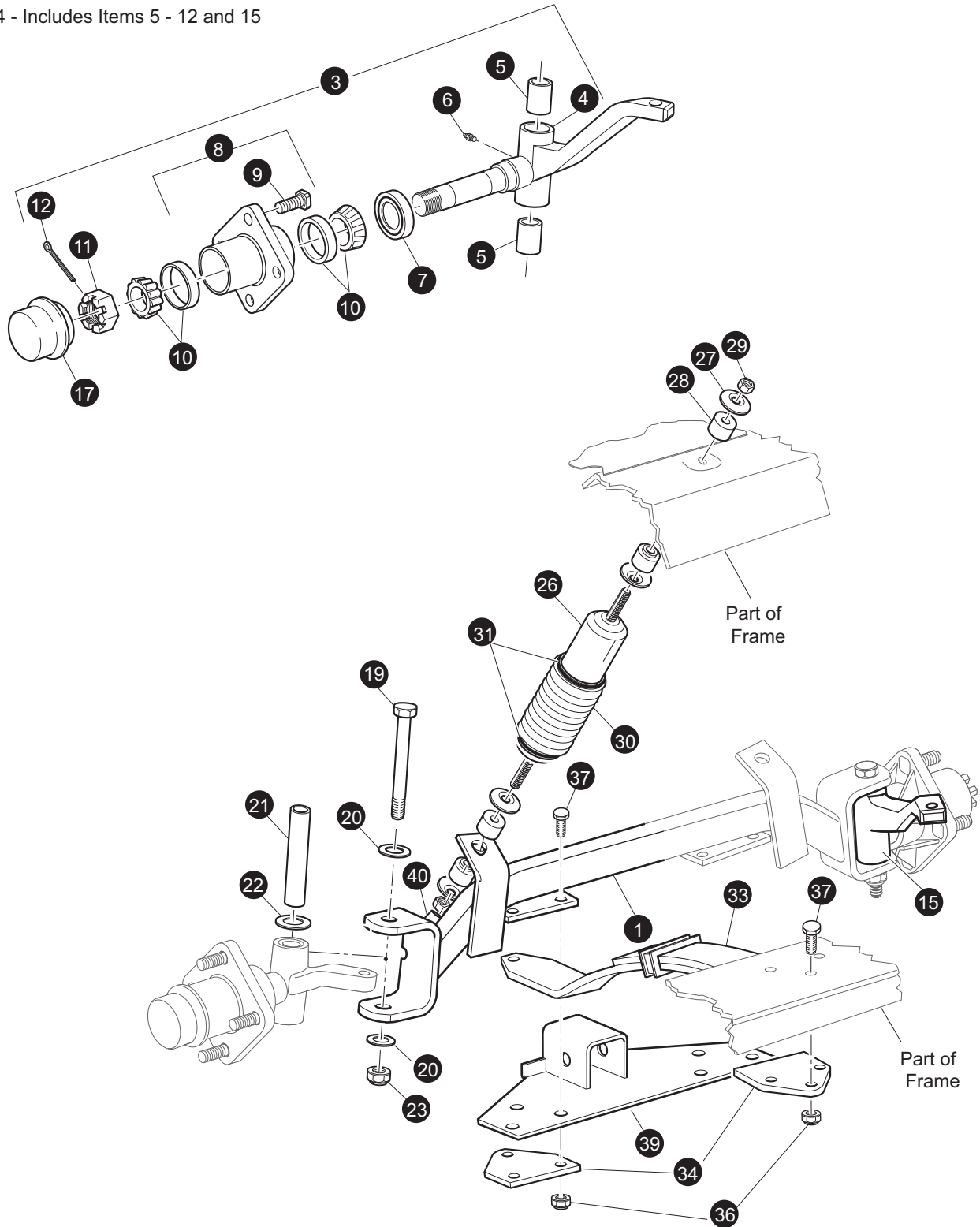
*** Indicates consult Customer Service Department for additional information.

ITEM	PART NO.	1 2 3 4 5	DESCRIPTION	QTY.
1	606007		FRONT ENGINE MOUNT.....	1
2	603101		ENGINE PAN MOUNT.....	1
3	606256		BOLT, M10 - 1.25 X 25.....	8
4	606279		NUT, M10 - 1.25.....	1
5	606096		NUT PLATE.....	2
6	606259		BOLT, M10 - 1.25 X 45.....	4
7	603823		FLAT WASHER, M10 X 22 - 2.5.....	4
8	606279		NUT, M10 - 1.25.....	4
9	608020		BOLT, M10 - 1.25 X 34.....	4
10	606246		FLAT HEAD SCREW, T40.....	4
11	602146		DIFFERENTIAL PLATE.....	1
12	72016G01		TUBE SPACER.....	2
13	00428G6		HEX HEAD 3/8 - 16, UNC X 2.75.....	2
14	11098G5		PLASTIC INSERT LOCK NUT.....	2
15	00643G1		FLAT WASHER.....	2
16	605995		TS2 FRONT MOUNT BRACKET.....	1
17	605757		RUBBER BUMPER.....	2
18	00974G01		HEX - NUT.....	2
19	00968G01		LOCK WASHER.....	2
20	70269G02		CROSSMEMBER BRACE.....	1
21	00438G7		SCREW, HEX HEAD 5/16 - 18 UNC.....	2
22	01110G3		FLAT WASHER.....	2
23	01109G01		PLASTIC INSERT LOCK NUT.....	2

FRONT SUSPENSION

3 - Includes Items 4 - 12

14 - Includes Items 5 - 12 and 15



FRONT SUSPENSION

When ordering parts, please specify the model and serial number of the product.

* Indicates a component that is not available as an individual part.

*** Indicates consult Customer Service Department for additional information.

ITEM	PART NO.	1 2 3 4 5	DESCRIPTION	QTY.
1	70515-G01		FRONT AXLE.....	1
2				
3	70535-G03		SPINDLE ASSEMBLY (DRIVER SIDE) (INCLUDES ITEMS 4 - 12)	1
4	*		SPINDLE (DRIVER SIDE).....	1
5	16623-G1		BEARING	2
6	10389-G3		GREASE FITTING, STRAIGHT	1
7	25146-G1		GREASE SEAL	1
8	35886-G01		WHEEL HUB ASSEMBLY WITH RACES (INCLUDES ITEMS 9).....	1
9	19862-G1		LUG BOLT, 1/2 - 20 X 1 3/16" LG	4
10	50892-G1		BEARING AND RACE ASSEMBLY (COMPLETE).....	2
11	12093-G1		SLOTTED NUT, 1 - 14.....	1
12	00798-G8		COTTER PIN, 5/32" X 1 3/4" LG	1
13				
14	70534-G03		SPINDLE ASSEMBLY (PASSENGER SIDE) (INCL ITEMS 5 - 12, 15)	1
15	*		SPINDLE (PASSENGER SIDE)	1
16				
17	12091-G2		SPINDLE CAP	2
18				
19	01040-G01		BOLT, 1/2 - 13 X 5" LG.....	2
20	00571-G5		WASHER, 1/2"	4
21	70328-G01		KING PIN TUBE.....	2
22	16982-G1		THRUST WASHER, 7/8"	2
23	14390-G6		LOCK NUT, 1/2 - 13	2
24				
25				
26	70630-G01		SHOCK ABSORBER	2
27	10435-G1		SHOCK ABSORBER WASHER.....	8
28	10194-G1		RUBBER BUSHING	8
29	00532-G6		NUT, 3/8 - 24	4
30	70509-G01		SHOCK ABSORBER BOOT	2
31	31539-G1		WIRE TIE	4

FRONT SUSPENSION

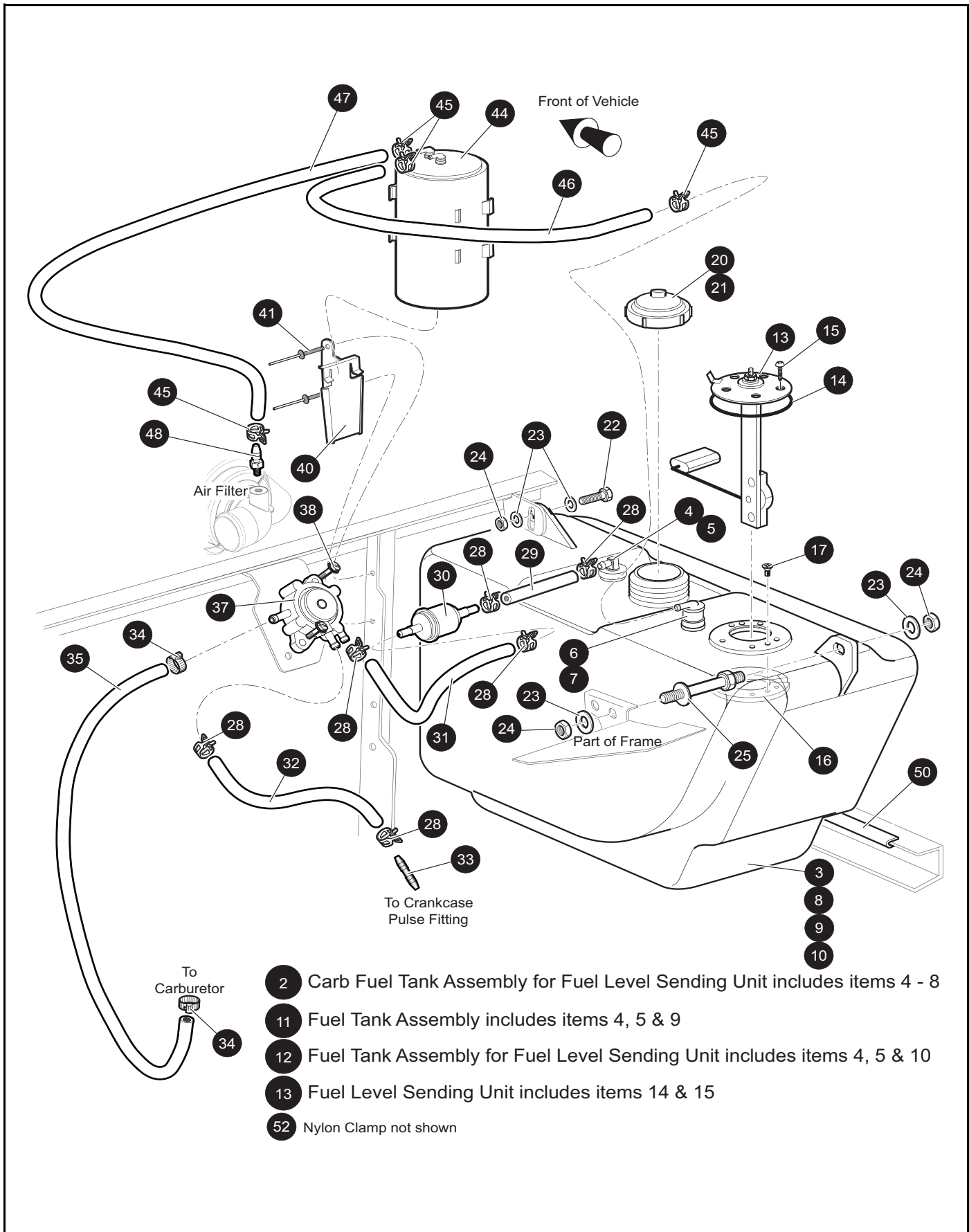
When ordering parts, please specify the model and serial number of the product.

* Indicates a component that is not available as an individual part.

*** Indicates consult Customer Service Department for additional information.

ITEM	PART NO.	1 2 3 4 5	DESCRIPTION	QTY.
32				
33	70422-G01		LEAF SPRING (HEAVY DUTY).....	2
34	70163-G03		SPRING PLATE.....	4
35				
36	00734-G1		LOCK NUT, 7/16 - 14.....	12
37	00463-G11		BOLT, 7/16 - 14 X 1 3/4" LG	12
38				
39	74255-G01		WINCH RECEIVER.....	1
40	10044-G01		VINYL CAP.....	2

FUEL SYSTEM



FUEL SYSTEM

When ordering parts, please specify the model and serial number of the product.

* Indicates a component that is not available as an individual part.

*** Indicates consult Customer Service Department for additional information.

ITEM	PART NO.	1 2 3 4 5	DESCRIPTION	QTY.
1				
2	620182		CARB FUEL TANK ASSEMBLY (use with sending unit) (inc items 4 - 8).....	1
3	620179		CARB STANDARD FUEL TANK.....	1
4	70988G01		SIPHON TUBE GROMMET	1
5	18287G3		SIPHON TUBE ASSEMBLY	1
6	606068		ROLLOVER VALVE GROMMET	1
7	606067		ROLLOVER VALVE	1
8	607479		CARB STANDARD FUEL TANK FOR USE WITH SENDING UNIT.....	1
9	605701		STANDARD FUEL TANK.....	1
10	605523		STANDARD FUEL TANK FOR USE WITH SENDING UNIT.....	1
11	605521		FUEL TANK ASSEMBLY (includes items 4, 5 & 9).....	1
12	605704		FUEL TANK ASSEMBLY (use with sending unit) (inc items 4, 5 & 10)	1
13	20048G2		FUEL LEVEL SENDING UNIT (includes items 14 & 15)	1
14	*		GASKET	1
15	*		STAINLESS STEEL HEX HEAD SCREW WITH SEALANT, #10 - 32 X 1/2	5
16	72229G01		FUEL TANK ADAPTER.....	1
17	72230G01		FLAT HEAD PHILLIPS SCREW, #6 - 32 X .50	2
18				
19	72282G01		FUEL FILL CAP	1
20	606211		CARB FUEL FILL CAP	1
21				
22	00438G8		HEX HEAD BOLT, 5/16 - 18 X 1	1
23	00559G8		FLAT WASHER, 5/16	4
24	11098G6		LOCK NUT, 5/16 - 18	3
25	70483G01		SPACER BOLT, 5/16 - 18.....	1
26				
27				
28	18292G1		HOSE CLAMP, .50 DIAMETER	6
29	608014		FUEL SYSTEM HOSE, .25 I.D. X .50 O.D. X 3.25 LONG	1
30	72084G01		FUEL LINE FILTER.....	1
31	608014		FUEL SYSTEM HOSE, .25 I.D. X .50 O.D. X 8.00 LONG	1

FUEL SYSTEM

When ordering parts, please specify the model and serial number of the product.

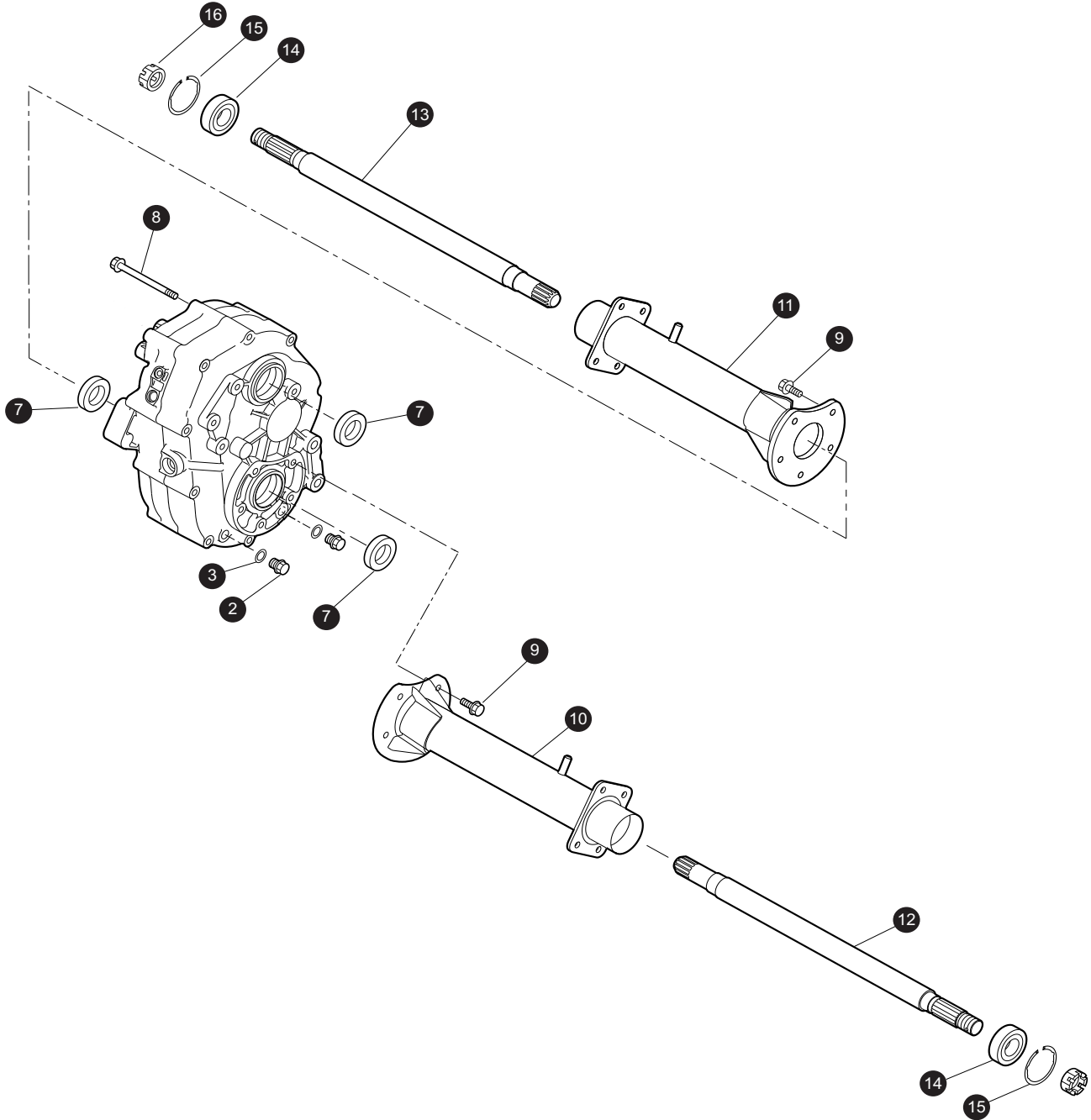
* Indicates a component that is not available as an individual part.

*** Indicates consult Customer Service Department for additional information.

ITEM	PART NO.	1 2 3 4 5	DESCRIPTION	QTY.
32	27183G01		LOW PRESSURE PULSE LINE, .25 I.D. X .50 O.D. X 9.00 LONG.....	1
33	607010		PULSE LINE CONNECTOR, .156 I.D.	1
34	11391G4		HOSE CLAMP, .25 - .63 DIA	2
35	608014		CARB FUEL SYSTEM HOSE, .25 I.D. X .50 O.D. X 26.00 LONG.....	1
36				
37	602061		FUEL PUMP	1
38	00114G6		HEX WASHER HEAD SLOTTED TAPPING SCREW, 1/4 - 14 X .75.....	2
39				
40	606310		CARBON CANNISTER MOUNTING BRACKET (CARB ONLY).....	1
41	10570G11		RIVET, 3/16 DIA X .70 (CARB ONLY)	2
42				
43				
44	606071		CARBON CANNISTER (CARB ONLY6)	1
45	606963		HOSE CLAMP, .41 DIA (CARB ONLY).....	4
46	28839G01		LOW PRESSURE FUEL HOSE, 3/16 I.D. X 3/8 O.D. X 17.00 LONG (CARB)	1
47	28839G01		LOW PRESSURE FUEL HOSE, 3/16 I.D. X 3/8 O.D. X 34.00 LONG (CARB)	1
48	606404		HOSE TO AIR FILTER FITTING, .156 I.D. WITH 1/8 - 27 NPT (CARB ONLY)	1
49				
50	22280G1		BLACK TRIM, 6.25 LONG.....	1
51				
52	17618G1		NYLON CLAMP.....	2

REAR AXLE

1 - Includes Items 2 - 16



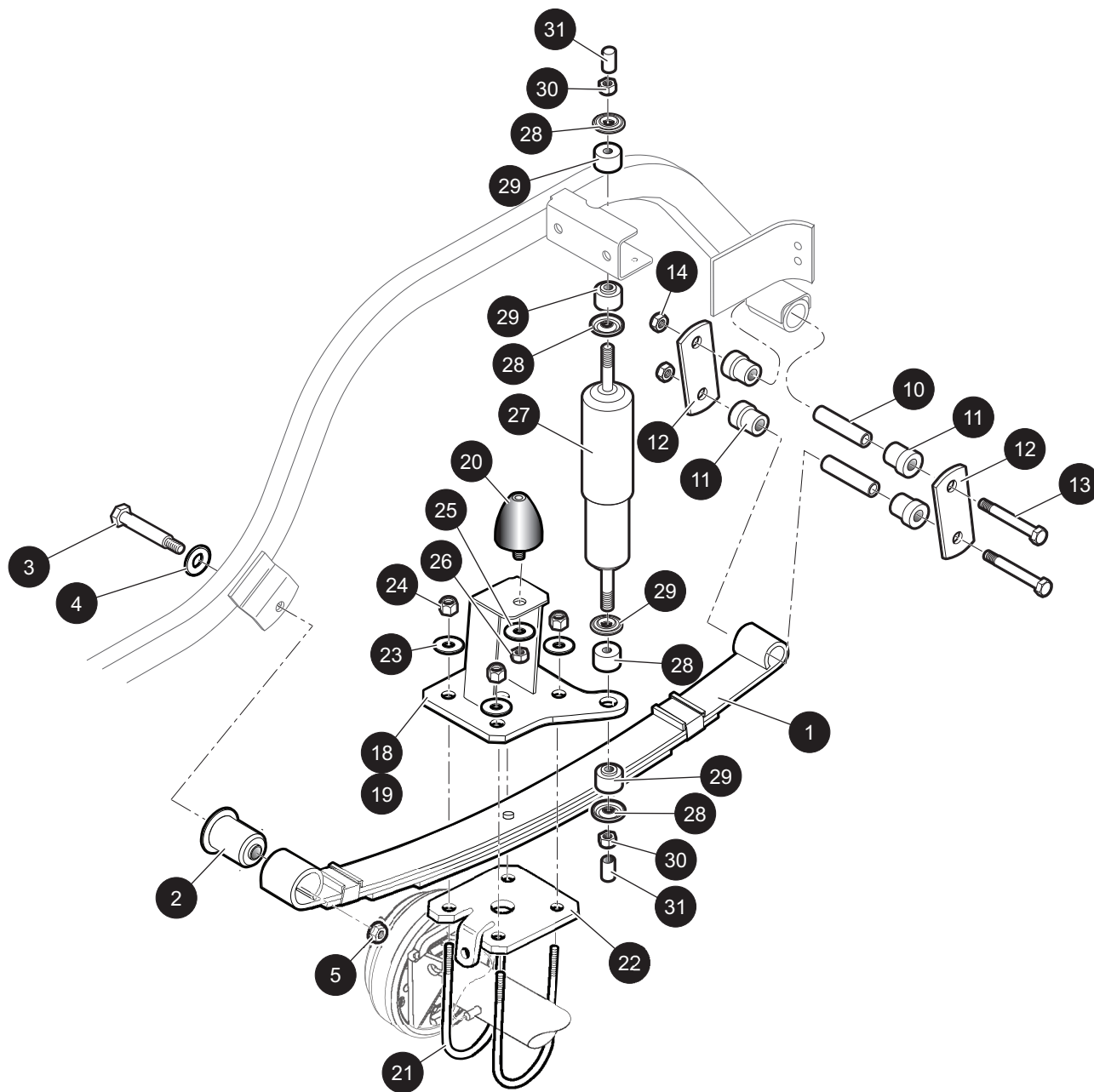
When ordering parts, please specify the model and serial number of the product.

* Indicates a component that is not available as an individual part.

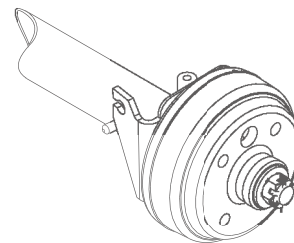
*** Indicates consult Customer Service Department for additional information.

ITEM	PART NO.	1 2 3 4 5	DESCRIPTION	QTY.
1	605891		REAR AXLE	1
2	26770-G01		OIL DRAIN PLUG	2
3	26771-G01		GASKET	2
4				
5				
6				
7	72259-G01		OIL SEAL 28 X 47 X 9	3
8	26823-G01		FLANGE BOLT M8 X 1.25 X 100	10
9	72260-G01		FLANGE BOLT M10 X 1.5 X 23	10
10	607940		AXLE TUBE (PASSENGER SIDE)	1
11	607939		AXLE TUBE (DRIVER SIDE)	1
12	607988		AXLE SHAFT (PASSENGER SIDE)	1
13	607987		AXLE SHAFT (DRIVER SIDE)	1
14	26811-G01		BALL BEARING	2
15	26814-G01		SNAP RING	2
16	606403		SLOTTED NUT	2

REAR SUSPENSION



Front of the Vehicle



REAR SUSPENSION

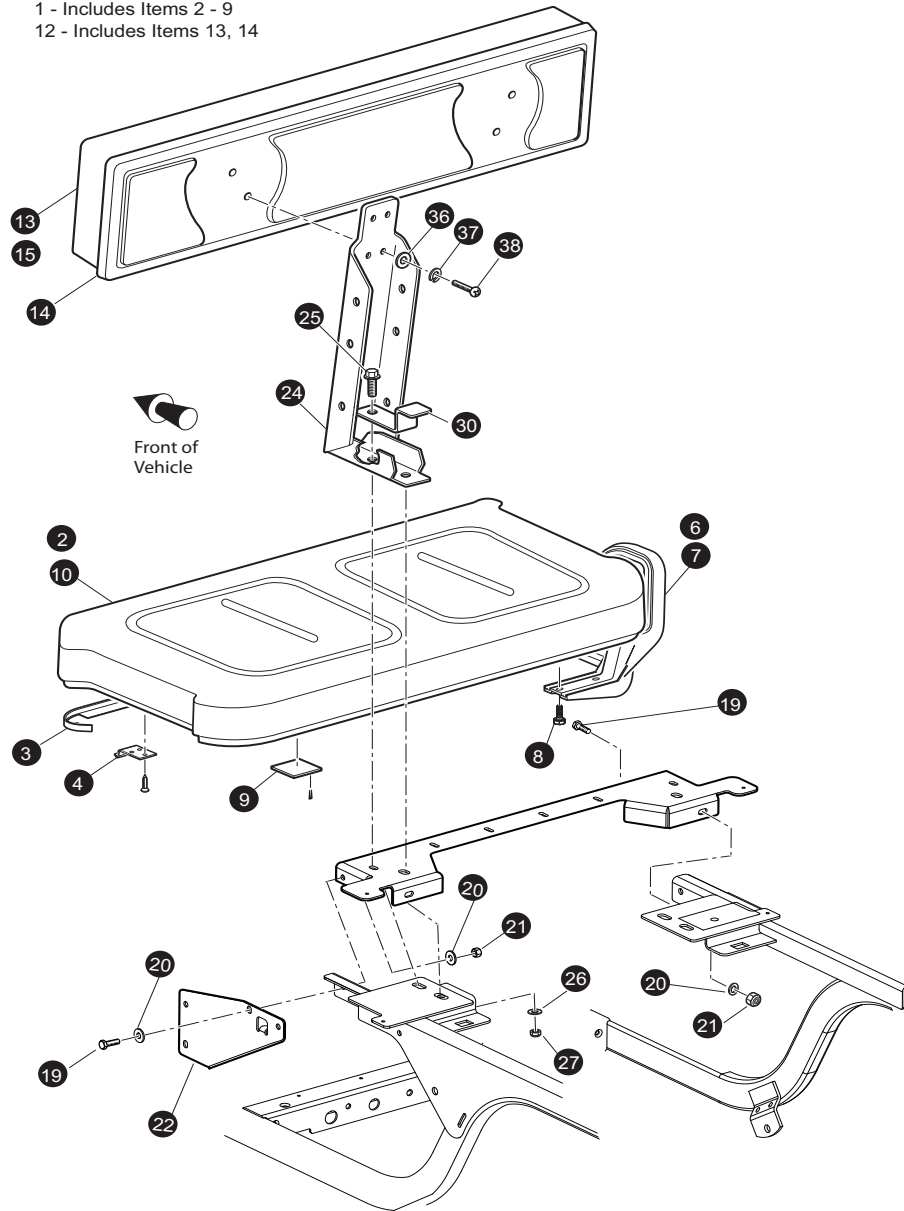
When ordering parts, please specify the model and serial number of the product.

* Indicates a component that is not available as an individual part.

*** Indicates consult Customer Service Department for additional information.

ITEM	PART NO.	1 2 3 4 5	DESCRIPTION	QTY.
1	605722		HEAVY DUTY LEAF SPRING.....	2
2	605445		LEAF SPRING BUSHING, FRONT	2
3	00665G9		HEX HEAD BOLT, SS 3/8 - 16 X 3.5 LG.....	2
4	00643G1		FLAT WASHER, .411 I.D. X 1.00 O.D. X .06	2
5	12262G1		FLANGED LOCK NUT, 3/8 - 16	2
6				
7				
8				
9				
10	70289G02		SPLIT STEEL SPACER	4
11	70291G01		FLANGED URETHANE BUSHING	8
12	70290G02		SHACKLE PLATE	4
13	00665G9		HEX HEAD BOLT, SS 3/8 - 16 X 3.5 LG.....	4
14	11098G5		LOCK NUT, 3/8 - 16	4
15				
16				
17				
18	606090		SPRING PLATE, DRIVER SIDE	1
19	606091		SPRING PLATE, PASSENGER SIDE.....	1
20	70492G01		RUBBER BUMPER.....	2
21	32195G3		U-BOLT	4
22	605955		REAR SUSPENSION PLATE	2
23	00643G1		FLAT WASHER, .411 I.D. X 1.00 O.D. X .06	8
24	11098G5		LOCK NUT, 3/8 - 16	8
25	00968G01		LOCK WASHER, M10.....	2
26	00974G01		HEX NUT, M10.....	2
27	70248G01		SHOCK ABSORBER	2
28	10435G1		SHOCK ABSORBER WASHER.....	8
29	10194G1		RUBBER SHOCK BUSHING	8
30	00532G6		HEX NUT, 3/8 - 24.....	4
31	10044G01		VINYL CAP	4

1 - Includes Items 2 - 9
12 - Includes Items 13, 14



When ordering parts, please specify the model and serial number of the product.

* Indicates a component that is not available as an individual part.

*** Indicates consult Customer Service Department for additional information.

ITEM	PART NO.	1 2 3 4 5	DESCRIPTION	QTY.
1	71611G**		SEAT BOTTOM ASSEMBLY (INCLUDES ITEMS 2 - 9).....	1
2	71602G**		VINYL SEAT BOTTOM COVER.....	1
3	71012G01		VINYL TRIM (SEAT BOTTOM).....	1
4	71610G01		SEAT HINGE.....	2
5	00720G08		SCREW, #12 - 14 X 1" LG (STAINLESS STEEL).....	6
6	71701G01		HIP RESTRAINT (PASSENGER SIDE).....	1
7	71702G01		HIP RESTRAINT (DRIVER SIDE).....	1
8	71204G01		BOLT, 1/4 - 20 X 7/8" LG.....	8
9	17074G1		RUBBER PAD.....	2
10	604912G**		TWO TONE VINYL SEAT BOTTOM.....	1
11				
12	71274G**		SEAT BACK ASSEMBLY (INCLUDES ITEMS 13, 14).....	1
13	18144G**		VINYL SEAT BACK COVER.....	1
14	74889G01		PLASTIC SEAT BACK COVER (BLACK).....	1
15	604916G**		TWO TONE VINYL SEAT BACK.....	1
16				
17	71446G02		SEAT BACK SUPPORT.....	1
18				
19	00438G8		BOLT, 5/16 - 18 X 1" LG.....	5
20	00571G2		WASHER, 5/16".....	6
21	11098G6		LOCK NUT, 5/16 - 18 (STAINLESS STEEL).....	5
22	605776		BRACKET.....	1
23				
24	75900G02		SEAT BACK SUPPORT BRACKET.....	2
25	01006G01		BOLT, 3/8 - 16 X 1 1/4" LG.....	4
26	00560G1		WASHER, 3/8".....	4
27	11098-G5		LOCK NUT, 3/8 - 16.....	4
28				
29				
30	74947G01		BED BUMPER BRACKET.....	2
31				

SEATING

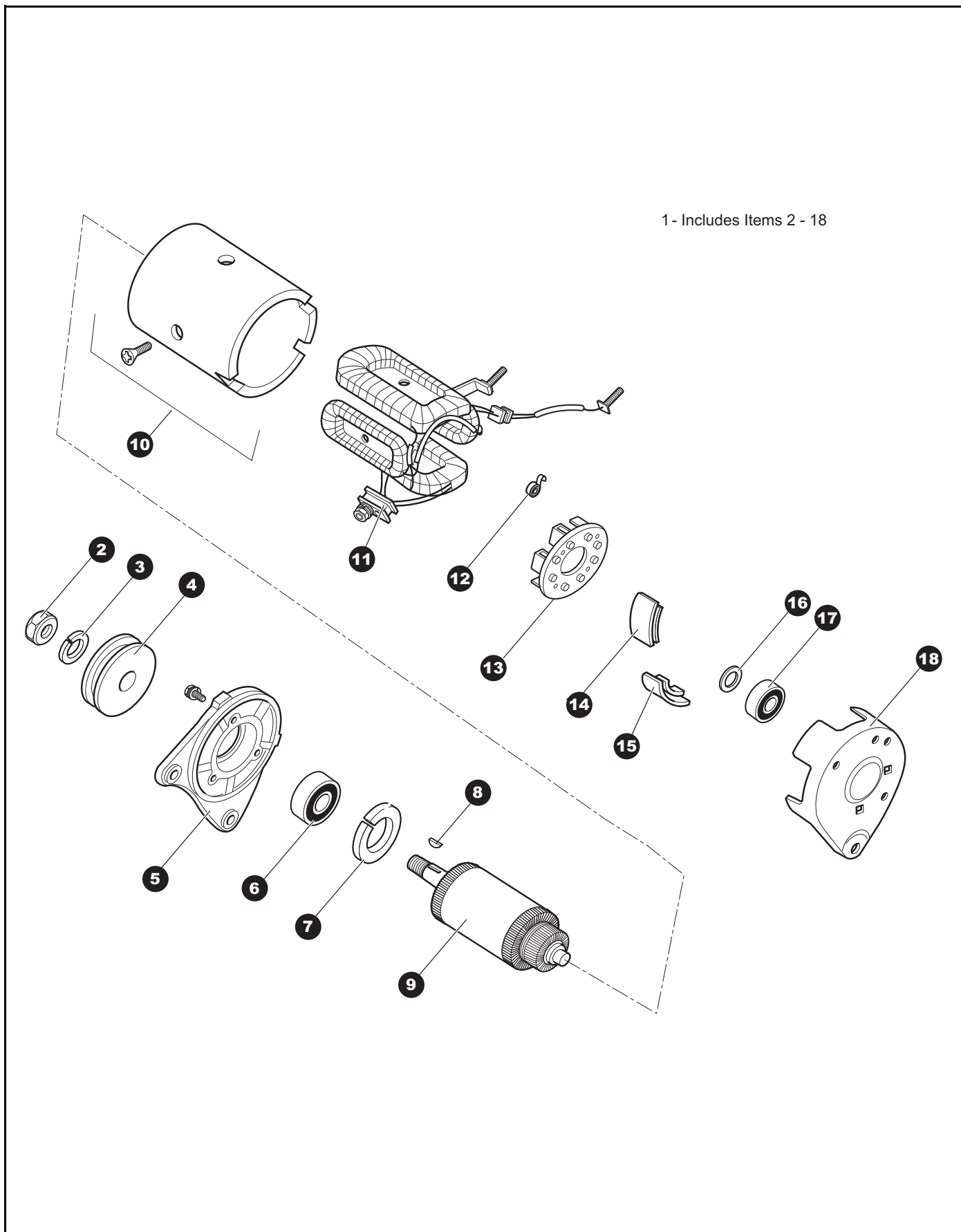
When ordering parts, please specify the model and serial number of the product.

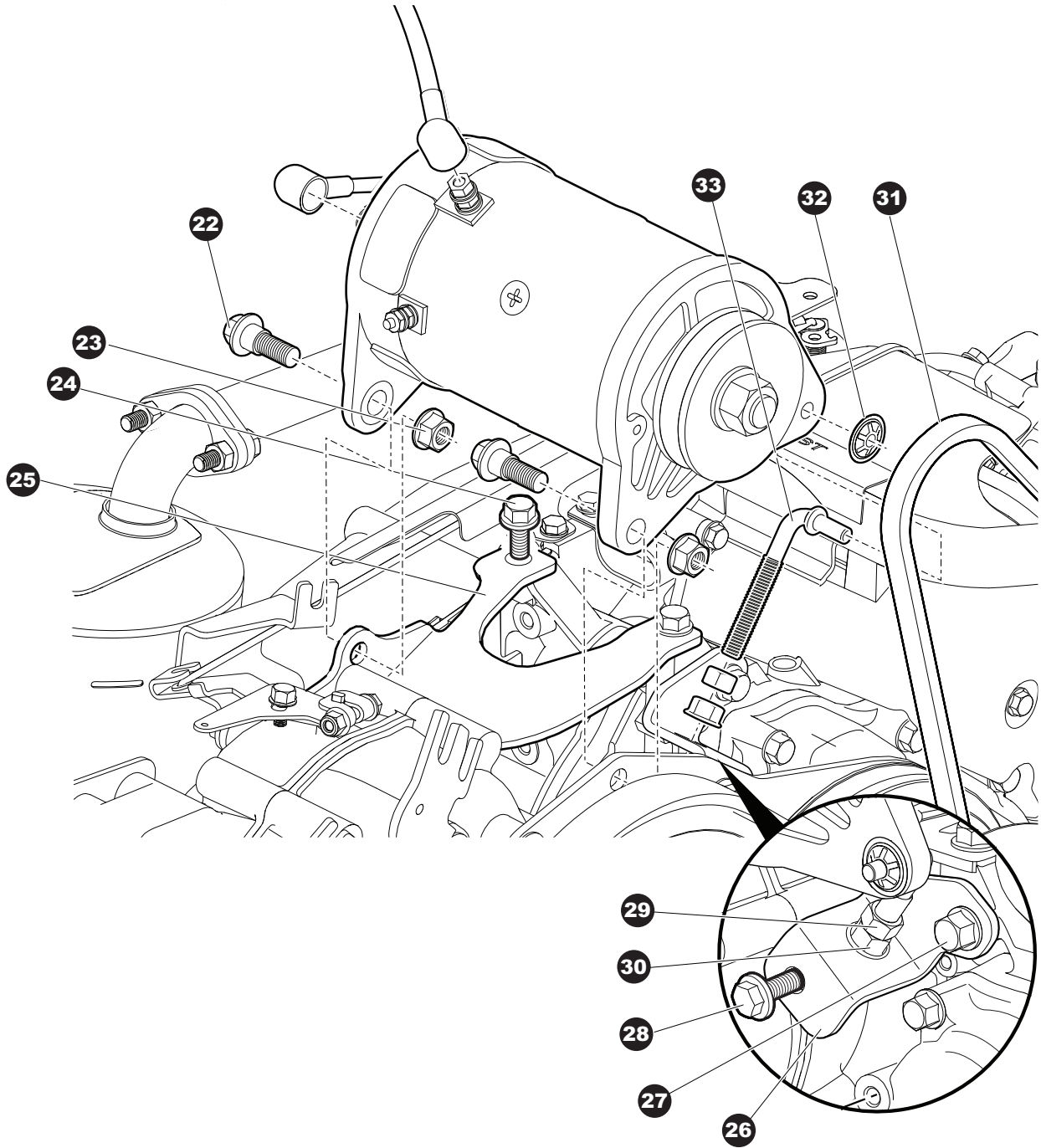
* Indicates a component that is not available as an individual part.

*** Indicates consult Customer Service Department for additional information.

ITEM	PART NO.	1	2	3	4	5	DESCRIPTION	QTY.
32								
33								
34								
35								
36	16705G12						SCREW, 1/4 - 20 X 1" LG (STAINLESS STEEL)	4
37	00664G7						LOCK WASHER, 1/4" (STAINLESS STEEL).....	4
38	01110G01						WASHER, 1/4" (STAINLESS STEEL)	4

STARTER / GENERATOR





STARTER / GENERATOR

When ordering parts, please specify the model and serial number of the product.

* Indicates a component that is not available as an individual part.

*** Indicates consult Customer Service Department for additional information.

ITEM	PART NO.	1 2 3 4 5	DESCRIPTION	QTY.
1	612028		STARTER / GENERATOR (INCLUDES 2 - 18).....	1
2	612029		NUT.....	1
3	612030		LOCKWASHER.....	1
4	612031		PULLEY	1
5	612032		FRONT COVER.....	1
6	612033		BEARING	1
7	612034		RETAINING RING.....	1
8	612035		KEY	1
9	612036		ARMATURE ASSEMBLY	1
10	612037		FRAME & FIELD ASSEMBLY	1
11	612038		BRUSH LEAD & TERMINAL SERVICE PKG	1
12	612039		BRUSH SPRING.....	1
13	612040		BRUSH BOX ASSEMBLY.....	1
14	612041		BRUSH 1 COVER.....	2
15	612042		BRUSH 2 COVER.....	2
16	612043		WAVY WASHER	1
17	612044		BEARING.....	1
18	612045		REAR COVER	1
19				
20				
21				
22	606235		BOLT, HXFL SHLDR - M10 - 1.25 X 20.....	2
23	606279		NUT, M10 - 1.25	2
24	606261		BOLT, M8 - 1.25 X 20	3
25	602141		STARTER / GENERATOR BRACKET	1
26	602145		TENSIONER BRACKET.....	1
27	606261		BOLT, M8 - 1.25 X 20	1
28	606256		BOLT, M10 - 1.25 X 25	1
29	606255		NUT, M10 - 1.25	1
30	606274		NUT, M10 - 1.25	1
31	606138		STARTER / GENERATOR BELT	1

STARTER / GENERATOR

When ordering parts, please specify the model and serial number of the product.

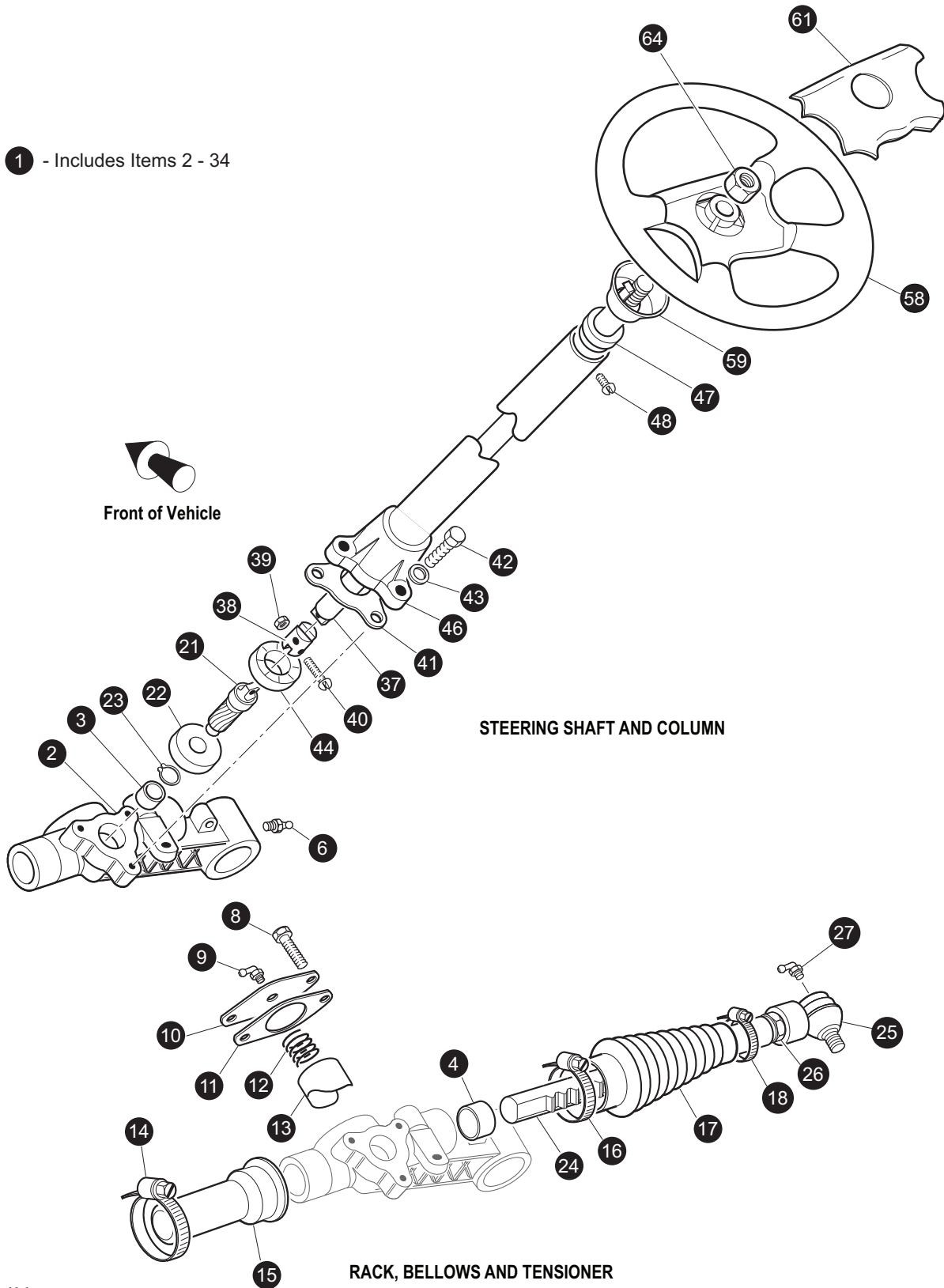
* Indicates a component that is not available as an individual part.

*** Indicates consult Customer Service Department for additional information.

ITEM	PART NO.	1 2 3 4 5	DESCRIPTION	QTY.
32	12064G6		PUSH NUT, 5/16"	1
33	606236		TENSIONER BOLT	1

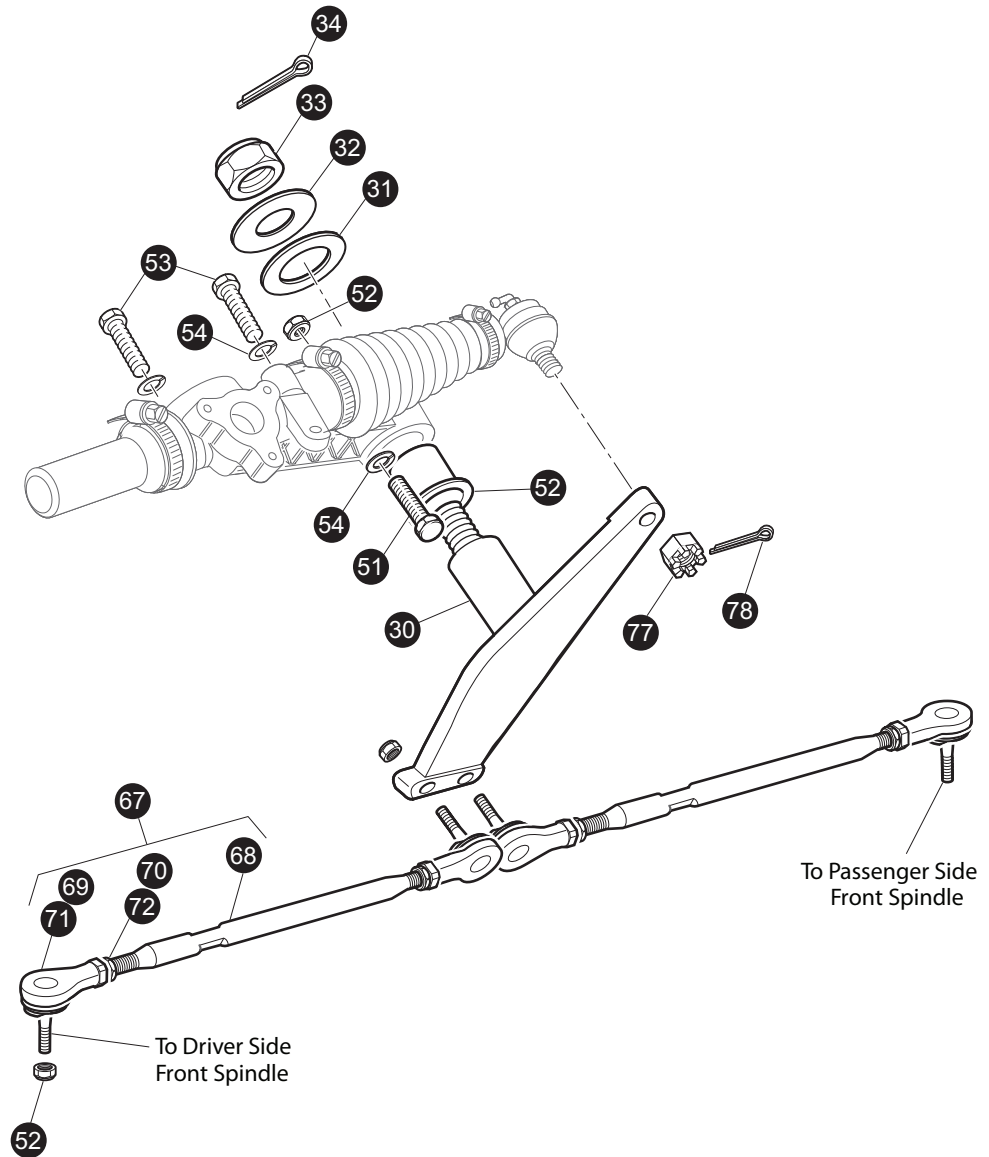
STEERING

1 - Includes Items 2 - 34



Ref Str 10-1

IDLER, TIE RODS AND MOUNTING



Ref Str 10-2

STEERING

When ordering parts, please specify the model and serial number of the product.

* Indicates a component that is not available as an individual part.

*** Indicates consult Customer Service Department for additional information.

ITEM	PART NO.	1 2 3 4 5	DESCRIPTION	QTY.
1	70723-G01		STEERING BOX ASSEMBLY (COMPLETE) (INCLUDES ITEMS 2 - 34).....	1
2				
3	70215-G01		SLEEVE BEARING	1
4	70188-G01		SLEEVE BEARING	1
5	70185-G01		FLANGED BEARING	1
6	10389-G3		GREASE FITTING, STRAIGHT	1
7				
8	00426-G6		BOLT, 3/8 - 16 X 3/4" LG.....	2
9	18456-G1		GREASE FITTING, 90°	1
10	70177-G01		RACK GUIDE COVER	1
11	70225-G01		GASKET.....	1
12	70178-G01		COMPRESSION SPRING	1
13	70179-G01		RACK GUIDE.....	1
14	11391-G1		HOSE CLAMP, 1 5/16".....	1
15	70041-G01		RACK COVER	1
16	11391-G1		HOSE CLAMP, 1 5/16".....	1
17	70183-G01		BELLOWS.....	1
18	11391-G5		HOSE CLAMP, 13/16".....	1
19				
20				
21	70717-G01		GEAR PINION.....	1
22	15112-G1		BALL BEARING	1
23	70190-G01		EXTERNAL RETAINING RING.....	1
24	70718-G01		STEERING RACK.....	1
25	70192-G01		RACK BALL END.....	1
26	00532-G8		JAM NUT, 7/16 - 20	1
27	18456-G1		GREASE FITTING, 90°	1
28				
29				
30	70184-G01		IDLER.....	1
31	70216-G01		THRUST WASHER, 1 1/2".....	1

When ordering parts, please specify the model and serial number of the product.

* Indicates a component that is not available as an individual part.

*** Indicates consult Customer Service Department for additional information.

ITEM	PART NO.	1 2 3 4 5	DESCRIPTION	QTY.
32	70195-G01		THRUST WASHER, 7/8"	1
33	00734-G6		LOCK NUT, 7/8 - 9.....	1
34	00798-G8		COTTER PIN, 5/32" X 1 3/4" LG	1
35				
36				
37	14322-G6		STEERING SHAFT	1
38	70558-G01		COUPLING	1
39	00550-G1		LOCK NUT, 1/4 - 20	2
40	70227-G01		SCREW, 1/4 - 20 X 7/8" LG	2
41	70223-G01		GASKET.....	1
42	01034-G01		BOLT, 3/8 - 16 X 1 1/4" LG WITH PATCHLOCK	3
43	00878-G1		LOCK WASHER, 3/8"	3
44	70466-G01		RETAINER	1
45				
46	70721-G01		STEERING COLUMN	1
47	28569-G01		STEERING COLUMN BUSHING.....	1
48	01022-G01		SCREW, #6 - 20 X 5/16" LG	1
49				
50				
51	00470-G4		BOLT, 7/16 - 20 X 2 1/2" LG.....	1
52	00734-G3		LOCK NUT, 7/16 - 20	1
53	01033-G01		BOLT, 7/16 - 14 X 1 1/4" LG WITH PATCHLOCK	2
54	00566-G2		LOCK WASHER, 7/16"	3
55				
56				
57				
58	602980		STEERING WHEEL	1
59				
60				
61	71147-G01		COVER	1
62				

STEERING

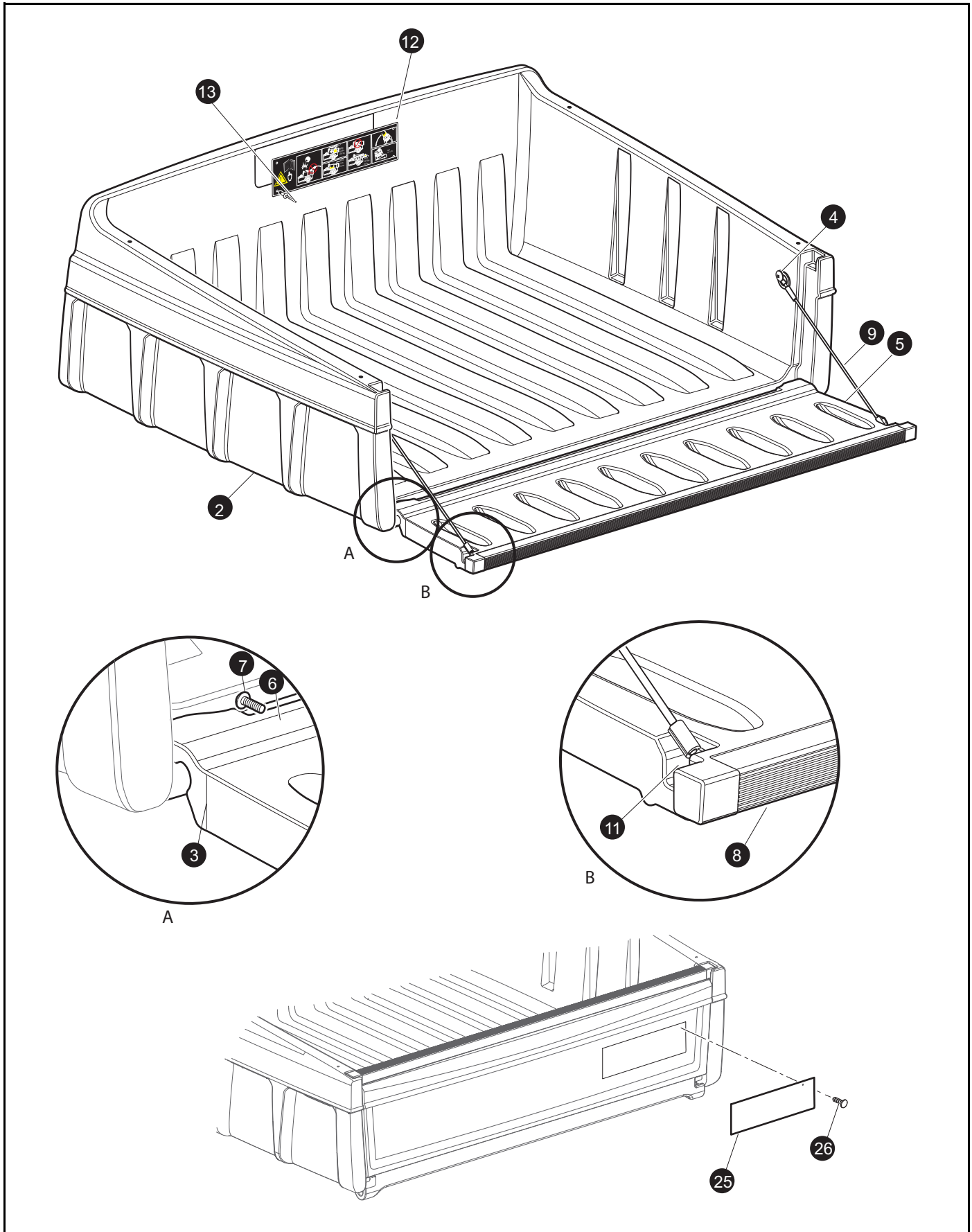
When ordering parts, please specify the model and serial number of the product.

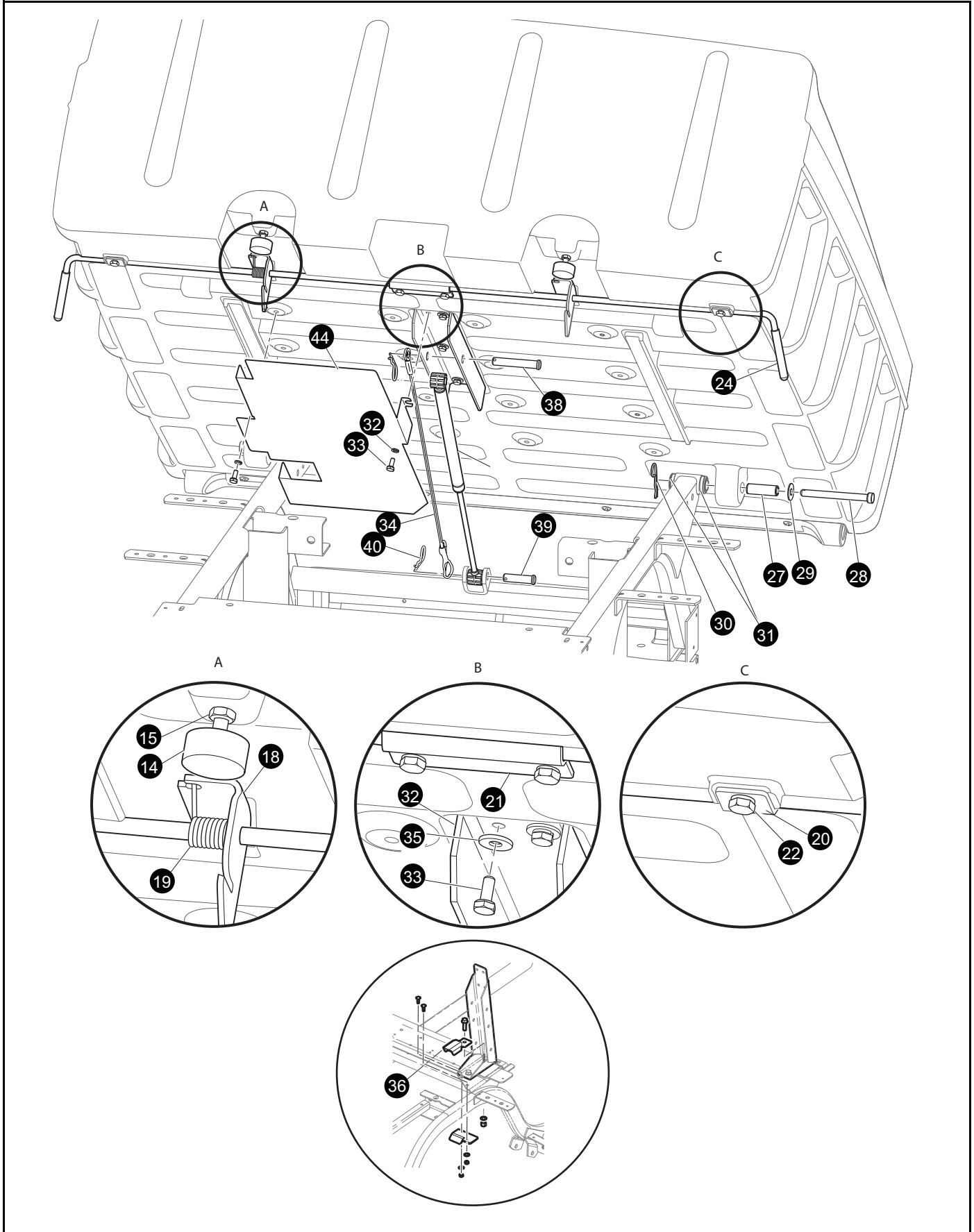
* Indicates a component that is not available as an individual part.

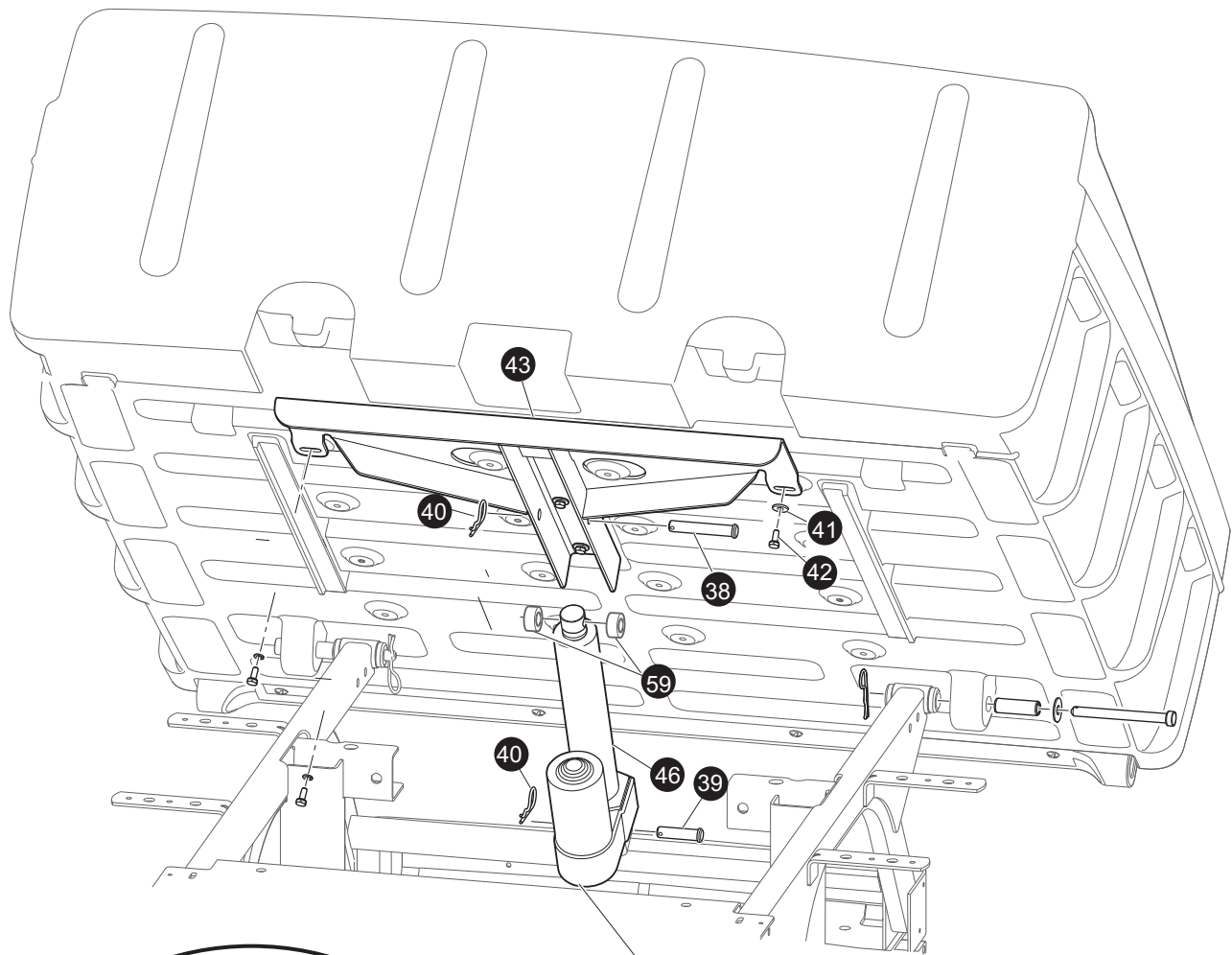
*** Indicates consult Customer Service Department for additional information.

ITEM	PART NO.	1	2	3	4	5	DESCRIPTION	QTY.
63								
64	14390-G2						LOCK NUT, 5/8 - 18.....	1
65								
66								
67	70904-G04						TIE ROD ASSEMBLY (INCLUDES ITEMS 68 - 72).....	2
68	70855-G03						THREADED ROD (10 1/8" LG).....	1
69	70902-G01						TIE ROD END (LEFT HAND THREADS).....	1
70	01069-G01						JAM NUT, M12 X 1.25-05 (LEFT HAND THREADS).....	1
71	70902-G02						TIE ROD END (RIGHT HAND THREADS).....	1
72	01069-G02						JAM NUT, M12 X 1.25-05 (RIGHT HAND THREADS).....	1
73								
74	00734-G1						LOCK NUT, 7/16 - 14.....	4
75								
76								
77	50209-G2						CASTELLATED NUT, 7/16 - 20.....	1
78	10387-G2						COTTER PIN, 3/32" X 1" LG.....	1

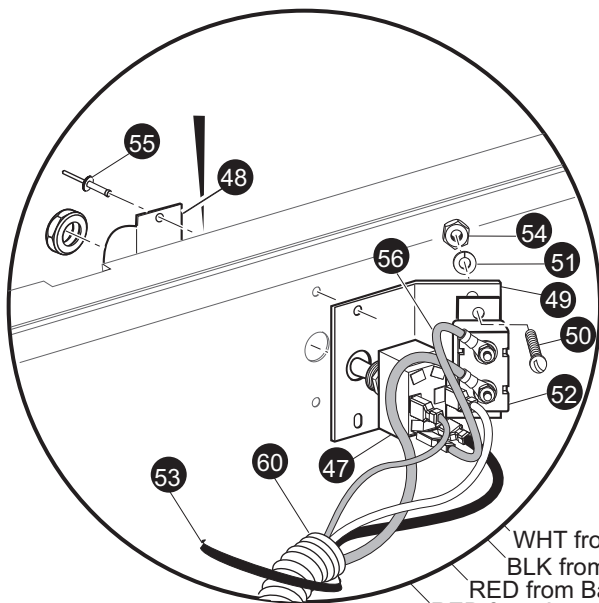
TRUCK BED 400







Actuator may be rotated 90° on some models



WHT from Actuator
 BLK from Battery
 RED from Battery
 RED from Actuator



When ordering parts, please specify the model and serial number of the product.

* Indicates a component that is not available as an individual part.

*** Indicates consult Customer Service Department for additional information.

ITEM	PART NO.	1 2 3 4 5	DESCRIPTION	QTY.
1	73451-G01		BED ASSEMBLY, 40" (INCLUDES ITEMS 2 -11)	1
2	73447-G01		PLASTIC BED, 40"	1
3	73454-G01		PIVOT SHAFT	2
4	73460-G01		SHOULDER BOLT, 1/4 - 20 X 3/4" LG	2
5	73455-G01		TAILGATE CABLE	1
6	73450-G01		BOWED ANGLE	1
7	16705-G2		SCREW, 1/4 - 20 X 5/8" LG (STAINLESS STEEL)	4
8	73449-G01		EXTRUSION CHANNEL	1
9	16818-G5		RATCHET FASTENER	4
10				
11	00415-G2		SCREW, 1/4 - 20 X 5/8" LG	2
12	74821-G01		BED CAPACITY LABEL	1
13	71055-G01		RIVET, 3/16" X 1" LG (ALUMINUM).....	5
14	70113-G01		ADJUSTABLE RUBBER BUMPER.....	2
15	11027-G1		LOCK NUT, 5/16 - 18	2
16				
17				
18	74962-G01		BED LATCH	1
19	71538-G01		LATCH TORSION SPRING	1
20	71099-G02		PLATE, LATCH	2
21	71477-G02		RETAINER BRACKET	1
22	01118-G01		SCREW, 1/4 - 20 X 5/8" LG	4
23				
24	71704-G01		HANDLE GRIP	2
25	600110-G01		LABEL	1
26	16816-G2		RATCHET FASTNER.....	4
27	71570-G01		BUSHING.....	2
28	71571-G01		CLEVIS PIN	2
29	00571-G5		WASHER, 1 1/4 X 7/16	2
30	21683-G1		HAIR CLIP.....	2
31	70291-G01		BUSHING.....	4

TRUCK BED 400

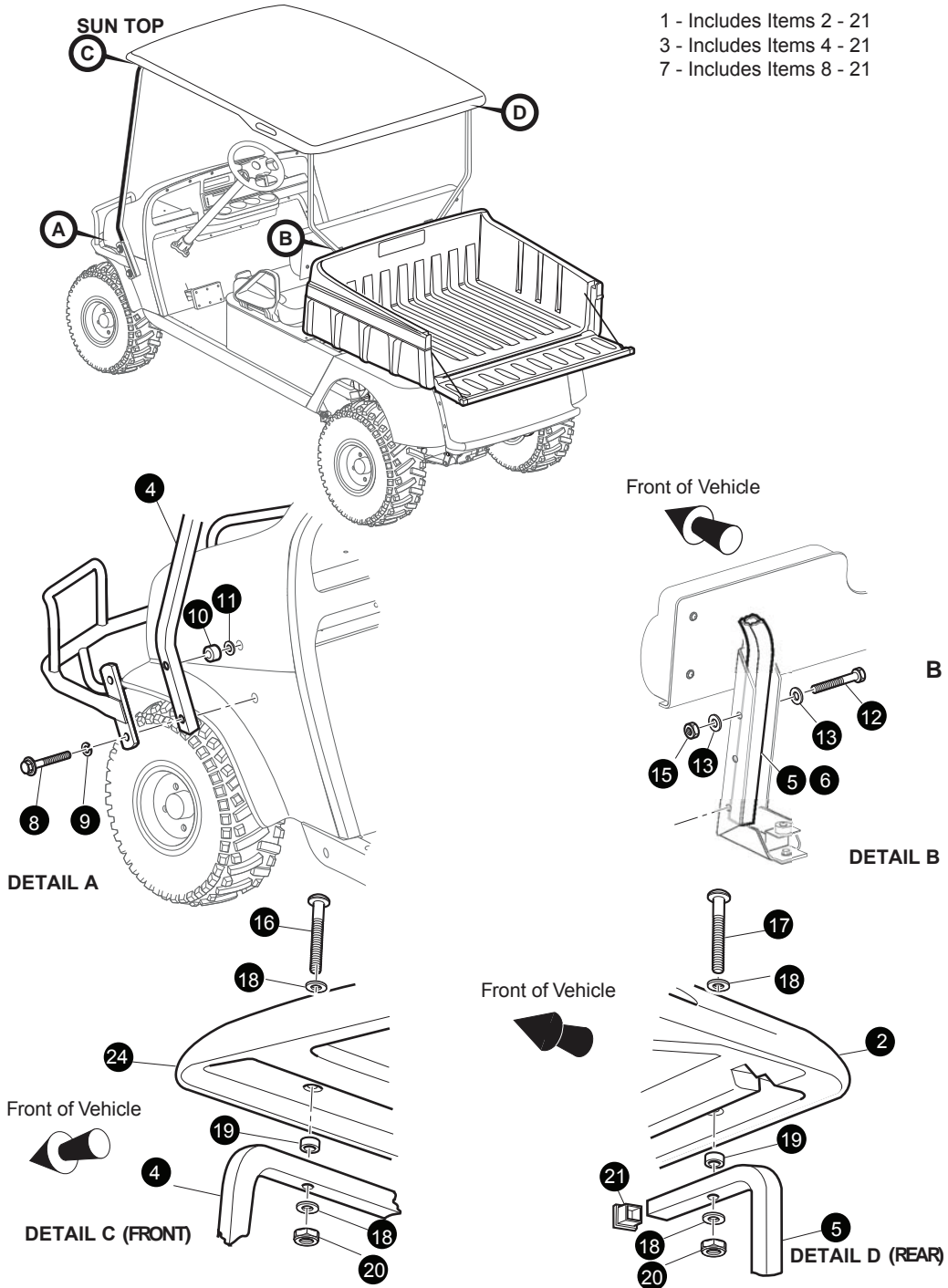
When ordering parts, please specify the model and serial number of the product.

* Indicates a component that is not available as an individual part.

*** Indicates consult Customer Service Department for additional information.

ITEM	PART NO.	1 2 3 4 5	DESCRIPTION	QTY.
32	71569-G02		SPRING CHANNEL.....	1
33	01118-G01		SCREW, 1/4 - 20 X 5/8" LG.....	8
34	602904		BED TETHER CABLE	1
35	00642-G7		WASHER, 1/4".....	8
36	74947-G01		BRACKET, BUMPER.....	2
37	71537-G02		GAS SPRING	2
38	14443-G10		CLEVIS PIN, 1/2" X 2 27/32" LG	1
39	14443-G12		CLEVIS PIN, 1/2" X 1 3/4" LG	1
40	21683-G1		HAIR CLIP	2
41	00642-G7		WASHER, 1/4".....	8
42	01118-G01		SCREW, 1/4 - 20 X 5/8" LG.....	8
43	71547-G02		OUTRIGGER CHANNEL.....	1
44	72339-G02		PLASTIC BED HEAT SHIELD (GASLONE VEHICLES ONLY).....	1
45	74164-G04		ELECTRIC DUMP KIT (INCLUDES ITEMS 37 - 54).....	1
46	27612-G02		ELECTRIC ACTUATOR, 12 VOLT, 1500 LBS	1
47	27680-G01		TOGGLE SWITCH.....	1
48	27447-G01		TOGGLE GUARD	1
49	74165-G02		CIRCUIT BREAKER MOUNTING BRACKET.....	1
50	00150-G4		SCREW, 10 - 24 X 1/2" LG	2
51	00565-G5		LOCK WASHER, #10.....	2
52	21320-G4		CIRCUIT BREAKER 15A 24V.....	1
53	17618-G1		WIRE TIE	8
54	00526-G3		NUT, #10 - 24.....	2
55	10570-G9		RIVET, 5/32 X .55.....	2
56	25976-G14		14 GA WIRE (RED 5")	1
57				
58				
59	27613-G01		SPACER.....	2
60	74613-G01		HARNESS.....	1

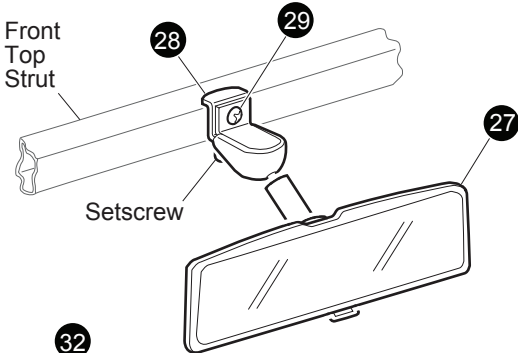
SUN TOP CAP (CAMO)



Service Parts Manual

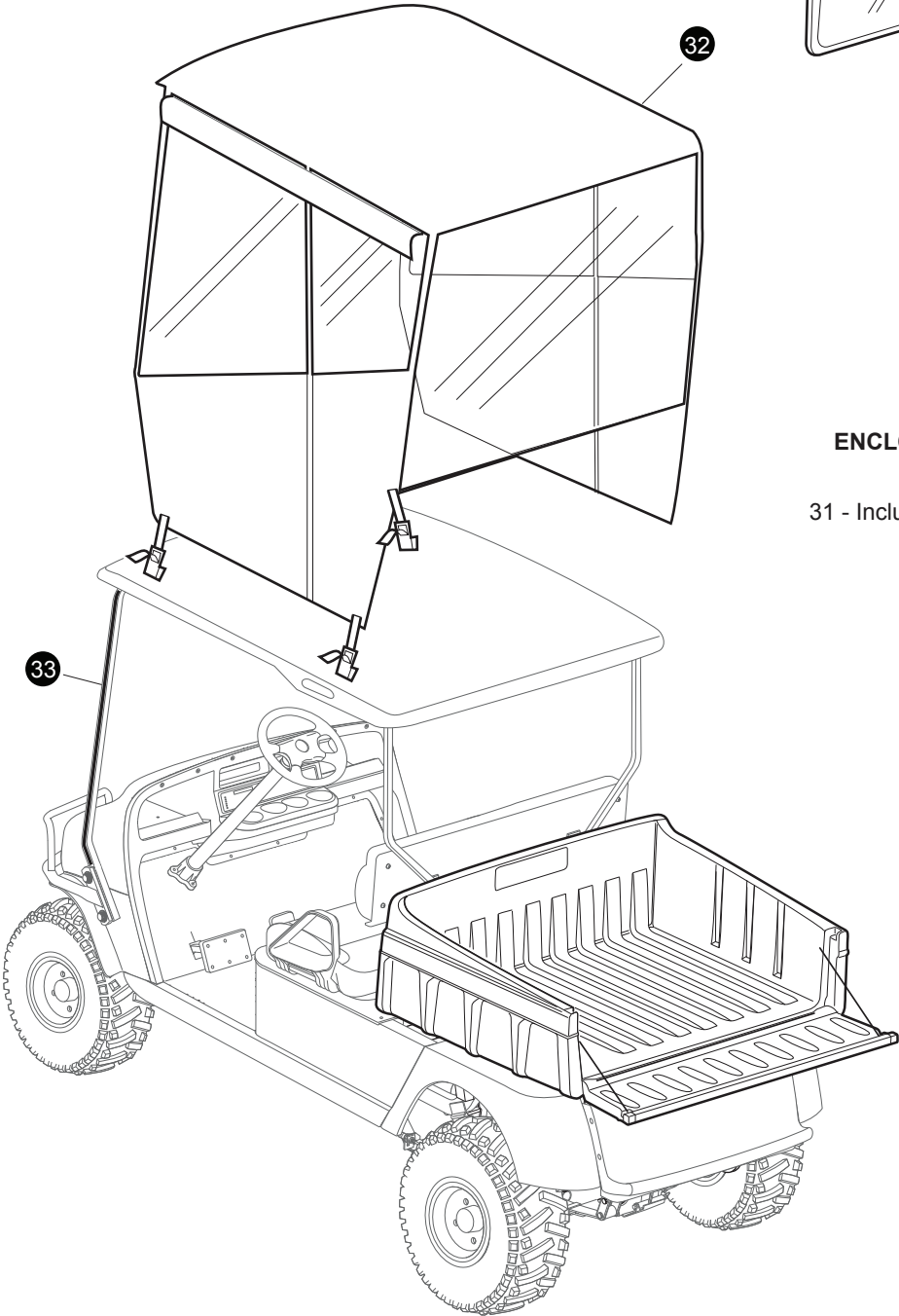
REAR VIEW MIRROR

26 - Includes Items 27 - 29



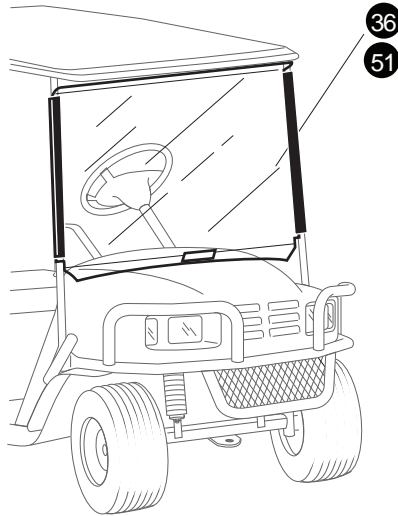
ENCLOSURE

31 - Includes Items 32, 33

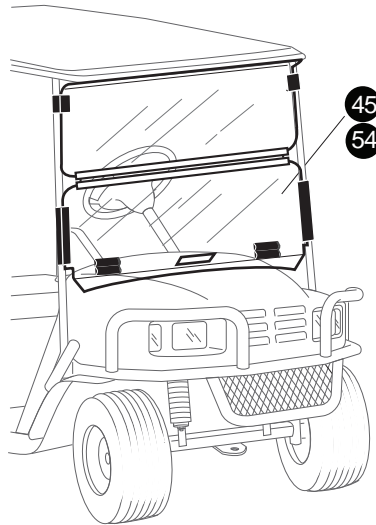


WINDSHIELDS

36 & 51 - See Individual Kit Instructions for service parts

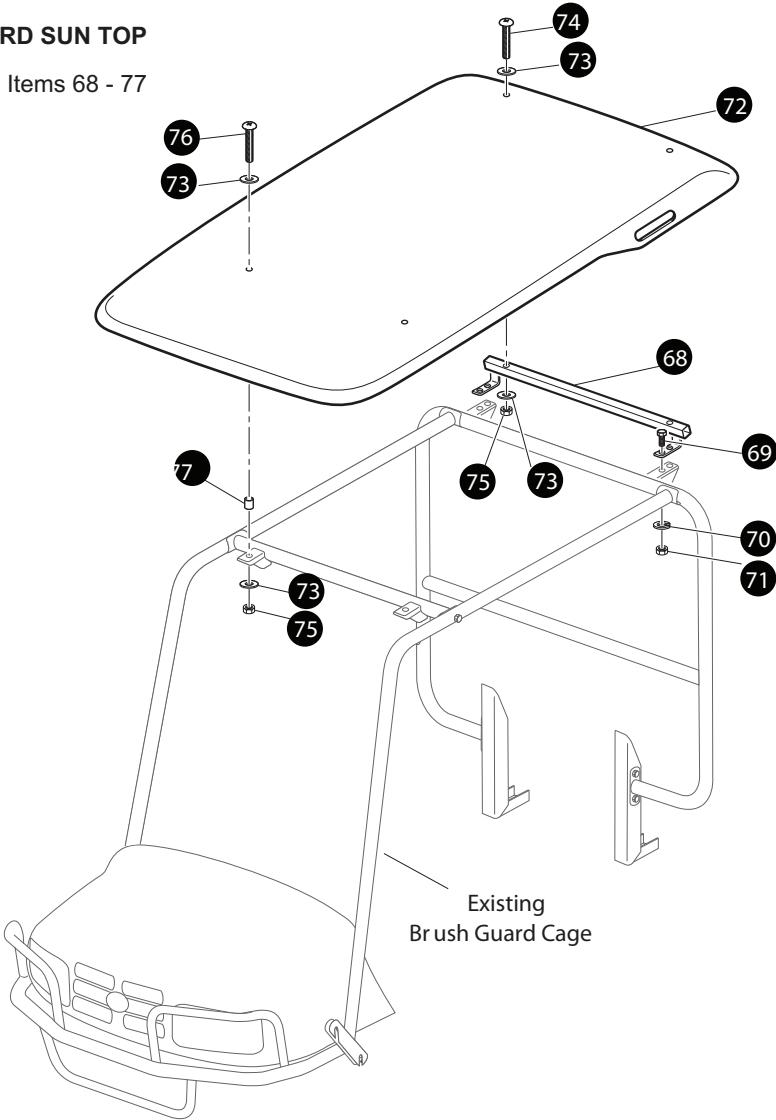


45 & 54 - See Individual Kit Instructions for Service parts

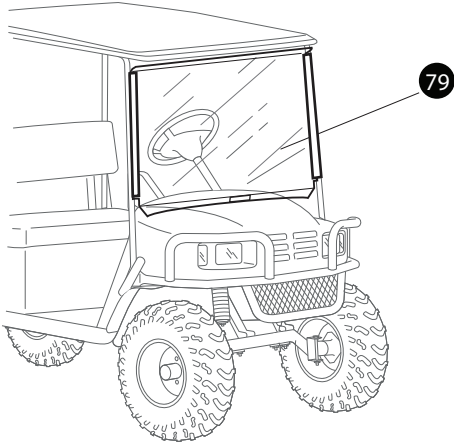


BRUSHGUARD SUN TOP

67 - Includes Items 68 - 77



BRUSHGUARD WINDSHIELD



WEATHER PROTECTION

When ordering parts, please specify the model and serial number of the product.

* Indicates a component that is not available as an individual part.

*** Indicates consult Customer Service Department for additional information.

ITEM	PART NO.	1	2	3	4	5	DESCRIPTION	QTY.
1	75040-G0*						SUN TOP KIT (INCLUDES ITEMS 2 -21)	1
2	27069-G0*						SUN TOP	1
3	75044-G06						HARDWARE KIT (INCLUDES ITEMS 4 - 21).....	1
4	75045-G05						FRONT STRUT	1
5	75838-G03						REAR STRUT (DRIVER SIDE)	1
6	75838-G04						REAR STRUT (PASSENGER SIDE).....	1
7	75465-G01						FASTENING HARDWARE KIT (INCLUDES ITEMS 8 - 21).....	1
8	00440-G2						BOLT, 5/16 - 18 X 2 1/4" LG.....	4
9	00905-G8						LOCK WASHER, 5/16"	4
10	75048-G01						SPACER, 1/2"	2
11	00570-G2						WASHER, 5/16"	6
12	00685-G7						BOLT, 5/16 - 18 X 1 3/4" LG (STAINLESS STEEL)	4
13	01110-G03						WASHER, 5/16" (STAINLESS STEEL).....	8
14								
15	01109-G01						LOCK NUT, 5/16 - 18 (STAINLESS STEEL).....	4
16	00753-G5						SCREW, 1/4 - 20 X 2" LG (STAINLESS STEEL).....	2
17	00753-G6						SCREW, 1/4 - 20 X 2 1/4" LG (STAINLESS STEEL).....	2
18	01110-G01						WASHER, 1/4" (STAINLESS STEEL).....	8
19	75051-G01						PLASTIC SPACER.....	4
20	00891-G2						LOCK NUT, 1/4 - 20	4
21	19853-G1						END CAP, 1"	2
22								
23								
24								
25								
26	19528-G2						REAR VIEW MIRROR KIT (INCLUDES ITEMS 27 - 29)	1
27	*						REAR VIEW MIRROR	1
28	*						SUPPORT BRACKET.....	1
29	19527-G1						SCREW, #8 - 32 X 5/8" LG (STAINLESS STEEL).....	1
30								
31	75367-G**						3 SIDED SOFT ENCLOSURE KIT (INCLUDES ITEMS 32 - 33)	1

WEATHER PROTECTION

When ordering parts, please specify the model and serial number of the product.

* Indicates a component that is not available as an individual part.

*** Indicates consult Customer Service Department for additional information.

ITEM	PART NO.	1 2 3 4 5	DESCRIPTION	QTY.
32	*		ENCLOSURE	1
33	*		VELCRO	AR
34				
35				
36	71966-G01		WINDSHIELD KIT (FULL)(REQUIRES SUN TOP KIT)	1
37				
38				
39				
40				
41				
42				
43				
44				
45	71966-G02		WINDSHIELD KIT (FOLD DOWN) (REQUIRES SUN TOP KIT)	1
46				
47				
48				
49				
50				
51	71966-G03		WINDSHIELD KIT (FULL) (REQUIRES SUN TOP KIT)	1
52				
53				
54	71966-G04		WINDSHIELD KIT (FOLD DOWN)(REQUIRES SUN TOP KIT)	1
55				
56				
57				
58	74479-G02		BRUSH GUARD KIT (INCLUDES ITEMS 59 - 65)	1
59	74465-G03		BACK	1
60	74459-G03		SIDE (DRIVER SIDE)	1
61	74460-G03		SIDE (PASSENGER SIDE)	1
62	74462-G03		TOP	1

WEATHER PROTECTION

When ordering parts, please specify the model and serial number of the product.

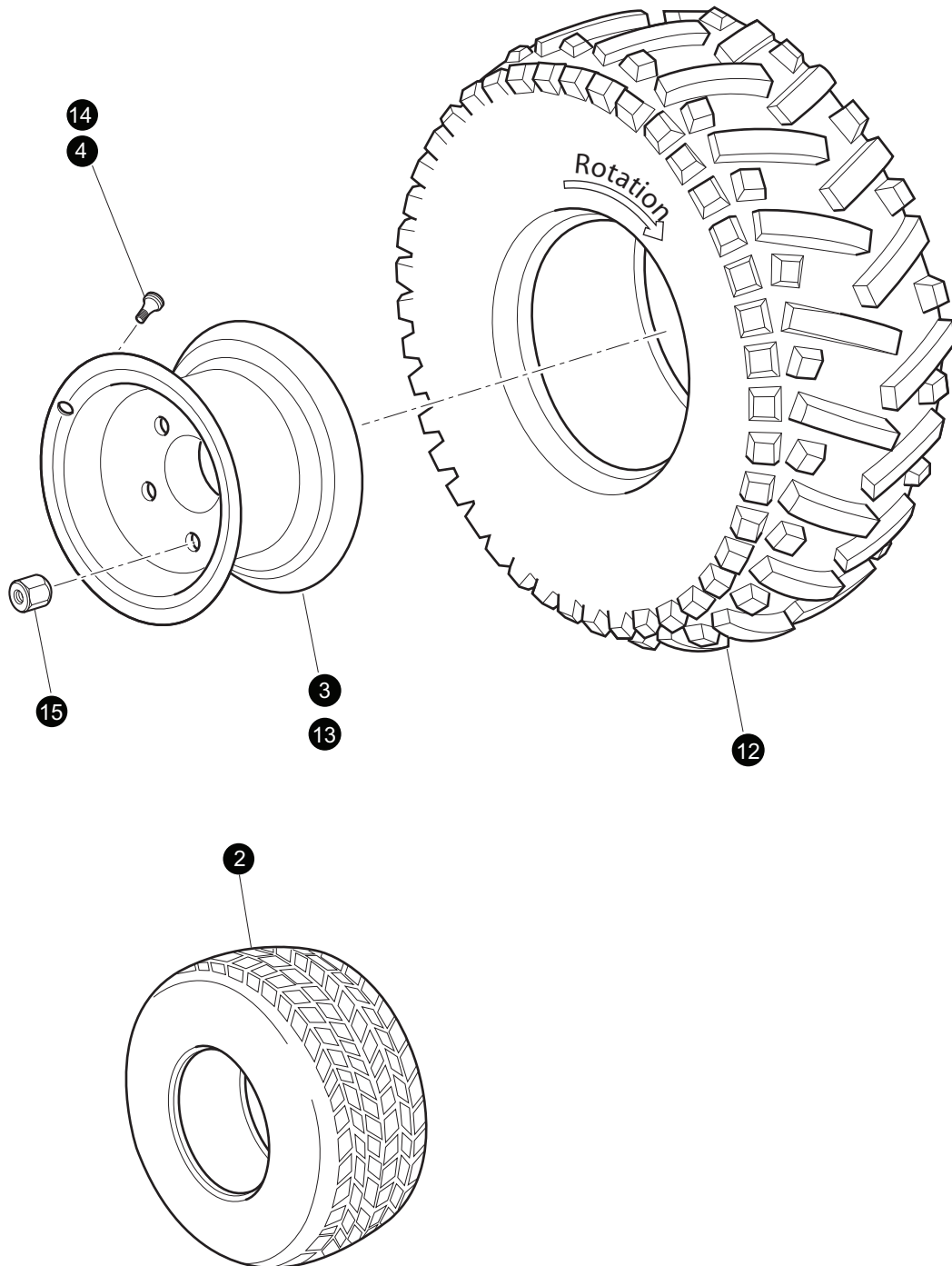
* Indicates a component that is not available as an individual part.

*** Indicates consult Customer Service Department for additional information.

ITEM	PART NO.	1	2	3	4	5	DESCRIPTION	QTY.
63	00428-G2						BOLT, 3/8 - 16 X 2 1/4" LG.....	4
64	00438-G7						BOLT, 5/16 - 18 X 7/8" LG.....	4
65	11098-G6						LOCK NUT, 5/16 - 18	4
66								
67	74496-G0*						SUN TOP KIT (WITH BRUSH GUARD) (INCLUDES ITEMS 68 - 77)	1
68	74466-G01						MOUNTING BRACKET.....	1
69	00438-G5						BOLT, 5/16 - 18 X 5/8" LG.....	4
70	00565-G8						LOCK WASHER, 5/16"	4
71	00532-G3						NUT, 5/16 - 18	4
72	74497-G0*						SUN TOP	1
73	00559-G7						WASHER, 1/4"	8
74	00753-G6						SCREW, 1/4 - 20 X 2 1/4" LG (STAINLESS STEEL).....	2
75	00891-G2						LOCK NUT, 1/4 - 20 (STAINLESS STEEL).....	4
76	00753-G7						SCREW, 1/4 - 20 X 2 1/2" LG (STAINLESS STEEL).....	2
77	74469-G01						SPACER.....	2
78								
79	74542-G01						WINDSHIELD KIT (WITH BRUSH GUARD)	1
80	75378-G04						SUN TOP COVER (CAMO).....	1

WHEELS AND TIRES

1 - Includes Items 2 - 4
10- Includes Items 12 - 14
11- Includes Items 12 - 14
(Style of tire may differ from tire shown)



WHEELS AND TIRES

When ordering parts, please specify the model and serial number of the product.

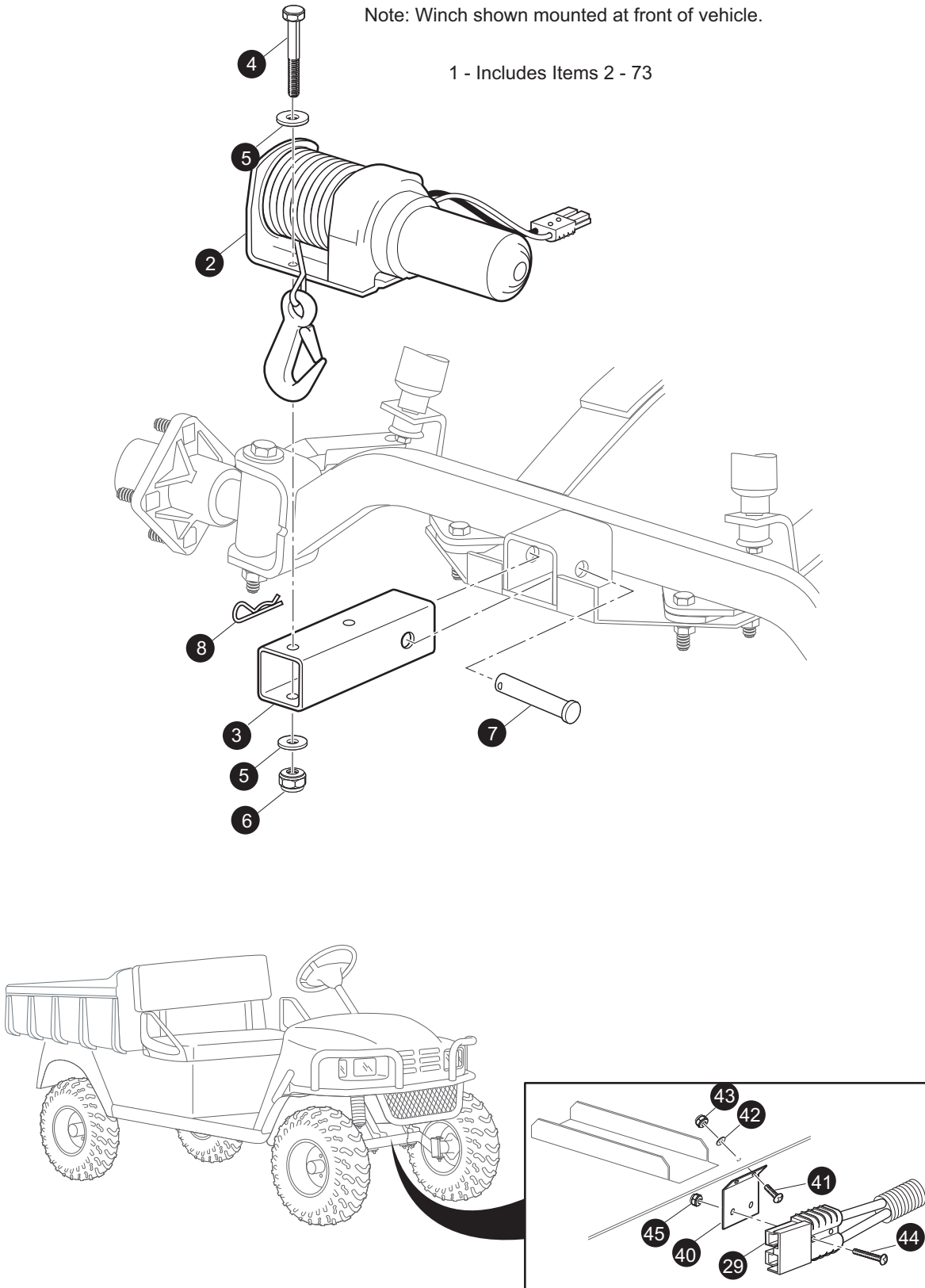
* Indicates a component that is not available as an individual part.

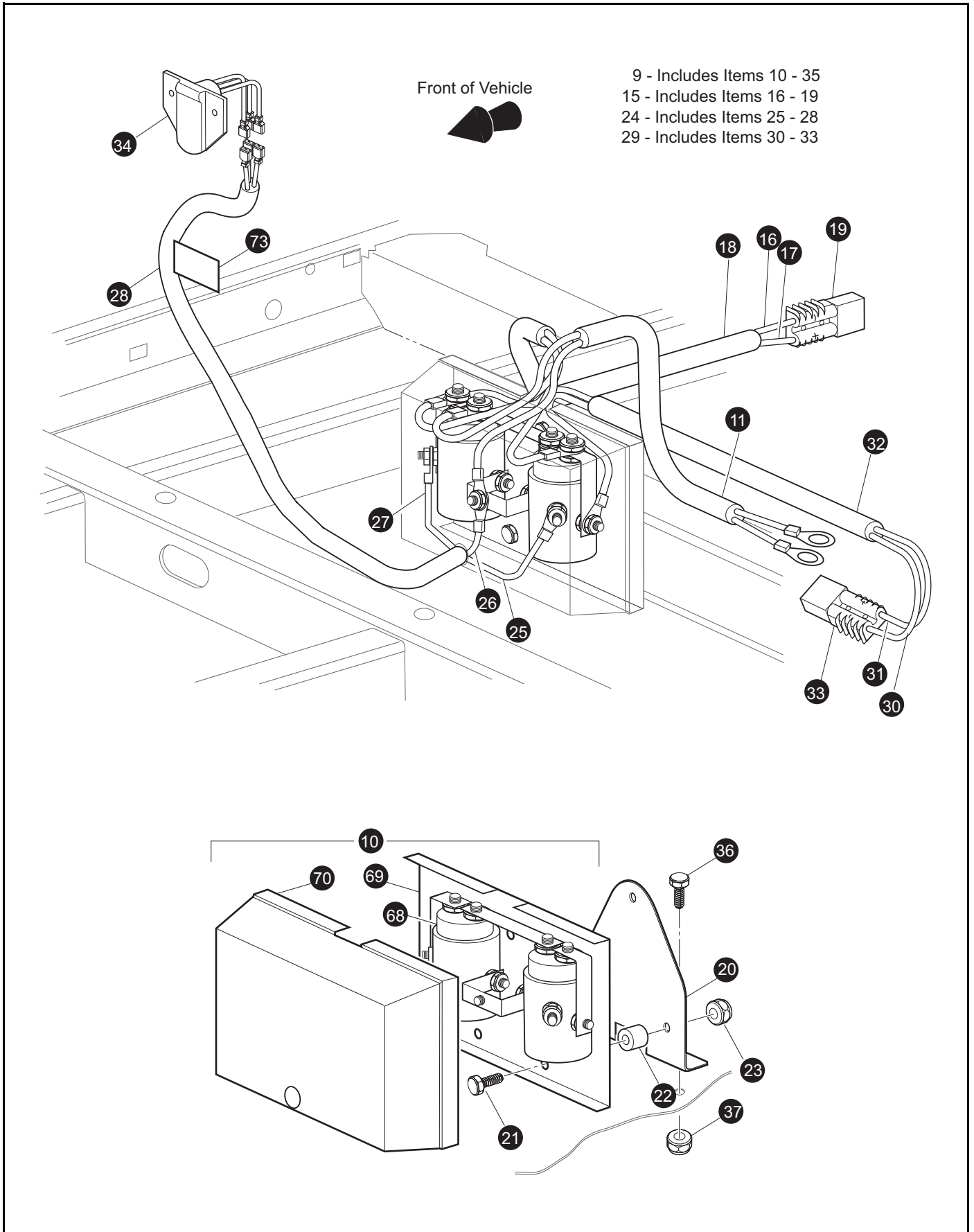
*** Indicates consult Customer Service Department for additional information.

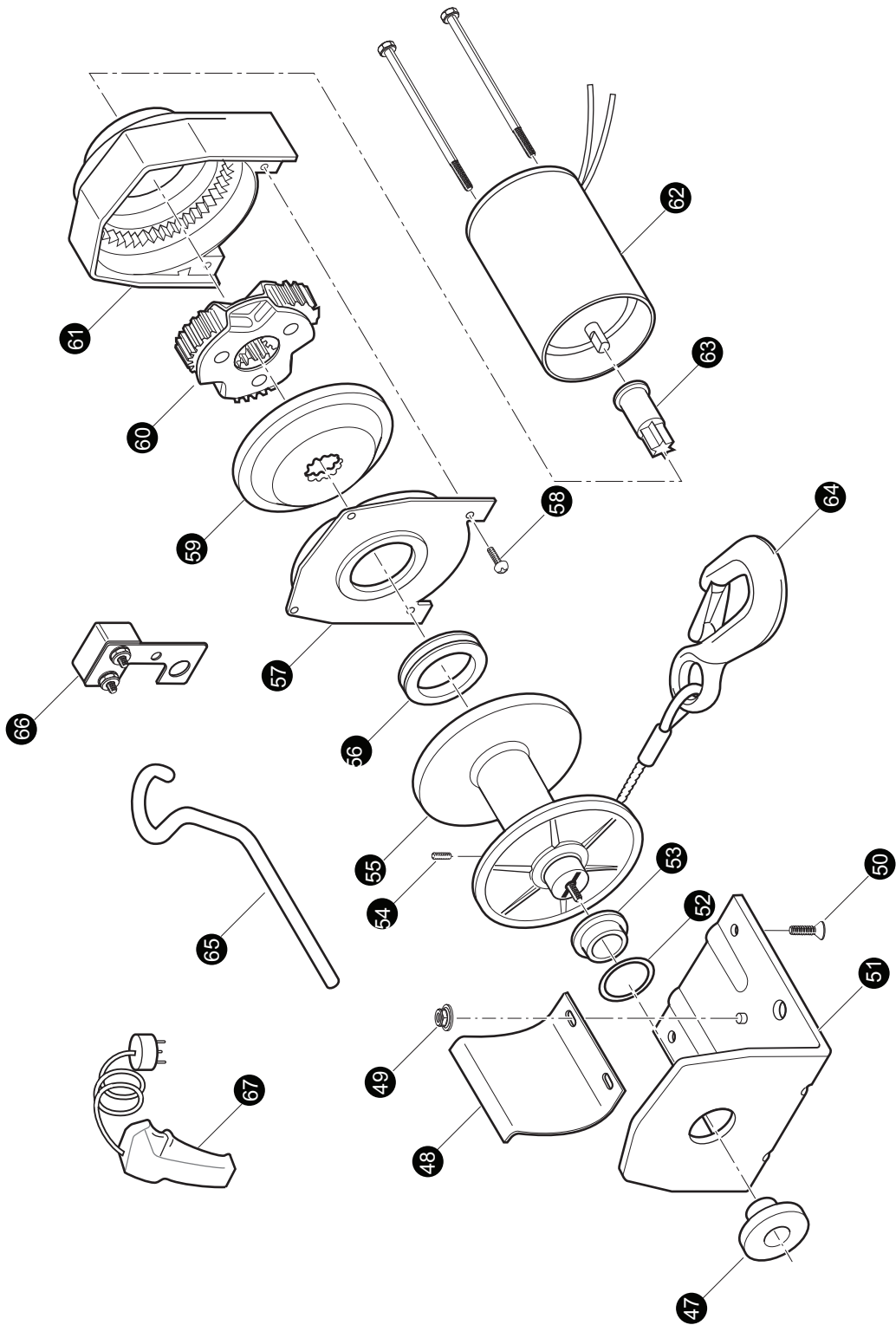
ITEM	PART NO.	1 2 3 4 5	DESCRIPTION	QTY.
1	28442G03		WHEEL AND TIRE ASSY, TURF SAVER (INCLUDES ITEMS 2 - 4)	1
2	28442G02		TIRE, 20 X 10 - 10 TURF SAVER	1
3	15172G02		WHEEL RIM (BLACK, 4 LUG).....	1
4	11657G1		VALVE STEM.....	1
5				
6				
7				
8				
9				
10	28630G04		WHEEL AND TIRE ASSY (DRIVER SIDE) (INCLUDES ITEMS 12 - 14).....	1
11	28630G05		WHEEL AND TIRE ASSY (PASSENGER SIDE) (INCLUDES ITEMS 12 - 14)	1
12	28630G01		TIRE, 22 X 9 - 10 STRYKER.....	1
13	15172G02		WHEEL RIM (BLACK, 4 LUG).....	1
14	11657G1		VALVE STEM.....	1
15	14723G1		LUGNUT, 1/2 - 20	A/R

Note: Winch shown mounted at front of vehicle.

1 - Includes Items 2 - 73







When ordering parts, please specify the model and serial number of the product.

* Indicates a component that is not available as an individual part.

*** Indicates consult Customer Service Department for additional information.

ITEM	PART NO.	1 2 3 4 5	DESCRIPTION	QTY.
1	74259-G02		WINCH KIT (INCLUDES ITEMS 2 - 73) (ST 350).....	1
2	600792		WINCH ASSEMBLY, T1500.....	1
3	74271-G01		WINCH MOUNTING TUBE	1
4	00440-G6		BOLT, 5/16 - 18 X 2 3/4" LG	2
5	00571-G2		WASHER, 5/16".....	4
6	00891-G3		LOCK NUT, 5/16 - 18.....	2
7	21317-G1		CLEVIS PIN, 5/8" x 3" LG.....	1
8	21683-G1		COTTER PIN, 15/32" X 2 13/16" LG	1
9	74286-G02		REMOTE SOLENOID (INCLUDES ITEMS 10 - 35).....	1
10	74256-G02		SOLENOID KIT	1
11	72278-G01		WIRE HARNESS (SOLENOID to BATTERY).....	1
12				
13				
14				
15	600798		WIRE HARNESS (SOLENOID to REAR WINCH) (INCLUDES 16 - 19)	1
16	600794		8 GA WIRE (YELLOW 67")	1
17	600793		8 GA WIRE (BLUE 67")	1
18	20436-G1		FLEX LOOM (BULK) 49"	1
19	73235-G01		CONNECTOR.....	1
20	74326-G01		MOUNTING BRACKET.....	1
21	00414-G6		BOLT, 1/4 - 20 X 3/4" LG.....	3
22	23726-G1		SPACER, 1/4"	3
23	14390-G4		LOCK NUT, 1/4 - 20	3
24	600801		WIRE HARNESS (SOLENOID to RECEPTACLE) (INCLUDES 25-28).	1
25	19077-G1		16 GA WIRE (BLUE 14")	1
26	20216-G1		16 GA WIRE (WHITE 14")	1
27	19080-G1		16 GA WIRE (YELLOW 14")	1
28	17313-G1		FLEX LOOM (BULK), 4"	1
29	600795		WIRE HARNESS (SOLENOID to FRONT WINCH) (INCLUDES 30-33)	1
30	600794		8 GA WIRE (YELLOW 94")	1
31	600793		8 GA WIRE (BLUE 94")	1

When ordering parts, please specify the model and serial number of the product.

* Indicates a component that is not available as an individual part.

*** Indicates consult Customer Service Department for additional information.

ITEM	PART NO.	1	2	3	4	5	DESCRIPTION	QTY.
32	20436-G1						FLEX LOOM, 75 5/8" (BULK)	1
33	73235-G01						CONNECTOR	1
34	600482						RECEPTACLE WITH LEADS (GREEN, WHITE, BLACK)	1
35	*						CIRCUIT BREAKER WITH BRACKET.....	1
36	00414-G5						BOLT, 1/4 - 20 X 5/8" LG.....	2
37	14390-G4						LOCK NUT, 1/4 - 20	2
38								
39								
40	74289-G01						CONNECTOR MOUNT PLATE.....	1
41	00740-G4						SCREW, #10 - 32 X 1/2" LG (STAINLESS STEEL).....	2
42	00559-G5						WASHER, #10	2
43	00921-G8						LOCK NUT, #10 - 32	2
44	00156-G8						SCREW, #10 - 32 X 1" LG	2
45	00526-G4						NUT, #10 - 32	2
46								
<p>The following items are replacement components for the winch. For service or replacement parts, contact Superwinch, Inc., Winch Drive, Putnam, CT 06260 Phone: (860) 928-7787, FAX: (860) 928-1143</p> <p>Always provide the following information when requesting information or ordering replacement parts:</p> <p>Winch Part Number: T1500 Serial Number: (found on housing) Part Number and Description</p>								
47	87-10490						KNOB ASSEMBLY, T-SERIES F/W	1
48	87-22381						TENSION PLATE	1
49	87-23149-05						NUT, HEX, FLANGED, M5 X 0.8	2
50	89-22291-01						SCREW, ST HEX SKY FH, M6 X 1 X 20	2
51	87-22394						BASEPLATE ASSEMBLY, T-SERIES	1
52	AS REQ'D						WASHER, .020 OR .030 THICK	A/R
53	87-10466						BUSHING, T-SERIES.....	1
54	87-23309-01						SET SCREW, M5 X 0.8 X 6	1
55	87-22397						DRUM ASSEMBLY	1

When ordering parts, please specify the model and serial number of the product.

* Indicates a component that is not available as an individual part.

*** Indicates consult Customer Service Department for additional information.

ITEM	PART NO.	1	2	3	4	5	DESCRIPTION	QTY.
56	87-10470						DRUM SUPPORT BUSHING	1
57	87-33257						DRUM SUPPORT PLATE	1
58	87-23030-10						SCREW, ST PAN HEAD, M4 X 0.7 X 10	4
59	87-33251						ROTATOR GEAR, T-SERIES	1
60	87-22380						CARRIER ASSEMBLY, T-SERIES	1
61	87-22396						STATIONARY GEAR HOUSING ASSEMBLY, T-SERIES	1
62	87-33249						MOTOR, 12 VOLT	1
63	87-22401						MOTOR PINION GEAR.....	1
64	1535A						WIRE ROPE AND HOOK ASSEMBLY, 5/32" X 25 FEET	1
65	89-32300						HANSAVER BAR	1
66	90-22873-03						CIRCUIT BREAKER ASSEMBLY, 12 VOLT, T-SERIES	1
67	90-22117						REMOTE CONTROL ASSEMBLY.....	1
68	92-20172						SOLENOID, 12 VOLT	2
69	90-32070						SOLENOID BACK PLATE	1
70	90-31079						SOLENOID COVER	1
71								
72								
73	71489-G01						LABEL (READ INSTRUCTIONS).....	1

SPECIALTY PRODUCTS

SPECIALTY PRODUCTS

SPECIAL TOOLS

PART NO.

DRIVE CLUTCH PULLER BOLT 19779-G2

TOUCH UP PAINT

PART NO.

PEN 3 OUNCE (89 ML) - HUNTER GREEN 28432-G02

PEN 3 OUNCE (89 ML) - CHAMPAGNE BEIGE 28432-G01

PEN 3 OUNCE (89 ML) - WHITE 28432-G10

PEN 3 OUNCE (89 ML) - INDUSTRIAL YELLOW 28432-G03

PEN 3 OUNCE (89 ML) - ORANGE 28432-G04

PEN 3 OUNCE (89 ML) - STEEL BLUE PEARL 28432-G24

PEN 3 OUNCE (89 ML) - CAMOUFLAGE PAINT (THREE PENS) 75831-G01

OPTIONS/ACCESSORIES

OPTIONS/ACCESSORIES

ITEM	KIT NO.	SECTION
AMBER LIGHT	75405-G01	
CAB BRUSH GUARD	74479-G02	See WEATHER PROTECTION
CONSOLE POWER OUTLET	74693-G0*	See ELECTRICAL SYSTEM
DEFROSTER/COOLING FAN	74248-G01	See CAB
DOME LIGHT	20495-G2	
DOOR SET (VINYL)	75855-G01	See CAB
FRONT BASKET	71065-G02	See BODY
GLOVE BOX DOOR	75459-G0*	See BODY
GUN HOLDER - FLOOR MOUNT	74365-G01	See BODY
GUN HOLDER - SINGLE GUN MOUNT	74533-G01	
HITCH KITS	74492-G0*	See BODY
HOUR METER KIT	75114-G02	See ELECTRICAL SYSTEM
INSTRUMENT/SWITCH PANEL	74250-G01	See CAB
LIGHT BAR	71323-G0*	See ELECTRICAL
POWER BED DUMP KIT	74658-G04	See TRUCK BED
REAR VIEW MIRROR KIT (REQ. SUN TOP KIT)	19528-G2	See WEATHER PROTECTION
REAR VIEW MIRROR	27924-G01	
SOFT ENCLOSURE (3 SIDED)	75367-G0*	See WEATHER PROTECTION
STEEL CAB, W/O DOORS	75854-G0*	See CAB
STROBE LIGHT	74245-G01	See CAB
SUN TOP KIT	75040-G0*	See WEATHER PROTECTION
TOP COVER, CAMO	75378-G04	See WEATHER PROTECTION
TURN SIGNAL KIT	75107-G02	See ELECTRICAL SYSTEM
WINCH	74259-G02	See WINCH
WINDSHIELD KIT (REQUIRES SUN TOP KIT)	71966-G0*	See WEATHER PROTECTION
FOLD DOWN WINDSHIELD KIT (REQ. SUN TOP KIT)	71966-G0*	See WEATHER PROTECTION
WINDSHIELD WIPER KIT	74244-G01	See CAB
WORK LIGHTS	74247-G01	See CAB
TIRE DOMINATOR	605316	Wheels and Tires
PATHFINDER TIRE BRUSHED WHEEL LH	605355	Wheels and Tires
PATHFINDER TIRE BRUSHED WHEEL RH	605356	Wheels and Tires
V-STEM BRUSHED SPOKED WHEEL	605351	Wheels and Tires

OPTIONS/ACCESSORIES

ITEM	KIT NO.	SECTION
DOMINATOR POLISHED WHEEL	605319	Wheels and Tires
DOMINATOR BRUSHED WHEEL	605320	Wheels and Tires
CHROME CENTER CAP SPOKED WHEEL	604929	Wheels and Tires
NUT, LUG CHROME	605310	Wheels and Tires
V-STEM POLISHED SPOKED WHEEL	605311	Wheels and Tires
PATHFINDER TIRE 22/11-10	604928	Wheels and Tires
PATHFINDER TIRE POLISHED WHEEL LH	604930	Wheels and Tires
PATHFINDER TIRE POLISHED WHEEL RH	605228	Wheels and Tires
TERRA TRAC TIRE	608914	Wheels and Tires

OPTIONS/ACCESSORIES

VEHICLE WARRANTIES

VEHICLE WARRANTIES

LIMITED WARRANTY

(Mow'n Machine™ Zero-Turn Mower and
Woods Boundary™ Utility Vehicle Replacement Parts)

Woods Equipment Company ("WOODS") warrants replacement parts for Mow'n Machine™ zero-turn mowers and attachments and Woods Boundary™ utility vehicles, accessories and attachments to be free from defect in material and workmanship for a period of ninety (90) days from the date of delivery of the product to the original purchaser.

IMPLIED WARRANTIES OF MERCHANTABILITY AND/OR FITNESS FOR A PARTICULAR PURPOSE ARE LIMITED IN DURATION TO A PERIOD OF NINETY (90) DAYS FROM THE DATE OF DELIVERY OF THE PRODUCT TO THE ORIGINAL PURCHASER. Some states do not allow limitations on how long an implied warranty lasts, so the above limitation may not apply to you.

This Warranty is extended solely to the original purchaser of the product. Should the original purchaser sell or otherwise transfer the product to a third party, this Warranty does not transfer to the third party purchaser in any way. There are no third party beneficiaries of this Warranty.

This Warranty does not cover normal wear or tear, or normal maintenance items, or any damage, failure or loss caused by improper operation, improper maintenance, misuse, or an accident.

WOODS' obligation under this Warranty is limited to, at WOODS' option, the repair or replacement, free of charge, of the product if the product is defective or in noncompliance with this Warranty. **The product must be returned to WOODS with proof of purchase within thirty (30) days after such defect or noncompliance is discovered or should have been discovered, routed through the dealer and distributor from whom the purchase was made, transportation charges prepaid.** WOODS shall complete such repair or replacement within a reasonable time after WOODS receives the product.

WOODS shall not be liable for any incidental or consequential losses, damages or expenses, arising directly or indirectly from the product, whether such claim is based upon breach of contract, breach of warranty, negligence, strict liability in tort or any other legal theory. Without limiting the foregoing, WOODS shall not be liable for any damages relating to (i) lost profits, business, revenues or goodwill; (ii) any expense or loss incurred for labor, supplies, substitute machinery or rental; or (iii) any other type of damage to property or economic loss. Some states do not allow the exclusion or limitation of incidental or consequential damages, so the above limitations may not apply to you.

No agent, representative, dealer, distributor, service person, salesperson, or employee of any company, including without limitation, WOODS, its authorized dealers, distributors, and service centers, is authorized to alter, modify, or enlarge this Warranty.

This Warranty gives you specific legal rights, and you may also have other rights which may vary from state to state.

Answers to any questions regarding warranty service and locations may be obtained by contacting:

**Woods Equipment
Company**

2606 South Illinois Route 2
Post Office Box 1000
Oregon, Illinois 61061
815-732-2141 tel
815-732-7580 fax
www.WoodsEquipment.com

WOODS

ALITEC™
BMP®
CENTRAL FABRICATORS®
GANNON®
GILL®
WAIN-ROY®
WOODS®

F-8495 MM & Boundary Repair Parts (Rev. 5/25/2005)

VEHICLE WARRANTIES

LIMITED WARRANTY

(Mow'n Machine™ Zero-Turn Mowers and Woods Boundary™ Utility Vehicles)

Please Enter Information Below and Save For Future Reference.

Date Purchased: _____ From (Dealer): _____

Model Number: _____ Serial Number: _____

WHAT IS COVERED: Woods Equipment Company ("WOODS") warrants Mow'n Machine™ zero-turn mowers and attachments and Woods Boundary™ utility vehicles, accessories and attachments to be free from defect in material and workmanship for the warranty periods listed below.

FOR HOW LONG:

Mow'n Machine Model #RZ1848B, RZ2052B, RZ2552BE & attachments are warranted for two (2) years or 2000 hours of operation, whichever occurs first, from the date of delivery to the original purchaser when used in residential applications. They are warranted for thirty (30) days or 250 hours, whichever occurs first, from the date of delivery to the original purchaser when used in commercial, industrial or institutional applications.

Mow'n Machine Model #ME2052B, MZ1952K, MZ2652G, MZ2561K, MZ2761, MZ3361G, MZ3372G, MZ2061YD & attachments are warranted for two (2) years from the date of delivery to the original purchaser or 2000 hours of operation, whichever occurs first.

Mow'n Machine Model #M1952K, M2560K, M2760, F21D, F23, F25, F25L, F27 & attachments are warranted for two (2) years from the date of delivery to the original purchaser or 1000 hours of operation, whichever occurs first.

Woods Boundary utility vehicle Model #MAV350, MAV480, MAV4x4, accessories & attachments are warranted for two (2) years from the date of delivery to the original purchaser.

IMPLIED WARRANTIES OF MERCHANTABILITY AND/OR FITNESS FOR A PARTICULAR PURPOSE ARE LIMITED IN DURATION TO THE DURATION OF THE WRITTEN WARRANTY PERIODS LISTED ABOVE. Some states do not allow limitations on how long an implied warranty lasts, so the above limitation may not apply to you.

WHO IS COVERED: This Warranty is extended solely to the original purchaser of the product. Should the original purchaser sell or otherwise transfer the product to a third party, this Warranty does not transfer to the third party purchaser in any way. There are no third party beneficiaries of this Warranty.

WHAT IS NOT COVERED:

This Warranty does not cover normal wear or tear, or normal maintenance items, or any damage, failure or loss caused by:

1. Improper operation, improper maintenance, misuse, or an accident;
2. Any modification or repair by someone other than WOODS, a WOODS authorized dealer or distributor, and/or a WOODS authorized service center; or
3. Repairs made with parts other than those obtainable through WOODS.

WOODS makes no warranty, express or implied, with respect to engines, batteries, tires or other parts or accessories not manufactured by WOODS. Warranties for these items, if any, are provided separately by their respective manufacturers.

WHAT WOODS WILL DO TO CORRECT PROBLEMS:

WOODS' obligation under this Warranty is limited to, at WOODS' option, the repair or replacement, free of charge, of the product if the product is defective or in noncompliance with this Warranty. The product must be returned to WOODS with proof of purchase within thirty (30) days after such defect or noncompliance is discovered or should have been discovered, routed through the dealer and distributor from whom the purchase was made, transportation charges prepaid. WOODS shall complete such repair or replacement within a reasonable time after WOODS receives the product.

OTHER LIMITATIONS:

WOODS shall not be liable for any incidental or consequential losses, damages or expenses, arising directly or indirectly from the product, whether such claim is based upon breach of contract, breach of warranty, negligence, strict liability in tort or any other legal theory. Without limiting the foregoing, WOODS shall not be liable for any damages relating to (i) lost profits, business, revenues or goodwill; (ii) any expense or loss incurred for labor, supplies, substitute machinery or rental; or (iii) any other type of damage to property or economic loss. Some states do not allow the exclusion or limitation of incidental or consequential damages, so the above limitations may not apply to you.

No agent, representative, dealer, distributor, service person, salesperson, or employee of any company, including without limitation, WOODS, its authorized dealers, distributors, and service centers, is authorized to alter, modify, or enlarge this Warranty.

HOW STATE LAW APPLIES: This Warranty gives you specific legal rights, and you may also have other rights which may vary from state to state.

QUESTIONS: Answers to any questions regarding warranty service and locations may be obtained by contacting:

Woods Equipment Company

2606 South Illinois Route 2
Post Office Box 1000
Oregon, Illinois 61061

815-732-2141 tel
815-732-7580 fax
www.WoodsEquipment.com

WOODS®

ALITEC™
BMP®
CENTRAL FABRICATORS®
GANNON®
GILL®
WAIN-ROY®
WOODS®

**Woods Equipment
Company**

2606 South Illinois Route 2
Post Office Box 1000
Oregon, Illinois 61061

815-732-2141 tel
815-732-7580 fax
www.WoodsEquipment.com



All rights reserved. WOODS, the Woods logo, Boundary, and "Tested. Proven. Unbeatable." are trademarks of Woods Equipment Company. All other trademarks, trade names, or service marks not owned by Woods Equipment Company that appear in this manual are the property of their respective companies or mark holders. Specifications subject to change without notice.