

SERVICE PARTS MANUAL

TRACKER
 ***OFF ROAD***TM

TRACKER EV

Issued 03-19

694790-E
Revised 09-19

SERVICE PARTS MANUAL

ELECTRIC POWERED VEHICLE

TRACKER EV

STARTING MODEL YEAR 2020

Never modify the vehicle in any way that will alter the weight distribution of the vehicle, decrease its stability or increase the speed beyond the factory specifications. Such modifications can cause serious personal injury or death. The manufacturer prohibits and disclaims responsibility for any such modifications or any other alteration which would adversely affect the safety of the vehicle.

The manufacturer reserves the right to incorporate engineering and design changes to products in this manual, without obligation to include these changes on units sold previously.

The information contained in this manual may be revised periodically by the manufacturer, and therefore is subject to change without notice.

The manufacturer **DISCLAIMS LIABILITY FOR ERRORS IN THIS MANUAL**, and **SPECIFICALLY DISCLAIMS LIABILITY FOR INCIDENTAL AND CONSEQUENTIAL DAMAGES** resulting from the use of the information and materials in this manual.

These are the original instructions as defined by 2006/42/EC.

MANUFACTURER INFORMATION

Textron Specialized Vehicles, Inc.

1451 Marvin Griffin Road

Augusta, Georgia, USA 30906-3852

Dealer: 800-296-4804

Consumer: 877-394-6727

www.trackeroffroad.com

GENERAL INFORMATION

This vehicle has been designed and manufactured in the United States of America (USA). The Standards and Specifications listed in the following text originate in the USA unless otherwise indicated.

The use of non-Original Equipment Manufacturer (OEM) approved parts may void the warranty.

Failure to properly maintain batteries may void the warranty. Refer to the battery manual for instructions on the proper maintenance and care of the batteries.

BATTERY PROLONGED STORAGE

Batteries self-discharge over time. The rate of self-discharge varies depending on the ambient temperature, the age and condition of the batteries.

Fully charged batteries will not freeze in winter temperatures unless the temperature falls below -75°F (-60°C).

For winter storage, the batteries must be clean, fully charged and disconnected from any source of electrical drain.

The battery charger may remain connected to the vehicle to maintain a full charge on the batteries, provided the charger is plugged into an active electrical source. If power to the electrical source is disconnected or interrupted, the battery charger continues to check the charge on the battery pack. This pulls power from the battery pack and eventually drains the batteries if power is not restored in a timely manner.

As with all electric vehicles, the batteries must be checked and recharged as required or at a minimum of 30 day intervals.

Check and maintain the proper fluid level in all battery cells during the storage period. Proper fluid level is required for maximum battery performance.

BATTERY DISPOSAL

Lead-acid batteries are recyclable. Return whole scrap batteries to distributor, manufacturer or lead smelter for recycling. For neutralized spills, place residue in acid-resistant containers with absorbent material such as sand. Dispose in accordance with local, state and federal regulations for acid and lead compounds. Contact local and/or state environmental officials regarding disposal information.

TABLE OF CONTENTS

SECTION	Page No.
HOW TO USE THE SERVICE PARTS MANUAL	v
ACCELERATOR	A - 1
BATTERY CHARGER	B - 1
BODY	C - 1
BRAKES	D - 1
ELECTRICAL	E - 1
ELECTRONIC SPEED CONTROL	F - 1
FRONT SUSPENSION AND STEERING	G - 1
MOTOR	H - 1
ROPS	J - 1
FRONT AXLE	K - 1
REAR AXLE	L - 1
REAR SUSPENSION	M - 1
SEATING	N - 1
WEATHER PROTECTION	P - 1
WHEELS AND TIRES	R - 1
DECALS AND LABELS	S - 1

HOW TO USE THE SERVICE PARTS MANUAL

This manual is divided into several sections:

- GENERAL INFORMATION
- ILLUSTRATED PARTS BREAKDOWN

The first section, GENERAL INFORMATION, contains the following information:

- WARRANTY INFORMATION
- TABLE OF CONTENT
- HOW TO USE THE SERVICE PARTS MANUAL

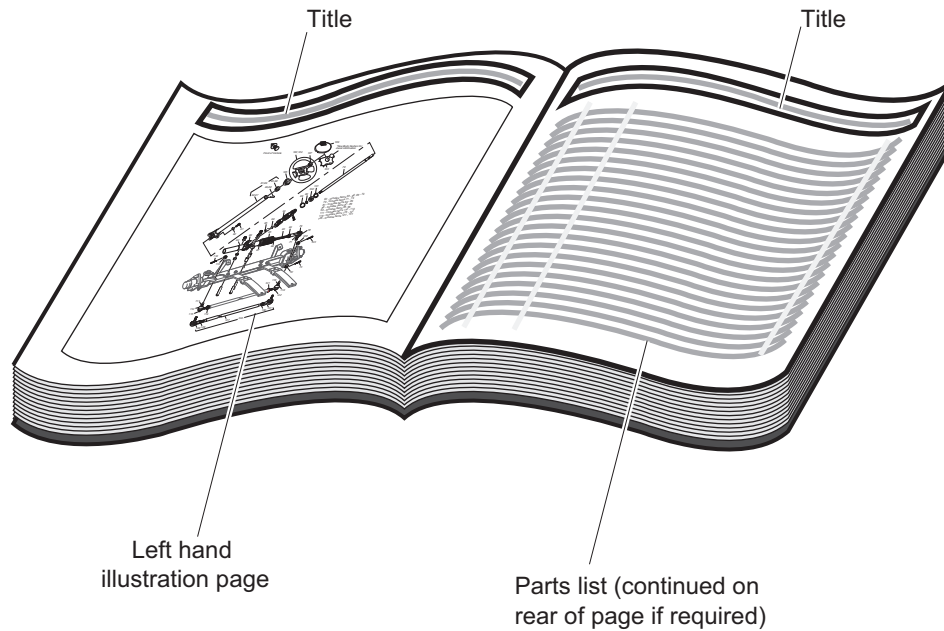
The second section, ILLUSTRATED PARTS BREAKDOWN, contains illustrations and parts lists for all systems of your vehicle.

USE OF THE MANUAL

To use this manual, consult the TABLE OF CONTENTS to locate the information or illustration required.

Introduction of some revisions varies due to supply of components; therefore, it is possible that various combinations of components may be found that are not directly reflected by each illustration. Consult the illustration that best suits your situation and then contact the Service Parts Department. It is important that the serial number of your vehicle and its model number be supplied to Service Parts when ordering any replacement components.

HOW TO USE THE SERVICE PARTS MANUAL



1. WHEN THE PART NUMBER IS NOT KNOWN

- Determine the function and application of the part required. Turn to the TABLE OF CONTENT and select the most appropriate title.
- Turn to the page number indicated and locate the desired part on the illustration.
- From the illustration, obtain the item number assigned to the desired part. Refer to the accompanying description for specific information regarding the part.

2. IF YOU KNOW THE PART NUMBER

- Locate the part number or description in the appropriate column on the parts list page.

NOTE: Confirm the part selected is correct by verifying it with the illustration.

If an asterisk (*) appears in the part number column on the parts list page, read upward until a part number is found. The part number is the lowest assembly sold by Service Parts and the asterisk (*) indicates the part depicted is not available for purchase.

NOTE: Descriptions are indented under the assembly that they are used on. That assembly is, in turn listed under the assembly that it is used on. This process is repeated until the highest final assembly is reached.

To facilitate the maintenance and repair of the vehicle, a Repair and Service Manual is available from the Service Parts Department.

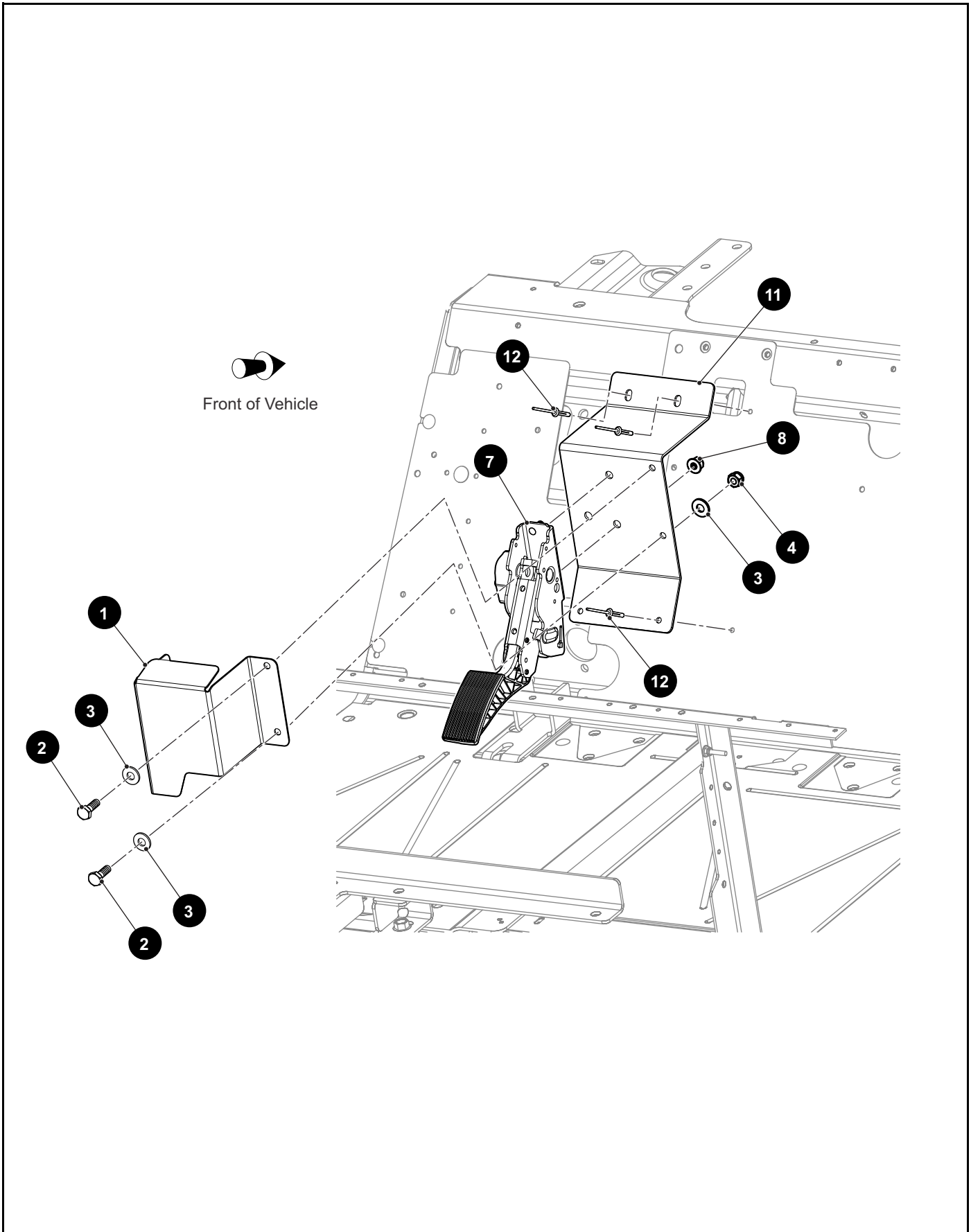
HOW TO USE THE SERVICE PARTS MANUAL

3. COLOR CODE FOR BODY COMPONENTS

The last two digits of the part number for the body part will denote the color code, locate the part number for the cowl, rear body, seat pod, side panel or seat wrap then locate your color in the list below, replace the last ** or XX with the two digit color code.

<u>CODE #</u>	<u>DESCRIPTION</u>
11	BLACK
98	TRUE TIMBER STRATA

ACCELERATOR



ACCELERATOR

THE USE OF NON U.L. PARTS WILL VOID ANY U.L. LISTING.

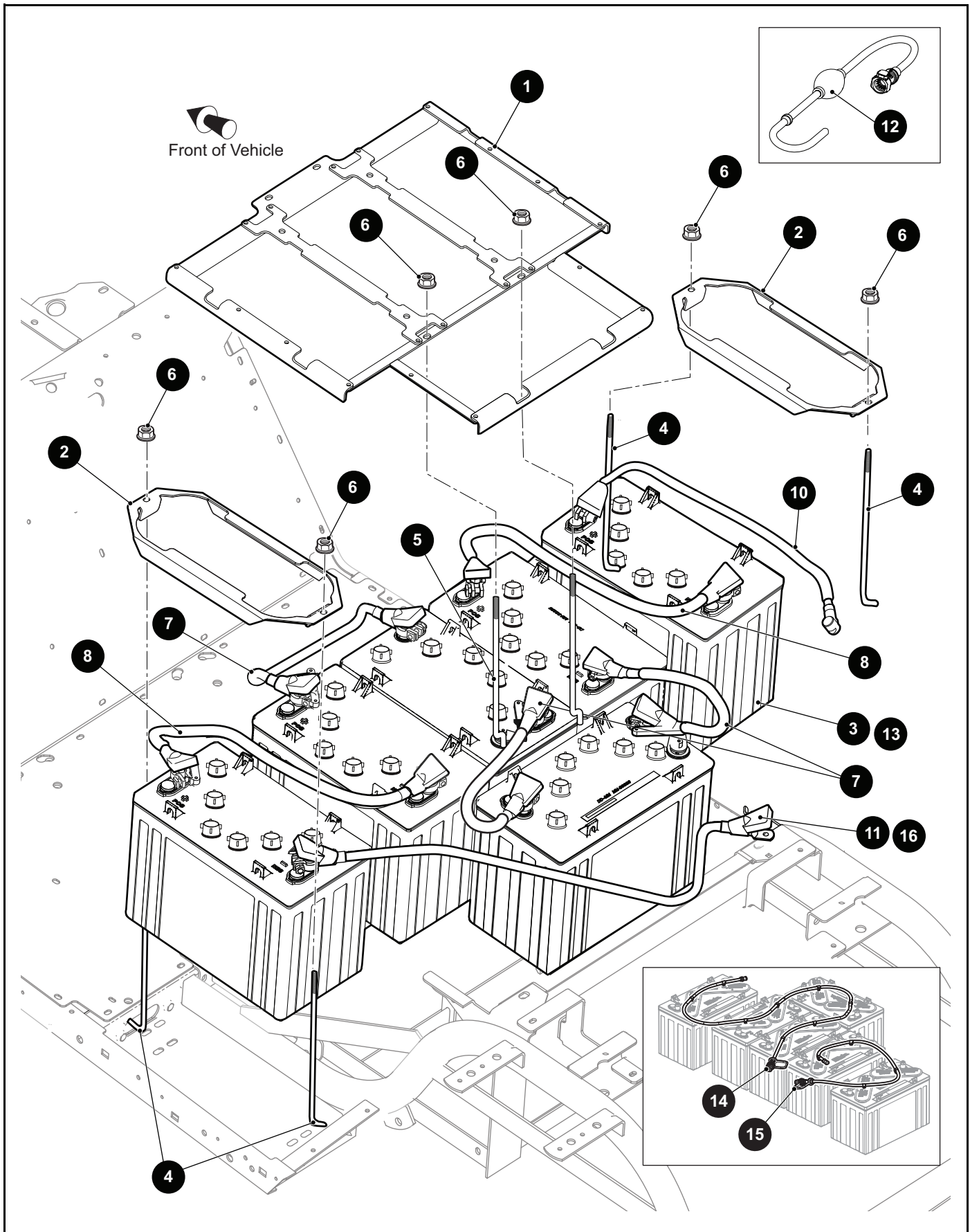
When ordering parts, please specify the model and serial number of the product.

* Indicates a component that is not available as an individual part.

*** Indicates consult Customer Service Department for additional information.

ITEM	PART NO.	1 2 3 4 5	DESCRIPTION	QTY.
1	656066		Accelerator Pedal Cover Bracket	1
2	00414G6		Hex Head Bolt, 1/4" - 20 x 7/8" Lg, Grade 5	2
3	00559G7		Flat Washer, 1/4"	4
4	14390G4		Lock Nut, 1/4" - 20	4
5				
6				
7	0509-173		Accelerator Pedal.....	1
8	645956		Flanged Hex Nut, M8 - 1.25	2
9				
10				
11	655658		Accelerator Pedal Mounting Bracket.....	1
12	14601G11		Rivet, 3/16" x 9/16"	4

BATTERY SYSTEM



BATTERY SYSTEM

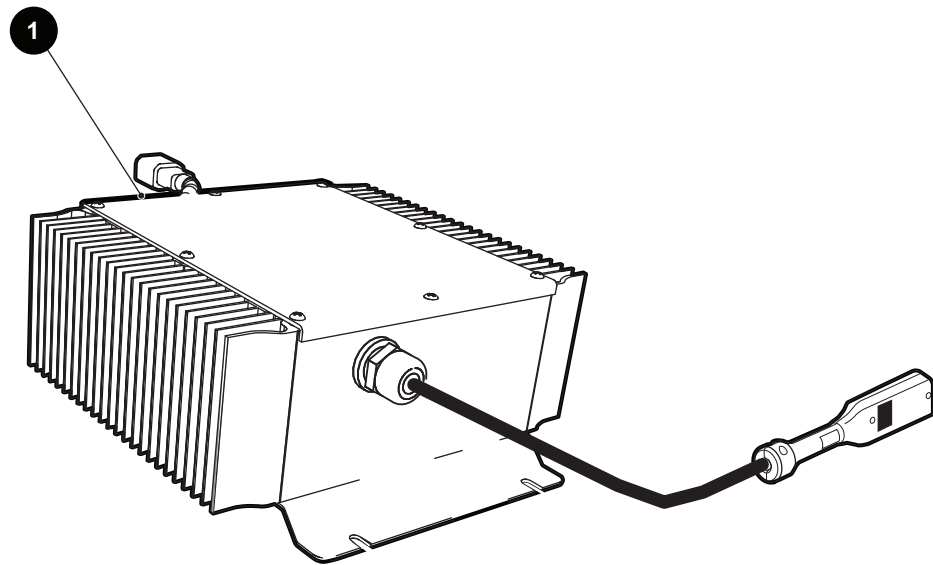
THE USE OF NON U.L. PARTS WILL VOID ANY U.L. LISTING.

When ordering parts, please specify the model and serial number of the product.

* Indicates a component that is not available as an individual part.

*** Indicates consult Customer Service Department for additional information.

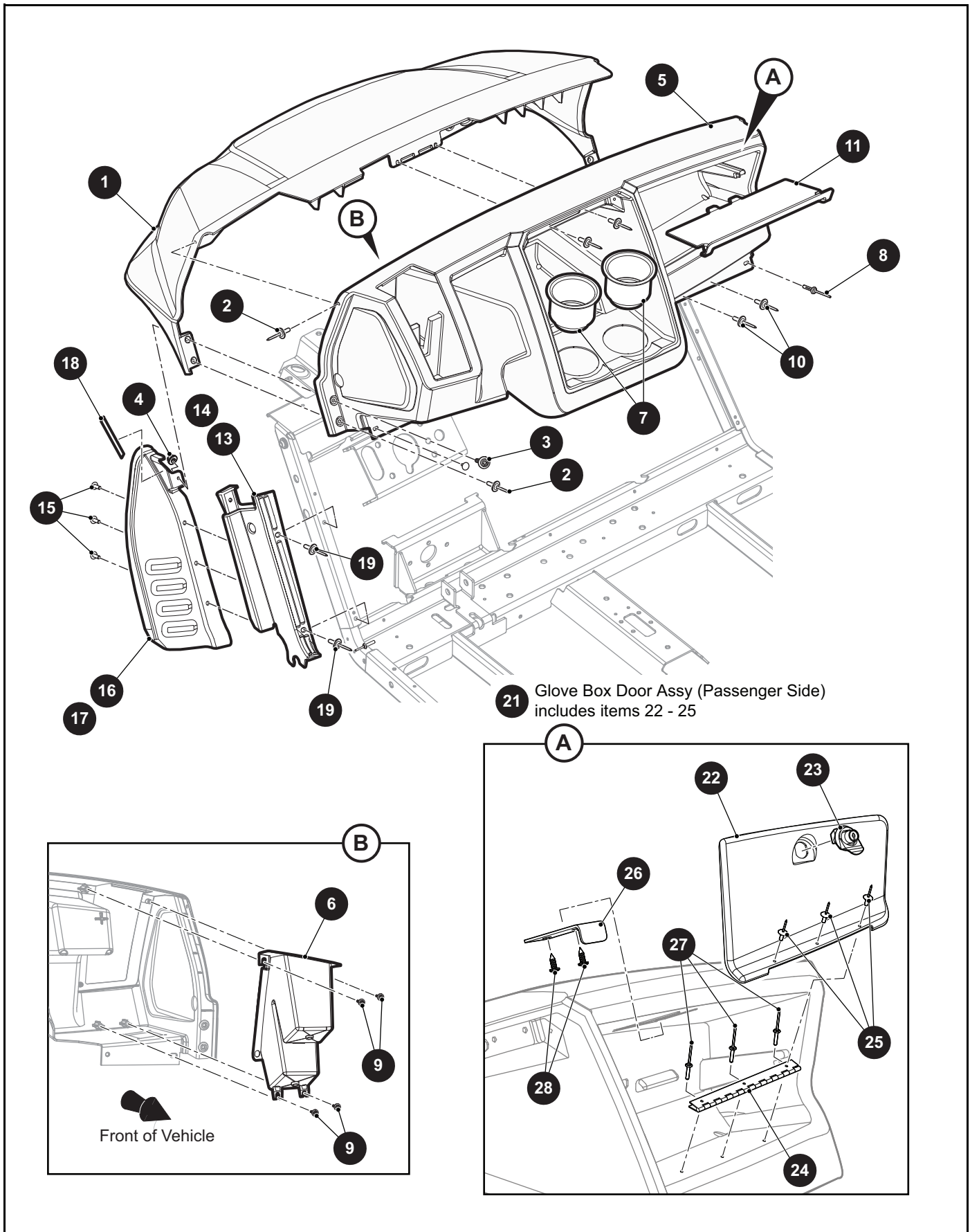
ITEM	PART NO.	1 2 3 4 5	DESCRIPTION	QTY.
1	629435		Battery Hold Down Bracket, 4 - 12V	1
2	631988		Hold Down Bracket, 1 - 12V	2
3	647050		Battery, 12V	6
4	70386G01		Tie Down Bolt, 5/16" - 18 x 11 3/4" Lg.....	6
5	01101G01		Tie Down Bolt.....	2
6	11027G1		Flanged Lock Nut, 5/16" - 18	8
7	628624		Battery Wire, 12.5" Lg	3
8	628628		Battery Wire, 16" Lg	2
9				
10	628630		Battery Wire, 22" Lg	1
11	628631		Battery Wire, 32" Lg	1
12	676122		Trojan Hand Pump Kit.....	1
13	652295		Battery, 12V.....	6
14	620820		Hydro-Link Snake Assembly	1
15	630974		Battery Fill Snake	1
16	670936		Battery Wire, 38" Lg	1



BATTERY SYSTEM

THE USE OF NON U.L. PARTS WILL VOID ANY U.L. LISTING.
 When ordering parts, please specify the model and serial number of the product.
 * Indicates a component that is not available as an individual part.
 *** Indicates consult Customer Service Department for additional information.

ITEM	PART NO.	1 2 3 4 5	DESCRIPTION	QTY.
1	645743		Battery Charger, D Plug 72V 1500W	1



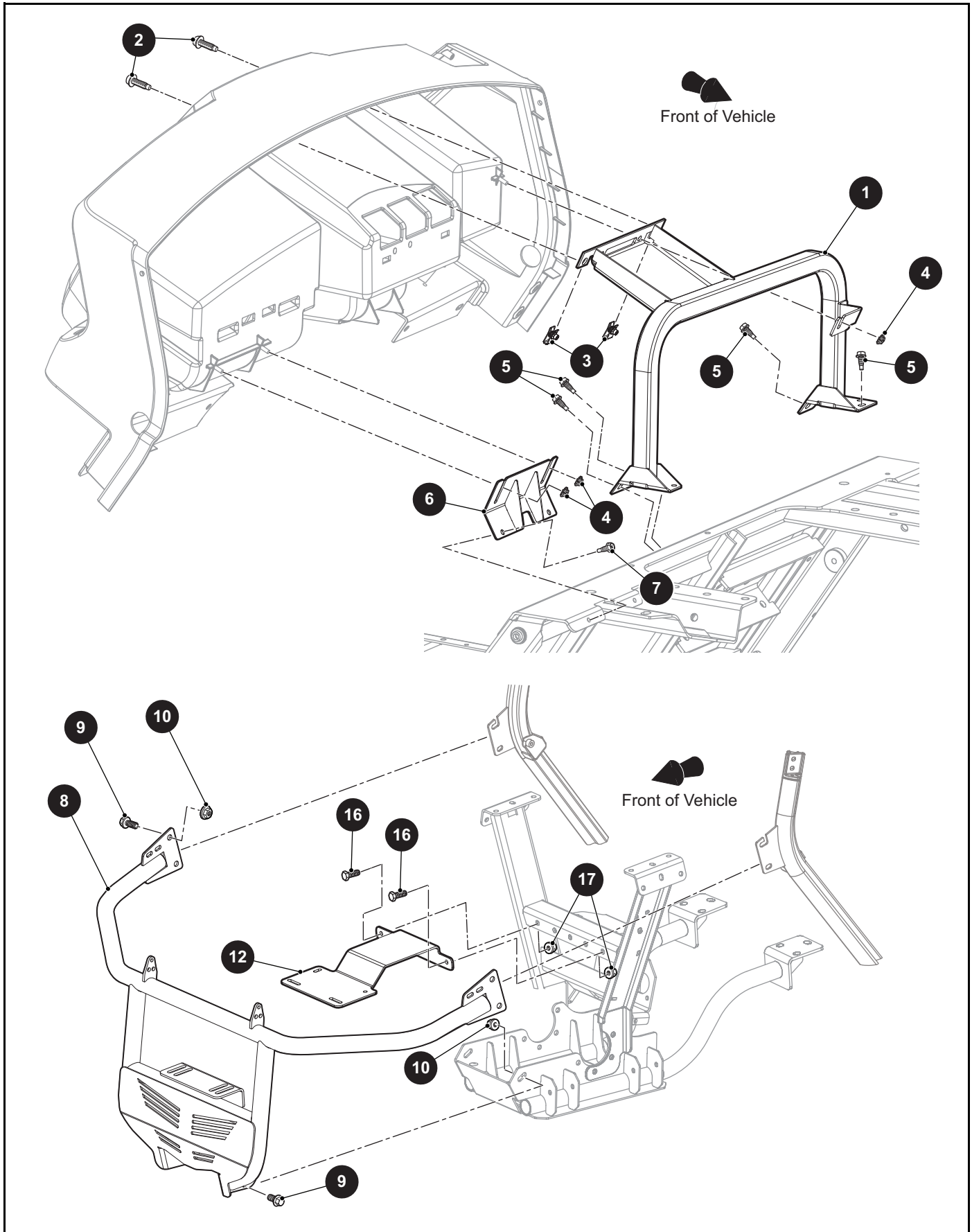
THE USE OF NON U.L. PARTS WILL VOID ANY U.L. LISTING.

When ordering parts, please specify the model and serial number of the product.

* Indicates a component that is not available as an individual part.

*** Indicates consult Customer Service Department for additional information.

ITEM	PART NO.	1 2 3 4 5	DESCRIPTION	QTY.
1	648566G00XX		Cowl (See COLOR CODE in HOW TO USE section)	1
2	71055G02		Black Aluminum Rivet, 3/16" x .56" Grip	6
3	645323		Button Head Torx Hexalobular Screw, M6 - 1 x 23.4mm Lg	2
4	601476		Lock Nut, M6 - 1	2
5	666317		Instrument Panel	1
6	648562		Cup Holder (Driver Side)	1
7	650913		Cup Holder (Center)	2
8	14601G11		Rivet, 3/16" x 9/16"	3
9	613373		Pan Head Tapping Screw, M4.8 - 1.6 x 22mm Lg	4
10	71055G01		Black Aluminum Rivet, 3/16" x .38" Grip	2
11	648561		Compartment Tray Panel	1
12				
13	655917G01		Upper Rocker Panel (Driver Side)	1
14	655917G02		Upper Rocker Panel (Passenger Side)	1
15	18436G1		Plastic Drive Rivet, 1/4" x 3/4"	3
16	664361G01		Fender Mud Flap (Driver Side)	1
17	664361G02		Fender Mud Flap (Passenger Side)	1
18	658355G01		Double Sided Tape Pad, 5"	1
19	15058G6		Black Aluminum Rivet, 3/16" x .95"	2
20				
21	650784		Glove Box Assembly (Passenger Side) (Includes Items 22 - 25)	1
22	650813		Glove Box Door	1
23	654475		Glove Box Lock Assembly	1
24	652386		Piano Hinge	1
25	14601G10		Black Aluminum Rivet, 5/32" x .25"	3
26	652390		Glove Box Striker	1
27	71045G01		Black Aluminum Rivet, 5/23" x .38"	3
28	00614G4		Self Drilling Pan Head Phillips Screw, #8 - 18 x 1/2" Lg	2



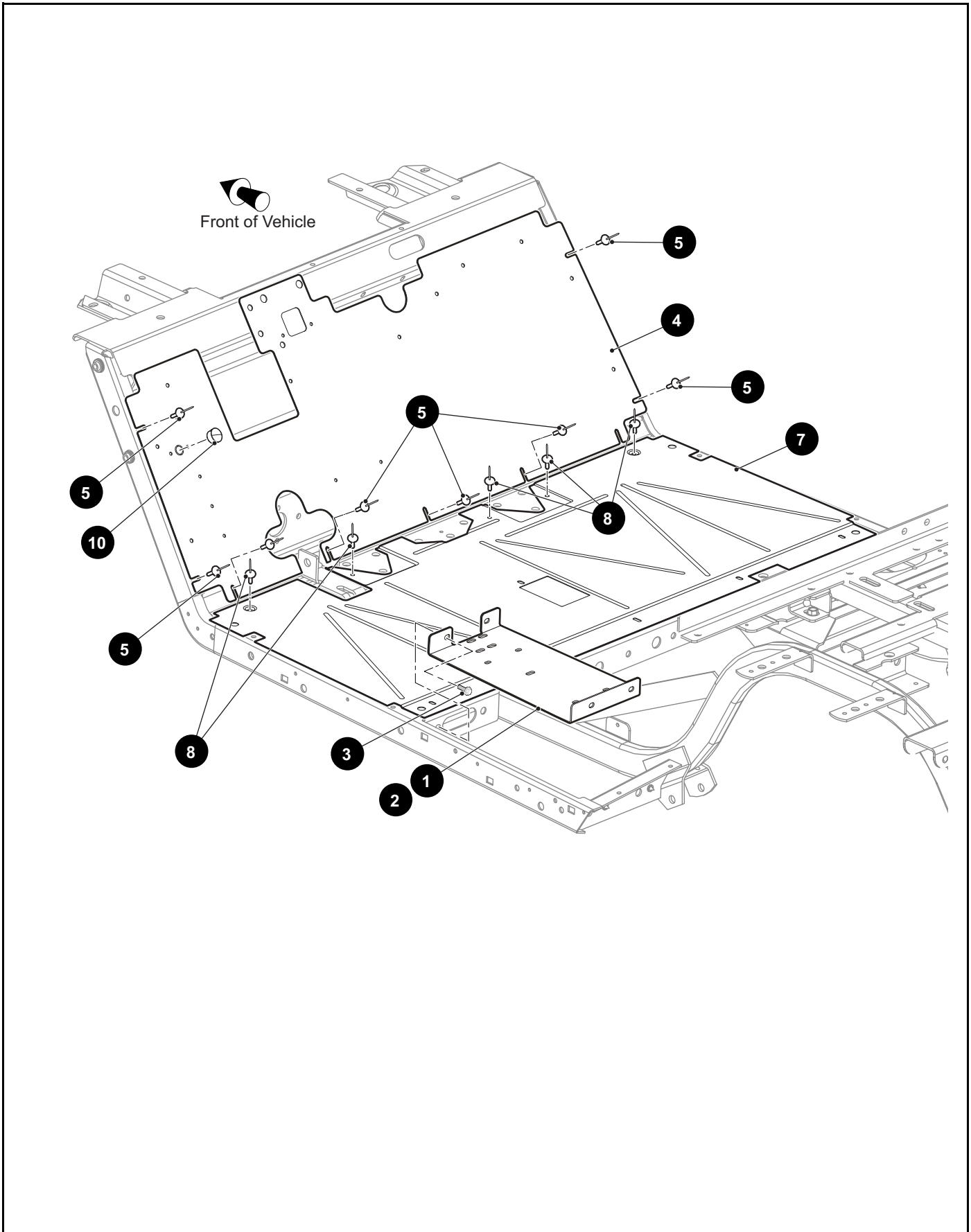
THE USE OF NON U.L. PARTS WILL VOID ANY U.L. LISTING.

When ordering parts, please specify the model and serial number of the product.

* Indicates a component that is not available as an individual part.

*** Indicates consult Customer Service Department for additional information.

ITEM	PART NO.	1 2 3 4 5	DESCRIPTION	QTY.
1	666298		Instrument Panel Weldment.....	1
2	645323		Button Head Torx Hexalobular Screw, M6 - 1 x 23.4mm Lg	2
3	602409		Barrel Clip, M6 - 1	2
4	71597G01		Self Threading Nut, 5mm x 10mm x 15mm.....	3
5	01038G01		Flanged Hex Head Thread Forming Screw, 1/4" - 20 x .7" Lg	4
6	666244		Instrument Panel Support Bracket	1
7	01038G01		Flanged Hex Head Thread Forming Screw, 1/4" - 20 x .7" Lg	2
8	664620		Brush guard.....	1
9	603799		Flanged Hex Head Bolt, M10 - 1.5 x 25mm Lg, Grade 8.8.....	6
10	600525		Flanged Lock Nut, M10 - 1.5.....	6
11				
12	664865		Winch Plate	1
13				
14				
15				
16	548604		Flanged Hex Head Bolt, 5/16" - 18 x 3/4" Lg, Grade 5	3
17	11027G1		Flanged Lock Nut, 5/16" - 18	3



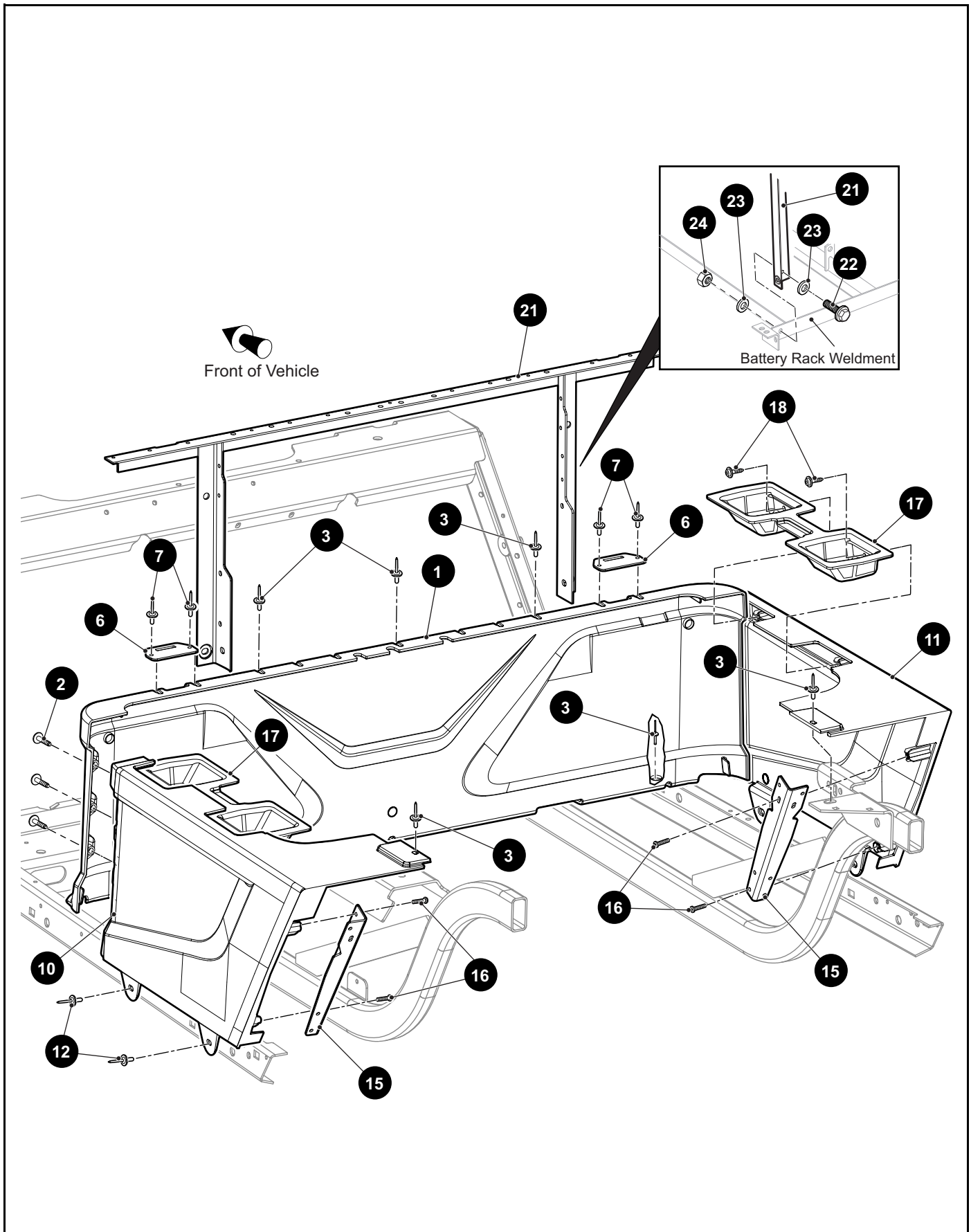
THE USE OF NON U.L. PARTS WILL VOID ANY U.L. LISTING.

When ordering parts, please specify the model and serial number of the product.

* Indicates a component that is not available as an individual part.

*** Indicates consult Customer Service Department for additional information.

ITEM	PART NO.	1 2 3 4 5	DESCRIPTION	QTY.
1	652443G103		Battery Tray Bracket (Driver Side)	1
2	652443G203		Battery Tray Bracket (Passenger Side).....	1
3	00715G2		Hex Washer Head Bolt, 5/16" - 18 x .80" Lg.....	4
4	640553		Upper Floor Panel.....	1
5	14601G11		SS Large Dome Head Rivet, 3/16" x 9/16"	9
6				
7	70451G06		Lower Floor Panel.....	1
8	14601G11		SS Large Dome Head Rivet, 3/16" x 9/16"	5
9				
10	20271G11		Hole Plug, .625"	1



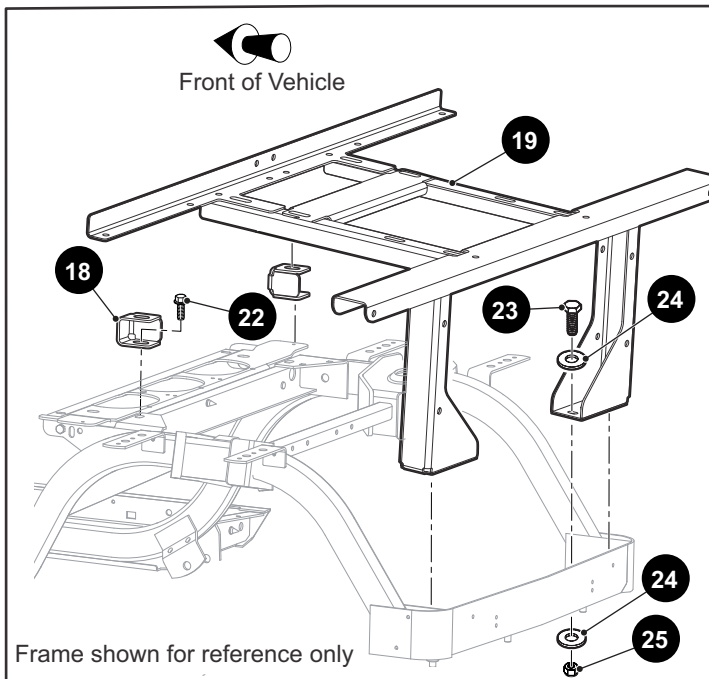
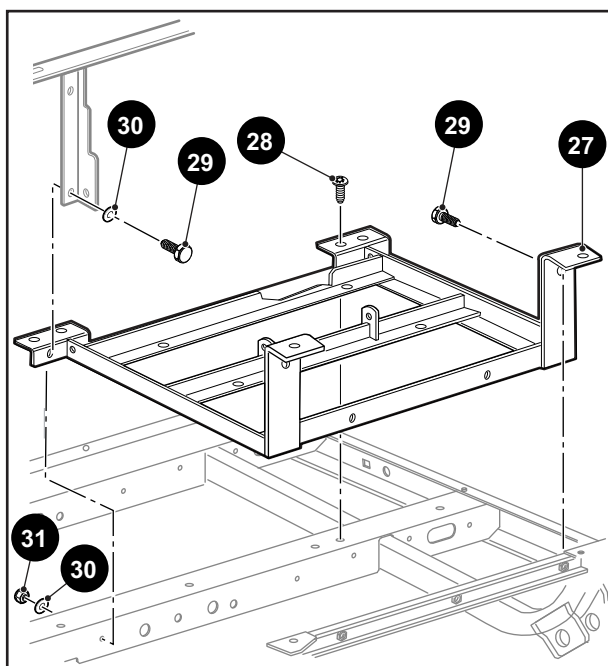
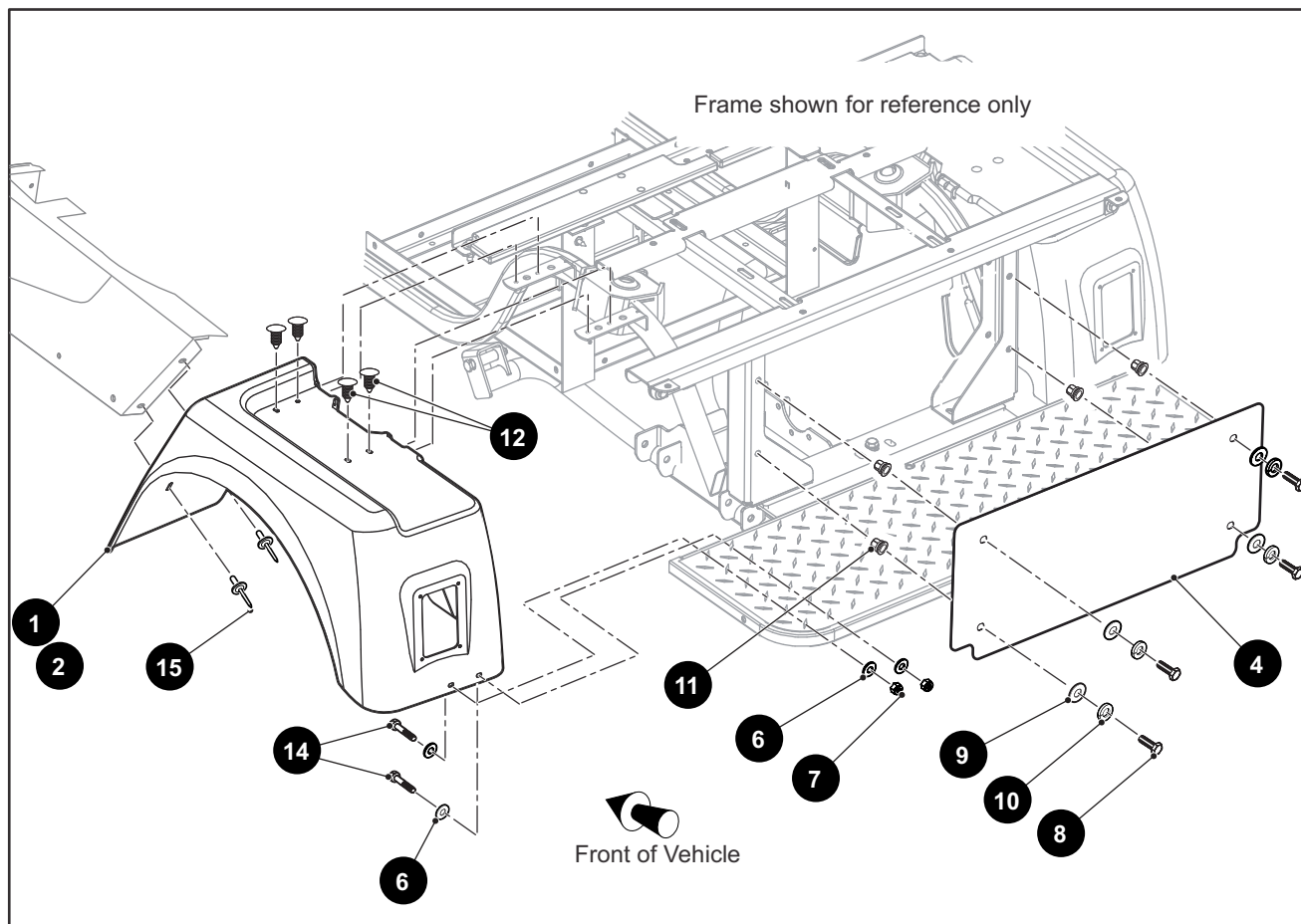
THE USE OF NON U.L. PARTS WILL VOID ANY U.L. LISTING.

When ordering parts, please specify the model and serial number of the product.

* Indicates a component that is not available as an individual part.

*** Indicates consult Customer Service Department for additional information.

ITEM	PART NO.	1 2 3 4 5	DESCRIPTION	QTY.
1	649251G01		Seat Wrap	1
2	634161		Flanged Button Head Torx Bolt, M6 - 1 x 30mm Lg	6
3	10570G10		Large Dome Head SS Rivet, 5/32" x .25" Grip	10
4				
5				
6	71609G01		Seat Hinge Plate	2
7	10570G11		Large Dome Head SS Rivet, 3/16" x .5" Grip	4
8				
9				
10	652716G04		Side Panel, Driver Side	1
11	652716G05		Side Panel, Passenger Side	1
12	10570G12		Dome Head Aluminum Rivet, 1/4" x .34" Grip.....	4
13				
14				
15	662216		Side Panel Bracket.....	1
16	608290		Self Tapping Screw, #10 - 16 x 3/4" Lg	2
17	667879		Side Panel Close Out.....	1
18	613373		Pan Washer Head Torx Screw, M6 - 1 x 16mm Lg	2
19				
20				
21	70441G01		Seat Frame Weldment	1
22	00438G6		Hex Head Bolt, 5/16" - 18 x 5/8" Lg, Grade 5	2
23	00559G8		Flat Washer, 5/16"	4
24	11098G6		Lock Nut, 5/16" - 18	2



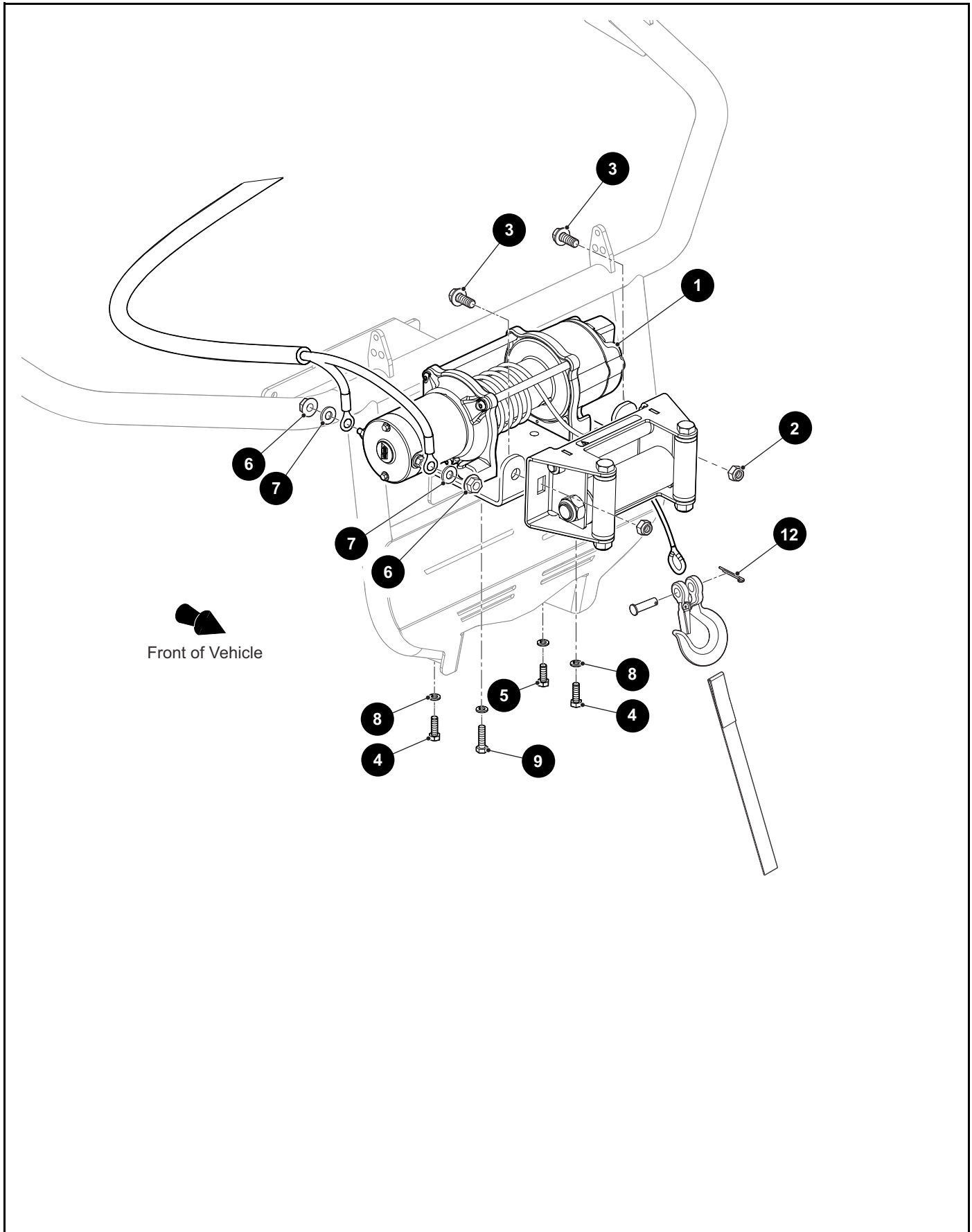
THE USE OF NON U.L. PARTS WILL VOID ANY U.L. LISTING.

When ordering parts, please specify the model and serial number of the product.

* Indicates a component that is not available as an individual part.

*** Indicates consult Customer Service Department for additional information.

ITEM	PART NO.	1 2 3 4 5	DESCRIPTION	QTY.
1	629186G01		Fender Flare, Rear (Driver Side).....	1
2	629186G05		Fender Flare, Rear (Passenger Side).....	1
3				
4	629417G03		Rear Closeout Panel.....	1
5				
6	00793G2		Flat Washer (SS), 1/4".....	4
7	14390G4		Lock Nut, 1/4" - 20.....	4
8	00427G2		Hex Head Bolt, 3/8" - 16 x 1.25" Lg, Grade 5.....	4
9	00643G1		Flat Washer, 3/8".....	4
10	120177		Lock Washer, 3/8".....	4
11	641848		Hex Nut, 3/8" - 16.....	4
12	16816G2		Ratchet Rivet, .25" x .887".....	4
13				
14	303459		Hex Head Bolt, 1/4" - 20 x 1 1/2" Lg Grade 5.....	2
15	15058G6		Black Aluminum Large Dome Head Rivet, 3/16" x .75" Grip.....	2
16				
17				
18	629351		Seat Frame Bracket.....	2
19	642437		Seat Support.....	1
20				
21				
22	01006G02		Hex Washer Head Bolt, 3/8" - 16 x 1.5" Lg.....	2
23	00463G11		Hex Head Bolt, 7/16" - 14 x 1.5" Lg, Grade 5.....	4
24	306982		Flat Washer, 7/16".....	8
25	00734G1		Lock Nut, 7/16" - 14.....	4
26				
27	70046G03		Battery Rack.....	1
28	70200G01		Truss Head Torx Bolt, 3/8" - 16 x .75" Lg.....	2
29	00715G2		Hex Head Bolt, 5/16" - 18 x .8" Lg, Grade 5.....	2
30	00559G8		Flat Washer, 5/16".....	4
31	11098G6		Lock Nut, 5/17" - 18.....	2



THE USE OF NON U.L. PARTS WILL VOID ANY U.L. LISTING.

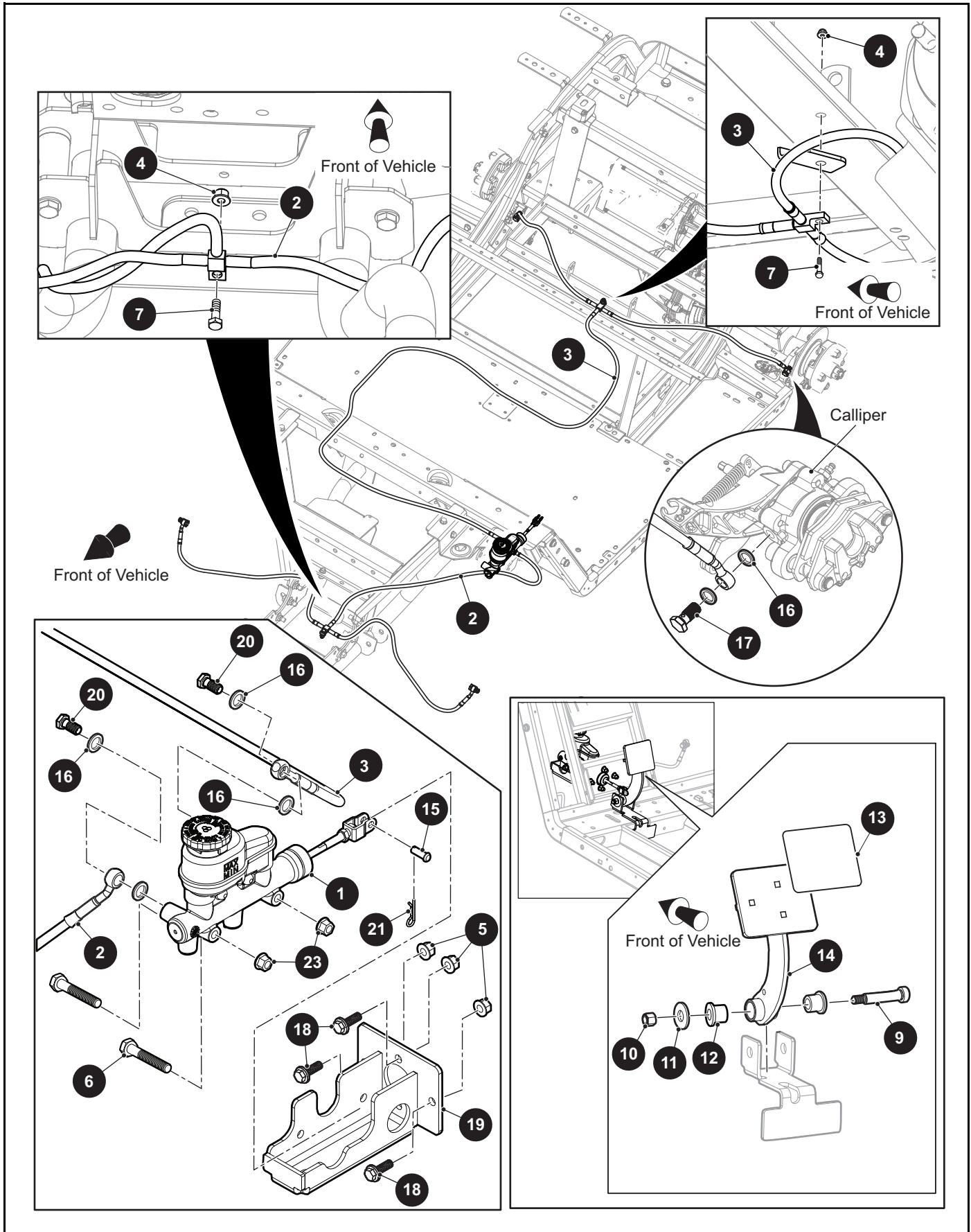
When ordering parts, please specify the model and serial number of the product.

* Indicates a component that is not available as an individual part.

*** Indicates consult Customer Service Department for additional information.

ITEM	PART NO.	1 2 3 4 5	DESCRIPTION	QTY.
1	654067		Winch, V4000.....	1
2	616675		Lock Nut, M10 - 1.5.....	2
3	603799		Flanged Hex Head Bolt, M10 - 1.5 x 25 mm Lg, Grade 8.8.....	2
4	450192		Hex Head Bolt, M8 - 1.25 x 25 mm Lg.....	2
5	450191		Hex Head Bolt, M8 - 1.25 x 20 mm Lg.....	1
6	450452		Flanged Hex Nut, M6 - 1.....	6
7	601327		Split Lock Washer, 6 mm.....	6
8	606272		Split Lock Washer, 8 mm.....	4
9	450193		Hex Head Bolt, M8 - 1.25 x 30 mm Lg, Grade 8.8.....	1
10				
11				
12	10387G2		Cotter Pin, .094" x 1".....	1

BRAKES



THE USE OF NON U.L. PARTS WILL VOID ANY U.L. LISTING.

When ordering parts, please specify the model and serial number of the product.

* Indicates a component that is not available as an individual part.

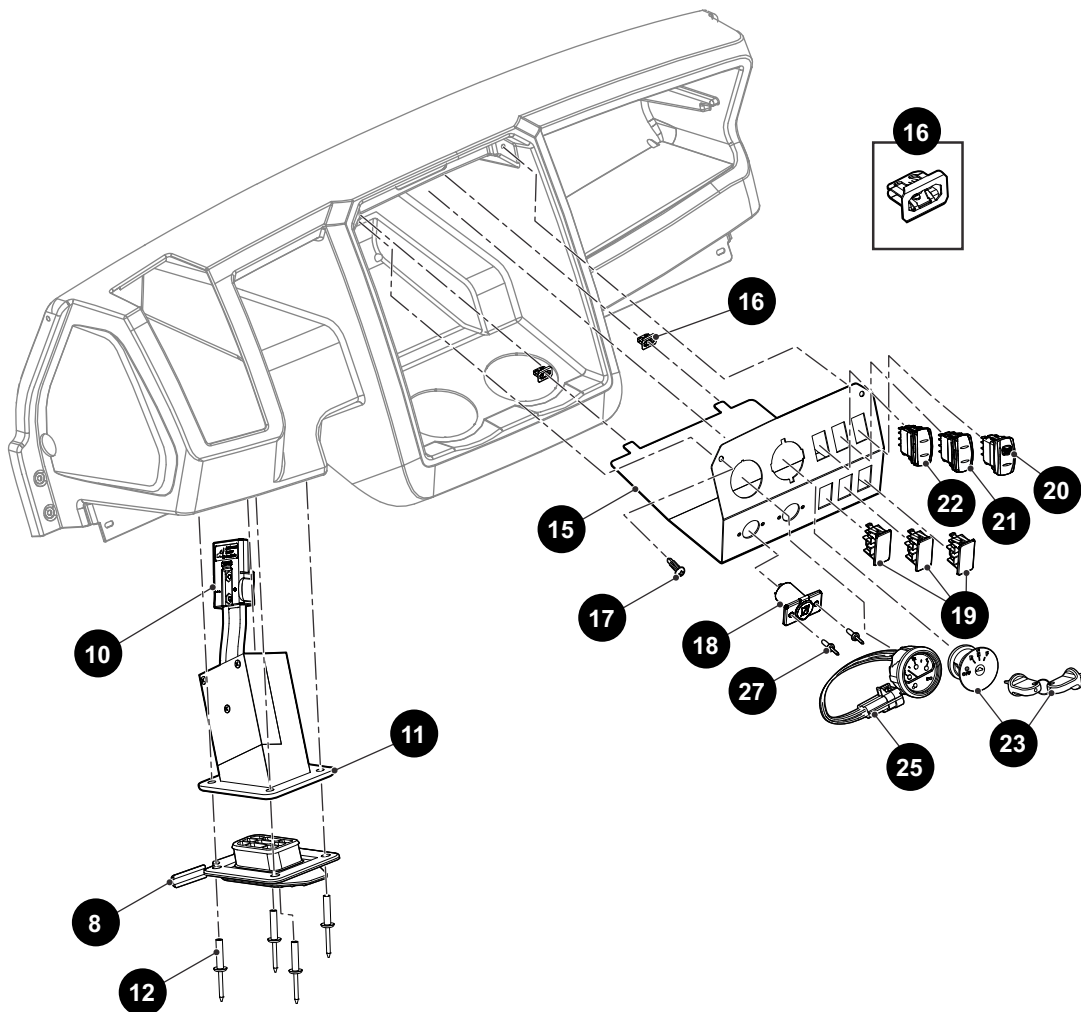
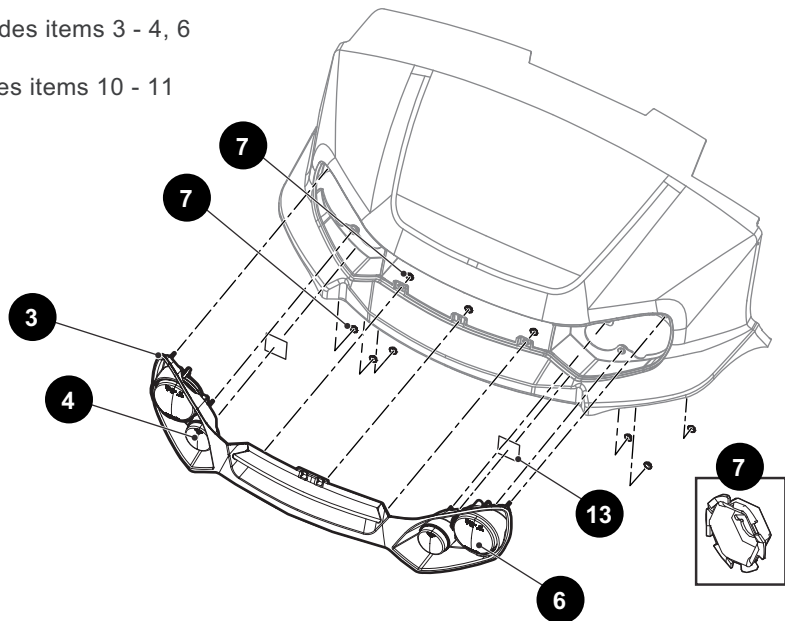
*** Indicates consult Customer Service Department for additional information.

ITEM	PART NO.	1 2 3 4 5	DESCRIPTION	QTY.
1	631593		Brake Master Cylinder.....	1
2	626613		Front Brake Line	1
3	616455		Rear Brake Line	1
4	601476		Lock Nut, M6 - 1.....	1
5	800697		Lock Nut, 5/16" - 18	4
6	00439G8		Hex Head Bolt, 5/18" - 18 x 1.12" Lg, Grade 5	2
7	613231		Hex Head Bolt, M6 - 1 x 20mm Lg, Grade 8.8.....	1
8	12416G2		Nylon Clamp, 10" (To Secure Brake Lines to Frame - Not Illustrated).....	26
9	635177		Shoulder Bolt, 1/2" x 2", 3/8" - 16 x 2" Lg	1
10	11098G5		Lock Nut, 3/8" - 16	1
11	00643G1		Flat Washer, 3/8".....	1
12	70581G02		Flanged Bushing, I.D. .510" x O.D. .795" x .75" Lg	2
13	640478		Pedal Grip	1
14	637808		Brake Pedal Weldment	1
15	10386G2		Clevis Pin, .245" x .68" Lg	1
16	613293		Crush Washer, M10	2
17	616459		Banjo Bolt, M10 - 1 x 20mm Lg.....	1
18	13437G3		Flanged Hex Head Bolt, 5/16" - 18 x 1" Lg	4
19	631616		Master Cylinder Bracket.....	1
20	613292		Banjo Bolt, M10 - 1.25 x 20mm Lg.....	1
21	01076G01		Hairpin Cotter, .078" x 1.21"	1
22				
23	800697		Lock Nut, 5/16" - 18	2

ELECTRICAL

1 Front Grille with Light Assembly includes items 3 - 4, 6

9 Charger Receptacle Assembly includes items 10 - 11



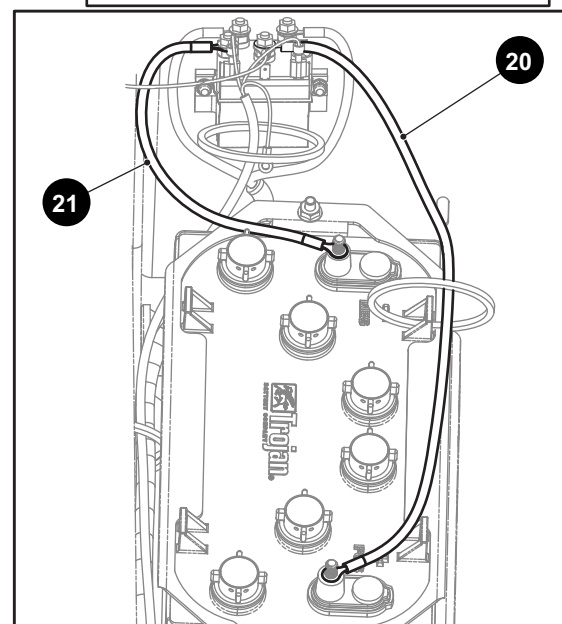
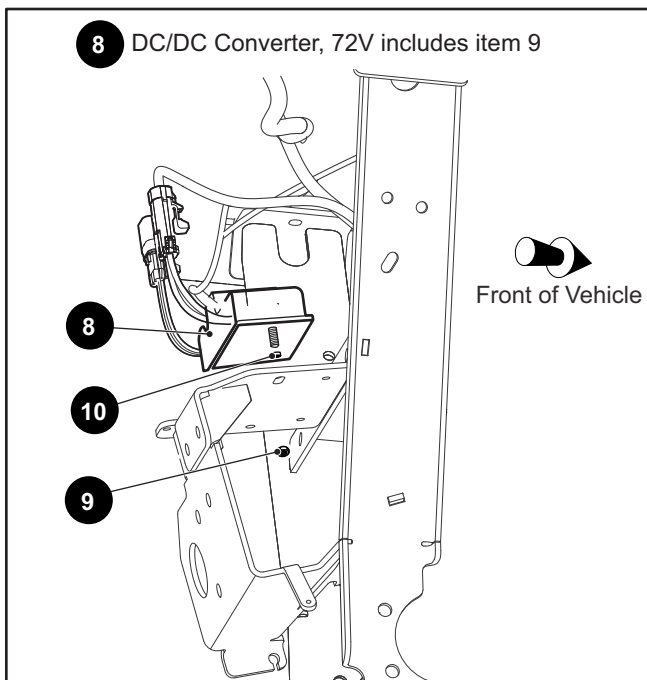
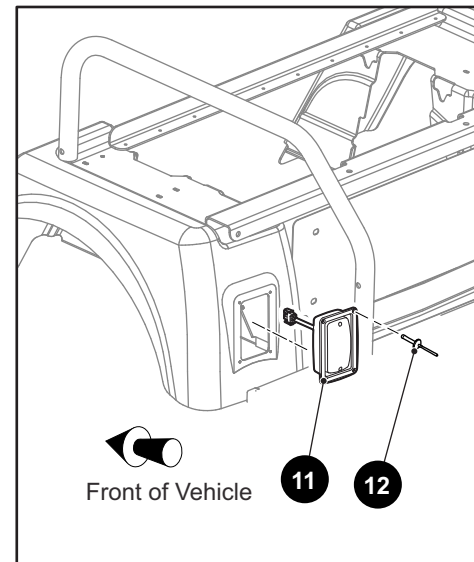
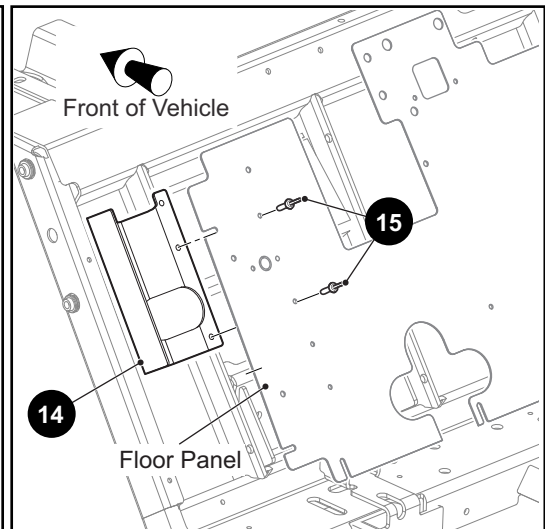
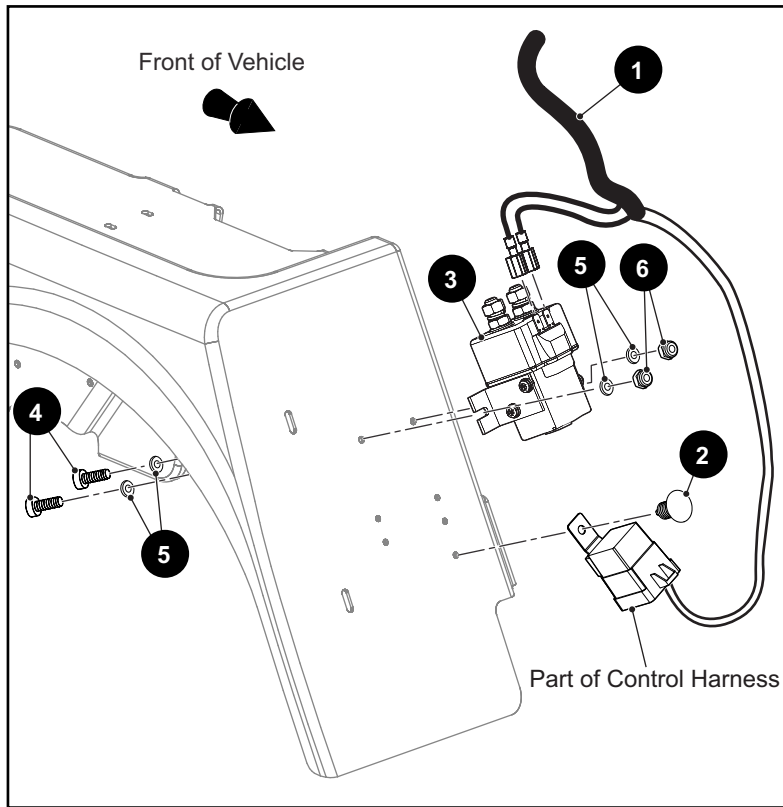
THE USE OF NON U.L. PARTS WILL VOID ANY U.L. LISTING.

When ordering parts, please specify the model and serial number of the product.

* Indicates a component that is not available as an individual part.

*** Indicates consult Customer Service Department for additional information.

ITEM	PART NO.	1 2 3 4 5	DESCRIPTION	QTY.
1	651698G01		Front Grille with Light Assembly (Includes Items 3 - 4, 6)	1
2				
3	648564		Front Grille	1
4	651437		Lens Cover	2
5				
6	651411G01		Headlight	1
7	71597G01		Self Threading Nut, .226"	9
8	660162		Cover Receptacle.....	1
9	658089		Charger Receptacle Assembly (Includes Items 10 - 11)	1
10	658956		Charger Harness	1
11	663285		Charging Receptacle	1
12	71055G01		Black Aluminum Rivet, 3/16" x .38" Grip.....	4
13	71781G02		Vinyl Tape.....	2
14				
15	652987G04		Gauge Panel	1
16	602184		Clip	2
17	649803		Pan Head Torx Screw, M6 - 2.65 x 25mm Lg.....	2
18	71078G01		12V Power Outlet.....	1
19	627035		Panel Plug.....	1
20	668037		Locking Rocker Switch.....	1
21	651897G05		Light Switch.....	1
22	651897G06		Speed Switch	1
23	609692		Key-switch and Key Set Assembly (Unique).....	1
24				
25	631656		State of Charge Meter.....	1
26				
27	71055G01		Black Aluminum Rivet, 3/16" x .38" Grip	2
28	696583		Wire Assembly, 18 AWG (Not Illustrated).....	1



THE USE OF NON U.L. PARTS WILL VOID ANY U.L. LISTING.

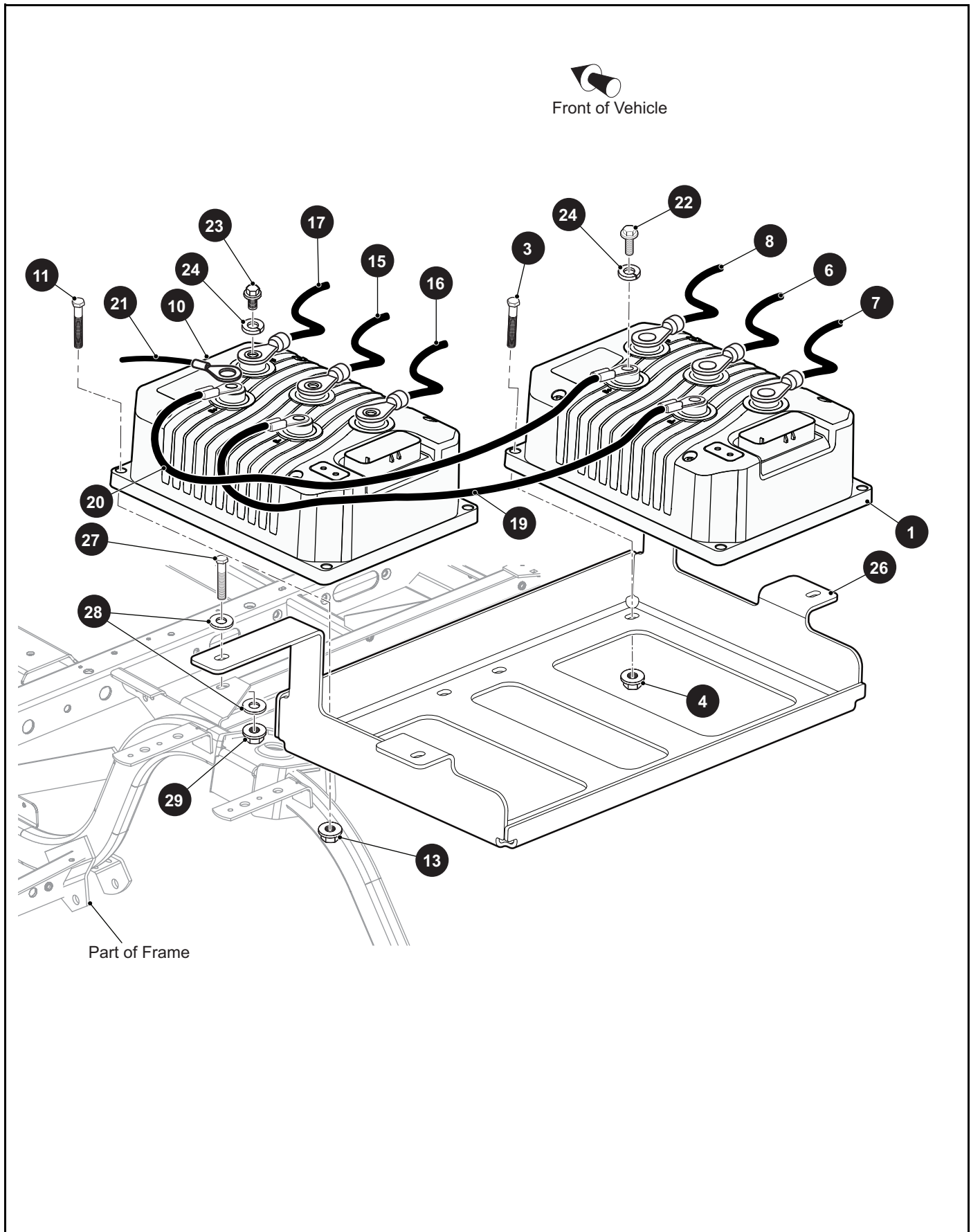
When ordering parts, please specify the model and serial number of the product.

* Indicates a component that is not available as an individual part.

*** Indicates consult Customer Service Department for additional information.

ITEM	PART NO.	1 2 3 4 5	DESCRIPTION	QTY.
1	671775		72V Off Road Control Harness	1
2	16816G2		Ratchet Rivet, .25" x .887"	1
3	655498G01		Contacto, 72V	1
4	800296		Pan Head Phillips Screw, #10 - 24 x 3/4" Lg.....	2
5	00660G5		Flat Washer, #10	4
6	14390G10		Lock Nut, #10 - 24.....	2
7				
8	633778		DC/DC Converter, 72V (Includes Item 9)	1
9	*		Hex Nut, 1/4" - 20	2
10	23726G11		Spacer, .30" Lg.....	2
11	629148		Taillight Assembly.....	1
12	71055G01		Rivet (Aluminum), 3/18" x .38" Grip	4
13				
14	629678		Wire Guide	1
15	71055G01		Rivet (Aluminum), 3/18" x .38" Grip	3
16				
17	668922		Winch Harness Kit (Includes Items 18 - 22).....	1
18	668276		Wire Assembly, 18AWG, #10 Ring, 1/4 Blade (Not Illustrated)	1
19	668277		Junction Block, #10 (Not Illustrated).....	1
20	668278		Red Cable, 6AWG	1
21	668279		Black Cable, 6AWG	1
22	671195		Adapter, FEM/FEM (Not Illustrated)	1

ELECTRONIC SPEED CONTROL



ELECTRONIC SPEED CONTROL

THE USE OF NON U.L. PARTS WILL VOID ANY U.L. LISTING.

When ordering parts, please specify the model and serial number of the product.

* Indicates a component that is not available as an individual part.

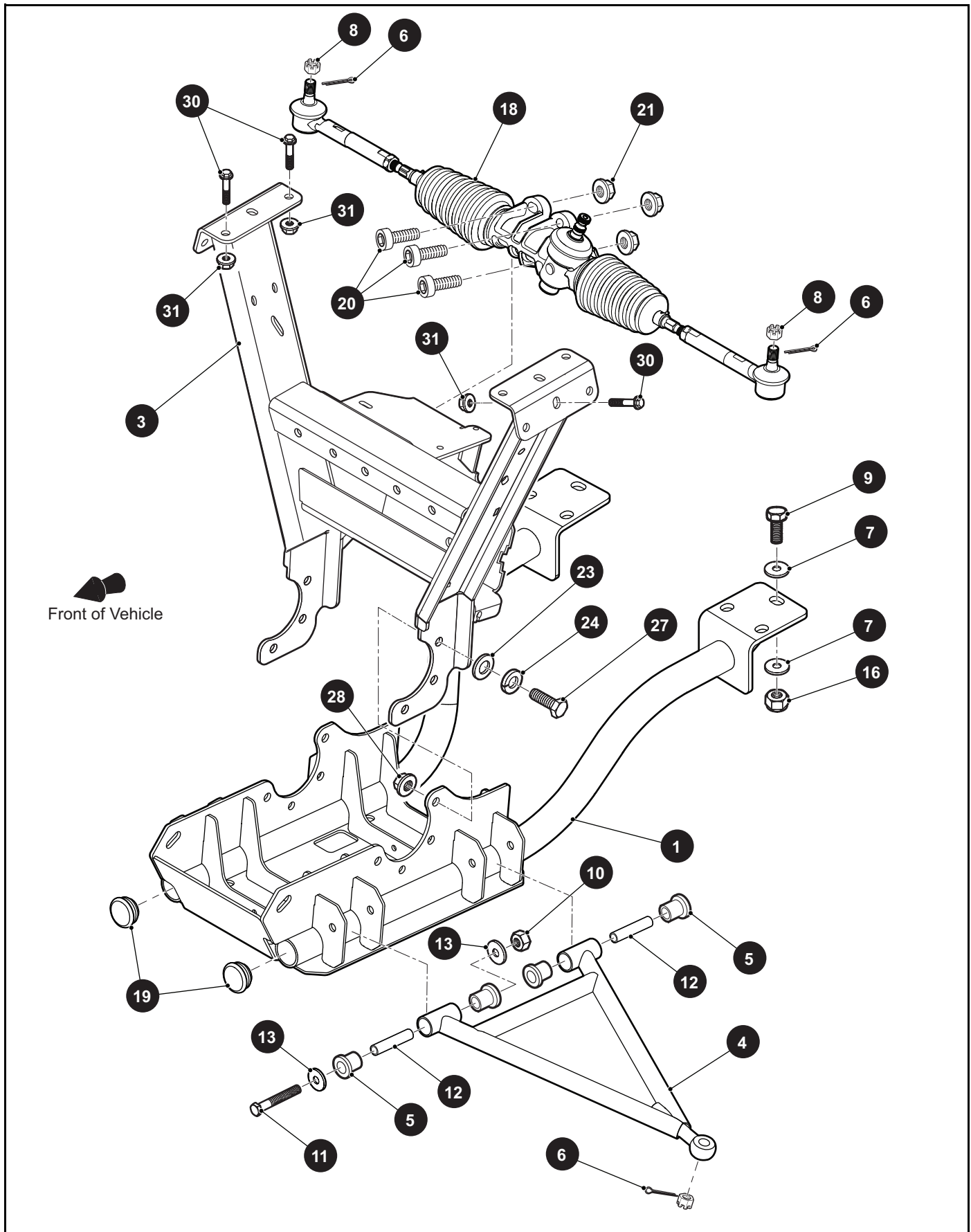
*** Indicates consult Customer Service Department for additional information.

ITEM	PART NO.	1 2 3 4 5	DESCRIPTION	QTY.
1	672599G007		Controller, 72V 4WD Off Road	1
2				
3	303459		Hex head bolt, 1/4" - 20 x 1.5" Lg, Grade 5	4
4	11027G2		Flanged Lock Nut, 1/4" - 20	4
5				
6	628665		Motor Wire, Rear (V)	1
7	628667		Motor Wire, Rear (W)	1
8	628668		Motor Wire, Rear (U)	1
9				
10	672599G007		Controller, 72V 4WD Off Road	1
11	303459		Hex Head Bolt, 1/4" - 20 x 1.5" Lg, Grade 5	4
12				
13	11027G2		Flanged Lock Nut, 1/4" - 20	4
14				
15	628669		Motor Wire, Front (V)	1
16	628670		Motor Wire, Front (W)	1
17	628671		Motor Wire, Front (U)	1
18				
19	628676		Control Wire (B- to Control B-)	1
20	628677		Control Wire (B+ to Control B+)	1
21	628680		Control Wire (B+ to Solenoid)	1
22	606264		Flanged Hex Head Bolt, M6 - 1 x 20mm Lg	4
23	73876G01		Flanged Hex Head Bolt, M6 - 1 x 12mm Lg	6
24	606272		Lock Washer, 8mm	10
25				
26	683325		Controller Bracket	1
27	302288		Hex Head Bolt, 1/4" - 20 x 1" Lg, Grade 5	4
28	00642G7		Flat Washer, 1/4"	8
29	11027G2		Flanged Lock Nut, 1/4" - 20	4

Notes:

A large, empty grid of graph paper consisting of 25 columns and 25 rows of small squares, intended for taking notes.

FRONT SUSPENSION AND STEERING



FRONT SUSPENSION AND STEERING

THE USE OF NON U.L. PARTS WILL VOID ANY U.L. LISTING.

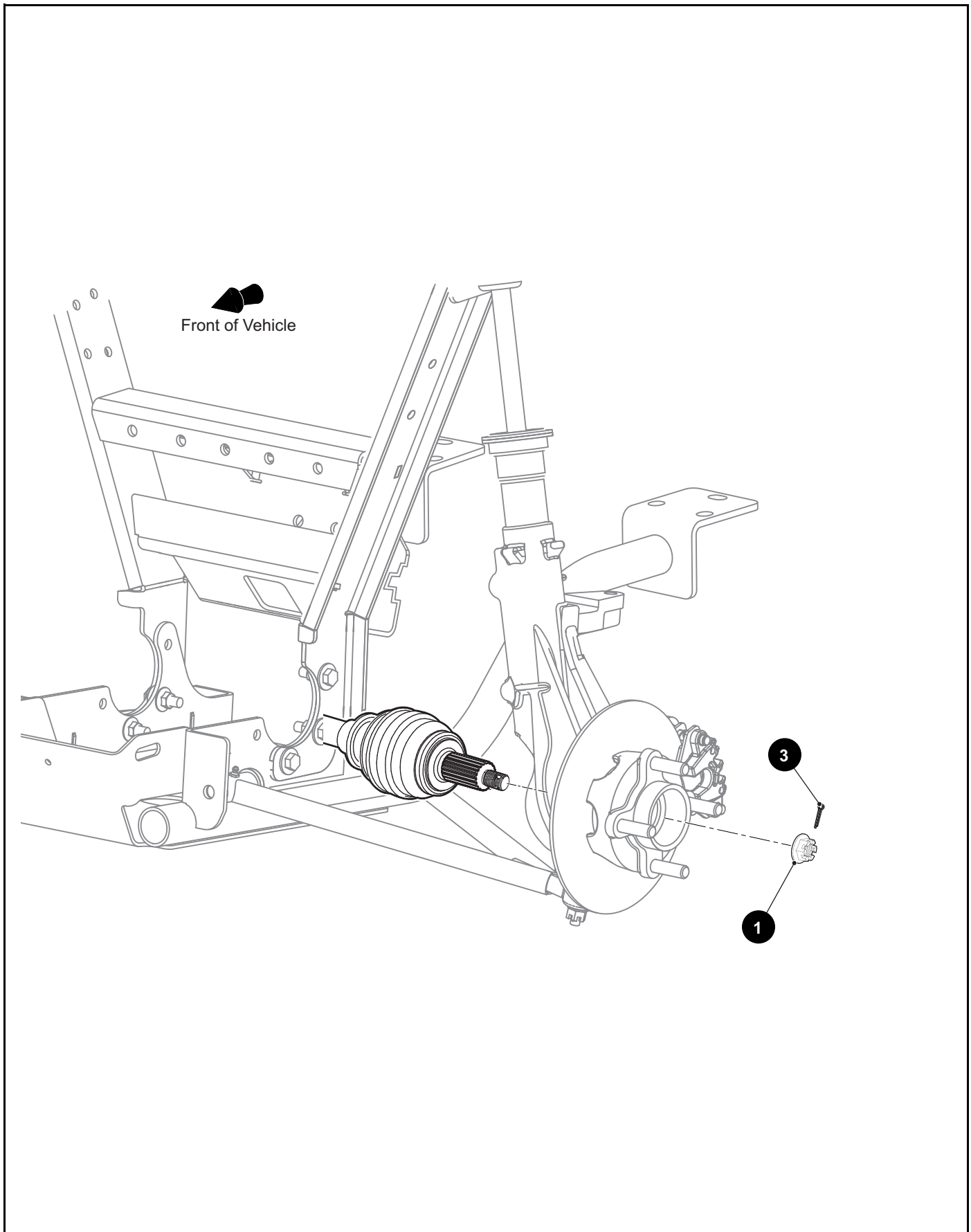
When ordering parts, please specify the model and serial number of the product.

* Indicates a component that is not available as an individual part.

*** Indicates consult Customer Service Department for additional information.

ITEM	PART NO.	1 2 3 4 5	DESCRIPTION	QTY.
1	637378		Front Powertrain Frame	1
2				
3	641999		Front Upper Suspension Weldment	1
4	638383G01		Control Arm Weldment	1
5	637745		Control Arm Bushing	4
6	10387G2		Cotter Pin, .094" x 1"	1
7	306982		Flat Washer, .34" x .92" x .06"	6
8	608005		Castle Nut, M12 - 1.25	1
9	00463G11		Hex Head Bolt, 7/16" - 14 x 1.5" Lg Grade 5	3
10	11098G5		Lock Nut, 3/8" - 16	2
11	00429G4		Hex Head Bolt, 3/8" - 16 x 3.5" Lg Grade 5	2
12	638223		Split Spacer, 3/8" x 2.390"	2
13	00560G1		Flat Washer, 3/8"	4
14				
15				
16	00734G1		Lock Nut, 7/16" - 14	3
17				
18	630988		Steering Rack with Spacer	1
19	628915		Tube Plug	2
20	630449		Socket Head Bolt, M10 - 1.5 x 45mm Lg	3
21	630450		Flanged Lock Nut, M10 - 1.5	3
22				
23	00571G3		Flat Washer, 5/16"	6
24	608654		Lock Washer, 10mm	6
25				
26				
27	306835		Hex Head Bolt, 3/8" - 16 x 1.25" Lg Grade 5	6
28	12262G1		Flanged Lock Nut, 3/8" - 16	6
29				
30	641289		Flanged Hex Head Bolt, 3/8" - 16 x 1" Lg Grade 8	6
31	11027G5		Flanged Lock Nut, 3/8" - 16	6

FRONT SUSPENSION AND STEERING



FRONT SUSPENSION AND STEERING

THE USE OF NON U.L. PARTS WILL VOID ANY U.L. LISTING.

When ordering parts, please specify the model and serial number of the product.

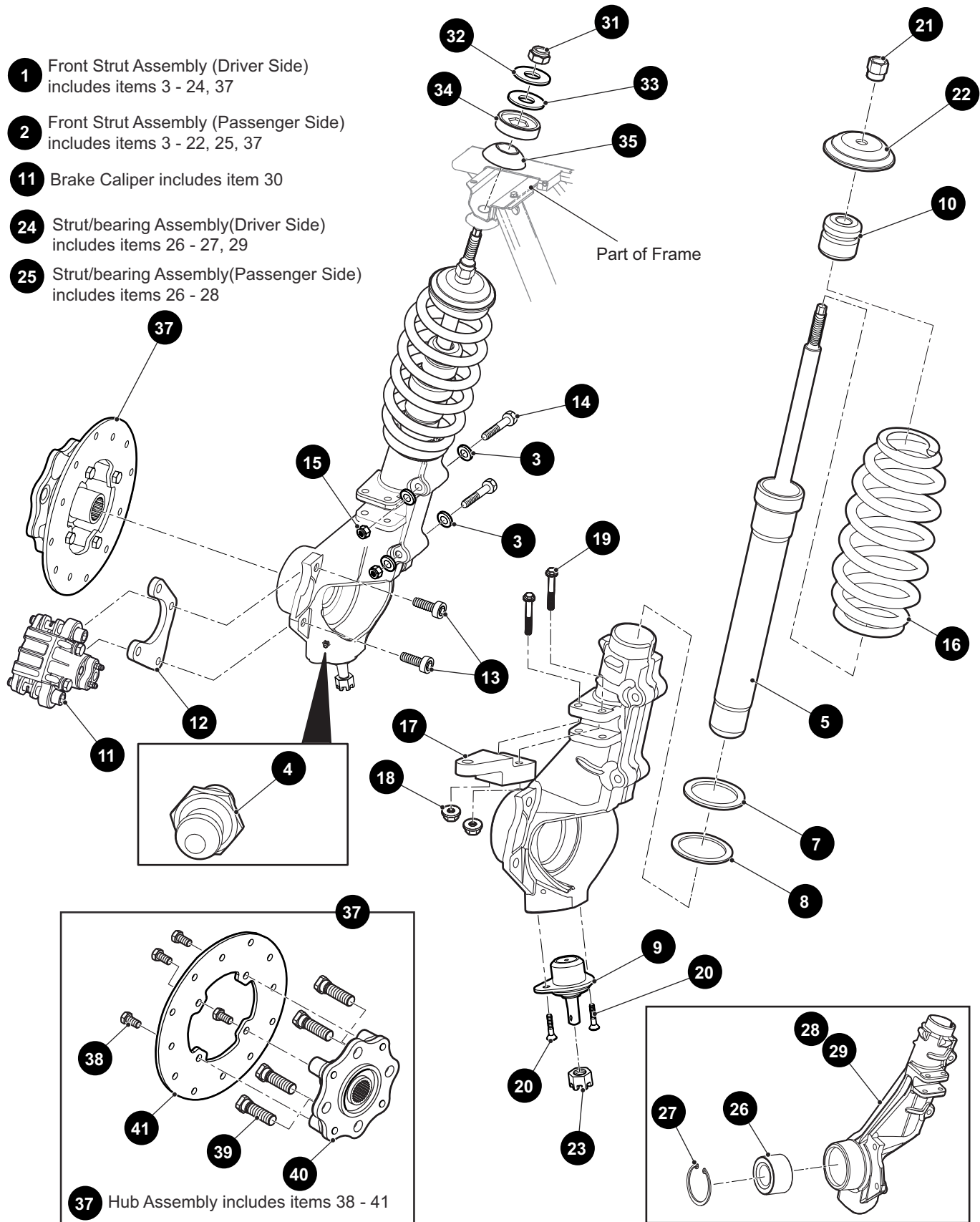
* Indicates a component that is not available as an individual part.

*** Indicates consult Customer Service Department for additional information.

ITEM	PART NO.	1 2 3 4 5	DESCRIPTION	QTY.
1	635491		Flanged Castle Nut, M16 - 1.5	1
2				
3	10387G1		Cotter Pin, .125" x 1.5"	1

FRONT SUSPENSION AND STEERING

- 1** Front Strut Assembly (Driver Side)
includes items 3 - 24, 37
- 2** Front Strut Assembly (Passenger Side)
includes items 3 - 22, 25, 37
- 11** Brake Caliper includes item 30
- 24** Strut/bearing Assembly(Driver Side)
includes items 26 - 27, 29
- 25** Strut/bearing Assembly(Passenger Side)
includes items 26 - 28



FRONT SUSPENSION AND STEERING

THE USE OF NON U.L. PARTS WILL VOID ANY U.L. LISTING.

When ordering parts, please specify the model and serial number of the product.

* Indicates a component that is not available as an individual part.

*** Indicates consult Customer Service Department for additional information.

ITEM	PART NO.	1 2 3 4 5	DESCRIPTION	QTY.
1	640501G01		Front Strut Assembly (Driver Side) (Includes Items 3 - 24, 37).....	1
2	640501G02		Front Strut Assembly (Passenger Side) (Includes Items 3 - 23, 25, 37)	1
3	103867		Flat Washer, .31" x .69" x .06"	2
4	632405		Grease Fitting, 3/16" Straight Drive	1
5	634705		Shock Strut.....	1
6				
7	616053		Flat Washer, 2"	1
8	616060		Strut Washer (Coil Spring), 52mm.....	1
9	645047		Strut Ball Joint	1
10	616073		Strut Bump Stop	1
11	638129		Brake Caliper (Includes Item 30)	1
12	616451		Caliper Mounting Bracket	1
13	616596		Socket Head Bolt, 3/8" - 24 x 3/4" Lg	2
14	616672		Hex Head Bolt, M8 - 1.25 x 60mm Lg	2
15	616673		Lock Nut, M8	2
16	618346		Coil Spring	1
17	626725		Steering Arm (Short).....	1
18	630803		Lock Nut, 5/16" - 18	2
19	630804G01		Flanged Hex Head Bolt, 5/16" - 18 x 2" Lg	2
20	616597		Flat Head Socket Screw, 1/4" - 20 x 3/4" Lg.....	2
21	616056		Spring Retaining Nut, M12 - 1.25	1
22	634967		Coil Spring Cap	1
23	649714		Castle Nut, M10 - 1.25.....	1
24	642461G01		Strut Bearing (Driver Side) (Includes Items 26 - 27, 29).....	1
25	642461G02		Strut Bearing (Passenger Side) (Includes Items 26 - 28).....	1
26	633663		Wheel Bearing, 2.52" O.D x 1.37" I.D	1
27	632409		Snap Ring	1
28	632410G04		Strut Base (Passenger Side).....	1
29	632410G03		Strut Base (Driver Side)	1
30	633875		Brake Pads.....	2
31	625748		Nylock Nut, M12 - 1.25.....	1

FRONT SUSPENSION AND STEERING

THE USE OF NON U.L. PARTS WILL VOID ANY U.L. LISTING.

When ordering parts, please specify the model and serial number of the product.

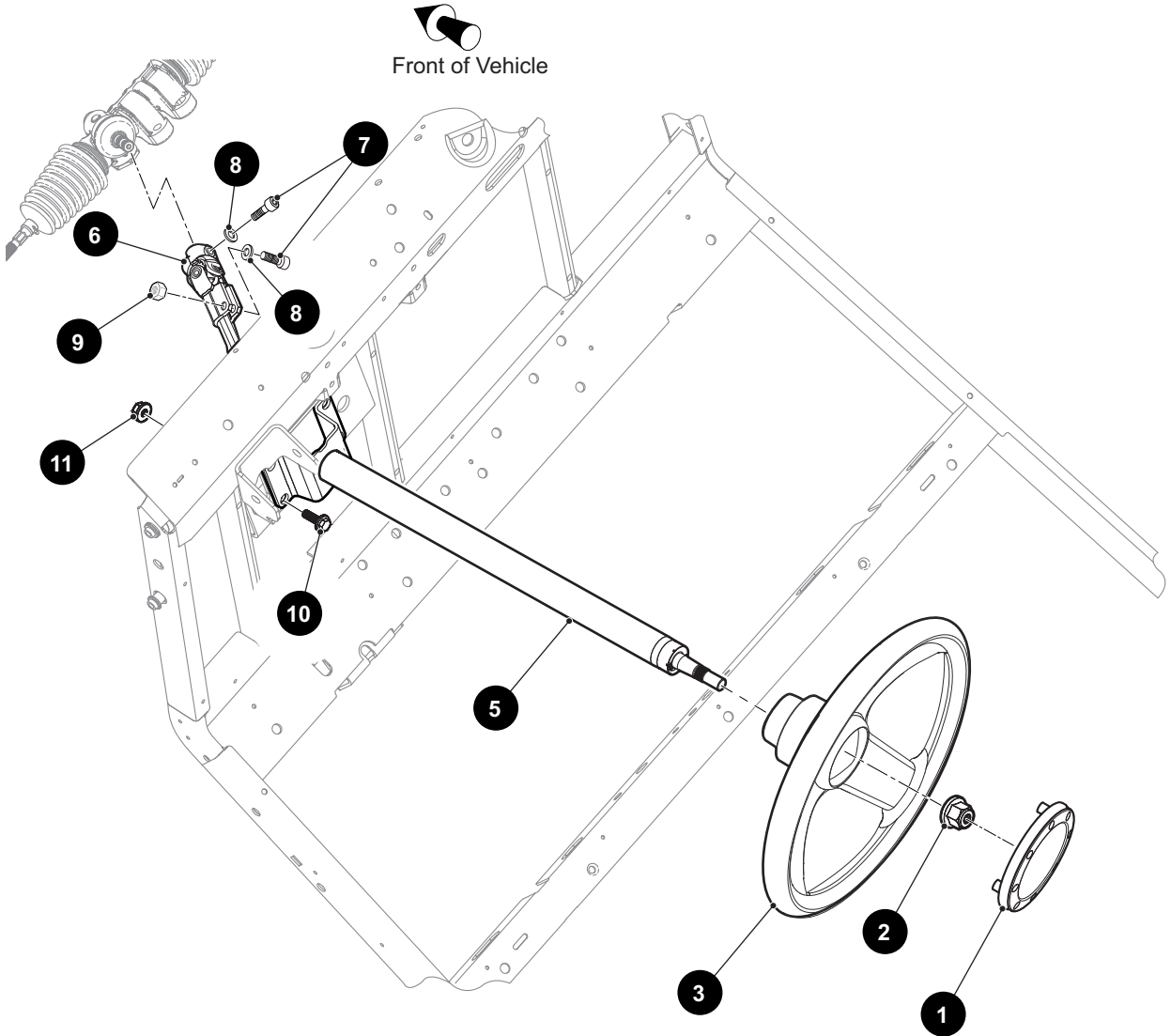
* Indicates a component that is not available as an individual part.

*** Indicates consult Customer Service Department for additional information.

ITEM	PART NO.	1 2 3 4 5	DESCRIPTION	QTY.
32	636610		Flat Washer, 3/8"	1
33	616701		Rubber Washer, 1.5mm x .76mm	1
34	629592		Strut Bushing (Female).....	1
35	629593		Strut Bushing (Male).....	1
36				
37	633792G02		Hub Assembly (Includes Items 38 - 41)	1
38	636096		Hex Head Bolt, M8 - 1.25 x 20mm Lg	4
39	19862G2		Wheel Hub Bolt, 1/2" - 20 x 1.718" Lg	4
40	632713G02		Hub	1
41	632714G01		Rotor (Cross Drilled).....	1

FRONT SUSPENSION AND STEERING

4 Steering Column Assembly includes items 5 - 9



FRONT SUSPENSION AND STEERING

THE USE OF NON U.L. PARTS WILL VOID ANY U.L. LISTING.

When ordering parts, please specify the model and serial number of the product.

* Indicates a component that is not available as an individual part.

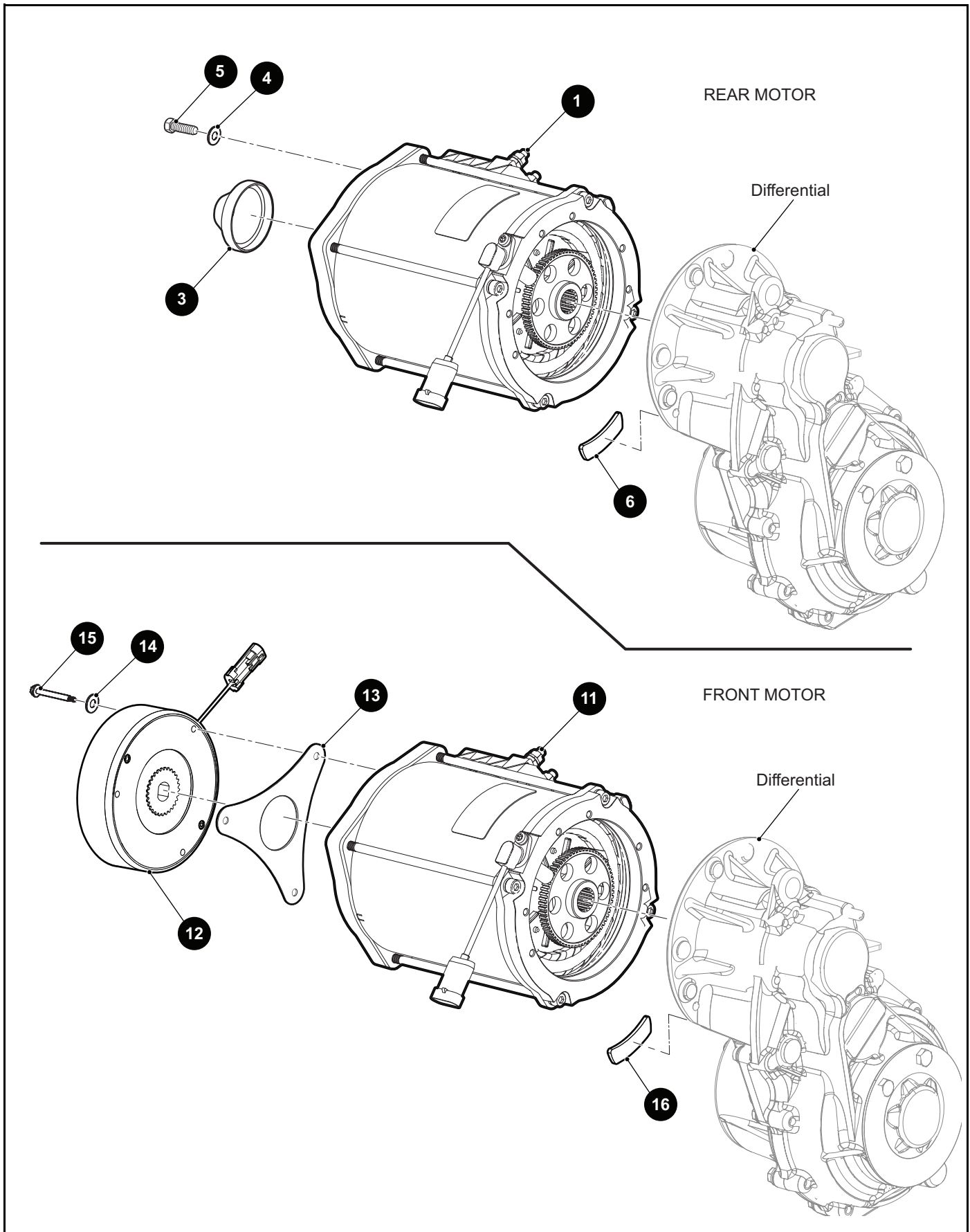
*** Indicates consult Customer Service Department for additional information.

ITEM	PART NO.	1 2 3 4 5	DESCRIPTION	QTY.
1	639439		Steering Wheel Cover.....	1
2	601709		Lock Nut, M16 - 2.....	1
3	639437		Steering Wheel	1
4	600333		Steering Column Assembly (Includes Items 5 - 9).....	1
5	608117		Steering Column.....	1
6	608114		Steering Yoke	1
7	608653		Socket Head Bolt, M10 - 1.5 x 35mm Lg.....	2
8	608654		Lock Washer, 10mm.....	2
9	608655		Hex Nut, M10 - 1.5	1
10	603799		Flanged Hex Head Bolt, M10 - 1.5 x 25mm Lg, Grade 8.8.....	4
11	600525		Flanged Lock Nut, M10 - 1.5.....	4

Notes:

A large rectangular area filled with a grid of small squares, intended for writing notes. The grid consists of 20 columns and 25 rows of squares.

MOTOR



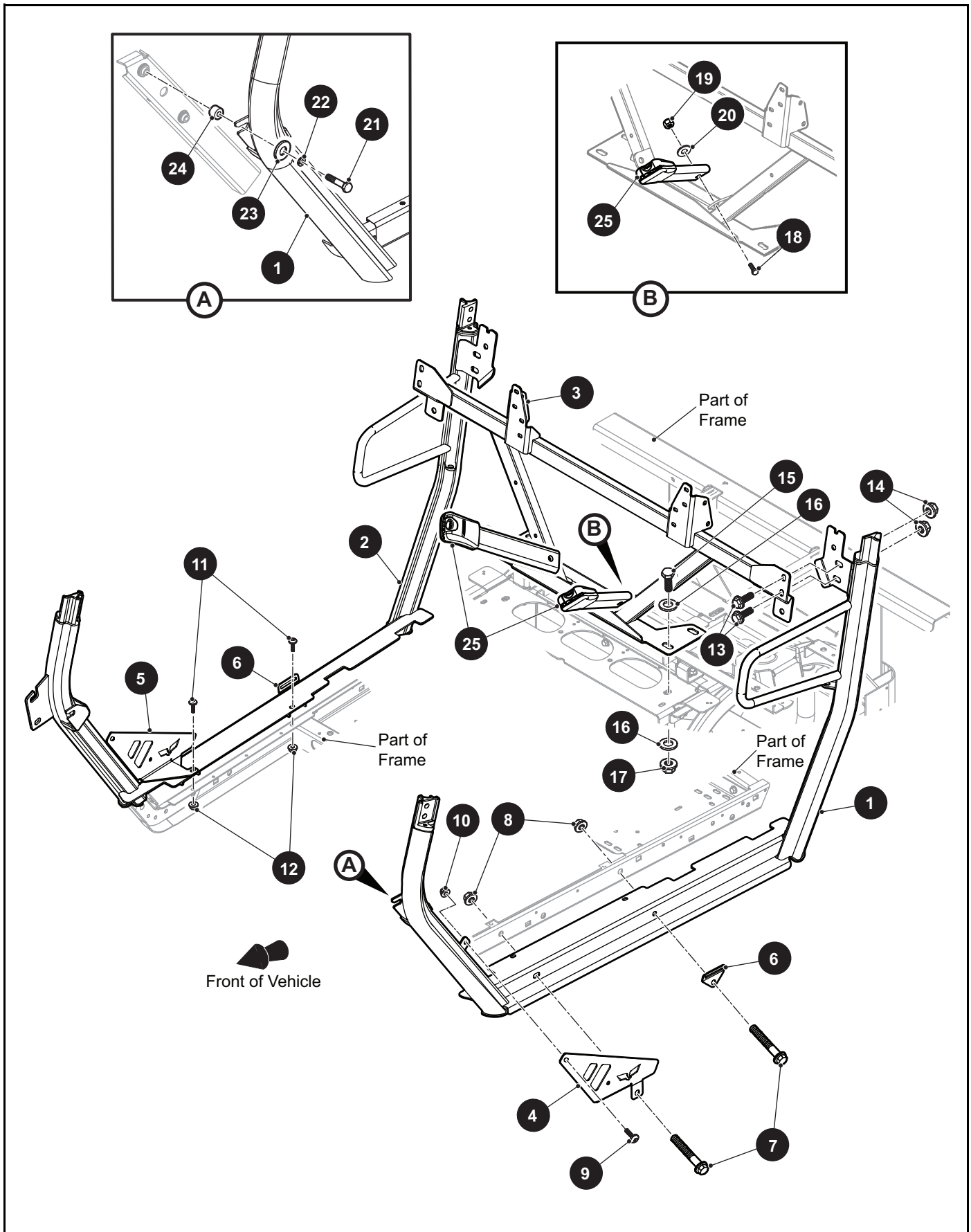
THE USE OF NON U.L. PARTS WILL VOID ANY U.L. LISTING.

When ordering parts, please specify the model and serial number of the product.

* Indicates a component that is not available as an individual part.

*** Indicates consult Customer Service Department for additional information.

ITEM	PART NO.	1 2 3 4 5	DESCRIPTION	QTY.
1	666987		Motor, 72V	1
2				
3	668275		End Cap	1
4	00915G1		Bonded Seal Washer	3
5	616716		Hex Head Bolt, M6 - 1 x 16mm Lg	3
6	658445		Differential Gasket.....	1
7				
8				
9				
10				
11	667277		Motor, 72V	1
12	655677		Sealed E - Brake	1
13	629597		Motor Cover Gasket	1
14	00915G1		Bonded Seal Washer	3
15	73715G01		Flanged Hex Head Bolt, M6 - 1 x 60mm Lg	3
16	658445		Differential Gasket.....	1



THE USE OF NON U.L. PARTS WILL VOID ANY U.L. LISTING.

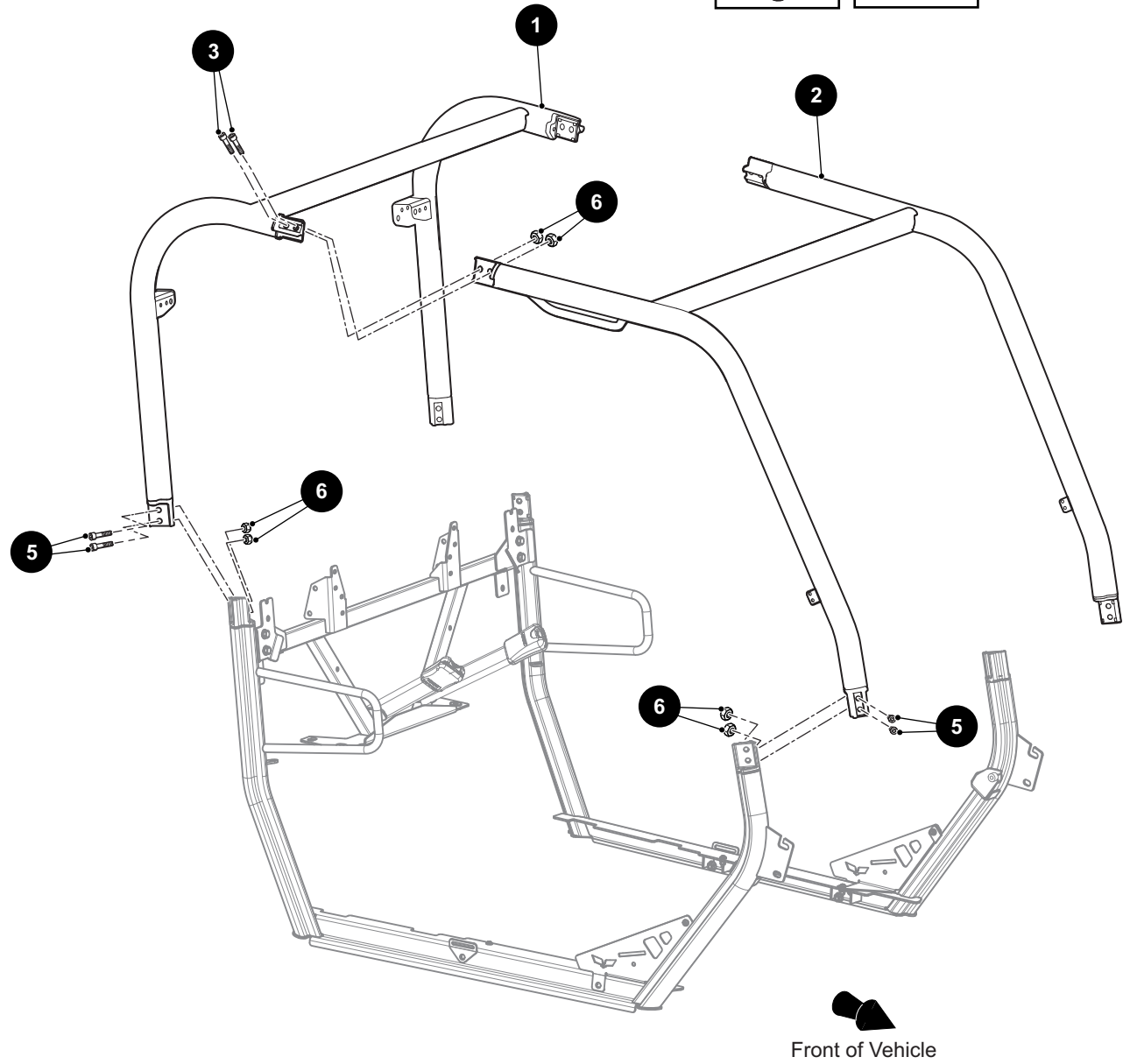
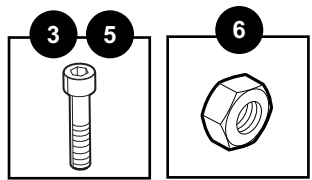
When ordering parts, please specify the model and serial number of the product.

* Indicates a component that is not available as an individual part.

*** Indicates consult Customer Service Department for additional information.

ITEM	PART NO.	1 2 3 4 5	DESCRIPTION	QTY.
1	666324G01		Lower Weldment (Driver Side).....	1
2	666324G02		Lower Weldment (Passenger Side)	1
3	666200		Seat Mounting Assembly.....	1
4	667883G01		Restraint Panel (Driver Side)	1
5	667883G02		Restraint Panel (Passenger Side).....	1
6	667928		Lower Net Bracket.....	1
7	602415		Flanged Hex Head Bolt, M10 - 1.5 x 80mm Lg, Grade 12.9.....	1
8	600525		Flanged Lock Nut, M10 - 1.5.....	1
9	612635		Button Head Torx Bolt, M6 - 1 x 20mm Lg	1
10	601476		Lock Nut, M6 - 1.....	1
11	612635		Button Head Torx Bolt, M6 - 1 x 20mm Lg	2
12	601476		Lock Nut, M6 - 1.....	2
13	603799		Flanged Hex Head Bolt, M10 - 1.5 x 25mm Lg, Grade 8.8.....	4
14	600525		Flanged Lock Nut, M10 - 1.5.....	4
15	00427G2		Hex Head Bolt, 3/8" - 16 x 1.25" Lg, Grade 5	2
16	00643G1		Flat Washer, 3/8".....	4
17	11098G5		Lock Nut, 3/8" - 16	2
18	610753		Hex Head Bolt, 7/16" - 20 x 1" Lg, Grade 5	1
19	00734G3		Lock Nut, 7/16" - 20	1
20	00560G3		Flat Washer, 3/8".....	1
21	00439G6		Hex Head Bolt, 5/18" - 18 x 1.75" Lg, Grade 5	1
22	00565G8		Lock Washer, 5/16"	1
23	00675G1		Flat Washer, 3/8".....	1
24	75048G01		Spacer .328" x .75" x .50" Lg	1
25	631973		Buckle and Bracket Assembly.....	1

4 Upper Hardware Kit includes items 5 - 6



THE USE OF NON U.L. PARTS WILL VOID ANY U.L. LISTING.

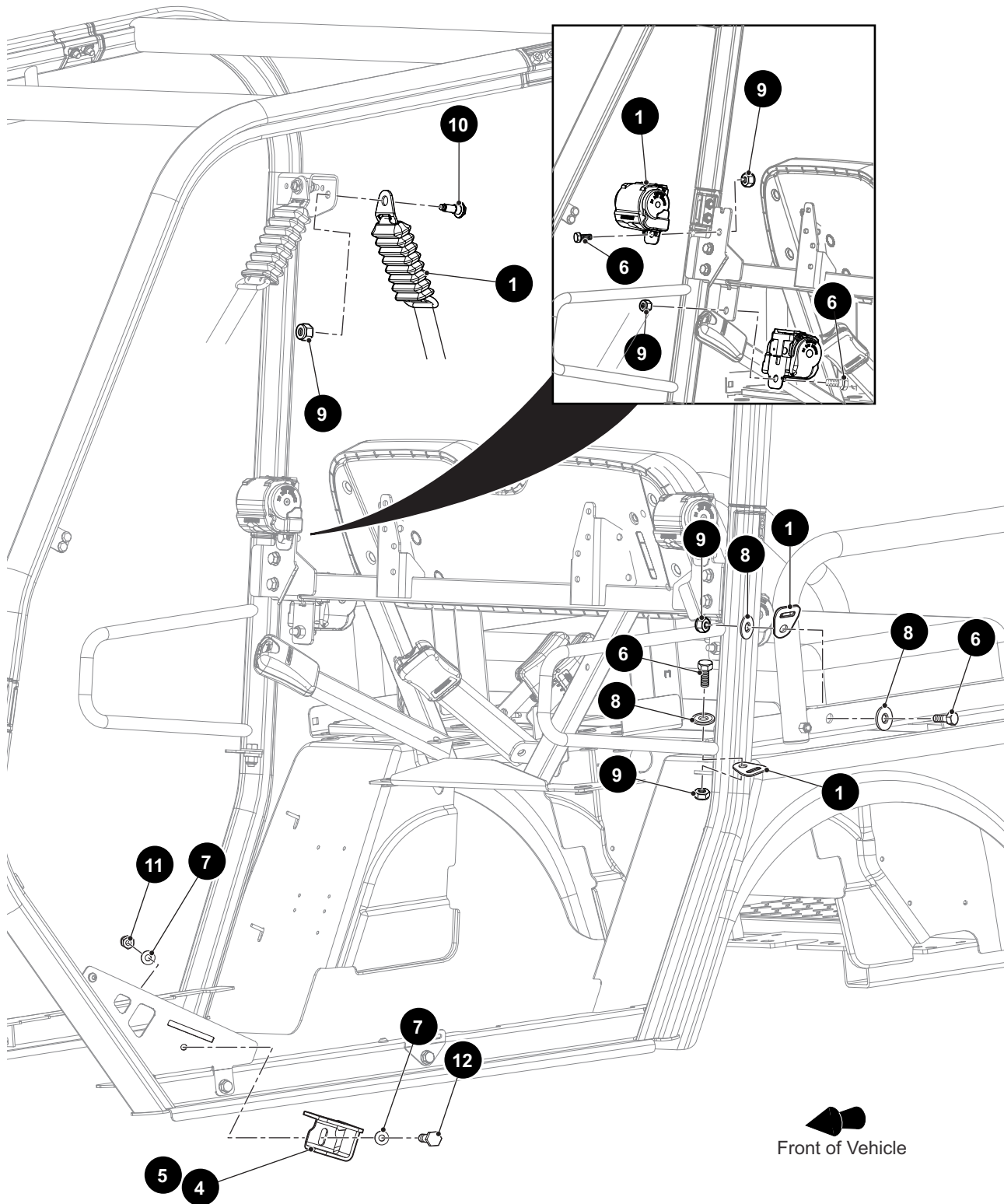
When ordering parts, please specify the model and serial number of the product.

* Indicates a component that is not available as an individual part.

*** Indicates consult Customer Service Department for additional information.

ITEM	PART NO.	1 2 3 4 5	DESCRIPTION	QTY.
1	666355		Rear Upper Weldment	1
2	666354		Front Upper Weldment.....	1
3	630449		Socket Head Bolt, M10 - 1.5 X 45mm Lg.....	4
4	668186		Upper Hardware Kit (Includes Items 5 - 6).....	1
5	630449		Socket Head Cap Screw, M10 - 1.5 x 45mm Lg.....	8
6	616675		Lock Nut, M10 - 1.5	12

5 Hardware Kit includes items 6 - 12



THE USE OF NON U.L. PARTS WILL VOID ANY U.L. LISTING.

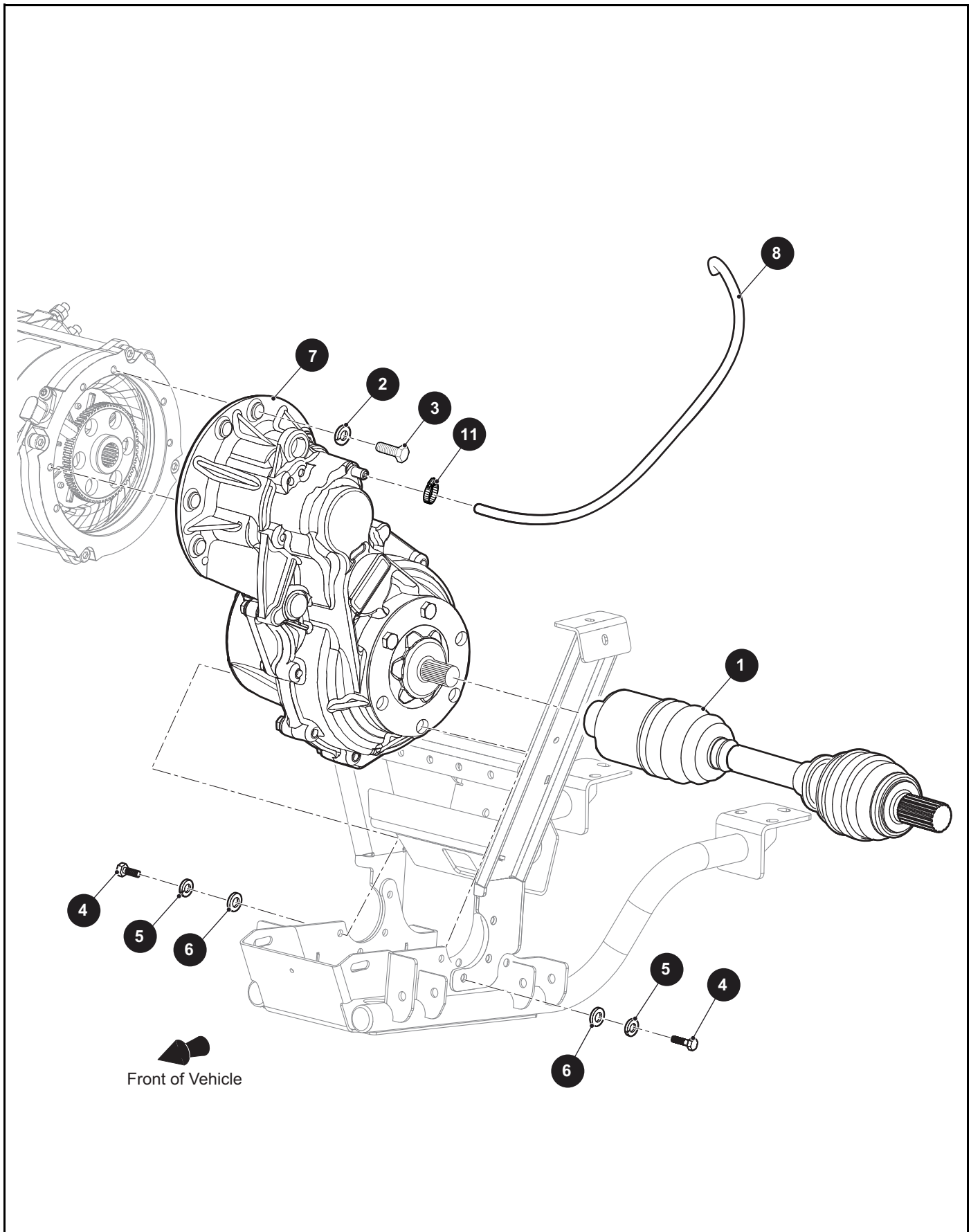
When ordering parts, please specify the model and serial number of the product.

* Indicates a component that is not available as an individual part.

*** Indicates consult Customer Service Department for additional information.

ITEM	PART NO.	1 2 3 4 5	DESCRIPTION	QTY.
1	649134		Seat Belt Retractor.....	4
2	651519		Front Door Net (Not Illustrated).....	1
3	660063G01		Side Bracket Weldment (Driver Side)	1
4	660063G02		Side Bracket Weldment (Passenger Side).....	1
5	667166		Hardware Kit (Includes Items 6 - 12).....	1
6	610753		Hex Head Bolt, 7/16" - 20 x 1" Lg.....	8
7	00559G7		Flat Washer, 1/4"	12
8	00643G1		Flat Washer, 3/8"	6
9	00734G3		Lock Nut,	12
10	609569		Seat Belt Bolt, 7/16" - 20 x 1.5" Lg	4
11	14390G4		Lock Nut, 1/4" - 20.....	6
12	302288		Hex Head Bolt, 1/4" - 20 x 1" Lg.....	6

FRONT AXLE



FRONT AXLE

THE USE OF NON U.L. PARTS WILL VOID ANY U.L. LISTING.

When ordering parts, please specify the model and serial number of the product.

* Indicates a component that is not available as an individual part.

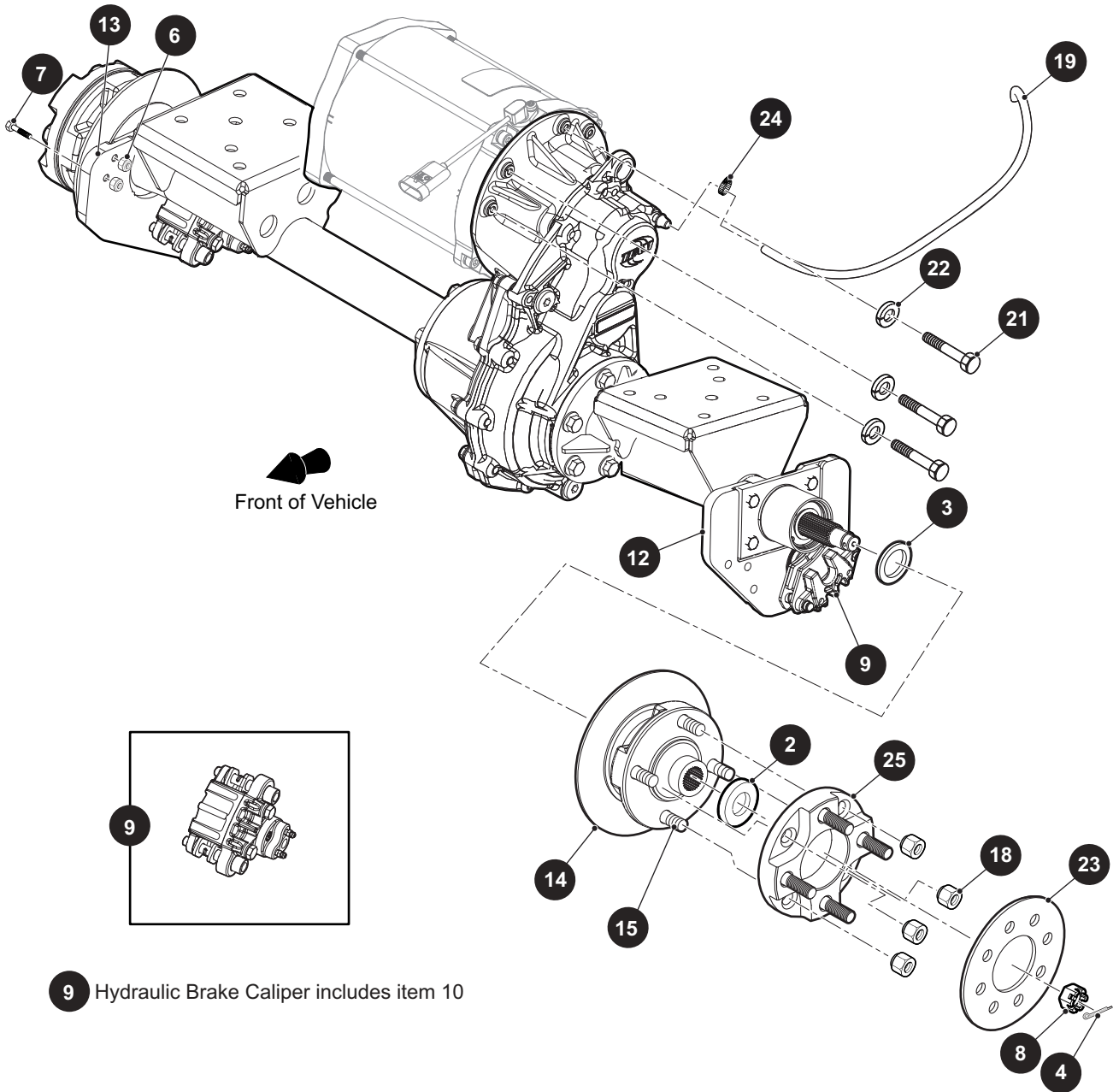
*** Indicates consult Customer Service Department for additional information.

ITEM	PART NO.	1 2 3 4 5	DESCRIPTION	QTY.
1	653033		CV Axle Assembly	2
2	601327		Lock Washer, 6mm	6
3	605741		Hex Head Bolt, M6 - 1 x 25mm Lg	6
4	306835		Hex Head Bolt, 3/8" - 16 x 1.25" Lg Grade 5	8
5	608654		Split Lock Washer, 10mm	8
6	00571G3		Flat Washer, 5/16"	8
7	629151		Independent Differential (Hardened Gears)	1
8	616705		Breather Hose	1
9	31539G1		Nylon Clamp, 15.5" (Not Illustrated)	1
10				
11	11391G4		Hose Clamp, .25" Dia	1

REAR AXLE

1 Rear Axle Differential Assembly includes items 2 - 14

14 Hub Assembly includes item 15



REAR AXLE

THE USE OF NON U.L. PARTS WILL VOID ANY U.L. LISTING.

When ordering parts, please specify the model and serial number of the product.

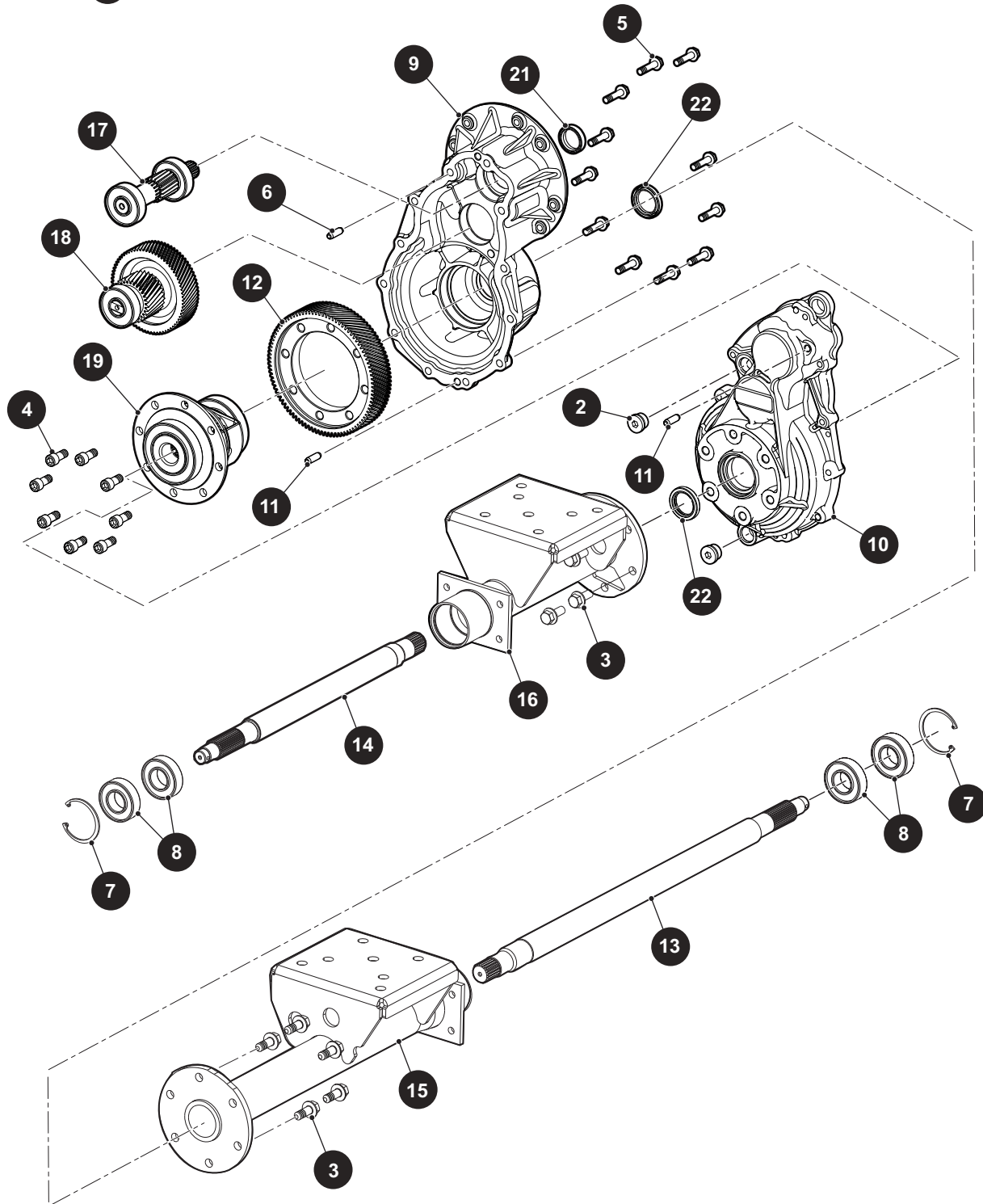
* Indicates a component that is not available as an individual part.

*** Indicates consult Customer Service Department for additional information.

ITEM	PART NO.	1 2 3 4 5	DESCRIPTION	QTY.
1	666300		Rear Axle Differential Assembly (Includes Items 2 - 14)	1
2	21830G1		Brake Drum Washer, .979" I.D. x 1.312" O.D.	2
3	21809G1		Flat Washer, .765" I.D. x 1.50" O.D. (Not Illustrated)	2
4	10387G1		Cotter Pin, .125" x 1.50"	2
5				
6	15126G1		Lock Nut, 5/16" - 24	4
7	17083G2		Hex Head Bolt, 5/16" - 24 x 1" Lg	4
8	613172		Castle Nut, 3/4" - 16	1
9	638129		Hydraulic Brake Caliper (Includes Item 10)	1
10	633875		Brake Pads (Not Illustrated)	2
11				
12	630989G01		Disc Brake Bracket (Driver Side)	1
13	630989G02		Disc Brake Bracket (Passenger Side)	1
14	617121		Hub Assembly (Includes Item 15)	1
15	614820		Wheel Stud	4
16				
17				
18	14723G1		Lug Nut, 1/2" - 20	8
19	616705		Breather Hose	1
20	31539G1		Nylon Clamp, 15.5" Lg (Not Illustrated)	1
21	605741		Hex Head Bolt, M6 - 1 x 25mm Lg	6
22	601327		Lock Washer, 6mm	6
23	631744		Wheel Spacer, 8 Holes	2
24	11391G4		Hose Clamp, .25" Dia	1
25	643076		Wheel Spacer with Studs	2

REAR AXLE

1 Differential Solid Axle includes items 2 - 22



THE USE OF NON U.L. PARTS WILL VOID ANY U.L. LISTING.

When ordering parts, please specify the model and serial number of the product.

* Indicates a component that is not available as an individual part.

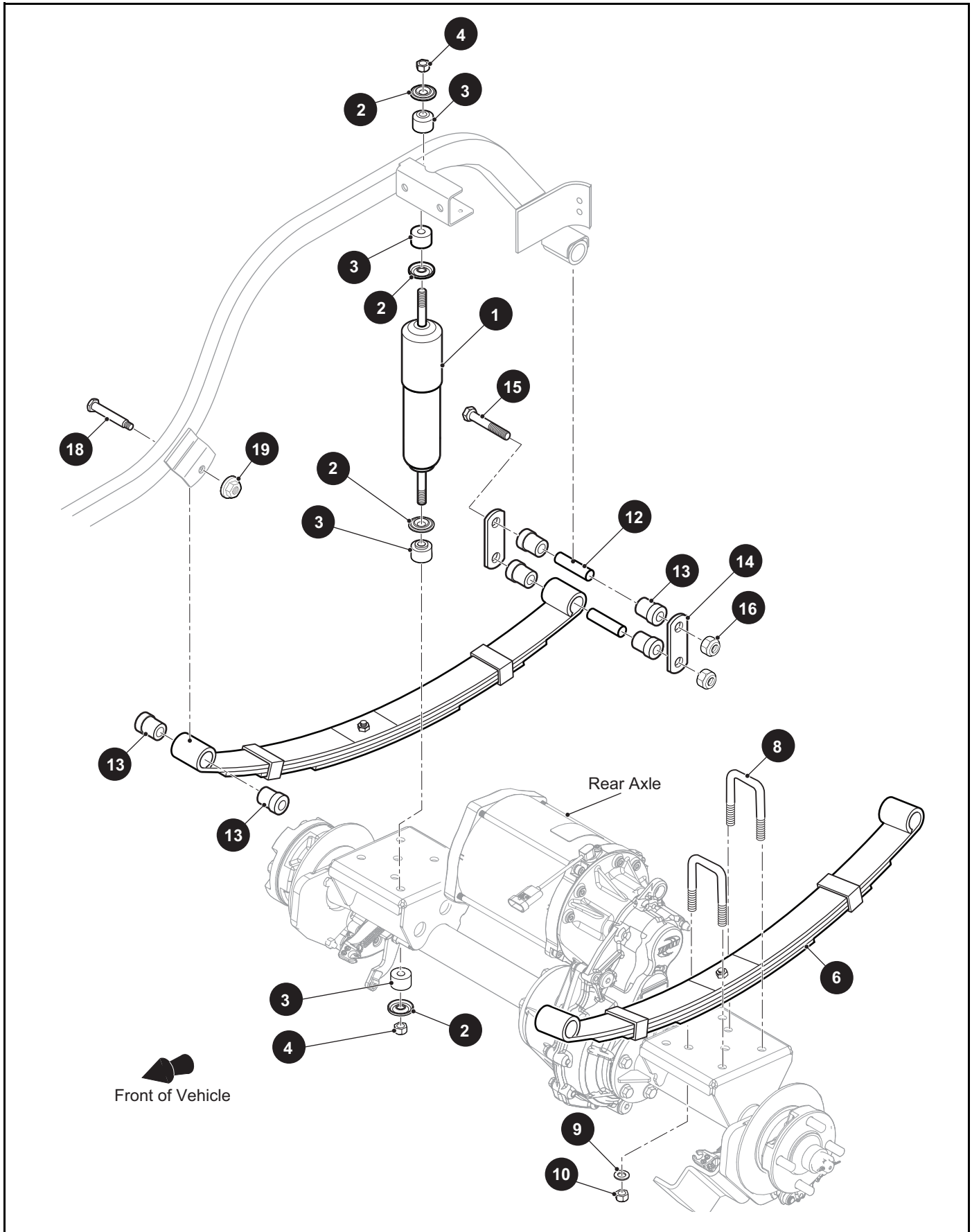
*** Indicates consult Customer Service Department for additional information.

ITEM	PART NO.	1 2 3 4 5	DESCRIPTION	QTY.
1	631165		Differential Solid Axle (Includes Items 2 - 22)	1
2	*		Hex Hollow Plug	2
3	*		Hex Head Bolt	12
4	*		Hex Head Bolt	8
5	*		Tapping Screw	12
6	*		Pin	2
7	*		Retaining Ring	2
8	*		Ball Bearing	4
9	*		Gear Case (Driver Side)	1
10	*		Gear Case (Passenger Side)	1
11	*		Vent Tube	1
12	*		Helical Output Gear	1
13	*		Axle Shaft (Driver Side)	1
14	*		Axle Shaft (Passenger Side)	1
15	*		Axle Tube Weldment (Driver Side)	1
16	*		Axle Tube Weldment (Passenger Side).....	1
17	*		Shaft Motor Input Subassembly	1
18	*		Intermediate Shaft Subassembly.....	1
19	*		Differential Subassembly	1
20	*		Vent Cap Plug (Not Illustrated)	1
21	*		Triple Lip Seal	1
22	*		Dual Lip Seal	2

Notes:

A large grid area for writing notes, consisting of approximately 30 columns and 30 rows of small squares.

REAR SUSPENSION



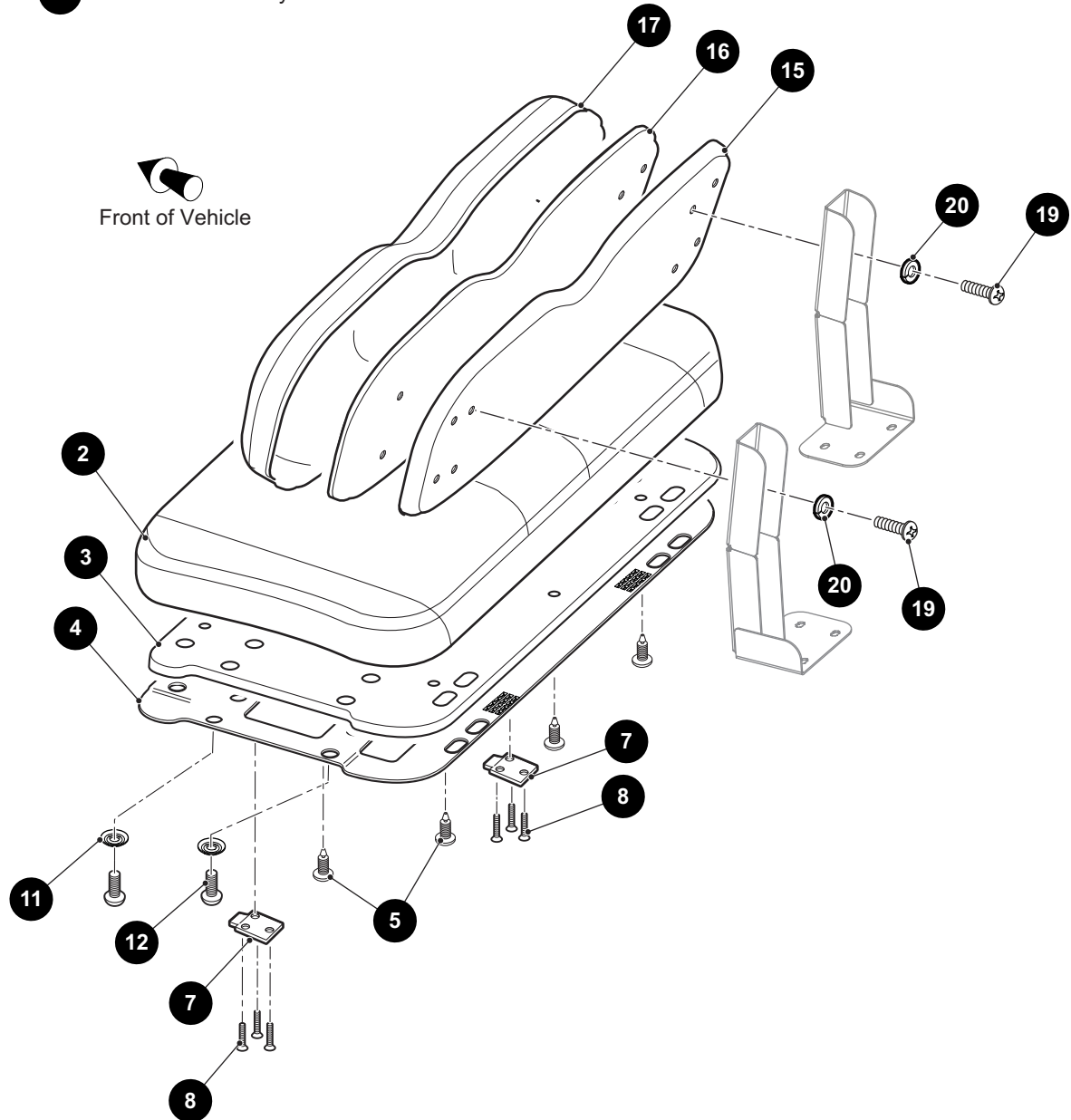
REAR SUSPENSION

THE USE OF NON U.L. PARTS WILL VOID ANY U.L. LISTING.
 When ordering parts, please specify the model and serial number of the product.
 * Indicates a component that is not available as an individual part.
 *** Indicates consult Customer Service Department for additional information.

ITEM	PART NO.	1 2 3 4 5	DESCRIPTION	QTY.
1	633674		Shock Absorber	2
2	634006		Shock Absorber Washer, .416" I.D. x 1.57" O.D.	4
3	634005		Rubber Bushing, .4" I.D. x 1.19" O.D. x .59"	4
4	606255		Hex Jam Nut, M10 - 1.25	2
5				
6	616098		Leaf Spring	2
7				
8	616321		U Bolt, M10 - 1.50 x 42.8mm Lg.....	2
9	306981		Flat Washer, .41" x .81" x .06"	4
10	616675		Lock Nut, M10 - 1.5	4
11				
12	620161		Split Spacer (Steel)	2
13	624030		Flanged Bushing, 21.8mm x 13.4mm x 23.7mm	6
14	652245		Shackle Plate	2
15	00665G9		Hex Head Bolt (SS), 3/8" - 16 x 3.5" Lg	2
16	11098G5		Lock Nut, 3/8" - 16.....	2
17				
18	14158G1		Shoulder Bolt, 3/8" - 16 x 2.75" Lg	1
19	12262G1		Flanged Lock Nut, 3/8" - 16.....	1

1 Seat Bottom Assembly includes items 2 - 12

14 Seat Back Assembly includes items 15 - 17



THE USE OF NON U.L. PARTS WILL VOID ANY U.L. LISTING.

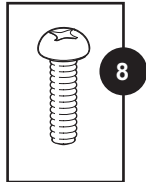
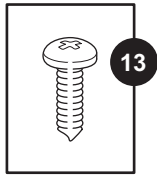
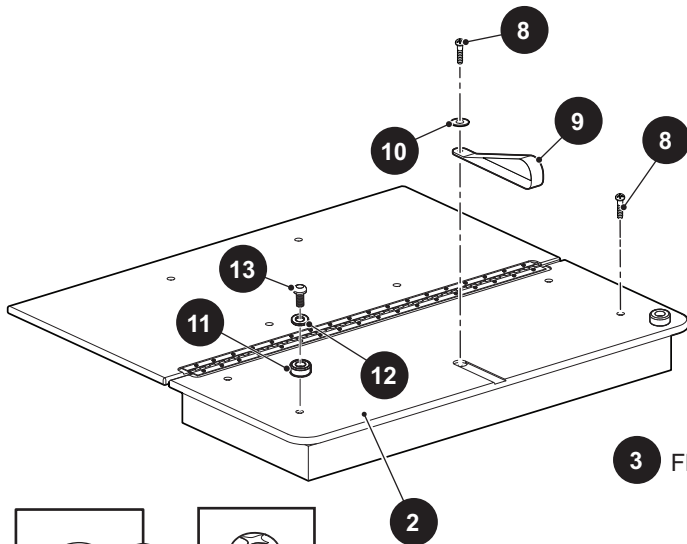
When ordering parts, please specify the model and serial number of the product.

* Indicates a component that is not available as an individual part.

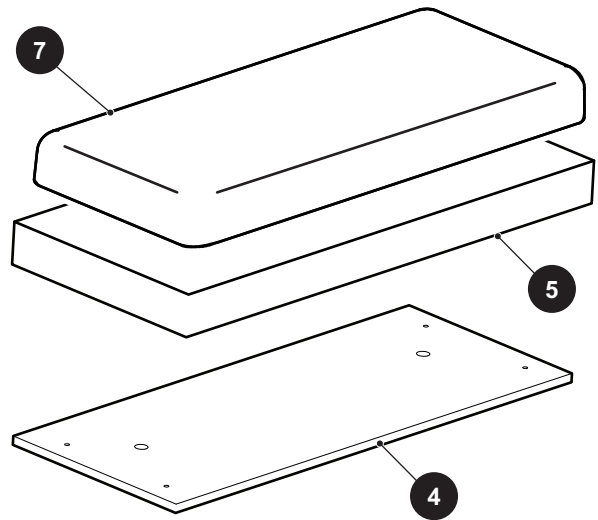
*** Indicates consult Customer Service Department for additional information.

ITEM	PART NO.	1 2 3 4 5	DESCRIPTION	QTY.
1	***		Seat Bottom Assembly (Includes Items 2 - 12) 629269G2406 Black	1
2	***		Vinyl And Foam Seat Bottom 644819G06 Black	1
3	644351		Wooden Base Assembly.....	1
4	602551		Cover Plate.....	1
5	16816G2		Ratchet Rivet, .25" x .887".....	4
6				
7	71610G01		Seat Hinge.....	1
8	00720G08		Flat Head Phillips Tapping Screw, #12 - 14 x 1" Lg.....	3
9				
10				
11	10435G1		Shock Absorber Washer, 1.25".....	4
12	615417		Button Head Torx Bolt, M10 - 1.5 x 25mm Lg.....	4
13				
14	***		Seat Back Assembly (Includes Items 15 - 17)..... 641897G0006 Black	1
15	605529		Cover (Plastic) (Black).....	1
16	644268		Base Assembly.....	1
17	***		Vinyl Cover And Foam 644820G06 Black	1
18				
19	16705G1		Truss Head Phillips Screw (SS), 1/4" - 20 x 1" Lg.....	4
20	00664G7		Lock Washer, 1/4".....	4

1 Flip Seat Bottom Assembly includes items 2 - 10



3 Flip Seat Bottom Assembly includes items 4 - 7



THE USE OF NON U.L. PARTS WILL VOID ANY U.L. LISTING.

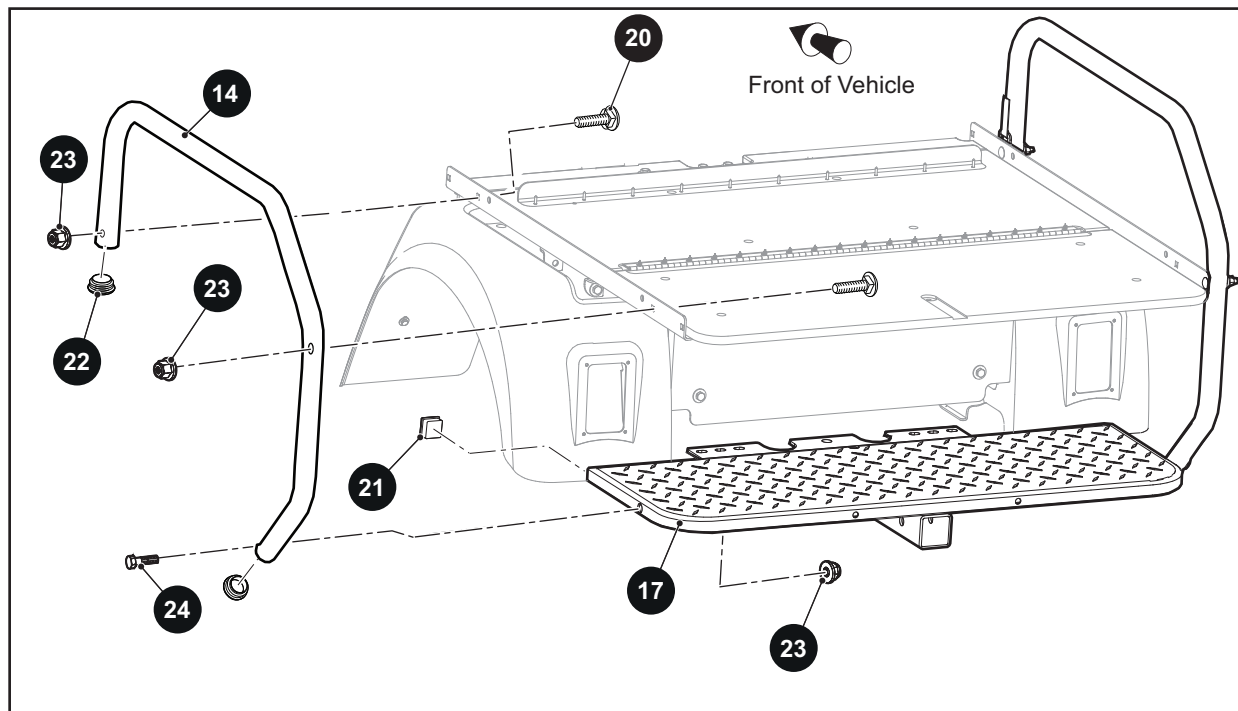
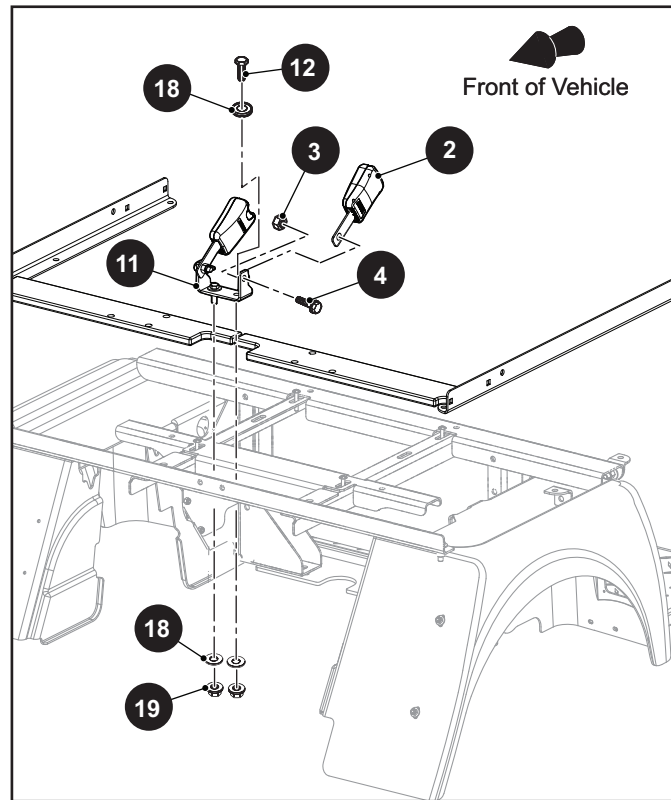
When ordering parts, please specify the model and serial number of the product.

* Indicates a component that is not available as an individual part.

*** Indicates consult Customer Service Department for additional information.

ITEM	PART NO.	1 2 3 4 5	DESCRIPTION	QTY.
1	615822		Flip Seat Bottom Assembly (Includes Items 2 - 10)	1
2	617137		Deck Board Assembly	1
3	621036		Flip Seat Bottom (Includes Items 4 - 7)	1
4	645820		Seat Bottom	1
5	617401		Seat Bottom Foam	1
6				
7	615648		Seat Bottom Vinyl.....	1
8	16705G1		Truss Head Phillips Screw (SS), 1/4" - 20 x 1" Lg	5
9	617402		Seat Strap.....	1
10	00559G7		Flat Washer, 1/4"	1
11	619756		Rubber Bumper.....	1
12	616671		Flat Washer, 8mm	1
13	800344		Truss Head Phillips Tapping Screw, #10 - 16 x 5/8" Lg.....	1

SEATING



THE USE OF NON U.L. PARTS WILL VOID ANY U.L. LISTING.

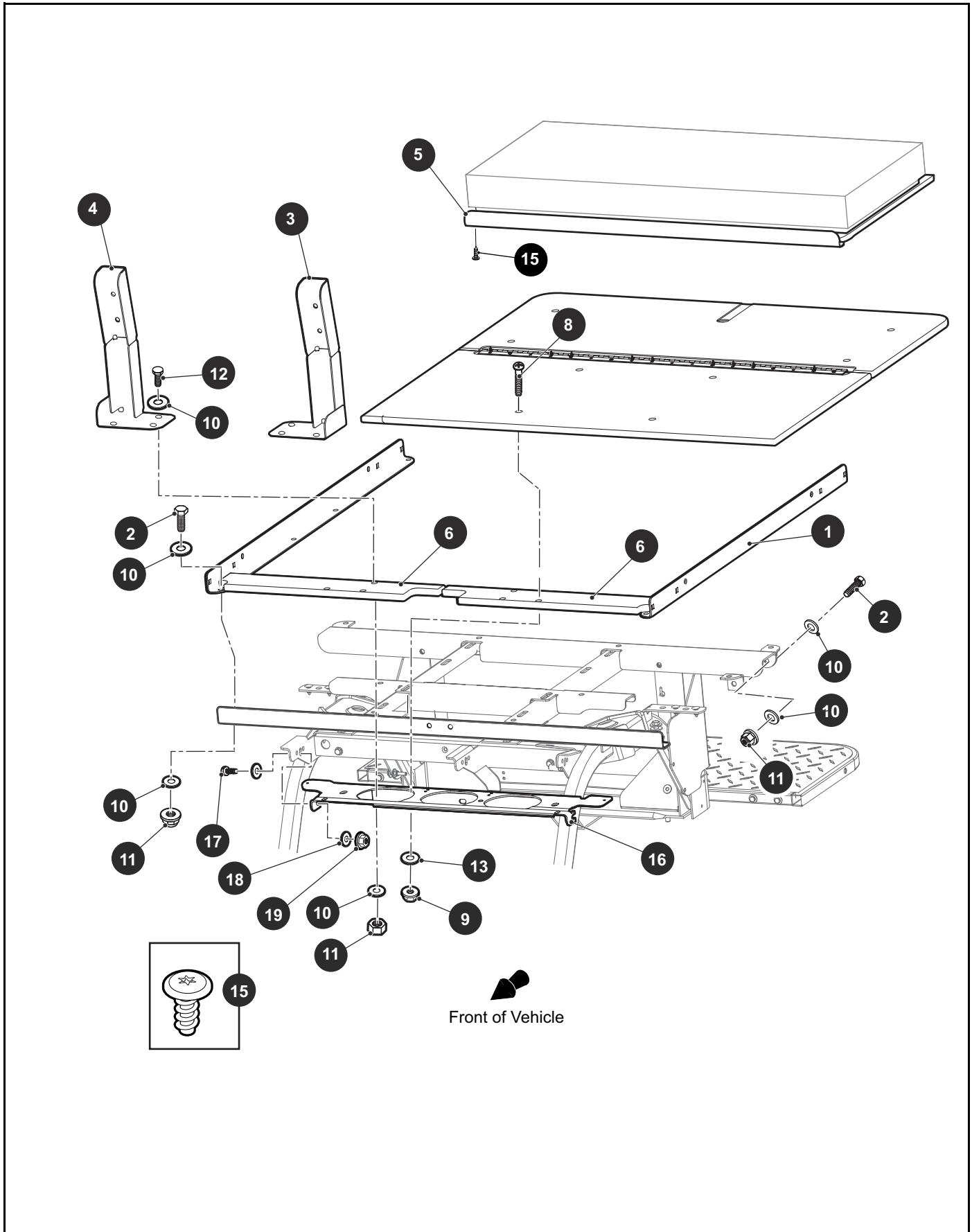
When ordering parts, please specify the model and serial number of the product.

* Indicates a component that is not available as an individual part.

*** Indicates consult Customer Service Department for additional information.

ITEM	PART NO.	1 2 3 4 5	DESCRIPTION	QTY.
1				
2	609854		Seat Belt Latch Buckle, 6".....	1
3	00734G3		Lock Nut, 7/16" - 20	1
4	610753		Hex Head Bolt, 7/16" - 20 x 1" Lg	1
5				
6				
7				
8				
9				
10				
11	609787		Rear Seat Belt Bracket.....	1
12	00427G2		Hex Head Bolt, 3/8" - 16 x 1.25" Lg, Grade 5	2
13				
14	629044		Flip Seat Armrest.....	1
15				
16				
17	632727		Footboard.....	1
18	00643G1		Flat Washer, 3/8".....	4
19	11098G5		Lock Nut, 3/8" - 16	2
20	630673		Carriage Bolt, 3/8" - 16 x 2.25" Lg.....	2
21	19853G1		Tube Cap	2
22	628915		Plug.....	2
23	630643		Flanged Lock Nut, 3/8" - 16	3
24	630674		Hex Head Bolt, 3/8" - 16 x 3.25" Lg	1

SEATING



THE USE OF NON U.L. PARTS WILL VOID ANY U.L. LISTING.

When ordering parts, please specify the model and serial number of the product.

* Indicates a component that is not available as an individual part.

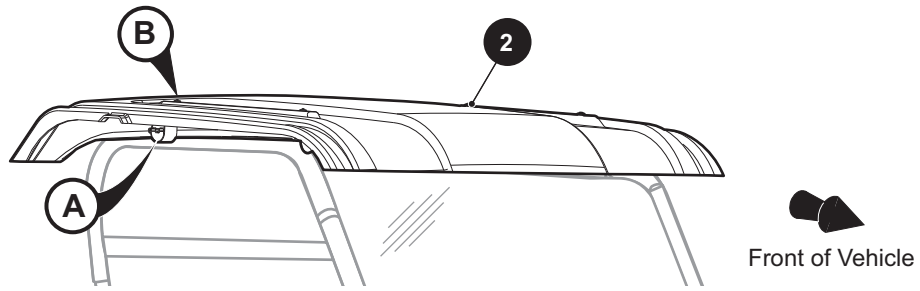
*** Indicates consult Customer Service Department for additional information.

ITEM	PART NO.	1 2 3 4 5	DESCRIPTION	QTY.
1	629358		Seat Frame	4
2	00427G2		Hex Head Bolt, 3/8" - 16 x 1.25" Lg, Grade 5	10
3	629050G01		Seat Back Bracket (Driver Side)	1
4	629050G02		Seat Back Bracket (Passenger Side).....	1
5	629112		Flip Seat Edge Reinforcement	1
6	629275		Deck Board Filler.....	2
7				
8	16705G5		Truss Head Phillips Screw (SS), 1/4" - 20 x 1.50" Lg.....	4
9	14390G4		Lock Nut, 1/4" - 20	4
10	00643G1		Flat Washer, 3/8".....	6
11	11098G5		Lock Nut, 3/8" - 16	6
12	00427G8		Hex Head Bolt, 3/8" - 16 x 2" Lg, Grade 5	6
13	01110G01		Flat Washer, 1/4".....	4
14				
15	71425G01		Tapping Screw, #8 - 18 x .75" Lg	10
16	71262G04		Seat Back Support	1
17	00438G8		Hex Head Bolt, 5/16" - 18 x 5/8" Lg, Grade 5	2
18	00642G8		Flat Washer, 5/16".....	4
19	11098G6		Lock Nut, 5/16" - 18	2

Notes:

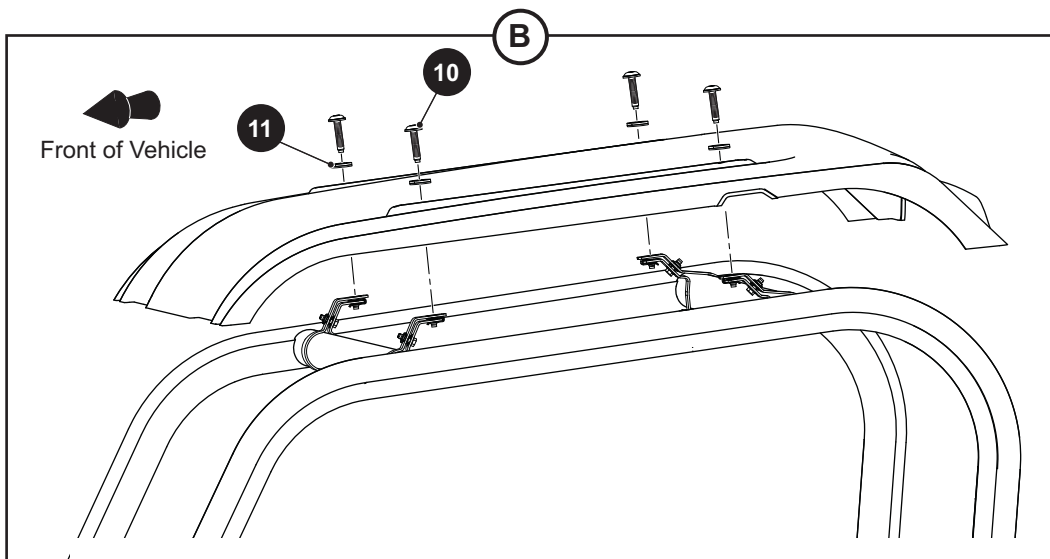
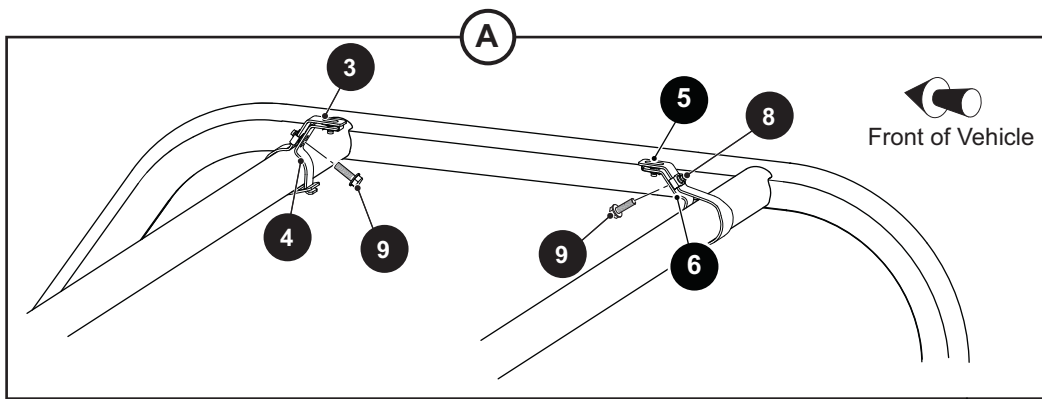
Large grid area for handwritten notes.

WEATHER PROTECTION



1 Canopy Top Kit includes items 2 - 7

7 Hardware Kit includes items 8 - 11



WEATHER PROTECTION

THE USE OF NON U.L. PARTS WILL VOID ANY U.L. LISTING.

When ordering parts, please specify the model and serial number of the product.

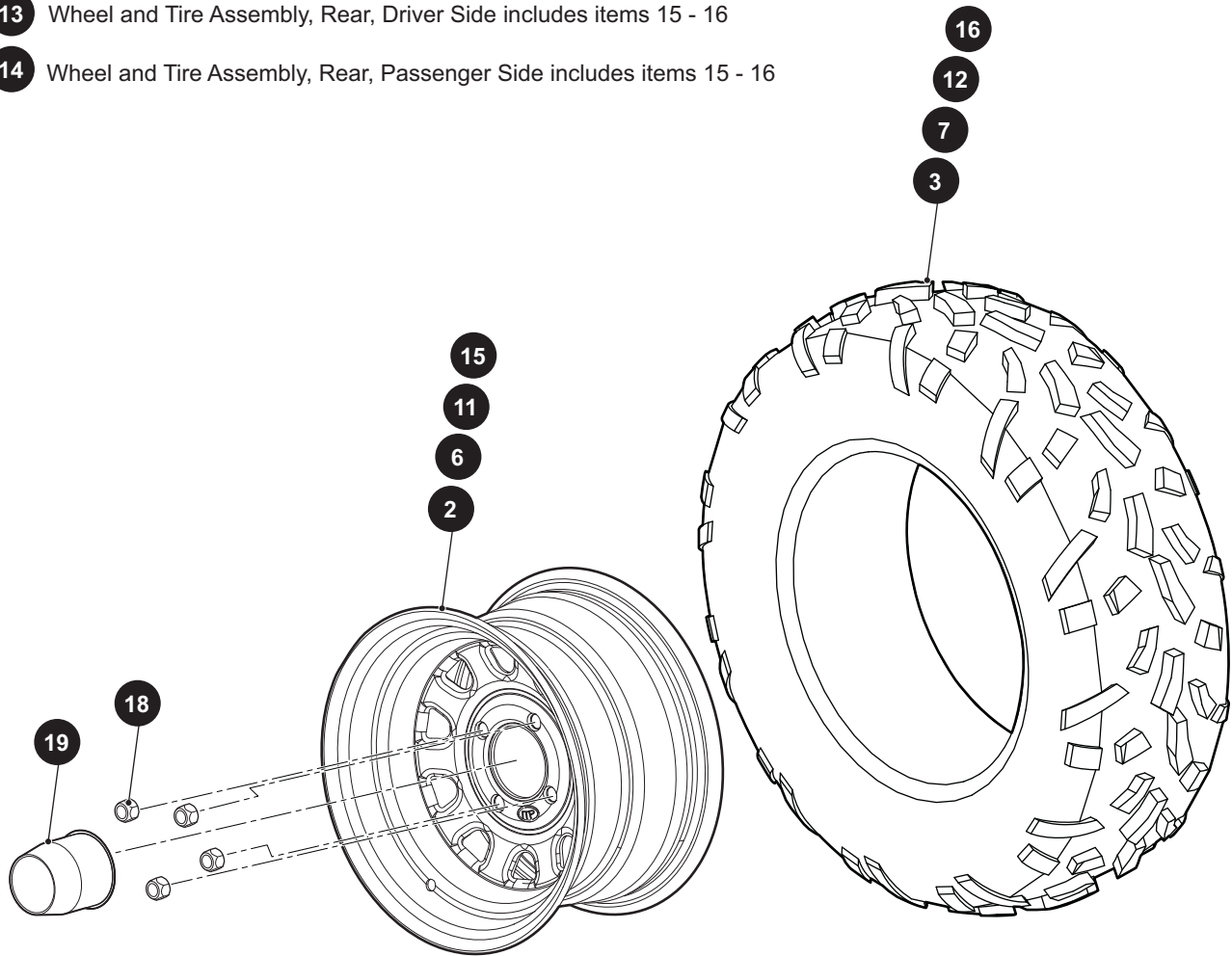
* Indicates a component that is not available as an individual part.

*** Indicates consult Customer Service Department for additional information.

ITEM	PART NO.	1 2 3 4 5	DESCRIPTION	QTY.
1	668077		Canopy Top Kit (Includes Items 2 - 7)	1
2	627077		Canopy Top	1
3	668116		Front Mounting Clamp	2
4	668126		Front Mounting Bracket	2
5	668129		Rear Mounting Clamp.....	2
6	668130		Rear Mounting Bracket.....	2
7	668729		Hardware Kit (Includes Items 8 - 11)	1
8	602409		Barrel Clip, M6	8
9	606264		Flanged Hex Head Bolt, M6 - 1x 20mm Lg	4
10	634161		Flanged Button Head Torx Bolt, M6 - 1 x 30mm Lg	4
11	00915G1		Bonded Seal Washer	4

WHEELS AND TIRES

- 1 Wheel and Tire Assembly, Front includes items 2 - 3
- 5 Wheel and Tire Assembly, Rear includes items 6 - 7
- 9 Wheel and Tire Assembly, Front, Driver Side includes items 11 - 12
- 10 Wheel and Tire Assembly, Front, Passenger Side includes items 11 - 12
- 13 Wheel and Tire Assembly, Rear, Driver Side includes items 15 - 16
- 14 Wheel and Tire Assembly, Rear, Passenger Side includes items 15 - 16



STYLE OF WHEELS & TIRES MAY
DIFFER FROM THOSE SHOWN

WHEELS AND TIRES

THE USE OF NON U.L. PARTS WILL VOID ANY U.L. LISTING.

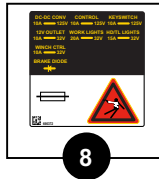
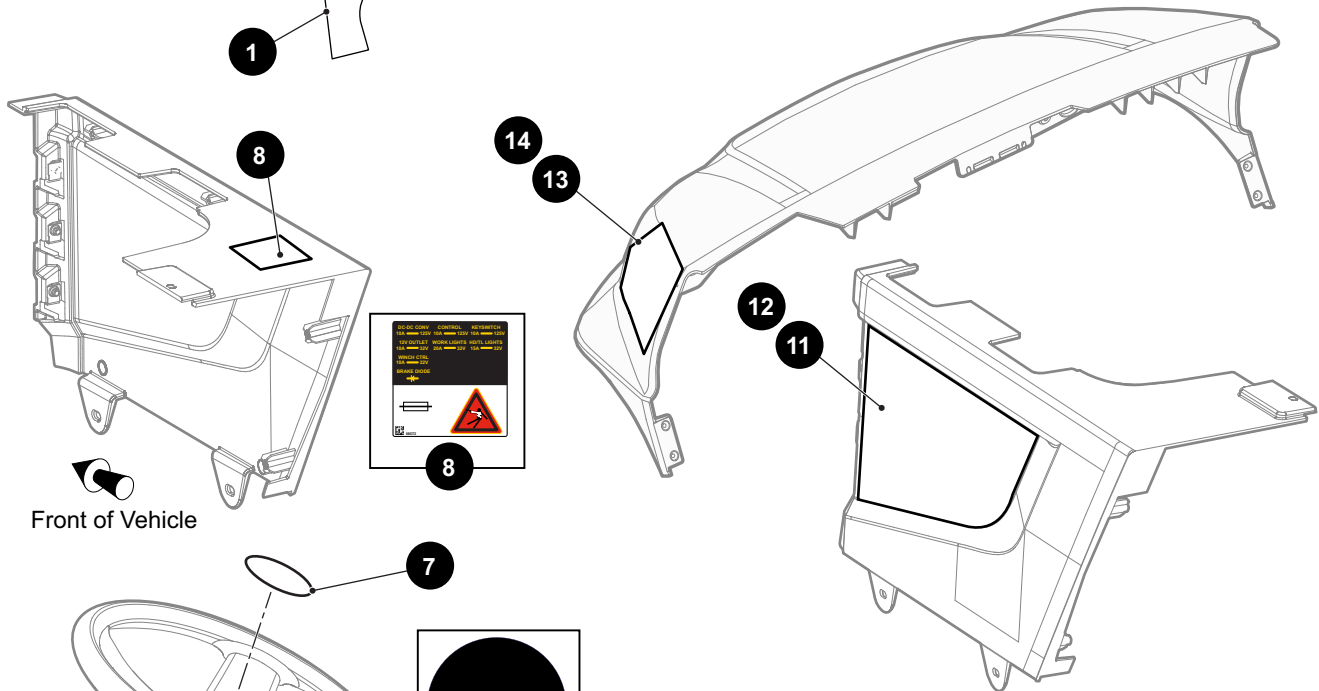
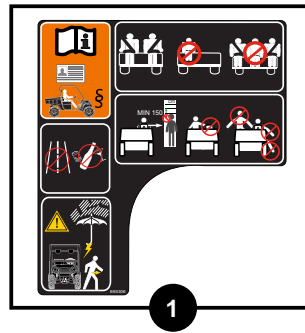
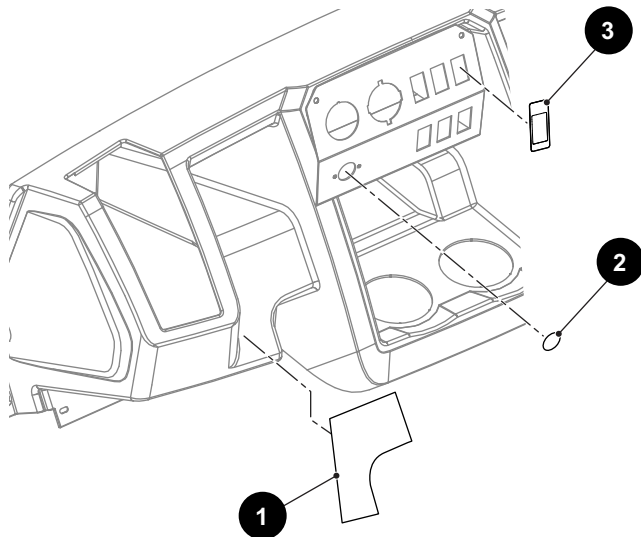
When ordering parts, please specify the model and serial number of the product.

* Indicates a component that is not available as an individual part.

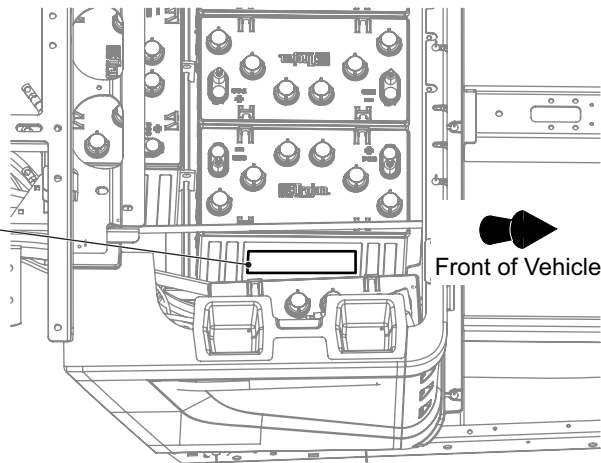
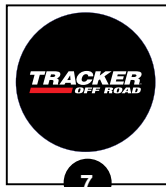
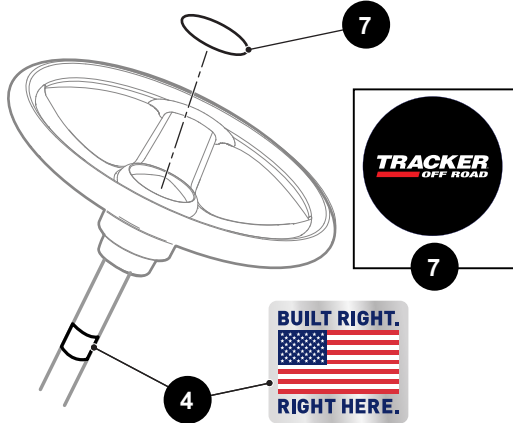
*** Indicates consult Customer Service Department for additional information.

ITEM	PART NO.	1 2 3 4 5	DESCRIPTION	QTY.
			ITEMS: 1 - 7: FOR VEHICLES MANUFACTURED BEFORE SEPTEMBER 19, 2019	
1	667330		Wheel and Tire Assembly, Front (Includes Items 2 - 3).....	1
2	670884		Wheel, 12 x 7.....	1
3	667311		Tire, 25 x 8 - 12.....	1
4				
5	667332		Wheel and Tire Assembly, Rear (Includes Items 6 - 7)	1
6	670884		Wheel, 12 x 7.....	1
7	667312		Tire, 25 x 10 - 12.....	1
8				
			ITEMS: 9 - 16: FOR VEHICLES MANUFACTURED AFTER SEPTEMBER 19, 2019	
9	639550		Wheel and Tire Assembly, Front, Driver Side (Includes Items 11 - 12)	1
10	639548		Wheel and Tire Assembly, Front, Passenger Side (Includes Items 11 - 12)	1
11	631041		Wheel, 12 x 7.....	1
12	639540		Tire, 25 x 8 - 12.....	1
13	639551		Wheel and Tire Assembly, Rear, Driver Side (Includes Items 15 - 16).....	1
14	639549		Wheel and Tire Assembly, Rear, Passenger Side (Includes Items 15 - 16)	1
15	631041		Wheel, 12 x 7.....	1
16	639541		Tire, 25 x 11 - 12.....	1
17				
18	14723G1		Lug Nut, 1/2" - 20.....	4
19	630268		Center Cap.....	4

DECALS AND LABELS



Front of Vehicle



Front of Vehicle

WARNING Failure to follow these instructions can result in SERIOUS INJURY or DEATH
THIS PROCEDURE SHOULD ONLY BE TO CLEAR VEHICLE FROM AN UNSAFE AREA AND BE PERFORMED ONLY BY QUALIFIED TRAINED PERSONNEL.
In Case Of Total Power Loss And The 'Run-Away' Switch DOES NOT Release The Brakes To Move The Vehicle:

- Turn the Ignition key to the 'OFF' position and 'chock' free to prevent inadvertent movement.
- Identify the 'Auxiliary Power' line (6) and remove the Weather Pack Seal (4) from the connector.
- Identify the 'Primary Power' line (1) connector and disconnect the line (2).
- Connect 'Auxiliary Power' line (3) to 'Primary Power' line (1) which will release the brake. **THIS WILL CAUSE THE VEHICLE TO MOVE IMMEDIATELY IF NOT ON LEVEL GROUND.**
- Move vehicle to desired location and park it properly on level ground, chock free, **IMMEDIATELY DISCONNECT 'AUXILIARY POWER' AND RECONNECT 'PRIMARY POWER' (1, 2) FOR SAFETY AND TO AVOID BATTERY DRAIN.**
- Reconnect the Weather Pack Seal (4) to the Auxiliary Power line (3) and perform required service procedures following all Safety guidelines as outlined in your repair manual.

626614

DECALS AND LABELS

THE USE OF NON U.L. PARTS WILL VOID ANY U.L. LISTING.

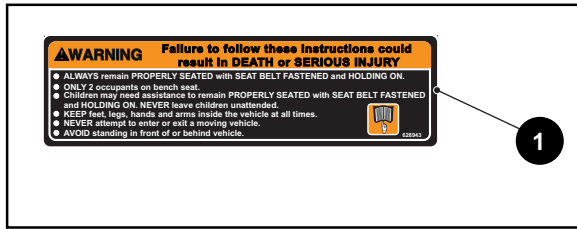
When ordering parts, please specify the model and serial number of the product.

* Indicates a component that is not available as an individual part.

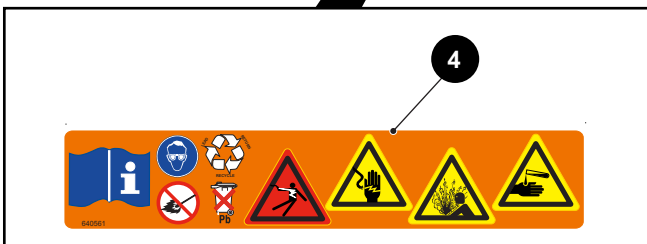
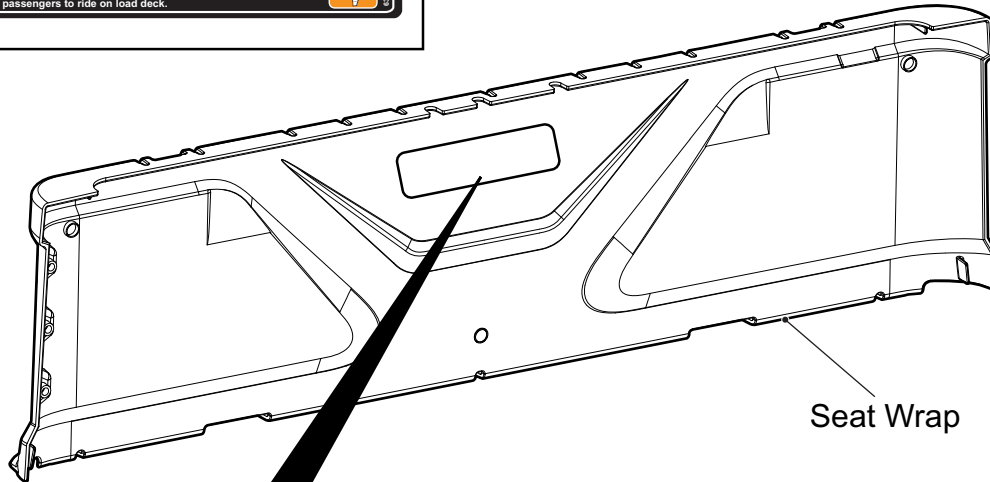
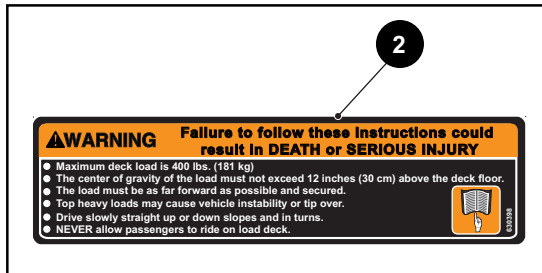
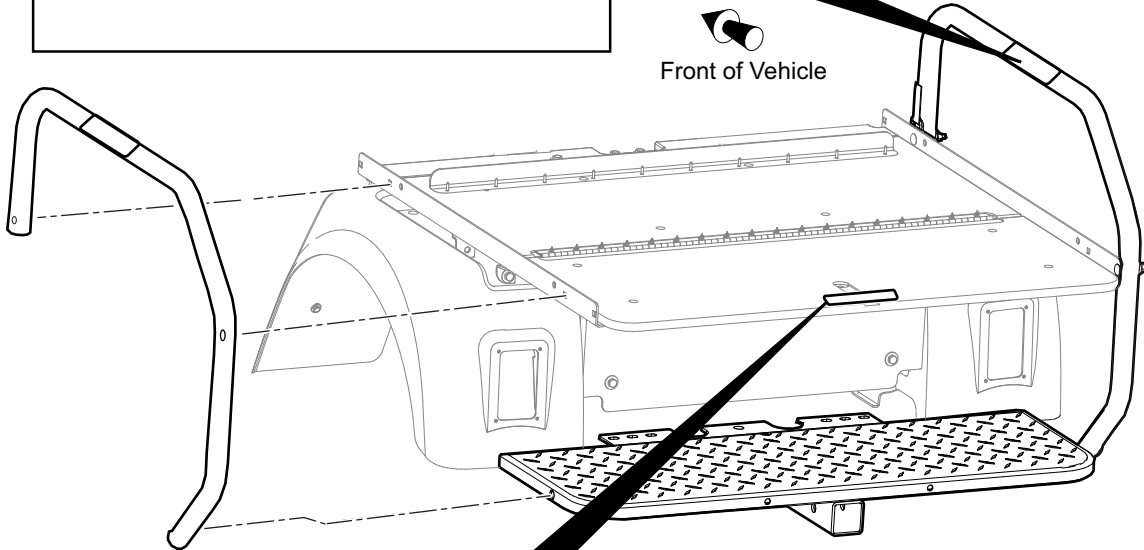
*** Indicates consult Customer Service Department for additional information.

ITEM	PART NO.	1 2 3 4 5	DESCRIPTION	QTY.
1	695306		Dash Panel Label.....	1
2	637067		12V Outlet CE Label	1
3	667079		Tow Switch Decal	1
4	685698		Made in USA Decal	1
5				
6				
7	695284		Steering Wheel Decal	1
8	666372		Fuse Block Label.....	1
9	609694		Towing Instruction Notice Label	1
10				
11	692808G1XX		Seat Wrap Decal (Driver Side) (See COLOR CODE in HOW TO USE section).....	1
12	692808G2XX		Seat Wrap Decal (Passenger Side) (See COLOR CODE in HOW TO USE section).....	1
13	694159G01		Side Decal (Driver Side).....	1
14	694159G02		Side Decal (Passenger Side).....	1

DECALS AND LABELS



Front of Vehicle



DECALS AND LABELS

THE USE OF NON U.L. PARTS WILL VOID ANY U.L. LISTING.

When ordering parts, please specify the model and serial number of the product.

* Indicates a component that is not available as an individual part.

*** Indicates consult Customer Service Department for additional information.

ITEM	PART NO.	1 2 3 4 5	DESCRIPTION	QTY.
1	628943		Flip Seat Warning Label.....	2
2	630398		Load Deck Limit Warning Label	1
3				
4	640561		Euro Battery Label	1



MANUFACTURER INFORMATION

Textron Specialized Vehicles, Inc.
1451 Marvin Griffin Road
Augusta, Georgia, USA 30906-3852

Dealer: 800-296-4804
Consumer: 877-394-6727

Owner's Guides and Repair Manuals are available
from the manufacturer.

Copyrighted Material
This manual may not be reproduced in whole
or in part without the express permission of
the manufacturer.