



A Textron Company

# Electric Service Parts Manual



## 625476-AB

**ISSUED SEPTEMBER 2011**

**REVISED DEC 2016**



# SERVICE PARTS MANUAL

## ELECTRIC POWERED UTILITY VEHICLE

**TERRAIN 1000**

**STARTING MODEL YEAR 2012**

DISCLAIMER: The E-Z-GO Division of Textron Inc. (E-Z-GO) reserves the right to incorporate engineering and design changes to products in this Manual, without obligation to include these changes on units leased/sold previously.

The information contained in this Manual may be revised periodically E-Z-GO, and therefore is subject to change without notice.

E-Z-GO DISCLAIMS LIABILITY FOR ERRORS IN THIS MANUAL, and E-Z-GO SPECIFICALLY DISCLAIMS LIABILITY FOR INCIDENTAL AND CONSEQUENTIAL DAMAGES RESULTING FROM THE USE OF THE INFORMATION AND MATERIALS IN THIS MANUAL.

### **TO CONTACT US**

#### **NORTH AMERICA:**

**TECHNICAL ASSISTANCE & WARRANTY PHONE: 1-800-774-3946, FAX: 1-800-448-8124**

**SERVICE PARTS PHONE: 1-888-GET-EZGO (1-888-438-3946), FAX: 1-800-752-6175**

**INTERNATIONAL: PHONE: 001-706-798-4311, FAX: 001-706-771-4609**

**E-Z-GO DIVISION OF TEXTRON INC., 1451 MARVIN GRIFFIN RD., AUGUSTA, GEORGIA USA 30906-3852**

## GENERAL INFORMATION

To obtain a copy of the limited warranty applicable to the vehicle, call or write a local Distributor, authorized Branch or the Warranty Department with vehicle serial number and manufacturer code.

The use of non Original Equipment Manufacturer (OEM) parts may void the warranty.

Overfilling of batteries may void the warranty.

### BATTERY PROLONGED STORAGE

All batteries will self discharge over time. The rate of self discharge varies depending on the ambient temperature and the age and condition of the batteries.

A fully charged battery will not freeze in winter temperatures unless the temperature falls below -75° F (-60° C).

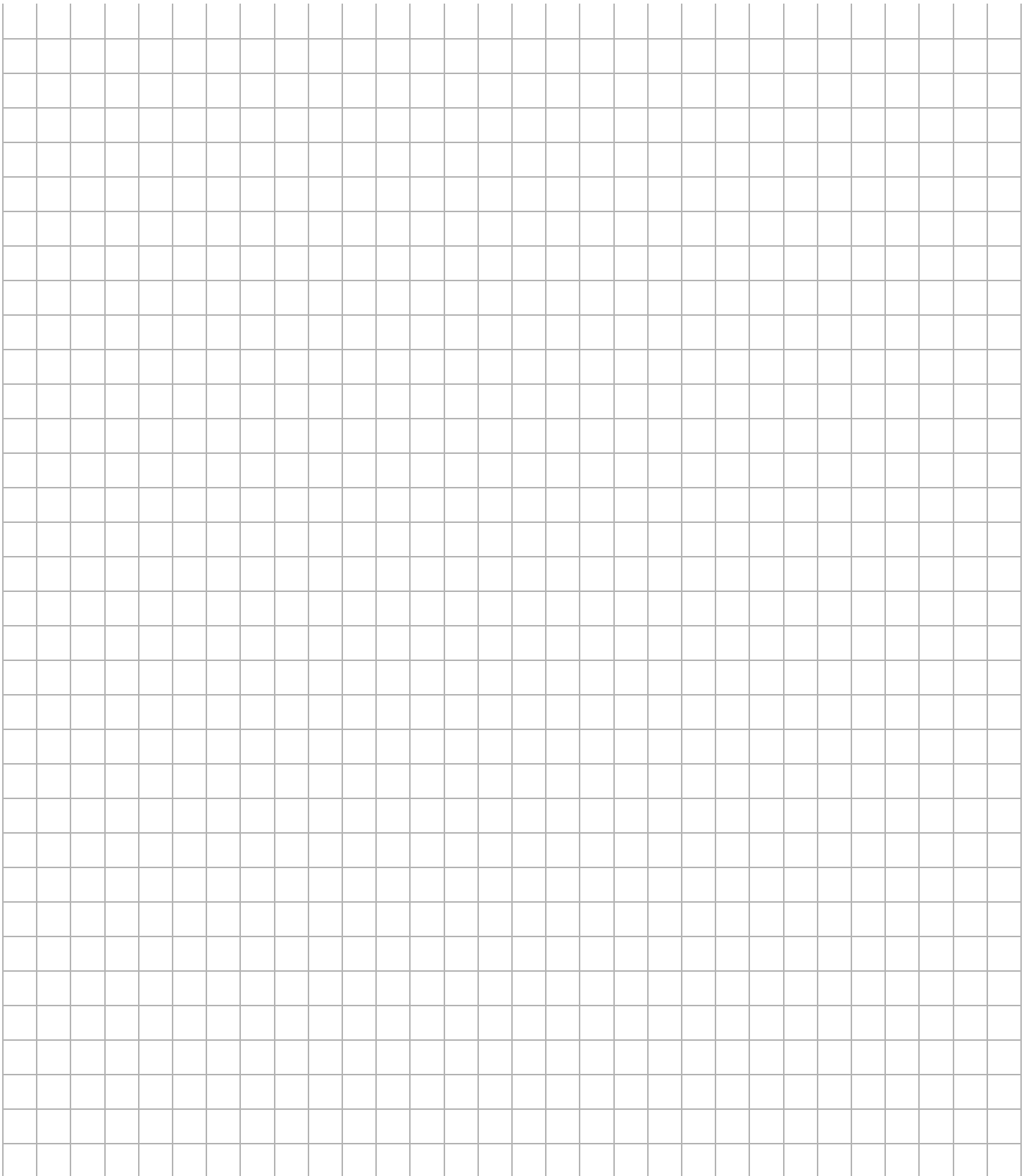
As with all electric vehicles, the batteries must be checked and recharged as required or at a minimum of 30 day intervals.



# TABLE OF CONTENTS

<b>SECTION</b>	<b>Page No.</b>
HOW TO USE THE SERVICE PARTS MANUAL .....	v
ACCELERATOR PEDAL ASSEMBLY .....	A - 1
BATTERY CHARGER .....	B - 1
BODY .....	C - 1
BRAKES .....	D - 1
CAB .....	E - 1
ELECTRICAL SYSTEM .....	F - 1
ELECTRONIC SPEED CONTROL .....	G - 1
FRONT SUSPENSION - STEERING .....	H - 1
MOTOR .....	J - 1
REAR AXLE .....	K - 1
REAR SUSPENSION .....	L - 1
SEATING .....	M - 1
TRUCK BED - PLASTIC .....	N - 1
TRUCK BED - METAL .....	N - 7
WEATHER PROTECTION .....	P - 1
WHEELS AND TIRES .....	Q - 1

# NOTES



# HOW TO USE THE SERVICE PARTS MANUAL

This manual is divided into several sections:

- GENERAL INFORMATION
- ILLUSTRATED PARTS BREAKDOWN
- APPENDIX

The first section, GENERAL INFORMATION, contains the following information:

- WARRANTY INFORMATION
- GENERAL INDEX
- HOW TO USE THE SERVICE PARTS MANUAL

The second section, ILLUSTRATED PARTS BREAKDOWN, contains illustrations and parts lists for all systems of your vehicle.

The third section, APPENDIX, contains a listing of specialty products and accessories.

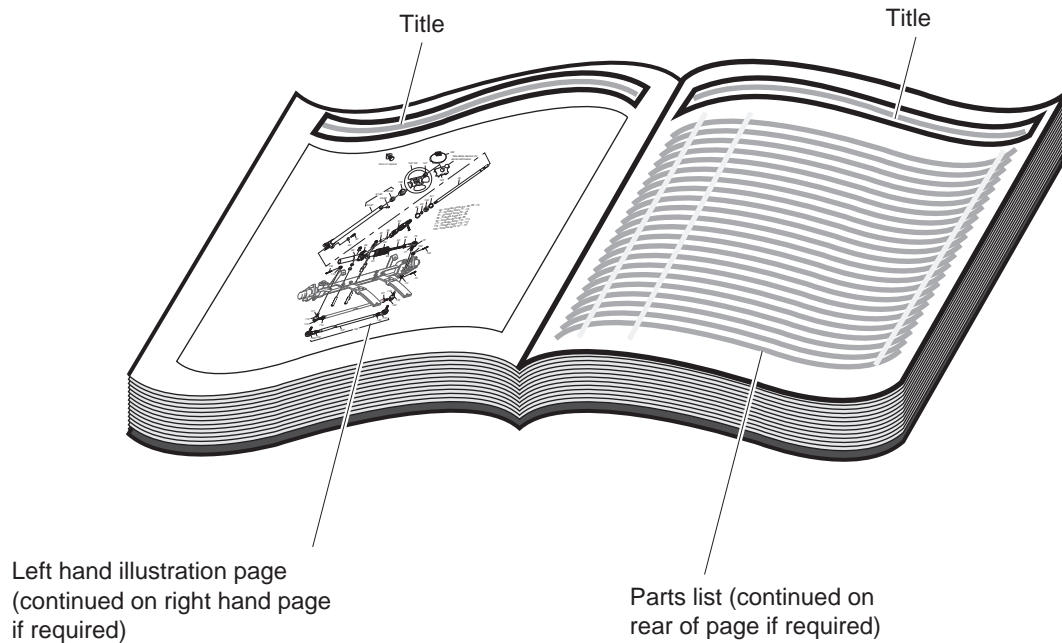
## USE OF THE MANUAL

To use this manual, consult the GENERAL INDEX to locate the information or illustration required.

Introduction of some revisions varies due to supply of components; therefore, it is possible that various combinations of components may be found that are not directly reflected by each illustration. Consult the illustration that best suits your situation and then contact the Service Parts Department. It is important that the serial number of your vehicle and its model number be supplied to Service Parts when ordering any replacement components.

Locate the serial number plate (see BODY located in the Illustrated Parts Breakdown section of this manual for its location) and note the complete number shown on the plate.

# HOW TO USE THE SERVICE PARTS MANUAL



## 1. WHEN THE PART NUMBER IS NOT KNOWN

- Determine the function and application of the part required. Turn to the General Index and select the most appropriate title.
- Turn to the page number indicated and locate the desired part on the illustration.
- From the illustration, obtain the item number assigned to the desired part. Refer to the accompanying description for specific information regarding the part.

## 2. IF YOU KNOW THE PART NUMBER

- Locate the part number or description in the appropriate column on the parts list page.

NOTE: It is suggested that you confirm that the part selected is correct by verifying it with the pictorial representation on the illustrated page.

Should an asterisk (\*) appear in the part number column on the parts list page, read upwards until a part number is found. The part number is the lowest assembly sold by Service Parts and the asterisk (\*) indicates that the part depicted is not available for purchase.

NOTE: Descriptions are indented under the assembly that they are used on. That assembly is, in turn listed under the assembly that it is used on. This process is repeated until the highest final assembly is reached.

**To facilitate the maintenance and repair of the vehicle, a Technician's Repair and Service Manual is available from the Service Parts Department.**

# HOW TO USE THE SERVICE PARTS MANUAL

## 3. COLOR CODE FOR BODY COMPONENTS

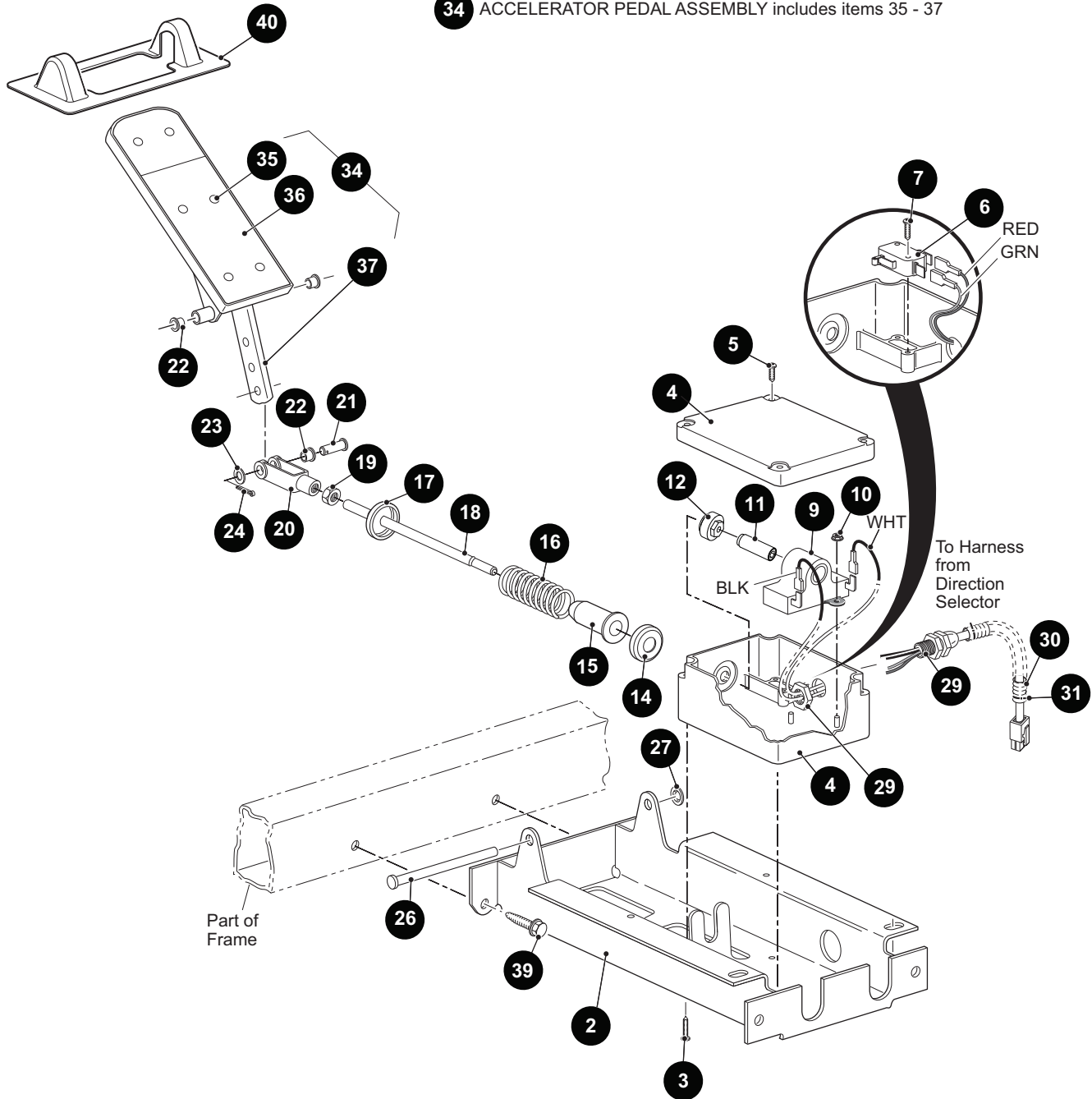
The last two digits of the part number for the body part will denote the color code, locate the part number for the cowl, rear body, seat pod, side panel or seat wrap then locate your color in the list below, replace the last \*\* or XX with the two digit color code.

<u>CODE #</u>	<u>DESCRIPTION</u>	<u>CODE #</u>	<u>DESCRIPTION</u>
01	NO PAINT	53	MOSSY OAK NEW BREAK UP - DIPPED
02	SPECIAL COLOR	54	MOSSY OAK OBSESSION - DIPPED
05	JACOBSEN ORANGE	55	REALTREE ADVANTAGE MAX 4 - DIPPED
06	LIGHT GOLD PEARL	56	REALTREE HARDWOOD BROWN - DIPPED
07	SILVER PEARL METALIC	57	REALTREE AP HOT PINK - DIPPED
11	BLACK	58	BLACK / SILVER MARBLE - DIPPED
12	EMERALD GREEN PEARL	59	RED / SILVER MARBLE - DIPPED
13	CLOUD GRAY	60	HOT PINK / SILVER MARBLE - DIPPED
14	VIPER BLUE METALLIC	61	REALTREE AP
19	PATRIOT BLUE PEARL	62	REALTREE MAX 4
20	INFERNO RED METALLIC	63	MOSSY OAK BREAKUP
23	ADVANTAGE CLASSIC CAMO	64	MOSSY OAK TREESTAND
24	NATURAL	65	REALTREE APG
25	VIVID NEW HOLLAND BLUE	66	REALTREE MAX 1
26	STEEL BLUE PEARL	67	REALTREE AP PINK
27	BRIGHT SILVER METALLIC	68	REALTREE AP - DIPPED
29	PRIMER ONLY		
30	HD ADVANTAGE CAMO		
31	METALLIC CHARCOAL		
32	LIGHT ALMOND PEARL		
33	TIMBERLINE GREEN		
34	DEEP MOLTEN RED		
35	SAFETY YELLOW		
36	IVORY		
37	FOREST GREEN		
38	BRIGHT WHITE		
39	FLAME RED		
40	BLACK		
41	ELECTRIC BLUE		
42	PLATINUM		
43	BURGUNDY		
44	ALMOND		
45	BLACK		
46	FLAME RED		
47	BURLINGTON GREEN		
48	BLACK		
49	FLAME RED		
50	RECON GREEN		
51	SUNBURST ORANGE		
52	BRITISH RACING GREEN		

# ACCELERATOR

1 PEDAL BOX ASSEMBLY includes items 2 - 37

34 ACCELERATOR PEDAL ASSEMBLY includes items 35 - 37



# ACCELERATOR

When ordering parts, please specify the model and serial number of the product.

\* Indicates a component that is not available as an individual part.

\*\*\* Indicates consult Customer Service Department for additional information.

ITEM	PART NO.	1 2 3 4 5	DESCRIPTION	QTY.
1	73333G11		PEDAL BOX ASSEMBLY (INCLUDES ITEMS 2 - 37) .....	1
2	70116G02		ACCELERATOR PEDAL BRACKET .....	1
3	01051G01		SCREW, #8 - 16 X 1/2" LG.....	4
4	25853G01		PEDAL BOX AND COVER .....	1
5	00684G6		SCREW, #8 - 32 X 3/4" LG.....	2
6	25861G02		MICRO SWITCH .....	1
7	01050G01		SCREW, #4 - 20 X 5/8" LG.....	2
8				
9	25854G01		INDUCTIVE THROTTLE SENSOR .....	1
10	00983G01		SELF THREADING NUT, 3/16" .....	2
11	602484		PLUNGER .....	1
12	28444G01		CAM ACCEL ROD .....	1
13				
14	17677G1		SPRING RETAINER, 1/2".....	1
15	17979G1		BUSHING .....	1
16	73046G01		COMPRESSION SPRING .....	1
17	17677G2		SPRING RETAINER, 3/8".....	1
18	73332G01		ACCELERATOR ROD .....	1
19	00532G4		LOCK NUT, 5/16 - 24.....	1
20	10385G4		CLEVIS YOKE (ADJUSTABLE).....	1
21	10386G3		CLEVIS PIN, 5/16" X 1" LG .....	1
22	17838G1		NYLON BUSHING .....	3
23	17255G1		TEFLON WASHER, 5/16" .....	1
24	10387G3		COTTER PIN, 3/32" X 3/4" LG .....	1
25				
26	74432G01		PEDAL PIVOT PIN .....	1
27	12064G6		PUSH NUT .....	1
28				
29	25879G08		WIRING HARNESS (PEDAL BOX ASSEMBLY) .....	1
30	17313G1		LOOM FLEX, 3/8" X 6" LG (BULK).....	1
31	17618G1		NYLON CLAMP .....	2

# ACCELERATOR

When ordering parts, please specify the model and serial number of the product.

\* Indicates a component that is not available as an individual part.

\*\*\* Indicates consult Customer Service Department for additional information.

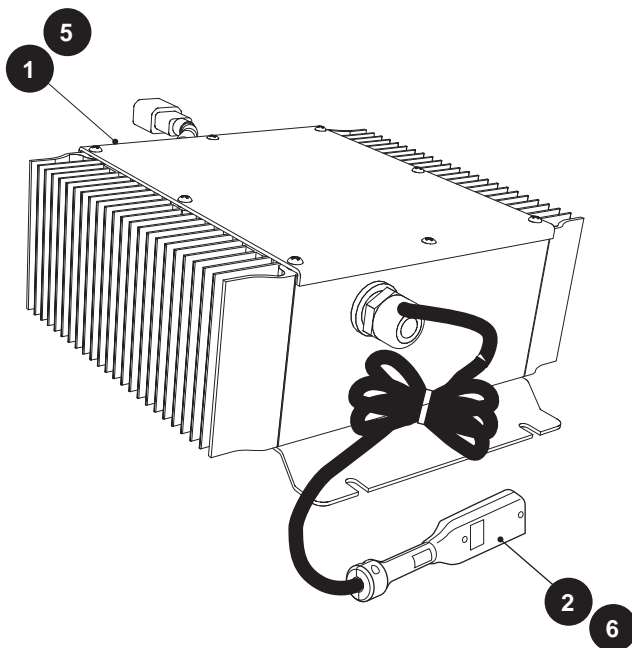
ITEM	PART NO.	1	2	3	4	5	DESCRIPTION	QTY.
32								
33								
34	25799G03						ACCELERATOR PEDAL ASSEMBLY (INCLUDES ITEMS 35 - 37) .....	1
35	16409G01						OVAL RIVET, 15/32" X 7/16" LG .....	6
36	27512G01						ACCELERATOR PEDAL PAD .....	1
37	652824						ACCELERATOR PEDAL .....	1
38								
39	00715G2						BOLT, 5/16 - 18 X 13/16" LG .....	4
40	70135G01						PEDAL PIVOT COVER .....	1





# BATTERY CHARGER

- 1 48 VOLT PORTABLE CHARGER includes items 2 & 3
- 5 48 VOLT BATTERY CHARGER includes items 6 & 7



# BATTERY CHARGER

When ordering parts, please specify the model and serial number of the product.

\* Indicates a component that is not available as an individual part.

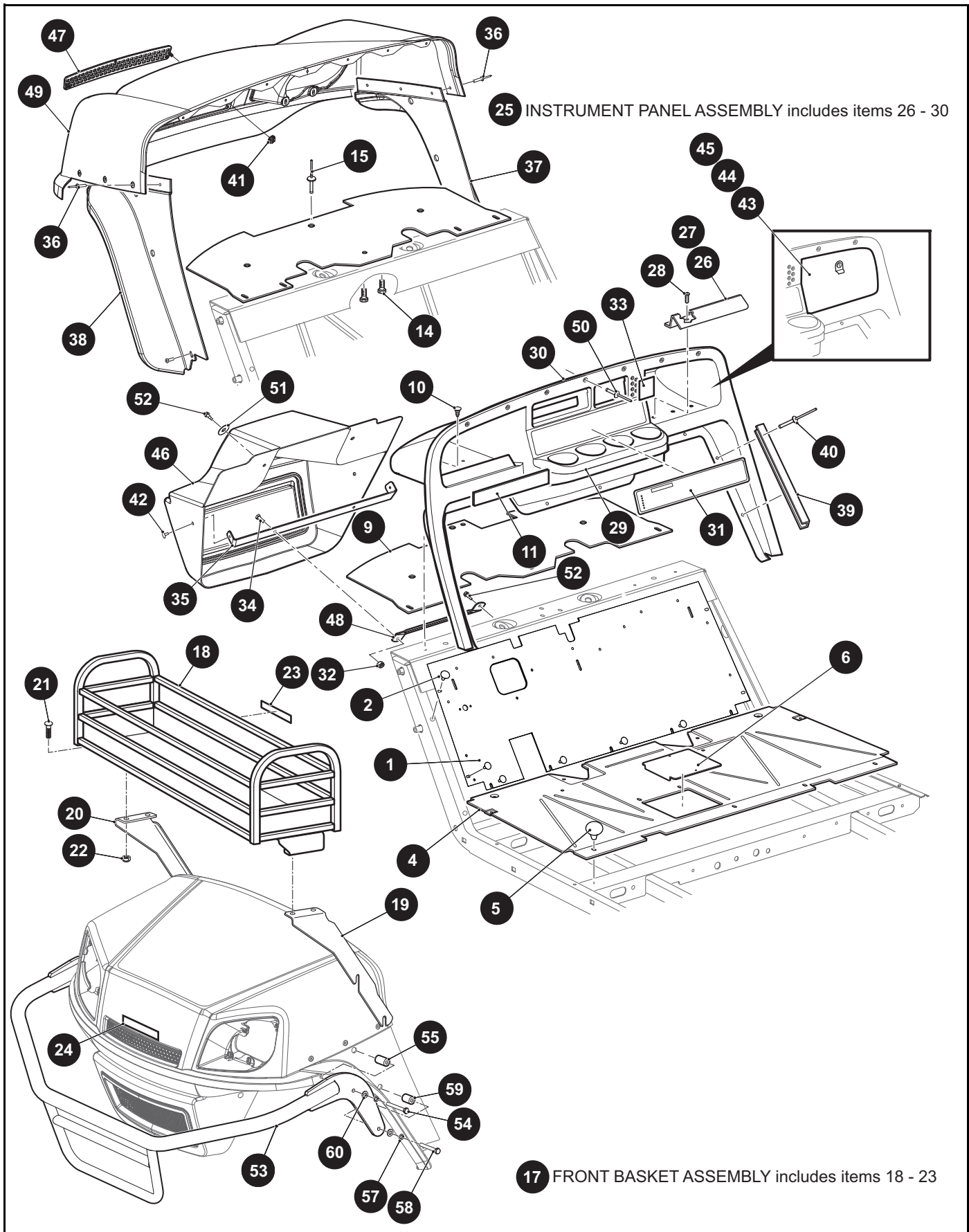
\*\*\* Indicates consult Customer Service Department for additional information.

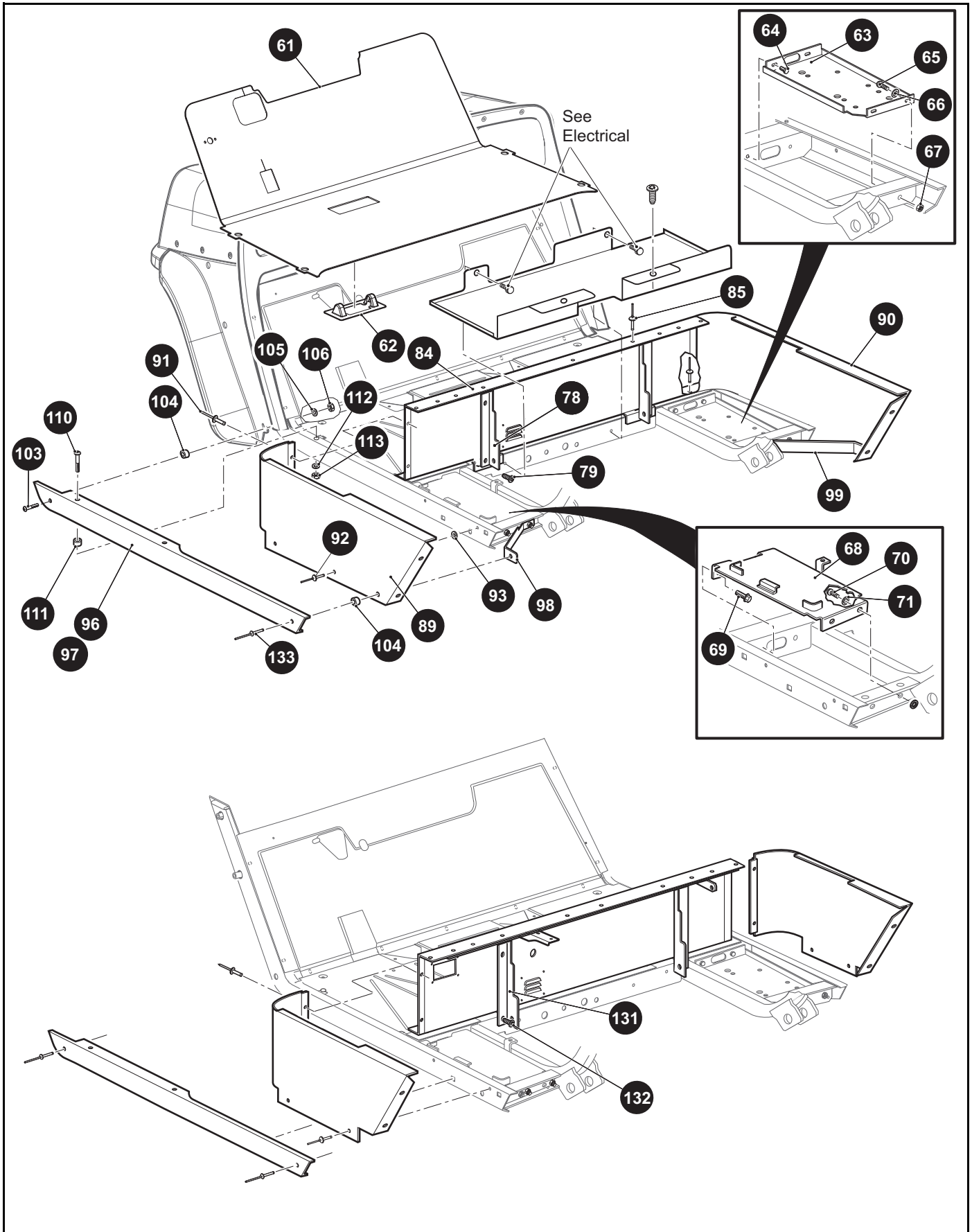
ITEM	PART NO.	1 2 3 4 5	DESCRIPTION	QTY.
1	603689		48V DELTA-Q PORTABLE CHARGER WITH 10' DC CORD (INCLUDES ITEMS 2 - 3) .....	1
2	600463G02		48V DC CABLE ASSEMBLY 10' .....	1
3	600462G01		AC POWER CORD (NOT SHOWN).....	1
4				
5	603690		48V DELTA-Q BATTERY CHARGER WITH 18' DC CORD (INCLUDES ITEMS 6 - 7) .....	1
6	600463G03		48V DC CABLE ASSEMBLY 18' .....	1
7	600462G01		AC POWER CORD (NOT SHOWN).....	1



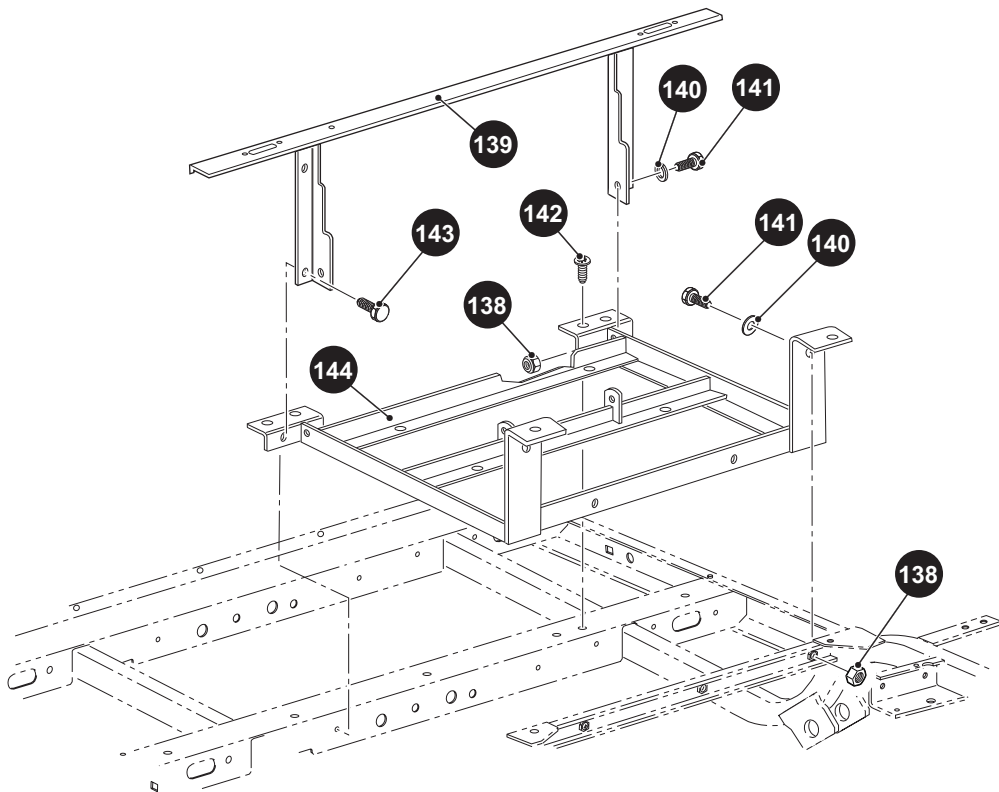
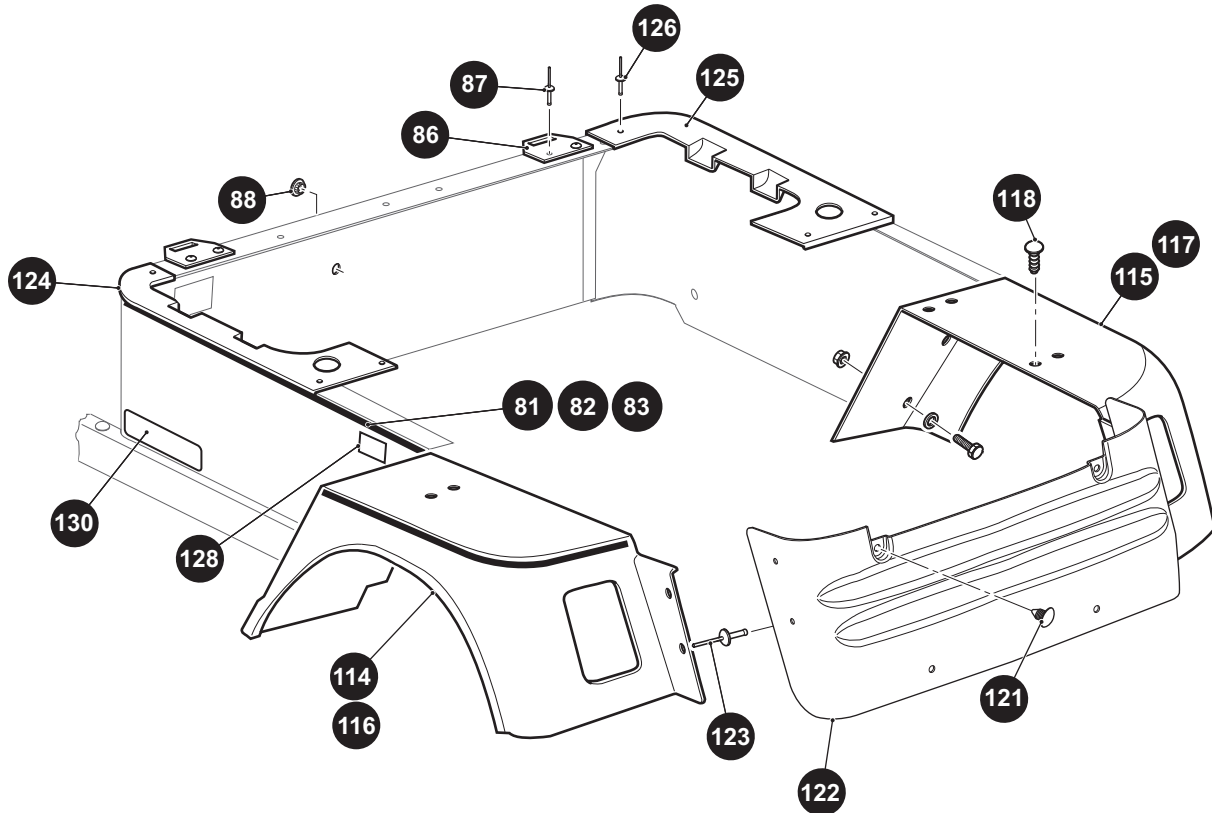


# BODY





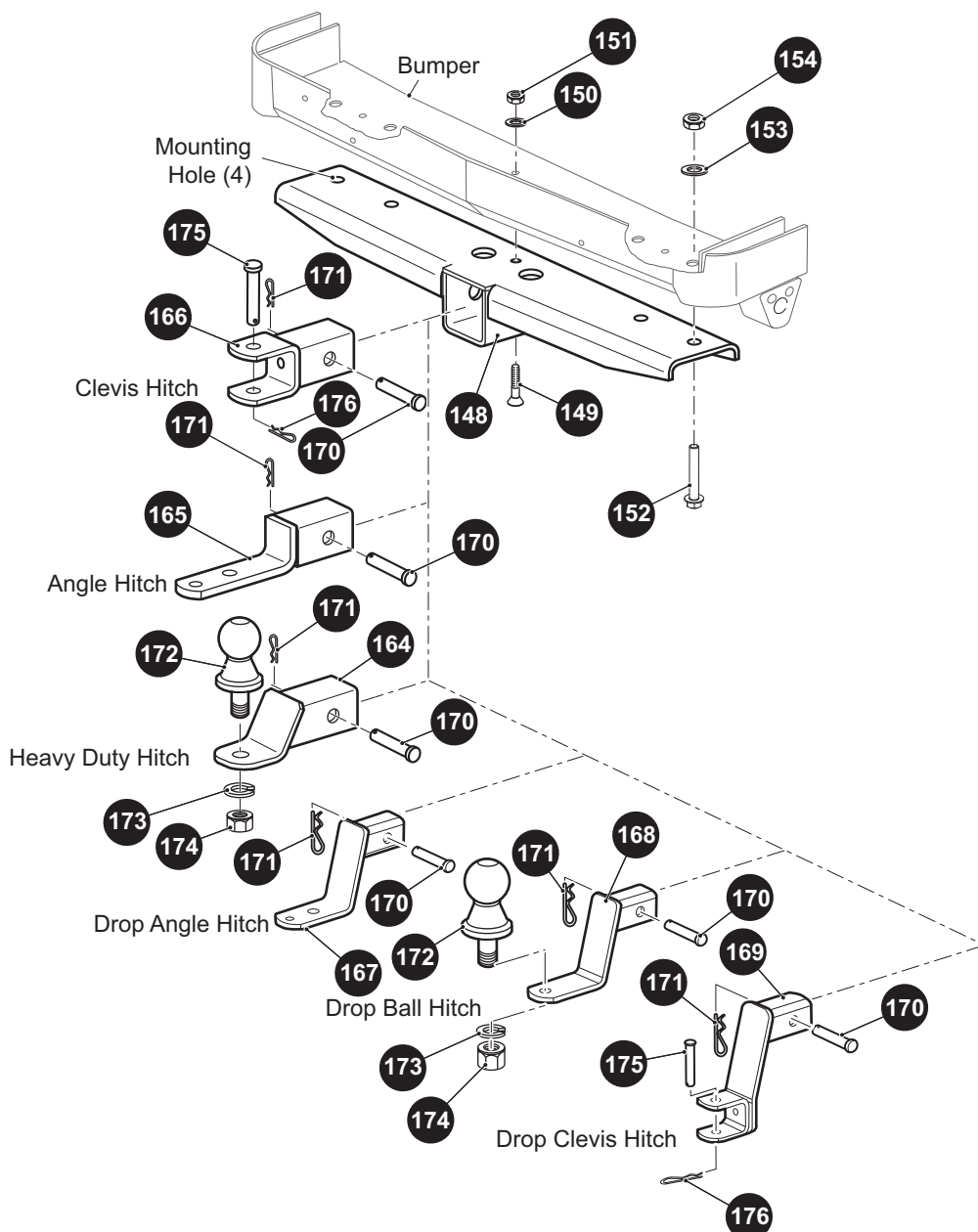
# BODY



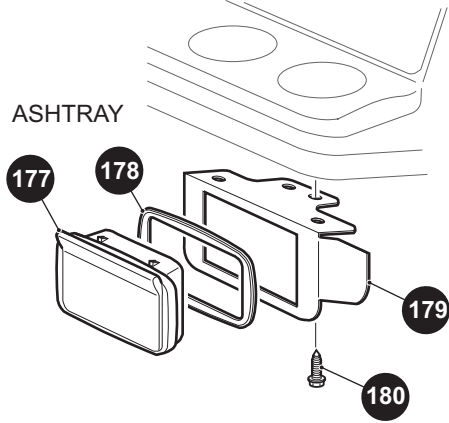


## HITCHES

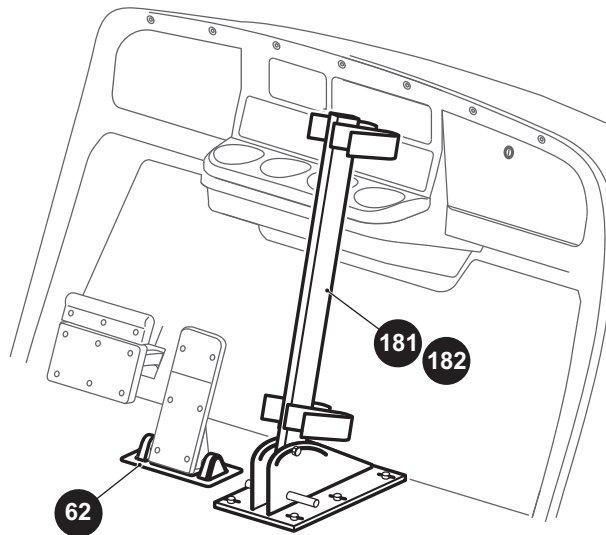
- 158** HEAVY DUTY HITCH KIT includes items 164, 170 - 174
- 159** ANGLE HITCH KIT includes items 165, 170, 171
- 160** CLEVIS HITCH KIT includes items 166, 170, 171, 175, 176
- 161** DROP ANGLE HITCH KIT includes items 167, 170, 171
- 162** DROP BALL HITCH KIT includes items 168, 170 - 174
- 163** DROP CLEVIS HITCH KIT includes items 169, 170, 171, 175, 176



ASHTRAY



FLOOR MOUNT  
GUN HOLDER



When ordering parts, please specify the model and serial number of the product.

\* Indicates a component that is not available as an individual part.

\*\*\* Indicates consult Customer Service Department for additional information.

ITEM	PART NO.	1 2 3 4 5	DESCRIPTION	QTY.
1	637534		UPPER FLOORPAN .....	1
2	14601G11		RIVET (ALUMINUM), 3/16" X 9/16" LG .....	9
3				
4	70451G01		LOWER FLOORPAN .....	1
5	14601G11		RIVET (ALUMINUM), 3/16" X 9/16" LG .....	7
6	70452G01		ACCESS COVER.....	1
7				
8				
9	71413G01		SPLASH PANEL.....	1
10	16816G2		RATCHET FASTENER, 1/4" X 3/4" LG.....	4
11	74443G01		LABEL (ANTI - ROLLBACK) .....	1
12				
13				
14	71102G02		SELF TAPPING SCREW, 1/4" - 20 X 1/2" LG .....	3
15	71055G01		RIVET (ALUMINUM), 3/16" X 1 1/8" LG .....	1
16				
17	74521G02		FRONT BASKET ASSEMBLY (INCLUDES ITEMS 18 - 23) .....	1
18	74523G01		FRONT BASKET .....	1
19	74522G01		BASKET MOUNTING BRACKET (DRIVER SIDE).....	1
20	74522G02		BASKET MOUNTING BRACKET (PASSENGER SIDE) .....	1
21	00725G1		CARRIAGE BOLT (SS), 3/8" - 16 X 1" LG.....	4
22	11098G5		LOCK NUT, 3/8" - 16 .....	4
23	71931G01		LABEL, FRONT BASKET (WARNING) .....	1
24	619206		DECAL, E-Z-GO COWL.....	1
25	71151G01		INSTRUMENT PANEL ASSEMBLY (INCLUDES ITEMS 26 - 30).....	1
26	71153G01		DEFLECTOR (PASSENGER SIDE) .....	1
27	71154G01		DEFLECTOR (DRIVER SIDE).....	1
28	00614G5		SELF DRILL SCREW, #8 - 18 X 5/8" LG.....	4
29	71158G01		INSTRUMENT PANEL INSERT (FOUR CUP) .....	1
30	71152G01		INSTRUMENT PANEL.....	1
31	601781		LABEL (SAFETY).....	1

# BODY

When ordering parts, please specify the model and serial number of the product.

\* Indicates a component that is not available as an individual part.

\*\*\* Indicates consult Customer Service Department for additional information.

ITEM	PART NO.	1 2 3 4 5	DESCRIPTION	QTY.
32	14390G4		HEX NUT, 1/4" - 20.....	2
33	35968G01		LABEL (T-HOLDER COVER) .....	1
34	00414G6		HEX HEAD BOLT, 1/2" - 20 X 3/4" LG.....	2
35	618653		FASCIA BRACKET .....	1
36	71055G01		RIVET (ALUMINUM), 3/16" X 1" LG.....	6
37	613274		FENDER FLARE (PASSENGER SIDE) .....	1
38	614378		FENDER FLARE (DRIVER SIDE).....	1
39	71115G01		VINYL TRIM.....	2
40	71055G01		RIVET (ALUMINUM), 3/16" X 1" LG.....	10
41	71597G01		SELF THREADING NUT, 5 X 10 X 15MM.....	2
42	15058G1		ALUMINUM RIVET, 0.87" .....	2
43	75459G01		GLOVE BOX DOORS (BOTH SIDES) .....	1
44	75459G02		GLOVE BOX DOOR (DRIVER SIDE) .....	1
45	75459G03		GLOVE BOX DOOR (PASSENGER SIDE) .....	1
46	613273		FRONT FASCIA.....	1
47	617643		COWL GRILL COVER .....	1
48	70725G02		FRONT SHIELD BRACE .....	2
49	613036GXX		COWL (See COLOR CODE in HOW TO USE Section of Manual) .....	1
50	71055G01		RIVET (ALUMINUM), 3/16" X 1" LG.....	7
51	16469G1		FENDER WASHER, 9/32".....	2
52	01038G01		SWAGEFORM SCREW, 1/4" - 20 x 0.7" LG .....	4
53	617620		BRUSHGUARD .....	1
54	00440G6		HEX HEAD BOLT, 5/16" - 18 X 2 3/4" LG.....	2
55	75048G02		SPACER, 0.328" X 1.31" .....	2
56				
57	00565G8		LOCK WASHER, 5/16" .....	4
58	00440G2		HEX HEAD BOLT, 5/16" - 18" X 2 1/4" LG .....	4
59	75048G04		SPACER, 0.328" X 0.75" .....	2
60	00559G8		FLAT WASHER, 5/16" .....	4
61	70663G06		FLOORMAT WITH HORN HOLES, DIAMOND PLATE .....	1
62	70135G01		PEDAL PIVOT COVER .....	1

When ordering parts, please specify the model and serial number of the product.

\* Indicates a component that is not available as an individual part.

\*\*\* Indicates consult Customer Service Department for additional information.

ITEM	PART NO.	1 2 3 4 5	DESCRIPTION	QTY.
63	70244G03		SPLASH PANEL.....	1
64	00715G2		HEX HEAD BOLT, 5/16" - 18 X 4/5" LG .....	4
65	00438G8		HEX HEAD BOLT, 5/16" - 18 X 1" LG .....	2
66	00559G8		FLAT WASHER, 5/16".....	2
67	11098G6		LOCK NUT (SS), 5/16" - 18 .....	2
68				
69	00715G2		HEX HEAD BOLT, 5/16" - 18 X 4/5" LG .....	AR
70	00438G6		HEX HEAD BOLT, 5/16" - 18 X 3/4" LG .....	3
71	00571G2		FLAT WASHER, 5/16".....	1
72				
73				
74				
75				
76				
77				
78	605763		SEAT FRAME .....	1
79	00715G2		HEX HEAD BOLT, 5/16" - 18 X 4/5" LG .....	2
80				
81				
82				
83				
84	609143GXX		SEAT WRAP WITH LOUVERS (See COLOR CODE in HOW TO USE Section) .....	1
85	10570G10		RIVET (SS), 5/32" X 9/16" LG.....	8
86	71609G01		SEAT HINGE PLATE.....	2
87	10570G11		RIVET (SS), 3/16" X 3/4" LG.....	4
88	20271G10		HOLE PLUG .....	1
89	609168G1XX		SIDE PANEL (DRIVER SIDE) (See COLOR CODE in HOW TO USE Section)	1
90	609168G2XX		SIDE PANEL (PASSENGER SIDE) (See COLOR CODE in HOW TO USE Section).....	1
91	10570G10		RIVET (SS), 5/32" X 9/16" LG.....	4
92	10570G12		RIVET (ALUMINUM), 1/4" X 9/16" LG .....	4

# BODY

When ordering parts, please specify the model and serial number of the product.

\* Indicates a component that is not available as an individual part.

\*\*\* Indicates consult Customer Service Department for additional information.

ITEM	PART NO.	1 2 3 4 5	DESCRIPTION	QTY.
93	16469G1		FENDER WASHER, 1/4" .....	4
94				
95				
96	618886		ROCKER PANEL (DRIVER SIDE) .....	1
97	618885		ROCKER PANEL (PASSENGER SIDE) .....	1
98	71440G03		BRACE (DRIVER SIDE).....	1
99	71440G04		BRACE (PASSENGER SIDE) .....	1
100				
101				
102				
103	00789G2		PHILLIPS HEAD SCREW, #10 - 24 X 1 1/4" LG .....	2
104	23726G4		SPACER, 1/4".....	4
105	00660G5		FLAT WASHER (SS), #10 .....	2
106	14390G10		LOCK NUT, #10 - 24.....	2
107				
108				
109				
110	16705G1		PHILLIPS HEAD SCREW (SS), 1/4" - 20 X 1" LG .....	4
111	23726G4		SPACER, 1/4".....	4
112				
113	14390G4		LOCK NUT, 1/4" - 20 .....	4
114	74893G01		FENDER (DRIVER SIDE) .....	1
115	74893G02		FENDER (PASSENGER SIDE).....	1
116	74893G03		FENDER WITH TAILLIGHT OPENING (DRIVER SIDE).....	1
117	74894G04		FENDER WITH TAILLIGHT OPENING (PASSENGER SIDE) .....	1
118	16816G2		RATCHET FASTENER, 1/4" X 3/4" LG .....	10
119				
120				
121	16816G2		RATCHET FASTENER, 1/4" X 3/4" LG .....	8
122	74890G01		REAR PANEL .....	1
123	71055G01		RIVET (ALUMINUM), 3/16" X 1" LG.....	4

When ordering parts, please specify the model and serial number of the product.

\* Indicates a component that is not available as an individual part.

\*\*\* Indicates consult Customer Service Department for additional information.

ITEM	PART NO.	1 2 3 4 5	DESCRIPTION	QTY.
124	74891G01		SEAT FILLER PANEL (DRIVER SIDE) .....	1
125	74891G02		SEAT FILLER PANEL (PASSENGER SIDE).....	1
126	10570G10		RIVET (SS), 5/32" X 9/16" LG.....	6
127				
128	74099G01		LABEL (TILT WARNING) .....	2
129				
130	619181		DECAL, EZGO LOGO.....	1
131	605694		SEAT FRAME .....	1
132	00715G2		HEX HEAD BOLT, 5/16" - 18 X 4/5" LG .....	2
133	15058G6		RIVET (ALUMINUM), 3/16" X 15/16" LG .....	2
134	71424G01		SPACER (DRIVER SIDE) .....	1
135	71424G02		SPACER (PASSENGER SIDE).....	1
136				
137				
138	11098G6		LOCK NUT, 5/16" - 18.....	4
139	70441G01		SEAT FRAME .....	1
140	00559G8		FLAT WASHER, 5/16".....	4
141	00438G6		HEX HEAD BOLT, 5/16" - 18 X 3/4" LG .....	4
142	70200G01		TORX HEAD SCREW, 3/8" - 16 X 1/4" LG .....	2
143	00715G2		HEX HEAD BOLT, 5/16" - 18 X 13/16" LG .....	2
144	652254G03		BATTERY RACK.....	1
145				
146				
147				
148	74348G02		HITCH RECEIVER.....	1
149	00198G8		FLAT HEAD BOLT, 5/16" - 18 X 1" LG .....	1
150	00571G2		FLAT WASHER, 5/16".....	1
151	11098G6		LOCK NUT (SS), 5/16" - 18 .....	1
152	00463G4		HEX HEAD BOLT, 7/16" - 14 X 1 1/2" LG .....	4
153	00922G3		FLAT WASHER, 7/16".....	4
154	00734G1		LOCK NUT, 7/16" - 14.....	4

# BODY

When ordering parts, please specify the model and serial number of the product.

\* Indicates a component that is not available as an individual part.

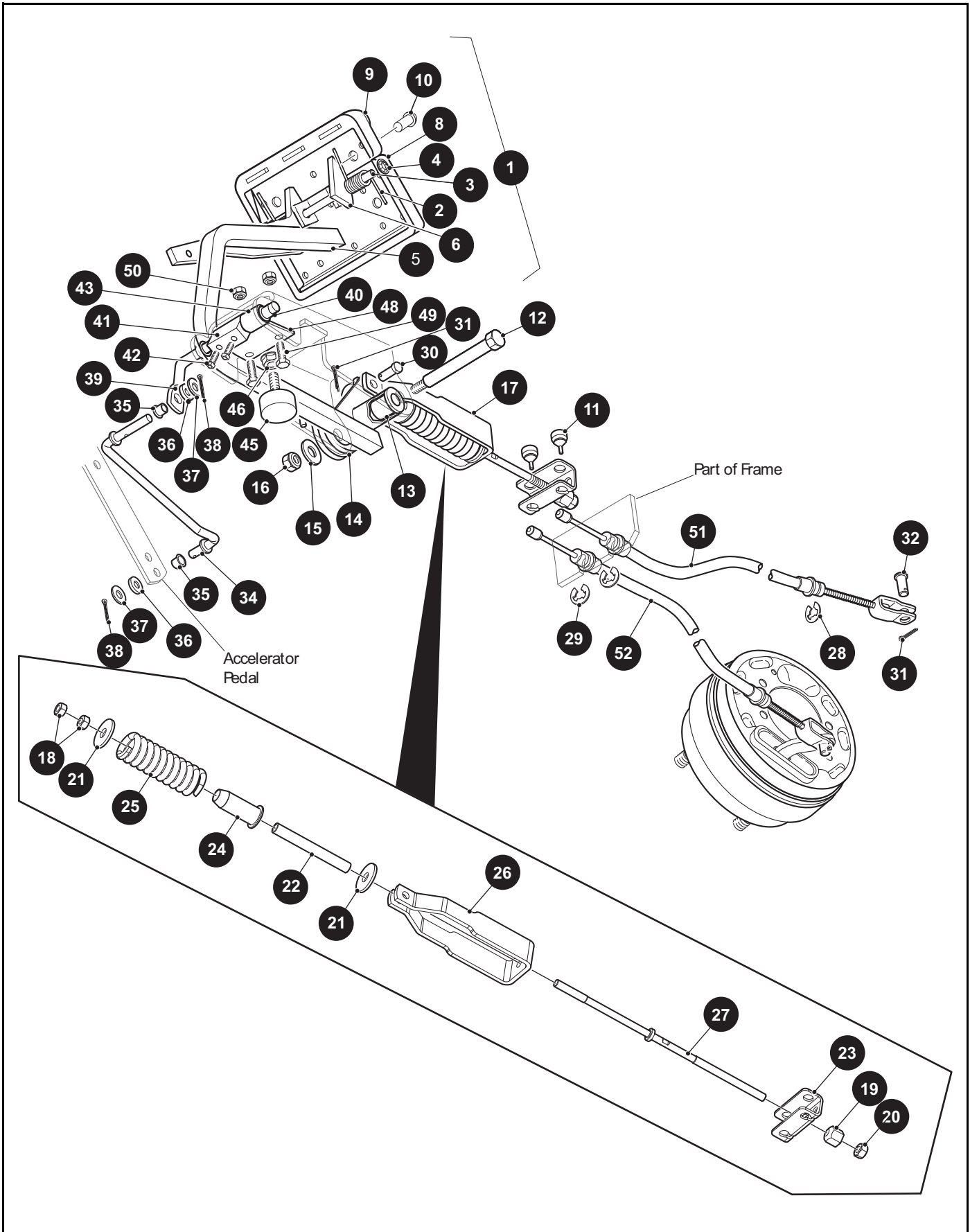
\*\*\* Indicates consult Customer Service Department for additional information.

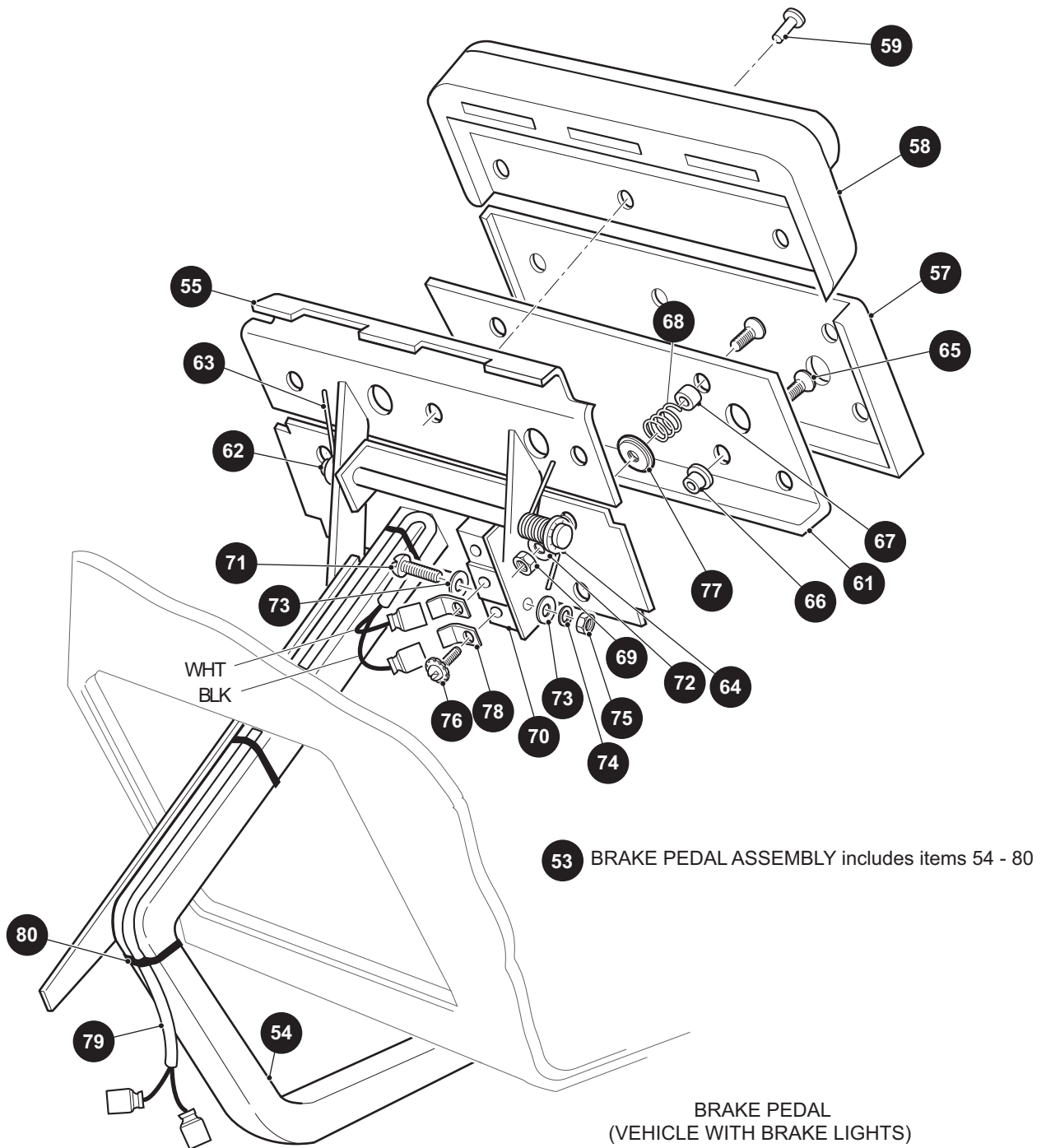
ITEM	PART NO.	1	2	3	4	5	DESCRIPTION	QTY.
155								
156								
157								
158	74492G02						HEAVY DUTY BALL HITCH KIT (INCLUDES ITEMS 164, 170 - 174) .....	1
159	74492G04						ANGLE HITCH KIT (INCLUDES ITEMS 165, 170, 171) .....	1
160	74492G06						CLEVIS HITCH KIT (INCLUDES ITEMS 166, 170, 171, 175, 176).....	1
161	74492G08						DROP ANGLE HITCH KIT (INCLUDES ITEMS 167, 170, 171) .....	1
162	74492G10						DROP BALL HITCH KIT (INCLUDES ITEMS 168, 170 - 174) .....	1
163	74492G12						DROP CLEVIS HITCH KIT (INCLUDES ITEMS 169, 170, 171, 175, 176) .....	1
164	74351G02						HEAVY DUTY HITCH.....	1
165	74339G02						ANGLE HITCH.....	1
166	74338G02						CLEVIS HITCH .....	1
167	74489G02						DROP ANGLE HITCH.....	1
168	74491G02						DROP BALL HITCH .....	1
169	74495G02						DROP CLEVIS HITCH.....	1
170	21317G1						CLEVIS PIN, 5/8" X 3" LG.....	1
171	21683G1						COTTER PIN, 15/32" X 2 11/16" LG.....	1
172	31757G1						HITCH BALL, 1 7/8" .....	1
173	00566G6						LOCK WASHER, 3/4" .....	1
174	00702G11						HEX NUT, 3/4" - 16 .....	1
175	14443G10						CLEVIS PIN, 1/2" X 3" LG.....	1
176	19314G1						COTTER PIN, 2 1/2" LG .....	1
177	27731G01						ASHTRAY .....	1
178	27736G01						GASKET .....	1
179	75108G02						BRACKET.....	1
180	00100G4						SELF TAPPING SCREW, #10 - 16 X 1/2" LG .....	4
181	74533G01						SWIVEL GUN HOLDER WITH BASE PLATE .....	1
182	74365G01						GUN HOLDER REMOVABLE FLOOR MOUNT .....	1





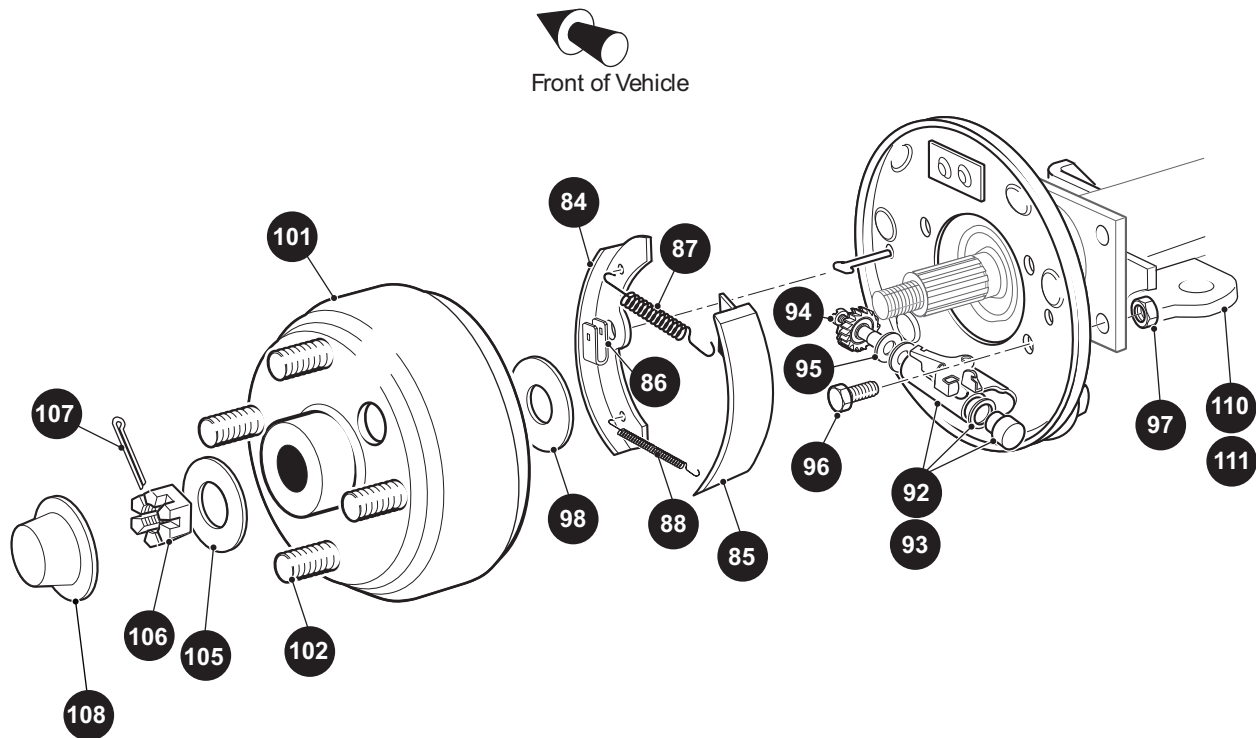
# BRAKES





# BRAKES

- 82 BRAKE ASSEMBLY (Driver Side) includes items 84 - 92
- 83 BRAKE ASSEMBLY (Passenger Side) includes items 84 - 91, 93



# BRAKES

When ordering parts, please specify the model and serial number of the product.

\* Indicates a component that is not available as an individual part.

\*\*\* Indicates consult Customer Service Department for additional information.

ITEM	PART NO.	1 2 3 4 5	DESCRIPTION	QTY.
1	70612G02		BRAKE PEDAL ASSEMBLY (WITHOUT BRAKE LIGHTS) (INCLUDES ITEMS 2 - 10) .....	1
2	70681G01		TORSION SPRING.....	2
3	70682G01		PIVOT PIN.....	1
4	01071G01		PUSHNUT, 5/16" .....	1
5	70259G02		BRAKE PEDAL.....	1
6	641748		PARK BRAKE PEDAL .....	1
7				
8	70257G01		SERVICE BRAKE PAD.....	1
9	70256G01		PARK BRAKE PEDAL PAD .....	1
10	16409G1		OVAL RIVET, 3/16" X 3/8" LG .....	9
11	28083G01		BRAKE COMPENSATOR BUMPER.....	2
12	70582G01		SHOULDER BOLT, 3/8 - 16 X 4" LG.....	1
13	70581G01		FLANGED BUSHING.....	2
14	70676G01		TORSION SPRING .....	1
15	00643G1		FLAT WASHER, 3/8" .....	1
16	11098G5		LOCK NUT, 3/8 - 16 .....	1
17	612558		COMPENSATOR ASSEMBLY (INCLUDES ITEMS 18 - 27).....	1
18	00532G4		LOCK NUT, 5/16 - 24.....	2
19	00963G01		SPHERICAL NUT, 5/16 - 24 .....	1
20	11098G9		LOCK NUT, 5/16 - 24.....	1
21	15121G1		FLAT WASHER, 3/8 .....	2
22	23061G2		TUBE .....	1
23	28082G01		EQUALIZER BRACKET .....	1
24	17979G1		ACCELERATOR ROD BUSHING.....	1
25	23463G1		COMPRESSION SPRING .....	1
26	27330G01		BRAKE YOKE .....	1
27	612557		LINK ROD.....	1
28	01038G01		SWAGEFORM SCREW, 1/4 - 20 (NOT ILLUSTRATED).....	1
29	01111G01		RETAINING RING, S.S. ....	4
30	10386G3		CLEVIS PIN, 5/16" X 1" LG.....	3

# BRAKES

When ordering parts, please specify the model and serial number of the product.

\* Indicates a component that is not available as an individual part.

\*\*\* Indicates consult Customer Service Department for additional information.

ITEM	PART NO.	1 2 3 4 5	DESCRIPTION	QTY.
31	10387G3		COTTER PIN, 3/32" X 3/4" LG .....	3
32	14443G2		CLEVIS PIN, 5/16" X 3/4" LG .....	2
33				
34	70601G01		KICK-OFF LINK.....	1
35	17838G1		NYLON BUSHING.....	2
36	20835G1		TEFLON WASHER, 3/8" .....	2
37	00559G8		FLAT WASHER, 5/16" .....	2
38	10387G3		COTTER PIN, 3/32" X 3/4" LG .....	2
39	70098G01		KICK-OFF CAM PIVOT .....	1
40	10097G6		FLANGED BEARING .....	2
41	70587G01		KICK-OFF CAM.....	1
42	71215G01		SETSCREW, 1/4 - 20 X 1/2" LG.....	2
43	14134G4		SPACER .....	1
44				
45	70113G01		ADJUSTABLE BUMPER .....	1
46	11027G1		LOCK NUT, 5/16 - 18.....	1
47	12416G2		NYLON WEDGE LOCK CLAMP (NOT ILLUSTRATED) .....	3
48	70080G02		CATCH BRACKET.....	1
49	00414G6		BOLT, 1/4 - 20 X 3/4" LG .....	2
50	14390G4		LOCK NUT, 1/4 - 20.....	2
51	624700		BRAKE CABLE (DRIVER SIDE) .....	1
52	624698		BRAKE CABLE (PASSENGER SIDE).....	1
53	70690G02		BRAKE PEDAL ASSEMBLY (WITH BRAKE LIGHTS) (INCLUDES ITEMS 54 - 80) .....	1
54	70686G02		BRAKE PEDAL .....	1
55	641748		PARK BRAKE PEDAL.....	1
56				
57	70257G01		SERVICE BRAKE PAD .....	1
58	70256G01		PARK BRAKE PAD .....	1
59	16409G1		OVAL RIVET, 3/16" x 3/8" LG.....	9
60				
61	70258G03		BRAKE PEDAL PLATE .....	1

# BRAKES

When ordering parts, please specify the model and serial number of the product.

\* Indicates a component that is not available as an individual part.

\*\*\* Indicates consult Customer Service Department for additional information.

ITEM	PART NO.	1 2 3 4 5	DESCRIPTION	QTY.
62	70682G01		PIVOT PIN.....	1
63	70681G01		TORSION SPRING.....	2
64	01071G01		PUSHNUT, 5/16" .....	1
65	00737G8		SCREW, #10 - 24 X 1" LG.....	4
66	00739G1		RUBBER NUT, #10 - 24 .....	2
67	652355		BRAKE PEDAL SPACER .....	2
68	27137G01		CONICAL SPRING.....	2
69	14390G10		LOCK NUT, #10 - 24.....	2
70	10606G8		MICRO SWITCH .....	1
71	00645G2		SCREW, #6 - 32 X 1 1/4" LG.....	2
72	00559G5		LOCK WASHER, #10 .....	2
73	00559G3		FLAT WASHER, #6 .....	4
74	00565G3		LOCK WASHER, #6 .....	2
75	00525G5		NUT, #6 - 32 .....	2
76	13514G1		SCREW AND LOCK WASHER, #6 .....	2
77	00642G8		FLAT WASHER - 5/16" .....	2
78	14628G1		FASTON TAB.....	2
79	24605G1		WIRE HARNESS (BRAKE LIGHT).....	1
80	17618G1		WIRE TIE.....	2
81				
82	612189		BRAKE ASSEMBLY (DRIVER SIDE) (INCLUDES ITEMS 84 - 92).....	1
83	612211		BRAKE ASSEMBLY (PASSENGER SIDE) (INCL. ITEMS 84 - 91, 93) .....	1
84	*		BRAKE SHOE (LEADING) .....	2
85	*		BRAKE SHOE (TRAILING) .....	2
86	*		SHOE CLAMP .....	2
87	*		UPPER SPRING .....	1
88	*		LOWER SPRING.....	1
89				
90				
91				
92	612417		BRAKE ADJUSTER KIT (DRIVER SIDE).....	1

# BRAKES

When ordering parts, please specify the model and serial number of the product.

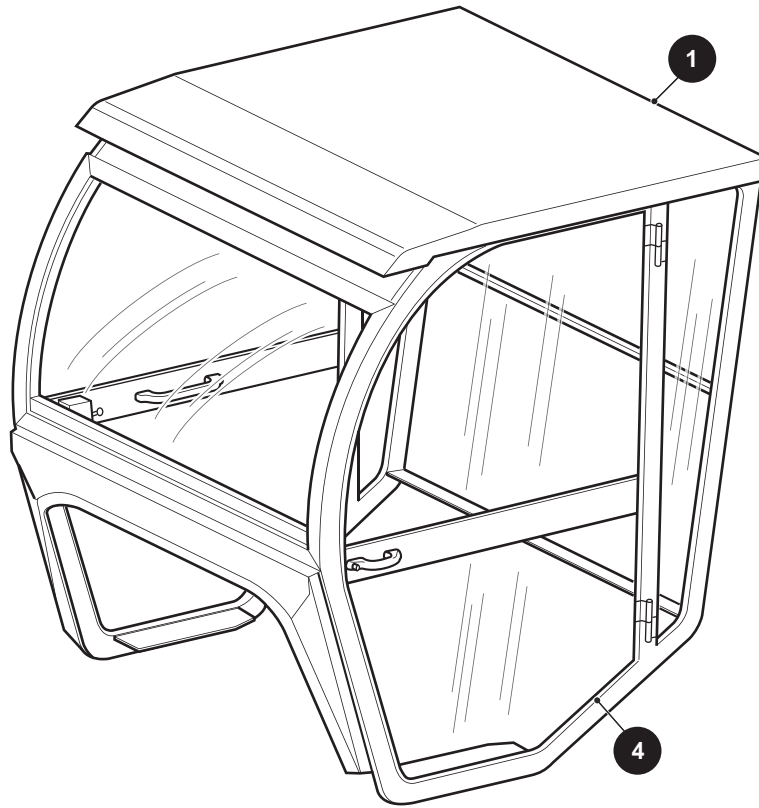
\* Indicates a component that is not available as an individual part.

\*\*\* Indicates consult Customer Service Department for additional information.

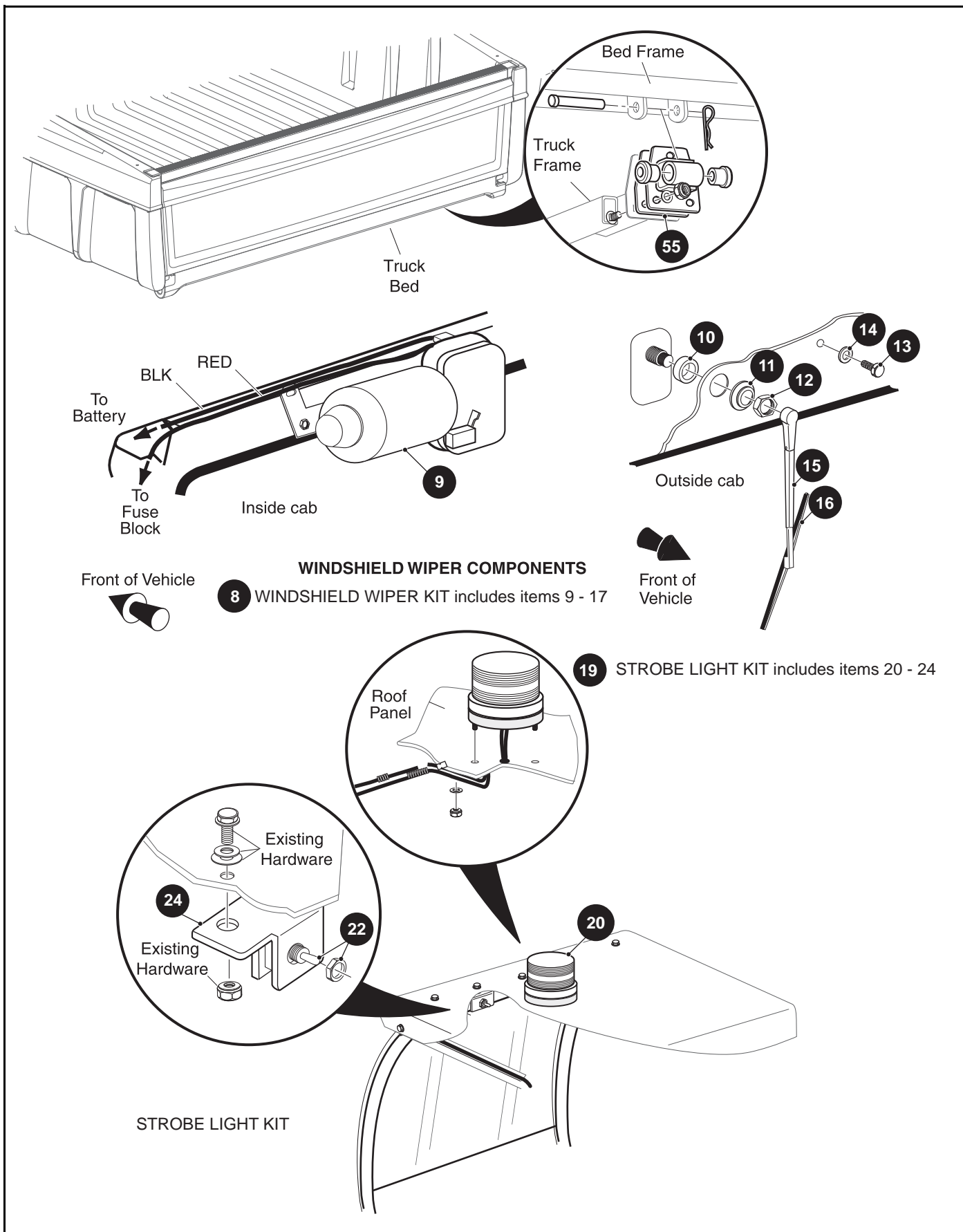
ITEM	PART NO.	1	2	3	4	5	DESCRIPTION	QTY.
93	612418						BRAKE ADJUSTER KIT (PASSENGER SIDE).....	1
94								
95								
96	17083G2						BOLT, 5/16 - 24 X 1" LG .....	8
97	15126G1						LOCK NUT, 5/16 - 24.....	8
98	21809G1						INNER BRAKE DRUM WASHER, 1 5/16" OD X 1" ID X 1/32" .....	2
99								
100	21807G2						BRAKE DRUM ASSEMBLY (INCLUDES ITEMS 101 - 102).....	2
101	20947G1						BRAKE DRUM .....	1
102	19862G1						LUG BOLT, 1/2 - 20.....	4
103								
104								
105	606945						OUTER BRAKE DRUM WASHER .....	2
106	606403						SLOTTED NUT, 3/4 - 16.....	2
107	10387G1						COTTER PIN, 1/8" X 1 1/2" LG .....	2
108	74175G01						SPINDLE CAP.....	2
109								
110	608200						BRAKE CABLE BRACKET (PASSENGER SIDE).....	1
111	608201						BRAKE CABLE BRACKET (DRIVER SIDE) .....	1



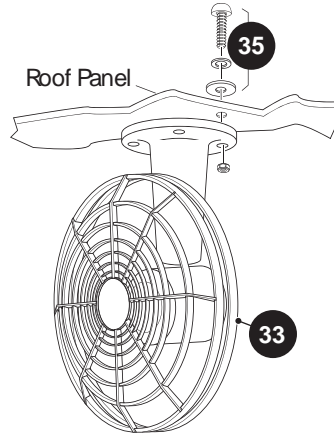
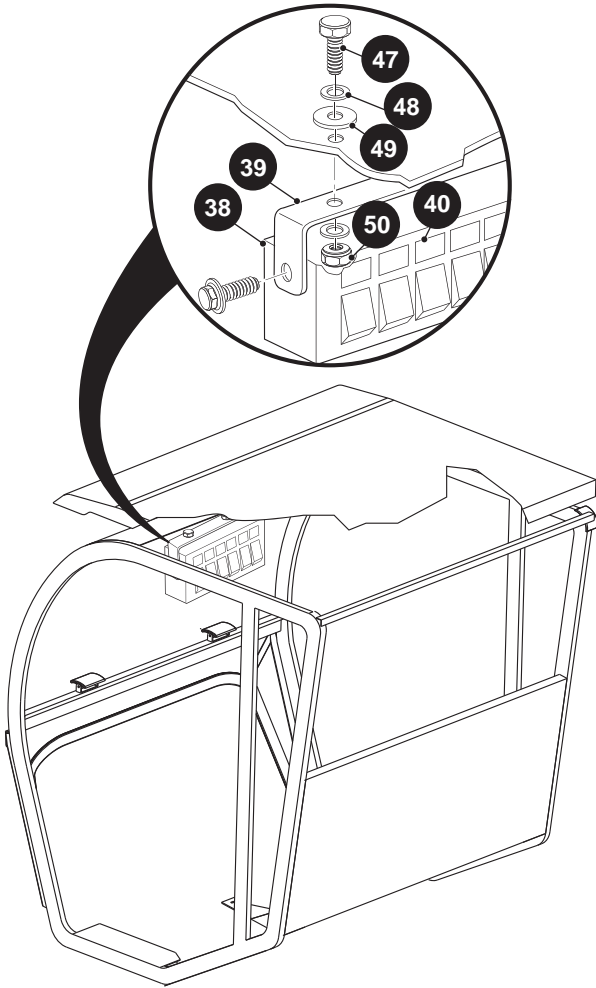




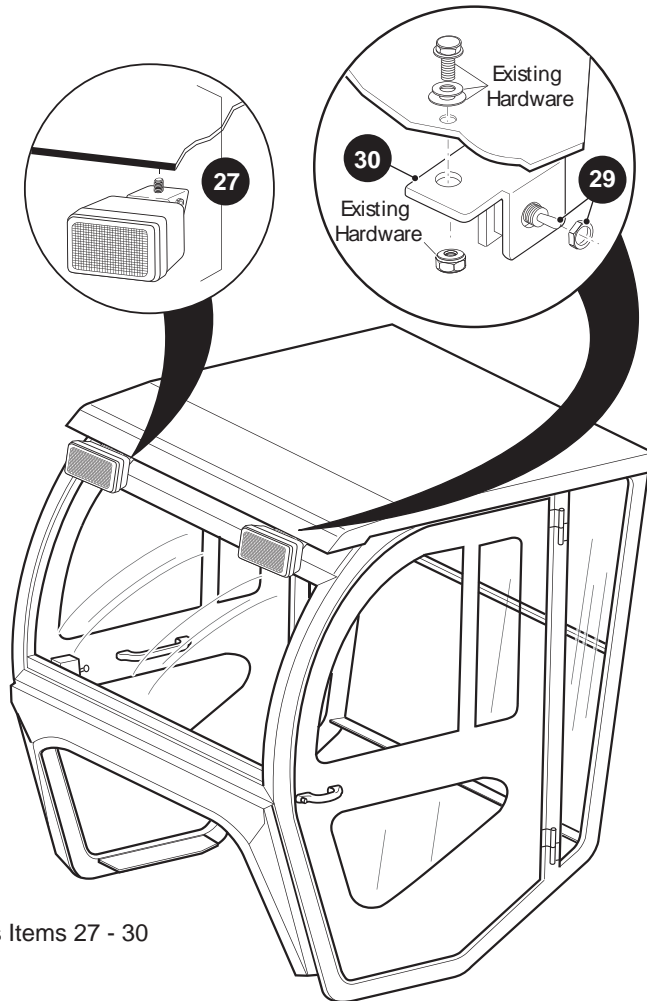
Steel Doors Shown



**37** SWITCH PANEL KIT includes items 37 - 52



**32** DEFROSTER / COOLING FAN KIT includes items 33 - 35



**26** WORKLIGHT KIT Includes Items 27 - 30

When ordering parts, please specify the model and serial number of the product.

\* Indicates a component that is not available as an individual part.

\*\*\* Indicates consult Customer Service Department for additional information.

ITEM	PART NO.	1 2 3 4 5	DESCRIPTION	QTY.
1	72684G**		STEEL CAB (WITHOUT DOORS) REPACEMENT PARTS AND ACCESSORIES MAY BE OBTAINED FROM CURTIS CAB, INC.) .....	1
2				
3				
4	75856G03		STEEL - OTHER DOOR KIT.....	1
5	75856G01		STEEL - TAN DOOR SET.....	1
6	75855G01		VINYL - TAN DOOR SET.....	1
7				
8	74244G01		WINDSHIELD WIPER KIT (INCLUDES ITEMS 9 -17) .....	1
9	9PWM85		WIPER MOTOR (INCLUDES ITEMS 10 - 14).....	1
10	*		SPACER.....	1
11	*		SHAFT COVER (SEAL) .....	1
12	*		NUT.....	1
13	*		BOLT.....	1
14	*		WASHER .....	1
15	9PWA		WIPER ARM.....	1
16	9PWB		WINDSHIELD WIPER BLADE .....	1
17	9E003		ELECTRICAL HARDWARE KIT (NOT ILLUSTRATED).....	1
18				
19	74245G01		STROBE LIGHT KIT (INCLUDES ITEMS 20 - 24) .....	1
20	9PSLRL		STROBE LENS .....	1
21	9E001		ELECTRICAL HARDWARE KIT (NOT ILLUSTRATED).....	1
22	9E002		TOGGLE SWITCH.....	1
23	9PSLRB		REPLACEMENT BULB (NOT ILLUSTRATED).....	1
24	9PB001		BRACKET.....	1
25				
26	74247G01		WORK LIGHT KIT (INCLUDES ITEMS 27 - 30).....	1
27	9LW1A		WORK LIGHT (INCLUDES HARDWARE) .....	2
28	9E001		ELECTRICAL HARDWARE KIT (NOT ILLUSTRATED).....	1
29	9E002		TOGGLE SWITCH.....	1
30	9PB001		BRACKET.....	1

When ordering parts, please specify the model and serial number of the product.

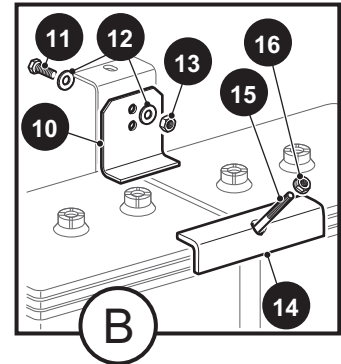
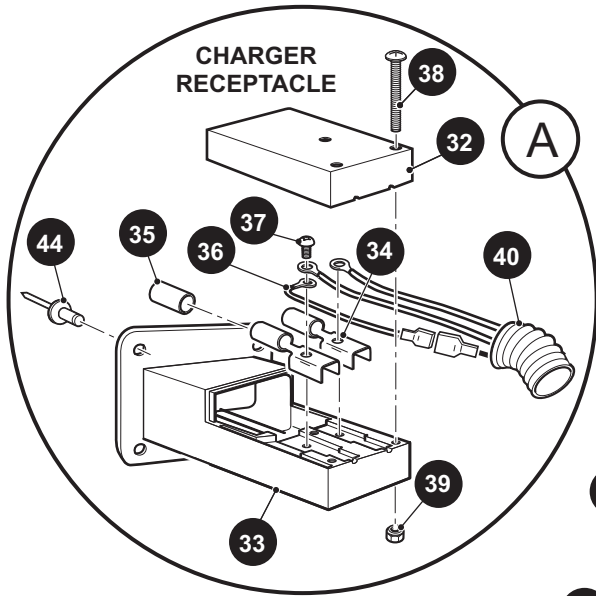
\* Indicates a component that is not available as an individual part.

\*\*\* Indicates consult Customer Service Department for additional information.

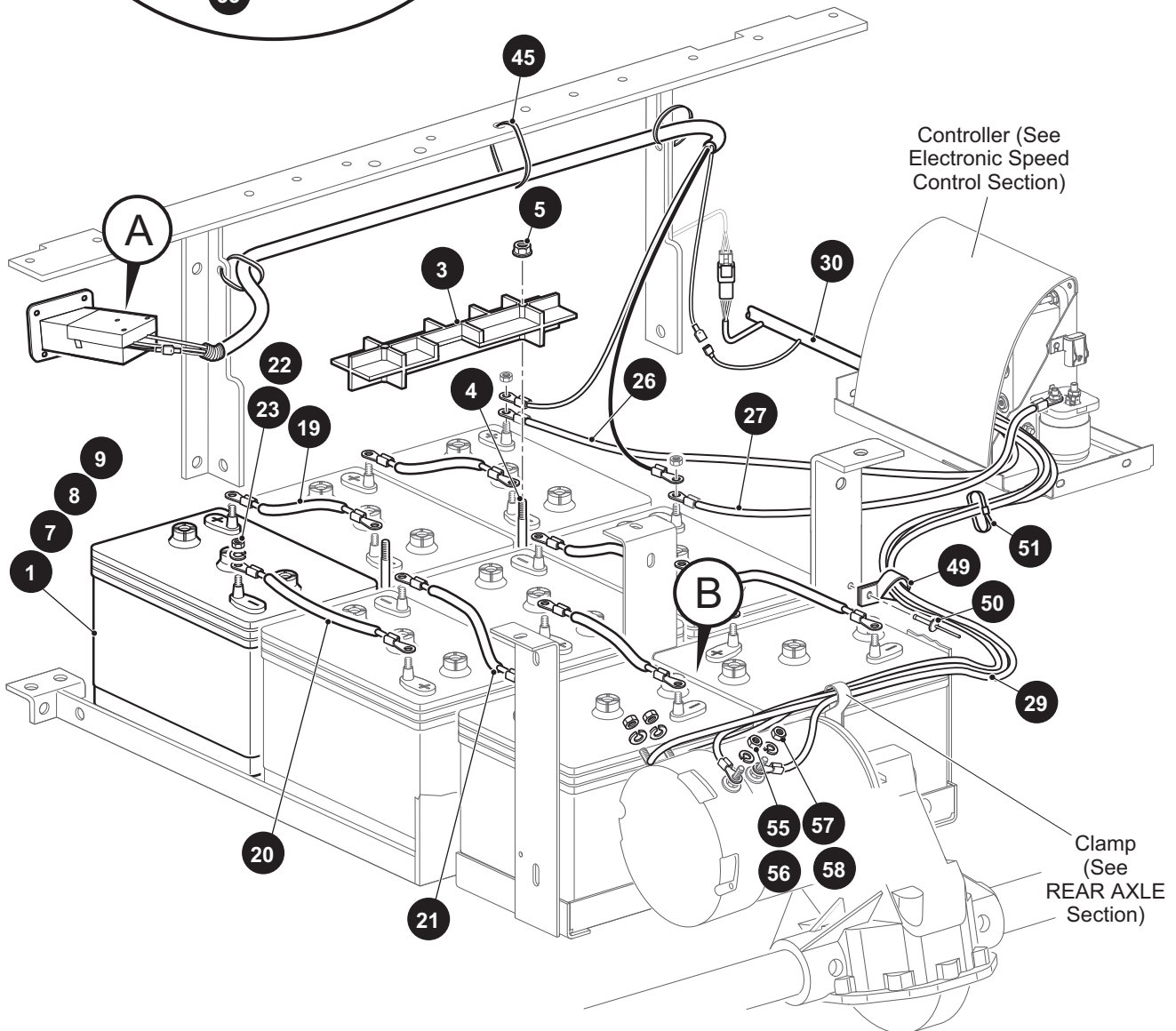
ITEM	PART NO.	1	2	3	4	5	DESCRIPTION	QTY.
31								
32	74248G01						DEFROSTER / COOLING FAN KIT (INCLUDES ITEMS 33 - 35) .....	1
33	9PDF						FAN .....	1
34	9E001						ELECTRICAL HARDWARE KIT (NOT ILLUSTRATED) .....	1
35	9PFHK						HARDWARE KIT.....	1
36								
37	74250G01						SWITCH PANEL KIT (INCLUDES ITEMS 38 - 52) .....	1
38	9PSF1001						SWITCH PANEL .....	1
39	9PSF1002						MOUNTING BRACKET AND HARDWARE .....	1
40	9PSF1003						ADHESIVE LABELS .....	1
41	9PSF1004						3 AMP FUSE (NOT ILLUSTRATED).....	2
42	9PSF1005						5 AMP FUSE (NOT ILLUSTRATED).....	3
43	9PSF1006						7.5 AMP FUSE (NOT ILLUSTRATED).....	1
44	9PSF1007						FLEX LOOM, 5/8" X 10 FT LG (NOT ILLUSTRATED).....	1
45	9PSF1008						4-WAY BASE TIE (NOT ILLUSTRATED).....	6
46	9PSF1009						WIRE TIE (NOT ILLUSTRATED).....	14
47	9PSF1010						BOLT, 1/4 - 20 X 7/8" LG.....	2
48	9PSF1011						FLAT WASHER, 1/4".....	4
49	9PSF1012						NYLON WASHER, 1/4".....	2
50	9PSF1013						LOCK NUT, 1/4 - 20 .....	2
51	9PSF1014						10 GA WIRE (RED 8") (NOT ILLUSTRATED) .....	1
52	9PSF1015						10 GA WIRE (BLACK 8") (NOT ILLUSTRATED).....	1
53								
54								
55	6E03T						BED SPACER.....	2



# ELECTRICAL SYSTEM



**31** CHARGER RECEPTACLE ASSEMBLY includes items 32 - 40





# ELECTRICAL SYSTEM

When ordering parts, please specify the model and serial number of the product.

\* Indicates a component that is not available as an individual part.

\*\*\* Indicates consult Customer Service Department for additional information.

ITEM	PART NO.	1 2 3 4 5	DESCRIPTION	QTY.
1	72824G01		6 VOLT BATTERY .....	8
2				
3	612867		BATTERY RETAINER .....	1
4	01101G01		HOLD DOWN BOLT (SS) .....	2
5	11027G1		LOCK NUT, 5/16" - 18.....	2
6				
7	614428		6 VOLT BATTERY, T105, HYDROLINK .....	8
8	72826G01		6 VOLT BATTERY, T145 .....	8
9	614430		6 VOLT BATTERY, T145, HYDROLINK .....	8
10	73218G02		BATTERY RETAINER ANGLE .....	1
11	00438G6		HEX HEAD BOLT, 5/16" - 18 X 3/4" LG .....	1
12	00559G8		FLAT WASHER, 5/16" .....	2
13	11098G6		LOCK NUT, 5/16" - 18.....	1
14	11841G1		BATTERY RETAINER ANGLE INNER.....	1
15	01087G01		HOLD DOWN BOLT (SS) .....	1
16	11027G1		LOCK NUT, 5/16" - 18.....	1
17				
18				
19	25971G18		4 GA WIRE (BATTERY INTERCONNECT, BLACK, 6").....	2
20	25971G13		4 GA WIRE (BATTERY INTERCONNECT, BLACK, 10 1/2").....	1
21	25971G14		4 GA WIRE (BATTERY INTERCONNECT, BLACK, 15").....	4
22	00565G8		LOCK WASHER, 5/16" .....	16
23	00702G2		HEX NUT, 5/16" - 18 .....	16
24				
25				
26	25971G15		4 GA WIRE (BATTERY +, BLACK, 17").....	1
27	25971G16		4 GA WIRE (BATTERY -, BLACK, 19").....	1
28				
29	74659G01		POWER HARNESS .....	1
30	74649G01		CONTROL HARNESS .....	1

# ELECTRICAL SYSTEM

When ordering parts, please specify the model and serial number of the product.

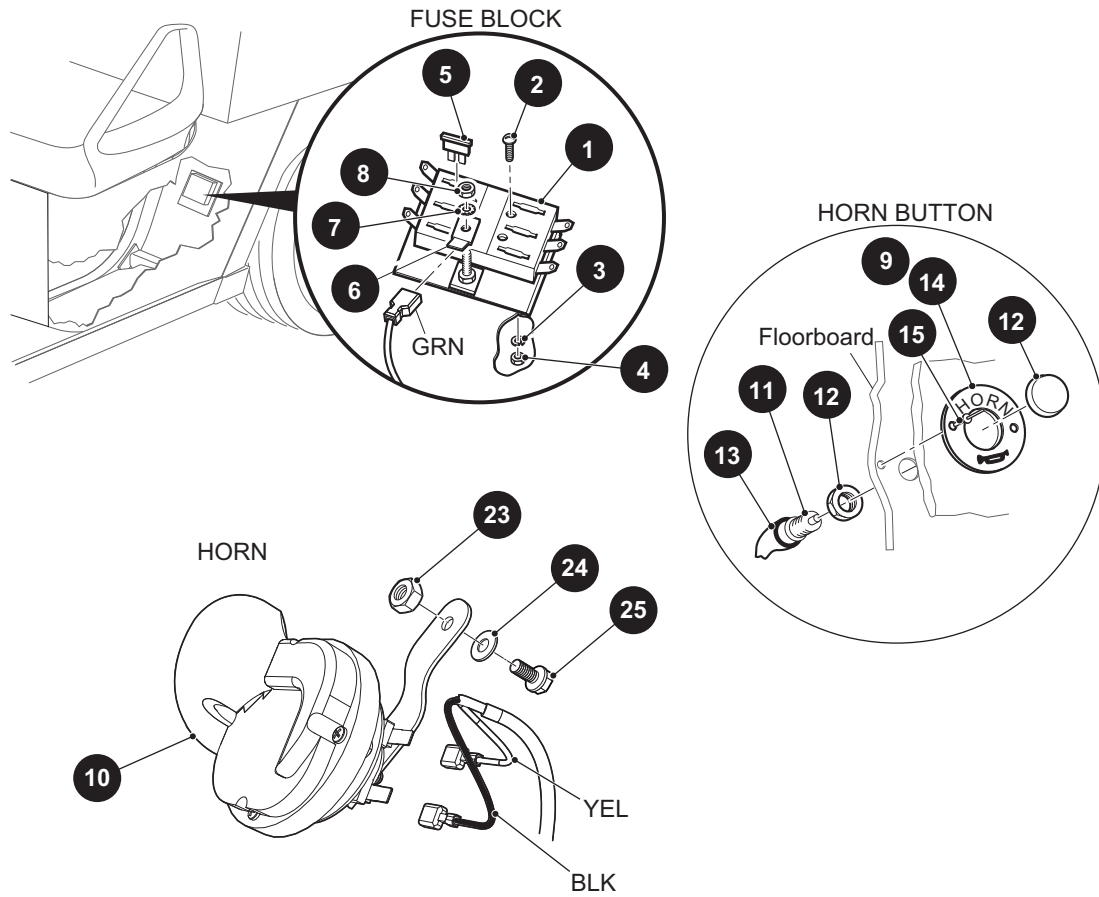
\* Indicates a component that is not available as an individual part.

\*\*\* Indicates consult Customer Service Department for additional information.

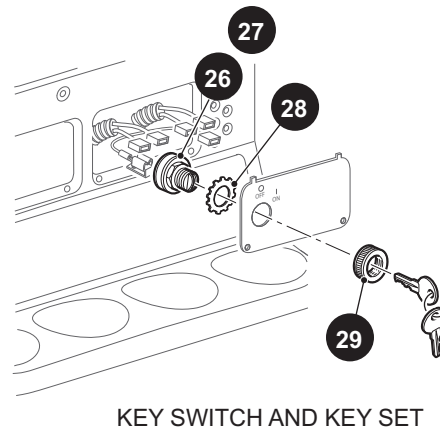
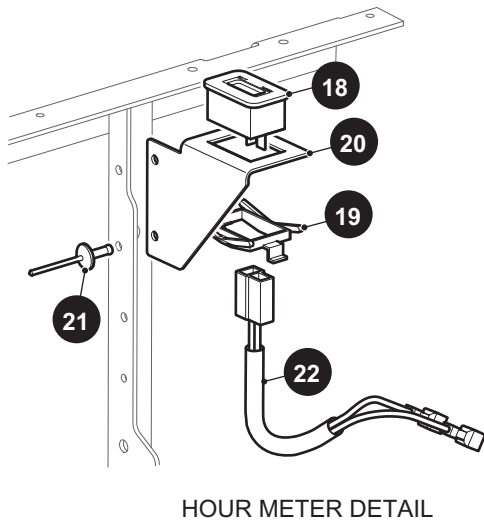
ITEM	PART NO.	1 2 3 4 5	DESCRIPTION	QTY.
31	609670		CHARGER RECEPTACLE ASSEMBLY (INCLUDES ITEMS 32 - 40) .....	1
32	*		RECEPTACLE COVER.....	1
33	*		RECEPTACLE BOTTOM .....	1
34	73051G23		FEMALE CONNECTOR.....	2
35	73051G24		INSULATOR SLEEVE .....	1
36	25978G25		18 GA WIRE (RED 9") .....	1
37	73051G08		SCREW (BRASS), #10 - 32 X 1/2" LG .....	2
38	73051G09		SCREW (SS), #6 - 32 X 1 3/4" LG .....	3
39	73051G10		LOCK NUT, #6 - 32 .....	3
40	609654		WIRE HARNESS (CHARGER).....	1
41				
42				
43				
44	14601G10		RIVET (ALUMINUM), 3/16" X 1" LG.....	4
45	17618G1		WIRE TIE.....	3
46				
47				
48				
49	27327G02		CABLE CLAMP .....	1
50	10570G11		RIVET (SS), 3/16" X 3/4" LG .....	1
51	17618G1		WIRE TIE.....	8
52				
53				
54				
55	00993G01		LOCK WASHER, 5/16" .....	5
56	28418G01		BRASS NUT, 5/16" - 18 .....	2
57	00993G02		LOCK WASHER, 1/4" .....	2
58	28418G02		LOCK NUT, 1/4" - 20 .....	2



# ELECTRICAL SYSTEM



17 HOUR METER KIT Includes Items 18 - 22



# ELECTRICAL SYSTEM

When ordering parts, please specify the model and serial number of the product.

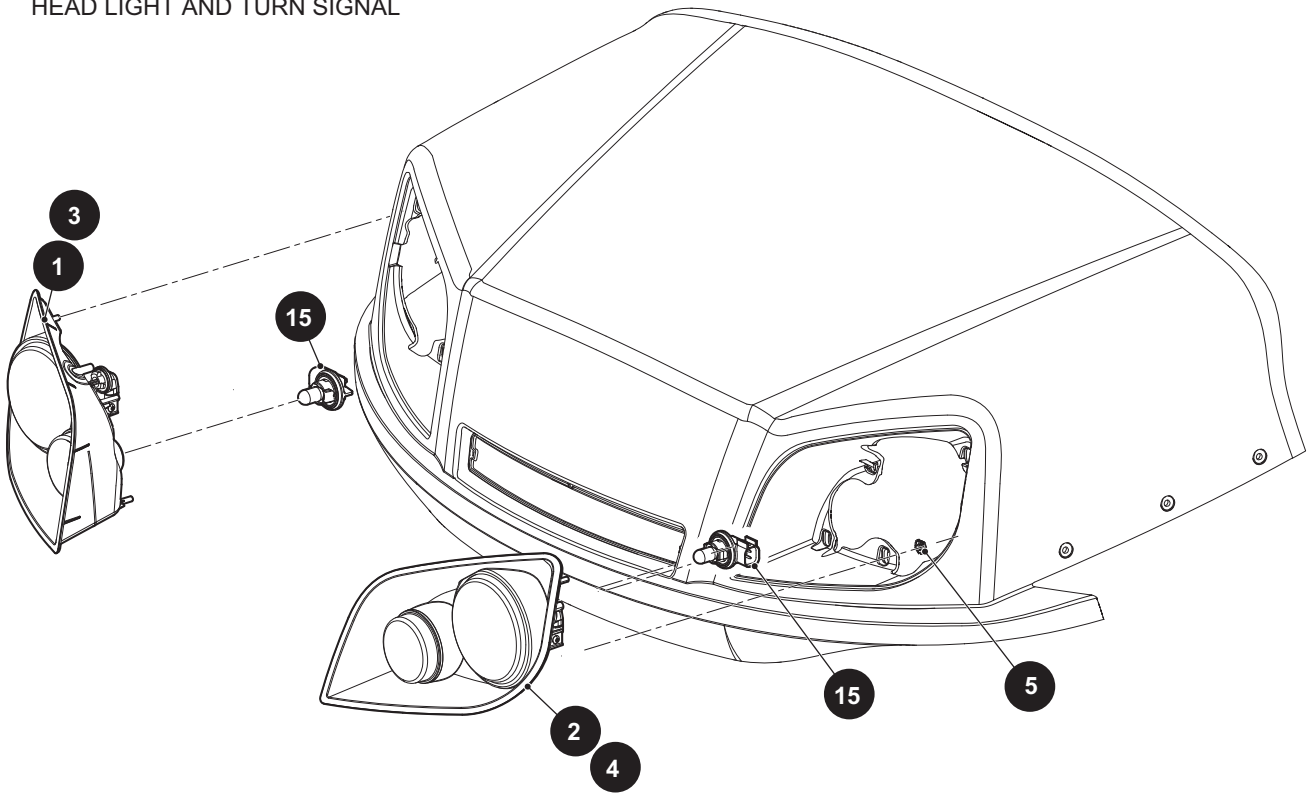
\* Indicates a component that is not available as an individual part.

\*\*\* Indicates consult Customer Service Department for additional information.

ITEM	PART NO.	1 2 3 4 5	DESCRIPTION	QTY.
1	35211G01		FUSE BLOCK (6 POSITION).....	1
2	00379G2		PAN HEAD PHILLIPS SCREW, #10 - 24 X 1 1/4" LG .....	2
3	00559G5		FLAT WASHER, #10 .....	2
4	14390G10		LOCK NUT, #10 - 24 .....	2
5	35212G01		FUSE, 15 AMP .....	AR
6	12914G1		PUSH ON MALE TERMINAL.....	1
7	00567G5		LOCK WASHER, #10.....	1
8	00526G4		HEX NUT, #10 - 32.....	1
9	608397		HORN PLATE .....	1
10	32860G01		HORN.....	1
11	17318G1		HORN SWITCH .....	1
12	17318G2		HORN SWITCH CAP AND NUT .....	1
13	27068G01		HORN SWITCH BOOT .....	1
14	19233G1		HORN SWITCH LABEL .....	1
15	71055G01		RIVET (ALUMINUM), 3/16" X 1" .....	2
16				
17	74914G02		HOUR METER KIT (INCLUDES ITEMS 18 - 22).....	1
18	74665G02		HOUR METER .....	1
19	74696G01		HOUR METER RETAINER CLIP.....	1
20	74716G02		HOUR METER BRACKET.....	1
21	10570G11		RIVET (SS), 3/16" X 3/4" .....	2
22	74908G01		WIRE HARNESS (HOUR METER) .....	1
23	14390G4		LOCK NUT, 1/4" - 20 .....	1
24	01110G01		FLAT WASHER (SS), 1/4".....	1
25	00414G5		HEX HEAD CAP SCREW, 1/4" - 20 X 5/8" LG .....	1
26	33639G03		KEY SWITCH (WITH LIGHTS - INDIVIDUALLY KEYED).....	1
27	33639G**		KEY SWITCH (WITH LIGHTS) .....	1
28	00568G6		LOCK WASHER, 3/4" .....	1
29	17137G1		FACE NUT, 3/4" - 20 .....	1
30				

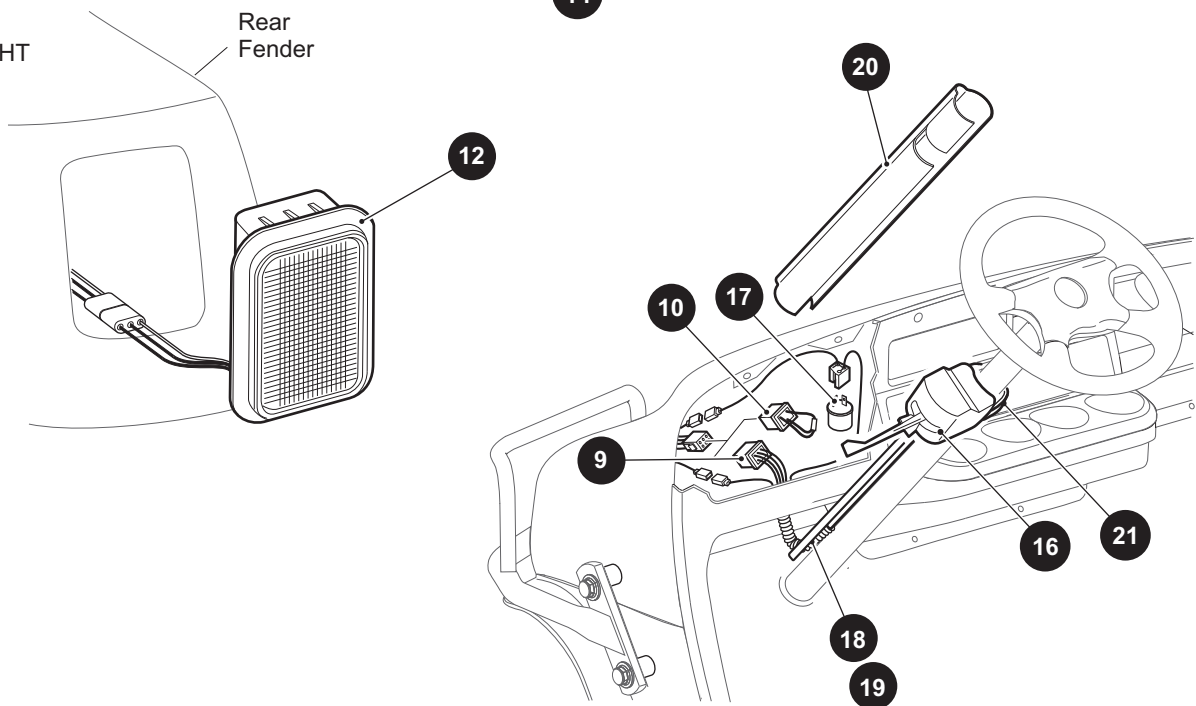
# ELECTRICAL SYSTEM

## HEAD LIGHT AND TURN SIGNAL



14 TURN SIGNAL KIT includes items 15 - 21

## TAILLIGHT



# ELECTRICAL SYSTEM

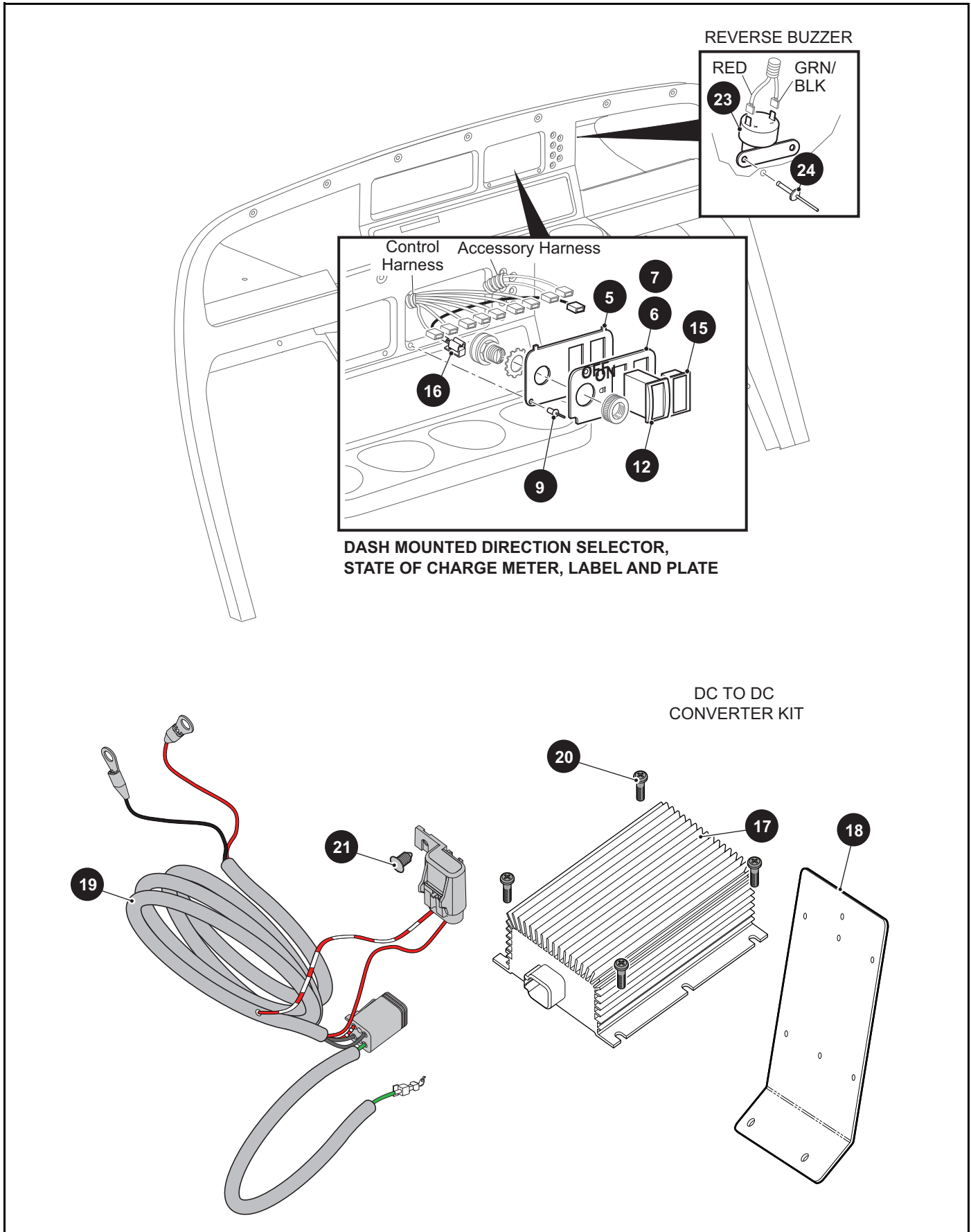
When ordering parts, please specify the model and serial number of the product.

\* Indicates a component that is not available as an individual part.

\*\*\* Indicates consult Customer Service Department for additional information.

ITEM	PART NO.	1 2 3 4 5	DESCRIPTION	QTY.
1	614497		HEADLIGHT W/O TURN SIGNAL (PASSENGER SIDE) .....	1
2	614501		HEADLIGHT W/O TURN SIGNAL (DRIVER SIDE) .....	1
3	618556		LED HEADLIGHT W/O TURN SIGNAL (PASSENGER SIDE) .....	1
4	618555		LED HEADLIGHT W/O TURN SIGNAL (DRIVER SIDE) .....	1
5	71597G01		SELF THREADING NUT, 5MM X 10MM X 15MM .....	8
6				
7				
8				
9	619155		WIRE HARNESS (ACCESSORY), 48V DC, SWB.....	1
10	75711G01		JUMPER PLUG, TAILLIGHT .....	1
11				
12	32739G2		TAILLIGHT .....	1
13				
14	622712		TURN SIGNAL KIT (INCLUDES ITEMS 15 - 21).....	1
15	619102		TURN SIGNAL BULB .....	1
16	611810		TURN SIGNAL SWITCH ASSEMBLY (INCLUDES ITEM 17) .....	1
17	21640G1		FLASHER UNIT .....	1
18	32307G3		FLEX LOOM, 3/8" X 8" LG .....	1
19	17618G1		WIRE TIE.....	2
20	20965G3		STEERING COLUMN COVER.....	1
21	17618G1		CLAMP .....	2

# ELECTRICAL SYSTEM





# ELECTRICAL SYSTEM

When ordering parts, please specify the model and serial number of the product.

\* Indicates a component that is not available as an individual part.

\*\*\* Indicates consult Customer Service Department for additional information.

ITEM	PART NO.	1 2 3 4 5	DESCRIPTION	QTY.
1				
2				
3				
4				
5	73030G12		PLATE (KEY SWITCH, DIRECTION SELECTOR, CHARGE METER) .....	1
6	604753		LABEL.....	1
7	74322G01		LABEL (KEY SWITCH WITH LIGHTS, DIRECTION SELECTOR, CHARGE METER).....	1
8				
9	33623G02		DRIVE RIVET, 3/16" X 3/8" .....	2
10				
11				
12	624514G02		DIRECTION SELECTOR SWITCH (DASH MOUNTED) .....	1
13				
14				
15	33636G05		STATE OF CHARGE METER (VERTICAL) .....	1
16	25978G74		18 GA WIRE (RED 6") .....	1
17	604884		DC TO DC CONVERTER .....	1
18	607416		BRACKET .....	1
19	605888		DC TO DC WIRING HARNESS.....	1
20	00379G4		PAN HEAD PHILLIPS SCREW, #10 - 24 X 1/2" LG .....	6
21	16816G5		CHRISTMAS TREE RIVET, .187" X .55".....	1
22				
23	73290G02		REVERSE WARNING BUZZER (CONTINUOUS TONE).....	1
24	01041G01		RIVET, 1/8" X 13/16" .....	2

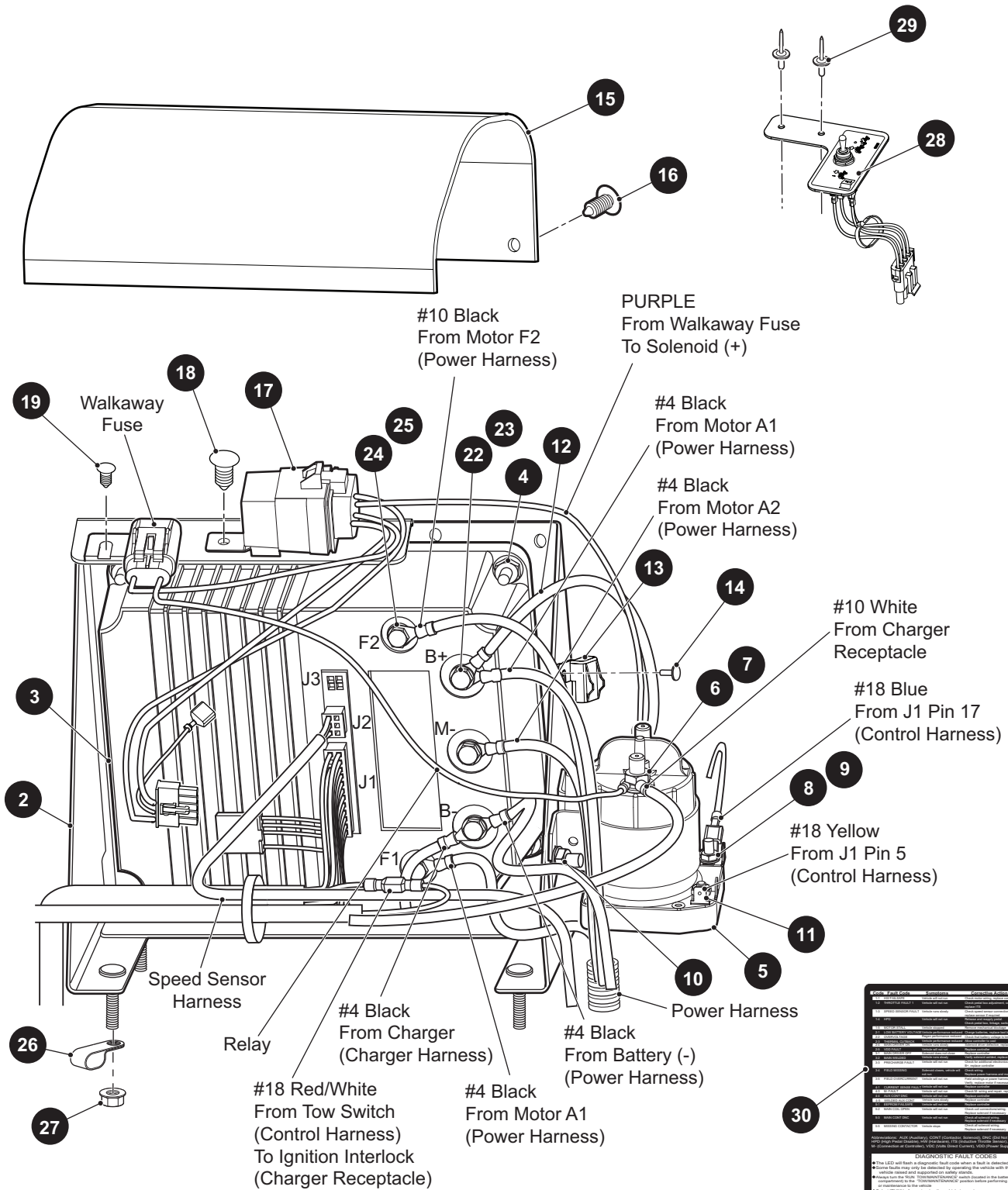
## Notes:

A large grid of graph paper for taking notes, consisting of 30 columns and 30 rows of small squares.



# ELECTRONIC SPEED CONTROL

1 ELECTRONIC SPEED CONTROL ASSEMBLY includes items 2 - 19



# ELECTRONIC SPEED CONTROL

When ordering parts, please specify the model and serial number of the product.

\* Indicates a component that is not available as an individual part.

\*\*\* Indicates consult Customer Service Department for additional information.

ITEM	PART NO.	1 2 3 4 5	DESCRIPTION	QTY.
1	73348G04		ELECTRONIC SPEED CONTROL ASSEMBLY (INCLUDES ITEMS 2 -19) .....	1
2	73351G01		CONTROLLER MOUNT BRACKET .....	1
3	611173		ELECTRONIC SPEED CONTROLLER.....	1
4	11027G2		LOCK NUT, 1/4" - 20 .....	4
5	621330		SOLENOID .....	1
6	00565G5		LOCK WASHER, #10 .....	2
7	00526G4		LOCK NUT, #10 - 32.....	2
8	00565G8		LOCK WASHER, 5/16" .....	2
9	00544G4		JAM NUT, 5/16" - 24 .....	2
10	11027G2		LOCK NUT, 1/4" - 20 .....	2
11	73446G01		FASTON TAB, 90° .....	4
12	25971G17		4 GA WIRE (BLACK 9").....	1
13	73499G01		INLINE FUSE COVER.....	1
14	15058G1		RIVET (ALUMINUM), 3/16" X 7/16" LG .....	1
15	73523G01		CONTROLLER COVER .....	1
16	16816G1		RATCHET FASTENER, 1/4" X 9/16" LG .....	4
17	608931		WALKAWAY RELAY HARNESS, 48V .....	1
18	16816G2		RIVET, 0.25" X 0.887" .....	1
19	16816G5		RIVET, 0.187" X 0.550" .....	1
20				
21	35212G05		FUSE, 7.5 AMP (NOT ILLUSTRATED) .....	1
22	73296G01		BOLT, 8MM X 16MM LG .....	3
23	00993G01		LOCK WASHER, 5/16" (SILICON BRONZE).....	3
24	73876G01		FLANGED HEX HEAD BOLT, M6 - 1 X 12MM LG.....	2
25	00993G02		LOCK WASHER (SILICON BRONZE), 1/4" .....	2
26	73053G01		DOUBLE TUBE CLAMP .....	1
27	11027G2		LOCK NUT, 1/4 - 20 .....	4
28	636618		RUN/TOW SWITCH ASSEMBLY .....	1
29	15058G1		RIVET (ALUMINUM), 3/16" X 7/16" LG .....	2
30	73398G01		DIAGNOSTIC LABEL (FAULT CODE) .....	1

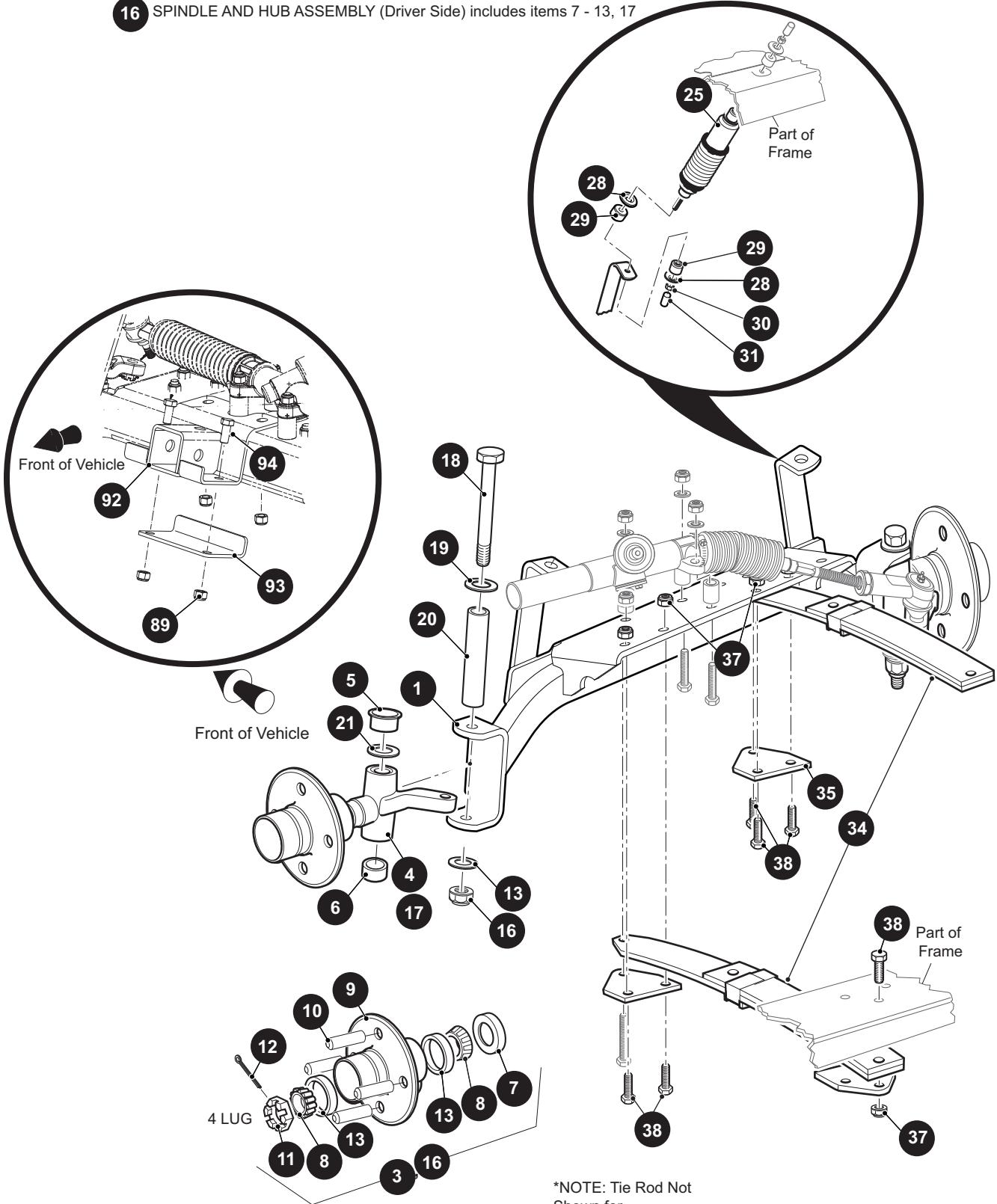




# FRONT SUSPENSION & STEERING

**3** SPINDLE AND HUB ASSEMBLY (Passenger Side) includes items 4 - 13

**16** SPINDLE AND HUB ASSEMBLY (Driver Side) includes items 7 - 13, 17

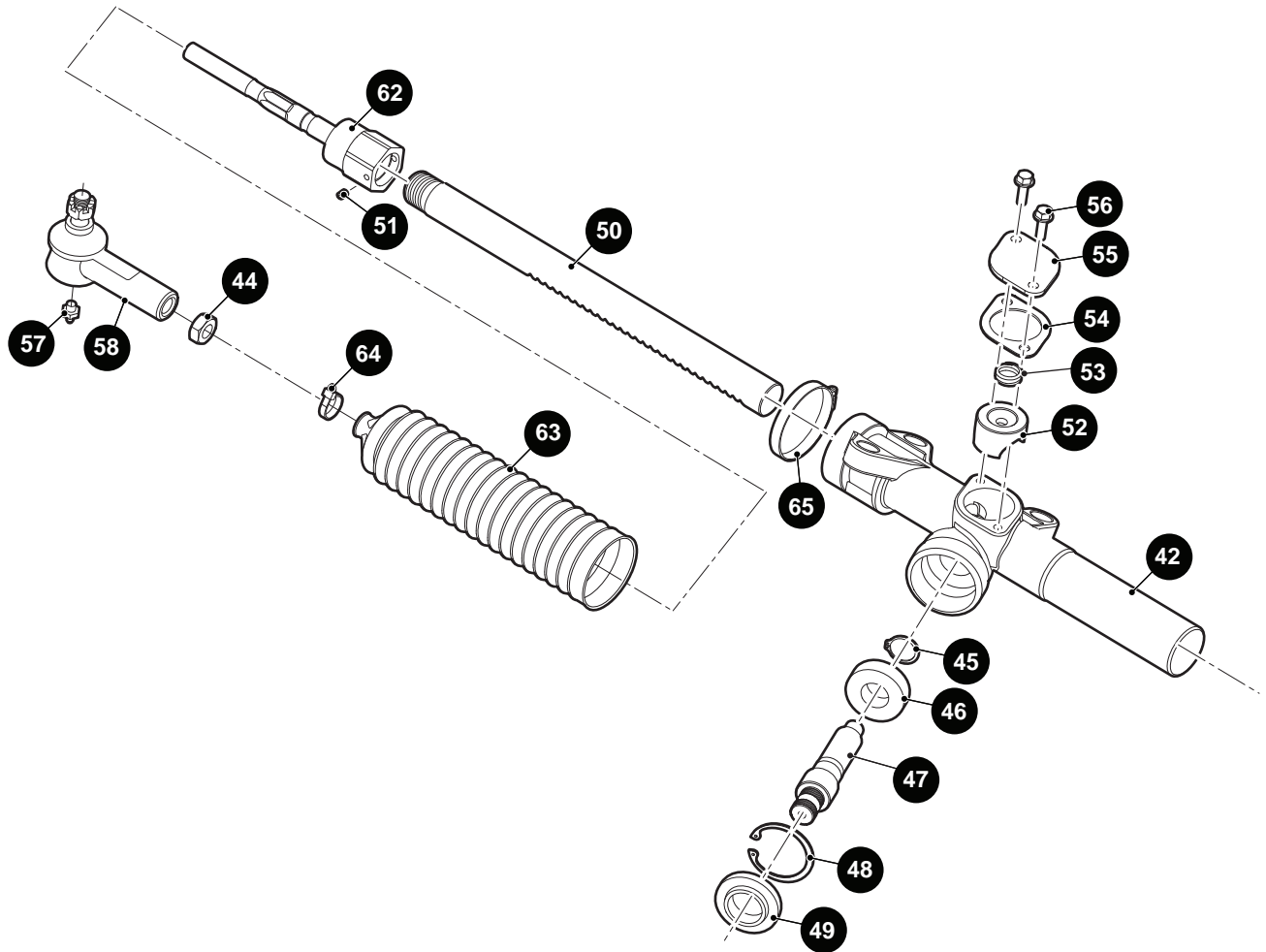


\*NOTE: Tie Rod Not Shown for Clarity



# FRONT SUSPENSION & STEERING

41 STEERING BOX ASSEMBLY includes items 42 - 65



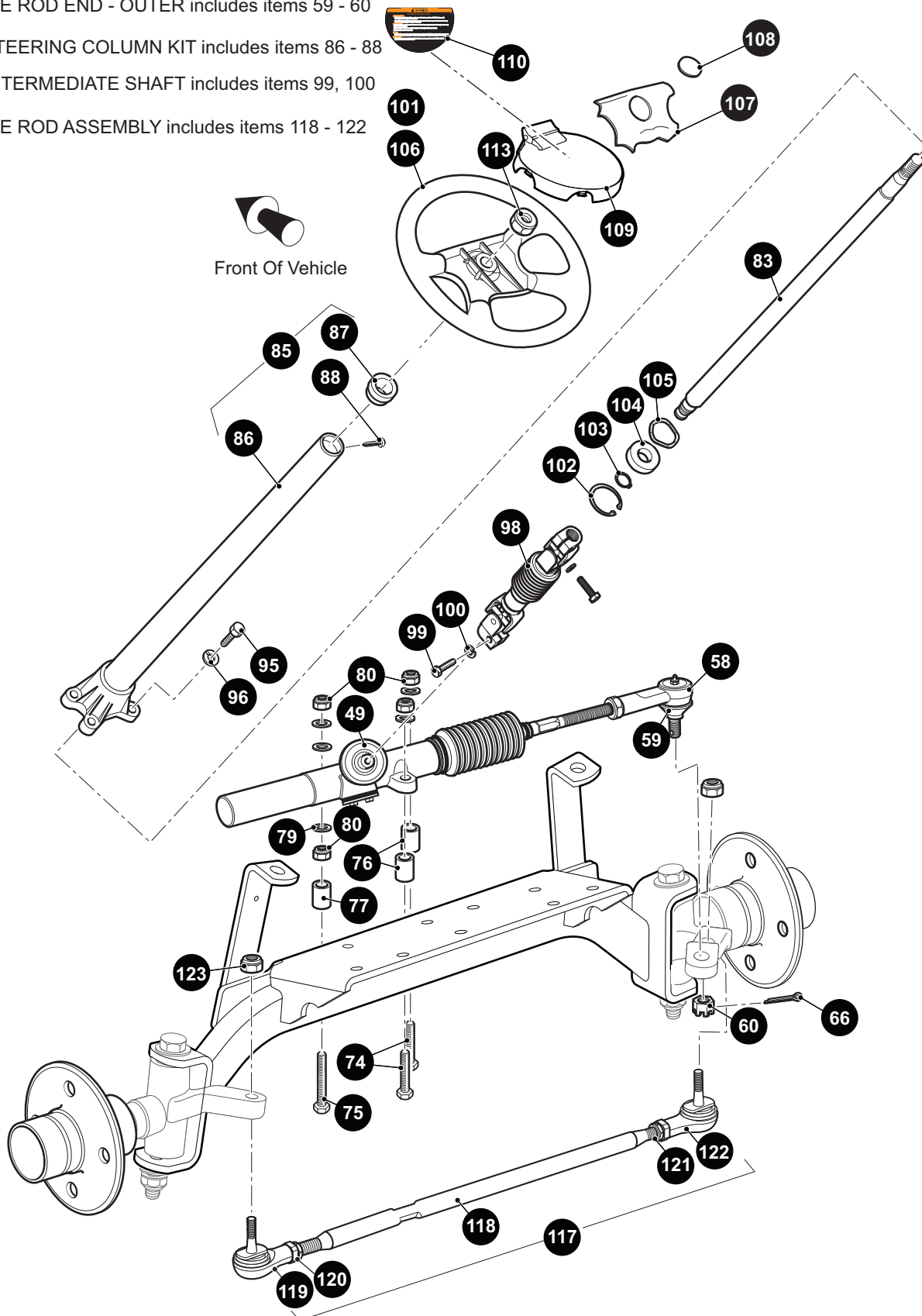
# FRONT SUSPENSION & STEERING

58 TIE ROD END - OUTER includes items 59 - 60

85 STEERING COLUMN KIT includes items 86 - 88

98 INTERMEDIATE SHAFT includes items 99, 100

117 TIE ROD ASSEMBLY includes items 118 - 122



# FRONT SUSPENSION & STEERING

When ordering parts, please specify the model and serial number of the product.

\* Indicates a component that is not available as an individual part.

\*\*\* Indicates consult Customer Service Department for additional information.

ITEM	PART NO.	1 2 3 4 5	DESCRIPTION	QTY.
1	652823		FRONT AXLE.....	1
2				
3	70930G01		SPINDLE AND HUB ASSEMBLY, 4 LUG (PASSENGER SIDE) (INCLUDES ITEMS 4 - 13) .....	1
4	70802G01		SPINDLE ASSEMBLY (PASSENGER SIDE) .....	1
5	70648G01		FLANGED BEARING .....	1
6	70749G01		BEARING .....	1
7	25146G1		GREASE SEAL.....	1
8	11750G2		ROLLER BEARING AND RACE ASSEMBLY.....	2
9	74332G01		WHEEL HUB .....	1
10	34117G02		HEX HEAD BOLT, 1/2" - 20 X 2" LG.....	4
11	12093G1		SLOTTED NUT, 1" - 14.....	1
12	00798G8		COTTER PIN, 5/32" X 1 3/4" LG .....	1
13	51141G1		RACE BEARING .....	2
14				
15				
16	70931G01		SPINDLE AND HUB ASSEMBLY, 4 LUG (DRIVER SIDE) (INCLUDES ITEMS 5 - 13, 17) .....	1
17	70803G01		SPINDLE ASSEMBLY (DRIVER SIDE) .....	1
18	00407G6		HEX HEAD BOLT, 1/2" - 13 X 6" LG .....	2
19	00560G3		FLAT WASHER, 1/2".....	4
20	70745G01		KING PIN TUBE.....	2
21	70754G01		THRUST WASHER (SS), 1.3" .....	2
22	14390G6		LOCK NUT, 1/2" - 13.....	2
23				
24				
25	76419G01		SHOCK ABSORBER.....	2
26				
27				
28	10435G1		SHOCK ABSORBER WASHER.....	8
29	10194G1		RUBBER SHOCK ABSORBER BUSHING .....	8
30	00532G6		HEX NUT, 1/4" - 20 .....	4

# FRONT SUSPENSION & STEERING

When ordering parts, please specify the model and serial number of the product.

\* Indicates a component that is not available as an individual part.

\*\*\* Indicates consult Customer Service Department for additional information.

ITEM	PART NO.	1 2 3 4 5	DESCRIPTION	QTY.
31	10044G01		VINYL CAP .....	4
32				
33				
34	70990G03		CANTALEVER LEAF SPRING .....	2
35	652258		SPRING PLATE.....	4
36				
37	00734G1		LOCK NUT, 7/16" - 14 .....	11
38	00463G11		HEX HEAD BOLT, 7/16" - 14 X 1 1/2" LG.....	11
39				
40				
41	70964G01		STEERING BOX ASSEMBLY (COMPLETE) (INCLUDES ITEMS 42 - 65).....	1
42	70965G01		STEERING RACK COVER AND 6BEARING .....	1
43				
44	*		JAM NUT, 1/2" - 20 .....	1
45	70750G01		RETAINING RING (EXTERNAL) .....	1
46	15112G1		BALL BEARING .....	1
47	70603G01		PINION.....	1
48	70751G01		RETAINING RING (INTERNAL).....	1
49	70638G01		SEAL PINION.....	1
50	70604G01		RACK STEERING.....	1
51	*		SOCKET HEAD SCREW, #10 - 32 X .25" LG.....	1
52	70590G01		RACK LOADER .....	1
53	70666G01		SPRING COMPRESSION .....	1
54	70645G01		(GASKET) RACK LOADER .....	1
55	652259		(COVER) RACK LOADER .....	1
56	71102G01		HEX WASHER HEAD BOLT, 1/4" - 20 X .90" LG .....	2
57	10389G3		GREASE FITTING, STRAIGHT .....	1
58	70695G01		TIE ROD END - OUTER (INCLUDES ITEMS 59, 60).....	1
59	50641G1		GROMMET - TIE ROD END.....	1
60	50209G2		SLOTTED NUT, 7/16"- 20.....	1
61				

# FRONT SUSPENSION & STEERING

When ordering parts, please specify the model and serial number of the product.

\* Indicates a component that is not available as an individual part.

\*\*\* Indicates consult Customer Service Department for additional information.

ITEM	PART NO.	1 2 3 4 5	DESCRIPTION	QTY.
62	74694G01		ROD END (INNER) .....	1
63	70961G01		RACK BOOT .....	1
64	12416G2		NYLON CLAMP .....	1
65	11391G8		WIRE TIE .....	1
66	10387G2		COTTER PIN, 3/32" X 1" LG .....	1
67				
68				
69				
70				
71				
72				
73				
74	00464G8		HEX HEAD BOLT, 7/16" - 14 X 2 3/4" LG .....	2
75	01068G01		HEX HEAD BOLT, 7/16" - 14 X 3.5" LG .....	1
76	70667G02		SPACER, O.D, 1" X I.D .46" X 1.2" LG .....	2
77	70667G04		SPACER, O.D 1" X I.D .46" X .69" LG .....	1
78				
79	00560G2		FLAT WASHER, 7/16" .....	7
80	00734G1		LOCK NUT, 7/16" - 14 .....	3
81	00532G7		HEX NUT, 1/4" - 20 .....	1
82				
83	70607G01		STEERING SHAFT .....	1
84				
85	70758G05		STEERING COLUMN KIT (INCLUDES ITEMS 86 - 88) .....	1
86	70610G03		STEERING COLUMN .....	1
87	28569G01		STEERING COLUMN BUSHING .....	1
88	01022G01		HEX WASHER HEAD BOLT, #6 - 20 X 5/16" LG .....	1
89	00734G1		LOCK NUT, 7/16" - 14 .....	4
90				
91				
92	635202		WINCH RECEIVER WELDMENT .....	1

# FRONT SUSPENSION & STEERING

When ordering parts, please specify the model and serial number of the product.

\* Indicates a component that is not available as an individual part.

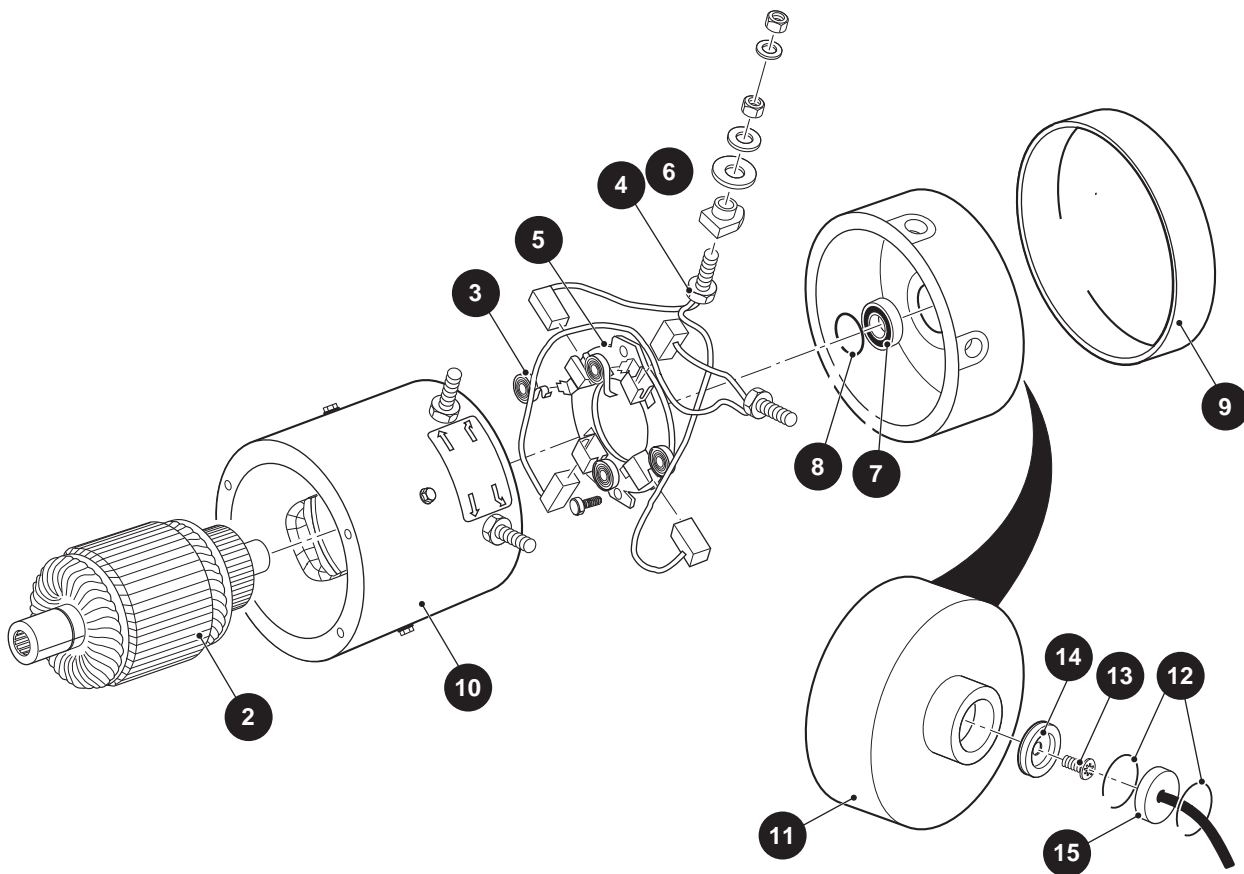
\*\*\* Indicates consult Customer Service Department for additional information.

ITEM	PART NO.	1 2 3 4 5	DESCRIPTION	QTY.
93	604572		WINCH RECEIVER RETAINER PLATE .....	1
94	00462G8		HEX HEAD BOLT, 7/16" - 14 .....	4
95	01006G01		HEX WASHER HEAD BOLT, 3/8" - 16 X 1 1/4" LG .....	4
96	00879G1		LOCK WASHER, 3/8" .....	4
97				
98	70580G01		INTERMEDIATE SHAFT (INCLUDES ITEMS 99, 100).....	1
99	01055G01		METRIC BOLT, M8 X 1 1/4" LG .....	2
100	00565G8		LOCK WASHER, 5/16" .....	2
101	602979		STEERING WHEEL, PREMIUM .....	1
102	70751G01		RETAINING RING (INTERNAL) .....	1
103	70888G01		RETAINING RING (EXTERNAL).....	1
104	15112G1		BALL BEARING.....	1
105	70887G01		WAVE WASHER.....	1
106	602980		STEERING WHEEL.....	1
107	71147G01		STEERING WHEEL COVER.....	1
108	605435		LABEL (E-Z-GO).....	1
109	607925		CLIPBOARD .....	1
110	608529		STEERING WHEEL LABEL .....	1
111				
112				
113	14390G2		LOCK NUT, 5/8" - 18 .....	1
114				
115				
116				
117	70876G02		TIE ROD ASSEMBLY (INCLUDES ITEMS 118 - 122).....	1
118	70897G02		THREADED ROD (24" LG).....	1
119	70902G01		TIE ROD END (LEFT HAND THREADS) .....	1
120	01069G01		JAM NUT, M12 X 1.25 - 05 (LEFT HAND THREADS).....	1
121	70902G02		TIE ROD END (RIGHT HAND THREADS).....	1
122	01069G02		JAM NUT, M12 X 1.25 - 05 (RIGHT HAND THREADS) .....	1
123	00734G1		LOCK NUT, 7/16" - 14 .....	2



# MOTOR

1 MOTOR includes items 2 - 12





When ordering parts, please specify the model and serial number of the product.

\* Indicates a component that is not available as an individual part.

\*\*\* Indicates consult Customer Service Department for additional information.

ITEM	PART NO.	1 2 3 4 5	DESCRIPTION	QTY.
1	73291G04		MOTOR (SEPARATELY EXCITED) (INCLUDES ITEMS 2-12) .....	1
2	73120G36		ARMATURE ASSEMBLY .....	1
3	73120G38		BRUSH SPRING .....	8
4	73120G39		BRUSH .....	8
5	73120G40		BRUSH BOX ASSEMBLY .....	1
6	73120G41		BRUSH LEAD ASSEMBLY KIT (INCLUDES HARDWARE) .....	1
7	73120G07		BEARING .....	1
8	73120G06		SNAP RING .....	1
9	73120G43		HEADBAND.....	1
10	73120G37		FRAME AND FIELD COIL ASSEMBLY (INCLUDES HARDWARE) .....	1
11	73120G42		COMMUTATOR END COVER.....	1
12	73277G01		RETAINING RING .....	1
13	01037G02		SCREW, #10 - 32 X 1/2" LG .....	1
14	73328G01		MAGNET.....	2
15	73327G04		SPEED SENSOR.....	1

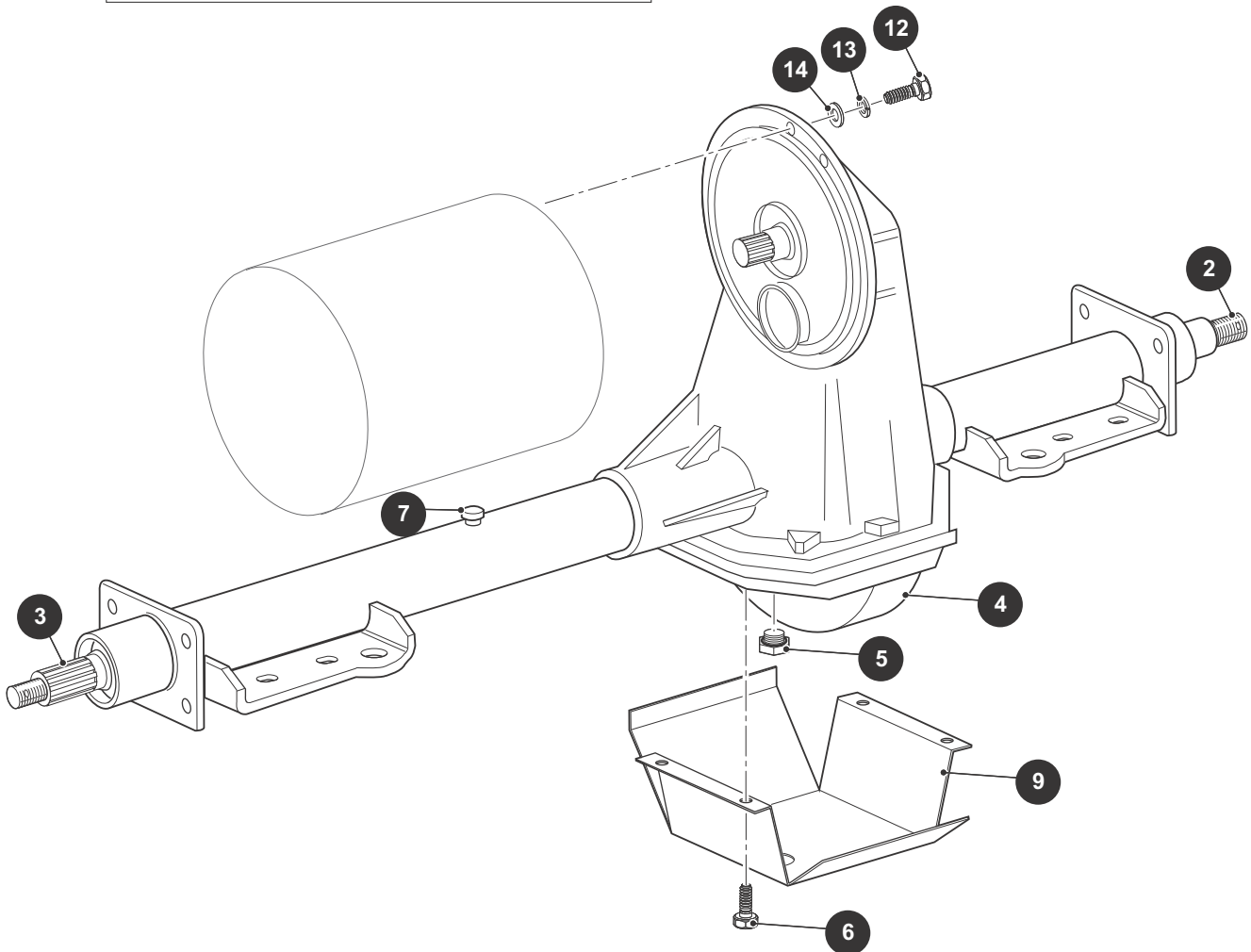




# REAR AXLE

**1** REAR AXLE ASSEMBLY includes items 2 - 7

NOTE: Apply a light coat of moly grease to male spline before assembly. Reference part number 15.



# REAR AXLE

When ordering parts, please specify the model and serial number of the product.

\* Indicates a component that is not available as an individual part.

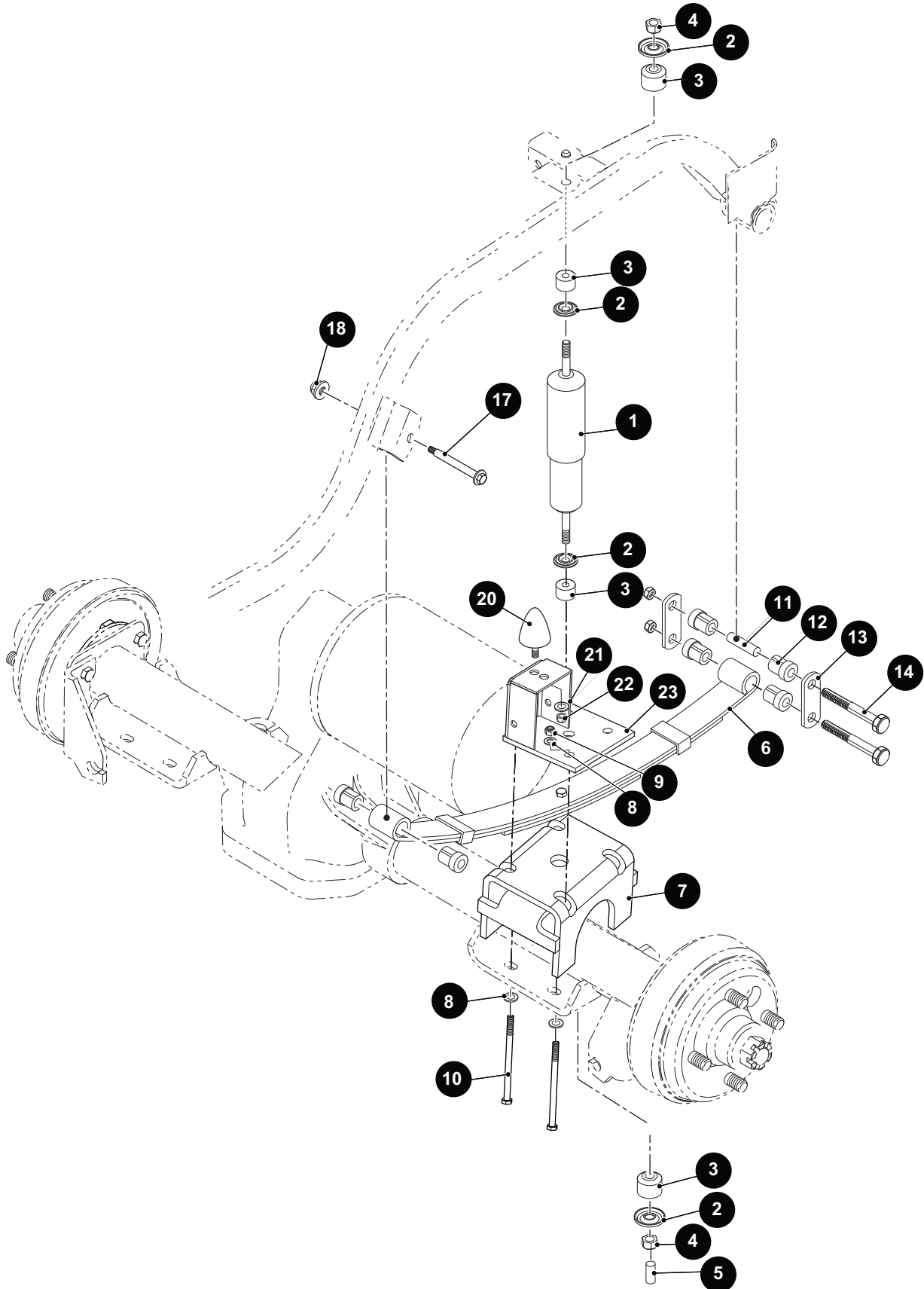
\*\*\* Indicates consult Customer Service Department for additional information.

ITEM	PART NO.	1 2 3 4 5	DESCRIPTION	QTY.
1	74612G01		REAR AXLE ASSEMBLY 14.76:1 (INCLUDES ITEMS 2 - 7) .....	1
2	617609		AXLE SHAFT (PASSENGER SIDE).....	1
3	617608		AXLE SHAFT (DRIVER SIDE) .....	1
4	612823		DIFFERENTIAL COVER .....	1
5	601081		DRAIN PLUG WITH 'O' RING .....	1
6	15558G1		BOLT, 5/16 - 18 X 3/4" LG .....	10
7	73050G01		VENT VALVE .....	1
8				
9	72763-G02		SCUFF GUARD .....	1
10				
11				
12	00797G2		BOLT, 1/4 - 20 X 1 1/4" LG.....	3
13	00664G7		LOCK WASHER, 1/4" (STAINLESS STEEL) .....	3
14	01110G01		WASHER, 1/4" (STAINLESS STEEL) .....	3
15	12719G1		ANTI-SIEZE .....	AR





# REAR SUSPENSION





# REAR SUSPENSION

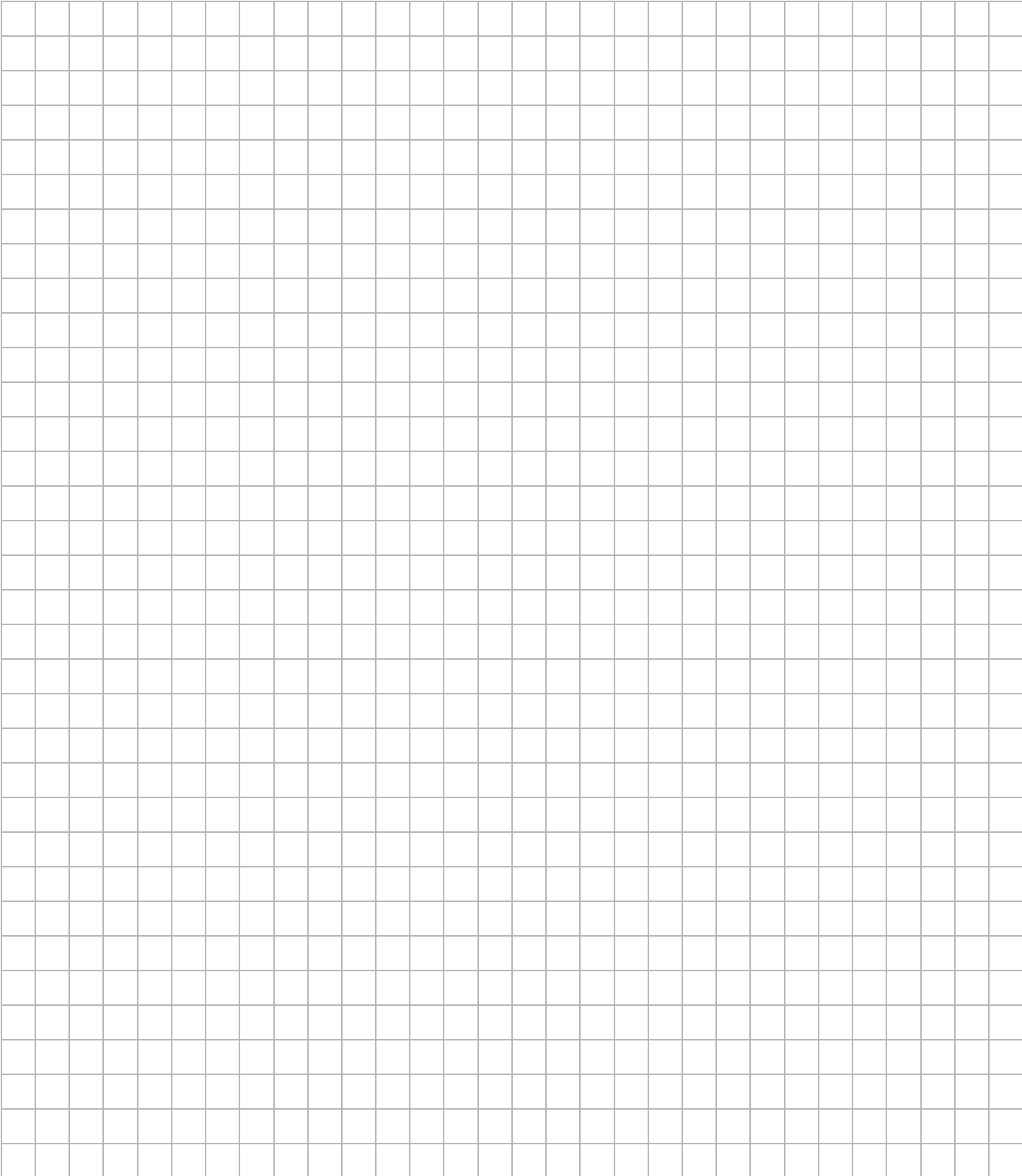
When ordering parts, please specify the model and serial number of the product.

\* Indicates a component that is not available as an individual part.

\*\*\* Indicates consult Customer Service Department for additional information.

ITEM	PART NO.	1 2 3 4 5	DESCRIPTION	QTY.
1	76418G01		SHOCK ABSORBER .....	2
2	10435G1		SHOCK ABSORBER WASHER.....	8
3	10194G1		SHOCK ABSORBER RUBBER BUSHING.....	8
4	00532G6		HEX NUT, 3/8" - 24 .....	4
5	10044G01		VINYL CAP .....	2
6	74207G03		LEAF SPRING .....	2
7	620740		LIFT BRACKET .....	2
8	00560G1		FLAT WASHER, 3/8".....	16
9	11098G5		LOCK NUT, 3/8" - 16.....	12
10	00430G12		BOLT HEX HEAD, 3/8" - 16 .....	8
11	70289G02		SPLIT STEEL SPACER .....	4
12	624030		FLANGED BUSHING .....	12
13	70290G02		SHACKLE PLATE .....	4
14	00665G9		HEX HEAD BOLT, 3/8" - 16 X 3 1/2" LG (STAINLESS STEEL).....	4
15				
16				
17	14158G1		SHOULDER BOLT, 3/8" - 16 X 3 1/4" LG.....	2
18	12262G1		LOCK NUT, 3/8" - 16.....	2
19				
20	70492G01		RUBER BUMPER .....	2
21	608654		SPLIT LOCK WASHER, 10MM.....	2
22	00974G01		HEX NUT, M10 X 1.5 .....	2
23	72360G02		MOUNTING PLATE, SHOCK DRIVER SIDE.....	1
24	72360G01		MOUNTING PLATE, SHOCK PASSENGER SIDE (NOT ILLUSTRATED).....	1

## Notes:



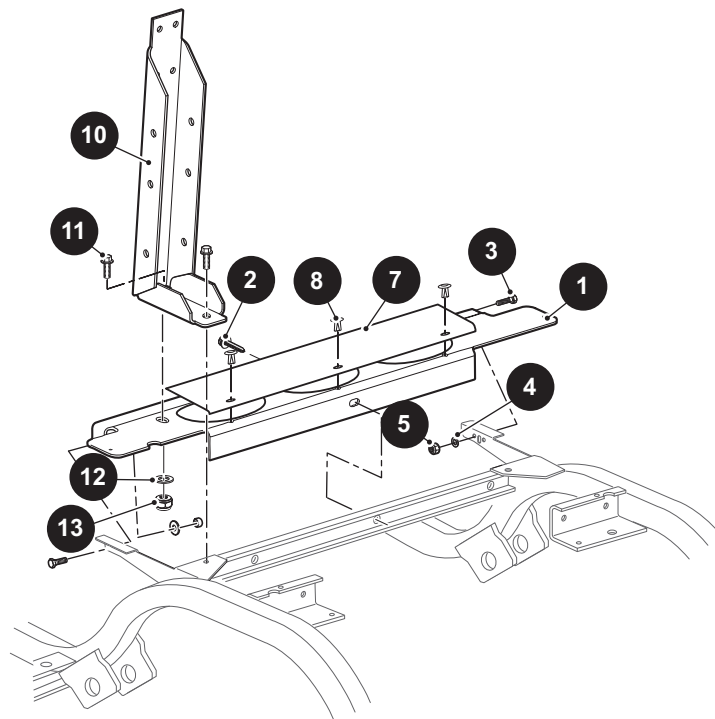
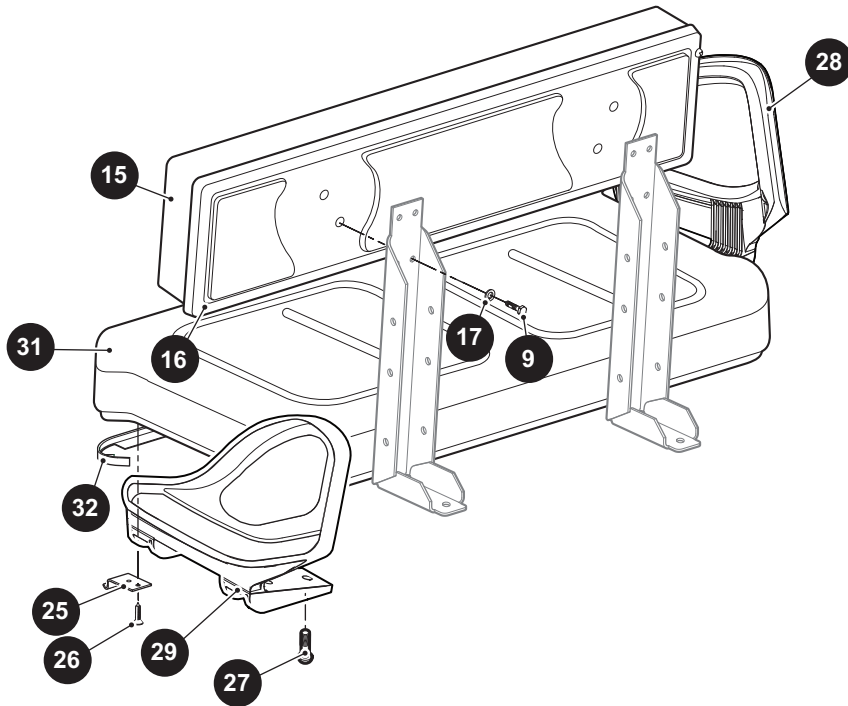
A large grid of graph paper, consisting of 25 columns and 35 rows of small squares, intended for taking notes.



# SEATING

14 SEAT BACK ASSEMBLY includes items 15 - 16

18 SEAT BOTTOM ASSEMBLY includes items 19 - 32



When ordering parts, please specify the model and serial number of the product.

\* Indicates a component that is not available as an individual part.

\*\*\* Indicates consult Customer Service Department for additional information.

ITEM	PART NO.	1 2 3 4 5	DESCRIPTION	QTY.
1	74971G01		SEAT BACK SUPPORT .....	1
2	00715G2		BOLT, 5/16 - 18 X 13/16" LG .....	1
3	00438G8		BOLT, 5/16 - 18 X 3/4" LG.....	2
4	00642G8		WASHER, 5/16" .....	2
5	11098G6		LOCK NUT, 5/16 - 18 .....	2
6				
7	71263G01		ACCESS COVER.....	1
8	18436G1		DRIVE RIVET.....	3
9	605056		SCREW HEX HEAD, 1/4 - 20 X 1" W/PATCHLOC .....	4
10	624486		SEAT BACK SUPPORT BRACKET .....	2
11	01006G01		BOLT, 3/8 - 16 X 1 1/4" LG.....	4
12	00643G1		FLAT WASHER, 3/8" .....	2
13	11098G5		LOCK NUT, 3/8 - 16 .....	2
14	71274G**		SEAT BACK ASSEMBLY (INCLUDES ITEMS 15 - 16) ..... 71274G01 WHITE 71274G02 BLACK 71274G03 TAN 71274G04 GRAY 71274G05 OYSTER 71274G07 BROWN	
15	18144G*		BACK REST COVER .....	1
			18144G2 WHITE 18144G3 BLACK 18144G4 TAN 18144G5 GRAY 18144G6 OYSTER 18144G8 BROWN	
16	74889G01		SEAT BACK COVER .....	1
17	00664G7		LOCK WASHER, 1/4" (STAINLESS STEEL) .....	4
18	629269G**		SEAT BOTTOM ASSEMBLY (INCLUDES ITEMS 19 - 32) ..... 629269G0105 WHITE 629269G0104 GRAY 629269G0101 OYSTER 629269G0103 TAN 629269G0107 BROWN 629269G0106 BLACK	1
19	71602G**		VINYL SEAT BOTTOM .....	1
			71602G01 WHITE 71602G02 GRAY	

# SEATING

When ordering parts, please specify the model and serial number of the product.

\* Indicates a component that is not available as an individual part.

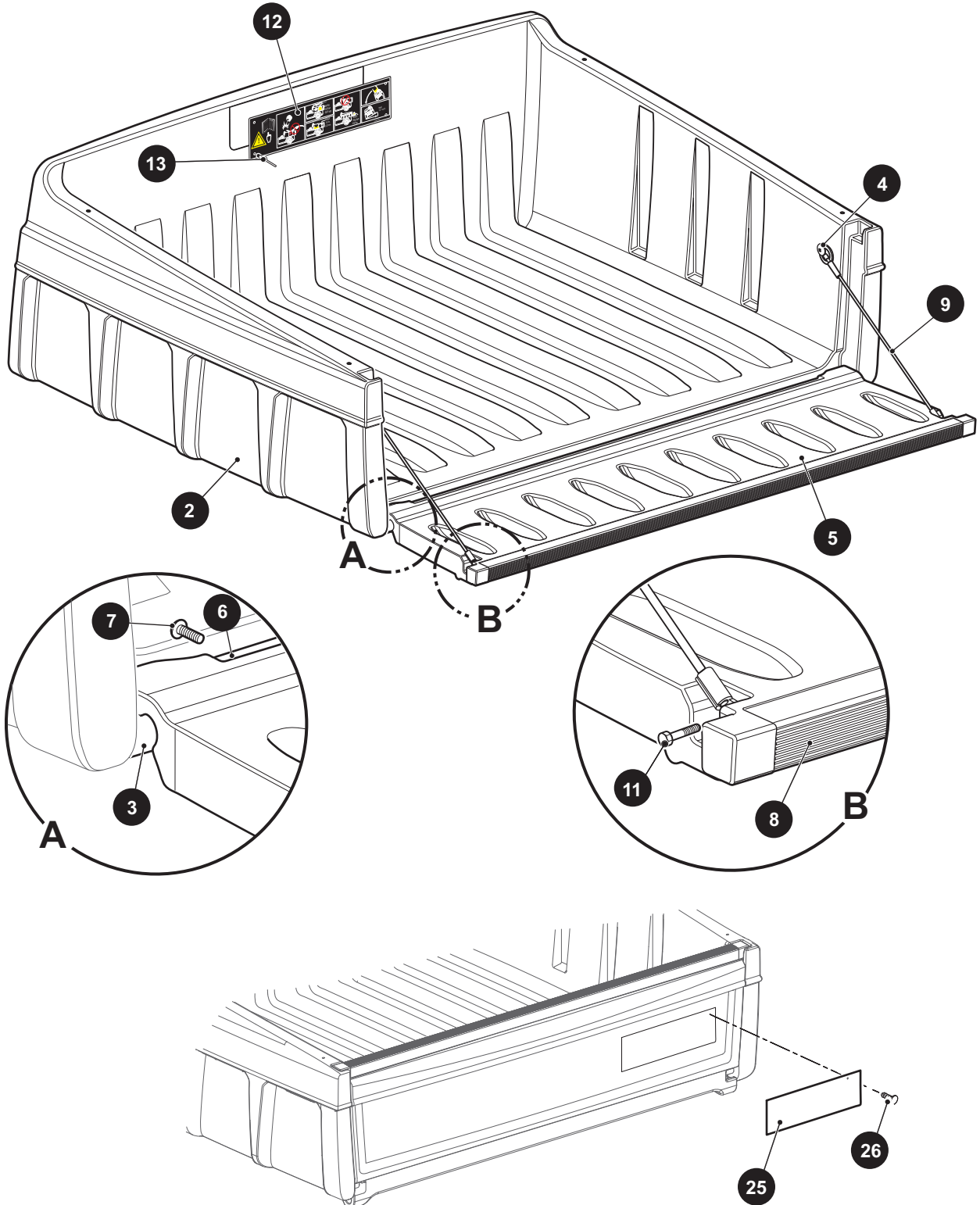
\*\*\* Indicates consult Customer Service Department for additional information.

ITEM	PART NO.	1	2	3	4	5	DESCRIPTION	QTY.
20							71602G03 OYSTER	
21							71602G04 TAN	
22							71602G07 BROWN	
23							71602G06 BLACK	
24								
25	71610G01						SEAT HINGE.....	2
26	00720G08						SCREW, #12 - 14 X 1" LG.....	6
27	615417						BUTTON HEAD TORX BOLT, M10 - 1.5 X 25MM LG .....	8
28	617644						HIP RESTRAINT (PASSENGER SIDE) .....	1
29	617645						HIP RESTRAINT (DRIVER SIDE) .....	1
30								
31								
32	71012G01						VINYL TRIM (SEAT BOTTOM) .....	1

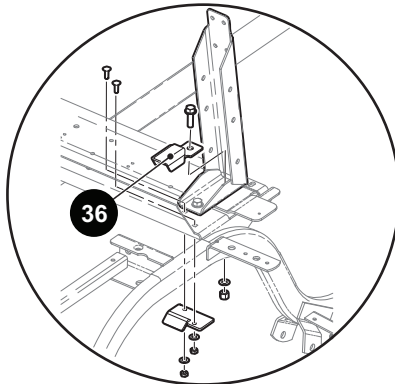
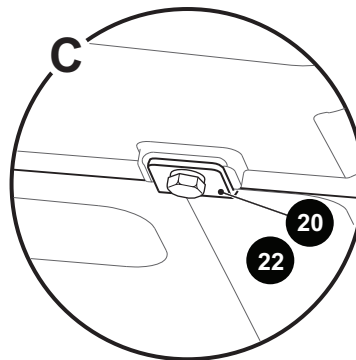
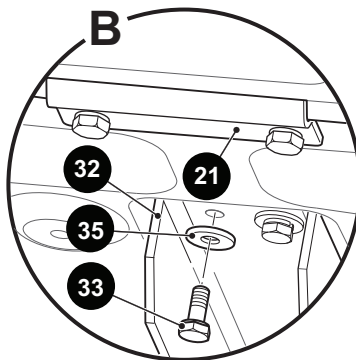
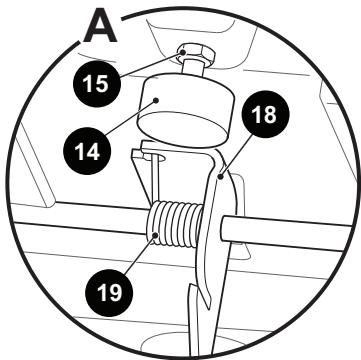
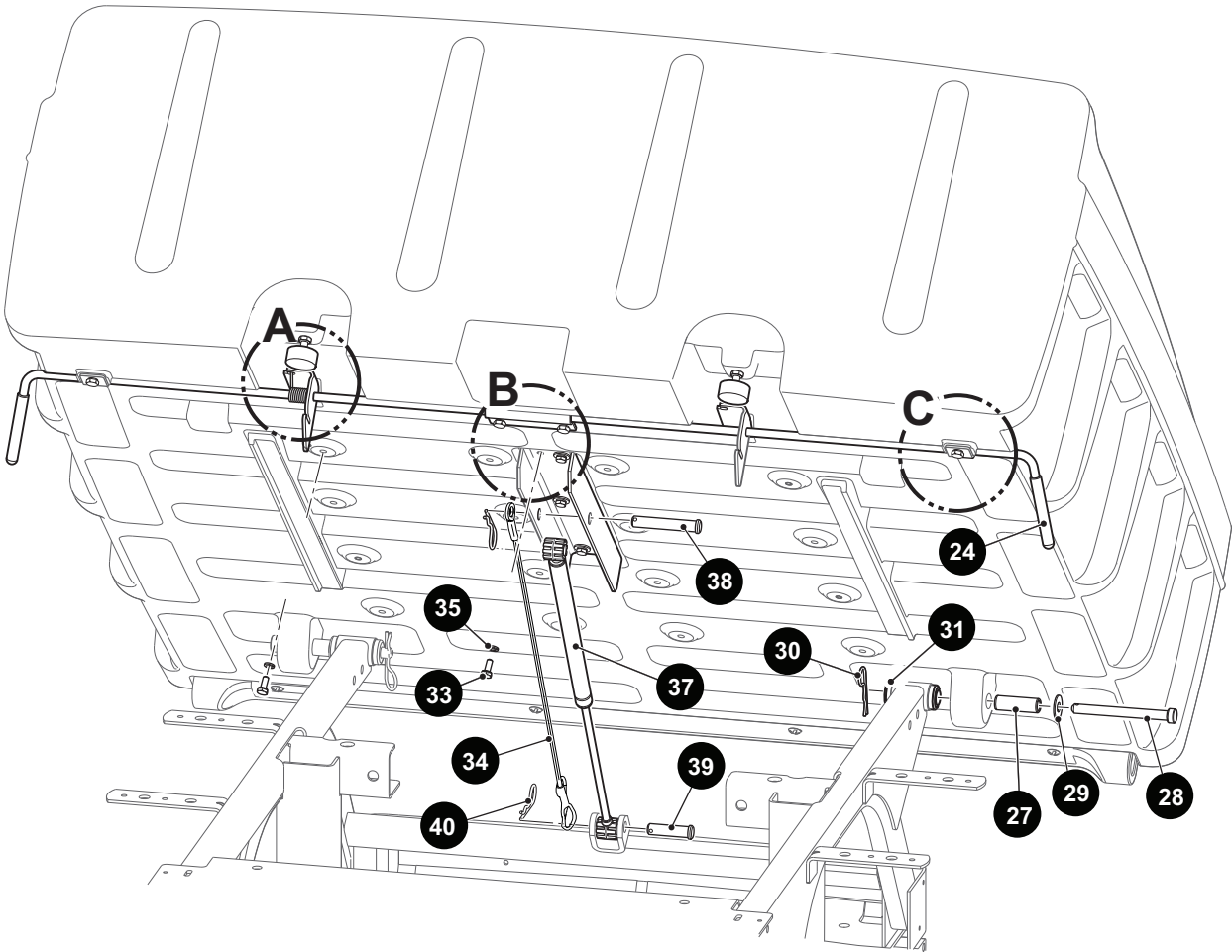


# TRUCK BED - PLASTIC

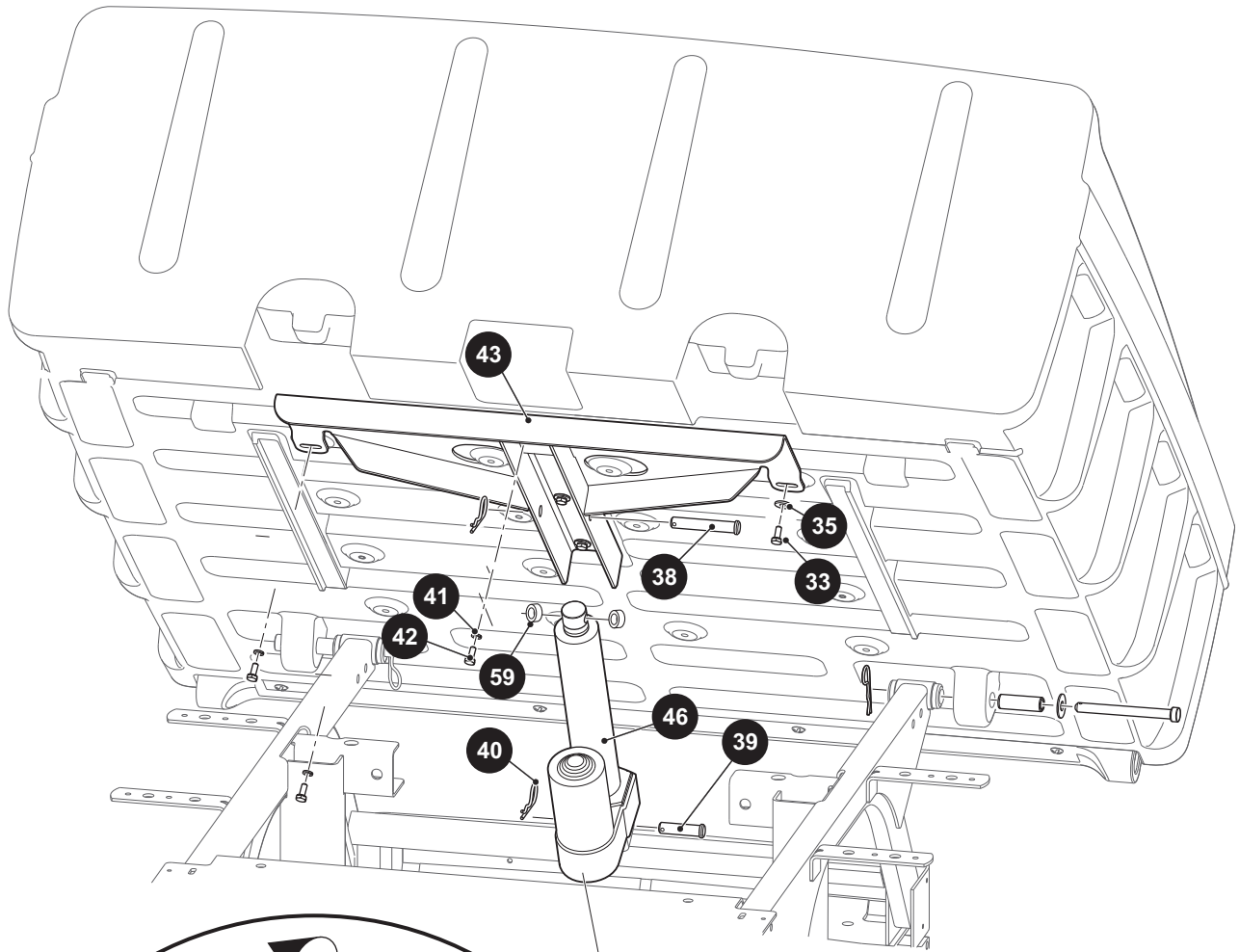
1 40" PLASTIC BED ASSEMBLY includes items 2 - 11



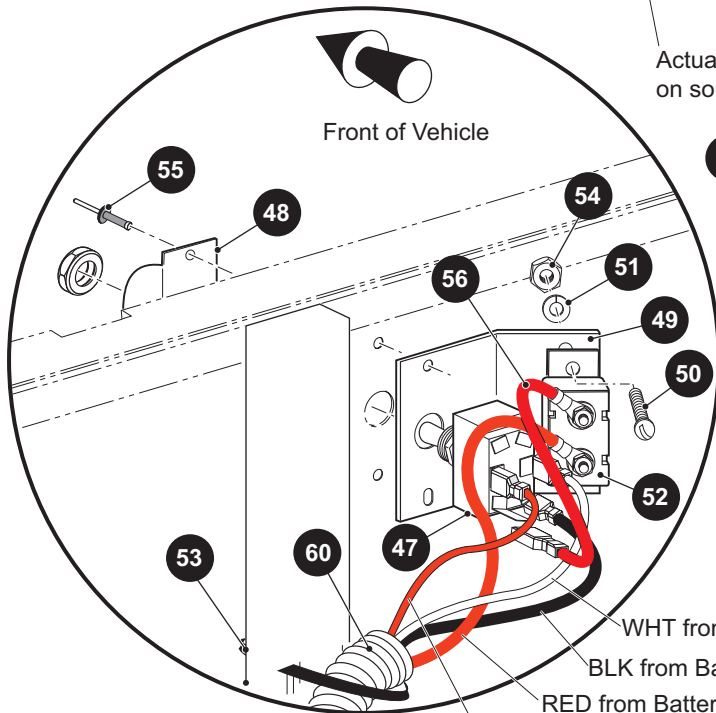




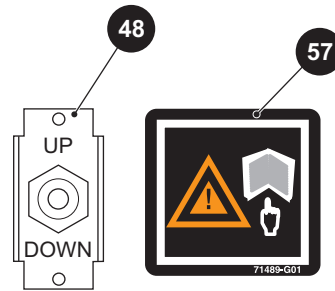
# TRUCK BED - PLASTIC



Actuator may be rotated 90° on some models



45 ELECTRIC DUMP KIT includes items 46 - 60



# TRUCK BED - PLASTIC

When ordering parts, please specify the model and serial number of the product.

\* Indicates a component that is not available as an individual part.

\*\*\* Indicates consult Customer Service Department for additional information.

ITEM	PART NO.	1 2 3 4 5	DESCRIPTION	QTY.
1	73451G01		BED ASSEMBLY, 40" (INCLUDES ITEMS 2 -11) .....	1
2	*		PLASTIC BED, 40" .....	1
3	73454G01		PIVOT SHAFT .....	2
4	73460G01		SHOULDER BOLT, 1/4" - 20 X 3/4" LG .....	2
5	73455G01		TAILGATE CABLE .....	1
6	73450G01		BOWED ANGLE .....	1
7	16705G2		SCREW, 1/4" - 20 X 5/8" LG (STAINLESS STEEL) .....	4
8	73449G01		TAILGATE CAP .....	1
9	16816G5		RATCHET FASTENER.187" X .550 .....	4
10				
11	00415G2		SCREW, 1/4" - 20 X 5/8" LG .....	2
12	74821G01		BED CAPACITY LABEL.....	1
13	71055G01		RIVET, 3/16" X 1" LG (ALUMINUM).....	5
14	70113G01		ADJUSTABLE RUBBER BUMPER.....	2
15	11027G1		LOCK NUT, 5/16" - 18.....	2
16				
17				
18	74962G01		BED LATCH .....	1
19	71538G01		LATCH TORSION SPRING .....	1
20	71099G02		LATCH PLATE .....	2
21	71477G02		RETAINER BRACKET .....	1
22	01118G01		SCREW, 1/4" - 20 X 5/8" LG .....	4
23				
24	71704G01		HANDLE GRIP.....	2
25	600110G01		LABEL.....	1
26	16816G2		RATCHET FASTENER .....	4
27	71570G01		BUSHING.....	2
28	71571G01		CLEVIS PIN .....	2
29	00571G5		FLAT WASHER, 1 1/4" X 7/16 .....	2
30	21683G1		HAIR CLIP 2.9 X .78 X .53.....	2
31	624030		FLANGED BUSHING.....	4

# TRUCK BED - PLASTIC

When ordering parts, please specify the model and serial number of the product.

\* Indicates a component that is not available as an individual part.

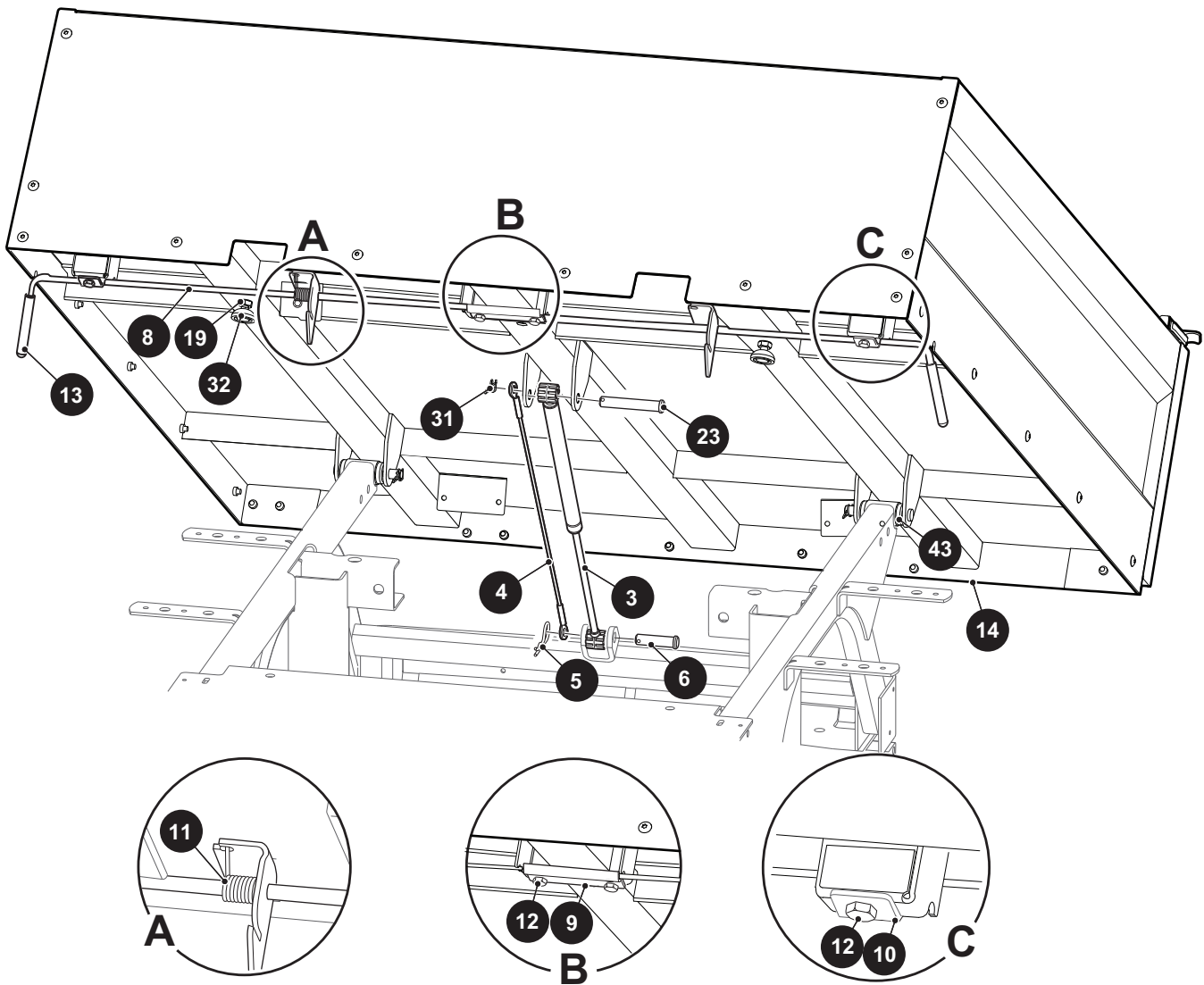
\*\*\* Indicates consult Customer Service Department for additional information.

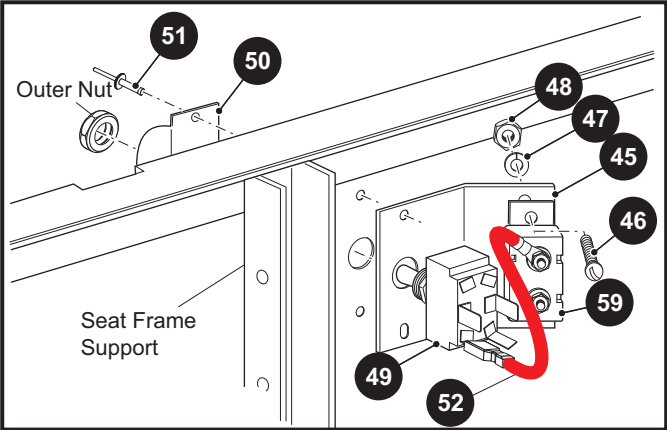
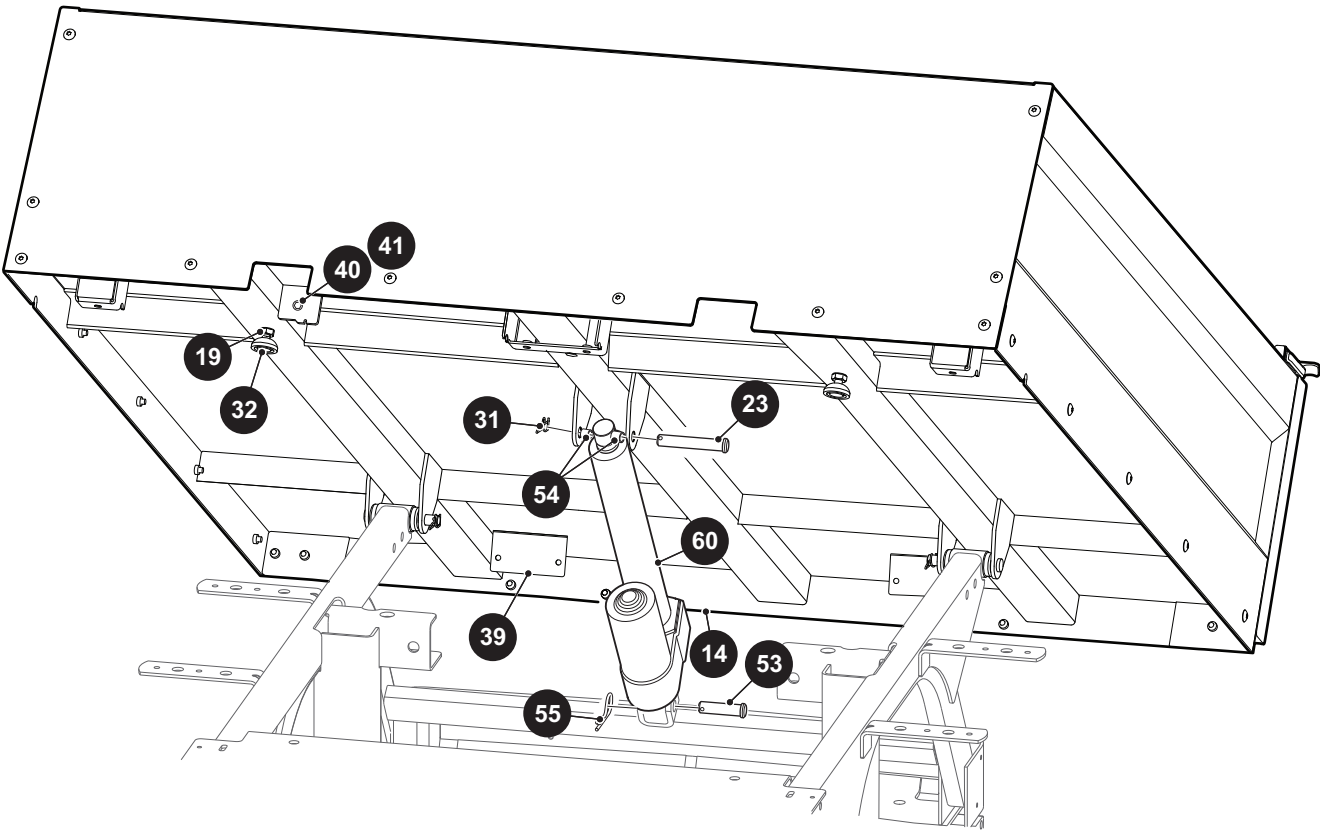
ITEM	PART NO.	1 2 3 4 5	DESCRIPTION	QTY.
32	71569G02		SPRING CHANNEL.....	1
33	01118G01		SCREW, 1/4" - 20 X 5/8" LG .....	8
34	602904		BED TETHER CABLE .....	1
35	00642G7		FLAT WASHER, 1/4" .....	8
36	74947G01		BRACKET, BUMPER.....	2
37	71537G02		GAS SPRING .....	2
38	14443G10		CLEVIS PIN, 1/2" X 2 27/32" LG .....	1
39	14443G12		CLEVIS PIN, 1/2" X 1 3/4" LG .....	1
40	21683G1		HAIR CLIP 2.9 X .78 X .53 .....	2
41	00642G7		FLAT WASHER, 1/4" .....	8
42	01118G01		SCREW, 1/4" - 20 X 5/8" LG .....	8
43	71547G02		OUTRIGGER CHANNEL.....	1
44				
45	74164G01		ELECTRIC DUMP KIT (INCLUDES ITEMS 46 - 60).....	1
46	27612G02		ELECTRIC ACTUATOR, 12 VOLT, 1500 LBS .....	1
47	27680G01		TOGGLE SWITCH.....	1
48	27447G01		TOGGLE GUARD .....	1
49	74165G02		CIRCUIT BREAKER MOUNTING BRACKET.....	1
50	00150G4		SCREW, 10 - 24 X 1/2" LG .....	2
51	00565G5		LOCK WASHER, #10.....	2
52	21320G3		CIRCUIT BREAKER 30A 12V.....	1
53	17618G1		WIRE TIE .....	8
54	00526G3		NUT, #10 - 24.....	2
55	10570G9		RIVET, 5/32" X .55 .....	2
56	25976G14		14 GA WIRE (RED 5") .....	1
57	714891		READ INSTRUCTION DECAL.....	1
58				
59	27613G01		SPACER.....	2
60	74613G01		HARNESS.....	1



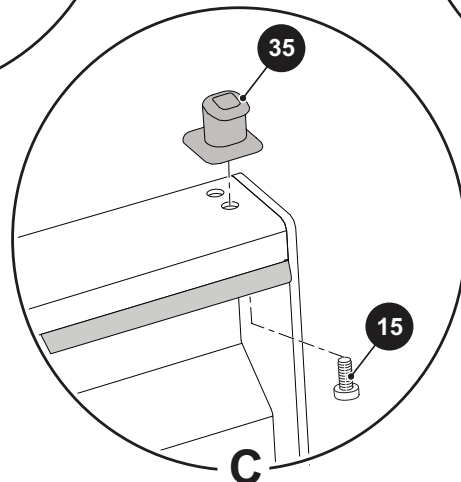
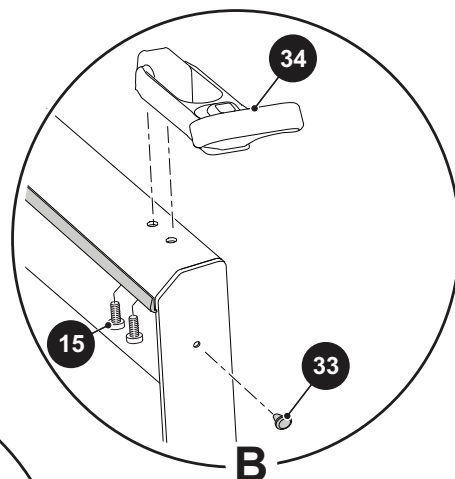
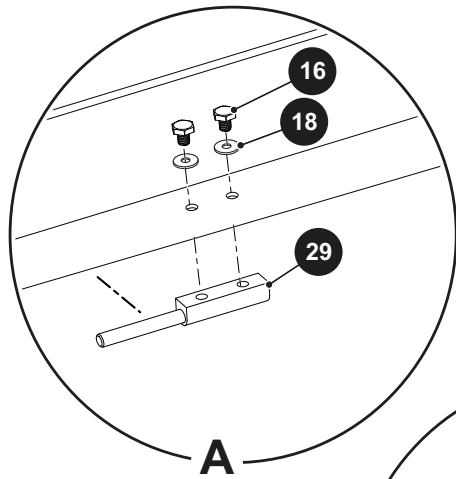
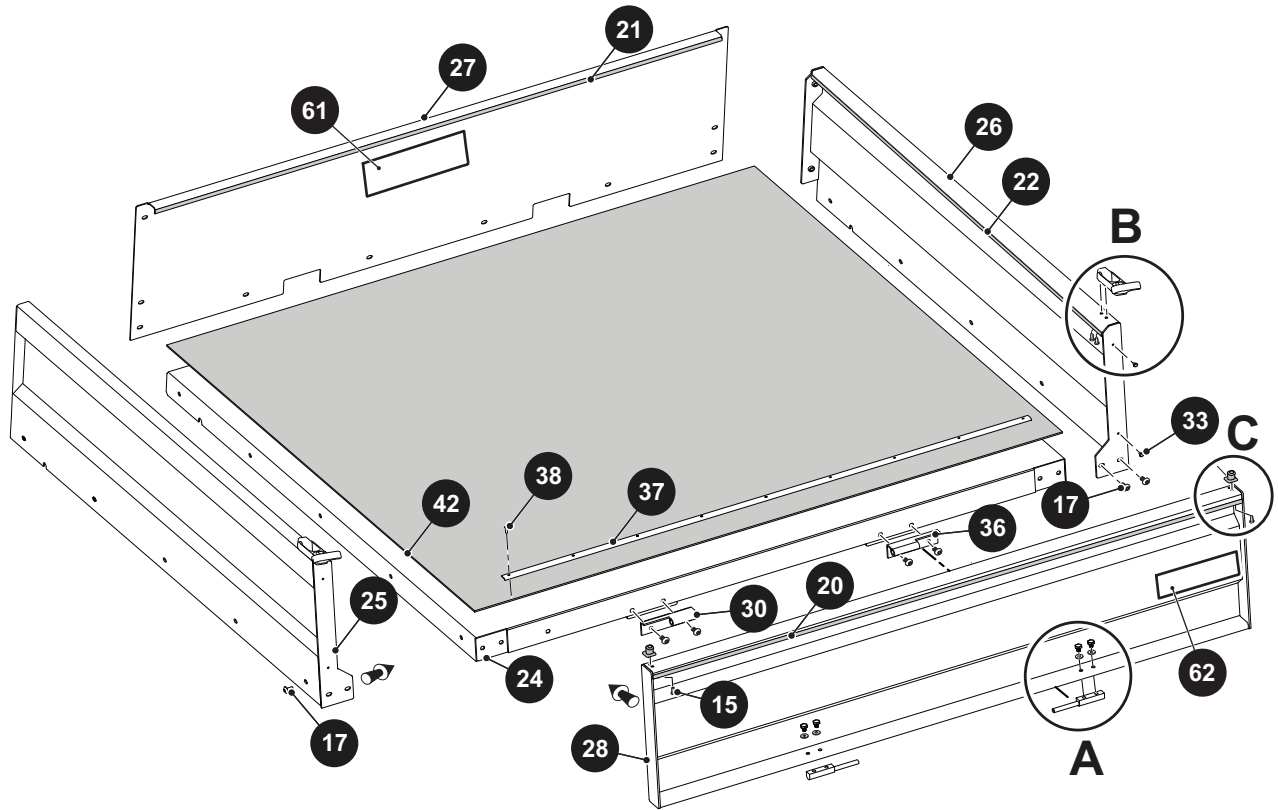
# TRUCK BED - METAL

- 1 ALUMINUM BED, ELECTRIC LIFT includes items 14, 43 - 60
- 2 ALUMINUM BED, MANUAL LIFT includes items 3 - 6, 14, 43
- 14 ALUMINUM BED, LARGE includes items 15 - 42





# TRUCK BED - METAL





# TRUCK BED - METAL

When ordering parts, please specify the model and serial number of the product.

\* Indicates a component that is not available as an individual part.

\*\*\* Indicates consult Customer Service Department for additional information.

ITEM	PART NO.	1 2 3 4 5	DESCRIPTION	QTY.
1	620482		ALUMINUM BED, ELECTRIC LIFT (INCLUDES ITEMS 14, 43 - 60) .....	1
2	620481		ALUMINUM BED, MANUAL LIFT (INCLUDES ITEMS 3 - 6, 14, 43) .....	1
3	71537G02		GAS SPRING .....	1
4	602904		TETHER CABLE ASSEMBLY .....	1
5	21683G1		COTTER PIN.....	1
6	14443G12		CLEVIS PIN, 1/2" x 2.22".....	1
7	620517		LATCH INSTALLATION (INCLUDES ITEMS 8 - 13) .....	1
8	74962G01		BED LATCH .....	1
9	71477G02		LATCH RETAINER BRACKET.....	1
10	71099G02		LATCH KEEPER PLATE .....	2
11	71538G01		LATCH TORSION SPRING .....	1
12	01118G01		HEX CAP SCREW, 1/4-20 X .62" .....	4
13	71704G01		HANDLE GRIP.....	2
14	612612		ALUMINUM BED, LARGE (INCLUDES ITEMS 15 - 42) .....	1
15	612957		PAN HEAD SCREW, 10 - 24 X 1/2" LG .....	6
16	*		HEX HEAD BOLT, 1/4 - 20 X 3/8" LG .....	4
17	612959		TORX SCREW, 1/4 -20 X 1/2" .....	28
18	*		FLAT WASHER, 1/4" .....	4
19	*		HEX NUT, 3/8 -16 .....	2
20	*		EDGE PROTECTOR .....	1
21	*		EDGE PROTECTOR .....	1
22	*		EDGE PROTECTOR .....	2
23	612965		CLEVIS PIN 1/2" .....	3
24	*		BED BOTTOM .....	1
25	*		SIDE PANEL, (DRIVER SIDE).....	1
26	*		SIDE PANEL, (PASSENGER SIDE) .....	1
27	*		FRONT PANEL .....	1
28	612970		TAILGATE .....	1
29	612971		PIVOT PIN .....	2
30	612972		TAILGATE HINGE, (DRIVER SIDE).....	1
31	612973		RUE PIVOT RING .....	3

# TRUCK BED - METAL

When ordering parts, please specify the model and serial number of the product.

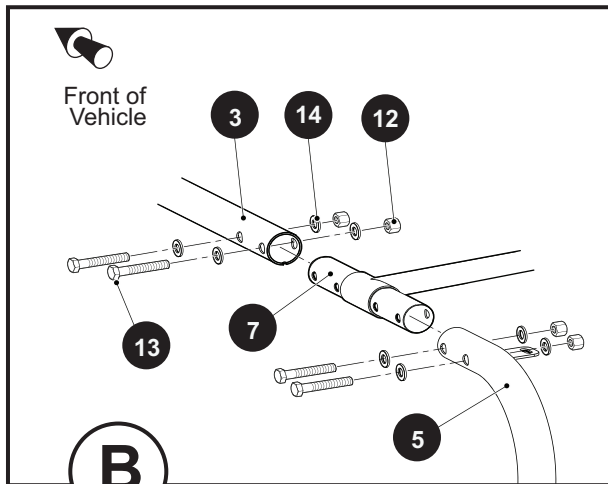
\* Indicates a component that is not available as an individual part.

\*\*\* Indicates consult Customer Service Department for additional information.

ITEM	PART NO.	1	2	3	4	5	DESCRIPTION	QTY.
32	612974						LEVELING PAD .....	2
33	*						BUMPER INSERT,RUBBER .....	4
34	612976						DRAW LATCH ASSY .....	2
35	612977						DRAW LATCH KEEPER.....	2
36	612978						TAILGATE HINGE, (PASSENGER SIDE) .....	1
37	614440						MAT RETAINER .....	1
38	*						ALUMINUM BED RIVET .....	9
39	*						HINGE SUPPORT .....	2
40	*						NUT .....	2
41	*						BOLT .....	1
42	*						RUBBER MAT .....	1
43	624030						FLANGED BUSHING.....	4
44	17618G1						NYLON CLAMP (NOT SHOWN).....	8
45	74165G02						CIRCUIT BREAKER MOUNTING BRACKET .....	1
46	00150G4						SCREW, #10 - 24 X .5" LG .....	2
47	00565G5						LOCK WASHER, #10.....	2
48	00526G3						HEXAGONAL NUT, #10 - 24.....	2
49	27680G01						TOGGLE SWITCH .....	1
50	27447G01						TOGGLE GUARD ASSEMBLY .....	1
51	10570G9						RIVET, 1/8" X 11/32" LG (ALUMINUM) .....	2
52	25976G14						14 GA WIRE (RED 5") .....	1
53	14443G11						CLEVIS PIN, 1/2" X 1 3/4" LG.....	1
54	27613G01						SPACER.....	2
55	21683G1						COTTER PIN, 15/32" X 2 13/16" LG.....	1
56	74054G01						DUMP HARNESS (48V) (NOT SHOWN).....	1
57	11845G3						INSULATED CABLE CLAMP, 11/16" (NOT SHOWN).....	2
58	00532G4						HEX NUT, 5/16 - 18 (NOT SHOWN).....	2
59	21320G4						CIRCUIT BREAKER (15 AMP 24V).....	1
60	27612G04						ELECTRIC ACTUATOR, 48V .....	1
61	35980G02						BED LOADER DECAL .....	1
62	606405						E-Z-GO NAMEPLATE .....	1

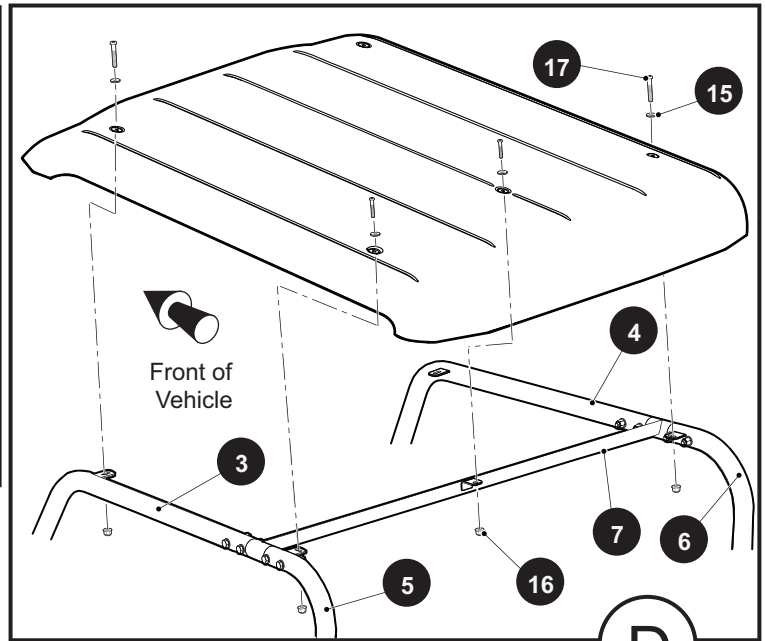


# WEATHER PROTECTION



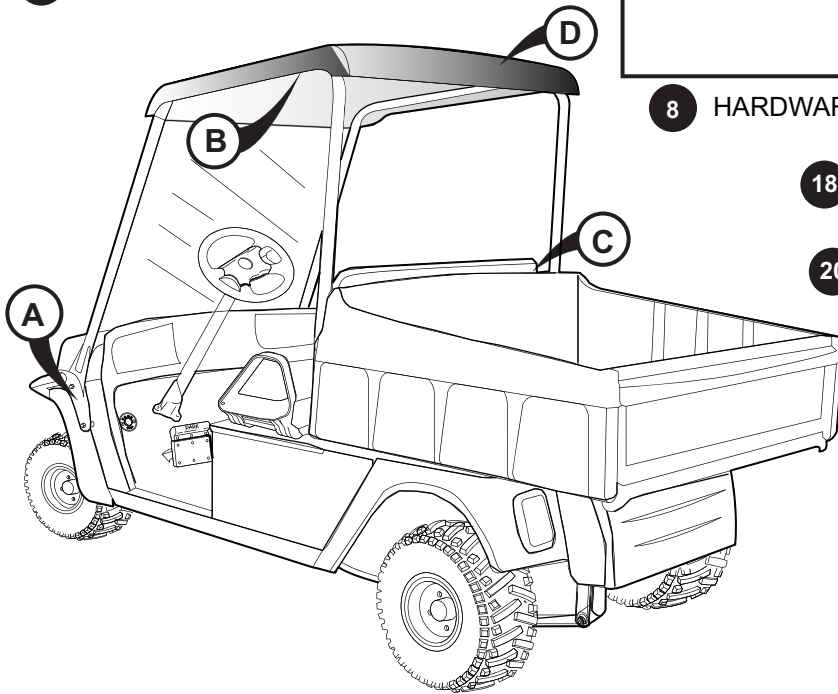
**B**

**2** CANOPY STRUT KIT includes item 3 - 8



**D**

**8** HARDWARE KIT includes item 9 - 17



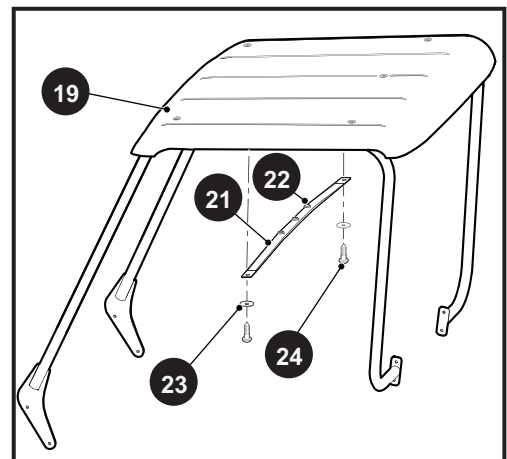
**B**

**D**

**A**

**18** CANOPY ASSEMBLY, REINFORCED (BLACK) includes items 19 - 24

**20** REINFORCEMENT BAR ASSEMBLY includes items 21 - 22



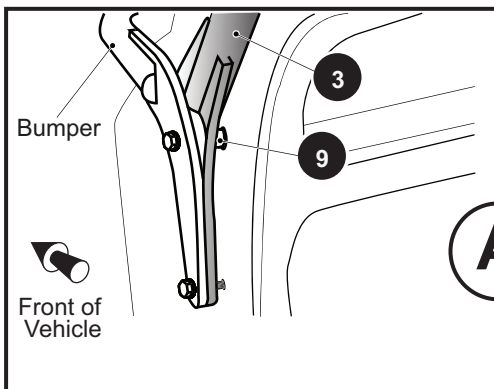
**19**

**21**

**22**

**23**

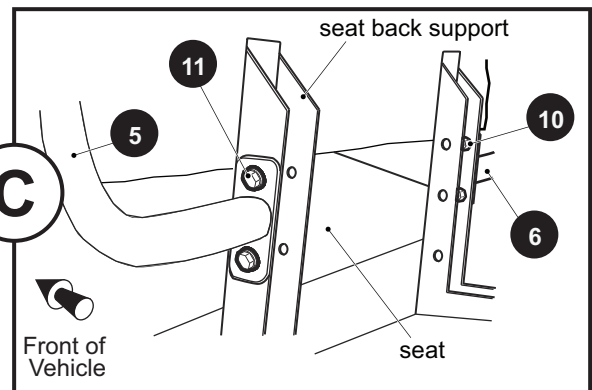
**24**



**A**

Bumper

Front of Vehicle



**C**

seat back support

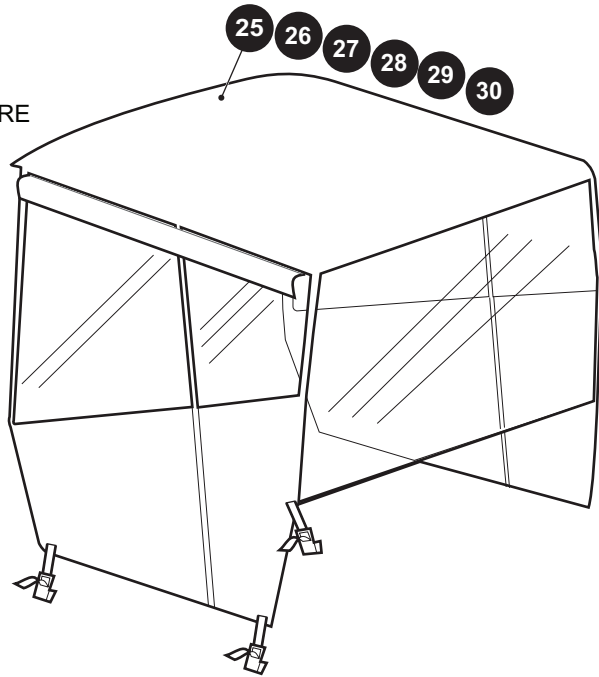
Front of Vehicle

seat

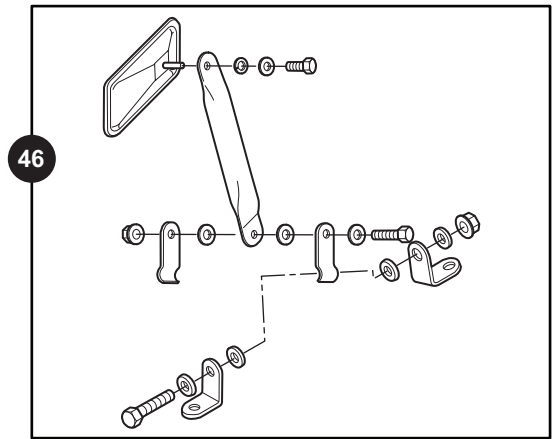
**32** FULL WINDSHIELD KIT includes items 33 - 38

**41** SPLIT WINDSHIELD KIT includes items 34 - 37, 42, 43

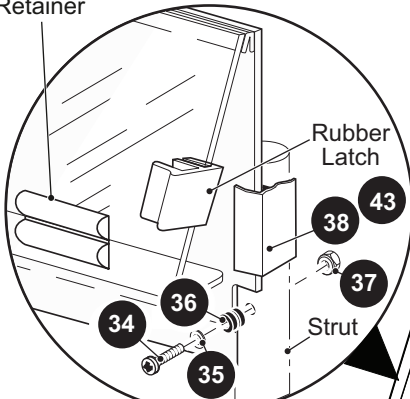
ENCLOSURE



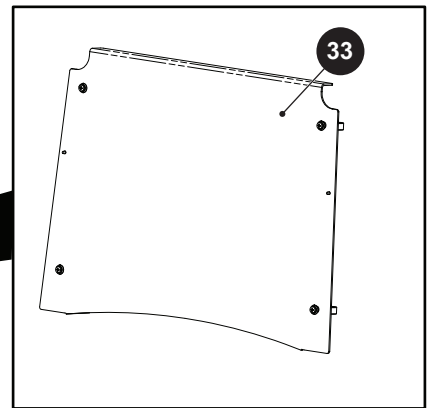
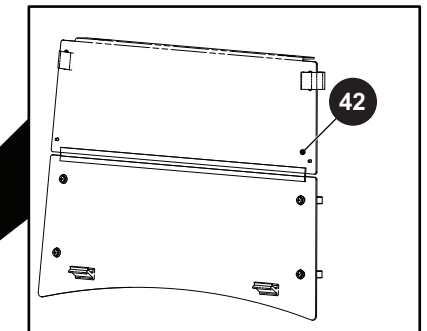
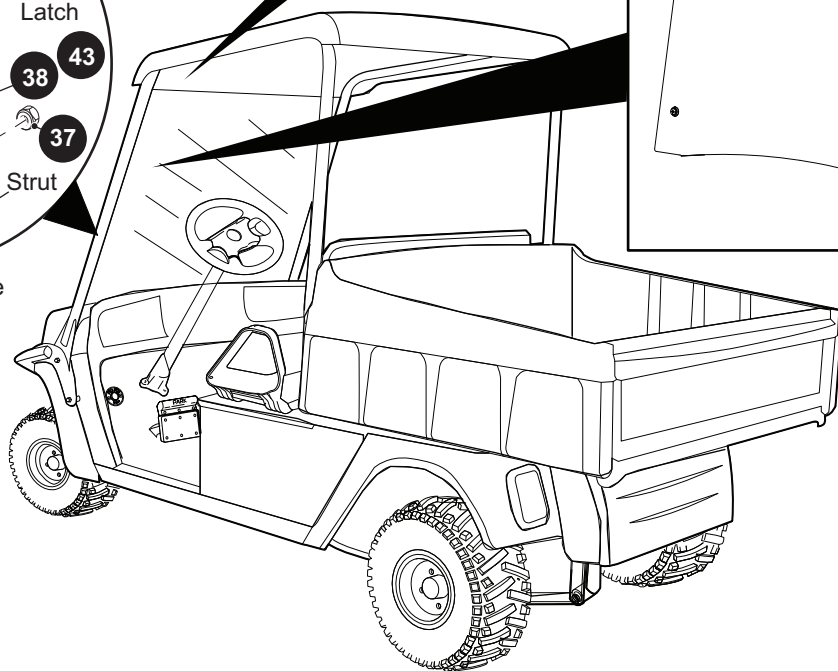
REAR VIEW MIRROR



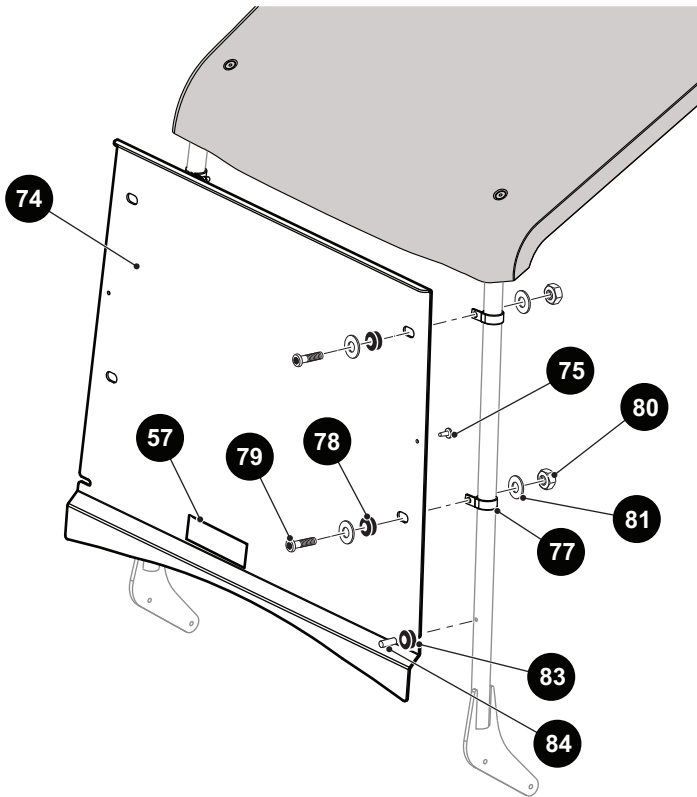
Windshield Retainer



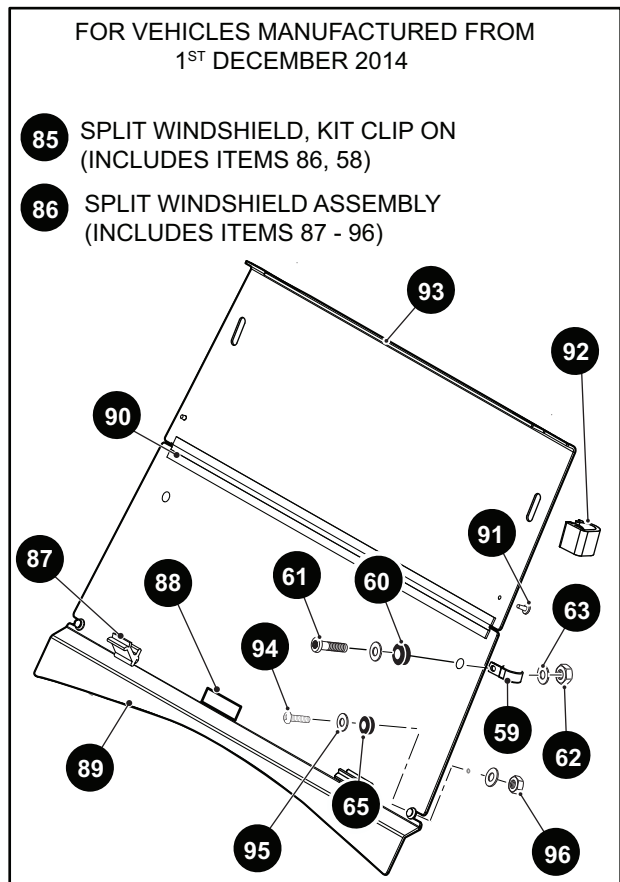
Front of Vehicle



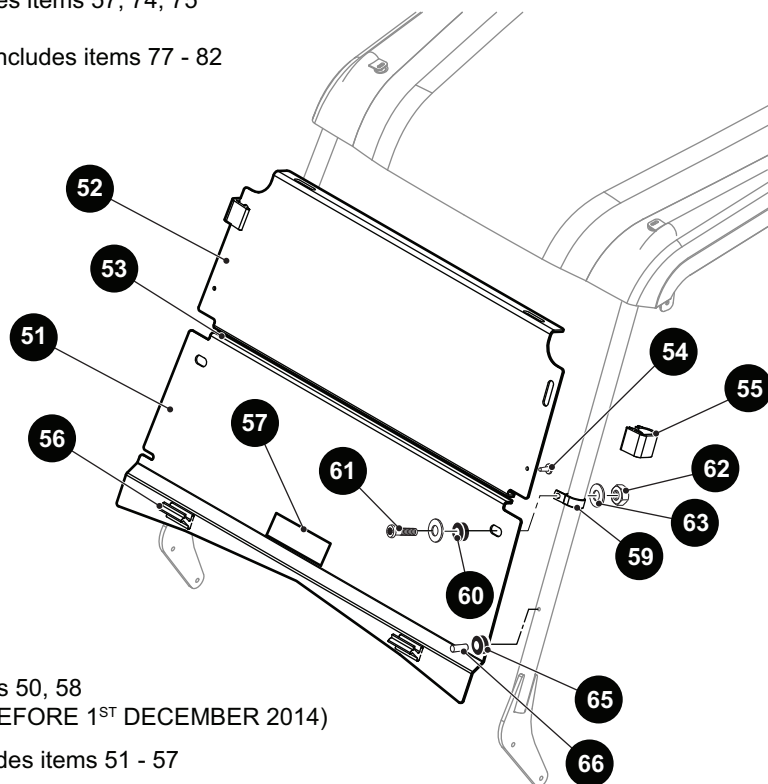
# WEATHER PROTECTION



- 72 FULL WINDSHIELD KIT includes items 73, 76
- 73 FULL WINDSHIELD ASSEMBLY includes items 57, 74, 75
- 76 FULL WINDSHIELD HARDWARE KIT includes items 77 - 82



- 85 SPLIT WINDSHIELD, KIT CLIP ON  
(INCLUDES ITEMS 86, 58)
- 86 SPLIT WINDSHIELD ASSEMBLY  
(INCLUDES ITEMS 87 - 96)



- 49 SPLIT WINDSHIELD KIT includes items 50, 58  
(FOR VEHICLES MANUFACTURED BEFORE 1<sup>ST</sup> DECEMBER 2014)
- 50 SPLIT WINDSHIELD ASSEMBLY includes items 51 - 57
- 58 SPLIT WINDSHIELD HARDWARE KIT includes items 59 - 64, 94 - 96

# WEATHER PROTECTION

When ordering parts, please specify the model and serial number of the product.

\* Indicates a component that is not available as an individual part.

\*\*\* Indicates consult Customer Service Department for additional information.

ITEM	PART NO.	1 2 3 4 5	DESCRIPTION	QTY.
1				
2	638362		CANOPY STRUTS KIT (INCLUDES ITEMS 3 - 8) .....	1
3	638092G01		CANOPY SUPPORT (DRIVER SIDE FRONT) .....	1
4	638092G02		CANOPY SUPPORT (PASSENGER SIDE FRONT) .....	1
5	626084		CANOPY SUPPORT (DRIVER SIDE REAR) .....	1
6	626085		CANOPY SUPPORT (PASSENGER SIDE REAR) .....	1
7	617641		CANOPY SUPPORT, CROSS TUBE .....	1
8	624119		HARDWARE KIT (INCLUDES ITEMS 9 - 17) .....	1
9	619586		SPACER, 3/4" .....	2
10	11098G6		LOCK NUT, 5/16" - 18 .....	4
11	00438G7		HEX HEAD BOLT, 5/16" - 18 X 7/8" LG .....	4
12	11098G5		LOCK NUT, 3/8" - 16 .....	8
13	00428G2		HEX HEAD BOLT, 3/8" - 16 X 2 1/4" LG .....	8
14	00560G1		FLAT WASHER, 3/8" .....	16
15	00915G1		BONDED SEAL WASHER, 1/4" .....	5
16	601476		LOCK NUT, M6 - 1 .....	5
17	*		TORX BOLT, M6 - 1 X 40MM LG .....	5
18	651139		CANOPY ASSEMBLY, REINFORCED (BLACK) (INCLUDES ITEMS 19 - 24) .....	1
19	639044		CANOPY (BLACK) .....	1
20	651138		REINFORCEMENT BAR ASSEMBLY (INCLUDES ITEMS 21 - 22) .....	1
21	639438		REINFORCEMENT BAR .....	1
22	820951		BUMPER .....	3
23	00559G4		FLAT WASHER, O.D .45" X I.D .19" .....	2
24	608290		PHILLIPS HEAD SELF TAPPING SCREW, #10 - 16 X .72" LG .....	2
25	624829		TOP ENCLOSURE (BLACK) .....	1
26	624830		TOP ENCLOSURE (GRAY) .....	1
27	624831		TOP ENCLOSURE (GREEN) .....	1
28	624832		TOP ENCLOSURE (WHITE) .....	1
29	624833		TOP ENCLOSURE (TAN) .....	1
30	*		VELCRO .....	AR

# WEATHER PROTECTION

When ordering parts, please specify the model and serial number of the product.

\* Indicates a component that is not available as an individual part.

\*\*\* Indicates consult Customer Service Department for additional information.

ITEM	PART NO.	1	2	3	4	5	DESCRIPTION	QTY.
31								
32	71966G03						FULL WINDSHIELD KIT (INCLUDES ITEMS 33 - 38) .....	1
33	71960G01						FULL WINDSHIELD .....	1
34	*						HEX HEAD BOLT, 1/4" - 20 X 1 3/4" LG .....	2
35	*						FLAT WASHER (SS), 1/4" .....	4
36	*						RUBBER GROMMET .....	2
37	*						LOCK NUT (SS), 1/4" - 20 .....	2
38	615662						SASH, 26" LG .....	2
39								
40								
41	71966G04						SPLIT WINDSHIELD KIT (INCLUDES ITEMS 34 - 37, 42, 43).....	1
42	617544						SPORT WINDSHIELD .....	1
43	615661						SASH, 12" LG .....	2
44								
45								
46	27924G01						MIRROR ASSEMBLY .....	1
47								
48								
49	625932						SPLIT WINDSHIELD KIT, CLIP - ON (INCLUDES ITEMS 50, 58) (FOR VEHICLES MANUFACTURED BEFORE 1ST DECEMBER 2014) .....	1
50	*						SPLIT WINDSHIELD ASSEMBLY (INCLUDES ITEMS 51 - 57).....	1
51	*						WINDSHIELD LOWER.....	1
52	*						WINDSHIELD UPPER.....	1
53	*						HINGE .....	1
54	*						GROMMET .....	2
55	*						UPPER LATCH.....	2
56	*						LOWER LATCH.....	2
57	*						WARNING DECAL.....	1
58	625928						HARDWARE KIT, SPLIT WINDSHIELD (INCLUDES ITEMS 59 - 64, 94 - 96) .....	1
59	*						TUBE CLAMP, 1.5" DIA.....	2
60	*						FASTENER GROMMET .....	2



# WEATHER PROTECTION

When ordering parts, please specify the model and serial number of the product.

\* Indicates a component that is not available as an individual part.

\*\*\* Indicates consult Customer Service Department for additional information.

ITEM	PART NO.	1 2 3 4 5	DESCRIPTION	QTY.
61	*		PAN HEAD BOLT, 3/8" - 16 X 1 1/2" LG .....	2
62	*		LOCK NUT, 3/8" - 16 .....	2
63	306981		FLAT WASHER, 3/8" .....	4
64	*		GROMMET ASSEMBLY, 1/4" (INCLUDES ITEMS 65 - 66) .....	2
65	*		GROMMET, 1/4" .....	1
66	*		SLEEVE, 1/4" .....	1
67				
68				
69				
70				
71				
72	625931		FULL WINDSHIELD KIT, CLIP - ON (INCLUDES ITEMS 73, 76).....	1
73	*		FULL WINDSHIELD ASSEMBLY (INCLUDES ITEMS 57, 74, 75) .....	1
74	*		FULL WINDSHIELD .....	1
75	*		GROMMET .....	2
76	*		HARDWARE KIT, FULL WINDSHIELD (INCLUDES ITEMS 77 - 82).....	1
77	*		TUBE CLAMP, 1.5" DIA.....	4
78	*		FASTENER GROMMET .....	4
79	*		PAN HEAD BOLT, 3/8" - 16 X 1 1/2" LG .....	4
80	*		LOCK NUT, 3/8" - 16 .....	4
81	*		FLAT WASHER, 3/8" .....	8
82	*		GROMMET ASSEMBLY, 1/4" (INCLUDES ITEMS 83, 84) .....	2
83	*		GROMMET, 1/4" .....	1
84	*		SLEEVE, 1/4" .....	1
85	638372		SPLIT WINDSHIELD KIT, CLIP ON (INCLUDES ITEMS 86, 58) (FOR VEHICLES MANUFACTURED FROM 1ST DECEMBER 2014) .....	1
86	638120		SPLIT WINDSHIELD ASSEMBLY (INCLUDES ITEMS 87 - 96) .....	1
87	603201		LOWER WINDSHIELD LATCH .....	2
88	71963G01		DECAL .....	1
89	638054		LOWER SPLIT WINDSHIELD .....	1
90	638070		HINGE .....	1

# WEATHER PROTECTION

When ordering parts, please specify the model and serial number of the product.

\* Indicates a component that is not available as an individual part.

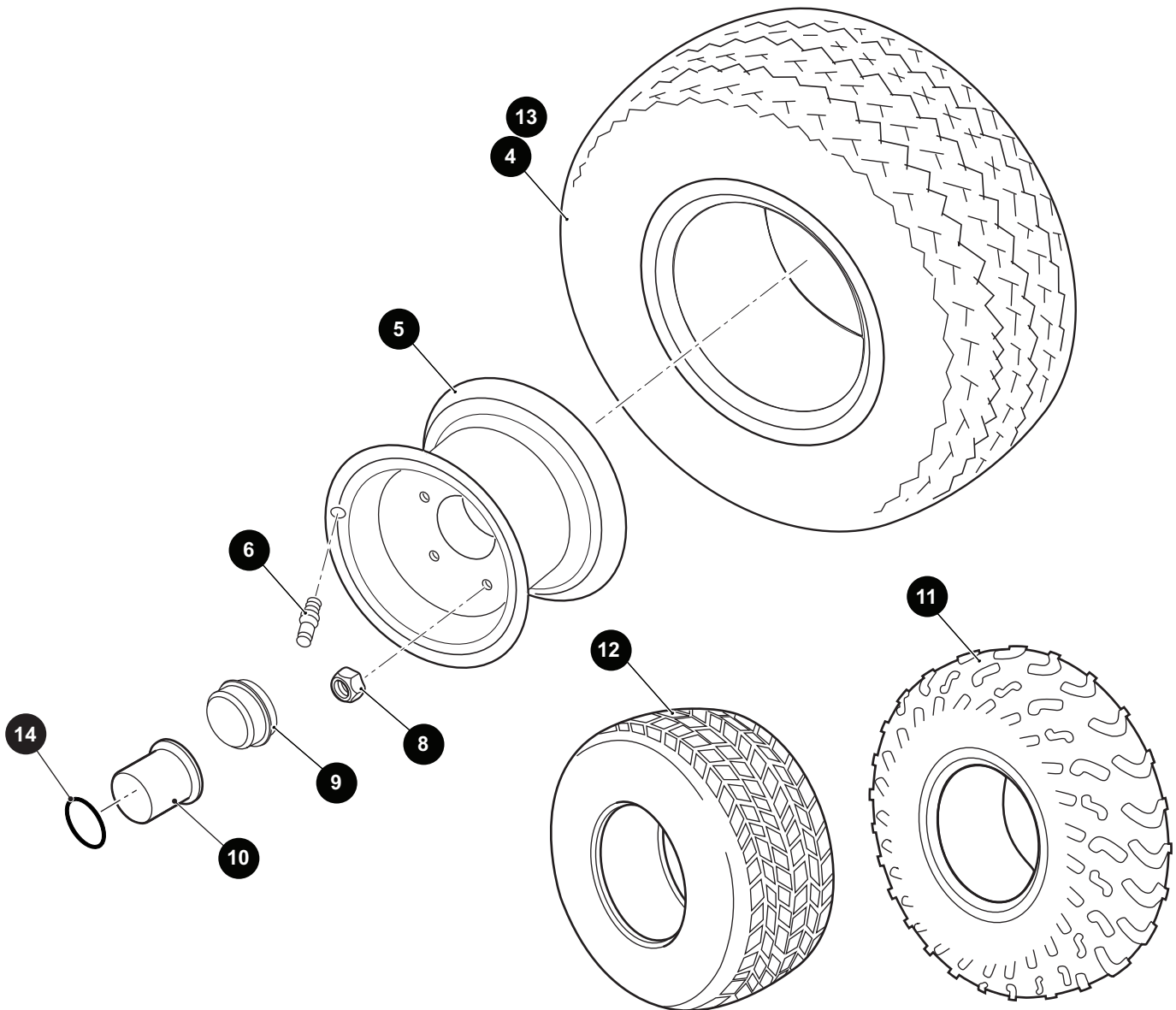
\*\*\* Indicates consult Customer Service Department for additional information.

ITEM	PART NO.	1	2	3	4	5	DESCRIPTION	QTY.
91	604115						GROMMET .....	2
92	619621						UPPER WINDSHIELD LATCH .....	2
93	638053						UPPER SPLIT WINDSHIELD.....	1
94	00753G7						TRUSS HEAD PHILLIPS SCREW, 1/4" - 20 X 2.5" LG .....	2
95	00650G7						FLAT WASHER, 1/4" .....	4
96	00550G1						HEX NUT, 1/4" - 20.....	2



# WHEELS AND TIRES

- 1 TIRE & WHEEL ASSEMBLY (Driver Side) includes items 4, 5, 6
- 2 TIRE & WHEEL ASSEMBLY (Passenger Side) includes items 4, 5, 6  
(Style of tire may differ from tire shown)



# WHEELS AND TIRES

When ordering parts, please specify the model and serial number of the product.

\* Indicates a component that is not available as an individual part.

\*\*\* Indicates consult Customer Service Department for additional information.

ITEM	PART NO.	1 2 3 4 5	DESCRIPTION	QTY.
1	28630G04		TIRE & WHEEL ASSEMBLY (DRIVER SIDE) (INCLUDES ITEM 4, 5, 6) .....	1
2	28630G05		TIRE & WHEEL ASSEMBLY (PASSENGER SIDE) (INCLUDES ITEM 4, 5, 6)...	1
3				
4	28630G01		TIRE, 22 X 9 - 10 .....	1
5	15172G02		WHEEL RIM (4 LUG).....	1
6	11657G1		VALVE STEM.....	1
7				
8	14723G1		LUG NUT, 1/2" -20 .....	A/R
9	12091G2		SPINDLE CAP .....	1
10	601353		WHEEL CAP .....	1
11	605624		TIRE, 20 X 10 - 10 TURF SAVER (OPTIONAL) .....	1
12	607253		TIRE, 22 X 11 - 10 TERRA TRAC (OPTIONAL) .....	1
13	623939		WHEEL TIRE SHIPPING .....	1
14	650164		O-RING .....	1







A Textron Company

**E-Z-GO Division of Textron Inc.,**  
1451 Marvin Griffin Road, Augusta, Georgia 30906 - 3852 USA

**TO CONTACT US...**

North America:

**Technical Assistance & Warranty** Phone: 1-800-774-3946, FAX: 1-800-448-8124

**Service Parts** Phone: 1-888-GET-E-Z-GO (1-888-438-3946), FAX: 1-800-752-6175

International: Phone: 001-706-798-4311, FAX: 001-706-771-4609

Service Parts Manuals, as well as Repair and Service Manuals  
are available from a local Distributor, an authorized Branch,  
Genuine E-Z-GO Parts & Accessories Department or at [www.shopezgo.com](http://www.shopezgo.com).

Copyrighted Material  
This manual may not be reproduced in whole or  
in part without the express permission of  
E-Z-GO Division of Textron Inc.  
Technical Communications Department