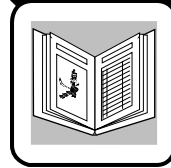
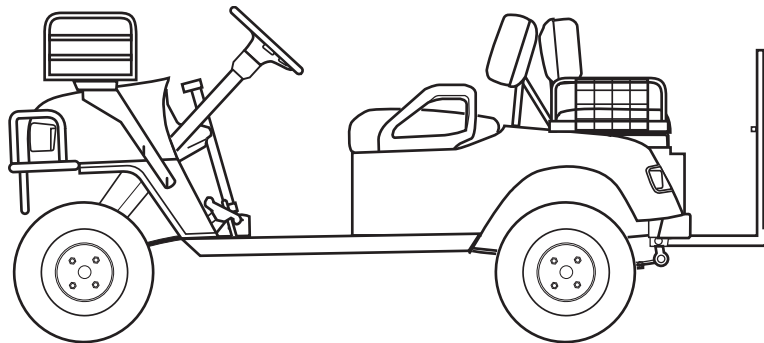
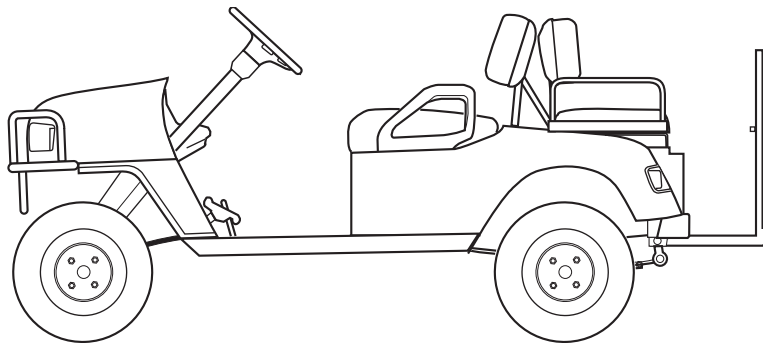


611855



SERVICE PARTS MANUAL



GASOLINE POWERED UTILITY VEHICLE

ISSUED JANUARY 2009 REVISED MAY 2012

SERVICE PARTS MANUAL

GASOLINE POWERED UTILITY VEHICLE

E-Z-GO VEHICLES

CLAYS CAR

CLAYS CAR CARB

ST SPORT 2+2

ST SPORT 2+2 CARB

ST CUSTOM CARB

BAD BOY BUGGY VEHICLES

LTO

HD

STARTING MODEL YEAR 2009

DISCLAIMER: The E-Z-GO Division of Textron Inc. (E-Z-GO) reserves the right to incorporate engineering and design changes to products in this Manual, without obligation to include these changes on units leased/sold previously.

The information contained in this Manual may be revised periodically E-Z-GO, and therefore is subject to change without notice.

E-Z-GO DISCLAIMS LIABILITY FOR ERRORS IN THIS MANUAL, and E-Z-GO SPECIFICALLY DISCLAIMS LIABILITY FOR INCIDENTAL AND CONSEQUENTIAL DAMAGES RESULTING FROM THE USE OF THE INFORMATION AND MATERIALS IN THIS MANUAL.

CUSTOMER SERVICE DEPARTMENT IN USA PHONE: 1-800-241-5855, FAX: 1-800-448-8124

OUTSIDE USA PHONE: 001-706-798-4311, FAX: 001-706-771-4609

GENERAL INFORMATION

To obtain a copy of the limited warranty applicable to the vehicle, call or write a local Distributor, authorized Branch or the Warranty Department with vehicle serial number and manufacturer code.

The use of non Original Equipment Manufacturer (OEM) parts may void the warranty.

Overfilling of batteries may void the warranty.

BATTERY PROLONGED STORAGE

All batteries will self discharge over time. The rate of self discharge varies depending on the ambient temperature and the age and condition of the batteries.

A fully charged battery will not freeze in winter temperatures unless the temperature falls below -75° F (-60° C).

As with all electric vehicles, the batteries must be checked and recharged as required or at a minimum of 30 day intervals.

TABLE OF CONTENTS

SECTION	Page No.
HOW TO USE THE SERVICE PARTS MANUAL	v
ILLUSTRATED PARTS BREAKDOWN	vii
ACCELERATOR	A-1
• Pedal Box Assembly	
• Actuator Pedal Assembly	
• Governor Cover/Decal	
AIR FILTER	B-1
• Air Cleaner	
BODY	C-1
• Instrument Panel Assembly	
• Cowl	
• Front Bracket Assembly	
• Rear Body	
• Foot Rest Assembly	
BRAKES	D-1
• Brake Pedal Assembly	
• Brake Drum Assembly	
CARBURETOR AND CHOKE	E-1
• Carburetor	
• Choke Cable	
CLUTCH	F-1
• Drive Clutch	
• Driven Clutch Assembly	
DIRECTION SELECTOR	G-1
• Direction Selector Handle	
ELECTRICAL SYSTEM	H-1
• Battery	
• Ground Cable	
• Electrical Plate Assembly	
• Horn	
ENGINE AND MUFFLER	J-1
• Engine	
• Muffler	
ENGINE MOUNTING	K-1
• Front Engine Mount	

TABLE OF CONTENTS

- Engine Pan Mount
- Iso Mount

FRONT SUSPENSION AND STEERING L-1

- Front Axle
- Spindle Assembly
- Shock Absorber
- Steering Shaft
- Steering Column
- Tie Rod Assembly

FUEL SYSTEM M-1

- CARB Fuel Tank Assembly
- Fuel Pump
- Carbon Canister

REAR AXLE N-1

- Axle Tube
- Axle Shaft

REAR SUSPENSION P-1

- Heavy Duty Leaf Spring
- Flanged Bushing

SEATING Q-1

- Seat Bottom Assembly
- Seat Back Assembly

STARTER / GENERATOR R-1

- Insulating Brush Assembly
- Starter/Generator Adjuster

WEATHER PROTECTION T-1

- Sun Top Kit
- Windshield Kit

WHEELS AND TIRES U-1

SPECIALTY PRODUCTS APPENDIX A-1

OPTIONS AND ACCESSORIES APPENDIX B-1

HOW TO USE THE SERVICE PARTS MANUAL

This manual is divided into several sections:

- GENERAL INFORMATION
- ILLUSTRATED PARTS BREAKDOWN
- APPENDIX

The first section, GENERAL INFORMATION, contains the following information:

- WARRANTY INFORMATION
- GENERAL INDEX
- HOW TO USE THE SERVICE PARTS MANUAL

The second section, ILLUSTRATED PARTS BREAKDOWN, contains illustrations and parts lists for all systems of your vehicle.

The third section, APPENDIX, contains a listing of specialty products and accessories.

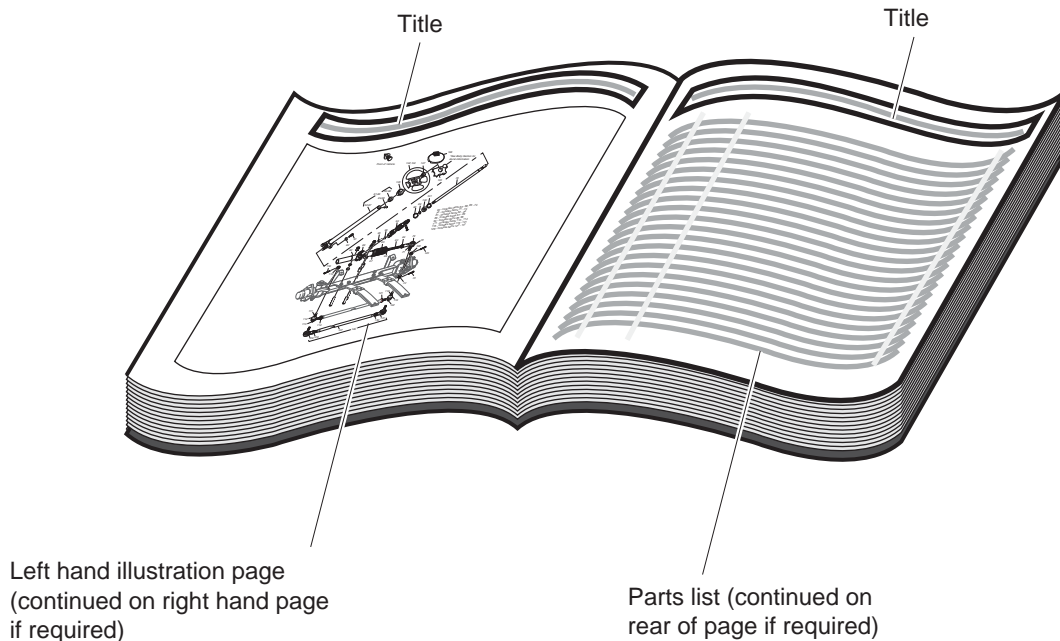
USE OF THE MANUAL

To use this manual, consult the GENERAL INDEX to locate the information or illustration required.

Introduction of some revisions varies due to supply of components; therefore, it is possible that various combinations of components may be found that are not directly reflected by each illustration. Consult the illustration that best suits your situation and then contact the Service Parts Department. It is important that the serial number of your vehicle and its model number be supplied to Service Parts when ordering any replacement components.

Locate the serial number plate (see BODY located in the Illustrated Parts Breakdown section of this manual for its location) and note the complete number shown on the plate.

HOW TO USE THE SERVICE PARTS MANUAL



1. WHEN THE PART NUMBER IS NOT KNOWN

- Determine the function and application of the part required. Turn to the General Index and select the most appropriate title.
- Turn to the page number indicated and locate the desired part on the illustration.
- From the illustration, obtain the item number assigned to the desired part. Refer to the accompanying description for specific information regarding the part.

2. IF YOU KNOW THE PART NUMBER

- Locate the part number or description in the appropriate column on the parts list page.

NOTE: It is suggested that you confirm that the part selected is correct by verifying it with the pictorial representation on the illustrated page.

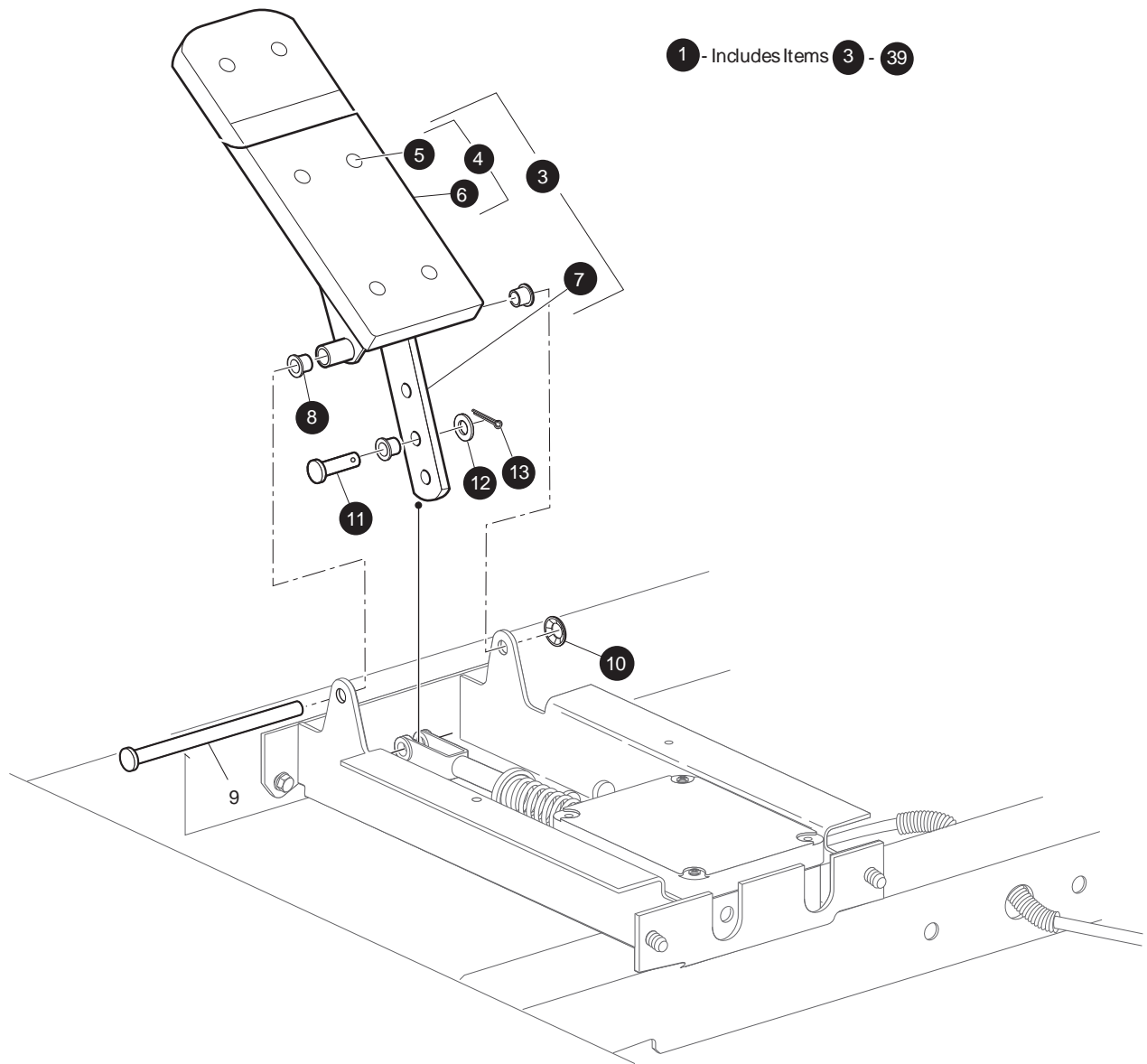
Should an asterisk (*) appear in the part number column on the parts list page, read upwards until a part number is found. The part number is the lowest assembly sold by Service Parts and the asterisk (*) indicates that the part depicted is not available for purchase.

NOTE: Descriptions are indented under the assembly that they are used on. That assembly is, in turn listed under the assembly that it is used on. This process is repeated until the highest final assembly is reached.

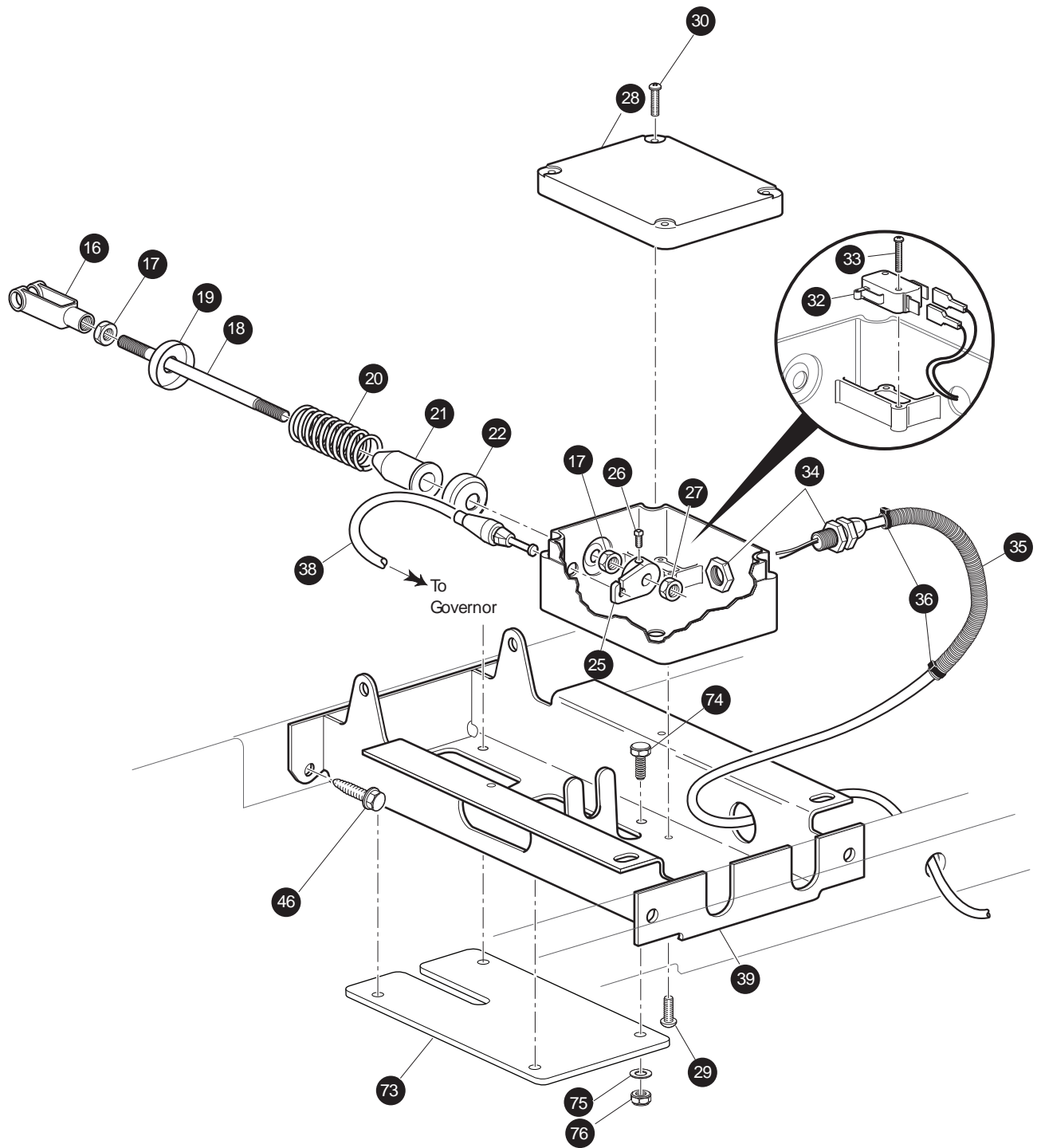
To facilitate the maintenance and repair of the vehicle, a Technician's Repair and Service Manual is available from the Service Parts Department.

ILLUSTRATED PARTS BREAKDOWN

ACCELERATOR

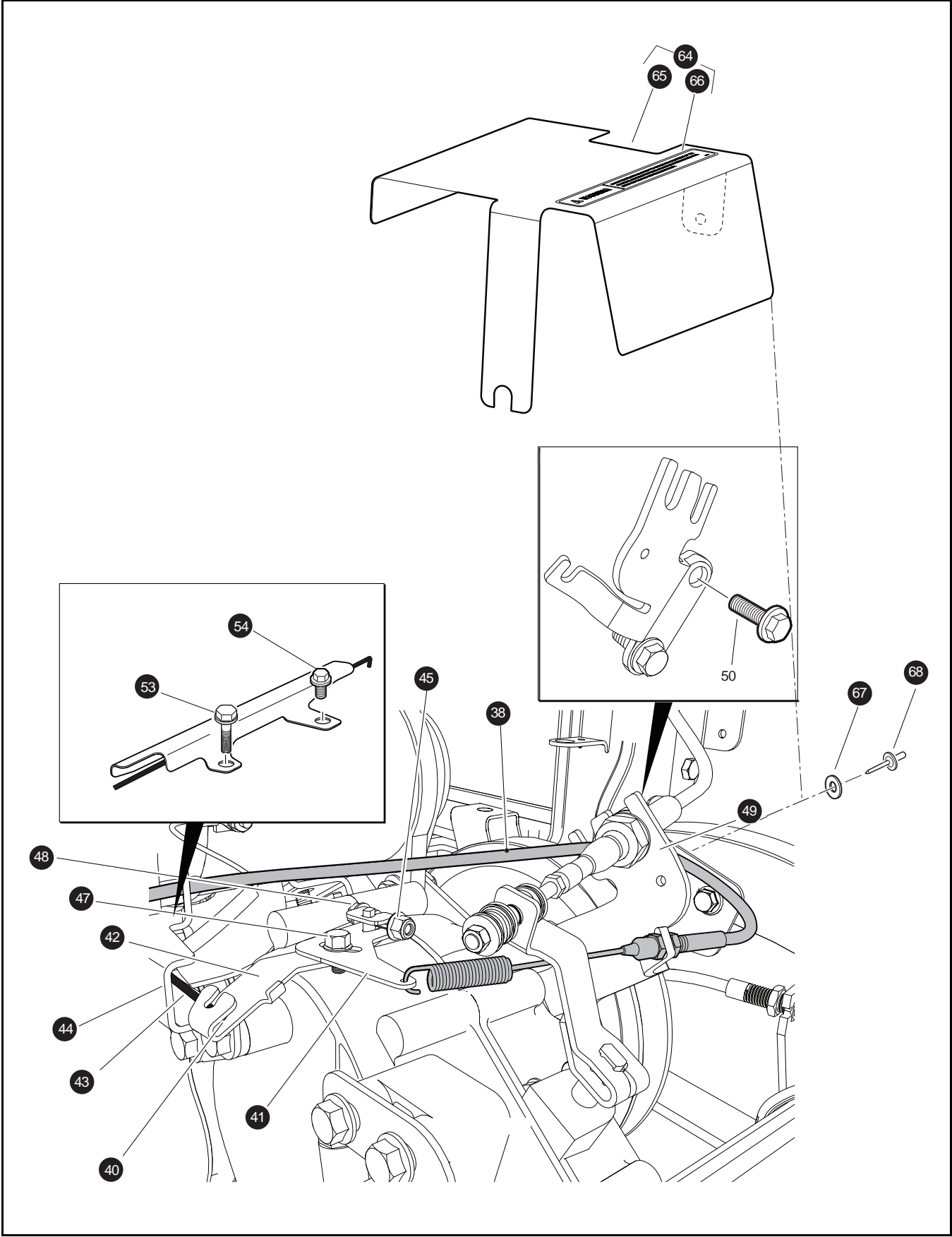


Ref Acl 11-1



Ref Act 11-2

ACCELERATOR



When ordering parts, please specify the model and serial number of the product.

* Indicates a component that is not available as an individual part.

G** Indicates consult Customer Service Department for additional information.

ITEM	PART NO.	1 2 3 4 5	DESCRIPTION	QTY.
1	606990		PEDAL BOX ASSEMBLY (INCLUDES ITEMS 3 - 39)	1
2				
3	25799-G03		ACCELERATOR PEDAL ASSEMBLY (INCLUDES ITEMS 4 - 7).....	1
4	27844-G01		ACCELERATOR PEDAL PAD KIT (INCLUDES ITEMS 5 - 6).....	1
5	16409-G1		OVAL RIVET, 3/16" X 7/16" LG.....	6
6	27512-G01		ACCELERATOR PEDAL PAD	1
7	*		ACCELERATOR PEDAL	1
8	17838-G1		NYLON BUSHING	3
9	74432-G01		PEDAL PIVOT PIN	1
10	12064-G6		PUSH NUT, 9/32".....	1
11	10386-G3		CLEVIS PIN, 5/16" X 13/16" LG	1
12	17255-G1		TEFLON WASHER, 5/16".....	1
13	10387-G3		COTTER PIN, 3/32" X 3/4" LG	1
14				
15				
16	10385-G4		CLEVIS YOKE (ADJUSTABLE).....	1
17	00532-G4		NUT, 5/16 - 24.....	2
18	72072-G01		ACCELERATOR ROD	1
19	17677-G2		SPRING RETAINER, 3/8"	1
20	73046-G01		COMPRESSION SPRING	1
21	17979-G1		ACCELERATOR ROD BUSHING	1
22	17677-G1		SPRING RETAINER, 1/2"	1
23				
24				
25	72716-G01		MICRO SWITCH CAM.....	1
26	00487-G3		SETSCREW, 1/4 - 20 X 3/8" LG.	1
27	15126-G1		LOCK NUT, 5/16 - 24.....	1
28	25853-G03		PEDAL BOX AND COVER	1
29	01051-G01		SCREW, #8 - 16 X 1/2" LG.	4
30	00684-G6		SCREW, #8 - 32 X 3/4" LG (STAINLESS STEEL).....	2

ACCELERATOR

When ordering parts, please specify the model and serial number of the product.

* Indicates a component that is not available as an individual part.

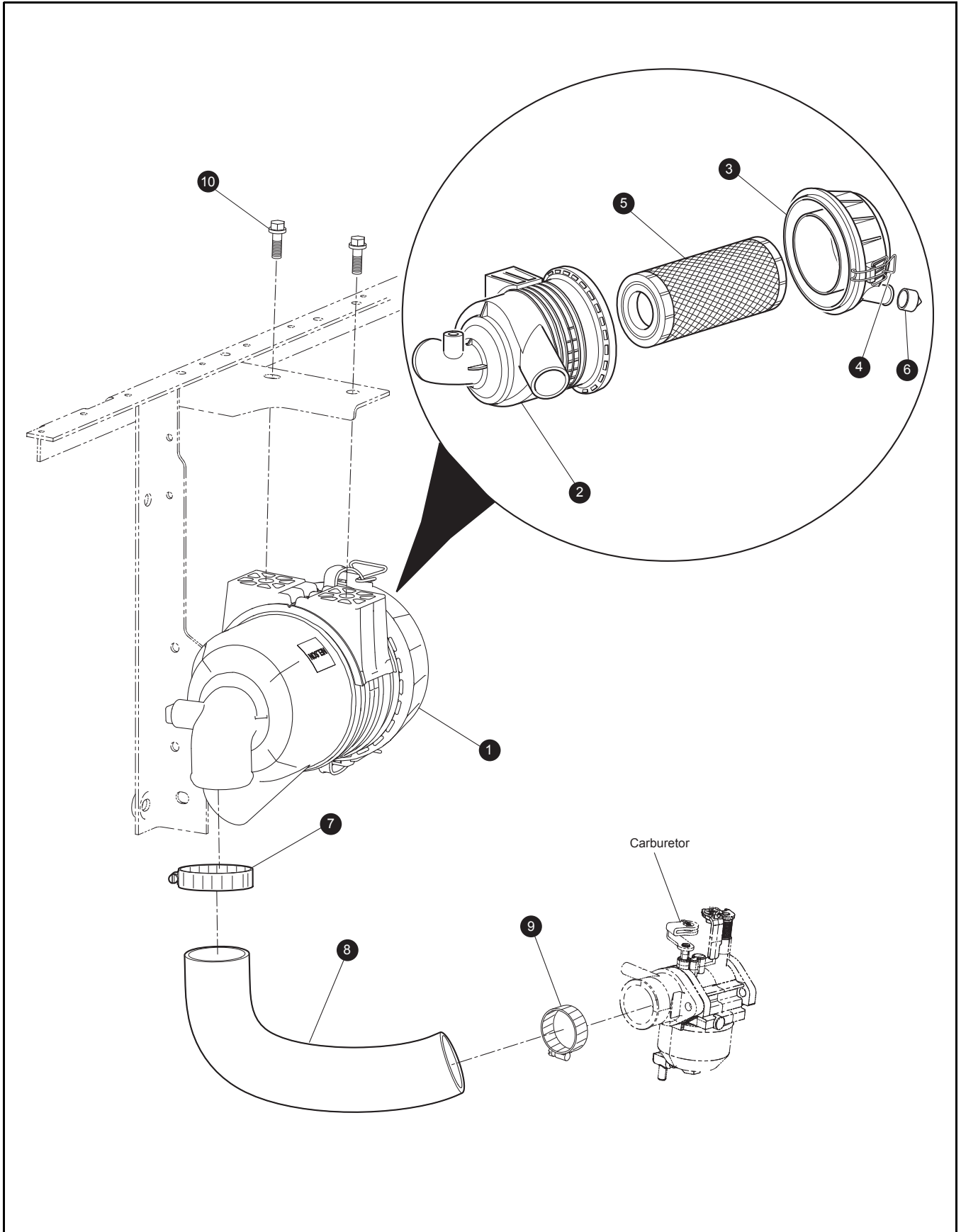
G** Indicates consult Customer Service Department for additional information.

ITEM	PART NO.	1	2	3	4	5	DESCRIPTION	QTY.
31								
32	25861-G01						MICRO SWITCH.....	1
33	01050-G01						SCREW, #4 - 20 X 5/8" LG	2
34	72201-G04						WIRE HARNESS (PEDAL BOX)	1
35	17313-G1						FLEX LOOM (BULK).....	AR
36	17618-G1						WIRE TIE	2
37								
38	608608						ACCELERATOR CABLE	1
39	70116-G02						ACCELERATOR PEDAL BRACKET.....	1
40	606283						GOVERNOR LEVER BUSHING	1
41	606083						UPPER GOVERNOR BRACKET	1
42	606005						LOWER GOVERNOR BRACKET	1
43	606284						GOVERNOR ROD	1
44	603890						GOVERNOR ROD GUARD	1
45	450452						NUT, M6 - 1.0	
46	00715-G2						BOLT, 5/16 - 18 X 4/5" LG	4
47	606265						BOLT, M6 - 1 X 12	1
48	606421						BOLT, M6 - 1 X 30	1
49	606074						GOVERNOR CABLE/DIRECTION SELECTOR BRACKET	1
50	606256						BOLT M10 - 1.25 X 25.....	2
51	72703-G02						THROTTLE CABLE MOUNTING BRACKET	1
52	26830-G01						LOCK NUT, M8 X 1.25 MM	2
53	606264						BOLT, M6 - 1 X 20	1
54	606262						BOLT, M8 - 1 X 20	1
55								
56								
57								
58								
59								
60								

When ordering parts, please specify the model and serial number of the product.
 * Indicates a component that is not available as an individual part.
 G** Indicates consult Customer Service Department for additional information.

ITEM	PART NO.	1 2 3 4 5	DESCRIPTION	QTY.
61				
62				
63				
64	607035		GOVERNOR COVER/DECAL ASSEMBLY (INCLUDES ITEMS 65, 66).....	1
65	606199		GOVERNOR COVER	1
66	608527		LABEL (WARNING - GOVERNOR).....	1
67	00915-G1		BONDED WASHER, 1/4"	2
68	14601-G11		RIVET, 3/16" X 9/16" LG (ALUMINUM).....	2
69				
70				
71	17618-G1		WIRE TIE	1
72				
73	612487		PEDAL GUARD.....	1
74	00414-G6		BOLT 1/4 - 20 X 3/4" LG.....	4
75	01110-G01		WASHER, 1/4" (STAINLESS STEEL)	4
76	00654-G2		LOCK NUT, 1/4 - 20 (STAINLESS STEEL)	4

AIR FILTER



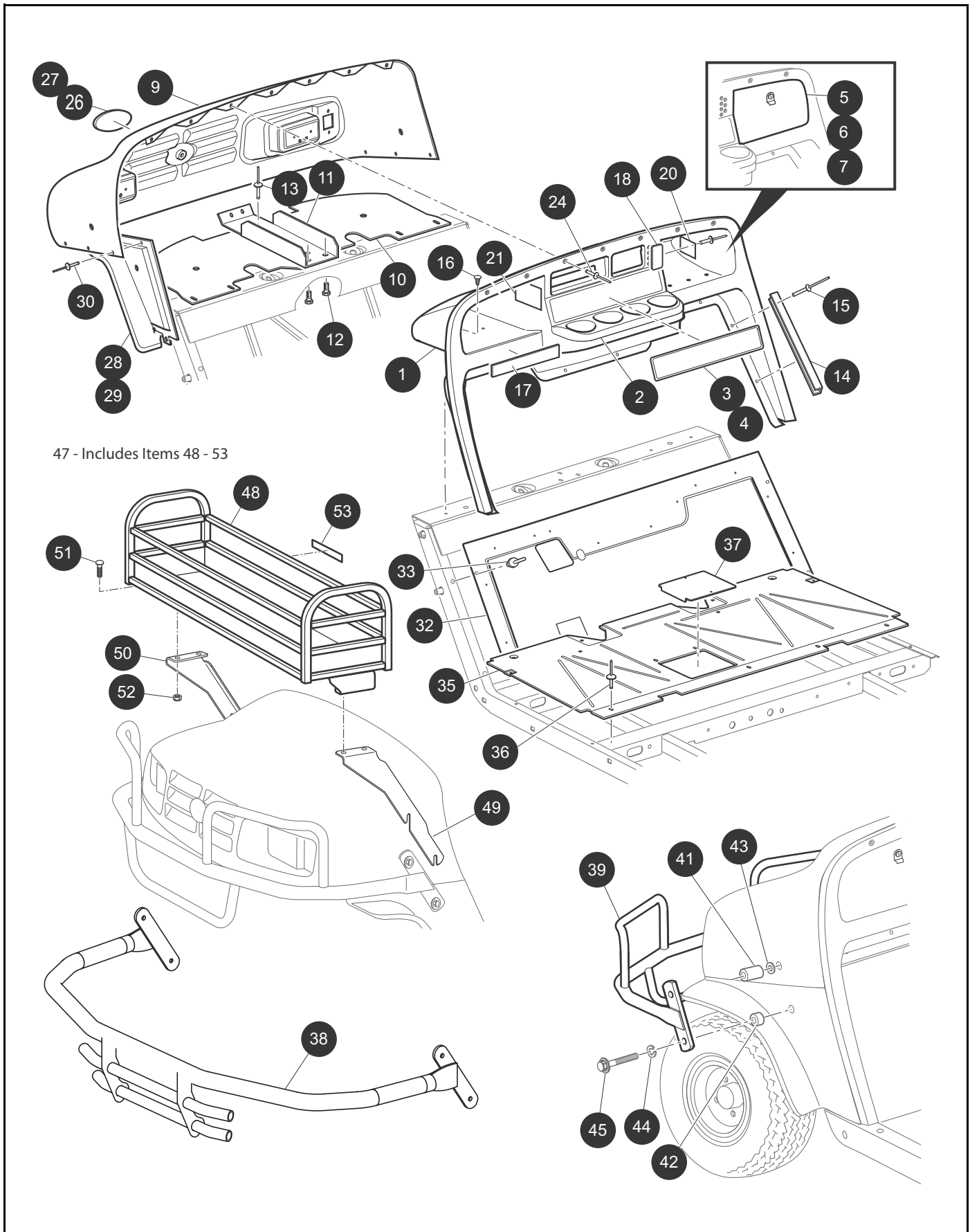
When ordering parts, please specify the model and serial number of the product.

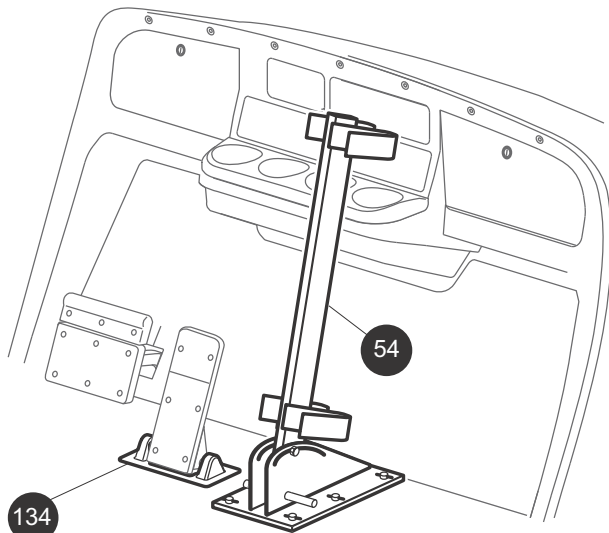
* Indicates a component that is not available as an individual part.

*** Indicates consult Customer Service Department for additional information.

ITEM	PART NO.	1 2 3 4 5	DESCRIPTION	QTY.
1	606952		AIR CLEANER (INCLUDES ITEMS 2 - 6)	1
2	607269		BODY & BRACKET ASSEMBLY	1
3	72599G01		AIR CLEANER COVER	1
4	72604G01		AIR CLEANER CLIP	2
5	28463G01		AIR FILTER	1
6	28462G01		VALVE DUST EJECTOR	1
7	11391G7		HOSE CLAMP	1
8	607950		HOSE	1
9	11391G1		HOSE CLAMP	1
10	25532G1		BOLT AND WASHER, M8 X 1.25 X 18 MM	2

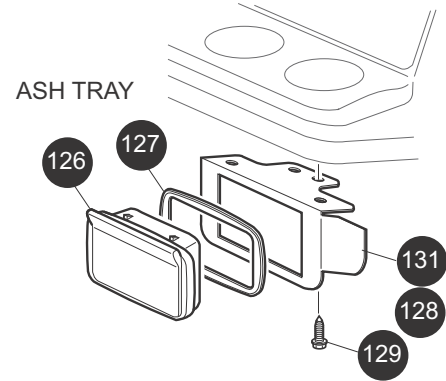
BODY



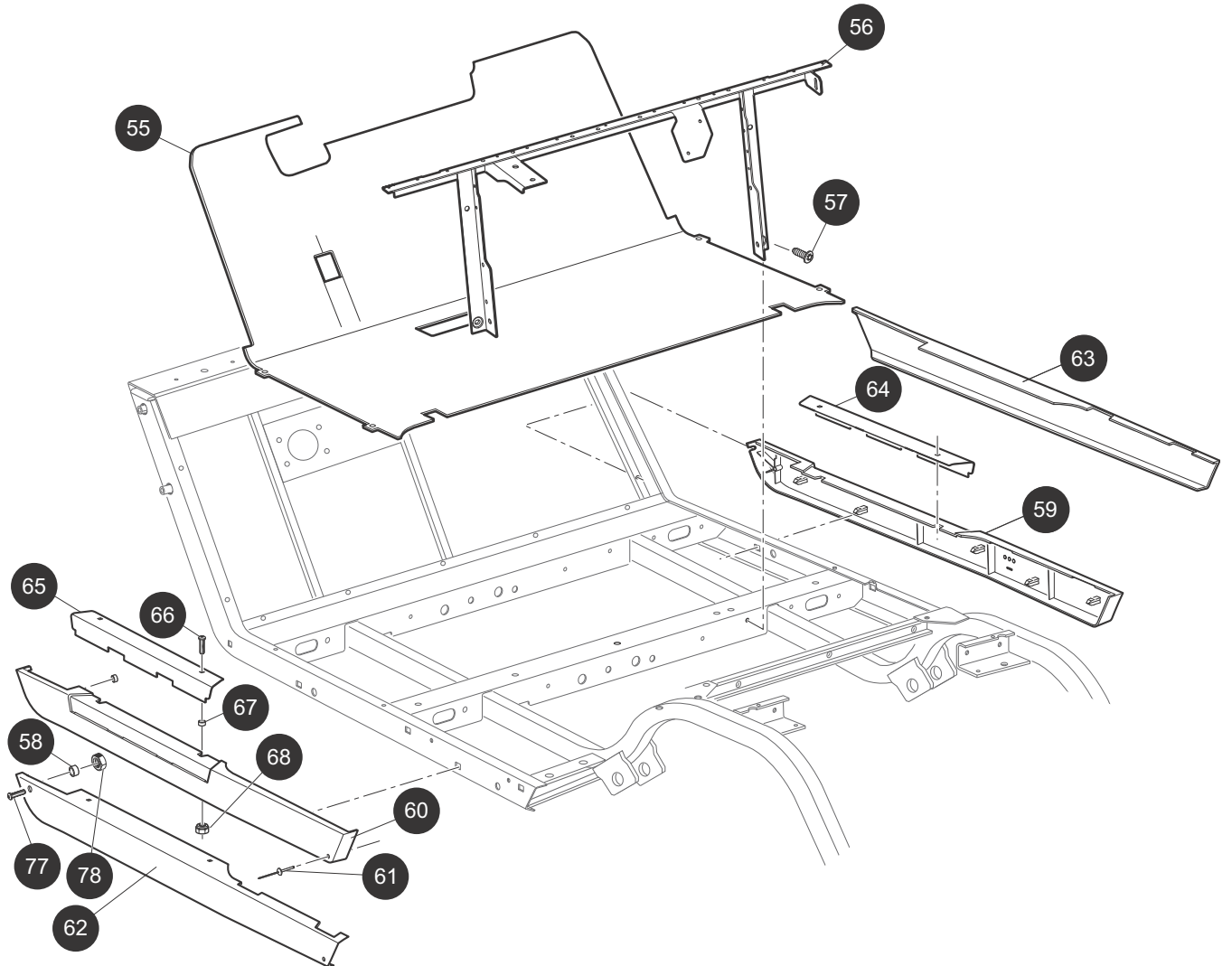


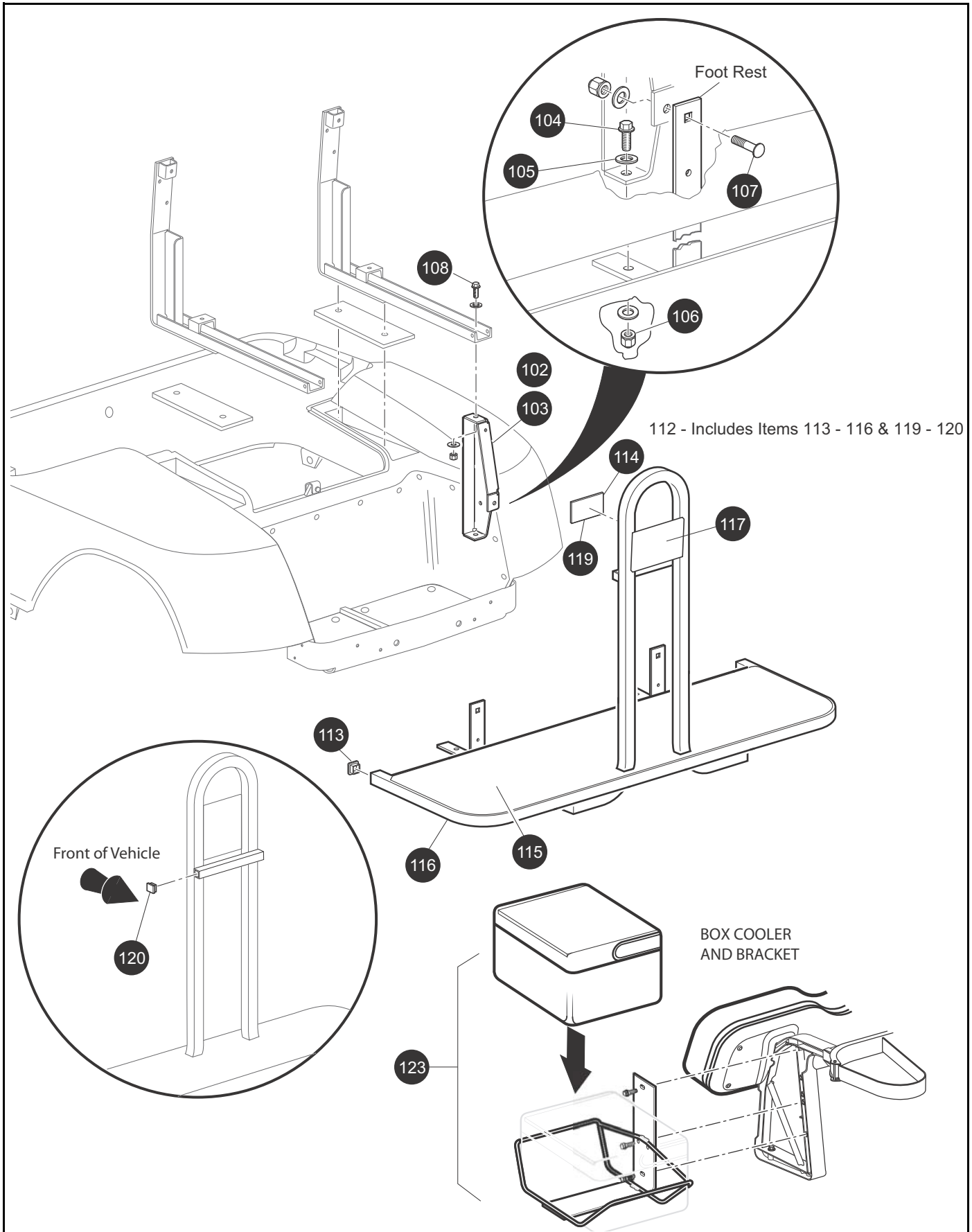
**FLOOR MOUNT
GUN HOLDER**

125 - Includes Items 126 - 129
130 - Includes Items 126 - 127, 129, 131



ASH TRAY





BODY

When ordering parts, please specify the model and serial number of the product.

* Indicates a component that is not available as an individual part.

*** Indicates consult Customer Service Department for additional information.

ITEM	PART NO.	1	2	3	4	5	DESCRIPTION	QTY.
1	71151G03						INSTRUMENT PANEL ASSEMBLY	1
2	27169G01						INSTRUMENT PANEL INSERT (FOUR CUP)	1
3	35962G01						LABEL (SAFETY).....	1
4	601781						PICTOGRAM SAFETY LABEL.....	1
5	75459G01						GLOVE BOX DOORS (BOTH SIDES)	1
6	75459G02						GLOVE BOX DOOR (DRIVER SIDE)	1
7	75459G03						GLOVE BOX DOOR (PASSENGER SIDE).....	1
8								
9	71468G**						COWL.....	1
10	71413G01						SPLASH PANEL.....	1
11	71101G02						COWL SUPPORT BRACKET	1
12	71102G02						BOLT, 1/4 - 20 X 1/2" LG	3
13	71055G01						RIVET, 3/16" X 1 1/8" LG (ALUMINUM).....	1
14	71115G01						VINYL TRIM	2
15	71055G01						RIVET, 3/16" X 1" LG (ALUMINUM).....	10
16	16816G2						RATCHET FASTENER, 1/4" X 3/4" LG	4
17	74443G01						LABEL (ANTI-ROLLBACK)	1
18	35968G01						LABEL (TEE HOLDER COVER)	1
19								
20	*						SERIAL NUMBER PLATE	1
21	*						CAPACITY PLATE.....	1
22								
23								
24	71055G01						RIVET, 3/16" X 1" LG (ALUMINUM).....	7
25								
26	74813G01						NAMEPLATE (E-Z-GO) (OVAL)	1
27	617803						NAMEPLATE (BAD BOY BUGGIES OVAL).....	1
28	71338G01						FENDER FLARE (DRIVER SIDE).....	1
29	71338G02						FENDER FLARE (PASSENGER SIDE)	1
30	71055G01						RIVET, 3/16" X 1" LG (ALUMINUM).....	14
31								

When ordering parts, please specify the model and serial number of the product.

* Indicates a component that is not available as an individual part.

*** Indicates consult Customer Service Department for additional information.

ITEM	PART NO.	1 2 3 4 5	DESCRIPTION	QTY.
32	70662-G01		UPPER FLOORPAN (FRAME MOUNTED STEERING).....	1
33	14601G11		RIVET, 3/16" X 9/16" LG (ALUMINUM).....	9
34				
35	70451G01		LOWER FLOORPAN	1
36	14601G11		RIVET, 3/16" X 9/16" LG (ALUMINUM).....	7
37	70452G01		ACCESS COVER.....	1
38	618217		3 BAR CHROME BRUSH GUARD (ST CUSTOM).....	1
39	74265G02		BUMPER.....	1
40				
41	75058G04		SPACER 1"	2
42	75048G01		SPACER, 1/2"	2
43	00570G2		WASHER, 5/16"	2
44	00905G8		LOCK WASHER, 5/16"	4
45	01035G02		BOLT, 5/16 - 18 X 2 1/2" LG.....	4
46				
47	74521G02		FRONT BASKET ASSEMBLY (INCLUDES ITEMS 48 - 53).....	1
48	74523G01		FRONT BASKET	1
49	74522G01		BASKET MOUNTING BRACKET (DRIVER SIDE)	1
50	74522G02		BASKET MOUNTING BRACKET (PASSENGER SIDE).....	1
51	00725G1		CARRIAGE BOLT, 3/8 - 16 X 1" LG (STAINLESS STEEL)	4
52	00891G1		LOCK NUT, 3/8 - 16.....	4
53	71931G01		LABEL, FRONT BASKET (WARNING)	1
54	74365G01		GUN HOLDER, FLOOR MOUNT.....	1
55	70995G02		FLOORMAT WITH HORN HOLES (1/8").....	1
56	605694		SEAT FRAME	1
57	00715G2		BOLT, 5/16 - 18 X 4/5" LG.....	2
58	23726G2		SPACER, .25.....	2
59	71501G01		ROCKER PANEL (PASSENGER SIDE)	1
60	71502G01		ROCKER PANEL (DRIVER SIDE).....	1
61	15058G6		RIVET, 3/16" X 15/16" LG (ALUMINUM).....	4
62	617867		ROCKER PANEL, STEEL (DRIVER SIDE)	1

BODY

When ordering parts, please specify the model and serial number of the product.

* Indicates a component that is not available as an individual part.

*** Indicates consult Customer Service Department for additional information.

ITEM	PART NO.	1 2 3 4 5	DESCRIPTION	QTY.
63	617870		ROCKER PANEL, STEEL (PASSENGER SIDE)	1
64	71507G01		SILL PLATE (PASSENGER SIDE)	1
65	71507G02		SILL PLATE (DRIVER SIDE).....	1
66	16705G1		SCREW, 1/4 - 20 X 1" LG (STAINLESS STEEL)	4
67	23726G4		SPACER, 5/16"	4
68	14390G04		LOCK NUT, 1/4 - 20 (PLASTIC INSERT)	4
69	70244G03		SPLASH PANEL.....	2
70				
71	600496		BATTERY TRAY	1
72	00715G2		BOLT, 5/16 - 18 X 4/5" LG	8
73	71551G01		FENDER LINER, EXTENDED (PASSENGER SIDE).....	1
74	71552G01		FENDER LINER, EXTENDED (DRIVER SIDE)	1
75	16816G2		RATCHET FASTENER, 1/4" X 3/4" LG	8
76	14601G17		RIVET	2
77	00789G2		TRUSS HEAD PHILIPS SCREW, #10-24X1.25.....	2
78	14390G10		LOCK NUT, #10-24.....	2
79	71330G5**		REAR BODY (WITHOUT TAILLIGHTS) (INCLUDES ITEMS 81, 82)	1
80	71330G6**		REAR BODY (WITH TAILLIGHTS) (INCLUDES ITEMS 81, 82).....	1
81	71318G01		BAGWELL LINER	1
82	16816G1		RATCHET FASTENER, 1/4" X 9/16" LG.....	26
83				
84	71320G01		ACCESS PANEL	1
85	01107G01		SCREW, #8 X 3/8" LG (STAINLESS STEEL).....	5
86	71364G02		"J" CLIP	1
87	10570G12		RIVET, 1/4" X 9/16" LG (ALUMINUM)	4
88	10570G10		RIVET, 5/32" X 9/16" LG (STAINLESS STEEL)	6
89	18436G1		PLASTIC DRIVE RIVET, 1/4" X 3/4" LG.....	2
90	71609G01		SEAT HINGE PLATE	2
91	10570G11		RIVET, 3/16" X 3/4" LG (STAINLESS STEEL)	4
92	00571G2		WASHER, 5/16".....	2
93	71456G01		NOTCHED REAR BUMPER	1

When ordering parts, please specify the model and serial number of the product.

* Indicates a component that is not available as an individual part.

*** Indicates consult Customer Service Department for additional information.

ITEM	PART NO.	1 2 3 4 5	DESCRIPTION	QTY.
94	71398G01		BOLT, 1/4 - 20 X 1 1/4" LG.....	2
95	71455G01		BUMPER PLUG.....	4
96	71102G01		BOLT, 1/4 - 20 x 11/16" LG.....	2
97	71554G01		J-TYPE NUT RETAINER, 1/4 - 20.....	2
98	71457G01		BUMPER STAY.....	4
99				
100	74532G01		LABEL (CLAYS CAR).....	2
101	617806		LABEL (BAD BOY BUGGIES).....	2
102	74126G01		VERTICAL FRAME SUPPORT (PASSENGER SIDE).....	1
103	74126G02		VERTICAL FRAME SUPPORT (DRIVER SIDE).....	1
104	00427G6		BOLT, 3/8 - 16 X 1 1/2" LG.....	2
105	00560G1		WASHER, 3/8".....	14
106	11098G5		LOCK NUT, 3/8 - 16.....	6
107	00769G2		CARRIAGE BOLT, 3/8 - 16 X 1 1/4" LG.....	2
108	00426G8		BOLT, 3/8 - 16 X 1" LG.....	2
109				
110				
111				
112	70361G03		FOOTREST ASSEMBLY (INCLUDES ITEMS 113 - 116 & 119 - 120).....	1
113	19853G1		END CAP, 1".....	2
114	71929G01		LABEL (WARNING).....	1
115	70362G01		FLOORMAT.....	1
116	70633G01		FOOTREST.....	1
117	74132G01		LABEL (LOAD BED LIMIT WARNING).....	1
118				
119	610631		LABEL (WARNING) (CLAYS CAR).....	1
120	19859G1		END CAP, 3/4".....	2
121				
122				
123	71048G01		COOLER AND BRACKET KIT (INCLUDES HARDWARE).....	1
124				

BODY

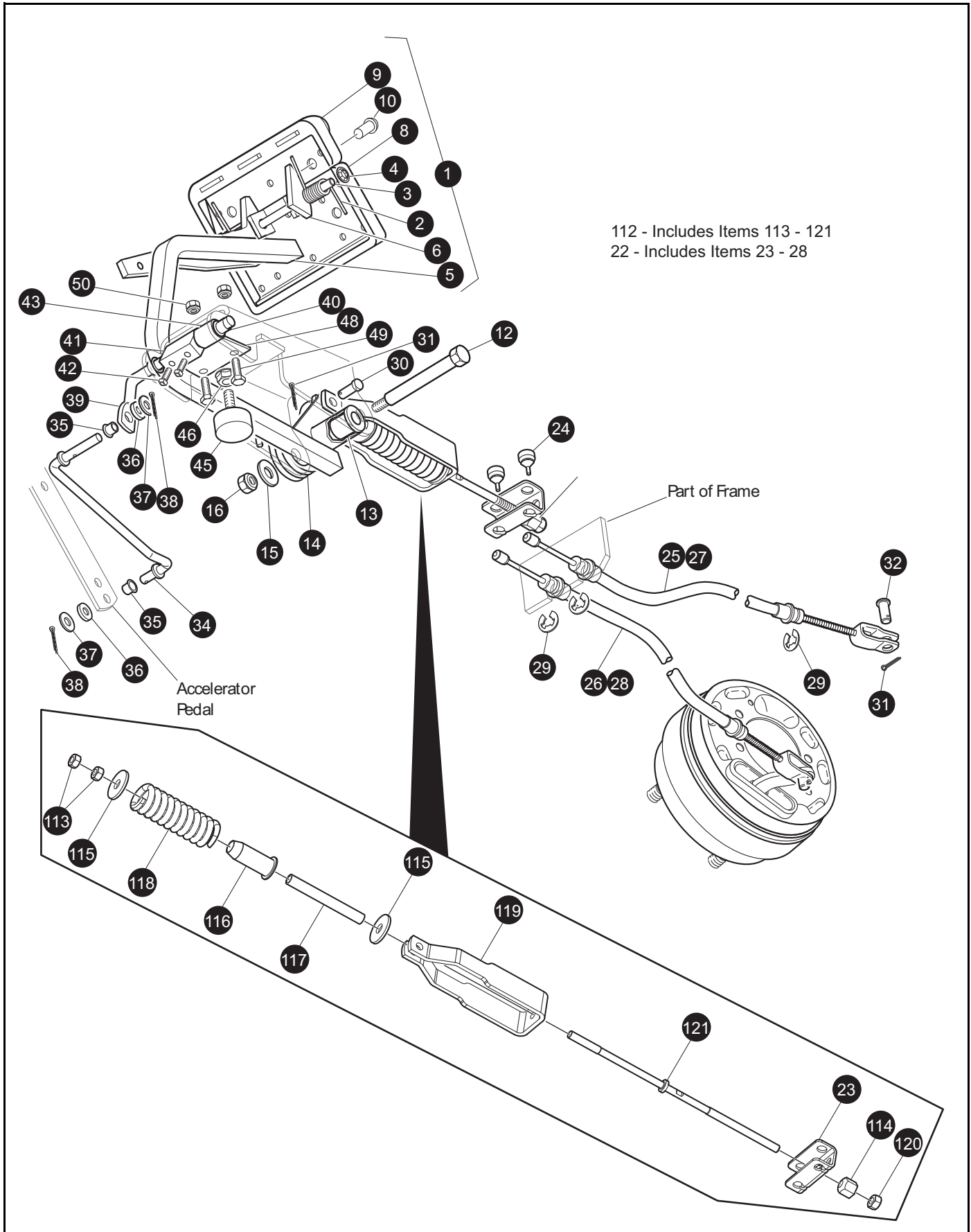
When ordering parts, please specify the model and serial number of the product.

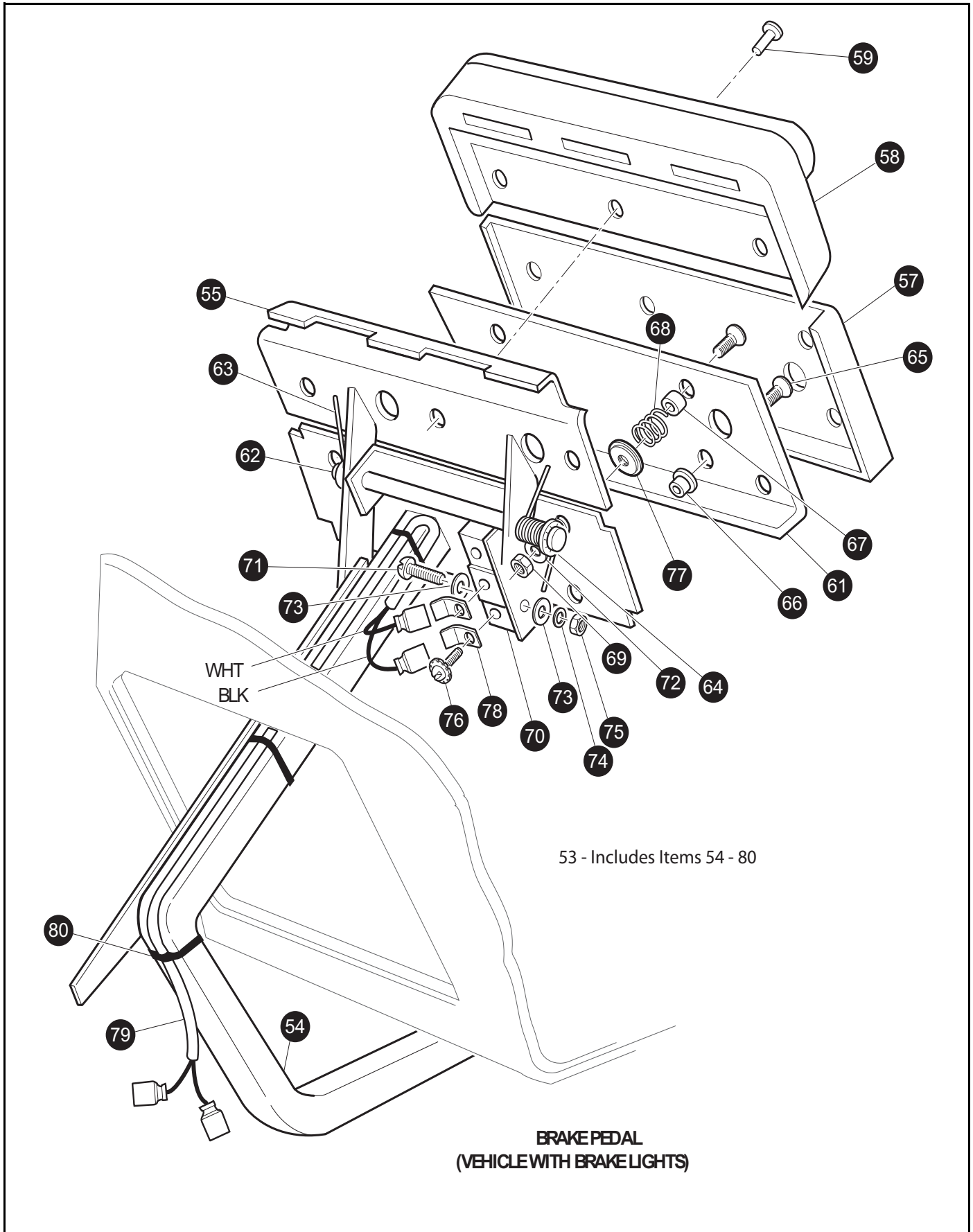
* Indicates a component that is not available as an individual part.

*** Indicates consult Customer Service Department for additional information.

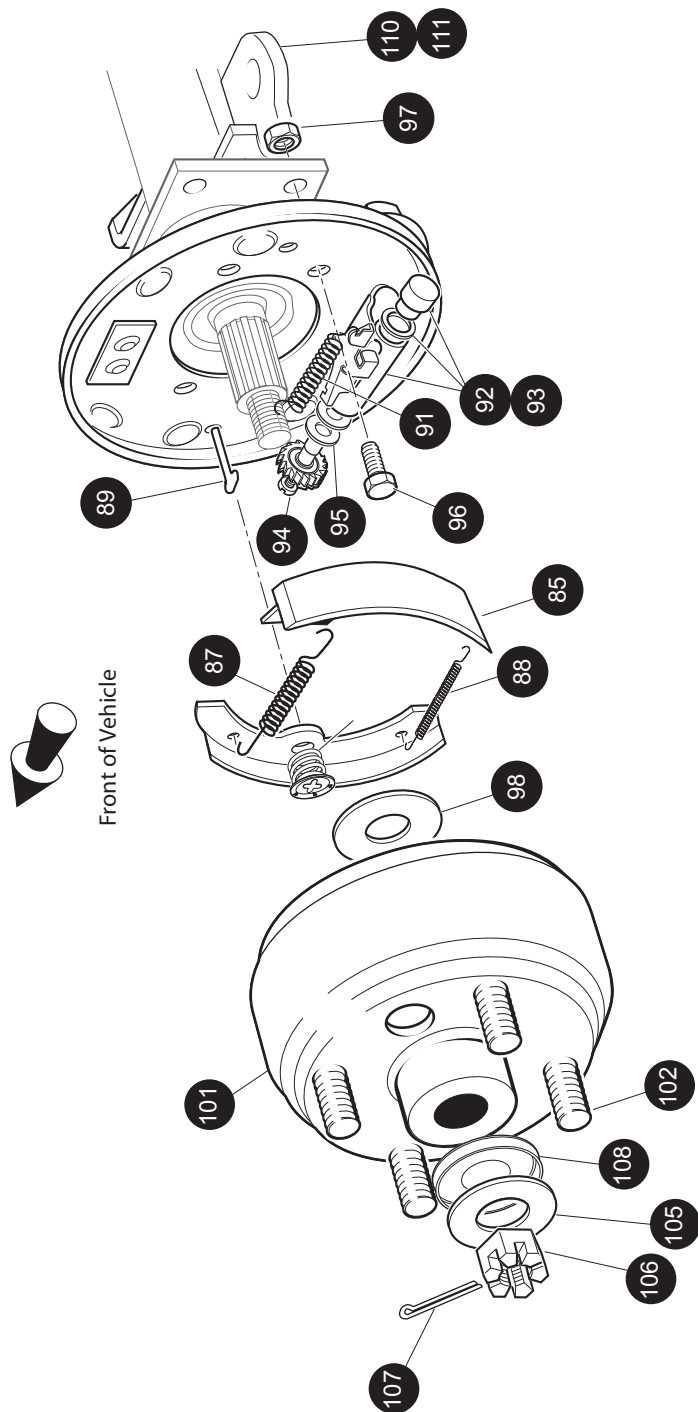
ITEM	PART NO.	1	2	3	4	5	DESCRIPTION	QTY.
125	75109G02						ASH TRAY KIT (INCLUDES ITEMS 126 - 129)	1
126	27731G01						ASH TRAY	1
127	27736G01						GASKET	1
128	75108G02						BRACKET	1
129	00100G4						SCREW, #10 - 16 X 1/2" LG	4
130	75109G01						ASH TRAY KIT (INCLUDES ITEMS 126 - 127, 129, 131)	1
131	75108G02						BRACKET (E-COAT)	1
132								
133	74533G01						GUN HOLDER (SWIVEL MOUNT) (NOT ILLUSTRATED)	1
134	70135G01						PEDAL PIVOT COVER	1

BRAKES





BRAKES



- 82 - Includes Items 84 - 92
- 83 - Includes Items 84 - 93
- 84 - Includes Items 85
- 86 - Includes Items 87 - 91
- 92 - Includes Items 94, 95
- 93 - Includes Items 94, 95
- 100 - Includes Items 101, 102

When ordering parts, please specify the model and serial number of the product.

* Indicates a component that is not available as an individual part.

*** Indicates consult Customer Service Department for additional information.

ITEM	PART NO.	1 2 3 4 5	DESCRIPTION	QTY.
1	70612G02		BRAKE PEDAL ASSEMBLY (WITHOUT BRAKE LIGHTS) (INCLUDES ITEMS 2 - 10)	1
2	70681G01		TORSION SPRING.....	2
3	70682G01		PIVOT PIN.....	1
4	01071G01		PUSHNUT, 5/16"	1
5	70259G02		BRAKE PEDAL.....	1
6	70611G02		PARK BRAKE PEDAL	1
7				
8	70257G01		SERVICE BRAKE PAD.....	1
9	70256G01		PARK BRAKE PEDAL PAD	1
10	16409G1		OVAL RIVET, 3/16" X 3/8" LG	9
11				
12	70582G01		SHOULDER BOLT, 3/8 - 16 X 4" LG.....	1
13	70581G01		FLANGED BUSHING.....	2
14	70676G01		TORSION SPRING	1
15	00643G1		WASHER, 3/8"	1
16	11098G5		LOCK NUT, 3/8 - 16	1
17				
18	12416G2		NYLON WEDGE LOCK CLAMP (NOT ILLUSTRATED).....	5
19				
20				
21				
22	624711		EQUALIZER AND BRAKE CABLE ASSEMBLY (INCLUDES ITEMS 23 - 28)	1
23	28082G01		EQUALIZER BRACKET	1
24	28083G01		BRAKE COMPENSATOR BUMPER	2
25	624690		BRAKE CABLE (DRIVER SIDE) (FOR ST CUSTOM, ST SPORT 2+2 & LTO GAS).....	1
26	624703		BRAKE CABLE (PASSENGER SIDE) (FOR ST CUSTOM, ST SPORT 2+2 & LTO GAS)	1
27	624697		BRAKE CABLE (DRIVER SIDE) (FOR HD GAS)	1
28	624698		BRAKE CABLE (PASSENGER SIDE) (FOR HD GAS).....	1

BRAKES

When ordering parts, please specify the model and serial number of the product.

* Indicates a component that is not available as an individual part.

*** Indicates consult Customer Service Department for additional information.

ITEM	PART NO.	1 2 3 4 5	DESCRIPTION	QTY.
29	01111G01		RETAINING RING, S.S.	4
30	10386G3		CLEVIS PIN, 5/16" X 1" LG	3
31	10387G3		COTTER PIN, 3/32" X 3/4" LG	3
32	14443G2		CLEVIS PIN, 5/16" X 3/4" LG	2
33				
34	70601G01		KICK-OFF LINK	1
35	17838G1		NYLON BUSHING	2
36	20835G1		TEFLON WASHER, 3/8"	2
37	00559G8		WASHER, 5/16"	2
38	10387G3		COTTER PIN, 3/32" X 3/4" LG	2
39	70098G01		KICK-OFF CAM PIVOT	1
40	10097G6		FLANGED BEARING	2
41	70587G01		KICK-OFF CAM	1
42	71215G01		SETSCREW, 1/4 - 20 X 1/2" LG	2
43	14134G4		SPACER	1
44				
45	70113G01		ADJUSTABLE BUMPER	1
46	11027G1		LOCK NUT, 5/16 - 18	1
47				
48	70080G02		CATCH BRACKET	1
49	00414G6		BOLT, 1/4 - 20 X 3/4" LG	2
50	14390G4		LOCK NUT, 1/4 - 20	2
51				
52				
53	70690G02		BRAKE PEDAL ASSEMBLY (WITH BRAKE LIGHTS) (INCLUDES ITEMS 54 - 80)	1
54	70686G02		BRAKE PEDAL	1
55	70611G02		PARK BRAKE PEDAL	1
56				
57	70257G01		SERVICE BRAKE PAD	1
58	70256G01		PARK BRAKE PAD	1
59	16409G1		OVAL RIVET, 3/16" x 3/8" LG	9

When ordering parts, please specify the model and serial number of the product.

* Indicates a component that is not available as an individual part.

*** Indicates consult Customer Service Department for additional information.

ITEM	PART NO.	1 2 3 4 5	DESCRIPTION	QTY.
60				
61	70258G03		BRAKE PEDAL PLATE	1
62	70682G01		PIVOT PIN.....	1
63	70681G01		TORSION SPRING.....	2
64	01071G01		PUSHNUT, 5/16"	1
65	00737G8		SCREW, #10 - 24 X 1" LG.....	4
66	00739G1		RUBBER NUT, #10 - 24	2
67	74535G01		BRAKE PEDAL STANDOFF.....	2
68	27137G01		CONICAL SPRING.....	2
69	14390G10		LOCK NUT, #10 - 24.....	2
70	10606G8		MICRO SWITCH	1
71	00645-G2		SCREW, #6 - 32 X 1 1/4" LG.....	2
72	00559G5		WASHER, #10	2
73	00559G3		WASHER, #6	4
74	00565G3		LOCK WASHER, #6	2
75	00525G5		NUT, #6 - 32	2
76	13514G1		SCREW AND LOCK WASHER, #6	2
77	00642-G8		WASHER - 5/16"	2
78	14628G1		FASTON TAB.....	2
79	24605G1		WIRE HARNESS (BRAKE LIGHT).....	1
80	17618G1		WIRE TIE.....	2
81				
82	70998G01		BRAKE ASSEMBLY (DRIVER SIDE) (INCLUDES ITEMS 84 - 92).....	1
83	70998G02		BRAKE ASSEMBLY (PASSENGER SIDE) (INCL. ITEMS 84 - 91, 93).....	1
84	70794G01		BRAKE SHOE KIT (INCLUDES ITEM 85)	2
85	*		BRAKE SHOE.....	2
86	27944G01		BRAKE SPRING KIT (INCLUDES ITEMS 87 - 91)	2
87	*		UPPER SPRING	1
88	*		LOWER SPRING	1
89	*		PIN	2
90	*		CUP AND SPRING	2

BRAKES

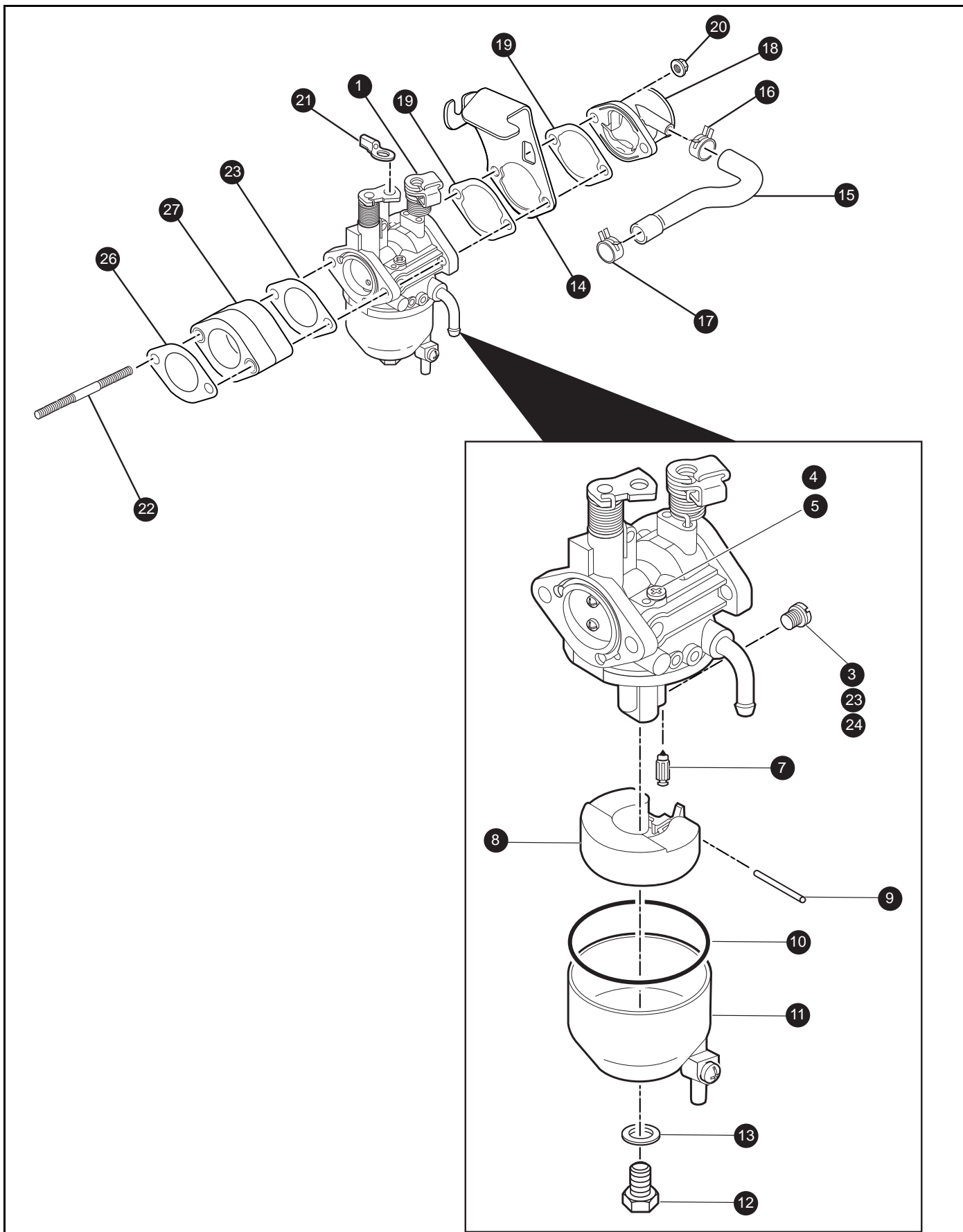
When ordering parts, please specify the model and serial number of the product.

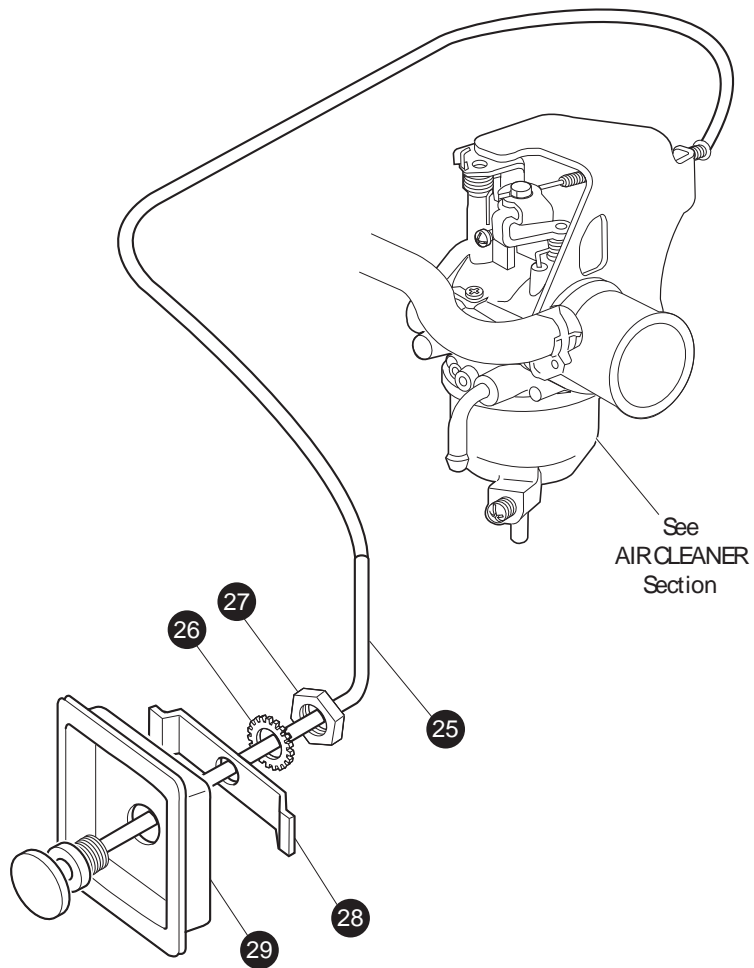
* Indicates a component that is not available as an individual part.

*** Indicates consult Customer Service Department for additional information.

ITEM	PART NO.	1	2	3	4	5	DESCRIPTION	QTY.
91	*						ADJUSTER SPRING	1
92	72582G01						BRAKE ADJUSTER KIT (DRIVER SIDE) (INCLUDES ITEMS 94, 95)	1
93	72582G02						BRAKE ADJUSTER KIT (PASSENGER SIDE) (INCL ITEMS 94, 95).....	1
94	*						ADJUSTER.....	1
95	*						TEFLON WASHER.....	2
96	17083G2						BOLT, 5/16 - 24 X 1" LG	8
97	15126G1						LOCK NUT, 5/16 - 24.....	8
98	21809G1						INNER BRAKE DRUM WASHER, 1 5/16" OD X 1" ID X 1/32"	2
99								
100	21807G2						BRAKE DRUM ASSEMBLY (INCLUDES ITEMS 101 - 102).....	2
101	*						BRAKE DRUM	1
102	19862G1						LUG BOLT, 1/2 - 20.....	4
103								
104	24939G2						SPINDLE CAP ADAPTER.....	2
105	606945						OUTER BRAKE DRUM WASHER	2
106	606403						SLOTTED NUT, 3/4 - 16.....	2
107	10387G1						COTTER PIN, 1/8" X 1 1/2" LG	2
108	607033						SPINDLE CAP	2
109								
110	608200						BRAKE CABLE BRACKET (PASSENGER SIDE).....	1
111	608201						BRAKE CABLE BRACKET (DRIVER SIDE)	1
112	612558						COMPENSATOR ASSEMBLY (INCLUDES ITEMS 113 - 121)	1
113	00532G4						HEX NUT	2
114	629486						HEX NUT, 5/16 - 24.....	1
115	15121G1						FLAT WASHER - 5/16.....	2
116	17979G1						ACCELERATOR ROD BUSHING	1
117	23061G2						TUBE.....	1
118	23463G1						COMPRESSION SPRING	1
119	27330G01						BRAKE YOKE	1
120	11098G9						HEX LOCK NUT, 5/16 - 24.....	1
121	612557						COMPENSATOR LINK ROD	1

CARBURETOR AND CHOKE





Ref Cac 2-2

CARBURETOR AND CHOKE

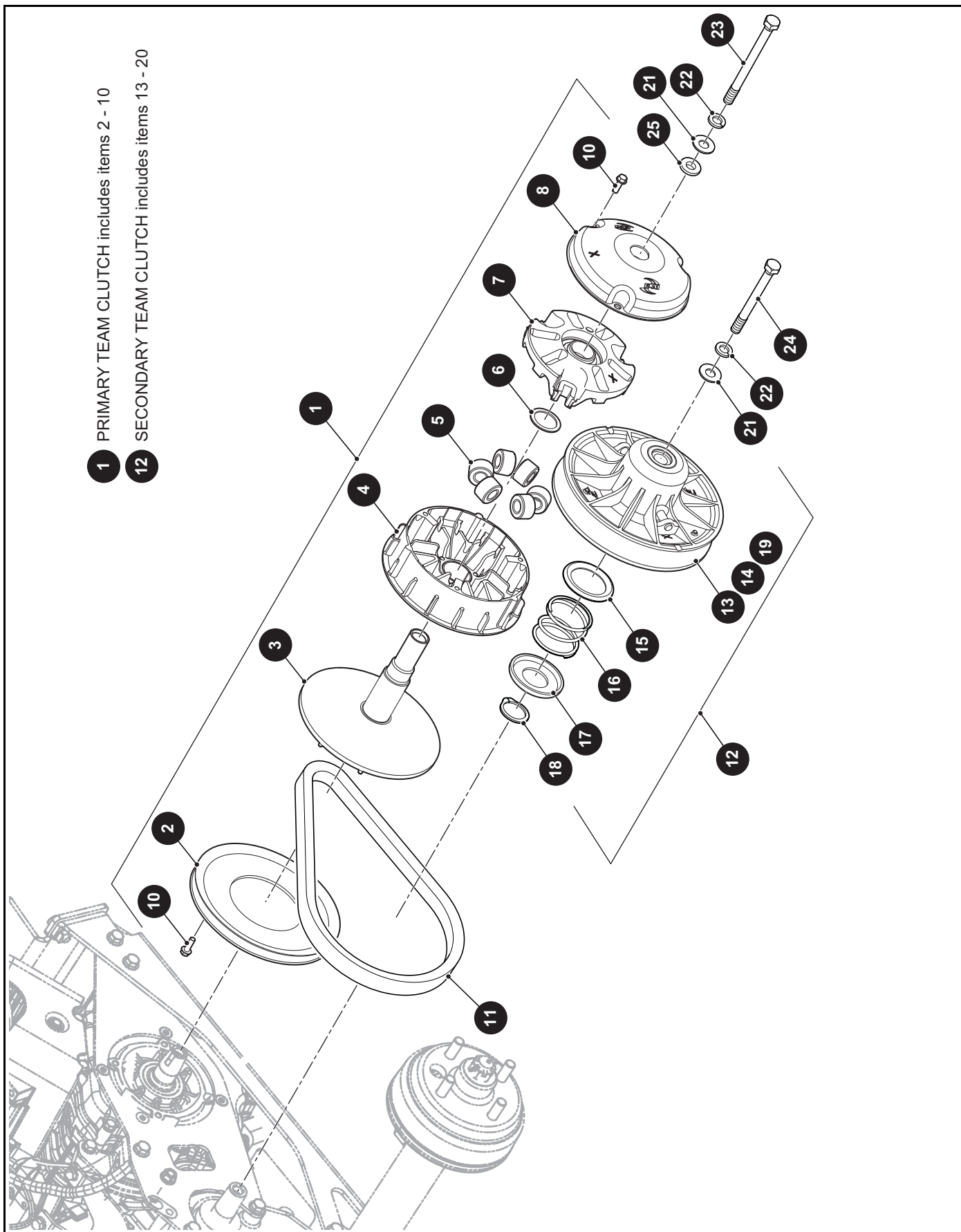
When ordering parts, please specify the model and serial number of the product.

* Indicates a component that is not available as an individual part.

*** Indicates consult Customer Service Department for additional information.

ITEM	PART NO.	1 2 3 4 5	DESCRIPTION	QTY.
1	607955		CARBURETOR (INCLUDES ITEMS 3 - 22).....	1
2				
3	607956		MAIN JET (#106)	1
4	607957		PILOT JET (#52)	1
5	603585		PLUG	1
6				
7	603586		NEEDLE VALVE.....	1
8	603587		FLOAT.....	1
9	603588		FLOAT PIN.....	1
10	603589		FLOAT BOWL GASKET.....	1
11	603590		FLOAT CHAMBER.....	1
12	603592		BOWL SCREW	1
13	603591		BOWL GASKET	1
14	603583		CHOKE BRACKET	1
15	603598		BREATHER TUBE	1
16	603596		CLAMP, INTAKE TUBE.....	1
17	603597		CLAMP CYLINDER HEAD TUBE	1
18	603594		INTAKE TUBE.....	1
19	603593		CHOKE GASKET.....	2
20	603595		NUT, M6 X 1.0.....	2
21	608023		THROTTLE ROD ATTACHMENT BUSHING.....	1
22	603584		STUD BOLT	2
23	607684		MAIN JET (#102) (FOR ELEVATIONS OF 6000 FT - 10000 FT).....	1
24	607983		MAIN JET (#104) (FOR ELEVATIONS OF 3000 FT - 6000 FT).....	1
25	605868		CHOKE CABLE (SWB)	1
26	00568G4		LOCK WASHER, 9/16"	1
27	00545G4		JAM NUT, 9/16 - 18	1
28	72155G01		RETAINER.....	1
29	72154G01		CHOKE CABLE ADAPTER	1

CLUTCH



When ordering parts, please specify the model and serial number of the product.

* Indicates a component that is not available as an individual part.

*** Indicates consult Customer Service Department for additional information.

ITEM	PART NO.	1 2 3 4 5	DESCRIPTION	QTY.
1	623948		PRIMARY TEAM CLUTCH (Includes items 2 - 10).....	1
2	619333		PRIMARY STARTER PULLY, 195 - SVC.....	1
3	619334		STATIONARY ASSEMBLY	1
4	619335		MOVEABLE PRIMARY ASSEMBLY	1
5	624112		SHIFT ROLLER ASSEMBLY.....	6
6	619337		SHIM, 39.5 X 31.75	1
7	619338		PRIMARY SPIDER ASSEMBLY	1
8	619339		PRIMARY DUST COVER ASSEMBLY.....	1
9				
10	619332		BOLT, 1/4 - 20 X.75	7
11	618630		DRIVE BELT	1
12	623949		SECONDARY TEAM CLUTCH (Includes items 13 - 20)	1
13	*		SECONDARY STATIONARY, 9.5.....	1
14	*		MOVEABLE SECONDARY, 9.5.....	1
15	619327		INNER RETAINER SPRING.....	1
16	624111		COMPRESSION SPRING, 2.70 OD.....	1
17	619329		OUTER SPRING RETAINER	1
18	619330		RETAINER RING.....	1
19	619331		THRUST WASHER, 1.530 x 1.830 x 1.....	1
20				
21	606239		CONICAL WASHER, M12	2
22	00566G3		SPRING TYPE LOCK WASHER	2
23	606245		HEX BOLT, M12 - 1.25 X 160	1
24	606243		HEX BOLT, M12 - 1.25 X 120	1
25	606230		CLUTCH WASHER.....	1

DIRECTION SELECTOR

When ordering parts, please specify the model and serial number of the product.

* Indicates a component that is not available as an individual part.

*** Indicates consult Customer Service Department for additional information.

ITEM	PART NO.	1 2 3 4 5	DESCRIPTION	QTY.
1	603416		DIRECTION SELECTOR ASSEMBLY (INCLUDES ITEMS 2 - 33)	1
2	606077		DIRECTION SELECTOR BRACKET.....	1
3	70233G01		DIRECTION SELECTOR SHAFT.....	1
4	603700		DIRECTION SELECTOR CAM.....	1
5	14390G01		LOCK NUT, 3/8 - 24.....	1
6	25664G2		BUSHING	1
7				
8	72724G01		NEUTRAL LOCK PIN	1
9	72733G01		COMPRESSION SPRING, 3/8" X 5/8" LG	1
10	72729G01		NEUTRAL LOCK LATCH.....	1
11	00734G2		LOCK NUT, 1/4 - 28.....	1
12	28574G01		EXTENSION SPRING	1
13	72732G01		BALL STUD, 1/4".....	1
14	00734G5		LOCK NUT, #10 - 32.....	1
15				
16				
17	72736G01		MICRO SWITCH	1
18	01062G01		SCREW, #4 - 40 X 1" LG.....	2
19	00559G1		WASHER, #4	2
20	00565G1		LOCK WASHER, #4 - 5/16.....	2
21	00526G2		HEXNUT, #4 - 40	2
22				
23				
24				
25				
26				
27				
28				
29	603615		PUSH/PULL CABLE.....	1
30	25727G01		CUP WASHER, 1/4"	4
31	72735G01		COMPRESSION SPRING, 19/32" X 1" LG	2

DIRECTION SELECTOR

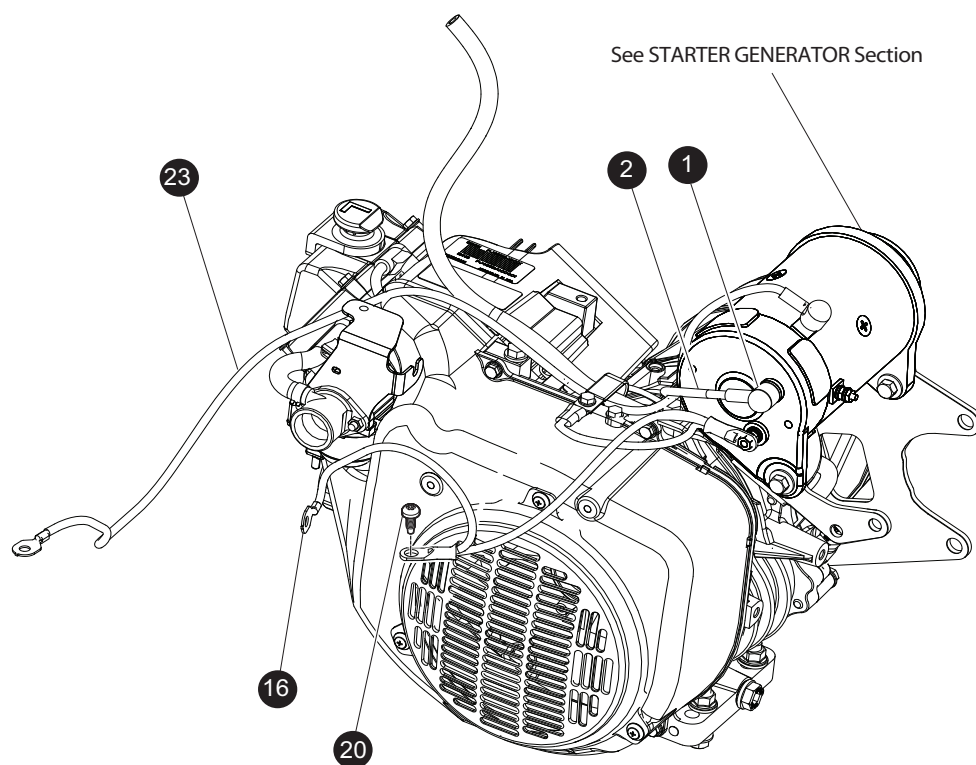
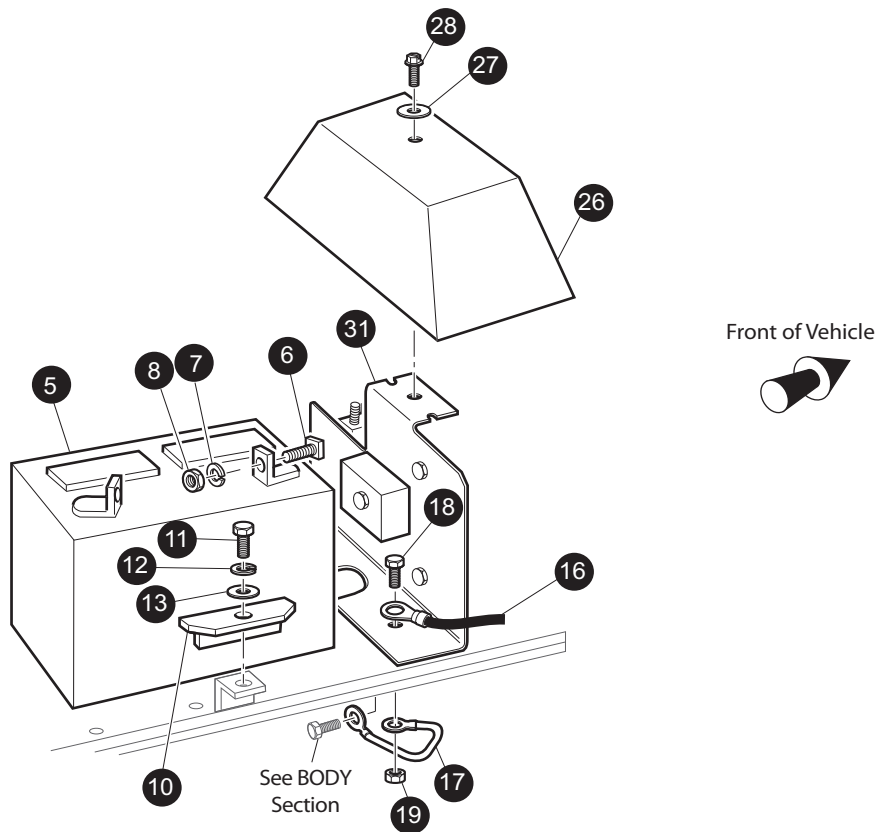
When ordering parts, please specify the model and serial number of the product.

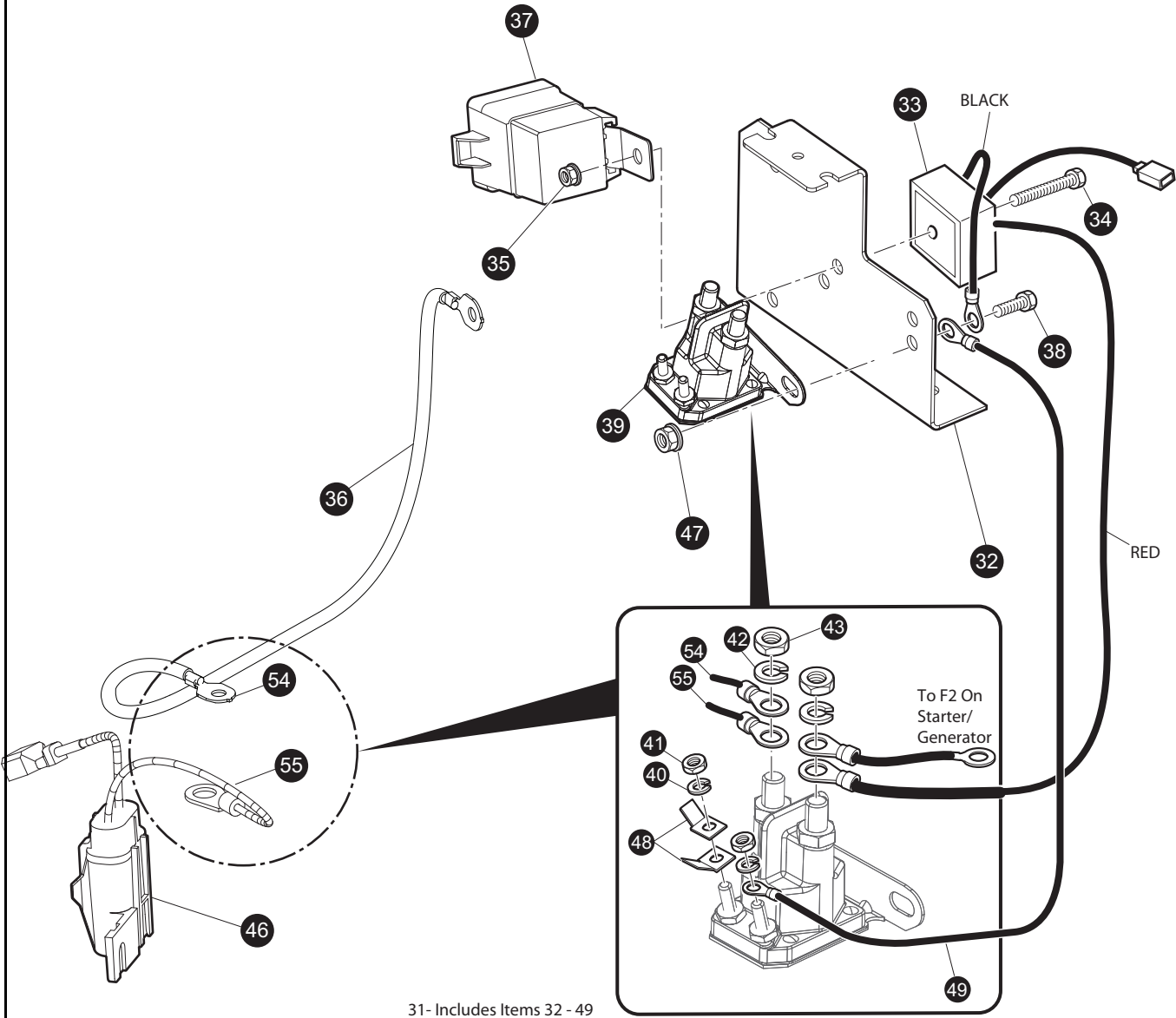
* Indicates a component that is not available as an individual part.

*** Indicates consult Customer Service Department for additional information.

ITEM	PART NO.	1	2	3	4	5	DESCRIPTION	QTY.
32	606014						PIVOT BRACKET WITH BUSHING.....	1
33	00734G5						LOCK NUT, #10 - 32	1
34	22754G4						BUSHING, FLIP LOK, .250	1
35								
36	70227G01						SCREW, 1/4 - 20 X 7/8" LG.....	2
37	11027G2						LOCK NUT, 1/4 - 20.....	2
38								
39								
40								
41								
42								
43	71205G01						DIRECTION SELECTOR HANDLE.....	1
44	00740G4						SCREW, #10 - 32 X 1/2" LG (STAINLESS STEEL)	1
45	606421						BOLT, M6 - 1 X 30	1
46	450452						NUT, M6 - 1.00 HSF	1
47	17618G1						WIRE TIE (NOT SHOWN).....	1
48	01072G01						CABLE CLIP.....	1
49	73290G03						REVERSE WARNING BUZZER.....	1
50	01063G01						SCREW, #6 - 32 X 3/8" LG.....	2
51	25978G345						18 GA WIRE (RED 7") (NOT SHOWN)	1

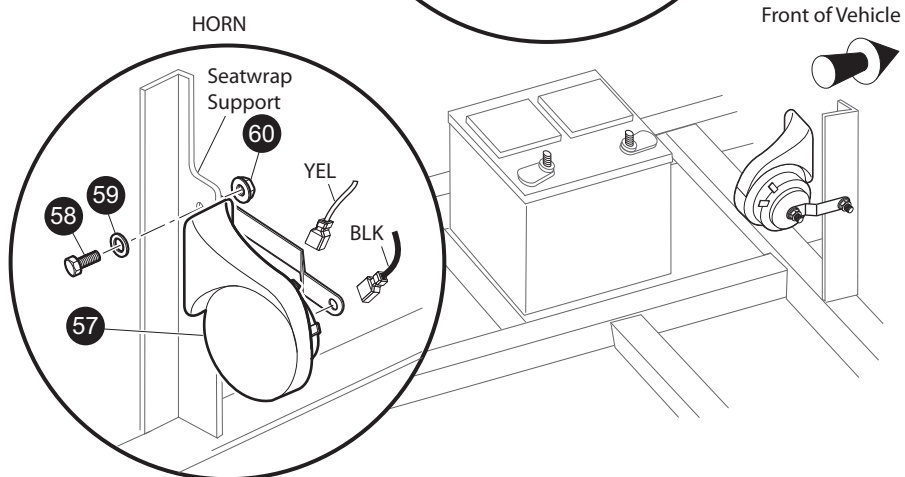
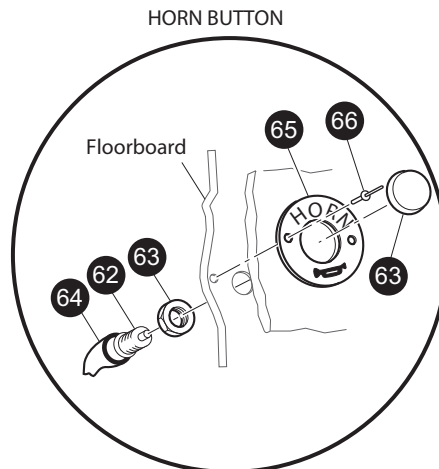
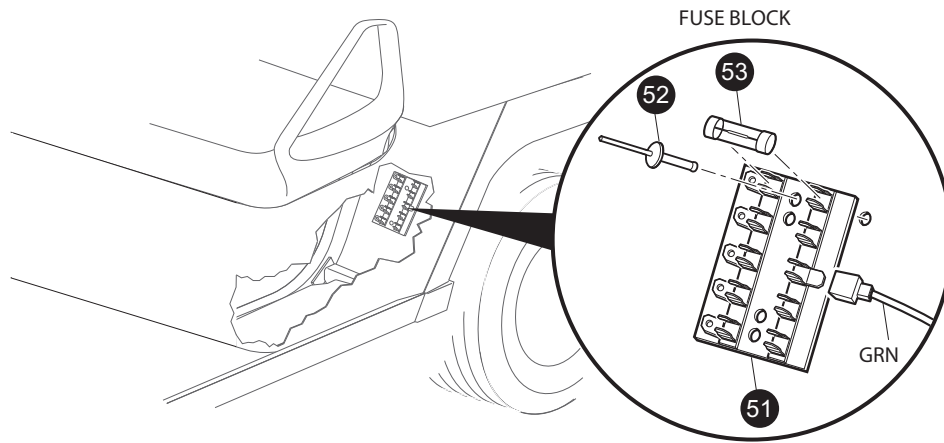
ELECTRICAL SYSTEM



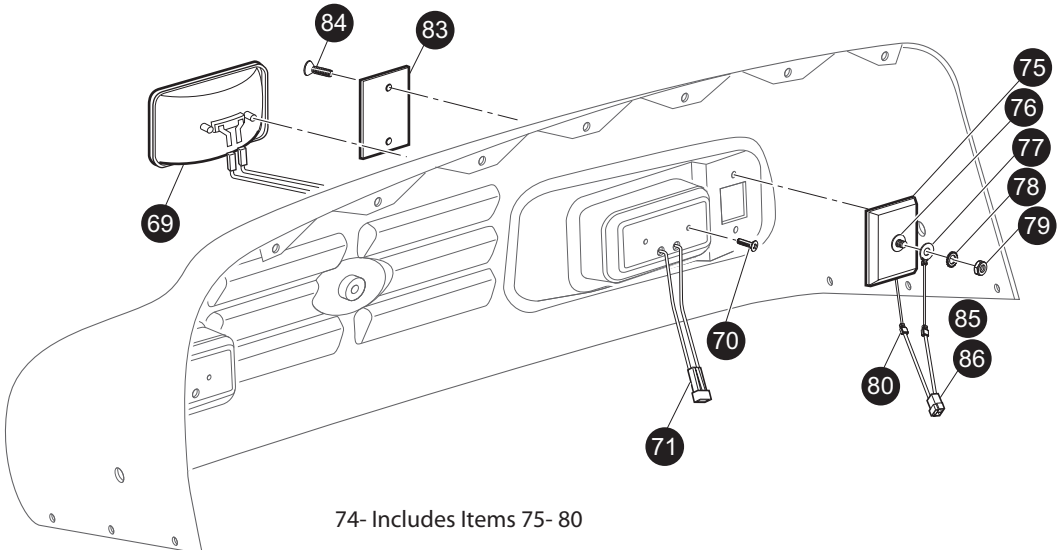


31 - Includes Items 32 - 49

Ref Ele 2-2

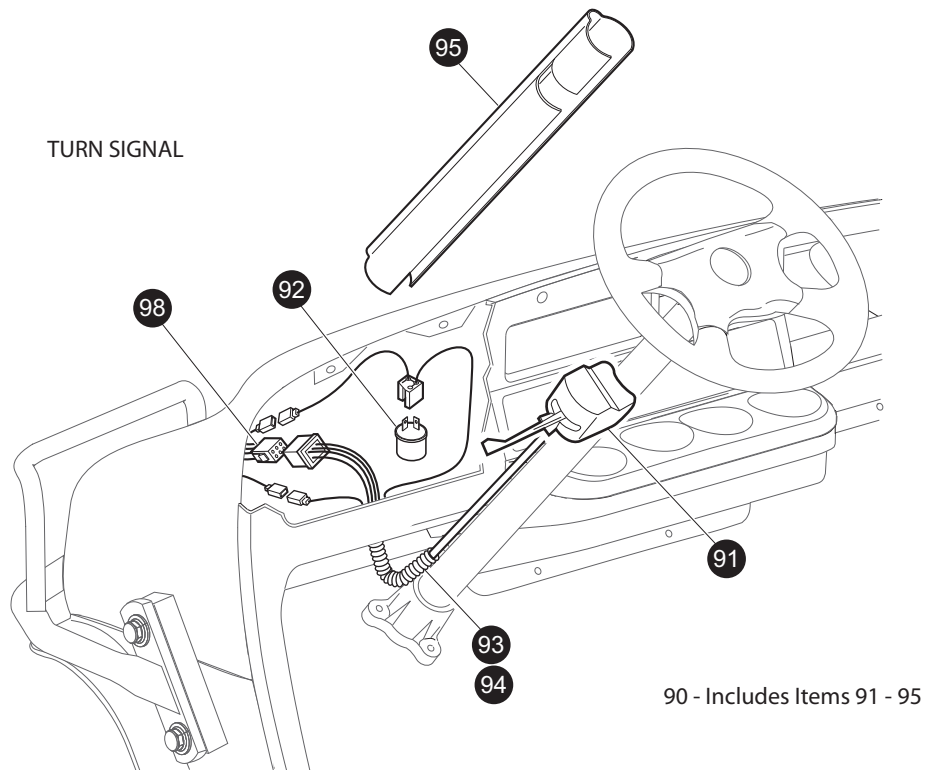
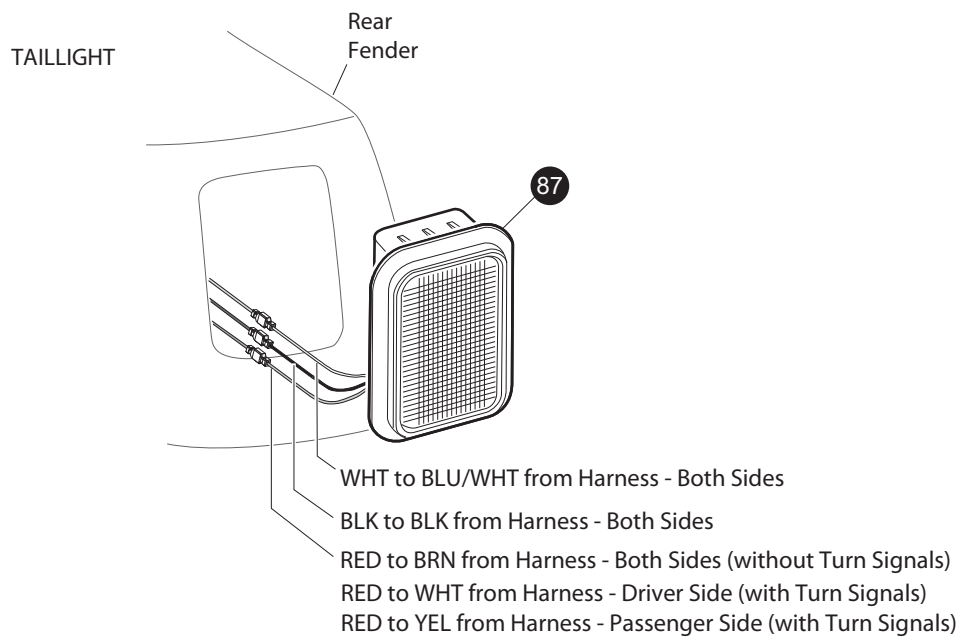


Ref Ele 11-3



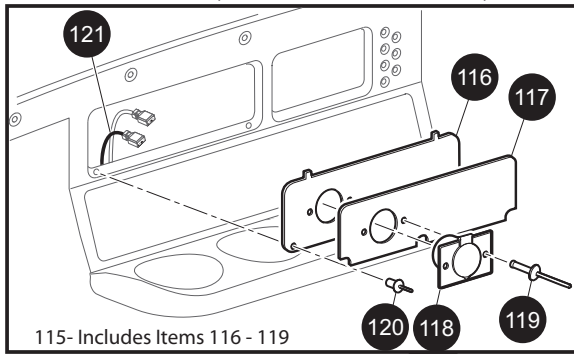
Ref Ele 11-4

ELECTRICAL SYSTEM



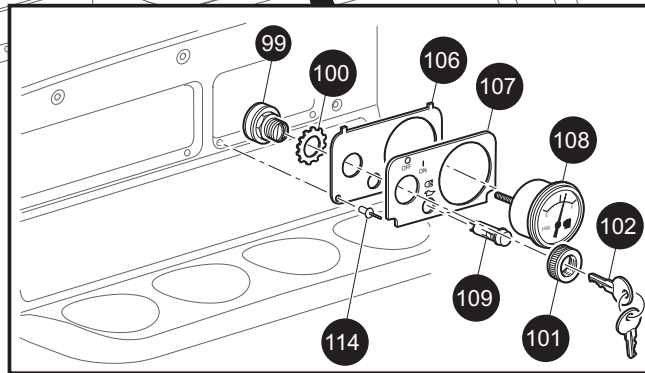
Ref Ele 11-5

CONSOLE INSERT PLATE (WITH POWER OUTLET SHOWN)



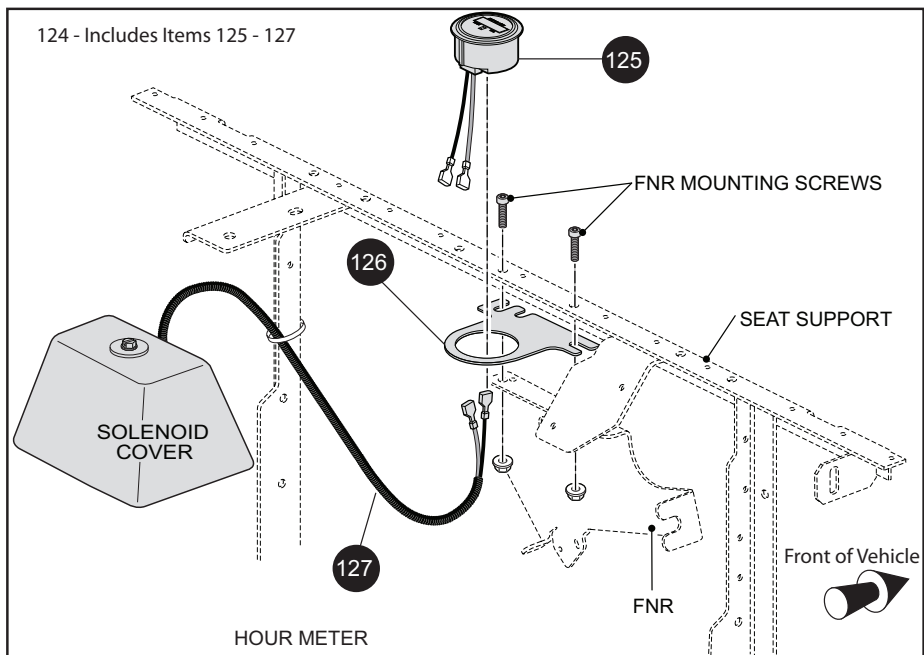
115 - Includes Items 116 - 119

Front of Vehicle



KEY SWITCH, INDICATOR LIGHT(S), AND FUEL GAUGE

124 - Includes Items 125 - 127



Ref Ele 11-6

ELECTRICAL SYSTEM

When ordering parts, please specify the model and serial number of the product.

* Indicates a component that is not available as an individual part.

*** Indicates consult Customer Service Department for additional information.

ITEM	PART NO.	1 2 3 4 5	DESCRIPTION	QTY.
1	607053		6 GA WIRE (BLACK 6", F1 - A2).....	1
2	25682G1		TERMINAL COVER.....	3
3				
4				
5	24775G*		BATTERY, 12V	1
6	*		BOLT, 5/16 - 18 X 1 1/4" LG.....	2
7	*		LOCK WASHER, 5/16" (SILICON BRONZE).....	2
8	*		NUT, 5/16 - 18 (SILICON BRONZE)	2
9				
10	72101G02		BATTERY HOLD DOWN	1
11	00438G6		BOLT, 5/16 - 18 X 3/4" LG	3
12	00565G8		LOCK WASHER, 5/16"	1
13	00571G2		WASHER, 5/16" (STAINLESS STEEL)	1
14				
15				
16	27044G03		GROUND CABLE.....	1
17	25976G19		14 GA WIRE (BLACK 6").....	1
18	00438G6		BOLT, 5/16 - 18 X 3/4" LG	2
19	11027G1		LOCK NUT, 5/16 - 18.....	2
20	26676G01		FLANGED BOLT	1
21				
22				
23	25972G85		6 GA WIRE (BLACK 23", F2 - SOL).....	1
24	605560		WIRE HARNESS (CONTROL).....	1
25	17618G1		WIRE TIE (NOT ILLUSTRATED)	AR
26	73049G01		COVER FNR	1
27	16469G1		WASHER, 1/4"	1
28	00114G6		SCREW, 1/4 - 14 X 3/4" LG.....	1
29				
30				
31	605563		ELECTRICAL PLATE ASSEMBLY (INCLUDES ITEMS 32 - 49)	1

ELECTRICAL SYSTEM

When ordering parts, please specify the model and serial number of the product.

* Indicates a component that is not available as an individual part.

*** Indicates consult Customer Service Department for additional information.

ITEM	PART NO.	1 2 3 4 5	DESCRIPTION	QTY.
32	73057G01		BRACKET.....	1
33	27739G01		VOLTAGE REGULATOR.....	1
34	00415G4		BOLT, 1/4 - 20 X 1 1/4" LG.....	1
35	11027G2		LOCK NUT, 1/4 - 20.....	1
36	25972G33		WIRE ASSEMBLY 6 GA.....	1
37	603282		RELAY.....	1
38	00661G08		BOLT, 1/4 - 20 X 1" LG.....	1
39	612813		SOLENOID.....	1
40	*		LOCK WASHER, #10.....	2
41	*		NUT, #10 - 32.....	2
42	*		LOCK WASHER, 5/16".....	2
43	*		NUT, 5/16 - 24.....	2
44				
45				
46	600418G01		FUSE HOLDER ASSEMBLY.....	1
47	11027G2		LOCK NUT, 1/4 - 20.....	1
48	73446G01		FASTON TAB, 90°.....	2
49	25978G56		18 GA WIRE (BLACK 5 3/4").....	1
50				
51	22674G1		FUSE BLOCK.....	1
52	01041G01		RIVET, 1/8" X 13/16" LG.....	2
53	18392G1		15 AMP FUSE.....	3
54	25972G33		#6 GA WIRE ASSEMBLY.....	1
55	20216G1		16 GA WIRE (RED).....	1
56				
57	32860G1		HORN.....	1
58	00414G5		BOLT, 1/4 - 20 x 5/8" LG.....	1
59	0111G01		WASHER, 1/4" (STAINLESS STEEL).....	1
60	14390G4		LOCK NUT, 1/4 - 20.....	1
61				
62	17318G1		HORN SWITCH.....	1

ELECTRICAL SYSTEM

When ordering parts, please specify the model and serial number of the product.

* Indicates a component that is not available as an individual part.

*** Indicates consult Customer Service Department for additional information.

ITEM	PART NO.	1 2 3 4 5	DESCRIPTION	QTY.
63	17318G2		HORN SWITCH CAP AND NUT	1
64	27068G01		HORN SWITCH BOOT.....	1
65	19233G1		HORN SWITCH LABEL.....	1
66	71055G01		RIVET, 3/16" X 1" LG (ALUMINUM)	2
67				
68				
69	22523G01		HEADLIGHT (INCLUDES ITEM 70).....	2
70	00906G6		SCREW, #10 - 16 X 1" LG	4
71	74337G01		JUMPER WIRE (HEADLIGHT)	2
72				
73				
74	20570G3		TURN SIGNAL LIGHT ASSEMBLY (INCLUDES ITEMS 75 - 80).....	2
75	20574G3		TURN SIGNAL LIGHT	1
76	00660G7		WASHER, 1/4" (STAINLESS STEEL).....	1
77	20606G1		WIRE ASSEMBLY.....	1
78	00567G7		LOCK WASHER, 1/4"	1
79	00532G1		NUT, 1/4 - 20.....	1
80	18995G1		PUSH-ON TERMINAL (MALE).....	1
81				
82				
83	20574G4		LENS, AMBER	1
84	00118G5		SCREW, #6 - 18 X 5/8" LG.....	4
85	74056G01		TURN SIGNAL JUMPER, RED/BLACK (PASSENGER SIDE)	1
86	74056G02		TURN SIGNAL JUMPER, GREEN/BLACK (DRIVER SIDE).....	1
87	32739G2		TAILLIGHT ASSEMBLY (COMPLETE)	2
88				
89				
90	606887		TURN SIGNAL KIT (INCLUDES ITEMS 91 - 95).....	1
91	17867G1		TURN SIGNAL (WITH MOUNTING HARDWARE) (INCLUDES ITEM 106)	1
92	21640G1		TURN SIGNAL FLASHER.....	1
93	32307G3		FLEX LOOM, 3/8 X 8" LG	1

ELECTRICAL SYSTEM

When ordering parts, please specify the model and serial number of the product.

* Indicates a component that is not available as an individual part.

*** Indicates consult Customer Service Department for additional information.

ITEM	PART NO.	1 2 3 4 5	DESCRIPTION	QTY.
94	17618G1		WIRE TIE.....	2
95	20965G3		STEERING COLUMN COVER.....	1
96				
97				
98	606045		WIRE HARNESS (ACCESSORY)	1
99	33639G01		IGNITION SWITCH (WITH LIGHTS, INDIVIDUALLY KEYED).....	1
100	00568G6		LOCK WASHER, 3/4"	1
101	17137G1		FACE NUT, 3/4 - 20.....	1
102	17063G1		IGNITION KEY	1
103	605639		WIRE HARNESS (KEY SWITCH).....	1
104				
105				
106	73030G04		PLATE (FUEL GAUGE AND OIL LIGHT)	1
107	71131G01		LABEL (OIL LIGHT AND FUEL GAUGE WITH HEADLIGHTS)	1
108	21553G1		FUEL GAUGE	1
109	23474G1		INDICATOR LIGHT	1
110	74311G01		HARNESS (OIL LIGHT/FUEL GAUGE).....	1
111	25978G122		18 GA WIRE (RED 6")	1
112				
113				
114	33623G02		DRIVE RIVET, 3/16" X 3/8" LG	2
115	74693G01		CONSOLE INSERT ASSEMBLY (INCLUDES ITEMS 116 - 119).....	1
116	73522G03		CONSOLE INSERT PLATE.....	1
117	35966G03		LABEL (CONSOLE INSERT PLATE)	1
118	71078G01		POWER OUTLET (12 VOLT)	1
119	14601G10		RIVET, 3/16" X 7/16" LG (ALUMINUM)	2
120	33623G02		DRIVE RIVET, 3/16" X 3/8" LG	3
121	71081G01		WIRE HARNESS (POWER OUTLET)	1
122				
123				
124	607285		HOUR METER KIT (INCLUDES ITEMS 125 - 127).....	1

ELECTRICAL SYSTEM

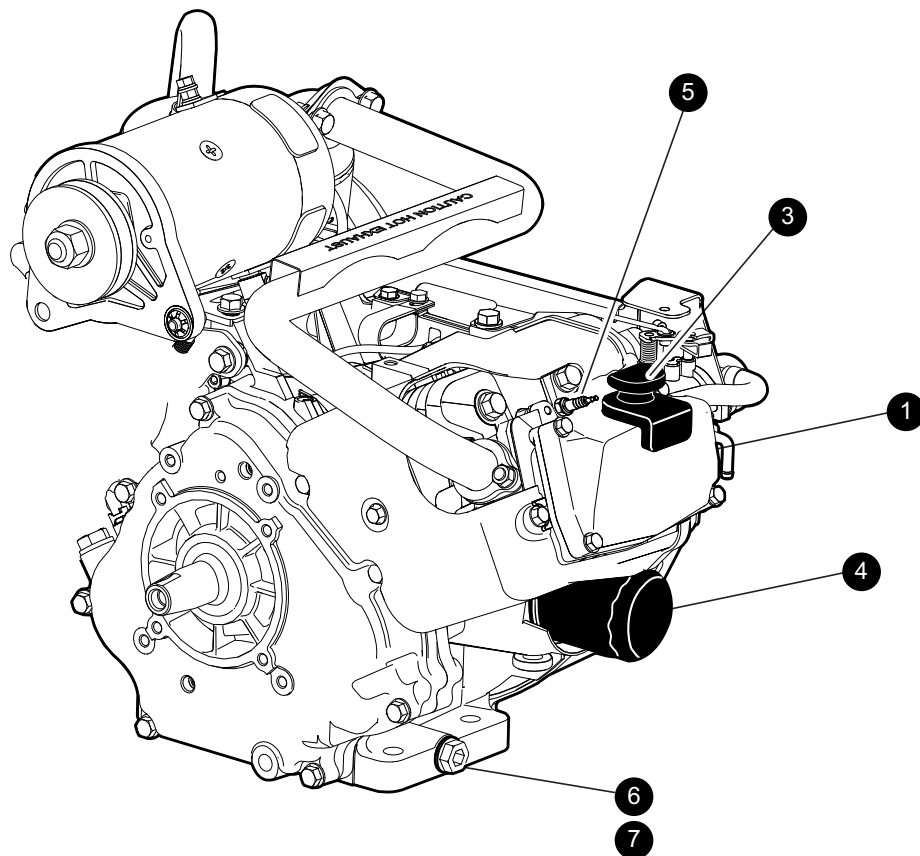
When ordering parts, please specify the model and serial number of the product.

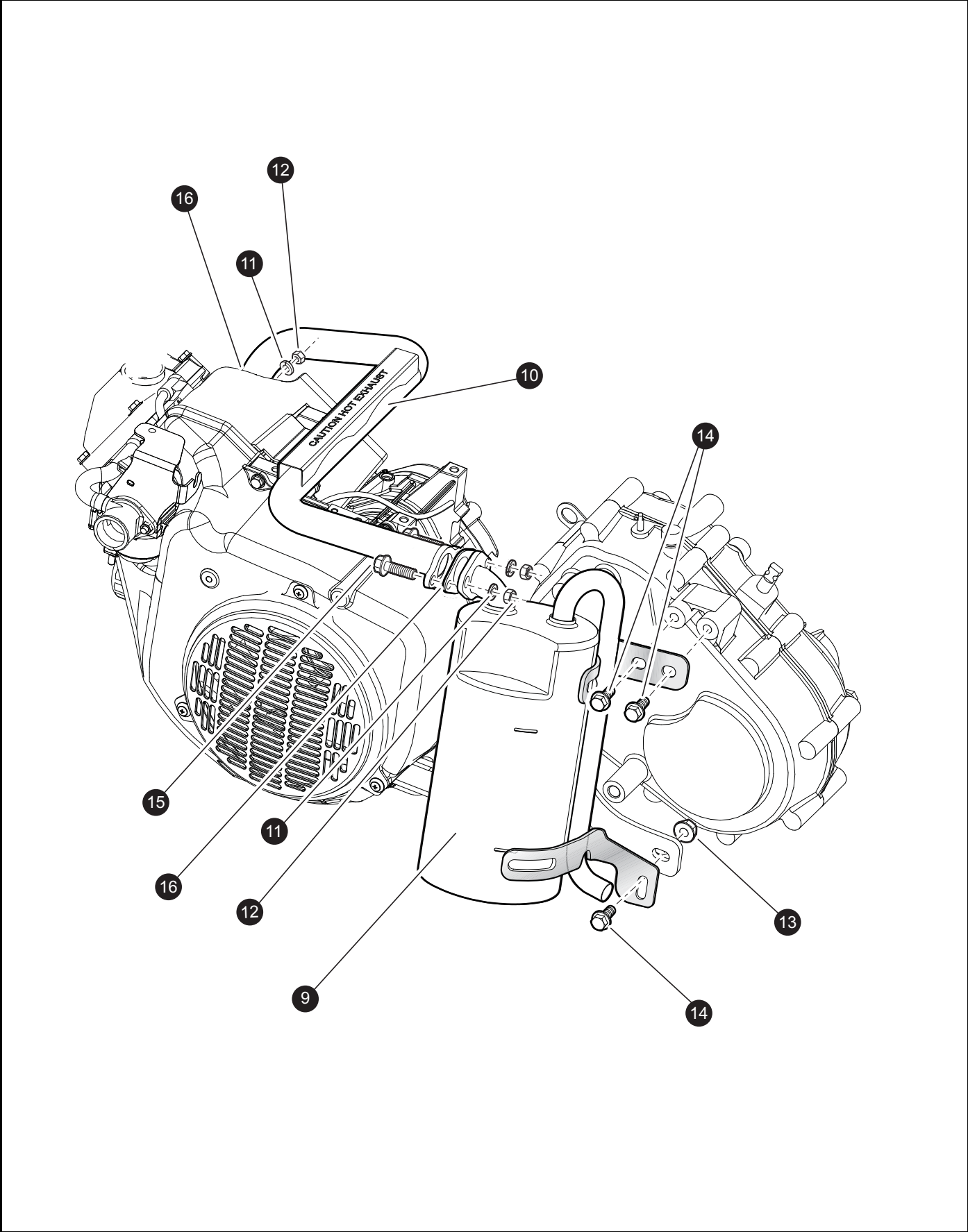
* Indicates a component that is not available as an individual part.

*** Indicates consult Customer Service Department for additional information.

ITEM	PART NO.	1	2	3	4	5	DESCRIPTION	QTY.
125	603720						HOUR METER.....	1
126	603721						HOUR METER BRACKET.....	1
127	606254						WIRE HARNESS (HOUR METER).....	1

ENGINE AND MUFFLER





ENGINE AND MUFFLER

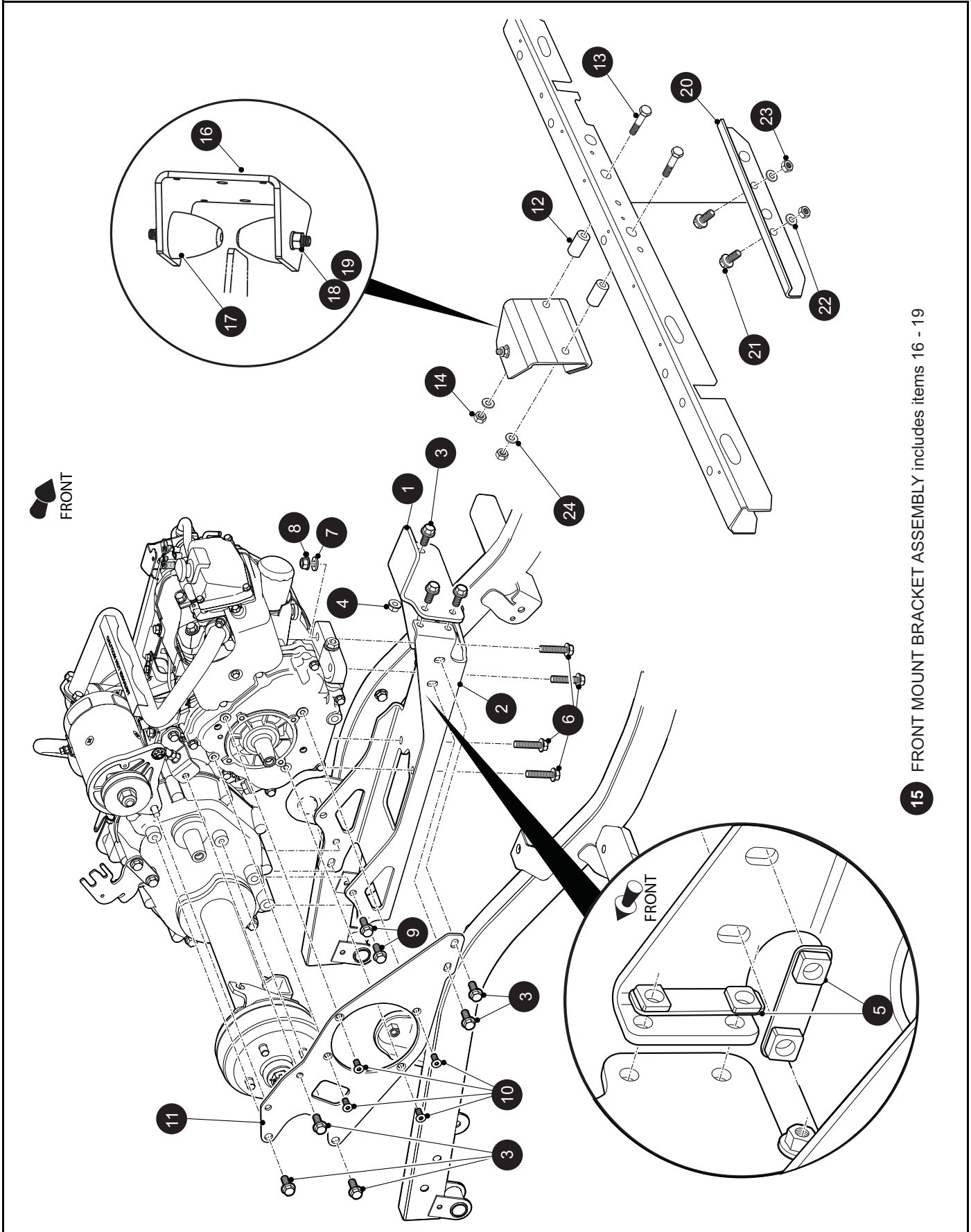
When ordering parts, please specify the model and serial number of the product.

* Indicates a component that is not available as an individual part.

*** Indicates consult Customer Service Department for additional information.

ITEM	PART NO.	1 2 3 4 5	DESCRIPTION	QTY.
1	607154		ENGINE, GAS, 13HP, NON-GOLF	1
2				
3	606391		DIP STICK	1
4	607454		OIL FILTER	1
5	607462		SPARK PLUG (BPR2ES)	1
6	603557		OIL DRAIN PLUG	1
7	603562		'O' RING, 16MM	1
8				
9	612266		MUFFLER	1
10	606982		EXHAUST PIPE	1
11	606272		WASHER, 8MM	4
12	606267		NUT, M8 X 1.25	4
13	606279		NUT, M10 - 1.25	1
14	606256		BOLT, M10 - 1.25 X 25	3
15	602330		BOLT, M8 - 1.25 X 30	2
16	603599		EXHAUST GASKET	2

ENGINE MOUNTING



15 FRONT MOUNT BRACKET ASSEMBLY includes items 16 - 19

ENGINE MOUNTING

When ordering parts, please specify the model and serial number of the product.

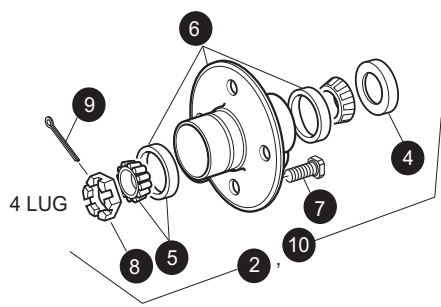
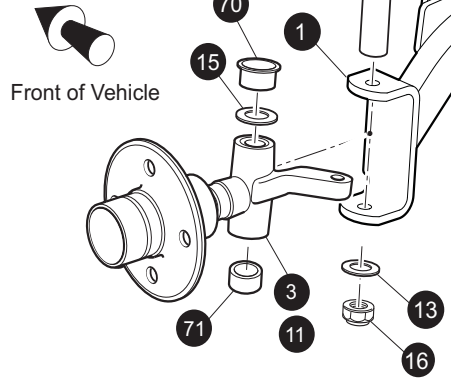
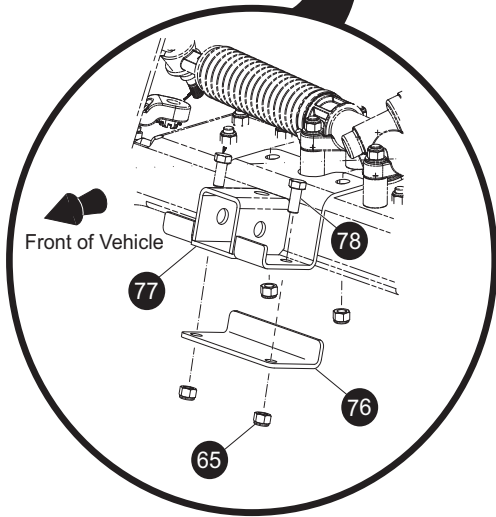
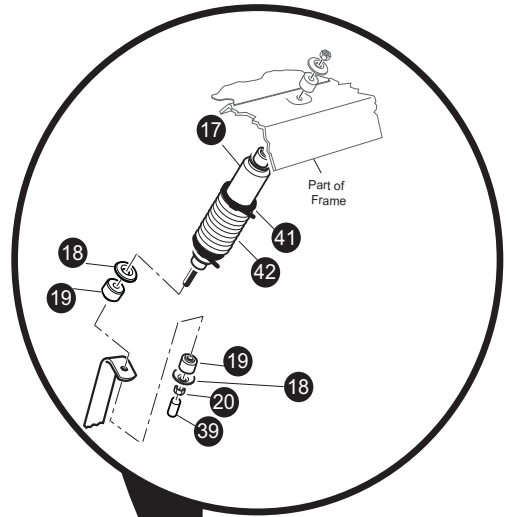
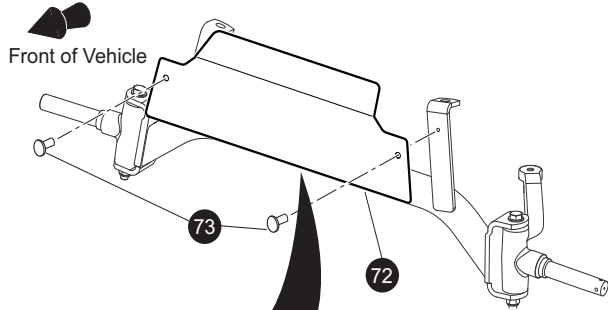
* Indicates a component that is not available as an individual part.

*** Indicates consult Customer Service Department for additional information.

ITEM	PART NO.	1 2 3 4 5	DESCRIPTION	QTY.
1	606007		FRONT ENGINE MOUNT	1
2	603101		ENGINE PAN MOUNT	1
3	606256		BOLT, M10 - 1.25 X 25	8
4	606279		NUT, M10 - 1.25	1
5	606096		NUT PLATE	2
6	606259		BOLT, M10 - 1.25 X 45	4
7	603823		FLAT WASHER, M10 X 22 - 2.5	4
8	606279		NUT, M10 - 1.25	4
9	608020		BOLT, M10 - 1.25 X 34	4
10	606246		FLAT HEAD SCREW, T40	4
11	602146		DIFFERENTIAL PLATE	1
12	72016G01		TUBE SPACER	2
13	00428G8		HEX HEAD 3/8 - 16, UNC X 2.75	2
14	11098G5		PLASTIC INSERT LOCK NUT 3/8 - 16	2
15	627627		FRONT MOUNT BRACKET ASSEMBLY (INCLUDES ITEMS 16 - 19)	1
16	625345		FRONT MOUNT BRACKET	1
17	605757		RUBBER BUMPER	2
18	00974G01		HEX - NUT	2
19	608654		SPLIT LOCK WASHER, 10MM	2
20	70269G02		CROSSMEMBER BRACE	1
21	00438G7		SCREW, CAP HEX HEAD 5/16 - 18 UNC	2
22	00559G8		FLAT WASHER, 5/16	2
23	01109G01		PLASTIC INSERT LOCK NUT	2
24	00643G1		FLAT WASHER	2

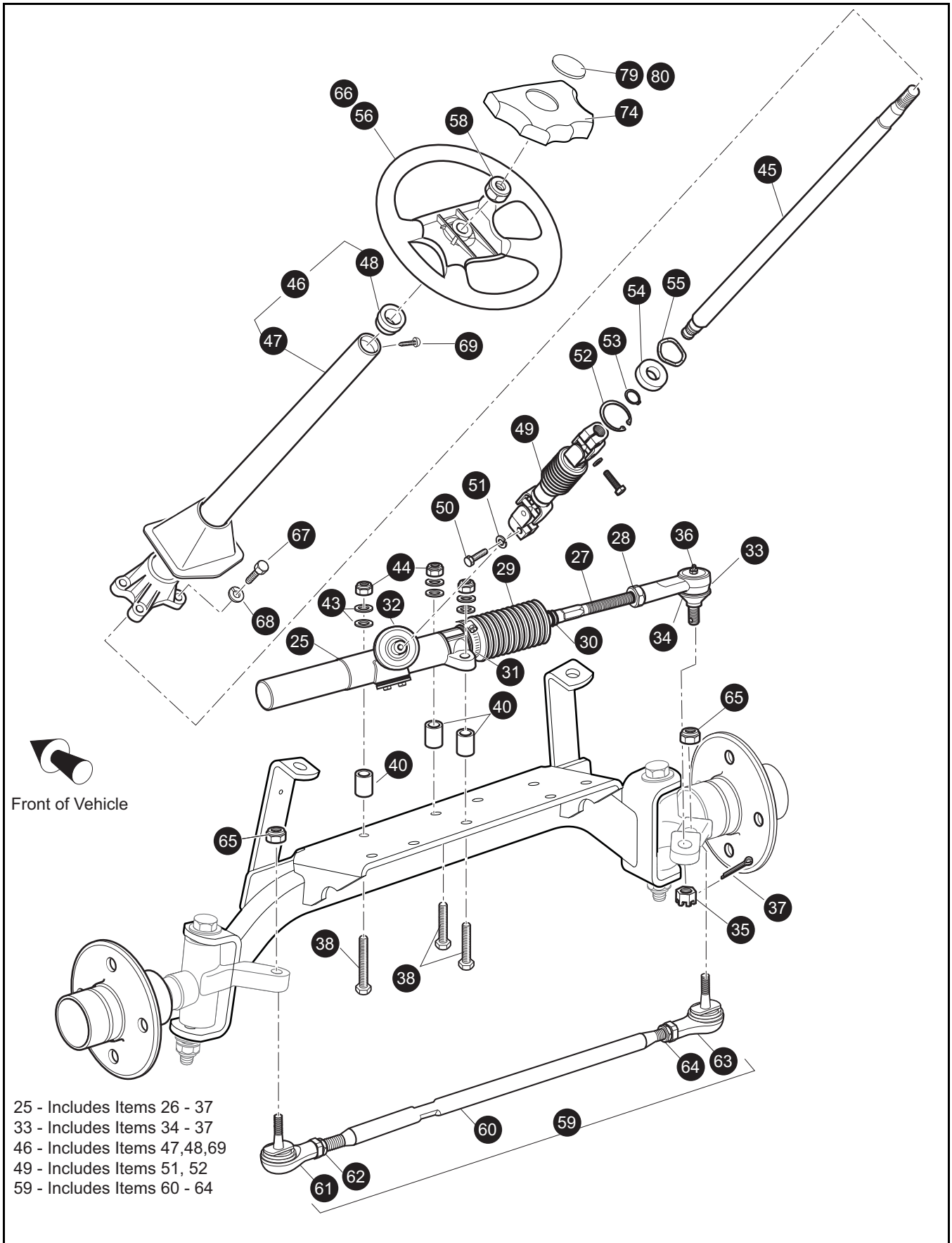
FRONT SUSPENSION/STEERING

- 2 - Includes Items 3 - 9
- 6 - Includes Item 7
- 10 - Includes Items 4 - 9, 11



*NOTE: Tie Rod Not Shown for Clarity

FRONT SUSPENSION/STEERING



FRONT SUSPENSION/STEERING

Where applicable, THE USE OF NON UL PARTS WILL VOID ANY UL LISTING.

When ordering parts, please specify the model and serial number of the product.

* Indicates a component that is not available as an individual part.

G** Indicates consult Customer Service Department for additional information.

ITEM	PART NO.	1 2 3 4 5	DESCRIPTION	QTY.
1	606989		FRONT AXLE	1
2	70930-G01		SPINDLE AND HUB ASSEMBLY, 4 LUG (PASSENGER SIDE) (INCLUDES ITEMS 3 - 9).....	1
3	70802-G01		SPINDLE ASSEMBLY (PASSENGER SIDE).....	1
4	25146-G1		GREASE SEAL.....	1
5	11750-G2		ROLLER BEARING AND RACE ASSEMBLY.....	2
6	35886-G01		WHEEL HUB ASSEMBLY WITH RACES, 4 LUG (INCLUDES ITEM 7)	1
7	19862-G1		LUG BOLT, 1/2 - 20 X 1 3/16" LG.....	4
8	12093-G1		CASTELLATED NUT, 1 - 14	1
9	00798-G8		COTTER PIN, 5/32" X 1 3/4" LG	1
10	70931-G01		SPINDLE AND HUB ASSEMBLY, 4 LUG (DRIVER SIDE) (INCLUDES ITEMS 4 - 9, 11).....	1
11	70803-G01		SPINDLE ASSEMBLY (DRIVER SIDE).....	1
12	00407-G6		BOLT, 1/2 - 13 X 6" LG	2
13	00560-G3		WASHER, 1/2"	4
14	70745-G01		KING PIN TUBE	2
15	70754-G01		THRUST WASHER, 1" (STAINLESS STEEL).....	2
16	14390-G6		LOCK NUT, 1/2 - 13	2
17	76419-G01		SHOCK ABSORBER.....	2
18	10435-G1		SHOCK ABSORBER WASHER.....	8
19	10194-G1		RUBBER BUSHING	8
20	00532-G6		NUT, 3/8 - 24	4
21	70664-G03		LEAF SPRING (HEAVY DUTY)	2
22	70163-G03		SPRING PLATE	4
23	00734-G1		LOCK NUT, 7/16 - 14	12
24	00463-G11		BOLT, 7/16 - 14 X 1 3/4" LG	12
25	70964-G01		RACK AND PINION UNIT (COMPLETE) (INCLUDES ITEMS 26 - 37)	1
26	*		STEERING BOX INSTALLATION TAG.....	1
27	70694-G01		RACK EXTENSION	1
28	*		JAM NUT, 1/2 - 20.....	1
29	70961-G01		RACK BOOT.....	1

FRONT SUSPENSION/STEERING

Where applicable, THE USE OF NON UL PARTS WILL VOID ANY UL LISTING.

When ordering parts, please specify the model and serial number of the product.

* Indicates a component that is not available as an individual part.

G** Indicates consult Customer Service Department for additional information.

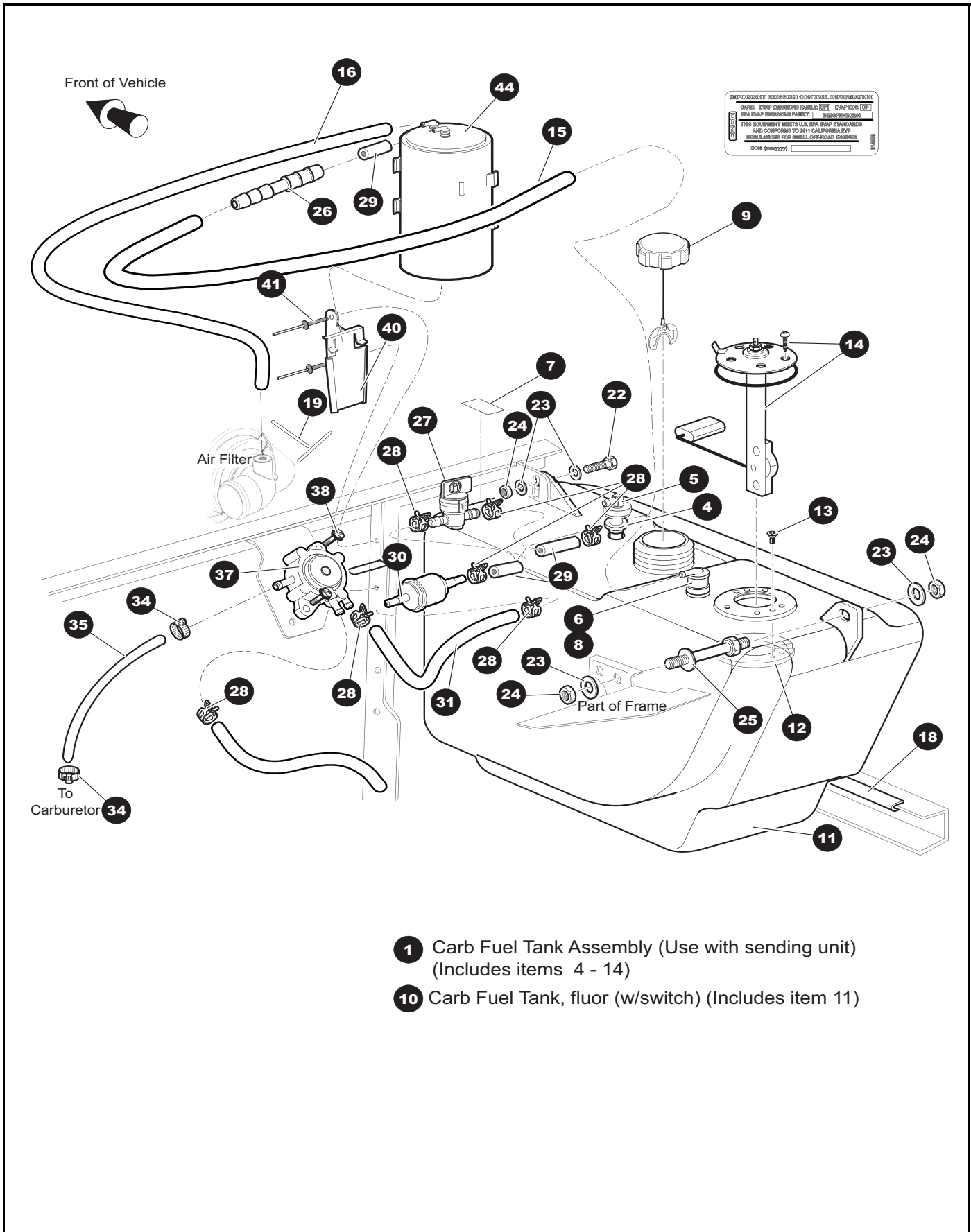
ITEM	PART NO.	1 2 3 4 5	DESCRIPTION	QTY.
30	12416-G2		WIRE TIE	1
31	11391-G8		CLAMP, 1 13/16 - 2 3/8"	1
32	70638-G01		PINION SEAL	1
33	70695-G01		RACK BALL JOINT (INCLUDES ITEMS 34 -37)	1
34	50641-G1		RUBBER BOOT	1
35	50209-G2		CASTELLATED NUT, 7/16 - 20	1
36	10387-G2		GREASE FITTING, STRAIGHT	1
37	10389-G3		COTTER PIN, 3/32" X 1" LG	1
38	00464-G6		BOLT, 7/16 - 14 X 2 3/4" LG	3
39	10044G01		VINYL CAP	2
40	70667-G02		SPACER	3
41	31539G1		NYLON CLAMP	4
42	70509G01		SHOCK ABSORBER BOOT	2
43	00560-G2		FLAT WASHER, 7/16"	6
44	00734-G1		LOCK NUT, 7/16 - 14	3
45	70607-G01		STEERING SHAFT	1
46	70758-G05		STEERING COLUMN KIT (INCLUDES ITEMS 47,48 & 69)	1
47	70610-G03		STEERING COLUMN	1
48	28569-G01		STEERING COLUMN BUSHING	1
49	70580-G01		INTERMEDIATE SHAFT (INCLUDES ITEMS 50, 51)	1
50	01055-G01		BOLT, M8 X 1.25 - 05	1
51	00565-G8		LOCK WASHER, 5/16"	1
52	70751-G01		RETAINING RING (INTERNAL)	1
53	70888-G01		RETAINING RING (EXTERNAL)	1
54	15112-G1		BALL BEARING	1
55	70887-G01		WAVE WASHER	1
56	602980		STEERING WHEEL PREMIUM (OPTIONAL)	1
57				
58	14390-G2		LOCK NUT, 5/8 - 18	1
59	70876-G02		TIE ROD ASSEMBLY (INCLUDES ITEMS 60 - 64)	1

FRONT SUSPENSION/STEERING

Where applicable, THE USE OF NON UL PARTS WILL VOID ANY UL LISTING.
 When ordering parts, please specify the model and serial number of the product.
 * Indicates a component that is not available as an individual part.
 G** Indicates consult Customer Service Department for additional information.

ITEM	PART NO.	1 2 3 4 5	DESCRIPTION	QTY.
60	70897-G02		THREADED ROD (24" LG).....	1
61	70902-G01		TIE ROD END (LEFT HAND THREADS)	1
62	01069-G01		JAM NUT, M12 X 1.25 - 05 (LEFT HAND THREADS).....	1
63	70902-G02		TIE ROD END (RIGHT HAND THREADS).....	1
64	01069-G02		JAM NUT, M12 X 1.25 - 05 (RIGHT HAND THREADS)	1
65	00734-G1		LOCK NUT, 7/16 - 14	2
66	602979		STEERING WHEEL	1
67	01006-G01		BOLT, 3/8 - 16 x 1 1/4" LG.....	4
68	00879 -G1		LOCK WASHER, 3/8".....	4
69	01022-G01		SCREW #6 - 20 x 5/16" LG	1
70	70648-G01		FLANGED BEARING	1
71	70749-G01		BEARING	1
72	605642		STEERING RACK COVER	1
73	15058-G1		RIVET	2
74	71147-G01		STEERING WHEEL COVER	1
75	70990-G03		FRONT LEAF SPRING	2
76	604572		WINCH RECEIVER RETAINER PLATE.....	4
77	604559		WELDMENT, WINCH RECEIVER.....	3
78	00462-G8		HEX HEAD SCREW, 7/16 - 14.....	4
79	617802		STEERING WHEEL DECAL (BAD BOY BUGGIES)	1
80	605435		STEERING WHEEL DECAL (E-Z-GO)	1

FUEL SYSTEM



- 1 Carb Fuel Tank Assembly (Use with sending unit) (Includes items 4 - 14)
- 10 Carb Fuel Tank, fluor (w/switch) (Includes item 11)

FUEL SYSTEM

When ordering parts, please specify the model and serial number of the product.

* Indicates a component that is not available as an individual part.

*** Indicates consult Customer Service Department for additional information.

ITEM	PART NO.	1 2 3 4 5	DESCRIPTION	QTY.
1	620181		CARB FUEL TANK ASSEMBLY (Use with sending unit) (Includes items 4 - 14)	1
2				
3				
4	70988G01		SIPHON TUBE GROMMET	1
5	18287G3		SIPHON TUBE ASSEMBLY	1
6	606068		ROLLOVER VALVE GROMMET	1
7	617886		EPA FUEL TANK LABEL	1
8	606067		ROLLOVER VALVE	1
9	617885		FUEL TANK CAP (RATCHET).....	1
10	607479		CARB FUEL TANK, FLUOR (W/SWITCH) (Includes item 11).....	1
11	618669		FUEL TANK, W/ SENDER UNIT	1
12	72229G01		FUEL TANK ADAPTER	1
13	72230G01		FLAT HEAD MACHINE SCREW	2
14	20048G2		FUEL LEVEL SENDER	1
15	607546		LOW PRESSURE FUEL HOSE, 3/16 I.D. X 3/8 O.D. X 17.00 LONG (CARB)	1
16	606966		LOW PRESSURE FUEL HOSE, 3/16 I.D. X 3/8 O.D. X 34.00 LONG (CARB)	1
17				
18	32372G6		BLACK TRIM, 6.25 LONG	1
19	17618G1		NYLON CLAMP	2
20				
21				
22	00438G8		HEX HEAD BOLT, 5/16 - 18 X 1	1
23	00559G8		FLAT WASHER, 5/16	4
24	11098G6		LOCK NUT, 5/16 - 18	3
25	70483G01		SPACER BOLT, 5/16 - 18.....	1
26	615346		HOSE REDUCER-ID 1/4 X 3/16	1
27	611181		FUEL SHUT-OFF VALVE	1
28	18292G1		HOSE CLAMP,.50 DIAMETER	7
29	615350		FUEL SYSTEM HOSE 2.00"	3
30	72084G01		FUEL LINE FILTER.....	1
31	606969		FUEL SYSTEM HOSE,.25 I.D. X.50 O.D. X 8.00 LONG	1

FUEL SYSTEM

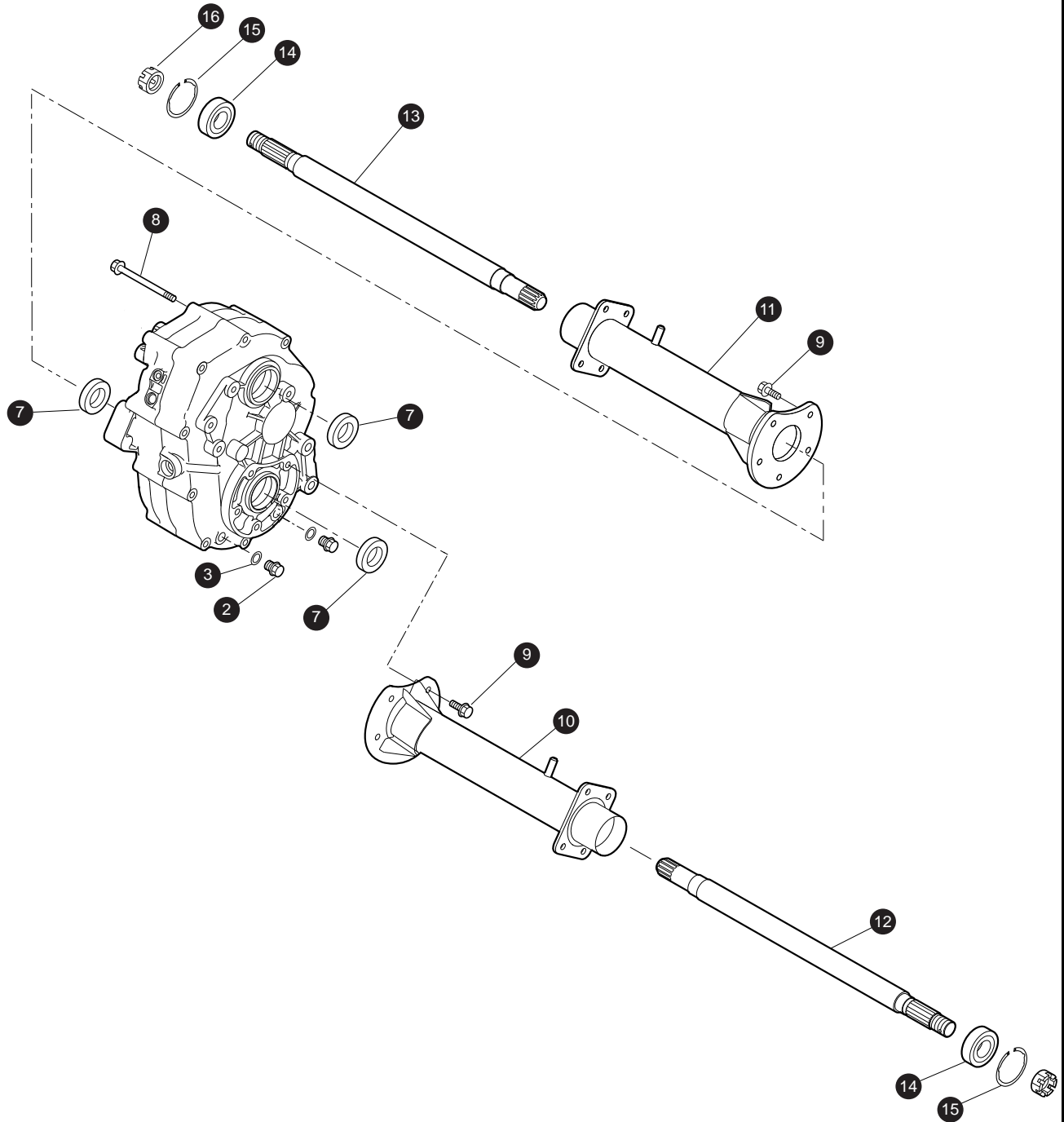
When ordering parts, please specify the model and serial number of the product.

* Indicates a component that is not available as an individual part.

*** Indicates consult Customer Service Department for additional information.

ITEM	PART NO.	1	2	3	4	5	DESCRIPTION	QTY.
32								
33								
34	11391G4						HOSE CLAMP, .25 - .63 DIA	2
35	604597						CARB FUEL SYSTEM HOSE,.25 I.D. X.50 O.D. X 26.00 LONG	1
36								
37	602061						FUEL PUMP	1
38	00114G6						HEX WASHER HEAD SLOTTED TAPPING SCREW, 1/4 - 14 X .75.....	2
39								
40	606310						CARBON CANISTER MOUNTING BRACKET (CARB ONLY).....	1
41	10570G11						RIVET, 3/16 DIA X .70 (CARB ONLY)	2
42								
43								
44	606071						CARBON CANISTER (CARB ONLY)	1

REAR AXLE



REAR AXLE

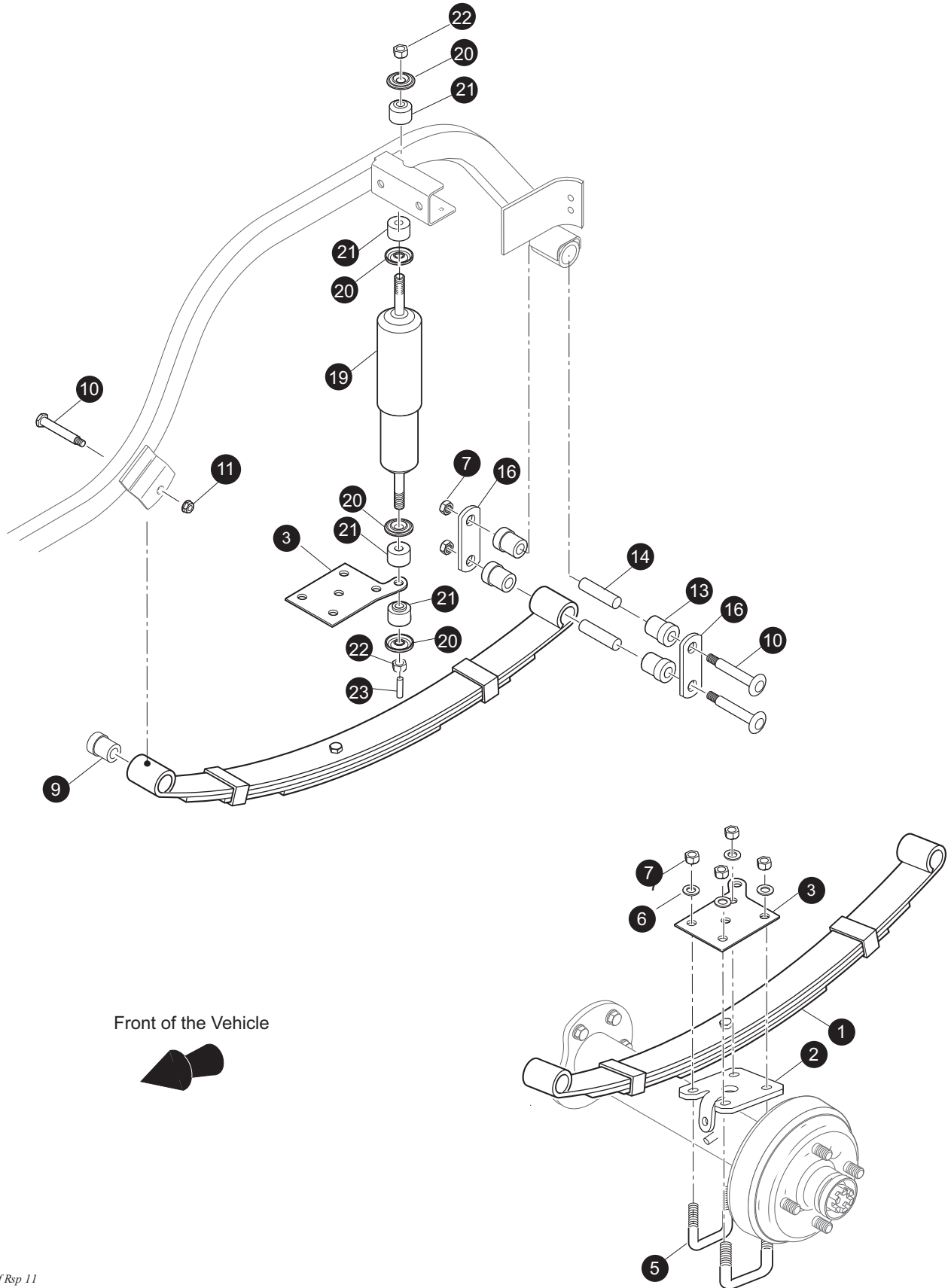
When ordering parts, please specify the model and serial number of the product.

* Indicates a component that is not available as an individual part.

*** Indicates consult Customer Service Department for additional information.

ITEM	PART NO.	1 2 3 4 5	DESCRIPTION	QTY.
1	605891		REAR AXLE	1
2	26770G01		OIL DRAIN PLUG	2
3	26771G01		GASKET	2
4				
5				
6				
7	72259G01		OIL SEAL 28 X 47 X 9	3
8	26823G01		FLANGE BOLT M8 X 1.25 X 100	10
9	72260G01		FLANGE BOLT M10 X 1.5 X 23	10
10	607940		AXLE TUBE (PASSENGER SIDE)	1
11	607939		AXLE TUBE (DRIVER SIDE)	1
12	607988		AXLE SHAFT (PASSENGER SIDE)	1
13	607987		AXLE SHAFT (DRIVER SIDE)	1
14	26811G01		BALL BEARING	2
15	26814G01		SNAP RING	2
16	606403		SLOTTED NUT	2

REAR SUSPENSION



Ref Rsp 11

REAR SUSPENSION

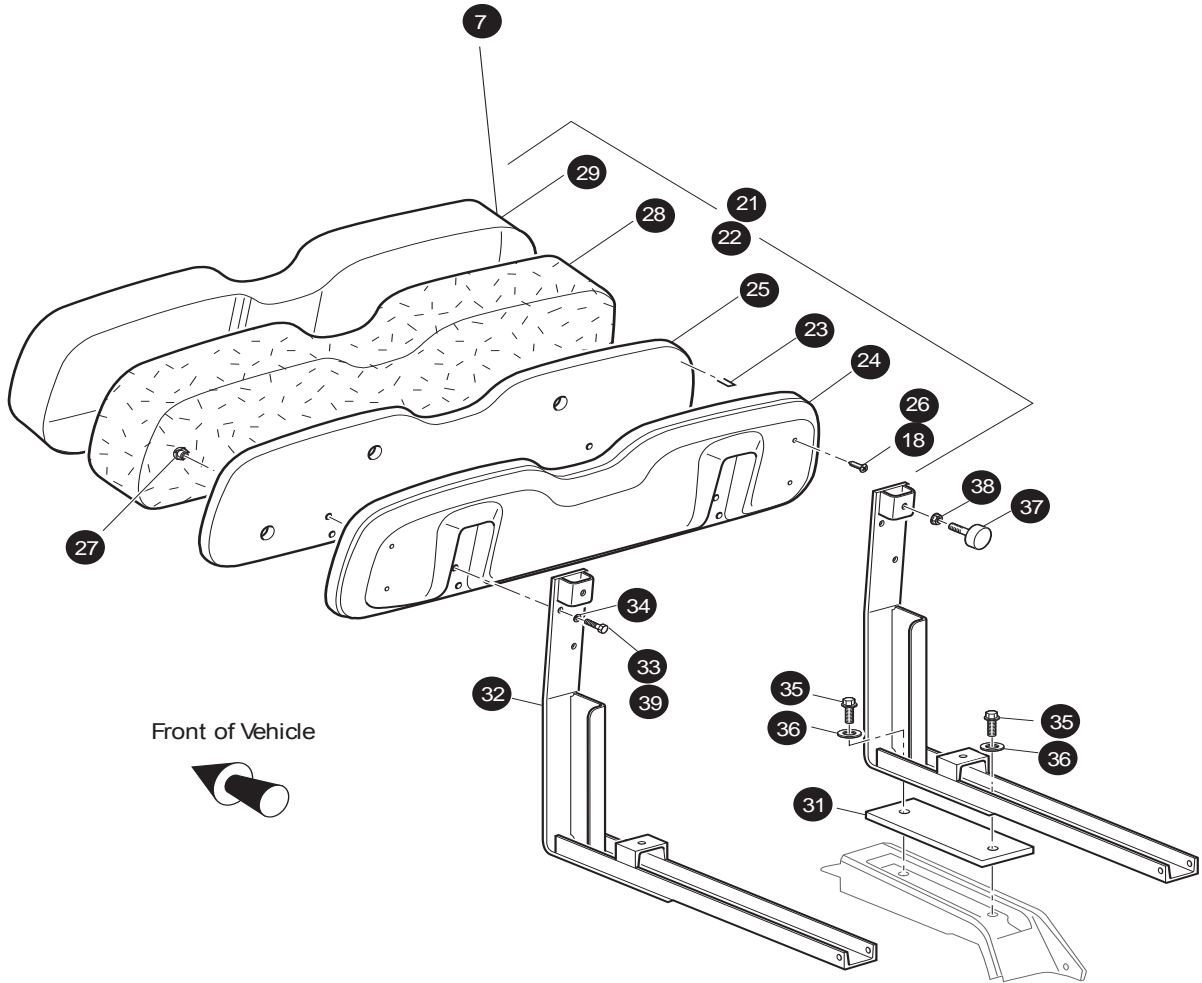
When ordering parts, please specify the model and serial number of the product.

* Indicates a component that is not available as an individual part.

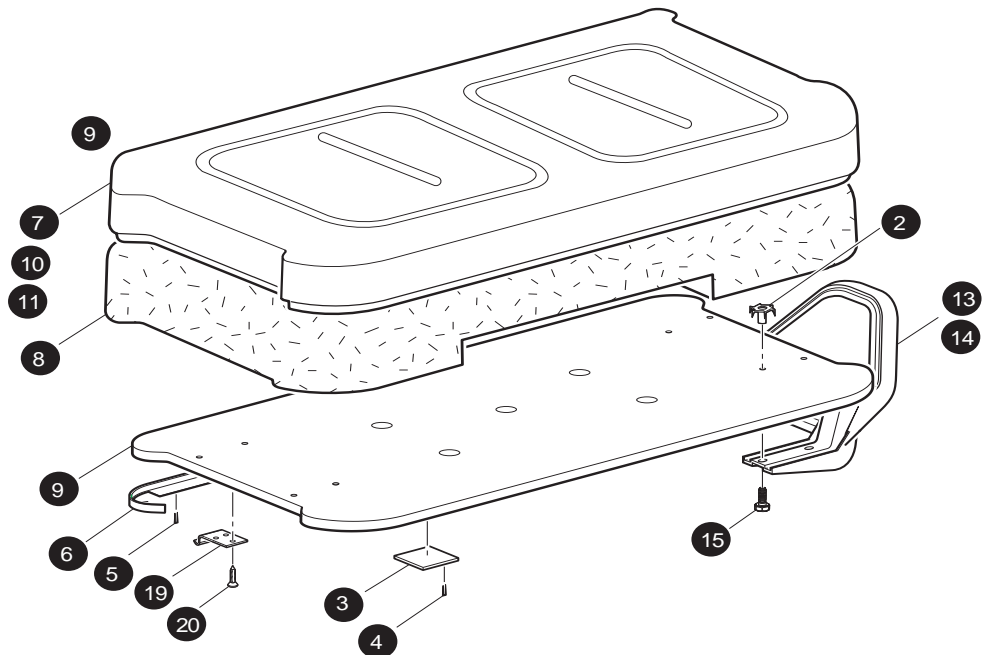
*** Indicates consult Customer Service Department for additional information.

ITEM	PART NO.	1 2 3 4 5	DESCRIPTION	QTY.
1	605721		HEAVY DUTY LEAF SPRING.....	2
2	605955		BRACKET, AXLE HIGH	2
3	605977		SPRING PLATE	2
4				
5	32195G3		'U' BOLT, 3/8 - 16 X 2" X 2 1/8" LG.....	4
6	00643G1		WASHER, 3/8"	10
7	11098G5		LOCK NUT, 3/8 - 16	12
8				
9	605445		FLANGED BUSHING.....	2
10	00665G9		SHOULDER BOLT, 3/8 - 16 X 3 1/4" LG.....	6
11	12262G1		LOCK NUT, 3/8 - 16	2
12				
13	70291G01		FLANGED BUSHING.....	8
14	70289G02		SPACER.....	4
15				
16	70290G02		SHACKLE PLATE	4
17				
18				
19	70248G01		SHOCK ABSORBER	2
20	10435G1		SHOCK ABSORBER WASHER.....	8
21	10194G1		RUBBER BUSHING.....	8
22	00532G6		NUT, 3/8 - 24	4
23	10044G01		VINYL CAP	2

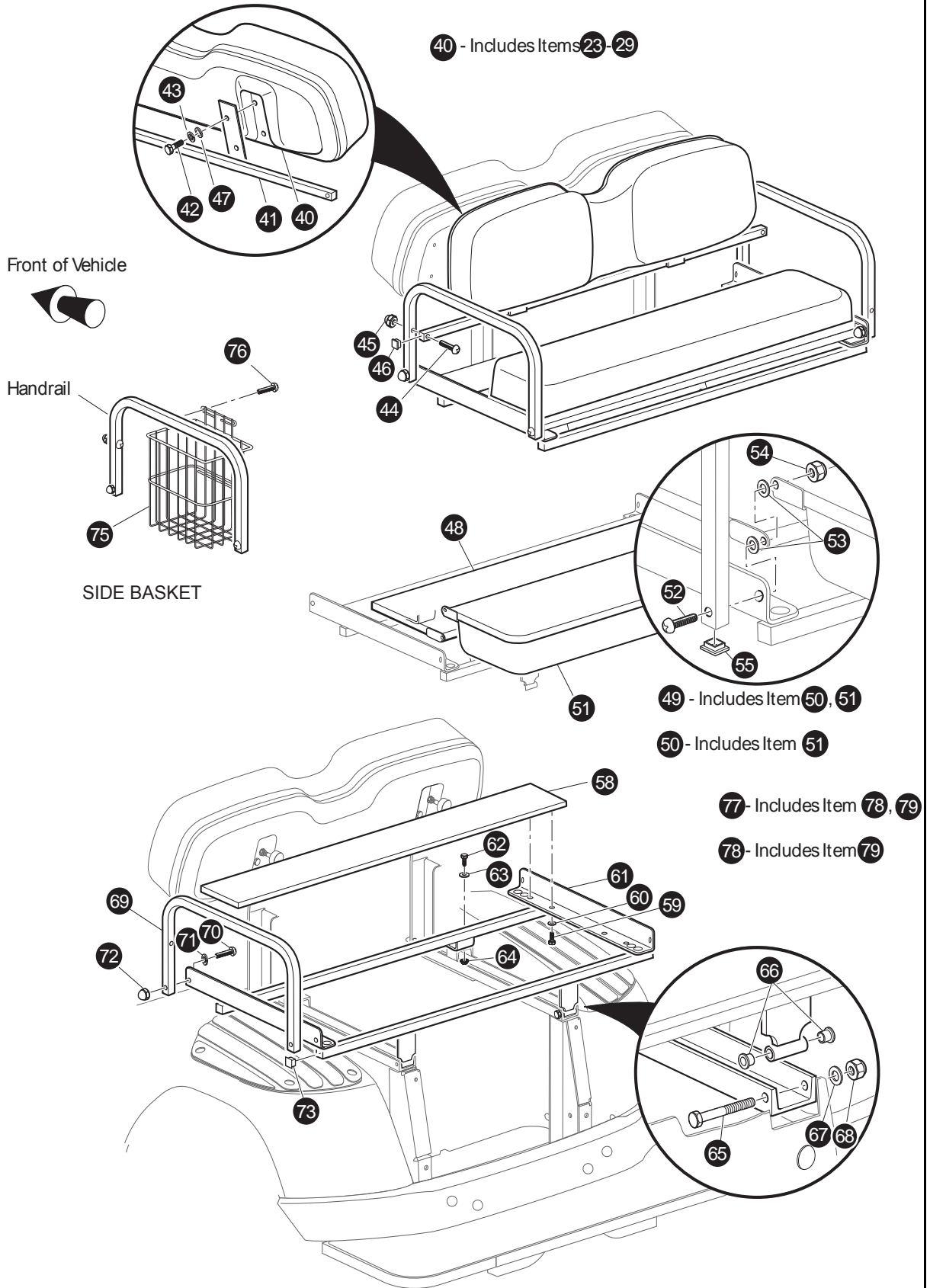
SEATING



1 - Includes Items 2 - 9



Ref Sea 11-1



Ref Sea 11-2

SEATING

THE USE OF NON U.L. PARTS WILL VOID ANY U.L. LISTING.

When ordering parts, please specify the model and serial number of the product.

* Indicates a component that is not available as an individual part.

G** Indicates consult Customer Service Department for additional information.

ITEM	PART NO.	1 2 3 4 5	DESCRIPTION	QTY.
1	71611-G**		SEAT BOTTOM ASSEMBLY (INCLUDES ITEMS 2 - 9)	1
2	*		TEE NUT.....	8
3	17074-G1		RUBBER PAD.....	2
4	*		FLAT STAPLE.....	110
5	*		FLAT STAPLE.....	46
6	71012-G01		VINYL TRIM (SEAT BOTTOM).....	1
7	71602-G**		VINYL SEAT BOTTOM COVER	1
8	*		FOAM PADDING (SEAT BOTTOM).....	1
9	*		SEAT BOTTOM (WOOD).....	1
10	604912-G**		TWO TONE VINYL SEAT BOTTOM	1
11	604906		SEAT BOTTOM (ST CUSTOM)	1
12				
13	71701-G01		HIP RESTRAINT (PASSENGER SIDE)	1
14	71702-G01		HIP RESTRAINT (DRIVER SIDE).....	1
15	71204-G01		BOLT, 1/4 - 20 X 1" LG (STAINLESS STEEL).....	8
16				
17				
18	607535		TORX HEAD SCREW	4
19	71610-G01		SEAT HINGE.....	2
20	00720-G08		SCREW, #12 - 14 X 1" LG (STAINLESS STEEL)	4
21	604908		SEAT BACK ASSEMBLY (INCLUDES 18, 23-25, 27,28 & 30)	1
22	71751-G**		SEAT BACK ASSEMBLY (INCLUDES ITEMS 23 - 29).....	1
23	*		FLAT STAPLE.....	95
24	71752-G01		PLASTIC SEAT BACK COVER	1
25	*		SEAT BACK (WOOD).....	1
26	01107-G01		SCREW, #8 X 3/8" LG (STAINLESS STEEL)	4
27	*		TEE NUT.....	4
28	*		FOAM PADDING (SEAT BACK)	1
29	71753-G**		VINYL SEAT BACK COVER	1
30	604916-G**		TWO TONE VINYL SEAT BACK.....	1

THE USE OF NON U.L. PARTS WILL VOID ANY U.L. LISTING.

When ordering parts, please specify the model and serial number of the product.

* Indicates a component that is not available as an individual part.

G** Indicates consult Customer Service Department for additional information.

ITEM	PART NO.	1 2 3 4 5	DESCRIPTION	QTY.
31	70364-G01		SPACER.....	2
32	74111-G01		SEAT BACK SUPPORT	2
33	00661-G8		BOLT, 1/4 - 20 X 1" LG (STAINLESS STEEL).....	4
34	00664-G7		LOCK WASHER, 1/4" (STAINLESS STEEL)	4
35	01006-G02		BOLT, 3/8 - 16 X 1 1/2" LG	4
36	00560-G1		WASHER, 3/8"	4
37	70113-G01		ADJUSTABLE BUMPER	2
38	11027-G1		LOCK NUT, 5/16 - 18	2
39	605056		SCREW 1/4 - 20 X 1"	4
40	71751-G**		SEAT BACK ASSEMBLY (INCLUDES ITEMS 23 - 29).....	1
41	75258-G01		SEAT BACK SUPPORT	1
42	00661-G8		BOLT, 1/4 - 20 X 1" LG (STAINLESS STEEL).....	4
43	00664-G7		LOCK WASHER, 1/4" (STAINLESS STEEL)	4
44	16705-G13		SCREW, 1/4 - 20 X 1.875 LG (STAINLESS STEEL).....	2
45	00520-G1		ACORN NUT, 1/4 - 20	2
46	75261-G01		END PLUG, 3/4"	2
47	01110-G01		FLAT WASHER 1/4"	4
48	71061-G02		BED ASSEMBLY	1
49	71063-G**		SEAT BOTTOM ASSEMBLY (INCLUDES ITEM 50, 51).....	1
50	75197-G**		SEAT BOTTOM (INCLUDES ITEM 51)	1
51	75252-G**		VINYL SEAT BOTTOM COVER.....	1
52	00762-G6		SCREW, 5/16 - 18 X 1 1/2" LG (STAINLESS STEEL)	2
53	17255-G1		TEFLON WASHER, 5/16"	4
54	00891-G3		LOCK NUT, 5/16 - 18 (STAINLESS STEEL)	2
55	19859-G1		END CAP, 3/4".....	4
56				
57				
58	71060-G01		BED FRONT (INCLUDES MAT).....	1
59	00661-G6		BOLT, 1/4 - 20 X 3/4" LG (STAINLESS STEEL).....	4
60	00664-G7		WASHER, 5/16"	4

SEATING

THE USE OF NON U.L. PARTS WILL VOID ANY U.L. LISTING.

When ordering parts, please specify the model and serial number of the product.

* Indicates a component that is not available as an individual part.

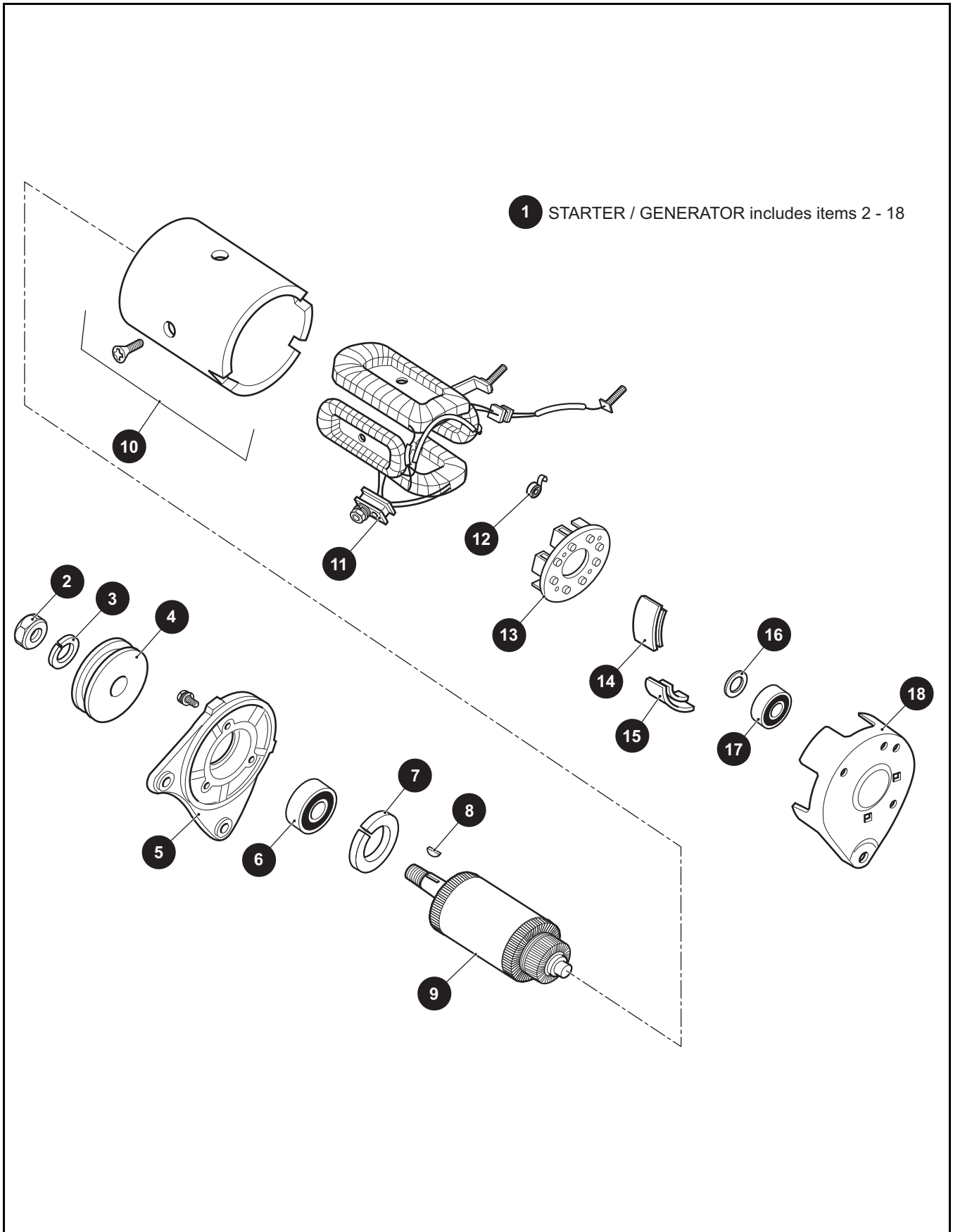
G** Indicates consult Customer Service Department for additional information.

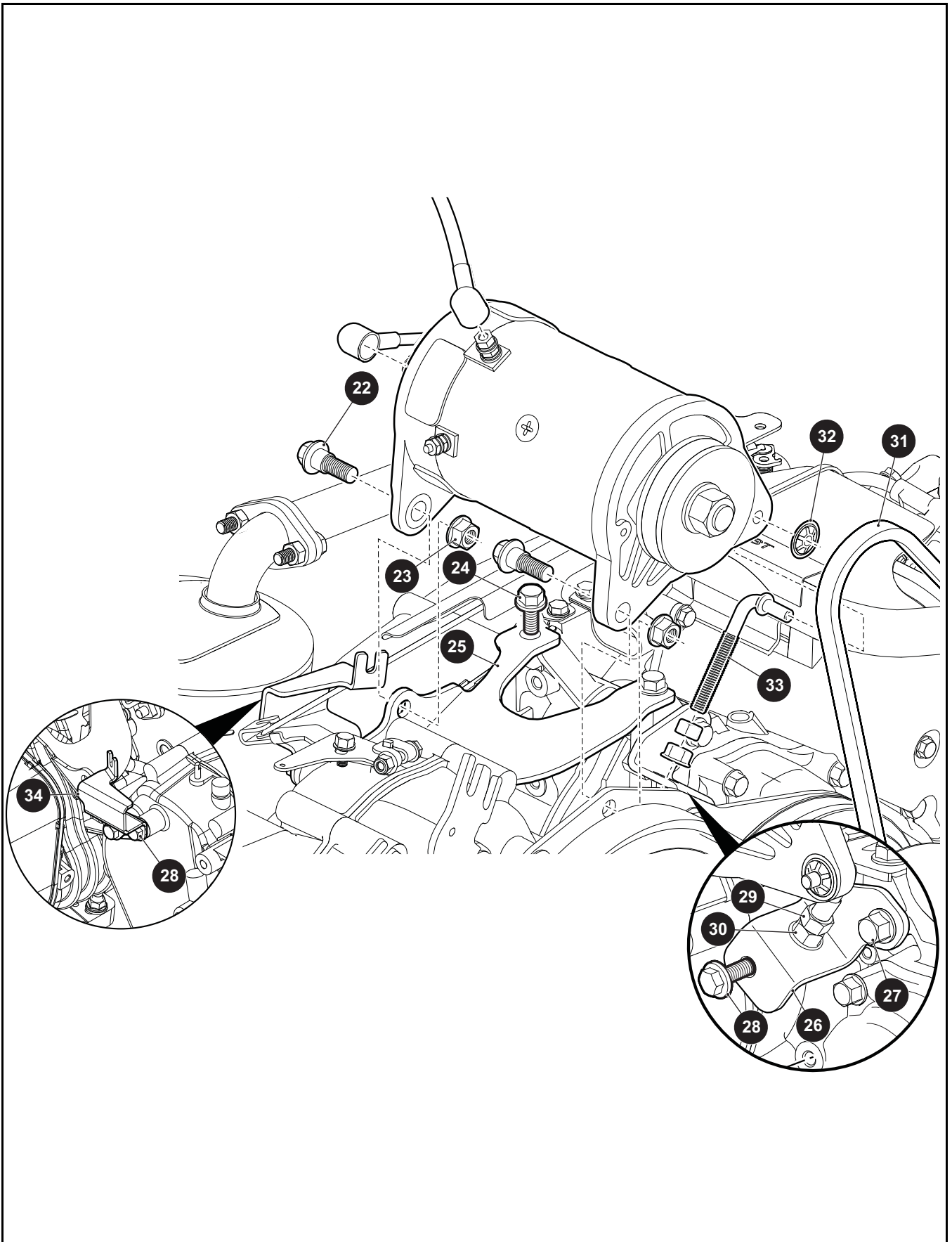
ITEM	PART NO.	1 2 3 4 5	DESCRIPTION	QTY.
61	75193-G01		SUPPORT FRAME.....	1
62	00438-G8		BOLT, 5/16 - 18 X 1" LG	2
63	00559-G8		WASHER, 5/16"	2
64	00891-G3		LOCK NUT, 5/16 - 18	2
65	00272-G4		BOLT, 5/16 - 18 X 2 1/2" LG	2
66	17838-G1		NYLON BUSHING.....	4
67	00559-G8		WASHER, 5/16"	2
68	00891-G3		LOCK NUT, 5/16 - 18 (STAINLESS STEEL)	2
69	75196-G01		HANDRAIL	2
70	00762-G2		SCREW, 5/16 - 18 X 1 1/4" LG (STAINLESS STEEL)	2
71	00664-G8		LOCK WASHER, 5/16" (STAINLESS STEEL)	2
72	00520-G3		ACORN NUT, 5/16 - 18	2
73	75261-G02		END CAP, 1".....	4
74				
75	75460-G01		SIDE BASKET (BLACK).....	2
76	00106-G6		SELF THREADING SCREW, #12 - 24 X 3/4" LG	4
77	604922		SEAT BOTTOM ASSEMBLY (INCLUDES ITEM 78, 79).....	1
78	604921		SEAT BOTTOM (INCLUDES 79).....	1
79	604920-G0102		VINYL SEAT BOTTOM COVER	1

Notes:

A large grid of graph paper, consisting of 20 columns and 30 rows of small squares, intended for taking notes.

STARTER / GENERATOR





STARTER / GENERATOR

THE USE OF NON U.L. PARTS WILL VOID ANY U.L. LISTING.

When ordering parts, please specify the model and serial number of the product.

* Indicates a component that is not available as an individual part.

G** Indicates consult Customer Service Department for additional information.

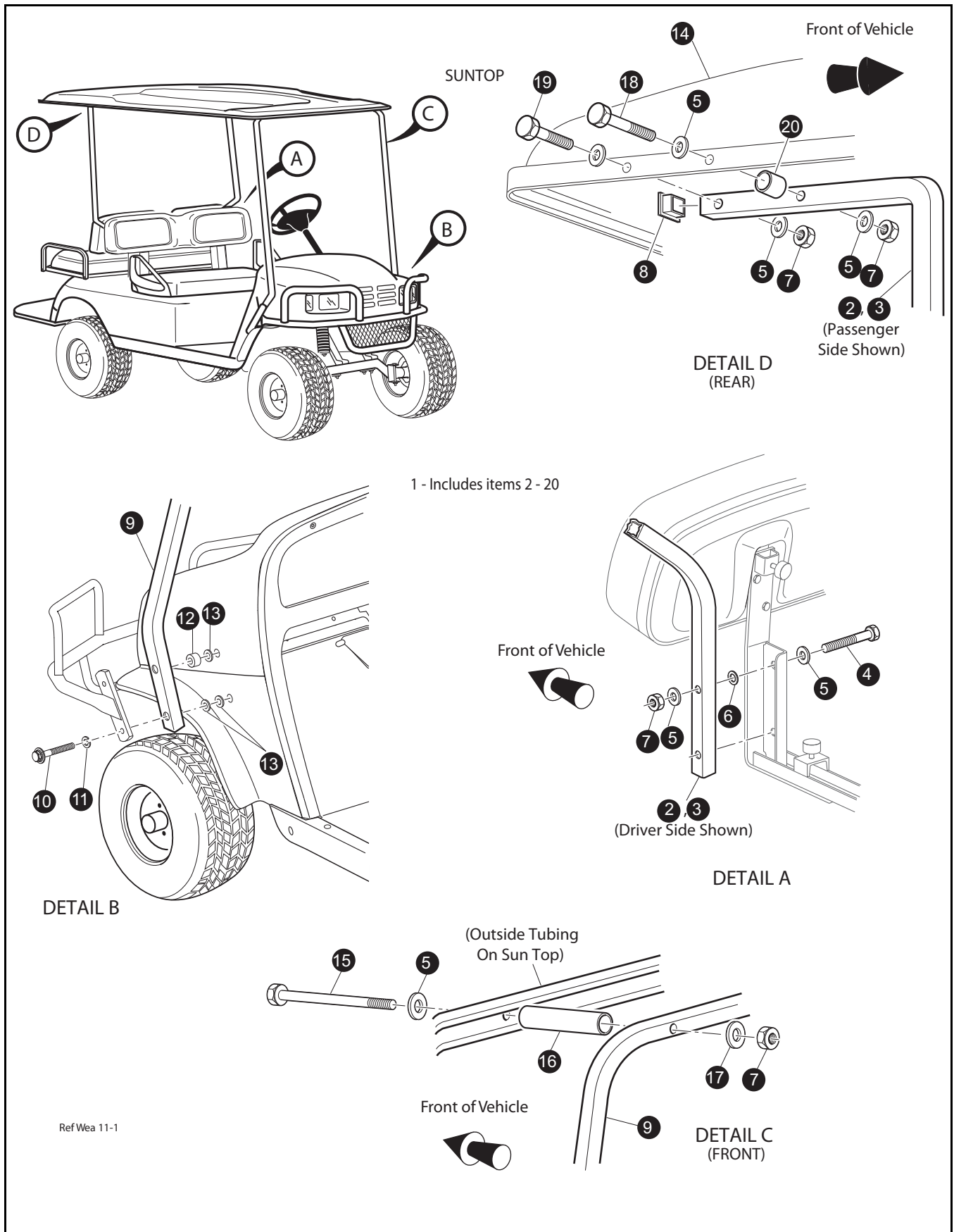
ITEM	PART NO.	1 2 3 4 5	DESCRIPTION	QTY.
1	625715		STARTER / GENERATOR (INCLUDES ITEMS 2 - 18).....	1
2	612029		NUT.....	1
3	612030		LOCKWASHER	1
4	625716		PULLEY	1
5	612032		FRONT COVER.....	1
6	612033		BEARING.....	1
7	612034		RETAINING RING.....	1
8	612035		KEY.....	1
9	612036		ARMATURE ASSEMBLY	1
10	612037		FRAME & FIELD ASSEMBLY	1
11	612038		BRUSH LEAD & TERMINAL PKG.....	1
12	612039		BRUSH SPRING.....	4
13	612040		BRUSH BOX ASSEMBLY.....	1
14	612041		BRUSH 1 COVER.....	3
15	612042		BRUSH 2 COVER.....	2
16	612043		WAVY WASHER	1
17	612044		BEARING.....	1
18	612045		REAR COVER	1
19				
20				
21				
22	606235		BOLT, HXFL SHLDR - M10 - 1.25 X 20.....	2
23	606279		NUT, M10 - 1.25	2
24	606261		BOLT, M8 - 1.25 X 20	3
25	602141		STARTER / GENERATOR BRACKET.....	1
26	602145		TENSIONER BRACKET	1
27	606261		BOLT, M8 - 1.25 X 20	1
28	606256		BOLT, M10 - 1.25 X 25	9
29	606255		NUT, M10 - 1.25	1
30	606274		NUT, M10 - 1.25	1

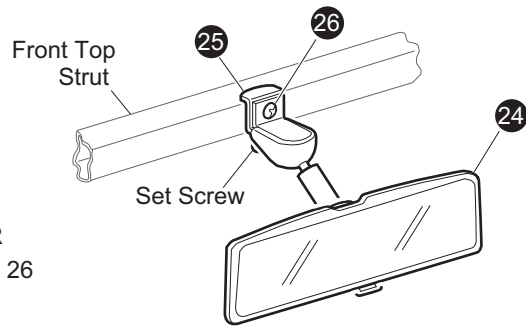
STARTER / GENERATOR

THE USE OF NON U.L. PARTS WILL VOID ANY U.L. LISTING.
 When ordering parts, please specify the model and serial number of the product.
 * Indicates a component that is not available as an individual part.
 G** Indicates consult Customer Service Department for additional information.

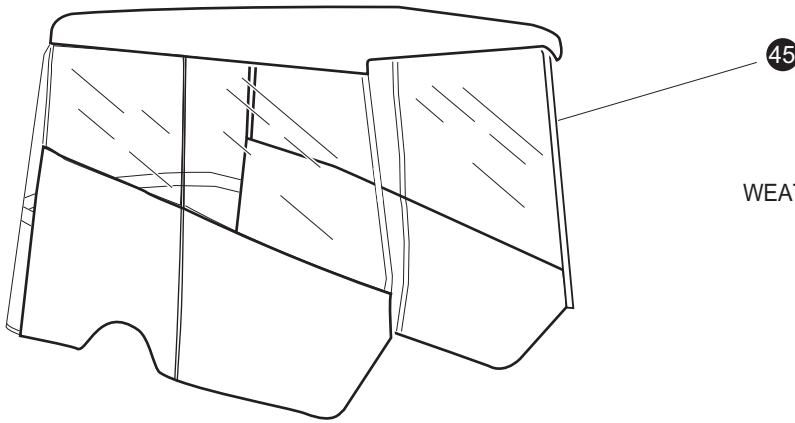
ITEM	PART NO.	1	2	3	4	5	DESCRIPTION	QTY.
31	16548G1						STARTER / GENERATOR BELT	1
32	12064G6						PUSH NUT, 5/16"	1
33	625705						TENSIONER BOLT	1
34	603884						CABLE GUIDE BRACKET	1

WEATHER PROTECTION

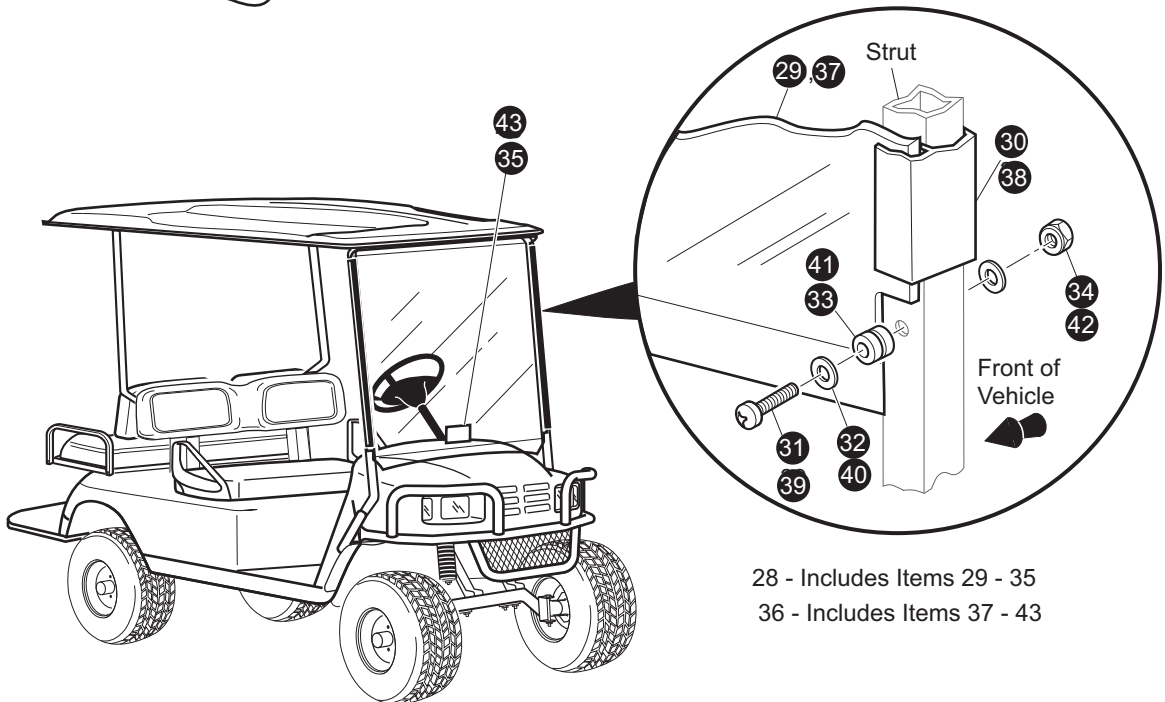




REAR VIEW MIRROR
23 - Includes Items 24 - 26



WEATHER ENCLOSURE



28 - Includes Items 29 - 35
36 - Includes Items 37 - 43

Ref Wea 11-2

WEATHER PROTECTION

THE USE OF NON U.L. PARTS WILL VOID ANY U.L. LISTING.

When ordering parts, please specify the model and serial number of the product.

* Indicates a component that is not available as an individual part.

G** Indicates consult Customer Service Department for additional information.

ITEM	PART NO.	1 2 3 4 5	DESCRIPTION	QTY.
1	75123G01		SUN TOP KIT (INCLUDES ITEMS 2 - 20)	1
2	75074G01		REAR STRUT (DRIVER SIDE).....	1
3	75074G02		REAR STRUT (PASSENGER SIDE)	1
4	00665G5		HEX HEAD BOLT, 3/8 - 16 X 1 3/4" LG	4
5	00679G1		FLAT WASHER, 3/8"	18
6	00771G5		NYLON WASHER, 3/8.....	4
7	00891G5		LOCK NUT, 3/8 - 16.....	10
8	19853G1		END CAP, 1"	2
9	75125G01		FRONT STRUT.....	1
10	00440G2		HEX HEAD BOLT, 5/16 - 18 X 2 1/4" LG.....	4
11	00905G8		LOCK WASHER, 5/16"	4
12	75048G01		SPACER, 1/2"	2
13	00879G1		LOCK WASHER, 3/8"	4
14	27604G01		SUN TOP	1
15	00674G8		HEX HEAD BOLT, 3/8 - 16 X 5" LG	2
16	18716G1		SPACER	2
17	00653G1		FLAT WASHER, 3/8"	2
18	00665G3		HEX HEAD BOLT, 3/8 - 16 X 2 1/2" LG	2
19	00665G6		HEX HEAD BOLT, 3/8 - 16 X 2" LG	2
20	24647G1		SPACER, 1/4"	2
21				
22				
23	19528G2		REAR VIEW MIRROR KIT (INCLUDES ITEMS 24 - 26)	1
24	19496G1		REAR VIEW MIRROR	1
25	19502G2		SUPPORT BRACKET.....	1
26	19527G1		PAN HEAD SCREW, #8 - 32 X 5/8" LG	1
27				
28	71966G04		WINDSHIELD KIT (REQUIRES SUN TOP KIT) (INCLUDES ITEMS 29 - 35).....	1
29	617544		SPORT WINDSHIELD	1

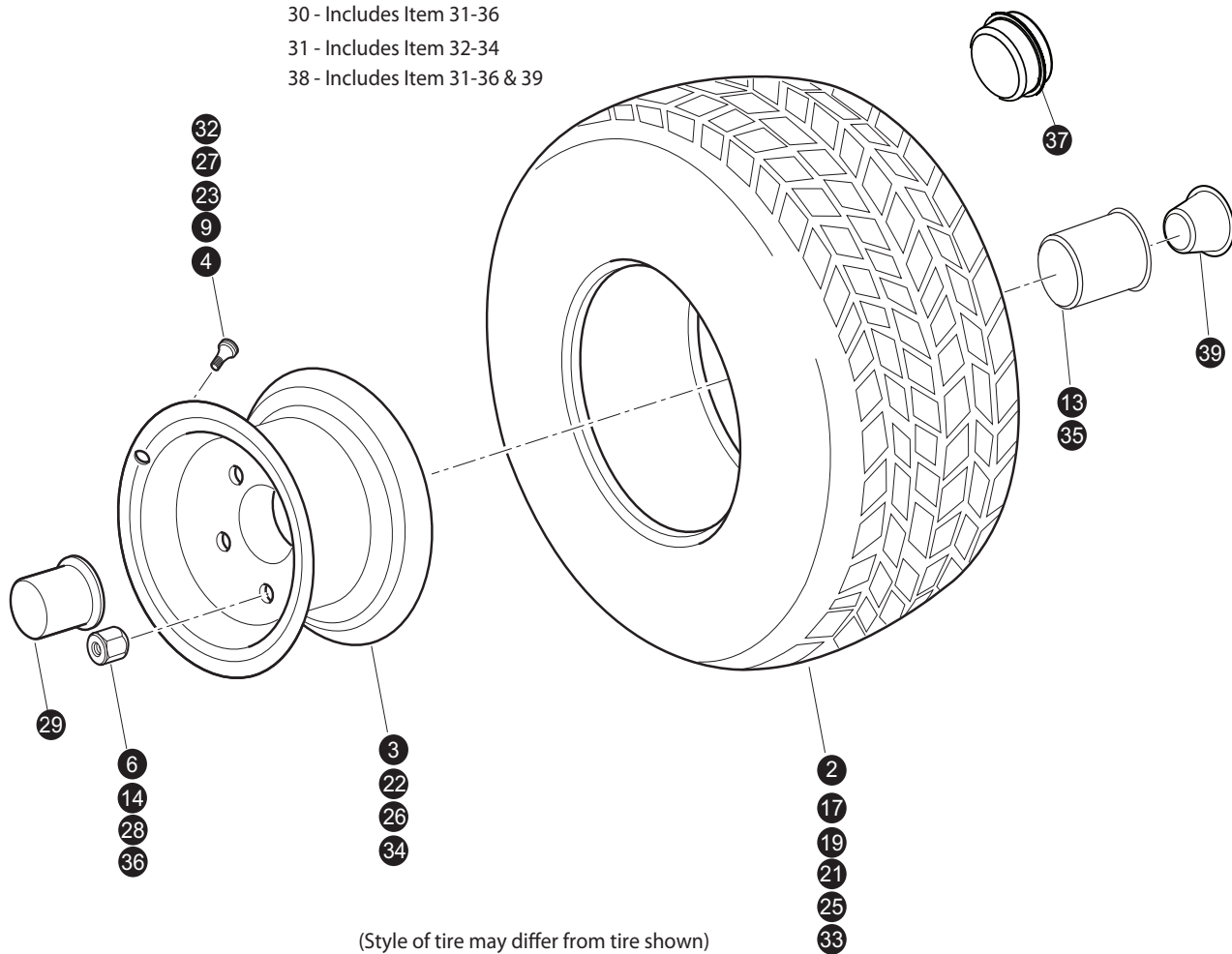
WEATHER PROTECTION

THE USE OF NON U.L. PARTS WILL VOID ANY U.L. LISTING.
 When ordering parts, please specify the model and serial number of the product.
 * Indicates a component that is not available as an individual part.
 G** Indicates consult Customer Service Department for additional information.

ITEM	PART NO.	1	2	3	4	5	DESCRIPTION	QTY.
30	615661						SASH, 12" LG	2
31	71956G03						SCREW, 1/4 - 20 X 1 3/4" LG (STAINLESS STEEL).....	2
32	71956G04						WASHER, 1/4" (STAINLESS STEEL).....	4
33	71956G06						RUBBER GROMMET	2
34	71956G05						LOCK NUT, 1/4 - 20 (STAINLESS STEEL).....	2
35	110066						LABEL (SAFETY)	1
36	75524G03						WINDSHIELD KIT FLAT (INCLUDES ITEMS 37 - 43).....	1
37	E4WFX03						WINDSHIELD (4 CADDY)	1
38	EGWHC12						SASH, 26" LG	2
39	EGWHS12						STAINLESS STEEL SCREW, 1/4-20 X1 3/4" LG	2
40	EGWHW12						STAINLESS STEEL WASHER, 1/4"	4
41	EGWHG13						RUBBER GROMMET	2
42	EGWHN12						STAINLESS STEEL LOCK NUT, 1/4 - 20	2
43	EGWHL14						SAFETY LABEL.....	1
44								
45	75492G01						WEATHER ENCLOSURE (3 SIDED)	1
							Replacement Parts for items 30-35 may be obtained from:	
							Eagle Parts, Inc 1811 Wilkinson Rd. Augusta, GA 30904 Telephone (706) 729-9911 Fax (706) 729-9955	

WHEELS AND TIRES

- 1 - Includes Items 2, 3, 4
- 8 - Includes Item 9
- 10 - Includes Item 9
- 16 - Includes Item 17
- 18 - Includes Item 19
- 20 - Includes Item 21-23
- 24 - Includes Item 25-27
- 30 - Includes Item 31-36
- 31 - Includes Item 32-34
- 38 - Includes Item 31-36 & 39



Ref Whl 11

WHEELS AND TIRES

When ordering parts, please specify the model and serial number of the product.

* Indicates a component that is not available as an individual part.

G** Indicates consult Customer Service Department for additional information.

ITEM	PART NO.	1 2 3 4 5	DESCRIPTION	QTY.
1	28442G03		WHEEL AND TIRE ASSEMBLY (INCLUDES ITEMS 2, 3, 4).....	AR
2	28442G02		TIRE, 20 X 10 - 10 TURF SAVER®.....	1
3	15172G02		WHEEL RIM, BLACK (4 LUG).....	1
4	11657G1		VALVE STEM.....	1
5				
6	14723G1		LUG NUT, 1/2 -20.....	AR
7				
8	74842G03		WHEEL AND TIRE ASSEMBLY LH, TRAIL WOLF (BLK) (INCLUDES ITEM 9)	AR
9	012007		VALVE STEM.....	1
10	74842G04		WHEEL AND TIRE ASSEMBLY RH, TRAIL WOLF (BLK) (INCLUDES ITEM 9)	AR
11				
12	605228		POLISHED WHEEL AND RIGHT PATHFINDER TIRE.....	AR
13	604929		CENTER CAP.....	1
14	601354		LUG NUT.....	4
15	604930		POLISHED WHEEL AND LEFT PATHFINDER TIRE.....	AR
16	28630G04		TIRE & WHEEL ASSY LH (FRONT & REAR) (BLK).....	2
17	28630G01		TIRE 22 X 9 -10 STRYKER.....	2
18	28630G05		TIRE & WHEEL ASSY RH (FRONT & REAR) (BLK).....	2
19	28630G01		TIRE 22 X 9 -10 STRYKER.....	2
20	606240		SPEEDRACER TIRE AND WHEEL, 10X7, DRIVER SIDE (INCLUDES 21-23) (MUST USE ITEM 28 LUG NUTS, ORDER SEPARATELY).....	2
21	606139		SPEED RACER, 10X7 DRIVER SIDE.....	1
22	606152		WHEEL, 10" DIAMOND FINISHED WHEEL.....	1
23	604915		VALVE STEM, CHROME.....	1
24	606179		SPEEDRACER TIRE AND WHEEL, 10X7, PASSENGER SIDE (INCLUDES 25-27) (MUST USE ITEM 28 LUG NUTS, ORDER SEPARATELY)	2
25	606139		SPEED RACER, 10X7 DRIVER SIDE.....	1
26	606152		WHEEL, 10 " DIAMOND FINISHED WHEEL.....	1
27	604915		VALVE STEM, CHROME.....	1
28	606925		DIAMOND LUG NUTS.....	4

WHEELS AND TIRES

When ordering parts, please specify the model and serial number of the product.

* Indicates a component that is not available as an individual part.

G** Indicates consult Customer Service Department for additional information.

ITEM	PART NO.	1 2 3 4 5	DESCRIPTION	QTY.
29	608910		DIAMOND WHEEL CAP	1
30	613470		FRONT TIRE AND WHEEL , 10" TERRA TRAC (INCLUDES ITEM 31 - 36).....	1
31	608914		WHEEL ASSEMBLY, 10" TERRA TRAC (INCLUDES ITEM (32 - 34).....	2
32	604915		VALVE STEM, CHROME	1
33	606141		TIRE, 10" TERRA TRAC	1
34	604927		WHEEL, 10 X 7	1
35	604929		CENTER CAP, CHROME	2
36	605310		LUG NUT	8
37	12091G2		SPINDLE CAP	2
38	613473		REAR TIRE AND WHEEL, 10" TERRA TRAC (INCLUDES ITEM 31 - 36 & 39)	1
39	74175G01		DUST CAP	2

SPECIALTY PRODUCTS

SPECIALTY PRODUCTS

SPECIAL TOOLS	PART NO.
HIGH RESISTANCE SPARK PLUG WIRE SET	26733-G02
CLUTCH PULLER (DRIVE)	19779-G2
FLYWHEEL PULLER	27111-G01
CURRENT INDICATOR	16489-G2
DIGITAL MULTI-METER	27481-G01
TUBELESS TIRE REPAIR KIT	606009
TIRE PLUGGER REFIL PACK (50/BOX)	606831

TOUCH UP PAINT	PART NO.
PEN 3 OUNCE (89 ML) - HUNTER GREEN	28432-G02
PEN 3 OUNCE (89 ML) - CHAMPAGNE BEIGE	28432-G01
PEN 3 OUNCE (89 ML) - WHITE	28432-G05
PEN 3 OUNCE (89 ML) - INDUSTRIAL YELLOW	28432-G03
PEN 3 OUNCE (89 ML) - ORANGE	28432-G04
PEN 3 OUNCE (89 ML) - STEEL BLUE PEARL	28432-G24
PEN 3 OUNCE (89 ML) - OLIVE GREEN	28432-G**
PEN 3 OUNCE (89 ML) - CAMOUFLAGE PAINT (THREE PENS)	75831-G01
AEROSOL 12 OUNCE (360 ML) - HUNTER GREEN	28140-G09
AEROSOL 12 OUNCE (360 ML) - CHAMPAGNE BEIGE	28140-G15
AEROSOL 12 OUNCE (360 ML) - INDUSTRIAL YELLOW	28140-G14

MAINTENANCE PRODUCTS	PART NO.
PLEXUS® CLEANER, 13 OUNCE (380 ML) (FOR WINDSHIELDS)	28433-G02
BATTERY PROTECTOR, 14 OUNCE (410 ML) SPRAY	27619-G02
E-Z-GO ALLSURFACE CLEANER	606311
E-Z-GO FIBERGLASS/PLASTIC RESTORER	606313
WIND SHIELD AND PLASTIC PROTECTOR	606314
64 OZ HAND CLEANER	607636
4 OZ HAND CLEANER	607637

OPTIONS/ACCESSORIES

OPTIONS/ACCESSORIES

ITEM	KIT NO.	SECTION
ASHTRAY KIT	75109G02	See BODY
BOX COOLER AND BRACKET KIT	71048G01	See BODY
DIFFERENTIAL GUARD	72347G01	See REAR AXLE
FRONT BASKET	74521G02	See BODY
GLOVE BOX DOOR	75459G0*	See BODY
GUN HOLDER (FLOOR MOUNT)	74365G01	See BODY
GUN HOLDER (SWIVEL MOUNT)	74533G01	See BODY
HOUR METER KIT	75114G02	See ELECTRICAL SYSTEM
REAR VIEW MIRROR KIT	19528G2	See WEATHER PROTECTION
SOFT ENCLOSURE	75492G01	See WEATHER PROTECTION
SUN TOP KIT	75123G01	See WEATHER PROTECTION
TURN SIGNAL KIT	75107G01	See ELECTRICAL SYSTEM
WINDSHIELD (POLYCARBONATE)	71966G01	See WEATHER PROTECTION
TIRE DOMINATOR 20X11-10	605316	Wheels and Tires
PATHFINDER TIRE, BRUSHED WHEEL LH	605355	Wheels and Tires
PATHFINDER TIRE, BRUSHED WHEEL RH	605356	Wheels and Tires
V-STEM-BRUSHED SPOKED WHEEL	605351	Wheels and Tires
DOMINATOR - POLISHED WHEEL	605319	Wheels and Tires
DOMINATOR - BRUSHED WHEEL	605320	Wheels and Tires
CHROME CENTER CAP - SPOKED WHEEL	604929	Wheels and Tires
NUT, LUG-CHROME	605310	Wheels and Tires
V-STEM-POLISHED SPOKED WHEEL	605311	Wheels and Tires
PATHFINDER TIRE 22X11-10	604928	Wheels and Tires
PATHFINDER TIRE, POLISHED WHEEL LH	604930	Wheels and Tires
PATHFINDER TIRE, POLISHED WHEEL RH	605228	Wheels and Tires
WHEEL INSTL FRT/RR 20X9X10 STRYKER	605664	Wheels and Tires
SEAT BTM COVER FRONT/REAR W/PIPPING	604912GXXXX	Seating
SEAT BACK FRNT/RR COVER - W/PIPPING	604916GXXXX	Seating
VINYL CVR-SEAT BTM CC W/PIPPING	604920GXXXX	Seating
SEAT BOTTOM CONV-CARR W/PIPPING	605372GXXXX	Seating
SEAT BACK CUST W/PIPPING	605373GXXXX	Seating
SEAT BOTTOM FRONT W/PIPPING	605374GXXXX	Seating

OPTIONS/ACCESSORIES

ITEM	KIT NO.	SECTION
SEAT BOTTOM REAR W/PIPPING.....	605375GXXXX.....	Seating
RED BBODY FLAME W/LNR W/LGT INSTL.....	74862G139.....	Body
WHITE FLIP FLOP ON RED SEAT INSTL.....	71040G29.....	Seating
WHITE ON RED CONV. CARRIER INSTL.....	74852G11.....	Seating
MOD-CE MARK W/CE KIT.....	606431	
WHEEL ASSEMBLY - TERRA TRAC.....	608915.....	Wheels and Tires - CLAYS CAR
WHEEL ASSEMBLY - TERRA TRAC.....	608915.....	Wheels and Tires - CLAYS CAR, CARB
WHEEL ASSEMBLY - TERRA TRAC.....	608915.....	Wheels and Tires - SPORT 2+2 G
WHEEL ASSEMBLY - TERRA TRAC.....	608915.....	Wheels and Tires - SPORT 2+2 G CARB

OPTIONS/ACCESSORIES



A Textron Company



E-Z-GO Division Of Textron Inc.,
1451 Marvin Griffin Road, Augusta, Georgia USA 30906-3852

TO CONTACT US

North America:

Technical Assistance & Warranty Phone: 1-800-774-3946, FAX: 1-800-448-8124
Service Parts Phone: 1-888-GET-EZGO (1-888-438-3946), FAX: 1-800-752-6175

International:

Phone: 001-706-798-4311, FAX: 001-706-771-4609

Certified ISO 9001 / ISO 14001 by



©2011 E-Z-GO Division of Textron Inc.
This manual may not be reproduced in whole or
in part without the express permission of
E-Z-GO Division of Textron Inc.
Technical Communications Department
All rights reserved.