



CUSHMAN[®]
LET'S WORK!

Electric Powered Vehicle Service Parts Manual



629501-AW

ISSUED JAN 2013

REVISED SEPTEMBER 2019

SERVICE PARTS MANUAL

ELECTRIC POWERED UTILITY VEHICLE

SHUTTLE 8

STARTING MODEL YEAR 2012

DISCLAIMER: The E-Z-GO Division of Textron Inc. (E-Z-GO) reserves the right to incorporate engineering and design changes to products in this Manual, without obligation to include these changes on units leased/sold previously.

The information contained in this Manual may be revised periodically E-Z-GO, and therefore is subject to change without notice.

E-Z-GO DISCLAIMS LIABILITY FOR ERRORS IN THIS MANUAL, and E-Z-GO SPECIFICALLY DISCLAIMS LIABILITY FOR INCIDENTAL AND CONSEQUENTIAL DAMAGES RESULTING FROM THE USE OF THE INFORMATION AND MATERIALS IN THIS MANUAL.

TO CONTACT US

NORTH AMERICA:

TECHNICAL ASSISTANCE & WARRANTY PHONE: 1-800-774-3946, FAX: 1-800-448-8124

SERVICE PARTS PHONE: 1-888-GET-EZGO (1-888-438-3946), FAX: 1-800-752-6175

INTERNATIONAL: PHONE: 001-706-798-4311, FAX: 001-706-771-4609

E-Z-GO DIVISION OF TEXTRON INC., 1451 MARVIN GRIFFIN RD., AUGUSTA, GEORGIA USA 30906-3852

GENERAL INFORMATION

To obtain a copy of the limited warranty applicable to the vehicle, call or write a local Distributor, authorized Branch or the Warranty Department with vehicle serial number and manufacturer code.

The use of non Original Equipment Manufacturer (OEM) parts may void the warranty.

Overfilling of batteries may void the warranty.

BATTERY PROLONGED STORAGE

All batteries will self discharge over time. The rate of self discharge varies depending on the ambient temperature and the age and condition of the batteries.

A fully charged battery will not freeze in winter temperatures unless the temperature falls below -75° F (-60° C).

As with all electric vehicles, the batteries must be checked and recharged as required or at a minimum of 30 day intervals.

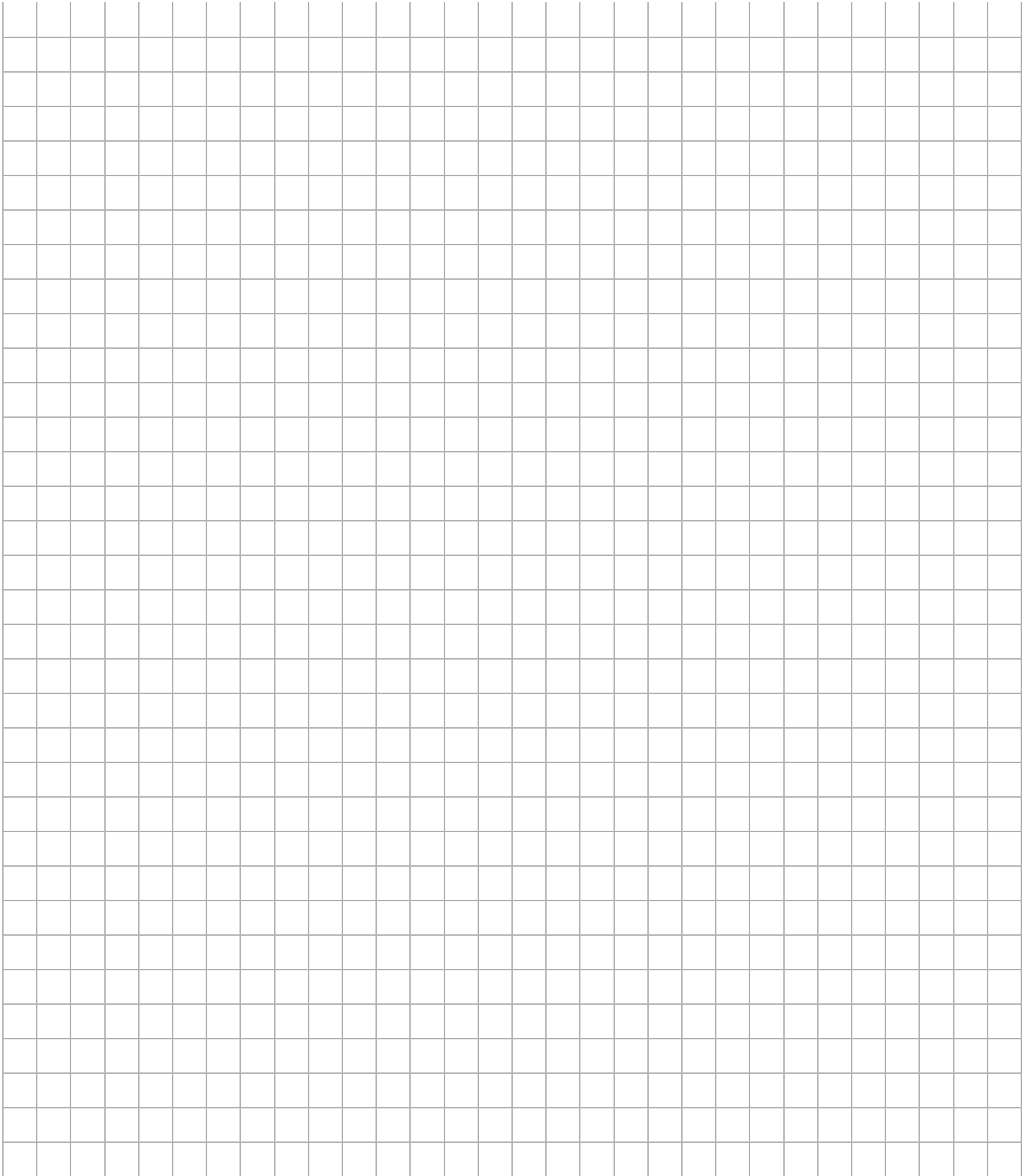
BATTERY DISPOSAL

Lead-acid batteries are recyclable. Return whole scrap batteries to distributor, manufacturer or lead smelter for recycling. For neutralized spills, place residue in acid-resistant containers with absorbent material, sand or earth and dispose of in accordance with local, state and federal regulations for acid and lead compounds. Contact local and/or state environmental officials regarding disposal information.

TABLE OF CONTENTS

SECTION	Page No.
HOW TO USE THE SERVICE PARTS MANUAL.....	v
ACCELERATOR.....	A - 1
BATTERY CHARGER.....	B - 1
BODY.....	C - 1
BRAKES.....	D - 1
PARKING BRAKE.....	E - 1
ELECTRICAL SYSTEM.....	F - 1
ELECTRONIC SPEED CONTROL.....	G - 1
FRONT SUSPENSION AND STEERING.....	H - 1
MOTOR.....	J - 1
REAR AXLE.....	K - 1
REAR SUSPENSION.....	L - 1
SEATING.....	M - 1
TRUCK BED.....	N - 1
WEATHER PROTECTION.....	P - 1
WHEELS AND TIRES.....	R - 1

NOTES

A large grid of graph paper for taking notes, consisting of 25 columns and 30 rows of small squares.

HOW TO USE THE SERVICE PARTS MANUAL

This manual is divided into several sections:

- GENERAL INFORMATION
- ILLUSTRATED PARTS BREAKDOWN
- APPENDIX

The first section, GENERAL INFORMATION, contains the following information:

- WARRANTY INFORMATION
- GENERAL INDEX
- HOW TO USE THE SERVICE PARTS MANUAL

The second section, ILLUSTRATED PARTS BREAKDOWN, contains illustrations and parts lists for all systems of your vehicle.

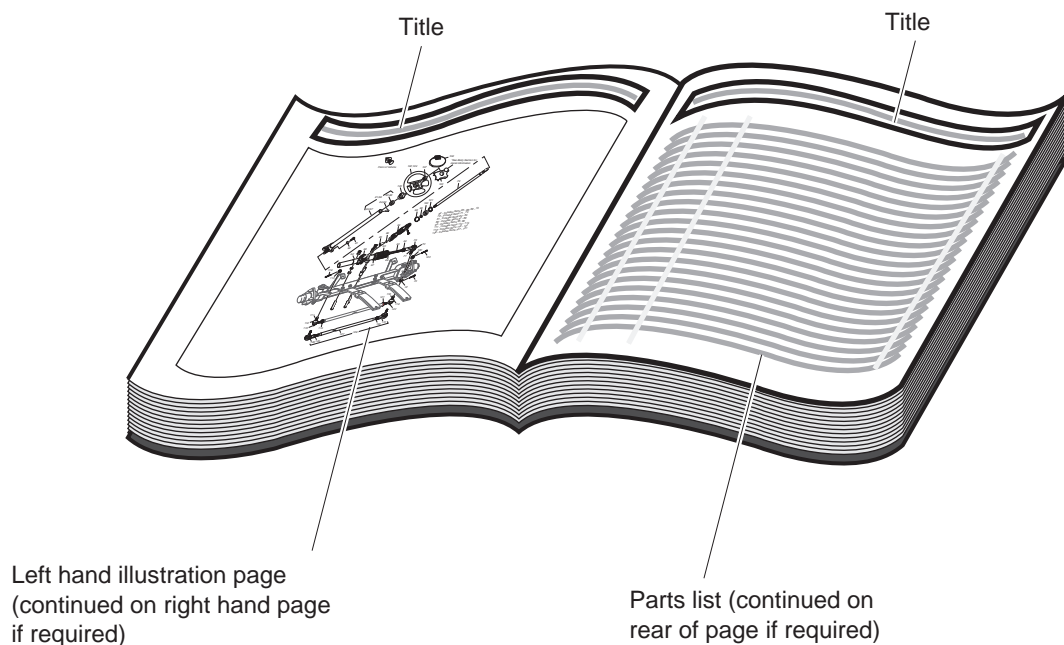
The third section, APPENDIX, contains a listing of specialty products and accessories.

USE OF THE MANUAL

To use this manual, consult the GENERAL INDEX to locate the information or illustration required.

Introduction of some revisions varies due to supply of components; therefore, it is possible that various combinations of components may be found that are not directly reflected by each illustration. Consult the illustration that best suits your situation and then contact the Service Parts Department. It is important that the serial number of your vehicle and its model number be supplied to Service Parts when ordering any replacement components.

Locate the serial number plate (see BODY located in the Illustrated Parts Breakdown section of this manual for its location) and note the complete number shown on the plate.



HOW TO USE THE SERVICE PARTS MANUAL

1. WHEN THE PART NUMBER IS NOT KNOWN

- Determine the function and application of the part required. Turn to the General Index and select the most appropriate title.
- Turn to the page number indicated and locate the desired part on the illustration.
- From the illustration, obtain the item number assigned to the desired part. Refer to the accompanying description for specific information regarding the part.

2. IF YOU KNOW THE PART NUMBER

- Locate the part number or description in the appropriate column on the parts list page.

NOTE: It is suggested that you confirm that the part selected is correct by verifying it with the pictorial representation on the illustrated page.

Should an asterisk (*) appear in the part number column on the parts list page, read upwards until a part number is found. The part number is the lowest assembly sold by Service Parts and the asterisk (*) indicates that the part depicted is not available for purchase.

NOTE: Descriptions are indented under the assembly that they are used on. That assembly is, in turn listed under the assembly that it is used on. This process is repeated until the highest final assembly is reached.

To facilitate the maintenance and repair of the vehicle, a Technician's Repair and Service Manual is available from the Service Parts Department.

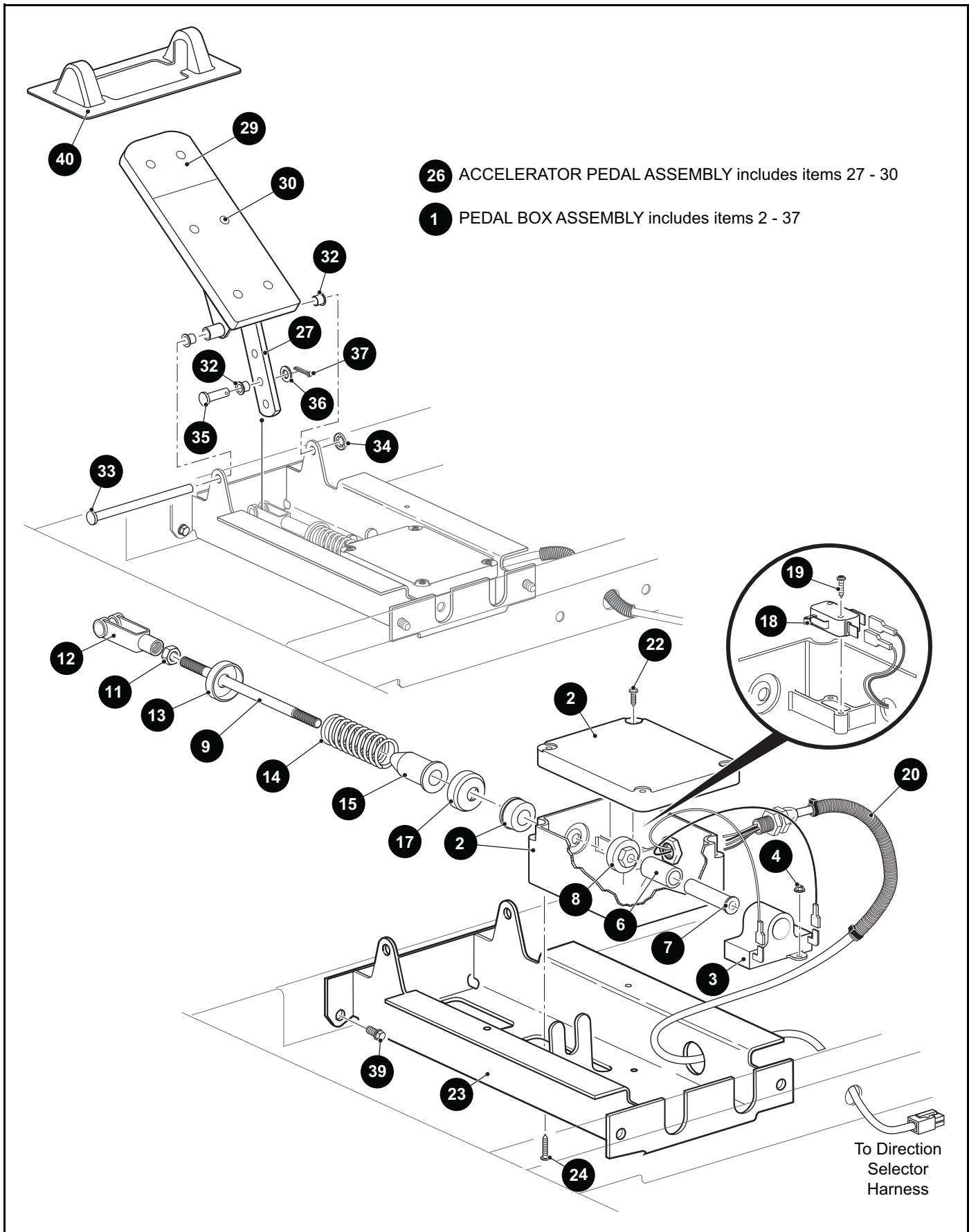
HOW TO USE THE SERVICE PARTS MANUAL

3. COLOR CODE FOR BODY COMPONENTS

The last two digits of the part number for the body part will denote the color code. Locate the part number for the cowl, rear body, seat pod, side panel or seat wrap then locate your color in the list below. Replace the last ** or XX with the two digit color code.

<u>CODE #</u>	<u>DESCRIPTION</u>	<u>CODE #</u>	<u>DESCRIPTION</u>
01	NO PAINT	53	MOSSY OAK NEW BREAK UP - DIPPED
02	SPECIAL COLOR	54	MOSSY OAK OBSESSION - DIPPED
05	JACOBSEN ORANGE	55	REALTREE ADVANTAGE MAX 4 - DIPPED
06	LIGHT GOLD PEARL	56	REALTREE HARDWOOD BROWN - DIPPED
07	SILVER PEARL METALLIC	57	REALTREE AP HOT PINK - DIPPED
11	BLACK	58	BLACK / SILVER MARBLE - DIPPED
12	EMERALD GREEN PEARL	59	RED / SILVER MARBLE - DIPPED
13	CLOUD GRAY	60	HOT PINK / SILVER MARBLE - DIPPED
14	VIPER BLUE METALLIC	61	REALTREE AP
19	PATRIOT BLUE PEARL	62	REALTREE MAX 4
20	INFERNO RED METALLIC	63	MOSSY OAK BREAKUP
23	ADVANTAGE CLASSIC CAMO	64	MOSSY OAK TREESTAND
24	NATURAL	65	REALTREE APG
25	VIVID NEW HOLLAND BLUE	66	REALTREE MAX 1
26	STEEL BLUE PEARL	67	REALTREE AP PINK
27	BRIGHT SILVER METALLIC	68	REALTREE AP - DIPPED
29	PRIMER ONLY	69	MONSTER GREEN
30	HD ADVANTAGE CAMO	74	BARLEY GOLD
31	METALLIC CHARCOAL	75	OASIS GREEN
32	LIGHT ALMOND PEARL	76	JAVA BROWN
33	TIMBERLINE GREEN		
34	DEEP MOLTEN RED		
35	SAFETY YELLOW		
36	IVORY		
37	FOREST GREEN		
38	BRIGHT WHITE		
39	FLAME RED		
40	BLACK		
41	ELECTRIC BLUE		
42	PLATINUM		
43	BURGUNDY		
44	ALMOND		
45	BLACK		
46	FLAME RED		
47	BURLINGTON GREEN		
48	BLACK		
49	FLAME RED		
50	RECON GREEN		
51	SUNBURST ORANGE		
52	BRITISH RACING GREEN		

ACCELERATOR



When ordering parts, please specify the model and serial number of the product.

* Indicates a component that is not available as an individual part.

*** Indicates consult Customer Service Department for additional information.

ITEM	PART NO.	1 2 3 4 5	DESCRIPTION	QTY.
1	626530		PEDAL BOX ASSEMBLY (INCLUDES ITEMS 2 - 37)	1
2	25853G01		PEDAL BOX AND COVER (SEAL AND BEARING)	1
3	25854G01		INDUCTIVE THROTTLE SENSOR	1
4	00983G01		SELF THREADING NUT, 3/16"	2
5				
6	25857G01		PLUNGER SLEEVE	1
7	28443G01		PLUNGER	1
8	28444G01		PLUNGER CAM	1
9	73332G01		ACCELERATOR ROD	1
10				
11	00532G4		LOCK NUT, 5/16" - 24	1
12	10385G4		YOKE (ADJUSTABLE)	1
13	17677G2		SPRING RETAINER, 3/8"	1
14	73046G01		COMPRESSION SPRING	1
15	17979G1		ACCELERATOR ROD BUSHING	1
16				
17	17677G1		SPRING RETAINER, 1/2"	1
18	25861G02		MICRO SWITCH	1
19	01050G01		PAN HEAD SCREW, #4 - 20 X 5/8" LG	2
20	626529		WIRING HARNESS (PEDAL BOX ASSEMBLY)	1
21				
22	00684G6		PHILLIPS SCREW, #8 - 32 X 3/4" LG	2
23	652241G03		ACCELERATOR PEDAL BRACKET	1
24	01051G01		PAN HEAD PHILLIPS SCREW, #8 - 16 X 1/2" LG	4
25				
26	25799G03		ACCELERATOR PEDAL ASSEMBLY (INCLUDES ITEMS 27 - 30)	1
27	70125G04		ACCELERATOR PEDAL	1
28				
29	27512G01		ACCELERATOR PEDAL PAD	1
30	16409G1		OVAL RIVET 3/16" X 7/16"	6
31				

ACCELERATOR

When ordering parts, please specify the model and serial number of the product.

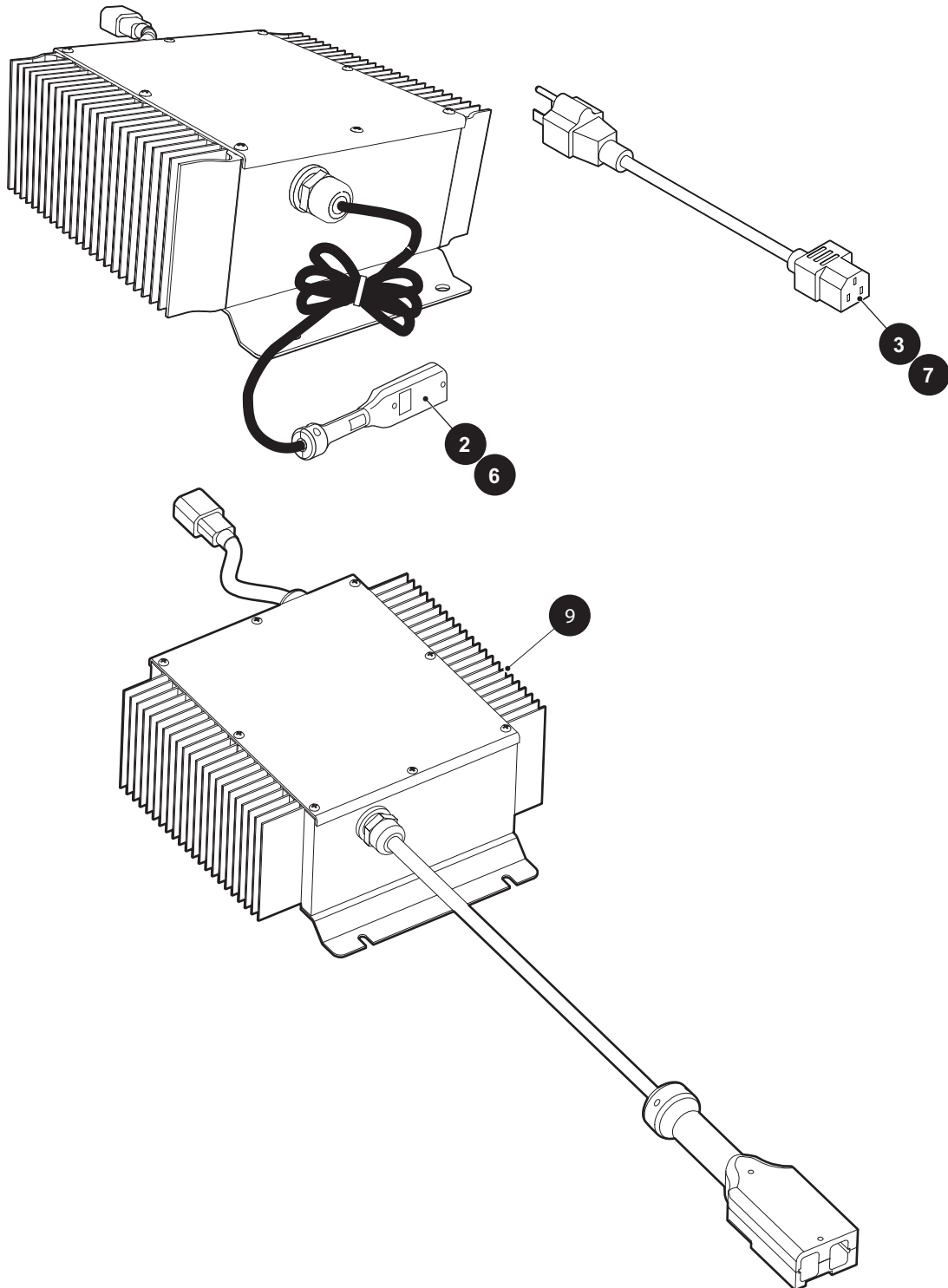
* Indicates a component that is not available as an individual part.

*** Indicates consult Customer Service Department for additional information.

ITEM	PART NO.	1	2	3	4	5	DESCRIPTION	QTY.
32	17838G1						BUSHING.....	3
33	74432G01						PEDAL PIVOT PIN.....	1
34	12064G6						PUSHNUT, 9/32" I.D.	1
35	10386G3						CLEVIS PIN, 5/16" X 13/16"	1
36	17255G1						TEFLON WASHER, 5/16"	1
37	10387G3						COTTER PIN, 3/32" X 3/4"	1
38								
39	00715G2						HEX HEAD BOLT, 5/16" - 18 X 13/16" LG	4
40	70135G01						PEDAL PIVOT COVER	1

BATTERY CHARGER

- 1 48V BATTERY CHARGER WITH 10' DC CORD includes items 2 - 3
- 5 48V BATTERY CHARGER WITH 18' DC CORD includes items 6 - 7



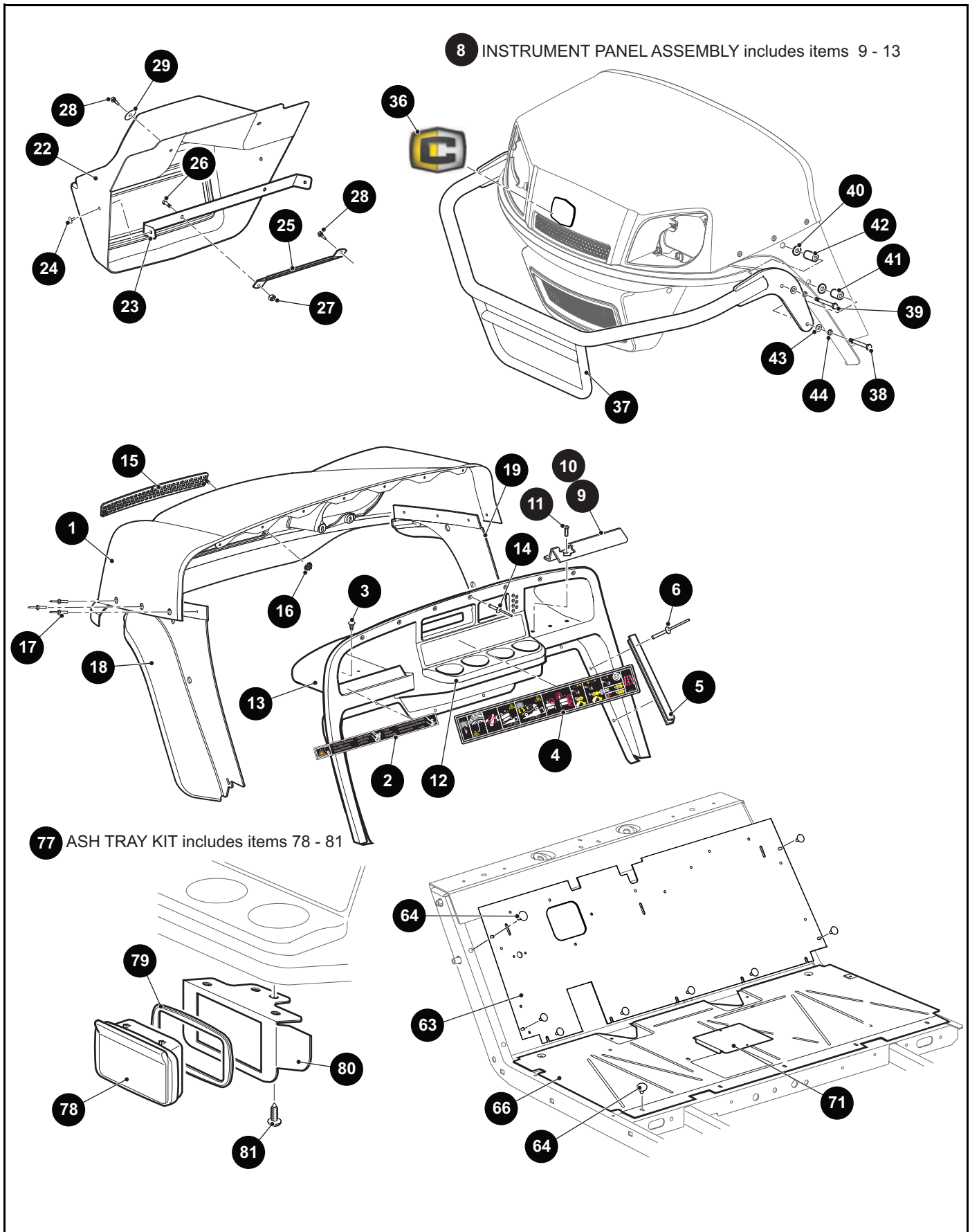
BATTERY CHARGER

When ordering parts, please specify the model and serial number of the product.

* Indicates a component that is not available as an individual part.

*** Indicates consult Customer Service Department for additional information.

ITEM	PART NO.	1 2 3 4 5	DESCRIPTION	QTY.
1	603689		48V BATTERY CHARGER WITH 10' DC CORD (INCLUDES ITEMS 2 - 3) ..	1
2	600463G01		DC CABLE ASSEMBLY, 10'	1
3	600462G01		AC POWER CORD	1
4				
5	603690		48V BATTERY CHARGER WITH 18' DC CORD (INCLUDES ITEMS 6 - 7) ..	1
6	600463G03		DC CABLE ASSEMBLY, 18'	1
7	600462G01		AC POWER CORD	1
8				
9	649420		48V BATTERY CHARGER, 48V, 3 METER CORD	1



When ordering parts, please specify the model and serial number of the product.

* Indicates a component that is not available as an individual part.

*** Indicates consult Customer Service Department for additional information.

ITEM	PART NO.	1 2 3 4 5	DESCRIPTION	QTY.
1	613036G**		COWL (SEE COLOR CODES IN HOW TO USE SECTION).....	1
2	74443G01		ANTI-ROLLBACK DECAL.....	1
3	16816G2		RATCHET FASTENER, 1/4" X 3/4" LG.....	4
4	601781		OPERATOR INSTRUCTION LABEL.....	1
5	71115G01		VINYL TRIM	2
6	71055G01		RIVET, 3/16" X 1" LG (3/8" GRIP).....	4
7				
8	71151G01		INSTRUMENT PANEL ASSEMBLY (INCLUDES ITEMS 9 - 13).....	1
9	71153G01		DEFLECTOR (PASSENGER SIDE).....	1
10	71154G01		DEFLECTOR (DRIVER SIDE).....	1
11	00614G3		PAN HEAD PHILLIPS SCREW, #8 - 15 X 3/8" LG.....	4
12	71158G01		INSTRUMENT PANEL INSERT (FOUR CUP)	1
13	71152G01		INSTRUMENT PANEL.....	1
14	71055G01		RIVET, 3/16" X 1" LG (3/8" GRIP).....	7
15	617643		GRILL COVER	1
16	71597G01		SELF THREADING NUT, 5MM X 10MM X 15MM	2
17	71055G01		RIVET, 3/16" X 1" LG (3/8" GRIP).....	6
18	614378		FENDER FLARE (DRIVER SIDE)	1
19	613274		FENDER FLARE (PASSENGER SIDE).....	1
20				
21				
22	613273		FRONT FASCIA.....	1
23	654275		FASCIA BRACKET.....	1
24	15058G1		RIVET (ALUMINUM) (BLACK), 3/16" X 0.45" (1/4" GRIP)	2
25	654276		FRONT SHIELD BRACE	2
26	300646		HEX HEAD BOLT, 1/4" - 20 X 3/4" LG	2
27	14390G4		LOCK NUT, 1/4" - 20.....	2
28	01038G01		FLANGED HEX HEAD THREAD FORMING BOLT, 1/4" - 20 X 3/4" LG	4
29	16469G1		FENDER WASHER, 1 1/4" O.D. X 9/32" I.D.....	2
30				
31				

BODY

When ordering parts, please specify the model and serial number of the product.

* Indicates a component that is not available as an individual part.

*** Indicates consult Customer Service Department for additional information.

ITEM	PART NO.	1	2	3	4	5	DESCRIPTION	QTY.
32								
33								
34								
35								
36	619135						CUSHMAN COWL DECAL.....	1
37	617620						BRUSHGUARD.....	1
38	00440G2						HEX HEAD BOLT, 5/16" - 18 X 2 1/4" LG.....	2
39	00440G6						HEX HEAD BOLT, 5/16" - 18 X 2 3/4" LG.....	2
40	00570G2						FLAT WASHER, 5/16".....	4
41	75048G04						SPACER, 1" LG.....	2
42	75048G02						SPACER, 1 5/16" LG.....	2
43	00559G8						FLAT WASHER (NARROW), 5/16".....	4
44	00565G8						LOCK WASHER, 5/16".....	4
45								
46								
47								
48								
49								
50								
51								
52								
53								
54								
55								
56								
57								
58								
59								
60								
61								
62								

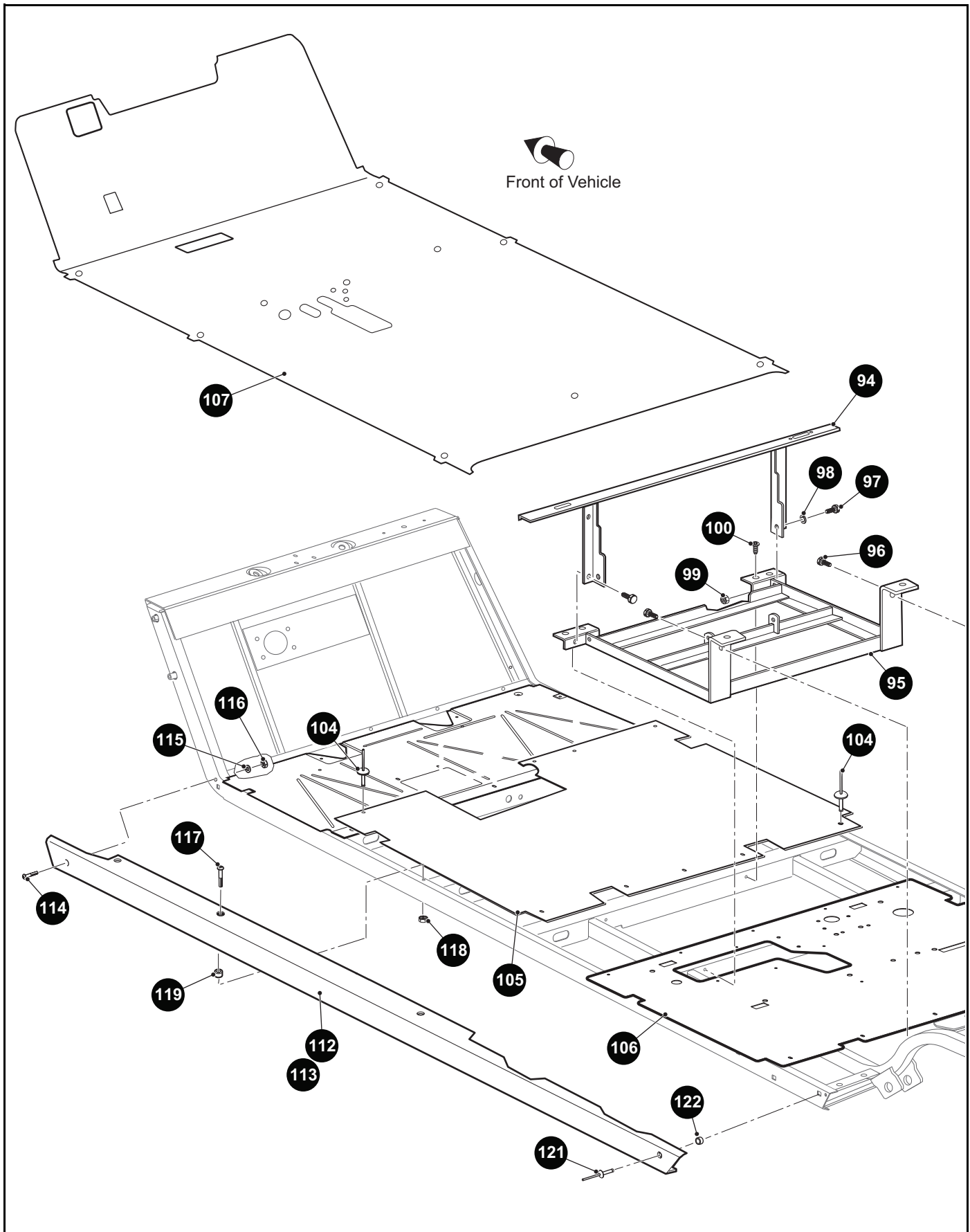
When ordering parts, please specify the model and serial number of the product.

* Indicates a component that is not available as an individual part.

*** Indicates consult Customer Service Department for additional information.

ITEM	PART NO.	1 2 3 4 5	DESCRIPTION	QTY.
63	637534		UPPER FLOORPAN	1
64	14601G11		RIVET (ALUMINUM), 3/16" X 9/16" LG	17
65				
66	626492		LOWER FLOORPAN	1
67				
68				
69				
70				
71	70452G01		ACCESS COVER.....	1
72				
73				
74				
75				
76				
77	75109G04		ASH TRAY KIT (INCLUDES ITEMS 78 - 81)	1
78	27731G01		ASH TRAY	1
79	27736G01		GASKET	1
80	75108G02		BRACKET.....	1
81	00106G6		PAN HEAD PHILLIPS SCREW, #12 - 14 X .75" LG.....	4
82				
83				
84				
85				
86				
87				
88				
89				
90				
91				
92				
93				

BODY

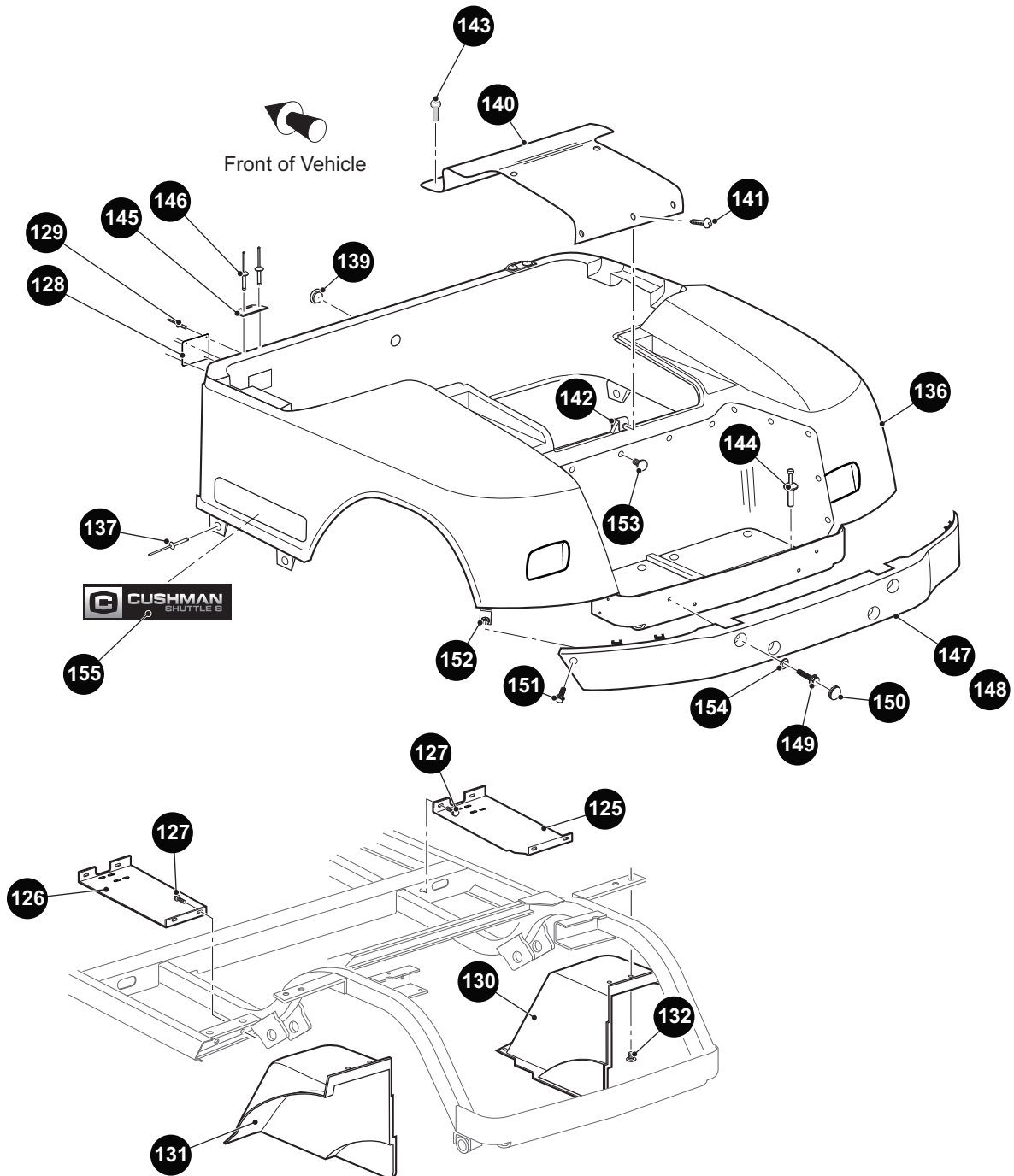


When ordering parts, please specify the model and serial number of the product.

* Indicates a component that is not available as an individual part.

*** Indicates consult Customer Service Department for additional information.

ITEM	PART NO.	1 2 3 4 5	DESCRIPTION	QTY.
94	70441G01		SEAT FRAME	1
95	652254G03		BATTERY RACK.....	1
96	00715G2		HEX HEAD BOLT, 5/16" - 18 X 13/16" LG	4
97	00438G6		HEX HEAD BOLT, 5/16" - 18 X 3/4" LG	2
98	00559G8		FLAT WASHER, 5/16".....	2
99	11098G6		LOCK NUT, 5/16" - 18.....	2
100	70200G01		TRUSS HEAD TORX BOLT, 3/8" - 16 X 3/4" LG	2
101				
102				
103				
104	10570G10		DOMED RIVET (SS), 5/32" X 9/16" LG	10
105	626493		MID FLOOR PANEL.....	1
106	648840		REAR FLOOR PANEL	1
107	626499		FLOORMAT	1
108				
109				
110				
111				
112	626497		ROCKER PANEL (DRIVER SIDE)	1
113	626498		ROCKER PANEL (PASSENGER SIDE)	1
114	00789G2		TRUSS HEAD PHILLIPS SCREW (SS), #10 - 24 X 1" LG.....	2
115	00660G5		FLAT WASHER, #10	2
116	14390G10		LOCK NUT, #10 - 24	2
117	16705G1		TRUSS HEAD PHILLIPS SCREW (SS), 1/4" - 20 X 1" LG.....	6
118	14390G4		LOCK NUT, 1/4" - 20.....	6
119	23726G4		SPACER, 5/16"	6
120				
121	15058G6		RIVET (ALUMINUM), 3/16" X 15/16" LG	2
122	23726G4		SPACER, 5/16"	2
123				
124				



134 Rear Body Assembly W/Lights, includes items 135 & 136

When ordering parts, please specify the model and serial number of the product.

* Indicates a component that is not available as an individual part.

*** Indicates consult Customer Service Department for additional information.

ITEM	PART NO.	1 2 3 4 5	DESCRIPTION	QTY.
125	652443G203		BATTERY TRAY (PASSENGER SIDE).....	1
126	652443G103		BATTERY TRAY (DRIVER SIDE)	1
127	00715G2		HEX HEAD BOLT, 5/16" - 18 X 0.80" LG	8
128	73173G02		COVER PLATE (FOR VEHICLES MANUFACTURED FROM MARCH 2014)	1
129	71055G01		RIVET (ALUMINUM), 3/16" X 1" (FOR VEHICLES MANUFACTURED FROM MARCH 2014).....	4
130	635054G02		FENDER LINER (PASSENGER SIDE).....	1
131	635054G01		FENDER LINER (DRIVER SIDE)	1
132	16816G2		RATCHET FASTENER	8
133				
134	625272G1XX		REAR BODY ASSEMBLY W/LIGHTS (INCLUDES ITEMS 135 & 136) (SEE COLOR CODES IN HOW TO USE SECTION) (FOR VEHICLES MANUFACTURED FROM MARCH 2014).....	1
135	624374		BAGWELL LINER (NOT ILLUSTRATED) (FOR VEHICLES MANUFACTURED FROM MARCH 2014)	1
136	619752G1XX		REAR BODY (WITH LIGHTS) (See COLOR CODE in HOW TO USE section) (FOR VEHICLES MANUFACTURED FROM MARCH 2014)	1
137	10570G12		RIVET (ALUMINUM), 1/4" X 9/16" LG	2
138				
139	71316G01		PLUG	1
140	71320G01		ACCESS PANEL.....	1
141	01107G01		PAN HEAD TORX SCREW, #8 X 5/8" LG	5
142	71364G02		J CLIP	1
143	16816G2		RATCHET RIVET, .25" X .887" LG (FOR VEHICLES MANUFACTURED FROM MARCH 2014).....	2
144	633917		DRIVE RIVET (PLASTIC), .625" X 1" LG (FOR VEHICLES MANUFACTURED FROM MARCH 2014).....	2
145	71609G01		HINGE PLATE.....	2
146	10570G11		DOMED RIVET (SS), 3/16" X 3/4" LG	4
147	71451G02		REAR BUMPER.....	1
148	71456G01		REAR BUMPER (FOR VEHICLES WITH CARGO BED OPTION)	1
149	71102G01		HEX HEAD BOLT, 1/4" - 20 X 3/4" LG	2
150	71455G01		BUMPER PLUG.....	4

BODY

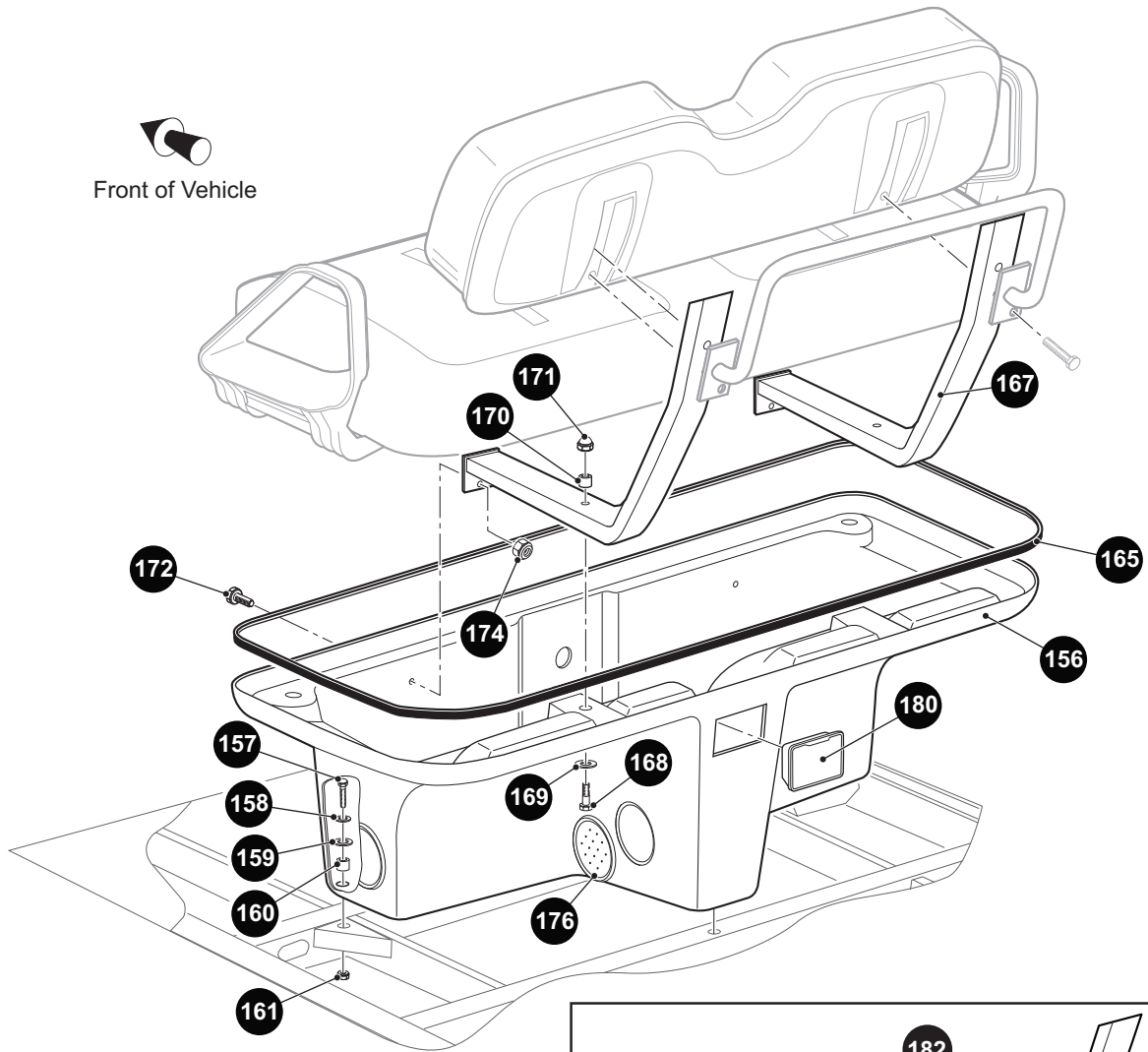
When ordering parts, please specify the model and serial number of the product.

* Indicates a component that is not available as an individual part.

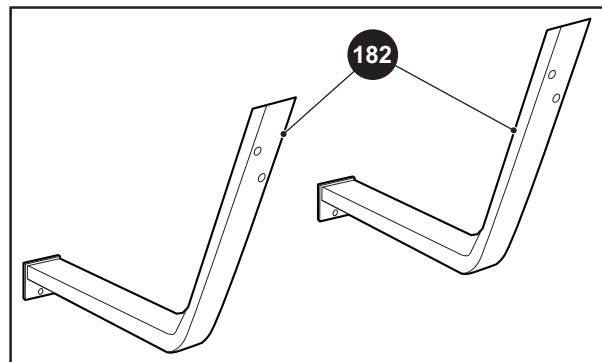
*** Indicates consult Customer Service Department for additional information.

ITEM	PART NO.	1 2 3 4 5	DESCRIPTION	QTY.
151	71102G01		HEX HEAD BOLT, 1/4" - 20 X 3/4" LG.....	2
152	71554G01		J - TYPE NUT RETAINER, 1/4" - 20.....	2
153	8436G1		DRIVE RIVET (PLASTIC), 1/4" X 9/16" LG	2
154	00571G2		FLAT WASHER, 5/16"	2
155	*		CUSHMAN LOGO DECAL	1

FOR SEAT BOTTOM AND BACK - SEE SEATING SECTION



**EARLY PRODUCTION
VEHICLES**



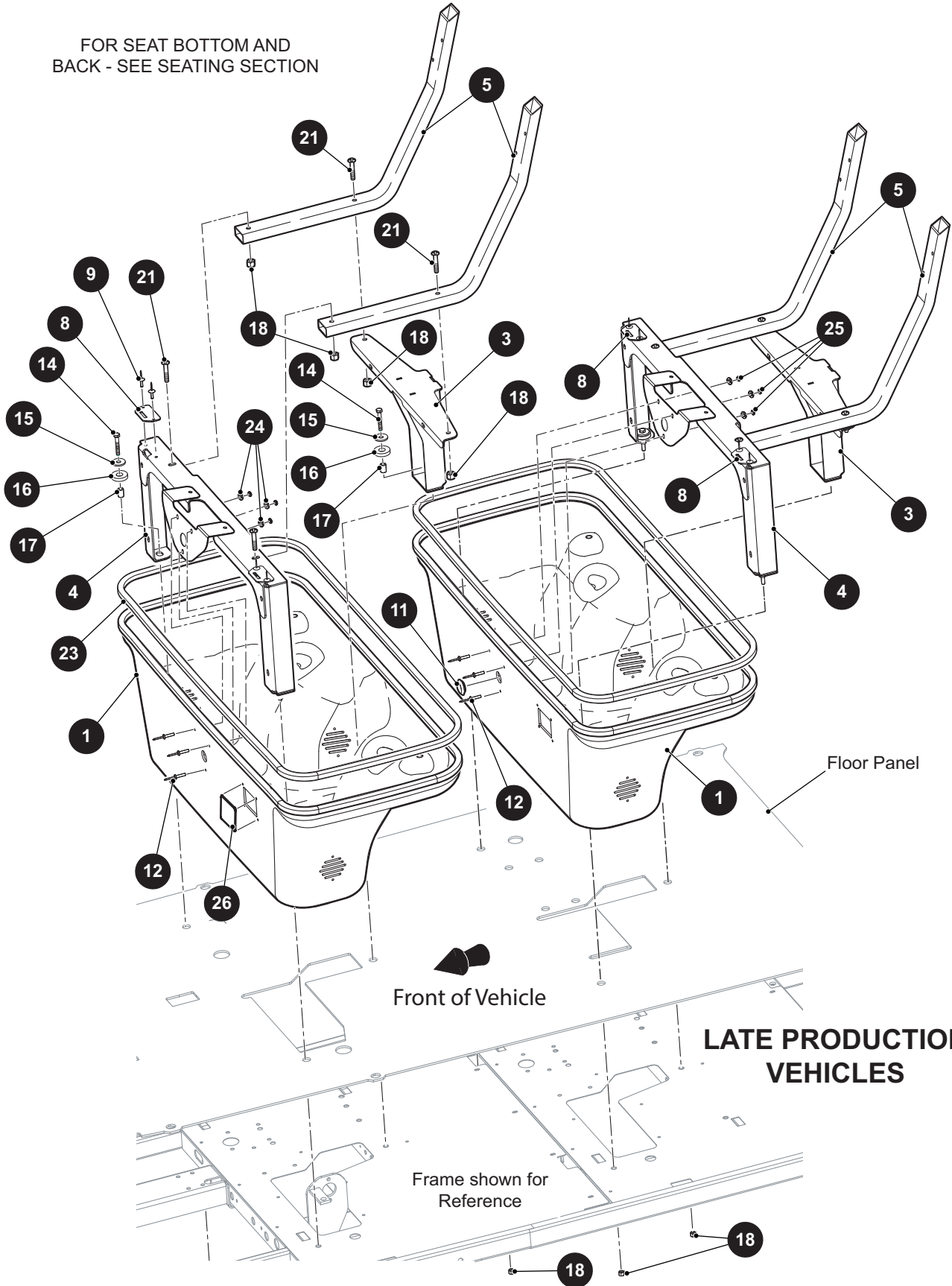
When ordering parts, please specify the model and serial number of the product.

* Indicates a component that is not available as an individual part.

*** Indicates consult Customer Service Department for additional information.

ITEM	PART NO.	1 2 3 4 5	DESCRIPTION	QTY.
156	70836GXX		SEAT POD (SEE COLOR CODES IN HOW TO USE SECTION)	2
157	00439G8		HEX HEAD BOLT, 5/16" - 18 X 2" LG	6
158	00675G1		FLAT WASHER (SS), 1 1/4" O.D. X 3/8" I.D.....	5
159	71883G01		RUBBER WASHER, 1 1/2" O.D. X 5/8" I.D.....	6
160	23726G9		SPACER, 3/4"	6
161	11098G6		LOCK NUT (SS), 5/16" - 18	6
162	71055G01		RIVET, 3/16" X 1" LG	6
163				
164				
165	32805G6		TRIM, 118" LG	2
166				
167	626576		SEAT BACK BRACKET	4
168	00427G8		HEX HEAD BOLT, 3/8" - 16 X 2" LG	4
169	00675G1		FLAT WASHER (SS), 1 1/4" O.D. X 3/8" I.D.....	5
170	23726G4		SPACER, 5/16"	4
171	15717G5		CROWN NUT, 3/8" - 16.....	4
172	00976G06		TRUSS HEAD PHILLIPS SCREW (SS), 5/16" - 18 X 3/4" LG.....	4
173				
174	11098G6		LOCK NUT (SS), 1/4" - 20	4
175				
176	71599G01		VENT PLUG.....	8
177				
178				
179				
180	27731G01		FLUSH MOUNT ASH TRAY.....	1
181				
182	71868G01		SEAT BACK SUPPORT WELDMENT	2

FOR SEAT BOTTOM AND
BACK - SEE SEATING SECTION



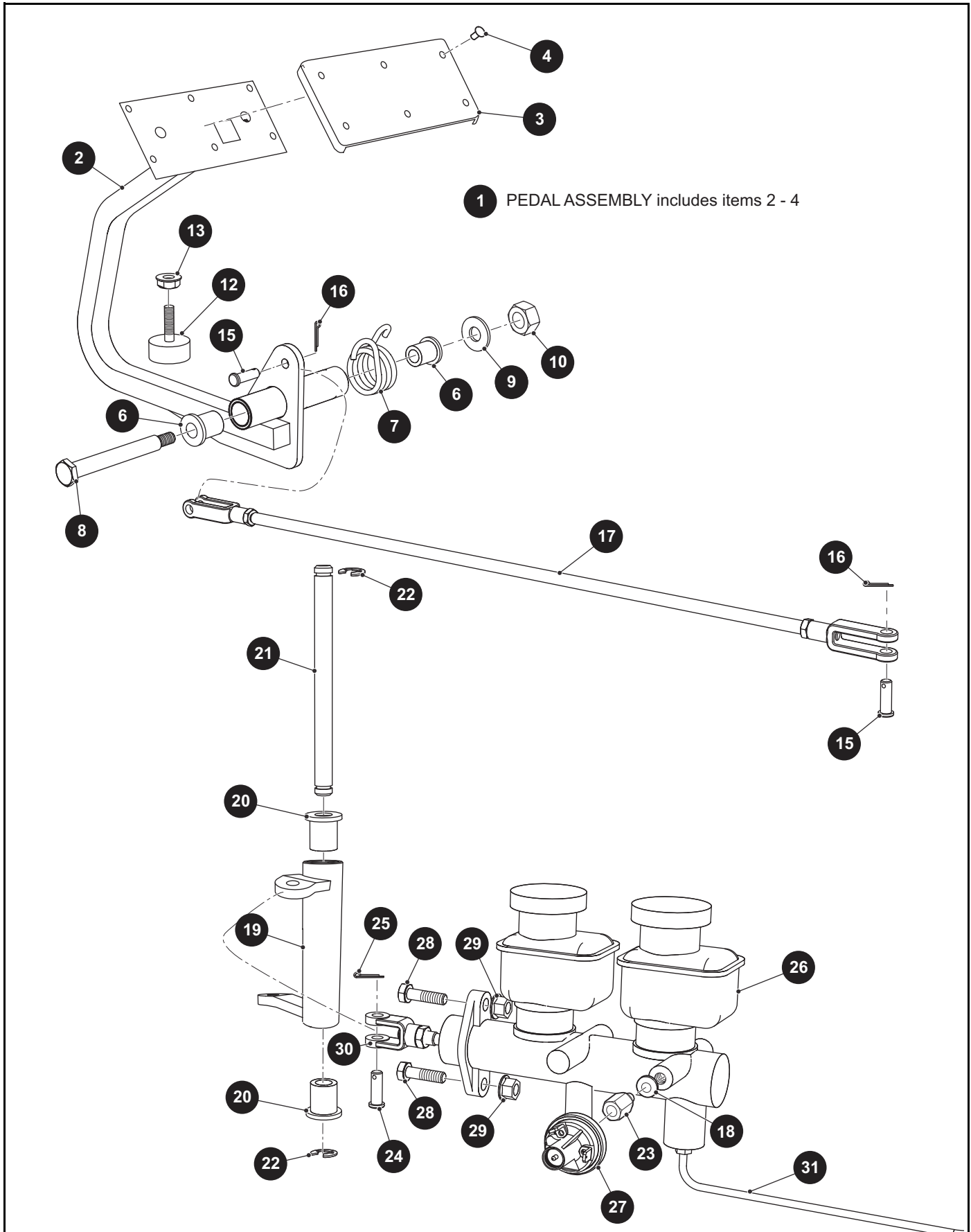
When ordering parts, please specify the model and serial number of the product.

* Indicates a component that is not available as an individual part.

*** Indicates consult Customer Service Department for additional information.

ITEM	PART NO.	1 2 3 4 5	DESCRIPTION	QTY.
1	648313GXX		SEAT POD	2
2				
3	648507		REAR SEAT SUPPORT	2
4	654767		SEAT SUPPORT	2
5	648523		SEAT BACK SUPPORT TUBE	4
6				
7				
8	71609G01		HINGE PLATE.....	4
9	10570G11		RIVET (SS), 3/16" X .70" LG.....	8
10				
11	71316G01		PLUG	1
12	71055G01		RIVET (ALUMINUM), 3/16" X 1" LG	6
13				
14	00439G8		HEX HEAD BOLT (SS), 5/16" - 18 X 2" LG	6
15	00675G1		FLAT WASHER (SS), .398" I.D. X 1.25" O.D. X .115" LG.....	6
16	71883G01		FLAT WASHER (RUBBER), .625" I.D. X 1.50" O.D. X .312" LG	6
17	23726G9		SPACER, .312" I.D. X .562" O.D. X .750" LG	6
18	11098G6		LOCK NUT, 5/16" - 18.....	14
19				
20				
21	00762G6		TRUSS HEAD PHILLIPS SCREW (SS), 5/16" - 18 X 3/4" LG.....	8
22				
23	32805G6		TRIM, 118" LG	2
24	00660G5		FLAT WASHER, #10	6
25	01110G01		FLAT WASHER, 1/4"	6
26	666066		RECEPTACLE COVER.....	1

HYDRAULIC BRAKES



HYDRAULIC BRAKES

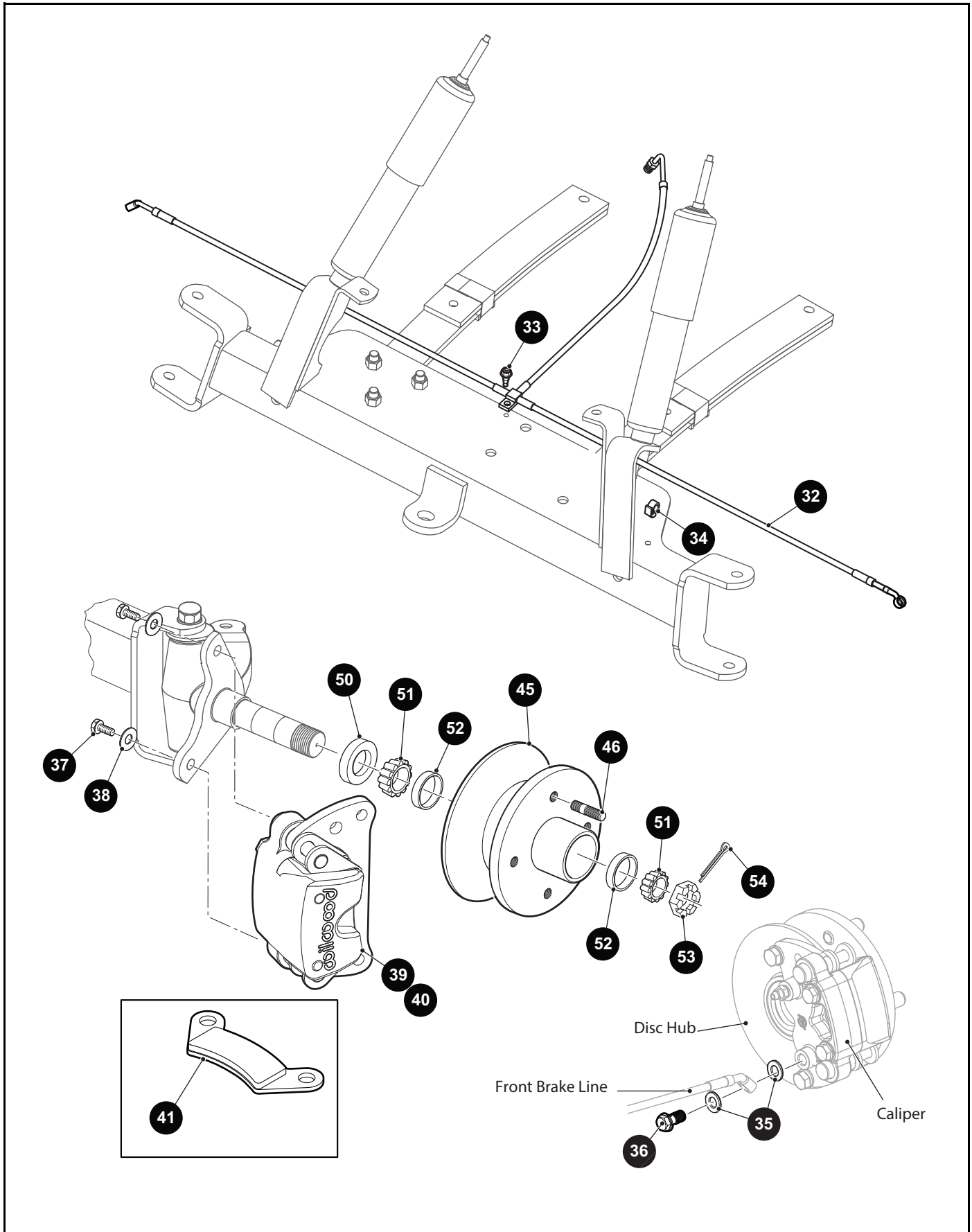
When ordering parts, please specify the model and serial number of the product.

* Indicates a component that is not available as an individual part.

*** Indicates consult Customer Service Department for additional information.

ITEM	PART NO.	1 2 3 4 5	DESCRIPTION	QTY.
1	610639		BRAKE PEDAL ASSEMBLY (INCLUDES ITEMS 2 - 4).....	1
2	75605G01		BRAKE PEDAL.....	1
3	70257G01		BRAKE PEDAL PAD.....	1
4	16409G1		OVAL HEAD RIVET, 3/8" X 15/32"	6
5				
6	70581G01		ACETAL BUSHING	2
7	70676G01		TORSION SPRING	1
8	70582G01		SHOULDER BOLT, 3/8" - 16.....	1
9	00643G1		FLAT WASHER, 3/8".....	1
10	11098G5		LOCK NUT, 3/8" - 16.....	1
11				
12	70113G01		ADJUSTABLE RUBBER BUMPER.....	1
13	11027G1		LOCK NUT, 5/16" - 18.....	1
14	12416G2		NYLON WEDGE LOCK CLAMP (NOT ILLUSTRATED).....	2
15	10386G3		CLEVIS PIN, 5/16" DIA X 13/16".....	2
16	10387G3		COTTER PIN, 15/16" X 3/4"	2
17	30295G8		LINKAGE ROD.....	1
18	600479		PRESSURE SEALING WASHER	1
19	70415G01		BELLCRANK.....	1
20	70581G01		ACETAL BUSHING	2
21	70410G01		PIVOT SHAFT.....	1
22	01111G01		RETAINING RING (SS).....	2
23	600401G01		ADAPTER	1
24	14443G3		CLEVIS PIN, 5/16" DIA X 1".....	1
25	10387G3		COTTER PIN, 15/16" X 3/4"	1
26	73793G01		TANDEM MASTER CYLINDER.....	1
27	620274		STOP LIGHT SWITCH.....	1
28	00439G1		HEX HEAD BOLT, 5/16" - 18 X 1 1/8" LG	2
29	800697		FLANGED LOCK NUT, 5/16" - 18.....	2
30	626513		PUSH ROD ASSEMBLY	1
31	626514		REAR BRAKE LINE	1

HYDRAULIC BRAKES



HYDRAULIC BRAKES

When ordering parts, please specify the model and serial number of the product.

* Indicates a component that is not available as an individual part.

*** Indicates consult Customer Service Department for additional information.

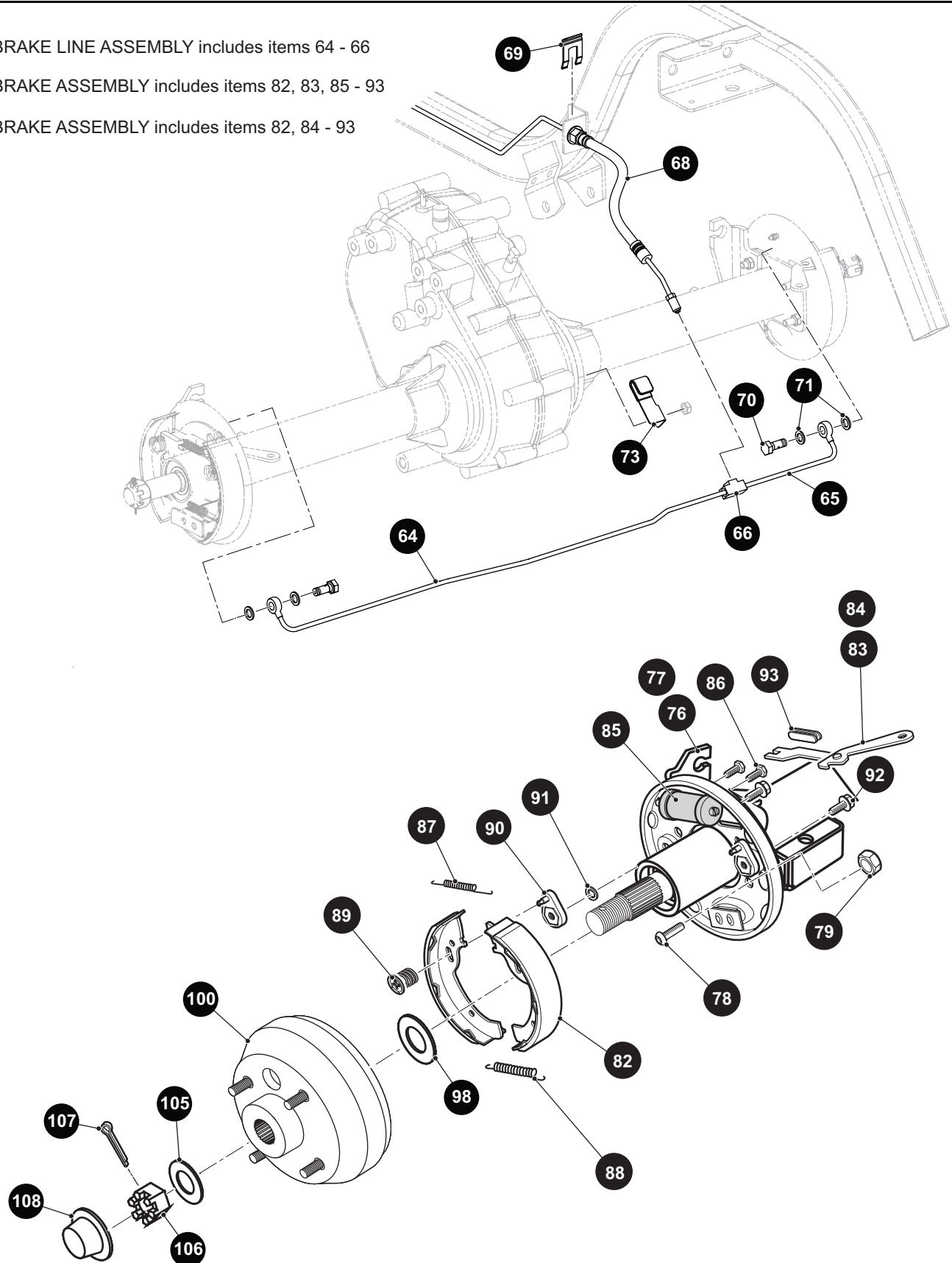
ITEM	PART NO.	1 2 3 4 5	DESCRIPTION	QTY.
32	632771		FRONT BRAKE LINE.....	1
33	01038G01		SWAGEFORM SCREW, 1/4" - 20 X .7" LG	1
34	74875G01		WIRE RETAINER.....	2
35	613293		CRUSH WASHER, M10.....	4
36	616459		BANJO BOLT, M10 - 1" X 20" LG	2
37	00426G6		HEX HEAD BOLT, 3/8" - 16 X 3/4" LG (GRADE 5).....	4
38	00566G1		LOCK WASHER, 3/8"	4
39	633918G01		CALIPER ASSEMBLY (PASSENGER SIDE).....	1
40	633918G02		CALIPER ASSEMBLY (DRIVER SIDE)	1
41	649167		BRAKE PAD.....	2
42				
43	74917G01		BRAKE PADS AND PINS SERVICE KIT (NOT ILLUSTRATED)	1
44				
45	630672		DISC BRAKE ROTOR AND HUB	2
46	74864G01		DRIVE FLANGE STUD.....	8
47				
48				
49				
50	25146G1		GREASE SEAL.....	2
51	11750G2		ROLLER BEARING.....	4
52	51141G1		BEARING RACE	4
53	12093G1		THIN SLOTTED NUT, 17/32".....	2
54	00798G8		COTTER PIN, 5/32" X 1 3/4"	2
55				
56				
57				
58				
59				
60				
61				
62				

HYDRAULIC BRAKES

63 BRAKE LINE ASSEMBLY includes items 64 - 66

80 BRAKE ASSEMBLY includes items 82, 83, 85 - 93

81 BRAKE ASSEMBLY includes items 82, 84 - 93



HYDRAULIC BRAKES

When ordering parts, please specify the model and serial number of the product.

* Indicates a component that is not available as an individual part.

*** Indicates consult Customer Service Department for additional information.

ITEM	PART NO.	1 2 3 4 5	DESCRIPTION	QTY.
63	620855		BRAKE LINE ASSEMBLY (INCLUDES ITEMS 64 - 66)	1
64	620857		LONG BRAKE LINE	1
65	620856		SHORT BRAKE LINE	1
66	820008		UNION TEE	1
67				
68	34989G01		FLEXIBLE BRAKE LINE (SS).....	1
69	11456G1		FLEX HOSE CLIP	1
70	75683G01		HEX HEAD BANJO BOLT, 3/8" - 16 X 0.88 LG	2
71	75684G01		COPPER GASKET	4
72				
73	75813G01		BRAKE LINE CLAMP.....	1
74				
75	17618G1		NYLON CLAMP (NOT ILLUSTRATED)	10
76	652249		BRAKE CABLE BRACKET (DRIVER SIDE).....	1
77	652248		BRAKE CABLE BRACKET (PASSENGER SIDE)	1
78	631224		SOCKET HEAD CAP SCREW, 5/16" - 24 X 1" LG	8
79	15126G1		LOCK NUT, 5/16" - 24.....	8
80	75685G01		BRAKE ASSEMBLY (DRIVER SIDE) (INCLUDES ITEMS 82, 83, 85 - 93) ...	1
81	75685G02		BRAKE ASSEMBLY (PASSENGER SIDE) (INCLUDES ITEMS 82, 84 - 93) .	1
82	75830G01		BRAKE SHOE	2
83	75829G01		PARK BRAKE WHEEL LEVER (DRIVER SIDE)	1
84	75829G02		PARK BRAKE WHEEL LEVER (PASSENGER SIDE).....	1
85	75828G01		WHEEL CYLINDER.....	1
86	*		WHEEL CYLINDER BOLT.....	2
87	*		UPPER RETURN SPRING	1
88	*		LOWER RETURN SPRING.....	1
89	*		CUP AND SPRING.....	2
90	*		ADJUSTER.....	2
91	*		FLAT WASHER	2
92	*		HEX HEAD BOLT, 1/4" - 28 X 1/2" LG.....	2
93	*		DUST COVER	1

HYDRAULIC BRAKES

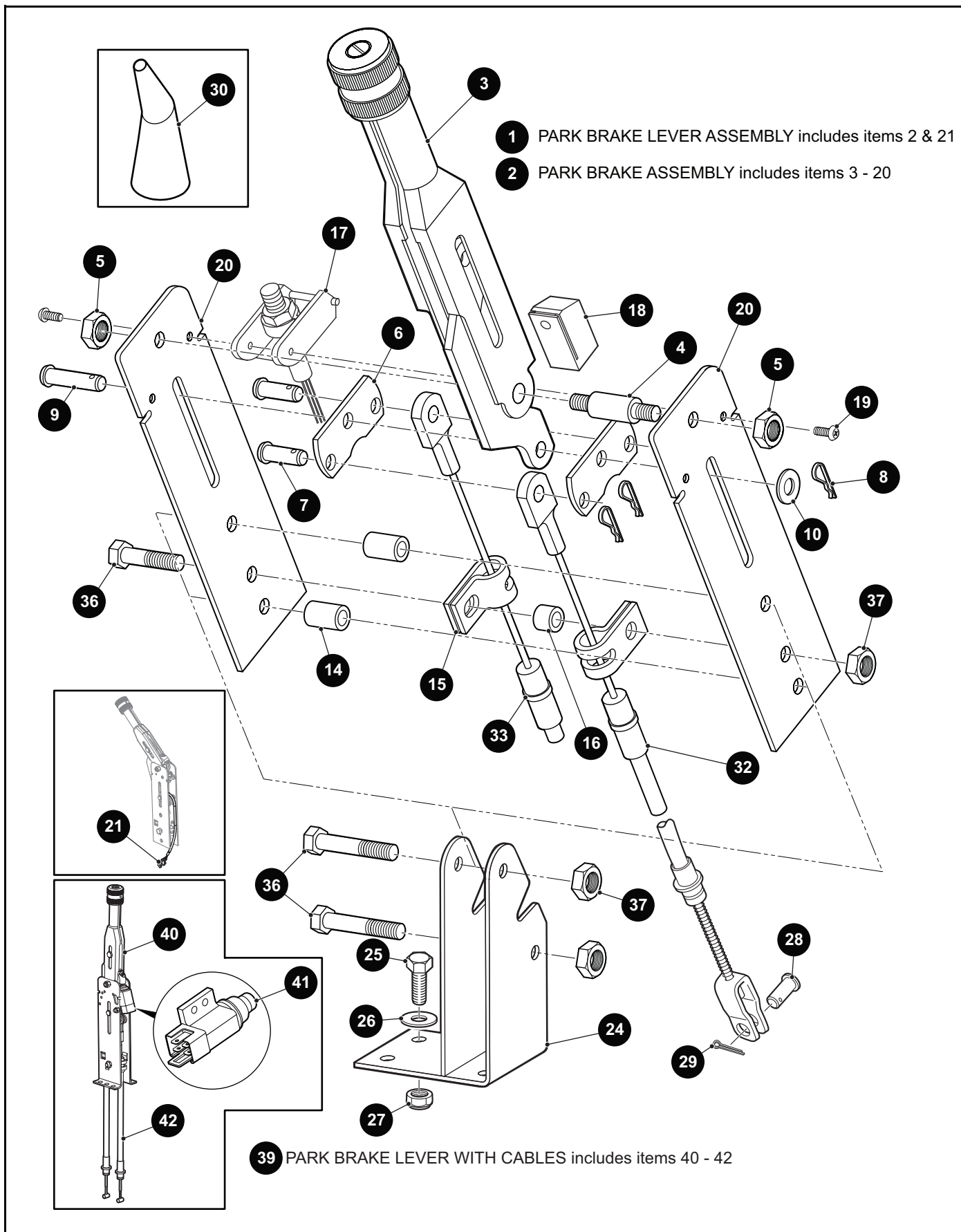
When ordering parts, please specify the model and serial number of the product.

* Indicates a component that is not available as an individual part.

*** Indicates consult Customer Service Department for additional information.

ITEM	PART NO.	1	2	3	4	5	DESCRIPTION	QTY.
94								
95								
96								
97								
98	21809G1						INNER BRAKE DRUM WASHER, 1.31" O.D. X 1" I.D. X .031"	2
99								
100	21807G2						BRAKE DRUM ASSEMBLY	2
101								
102								
103								
104								
105	21830G1						OUTER BRAKE DRUM WASHER, 1.50" O.D. X .76" I.D. X .119"	2
106	613172						CASTLE NUT, 3/4" - 16	2
107	10387G1						COTTER PIN, 1/8" X 1.50"	2
108	74175G01						MOLDED DUST CAP	2

PARKING BRAKE



PARKING BRAKE

When ordering parts, please specify the model and serial number of the product.

* Indicates a component that is not available as an individual part.

*** Indicates consult Customer Service Department for additional information.

ITEM	PART NO.	1 2 3 4 5	DESCRIPTION	QTY.
1	639883		PARK BRAKE LEVER ASSEMBLY (INCLUDES ITEMS 2 & 21)	1
2	626518		PARK BRAKE ASSEMBLY (INCLUDES ITEMS 3 - 20)	1
3	*		BRAKE LEVER ASSEMBLY	1
4	*		PIVOT FASTENER	1
5	*		PIVOT NUT	2
6	*		CONNECTING LINK	2
7	*		CLEVIS PIN	2
8	*		HAIR PIN OR COTTER PIN	3
9	*		CLEVIS PIN	1
10	*		FLAT WASHER	1
11				
12				
13				
14	*		SPACER.....	2
15	*		CLAMP	2
16	*		SPACER.....	1
17	*		MAGNETIC SWITCH ASSEMBLY	1
18	*		MAGNET ASSEMBLY	1
19	*		PHILLIPS HEAD SCREW	2
20	*		SIDE PLATE.....	2
21	17064G1		PUSH ON TERMINAL (FEMALE)	2
22				
23				
24	616446		MOUNTING BRACKET.....	1
25	00414G7		HEX HEAD BOLT, 1/4" - 20 X 1/2" LG	4
26	00559G7		FLAT WASHER, 1/4"	4
27	14390G4		LOCK NUT, 1/4" - 20	4
28	14443G3		CLEVIS PIN, 1.0" X 2.406"	2
29	10387G3		COTTER PIN, .094" X .75"	2
30	627940		PARKING BRAKE BOOT	1
31	17618G1		NYLON CLAMP (NOT ILLUSTRATED)	8

PARKING BRAKE

When ordering parts, please specify the model and serial number of the product.

* Indicates a component that is not available as an individual part.

*** Indicates consult Customer Service Department for additional information.

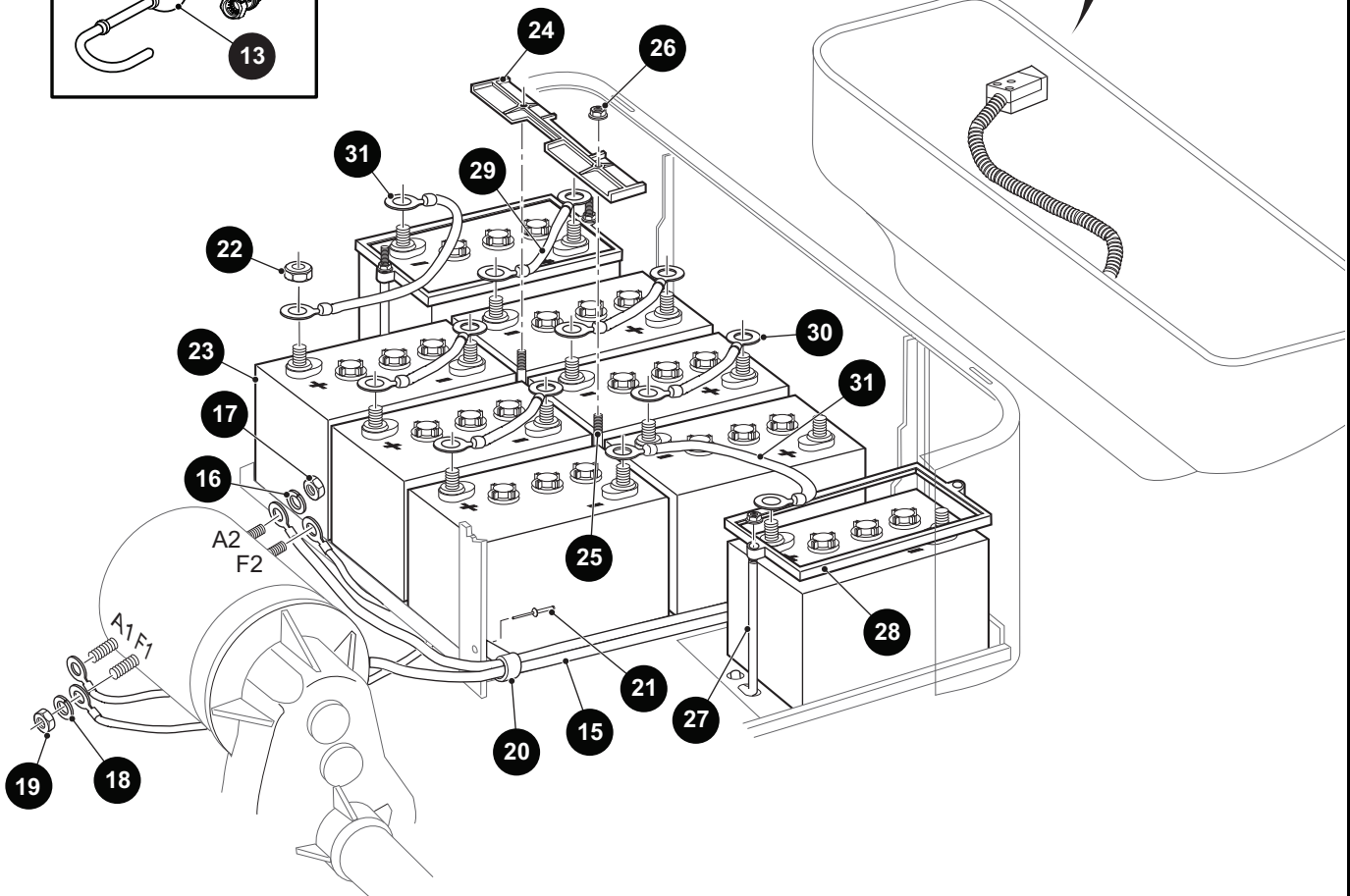
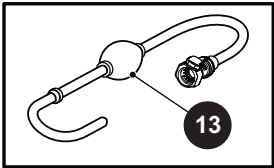
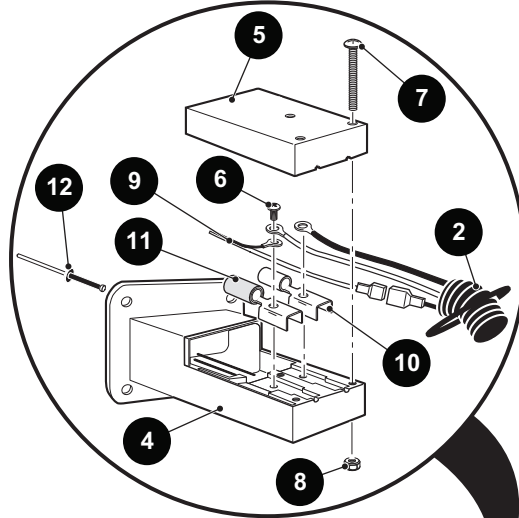
ITEM	PART NO.	1 2 3 4 5	DESCRIPTION	QTY.
32	626820		BRAKE CABLE ASSEMBLY (DRIVER SIDE)	1
33	626517		BRAKE CABLE ASSEMBLY (PASSENGER SIDE).....	1
34				
35				
36	616672		HEX HEAD BOLT, M8 - 1.25 X 60MM LG	3
37	616673		LOCK NUT, M8 X 1.25	3
38				
39	635382		PARK BRAKE LEVER WITH CABLES (INCLUDES ITEMS 40 - 42)	1
40	627393		PARK BRAKE LEVER.....	1
41	634719		PARK BRAKE SWITCH	1
42	616447		PARK BRAKE CABLE.....	2

Notes:

A large grid of graph paper, consisting of approximately 30 columns and 30 rows, intended for taking notes on the parking brake procedure.

ELECTRICAL SYSTEM

- 1 CHARGER HARNESS includes items 2 - 3
- 3 CHARGER HARNESS RECEPTACLE includes items 4 - 11



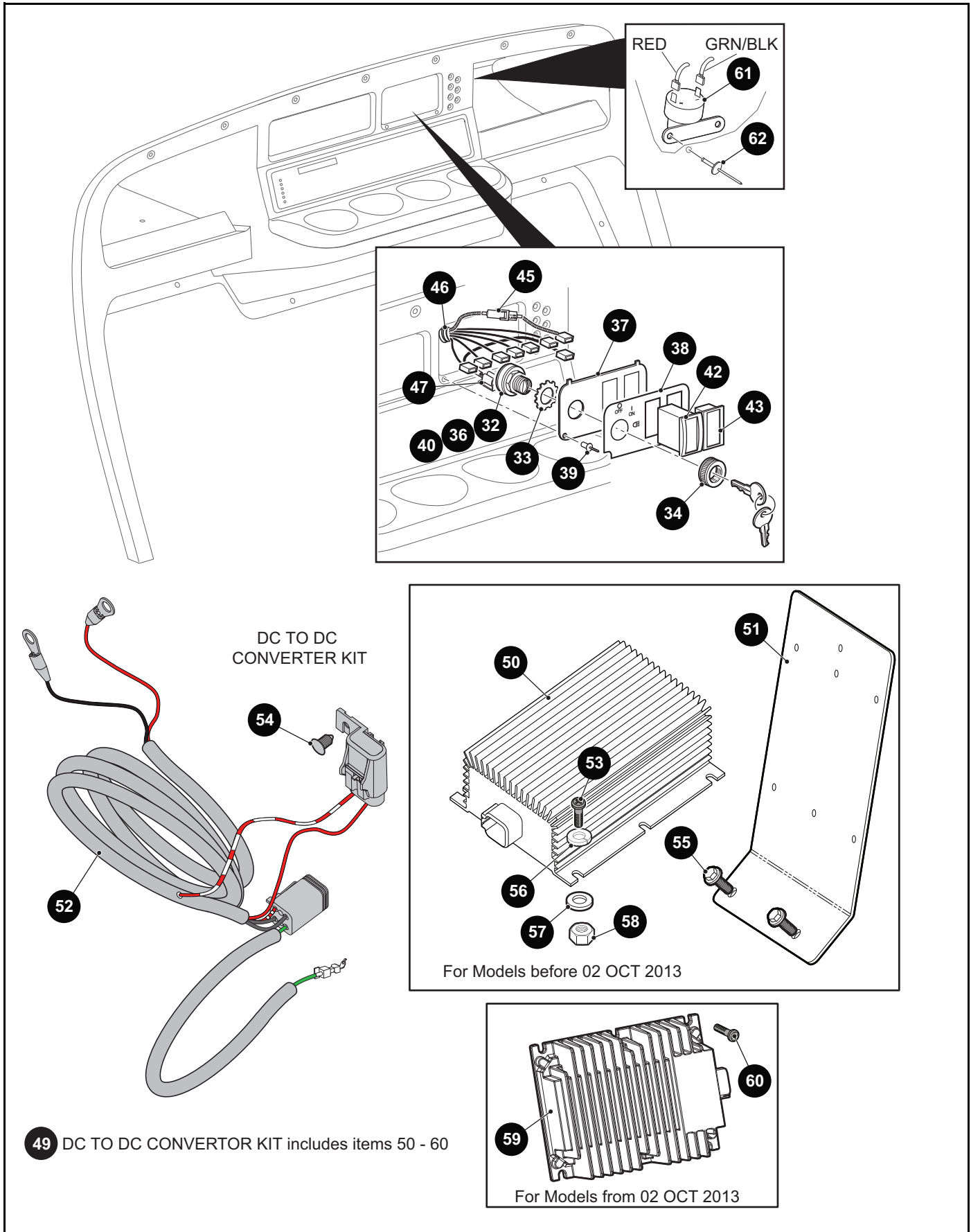
ELECTRICAL SYSTEM

When ordering parts, please specify the model and serial number of the product.

* Indicates a component that is not available as an individual part.

*** Indicates consult Customer Service Department for additional information.

ITEM	PART NO.	1 2 3 4 5	DESCRIPTION	QTY.
1	73311G03		CHARGER HARNESS / RECEPTACLE (INCLUDES ITEMS 2 - 3)	1
2	602822		CHARGER HARNESS WITH FUSE	1
3	668283		CHARGER HARNESS RECEPTACLE (INCLUDES ITEMS 4 - 11)	1
4	73051G22		RECEPTACLE BOTTOM	1
5	73051G21		RECEPTACLE COVER.....	1
6	73051G08		BINDING HEAD SCREW, #10 - 32 X 1/2" LG	2
7	73051G09		PAN HEAD PHILLIPS SCREW, #6 - 32 X 1 3/4" LG	3
8	73051G10		LOCK NUT, # 6 - 32	3
9	25978G25		18 GA JUMPER WIRE (RED).....	1
10	73051G23		FEMALE RADSOK (48V)	1
11	73051G24		INSULATED FEMALE RADSOK (48V).....	1
12	71055G01		RIVET, 3/16" X 1" LG	4
13	676122		TROJAN HAND PUMP KIT.....	1
14				
15	73349G01		POWER HARNESS	1
16	00993G01		LOCK WASHER (SILICON BRONZE), 5/16"	5
17	28418G01		BRASS NUT, 5/16" - 18	2
18	00993G02		LOCK WASHER (SILICON BRONZE), 1/4".....	4
19	28418G02		BRASS NUT, 1/4" - 20	2
20	27327G02		TWISTED CLAMP.....	1
21	10570G11		RIVET (SS), 3/16" X 3/4"	1
22	00702G2		HEAVY HEX NUT, 5/16" - 18	16
23	72824G01		6 VOLT BATTERY	8
24	612867		BATTERY RETAINER.....	1
25	01101G01		TIE DOWN BOLT	2
26	11027G1		LOCK NUT, 5/16" - 18.....	6
27	70386G01		HOLD DOWN BOLT.....	4
28	70387G01		BATTERY RETAINER.....	2
29	25971G13		4 GA WIRE (BLACK 10 1/2")	2
30	25971G18		4 GA WIRE (BLACK 6")	4
31	25971G16		4 GA WIRE (BLACK 19")	1



ELECTRICAL SYSTEM

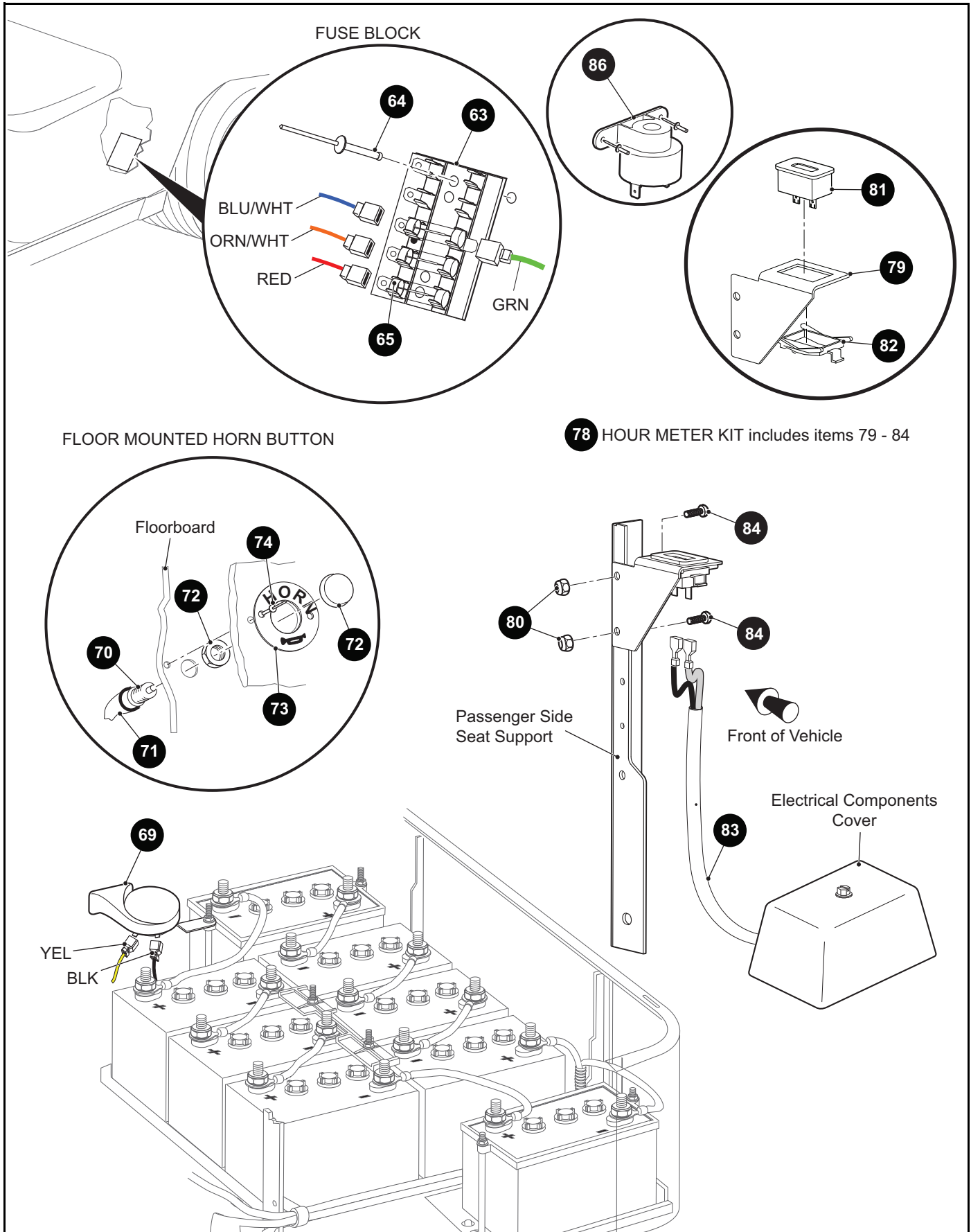
When ordering parts, please specify the model and serial number of the product.

* Indicates a component that is not available as an individual part.

*** Indicates consult Customer Service Department for additional information.

ITEM	PART NO.	1 2 3 4 5	DESCRIPTION	QTY.
32	33639G01		IGNITION SWITCH (WITH LIGHTS, STANDARD KEY).....	1
33	00568G6		LOCK WASHER, 3/4"	1
34	17137G1		FACE NUT, 3/4" - 20	1
35	17618G1		NYLON CLAMP (NOT ILLUSTRATED)	1
36	33639G02		IGNITION SWITCH (WITH LIGHTS, GROUP KEY)	1
37	73030G12		CONSOLE PLATE WITH DIRECTION SELECTOR AND SOC	1
38	74322G01		CONSOLE PLATE DECAL WITH DIRECTION SELECTOR AND SOC	1
39	33623G02		BLACK PLASTIC DRIVE RIVET	2
40	33639G03		IGNITION SWITCH (WITH LIGHTS, INDIVIDUAL KEY)	1
41				
42	624514G02		DIRECTION SELECTOR SWITCH (FNR)	1
43	33636G05		STATE OF CHARGE METER (SOC)	1
44				
45	645774		STATE OF CHARGE FUSE HARNESS.....	1
46	626531		CONTROL HARNESS	1
47	25978G74		18 GA JUMPER WIRE (RED 6").....	1
48				
49	605988		DC - DC CONVERTER KIT (INCLUDES ITEMS 50 - 60).....	1
50	604884		DC - DC CONVERTER (FOR MODELS BEFORE 02 OCT 2013)	1
51	626315		BRACKET.....	1
52	606018		DC - DC WIRING HARNESS	1
53	00379G4		PAN HEAD PHILLIPS SCREW, #10 - 24 X 1/2" LG	6
54	16816G5		CHRISTMAS TREE RIVET, 3/16" X 1/2"	1
55	00715G2		THREADED SCREW, 5/16" - 18 X .80" LG.....	2
56	00565G5		SPRING LOCK WASHER, #4 - 5/16"	6
57	00559G5		FLAT WASHER, #10	6
58	00526G3		HEX NUT, #12 - 24	6
59	632185		DC - DC CONVERTER (FOR MODELS FROM 02 OCT 2013)	1
60	632372		PAN HEAD PHILLIPS SCREW, #10 - 24 X 1/2" LG	4
61	73290G02		CONTINUOUS TONE BUZZER.....	1
62	01041G01		RIVET, 5/32" DIA.....	2

ELECTRICAL SYSTEM



ELECTRICAL SYSTEM

When ordering parts, please specify the model and serial number of the product.

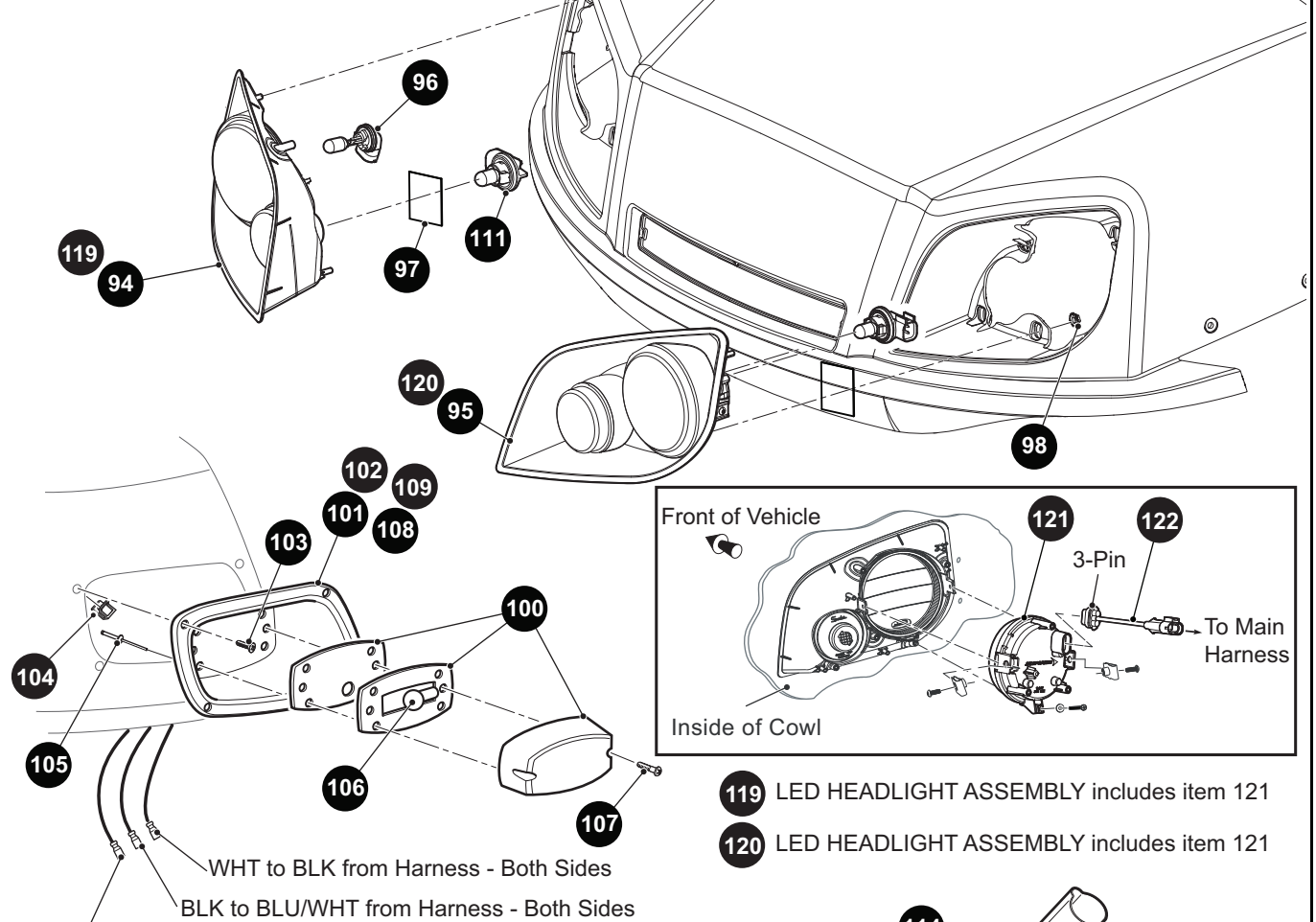
* Indicates a component that is not available as an individual part.

*** Indicates consult Customer Service Department for additional information.

ITEM	PART NO.	1 2 3 4 5	DESCRIPTION	QTY.
63	22674G1		FUSE BLOCK	1
64	01041G01		RIVET, 5/32" X 3/8" LG	2
65	18392G1		FUSE, 15 AMP	3
66	626505		ACCESSORY WIRE HARNESS (NOT ILLUSTRATED)	1
67	00559G4		FLAT WASHER, #8 (NOT ILLUSTRATED)	2
68				
69	32860G1		HORN.....	1
70	17318G1		HORN SWITCH	1
71	27068G01		HORN SWITCH BOOT	1
72	17318G2		HORN SWITCH CAP AND NUT	2
73	608397		HORN SWITCH LABEL	1
74	01041G01		RIVET, 5/32" X 3/4" LG	2
75				
76				
77				
78	75113G06		HOUR METER KIT (INCLUDES ITEMS 79 - 84).....	1
79	74716G01		HOUR BRACKET	1
80	14390G10		LOCK NUT, #10 - 24.....	2
81	74665G02		HOUR METER	1
82	74696G01		RETAINER CLIP	1
83	75117G04		HOUR METER WIRE HARNESS.....	1
84	00379G4		PAN HEAD PHILLIPS SCREW,#10 - 24 X 1/2" LG	2
85				
86	73290G01		INTERMITTENT BUZZER	1
87				
88				
89				
90				
91				
92				
93				

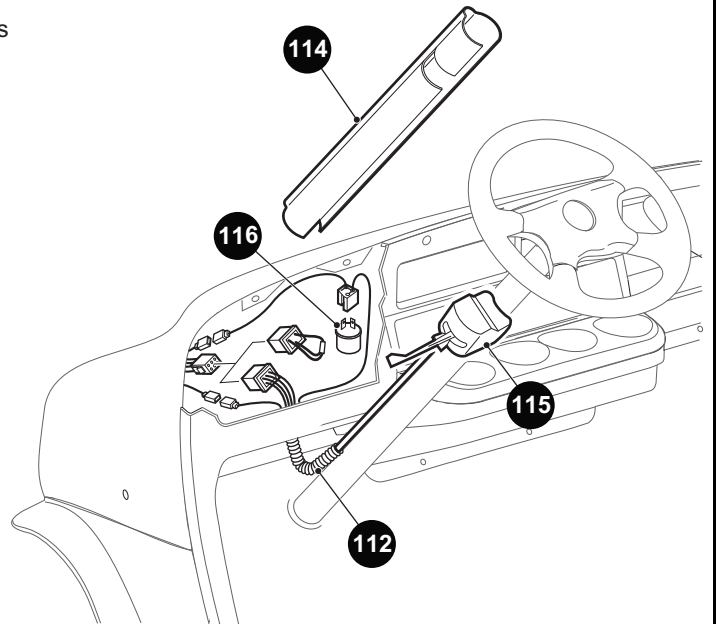
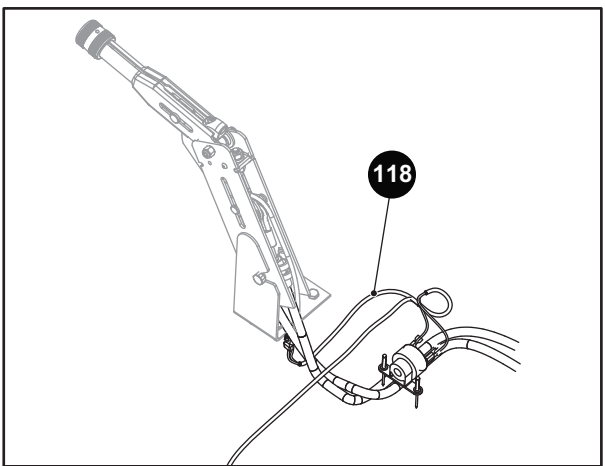
ELECTRICAL SYSTEM

- 110** TURN SIGNAL KIT includes items 111 - 115
- 115** TURN SIGNAL SWITCH ASSEMBLY includes item 116



WHT to BLK from Harness - Both Sides
 BLK to BLU/WHT from Harness - Both Sides
 RED to WHT from Harness - Driver Side
 RED to YEL from Harness - Passenger Side
 RED TO BRN from Harness - (W/O Turn Signals)

- 119** LED HEADLIGHT ASSEMBLY includes item 121
- 120** LED HEADLIGHT ASSEMBLY includes item 121



ELECTRICAL SYSTEM

When ordering parts, please specify the model and serial number of the product.

* Indicates a component that is not available as an individual part.

*** Indicates consult Customer Service Department for additional information.

ITEM	PART NO.	1 2 3 4 5	DESCRIPTION	QTY.
94	614497		HEADLIGHT W/BULB W/O TURN SIGNAL BULB (PASSENGER SIDE)	1
95	614501		HEADLIGHT W/BULB W/O TURN SIGNAL BULB (DRIVER SIDE).....	1
96	619100		HEADLIGHT BULB	2
97	71781G02		VINYL TAPE	2
98	71597G01		SELF THREADING NUT, 5 X 10 X 15MM	8
99				
100	22288G1		TAILLIGHT ASSEMBLY	2
101	74371G01		BEZEL (DRIVER SIDE)	1
102	74371G02		BEZEL (PASSENGER SIDE).....	1
103	71425G01		PHILLIPS HEAD TAPPING SCREW, # 8 - 18 X 3/4" LG	8
104	71364G02		J - CLIP	8
105	14601G11		RIVET (ALUMINUM), 3/16" X 9/16"	4
106	21759G1		DUAL FILAMENT BULB, 12V	1
107	00513G4		PAN HEAD PHILLIPS SCREW, # 8 - 18 X 1 1/2" LG	4
108	625251		BEZEL (DRIVER SIDE) (FOR VEHICLES MANUFACTURED FROM MARCH 2014).....	1
109	625252		BEZEL (PASSENGER SIDE) (FOR VEHICLES MANUFACTURED FROM MARCH 2014).....	1
110	622712		TURN SIGNALS KIT (INCLUDES ITEMS 111 - 115).....	1
111	619102		TURN SIGNAL BULB	1
112	32307G3		FLEX LOOM, 3/8" X 8" LG	1
113	17618G1		WIRE TIE (NOT ILLUSTRATED).....	2
114	20965G3		STEERING COLUMN COVER	1
115	611810		TURN SIGNAL SWITCH ASSEMBLY(INCLUDES ITEM 116).....	1
116	21640G01		FLASHER UNIT	1
117				
118	626519		PARK BRAKE/BUZZER HARNESS.....	1
119	659008		LED HEADLIGHT ASSEMBLY (PASSENGER SIDE) (INCLUDES ITEM 121)	1
120	659009		LED HEADLIGHT ASSEMBLY (DRIVER SIDE) (INCLUDES ITEM 121)	1
121	651411G03		LED HEADLIGHT	2
122	654465		JUMPER HARNESS, LED HEADLIGHT	1

ELECTRONIC SPEED CONTROL

When ordering parts, please specify the model and serial number of the product.

* Indicates a component that is not available as an individual part.

*** Indicates consult Customer Service Department for additional information.

ITEM	PART NO.	1	2	3	4	5	DESCRIPTION	QTY.
1	73348G04						ELECTRONIC SPEED CONTROL ASSEMBLY (INCLUDES ITEMS 2 -19)	1
2	73351G01						CONTROLLER MOUNT BRACKET	1
3	611173						ELECTRONIC SPEED CONTROLLER.....	1
4	11027G2						LOCK NUT, 1/4" - 20	4
5	621330						SOLENOID	1
6	00565G5						LOCK WASHER, #10	2
7	00526G4						LOCK NUT, #10 - 32.....	2
8	00565G8						LOCK WASHER, 5/16"	2
9	00544G4						JAM NUT, 5/16" - 24	2
10	11027G2						LOCK NUT, 1/4" - 20	2
11	73446G01						FASTON TAB, 90°	4
12	25971G17						4 GA WIRE (BLACK 9").....	1
13	73499G01						INLINE FUSE COVER.....	1
14	15058G1						RIVET (ALUMINUM), 3/16" X 7/16" LG.....	1
15	73523G01						CONTROLLER COVER	1
16	16816G1						RATCHET FASTENER, 1/4" X 9/16" LG	4
17	608931						WALKAWAY RELAY HARNESS, 48V	1
18	16816G2						RIVET, 0.25" X 0.887"	1
19	16816G5						RIVET, 0.187" X 0.550"	1
20								
21	73053G01						DOUBLE TUBE CLAMP	1
22	11027G2						LOCK NUT, 1/4" - 20.....	4
23								
24	73296G01						HEX HEAD BOLT, 8MM X 16MM.....	3
25	00993G01						LOCK WASHER, 5/16"	3
26	73346G01						HEX HEAD BOLT, 6MM X 1 X 12MM	2
27	00993G02						LOCK WASHER, 1/4"	2
28								
29								
30	73398G01						FAULT CODE DIAGNOSTIC LABEL	1

ELECTRONIC SPEED CONTROL

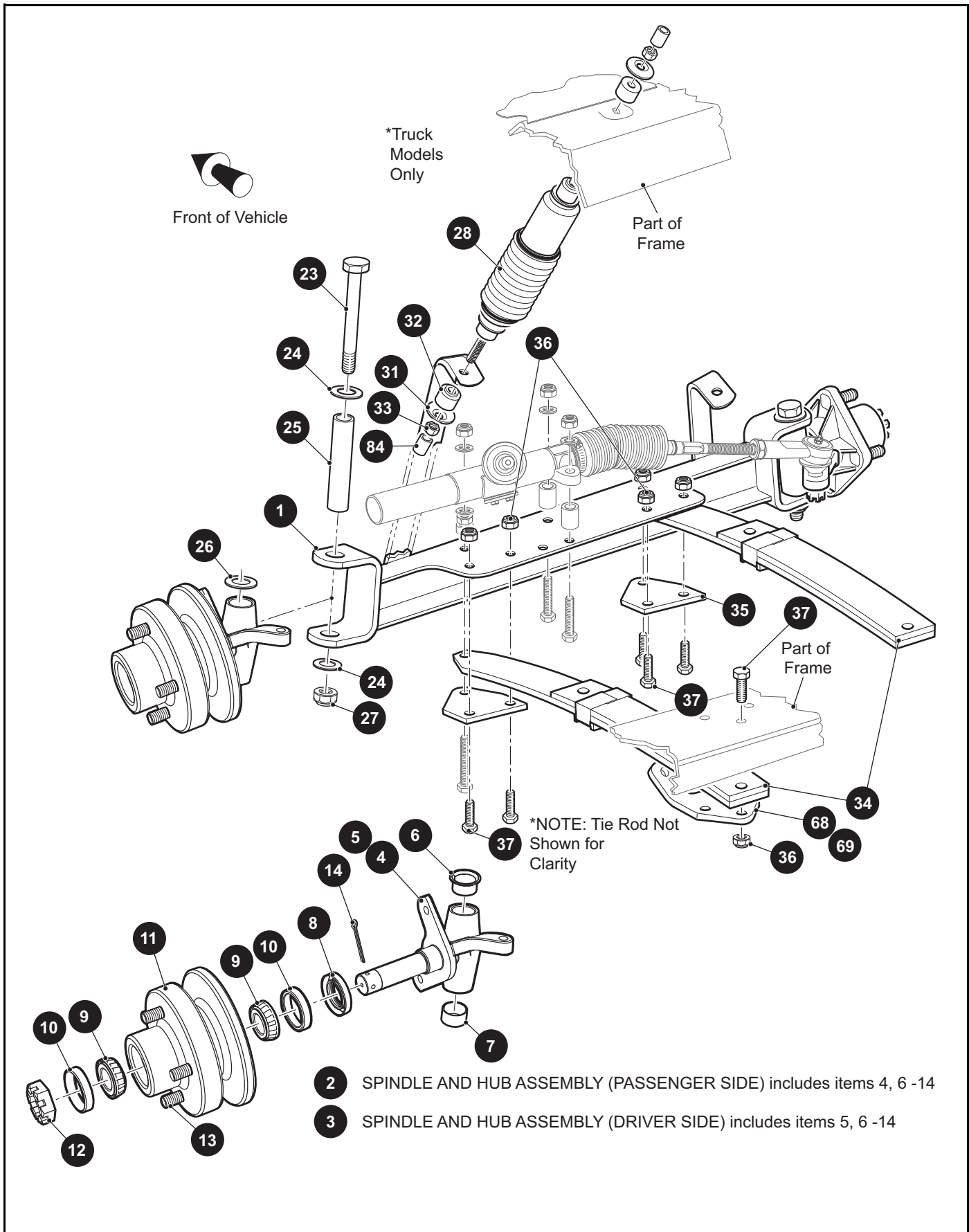
When ordering parts, please specify the model and serial number of the product.

* Indicates a component that is not available as an individual part.

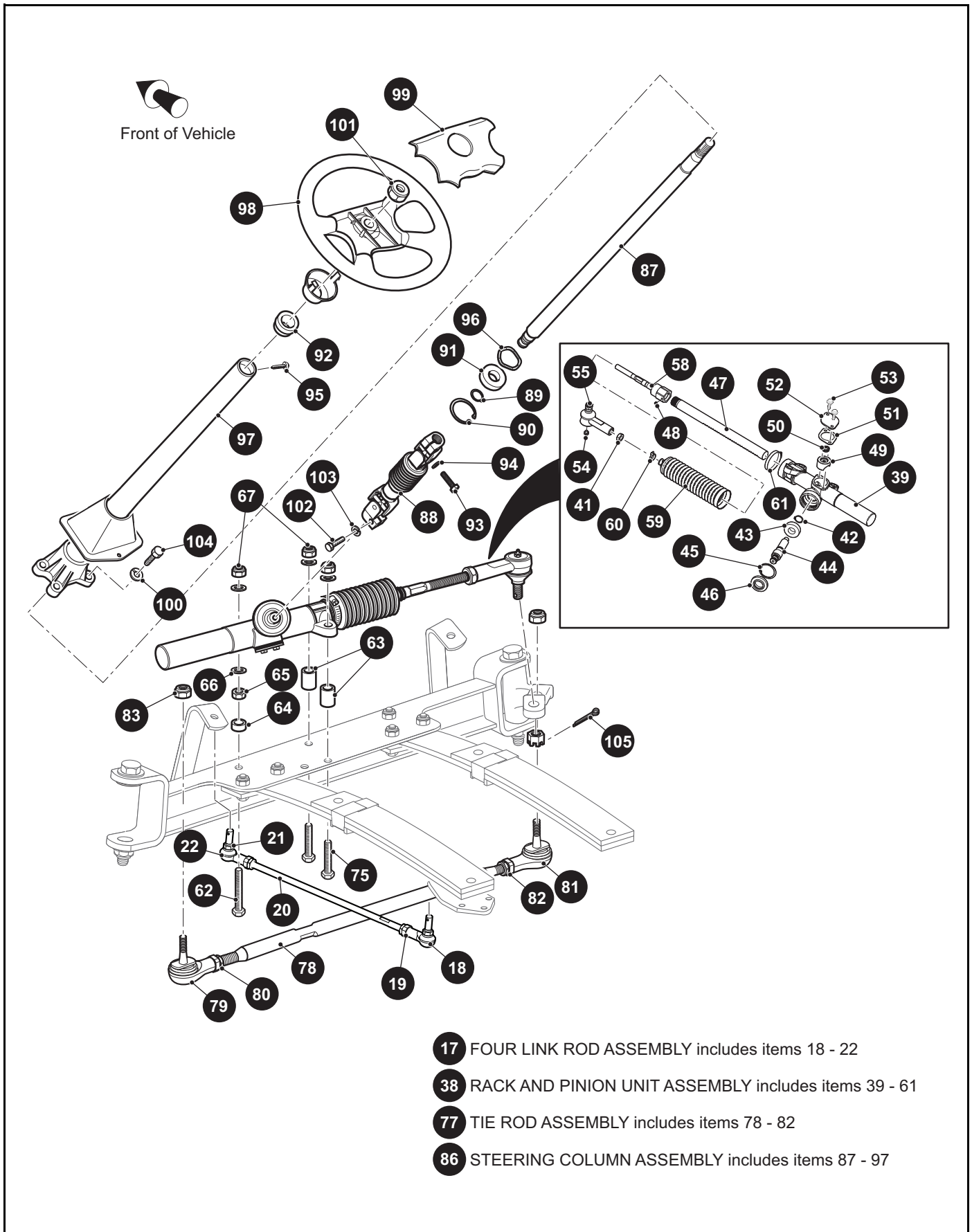
*** Indicates consult Customer Service Department for additional information.

ITEM	PART NO.	1 2 3 4 5	DESCRIPTION	QTY.
31	73347G03		TOW SWITCH ASSEMBLY (INCLUDES ITEMS 32 - 34)	1
32	73347G01		RUN/TOW SWITCH LABEL.....	1
33	648593		TOGGLE SWITCH	1
34	73336G02		TOW SWITCH BRACKET.....	1
35				
36	71055G01		RIVET, 5/32" X 3/4" LG.....	2

FRONT SUSPENSION AND STEERING



FRONT SUSPENSION AND STEERING



FRONT SUSPENSION AND STEERING

When ordering parts, please specify the model and serial number of the product.

* Indicates a component that is not available as an individual part.

*** Indicates consult Customer Service Department for additional information.

ITEM	PART NO.	1 2 3 4 5	DESCRIPTION	QTY.
1	602327		FRONT AXLE	1
2	602288		SPINDLE AND HUB ASSEMBLY (PASSENGER SIDE) (INCLUDES ITEMS 4, 6 - 14)	1
3	602281		SPINDLE AND HUB ASSEMBLY (DRIVER SIDE) (INCLUDES ITEMS 5, 6 - 14)	1
4	602158		SPINDLE (PASSENGER SIDE)	1
5	602176		SPINDLE (DRIVER SIDE)	1
6	70648G01		FLANGED BEARING	1
7	70749G01		BEARING	1
8	25146G1		GREASE SEAL	1
9	11750G2		ROLLER BEARING	2
10	51141G1		BEARING RACE	2
11	630672		HUB - DISC BRAKE	1
12	12093G1		SLOTTED NUT, 17/32"	1
13	74864G01		DRIVE FLANGE STUD, 1 1/2"	4
14	00798G8		COTTER PIN, 5/32" X 1 3/4"	1
15				
16	01084G01		LOCK NUT, M10 - 1 1/4" (NOT ILLUSTRATED)	4
17	74730G01		LINK ROD ASSEMBLY (INCLUDES ITEMS 18 - 22)	2
18	74734G02		TIE ROD END - RH THREAD	1
19	01083G01		JAM NUT, M10 - 1 1/4" - RH THREAD	1
20	618531		LINK ROD	1
21	01083G02		JAM NUT, M10 - 1 1/4" - LH THREAD	1
22	74734G01		TIE ROD END - LH THREAD	1
23	00407G6		HEX HEAD BOLT, 1/2" - 13 X 6" LG	2
24	00560G3		FLAT WASHER, 1/2"	4
25	70745G01		KING PIN TUBE	2
26	70754G01		THRUST WASHER (SS), 1"	2
27	14390G6		LOCK NUT, 1/2" - 13	2
28	76419G01		SHOCK ABSORBER	2
29				
30				

FRONT SUSPENSION AND STEERING

When ordering parts, please specify the model and serial number of the product.

* Indicates a component that is not available as an individual part.

*** Indicates consult Customer Service Department for additional information.

ITEM	PART NO.	1 2 3 4 5	DESCRIPTION	QTY.
31	10435G1		SHOCK ABSORBER WASHER, .406" I.D. X 1.25" O.D.	8
32	10194G1		RUBBER BUSHING.....	8
33	00532G6		HEX NUT, 1/4" - 20	4
34	70664G03		LEAF SPRING (HEAVY DUTY) (SEE PART NUMBER ON SPRING).....	2
35	70163G03		SPRING PLATE	2
36	00734G1		LOCK NUT, 7/16" - 14.....	11
37	00463G11		HEX HEAD BOLT, 7/16" - 14 X 1 1/2" LG	11
38	70964G01		RACK AND PINION UNIT (COMPLETE) (INCLUDES ITEMS 39 - 61)	1
39	70965G01		STEERING RACK COVER AND BEARING	1
40				
41	*		JAM NUT, 1/2" - 20.....	1
42	70750G01		RETAINING RING - EXTERNAL	1
43	15112G1		BALL BEARING	1
44	70603G01		PINION	1
45	70751G01		RETAINING RING - INTERNAL	1
46	70638G01		PINION SEAL	1
47	70604G01		STEERING RACK	1
48	*		SOCKET HEAD SCREW, #10 - 32.....	1
49	70590G01		RACK LOADER.....	1
50	70666G01		COMPRESSION SPRING	1
51	70645G01		GASKET (RACK LOADER)	1
52	652259		COVER (RACK LOADER)	1
53	71102G01		HEX HEAD BOLT, 1/4" - 20	2
54	10389G3		GREASE FITTING, STRAIGHT.....	1
55	70695G01		TIE ROD END - OUTER.....	1
56	*		GROMMET (NOT ILLUSTRATED).....	1
57	*		SLOTTED NUT, 7/16" - 20 (NOT ILLUSTRATED).....	1
58	74694G01		ROD END - INNER.....	1
59	70961G01		BELLOWS RACK COVER	1
60	12416G2		NYLON CLAMP, 10"	1
61	11391G8		HOSE CLAMP, 1.81	1

FRONT SUSPENSION AND STEERING

When ordering parts, please specify the model and serial number of the product.

* Indicates a component that is not available as an individual part.

*** Indicates consult Customer Service Department for additional information.

ITEM	PART NO.	1 2 3 4 5	DESCRIPTION	QTY.
62	01068G01		HEX HEAD BOLT, 7/16" - 14 X 3 1/2" LG.....	1
63	70667G02		SPACER, 1.21"	2
64	70667G04		STEERING HOUSING SPACER	1
65	00532G7		HEX NUT, 1/4" - 20.....	1
66	00560G2		FLAT WASHER, 3/8"	7
67	00734G1		LOCK NUT, 7/16" - 14	3
68	74731G01		SPRING PLATE (DRIVER SIDE)	1
69	74731G02		SPRING PLATE (PASSENGER SIDE).....	1
70				
71				
72				
73				
74				
75	00464G8		HEX HEAD BOLT, 7/16" - 14 X 2 3/4" LG.....	2
76				
77	70876G02		TIE ROD ASSEMBLY (INCLUDES ITEMS 78 - 82)	1
78	70897G02		THREADED ROD (24" LG).....	1
79	70902G01		TIE ROD END (LEFT HAND THREADS)	1
80	01069G01		JAM NUT, M12 X 1.25 - 05 (LEFT HAND THREADS).....	1
81	70902G02		TIE ROD END (RIGHT HAND THREADS)	1
82	01069G02		JAM NUT, M12 X 1.25 - 05 (RIGHT HAND THREADS)	1
83	00734G1		LOCK NUT, 7/16" - 14	2
84	10044G01		VINYL CAP	4
85				
86	70758G05		STEERING COLUMN ASSEMBLY (INCLUDES ITEMS 87 - 97)	1
87	70607G01		STEERING SHAFT	1
88	70580G01		INTERMEDIATE SHAFT	1
89	70888G01		RETAINING RING, EXTERNAL.....	1
90	70751G01		RETAINING RING, INTERNAL	1
91	15112G1		BALL BEARING	1
92	28569G01		BUSHING.....	1

FRONT SUSPENSION AND STEERING

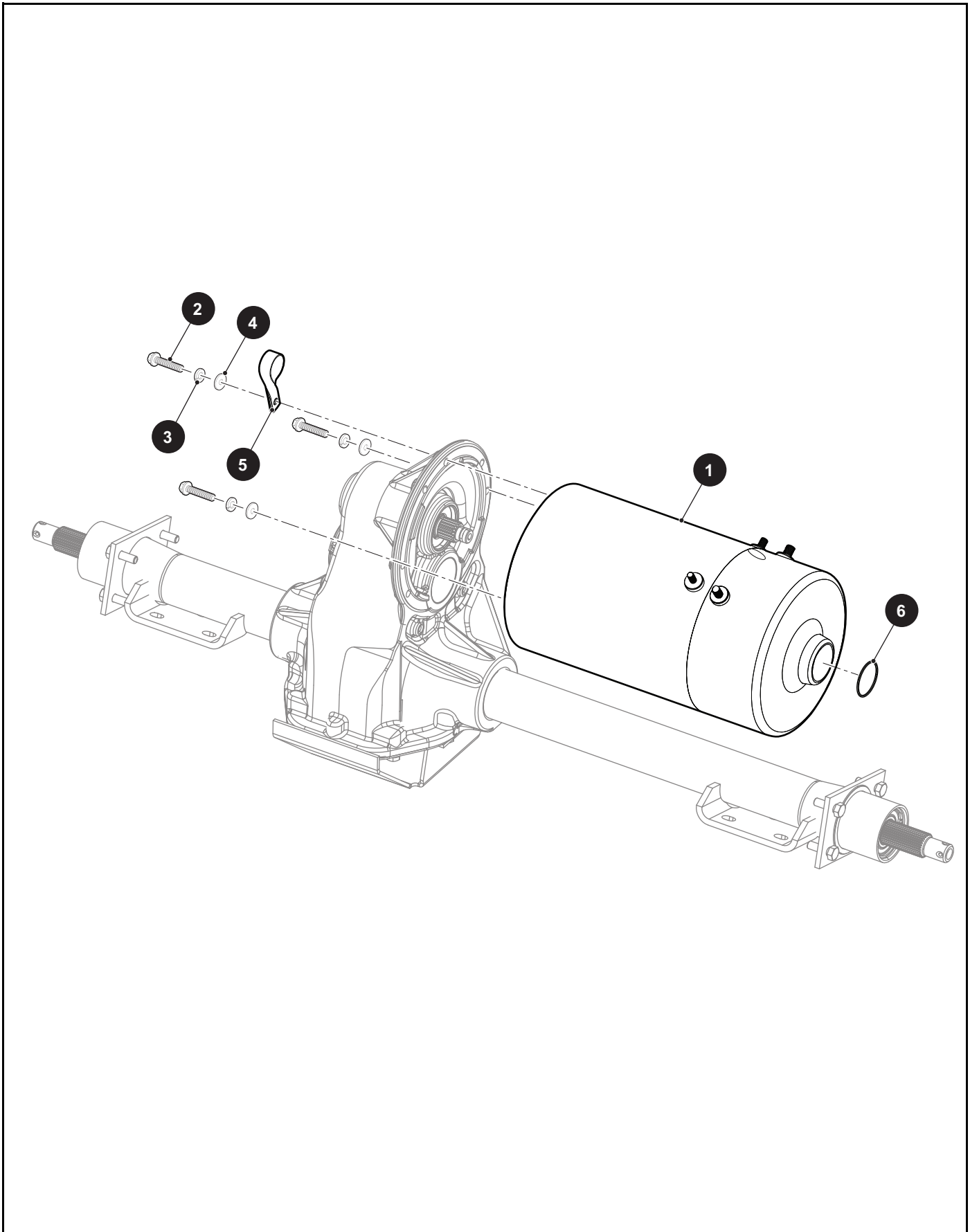
When ordering parts, please specify the model and serial number of the product.

* Indicates a component that is not available as an individual part.

*** Indicates consult Customer Service Department for additional information.

ITEM	PART NO.	1 2 3 4 5	DESCRIPTION	QTY.
93	01055G01		HEX HEAD BOLT, M8 - 1.25" X 30MM LG	1
94	00565G8		SPRING LOCK WASHER	1
95	01022G01		HEX HEAD BOLT, #6 - 20 X 5/16" LG	1
96	70887G01		WAVE WASHER (SS).....	1
97	70610G03		STEERING COLUMN ASSEMBLY	1
98	602980		STEERING WHEEL (PREMIUM).....	1
99	71147G01		STEERING WHEEL COVER	1
100	00879G1		FLAT WASHER, 3/8"	4
101	14390G2		LOCK NUT, 5/8" - 18.....	1
102	01055G01		HEX HEAD BOLT, M8 - 1 1/4" X 30MM LG	1
103	00565G8		LOCK WASHER, 5/16"	1
104	01006G01		HEX HEAD BOLT, 3/8" - 16 X 1 1/4" LG	4
105	10387G2		COTTER PIN, .094" X 1"	1

MOTOR



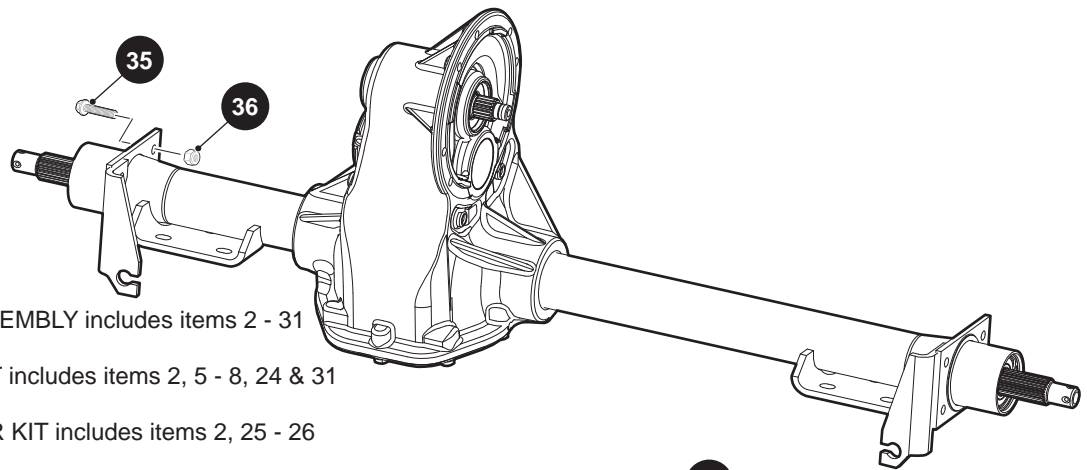
When ordering parts, please specify the model and serial number of the product.

* Indicates a component that is not available as an individual part.

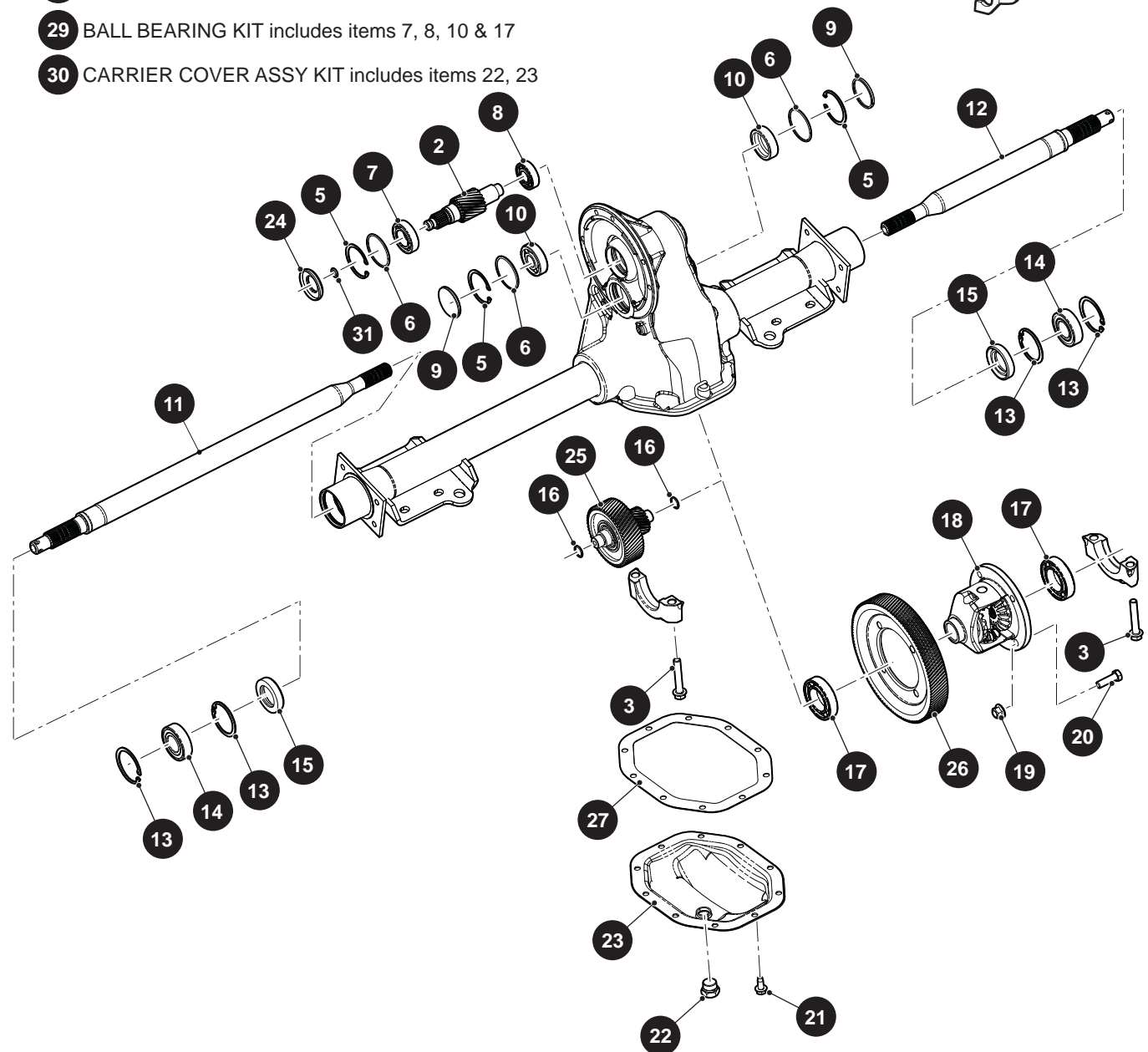
*** Indicates consult Customer Service Department for additional information.

ITEM	PART NO.	1 2 3 4 5	DESCRIPTION	QTY.
1	628660		ELECTRIC MOTOR, 48V.....	1
2	00797G2		HEX HEAD BOLT, 1/4" - 20 X 1 1/4" LG.....	3
3	00664G7		LOCK WASHER, 1/4" X 17/64".....	3
4	01110G01		FLAT WASHER, 1/4".....	3
5	27327G02		TWISTED CLAMP, 1.187" O.D X 1.125" I.D.....	1
6	624109		O - RING.....	1

REAR AXLE



- 1 REAR AXLE ASSEMBLY includes items 2 - 31
- 4 INPUT GEAR KIT includes items 2, 5 - 8, 24 & 31
- 28 INTERNAL GEAR KIT includes items 2, 25 - 26
- 29 BALL BEARING KIT includes items 7, 8, 10 & 17
- 30 CARRIER COVER ASSY KIT includes items 22, 23



When ordering parts, please specify the model and serial number of the product.

* Indicates a component that is not available as an individual part.

*** Indicates consult Customer Service Department for additional information.

ITEM	PART NO.	1 2 3 4 5	DESCRIPTION	QTY.
1	74612G01		REAR AXLE (INCLUDES ITEMS 2 - 31)	1
2	601062		INPUT GEAR	1
3	15118G1		BEARING CAP BOLT, 3/8" - 16 X 2 1/8" LG	4
4	601068		INPUT GEAR KIT (INCLUDES ITEMS 2, 5 - 8, 24 & 31)	1
5	23530G1		RETAINING RING	3
6	24628G1		O - RING	3
7	23519G1		BALL BEARING	1
8	23520G1		BALL BEARING	1
9	601064		END CAP PLUG	2
10	601065		BALL BEARING	2
11	617608		AXLE SHAFT - LH	1
12	617609		AXLE SHAFT - RH	1
13	620342		RETAINING RING	4
14	611788		BALL BEARING	2
15	612064		OIL SEAL	2
16	601081		O - RING	2
17	17473G1		BALL BEARING	2
18	601082		DIFFERENTIAL ASSEMBLY	1
19	601084		LOCK NUT, 3/8" - 24	4
20	601083		HEX HEAD BOLT, 3/8" - 24 X 1 1/4" LG	4
21	15558G1		HEX HEAD BOLT, 5/16" - 18 X 3/4" LG	10
22	601085		HEX HEAD PLUG	1
23	612823		COVER PLATE	1
24	612821		OIL SEAL	1
25	612825		INTERMEDIATE GEAR ASSEMBLY	1
26	612826		DRIVE GEAR	1
27	612824		GASKET	1
28	612847		INTERNAL GEAR KIT (INCLUDES ITEMS 2, 25 - 26)	1
29	612829		BALL BEARING KIT (INCLUDES ITEMS 7, 8, 10 & 17)	1
30	612828		CARRIER COVER ASSEMBLY KIT (INCLUDES ITEMS 22, 23)	1
31	615458		O - RING	1

REAR AXLE

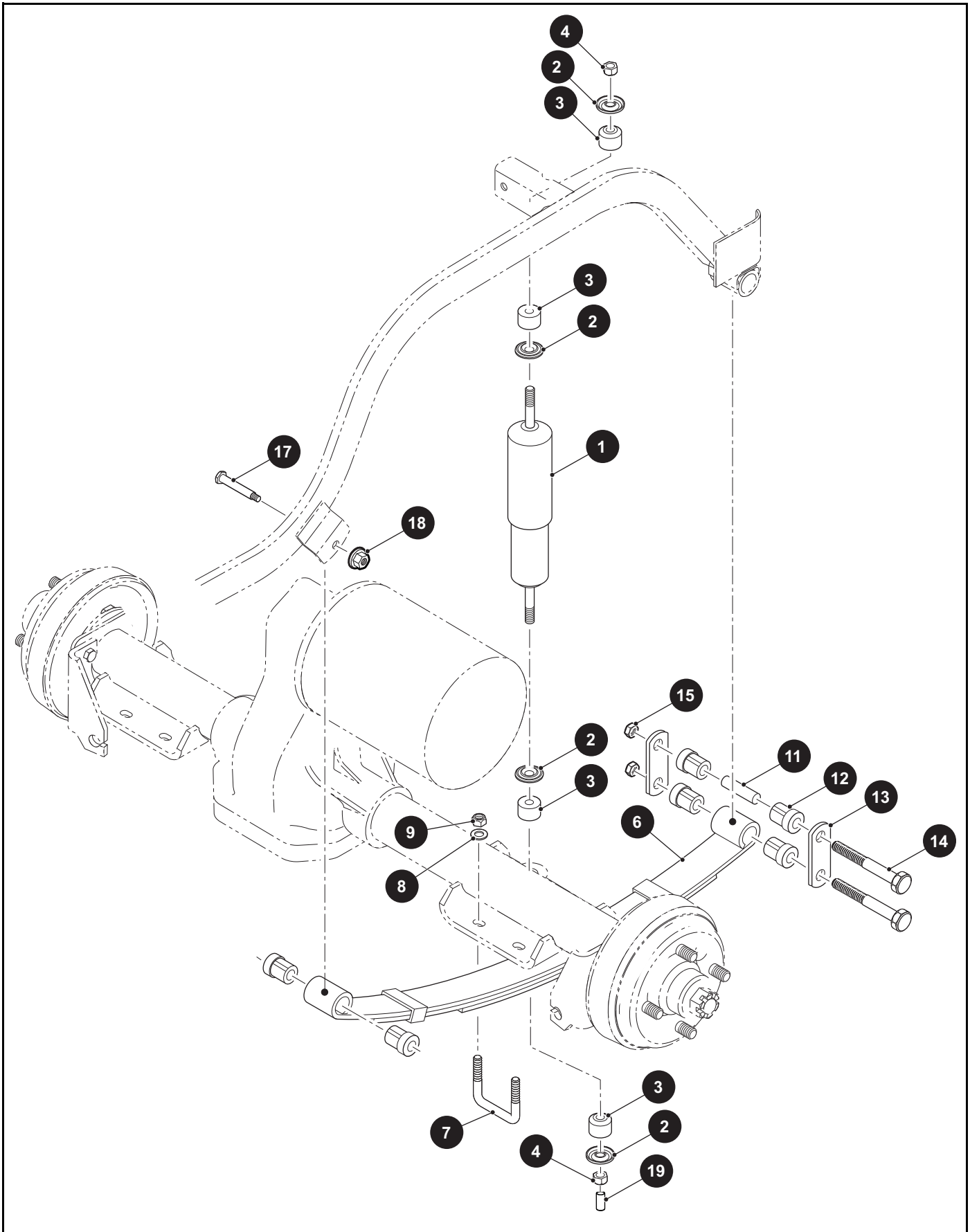
When ordering parts, please specify the model and serial number of the product.

* Indicates a component that is not available as an individual part.

*** Indicates consult Customer Service Department for additional information.

ITEM	PART NO.	1	2	3	4	5	DESCRIPTION	QTY.
32								
33								
34								
35	631224						SOCKET HEAD BOLT, 5/16" - 24 X 1" LG	8
36	15126G1						LOCK NUT, 5/16" - 24	8

REAR SUSPENSION



REAR SUSPENSION

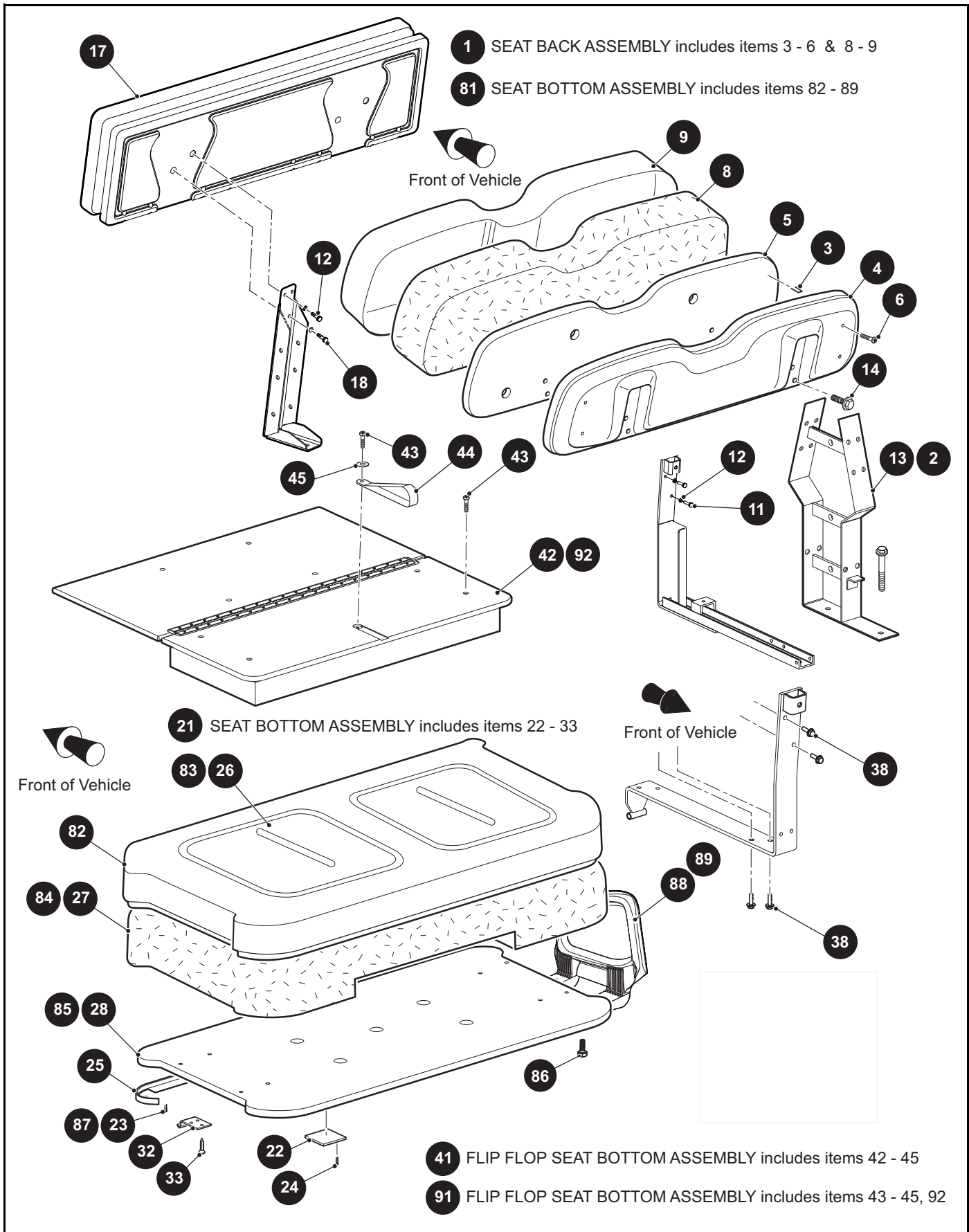
When ordering parts, please specify the model and serial number of the product.

* Indicates a component that is not available as an individual part.

*** Indicates consult Customer Service Department for additional information.

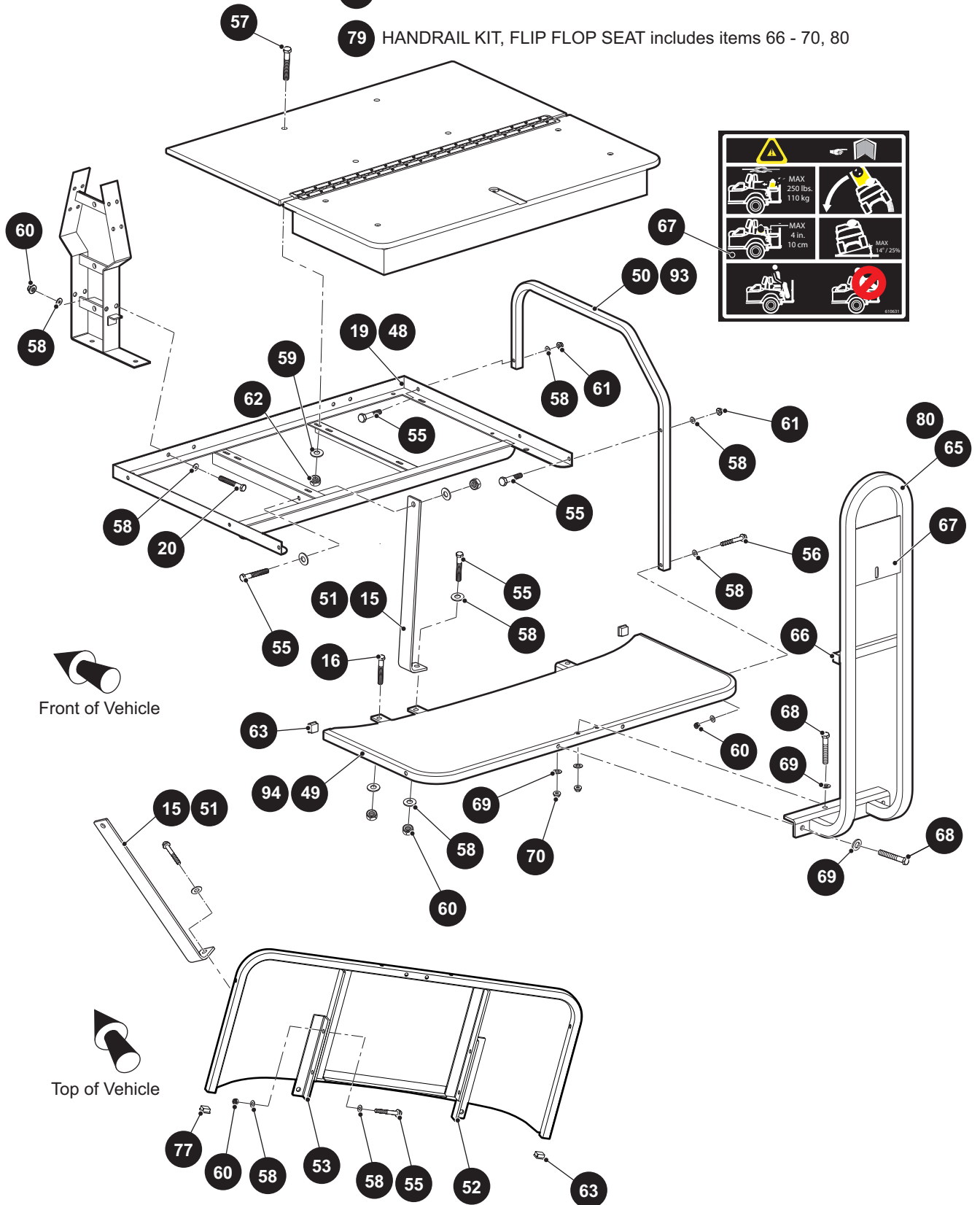
ITEM	PART NO.	1 2 3 4 5	DESCRIPTION	QTY.
1	76418G01		SHOCK ABSORBER.....	2
2	10435G1		SHOCK ABSORBER WASHER.....	8
3	10194G1		RUBBER SHOCK ABSORBER BUSHING.....	8
4	00532G6		HEX NUT, 3/8" - 24.....	4
5				
6	626474		LEAF SPRING (HEAVY DUTY).....	2
7	72618G01		"U" BOLT, 3/8" - 16 X 2" X 2 1/2" LG.....	4
8	00560G1		FLAT WASHER, 3/8".....	8
9	11098G5		LOCK NUT, 3/8" - 16.....	8
10				
11	70289G02		SPLIT STEEL SPACER.....	4
12	624030		FLANGED BUSHING.....	12
13	652245		SHACKLE PLATE.....	4
14	00665G9		HEX HEAD BOLT (SS), 3/8" - 16 X 3 1/2" LG.....	4
15	11098G5		LOCK NUT, 3/8" - 16.....	4
16				
17	14158G1		SHOULDER BOLT, 3/8" - 16 X 3 1/4" LG.....	2
18	12262G1		LOCK NUT, 3/8" - 16.....	2
19	10044G01		VINYL CAP.....	2

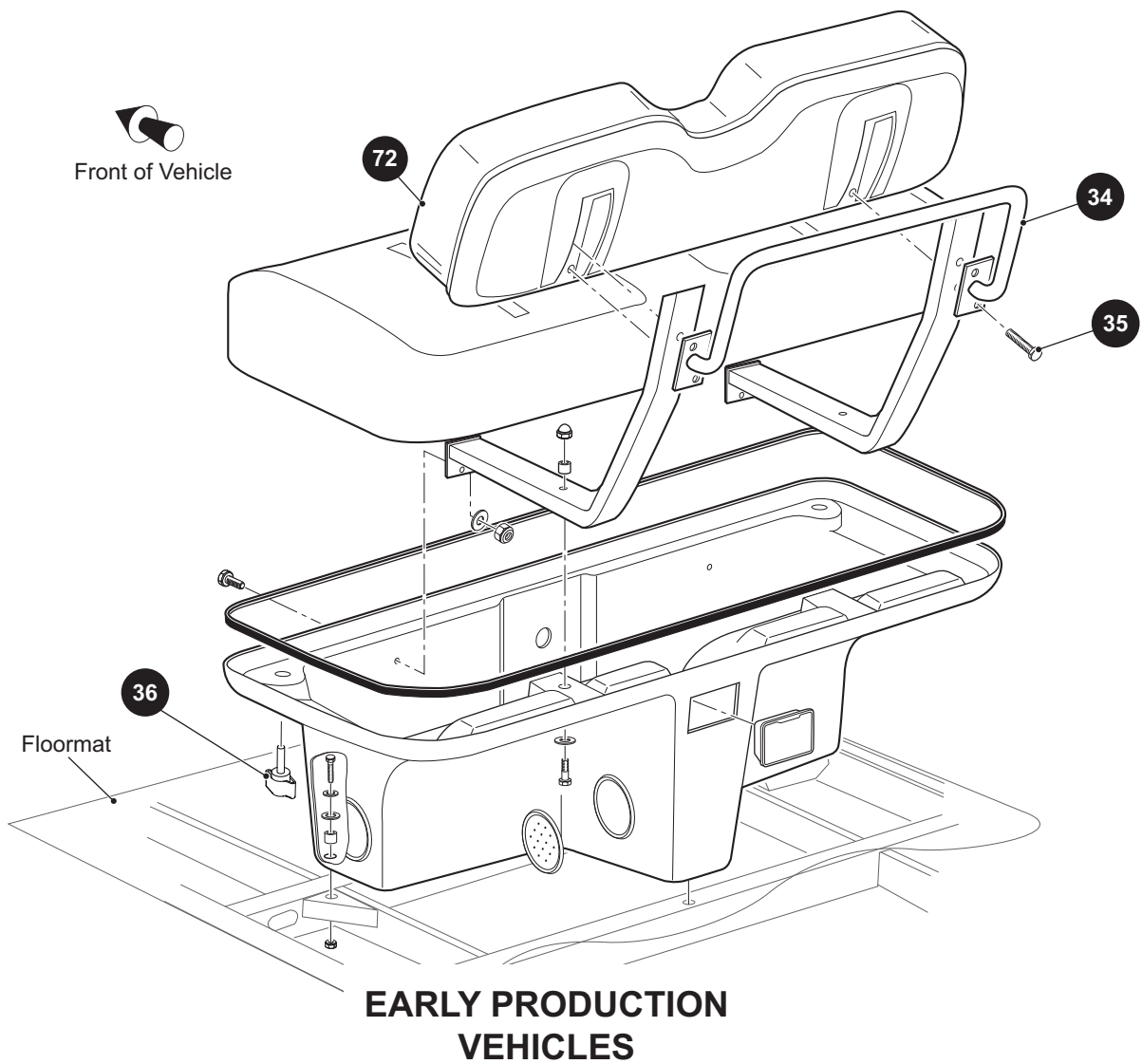
SEATING



64 HANDRAIL KIT, FLIP FLOP SEAT includes items 65 - 70

79 HANDRAIL KIT, FLIP FLOP SEAT includes items 66 - 70, 80





When ordering parts, please specify the model and serial number of the product.

* Indicates a component that is not available as an individual part.

*** Indicates consult Customer Service Department for additional information.

ITEM	PART NO.	1 2 3 4 5	DESCRIPTION	QTY.
1	***		SEAT BACK ASSEMBLY (INCLUDES ITEMS 2 - 6 & 8 - 9)..... 71751G01 WHITE 71751G02 GRAY 71751G03 OYSTER 71751G04 TAN 71751G06 BROWN 71751G07 BLACK 606828 RED/BLACK 604908 WHITE/BLUE 604907 WHITE/RED (FOR VEHICLES MANUFACTURED FROM MARCH 2014) 615838 WHITE/BLACK (FOR VEHICLES MANUFACTURED FROM MARCH 2014) 620794 WHITE/YELLOW (FOR VEHICLES MANUFACTURED FROM MARCH 2014) 620796 GRAY/BLACK (FOR VEHICLES MANUFACTURED FROM MARCH 2014) 615837 OYSTER/GARNET (FOR VEHICLES MANUFACTURED FROM MARCH 2014)	1
2	634178		SEAT BACK SUPPORT (FOR VEHICLES MANUFACTURED FROM MARCH 2014).....	2
3	*		FLAT STAPLE.....	AR
4	71752G01		PLASTIC SEAT BACK COVER.....	1
5	645021		SEAT BACK BASE.....	1
6	01107G01		PAN HEAD TORX SCREW (SS), #8 X 3/8" LG.....	4
7	607535		PAN HEAD SCREW, #8 X 0.88" LG.....	4
8	71754G01		FOAM PADDING (SEAT BACK).....	1
9	***		VINYL SEAT BACK COVER..... 71753G01 WHITE 71753G02 GRAY 71753G03 OYSTER 71753G04 TAN 71513G06 BROWN	1

SEATING

When ordering parts, please specify the model and serial number of the product.

* Indicates a component that is not available as an individual part.

*** Indicates consult Customer Service Department for additional information.

ITEM	PART NO.	1	2	3	4	5	DESCRIPTION	QTY.
							71513G07 BLACK	
							604912G0304 RED/BLACK	
							604912G0102 WHITE/BLUE	
							604916G0304 RED/BLACK (FOR VEHICLES MANUFACTURED FROM MARCH 2014)	
							604916G0104 WHITE/BLACK (FOR VEHICLES MANUFACTURED FROM MARCH 2014)	
							604916G0506 OYSTER/GARNET (FOR VEHICLES MANUFACTURED FROM MARCH 2014)	
10								
11	00661G8						HEX HEAD BOLT, 1/4" - 20 X 1/2" LG.....	4
12	00664G7						LOCK WASHER (SS), 0.255".....	4
13	615730						SEAT BACK SUPPORT	1
14	71204G01						MACHINE SCREW WITH PATCH LOCK, 1/4" - 20 X 7/8" LG	8
15	634174						SEAT FRAME SUPPORT (FOR VEHICLES MANUFACTURED FROM MARCH 2014)	2
16	00427G6						HEX HEAD BOLT, 3/8" - 16 X 1 1/4" LG (FOR VEHICLES MANUFACTURED FROM MARCH 2014)	2
17	***						SEAT BACK ASSEMBLY	1
							71274G03 TAN	
							71274G04 GRAY	
							71274G05 OYSTER	
18	605056						HEX HEAD BOLT, 1/4" - 20 X 1" LG.....	4
19	634180						SEAT FRAME WELDMENT (FOR VEHICLES MANUFACTURED FROM MARCH 2014)	1
20	00427G2						HEX HEAD BOLT, 3/8" - 49 X 1.25" LG (FOR VEHICLES MANUFACTURED FROM MARCH 2014)	4
21	***						SEAT BOTTOM ASSEMBLY (INCLUDES ITEMS 22 - 33, 88 - 89, 86)	1
							629269G0105 WHITE	
							629269G0104 GRAY	
							629269G0101 OYSTER	
							629269G0103 TAN	
22	17074G1						RUBBER PAD	2
23	*						FLAT STAPLE	AR

When ordering parts, please specify the model and serial number of the product.

* Indicates a component that is not available as an individual part.

*** Indicates consult Customer Service Department for additional information.

ITEM	PART NO.	1	2	3	4	5	DESCRIPTION	QTY.
24	*						FLAT STAPLE.....	AR
25	71012G01						VINYL TRIM (SEAT BOTTOM).....	1
26	***						VINYL SEAT BOTTOM COVER	1
							71602G01 WHITE	
							71602G02 GRAY	
							71602G03 OYSTER	
							71602G04 TAN	
27	71603G02						FOAM PADDING (SEAT BOTTOM)	1
28	645492						SEAT BOTTOM	1
29								
30								
31								
32	71610G01						SEAT HINGE	2
33	00720G08						FLAT HEAD PHILLIPS SCREW, #12 -14 X 1" LG.....	6
34	71632G01						HAND GRIP WELDMENT.....	2
35	71204G02						MACHINE SCREW WITH PATCH LOCK, 1/4" - 20 X 2" LG.....	8
36	70864G01						T-KNOB STUD, 1/4" - 20 X 1" LG (FOR VEHICLES MANUFACTURED FROM MARCH 2014).....	8
37								
38	71204G01						MACHINE SCREW WITH PATCH LOCK, 1/4" - 20 X 7/8" LG.....	12
39								
40								
41	***						FLIP FLOP SEAT BOTTOM ASSEMBLY (INCLUDES ITEMS 42 -45)	1
							626579 BLACK	
							626580 TAN	
							626581 WHITE / RED	
							626582 WHITE / BLUE	
							626583 WHITE / YELLOW	
							626584 WHITE / BLACK	
							626585 OYSTER / GARNET	
							626586 GRAY / BLACK	

SEATING

When ordering parts, please specify the model and serial number of the product.

* Indicates a component that is not available as an individual part.

*** Indicates consult Customer Service Department for additional information.

ITEM	PART NO.	1	2	3	4	5	DESCRIPTION	QTY.
							626587 OYSTER	
							626588 BLACK	
							626589 TAN	
							626590 WHITE / RED	
							626591 WHITE / BLUE	
							626592 WHITE / YELLOW	
							626593 WHITE / BLACK	
							626594 OYSTER / GARNET	
							626595 GRAY / BLACK	
							611130 WHITE / BLACK (FOR VEHICLES MANUFACTURED FROM MARCH 2014)	
							611135 RED / BLACK (FOR VEHICLES MANUFACTURED FROM MARCH 2014)	
							611136 WHITE / BLACK (FOR VEHICLES MANUFACTURED FROM MARCH 2014)	
42	617137						DECK BOARD ASSEMBLY	1
43	16705G1						TRUSS HEAD PHILLIPS SCREW (SS), 1/4" - 20 X 1" LG.....	5
44	617402						SEAT STRAP	1
45	00559G7						FLAT WASHER, 1/4".....	1
46								
47								
48	615712						SEAT FRAME WELDMENT	1
49	615714						FOOTREST WELDMENT.....	1
50	615729						ARMREST, REAR SEAT	2
51	615713						SEAT FRAME SUPPORT.....	2
52	615728						FOOTREST BRACKET (PASSENGER SIDE)	1
53	615727						FOOTREST BRACKET (DRIVER SIDE).....	1
54	01006G01						HEX HEAD BOLT, 3/8" - 16 X 1 1/4" LG.....	4
55	00427G4						HEX HEAD BOLT, 3/8" - 16 X 1 1/2" LG.....	12
56	00429G2						HEX HEAD BOLT, 3/8" - 16 X 3 1/4" LG.....	2

When ordering parts, please specify the model and serial number of the product.

* Indicates a component that is not available as an individual part.

*** Indicates consult Customer Service Department for additional information.

ITEM	PART NO.	1 2 3 4 5	DESCRIPTION	QTY.
57	16705G9		TRUSS HEAD PHILLIPS SCREW (SS), 1/4" - 20 X 1 1/4" LG.....	4
58	614221		FLAT WASHER, 3/8"	32
59	00559G7		FLAT WASHER, 1/4"	4
60	11098G5		LOCK NUT, 3/8" - 16	14
61	11027G5		LOCK NUT, 3/8" - 16	4
62	14390G4		LOCK NUT, 1/4" - 20	4
63	19853G1		SQUARE TUBE CAP, 1"	2
64	617901		HANDRAIL KIT, FLIP FLOP SEAT (INCLUDES ITEMS 65 - 70)	1
65	615721		FOOTREST HANDLE WELDMENT	1
66	19859G1		SQUARE TUBE CAP, 3/4"	2
67	610631		DECAL.....	1
68	00427G8		HEX HEAD BOLT, 3/8" - 16 X 2" LG.....	4
69	614221		FLAT WASHER, 3/8"	8
70	11098G5		LOCK NUT, 3/8" - 16	4
71				
72	71751GXX		SEAT BACK ASSEMBLY	1
73				
74				
75				
76				
77				
78				
79	634184		HANDRAIL KIT, FLIP-FLOP SEAT (INCLUDES ITEMS 66 - 70, 80) (FOR VEHICLES MANUFACTURED FROM MARCH 2014).....	1
80	631485		FOOTREST HANDLE WELDMENT	1
81	***		SEAT BOTTOM ASSEMBLY (INCLUDES ITEMS 82 - 89) (FOR VEHICLES MANUFACTURED FROM MARCH 2014).....	1
			629269G0401 OYSTER	
			629269G0403 TAN	
			629269G0404 GRAY	
			629269G0406 BLACK	
			629269G0407 BROWN	

SEATING

When ordering parts, please specify the model and serial number of the product.

* Indicates a component that is not available as an individual part.

*** Indicates consult Customer Service Department for additional information.

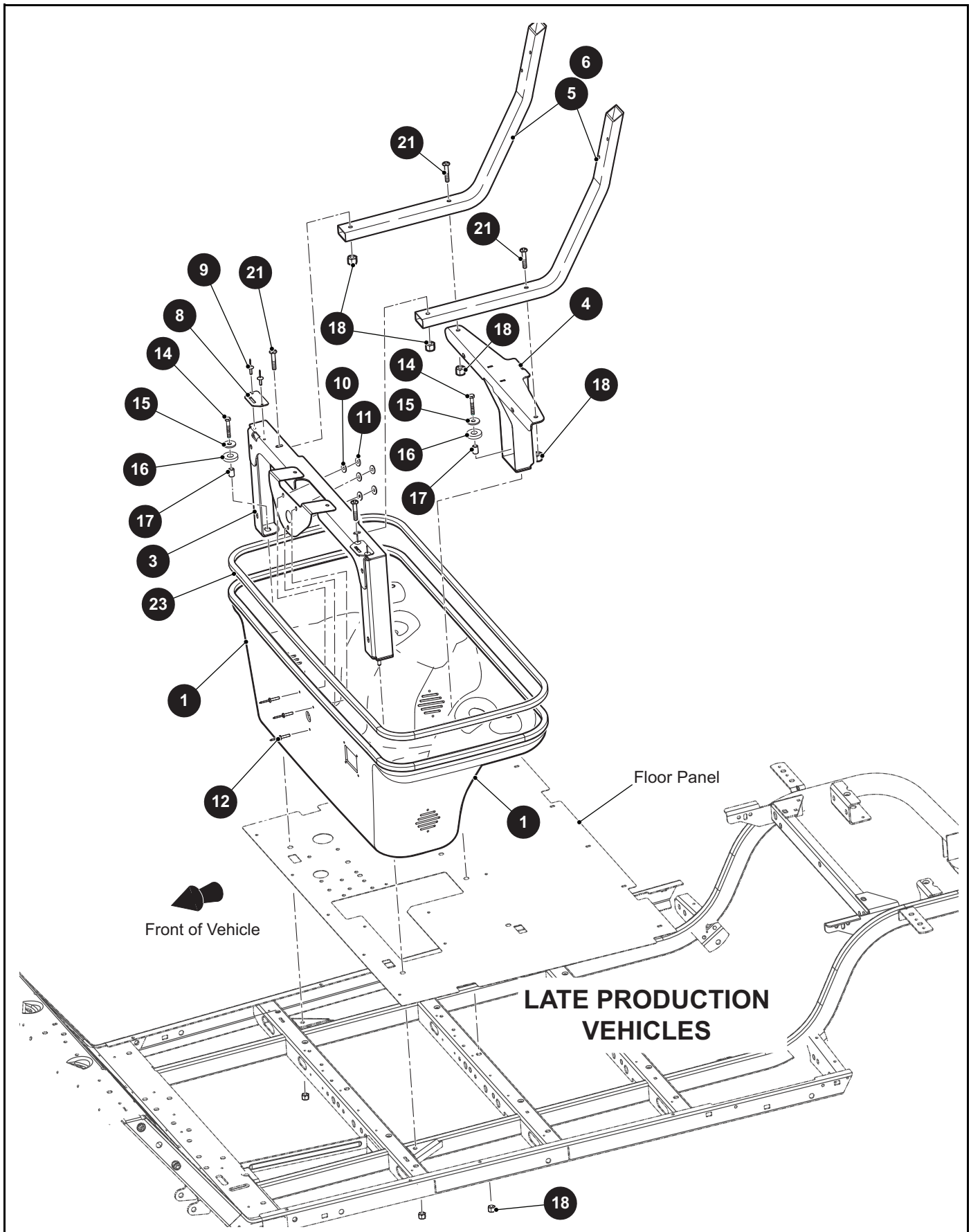
ITEM	PART NO.	1	2	3	4	5	DESCRIPTION	QTY.
							629269G0409 WHITE/BLUE	
							629269G0410 RED/BLACK	
							629269G0411 WHITE/RED	
							629269G0412 WHITE/BLACK	
							629269G0413 WHITE/YELLOW	
							629269G0414 GRAY/BLACK	
							629269G0415 OYSTER/GARNET	
82	***						FRONT SEAT BOTTOM	1
							71624G02 GRAY	
							71624G03 OYSTER	
							71624G04 TAN	
							71624G06 BROWN	
							71624G07 BLACK	
83	***						VINYL SEAT BOTTOM COVER	1
							604912G0103 WHITE/RED	
							604912G0104 WHITE/BLACK	
							604912G0108 WHITE/YELLOW	
							604912G0704 GRAY/BLACK	
							604912G0506 OYSTER/GARNET	
							604912G0304 RED/BLACK	
							604912G0102 WHITE/BLUE	
84	71625G01						FOAM PADDING (SEAT BOTTOM)	1
85	645494						SEAT BOTTOM	1
86	615417						BUTTON HEAD TORX BOLT, M10 - 1.5 X 25MM LG	8
87	23222G1						FLAT STAPLE, 3/8"	110
88	617645						HIP RESTRAINT (DRIVER SIDE)	1
89	617644						HIP RESTRAINT (PASSENGER SIDE)	1
90								
91	***						FLIP FLOP SEAT BOTTOM ASSEMBLY (INCLUDES ITEMS 43 - 45, 92) (FOR VEHICLES MANUFACTURED FROM MARCH 2014)	1
							628058G01 OYSTER	
							628058G03 TAN	
							628058G04 GRAY	
							628058G06 BLACK	
							628058G07 BROWN	
							628058G09 WHITE/BLUE	

When ordering parts, please specify the model and serial number of the product.

* Indicates a component that is not available as an individual part.

*** Indicates consult Customer Service Department for additional information.

ITEM	PART NO.	1	2	3	4	5	DESCRIPTION	QTY.
		628058G10					RED/BLACK	
		628058G11					WHITE/RED	
		628058G12					WHITE/BLACK	
		628058G13					WHITE/YELLOW	
		628058G14					GRAY/BLACK	
		628058G15					OYSTER/GARNET	
92	634190						DECK BOARD ASSEMBLY (FOR VEHICLES MANUFACTURED FROM MARCH 2014)	1
93	634175						REAR SEAT ARM REST (FOR VEHICLES MANUFACTURED FROM MARCH 2014).....	2
94	634179						FOOTREST WELDMENT (FOR VEHICLES MANUFACTURED FROM MARCH 2014).....	1



When ordering parts, please specify the model and serial number of the product.

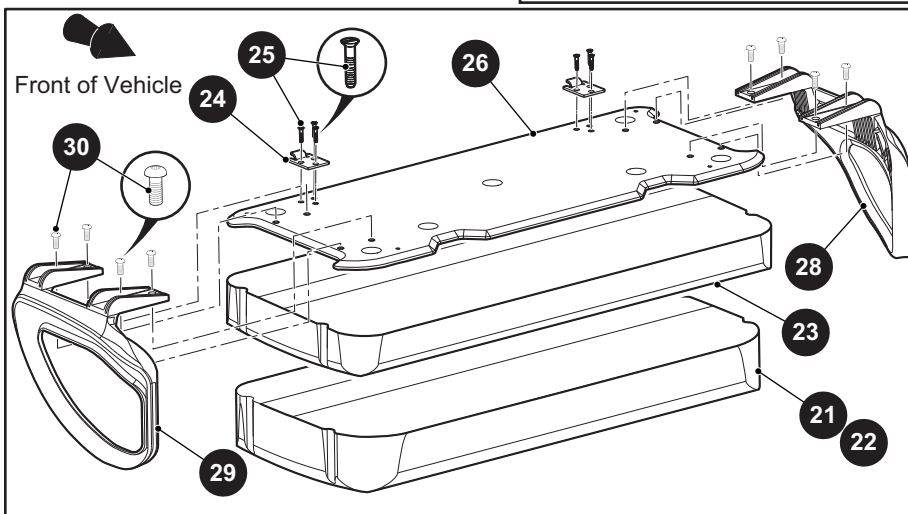
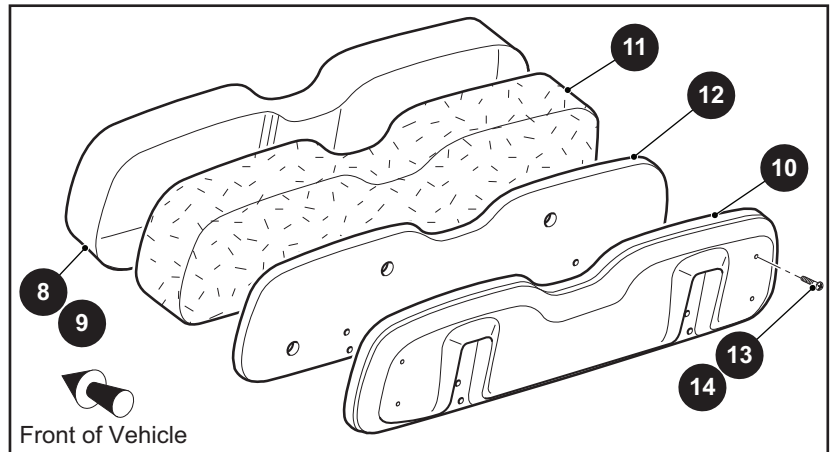
* Indicates a component that is not available as an individual part.

*** Indicates consult Customer Service Department for additional information.

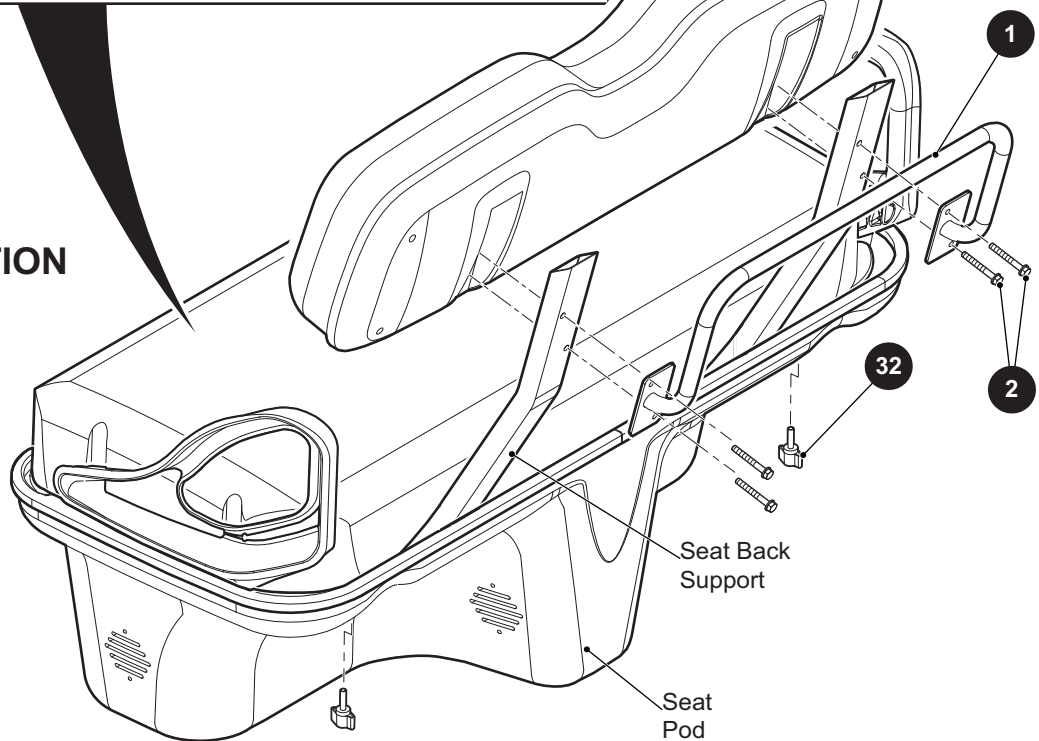
ITEM	PART NO.	1 2 3 4 5	DESCRIPTION	QTY.
1	648313GXX		SEAT POD	1
2				
3	654767		SEAT SUPPORT	1
4	657681		REAR SEAT SUPPORT	1
5	648523		SEAT BACK SUPPORT TUBE (FOR VEHICLES MANUFACTURED BEFORE AUGUST 17, 2019).....	2
6	694377		SEAT BACK SUPPORT TUBE (FOR VEHICLES MANUFACTURED AFTER AUGUST 17, 2019).....	2
7				
8	71609G01		HINGE PLATE.....	2
9	10570G11		RIVET (SS), 3/16" X .70" LG.....	4
10	00660G5		FLAT WASHER (SS), #10.....	3
11	01110G01		FLAT WASHER, 1/4".....	3
12	71055G01		RIVET (ALUMINUM), 3/16" X 1" LG	3
13				
14	00439G8		HEX HEAD BOLT (SS), 5/16" - 18 X 2" LG	3
15	00675G1		WASHER (SS), .398" I.D. X 1.25" O.D. X .115" LG	3
16	71883G01		WASHER (RUBBER), .625" I.D. X 1.50" O.D. X .312" LG.....	3
17	23726G9		SPACER, .312" I.D. X .562" O.D. X .750" LG	3
18	11098G6		LOCK NUT, 5/16" - 18.....	7
19				
20				
21	00762G6		TRUSS HEAD PHILLIPS SCREW (SS), 5/16" - 18 X 3/4" LG.....	4
22				
23	32805G6		TRIM, 118" LG	1

SEATING

- 6** SEAT BACK ASSEMBLY
includes items 8, 10 - 13
- 7** SEAT BACK ASSEMBLY
includes items 9 - 12, 14
- 17** SEAT BOTTOM ASSEMBLY
includes items 22 - 30
- 18** SEAT BOTTOM ASSEMBLY
includes items 21, 23 - 30



**LATE PRODUCTION
VEHICLES**



When ordering parts, please specify the model and serial number of the product.

* Indicates a component that is not available as an individual part.

*** Indicates consult Customer Service Department for additional information.

ITEM	PART NO.	1 2 3 4 5	DESCRIPTION	QTY.
1	71632G01		HAND GRIP WELDMENT.....	2
2	71204G02		MACHINE SCREW WITH PATCH LOCK, 1/4" - 20 X 2" LG.....	8
3				
4				
5				
6	***		SEAT BACK ASSEMBLY (INCLUDES ITEM 8, 10 - 13)..... 606828 RED/BLACK 604908 WHITE/BLUE 604907 WHITE/RED 615838 WHITE/BLACK 620794 WHITE/YELLOW 620796 GRAY/BLACK 615837 OYSTER/GARNET	2
7	***		SEAT BACK ASSEMBLY (INCLUDES ITEM 9 - 12, 14)..... 71751G01 WHITE 71751G03 OYSTER 71751G04 TAN 71751G06 BROWN 71751G07 BLACK	2
8	***		VINYL SEAT BACK COVER..... 604916G0304 RED/BLACK 604912G0102 WHITE/BLUE 604912G0103 WHITE/RED 604916G0104 WHITE/BLACK 604916G0108 WHITE/YELLOW 604916G0704 GREY/BLACK 604916G0506 OYSTER/GARNET	1
9	***		VINYL SEAT BACK COVER..... 71753G01 WHITE 71753G03 OYSTER 71753G04 TAN 71753G06 BROWN 71753G07 BLACK	1
10	71752G01		REAR SEAT BACK COVER.....	1
11	71754G01		SEAT BACK PADDING	1
12	645021		SEAT BACK BASE	1
13	648271		PAN HEAD TORX SCREW (SS), #8 - 15 X 1" LG	4
14	01107G01		PAN HEAD TORX SCREW (SS), #8 X .63" LG.....	4
15				
16				

SEATING

When ordering parts, please specify the model and serial number of the product.

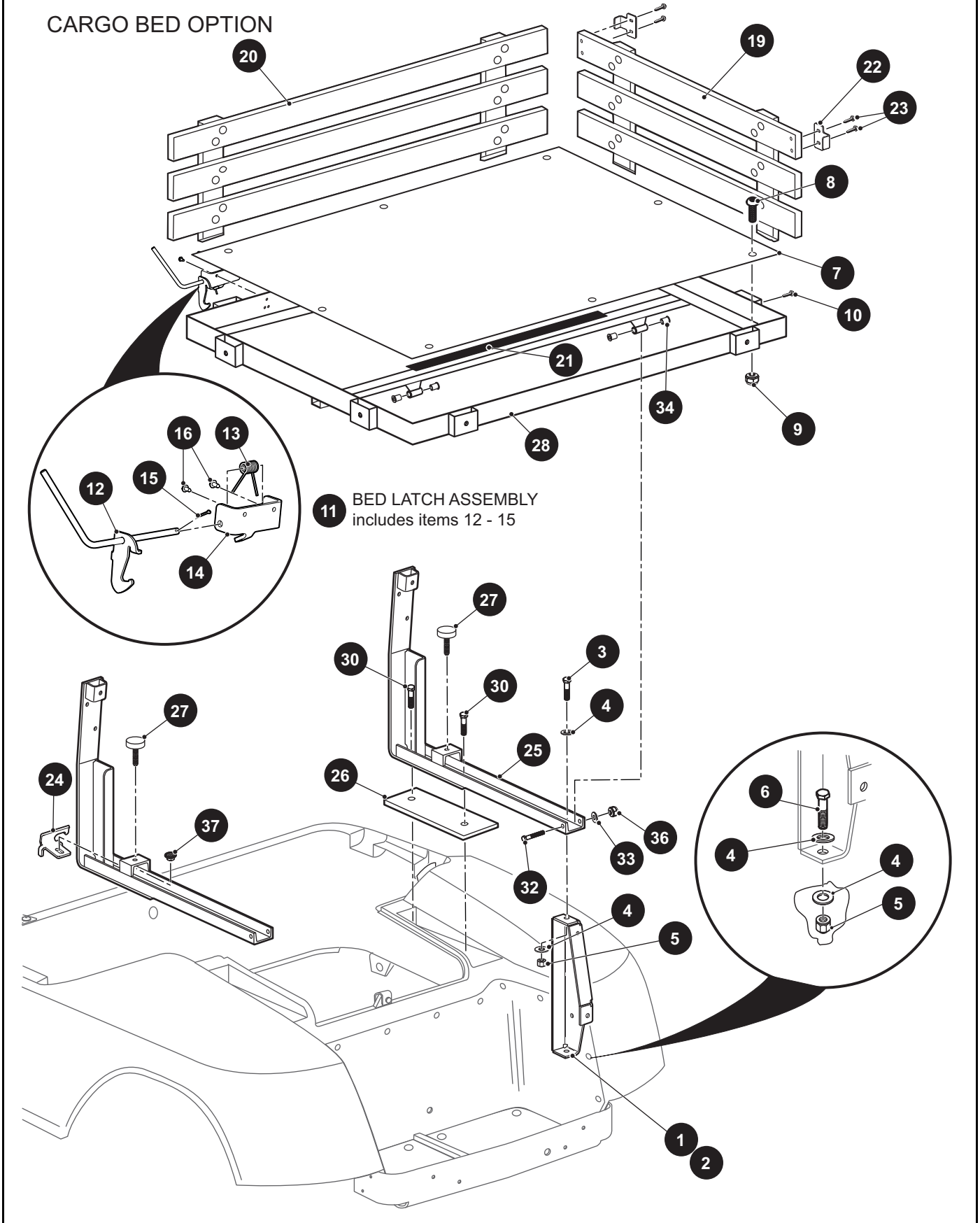
* Indicates a component that is not available as an individual part.

*** Indicates consult Customer Service Department for additional information.

ITEM	PART NO.	1	2	3	4	5	DESCRIPTION	QTY.
17	***						SEAT BOTTOM ASSEMBLY (INCLUDES ITEM 22 - 30) 629269G1701 OYSTER 629269G1703 TAN 629269G1704 GRAY 629269G1706 BLACK 629269G1707 BROWN	1
18	***						SEAT BOTTOM ASSEMBLY (INCLUDES ITEM 21, 23 - 30) 629269G1709 WHITE/BLUE 629269G1710 RED/BLACK 629269G1711 WHITE/RED 629269G1712 WHITE/BLACK 629269G1713 WHITE/YELLOW 629269G1714 GRAY/BLACK 629269G1715 OYSTER/GARNET	1
19								
20								
21	***						VINYL SEAT COVER 604912G0102 WHITE/BLUE 604912G0103 WHITE/RED 604916G0104 WHITE/BLACK 604916G0108 WHITE/YELLOW 604916G0304 RED/BLACK 604916G0506 OYSTER/GARNET 604916G0704 GREY/BLACK	1
22	***						VINYL SEAT COVER 71624G03 OYSTER 71624G04 TAN 71624G02 GRAY 71624G07 BLACK 71624G06 BROWN	1
23	71625G01						SEAT BOTTOM PADDING.....	1
24	71610G01						SEAT HINGE.....	2
25	00720G08						FLAT HEAD PHILLIPS SCREW, #12 -14 X 1" LG	6
26	649851						SEAT BOTTOM BASE	1
27								
28	617645						HIP RESTRAINT (DRIVER SIDE)	1
29	617644						HIP RESTRAINT (PASSENGER SIDE).....	1
30	615417						BUTTON HEAD TORX BOLT, M10 - 1.5 X 25MM LG	8
31								
32	70864G01						T-KNOB STUD, 1/4" - 20 X 1" LG	4

TRUCK BED

CARGO BED OPTION



When ordering parts, please specify the model and serial number of the product.

* Indicates a component that is not available as an individual part.

*** Indicates consult Customer Service Department for additional information.

ITEM	PART NO.	1 2 3 4 5	DESCRIPTION	QTY.
1	74126G01		REAR SUPPORT FRAME (DRIVER SIDE)	1
2	74126G02		REAR SUPPORT FRAME (PASSENGER SIDE)	1
3	00426G8		HEX HEAD BOLT, 3/16" - 16 X 1" LG, GRADE 5	2
4	00560G1		FLAT WASHER, 3/8"	8
5	11098G5		LOCK NUT, 3/8" - 16	4
6	00427G4		HEX HEAD BOLT, 3/8" - 16 X 1 1/2" LG, GRADE 5	2
7	655936		CARGO DECKBOARD	1
8	16705G9		TRUSS HEAD PHILLIPS SCREW (SS), 1/4" - 20 X 1 1/4" LG	8
9	14390G4		LOCK NUT, 1/4" - 20	8
10	00666G6		TRUSS HEAD THREAD FORMING SCREW (SS), #10 - 12 X 3/4" LG	6
11	72913G01		BED LATCH ASSEMBLY (INCLUDES ITEMS 12 - 15)	1
12	72912G01		BED LATCH	1
13	70681G01		TORSION SPRING	1
14	74509G01		PIVOT BRACKET	1
15	10387G3		COTTER PIN	1
16	00100G6		HEX WASHER SELF TAPPING SCREW, #10 - 16 X 3/4" LG	2
17				
18				
19	34280G01		CARGO RACK, 30.5"	2
20	34280G02		CARGO RACK, 43"	2
21	23052G1		WEATHER STRIPPING	1
22	74079G02		TAILGATE RETAINER BRACKET	4
23	00666G6		TRUSS HEAD THREAD FORMING SCREW (SS), #10 - 12 X 3/4" LG	8
24	72914G01		LATCH TAB BRACKET (PASSENGER SIDE)	1
25	625525		SEAT SUPPORT WELDMENT	2
26	70364G01		SPACER PLATE	2
27	70113G01		ADJUSTABLE RUBBER BUMPER	2
28	635862		CARGO DECK WELDMENT	1
29				
30	01006G01		HEX HEAD BOLT, 3/8" - 16 X 1 1/4" LG	4
31				

TRUCK BED

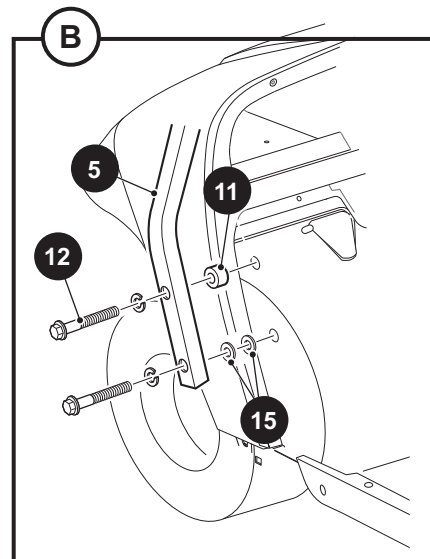
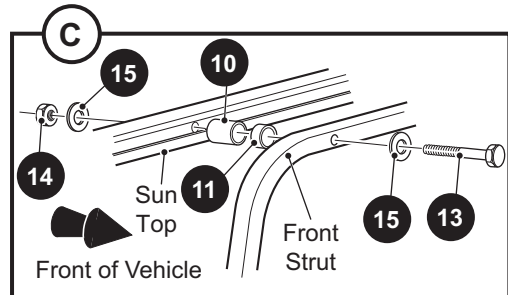
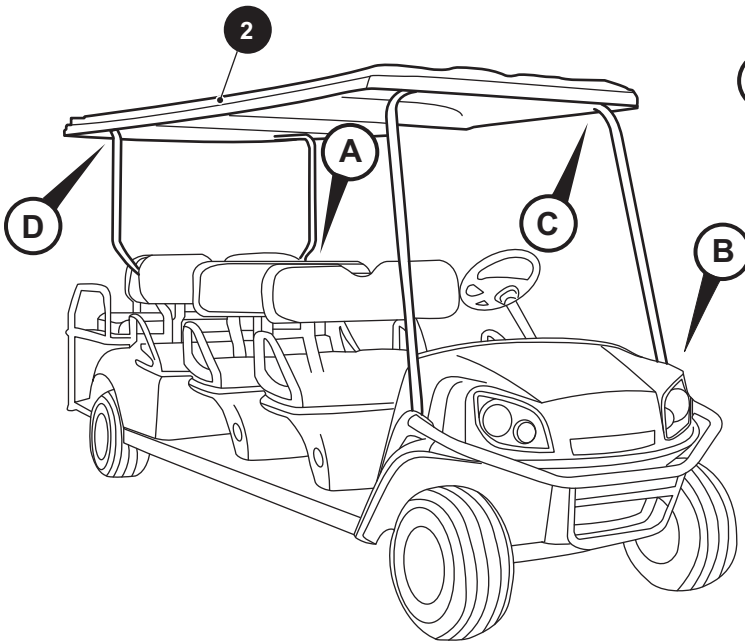
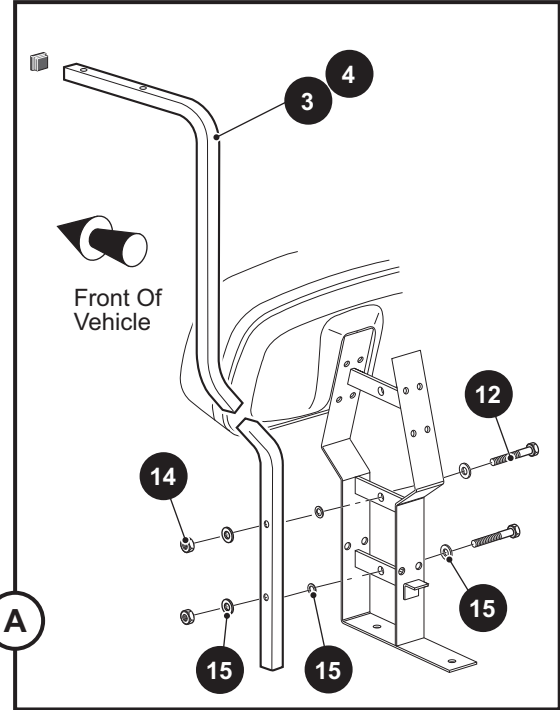
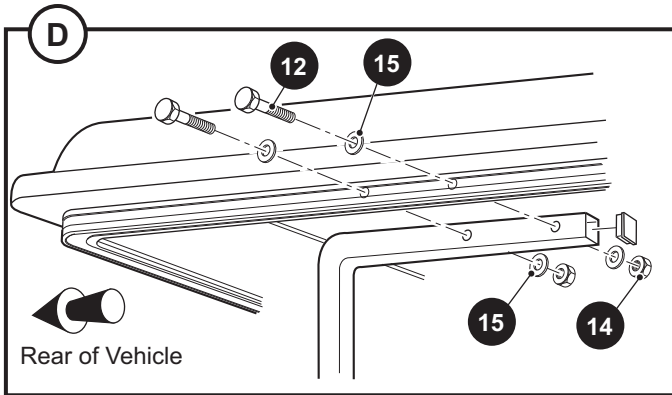
When ordering parts, please specify the model and serial number of the product.

* Indicates a component that is not available as an individual part.

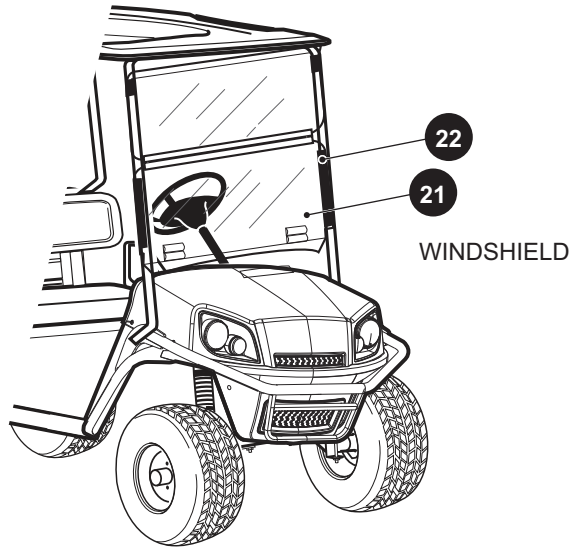
*** Indicates consult Customer Service Department for additional information.

ITEM	PART NO.	1 2 3 4 5	DESCRIPTION	QTY.
32	00440G4		HEX HEAD BOLT, 5/16" 18 X 1 1/4" LG.....	2
33	00559G8		FLAT WASHER, 5/16"	2
34	17838G1		NYLINER BUSHING.....	4
35				
36	11098G6		LOCK NUT, 5/16" - 18	2
37	11027G1		FLANGED LOCK NUT, 5/16" - 18	4

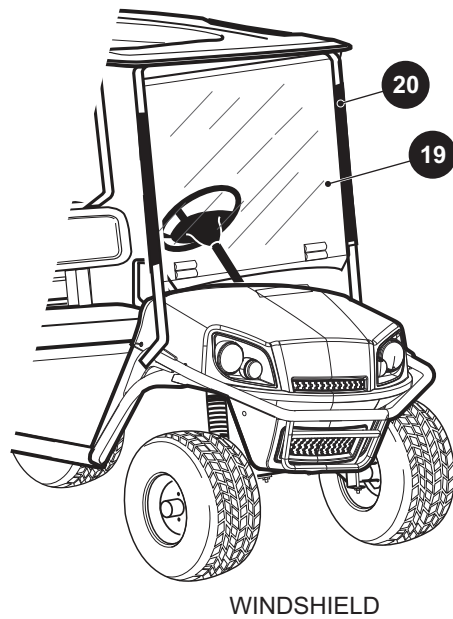
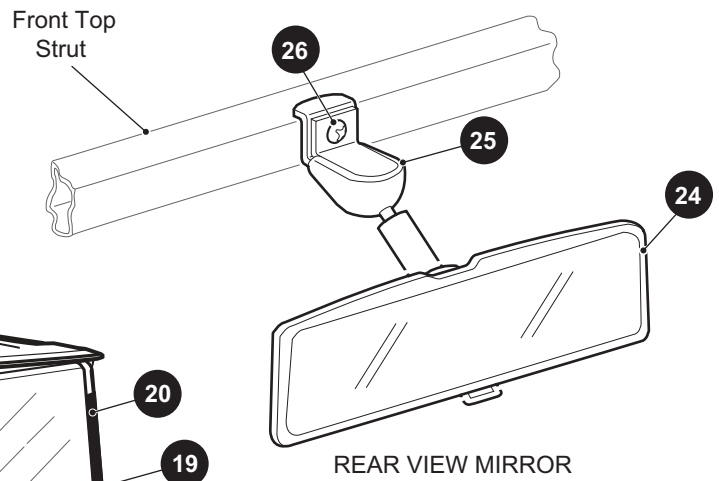
WEATHER PROTECTION



- 1 SUN TOP 140" KIT includes items 2 - 9
- 9 SUN TOP HARDWARE KIT includes items 10 - 16



23 REAR VIEW MIRROR KIT includes items 24 - 26



WEATHER PROTECTION

When ordering parts, please specify the model and serial number of the product.

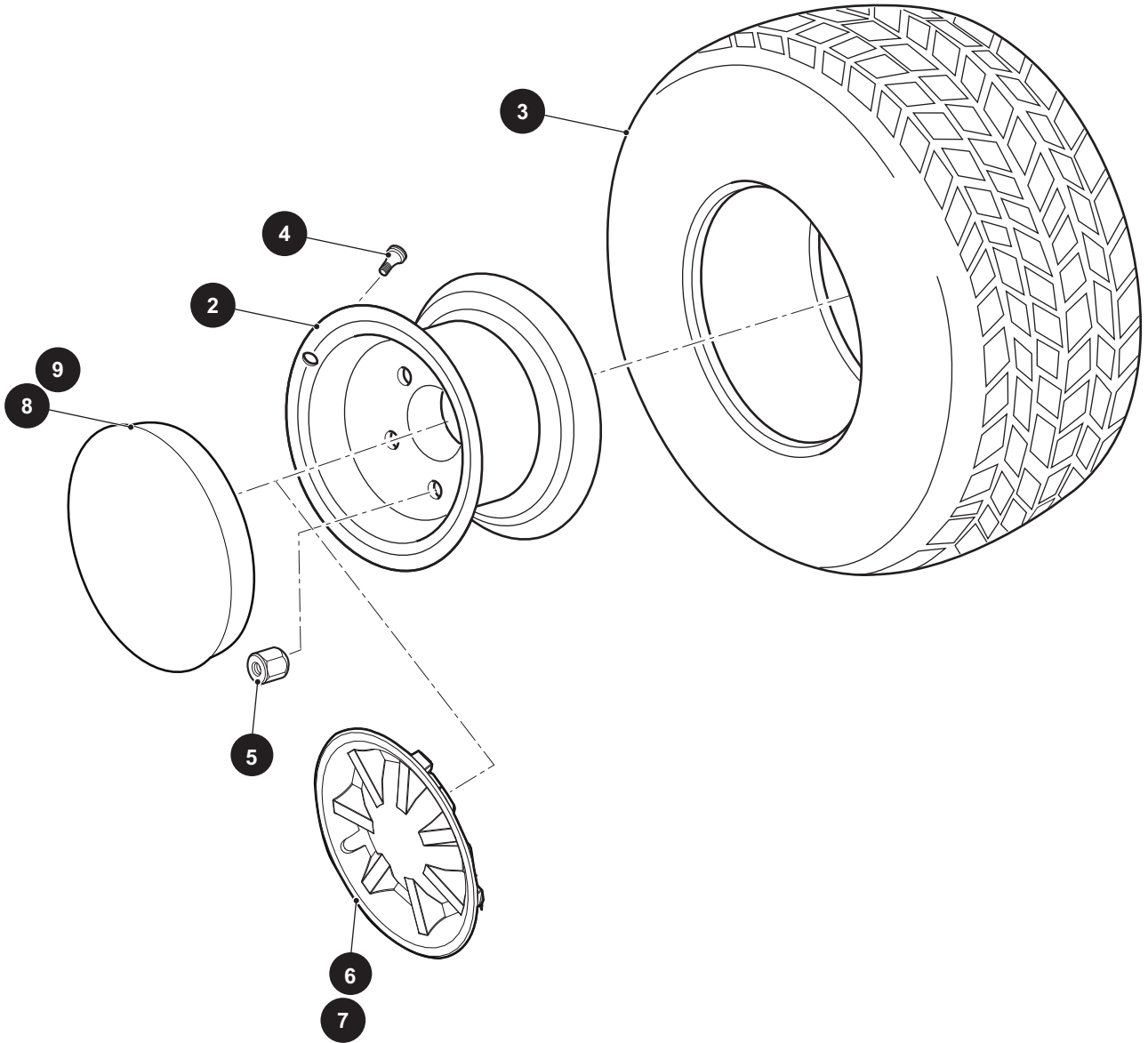
* Indicates a component that is not available as an individual part.

*** Indicates consult Customer Service Department for additional information.

ITEM	PART NO.	1 2 3 4 5	DESCRIPTION	QTY.
1	626706		SUN TOP KIT, 140" (INCLUDES ITEMS 2 - 9).....	1
2	626701		SUN TOP, WHITE	1
3	626704		REAR STRUT, PASSENGER SIDE	1
4	626705		REAR STRUT, DRIVER SIDE.....	1
5	626703		FRONT STRUT	1
6	626702		SUN TOP SUPPORT (NOT ILLUSTRATED)	2
7	22280G1		TRIM, BLACK (NOT ILLUSTRATED)	AR
8				
9	627706		SUN TOP HARDWARE KIT (INCLUDES ITEMS 10 - 16)	1
10	75048G04		SPACER, .328 X .75 X 1" LG	2
11	75048G01		SPACER, .328 X .75 X 1/2" LG	4
12	01035G02		HEX HEAD BOLT, 5/16" - 18 X 2.5" LG.....	12
13	00441G8		HEX HEAD BOLT, 5/16" - 18 X 2" LG.....	2
14	11098G6		PLASTIC INSERT LOCK NUT, 5/16" - 18	10
15	01110G03		FLAT WASHER, 5/16"	28
16	800943		T-SCREW, #10 - 16 X 3/4" LG (NOT ILLUSTRATED).....	8
17				
18				
19	611099		WINDSHIELD KIT	1
20	615662		SASH, 26"	2
21	611100		WINDSHIELD KIT	1
22	615661		SASH, 12"	2
23	19528G2		REAR VIEW MIRROR KIT (INCLUDES ITEMS 24 - 26)	1
24	19496G1		REAR VIEW MIRROR	1
25	19502G2		SUPPORT BRACKET	1
26	19527G1		PAN HEAD SCREW (SS), # 8 - 32 X 5/8" LG.....	1

WHEELS AND TIRES

1 WHEEL AND TIRE ASSEMBLY includes items 2 - 4



WHEELS AND TIRES

When ordering parts, please specify the model and serial number of the product.

* Indicates a component that is not available as an individual part.

*** Indicates consult Customer Service Department for additional information.

ITEM	PART NO.	1 2 3 4 5	DESCRIPTION	QTY.
1	614437		WHEEL AND TIRE ASSEMBLY - LOAD STAR (INCLUDES ITEMS 2 - 4).....	4
2	614621		WHEEL - MONITOR, 8" X 7"	4
3	614438		TIRE	4
4	11657G2		VALVE STEM.....	4
5	14723G1		LUG NUT, 1/2" - 20	16
6	615618		HUB CAP (SILVER) (FOR VEHICLES MANUFACTURED BEFORE JANUARY 8, 2018)	4
7	615617		HUB CAP (GOLD) (FOR VEHICLES MANUFACTURED BEFORE JANUARY 8, 2018)	4
8	665144		WHEEL COVER (METALLIC SILVER) (FOR VEHICLES MANUFACTURED AFTER JANUARY 8, 2018)	4
9	665149		WHEEL COVER (METALLIC GOLD) (FOR VEHICLES MANUFACTURED AFTER JANUARY 8, 2018)	4



CUSHMAN®
LET'S WORK!

E-Z-GO Division of Textron Inc.,
1451 Marvin Griffin Road, Augusta, Georgia 30906 - 3852 USA

TO CONTACT US...

North America:

Technical Assistance & Warranty

Phone: 1-800-774-3946, FAX: 1-800-448-8124

Service Parts

Phone: 1-888-GET-E-Z-GO (1-888-438-3946), FAX: 1-800-752-6175

International:

Phone: 001-706-798-4311, FAX: 001-706-771-4609

Service Parts Manuals, as well as Repair and Service Manuals
are available from a local Distributor, an authorized Branch,
Genuine E-Z-GO Parts & Accessories Department or at www.shopezgo.com.

Copyrighted Material
This manual may not be reproduced in whole or
in part without the express permission of
E-Z-GO Division of Textron Inc.
Technical Communications Department