



Refresher FS4

Service Parts Manual

689444 - A
ISSUED MARCH 2019

SERVICE PARTS MANUAL

GASOLINE EFI POWERED UTILITY VEHICLE

REFRESHER FS4

STARTING MID-MODEL YEAR 2019

Never modify the vehicle in any way that will alter the weight distribution of the vehicle, decrease its stability or increase the speed beyond the factory specifications. Such modifications can cause serious personal injury or death. Textron Specialized Vehicles prohibits and dis-claims responsibility for any such modifications or any other alteration which would adversely affect the safety of the vehicle. TSV reserves the right to incorporate engineering and design changes to products in this manual, without obligation to include these changes on units sold previously.

The information contained in this manual may be revised periodically by TSV, and therefore is subject to change without notice.

TSV DISCLAIMS LIABILITY FOR ERRORS IN THIS MANUAL, and SPECIFICALLY DISCLAIMS LIABILITY FOR INCIDENTAL AND CONSEQUENTIAL DAMAGES resulting from the use of the information and materials in this manual.

These are the original instructions as defined by 2006/42/EC.

TO CONTACT US:

Textron Specialized Vehicles, Inc.
1451 Marvin Griffin Road
Augusta, Georgia, USA 30906-3852

NORTH AMERICA:

Technical Assistance & Warranty PHONE: 1-800-774-3946, FAX: 1-800-448-8124

Service Parts PHONE: 1-888-438-3946, FAX: 1-800-752-6175

International: PHONE: 001-706-798-4311, FAX: 001-706-771-4609

GENERAL INFORMATION

To obtain a copy of the limited warranty applicable to the vehicle, call or write a local Distributor, authorized Branch or the Warranty Department with vehicle serial number and manufacturer code.

The use of non Original Equipment Manufacturer (OEM) approved parts may void the warranty.

Tampering with or adjusting the governor to permit vehicle to operate at above factory specifications will void the vehicle warranty.

When servicing engines, all adjustments and replacement components must be per original vehicle specifications in order to maintain the United States of America Federal and State emission certification applicable at the time of manufacture.

BATTERY PROLONGED STORAGE

All batteries will self discharge over time. The rate of self discharge varies depending on the ambient temperature and the age and condition of the batteries.

A fully charged battery will not freeze in winter temperatures unless the temperature falls below -75° F (-60° C).

BATTERY DISPOSAL

Lead-acid batteries are recyclable. Return whole scrap batteries to distributor, manufacturer or lead smelter for recycling. For neutralized spills, place residue in acid-resistant containers with absorbent material, sand or earth and dispose of in accordance with local, state and federal regulations for acid and lead compounds. Contact local and/or state environmental officials regarding disposal information.

TABLE OF CONTENTS

SECTION	Page No.
HOW TO USE THE SERVICE PARTS MANUAL	v
ACCELERATOR	A - 1
AIR FILTER	B - 1
BODY	C - 1
BRAKES	D - 1
CLUTCH	E - 1
DIRECTION SELECTOR	F - 1
ELECTRICAL	G - 1
ENGINE AND MUFFLER	H - 1
ENGINE MOUNTING	J - 1
FRONT SUSPENSION AND STEERING	K - 1
FUEL SYSTEM	L - 1
REAR AXLE	M - 1
REAR SUSPENSION	N - 1
SEATING	P - 1
STARTER/GENERATOR	R - 1
TRUCK BED	S - 1
WEATHER PROTECTION	T - 1
WHEELS AND TIRES	U - 1
DECALS AND LABELS	V - 1

HOW TO USE THE SERVICE PARTS MANUAL

This manual is divided into several sections:

- GENERAL INFORMATION
- ILLUSTRATED PARTS BREAKDOWN

The first section, GENERAL INFORMATION, contains the following information:

- WARRANTY INFORMATION
- TABLE OF CONTENTS
- HOW TO USE THE SERVICE PARTS MANUAL

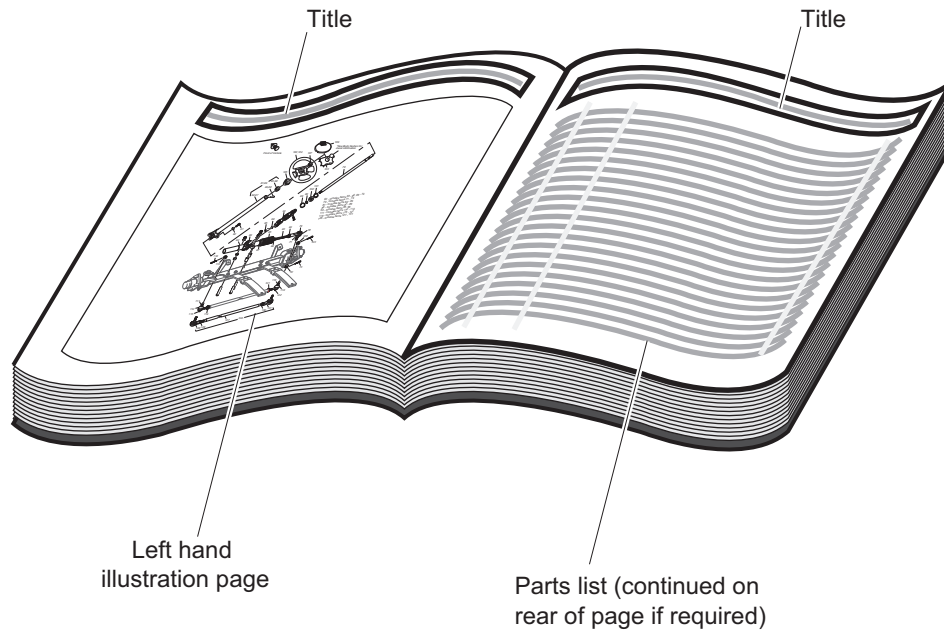
The second section, ILLUSTRATED PARTS BREAKDOWN, contains illustrations and parts lists for all systems of your vehicle.

USE OF THE MANUAL

To use this manual, consult the TABLE OF CONTENTS to locate the information or illustration required.

Introduction of some revisions varies due to supply of components; therefore, it is possible that various combinations of components may be found that are not directly reflected by each illustration. Consult the illustration that best suits your situation and then contact the Service Parts Department. It is important that the serial number or VIN of your vehicle and the model name be supplied to Service Parts when ordering any replacement components.

HOW TO USE THE SERVICE PARTS MANUAL



1. WHEN THE PART NUMBER IS NOT KNOWN

- Determine the function and application of the part required. Turn to the Table of Content and select the most appropriate title.
- Turn to the page number indicated and locate the desired part on the illustration.
- From the illustration, obtain the item number assigned to the desired part. Refer to the accompanying description for specific information regarding the part.

2. IF YOU KNOW THE PART NUMBER

- Locate the part number or description in the appropriate column on the parts list page.

NOTE: It is suggested that you confirm that the part selected is correct by verifying it with the pictorial representation on the illustrated page.

Should an asterisk (*) appear in the part number column on the parts list page, read upwards until a part number is found. The part number is the lowest assembly sold by Service Parts and the asterisk (*) indicates that the part depicted is not available for purchase.

NOTE: Descriptions are indented under the assembly that they are used on. That assembly is, in turn listed under the assembly that it is used on. This process is repeated until the highest final assembly is reached.

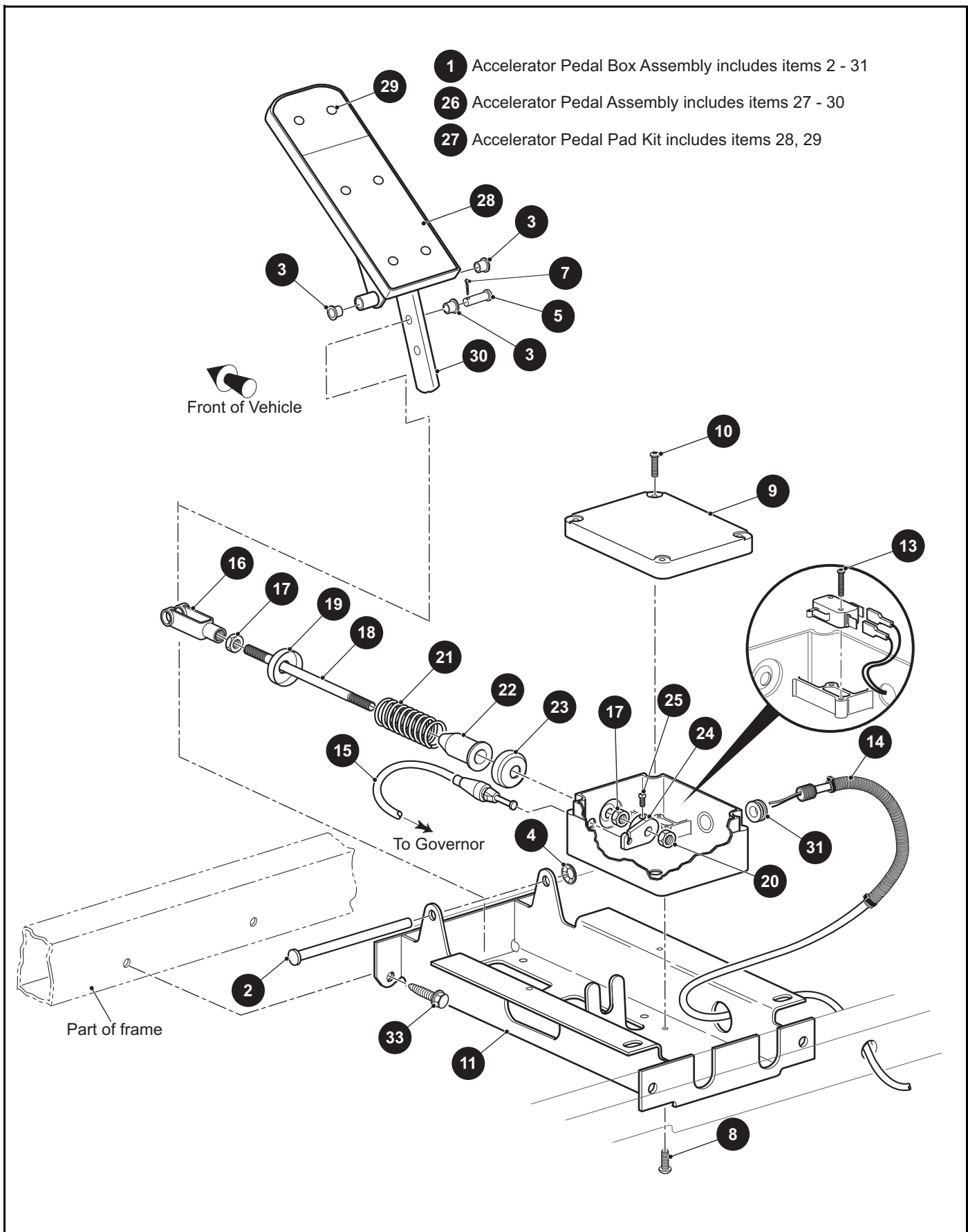
To facilitate the maintenance and repair of the vehicle, a Repair and Service Manual is available from the Service Parts Department.

3. COLOR CODE FOR BODY COMPONENTS

The last two digits of the part number for the body part will denote the color code, locate the part number for the cowl, rear body, seat pod, side panel or seat wrap then locate your color in the list below, replace the last ** or XX with the two digit color code.

<u>CODE #</u>	<u>DESCRIPTION</u>
02	SPECIAL COLOR
11	BLACK
19	PATRIOT BLUE PEARL
20	INFERNO RED METALLIC
26	STEEL BLUE PEARL
31	METALLIC CHARCOAL
35	SAFETY YELLOW
36	IVORY
37	FOREST GREEN
38	BRIGHT WHITE
39	FLAME RED
41	ELECTRIC BLUE
42	PLATINUM
43	BURGUNDY
44	ALMOND
51	SUNBURST ORANGE
52	BRITISH RACING GREEN
68	REAL TREE AP-DIPPED
79	JACOBSEN ORANGE 172

ACCELERATOR



THE USE OF NON U.L. PARTS WILL VOID ANY U.L. LISTING.

When ordering parts, please specify the model and serial number of the product.

* Indicates a component that is not available as an individual part.

*** Indicates consult Customer Service Department for additional information.

ITEM	PART NO.	1 2 3 4 5	DESCRIPTION	QTY.
1	660447		Accelerator Pedal Box Assembly (Includes Items 2 - 31)	1
2	74432G01		Pedal Pivot Pin	1
3	17838G1		Nyliner Bushing	3
4	12064G6		Push Nut.....	1
5	10386G3		Clevis Pin, 5/16" x 13/16"	1
6				
7	10387G3		Cotter Pin, 3/32" x 3/4"	1
8	01051G01		Pan Head Phillips Screw, #8 - 16 x 1/2" Lg	4
9	25853G03		Pedal Box and Cover.....	1
10	00684G6		Truss Head Phillips Screw, #8 - 16 x 1/2" Lg.....	2
11	652241G03		Accelerator Pedal Bracket	1
12				
13	01050G02		Pan Head Torx Screw, #4 - 20 x 5/8" Lg.....	2
14	658940		Pedal Box Harness.....	1
15	608618		Accelerator Cable	1
16	10385G4		Clevis Yoke	1
17	00532G4		Hex Nut, 5/16" - 24	2
18	72072G01		Accelerator Rod.....	1
19	17677G2		Spring Retainer.....	1
20	15126G1		Lock Nut, 5/16" - 24.....	1
21	73046G01		Compression Spring	1
22	17979G1		Accelerator Rod Bushing.....	1
23	17677G1		Spring Retainer.....	1
24	72716G01		Cam (Micro Switch)	1
25	00487G3		Socket Head Screw, 1/4" - 20 x 3/8" Lg.....	1
26	25799G03		Accelerator Pedal Assembly (Includes Items 27 - 30)	1
27	27844G01		Accelerator Pedal Pad Kit (Includes Items 28, 29).....	1
28	27512G01		Pedal Pad	1
29	15766G1		Oval Rivet, 3/8" x 15/32" Lg.....	6
30	*		Accelerator Pedal.....	1
31	654645		Grommet (Rubber)	1

ACCELERATOR

THE USE OF NON U.L. PARTS WILL VOID ANY U.L. LISTING.

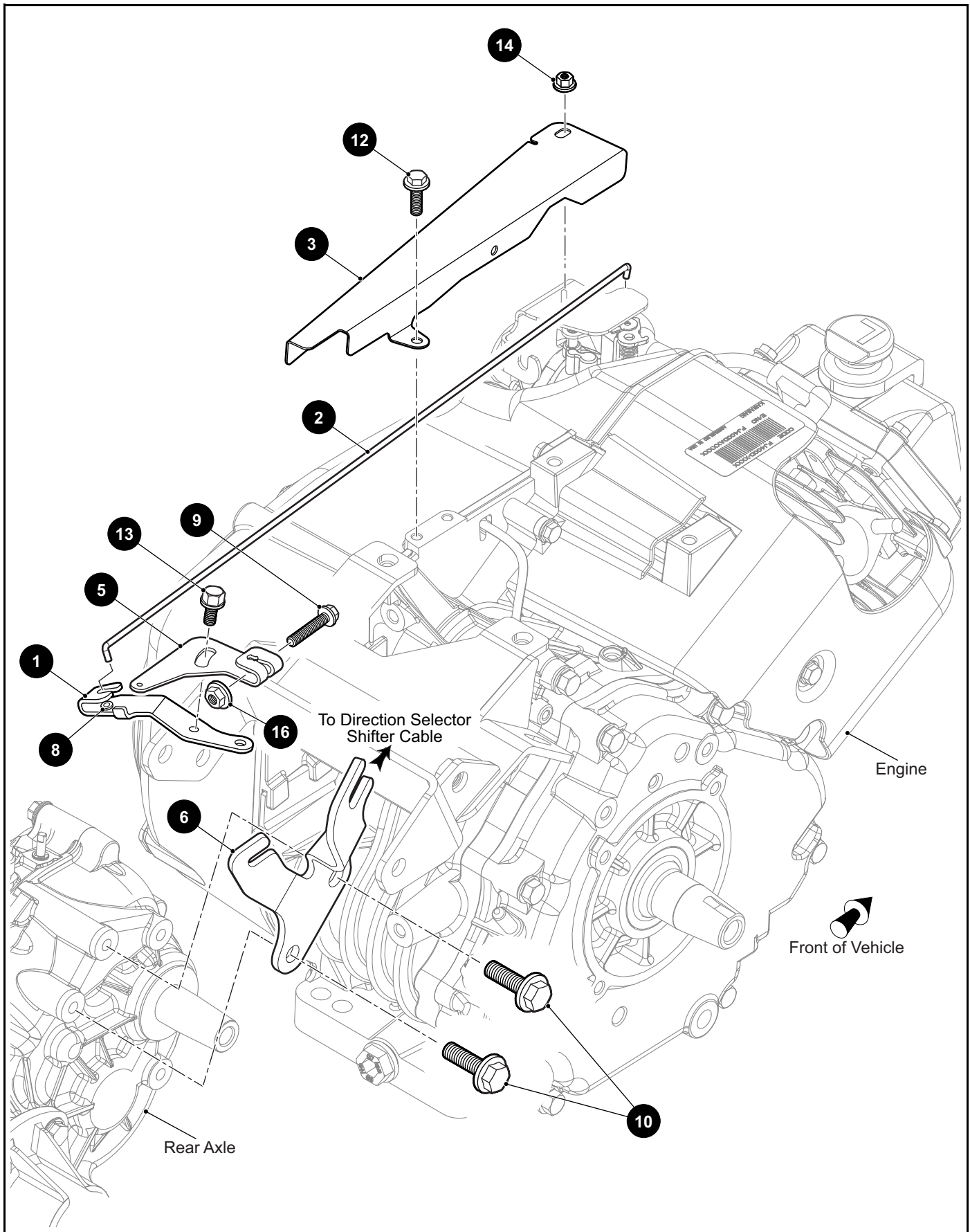
When ordering parts, please specify the model and serial number of the product.

* Indicates a component that is not available as an individual part.

*** Indicates consult Customer Service Department for additional information.

ITEM	PART NO.	1	2	3	4	5	DESCRIPTION	QTY.
32								
33	00715G2						Hex Washer Head Screw, 5/16" - 18 x 3/4" Lg	4
34	17618G1						Nylon Clamp, 8" Lg (Not Illustrated)	3

ACCELERATOR



THE USE OF NON U.L. PARTS WILL VOID ANY U.L. LISTING.

When ordering parts, please specify the model and serial number of the product.

* Indicates a component that is not available as an individual part.

*** Indicates consult Customer Service Department for additional information.

ITEM	PART NO.	1 2 3 4 5	DESCRIPTION	QTY.
1	606005		Governor Bracket (Lower).....	1
2	606284		Governor Link Rod.....	1
3	660005		Governor Rod Guard.....	1
4				
5	606083		Governor Bracket (Upper).....	1
6	632936		Governor Cable / Direction Selector Bracket.....	1
7				
8	606283		Governor Lever Bushing.....	1
9	606421		Flanged Hex Head Bolt, M6 - 1 x 30mm Lg, Grade 8.8.....	1
10	606256		Flanged Hex Head Bolt, M10 - 1.25 x 25mm Lg, Grade 8.8.....	2
11				
12	606264		Flanged Hex Head Bolt, M6 - 1 x 20mm Lg, Grade 8.8.....	1
13	73876G01		Flanged Hex Head Bolt, M6 - 1 x 12mm Lg, Grade 8.8.....	1
14	601476		Lock Nut, M6 - 1.....	1
15				
16	450452		Flanged Hex Nut, M6 - 1.....	1

THE USE OF NON U.L. PARTS WILL VOID ANY U.L. LISTING.

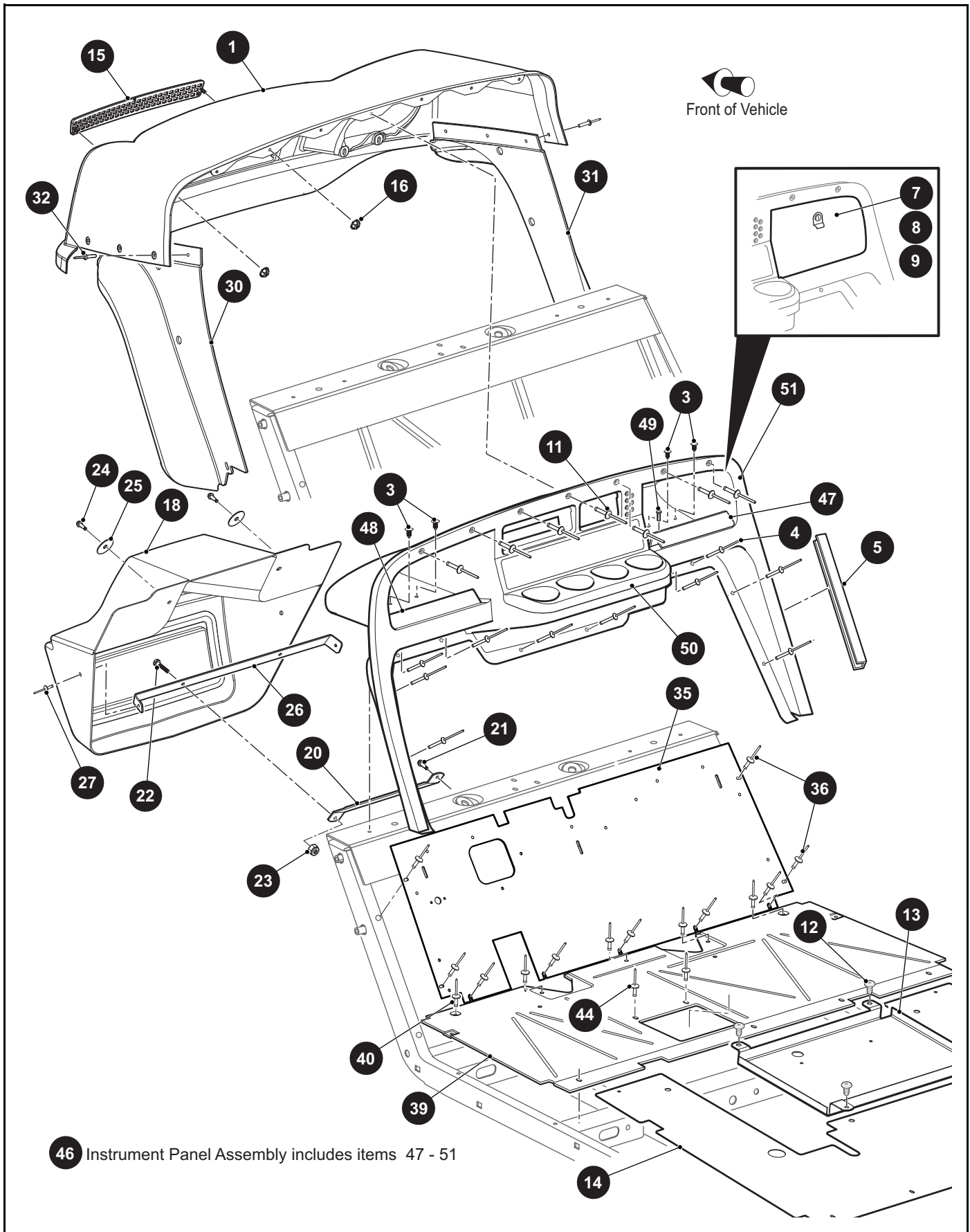
When ordering parts, please specify the model and serial number of the product.

* Indicates a component that is not available as an individual part.

*** Indicates consult Customer Service Department for additional information.

ITEM	PART NO.	1 2 3 4 5	DESCRIPTION	QTY.
1	658941		Air Cleaner Assembly (Includes Items 2 - 6)	1
2	659139		Air Cleaner.....	1
3	658957		Air Cleaner Cover	1
4	72604G01		Air Cleaner Clip	2
5	28463G01		Air Filter	1
6	28462G01		Dust Ejector Valve	1
7				
8				
9	11391G7		Hose Clamp, 1.56" - 2.50" Dia	1
10	601910		Air Filter Hose, 14" Lg	1
11	11391G5		Hose Clamp, 1.31" - 2.25" Dia	1
12	606261		Flanged Hex Head Bolt, M8 - 1.25 x 20mm Lg, Grade 8.8	2
13	606272		Lock Washer, 8mm	2

BODY



THE USE OF NON U.L. PARTS WILL VOID ANY U.L. LISTING.

When ordering parts, please specify the model and serial number of the product.

* Indicates a component that is not available as an individual part.

*** Indicates consult Customer Service Department for additional information.

ITEM	PART NO.	1 2 3 4 5	DESCRIPTION	QTY.
1	613036G0XX		Cowl (See COLOR CODES in HOW TO USE Section)	1
2				
3	16816G2		Ratchet Fastener, 1/4" x .887" Lg.....	4
4	71055G01		Rivet (Aluminum), 3/16" x .985" Lg	10
5	71115G01		Trim (Vinyl)	1
6				
7	75459G01		Glove Box Doors (Both Sides)	1
8	75459G02		Glove Box Door (Driver Side).....	1
9	75459G03		Glove Box Door (Passenger Side)	1
10				
11	71055G01		Rivet (Aluminum), 3/16" x .985" Lg	7
12	70200G01		Truss Head Torx Screw, 3/8" - 16 x 3/4" Lg.....	3
13	609589		Splash Pan.....	1
14	609592		Floor Panel.....	1
15	617643		Cowl Grill Cover	1
16	71597G01		Self Threading Nut, 5mm x 10mm x 15mm	2
17				
18	613273		Front Fascia	1
19				
20	654276		Front Fascia Mounting Brace	1
21	01038G01		Hex Washer Head Swageform Screw, 1/4" - 20 x .70" Lg	1
22	00414G6		Hex Head Bolt, 1/4" - 20 x 1/2" Lg, Grade 5	1
23	14390G4		Lock Nut, 1/4" - 20	1
24	01038G01		Hex Washer Head Swageform Screw, 1/4" - 20 x .70" Lg	2
25	16469G1		Fender Washer	2
26	654275		Front Fascia Mounting Bracket	1
27	15058G1		Rivet (Aluminum), 3/16" x .450" Lg	2
28				
29				
30	614378		Fender Flare (Driver Side)	1
31	613274		Fender Flare (Passenger Side).....	1

BODY

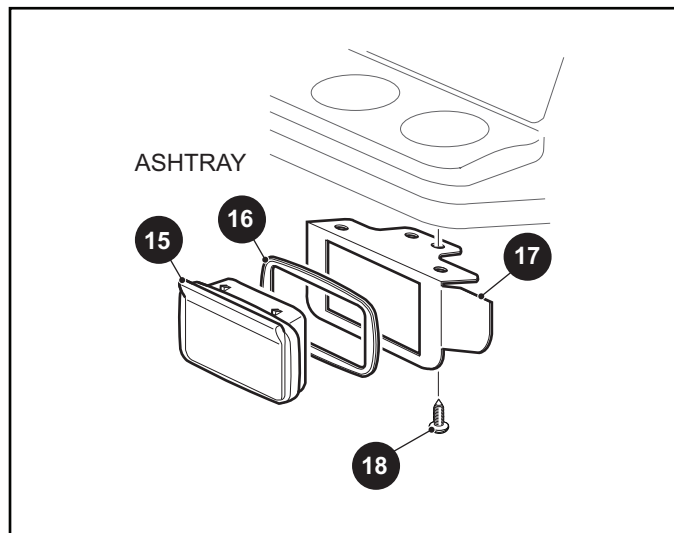
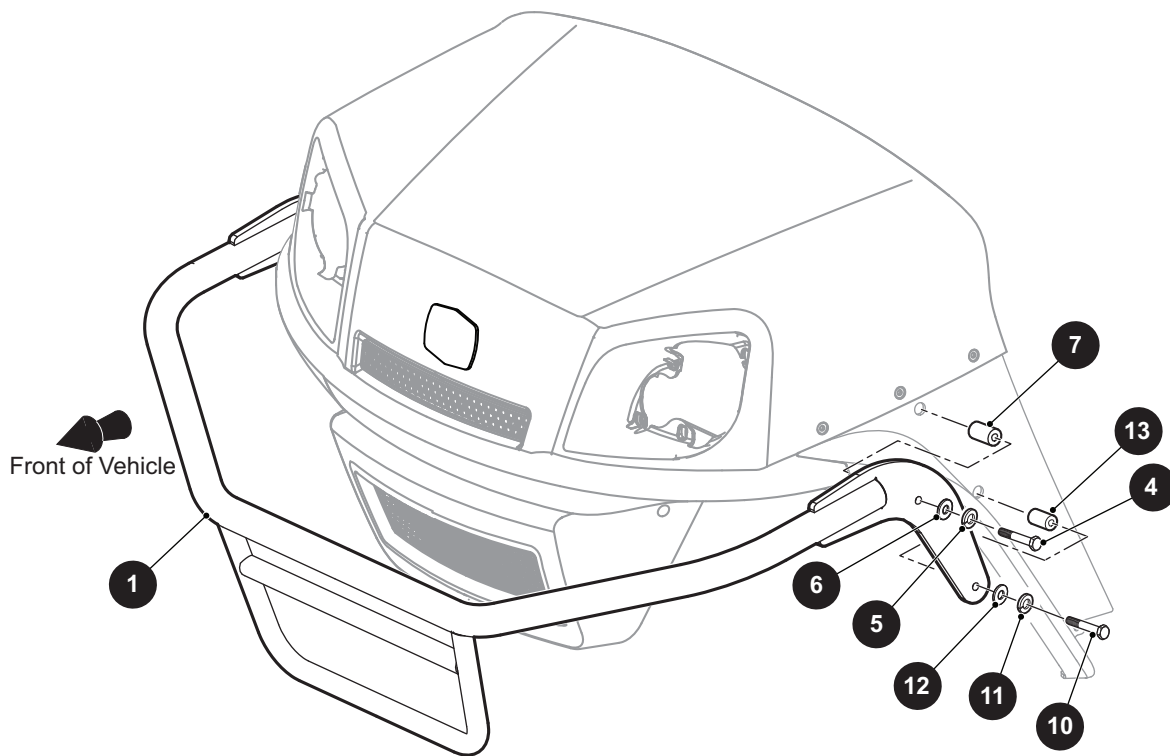
THE USE OF NON U.L. PARTS WILL VOID ANY U.L. LISTING.

When ordering parts, please specify the model and serial number of the product.

* Indicates a component that is not available as an individual part.

*** Indicates consult Customer Service Department for additional information.

ITEM	PART NO.	1 2 3 4 5	DESCRIPTION	QTY.
32	71055G01		Rivet (Aluminum), 3/16" x 1.118" Lg.....	3
33				
34				
35	641260		Upper Floor Panel	1
36	14601G11		Rivet (Aluminum), 3/16" x .575" Lg.....	9
37				
38				
39	70451G01		Lower Floor Panel	1
40	14601G11		Rivet (Aluminum), 3/16" x .575" Lg.....	5
41				
42				
43	70452G01		Access Cover	1
44	14601G11		Rivet (Aluminum), 3/16" x .575" Lg.....	2
45				
46	71151G03		Instrument Panel Assembly (Includes Items 47 - 51)	1
47	71153G01		Deflector (Passenger Side).....	1
48	71154G01		Deflector (Driver Side).....	1
49	00614G3		Pan Head Phillips Screw, #8 - 15 x 3/8" Lg.....	4
50	71158G01		Instrument Panel Insert (Four Cup).....	1
51	71152G01		Instrument Panel	1



THE USE OF NON U.L. PARTS WILL VOID ANY U.L. LISTING.

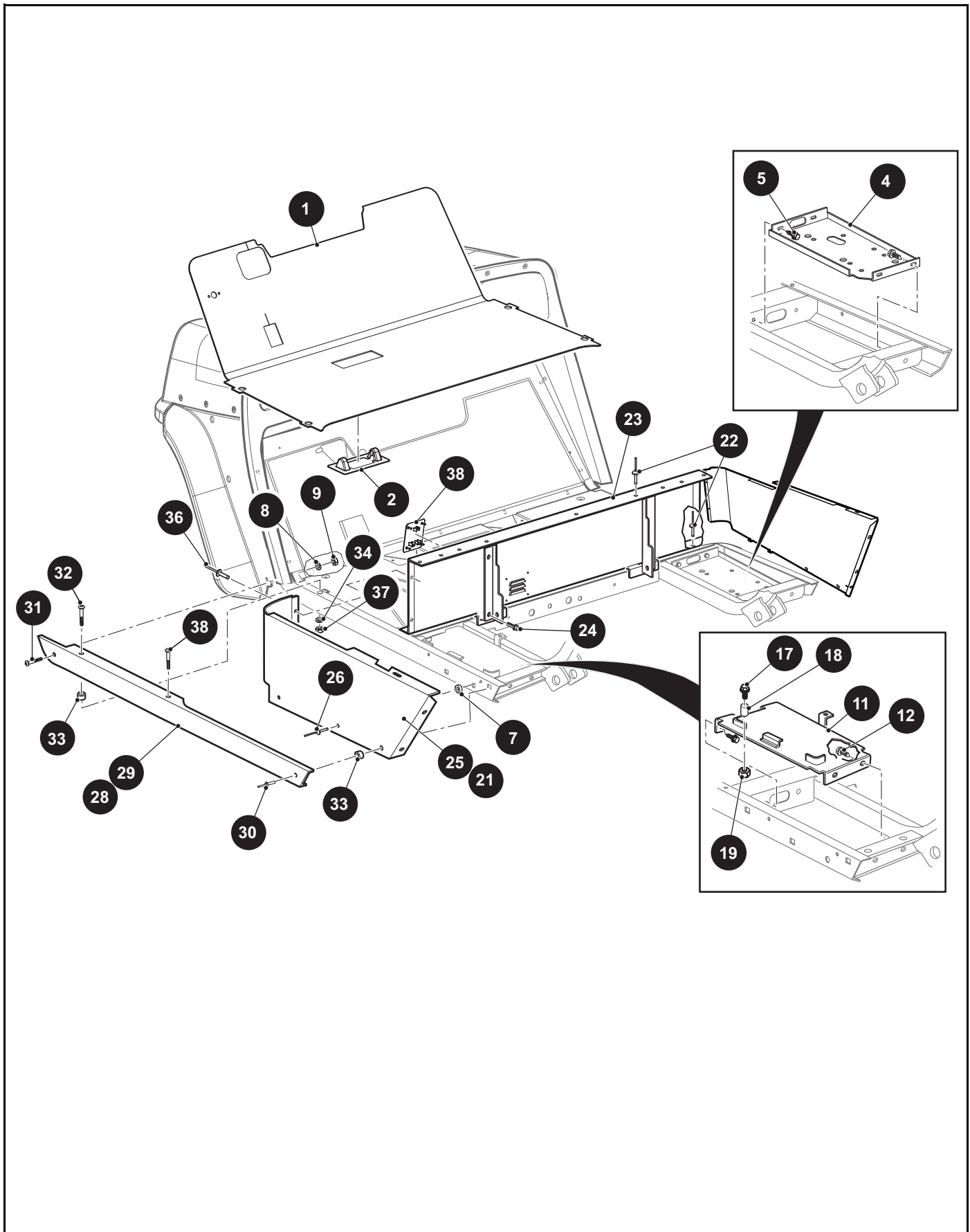
When ordering parts, please specify the model and serial number of the product.

* Indicates a component that is not available as an individual part.

*** Indicates consult Customer Service Department for additional information.

ITEM	PART NO.	1 2 3 4 5	DESCRIPTION	QTY.
1	617620		Brushguard	1
2				
3				
4	00440G6		Hex Head Bolt, 5/16" - 18 x 2 3/4" Lg, Grade 5	2
5	00565G8		Lock Washer, 5/16"	2
6	00559G8		Flat Washer, 5/16"	2
7	75048G02		Spacer, 1.31" Lg.....	2
8				
9				
10	00440G2		Hex Head Bolt, 5/16" - 18 x 2 1/4" Lg, Grade 5	2
11	00565G8		Lock Washer, 5/16"	2
12	00559G8		Flat Washer, 5/16"	2
13	75048G04		Spacer, 1" Lg.....	2
14				
15	27731G01		Ashtray	1
16	27736G01		Gasket.....	1
17	75108G02		Bracket.....	1
18	00106G6		Pan Head Phillips Screw, #12 - 14 x .75" Lg.....	4

BODY



THE USE OF NON U.L. PARTS WILL VOID ANY U.L. LISTING.

When ordering parts, please specify the model and serial number of the product.

* Indicates a component that is not available as an individual part.

*** Indicates consult Customer Service Department for additional information.

ITEM	PART NO.	1 2 3 4 5	DESCRIPTION	QTY.
1	70663G06		Floor Mat with Horn Hole (Diamond Plate)	1
2	70135G01		Pedal Pivot Cover	1
3				
4	70244G05		Splash Panel.....	1
5	00715G2		Hex Washer Head Screw, 5/16" - 18 x .8" Lg	4
6				
7	23726G2		Spacer, 1/4".....	2
8	00660G5		Flat Washer (SS), #10.....	2
9	14390G10		Lock Nut, #10 - 24.....	2
10				
11	652441G03		Battery Tray.....	1
12	00715G2		Hex Washer Head Screw, 5/16" - 18 x .8" Lg	4
13				
14				
15	00565G8		Lock Washer, 5/16"	1
16				
17	00439G1		Hex Washer Head Screw, 5/16" - 18 x 1 1/8" Lg, Grade 5.....	1
18	75048G01		Spacer, .328 x .75 x .50	1
19	11098G6		Lock Nut, 5/16" - 18	1
20				
21	602029GXX		Side Panel (Passenger Side) (See COLOR CODES in HOW TO USE Section).....	1
22	10570G10		Rivet (SS), 5/30" x 9/16"	7
23	609842GXX		Seat Panel (See COLOR CODES in HOW TO USE Section)	1
24	00715G2		Hex Head Bolt, 5/16" - 18 x .8" Lg	2
25	602037GXX		Side Panel (Driver Side) (See COLOR CODES in HOW TO USE Section).....	1
26	10570G12		Rivet (Aluminum), 1/4" x 9/16"	2
27				
28	619094		Rocker Panel (Driver Side)	1
29	619095		Rocker Panel (Passenger Side)	1
30	15058G6		Rivet (Aluminum), 3/16" x 7/16"	2

BODY

THE USE OF NON U.L. PARTS WILL VOID ANY U.L. LISTING.

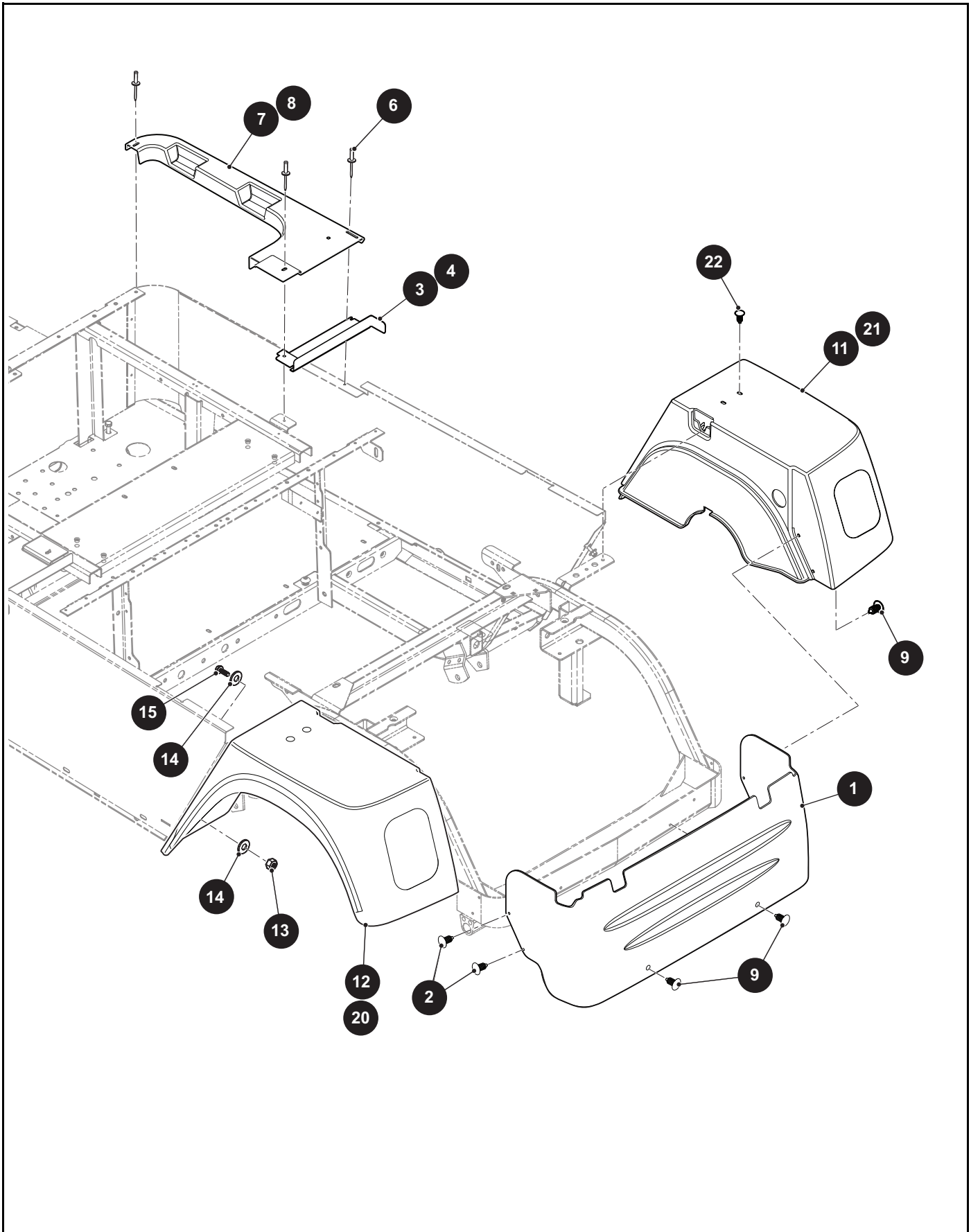
When ordering parts, please specify the model and serial number of the product.

* Indicates a component that is not available as an individual part.

*** Indicates consult Customer Service Department for additional information.

ITEM	PART NO.	1	2	3	4	5	DESCRIPTION	QTY.
31	00789G2						Truss Head Phillips Screw, #10 - 24 x 1 1/4" Lg.....	2
32	634161						Flanged Button Head Torx Bolt (SS), M6 - 1 x 30mm Lg	2
33	23726G4						Spacer, 1/4"	4
34	00559G7						Flat Washer, 1/4"	4
35								
36	10570G10						Rivet (SS), 5/32" x 9/16"	4
37	601476						Lock Nut, 1/4" - 20	4
38	666066						Receptacle Cover Assembly.....	1

BODY



THE USE OF NON U.L. PARTS WILL VOID ANY U.L. LISTING.

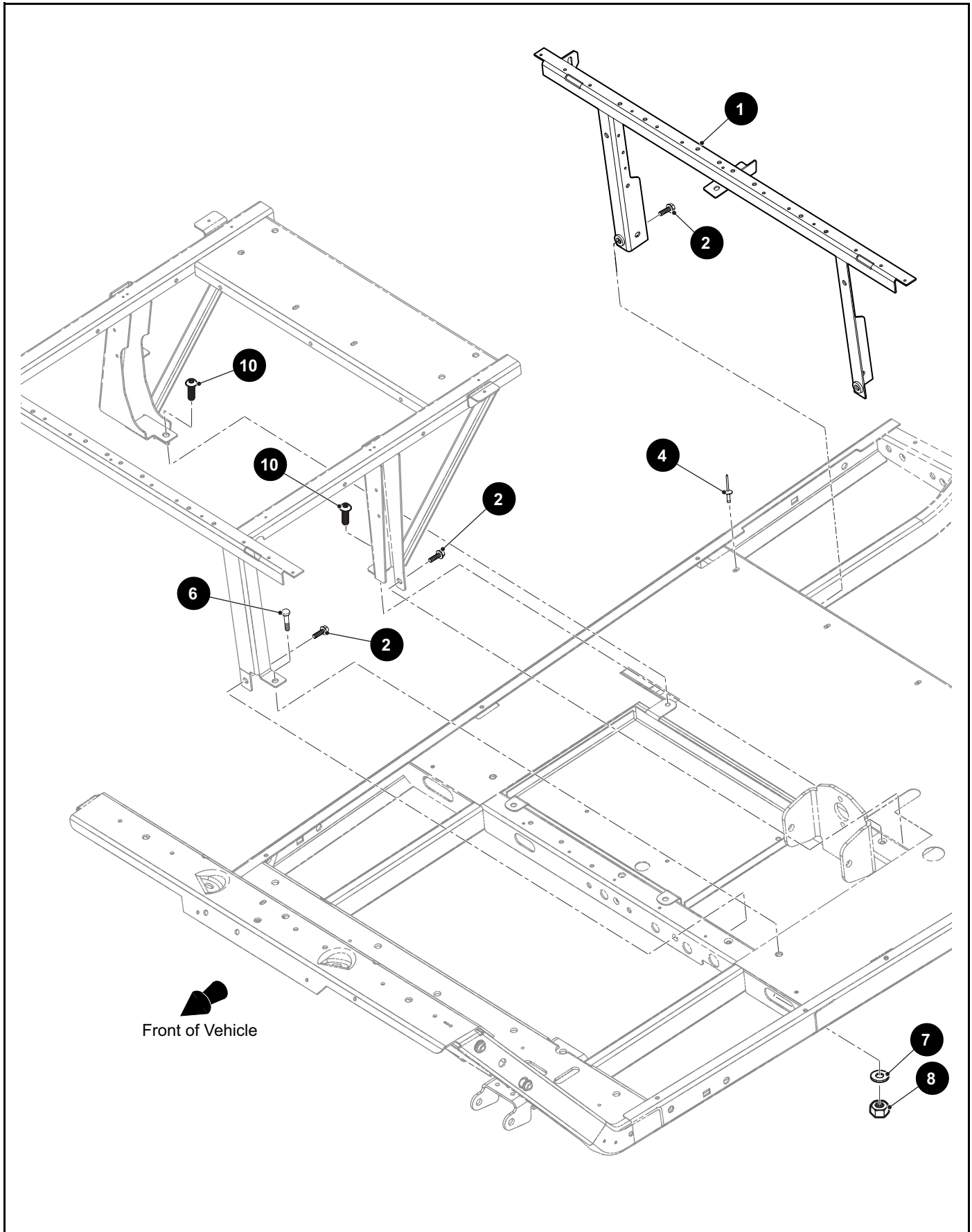
When ordering parts, please specify the model and serial number of the product.

* Indicates a component that is not available as an individual part.

*** Indicates consult Customer Service Department for additional information.

ITEM	PART NO.	1 2 3 4 5	DESCRIPTION	QTY.
1	74890G01		Rear Valance Panel	1
2	16816G2		Ratchet Rivet, .25" x .88"	4
3	600775G02		Cargo Bed Filler (Passenger Side)	1
4	600775G01		Cargo Bed Filler (Driver Side)	1
5				
6	10570G10		Rivet (SS), 1/64" x .55"	3
7	74891G02		Seat Filler Panel (Passenger Side)	1
8	74891G01		Seat Filler Panel (Driver Side).....	1
9	16816G2		Ratchet Rivet, .25" x .88"	4
10				
11	612225		Trimmed Rear Fender (Passenger Side)	1
12	612224		Trimmed Rear Fender (Driver Side).....	1
13	14390G4		Lock Nut, 1/4" - 20	4
14	00642G7		Flat Washer, 1/4"	8
15	00414G6		Hex Head Bolt, 1/4" - 20 x 3/4" Lg, Grade 5	4
16				
17				
18				
19				
20	612226		Rear Fender with Taillight Opening (Driver Side)	1
21	612227		Rear Fender with Taillight Opening (Passenger Side)	1
22	16816G2		Ratchet Rivet, .25" x .88"	2

BODY



THE USE OF NON U.L. PARTS WILL VOID ANY U.L. LISTING.

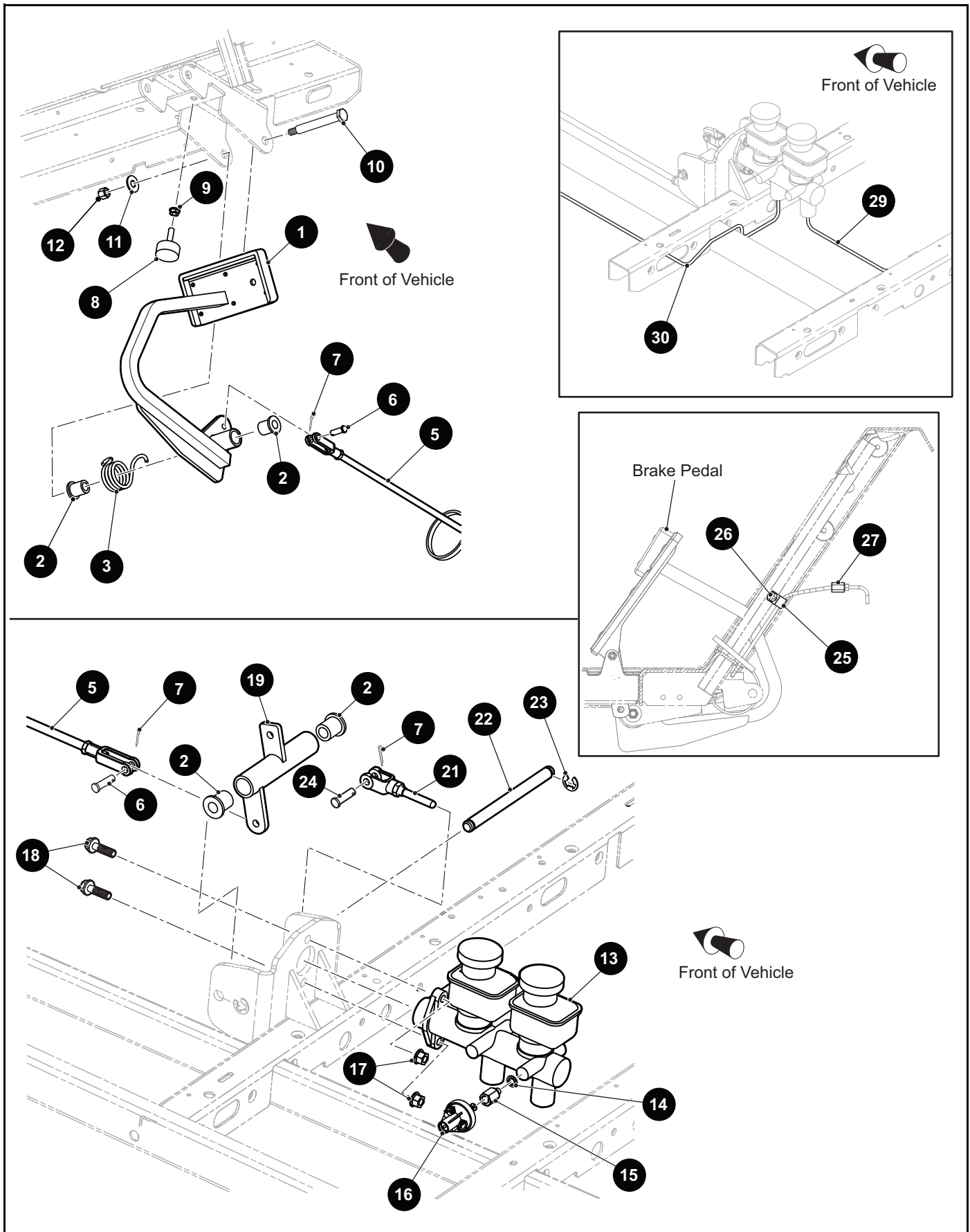
When ordering parts, please specify the model and serial number of the product.

* Indicates a component that is not available as an individual part.

*** Indicates consult Customer Service Department for additional information.

ITEM	PART NO.	1 2 3 4 5	DESCRIPTION	QTY.
1	637538		Seat Frame	1
2	00715G2		Hex Washer Head Screw, 5/16" - 18 x .8" Lg	6
3				
4	10570G10		Rivet (SS), 5/30" x 9/16"	5
5				
6	00438G8		Hex Head Bolt, 5/16" - 18 x 1" Lg, Grade 5	2
7	00559G8		Flat Washer, 5/16"	2
8	11098G6		Lock Nut, 5/16" - 18	2
9				
10	70200G01		Truss Head Torx Screw, 3/8" - 16 x 3/4" Lg.....	2

BRAKES



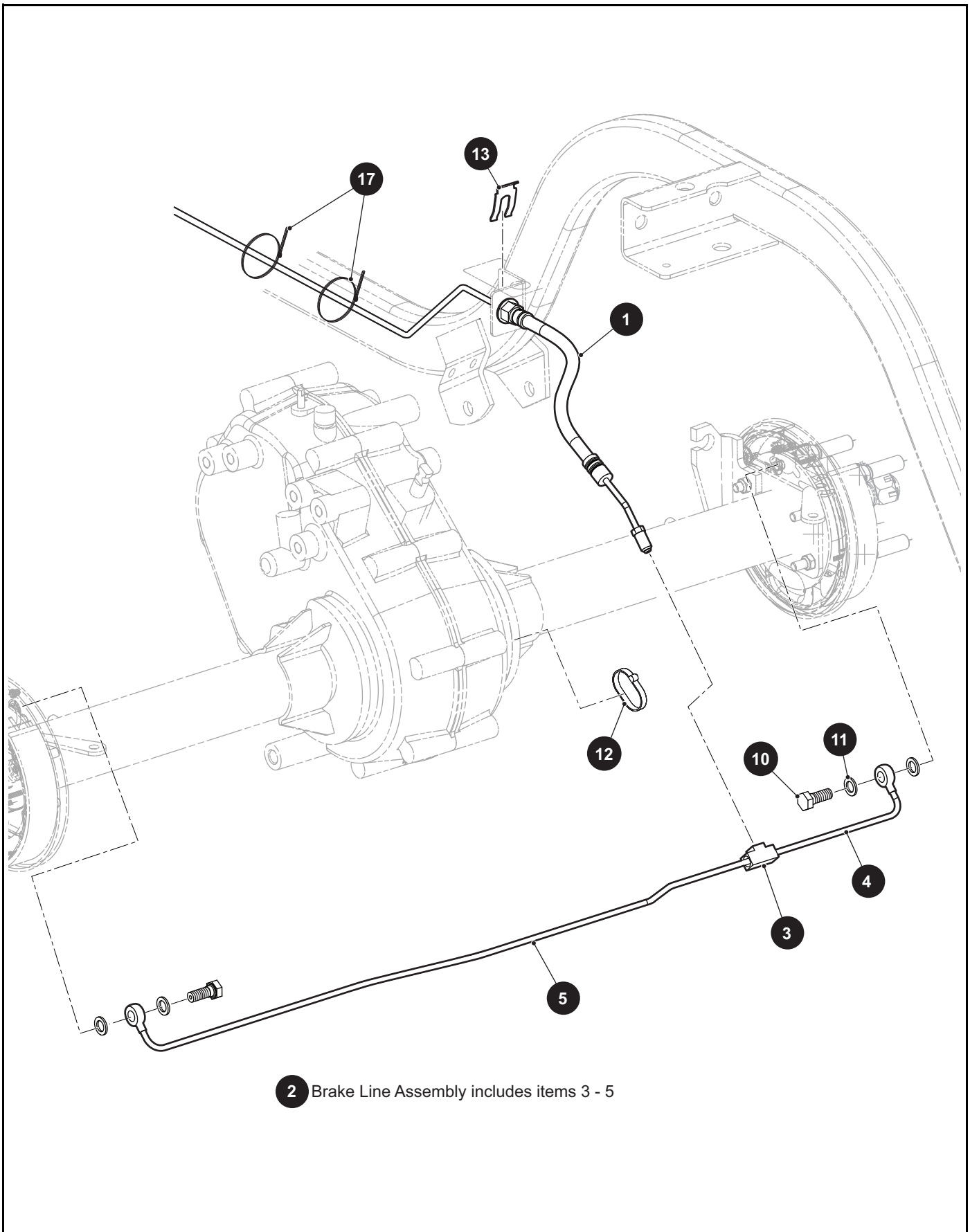
THE USE OF NON U.L. PARTS WILL VOID ANY U.L. LISTING.

When ordering parts, please specify the model and serial number of the product.

* Indicates a component that is not available as an individual part.

*** Indicates consult Customer Service Department for additional information.

ITEM	PART NO.	1 2 3 4 5	DESCRIPTION	QTY.
1	610639		Brake Pedal Assembly	1
2	70581G01		Flanged Bushing, .5" x 1" Lg.....	4
3	70676G01		Spring.....	1
4				
5	609837		Linkage Rod	1
6	10386G3		Clevis Pin, 5/16" x 15/16".....	2
7	10387G3		Cotter Pin, 3/32" x 3/4".....	3
8	70113G01		Rubber Bumper.....	1
9	11027G1		Lock Nut, 5/16" - 18	1
10	70582G01		Shoulder Bolt, .495 Dia x 3/8" - 16 Thread x 3.4" Lg	1
11	00643G1		Flat Washer, 3/8"	1
12	11098G5		Lock Nut, 3/8" - 16	1
13	73793G01		Tandem Master Cylinder	1
14	600479		Sealing Washer, M8	1
15	600401		Adapter	1
16	620274		Switch.....	1
17	800697		Lock Nut, 5/16" - 18	2
18	00439G1		Hex Head Bolt, 5/16" - 18 x 1.12" Lg, Grade 5	2
19	610149		Bellcrank	1
20				
21	611231		Push Rod	1
22	70410G03		Shaft Bellcrank.....	1
23	01111G01		Retaining Ring.....	2
24	14443G3		Clevis Pin, 5/10" x 15/16".....	1
25	11845G5		Clamp.....	3
26	00106G6		Self Drill Screw, #12 - 24 x .75" Lg.....	3
27	609624		Brake Line Fitting	1
28				
29	609798		Rear Brake Line	1
30	609806		Front Brake Line.....	1



2 Brake Line Assembly includes items 3 - 5

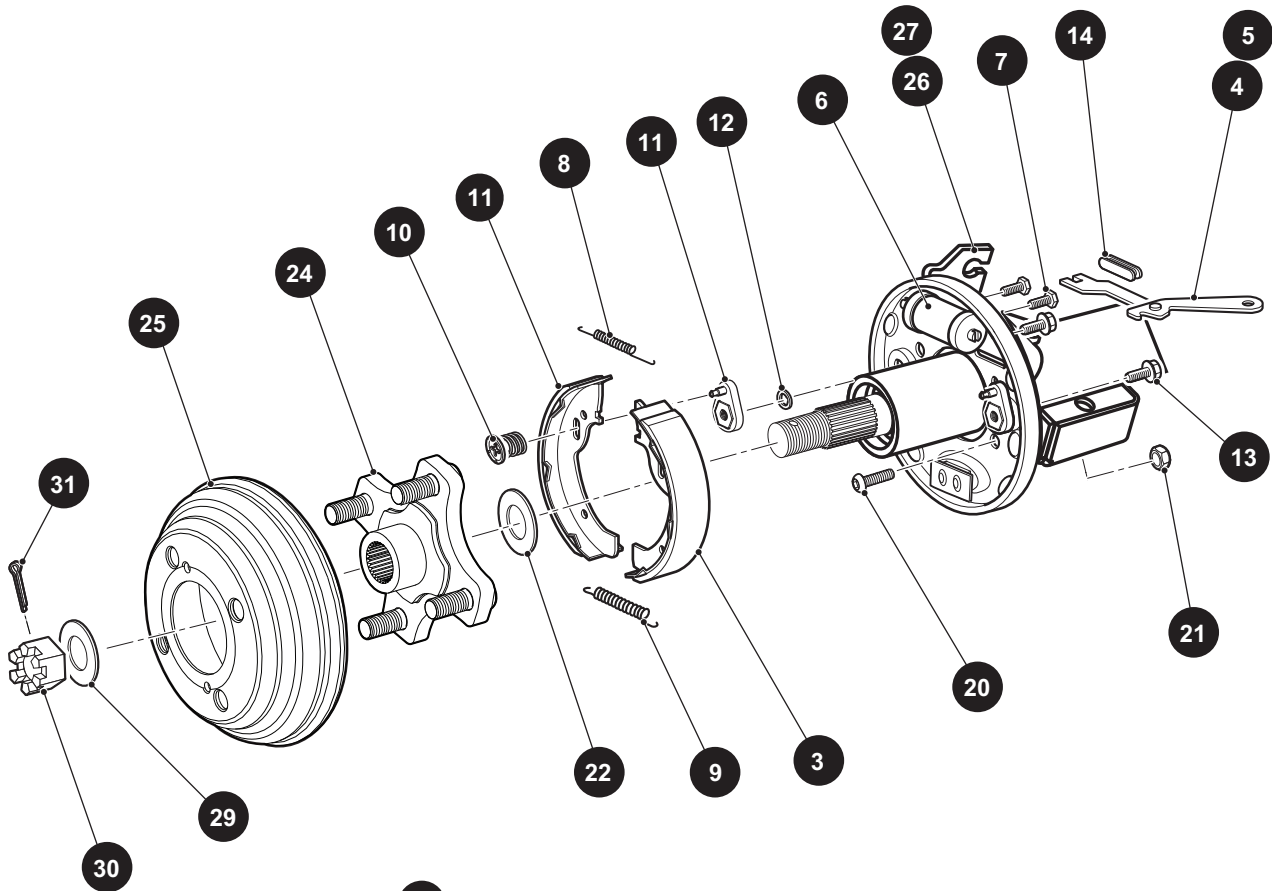
THE USE OF NON U.L. PARTS WILL VOID ANY U.L. LISTING.

When ordering parts, please specify the model and serial number of the product.

* Indicates a component that is not available as an individual part.

*** Indicates consult Customer Service Department for additional information.

ITEM	PART NO.	1 2 3 4 5	DESCRIPTION	QTY.
1	34989G01		Hose Assembly	1
2	620855		Brake Line Assembly (Includes Items 3 - 5).....	1
3	820008		Tee Fitting	1
4	620856		Short Brake Line	1
5	620857		Long Brake Line	1
6				
7				
8				
9				
10	75683G01		Banjo Bolt, 3/8" - 24 x .88" Lg	2
11	75684G01		Gasket (Copper).....	4
12	75813G01		Clamp, Brake Line.....	1
13	809137		Flexible Clip.....	1
14	17618G1		Nylon Clamp, 8" Lg (Not Illustrated).....	3
15				
16				
17	12416G2		Wedge Clamp (Nylon), 11.8" Lg.....	2



- 1 Brake Assembly (Driver Side) includes items 3, 4, 6 - 14
- 2 Brake Assembly (Passenger Side) includes items 3, 5 - 14
- 16 Adjuster Kit includes items 11 - 14
- 17 Hardware Kit includes items 7 - 10

THE USE OF NON U.L. PARTS WILL VOID ANY U.L. LISTING.

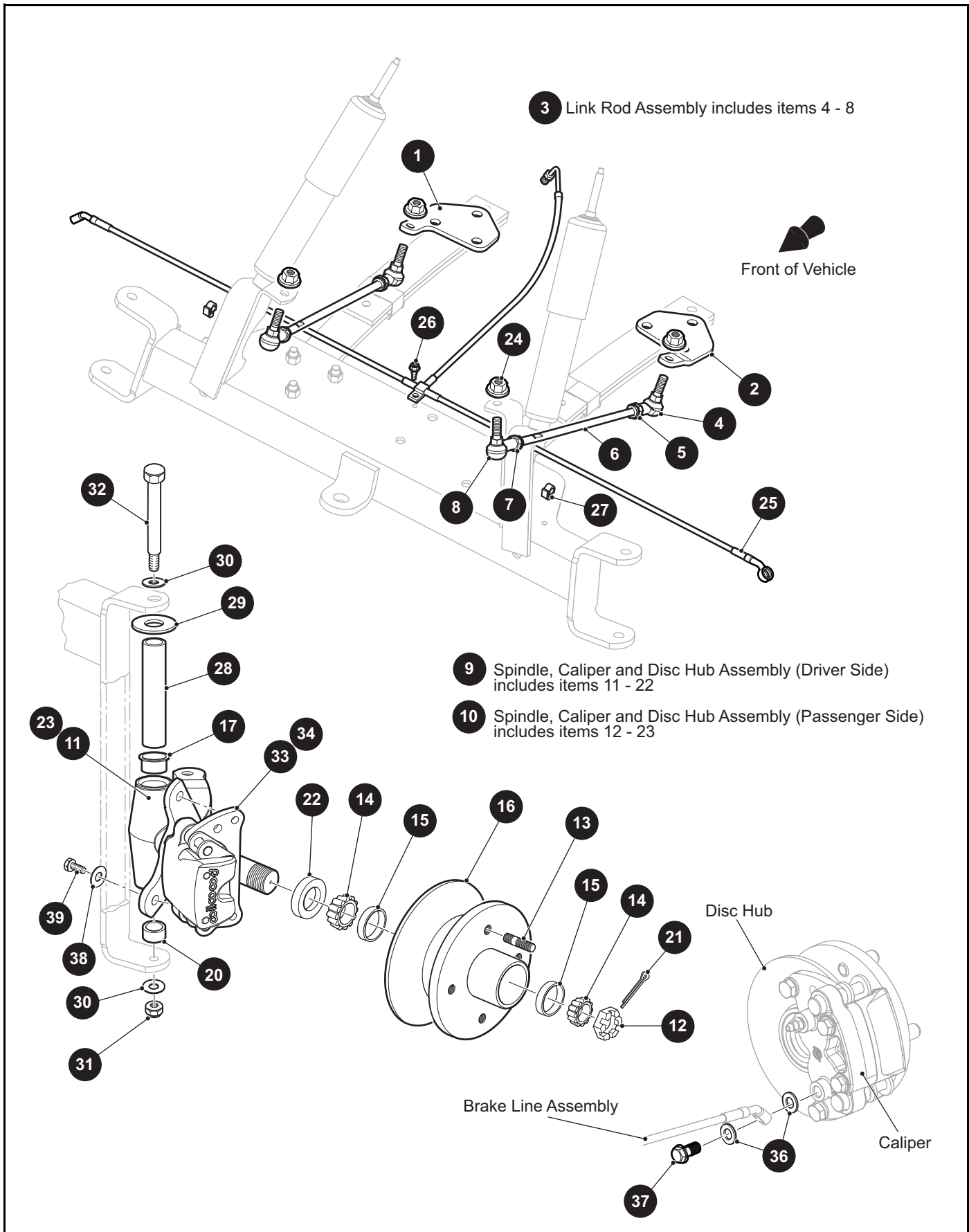
When ordering parts, please specify the model and serial number of the product.

* Indicates a component that is not available as an individual part.

*** Indicates consult Customer Service Department for additional information.

ITEM	PART NO.	1 2 3 4 5	DESCRIPTION	QTY.
1	75685G01		Brake Assembly (Driver Side) (Includes Items 3, 4, 6 - 14)	1
2	75685G02		Brake Assembly (Passenger Side) (Includes Items 3, 5 - 14).....	1
3	75830G01		Brake Shoe.....	2
4	75829G01		Park Brake Wheel Lever (Driver Side)	1
5	75829G02		Park Brake Wheel Lever (Passenger Side)	1
6	75828G01		Wheel Cylinder	1
7	*		Wheel Cylinder Bolt	2
8	*		Upper Return Spring.....	1
9	*		Lower Return Spring.....	1
10	*		Cup and Spring.....	2
11	*		Adjuster	2
12	*		Flat Washer	2
13	*		Hex Head Bolt, 1/4" - 28 x 1/2" Lg.....	2
14	*		Dust Cover.....	1
15				
16	75826G01		Adjuster Kit (Includes Items 11 - 14)	1
17	75827G01		Hardware Kit (Includes Items 7 - 10).....	1
18				
19				
20	631224		Socket Head Bolt, 5/16" - 24 x 1" Lg, Grade 8.....	8
21	15126G1		Lock Nut, 5/16" - 24	8
22	641649		Spacer, 1.312" O.D. x .98" I.D.....	2
23				
24	641641		Hub Assembly	2
25	643367		Heavy Duty Brake Drum	2
26	652248		Brake Cable Bracket (Passenger Side)	1
27	652249		Brake Cable Bracket (Driver Side).....	1
28				
29	606945		Outer Brake Drum Washer.....	2
30	606403		Slotted Nut, M22 x 1.5.....	2
31	10387G1		Cotter Pin, 1/8" x 1 1/2" Lg.....	2

BRAKES - FRONT DISC



BRAKES - FRONT DISC

THE USE OF NON U.L. PARTS WILL VOID ANY U.L. LISTING.

When ordering parts, please specify the model and serial number of the product.

* Indicates a component that is not available as an individual part.

*** Indicates consult Customer Service Department for additional information.

ITEM	PART NO.	1 2 3 4 5	DESCRIPTION	QTY.
1	74731G02		Spring Plate (Passenger Side).....	1
2	74731G01		Spring Plate (Driver Side)	1
3	74730G01		Link Rod Assembly (Includes Items 4 - 8).....	1
4	74734G02		Tie Rod End (Right Hand Threads)	1
5	01083G01		Jam Nut, M10 - 1 1/4" (Right Hand Threads)	1
6	618531		Link Rod	1
7	01083G02		Jam Nut, M10 - 1 1/4" (Left Hand Threads).....	1
8	74734G01		Tie Rod End (Left Hand Threads)	1
9	602281		Spindle, Caliper and Disc Hub Assembly (Driver Side) (Includes Items 11 - 22).....	1
10	602288		Spindle, Caliper and Disc Hub Assembly (Passenger Side) (Includes Items 12 - 23)	1
11	602176		Disc Brake Spindle (Driver Side)	1
12	12093G1		Slotted Nut, 1 - 14.....	1
13	74864G01		Drive Flange Stud, 1.5".....	4
14	11750G2		Roller Bearing.....	2
15	51141G1		Bearing Race.....	2
16	630672		Disc Brake Hub.....	1
17	632925		Flanged Bearing	1
18				
19				
20	632926		Bearing	1
21	00798G8		Cotter Pin, 5/32" x 1 3/4"	1
22	25146G1		Grease Seal.....	1
23	602158		Disc Brake Spindle (Passenger Side).....	1
24	606279		Hex Nut, M10 - 1.25.....	4
25	630766		Brake Line Assembly (SS)	1
26	01038G01		Swageform Screw, 1/4" - 20 x 1/2" Lg.....	1
27	74875G01		Wire Retainer	2
28	70745G01		Kingpin Tube	2
29	70754G01		Thrust Washer (SS), .995" I.D x 1.38" O.D	2
30	00560G3		Flat Washer, 1/2"	4

BRAKES - FRONT DISC

THE USE OF NON U.L. PARTS WILL VOID ANY U.L. LISTING.

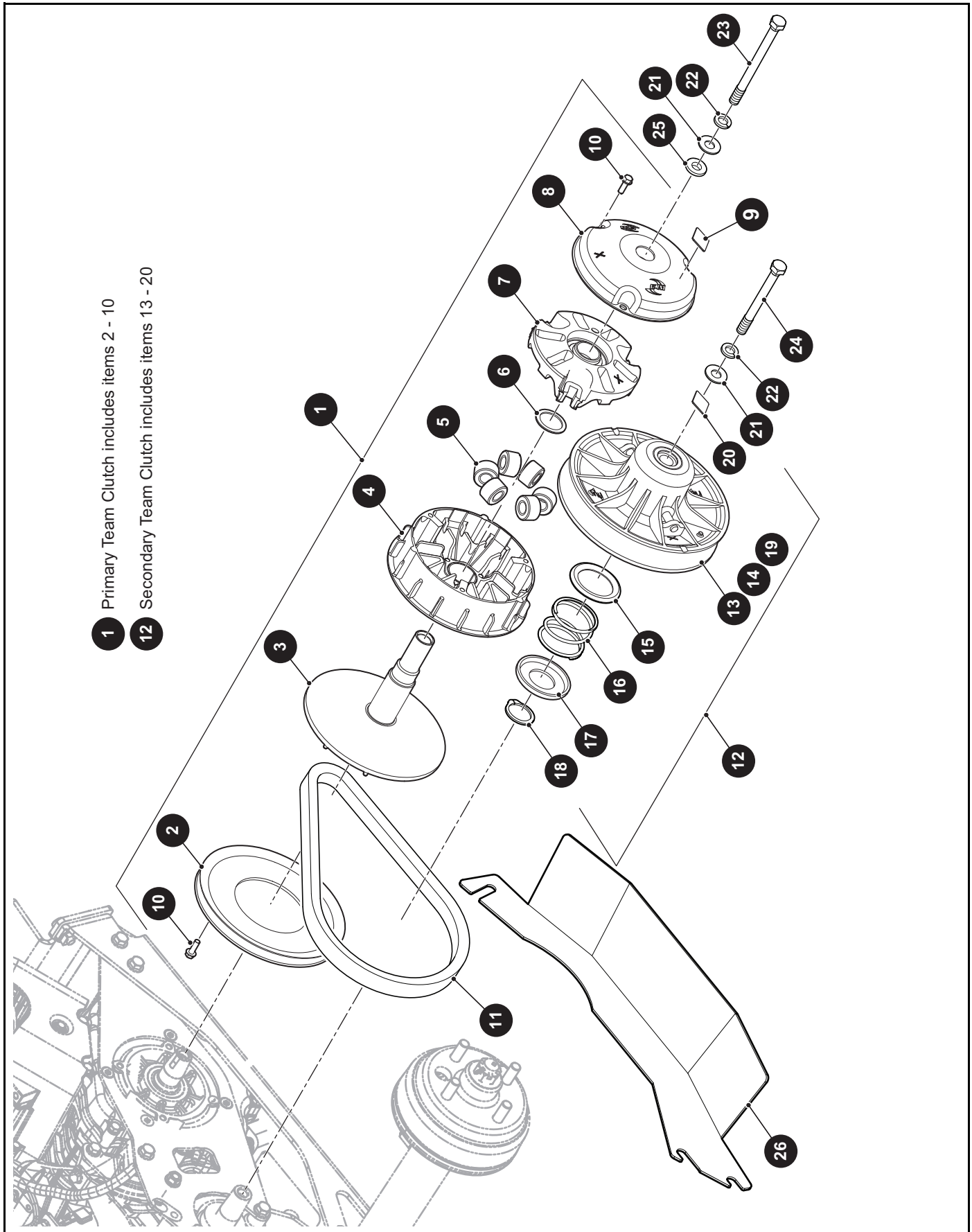
When ordering parts, please specify the model and serial number of the product.

* Indicates a component that is not available as an individual part.

*** Indicates consult Customer Service Department for additional information.

ITEM	PART NO.	1 2 3 4 5	DESCRIPTION	QTY.
31	14390G6		Lock Nut, 1/2" - 13	2
32	00407G6		Hex Head Bolt, 1/2" - 13 x 6" Lg, Grade 5	2
33	633918G02		Caliper (Passenger Side)	1
34	633918G01		Caliper (Driver Side)	1
35				
36	613293		Crush Washer, M10	4
37	616459		Banjo Bolt, M10 - 1 x 20mm Lg	2
38	00566G1		Lock Washer, 3/8"	4
39	00426G6		Hex Head Bolt, 3/8" - 16 x 1" Lg, Grade 5	4

CLUTCH



THE USE OF NON U.L. PARTS WILL VOID ANY U.L. LISTING.

When ordering parts, please specify the model and serial number of the product.

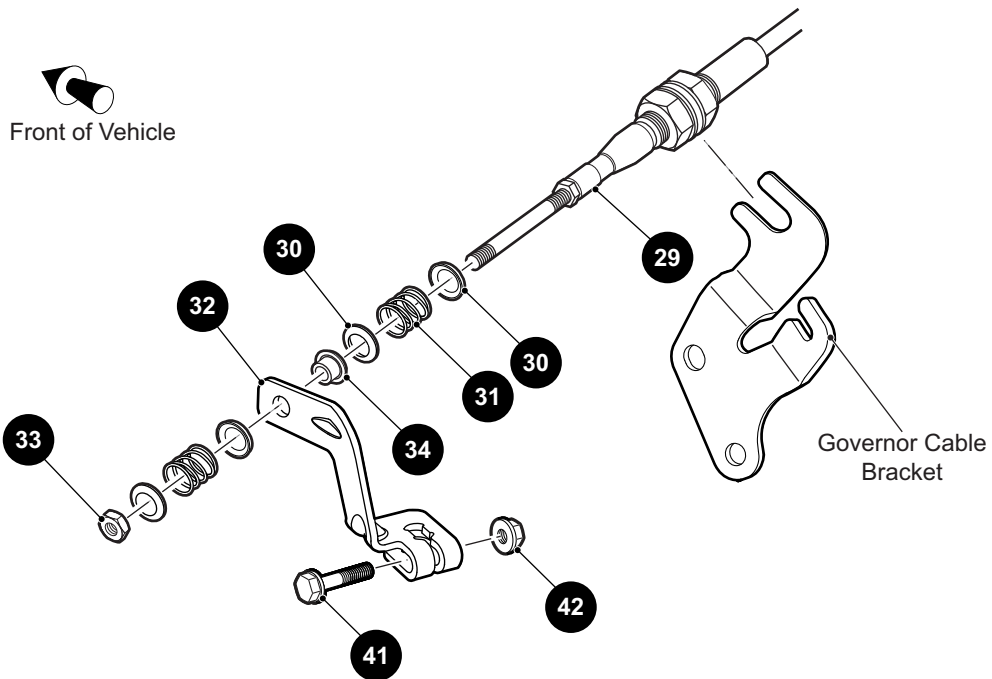
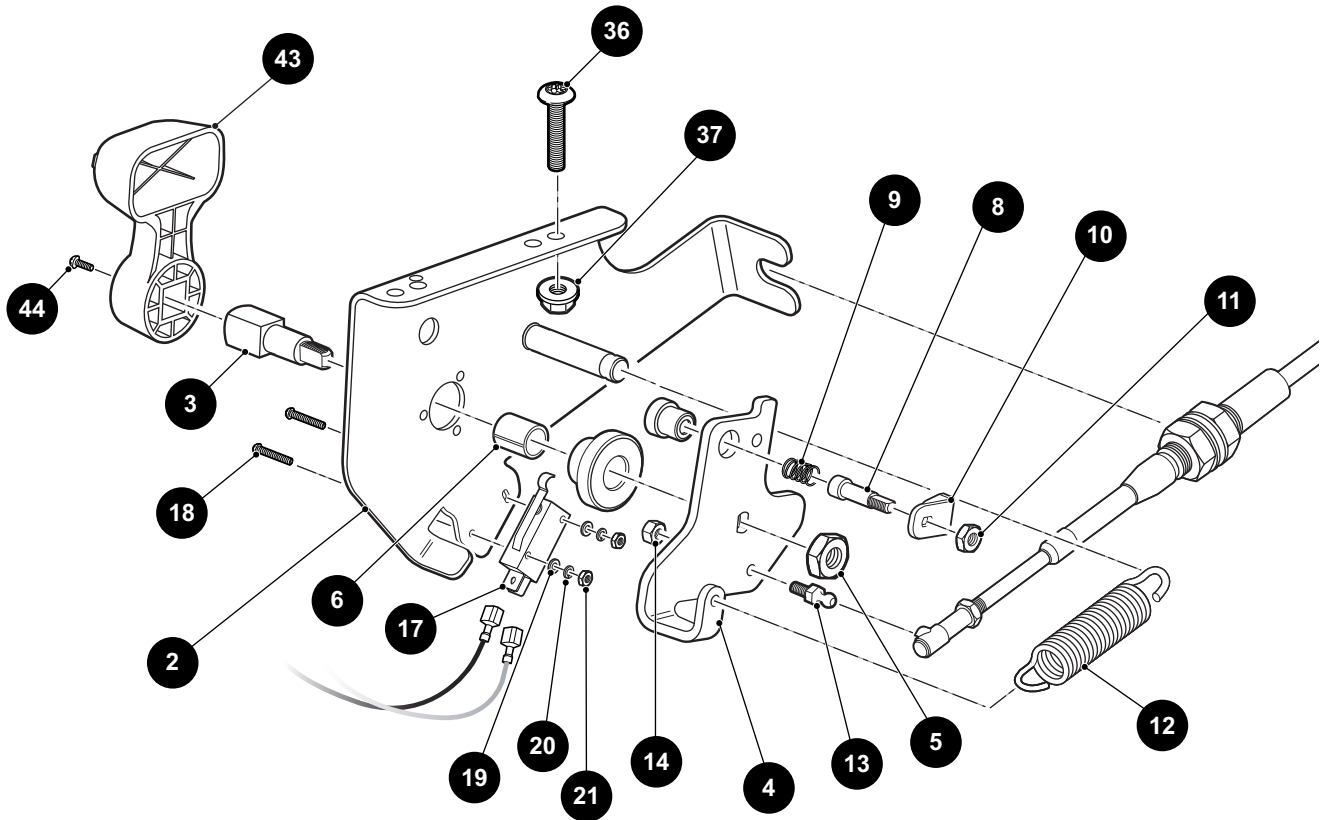
* Indicates a component that is not available as an individual part.

*** Indicates consult Customer Service Department for additional information.

ITEM	PART NO.	1 2 3 4 5	DESCRIPTION	QTY.
1	672688		Primary Team Clutch (Includes Items 2 - 10)	1
2	619333		Primary Starter Pulley.....	1
3	619334		Stationary Assembly	1
4	619335		Moveable Primary Assembly	1
5	624112		Shift Roller Assembly.....	6
6	619337		Shim, 39.5 x 31.75.....	1
7	619338		Primary Spider Assembly	1
8	619339		Primary Dust Cover Assembly.....	1
9	*		E-Z-GO Primary Label.....	1
10	619332		Hex Head Bolt, 1/4" - 20 x 3/4" Lg.....	7
11	618630		Drive Belt.....	1
12	623949		Secondary Team Clutch (Includes Items 13 - 20)	1
13	*		Secondary Stationary, 9.5	1
14	*		Moveable Secondary, 9.5	1
15	619327		Inner Retainer Spring	1
16	624111		Compression Spring	1
17	619329		Outer Spring Retainer.....	1
18	619330		Retainer Ring.....	1
19	619331		Thrust Washer, 1.530 x 1.830 x 1	1
20	*		Secondary Part E-Z-GO Logo	1
21	606239		Conical Washer, M12	2
22	00566G3		Lock Washer (Spring Type), 3/8"	2
23	606245		Hex Head Bolt, M12 - 1.25 x 160mm Lg, Grade 8.8	1
24	606243		Hex Head Bolt, M12 - 1.25 x 120mm Lg, Grade 8.8	1
25	606230		Clutch Washer, 27.5 O.D. x 13.06 I.D.	1
26	605950		Clutch Belt Shield.....	1

DIRECTION SELECTOR

1 Direction Selector Assembly includes items 2 - 34



DIRECTION SELECTOR

THE USE OF NON U.L. PARTS WILL VOID ANY U.L. LISTING.

When ordering parts, please specify the model and serial number of the product.

* Indicates a component that is not available as an individual part.

*** Indicates consult Customer Service Department for additional information.

ITEM	PART NO.	1 2 3 4 5	DESCRIPTION	QTY.
1	606170		Direction Selector Assembly (Includes Items 2 - 34).....	1
2	606077		Direction Selector Bracket	1
3	70233G01		Direction Selector Shaft.....	1
4	603700		Direction Selector Cam.....	1
5	14390G1		Lock Nut, 3/8" - 24	1
6	25664G2		Bushing, 1/2" x .750" Lg	1
7				
8	72724G01		Neutral Lock Pin	1
9	72733G01		Compression Spring	1
10	72729G01		Neutral Lock Latch.....	1
11	00734G2		Lock Nut, 1/4" - 28	1
12	28574G01		Extension Spring	1
13	72732G01		Ball Stud, #10 - 32	1
14	00734G5		Lock Nut, #10 - 32	1
15				
16				
17	72736G01		Micro Switch	1
18	01062G01		Round Head Screw, #4 - 40 x 1" Lg	2
19	00559G1		Flat Washer, #4.....	2
20	00565G1		Lock Washer, #4	2
21	00526G2		Hex Nut, #4 - 40	2
22				
23				
24				
25				
26				
27				
28				
29	605809		Shifter Cable.....	1
30	25727G01		Cup Washer, 1/4".....	4
31	72735G01		Compression Spring.....	2

DIRECTION SELECTOR

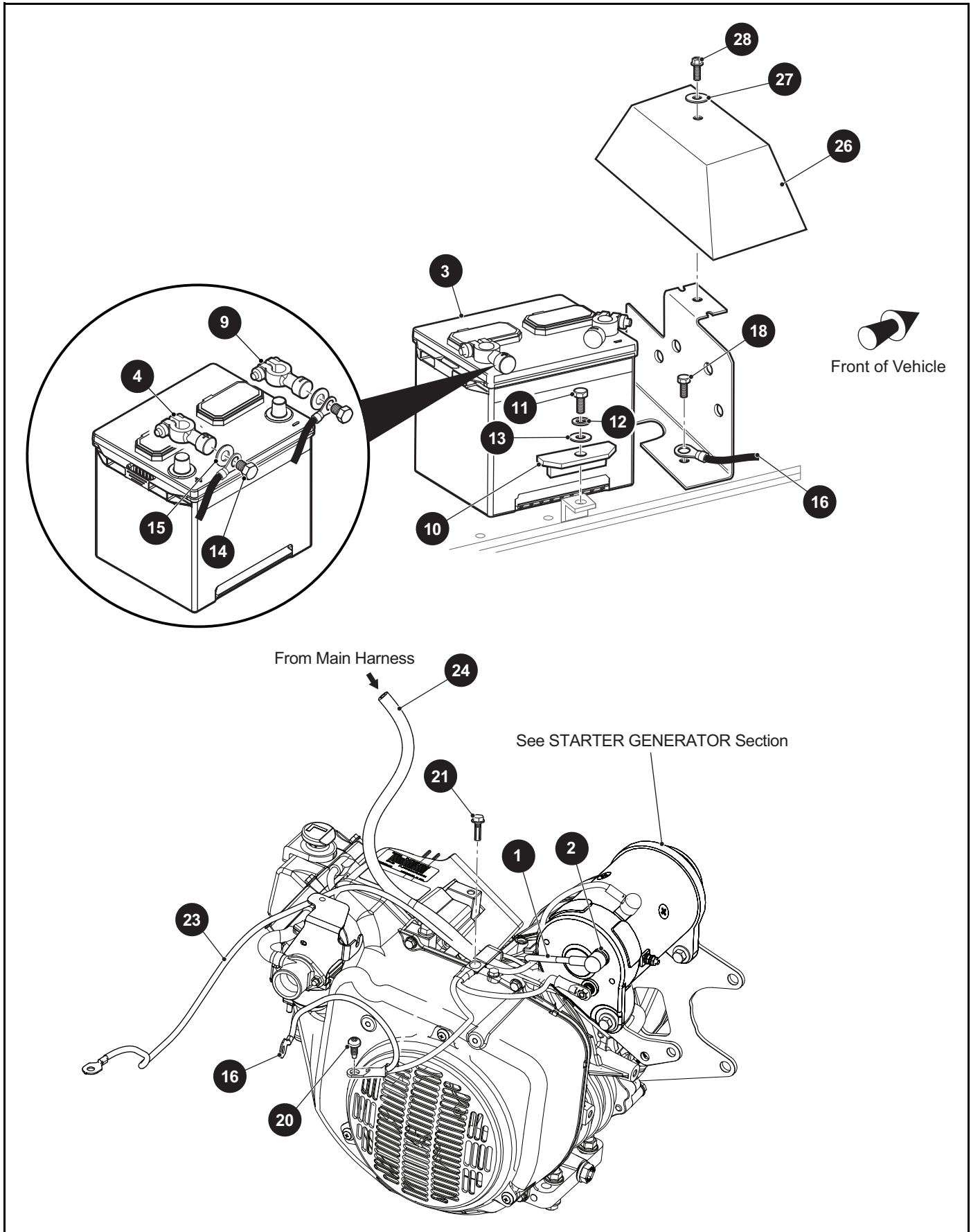
THE USE OF NON U.L. PARTS WILL VOID ANY U.L. LISTING.

When ordering parts, please specify the model and serial number of the product.

* Indicates a component that is not available as an individual part.

*** Indicates consult Customer Service Department for additional information.

ITEM	PART NO.	1	2	3	4	5	DESCRIPTION	QTY.
32	632891						Pivot Bracket.....	1
33	00734G5						Lock Nut, #10 - 32.....	1
34	22754G4						Bushing, .250".....	1
35								
36	70227G01						Socket Head Bolt, 1/4" - 20 x 7/8" Lg, Grade 8.....	2
37	11027G2						Flanged Lock Nut, 1/4" - 20.....	2
38								
39								
40								
41	606421						Flanged Hex Head Bolt, M6 - 1 x 30mm Lg, Grade 8.8.....	1
42	450452						Hex Nut, M6 - 1.....	1
43	71205G01						Direction Selector Handle.....	1
44	01037G02						Pan Head Torx Screw, #10 - 32 x 1/2" Lg.....	1



THE USE OF NON U.L. PARTS WILL VOID ANY U.L. LISTING.

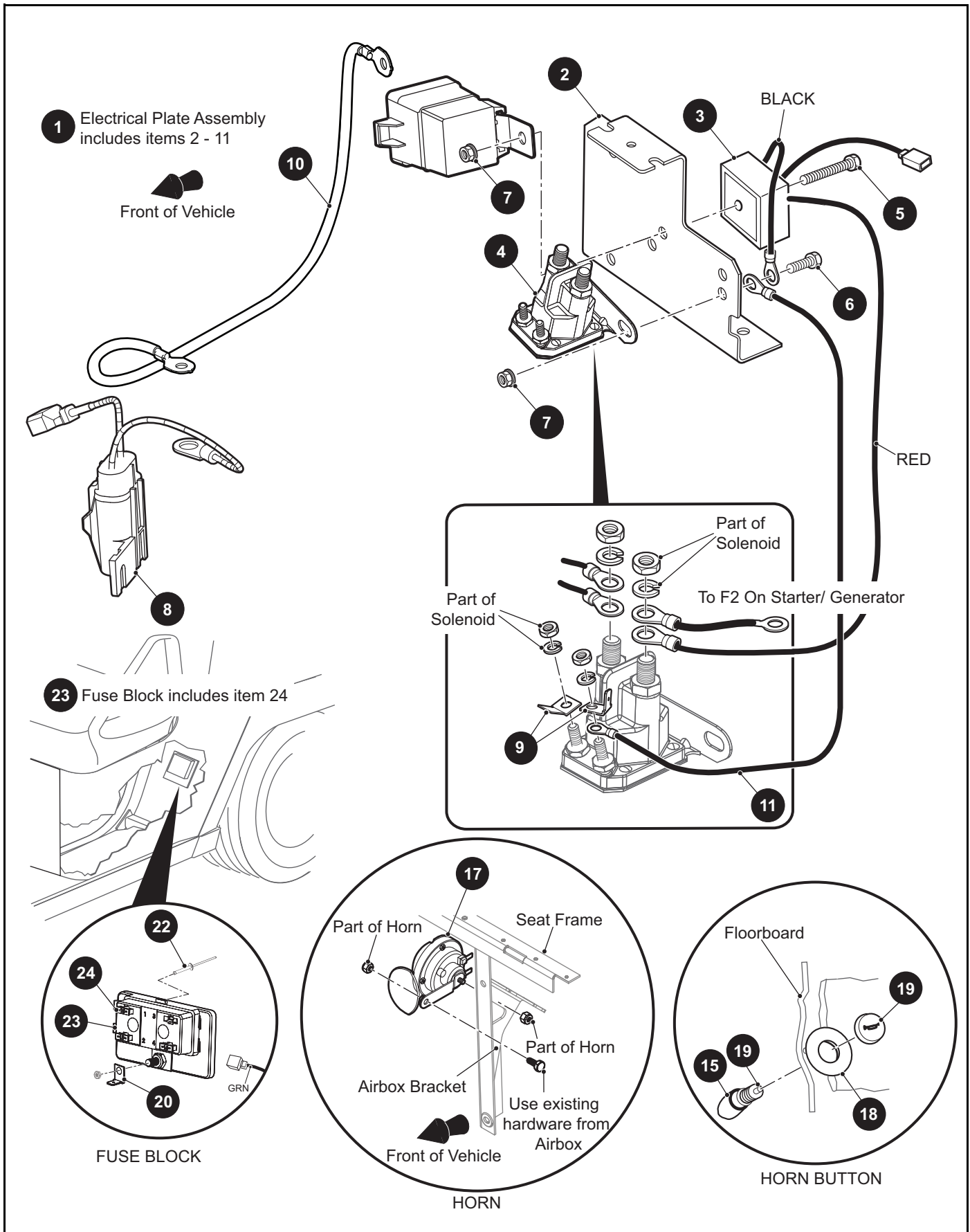
When ordering parts, please specify the model and serial number of the product.

* Indicates a component that is not available as an individual part.

*** Indicates consult Customer Service Department for additional information.

ITEM	PART NO.	1 2 3 4 5	DESCRIPTION	QTY.
1	607053		#6 GA Wire (Black), 6" Lg	1
2	25682G01		Terminal Cover	2
3	639553		Battery, 12V	1
4	640359		Battery Terminal Adaptor, Positive	1
5				
6	636455G12		Fuse 10A (Not Illustrated)	1
7	636455G13		Fuse 15A (Not Illustrated)	1
8	663593		Relay (Not Illustrated)	1
9	640360		Battery Terminal Adaptor, Negative	1
10	72101G02		Battery Hold Down	1
11	00438G6		Hex Head Bolt, 5/16" - 18 x 3/4" Lg, Grade 5	1
12	00565G8		Lock Washer, 5/16"	1
13	00571G2		Flat Washer (SS), 5/16"	1
14	651336		Battery Bolt	1
15	614221		Flat Washer, 3/8"	1
16	645191		Battery/ Engine Ground Cable	1
17				
18	00438G6		Hex Head Bolt, 5/16" - 18 x 3/4" Lg. Grade 5	2
19				
20	26676G01		Flanged Bolt, M6 - 1.0 x 23mm Lg	1
21				
22				
23	607103		#6 GA Wire, 42" Lg	1
24	659015		Main Harness	1
25	17618G1		Nylon Clamp, 8" Lg (Not Illustrated)	1
26	73049G01		Direction Selector Cover	1
27	16469G1		Fender Washer, 1/4"	1
28	00114G6		Hex Washer Head Slotted Tapping Screw, 1/4" - 14 x 3/4" Lg	1

ELECTRICAL



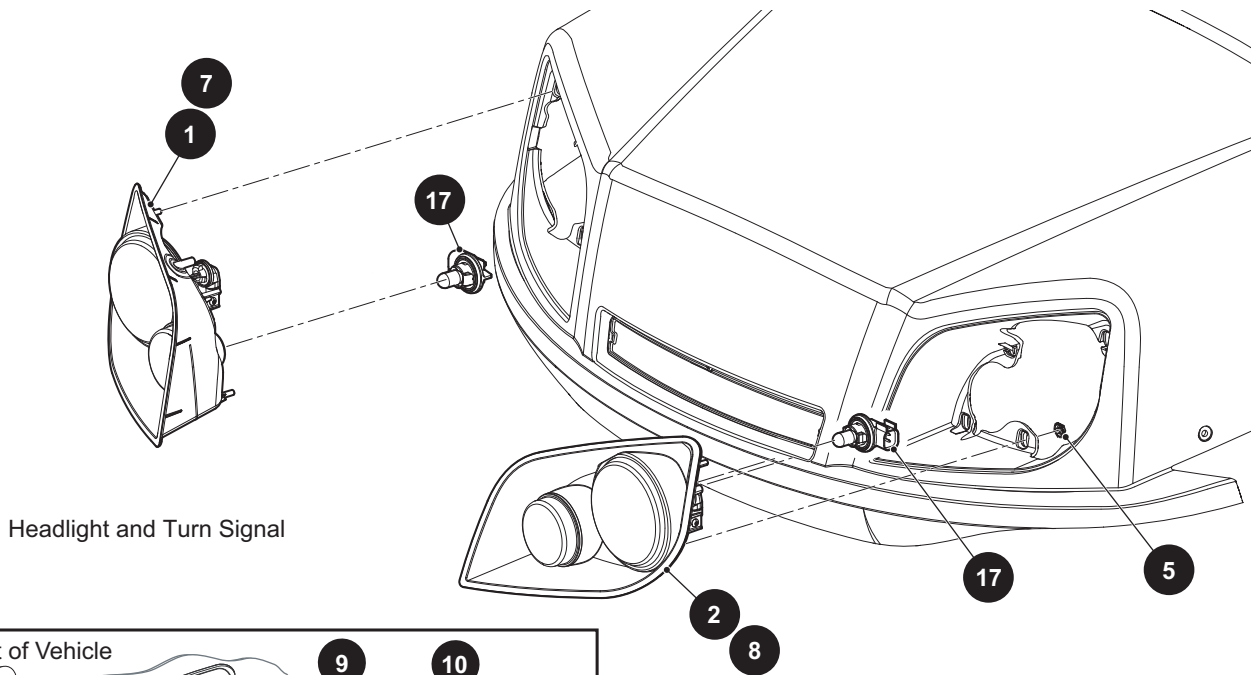
THE USE OF NON U.L. PARTS WILL VOID ANY U.L. LISTING.

When ordering parts, please specify the model and serial number of the product.

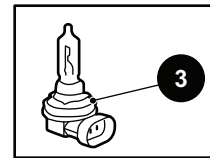
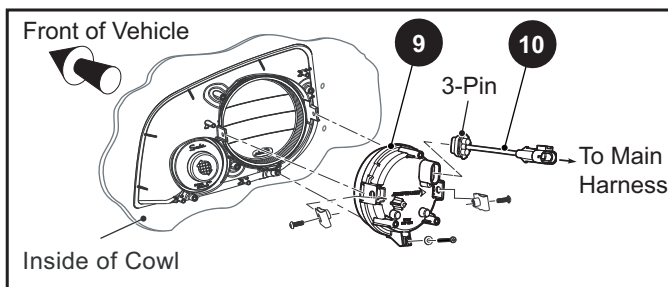
* Indicates a component that is not available as an individual part.

*** Indicates consult Customer Service Department for additional information.

ITEM	PART NO.	1 2 3 4 5	DESCRIPTION	QTY.
1	660446		Electrical Plate Assembly (Includes Items 2 - 11)	1
2	73057G02		Bracket	1
3	27739G01		Voltage Regulator	1
4	663716		Solenoid.....	1
5	303459		Hex Head Bolt, 1/4" - 20 x 1 1/2" Lg, Grade 5.....	1
6	00661G8		Hex Head Bolt (SS), 1/4" - 20 x 1" Lg.....	1
7	11027G2		Flanged Lock Nut, 1/4" - 20.....	2
8	658683		Electrical Plate Harness	1
9	73446G01		Faston Tab, 90°.....	2
10	645190		#6 GA Wire Assembly.....	1
11	25978G56		#18 GA Wire Assembly (Black).....	1
12				
13				
14				
15	27068G01		Horn Switch Boot	1
16				
17	32860G01		Horn	1
18	608397		Horn Plate	1
19	17318G1		Horn Switch.....	1
20	73446G01		Faston Tab	1
21				
22	15058G6		Rivet, (Aluminum), 3/16" x .937" Lg	2
23	676066G01		Fuse Block (Includes Item 24).....	1
24	636455G23		Fuse, 15A.....	3

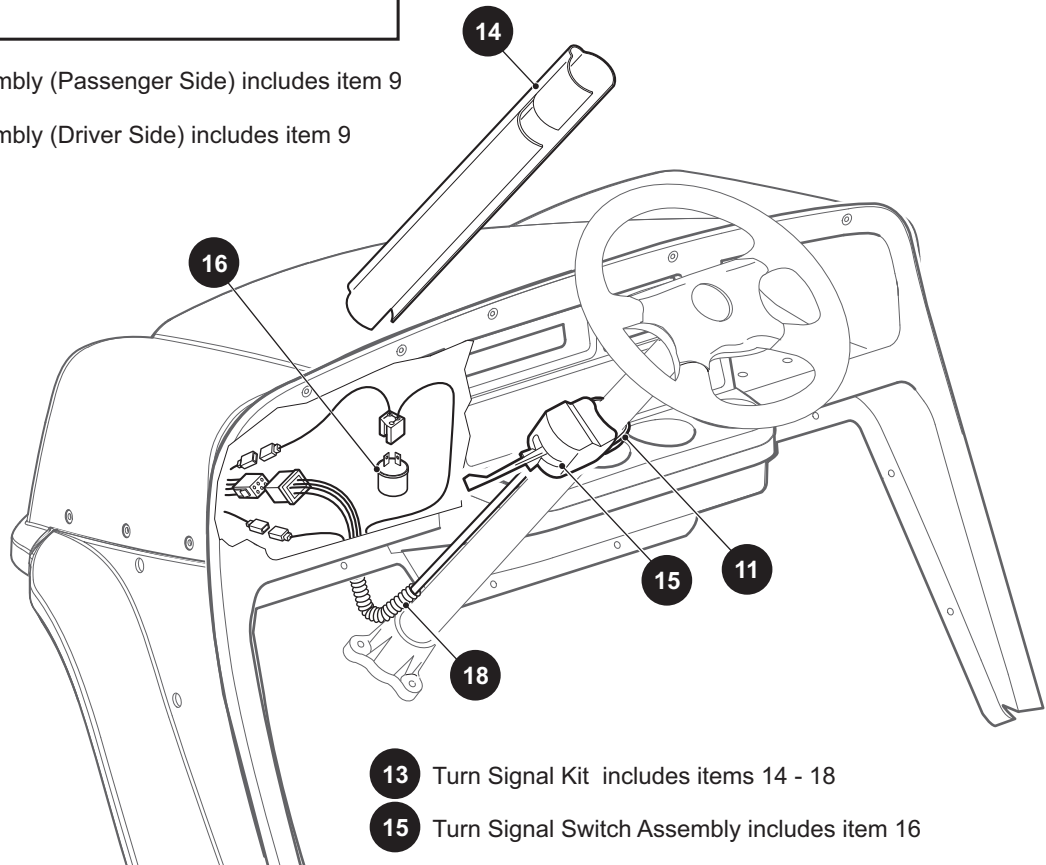


Headlight and Turn Signal



7 Led Headlight Assembly (Passenger Side) includes item 9

8 Led Headlight Assembly (Driver Side) includes item 9



13 Turn Signal Kit includes items 14 - 18

15 Turn Signal Switch Assembly includes item 16

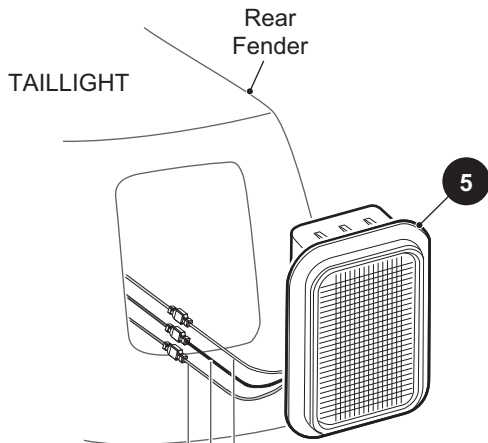
THE USE OF NON U.L. PARTS WILL VOID ANY U.L. LISTING.

When ordering parts, please specify the model and serial number of the product.

* Indicates a component that is not available as an individual part.

*** Indicates consult Customer Service Department for additional information.

ITEM	PART NO.	1 2 3 4 5	DESCRIPTION	QTY.
1	644876		Headlight Assembly (Passenger Side).....	1
2	644877		Headlight Assembly (Driver Side)	1
3	619100		Headlight Bulb.....	1
4				
5	71597G01		Self Threading Nut, 5 x 10 x 15mm.....	8
6				
7	659008		LED Headlight Assembly (Passenger Side) (Includes Item 9)	1
8	659009		LED Headlight Assembly (Driver Side) (Includes Item 9).....	1
9	651411G03		LED Headlight.....	1
10	654465		Jumper Harness, LED Headlight.....	2
11	17618G1		Nylon Clamp, 8" Lg	2
12				
13	622712		Turn Signal Kit (Includes Items 14 - 18).....	1
14	20965G3		Steering Column Cover	1
15	611810		Turn Signal Switch Assembly (Includes Item 16).....	1
16	21640G1		Turn Signal Flasher	1
17	619102		Turn Signal Assembly Bulb.....	2
18	32307G3		Flex Zip Loom.....	1



WHT to BLU/WHT from Harness - Both Sides

BLK to BLK from Harness - Both Sides

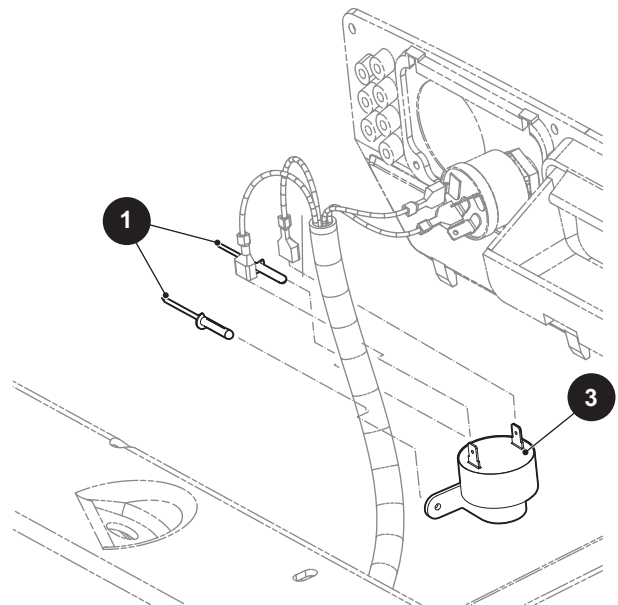
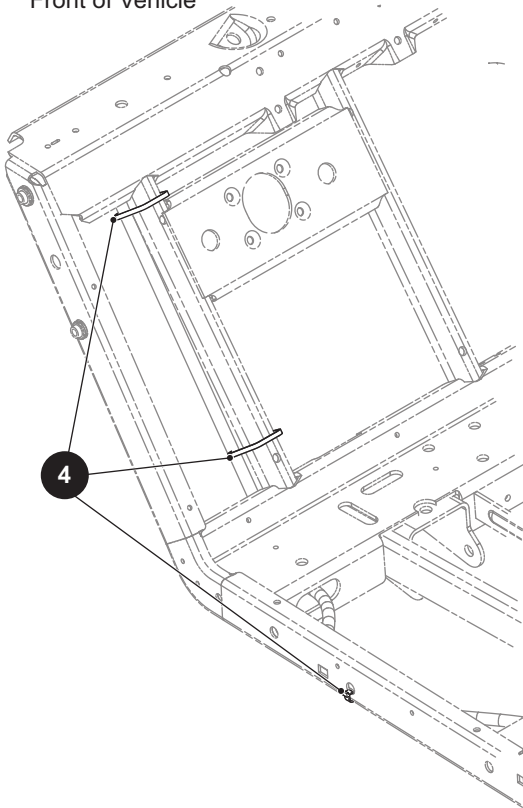
RED to BRN from Harness - Both Sides (without Turn Signals)

RED to WHT from Harness - Driver Side (with Turn Signals)

RED to YEL from Harness - Passenger Side (with Turn Signals)



Front of Vehicle



THE USE OF NON U.L. PARTS WILL VOID ANY U.L. LISTING.

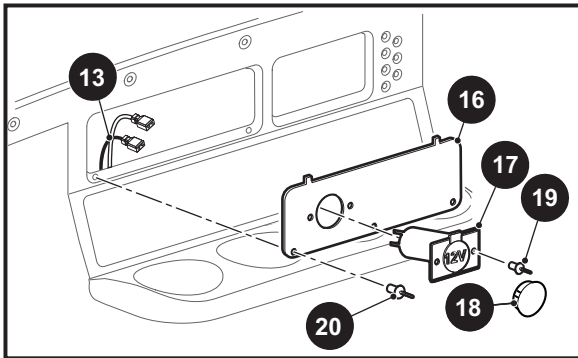
When ordering parts, please specify the model and serial number of the product.

* Indicates a component that is not available as an individual part.

*** Indicates consult Customer Service Department for additional information.

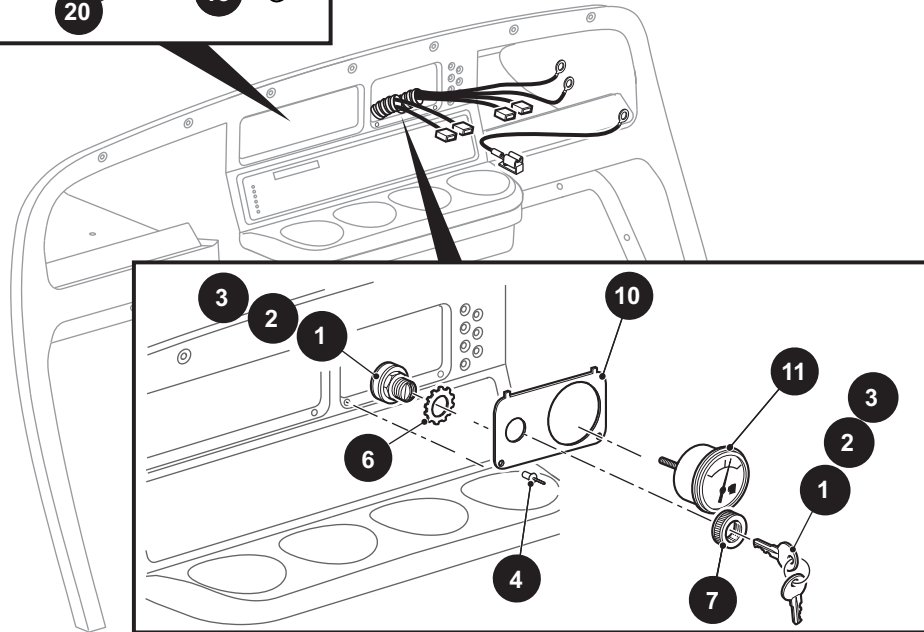
ITEM	PART NO.	1 2 3 4 5	DESCRIPTION	QTY.
1	01041G01		Bulbex Rivet, 5/32"	2
2				
3	73290G03		Buzzer	1
4	31539G1		Nylon Clamp, 15.5" Lg	3
5	32739G2		Taillight Assembly (Complete)	2

CONSOLE INSERT PLATE

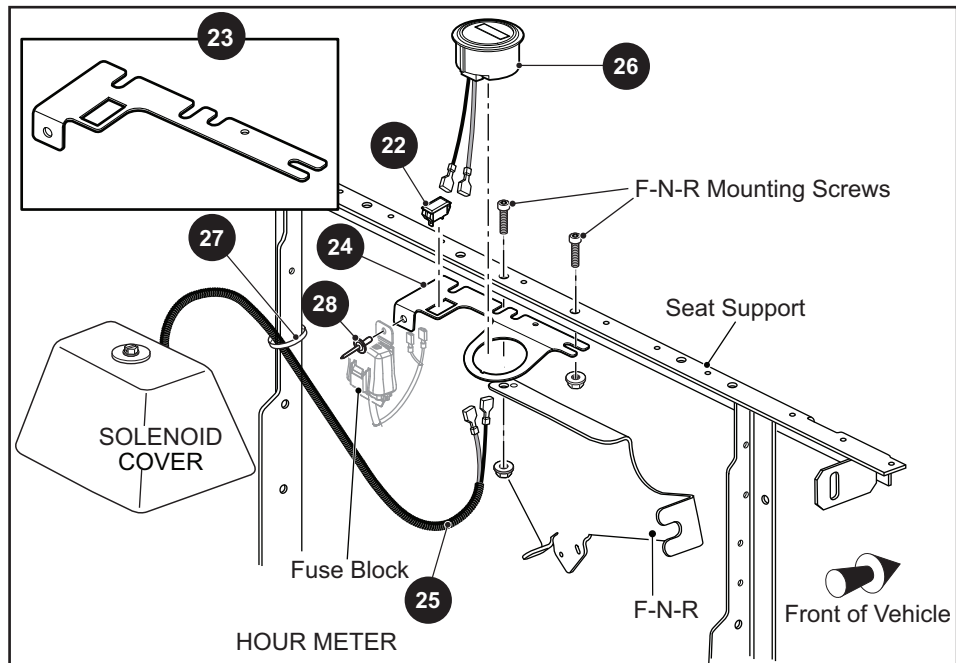


- 9 Gauge Plate (Fuel Gauge with Lights) includes items 10, 11
- 14 Console Insert Assembly includes items 16, 18
- 15 Console Insert Assembly includes items 16 - 19


 Front of Vehicle



KEY SWITCH, INDICATOR LIGHT(S), AND FUEL GAUGE



THE USE OF NON U.L. PARTS WILL VOID ANY U.L. LISTING.

When ordering parts, please specify the model and serial number of the product.

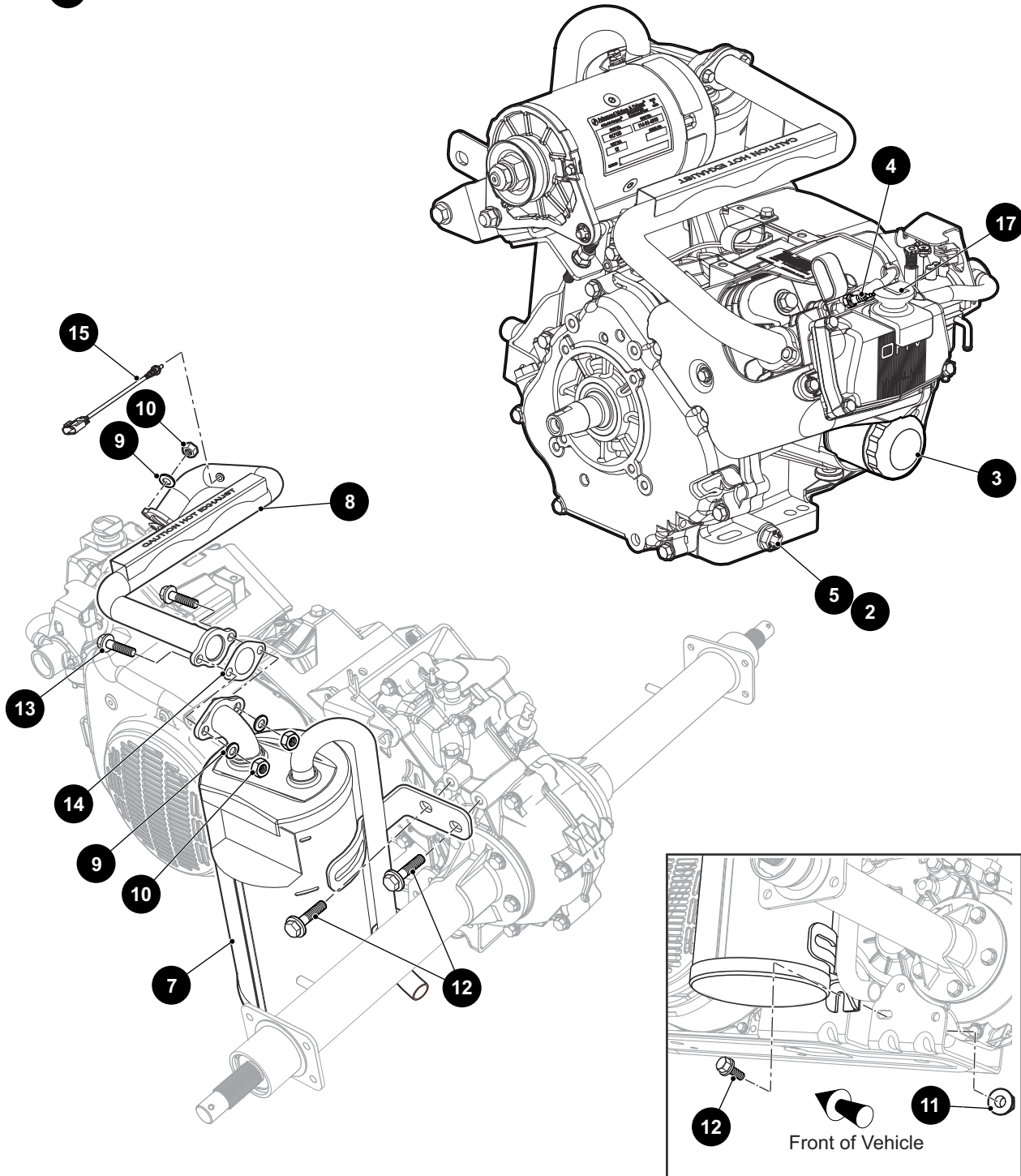
* Indicates a component that is not available as an individual part.

*** Indicates consult Customer Service Department for additional information.

ITEM	PART NO.	1 2 3 4 5	DESCRIPTION	QTY.
1	33639G01		Ignition Switch (with Light)	1
2	33639G02		Ignition Switch (with Light, Group Key)	1
3	33639G03		Ignition Switch (with Light, Individual)	1
4	33623G02		Drive Rivet, 3/16" x 3/8" Lg	2
5				
6	00568G6		Lock Washer (External Tooth Type), 3/4"	1
7	17137G1		Face Nut, 3/4" - 20	1
8				
9	656282G06		Gauge Plate (Fuel Gauge with Lights) (Includes Items 10, 11).....	1
10	73030G14		Console Insert Plate	1
11	648247		Fuel Level Gauge	1
12				
13	645194		Wire Harness (Power Outlet)	1
14	74693G03		Console Insert Assembly (Includes Items 16, 18).....	1
15	74693G04		Console Insert Assembly (Includes Items 16 - 19).....	1
16	73522G03		Console Insert Plate	1
17	71078G01		Power Outlet (12V)	1
18	20271G10		Plug	1
19	14601G10		Rivet (Aluminum), 5/32"	2
20	33623G02		Drive Rivet, 3/16" x 3/8" Lg	3
21	666152		Accessory Wire Harness.....	1
22	659101		Malfunction Indicator Light	1
23	659085		Fuse Bracket (For Vehicles without Hour Meter)	1
24	662631		Fuse Bracket (For Vehicles with Hour Meter)	1
25	664689		Hour Meter Harness.....	1
26	617074		Hour Meter	1
27	17618G1		Nylon Clamp, 8" Lg	2
28	71055G01		Rivet, 3/16" Dia.	1

ENGINE AND MUFFLER

1 EFI Engine, 13.5 HP includes items 2 - 5



ENGINE AND MUFFLER

THE USE OF NON U.L. PARTS WILL VOID ANY U.L. LISTING.

When ordering parts, please specify the model and serial number of the product.

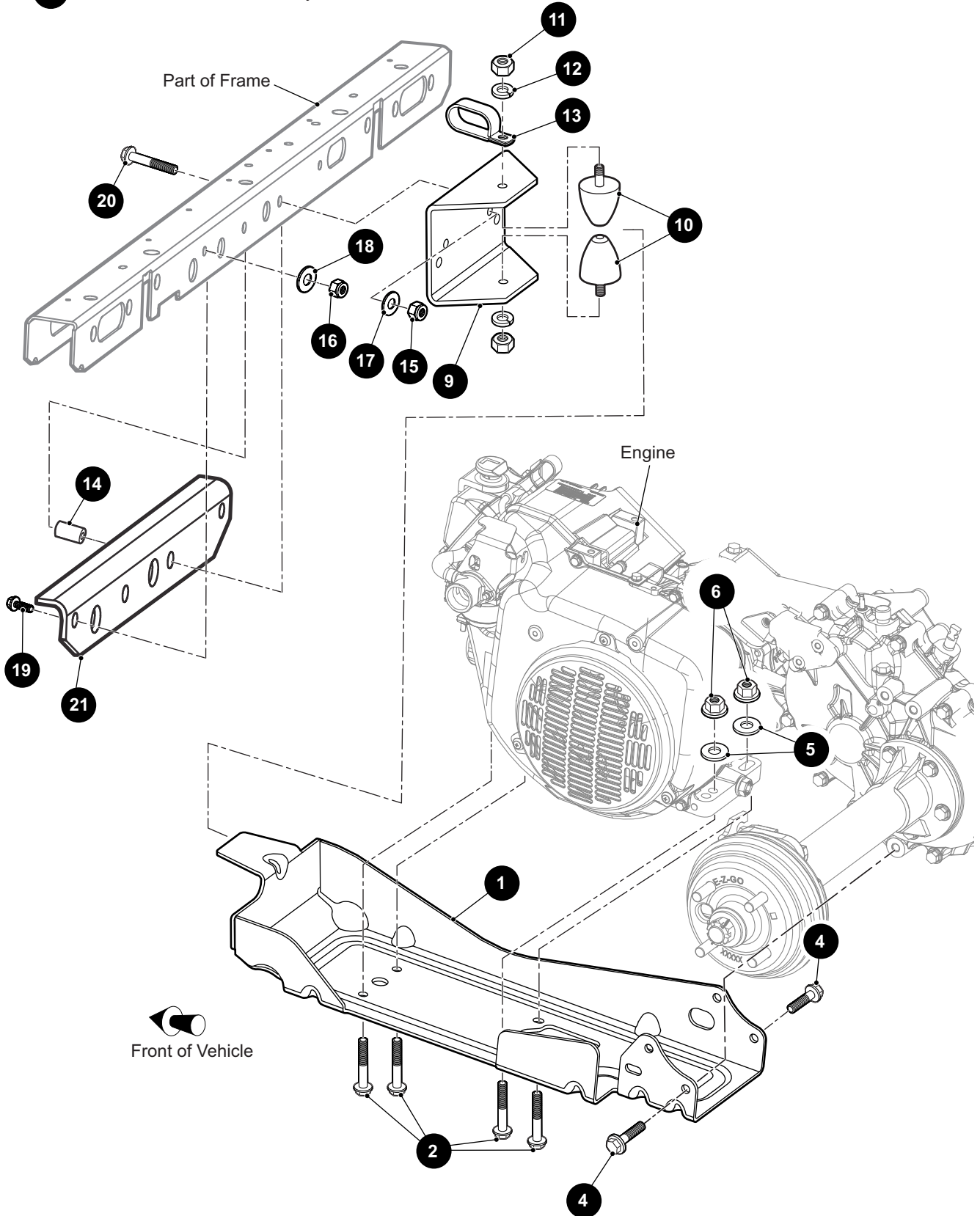
* Indicates a component that is not available as an individual part.

*** Indicates consult Customer Service Department for additional information.

ITEM	PART NO.	1 2 3 4 5	DESCRIPTION	QTY.
1	658237		EFI Engine, 13.5 HP (Includes Items 2 - 5).....	1
2	603562		O-Ring, 16mm	1
3	607454		Oil Filter	1
4	607462		Spark Plug	1
5	603557		Oil Drain Plug	1
6				
7	674854		Muffler	1
8	657450		Exhaust Manifold.....	1
9	606272		Lock Washer, 8mm	4
10	606267		Hex Jam Nut, M8 - 1.25	4
11	606279		Flanged Hex Nut, M10 - 1.25	1
12	606256		Flanged Hex Head Bolt, M10 - 1.25 x 25mm Lg, Grade 8.8.....	3
13	602330		Flanged Hex Head Bolt, M8 - 1.25 x 30mm Lg, Grade 8.8.....	2
14	603599		Exhaust Gasket.....	2
15	657449		Oxygen Sensor	1
16				
17	606390		Oil Dip Stick.....	1

ENGINE MOUNTING

8 Front Mount Bracket Assembly includes items 9 - 13



ENGINE MOUNTING

THE USE OF NON U.L. PARTS WILL VOID ANY U.L. LISTING.

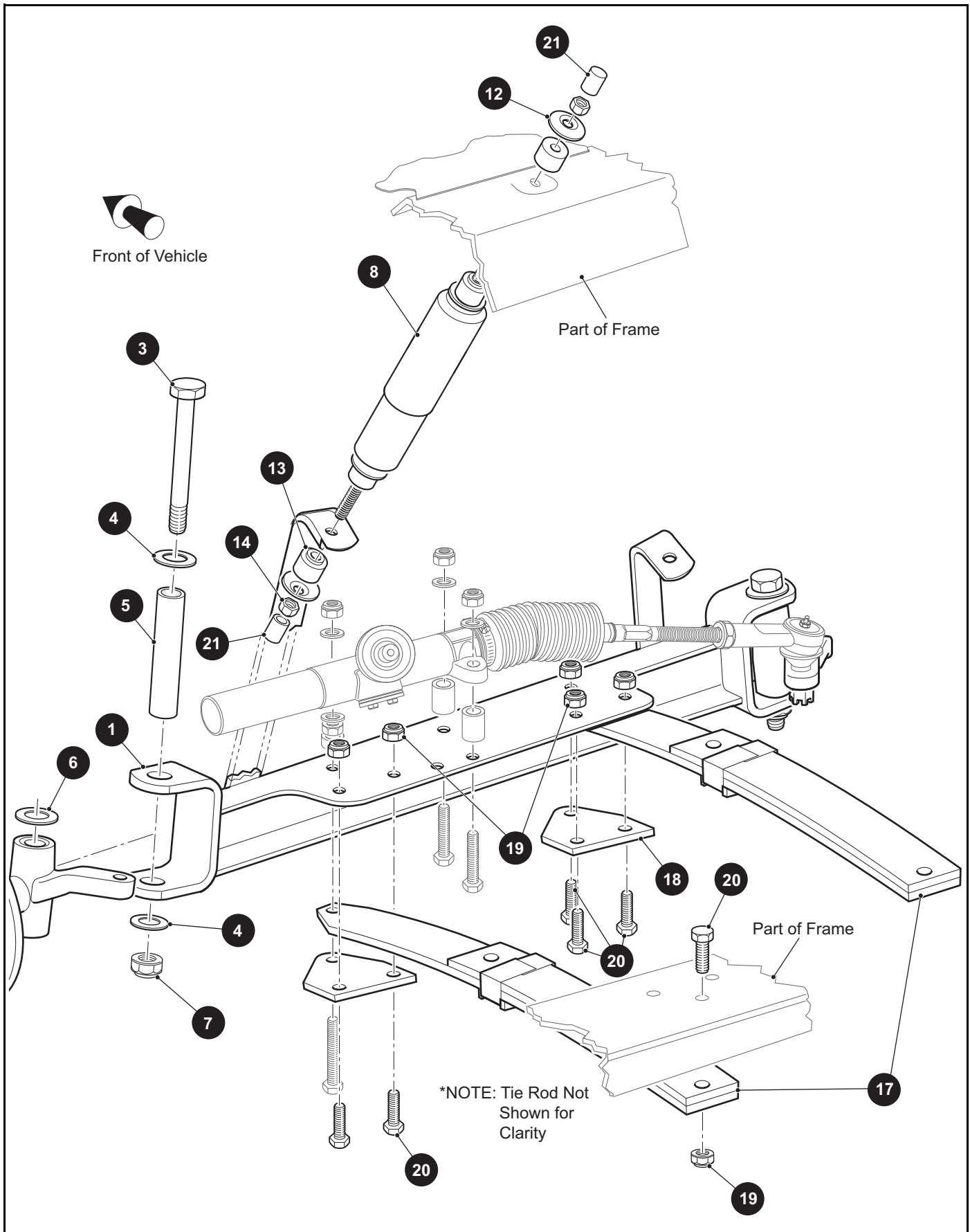
When ordering parts, please specify the model and serial number of the product.

* Indicates a component that is not available as an individual part.

*** Indicates consult Customer Service Department for additional information.

ITEM	PART NO.	1 2 3 4 5	DESCRIPTION	QTY.
1	630776		Engine Pan	1
2	606259		Flanged Hex Head Bolt, M10 - 1.25 x 45mm Lg, Grade 8.8	4
3				
4	606256		Flanged Hex Head Bolt, M10 - 1.25 x 25mm Lg, Grade 8.8	4
5	603823		Flat Washer, M10	4
6	606279		Flanged Hex Nut, M10 - 1.25	4
7				
8	662794		Front Mount Bracket Assembly (includes Items 9 - 13).....	1
9	625345		Front Mount Bracket	1
10	605757		Rubber Bumper	2
11	00974G01		Hex Nut, M10 - 1.5	2
12	608654		Lock Washer (Split), 10mm	2
13	692754		Tube Clamp (Wide), 1"	1
14	72016G01		Tube Spacer.....	1
15	11098G5		Lock Nut, 3/8" - 16	1
16	01109G01		Lock Nut, 5/16" - 18	1
17	00643G1		Flat Washer, 3/8"	1
18	00559G8		Flat Washer, 5/16"	1
19	00438G7		Hex Head Bolt, 5/16" - 18 x 7/8" Lg, Grade 5	1
20	00428G8		Hex Head Bolt, 3/8" - 16 x 2.75" Lg	1
21	652247		Crossmember Brace	1

FRONT SUSPENSION AND STEERING



FRONT SUSPENSION AND STEERING

THE USE OF NON U.L. PARTS WILL VOID ANY U.L. LISTING.

When ordering parts, please specify the model and serial number of the product.

* Indicates a component that is not available as an individual part.

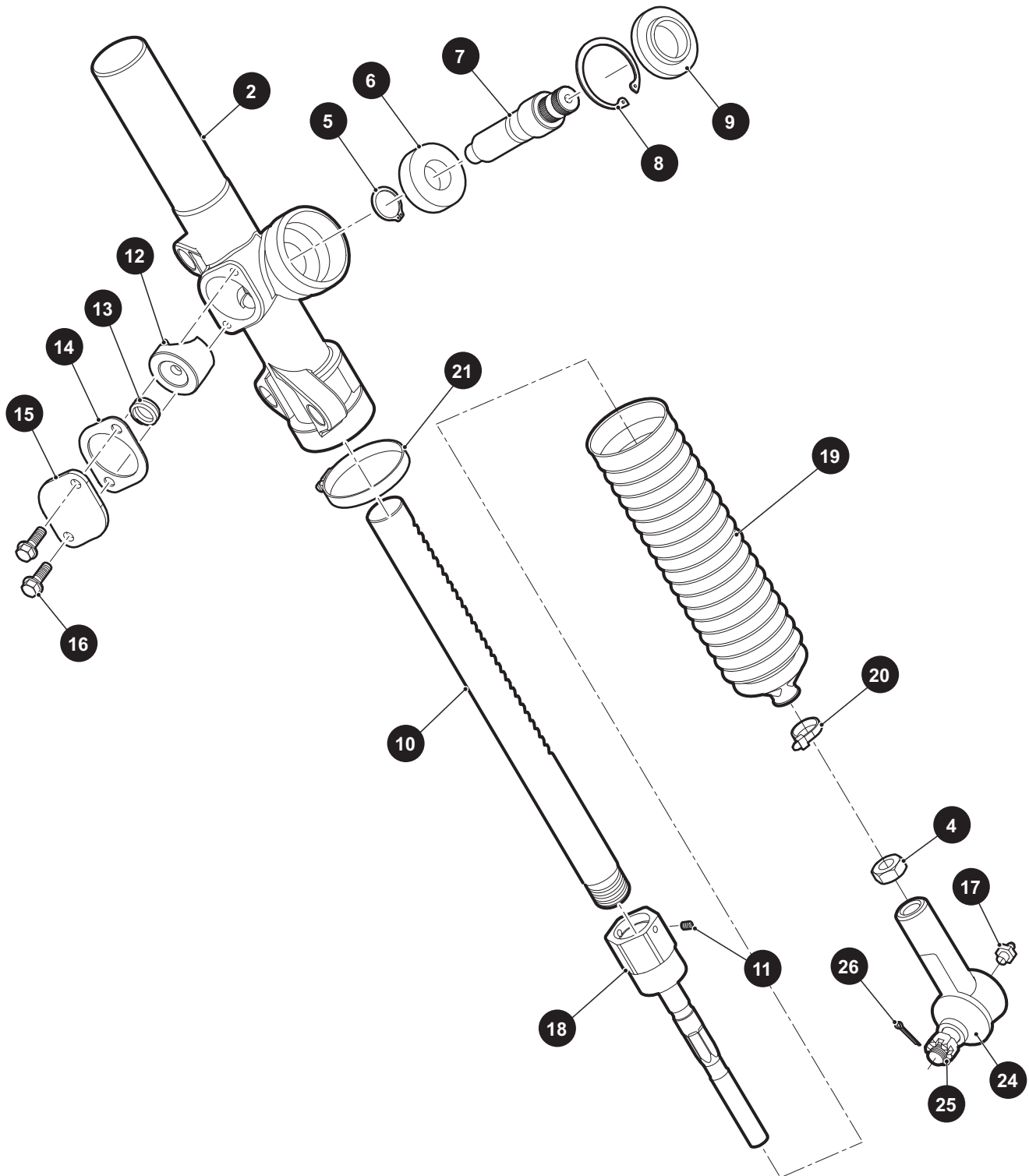
*** Indicates consult Customer Service Department for additional information.

ITEM	PART NO.	1 2 3 4 5	DESCRIPTION	QTY.
1	633753		Front Axle	1
2				
3	00407G6		Hex Head Bolt, 1/2" - 13 x 6" Lg, Grade 5	2
4	00560G3		Flat Washer, 1/2"	4
5	70745G01		King Pin Tube.....	2
6	70754G01		Thrust Washer (SS), 1"	2
7	14390G6		Lock Nut, 1/2" - 13	2
8	76419G01		Shock Absorber.....	2
9				
10				
11				
12	10435G1		Shock Absorber Washer	8
13	10194G1		Rubber Bushing	8
14	00532G6		Hex Nut, 3/8" - 24.....	4
15				
16				
17	70664G03		Leaf Spring (Heavy Duty).....	2
18	652258		Spring Plate.....	2
19	00734G1		Lock Nut, 7/16" - 14	11
20	00463G11		Hex Head Bolt, 7/16" - 14 x 1 3/4" Lg, Grade 5	11
21	10044G01		Vinyl Cap.....	4

FRONT SUSPENSION AND STEERING

1 Rack and Pinion Unit (Complete) includes items 2 - 23

23 Rack Ball Joint includes items 24 - 25



FRONT SUSPENSION AND STEERING

THE USE OF NON U.L. PARTS WILL VOID ANY U.L. LISTING.

When ordering parts, please specify the model and serial number of the product.

* Indicates a component that is not available as an individual part.

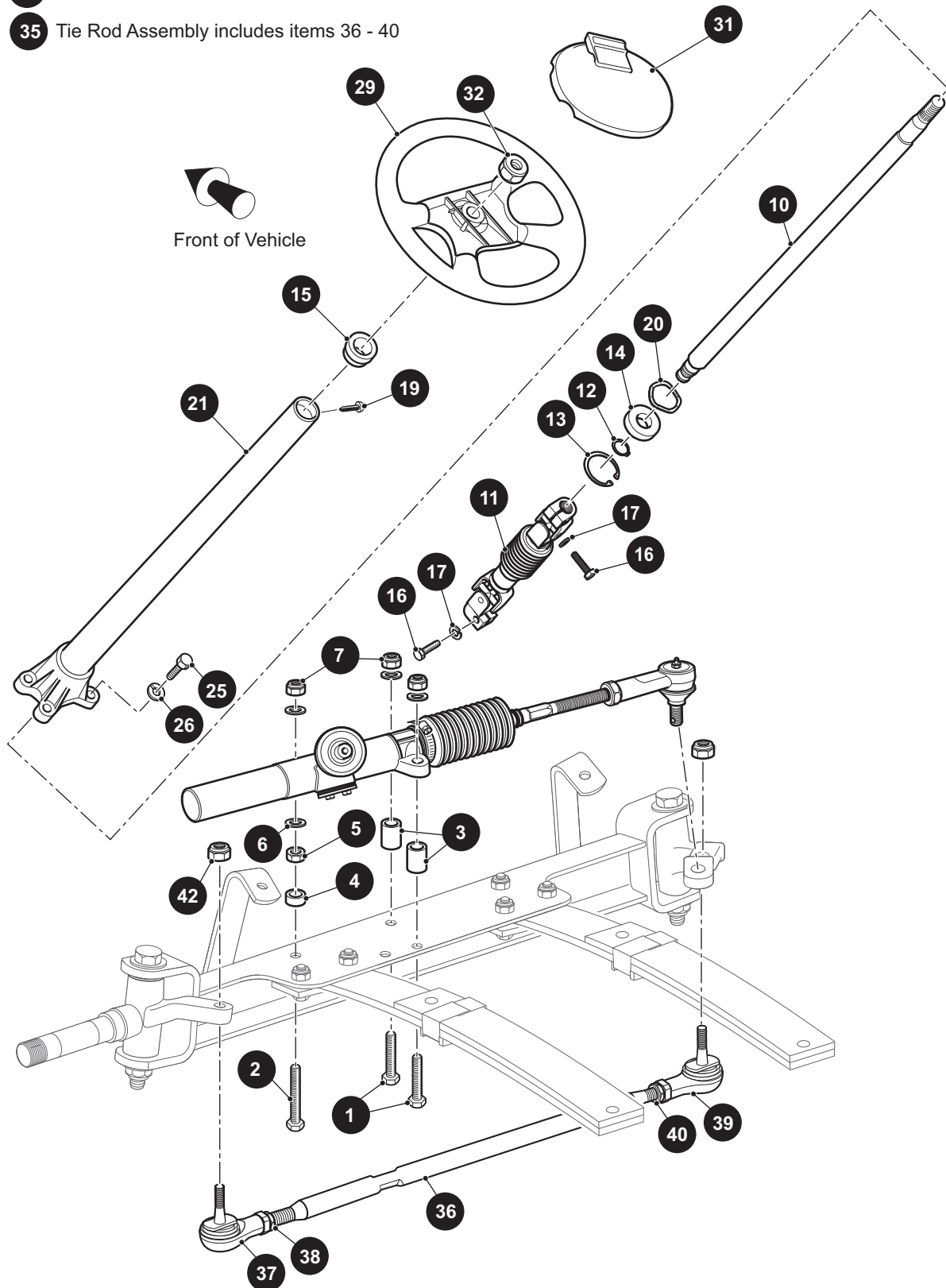
*** Indicates consult Customer Service Department for additional information.

ITEM	PART NO.	1 2 3 4 5	DESCRIPTION	QTY.
1	74605G01		Rack and Pinion Unit (Complete) (Includes Items 2 - 23)	1
2	70965G01		Steering Rack Cover and Bearing	1
3				
4	*		Jam Nut, 1/2" - 20	1
5	70750G01		Retaining Ring (External)	1
6	15112G1		Ball Bearing.....	1
7	70603G01		Pinion	1
8	70751G01		Retaining Ring (Internal)	1
9	70638G01		Seal (Pinion)	1
10	70604G01		Steering Rack	1
11	*		Set Screw, #10 - 32 x .25" Lg	1
12	70590G01		Rack Loader.....	1
13	70666G01		Compression Spring	1
14	70645G01		Gasket (Rack Loader)	1
15	652259		Cover (Rack Loader)	1
16	71102G01		Hex Washer Head Bolt, 1/4" - 20 x 11/16" Lg	2
17	10389G3		Grease Fitting (Straight).....	1
18	74602G01		Rod End (Inner)	1
19	70961G01		Rack Boot	1
20	12416G2		Nylon Clamp, 10" Lg	1
21	11391G8		Hose Clamp, 1.81"	1
22				
23	70695G01		Tie Rod End (Includes Items 24 - 25)	1
24	50641G1		Grommet	1
25	50209G2		Hex Slotted Nut, 7/16" - 20	1
26	10387G2		Cotter Pin, 3/32" x 1"	1

FRONT SUSPENSION AND STEERING

9 Steering Column Assembly includes items 10 - 21

35 Tie Rod Assembly includes items 36 - 40



FRONT SUSPENSION AND STEERING

THE USE OF NON U.L. PARTS WILL VOID ANY U.L. LISTING.

When ordering parts, please specify the model and serial number of the product.

* Indicates a component that is not available as an individual part.

*** Indicates consult Customer Service Department for additional information.

ITEM	PART NO.	1 2 3 4 5	DESCRIPTION	QTY.
1	00464G8		Hex Head Bolt, 7/16" - 14 x 2 3/4" Lg, Grade 5	2
2	01068G01		Hex Head Bolt, 7/16" - 14 x 3 1/2" Lg, Grade 5	1
3	70667G02		Spacer, 1.21" Lg.....	2
4	70667G04		Spacer (Short), .69" Lg	1
5	00532G7		Hex Nut, 7/16" - 14.....	1
6	00560G2		Flat Washer, 7/16".....	7
7	00734G1		Lock Nut, 7/16" - 14	3
8				
9	70758G05		Steering Column Assembly (Includes Items 10 - 21)	1
10	70607G01		Steering Shaft.....	1
11	70580G01		Intermediate Shaft	1
12	70888G01		Retaining Ring (External)	1
13	70751G01		Retaining Ring (Internal).....	1
14	15112G1		Ball Bearing	1
15	28569G01		Bushing.....	1
16	01055G01		Hex Head Bolt, M8 - 1.25 x 30mm Lg, Grade 8.8	2
17	00565G8		Lock Washer (Spring Type), 5/16"	2
18				
19	01022G01		Hex Washer Head Self Tapping Screw, #6 - 20 x 5/16" Lg.....	1
20	70887G01		Wave Washer (SS)	1
21	70610G03		Steering Column	1
22				
23				
24				
25	01006G01		Hex Washer Head Thread Forming Screw, 3/8" - 16 x 1 1/4" Lg	4
26	00879G1		Lock Washer, 3/8"	4
27				
28				
29	602979		Steering Wheel.....	1
30				
31	607925		Scorecard Holder Assembly.....	1

FRONT SUSPENSION AND STEERING

THE USE OF NON U.L. PARTS WILL VOID ANY U.L. LISTING.

When ordering parts, please specify the model and serial number of the product.

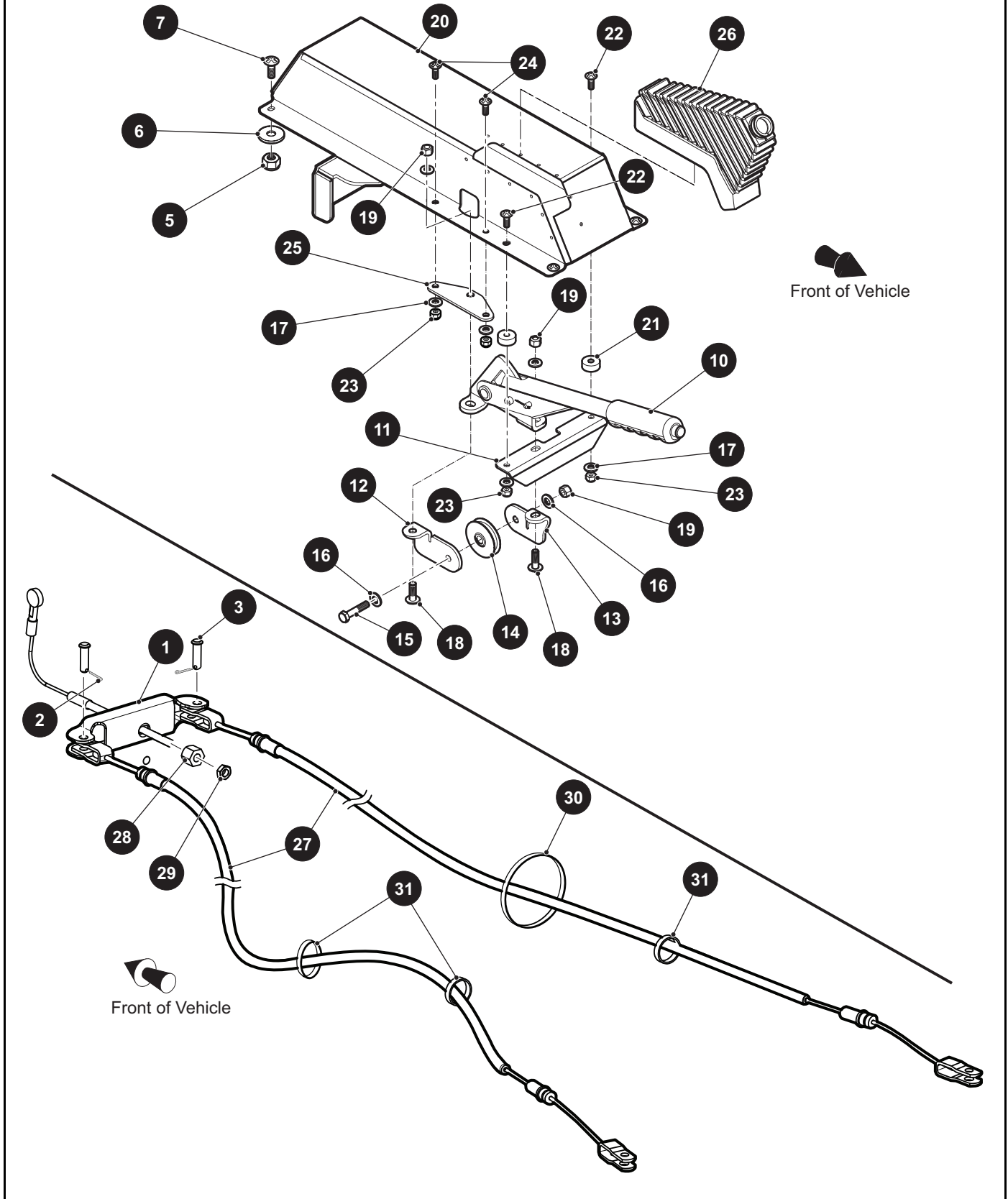
* Indicates a component that is not available as an individual part.

*** Indicates consult Customer Service Department for additional information.

ITEM	PART NO.	1	2	3	4	5	DESCRIPTION	QTY.
32	14390G2						Lock Nut, 5/8" - 18	1
33								
34								
35	74604G01						Tie Rod Assembly (Includes Items 36 - 40)	1
36	74603G01						Threaded Rod, 24"	1
37	70902G01						Tie Rod End (Left Hand Threads)	1
38	01069G01						Jam Nut, M12 x 1.25 - 05 (Left Hand Threads)	1
39	70902G02						Tie Rod End (Right Hand Threads)	1
40	01069G02						Jam Nut, M12 x 1.25 - 05 (Right Hand Threads)	1
41								
42	00734G1						Lock Nut, 7/16" - 14	2

PARK BRAKE

8 Park Brake and Console Assembly includes items 9 - 26



THE USE OF NON U.L. PARTS WILL VOID ANY U.L. LISTING.

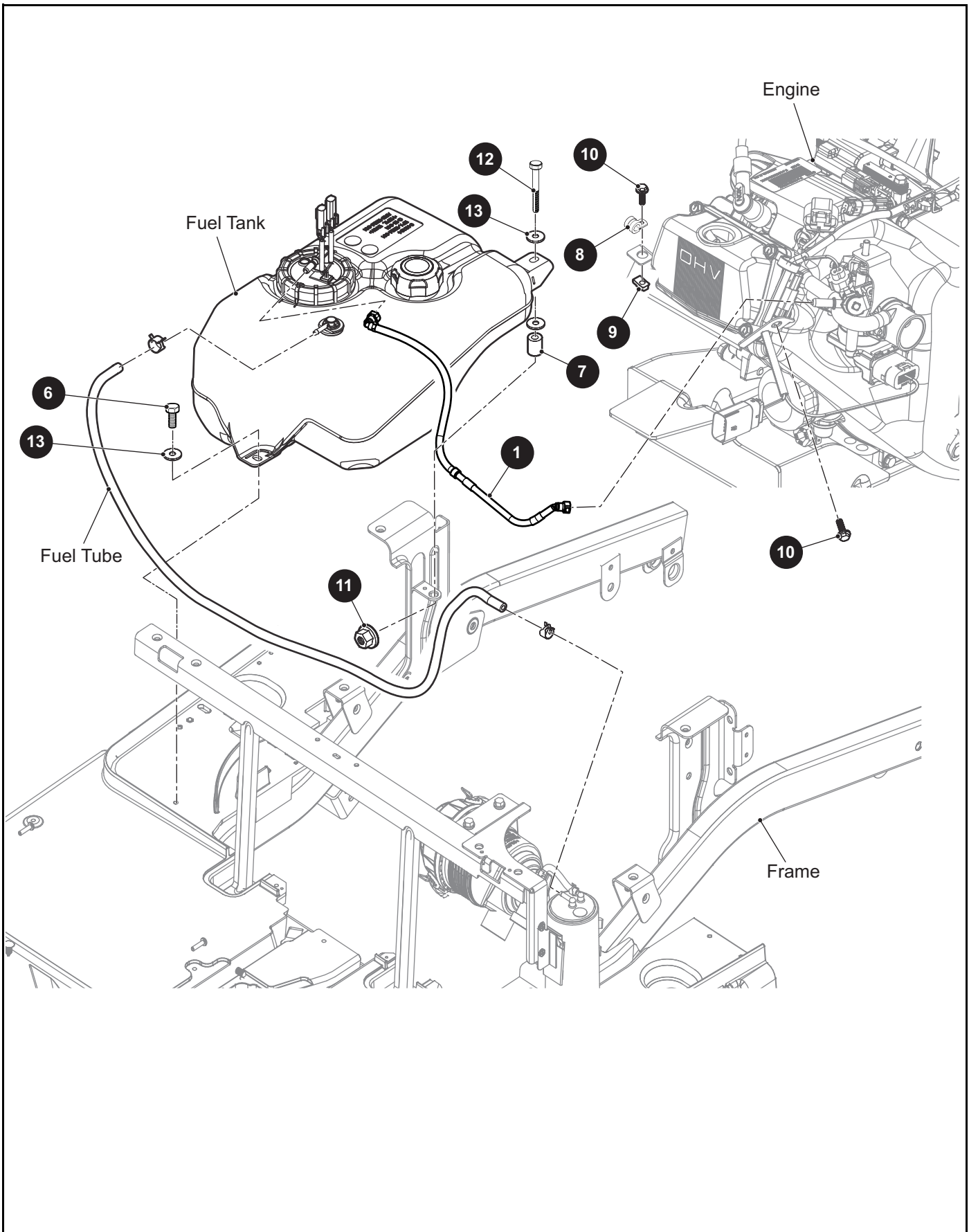
When ordering parts, please specify the model and serial number of the product.

* Indicates a component that is not available as an individual part.

*** Indicates consult Customer Service Department for additional information.

ITEM	PART NO.	1 2 3 4 5	DESCRIPTION	QTY.
1	75499G01		Equalizer Bracket.....	1
2	10387G3		Cotter Pin, .094" x .75".....	2
3	14443G3		Clevis Pin, 1" x 2.406".....	2
4	01111G01		Retaining Ring (Not Illustrated).....	2
5	14390G4		Lock Nut, 1/4" - 20.....	4
6	00559G7		Flat Washer, 1/4".....	4
7	16705G3		Truss Head Phillips Screw (SS), 1/4" - 20 x 3/4" Lg.....	4
8	650984		Park Brake and Console Assembly (Includes Items 9 - 26).....	1
9	17618G1		Nylon Clamp, 8" Lg (Not Illustrated).....	1
10	75791G03		Park Brake Lever Assembly.....	1
11	75594G01		Support Bracket.....	1
12	75768G01		Pully Mount Bracket (Passenger Side).....	1
13	75769G01		Pully Mount Bracket (Driver Side).....	1
14	75789G01		Brake Cable Pulley.....	1
15	00439G4		Hex Head Bolt, 5/16" - 18 x 1 1/2" Lg, Grade 5.....	1
16	00559G8		Flat Washer, 5/16".....	4
17	00559G7		Flat Washer, 1/4".....	4
18	00976G08		Truss Head Phillips Screw, 5/16" - 18 x 1" Lg.....	2
19	11098G6		Lock Nut, 5/16" - 18.....	3
20	650937		Console Cover Weldment.....	1
21	23726G12		Spacer.....	2
22	16705G1		Truss Head Phillips Screw (SS), 1/4" - 20 x 1" Lg.....	2
23	14390G4		Lock Nut, 1/4" - 20.....	4
24	16705G3		Truss Head Phillips Screw (SS), 1/4" - 20 x .75" Lg.....	2
25	75773G01		Support Plate.....	1
26	75821G01		Boot.....	1
27	650954G01		Brake Cable.....	2
28	00544G4		Hex Jam Nut, 1/4" - 20.....	1
29	629486		Hex Nut, 5/16" - 24.....	1
30	12416G2		Nylon Wedge Lock Clamp, 11.8" Lg.....	1
31	17618G1		Nylon Clamp, 8" Lg.....	3

FUEL SYSTEM



FUEL SYSTEM

THE USE OF NON U.L. PARTS WILL VOID ANY U.L. LISTING.

When ordering parts, please specify the model and serial number of the product.

* Indicates a component that is not available as an individual part.

*** Indicates consult Customer Service Department for additional information.

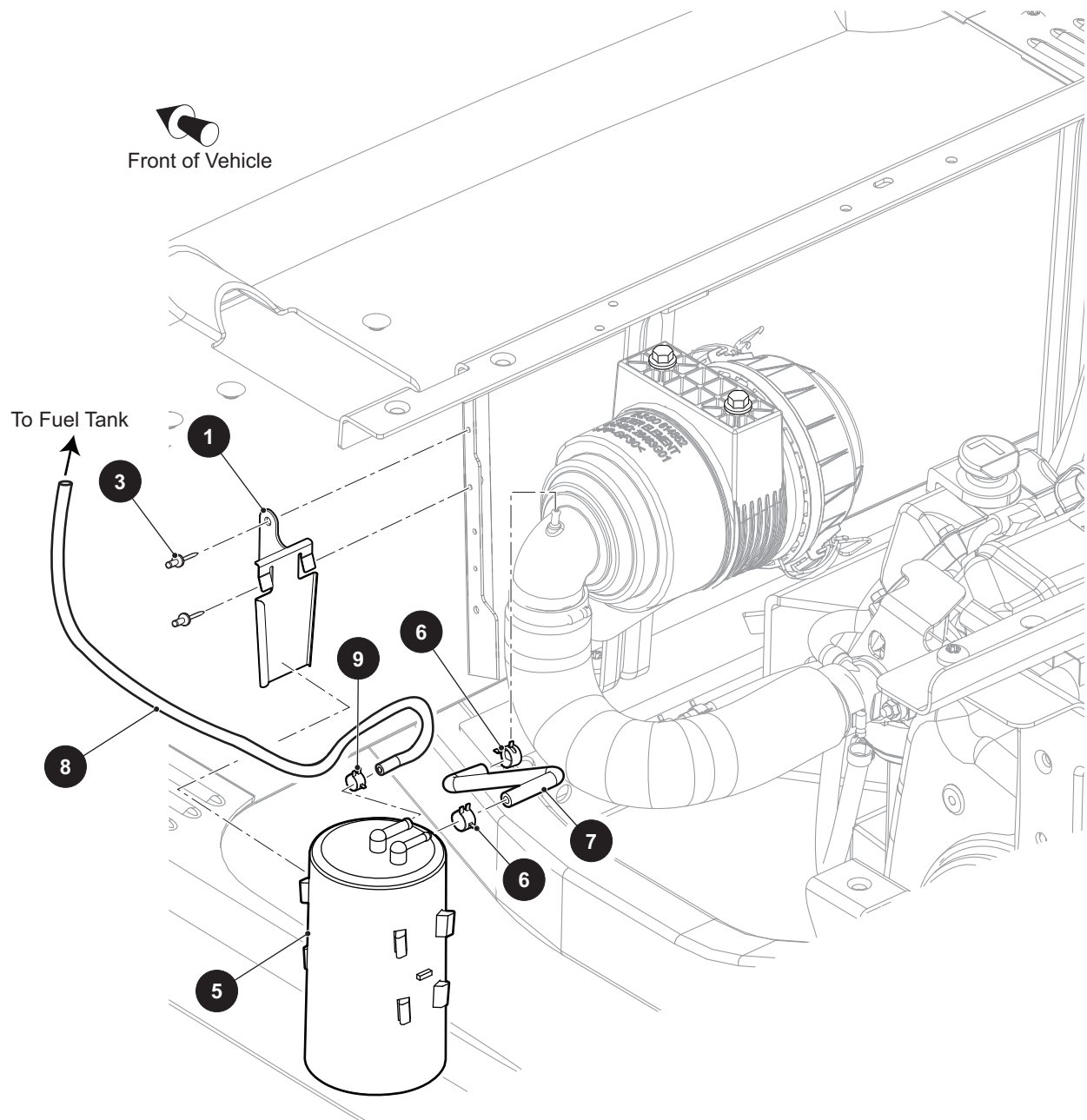
ITEM	PART NO.	1 2 3 4 5	DESCRIPTION	QTY.
1	666924		Fuel Hose	1
2				
3				
4				
5				
6	00438G7		Hex Head Bolt, 5/16" - 18 x 7/8" Lg, Grade 5	1
7	72016G01		Tube Spacer.....	1
8	664747		Tubing Clamp, .5".....	2
9	602409		Barrel Clip, M6 - 1	2
10	606264		Flanged Hex Head Bolt, M6 - 1 x 20mm Lg, Grade 8.8.....	2
11	11027G1		Lock Nut, 5/16" - 18	2
12	00440G2		Hex Head Bolt, 5/16" - 18 x 2 1/4" Lg, Grade 5	1
13	604066		Flat Washer, M10	3

FUEL SYSTEM

THE USE OF NON U.L. PARTS WILL VOID ANY U.L. LISTING.
 When ordering parts, please specify the model and serial number of the product.
 * Indicates a component that is not available as an individual part.
 *** Indicates consult Customer Service Department for additional information.

ITEM	PART NO.	1 2 3 4 5	DESCRIPTION	QTY.
1	646833		Fuel Tank (with Sender Unit) (Includes Items 2 - 8)	1
2	646358		Fuel Pickup with Sender Unit	1
3	646284		Fuel Tank	1
4	646837		Fuel Pump Lid	1
5	646838		Mason Jar Seal.....	1
6	647810		Rollover Valve Grommet.....	1
7	647809		Rollover Valve.....	1
8	670898		Fuel Tank Cap (Ratchet).....	1

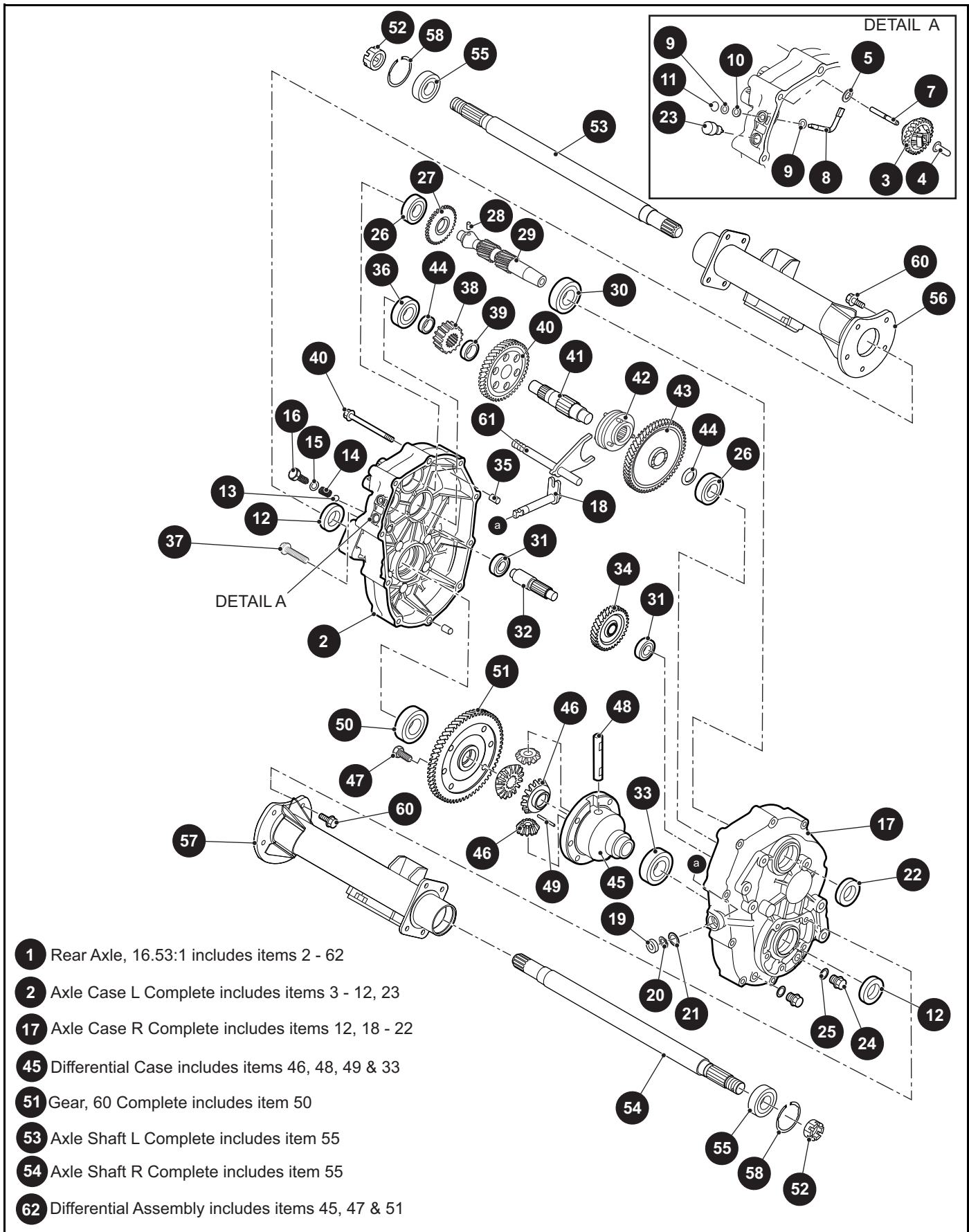
4 Carbon Canister Assembly includes items 5 - 9



THE USE OF NON U.L. PARTS WILL VOID ANY U.L. LISTING.
 When ordering parts, please specify the model and serial number of the product.
 * Indicates a component that is not available as an individual part.
 *** Indicates consult Customer Service Department for additional information.

ITEM	PART NO.	1 2 3 4 5	DESCRIPTION	QTY.
1	606310		Canister Mounting Bracket.....	1
2				
3	10570G11		Domed Rivet, 3/16"	2
4	655002		Carbon Canister Assembly (Includes Items 5 - 9).....	1
5	606071		Carbon Canister	1
6	606963		Hose Clamp, 3/16" I.D	2
7	606966		Hose, 3/16" I.D	1
8	27184G04		Fuel Tube, .25 I.D x .5 O.D x 32" Lg.....	1
9	18292G1		Tubing Clamp	2

REAR AXLE



- 1 Rear Axle, 16.53:1 includes items 2 - 62
- 2 Axle Case L Complete includes items 3 - 12, 23
- 17 Axle Case R Complete includes items 12, 18 - 22
- 45 Differential Case includes items 46, 48, 49 & 33
- 51 Gear, 60 Complete includes item 50
- 53 Axle Shaft L Complete includes item 55
- 54 Axle Shaft R Complete includes item 55
- 62 Differential Assembly includes items 45, 47 & 51

REAR AXLE

THE USE OF NON U.L. PARTS WILL VOID ANY U.L. LISTING.

When ordering parts, please specify the model and serial number of the product.

* Indicates a component that is not available as an individual part.

*** Indicates consult Customer Service Department for additional information.

ITEM	PART NO.	1 2 3 4 5	DESCRIPTION	QTY.
1	670469		Rear Axle, 16.53:1 (Includes Items 2 - 62).....	1
2	645042		Axle Case L Complete (Includes Items 3 - 12, 23)	1
3	665887		Governor Gear	1
4	639689		Governor Sleeve	1
5	607904		Flat Washer	1
6				
7	639698		Governor Gear Shaft.....	1
8	639707		Governor Shaft.....	1
9	639736		Flat Washer, 6mm	2
10	607911		Oil Seal, 6 x 10 x 2.5mm	1
11	607913		Retaining Ring E5	1
12	639738		Oil Seal, 24 x 40 x 9mm	2
13	26818G01		Steel Ball	1
14	26819G01		Spring	1
15	26831G01		Gasket, 10	1
16	26820G01		Flanged Hex Head Bolt, M10 - 1.25 x 12mm Lg	1
17	645045		Axle Case R Complete (Includes Items 12, 18 - 22)	1
18	639746		Select Shaft.....	1
19	607915		Oil Seal, 13 x 22 x 5mm	1
20	607916		Snap Ring, 13mm	1
21	607917		Spacer, 13 x 1mm	1
22	640093		Oil Seal, 28 x 47 x 9mm	1
23	607919		Air Breather	1
24	639747		Oil Drain Plug	2
25	639748		Gasket, 14mm	2
26	645049		Ball Bearing (6204).....	2
27	665888		Governor Gear, 34.....	1
28	607920		Pin, 6 x 12l.....	1
29	644532		Input Shaft	1
30	645052		Ball Bearing (62/28).....	1
31	639868		Ball Bearing (TMB202)	2

REAR AXLE

THE USE OF NON U.L. PARTS WILL VOID ANY U.L. LISTING.

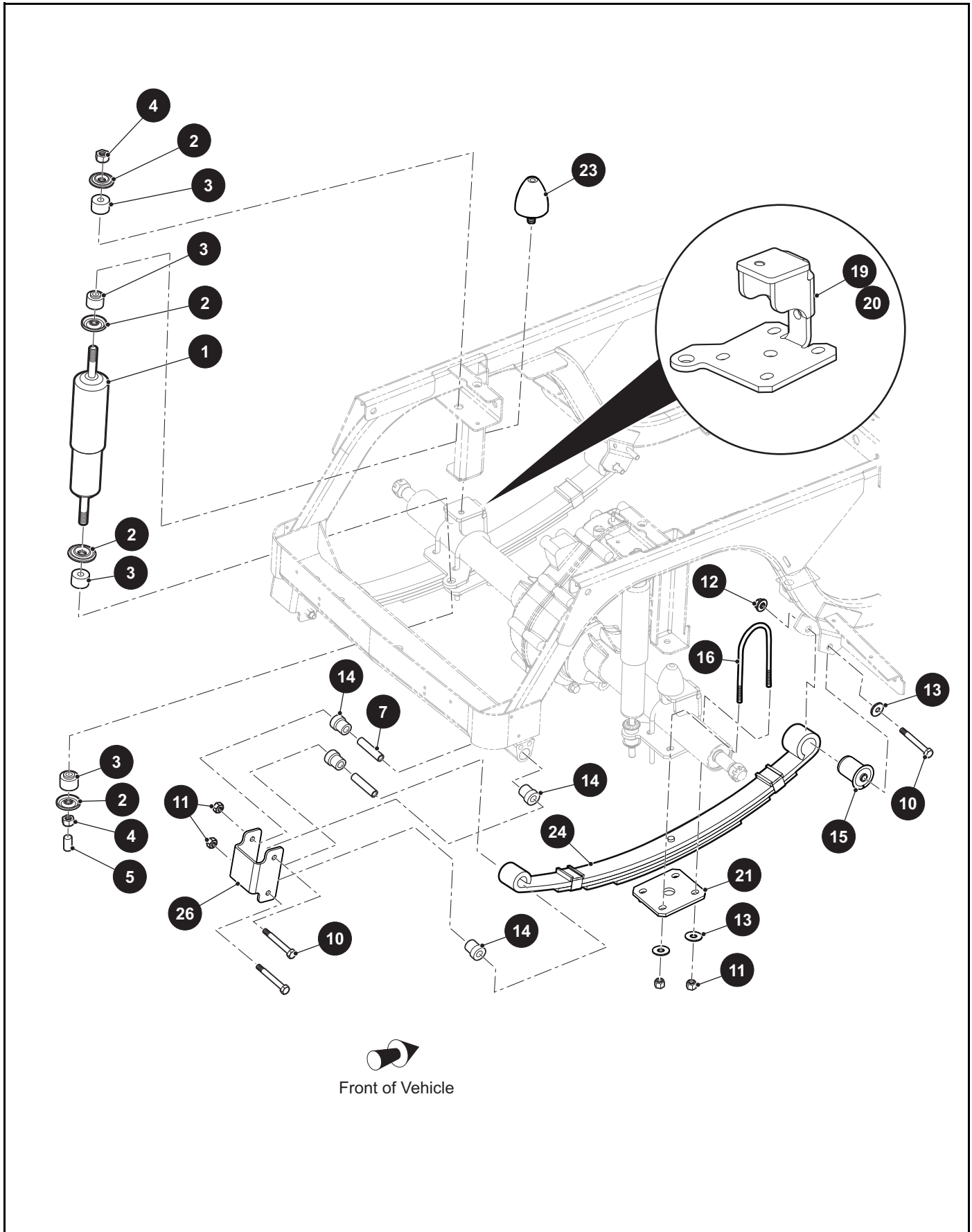
When ordering parts, please specify the model and serial number of the product.

* Indicates a component that is not available as an individual part.

*** Indicates consult Customer Service Department for additional information.

ITEM	PART NO.	1	2	3	4	5	DESCRIPTION	QTY.
32	645053						Counter Shaft.....	1
33	640744						Ball Bearing (6006)	1
34	644530						Gear, 34	1
35	639869						Knock Pipe	2
36	645059						Ball Bearing (6304)	2
37	639768						Flanged Hex Head Bolt, M8 - 1.25 x 40mm Lg.....	1
38	644536						Gear, 17	1
39	28689G01						Collar, 24 x 7.5mm	1
40	644541						Gear, 48	1
41	670697						Center Shaft.....	1
42	639774						Clutch Pin.....	1
43	670696						Gear, 61	1
44	639797						Spacer, 20 x 2mm.....	2
45	639872						Differential Case (Includes Items 46, 48, 49 and 33).....	1
46	639800						Differential Pair Gear.....	1
47	26808G01						Hex Head Bolt, M10 - 1.25 x 26mm Lg	6
48	28723G01						Differential Shaft.....	1
49	28697G01						Spring Pin, 4 x 40L.....	1
50	645061						Ball Bearing (6007)	1
51	644542						Gear, 60 Complete (Includes Item 50).....	1
52	607938						Castled Nut, M22 - 1.5	2
53	639876						Axle Shaft L Complete (Includes Item 55).....	1
54	639881						Axle Shaft R Complete (Includes Item 55)	1
55	639836						Ball Bearing (6205DD).....	2
56	607939						Axle Case L Complete	1
57	607940						Axle Case R Complete.....	1
58	26814G01						Snap Ring, 52mm	2
59	639839						Flanged Hex Head Bolt, M8 - 1.25 x 60mm Lg	9
60	639840						Flanged Hex Head Bolt, M10 - 1.25 x 25mm Lg.....	10
61	645063						Shift Shaft Complete	1
62	639847						Differential Assembly (Includes Items 45, 47 and 51)	1

REAR SUSPENSION



REAR SUSPENSION

THE USE OF NON U.L. PARTS WILL VOID ANY U.L. LISTING.

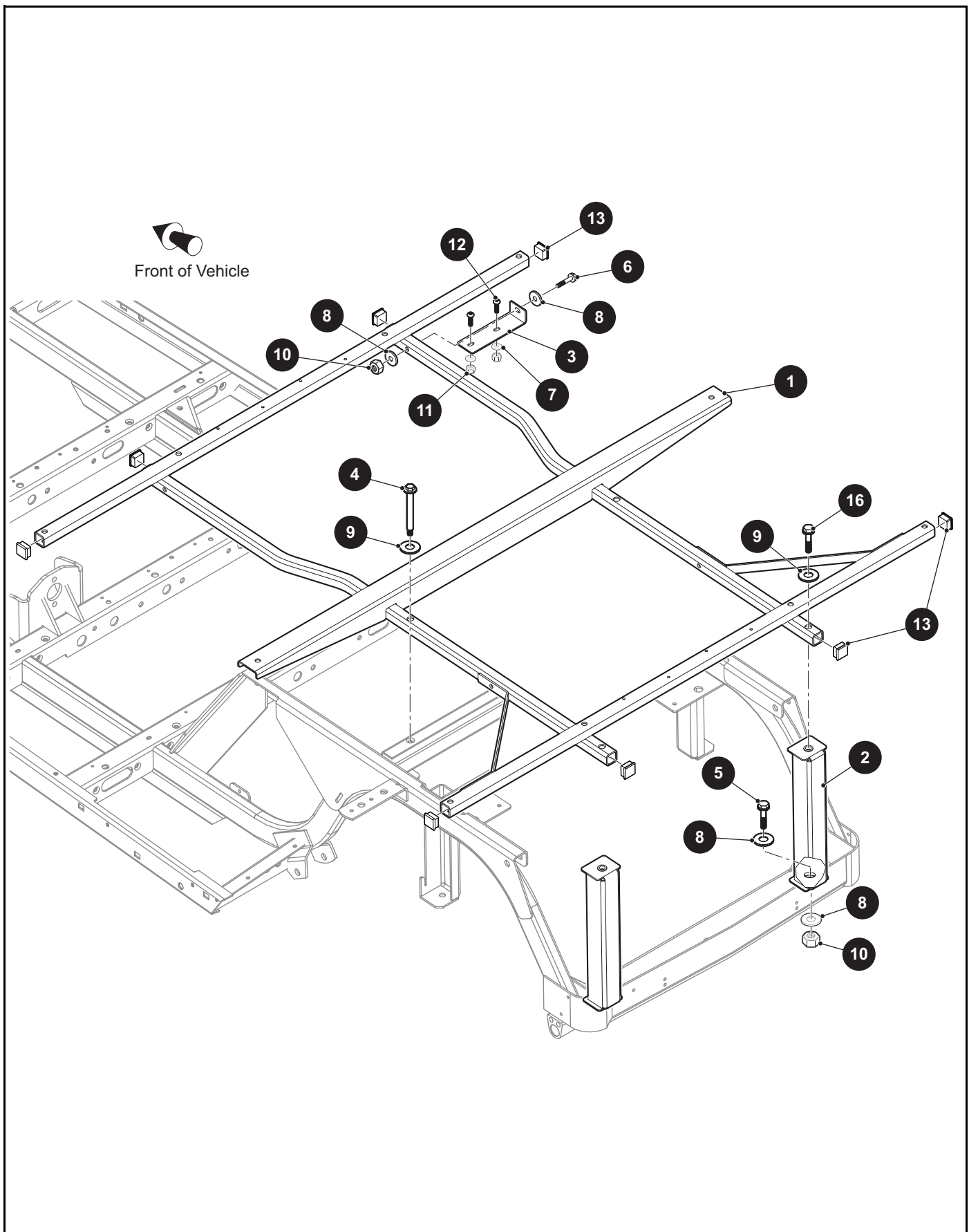
When ordering parts, please specify the model and serial number of the product.

* Indicates a component that is not available as an individual part.

*** Indicates consult Customer Service Department for additional information.

ITEM	PART NO.	1 2 3 4 5	DESCRIPTION	QTY.
1	642085		Shock Absorber.....	2
2	10435G1		Shock Absorber Washer	4
3	10194G1		Rubber Bushing	4
4	00532G6		Hex Nut, 3/8" - 24.....	2
5	10044G01		Vinyl Cap.....	1
6				
7	70289G02		Split Spacer (Steel)	2
8				
9				
10	00665G9		Hex Head Bolt, 3/8" - 16 x 1" Lg	3
11	11098G5		Lock Nut, 3/8" - 16	6
12	12262G1		Flanged Lock Nut, 3/8" - 16	1
13	00643G1		Flat Washer, 3/8"	5
14	624030		Flanged Bushing	4
15	605445		Front Spring Bushing	1
16	32195G3		U-bolt, 3/8" - 16 x 5" x 2.875" x 2"	2
17				
18				
19	652400		Axle Bracket (Driver Side).....	1
20	652402		Axle Bracket (Passenger Side)	1
21	652246		Suspension Plate	1
22				
23	70492G01		Rubber Bumper.....	1
24	635172		Leaf Spring.....	1
25				
26	652252G03		Shackle Bracket	1

REFRESHER UNIT



REFRESHER UNIT

THE USE OF NON U.L. PARTS WILL VOID ANY U.L. LISTING.

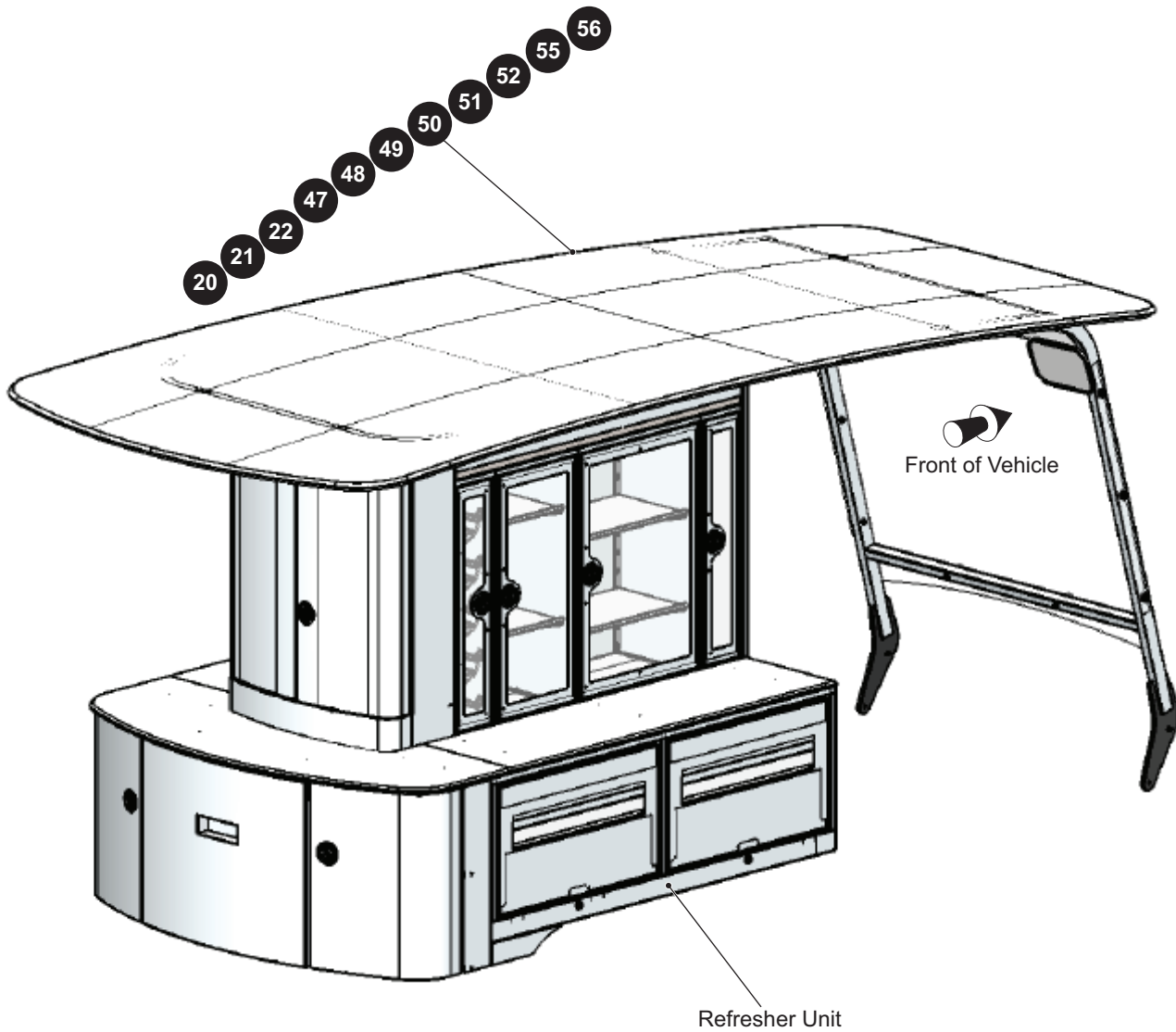
When ordering parts, please specify the model and serial number of the product.

* Indicates a component that is not available as an individual part.

*** Indicates consult Customer Service Department for additional information.

ITEM	PART NO.	1 2 3 4 5	DESCRIPTION	QTY.
1	632963		Bed Frame, Refresher Weldment	1
2	635116		Rear Bracket, Bed Assembly	2
3	72983G01		Front Tab	2
4	01075G01		Hex Washer Head Bolt, 3/8" - 16 x 2 1/2" Lg	2
5	00439G1		Hex Head Bolt, 5/16" - 18 x 1 1/8" Lg, Grade 5	2
6	00439G8		Hex Head Bolt, 5/16" - 18 x 2" Lg, Grade 5	2
7	00559G7		Flat Washer, 1/4"	4
8	00559G8		Flat Washer, 5/16"	8
9	00571G3		Flat Washer, 3/8"	4
10	11098G6		Lock Nut, 5/16" - 18	4
11	00654G2		Lock Nut (SS), 1/4" - 20	4
12	16705G3		Truss Head Phillips Screw (SS), 1/4" - 20 x 3/4" Lg.....	4
13	19853G1		Tube Cap, 1" Sq.....	8
14				
15				
16	00427G8		Hex Head Bolt, 3/8" - 16 x 2" Lg, Grade 5	2

REFRESHER UNIT



REFRESHER UNIT SHOWN FOR REPRESENTATION PURPOSE ONLY

REFRESHER UNIT

THE USE OF NON U.L. PARTS WILL VOID ANY U.L. LISTING.

When ordering parts, please specify the model and serial number of the product.

* Indicates a component that is not available as an individual part.

*** Indicates consult Customer Service Department for additional information.

ITEM	PART NO.	1 2 3 4 5	DESCRIPTION	QTY.
ITEMS 1 - 18, 25 - 44, 25 - 44, 57 - 143 NOT SHOWN				
1	634128G01		Snack Module with Hooks (Pebble Platinum), 6"	1
2	634128G02		Snack Module with Hooks (Desert Stone), 6"	1
3	634129G01		Snack Module with Hooks (Pebble Platinum), 12"	1
4	634129G02		Snack Module with Hooks (Desert Stone), 12"	1
5	634130G01		Cup Holder Module (Pebble Platinum).....	1
6	634130G02		Cup Holder Module (Desert Stone).....	1
7	634131G01		Standard Module Shelves (Pebble Platinum), 12"	1
8	634131G02		Standard Module Shelves (Desert Stone), 12"	1
9	634132G01		Standard Module Shelves (Pebble Platinum), 18"	1
10	634132G02		Standard Module Shelves (Desert Stone), 18"	1
11	634139		Mini Tray Set, 3 Pack	1
12	634133		Candy and Sandwich Drawer Inserts.....	1
13				
14	634250G01		Single Airpot Holder, 2 Pack (Polar White), 12"	1
15	634250G06		Single Airpot Holder, 2 Pack (Gray), 12"	1
16				
17	634251G01		Dual Airpot Holder (Polar White), 18"	1
18	634251G06		Dual Airpot Holder (Gray), 18"	1
19				
20	635463G01		Refresher Unit, FS4 (Pebble Platinum).....	1
21	635463G02		Refresher Unit, FS4 (Desert Stone).....	1
22	635463G03		Refresher Unit, FS4 (Custom Color).....	1
23				
24				
25	634138		12" Wedge Shelves, 2 Pack.....	1
26	634141		Food Warming Bags, 8 x 10"	1
27				
28				
29				
30				

REFRESHER UNIT

THE USE OF NON U.L. PARTS WILL VOID ANY U.L. LISTING.

When ordering parts, please specify the model and serial number of the product.

* Indicates a component that is not available as an individual part.

*** Indicates consult Customer Service Department for additional information.

ITEM	PART NO.	1	2	3	4	5	DESCRIPTION	QTY.
31	634144						18" Wedge Shelves, 2 Pack	1
32	636431						Catering Bags, 1 Pair	1
33								
34	634147						Airpot, 3.0 Liter (SS)	1
35								
36								
37								
38								
39	634151G01						Mini Bottle Holder, 3 Pack (Pebble Platinum)	1
40	634151G02						Mini Bottle Holder, 3 Pack (Desert Stone)	1
41	634148G01						Reversible Insert, Airpot/bottle (Polar White)	1
42								
43	637792G01						Cup Module (Pebble Platinum), 18"	1
44	637792G02						Cup Module (Desert Stone), 18"	1
45								
46								
47	637790G01						Striped Canopy Cloth (Parade Olive)	1
48	637790G02						Striped Canopy Cloth (Clinton Granite)	1
49	637790G03						Canopy Cloth (Classical Regimental)	1
50	637790G04						Canopy Cloth (Walnut Brown Tweed)	1
51	637790G05						Canopy Cloth (Solid Motive Denim)	1
52	637790G06						Canopy Cloth (Solid Tresco)	1
53								
54								
55	636432G01						18" Food Warmer Module (Pebble Platinum)	1
56	636432G02						18" Food Warmer Module (Desert Stone)	1
57	637793G01						24" Keg Module (Pebble Platinum)	1
58	637793G02						24" Keg Module (Desert Stone)	1
59	634249						Consumable Ice Insert (SS), 10 x 10 x 20"	1
60	637795						Drawer Divider, 1 Pair (Plastic)	1
61	637796						18" Cup and Display Storage Module	1

REFRESHER UNIT

THE USE OF NON U.L. PARTS WILL VOID ANY U.L. LISTING.

When ordering parts, please specify the model and serial number of the product.

* Indicates a component that is not available as an individual part.

*** Indicates consult Customer Service Department for additional information.

ITEM	PART NO.	1 2 3 4 5	DESCRIPTION	QTY.
62	637797		12" Cup and Display Storage Module	1
63				
64				
65				
66				
67	640547		Drop Ship, Drawer Slides.....	2
68	637790G07		Drop Ship, Canopy (Custom).....	1
69	637790G08		Drop Ship, Canopy (Solid State).....	1
70				
71				
72				
73	640544		Drop Ship, Crafting.....	1
74	634250G06		12" Single Airpot Holder (Gray).....	1
75				
76	637785G01		Countertop, 4 Piece Kit (Beige).....	1
77	637785G02		Countertop, 4 Piece Kit (Green).....	1
78	637785G03		Countertop, 4 Piece Kit (Blue).....	1
79	637785G04		Countertop, 4 Piece Kit (Yellow)	1
80	637785G05		Countertop, 4 Piece Kit (Red)	1
81	637785G05		Countertop, 4 Piece Kit (Grey).....	1
82				
83				
84				
85				
86				
87	637798		Canopy Cloth (Standard Slate)	1
88	637799		Striped Canopy Cloth (Parade Olive).....	1
89	637800		Canopy Cloth (Clinton Granite).....	1
90	637801		Canopy Cloth (Classical Regimental)	1
91	637802		Canopy Cloth (Walnut Brown Tweed)	1
92	637803		Striped Canopy Cloth (Motive Denim).....	1

REFRESHER UNIT

THE USE OF NON U.L. PARTS WILL VOID ANY U.L. LISTING.

When ordering parts, please specify the model and serial number of the product.

* Indicates a component that is not available as an individual part.

*** Indicates consult Customer Service Department for additional information.

ITEM	PART NO.	1	2	3	4	5	DESCRIPTION	QTY.
93	637804						Canopy Cloth (Tresco Birch)	1
94								
95	645399G01						Frozen Compartment Drawer (Pebble Platinum)	1
96	645399G02						Frozen Compartment Drawer (Desert Stone).....	1
97	645400G01						Secondary Bottle Shelf (Pebble Platinum)	1
98	645400G02						Secondary Bottle Shelf (Desert Stone).....	1
99								
100								
101								
102	647099G03						Lower Rear Cabinet, Ice Bin (Pebble Platinum)	1
103	647099G04						Lower Rear Cabinet, Ice Bin (Desert Stone)	1
104	647099G05						Center Compartment, Ice Sink (Pebble Platinum).....	1
105	647099G06						Center Compartment, Ice Sink (Desert Stone).....	1
							The Following Service Parts and Accessories are Available From 19th Hole Marketing, Inc, 400 E. Comstock Drive, Chandler, AZ 85225, Phone: (480) 497 - 8280	
106							Countertop, 1 Piece Removable (Polar White).....	1
107							Countertop, 1 Piece Removable (Beige)	1
108							Countertop, 1 Piece Removable (Green)	1
109							Countertop, 1 Piece Removable (Blue)	1
110							Countertop, 1 Piece Removable (Yellow)	1
111							Countertop, 1 Piece Removable (Red).....	1
112							Countertop, 1 Piece Removable (Gray)	1
113							Upper Rear Cabinet Doors, LH & RH Pair (Pebble Platinum).....	1
114							Upper Rear Cabinet Doors, LH & RH Pair (Desert Stone)	1
115							Trash Can, 10 x 10" (Blue)	1
116							Trash Can, 10 x 10" (Green)	1
117							12" Trash Bin Slider	1
118							Mirrors, 2 Piece with Hardware	1
119							Bottom Drawer Locks To Chassis, 12 Pack.....	1
120							Bottom Drawer Locks To Chassis, 2 Pack.....	1

THE USE OF NON U.L. PARTS WILL VOID ANY U.L. LISTING.

When ordering parts, please specify the model and serial number of the product.

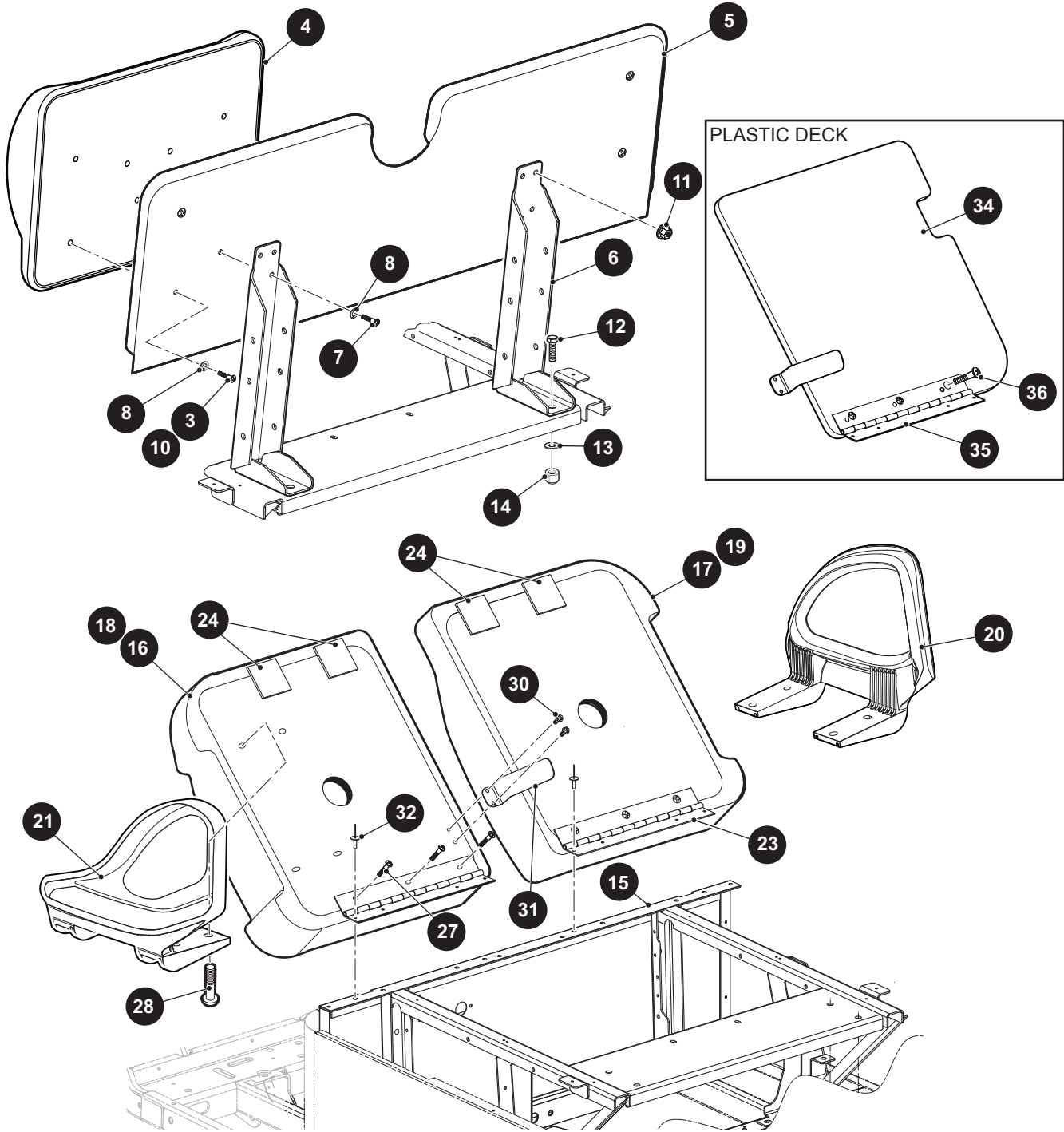
* Indicates a component that is not available as an individual part.

*** Indicates consult Customer Service Department for additional information.

ITEM	PART NO.	1 2 3 4 5	DESCRIPTION	QTY.
121			Drawer Front Facia, 2 Each (Pebble Platinum).....	1
122			Drawer Front Facia, 2 Each (Desert Stone).....	1
123			Water Drain Plugs, 12 Pack	1
124			Water Drain Plugs, 2 Pack	1
125			Nylon Bumper Locks, 18 Piece	1
126			Drawer Entire Kit, 1 Set (Pebble Platinum).....	1
127			Drawer Entire Kit, 1 Set (Desert Stone)	1
128			6" Std Insert Boxes, 2 Pack	1
129			Key For Drawer Lock To Chassis, 2 Keys.....	1
130			6" Door with Hardware (Pebble Platinum)	1
131			12" Door with Hardware (Pebble Platinum)	1
132			18" Door with Hardware (Pebble Platinum)	1
133			6" Door with Hardware (Desert Stone).....	1
134			12" Door with Hardware (Desert Stone).....	1
135			18" Door with Hardware (Desert Stone).....	1
136			Door Locks, 12 Pack	1
137			Door Locks, 2 Pack	1
138			Upper Rear Cabinet Doors, LH & RH Pair (Pebble Platinum)	1
139			Module Locking System (Pebble Platinum)	1
140			Upper Rear Cabinet Doors, LH & RH Pair (Desert Stone).....	1
141			Module Locking System (Desert Stone).....	1
142			24" Dual Action Extension Slide, 1 Pair	1
143			Polycarbon Peg Board,1 Pair.....	1

SEATING

- 1** Seat Back Assembly includes items 3 - 8
- 2** Single Seat Back Assembly includes items 4 - 11
- 33** Plastic Deck Assembly includes items 34 - 36



- 16** Seat Bottom Assembly (Driver Side) includes items 18, 21 - 28
- 17** Seat Bottom Assembly (Passenger Side) includes items 19, 20, 23 - 28

THE USE OF NON U.L. PARTS WILL VOID ANY U.L. LISTING.

When ordering parts, please specify the model and serial number of the product.

* Indicates a component that is not available as an individual part.

*** Indicates consult Customer Service Department for additional information.

ITEM	PART NO.	1 2 3 4 5	DESCRIPTION	QTY.
1	***		Seat Back Assembly (Includes Items 3 - 8)..... 75849G01 Tan 75849G03 White 75849G04 Gray 75849G05 Black	2
2	***		Single Seat Back Assembly (Includes Items 4 - 11)..... 620416G01 Tan 620416G03 White 620416G04 Gray 620416G05 Black	1
3	16705G3		Truss Head Phillips Screw (SS), 1/4" - 20 x 3/4" Lg	4
4	***		Seat Back Cushion 75840G01 Tan 75840G03 White 75840G04 Gray 75840G05 Black	2
5	75841G01		Seat Back Plate	1
6	652243G03		Seat Back Support.....	2
7	16705G1		Truss Head Phillips Screw (SS), 1/4" - 20 x 1" Lg	4
8	00664G7		Spring Lock Washer, 1/4".....	8
9				
10	16705G1		Truss Head Phillips Screw (SS), 1/4" - 20 x 1" Lg	2
11	11027G2		Flanged Lock Nut, 1/4" - 20	2
12	00427G2		Hex Head Bolt, 3/8" - 16 x 1/4" Lg, Grade 5	2
13	00560G1		Flat Washer, 3/8".....	2
14	11098G5		Lock Nut, 3/8" - 16	2
15	642401		Seat Frame Weldment	1
16	***		Seat Bottom Assembly (Driver Side) (Includes Items 18, 21 - 28)..... 629269G0903 Tan 629269G0905 White 629269G0904 Gray 629269G0906 Black	1
17	***		Seat Bottom Assembly (Passenger Side) (Includes Items 19, 20, 23 - 28) 629269G0803 Tan 629269G0805 White 629269G0804 Gray 629269G0806 Black	1
18	***		Seat Bottom Cushion (Driver Side)..... 643996G01 Tan	1

SEATING

THE USE OF NON U.L. PARTS WILL VOID ANY U.L. LISTING.

When ordering parts, please specify the model and serial number of the product.

* Indicates a component that is not available as an individual part.

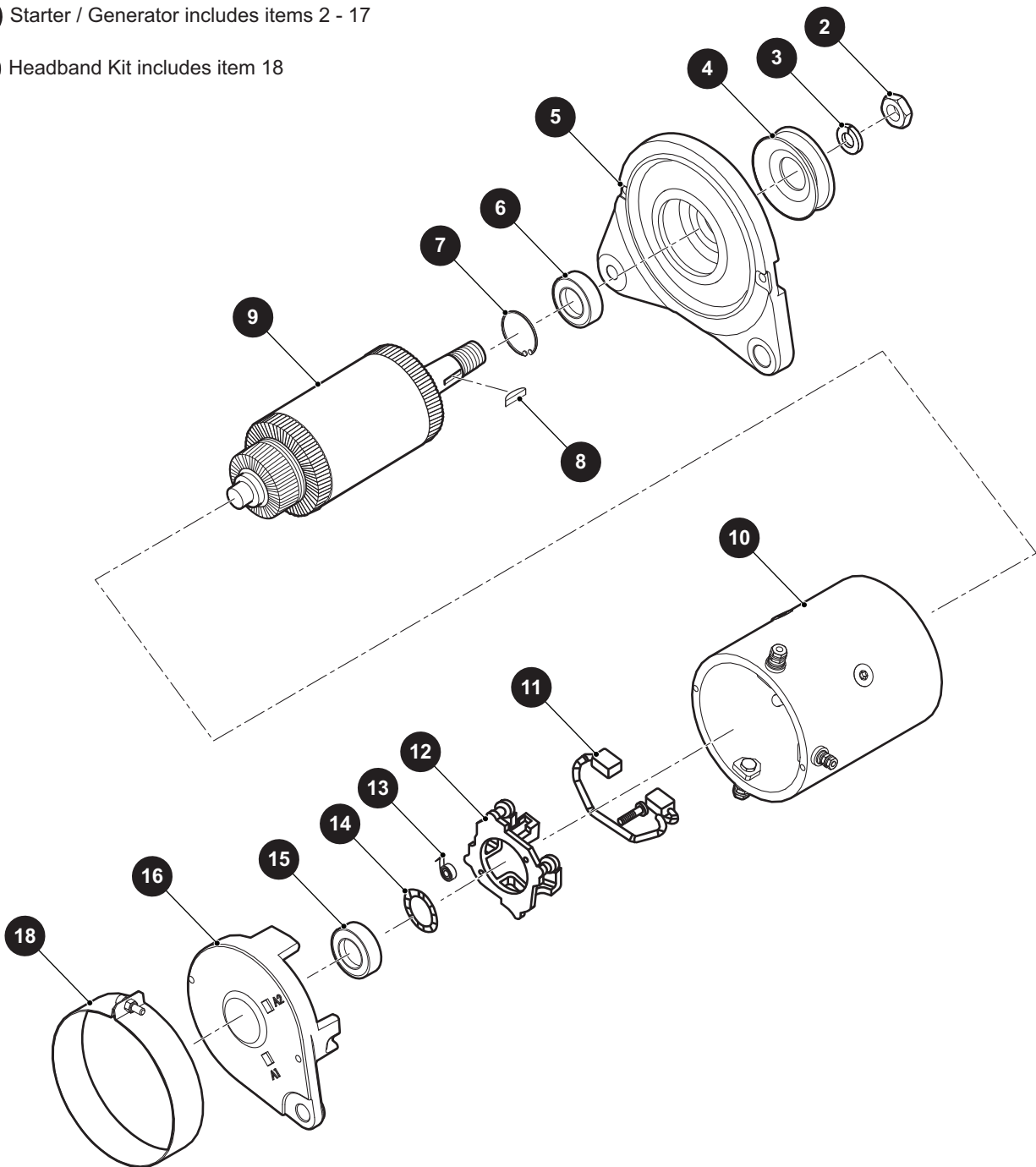
*** Indicates consult Customer Service Department for additional information.

ITEM	PART NO.	1	2	3	4	5	DESCRIPTION	QTY.
19	***						643996G03 White 643996G04 Gray 643996G05 Black Seat Bottom Cushion (Passenger Side)..... 643991G01 Tan 643991G03 White 643991G04 Gray 643991G05 Black	1
20	617644						Hip Restraint (Passenger Side).....	1
21	617645						Hip Restraint (Driver Side)	1
22								
23	75847G01						Seat Hinge.....	1
24	17074G1						Soiling Slab	2
25								
26								
27	16705G1						Truss Head Phillips Screw (SS), 1/4" - 20 x 1" LG	3
28	615417						Button Head Torx Bolt, M10 - 1.5 x 25mm Lg	4
29								
30	00114G6						Hex Washer Head Tapping Screw, 1/4" - 10 x 3/4" Lg	2
31	75848G01						Seat Bracket	1
32	10570G11						Rivet, 3/16"	8
33	620421						Plastic Deck Assembly (Includes Items 34 - 36).....	1
34	620420						Plastic Deck	1
35	75847G01						Seat Hinge.....	1
36	16705G2						Truss Head Phillips Screw (SS), 1/4" - 20 x 5/8" Lg.....	3

STARTER AND GENERATOR

1 Starter / Generator includes items 2 - 17

17 Headband Kit includes item 18



STARTER AND GENERATOR

THE USE OF NON U.L. PARTS WILL VOID ANY U.L. LISTING.

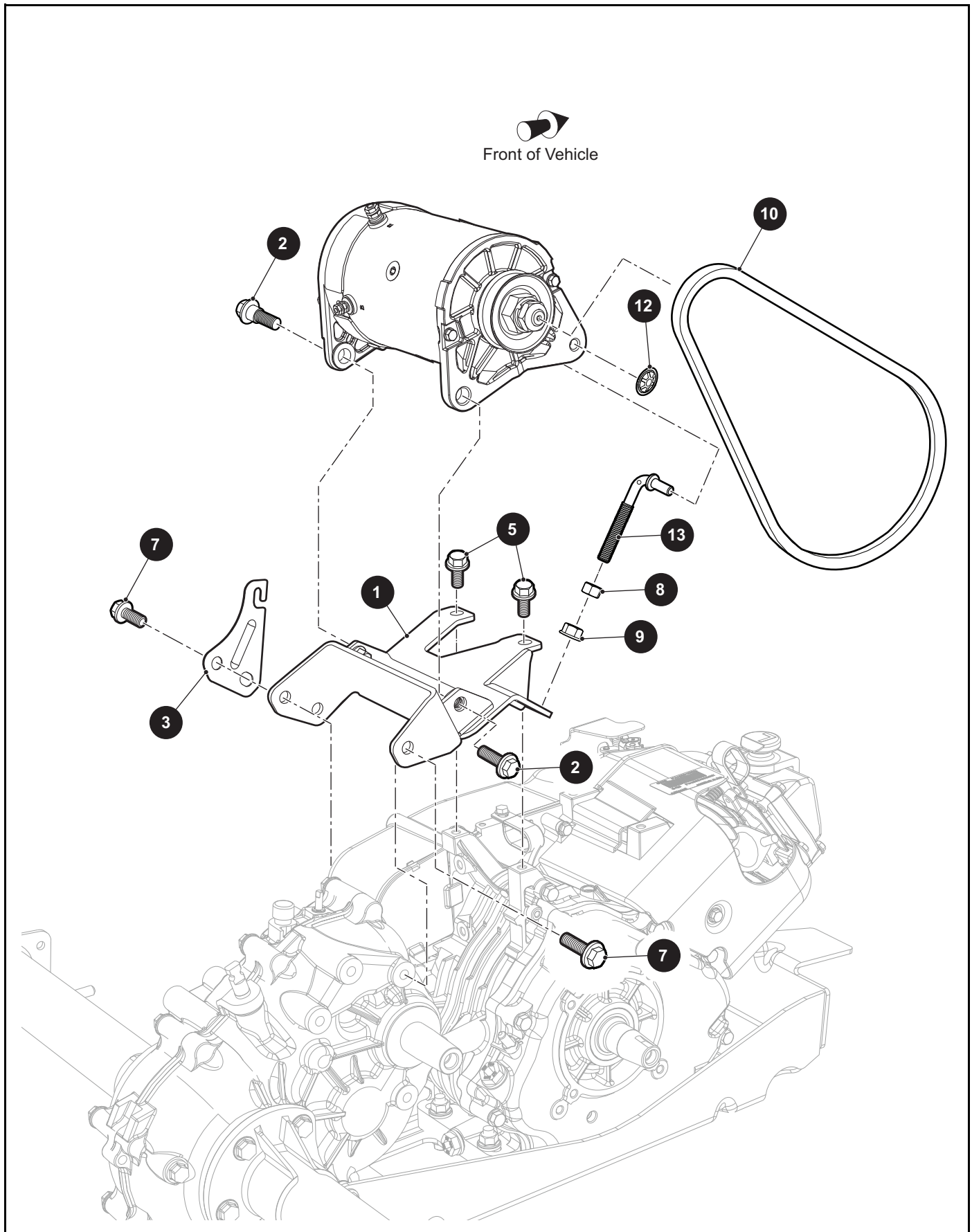
When ordering parts, please specify the model and serial number of the product.

* Indicates a component that is not available as an individual part.

*** Indicates consult Customer Service Department for additional information.

ITEM	PART NO.	1 2 3 4 5	DESCRIPTION	QTY.
1	660379		Starter / Generator (Includes Items 2 - 17)	1
2	612029		Hex Nut.....	1
3	612030		Lock Washer.....	1
4	625716		Pulley, 2.5" O.D.	1
5	654715		Drive End Head	1
6	612033		Bearing	1
7	612034		Retaining Ring	1
8	612035		Woodruff Key	1
9	612036		Armature Assembly	1
10	654716		Frame and Field Assembly	1
11	612038		Brush Lead and Terminal Package.....	1
12	654717		Brush Box Assembly.....	1
13	656659		Brush Spring.....	4
14	612043		Wavy Washer	1
15	612044		Bearing	1
16	612045		Commutator End Head.....	1
17	658172		Headband Kit (Includes Item 18)	1
18	654718		Headband.....	1

STARTER AND GENERATOR



STARTER AND GENERATOR

THE USE OF NON U.L. PARTS WILL VOID ANY U.L. LISTING.

When ordering parts, please specify the model and serial number of the product.

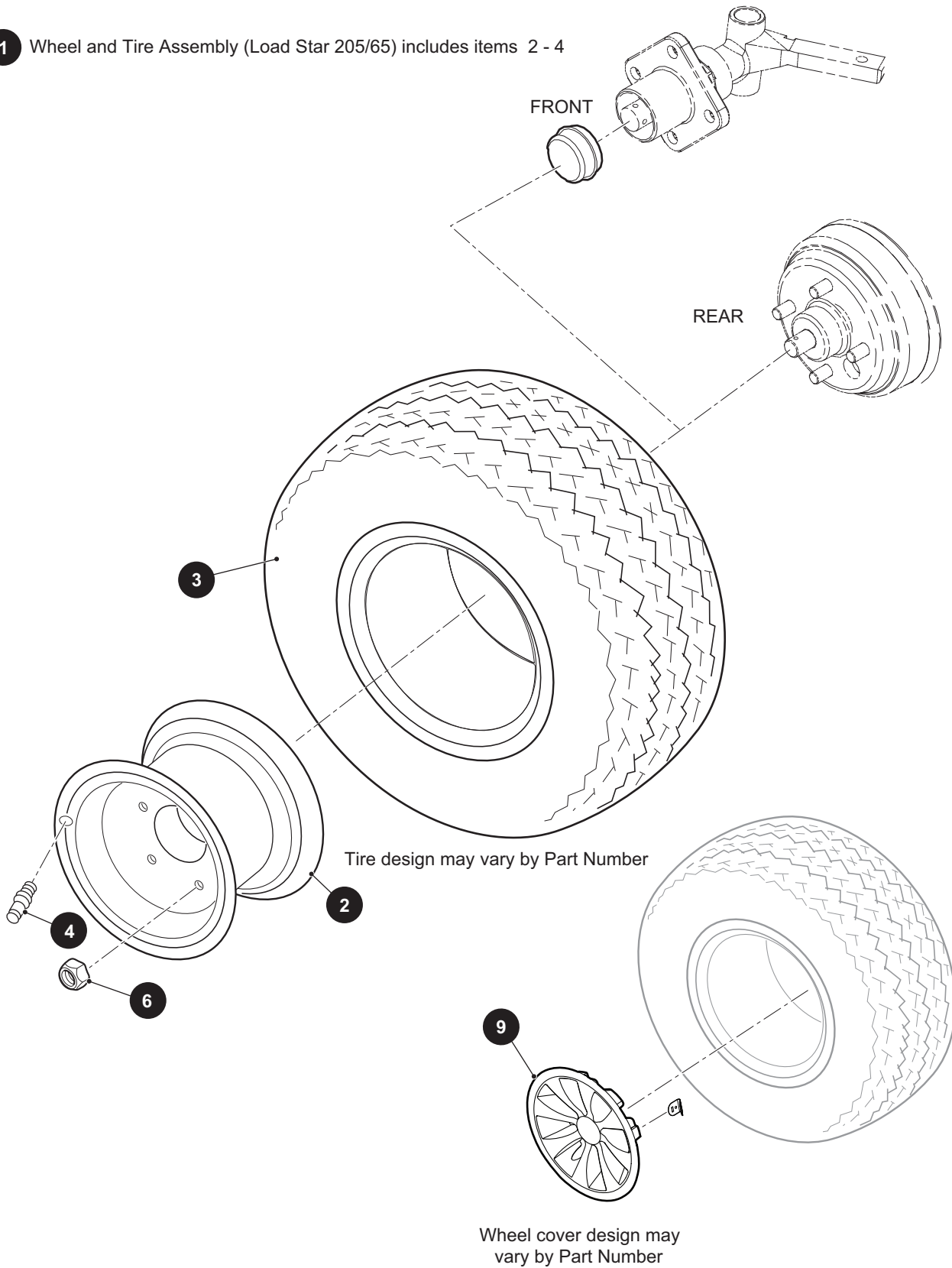
* Indicates a component that is not available as an individual part.

*** Indicates consult Customer Service Department for additional information.

ITEM	PART NO.	1 2 3 4 5	DESCRIPTION	QTY.
1	631972		Starter/Generator Support Bracket	1
2	606235		Flanged Hex Head Bolt, M10 - 1.25 x 20mm Lg.....	2
3	660001		Cable Guide Bracket.....	1
4				
5	606261		Flanged Hex Head Bolt, M8 - 1.25 x 20mm Lg, Grade 8.8.....	2
6				
7	606256		Flanged Hex Head Bolt, M10 - 1.25 x 25mm Lg, Grade 8.8.....	3
8	606255		Hex Jam Nut, M10 - 1.25	1
9	606274		Flanged Hex Nut, M10 - 1.25	1
10	630587		Starter/generator Belt.....	1
11				
12	12064G6		Push Nut, 5/16"	1
13	629763		Tensioner Bolt	1

WHEELS AND TIRES

1 Wheel and Tire Assembly (Load Star 205/65) includes items 2 - 4



WHEELS AND TIRES

THE USE OF NON U.L. PARTS WILL VOID ANY U.L. LISTING.

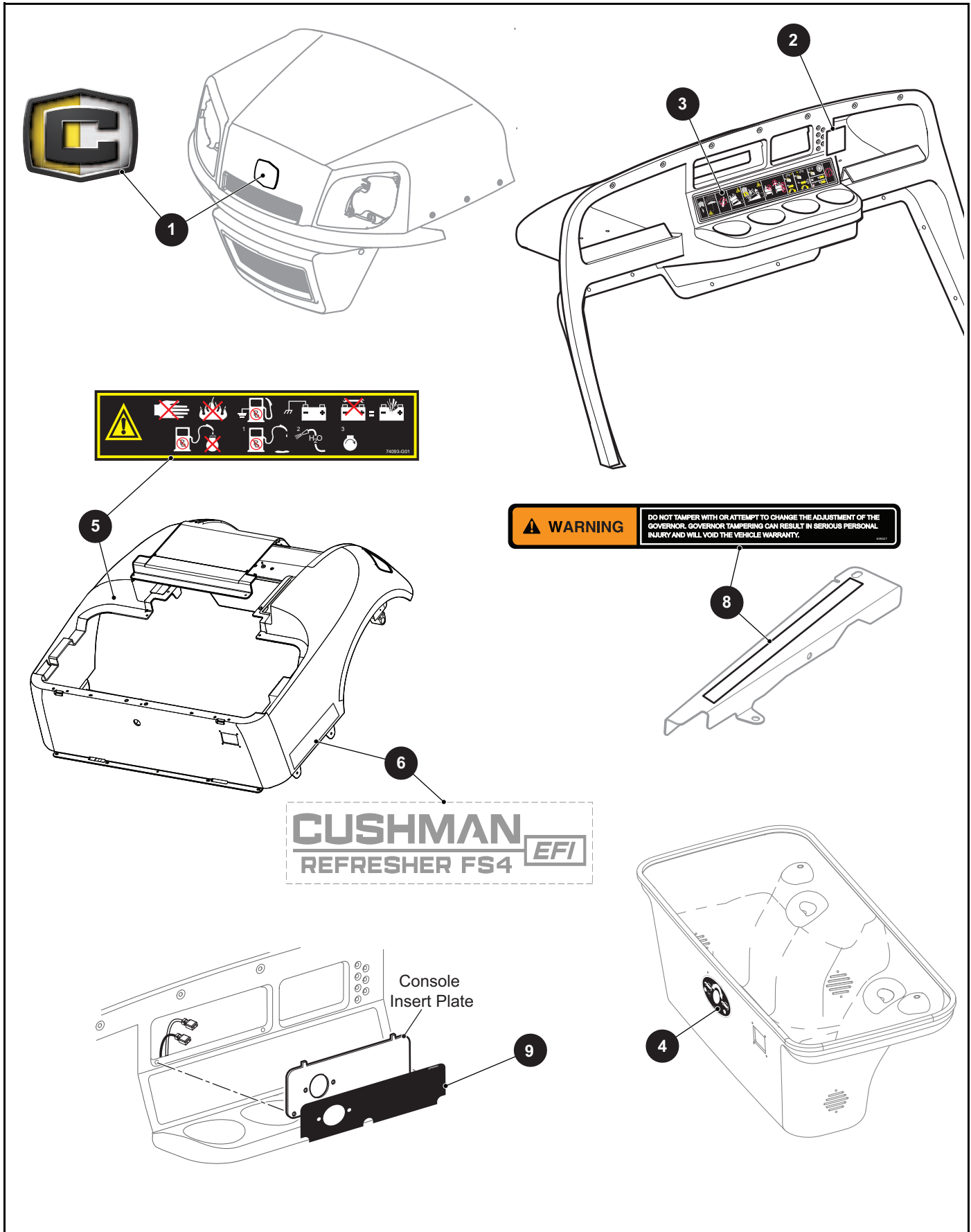
When ordering parts, please specify the model and serial number of the product.

* Indicates a component that is not available as an individual part.

*** Indicates consult Customer Service Department for additional information.

ITEM	PART NO.	1 2 3 4 5	DESCRIPTION	QTY.
1	643677		Wheel and Tire Assembly (Load Star 205/65) (Includes Items 2 - 4).....	1
2	643934		Wheel (Silver), 10" x 6"	1
3	630456		Tire (Kenda Load Star), 205/65 - 10	1
4	643948		Valve Stem.....	1
5				
6	14723G1		Lug Nut, 1/2" - 20	4
7				
8	12091G2		Spindle Cap.....	2
9	665151		Wheel Cover Assembly, (Silver).....	1

DECALS AND LABELS



DECALS AND LABELS

THE USE OF NON U.L. PARTS WILL VOID ANY U.L. LISTING.

When ordering parts, please specify the model and serial number of the product.

* Indicates a component that is not available as an individual part.

*** Indicates consult Customer Service Department for additional information.

ITEM	PART NO.	1 2 3 4 5	DESCRIPTION	QTY.
1	619135		Cushman Cowl Decal.....	1
2	35968G01		T - Holder Label	1
3	601781		Console Label	1
4	73317G01		Direction Selector Label	1
5	74093G01		Engine Warning Label.....	1
6	690522		Refresher FS4 Decal.....	1
7				
8	608527		Governor Warning Label	1
9	35966G03		Ball Holder Decal	1

DECALS AND LABELS

THE USE OF NON U.L. PARTS WILL VOID ANY U.L. LISTING.

When ordering parts, please specify the model and serial number of the product.

* Indicates a component that is not available as an individual part.

*** Indicates consult Customer Service Department for additional information.

ITEM	PART NO.	1 2 3 4 5	DESCRIPTION	QTY.
1	614121		Operator Warning Instructions Label (For CE Vehicles)	1
2	28203G01		Battery Warning Decal (For CE Vehicles)	1
3	608822		Governor (For CE Vehicles)	1
4	601783		CE Symbol (For CE Vehicles)	1



Textron Specialized Vehicles, Inc.,
1451 Marvin Griffin Road
Augusta, Georgia 30906 - 3852 USA

CONTACT INFORMATION

North America:

Technical Assistance & Warranty Phone: 1-800-774-3946, FAX: 1-800-448-8124
Service Parts Phone: 1-888-438-3946, FAX: 1-800-752-6175

International: Phone: 001-706-798-4311, FAX: 001-706-771-4609

Owner's Guides and Repair Manuals
are available from a local Distributor, an authorized Branch,
Parts & Accessories Department or at www.cushman.txtsv.com

Copyrighted Material
This manual may not be reproduced in whole or
in part without the express permission of
Textron Specialized Vehicles
Technical Publications Department