



**CUSHMAN™**

# **Gasoline Service Parts Manual**



**624954**

**ISSUED SEPTEMBER 2011**

**REVISED OCTOBER 2015**



# SERVICE PARTS MANUAL

## GASOLINE POWERED UTILITY VEHICLE

**REFRESHER 2000**

**STARTING MODEL YEAR 2012**

DISCLAIMER: The E-Z-GO Division of Textron Inc. (E-Z-GO) reserves the right to incorporate engineering and design changes to products in this Manual, without obligation to include these changes on units leased/sold previously.

The information contained in this Manual may be revised periodically E-Z-GO, and therefore is subject to change without notice.

E-Z-GO DISCLAIMS LIABILITY FOR ERRORS IN THIS MANUAL, and E-Z-GO SPECIFICALLY DISCLAIMS LIABILITY FOR INCIDENTAL AND CONSEQUENTIAL DAMAGES RESULTING FROM THE USE OF THE INFORMATION AND MATERIALS IN THIS MANUAL.

### **TO CONTACT US**

#### **NORTH AMERICA:**

**TECHNICAL ASSISTANCE & WARRANTY PHONE: 1-800-774-3946, FAX: 1-800-448-8124**

**SERVICE PARTS PHONE: 1-888-GET-EZGO (1-888-438-3946), FAX: 1-800-752-6175**

**INTERNATIONAL: PHONE: 001-706-798-4311, FAX: 001-706-771-4609**

**E-Z-GO DIVISION OF TEXTRON INC., 1451 MARVIN GRIFFIN RD., AUGUSTA, GEORGIA USA 30906-3852**

## GENERAL INFORMATION

To obtain a copy of the limited warranty applicable to the vehicle, call or write a local Distributor, authorized Branch or the Warranty Department with vehicle serial number and manufacturer code.

The use of non Original Equipment Manufacturer (OEM) parts may void the warranty.

Overfilling of batteries may void the warranty.

### BATTERY PROLONGED STORAGE

All batteries will self discharge over time. The rate of self discharge varies depending on the ambient temperature and the age and condition of the batteries.

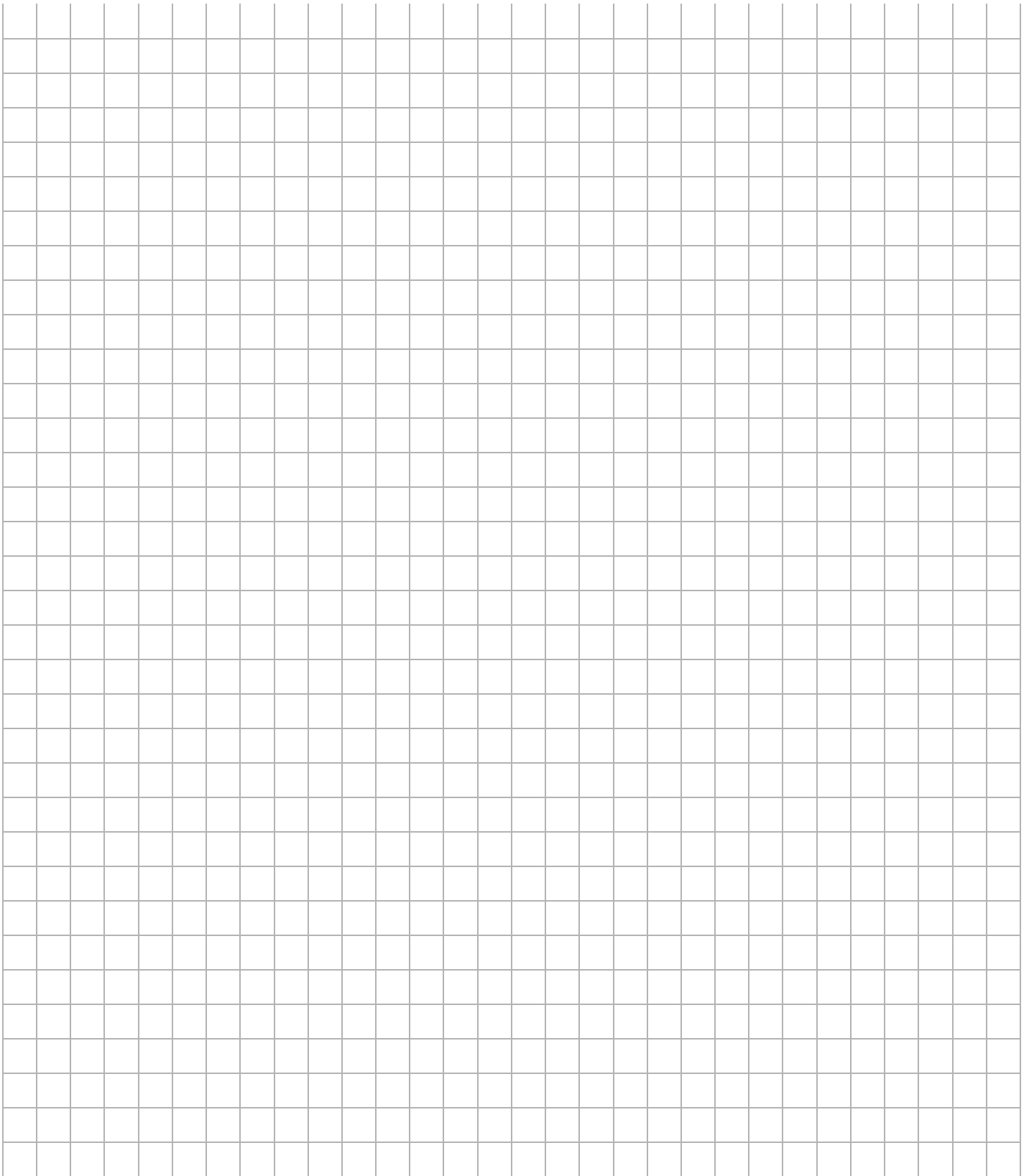
A fully charged battery will not freeze in winter temperatures unless the temperature falls below  $-75^{\circ}\text{F}$  ( $-60^{\circ}\text{C}$ ).

As with all electric vehicles, the batteries must be checked and recharged as required or at a minimum of 30 day intervals.

# TABLE OF CONTENTS

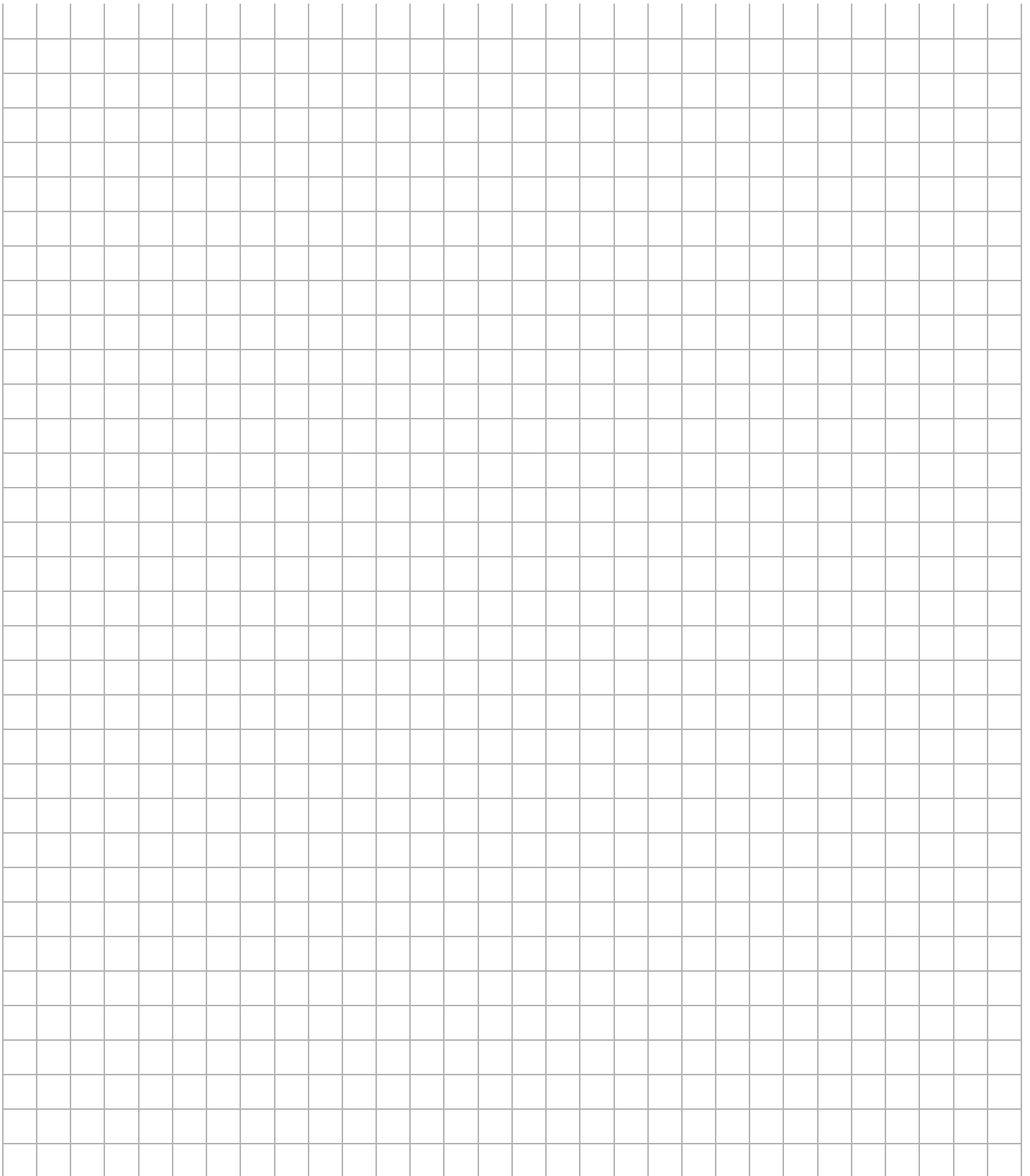
<b>SECTION</b>	<b>Page No.</b>
HOW TO USE THE SERVICE PARTS MANUAL .....	Vii
ACCELERATOR .....	A - 1
AIR FILTER .....	B - 1
BODY .....	C - 1
BRAKES .....	D - 1
CARBURETOR AND CHOKE .....	E - 1
CLUTCH .....	G - 1
DIRECTION SELECTOR .....	H - 1
ELECTRICAL SYSTEM .....	J - 1
ENGINE MUFFLER .....	K - 1
ENGINE MOUNTING .....	L - 1
FUEL SYSTEM .....	M - 1
FRONT SUSPENSION AND STEERING .....	N - 1
PARKING BRAKE .....	P - 1
REAR AXLE .....	Q - 1
REAR SUSPENSION .....	R - 1
REFRESHER UNIT .....	S - 1
STARTER GENERATOR .....	U - 1
SEATING .....	V - 1
WHEELS AND TIRES .....	X - 1

# NOTES





# NOTES





# HOW TO USE THE SERVICE PARTS MANUAL

This manual is divided into several sections:

- GENERAL INFORMATION
- ILLUSTRATED PARTS BREAKDOWN
- APPENDIX

The first section, GENERAL INFORMATION, contains the following information:

- WARRANTY INFORMATION
- GENERAL INDEX
- HOW TO USE THE SERVICE PARTS MANUAL

The second section, ILLUSTRATED PARTS BREAKDOWN, contains illustrations and parts lists for all systems of your vehicle.

The third section, APPENDIX, contains a listing of specialty products and accessories.

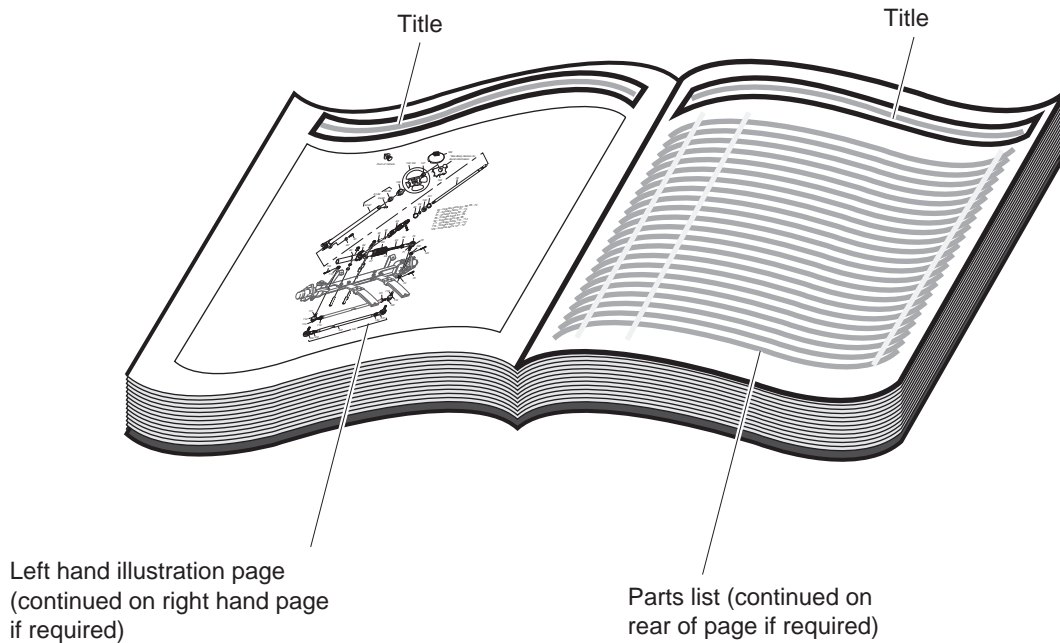
## USE OF THE MANUAL

To use this manual, consult the GENERAL INDEX to locate the information or illustration required.

Introduction of some revisions varies due to supply of components; therefore, it is possible that various combinations of components may be found that are not directly reflected by each illustration. Consult the illustration that best suits your situation and then contact the Service Parts Department. It is important that the serial number of your vehicle and its model number be supplied to Service Parts when ordering any replacement components.

Locate the serial number plate (see BODY located in the Illustrated Parts Breakdown section of this manual for its location) and note the complete number shown on the plate.

# HOW TO USE THE SERVICE PARTS MANUAL



## 1. WHEN THE PART NUMBER IS NOT KNOWN

- Determine the function and application of the part required. Turn to the General Index and select the most appropriate title.
- Turn to the page number indicated and locate the desired part on the illustration.
- From the illustration, obtain the item number assigned to the desired part. Refer to the accompanying description for specific information regarding the part.

## 2. IF YOU KNOW THE PART NUMBER

- Locate the part number or description in the appropriate column on the parts list page.

NOTE: It is suggested that you confirm that the part selected is correct by verifying it with the pictorial representation on the illustrated page.

Should an asterisk (\*) appear in the part number column on the parts list page, read upwards until a part number is found. The part number is the lowest assembly sold by Service Parts and the asterisk (\*) indicates that the part depicted is not available for purchase.

NOTE: Descriptions are indented under the assembly that they are used on. That assembly is, in turn listed under the assembly that it is used on. This process is repeated until the highest final assembly is reached.

**To facilitate the maintenance and repair of the vehicle, a Technician's Repair and Service Manual is available from the Service Parts Department.**

# HOW TO USE THE SERVICE PARTS MANUAL

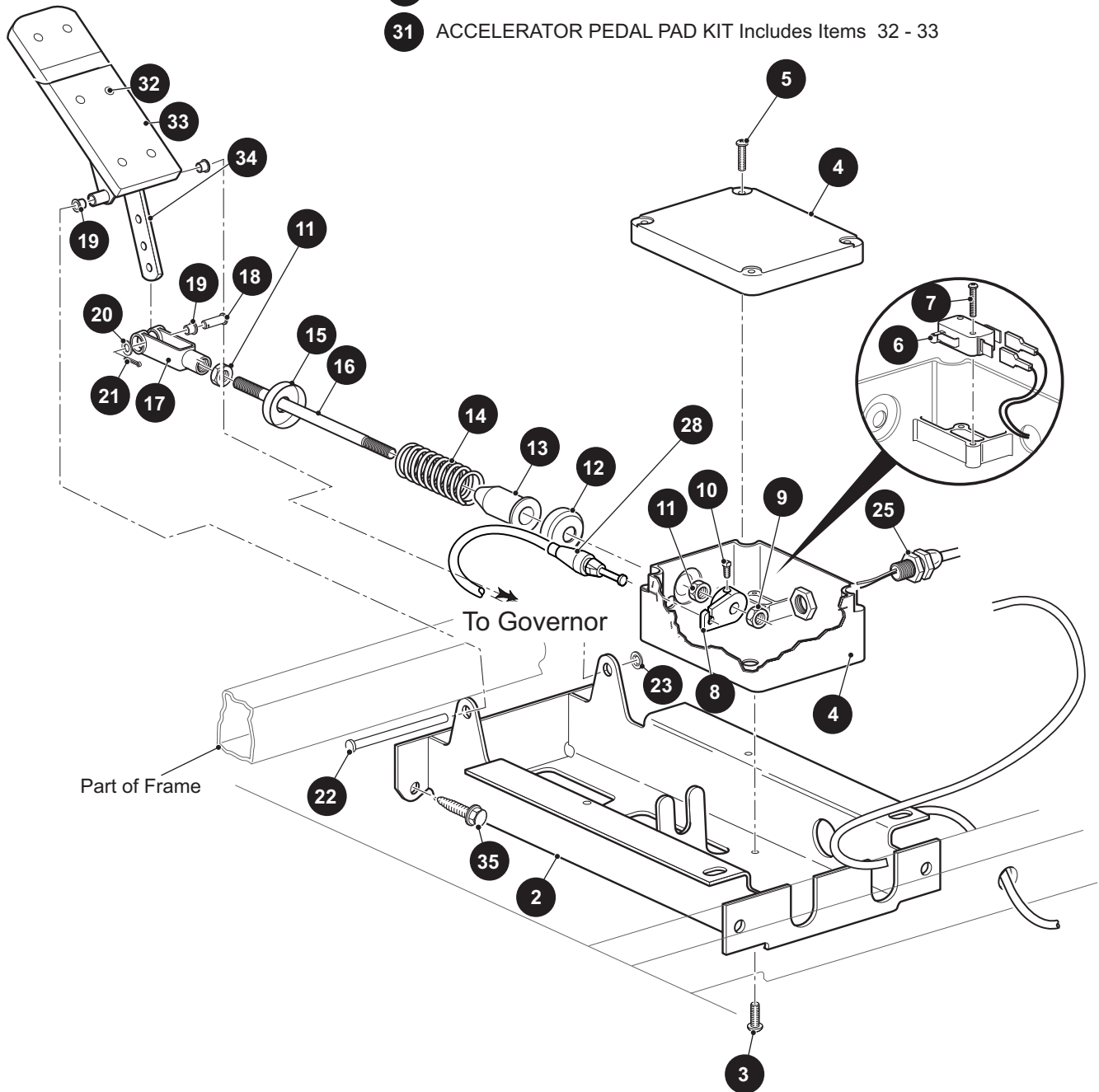
## 3. COLOR CODE FOR BODY COMPONENTS

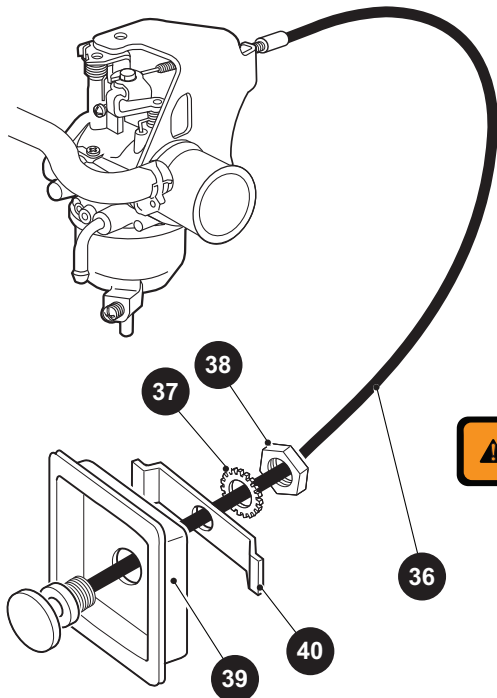
The last two digits of the part number for the body part will denote the color code, locate the part number for the cowl, rear body, seat pod, side panel or seat wrap then locate your color in the list below, replace the last \*\* or XX with the two digit color code.

<u>CODE #</u>	<u>DESCRIPTION</u>	<u>CODE #</u>	<u>DESCRIPTION</u>
01	NO PAINT	53	MOSSY OAK NEW BREAK UP - DIPPED
02	SPECIAL COLOR	54	MOSSY OAK OBSESSION - DIPPED
05	JACOBSEN ORANGE	55	REALTREE ADVANTAGE MAX 4 - DIPPED
06	LIGHT GOLD PEARL	56	REALTREE HARDWOOD BROWN - DIPPED
07	SILVER PEARL METALIC	57	REALTREE AP HOT PINK - DIPPED
11	BLACK	58	BLACK / SILVER MARBLE - DIPPED
12	EMERALD GREEN PEARL	59	RED / SILVER MARBLE - DIPPED
13	CLOUD GRAY	60	HOT PINK / SILVER MARBLE - DIPPED
14	VIPER BLUE METALLIC	61	REALTREE AP
19	PATRIOT BLUE PEARL	62	REALTREE MAX 4
20	INFERNO RED METALLIC	63	MOSSY OAK BREAKUP
23	ADVANTAGE CLASSIC CAMO	64	MOSSY OAK TREESTAND
24	NATURAL	65	REALTREE APG
25	VIVID NEW HOLLAND BLUE	66	REALTREE MAX 1
26	STEEL BLUE PEARL	67	REALTREE AP PINK
27	BRIGHT SILVER METALLIC	68	REALTREE AP - DIPPED
29	PRIMER ONLY		
30	HD ADVANTAGE CAMO		
31	METALLIC CHARCOAL		
32	LIGHT ALMOND PEARL		
33	TIMBERLINE GREEN		
34	DEEP MOLTEN RED		
35	SAFETY YELLOW		
36	IVORY		
37	FOREST GREEN		
38	BRIGHT WHITE		
39	FLAME RED		
40	BLACK		
41	ELECTRIC BLUE		
42	PLATINUM		
43	BURGUNDY		
44	ALMOND		
45	BLACK		
46	FLAME RED		
47	BURLINGTON GREEN		
48	BLACK		
49	FLAME RED		
50	RECON GREEN		
51	SUNBURST ORANGE		
52	BRITISH RACING GREEN		

# ACCELERATOR

- 1 PEDAL BOX ASSEMBLY Includes Items 2 - 30
- 30 ACCELERATOR PEDAL ASSEMBLY Includes Items 31 - 34
- 31 ACCELERATOR PEDAL PAD KIT Includes Items 32 - 33

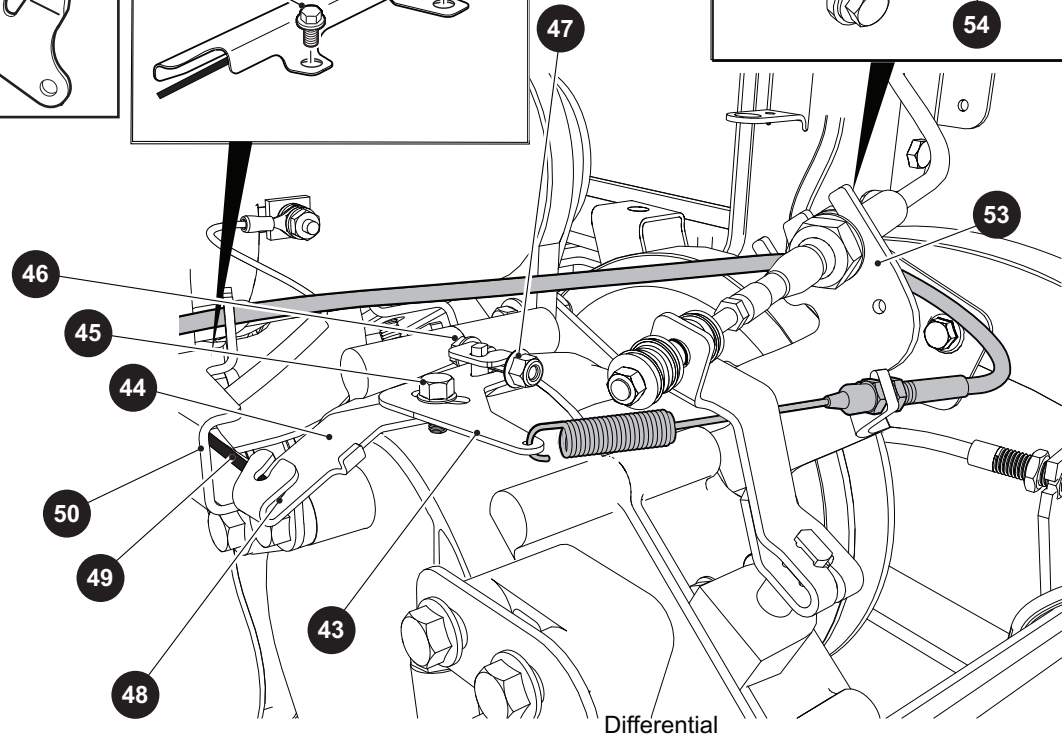
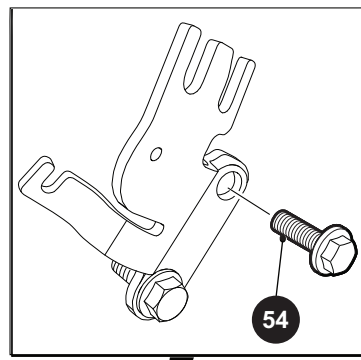
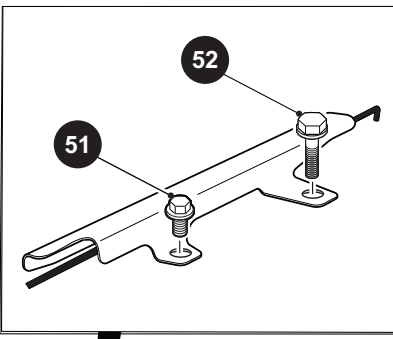
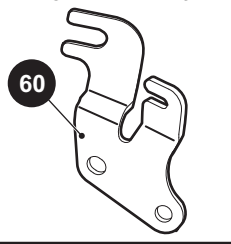




**WARNING** DO NOT TAMPER WITH OR ATTEMPT TO CHANGE THE ADJUSTMENT OF THE GOVERNOR. GOVERNOR TAMPERING CAN RESULT IN SERIOUS PERSONAL INJURY AND WILL VOID THE VEHICLE WARRANTY.

56

FOR VEHICLES  
MANUFACTURED  
FROM APRIL 2014



Differential

# ACCELERATOR

When ordering parts, please specify the model and serial number of the product.

\* Indicates a component that is not available as an individual part.

\*\*\* Indicates consult Customer Service Department for additional information.

ITEM	PART NO.	1 2 3 4 5	DESCRIPTION	QTY.
1	606992		PEDAL BOX ASSEMBLY (INCLUDES ITEMS 2 - 30) .....	1
2	70116G02		ACCELERATOR PEDAL BRACKET .....	1
3	01051G01		SCREW, #8 - 16 X 1/2" LG .....	4
4	25853G03		PEDAL BOX AND COVER .....	1
5	00684G6		SCREW, #8 - 32 X 3/4" LG (SS) .....	2
6	25861G01		MICRO SWITCH .....	1
7	01050G01		SCREW, #8 - 15 X 1/2" LG .....	2
8	72716G01		MICRO SWITCH CAM .....	1
9	15126G1		LOCK NUT, 5/16 - 24 .....	1
10	00487G3		SETSCREW, 1/4 - 20 X 3/8" LG .....	1
11	00532G4		NUT, 5/16 - 24 .....	2
12	17677G1		SPRING RETAINER .....	1
13	17979G1		ACCELERATOR ROD BUSHING .....	1
14	73046G01		COMPRESSION SPRING .....	1
15	17677G2		SPRING RETAINER .....	1
16	72072G01		ACCELERATOR ROD .....	1
17	10385G4		CLEVIS YOKE (ADJUSTABLE) .....	1
18	10386G3		CLEVIS PIN, 5/16" X 13/16" LG .....	1
19	17838G1		NYLON BUSHING .....	3
20	17255G1		TEFLON WASHER, 5/16" .....	1
21	10387G3		COTTER PIN, 3/32" X 3/4" LG .....	1
22	74432G01		PEDAL PIVOT PIN .....	1
23	12064G6		PUSH NUT, 9/32" .....	1
24				
25	72201G04		WIRE HARNESS (PEDAL BOX) .....	1
26				
27				
28	608618		ACCELERATOR CABLE .....	1
29				
30	25799G03		ACCELERATOR PEDAL ASSEMBLY (INCLUDES ITEMS 31, 34) .....	1
31	27844G01		ACCELERATOR PEDAL PAD KIT (INCLUDES ITEMS 32- 33) .....	1

# ACCELERATOR

When ordering parts, please specify the model and serial number of the product.

\* Indicates a component that is not available as an individual part.

\*\*\* Indicates consult Customer Service Department for additional information.

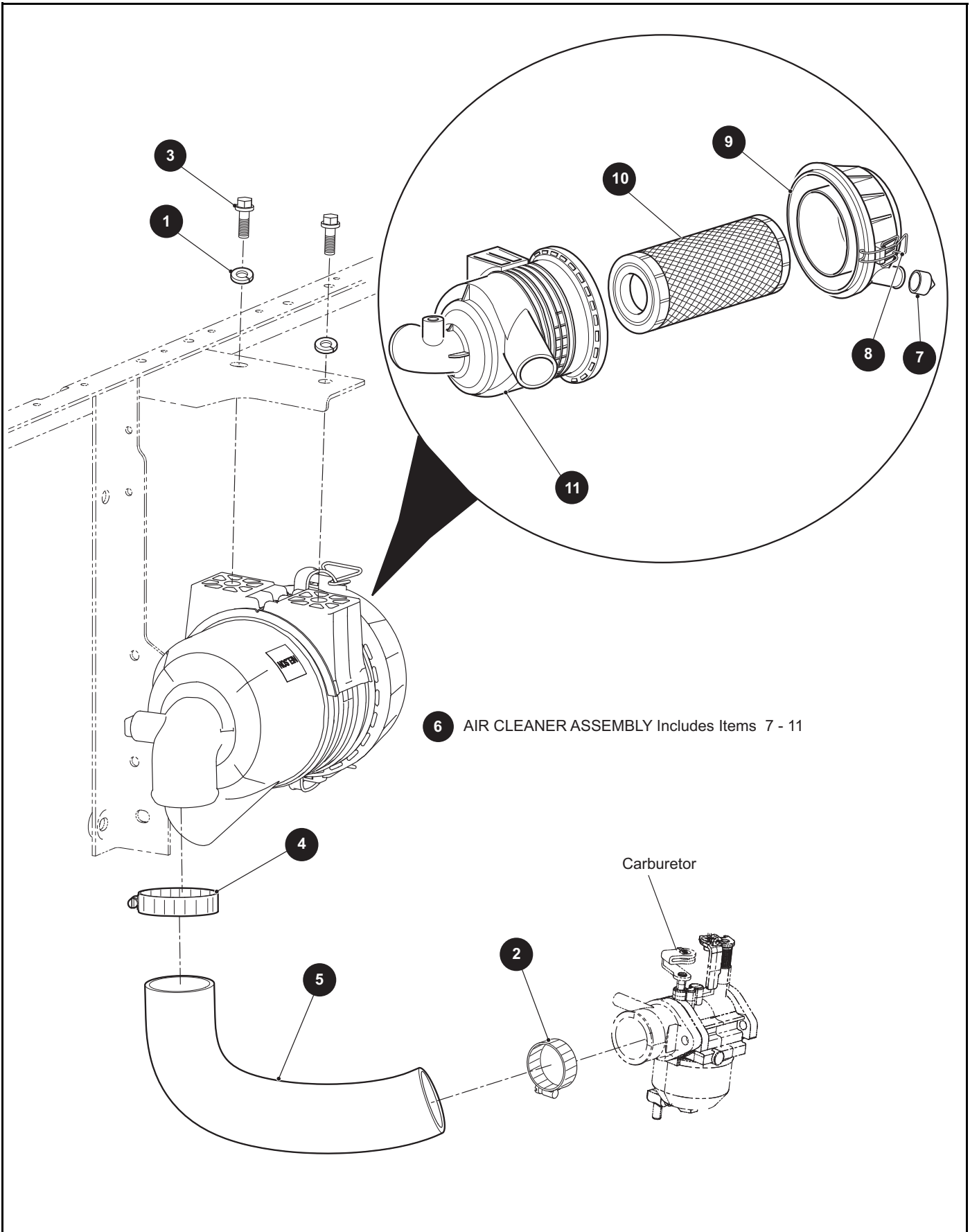
ITEM	PART NO.	1 2 3 4 5	DESCRIPTION	QTY.
32	16409G1		OVAL RIVET, 3/16" X 7/16" LG .....	6
33	27512G01		ACCELERATOR PEDAL PAD .....	1
34	*		ACCELERATOR PEDAL.....	1
35	00715G2		BOLT, 5/16 -18 X 4/5" LG.....	4
36	605793		CHOKE CABLE ASSY .....	1
37	00568G4		LOCK WASHER, 9/16" .....	1
38	00545G4		JAM NUT, 9/16 - 18.....	1
39	72154G01		CHOKE CABLE ADAPTER.....	1
40	72155G02		RETAINER .....	1
41				
42				
43	606083		UPPER GOVERNOR BRACKET.....	1
44	606005		LOWER GOVERNOR BRACKET .....	1
45	606265		BOLT, M6 - 1 X 12.....	1
46	606421		BOLT, M6 - 1 X 30.....	1
47	450452		NUT, M6 - 1.0.....	1
48	606283		GOVERNOR LEVER BUSHING .....	1
49	606284		GOVERNOR ROD .....	1
50	603890		GOVERNOR ROD GUARD .....	1
51	606264		BOLT, M6 - 1 X 20.....	1
52	606262		BOLT, M8 - 1.25 X 16.....	1
53	606074		GOVERNOR CABLE / DIRECTION SELECTOR BRACKET .....	1
54	606256		BOLT, M10 - 1.25 X 16.....	2
55				
56	608527		GOVERNOR WARNING DECAL.....	1
57				
58				
59	17618G1		NYLON CLAMP .....	2
60	632936		GOVERNOR CABLE / DIRECTION SELECTOR BRACKET (FOR VEHICLES MANUFACTURED FROM APRIL 2014) .....	1







# AIR FILTER



6 AIR CLEANER ASSEMBLY Includes Items 7 - 11

# AIR FILTER

When ordering parts, please specify the model and serial number of the product.

\* Indicates a component that is not available as an individual part.

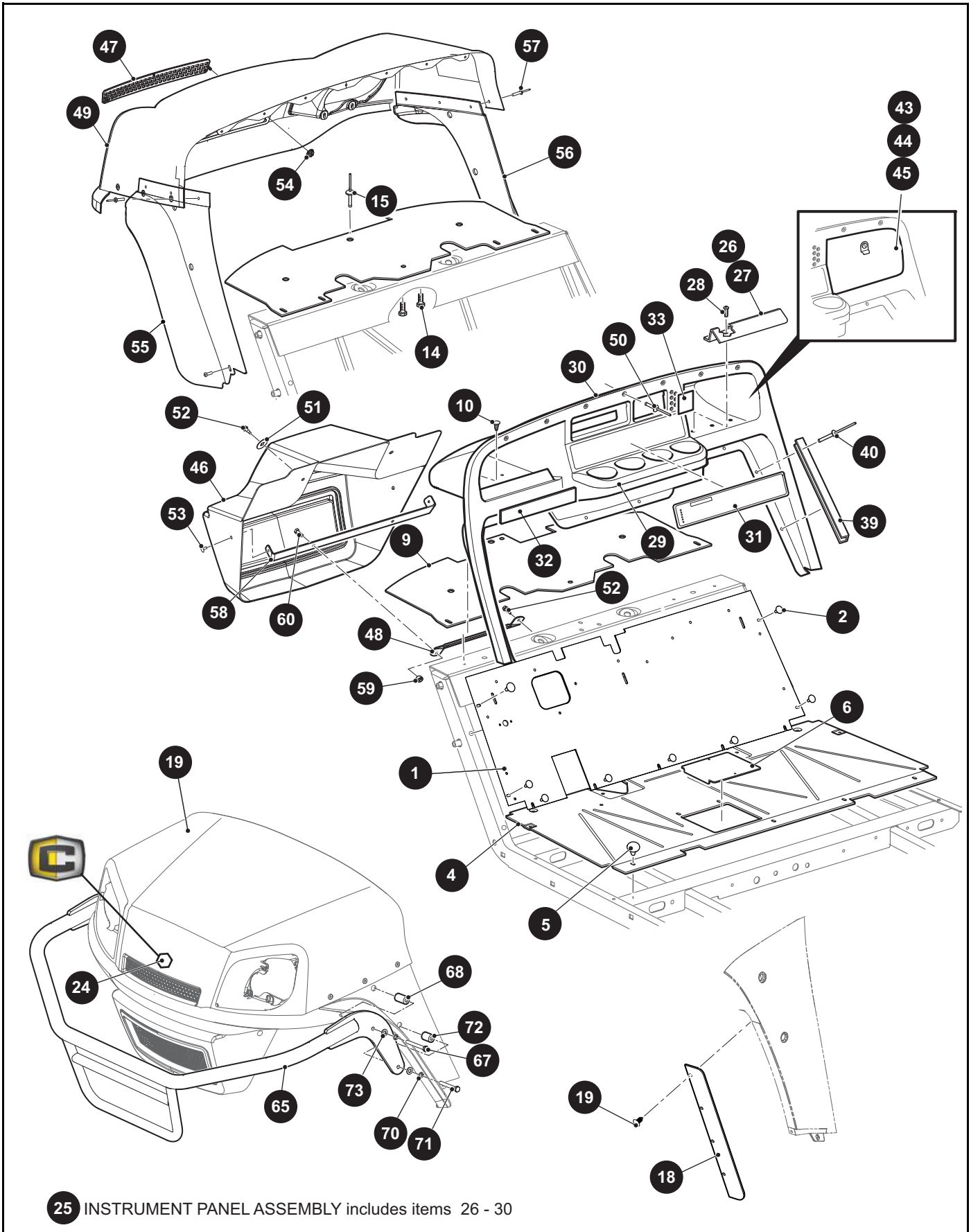
\*\*\* Indicates consult Customer Service Department for additional information.

ITEM	PART NO.	1 2 3 4 5	DESCRIPTION	QTY.
1	606272		SPLIT WASHER, 8 MM .....	2
2	11391G1		HOSE CLAMP, 1.31 .....	1
3	606261		HEX HEAD BOLT M8, 25 X 20 .....	2
4	11391G7		HOSE CLAMP, 1.56 .....	1
5	607950		AIR FILTER HOSE .....	1
6	614852		AIR CLEANER ASSEMBLY (INCLUDES ITEMS 7 - 11) .....	1
7	28462G01		DUST EJECTOR VALVE .....	1
8	72604G01		AIR CLEANER CLIP .....	2
9	72599G01		AIR CLEANER COVER .....	1
10	28463G01		AIR FILTER ELEMENT .....	1
11	615390		AIR CLEANER .....	1





# BODY



25 INSTRUMENT PANEL ASSEMBLY includes items 26 - 30

When ordering parts, please specify the model and serial number of the product.

\* Indicates a component that is not available as an individual part.

\*\*\* Indicates consult Customer Service Department for additional information.

ITEM	PART NO.	1 2 3 4 5	DESCRIPTION	QTY.
1	637534		UPPER FLOORPAN .....	1
2	14601G11		RIVET (ALUMINUM), 3/16" X 9/16" .....	9
3				
4	70451G01		LOWER FLOORPAN .....	1
5	14601G11		RIVET (ALUMINUM), 3/16" X 9/16" .....	7
6	70452G01		ACCESS COVER.....	1
7				
8				
9	71413G01		SPLASH PANEL .....	1
10	16816G2		RATCHET FASTENER, 1/4" X 3/4" LG.....	4
11				
12				
13				
14	71102G02		HEX HEAD CAP SCREW, 1/4" - 20 X 1/2" LG .....	3
15	71055G01		RIVET (ALUMINUM), 3/16" X 1 1/8" .....	1
16				
17				
18	600776G01		FENDER FLARE.....	2
19	16816G2		RATCHET RIVET, .25" X .88" .....	8
20				
21				
22				
23				
24	619135		CUSHMAN COWL DECAL .....	1
25	71151G01		INSTRUMENT PANEL ASSEMBLY (INCLUDES ITEMS 26 - 30) .....	1
26	71153G01		DEFLECTOR (PASSENGER SIDE) .....	1
27	71154G01		DEFLECTOR (DRIVER SIDE).....	1
28	00614G5		PAN HEAD PHILLIPS SCREW, #8 - 18 X 5/8" LG .....	4
29	71158G01		INSTRUMENT PANEL INSERT (FOUR CUP) .....	1
30	71152G01		INSTRUMENT PANEL.....	1
31	601781		LABEL (SAFETY).....	1

# BODY

When ordering parts, please specify the model and serial number of the product.

\* Indicates a component that is not available as an individual part.

\*\*\* Indicates consult Customer Service Department for additional information.

ITEM	PART NO.	1 2 3 4 5	DESCRIPTION	QTY.
32	74443G01		LABEL (ANTI-ROLLBACK) .....	1
33	35968G01		LABEL (T-HOLDER COVER) .....	1
34				
35				
36				
37				
38				
39	71115G01		VINYL TRIM .....	2
40	71055G01		RIVET (ALUMINUM), 3/16" X 1" .....	10
41				
42				
43	75456G01		GLOVE BOX DOOR (BOTH SIDES).....	1
44	75456G02		GLOVE BOX DOOR (DRIVER SIDE) .....	1
45	75456G03		GLOVE BOX DOOR (PASSENGER SIDE).....	1
46	613273		FRONT FASCIA .....	1
47	617643		COWL GRILL COVER.....	1
48	70725G02		FRONT SHIELD BRACE .....	2
49	613036GXXX		COWL (SEE COLOR CODE IN HOW TO USE SECTION OF MANUAL) .....	1
50	71055G01		RIVET (ALUMINUM), 3/16" X 1" .....	7
51	16469G1		FENDER WASHER .....	2
52	01038G01		SWAGEFORM SCREW, 1/4" - 20 X 11/16" .....	4
53	15058G1		RIVET (ALUMINUM), 3/16" X 7/16" X 5/8" .....	2
54	71597G01		SELF THREADING NUT, 5 MM X 10 MM X 15 MM.....	2
55	614378		FENDER FLARE (DRIVER SIDE).....	1
56	613274		FENDER FLARE (PASSENGER SIDE) .....	1
57	71055G01		RIVET (ALUMINUM), 3/16" X 1" .....	6
58	618653		FASCIA BRACKET .....	1
59	14390G4		LOCK NUT, 1/4" - 20 .....	4
60	00414G6		HEX HEAD BOLT, 1/4" - 20 X 3/4" LG.....	2
61				
62				



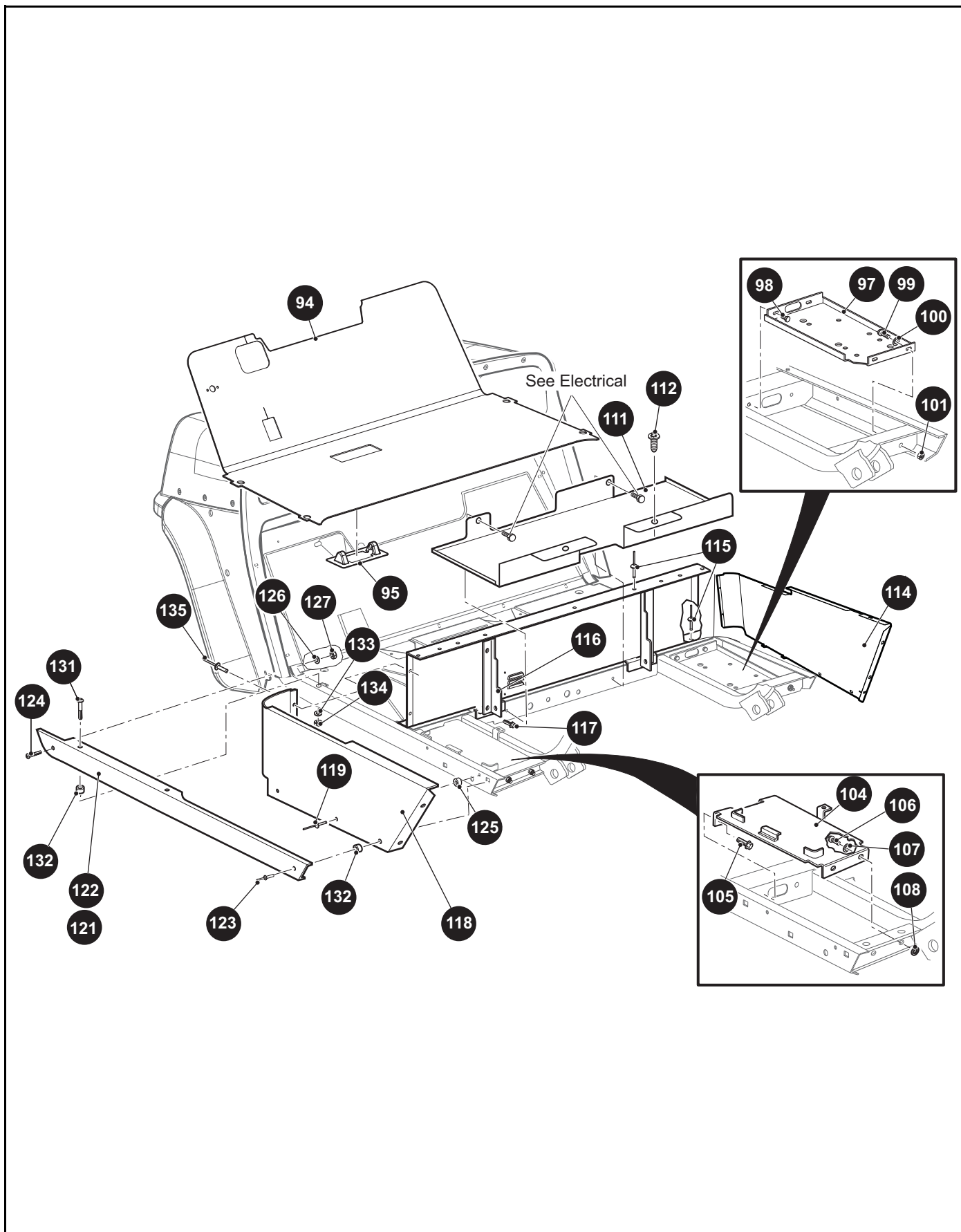
When ordering parts, please specify the model and serial number of the product.

\* Indicates a component that is not available as an individual part.

\*\*\* Indicates consult Customer Service Department for additional information.

ITEM	PART NO.	1 2 3 4 5	DESCRIPTION	QTY.
63				
64				
65	617620		BRUSHGUARD.....	1
66				
67	00440G6		HEX HEAD BOLT, 5/16" - 18 X 2 3/4" LG .....	2
68	75048G02		SPACER, 1" .....	2
69				
70	00565G8		LOCK WASHER, 5/16" .....	4
71	00440G2		HEX HEAD BOLT, 5/16" - 18 X 2 1/4" LG .....	4
72	75048G04		SPACER, 1" .....	2
73	00559G8		FLAT WASHER, 5/16".....	4
74				
75				
76				
77				
78				
79				
80				
81				
82				
83				
84				
85				
86				
87				
88				
89				
90				
91				
92				
93				

# BODY



When ordering parts, please specify the model and serial number of the product.

\* Indicates a component that is not available as an individual part.

\*\*\* Indicates consult Customer Service Department for additional information.

ITEM	PART NO.	1 2 3 4 5	DESCRIPTION	QTY.
94	70663G06		FLOORMAT WITH HORN HOLES, DIAMOND PLATE .....	1
95	70135G01		PEDAL PIVOT COVER.....	1
96				
97	70244G03		SPLASH PANEL .....	1
98	00715G2		HEX HEAD BOLT, 5/16" - 18 X 4/5" LG .....	4
99	00438G8		HEX HEAD BOLT, 5/16" - 18 X 1" LG .....	2
100	00559G8		FLAT WASHER, 5/16".....	2
101	11098G6		LOCK NUT (SS), 5/16" - 18 .....	2
102				
103				
104	600496		BATTERY TRAY.....	1
105	00715G2		HEX HEAD BOLT, 5/16" - 18 X 4/5" LG .....	AR
106	00438G6		HEX HEAD BOLT, 5/16" - 18 X 3/4" LG .....	3
107	00571G2		FLAT WASHER, 5/16".....	1
108	00565G8		LOCK WASHER, 5/16" .....	1
109				
110				
111	70629G01		SPLASH PANEL .....	1
112	00106G6		PAN HEAD PHILLIPS SCREW, #12 - 24 X 3/4" LG .....	2
113				
114	602029GXX		SIDE PANEL (PASSENGER SIDE) .....	1
115	10570G10		RIVET (SS), 5/30" X 9/16" .....	7
116	609842GXX		SEAT PANEL .....	1
117	00715G2		FLANGED HEX HEAD BOLT, 5/16" - 18 X 4/5" LG .....	2
118	602037GXX		SIDE PANEL (DRIVER SIDE).....	1
119	10570G12		RIVET (ALUMINUM), 1/4" X 9/16" .....	2
120				
121	619094		ROCKER PANEL (DRIVER SIDE) .....	1
122	619095		ROCKER PANEL (PASSENGER SIDE) .....	1
123	15058G6		RIVET (ALUMINUM), 3/16" X 7/16" .....	2
124	00789G2		TRUSS HEAD PHILLIPS SCREW, #10 - 24 X 1 1/4" LG .....	2

# BODY

When ordering parts, please specify the model and serial number of the product.

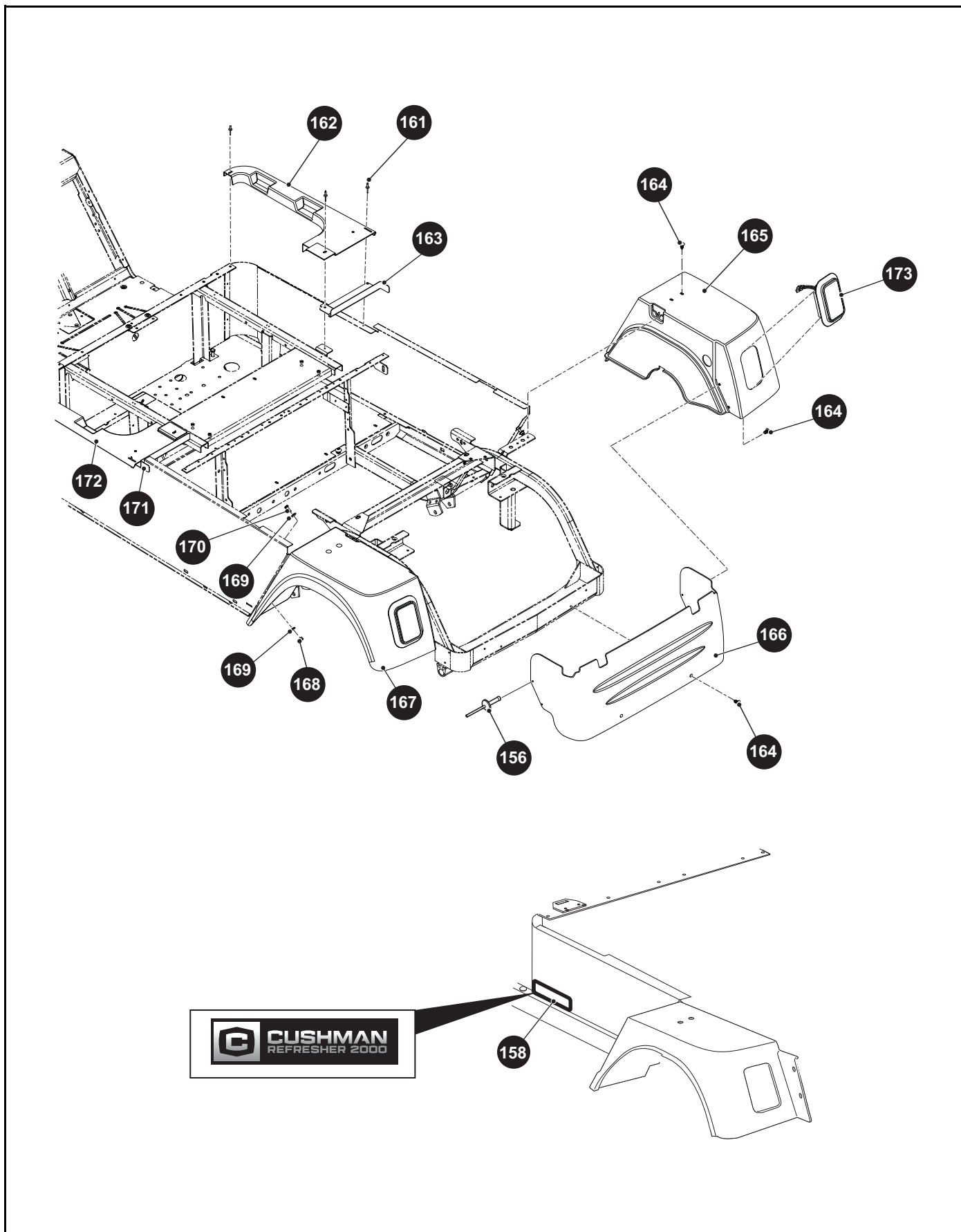
\* Indicates a component that is not available as an individual part.

\*\*\* Indicates consult Customer Service Department for additional information.

ITEM	PART NO.	1 2 3 4 5	DESCRIPTION	QTY.
125	23726G2		SPACER, 1/4" .....	2
126	00660G5		FLAT WASHER (SS), #10 .....	2
127	14390G10		LOCK NUT, #10 - 24.....	2
128				
129				
130				
131	16705G1		TRUSS HEAD SCREW (SS), 1/4" - 20 X 1" LG .....	4
132	23726G4		SPACER, 1/4" .....	4
133	00559G7		FLAT WASHER, 1/4" .....	4
134	14390G4		LOCK NUT, 1/4" - 20 .....	4
135	10570G10		RIVET (SS), 5/32" X 9/16" .....	4
136				
137				
138				
139				
140				
141				
142				
143				
144				
145				
146				
147				
148				
149				
150				
151				
152				
153				
154				
155				



# BODY



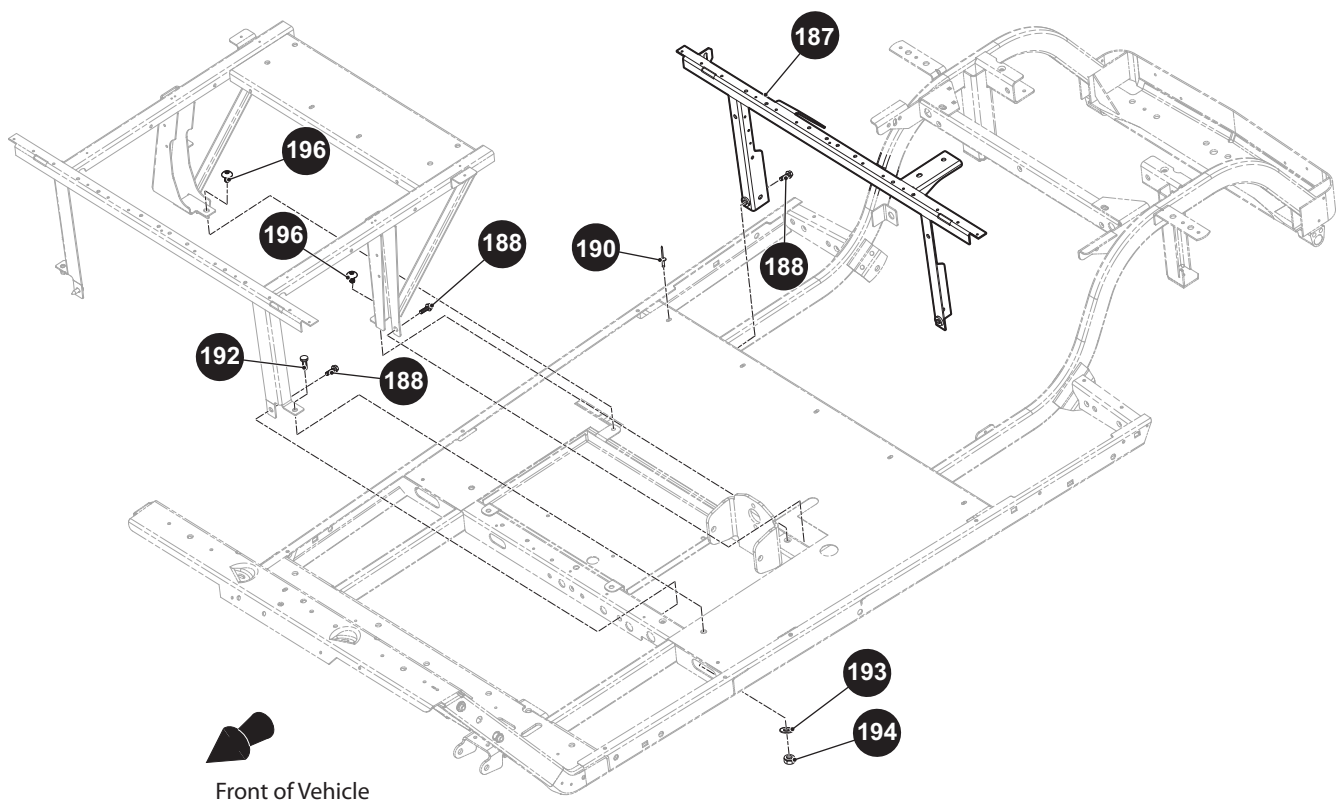
When ordering parts, please specify the model and serial number of the product.

\* Indicates a component that is not available as an individual part.

\*\*\* Indicates consult Customer Service Department for additional information.

ITEM	PART NO.	1 2 3 4 5	DESCRIPTION	QTY.
156	71055G01		RIVET (ALUMINUM), 3/16" X 1" .....	4
157				
158	619141		REFRESHER 2000 CUSHMAN LOGO DECAL .....	1
159				
160				
161	10570G10		RIVET (SS), 1/64" X .55" .....	6
162	74891G02		SEAT FILLER PANEL (PASSENGER SIDE) .....	1
163	600775G02		FILLER CARGO BED (PASSENGER SIDE) .....	1
164	16816G2		RATCHET RIVET, .25" X .88" .....	10
165	612225		TRIMMED REAR FENDER (PASSENGER SIDE).....	1
166	74890G01		REAR VALANCE PANEL .....	1
167	612224		TRIMMED REAR FENDER (DRIVER SIDE) .....	1
168	14390G4		LOCK NUT, 1/4" - 20 .....	4
169	00642G7		FLAT WASHER, 1/4" .....	8
170	00414G6		HEX HEAD BOLT, 1/4" - 20 X 3/4" LG .....	4
171	600775G01		CARGO FILLER BED (DRIVER SIDE).....	1
172	74891G01		SEAT FILLER PANEL (DRIVER SIDE).....	1
173	32739G2		TAILLIGHT ASSEMBLY .....	2
174				
175				
176				
177				
178				
179				
180				
181				
182				
183				
184				
185				
186				

# BODY





When ordering parts, please specify the model and serial number of the product.

\* Indicates a component that is not available as an individual part.

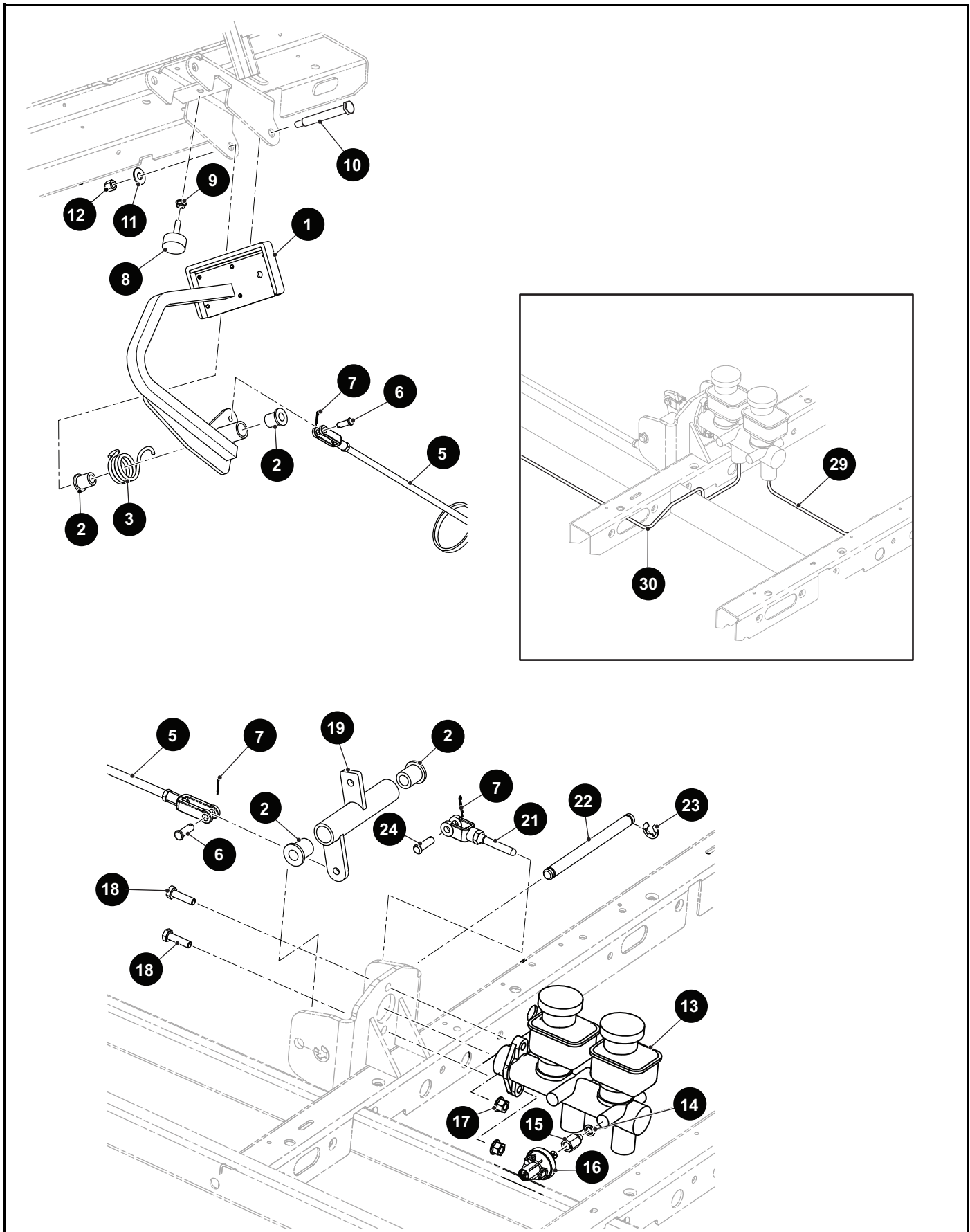
\*\*\* Indicates consult Customer Service Department for additional information.

ITEM	PART NO.	1 2 3 4 5	DESCRIPTION	QTY.
187	605694		SEAT FRAME .....	1
188	00715G2		FLANGED HEX HEAD BOLT, 5/16" - 18 X 4/5" LG .....	6
189				
190	10570G10		RIVET (SS), 5/30" X 9/16" .....	5
191				
192	00438G8		HEX HEAD BOLT, 5/16" - 18 X 1" LG .....	2
193	00559G8		FLAT WASHER, 5/16" .....	2
194	11098G6		LOCK NUT, 5/16" - 18 .....	2
195				
196	70200G01		TRUSS HEAD TORX SCREW, 3/8" - 16 X 3/4" LG .....	2





# BRAKES



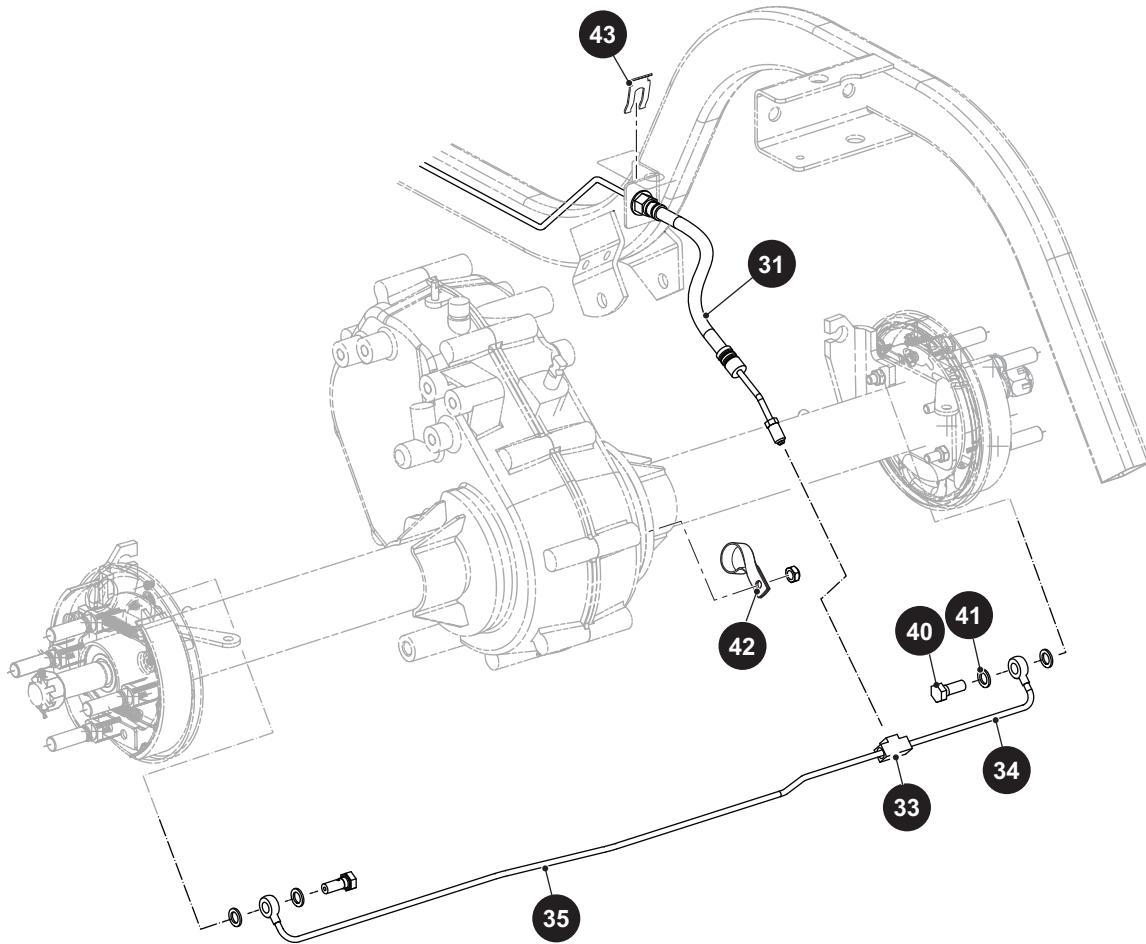
# BRAKES

When ordering parts, please specify the model and serial number of the product.

\* Indicates a component that is not available as an individual part.

\*\*\* Indicates consult Customer Service Department for additional information.

ITEM	PART NO.	1 2 3 4 5	DESCRIPTION	QTY.
1	610639		BRAKE PEDAL ASSEMBLY .....	1
2	70581G01		FLANGED BUSHING, .5" X 1" LG .....	4
3	70676G01		SPRING .....	1
4	21504G1		BRAKE FLUID (NOT ILLUSTRATED) .....	1
5	609837		LINKAGE ROD.....	1
6	10386G3		CLEVIS PIN, 5/16" X 15/16" .....	2
7	10387G3		COTTER PIN, 3/32" X 3/4" .....	3
8	70113G01		RUBBER BUMPER.....	1
9	11027G1		LOCK NUT, 5/16" - 18.....	1
10	70582G01		SHOULDER BOLT, 3/8" - 18 X 3.4" LG .....	1
11	00643G1		FLAT WASHER, 3/8" .....	1
12	11098G5		LOCK NUT, 3/8" - 16.....	1
13	73793G01		TANDEM MASTER CYLINDER.....	1
14	600479		SEALING WASHER, M8 .....	1
15	600401G01		ADAPTER .....	1
16	620274		SWITCH.....	1
17	800697		LOCKING NUT, 5/16" - 18 .....	2
18	00439G1		HEX HEAD BOLT, 5/16" - 18 X 1.12" LG .....	2
19	610149		BELLCRANK.....	1
20	22283G1		TEFLON TAPE (NOT ILLUSTRATED).....	1
21	611231		PUSH ROD .....	1
22	70410G03		SHAFT BELLCRANK.....	1
23	01111G01		RETAINING RING.....	2
24	14443G3		CLEVIS PIN, 5/10" X 15/16" .....	1
25				
26				
27				
28				
29	609798		REAR BRAKE LINE .....	1
30	609806		FRONT BRAKE LINE.....	1



**32** BRAKE LINE ASSEMBLY includes items 33 - 35

# BRAKES

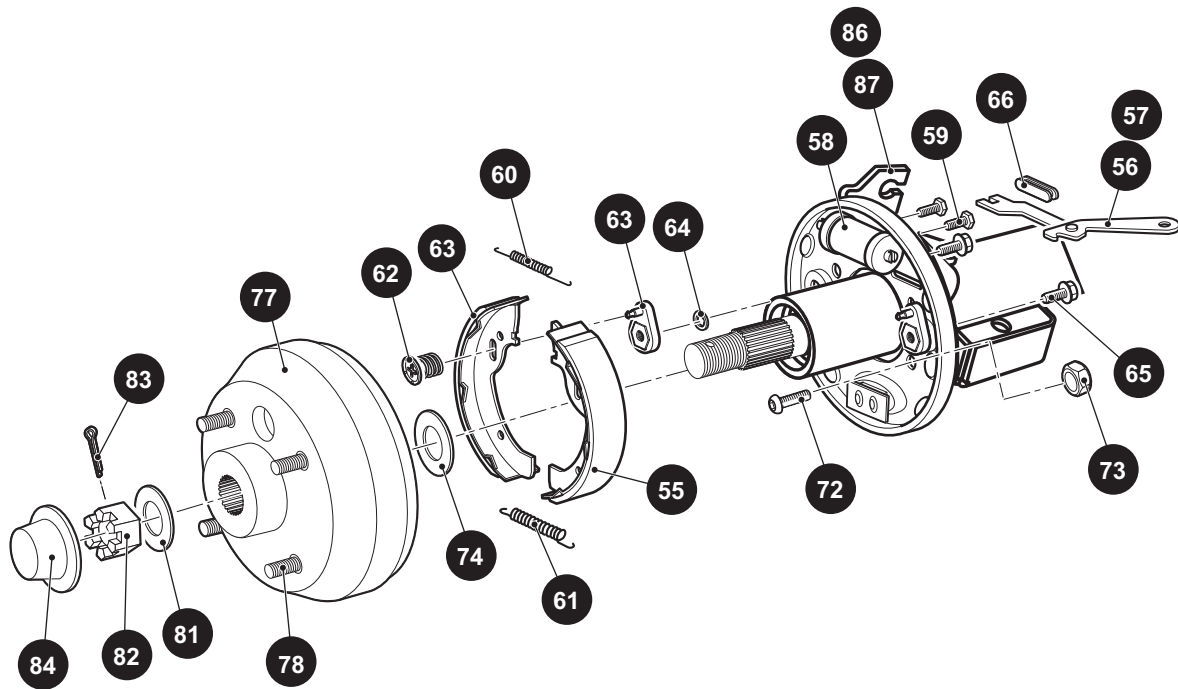
When ordering parts, please specify the model and serial number of the product.

\* Indicates a component that is not available as an individual part.

\*\*\* Indicates consult Customer Service Department for additional information.

ITEM	PART NO.	1 2 3 4 5	DESCRIPTION	QTY.
31	34989G01		HOSE ASSEMBLY .....	1
32	620855		BRAKE LINE ASSEMBLY (INCLUDES ITEMS 33 - 35) .....	1
33	820008		TEE FITTING .....	1
34	620856		SHORT BRAKE LINE .....	1
35	620857		LONG BRAKE LINE .....	1
36				
37				
38				
39				
40	75683G01		BANJO BOLT, 3/8" - 24 X 8/9" LG .....	2
41	75684G01		GASKET COPPER .....	4
42	75813G01		CLAMP .....	1
43	809137		FLEXIBLE CLIP .....	1
44	17618G1		NYLON CLAMP (NOT ILLUSTRATED) .....	3
45				
46				
47				
48				
49				
50				
51				
52				

# BRAKES



- 53** BRAKE ASSEMBLY (DRIVER SIDE) includes items 55, 56, 58 - 66
- 54** BRAKE ASSEMBLY (PASSENGER SIDE) includes items 55, 57 - 66
- 68** ADJUSTER KIT includes items 63 - 66
- 69** ADJUSTER KIT includes items 59 - 62
- 76** BRAKE DRUM ASSEMBLY includes items 77 - 78



# BRAKES

When ordering parts, please specify the model and serial number of the product.

\* Indicates a component that is not available as an individual part.

\*\*\* Indicates consult Customer Service Department for additional information.

ITEM	PART NO.	1 2 3 4 5	DESCRIPTION	QTY.
53	75685G01		BRAKE ASSEMBLY (DRIVER SIDE) (INCLUDES ITEMS 55, 56, 58 - 66)....	1
54	75685G02		BRAKE ASSEMBLY (PASSENGER SIDE) (INCLUDES ITEMS 55, 57 - 66) .	1
55	75830G01		BRAKE SHOE .....	2
56	75829G01		PARK BRAKE WHEEL LEVER (DRIVER SIDE) .....	1
57	75829G02		PARK BRAKE WHEEL LEVER (PASSENGER SIDE) .....	1
58	75828G01		WHEEL CYLINDER.....	1
59	*		WHEEL CYLINDER BOLT.....	2
60	*		UPPER RETURN SPRING .....	1
61	*		LOWER RETURN SPRING.....	1
62	*		CUP AND SPRING.....	2
63	*		ADJUSTER.....	2
64	*		FLAT WASHER .....	2
65	*		HEX HEAD BOLT, 1/4" - 28 X 1/2" LG.....	2
66	*		DUST COVER .....	1
67				
68	75826G01		ADJUSTER KIT (INCLUDES ITEMS 63 - 66).....	1
69	75827G01		HARDWARE KIT (INCLUDES ITEMS 59 - 62).....	1
70				
71				
72	631224		SOCKET HEAD CAP SCREW, 5/16" - 24 X 1" LG.....	8
73	15126G1		LOCK NUT, 5/16" - 24.....	8
74	21809G1		INNER BRAKE DRUM WASHER, 1 5/16" O.D. X 1" I.D. ....	2
75				
76	21807G2		BRAKE DRUM ASSEMBLY (INCLUDES ITEMS 77 - 78) .....	2
77	*		BRAKE DRUM.....	1
78	19862G2		LUG BOLT, 1/2" - 20 X 1 3/16" LG.....	4
79				
80				
81	606945		OUTER BRAKE DRUM WASHER.....	2
82	606403		SLOTTED NUT, M22 X 1.5 .....	2
83	10387G1		COTTER PIN, 1/8" X 1 1/2" LG.....	2

# BRAKES

When ordering parts, please specify the model and serial number of the product.

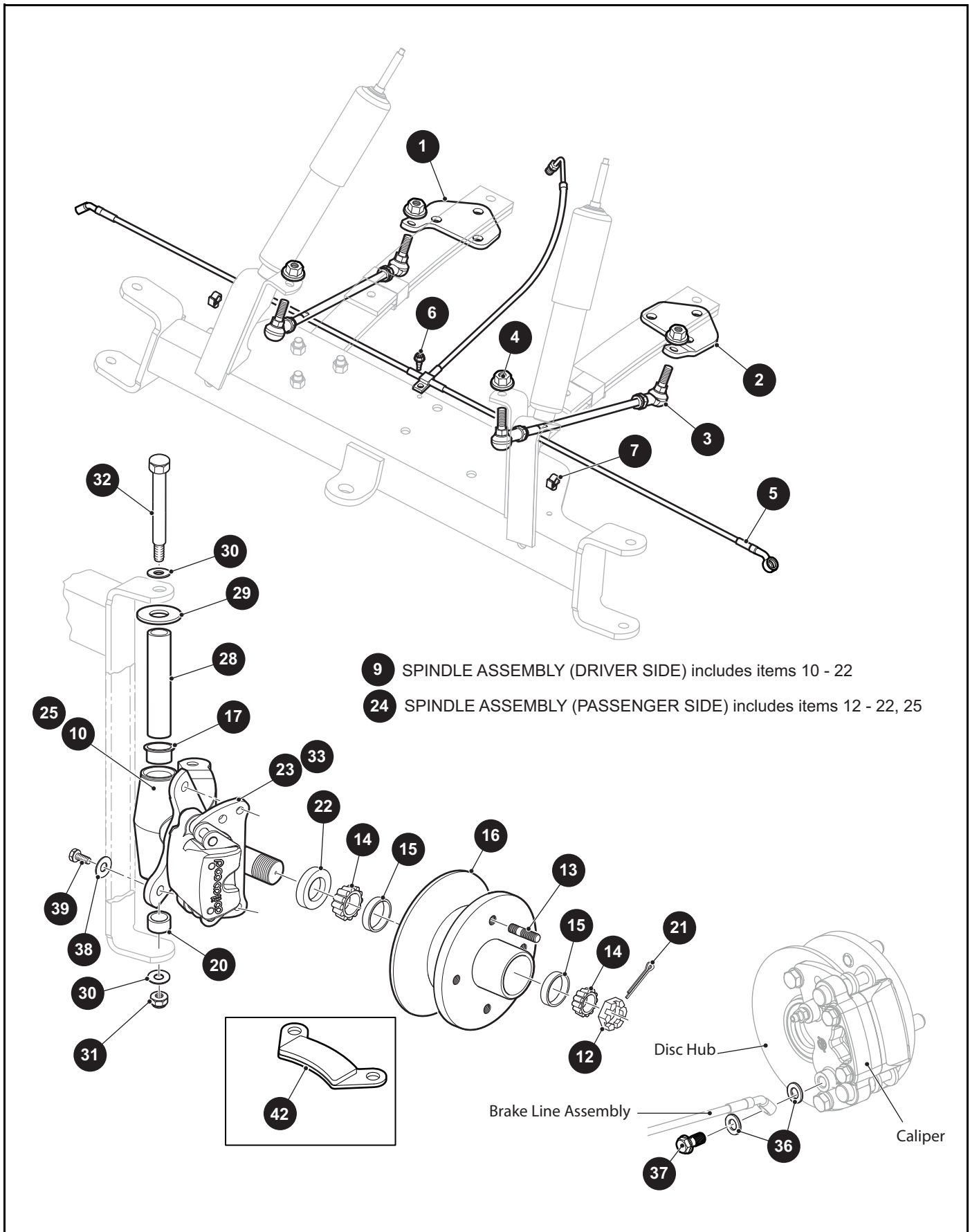
\* Indicates a component that is not available as an individual part.

\*\*\* Indicates consult Customer Service Department for additional information.

ITEM	PART NO.	1 2 3 4 5	DESCRIPTION	QTY.
84	74175G01		DUST CAP.....	2
85				
86	608200		BRAKE CABLE BRACKET (PASSENGER SIDE).....	1
87	608201		BRAKE CABLE BRACKET (DRIVER SIDE) .....	1



# BRAKES - FRONT DISC



# BRAKES - FRONT DISC

When ordering parts, please specify the model and serial number of the product.

\* Indicates a component that is not available as an individual part.

\*\*\* Indicates consult Customer Service Department for additional information.

ITEM	PART NO.	1 2 3 4 5	DESCRIPTION	QTY.
1	74731G02		SPRING PLATE (PASSENGER SIDE) .....	1
2	74731G01		SPRING PLATE (DRIVER SIDE).....	1
3	74730G01		FOUR LINK ROD.....	2
4	606279		HEX NUT, M10 - 1.25.....	4
5	630766		BRAKE LINE ASSEMBLY (SS).....	1
6	01038G01		SWAGEFORM SCREW, 1/4" - 20 X 1/2" LG .....	1
7	74875G01		WIRE RETAINER.....	2
8				
9	602281		SPINDLE, CALIPER AND DISC HUB ASSEMBLY (DRIVER SIDE) (INCLUDES ITEMS 10 - 22) .....	1
10	602176		DISC BRAKE SPINDLE (DRIVER SIDE) .....	1
11				
12	12093G1		SLOTTED NUT, 1" - 14.....	1
13	74864G01		DRIVE FLANGE STUD, 1.5" .....	4
14	11750G2		ROLLER BEARING .....	2
15	51141G1		BEARING RACE .....	2
16	630672		DISC BRAKE HUB .....	1
17	632925		FLANGED BEARING .....	1
18				
19				
20	632926		BEARING .....	1
21	00798G8		COTTER PIN, 5/32" X 1 3/4" .....	1
22	25146G1		GREASE SEAL.....	1
23	633918G01		CALIPER (DRIVER SIDE) .....	1
24	602288		SPINDLE, CALIPER AND DISC HUB ASSEMBLY (PASSENGER SIDE) (INCLUDES ITEMS 12 - 22, 25) .....	1
25	602158		DISC BRAKE SPINDLE (PASSENGER SIDE).....	1
26				
27				
28	70745G01		KINGPIN TUBE.....	2
29	70754G01		THRUST WASHER (SS), .995" I.D X 1.38" O.D.....	2
30	00560G3		FLAT WASHER, 1/2".....	4

# BRAKES - FRONT DISC

When ordering parts, please specify the model and serial number of the product.

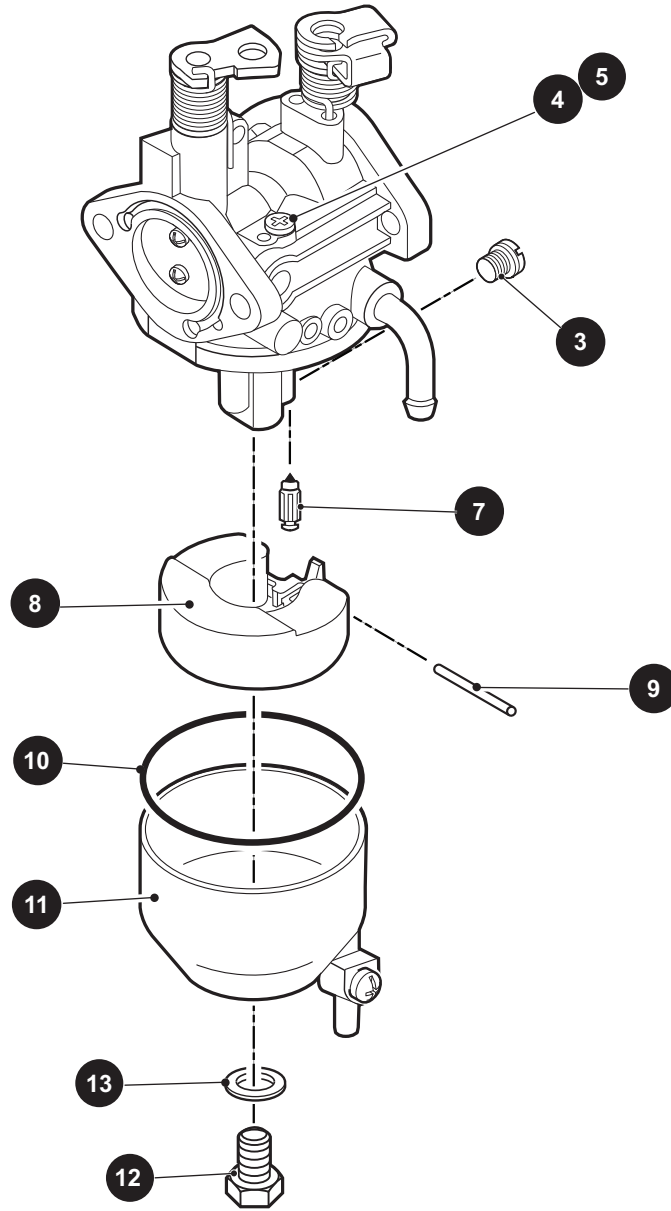
\* Indicates a component that is not available as an individual part.

\*\*\* Indicates consult Customer Service Department for additional information.

ITEM	PART NO.	1 2 3 4 5	DESCRIPTION	QTY.
31	14390G6		LOCK NUT, 1/2" - 13 .....	2
32	00407G6		HEX HEAD SHOULDER BOLT, 1/2" - 13 X 6" LG.....	2
33	633918G02		CALIPER (PASSENGER SIDE) .....	1
34				
35				
36	613293		CRUSH WASHER, M10 .....	4
37	616459		BANJO BOLT, M10 - 1" X 20" LG .....	2
38	00566G1		LOCK WASHER, 3/8" .....	4
39	00426G6		HEX HEAD BOLT, 3/8" - 16 X 1" LG.....	4
40				
41				
42	649167		BRAKE PAD .....	2

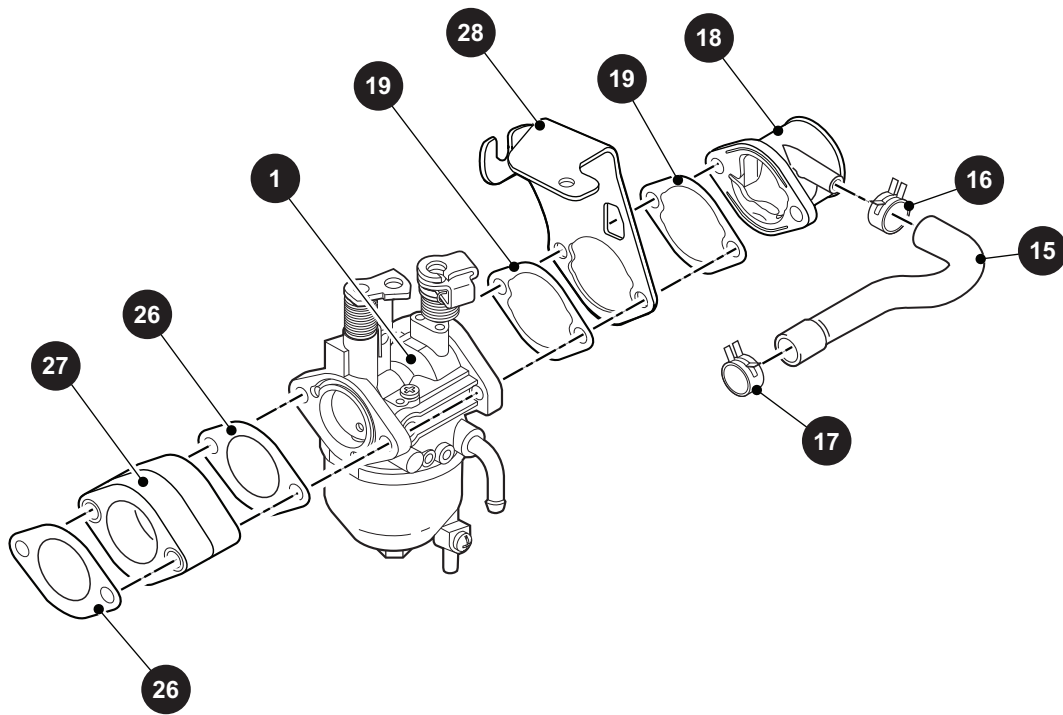


# CARBURETOR AND CHOKE





# CARBURETOR AND CHOKE



# CARBURETOR AND CHOKE

When ordering parts, please specify the model and serial number of the product.

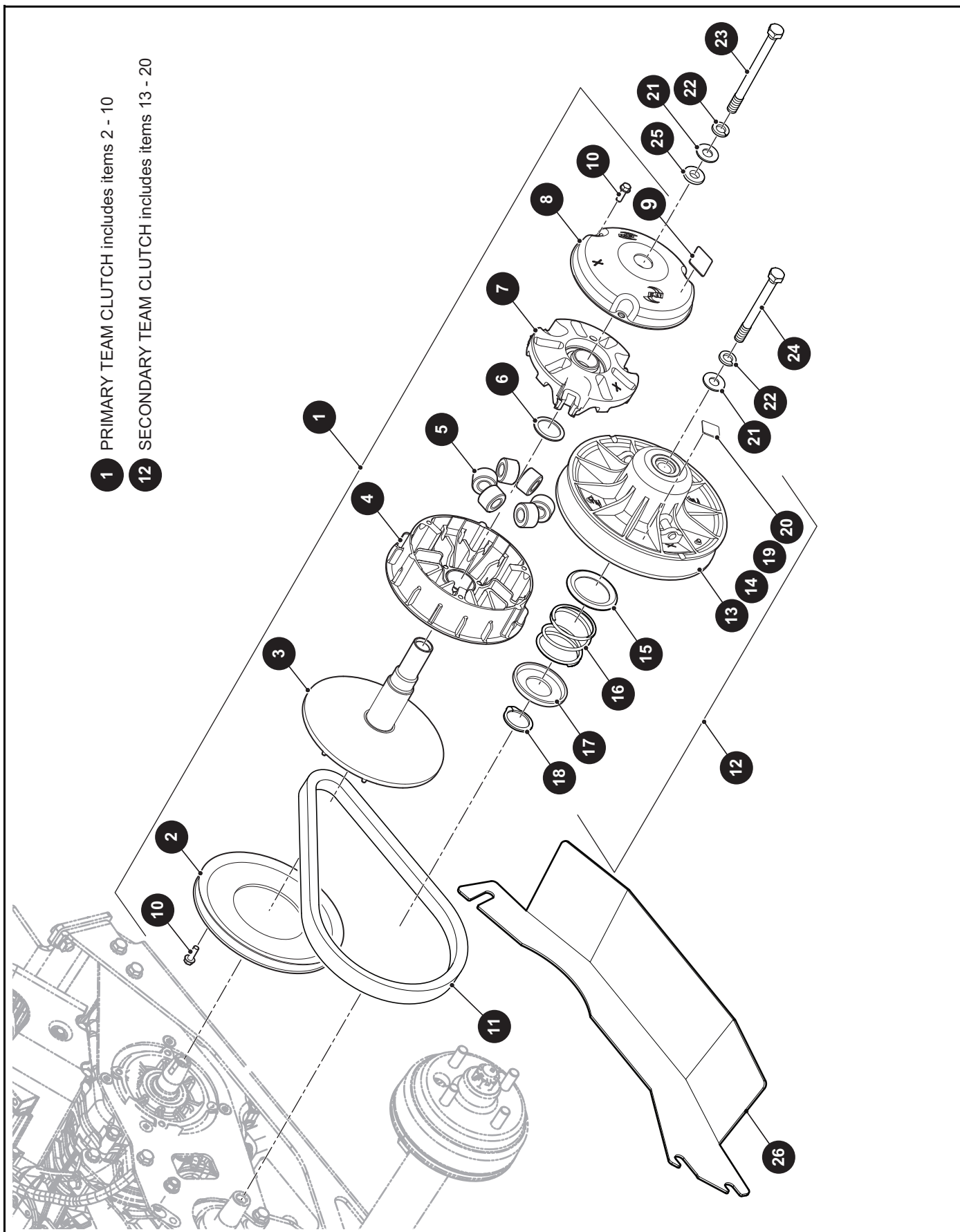
\* Indicates a component that is not available as an individual part.

\*\*\* Indicates consult Customer Service Department for additional information.

ITEM	PART NO.	1	2	3	4	5	DESCRIPTION	QTY.
1	607954						CARBURETOR (INCLUDES ITEMS 3 - 21).....	1
2								
3	607683						MAIN JET (#104) .....	1
4	608021						PILOT JET (#44) .....	1
5	603585						PLUG .....	1
6								
7	603586						NEEDLE VALVE.....	1
8	603587						FLOAT.....	1
9	603588						FLOAT PIN.....	1
10	603589						FLOAT BOWL GASKET.....	1
11	603590						FLOAT CHAMBER.....	1
12	603592						BOWL SCREW .....	1
13	603591						BOWL GASKET .....	1
14								
15	603598						BREATHER TUBE .....	1
16	603596						CLAMP, INTAKE TUBE.....	1
17	603597						CLAMP CYLINDER HEAD TUBE.....	1
18	603594						INTAKE TUBE.....	1
19	603593						CHOKE GASKET.....	2
20	603595						NUT, M6 X 1.0.....	2
21	608023						THROTTLE ROD ATTACHMENT BUSHING.....	1
22								
23	607684						MAIN JET (#102) (FOR ELEVATIONS OF 3000 FT - 6000 FT).....	1
24	607685						MAIN JET (#100) (FOR ELEVATIONS OF 6000 FT - 10000 FT).....	1
25								
26	603580						CARBURETOR MOUNT GASKET.....	2
27	603581						CARBURETOR INSULATOR .....	1



# CLUTCH



When ordering parts, please specify the model and serial number of the product.

\* Indicates a component that is not available as an individual part.

\*\*\* Indicates consult Customer Service Department for additional information.

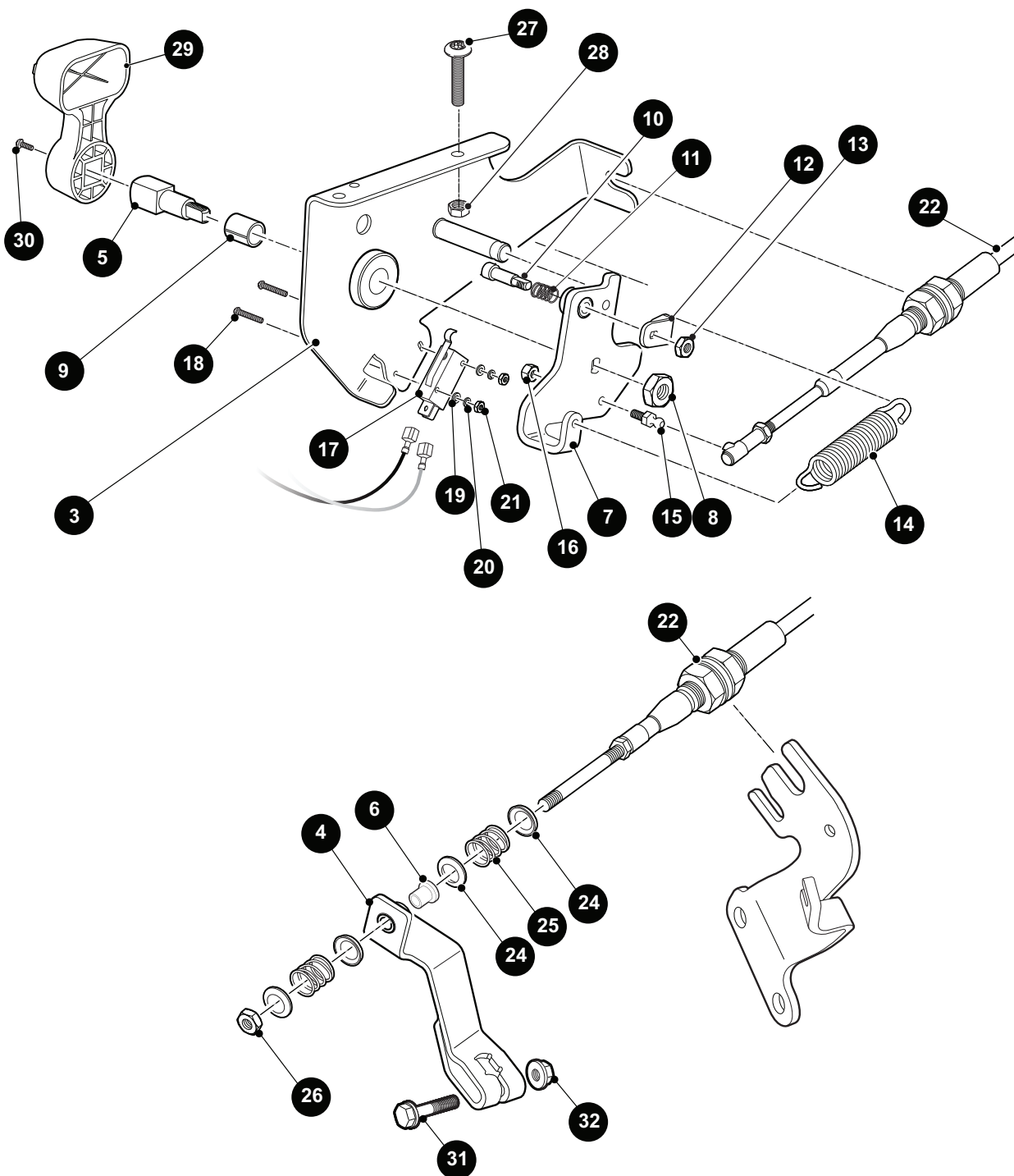
ITEM	PART NO.	1 2 3 4 5	DESCRIPTION	QTY.
1	623948		PRIMARY TEAM CLUTCH (Includes items 2 - 10).....	1
2	619333		PRIMARY STARTER PULLY, 195 - SVC.....	1
3	619334		STATIONARY ASSEMBLY .....	1
4	619335		MOVEABLE PRIMARY ASSEMBLY .....	1
5	624112		SHIFT ROLLER ASSEMBLY.....	6
6	619337		SHIM, 39.5 X 31.75 .....	1
7	619338		PRIMARY SPIDER ASSEMBLY .....	1
8	619339		PRIMARY DUST COVER ASSEMBLY.....	1
9	*		E-Z-GO PRIMARY LABEL.....	1
10	619332		BOLT, 1/4 - 20 X.75 .....	7
11	618630		DRIVE BELT .....	1
12	623949		SECONDARY TEAM CLUTCH (Includes items 13 - 20) .....	1
13	*		SECONDARY STATIONARY, 9.5.....	1
14	*		MOVEABLE SECONDARY, 9.5.....	1
15	619327		INNER RETAINER SPRING.....	1
16	624111		COMPRESSION SPRING, 2.70 OD.....	1
17	619329		OUTER SPRING RETAINER .....	1
18	619330		RETAINER RING.....	1
19	619331		THRUST WASHER, 1.530 x 1.830 x 1.....	1
20	*		SECONDARY PART E-Z-GO LOGO.....	1
21	606239		CONICAL WASHER, M12 .....	2
22	00566G3		SPRING TYPE LOCK WASHER .....	2
23	606245		HEX BOLT, M12 - 1.25 X 160 .....	1
24	606243		HEX BOLT, M12 - 1.25 X 120 .....	1
25	606230		CLUTCH WASHER.....	1
26	605950		CLUTCH BELT SHIELD.....	1





# DIRECTION SELECTOR

1 DIRECTION SELECTOR ASSEMBLY includes items 3 - 26





# DIRECTION SELECTOR

When ordering parts, please specify the model and serial number of the product.

\* Indicates a component that is not available as an individual part.

\*\*\* Indicates consult Customer Service Department for additional information.

ITEM	PART NO.	1 2 3 4 5	DESCRIPTION	QTY.
1	606170		DIRECTION SELECTOR ASSEMBLY (INCLUDES ITEMS 3 - 26) .....	1
2				
3	606077		DIRECTION SELECTOR BRACKET.....	1
4	606014		FNR BRACKET .....	1
5	70233G01		DIRECTION SELECTOR SHAFT.....	1
6	22754G4		FLIP LOK BUSHING, .25".....	1
7	603700		DIRECTION SELECTOR CAM.....	1
8	14390G1		LOCK NUT, 3/8" - 24 .....	1
9	25664G2		BUSHING, 1/2" X .75" LG.....	1
10	72724G01		NEUTRAL LOCK PIN .....	1
11	72733G01		COMPRESSION SPRING, 3/8" X 5/8" LG .....	1
12	72729G01		NEUTRAL LOCK BRACKET .....	1
13	00734G2		LOCK NUT, 1/4" - 28 .....	1
14	28574G01		EXTENSION SPRING .....	1
15	72732G01		BALL STUD, 1/4".....	1
16	00734G5		LOCK NUT, #10 - 32.....	1
17	72736G01		MICRO SWITCH .....	1
18	01062G01		SLOTTED MACHINED SCREW, #4 - 40 X 1" LG .....	2
19	00559G1		FLAT WASHER, #4 .....	2
20	00565G1		LOCK WASHER, #4 .....	2
21	00526G2		HEX NUT, #4 - 40 .....	2
22	605809		PUSH/PULL SHIFTER CABLE .....	1
23				
24	25727G01		CUP WASHER, 1/4" .....	4
25	72735G01		COMPRESSION SPRING, 19/32" X 1" LG .....	2
26	00734G5		LOCK NUT, #10 - 32.....	1
27	70227G01		SOCKET HEAD SCREW, 1/4" - 20 X 7/8" LG .....	2
28	11027G2		LOCK NUT, 1/4" - 20 .....	2
29	71205G01		DIRECTION SELECTOR HANDLE .....	1
30	00740G4		TRUSS HEAD PHILLIPS SCREW (SS), #10 - 32 X 1/2" LG.....	1
31	606421		HEX HEAD BOLT, M6 - 1.00 X 30MM LG.....	1

# DIRECTION SELECTOR

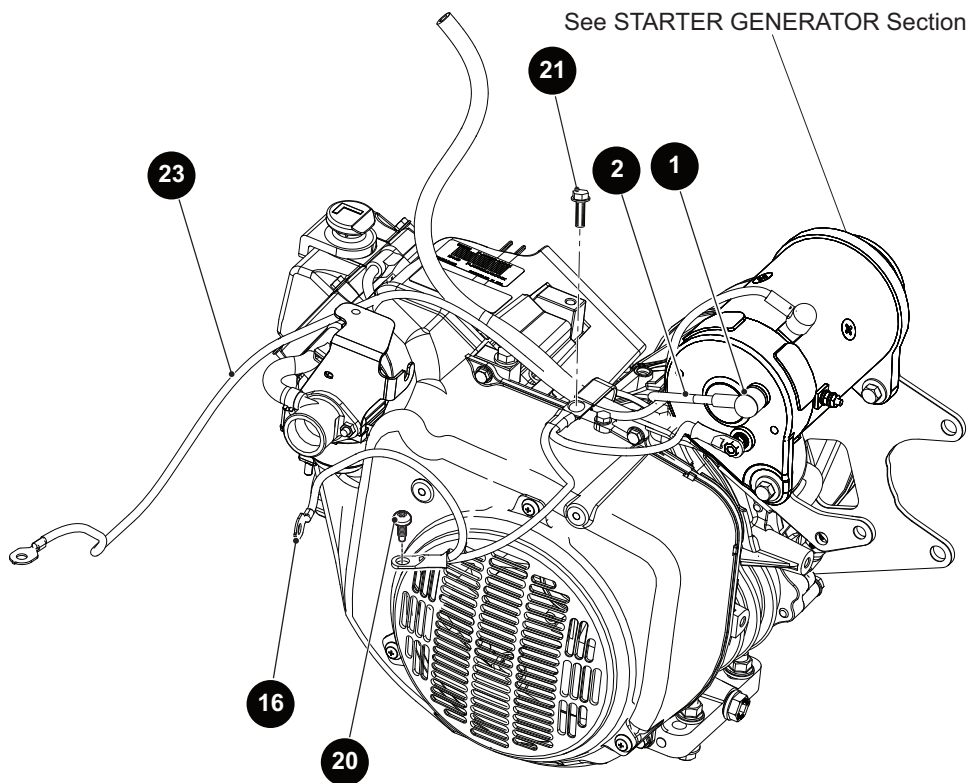
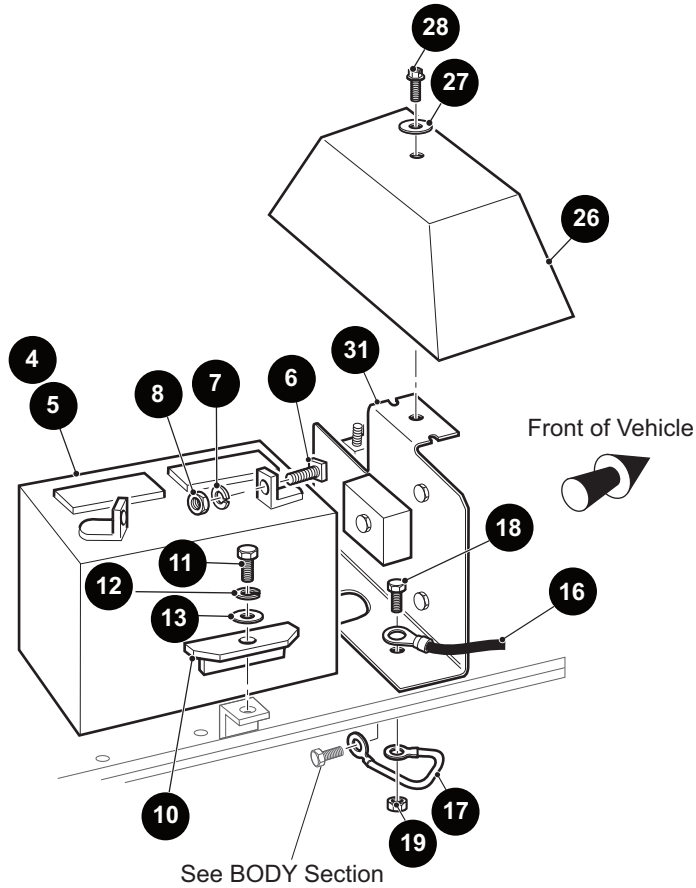
When ordering parts, please specify the model and serial number of the product.

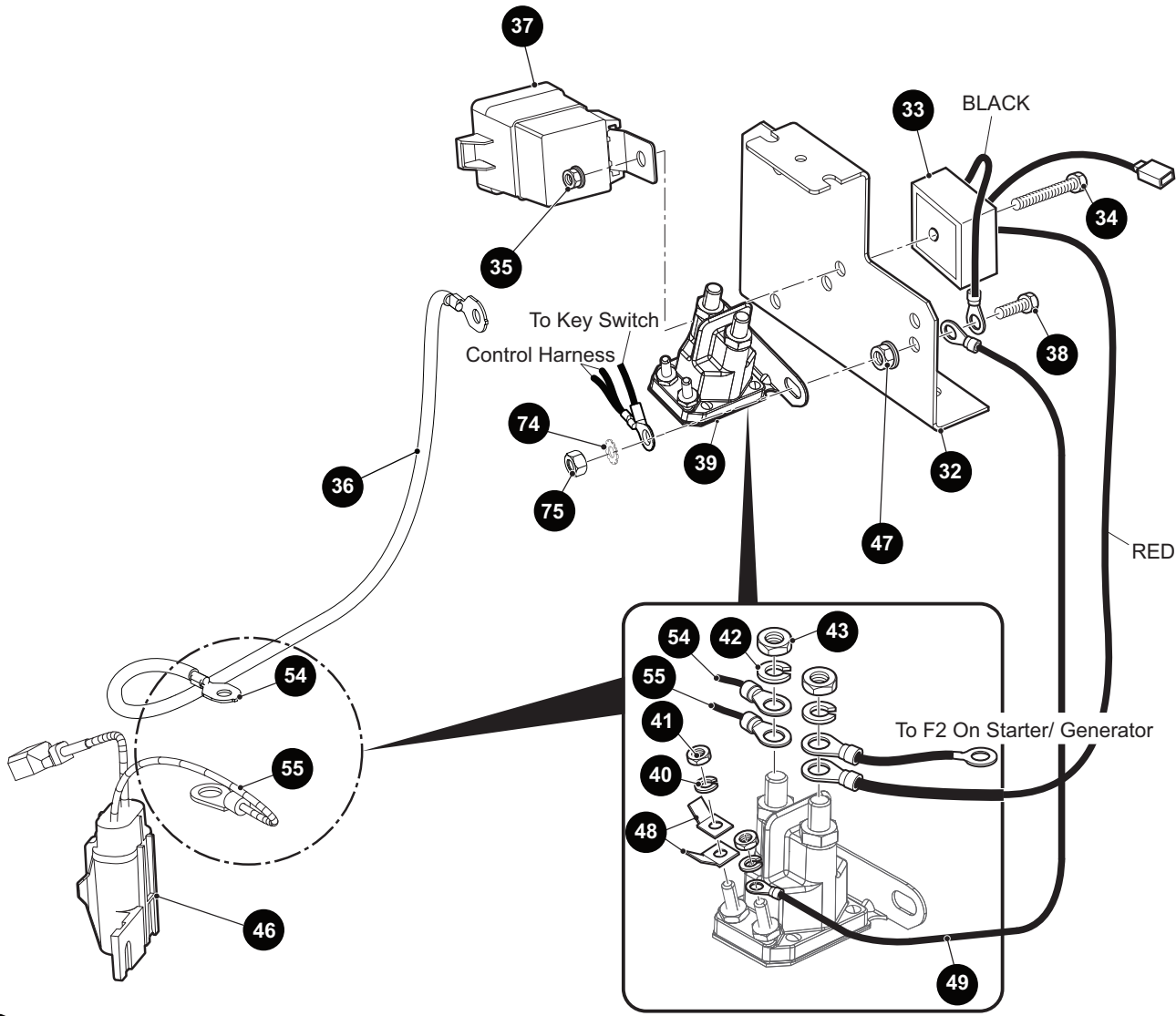
\* Indicates a component that is not available as an individual part.

\*\*\* Indicates consult Customer Service Department for additional information.

ITEM	PART NO.	1 2 3 4 5	DESCRIPTION	QTY.
32	450452		HEX NUT, M6 - 1 .....	1
33				
34				
35	31539G1		WIRE TIE (NOT SHOWN IN ILLUSTRATION).....	1
36	01072G01		CABLE CLIP (NOT SHOWN IN ILLUSTRATION).....	1

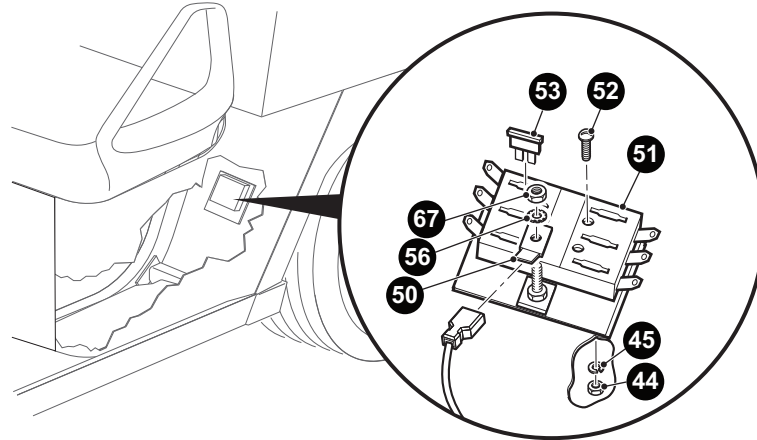




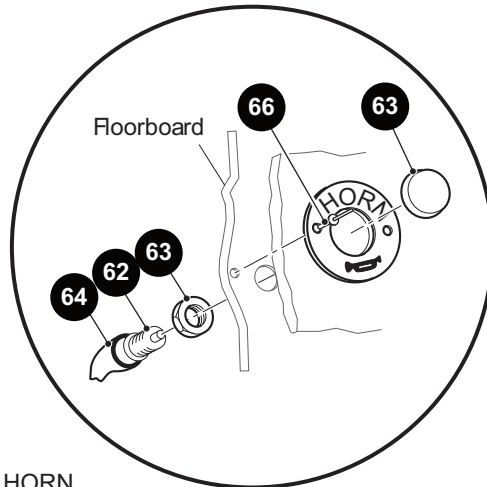


**31** ELECTRICAL PLATE ASSEMBLY includes items 32 - 49

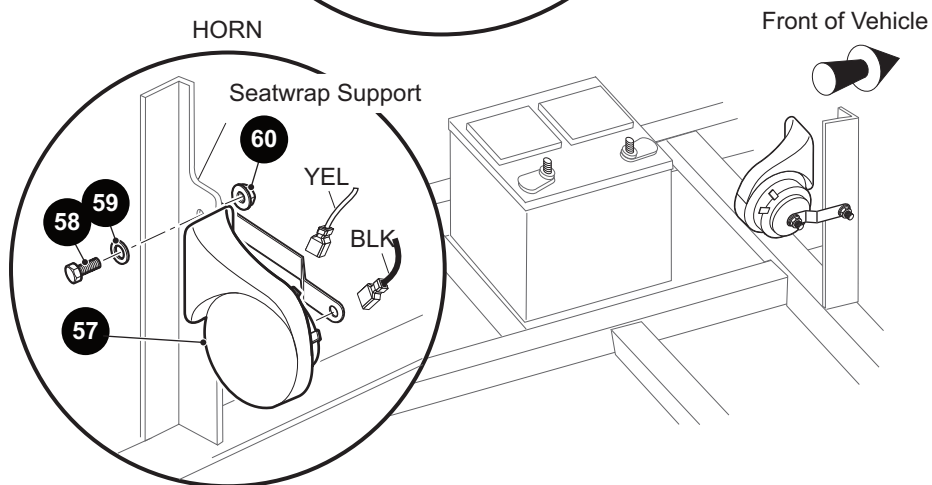
FUSE BLOCK

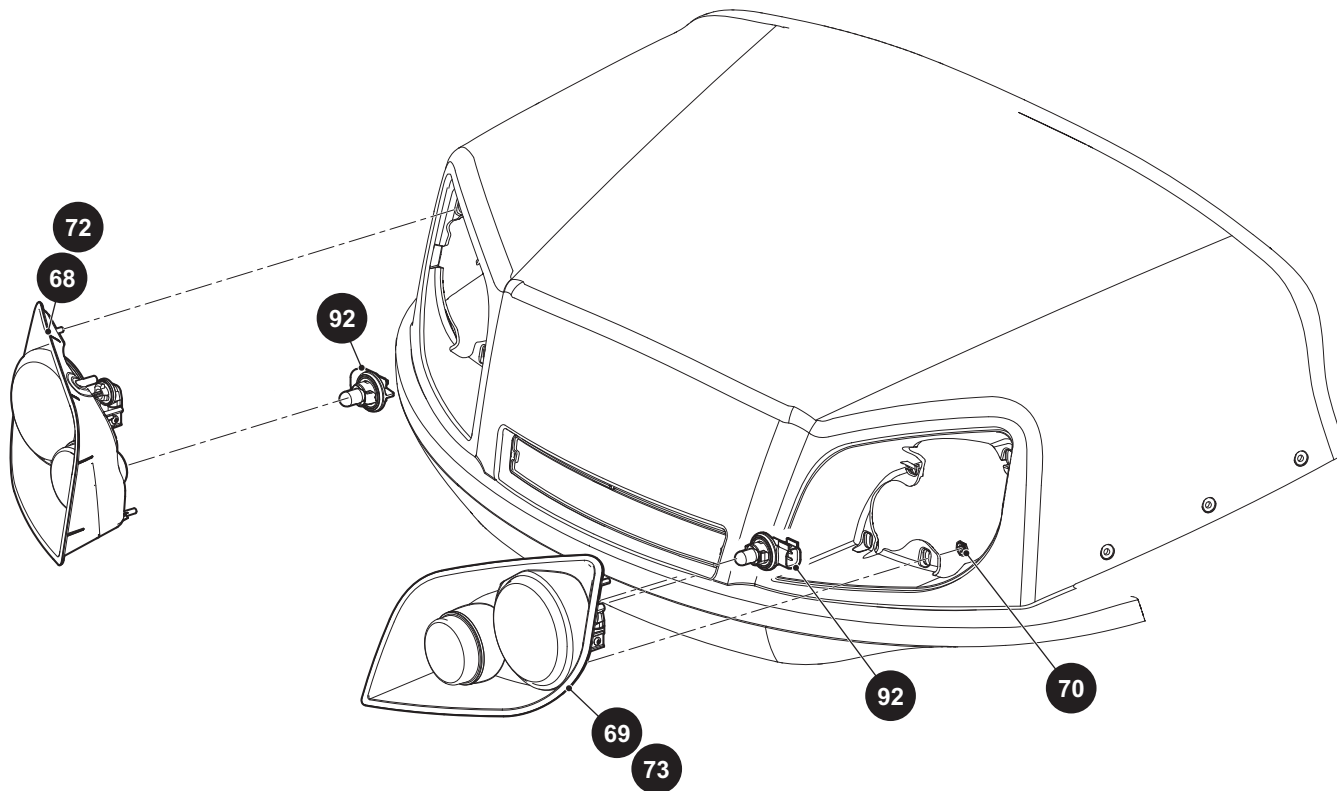


HORN BUTTON

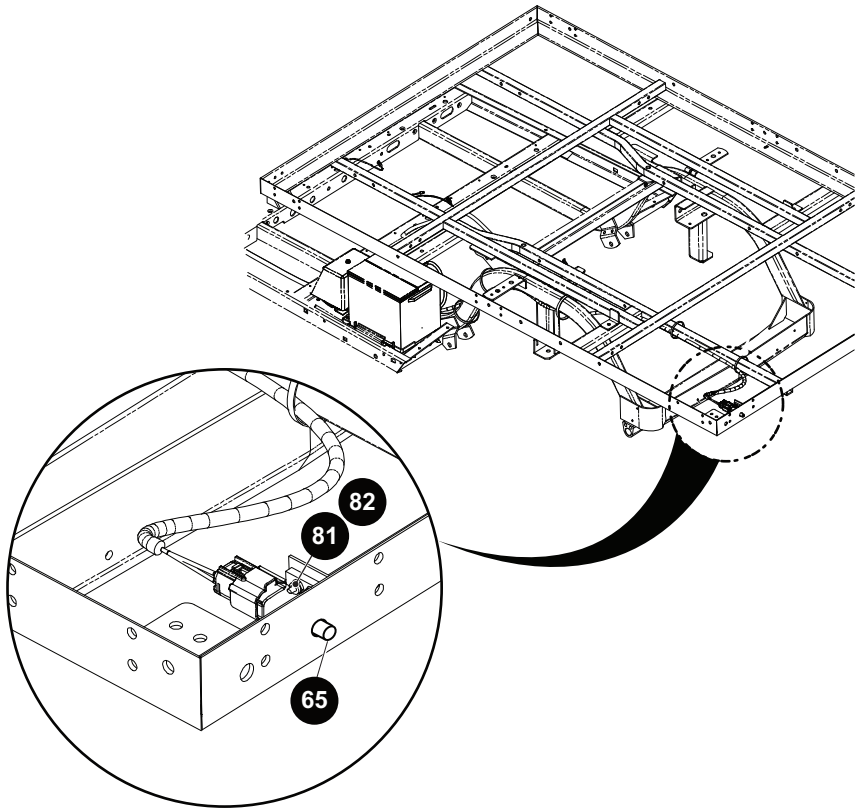


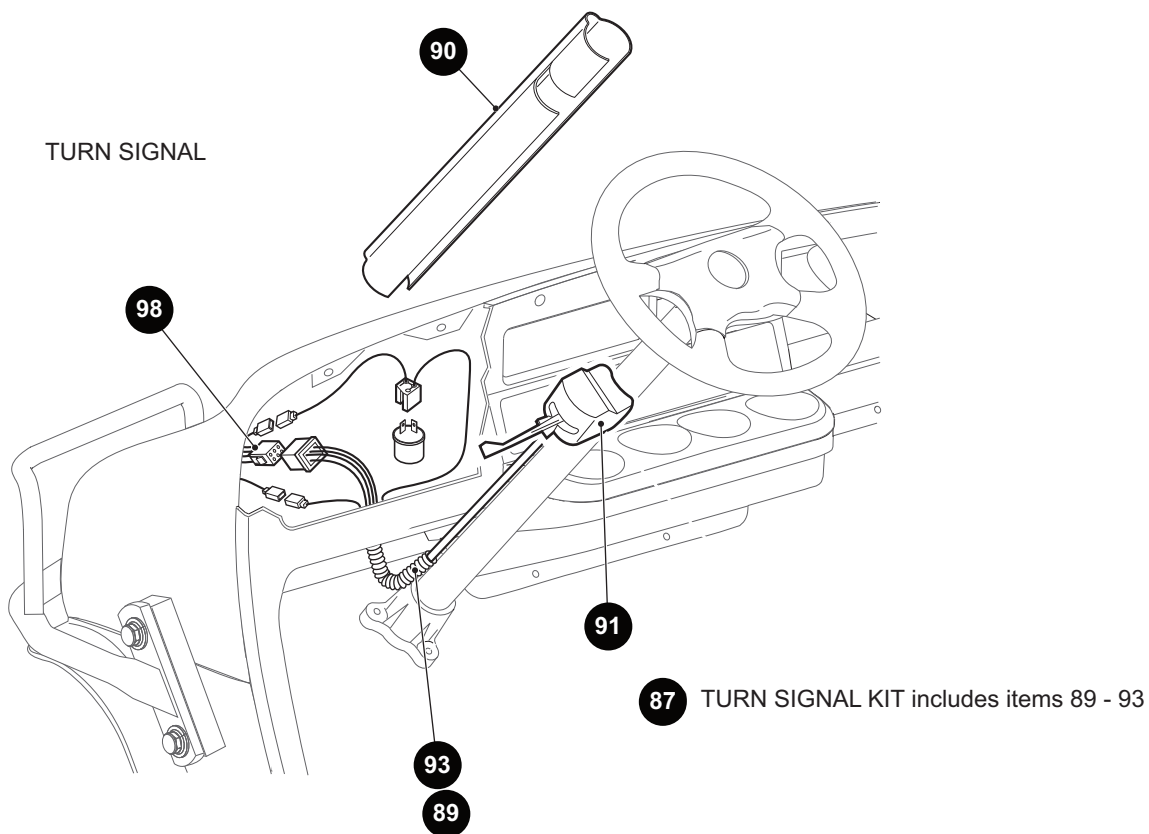
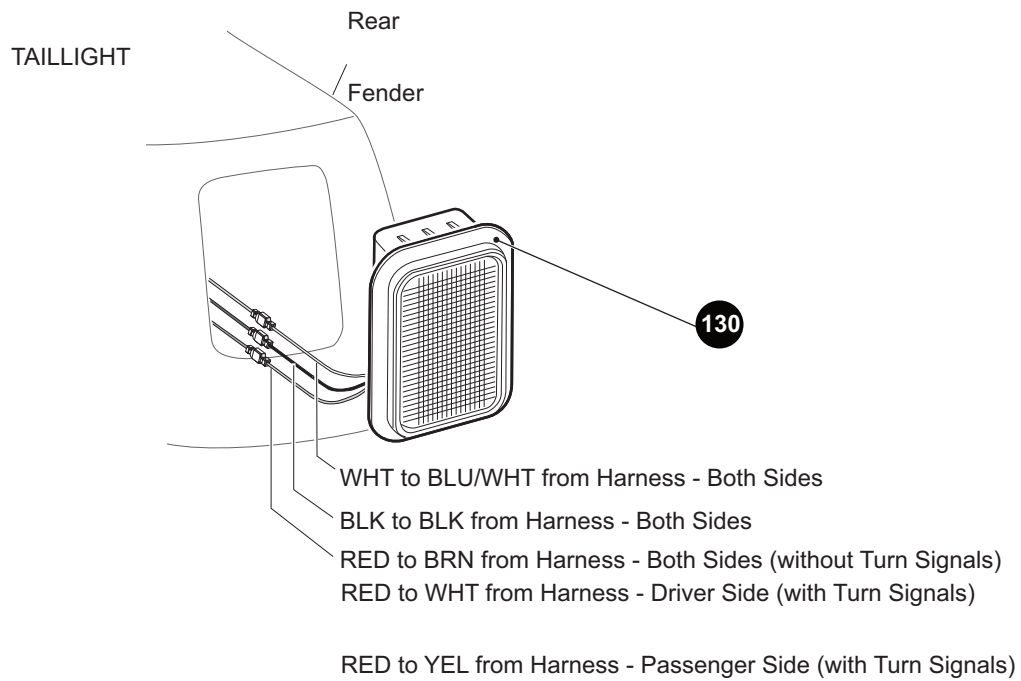
HORN





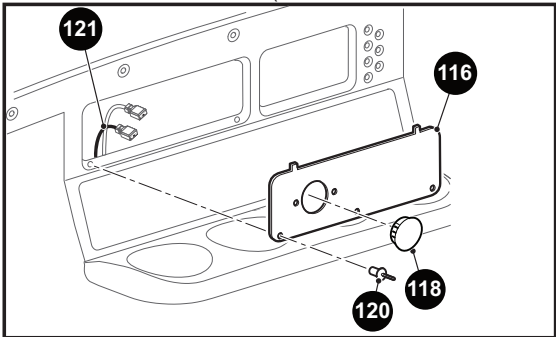
HEAD LIGHT AND TURN SIGNAL



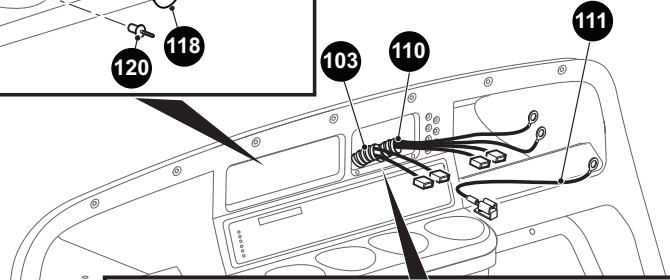




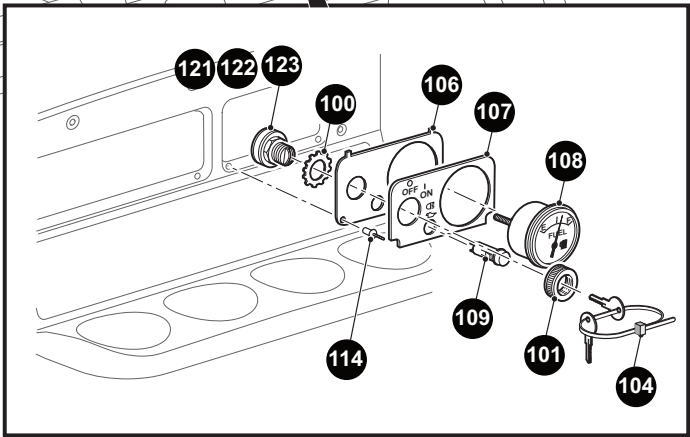
CONSOLE INSERT PLATE (WITH POWER OUTLET SHOWN)



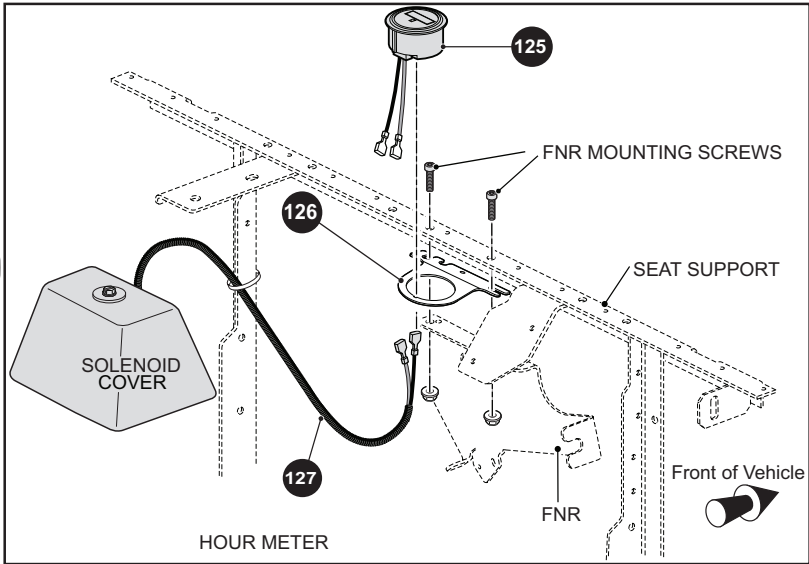
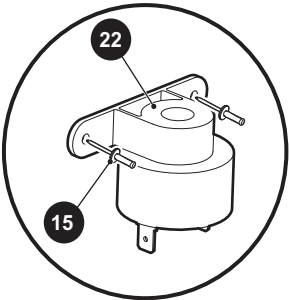
115 CONSOLE INSERT ASSEMBLY includes items 116 - 119



Front of Vehicle



KEY SWITCH, INDICATOR LIGHT(S), AND FUEL GAUGE



# ELECTRICAL

When ordering parts, please specify the model and serial number of the product.

\* Indicates a component that is not available as an individual part.

\*\*\* Indicates consult Customer Service Department for additional information.

ITEM	PART NO.	1 2 3 4 5	DESCRIPTION	QTY.
1	607053		6 GA WIRE (BLACK 6", F1 - A2).....	1
2	25682G1		TERMINAL COVER.....	3
3				
4	600497		BATTERY, 12V ( HEAVY DUTY ) .....	1
5	24775G1		BATTERY, 12V .....	1
6	*		BOLT, 5/16" - 18 X 1 1/4" LG .....	2
7	*		LOCK WASHER (SILICON BRONZE), 5/16".....	2
8	*		NUT (SILICON BRONZE), 5/16" - 18 .....	2
9				
10	72101G02		BATTERY HOLD DOWN .....	1
11	00438G6		HEX HEAD BOLT, 5/16" - 18 X 3/4" LG.....	3
12	00565G8		LOCK WASHER, 5/16" .....	1
13	00571G2		FLAT WASHER (SS), 5/16" .....	1
14				
15	01041G01		RIVET, 5/32" DIA .....	1
16	27044G03		GROUND CABLE.....	1
17	25976G19		14 GA WIRE (BLACK 6").....	1
18	00438G6		HEX HEAD BOLT, 5/16" - 18 X 3/4" LG.....	2
19	11027G1		LOCK NUT, 5/16" - 18 .....	2
20	26676G01		FLANGED BOLT M6 - 1 X 23 MM.....	1
21	606264		HEX HEAD BOLT, M6 -1 X 20 MM.....	1
22	73290G03		POTTED TONE BUZZER.....	1
23	25972G85		6 GA WIRE (BLACK 23", F2 - SOL).....	1
24	605777		WIRE HARNESS (CONTROL).....	1
25	17618G1		WIRE TIE (NOT SHOWN).....	AR
26	73049G01		COVER FNR .....	1
27	16469G1		FENDER WASHER, 1/4" .....	1
28	00114G6		HEX WASHER HEAD TAPPING SCREW, 1/4" - 14 X 3/4" LG.....	1
29				
30				
31	605563		ELECTRICAL PLATE ASSEMBLY (INCLUDES ITEMS 32 - 49) .....	1

When ordering parts, please specify the model and serial number of the product.

\* Indicates a component that is not available as an individual part.

\*\*\* Indicates consult Customer Service Department for additional information.

ITEM	PART NO.	1 2 3 4 5	DESCRIPTION	QTY.
32	73057G01		BRACKET.....	1
33	27739G01		VOLTAGE REGULATOR.....	1
34	00415G4		HEX HEAD BOLT, 1/4" - 20 X 1 1/4" LG.....	1
35	11027G2		LOCK NUT, 1/4" - 20.....	1
36	25972G33		WIRE ASSEMBLY 6 GA.....	1
37	603282		RELAY.....	1
38	00661G8		HEX HEAD BOLT (SS), 1/4 - 20 X 1" LG.....	1
39	612813		SOLENOID.....	1
40	*		LOCK WASHER, #10.....	2
41	*		NUT, #10 - 32.....	2
42	*		LOCK WASHER, 5/16".....	2
43	*		NUT, 5/16" - 24.....	2
44	00559G5		FLAT WASHER, # 10.....	2
45	14390G10		LOCKNUT, #10 - 24.....	2
46	600418G01		FUSE HOLDER ASSEMBLY.....	1
47	11027G2		LOCK NUT, 1/4" - 20.....	1
48	73446G01		FASTON TAB, 90°.....	2
49	25978G56		18 GA WIRE (BLACK 5 3/4").....	1
50	12914G1		PUSH ON MALE TERMINAL.....	1
51	22674G1		FUSE BLOCK.....	1
52	00379G2		RIVET, 1/8" X 13/16" LG.....	2
53	35212G01		15 AMP FUSE.....	3
54	25972G33		6 GA WIRE ASSEMBLY.....	1
55	20216G1		16 GA WIRE (RED).....	1
56	00567G5		LOCK WASHER, #10.....	1
57	32860G1		HORN.....	1
58	00414G5		HEX HEAD BOLT, 1/4" - 20 x 5/8" LG.....	1
59	00559G7		FLAT WASHER (SS), 1/4".....	1
60	14390G4		LOCK NUT, 1/4" - 20.....	1
61	18392G1		FUSE 15 AMPS.....	3
62	17318G1		HORN SWITCH.....	1

# ELECTRICAL

When ordering parts, please specify the model and serial number of the product.

\* Indicates a component that is not available as an individual part.

\*\*\* Indicates consult Customer Service Department for additional information.

ITEM	PART NO.	1 2 3 4 5	DESCRIPTION	QTY.
63	17318G2		HORN SWITCH CAP AND NUT .....	1
64	27068G01		HORN SWITCH BOOT.....	1
65	609697		PLUNGER SWITCH.....	1
66	71055G01		ALUMINUM RIVET, 3/16" X 1" LG .....	2
67	00526G4		NUT, #10 - 32 .....	1
68	614497		RIGHT HEAD LIGHT ASSEMBLY.....	1
69	614501		LEFT HEADLIGHT ASSEMBLY .....	1
70	71597G01		SELF THREADING NUT .....	8
71				
72	618556		LED HEADLIGHT W/O TURN SIGNAL (PASSENGER SIDE).....	1
73	618555		LED HEADLIGHT W/O TURN SIGNAL (DRIVER SIDE) .....	1
74	00567G7		LOCK WASHER (EXTERNAL TOOTH TYPE), 1/4".....	1
75	00532G1		HEX NUT, 1/4" - 20.....	1
76	00439G1		HEX HEAD BOLT, 5/16" - 18 X 1 1/8" LG (NOT ILLUSTRATED) .....	1
77	75048G01		SPACER, .328" X .75" X .50" (NOT ILLUSTRATED) .....	1
78	11098G6		LOCK NUT, 5/16" - 18 (NOT ILLUSTRATED) .....	1
79				
80	31539G1		NYLON CLAMP (NOT ILLUSTRATED).....	1
81	00645G5		PAN HEAD PHILLIPS SCREW, #6 - 32 X .62" .....	2
82	14390G9		LOCK NUT, #6 -32 .....	2
83				
84				
85				
86				
87	622712		TURN SIGNAL KIT (INCLUDES ITEMS 89 - 93).....	1
88				
89	17618G1		NYLON CLAMP .....	2
90	20965G3		STEERING COLUMN COVER .....	1
91	611810		TURN SIGNAL SWITCH ASSEMBLY.....	1
92	619102		TURN SIGNAL ASSEMBLY BULB .....	2
93	32307G3		FLEX ZIP LOOM.....	1

When ordering parts, please specify the model and serial number of the product.

\* Indicates a component that is not available as an individual part.

\*\*\* Indicates consult Customer Service Department for additional information.

ITEM	PART NO.	1 2 3 4 5	DESCRIPTION	QTY.
94				
95				
96				
97				
98	619154		WIRE HARNESS (ACCESSORY) .....	1
99				
100	00568G6		LOCK WASHER, 3/4" .....	1
101	17137G1		FACE NUT, 3/4" - 20 .....	1
102				
103	612374		WIRE HARNESS (KEY SWITCH).....	1
104	17618G1		WIRE TIE .....	AR
105				
106	73030G04		PLATE (FUEL GAUGE AND OIL LIGHT) .....	1
107	71131G01		LABEL (OIL LIGHT AND FUEL GAUGE WITH HEADLIGHTS) .....	1
108	21553G1		FUEL GAUGE .....	1
109	23474G1		INDICATOR LIGHT .....	1
110	71081G01		HARNESS (OIL LIGHT/FUEL GAUGE).....	1
111	25978G122		18 GA WIRE (RED 6") .....	1
112				
113				
114	33623G02		DRIVE RIVET, 3/16" X 3/8" LG .....	2
115	74693G01		CONSOLE INSERT ASSEMBLY (INCLUDES ITEMS 116 - 118) .....	1
116	73522G03		CONSOLE INSERT PLATE.....	1
117				
118	20271G10		HOLE PLUG .....	1
119	74693G02		CONSOLE INSERT ASSEMBLY .....	1
120	33623G02		DRIVE RIVET, 3/16" X 3/8" LG .....	3
121	33639G01		IGNITION SWITCH W/LIGHT .....	1
122	33639G02		IGNITION SWITCH W/LIGHT (GROUP KEY) .....	1
123	33639G03		IGNITION SWITCH W/LIGHT (INDIVIDUAL) .....	1
124				

# ELECTRICAL

When ordering parts, please specify the model and serial number of the product.

\* Indicates a component that is not available as an individual part.

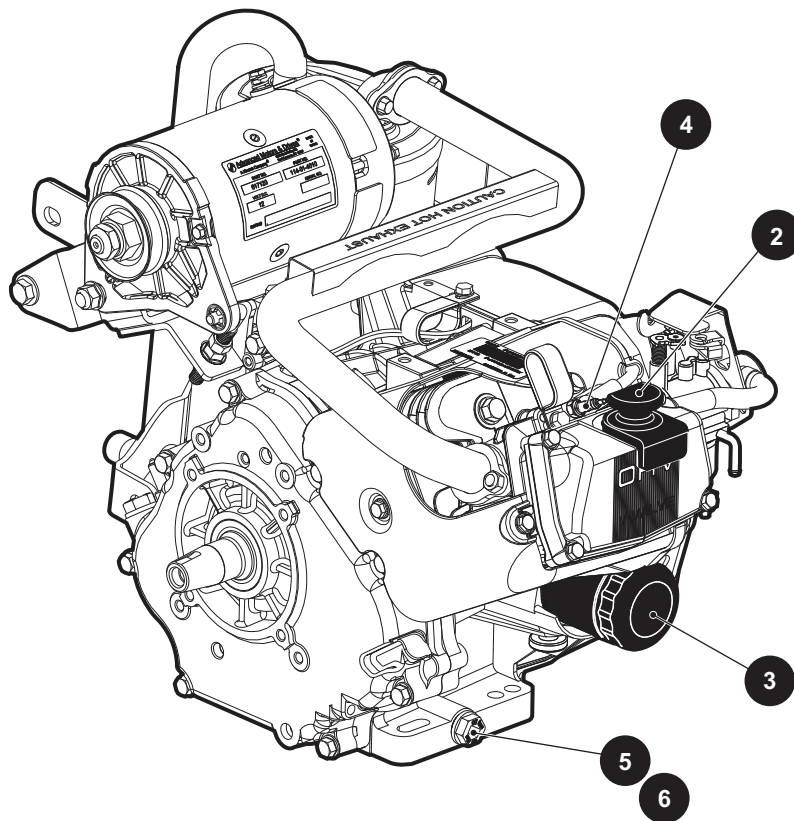
\*\*\* Indicates consult Customer Service Department for additional information.

ITEM	PART NO.	1 2 3 4 5	DESCRIPTION	QTY.
125	617074		HOUR METER .....	1
126	635649		HOUR METER BRACKET .....	1
127	606254		WIRE HARNESS (HOUR METER) .....	1
128				
129				
130	22288G1		TAIL LIGHT ASSEMBLY.....	1

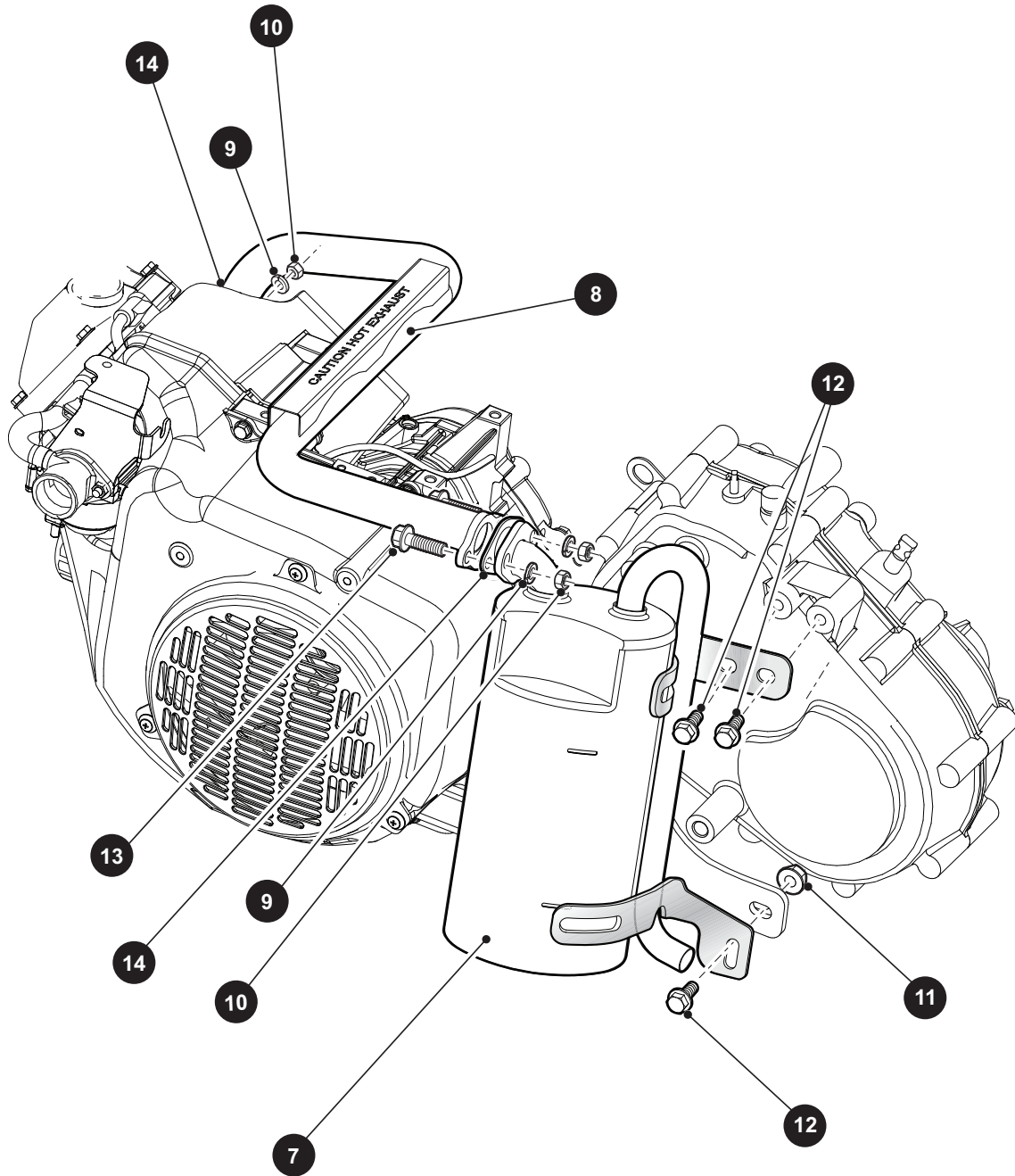


# ENGINE AND MUFFLER

1 ENGINE GAS, 13HP includes items 3 - 6

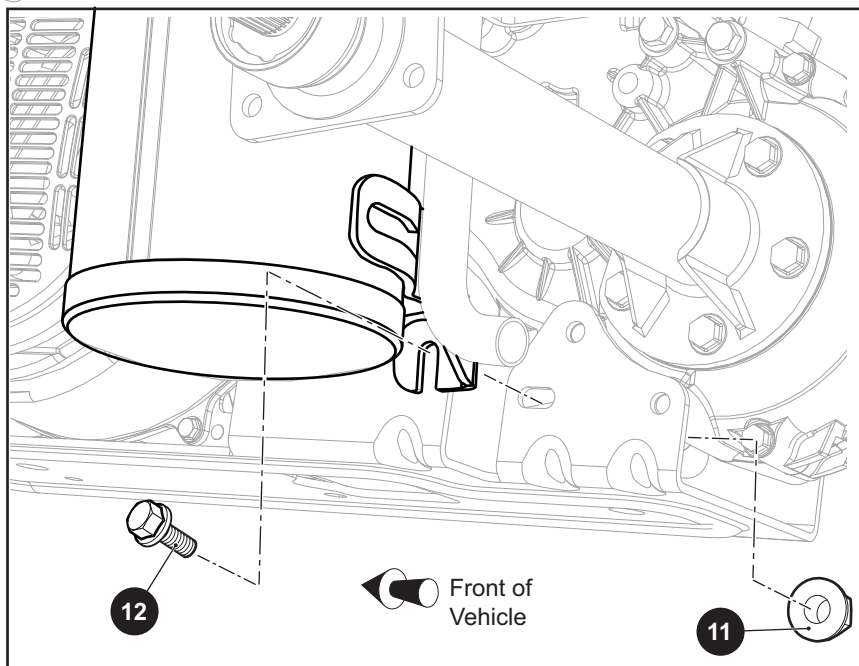
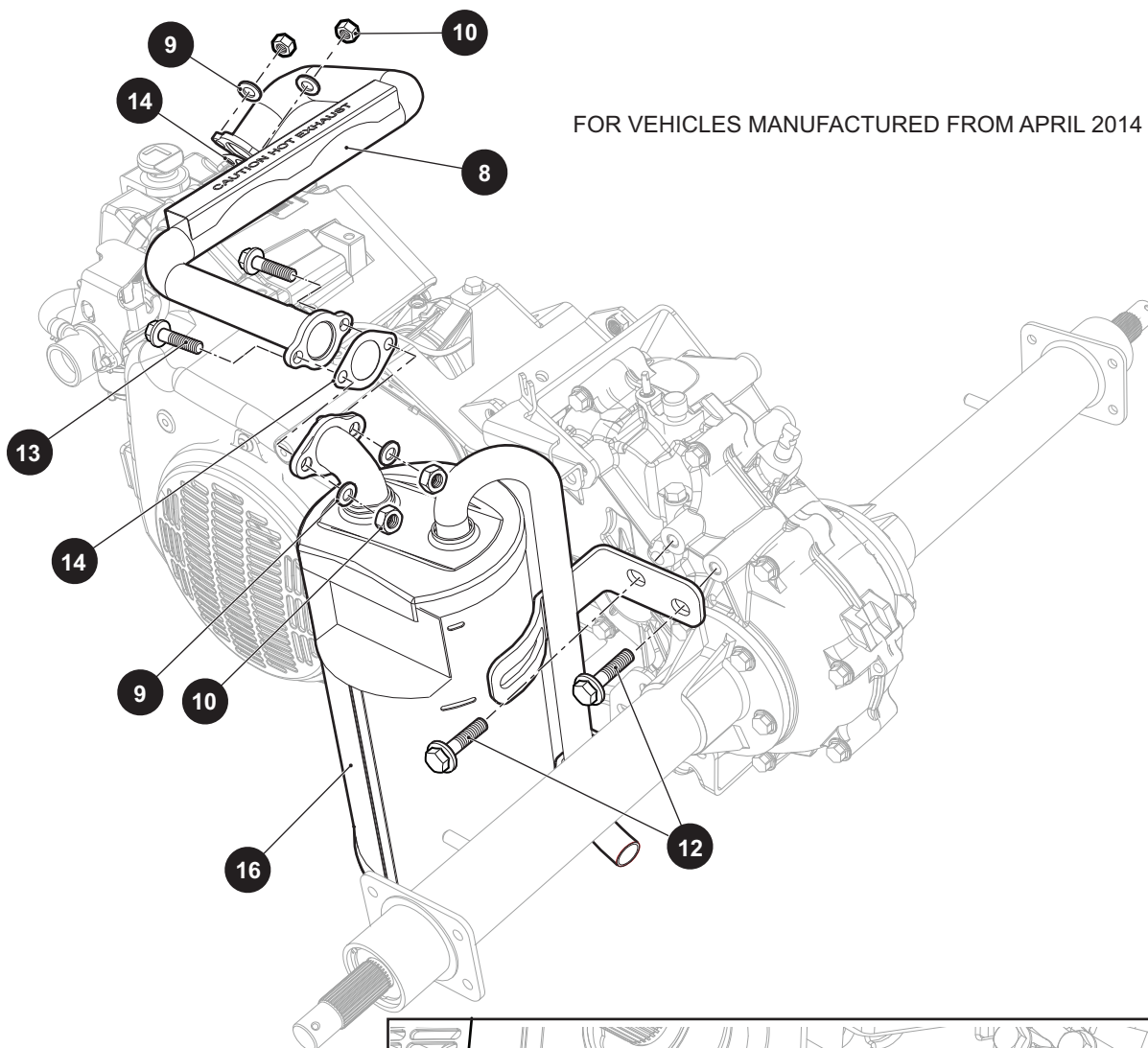






# ENGINE AND MUFFLER

FOR VEHICLES MANUFACTURED FROM APRIL 2014



# ENGINE AND MUFFLER

When ordering parts, please specify the model and serial number of the product.

\* Indicates a component that is not available as an individual part.

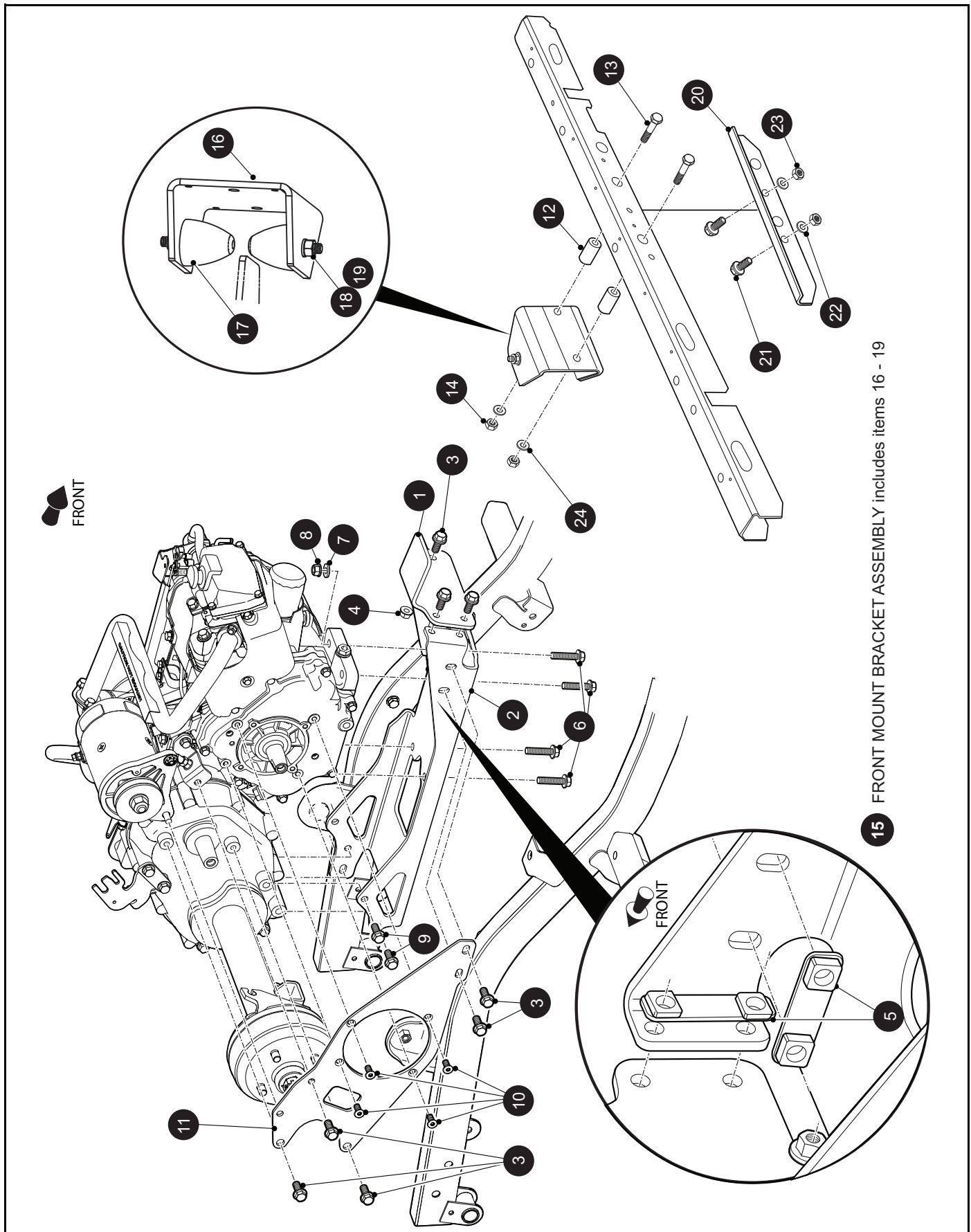
\*\*\* Indicates consult Customer Service Department for additional information.

ITEM	PART NO.	1 2 3 4 5	DESCRIPTION	QTY.
1	633740		ENGINE, GAS, 13HP, NON-GOLF (INCLUDES ITEMS 3 - 6) .....	1
2	606390		DIP STICK.....	1
3	607454		OIL FILTER.....	1
4	607462		SPARK PLUG (BPR2ES) .....	1
5	603557		OIL DRAIN PLUG .....	1
6	603562		'O' RING, 16MM.....	1
7	612266		MUFFLER .....	1
8	606982		EXHAUST PIPE .....	1
9	606272		SPLIT LOCK WASHER, 8MM.....	4
10	606267		HEX NUT, M8 X 1.25 .....	4
11	606279		HEX NUT, M10 - 1.25.....	1
12	606256		HEX HEAD BOLT, M10 - 1.25 X 25MM LG.....	3
13	602330		HEX HEAD BOLT, M8 - 1.25 X 30MM LG.....	2
14	603599		EXHAUST GASKET.....	2
15				
16	630970		MUFFLER (FOR VEHICLES MANUFACTURED FROM APRIL 2014) .....	1

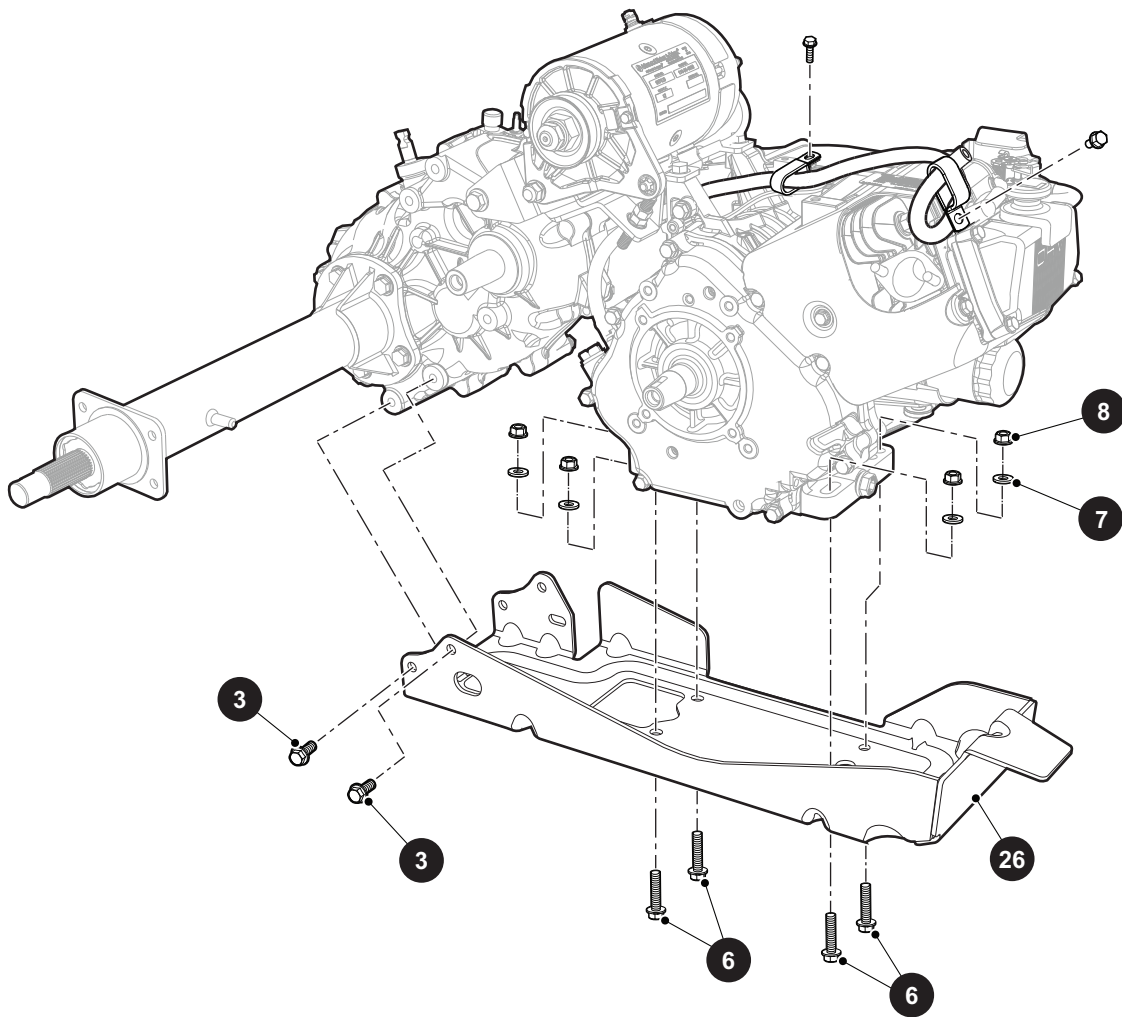




# ENGINE MOUNTING



FOR VEHICLES MANUFACTURED FROM APRIL 2014



# ENGINE MOUNTING

When ordering parts, please specify the model and serial number of the product.

\* Indicates a component that is not available as an individual part.

\*\*\* Indicates consult Customer Service Department for additional information.

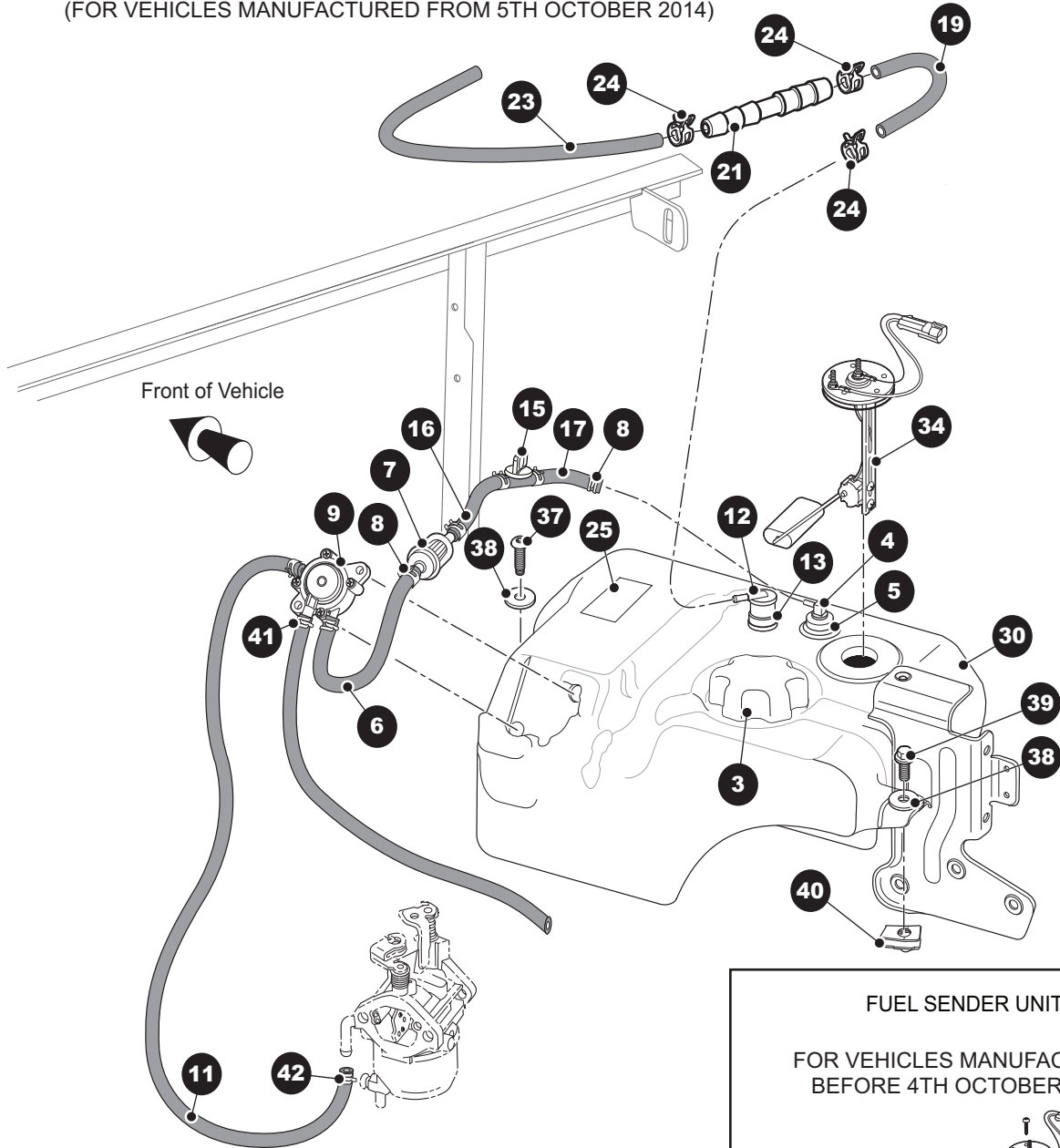
ITEM	PART NO.	1	2	3	4	5	DESCRIPTION	QTY.
1	606007						FRONT ENGINE MOUNT .....	1
2	603101						ENGINE PAN MOUNT .....	1
3	606256						HEX HEAD FLANGE BOLT, M10 - 1.25 X 25MM LG.....	8
4	606279						HEX NUT, M10 - 1.25 .....	1
5	606096						NUT PLATE .....	2
6	606259						HEX HEAD FLANGE BOLT, M10 - 1.25 X 45MM LG.....	4
7	603823						FLAT WASHER, M10 X 22 - 2.5.....	4
8	606279						HEX NUT, M10 - 1.25 .....	4
9	608020						HEX HEAD FLANGE BOLT, M10 - 1.25 X 34MM LG.....	4
10	606246						FLAT HEAD TORX SCREW, M8 - 1.25 X 20MM .....	4
11	602146						DIFFERENTIAL PLATE .....	1
12	72016G01						TUBE SPACER .....	2
13	00428G8						HEX HEAD BOLT, 3/8" - 16 X 2.75" LG.....	2
14	11098G5						PLASTIC INSERT LOCK NUT, 3/8" - 16 .....	2
15	627627						FRONT MOUNT BRACKET ASSEMBLY (INCLUDES ITEMS 16 - 19) .....	1
16	625345						FRONT MOUNT BRACKET.....	1
17	605757						RUBBER BUMPER.....	2
18	00974G01						HEX NUT, M10 X 1.5 .....	2
19	608654						SPLIT LOCK WASHER, 10MM.....	2
20	70269G02						CROSSMEMBER BRACE.....	1
21	00438G7						HEX HEAD BOLT, 5/16" - 18 X 7/8" LG.....	2
22	00559G8						FLAT WASHER, 5/16" .....	2
23	01109G01						LOCK NUT, 5/16" - 18 .....	2
24	00643G1						FLAT WASHER, 3/8" X 1 X .063" LG .....	2
25								
26	630776						ENGINE PAN (FOR VEHICLES MANUFACTURED FROM APRIL 2014) .....	1





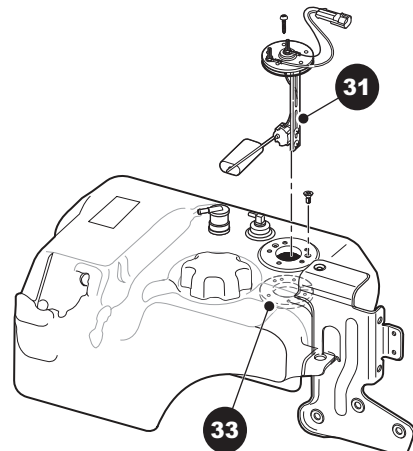
# FUEL SYSTEM

- 2** CARB FUEL TANK ASSEMBLY (WITH SENDING UNIT) includes items 3 - 30, 34, 41  
(FOR VEHICLES MANUFACTURED FROM 5TH OCTOBER 2014)



## FUEL SENDER UNIT

FOR VEHICLES MANUFACTURED  
BEFORE 4TH OCTOBER 2014



# FUEL SYSTEM

When ordering parts, please specify the model and serial number of the product.

\* Indicates a component that is not available as an individual part.

\*\*\* Indicates consult Customer Service Department for additional information.

ITEM	PART NO.	1 2 3 4 5	DESCRIPTION	QTY.
1				
2	621021		CARB FUEL TANK ASSEMBLY (WITH SENDING UNIT) (INCLUDES ITEMS 3 - 30, 34, 41) ..... (FOR VEHICLES MANUFACTURED FROM 5TH OCTOBER 2014)	1
3	635688		FUEL TANK CAP RATCHET .....	1
4	635539		SIPHON TUBE, SHORT .....	1
5	70988G01		SIPHON TUBE GROMMET .....	1
6	615121		FUEL HOSE, 10" LG .....	1
7	72084G01		FUEL LINE FILTER .....	1
8	18292G1		TUBING CLAMP .....	7
9	602061		FUEL PUMP .....	1
10				
11	615122		FUEL HOSE, 648 MM .....	1
12	606067		ROLLOVER VALVE .....	1
13	606068		ROLLOVER VALVE GROMMET .....	1
14				
15	611181		SHUT-OFF VALVE.....	1
16	615124		FUEL HOSE, 45MM .....	1
17	615120		FUEL HOSE, 6" .....	1
18				
19	606966		HOSE, 3/16" I.D x 34" .....	1
20				
21	615346		HOSE REDUCER I.D 1/4" X 3/16 .....	1
22				
23	615350		FUEL HOSE, 2" .....	1
24	606963		HOSE TUBING CLAMP, 3/16" I.D .....	2
25	625826		FUEL TANK LABEL, EPA .....	1
26				
27				
28				
29				
30	637493		NON FLUOR FUEL TANK (WITH SENDING UNIT).....	1

# FUEL SYSTEM

When ordering parts, please specify the model and serial number of the product.

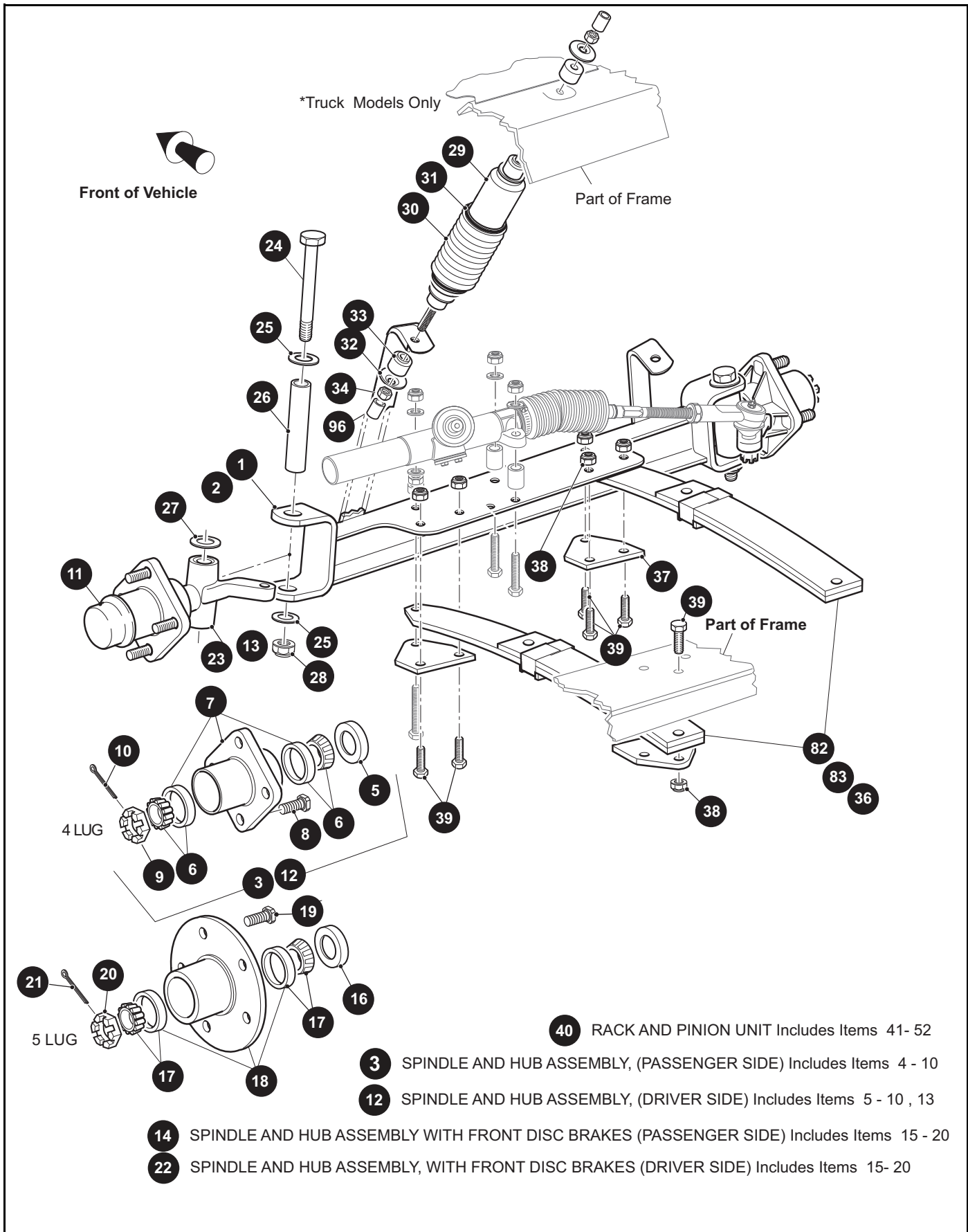
\* Indicates a component that is not available as an individual part.

\*\*\* Indicates consult Customer Service Department for additional information.

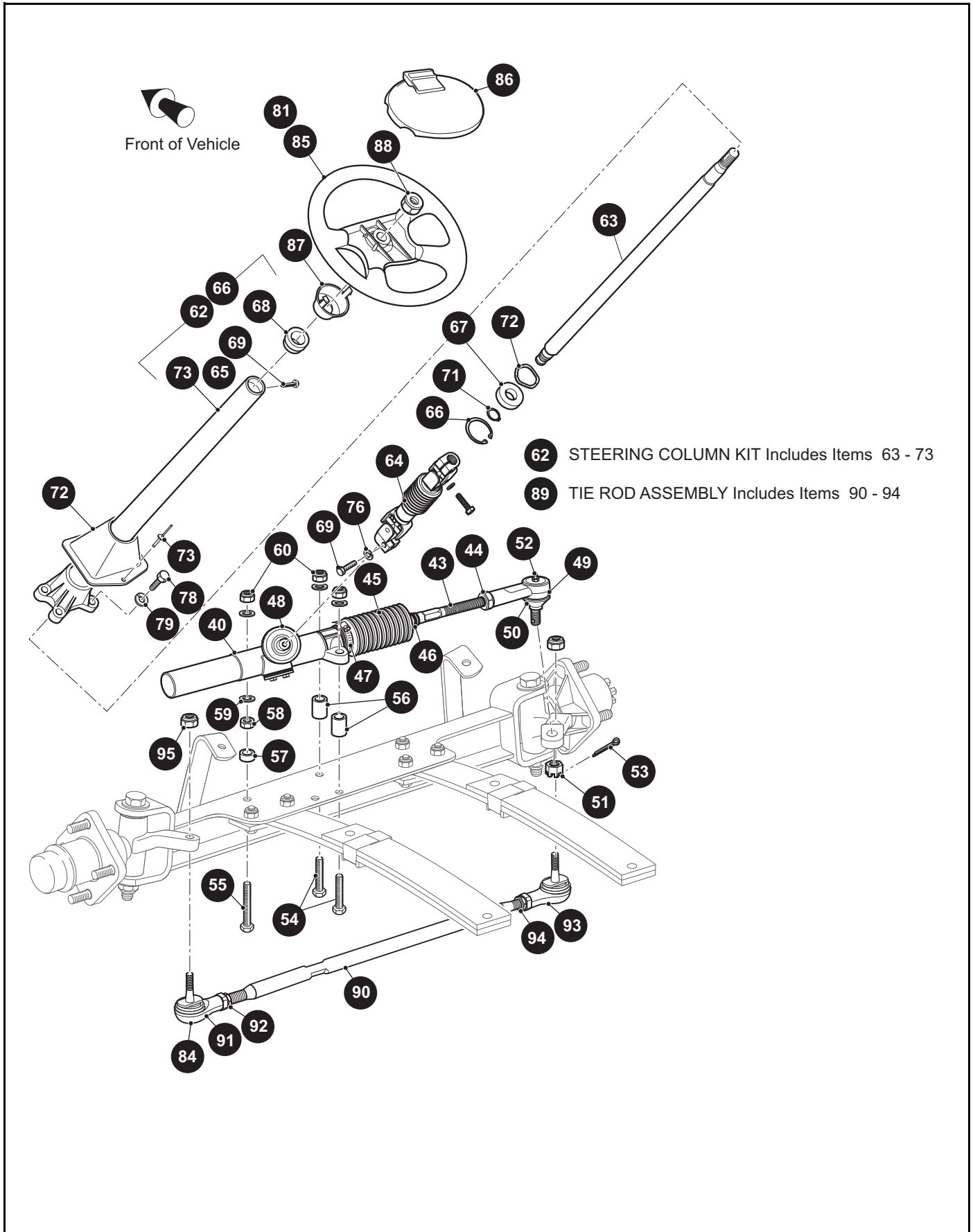
ITEM	PART NO.	1 2 3 4 5	DESCRIPTION	QTY.
31	604188		FUEL LEVEL SENDER .....	1
32				
33	72229G01		FUEL LEVEL SENDER ADAPTER .....	1
34	633024G01		PRESS FIT FUEL SENDER .....	1
35				
36				
37	605957		SCREW M8 BOSS .....	1
38	604066		FLAT WASHER, M10, 10.5 X 30 .....	2
39	603799		HEX HEAD BOLT, M10 - 1.5 X 25MM LG .....	1
40	603818		BARREL CLIP NUT, M10 - 1.5 .....	1
41	18292G1		TUBING CLAMP .....	9
42	11391G4		HOSE CLAMP, .25" .....	1



# FRONT SUSPENSION / STEERING



# FRONT SUSPENSION / STEERING



# FRONT SUSPENSION / STEERING

When ordering parts, please specify the model and serial number of the product.

\* Indicates a component that is not available as an individual part.

\*\*\* Indicates consult Customer Service Department for additional information.

ITEM	PART NO.	1 2 3 4 5	DESCRIPTION	QTY.
1	602513		FRONT AXLE .....	1
2	602327		FRONT AXLE WITH FRONT DISC BRAKES .....	1
3	70942G03		SPINDLE AND HUB ASSEMBLY, 4 LUG (PASSENGER SIDE) (INCLUDES ITEMS 4 - 10).....	1
4	70942G04		SPINDLE ASSEMBLY (PASSENGER SIDE).....	1
5	25146G1		GREASE SEAL.....	1
6	50892G1		ROLLER BEARING AND RACE ASSEMBLY .....	2
7	70589G01		WHEEL HUB ASSEMBLY WITH RACES, 4 LUG (INCLUDES ITEM 8) ..	1
8	19862G1		LUG BOLT, 1/2 - 20 X 1 3/16" LG.....	4
9	12093G1		CASTELLATED NUT, 1 - 14.....	1
10	00798G8		COTTER PIN, 5/32" X 1 3/4" LG.....	1
11	12091G2		SPINDLE CAP .....	2
12	70673G03		SPINDLE AND HUB ASSEMBLY, 4 LUG (DRIVER SIDE) (INCLUDES ITEMS 5 - 10, 13).....	1
13	70673G04		SPINDLE ASSEMBLY (DRIVER SIDE) .....	1
14	602288		SPINDLE AND HUB ASSEMBLY WITH FRONT DISC BRAKES (PASSENGER SIDE)(INCLUDES ITEMS 15 - 20).....	1
15				
16	12092G1		GREASE SEAL.....	1
17	50892G1		ROLLER BEARING AND RACE ASSEMBLY .....	2
18	74673G01		WHEEL HUB ASSEMBLY WITH RACES, (INCLUDES ITEM 19).....	1
19	30143G1		LUG BOLT, 1/2 - 20 X 1 7/32" LG .....	5
20	12093G1		CASTELLATED NUT, 1 - 14.....	1
21	00798G8		COTTER PIN, 5/32" X 1 3/4" LG.....	1
22	602281		SPINDLE AND HUB ASSEMBLY, WITH FRONT DISC BRAKES (DRIVER SIDE)(INCLUDES ITEMS 15 - 20) .....	1
23				
24	00407G6		BOLT, 1/2 - 13 X 6" LG .....	2
25	00560G3		FLAT WASHER, 1/2" .....	4
26	70745G01		KING PIN TUBE .....	2
27	70754G01		THRUST WASHER (SS), 1" .....	2
28	14390G6		LOCK NUT, 1/2 - 13.....	2
29	76419G01		SHOCK ABSORBER.....	2



# FRONT SUSPENSION / STEERING

When ordering parts, please specify the model and serial number of the product.

\* Indicates a component that is not available as an individual part.

\*\*\* Indicates consult Customer Service Department for additional information.

ITEM	PART NO.	1 2 3 4 5	DESCRIPTION	QTY.
30	70509G01		SHOCK ABSORBER BOOT .....	2
31	31539G1		WIRE TIE .....	4
32	10435G1		SHOCK ABSORBER WASHER.....	8
33	10194G1		RUBBER BUSHING .....	8
34	00532G6		NUT, 3/8 - 24.....	4
35				
36	70664G03		LEAF SPRING (HEAVY DUTY) (SEE PART NUMBER ON SPRING).....	2
37	70163G03		SPRING PLATE .....	4
38	00734G1		LOCK NUT, 7/16 - 14 .....	16
39	00463G11		BOLT, 7/16 - 14 X 1 3/4" LG.....	11
40	70964G01		RACK AND PINION UNIT (COMPLETE) (INCLUDES ITEMS 41 - 52).....	1
41	70965G01		STEERING RACK COVER & BEARING .....	1
42	*		STEERING BOX INSTALLATION TAG .....	1
43	70694G01		RACK EXTENSION.....	1
44	*		JAM NUT, 1/2 - 20 .....	1
45	70961G01		RACK BOOT .....	1
46	12416G2		WIRE TIE.....	1
47	11391G8		CLAMP, 1 13/16 - 2 3/8" .....	1
48	70638G01		PINION SEAL .....	1
49	70695G01		TIE ROD END - OUTER .....	1
50	*		GROMMET - TIE ROD END .....	1
51	*		CASTELLATED NUT, 7/16 - 20 .....	1
52	10389G3		GREASE FITTING, STRAIGHT .....	1
53	10387G2		COTTER PIN, 3/32" X 1" LG.....	1
54	00464G8		BOLT, 7/16 - 14 X 2 3/4" LG.....	2
55	01068G01		BOLT, 7/16 - 14 X 3 1/2" LG.....	1
56	70667G02		STEERING HOUSING SPACER .....	2
57	70667G04		SPACER, STEERING HOUSING .....	1
58	00532G7		NUT, 7/16 - 14.....	1
59	00560G2		FLAT WASHER, 7/16".....	7
60	00734G1		LOCK NUT, 7/16 - 14 .....	3

# FRONT SUSPENSION / STEERING

When ordering parts, please specify the model and serial number of the product.

\* Indicates a component that is not available as an individual part.

\*\*\* Indicates consult Customer Service Department for additional information.

ITEM	PART NO.	1	2	3	4	5	DESCRIPTION	QTY.
61								
62	70758G05						STEERING COLUMN KIT (INCLUDES ITEMS 63 - 73) .....	1
63	70607G01						STEERING SHAFT .....	1
64	70580G01						INTERMEDIATE SHAFT .....	1
65	70888G01						EXTERNAL RETAINING RING .....	1
66	70751G01						INTERNAL RETAINING RING .....	1
67	15112G1						BALL BEARING .....	1
68	28569G01						BUSHING .....	1
69	01055G01						SCREW M8 .....	1
70	00565G8						LOCK SPRING WASHER .....	1
71	01022G01						HEX HEAD SCREW .....	1
72	70887G01						WAVE WASHER .....	1
73	70610G03						STEERING COLUMN ASSEMBLY .....	1
74								
75	01055G01						BOLT, M8 X 1.25 - 05 .....	2
76	00565G8						LOCK WASHER, 5/16" .....	2
77								
78	01006G01						BOLT, 3/8 - 16 X 1 1/4" LG .....	4
79	00879G1						LOCK WASHER, 3/8" .....	4
80								
81								
82	74731G02						SPRING PLATE, RIGHT .....	1
83	74731G01						SPRING PLATE, LEFT .....	1
84	74730G01						LINK ROAD ASSEMBLY .....	2
85	602979						STEERING WHEEL .....	1
86	607925						CLIPBOARD .....	1
87	71949G01						HUB COVER .....	1
88	14390G2						LOCK NUT, 5/8 - 18 .....	1
89	70876G02						TIE ROD ASSEMBLY (INCLUDES ITEMS 90 - 94) .....	1
90	70897G02						THREADED ROD (24" LG) .....	1
91	70902G01						TIE ROD END (LEFT HAND THREADS) .....	1

# FRONT SUSPENSION / STEERING

When ordering parts, please specify the model and serial number of the product.

\* Indicates a component that is not available as an individual part.

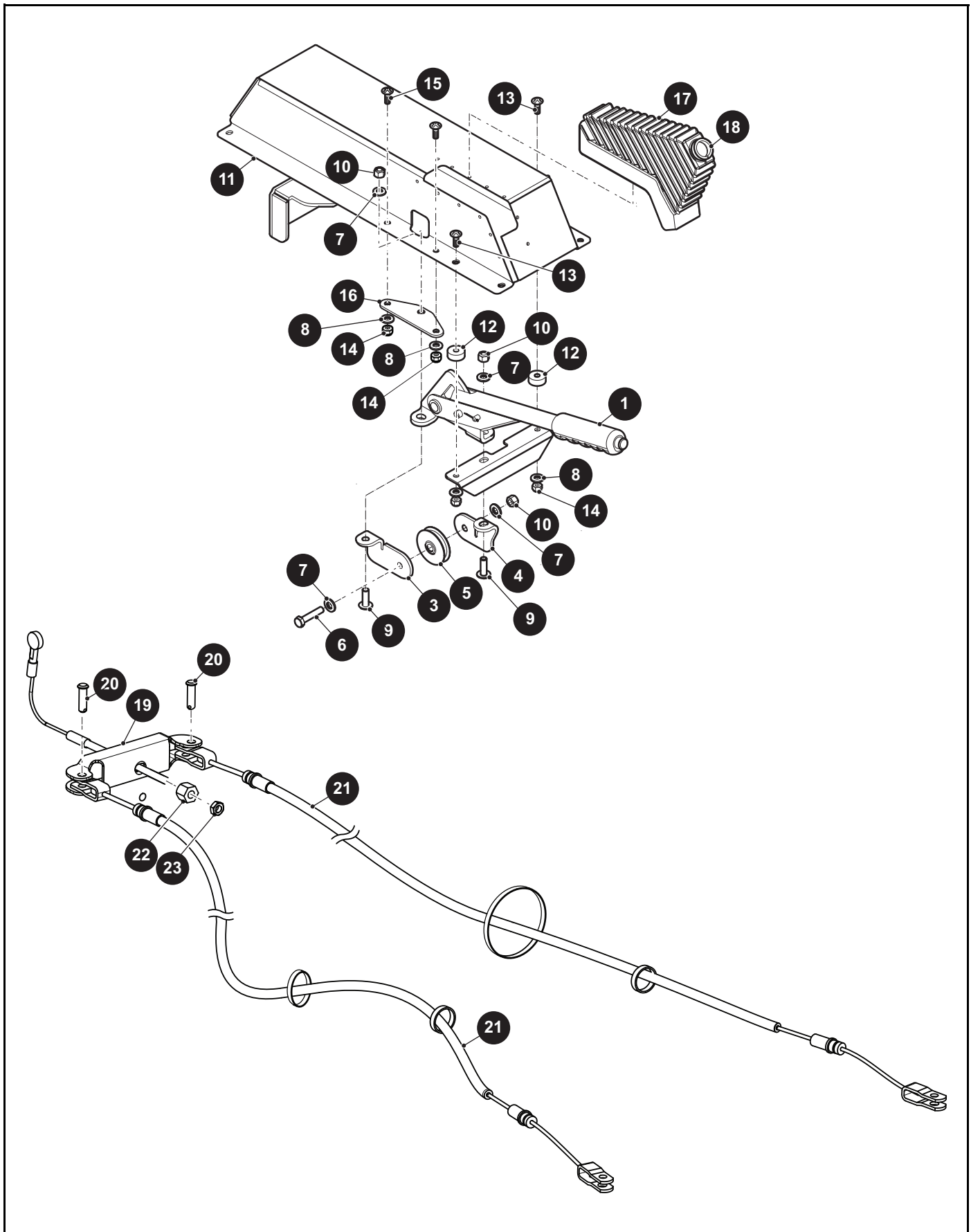
\*\*\* Indicates consult Customer Service Department for additional information.

ITEM	PART NO.	1 2 3 4 5	DESCRIPTION	QTY.
92	01069G01		JAM NUT, M12 X 1.25 - 05 (LEFT HAND THREADS) .....	1
93	70902G02		TIE ROD END (RIGHT HAND THREADS) .....	1
94	01069G02		JAM NUT, M12 X 1.25 - 05 (RIGHT HAND THREADS).....	1
95	01084G01		NYLON NUT, M10.....	2
96	10044G01		VINYL CAP .....	4





# PARKING BRAKE



# PARKING BRAKE

When ordering parts, please specify the model and serial number of the product.

\* Indicates a component that is not available as an individual part.

\*\*\* Indicates consult Customer Service Department for additional information.

ITEM	PART NO.	1 2 3 4 5	DESCRIPTION	QTY.
1	75791G03		PARK BRAKE LEVER ASSEMBLY .....	1
2	75594G01		BRACKET .....	1
3	75768G01		PULLY MOUNT RH.....	1
4	75769G01		PULLY MOUNT LH .....	1
5	75789G01		PULLY BRAKE CABLE .....	1
6	00439G4		SCREW, 5/16 - 18 X 1.50 .....	1
7	00559G8		FLAT WASHER, 5/16 .....	4
8	00559G7		FLAT WASHER, 1/4 .....	4
9	00976G08		SCREW, 5/16 - 18 X 1 .....	2
10	11098G6		LOCK NUT, 5/16 - 18 .....	4
11	609767		CONSOLE COVER.....	1
12	23726G12		SPACER, 1" .....	2
13	16705G1		SCREW, 1/4 - 20 X 1 .....	2
14	14390G4		LOCK NUT, 1/4 - 20 .....	1
15	16705G3		SCREW, 1/4 - 20 X 0.75" .....	2
16	75773G01		PARK BRAKE SUPPORT PLATE .....	1
17	75821G01		PARK BRAKE BOOT .....	1
18	17618G01		NYLONE CLAMP .....	1
19	75499G01		EQUALIZER BRACKET .....	1
20	14443G3		CLIEVIS PIN, 5/16 - 1 .....	2
21	620414		BRAKE CABLE ASSEMBLY .....	1
22	00963G01		SPHERICAL NUT, 5/16 - 24.....	1
23	00544G4		HEX NUT, 5/16 - 24.....	1

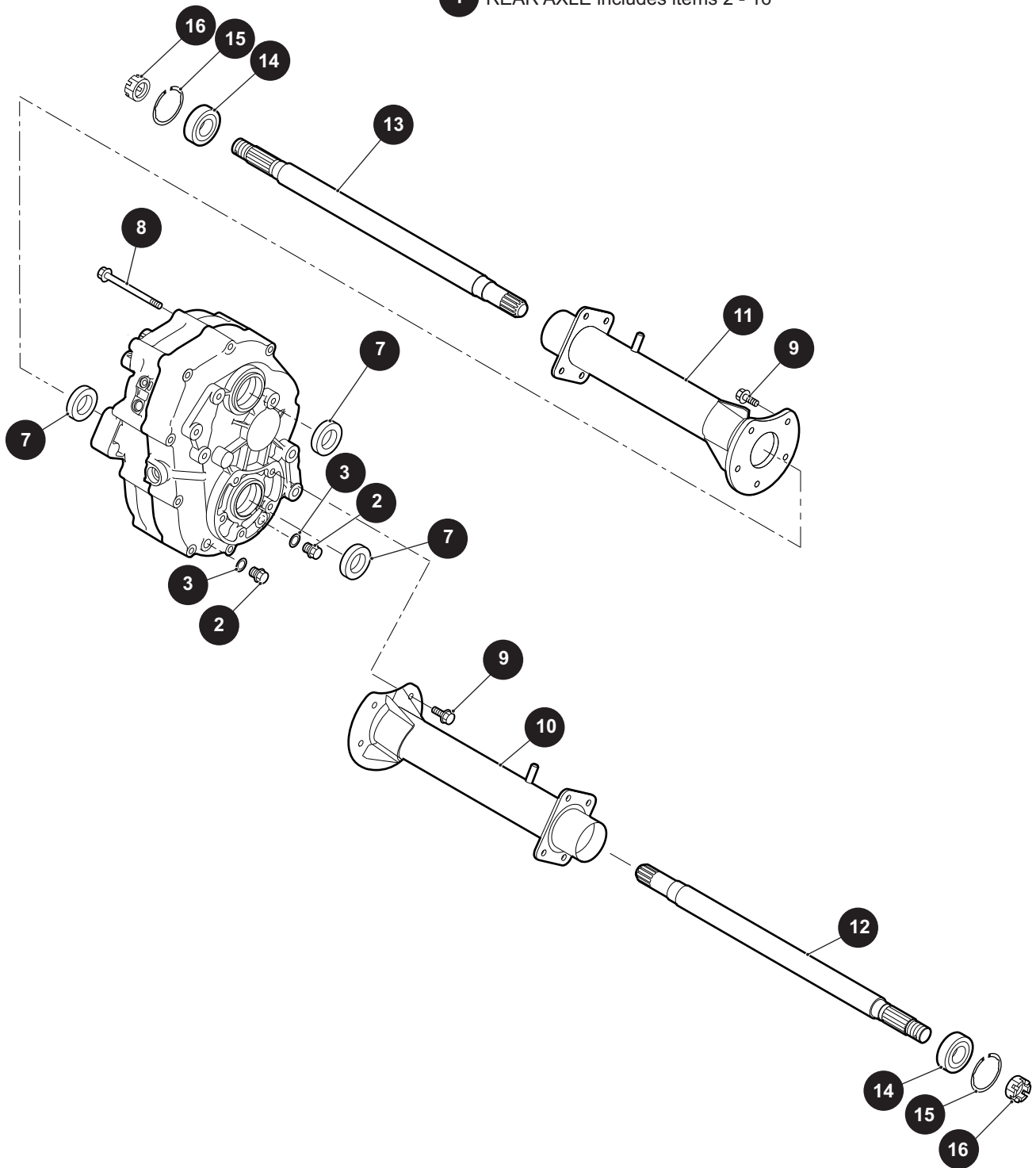




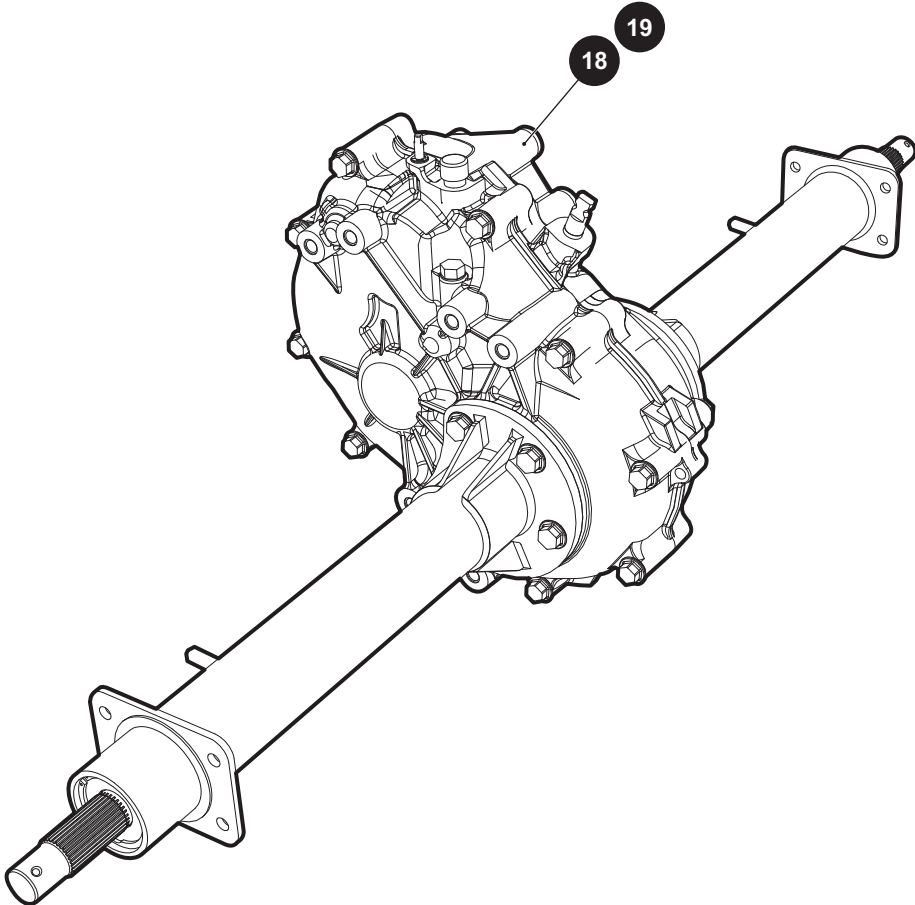


# REAR AXLE

1 REAR AXLE includes items 2 - 16



FOR VEHICLES MANUFACTURED FROM APRIL 2014



# REAR AXLE

When ordering parts, please specify the model and serial number of the product.

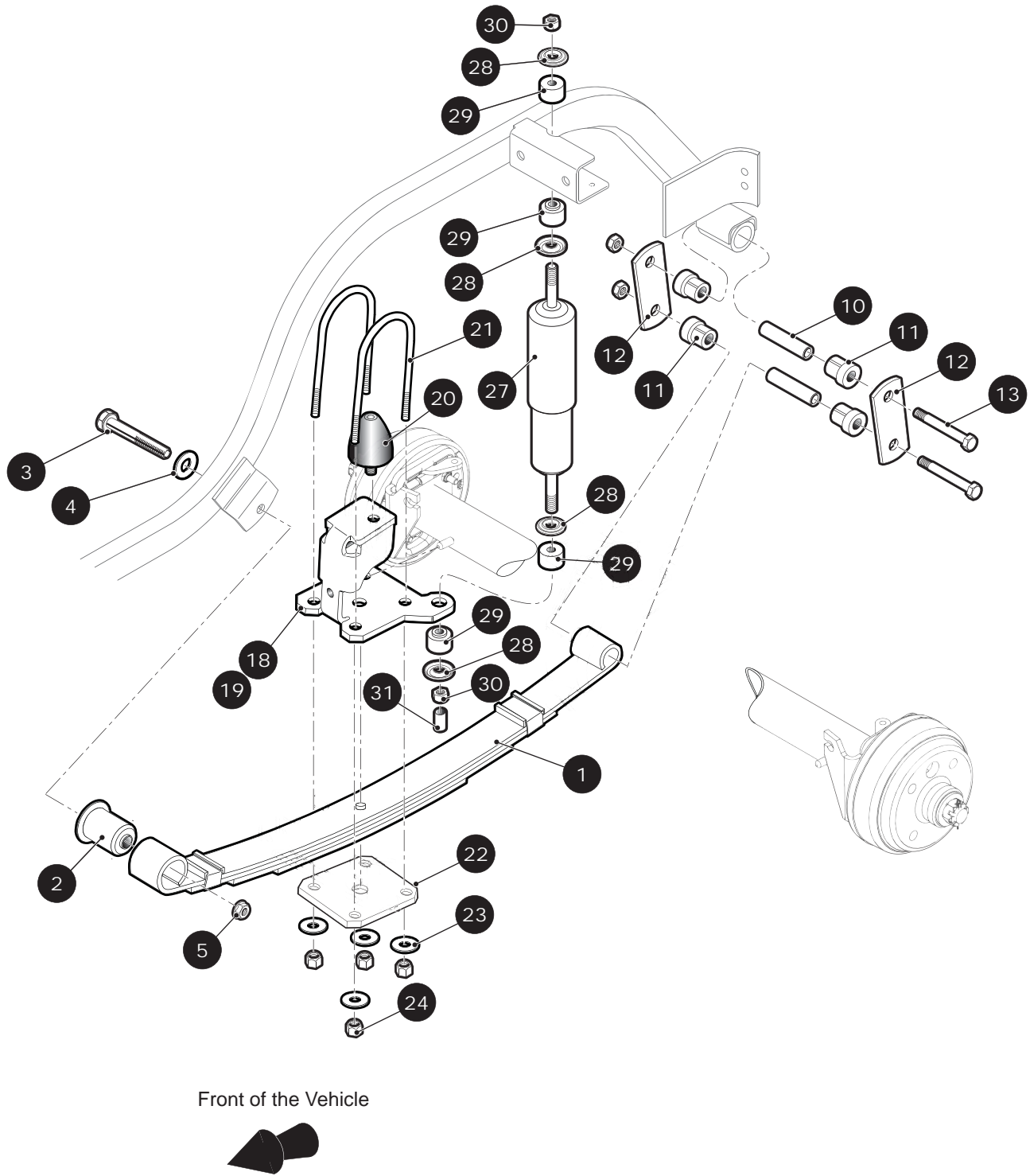
\* Indicates a component that is not available as an individual part.

\*\*\* Indicates consult Customer Service Department for additional information.

ITEM	PART NO.	1 2 3 4 5	DESCRIPTION	QTY.
1	627891		REAR AXLE (INCLUDES ITEMS 2 - 16).....	1
2	26770G01		OIL DRAIN PLUG .....	2
3	26771G01		GASKET, 14 MM.....	2
4				
5				
6				
7	72259G01		OIL SEAL 28 X 47 X 9 MM .....	3
8	26823G01		FLANGED HEX HEAD BOLT, M8 X 1.25 X 100MM LG .....	10
9	72260G01		FLANGED HEX HEAD BOLT, M10 X 1.5 X 23MM LG .....	10
10	607940		AXLE TUBE (PASSENGER SIDE) .....	1
11	607939		AXLE TUBE (DRIVER SIDE) .....	1
12	607946		AXLE SHAFT (PASSENGER SIDE) .....	1
13	607945		AXLE SHAFT (DRIVER SIDE).....	1
14	26811G01		BALL BEARING .....	2
15	26814G01		SNAP RING, 52 MM.....	2
16	606403		SLOTTED NUT, M22 X 1.5 .....	2
17				
18	632513		REAR AXLE, 11.47:1 (FOR VEHICLES MANUFACTURED FROM APRIL 2014).....	1
19	637674		REAR AXLE, WITH LSD, 11:47.1 (FOR VEHICLES MANUFACTURED FROM APRIL 2014).....	1



# REAR SUSPENSION



# REAR SUSPENSION

When ordering parts, please specify the model and serial number of the product.

\* Indicates a component that is not available as an individual part.

\*\*\* Indicates consult Customer Service Department for additional information.

ITEM	PART NO.	1 2 3 4 5	DESCRIPTION	QTY.
1	620413		HEAVY DUTY LEAF SPRING.....	2
2	605445		LEAF SPRING BUSHING, FRONT.....	2
3	00665G9		HEX HEAD BOLT, SS 3/8" - 16 X 3.5 LG.....	6
4	00643G1		FLAT WASHER, .411 I.D. X 1.00 O.D. X .06.....	10
5	12262G1		FLANGED LOCK NUT, 3/8" - 16.....	2
6				
7				
8				
9				
10	70289G02		SPLIT STEEL SPACER.....	4
11	624030		FLANGED BUSHING.....	8
12	70290G02		SHACKLE PLATE.....	4
13	00665G9		HEX HEAD BOLT, SS 3/8" - 16 X 3.5 LG.....	4
14	11098G5		LOCK NUT, 3/8" - 16.....	4
15				
16				
17				
18	605952		AXLE BRACKET, DRIVER SIDE.....	1
19	605959		AXLE BRACKET, PASSTENGER SIDE.....	1
20	70492G01		RUBBER BUMPER.....	2
21	32195G3		U-BOLT, 3/8" - 16 X 5" X 2.875" X 2".....	4
22	605956		REAR SUSPENSION PLATE.....	2
23	00643G1		FLAT WASHER, .411 I.D. X 1.00 O.D. X .06.....	8
24	11098G5		LOCK NUT, 3/8" - 16.....	8
25				
26				
27	611221		SHOCK ABSORBER.....	2
28	10435G1		SHOCK ABSORBER WASHER.....	8
29	10194G1		RUBBER SHOCK BUSHING.....	8
30	00532G6		HEX NUT, 3/8" - 24.....	4
31	10044G01		VINYL CAP.....	2

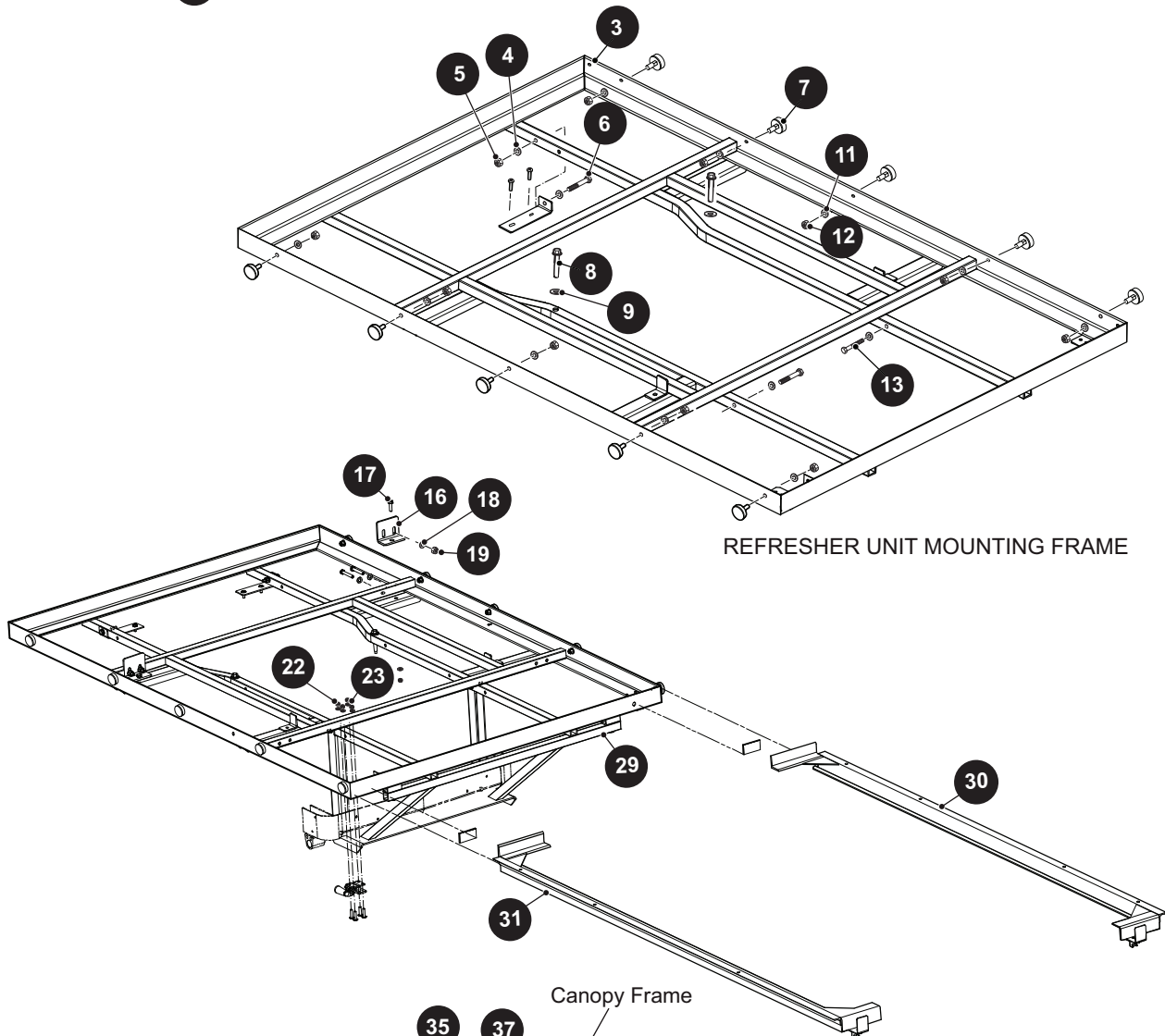




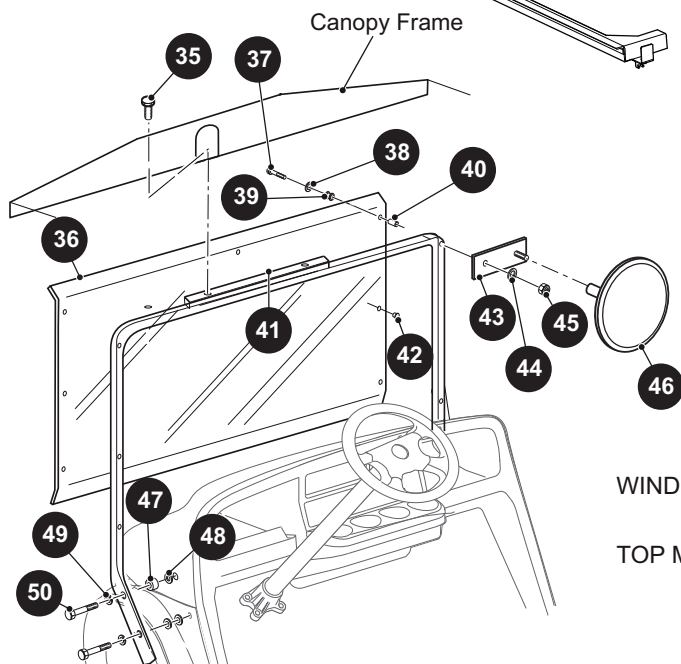


# REFRESHER UNIT

1 REFRESHER FRAME ASSEMBLY includes items 3 - 31



REFRESHER UNIT MOUNTING FRAME



WINDSHIELD, MIRROR AND  
TOP MOUNTING PLATE

# REFRESHER UNIT

When ordering parts, please specify the model and serial number of the product.

\* Indicates a component that is not available as an individual part.

\*\*\* Indicates consult Customer Service Department for additional information.

ITEM	PART NO.	1 2 3 4 5	DESCRIPTION	QTY.
1	74434G01		REFRESHER FRAME ASSEMBLY (INCLUDES ITEMS 3 - 31) .....	1
2				
3	611694		REFRESHER UNIT MOUNTING FRAME .....	1
4	00559G8		FLAT WASHER, 5/16" .....	34
5	11098G6		LOCK NUT, 5/16" - 18 .....	24
6	00439G8		HEX HEAD CAP SCREW, 5/16" - 18 X 2" LG .....	8
7	609275		ROLLER, REFRESHER MOUNTING .....	10
8	01075G01		HEX WASHER HEAD SCREW, 3/8" - 16 X 2 1/2" LG .....	2
9	00571G3		FLAT WASHER, 3/8" .....	2
10				
11	00559G8		FLAT WASHER, 5/16" .....	34
12	11098G6		LOCK NUT, 5/16" - 18 .....	24
13	14390G4		LOCK NUT, 1/4" - 20 .....	8
14				
15				
16	609288		STOP ANGLE .....	2
17	00438G8		HEX HEAD CAP SCREW, 5/16" - 18 X 5/8" LG .....	2
18	00559G8		FLAT WASHER, 5/16" .....	34
19	11098G6		LOCK NUT, 5/16" - 18 .....	24
20				
21				
22	00654G2		LOCK NUT (SS), 1/4" - 20 .....	12
23	00559G7		FLAT WASHER, 1/4" .....	12
24				
25				
26				
27				
28				
29	609292		REAR SUPPORT .....	1
30	611507		REFRESHER FRAME (PASSENGER SIDE) .....	1
31	611509		REFRESHER FRAME (DRIVER SIDE) .....	1

# REFRESHER UNIT

When ordering parts, please specify the model and serial number of the product.

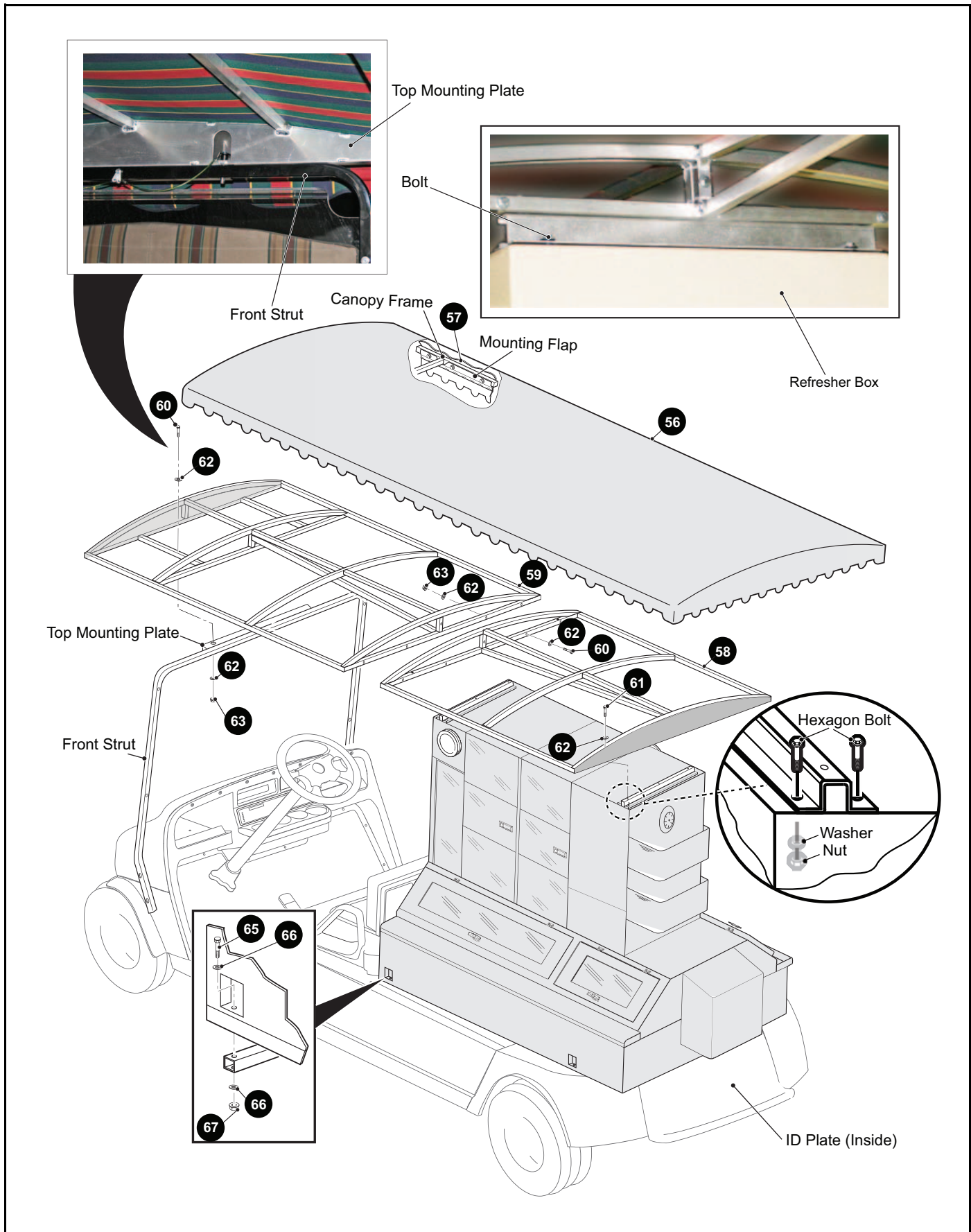
\* Indicates a component that is not available as an individual part.

\*\*\* Indicates consult Customer Service Department for additional information.

ITEM	PART NO.	1	2	3	4	5	DESCRIPTION	QTY.
32								
33								
34								
35	16705G6						TRUSS HEAD MACHINE SCREW, 1/4" - 20 X 1 1/2" LG .....	2
36	75021G03						WINDSHIELD.....	1
37	16705G6						TRUSS HEAD MACHINE SCREW, 1/4" - 20 X 1 3/4" LG .....	4
38	00660G7						FLAT WASHER, 1/4".....	8
39	72147G01						RUBBER GROMMET .....	4
40	23726G7						SPACER, .298".....	4
41	75045G06						FRONT STRUT.....	1
42	75124G01						BUMPER.....	2
43	74203G02						MIRROR MOUNTING BRACKET .....	2
44	75124G01						BUMPER.....	2
45	14390G4						LOCK NUT, 1/4" - 20.....	4
46	74202G01						MIRROR, 6" .....	2
47	75048G01						SPACER.....	2
48	00879G1						FLAT WASHER, 3/8" X 1".....	6
49	00565G8						LOCK WASHER (SPRING TYPE), 5/16".....	4
50	01035G02						HEX WASHER HEAD BOLT, 5/16" - 18 X 2 1/2" LG .....	4
51								
52								
53								
54								
55								



# REFRESHER UNIT



# REFRESHER UNIT

When ordering parts, please specify the model and serial number of the product.

\* Indicates a component that is not available as an individual part.

\*\*\* Indicates consult Customer Service Department for additional information.

ITEM	PART NO.	1 2 3 4 5	DESCRIPTION	QTY.
			<b>THE FOLLOWING SERVICE PARTS AND ACCESORIES ARE AVAILABLE FROM 19TH HOLE MARKETING, INC, 400 E. COMSTOCK DRIVE, CHANDLER, AZ 85225, PHONE: (480) 497 - 8280</b>	
56	611809		CANOPY .....	1
57	H1092		SELF TAPPING SCREW, 10MM X 1/2" LG .....	40
58	EZRAM10060		CANOPY FRAME (REAR) .....	1
59	EZRAM10061		CANOPY FRAME (FRONT).....	1
60	H1075		HEX HEAD BOLT, 1/4" - 20 X 2" .....	7
61	H1077		HEX HEAD BOLT, 1/4" - 20 X 1 1/4" LG .....	2
62	H1079		FLAT WASHER, 1/4" .....	18
63	H1078		LOCK NUT, 1/4" - 20 .....	9
64				
65	H1083		HEX HEAD BOLT, 5/16" - 18 X 1 1/4" LG .....	4
66	H1019		FLAT WASHER, 5/16" .....	8
67	H1017		LOCK NUT, 5/16" - 18 .....	4
68				
			<b>ITEMS 69 - 113 NOT SHOWN</b>	
69	611801		SIGN BOARD.....	2
70	611800		CONDIMENT TRAY .....	1
71	611799		BOTTLE CADDY.....	1
72	611798		CASH DRAWER .....	1
73	611797		MINI BOTTLE CARRIER .....	1
74	611796		HUMIDOR .....	1
75	611802		DRY GOODS STORAGE.....	1
76	611795		FOOD WARMER .....	1
<b>77</b>				
78	EZRAM10033		COLD STORAGE DOOR (FRONT) .....	1
79	EZRAM10037		COLD STORAGE DOOR (REAR) .....	1
80	EZRAM10041		CONSUMABLE ICE DOOR .....	1
81	EZRAM10022		CANOPY UPRIGHT .....	1
82	EZRAM10069		HOSE MOUNTING BRACKET .....	1
83	H4007		COMPRESSION HINGE.....	1

# REFRESHER UNIT

When ordering parts, please specify the model and serial number of the product.

\* Indicates a component that is not available as an individual part.

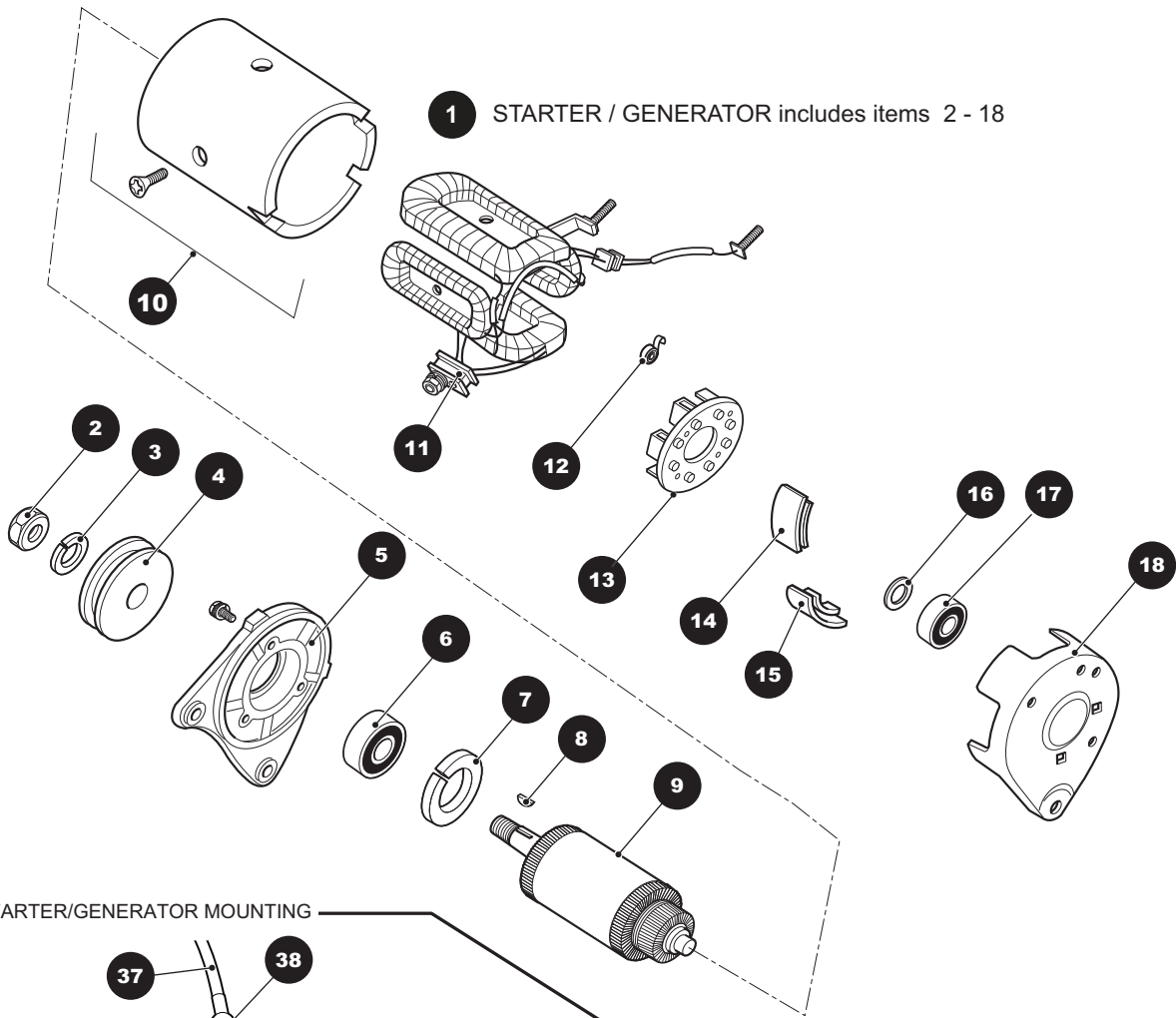
\*\*\* Indicates consult Customer Service Department for additional information.

ITEM	PART NO.	1	2	3	4	5	DESCRIPTION	QTY.
84	EZRAM10075						TRASH DOOR HINGE .....	1
85	B6001						TRASH BIN .....	1
86	H4008						TRASH DOOR LATCH .....	1
87	EZRAM10045						TRASH DOOR COMPARTMENT.....	1
88	M6003						DOOR SEAL GASKET .....	1
89	H2006						LOCK (COLD STORAGE DOOR).....	1
90								
91	EZRAM10069						HOSE MOUNTING BRACKET.....	2
92	H5012						SPIGOT VALVE .....	2
93	H5000						DRAIN HOSE, 36" .....	1
94	H5007						HOSE ADAPTER, 3/4" X 1/2" .....	2
95	H5006						COMBINATION ELBOW .....	3
96	H5005						COMBINATION TEE .....	1
97	H1070						HOSE CLAMP .....	1
98								
99	B10000						TOUCH UP PAINT REPAIR KIT.....	1
100	EZRAM100010						DOOR ACCESSORY MODULE (LEFT).....	1
101	EZRAM100012						DOOR ACCESSORY MODULE (RIGHT) .....	1
102	H4009						LOCKING LATCH.....	1
103	611806						CUP DISPENSER .....	1
104	B9002						CUP DISPENSOR COVER RING .....	1
105	B9003						CUP DISPENSOR COVER SPRING .....	1
106	611804						AIRPOT 3.00 LITER (SS).....	1
107	611805						AIRPOT RACK ASSEMBLY .....	1
108	H600						DOOR HINGE (SS) .....	1
109	M1002						CUSHIONING ADHESIVE TAPE .....	1
110	611803						SUNDRIES CABINET .....	1
111	611802						DRY GOODS STORAGE .....	1
112	611795						FOOD WARMER.....	1
113	611796						HUMIDOR .....	1
114								

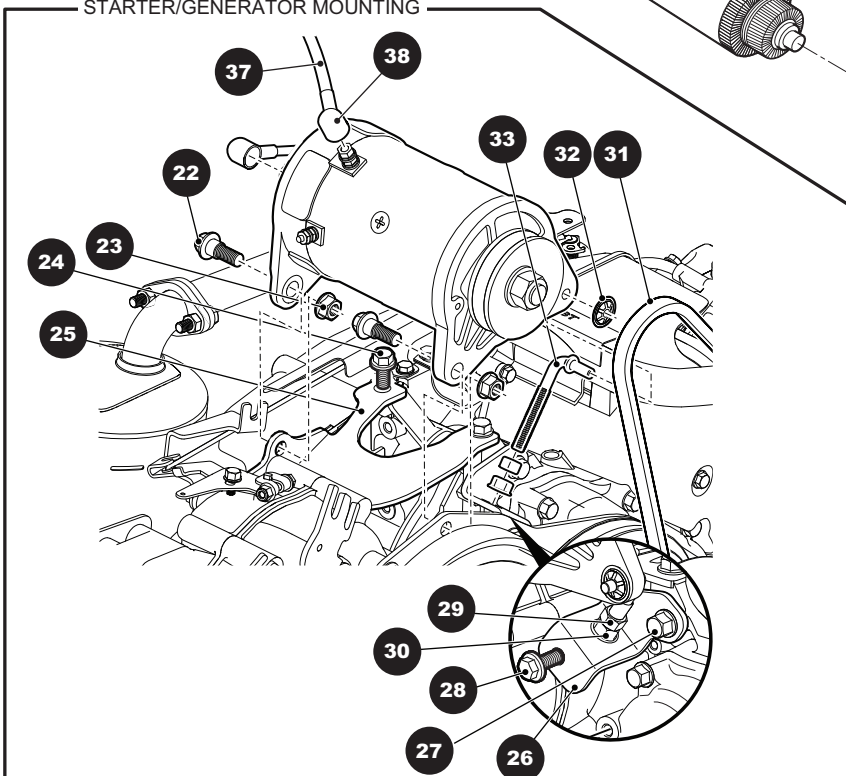




# STARTER/GENERATOR

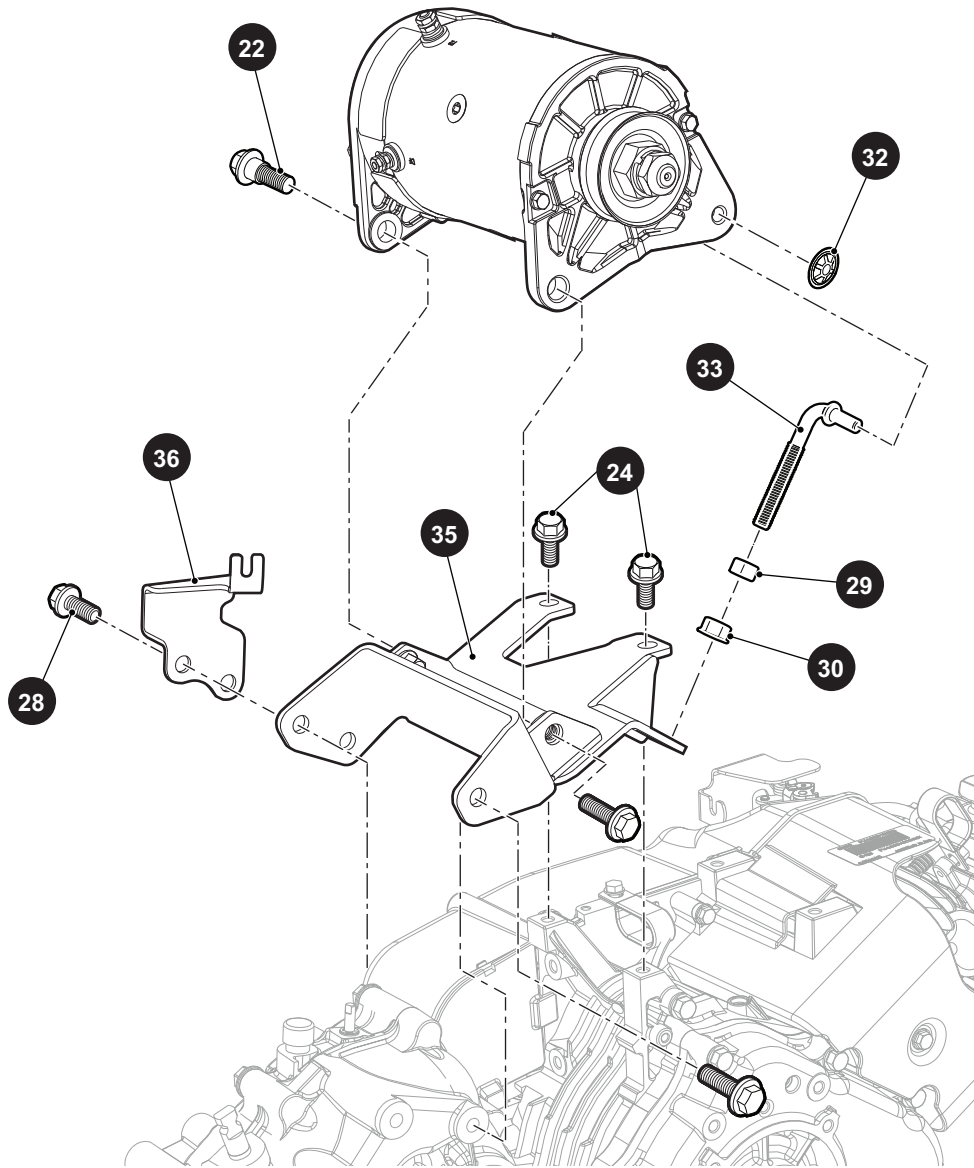


## STARTER/GENERATOR MOUNTING



# STARTER/GENERATOR

FOR VEHICLES MANUFACTURED FROM APRIL 2014



# STARTER/GENERATOR

When ordering parts, please specify the model and serial number of the product.

\* Indicates a component that is not available as an individual part.

\*\*\* Indicates consult Customer Service Department for additional information.

ITEM	PART NO.	1 2 3 4 5	DESCRIPTION	QTY.
1	625715		STARTER / GENERATOR (INCLUDES ITEMS 2 - 18) .....	1
2	612029		AMD NUT .....	1
3	612030		AMD LOCK WASHER .....	1
4	625716		PULLEY .....	1
5	612032		FRONT COVER .....	1
6	612033		BEARING .....	1
7	612034		RETAINING RING .....	1
8	612035		KEY .....	1
9	612036		ARMATURE ASSEMBLY .....	1
10	612037		FRAME & FIELD ASSEMBLY .....	1
11	612038		BRUSH LEAD & TERMINAL SERVICE PKG .....	1
12	612039		BRUSH SPRING .....	4
13	612040		BRUSH BOX ASSEMBLY .....	1
14	612041		BRUSH 1 COVER .....	3
15	612042		BRUSH 2 COVER .....	2
16	612043		WAVY WASHER .....	1
17	612044		BEARING .....	1
18	612045		REAR COVER .....	1
19				
20				
21				
22	606235		HEX FLANGED SHOULDER BOLT, M10 - 1.25 X 20MM LG .....	2
23	606279		HEX NUT, M10 - 1.25 .....	2
24	606261		HEX HEAD BOLT, M8 - 1.25 X 20MM LG .....	3
25	602141		STARTER / GENERATOR BRACKET .....	1
26	602145		TENSIONER BRACKET .....	1
27	606261		HEX HEAD BOLT, M8 - 1.25 X 20MM LG .....	1
28	606256		HEX HEAD BOLT, M10 - 1.25 X 25MM LG .....	1
29	606255		HEX NUT, M10 - 1.25 .....	1
30	606274		HEX NUT, M10 - 1.25 .....	1
31	630587		STARTER / GENERATOR BELT .....	1

# STARTER/GENERATOR

When ordering parts, please specify the model and serial number of the product.

\* Indicates a component that is not available as an individual part.

\*\*\* Indicates consult Customer Service Department for additional information.

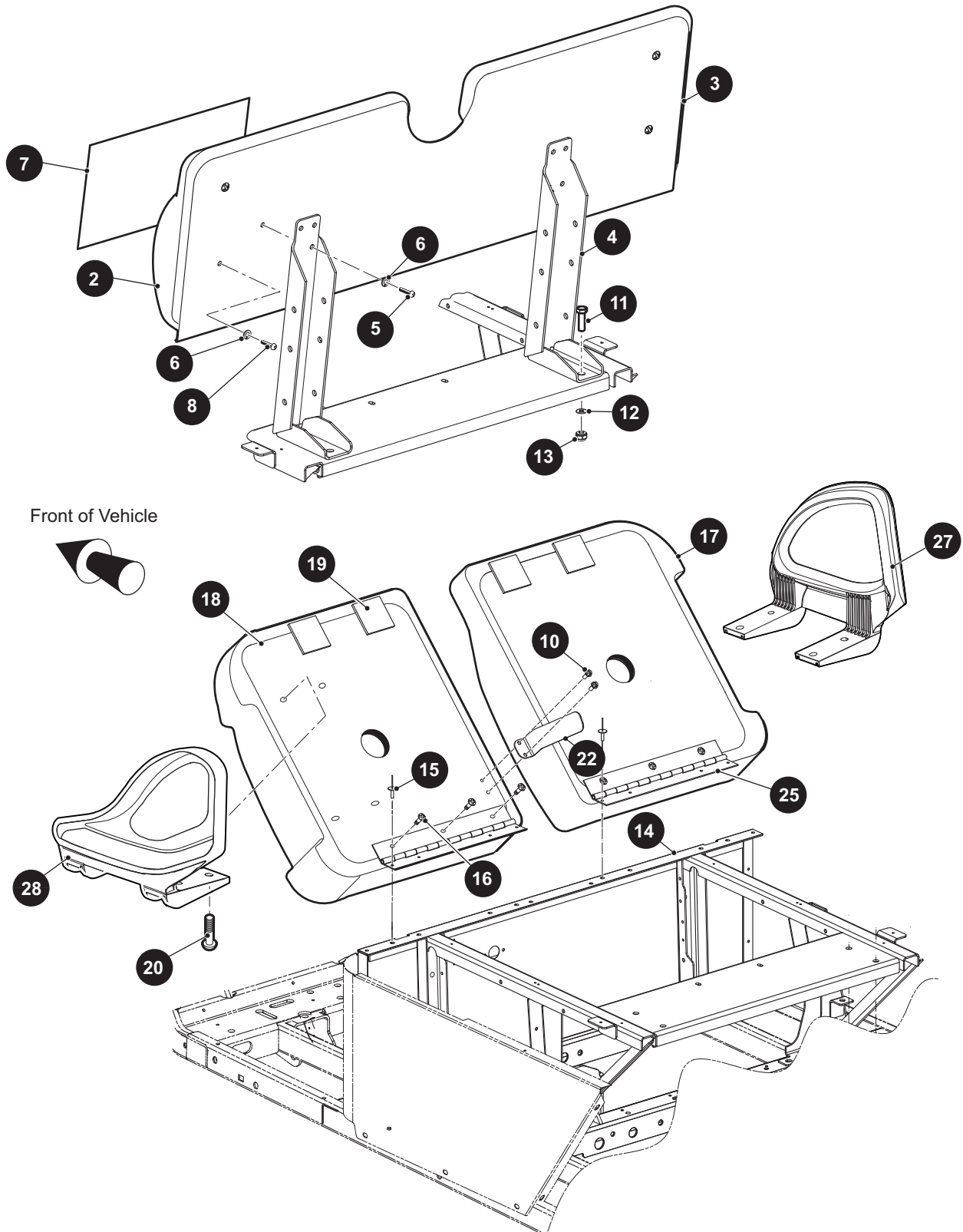
ITEM	PART NO.	1 2 3 4 5	DESCRIPTION	QTY.
32	12064G6		PUSH NUT, 5/16" .....	1
33	629763		TENSIONER BOLT .....	1
34				
35	631972		STARTER / GENERATOR SUPPORT BRACKET (FOR VEHICLES MANUFACTURED FROM APRIL 2014) .....	1
36	603884		BRACKET (GUIDE CABLE).....	1
37	607103		WIRE ASSEMBLY, 6 AWG, 42" LG .....	1
38	25682G01		RUBBER BOOT .....	3





# SEATING

1 SEAT BACK ASSEMBLY includes items 2 - 8





When ordering parts, please specify the model and serial number of the product.

\* Indicates a component that is not available as an individual part.

\*\*\* Indicates consult Customer Service Department for additional information.

ITEM	PART NO.	1 2 3 4 5	DESCRIPTION	QTY.
1	75849GXX		SEAT BACK ASSEMBLY (INCLUDES ITEMS 2 - 8) .....	1
2	75840GXX		CUSHION SEAT BACK .....	2
3	75841G01		SEAT BACK PLATE.....	1
4	624486		SEAT BACK SUPPORT .....	2
5	16705G1		SCREW, 1/4 - 20 X 1 .....	4
6	00664G7		SPRING LOCK WASHER, 1/4 .....	8
7	27336G01		SAFETY LABEL .....	2
8	16705G3		SCREW, 1/4 - 20 X 0.75.....	4
9				
10	00114G6		SCREW, 1/4 - 10 X 3/4" .....	2
11	00427G2		HEX HEAD SCREW, 3/8" - 16 .....	4
12	00560G1		FLAT WASHER, 3/8" .....	4
13	11098G5		LOCK NUT, 3/8 - 16 .....	4
14	609588		SEAT FRAME WELDMENT .....	1
15	10570G11		RIVET, 3/16" .....	8
16	16705G01		SCREW, 1/4 - 20 X 1 .....	6
17	629269G08**		SEAT BOTTOM ASSEMBLY (PASSENGER SIDE) (INCLUDES ITEMS 19 - 27) .....	1
18	629269G09**		SEAT BOTTOM ASSEMBLY (DRIVER SIDE) (INCLUDES ITEMS 19 - 25, 28) .....	1
19	17074G1		SOILING SLAB.....	2
20	615417		BUTTON HEAD TORX BOLT, M10 - 1.5 X 25MM LG.....	4
21				
22	75848G01		SEAT BRACKET .....	1
23				
24				
25	75847G01		SEAT HINGE .....	2
26				
27	617644		HIP RESTRAINT (PASSENGER SIDE) .....	1
28	617645		HIP RESTRAINT (DRIVER SIDE).....	1



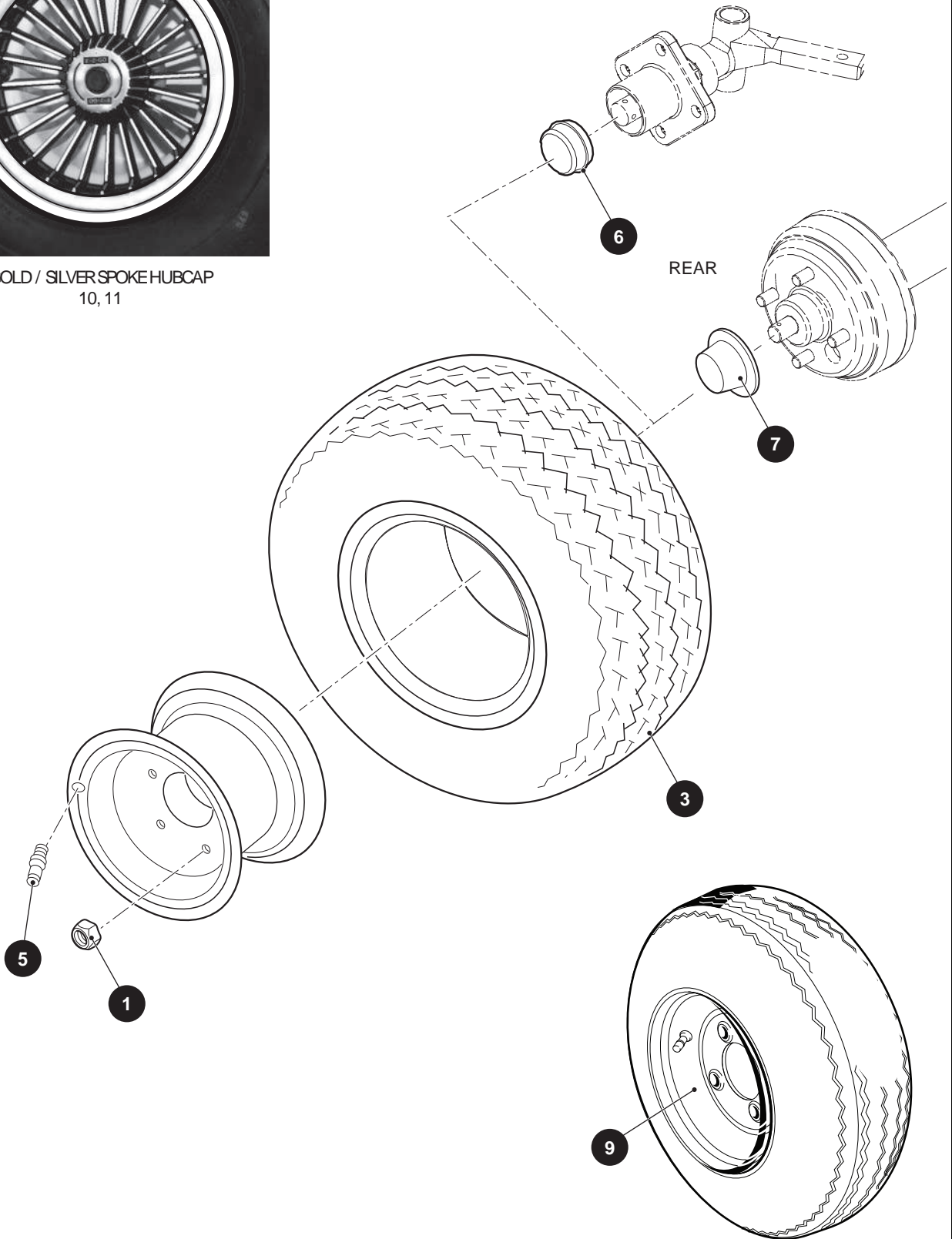


# WHEELS AND TIRES



GOLD / SILVER SPOKE HUBCAP  
10, 11

2 WHEEL AND TIRE ASSY includes items 3 - 5



# WHEELS AND TIRES

When ordering parts, please specify the model and serial number of the product.

\* Indicates a component that is not available as an individual part.

\*\*\* Indicates consult Customer Service Department for additional information.

ITEM	PART NO.	1 2 3 4 5	DESCRIPTION	QTY.
1	14723G1		LUG NUT .....	8
2	614437		WHEEL TIRE ASSEMBLY .....	2
3	614438		TIRE .....	*
4	614261		WHEEL .....	*
5	11657G2		VALVE STEM.....	*
6	12091G2		SPINDLE CAP .....	2
7	74175G01		DUST CAP .....	2
8				
9	612772		WHEEL, HOLE-N-ONE.....	2
10	615618		HUB CAP ASSEMBLY, SILVER.....	4
11	615617		HUB CAP ASSEMBLY, GOLD .....	4







**CUSHMAN™**

**E-Z-GO Division of Textron Inc.,**  
1451 Marvin Griffin Road, Augusta, Georgia 30906 - 3852 USA

**TO CONTACT US...**

North America:

**Technical Assistance & Warranty** Phone: 1-800-774-3946, FAX: 1-800-448-8124

**Service Parts** Phone: 1-888-GET-E-Z-GO (1-888-438-3946), FAX: 1-800-752-6175

International: Phone: 001-706-798-4311, FAX: 001-706-771-4609

Service Parts Manuals, as well as Repair and Service Manuals  
are available from a local Distributor, an authorized Branch,  
Genuine E-Z-GO Parts & Accessories Department or at [www.shopezgo.com](http://www.shopezgo.com).

Copyrighted Material  
This manual may not be reproduced in whole or  
in part without the express permission of  
E-Z-GO Division of Textron Inc.  
Technical Communications Department