



A Textron Company

2Five ELECTRIC Service Parts Manual

ELECTRIC POWERED VEHICLE



647698-U

ISSUED AUGUST 2015

REVISED AUGUST 2018

SERVICE PARTS MANUAL

ELECTRIC POWERED VEHICLE

2Five ELECTRIC

STARTING MODEL YEAR 2016

CALIFORNIA Proposition 65 Warning

WARNING: Motor vehicles may contain fuels, oils and fluids, battery posts, terminals, and related accessories which contain lead, lead compounds and other chemicals identified by the State of California to potentially cause cancer, birth defects and other reproductive harm. These chemicals are found in vehicles, vehicle parts and accessories, both new and replacements. During maintenance, these vehicles generate used oil, waste fluids, grease, fumes and particulates, all identified by the State of California to potentially cause cancer, birth defects, and other reproductive harm.

DISCLAIMER: The E-Z-GO Division of Textron Inc. (E-Z-GO) reserves the right to incorporate engineering and design changes to products in this Manual, without obligation to include these changes on units leased/sold previously.

The information contained in this Manual may be revised periodically E-Z-GO, and therefore is subject to change without notice.

E-Z-GO DISCLAIMS LIABILITY FOR ERRORS IN THIS MANUAL, and E-Z-GO SPECIFICALLY DISCLAIMS LIABILITY FOR INCIDENTAL AND CONSEQUENTIAL DAMAGES RESULTING FROM THE USE OF THE INFORMATION AND MATERIALS IN THIS MANUAL.

TO CONTACT US

NORTH AMERICA:

TECHNICAL ASSISTANCE & WARRANTY PHONE: 1-800-774-3946, FAX: 1-800-448-8124

SERVICE PARTS PHONE: 1-888-GET-EZGO (1-888-438-3946), FAX: 1-800-752-6175

INTERNATIONAL: PHONE: 001-706-798-4311, FAX: 001-706-771-4609

E-Z-GO DIVISION OF TEXTRON INC., 1451 MARVIN GRIFFIN RD., AUGUSTA, GEORGIA USA 30906-3852

GENERAL INFORMATION

This vehicle has been designed and manufactured in the United States of America (USA). The standards and specifications listed in the following text originate in the USA unless otherwise indicated.

The use of non-Original Equipment Manufacturer (OEM) approved parts may void the warranty.

Failure to properly maintain batteries may void the warranty. Refer to the battery manual for instructions on the proper maintenance and care of the batteries.

BATTERY PROLONGED STORAGE

Batteries self-discharge over time. The rate of self-discharge varies depending on the ambient temperature, the age and condition of the batteries.

Fully charged batteries will not freeze in winter temperatures unless the temperature falls below -75°F (- 60°C).

For winter storage, the batteries must be clean, fully charged and disconnected from any source of electrical drain.

The battery charger may be left connected to the vehicle to maintain a full charge on the batteries, provided the charger is plugged into an active electrical source. If power to the electrical source is disconnected or interrupted, the battery charger will continue to check the charge on the battery pack. This will draw power from the battery pack and eventually drain the batteries if power is not restored in a timely manner.

As with all electric vehicles, the batteries must be checked and recharged as required or at a minimum of 30 day intervals.

Check and maintain the proper fluid level in all battery cells during the storage period. Proper fluid level is required for maximum battery performance.

BATTERY DISPOSAL

Lead-acid batteries are recyclable. Return whole scrap batteries to distributor, manufacturer or lead smelter for recycling. For neutralized spills, place residue in acid-resistant containers with absorbent material, sand. Dispose of in accordance with local, state and federal regulations for acid and lead compounds. Contact local and/or state environmental officials regarding disposal information.

TABLE OF CONTENTS

| SECTION | Page No. |
|--|-----------------|
| HOW TO USE THE SERVICE PARTS MANUAL..... | V |
| ACCELERATOR..... | A - 1 |
| BATTERY CHARGER..... | B - 1 |
| BODY..... | C - 1 |
| BRAKES..... | D - 1 |
| ELECTRICAL SYSTEM..... | E - 1 |
| ELECTRONIC SPEED CONTROL..... | F - 1 |
| FRAMES..... | G - 1 |
| FRONT SUSPENSION..... | H - 1 |
| MOTOR..... | J - 1 |
| REAR AXLE..... | K - 1 |
| REAR SUSPENSION..... | L - 1 |
| SEATING..... | M - 1 |
| WEATHER PROTECTION..... | N - 1 |
| WHEELS AND TIRES..... | P - 1 |

NOTES

A large grid area for taking notes, consisting of 20 columns and 30 rows of small squares.

HOW TO USE THE SERVICE PARTS MANUAL

This manual is divided into several sections:

- GENERAL INFORMATION
- ILLUSTRATED PARTS BREAKDOWN

The first section, GENERAL INFORMATION, contains the following information:

- WARRANTY INFORMATION
- GENERAL INDEX
- HOW TO USE THE SERVICE PARTS MANUAL

The second section, ILLUSTRATED PARTS BREAKDOWN, contains illustrations and parts lists for all systems of your vehicle.

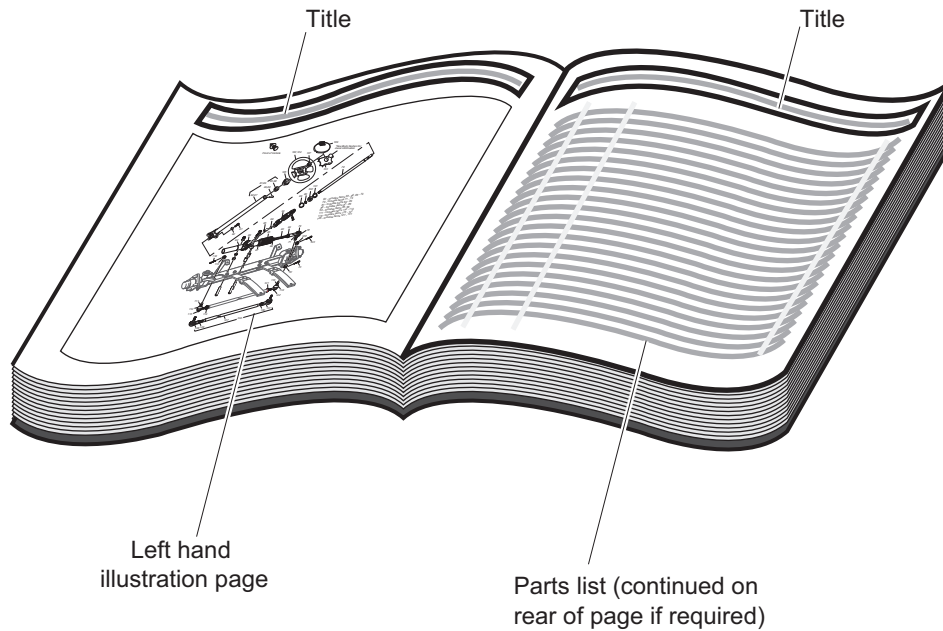
USE OF THE MANUAL

To use this manual, consult the GENERAL INDEX to locate the information or illustration required.

Introduction of some revisions varies due to supply of components; therefore, it is possible that various combinations of components may be found that are not directly reflected by each illustration. Consult the illustration that best suits your situation and then contact the Service Parts Department. It is important that the serial number of your vehicle and its model number be supplied to Service Parts when ordering any replacement components.

Locate the serial number plate (see BODY located in the Illustrated Parts Breakdown section of this manual for its location) and note the complete number shown on the plate.

HOW TO USE THE SERVICE PARTS MANUAL



1. WHEN THE PART NUMBER IS NOT KNOWN

- Determine the function and application of the part required. Turn to the General Index and select the most appropriate title.
- Turn to the page number indicated and locate the desired part on the illustration.
- From the illustration, obtain the item number assigned to the desired part. Refer to the accompanying description for specific information regarding the part.

2. IF YOU KNOW THE PART NUMBER

- Locate the part number or description in the appropriate column on the parts list page.

NOTE: It is suggested that you confirm that the part selected is correct by verifying it with the pictorial representation on the illustrated page.

Should an asterisk (*) appear in the part number column on the parts list page, read upwards until a part number is found. The part number is the lowest assembly sold by Service Parts and the asterisk (*) indicates that the part depicted is not available for purchase.

NOTE: Descriptions are indented under the assembly that they are used on. That assembly is, in turn listed under the assembly that it is used on. This process is repeated until the highest final assembly is reached.

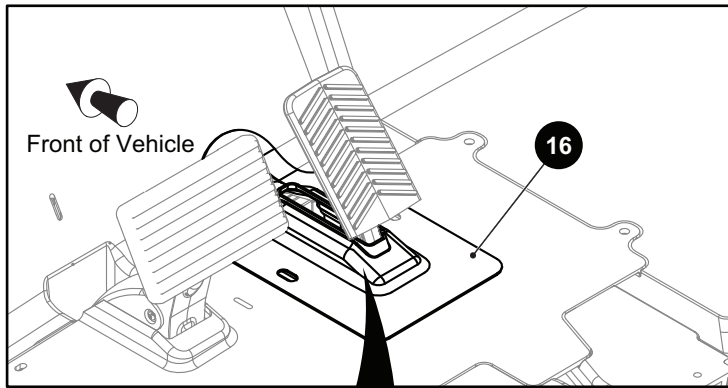
To facilitate the maintenance and repair of the vehicle, a Technician's Repair and Service Manual is available from the Service Parts Department.

3. COLOR CODE FOR BODY COMPONENTS

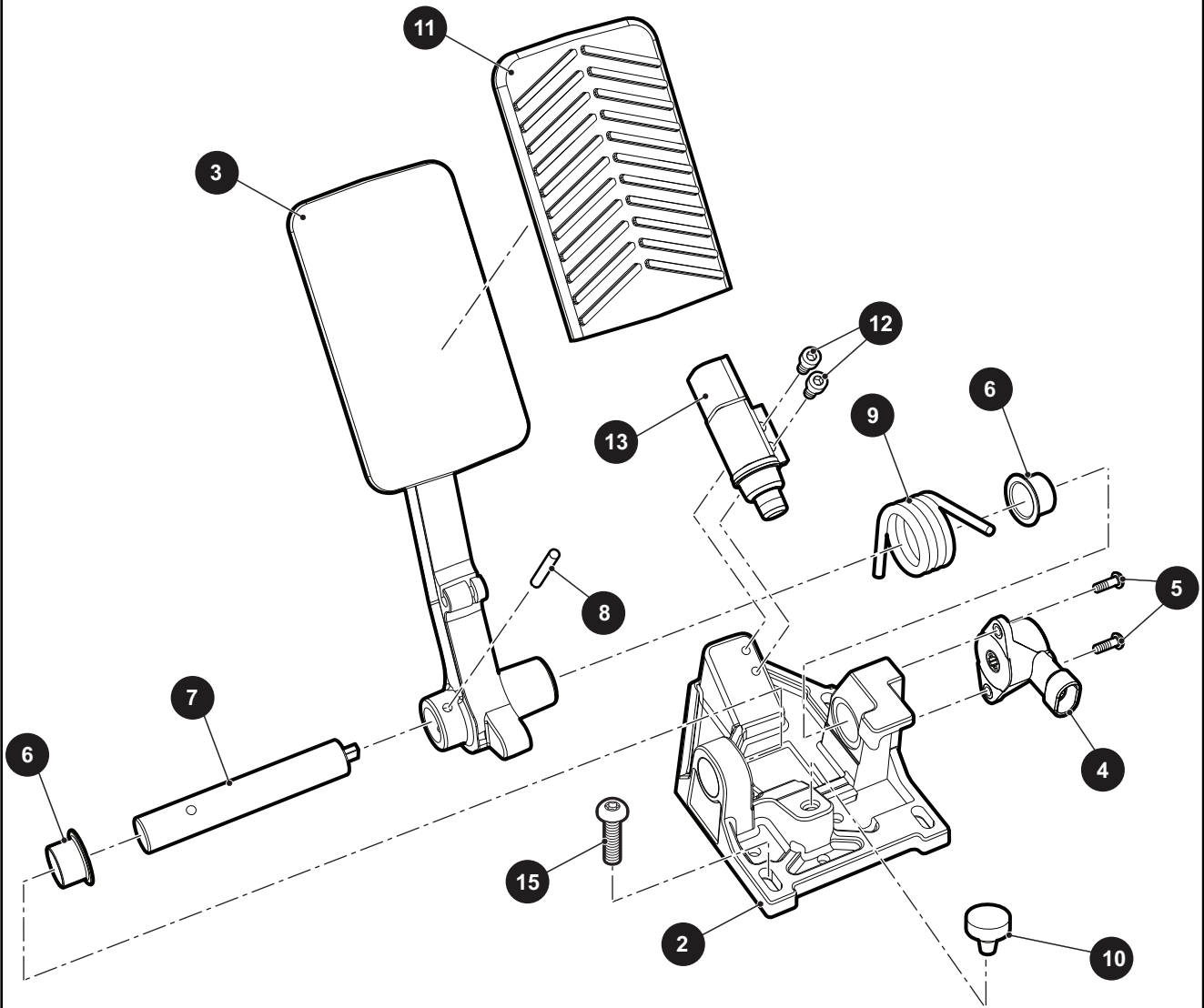
The last two digits of the part number for the body part will denote the color code, locate the part number for the cowl, rear body, seat pod, side panel or seat wrap then locate your color in the list below, replace the last ** or XX with the two digit color code.

| <u>CODE #</u> | <u>DESCRIPTION</u> |
|----------------------|---------------------------|
| 11 | BLACK |
| 19 | PATRIOT BLUE PEARL |
| 20 | INFERNO RED METALLIC |
| 26 | STEEL BLUE PEARL |
| 31 | METALLIC CHARCOAL |
| 35 | SAFETY YELLOW |
| 36 | IVORY |
| 37 | FOREST GREEN |
| 38 | BRIGHT WHITE |
| 39 | FLAME RED |
| 41 | ELECTRIC BLUE |
| 42 | PLATINUM |
| 43 | BURGUNDY |
| 44 | ALMOND |
| 51 | SUNBURST ORANGE |
| 52 | BRITISH RACING GREEN |
| 74 | BARLEY GOLD |
| 75 | OASIS GREEN |
| 76 | JAVA BROWN |
| 79 | JACOBSEN ORANGE 172 |

ACCELERATOR



1 ACCELERATOR PEDAL ASSEMBLY includes items 2 - 13



ACCELERATOR

THE USE OF NON U.L. PARTS WILL VOID ANY U.L. LISTING.

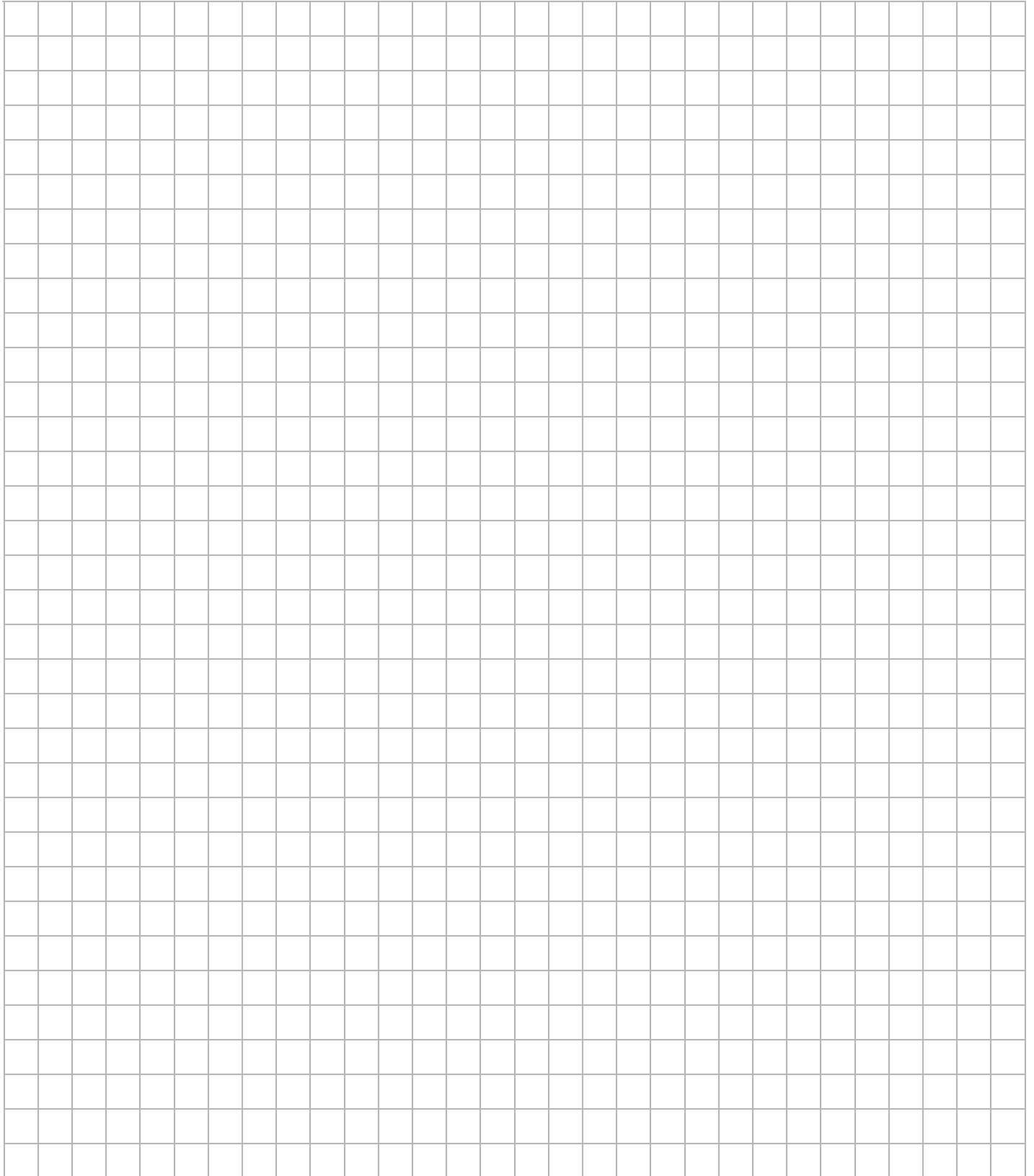
When ordering parts, please specify the model and serial number of the product.

* Indicates a component that is not available as an individual part.

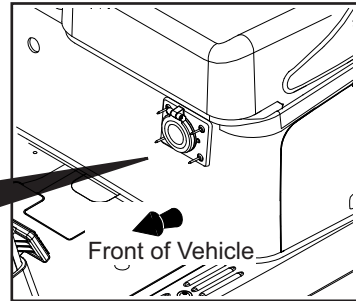
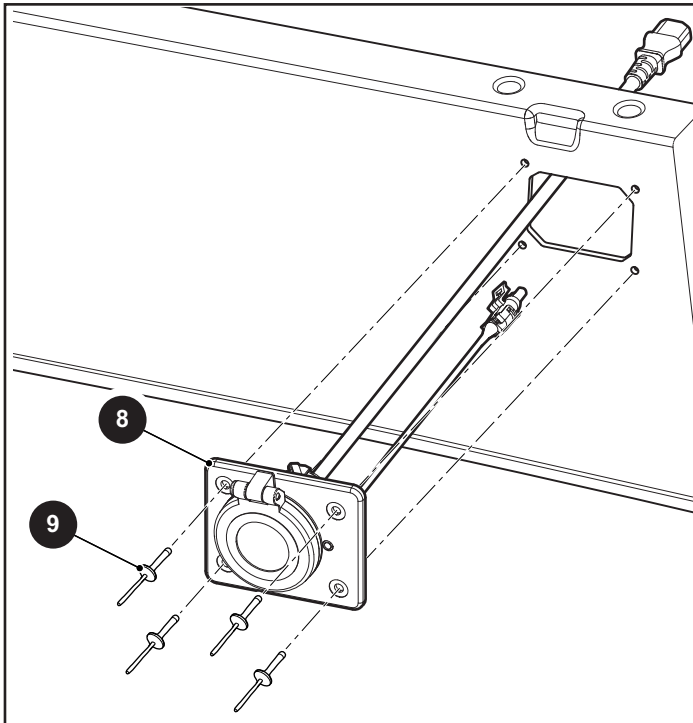
*** Indicates consult Customer Service Department for additional information.

| ITEM | PART NO. | 1 2 3 4 5 | DESCRIPTION | QTY. |
|------|----------|-----------|--|------|
| 1 | 653201 | | ACCELERATOR PEDAL ASSEMBLY (INCLUDES ITEMS 2 - 13) | 1 |
| 2 | * | | ACCELERATOR PEDAL BRACKET | 1 |
| 3 | * | | ACCELERATOR PEDAL | 1 |
| 4 | 600019 | | ROTARY POSITION SENSOR..... | 1 |
| 5 | 600543 | | BUTTON HEAD TORX BOLT, M4 - .75 X 12 MM LG | 2 |
| 6 | * | | FLANGED BUSHING, 16 MM X 12 MM..... | 2 |
| 7 | * | | ACCELERATOR PIVOT SHAFT..... | 1 |
| 8 | 600683 | | HEAVY DUTY SPIROL PIN, 4 MM X 26 MM..... | 1 |
| 9 | * | | TORSION SPRING, 4.5 MM DIA..... | 1 |
| 10 | 604097 | | BUMPER | 1 |
| 11 | 610529 | | ACCELERATOR PEDAL COVER..... | 1 |
| 12 | 620030 | | SOCKET HEAD CAP BOLT, M5 - .8 X 15 MM LG | 2 |
| 13 | 612889 | | PEDAL SWITCH..... | 1 |
| 14 | | | | |
| 15 | 649803 | | PAN HEAD TORX SCREW, M6 - 2.65 X 25 MM LG..... | 3 |
| 16 | 614393 | | ACCELERATOR PEDAL INSERT..... | 1 |

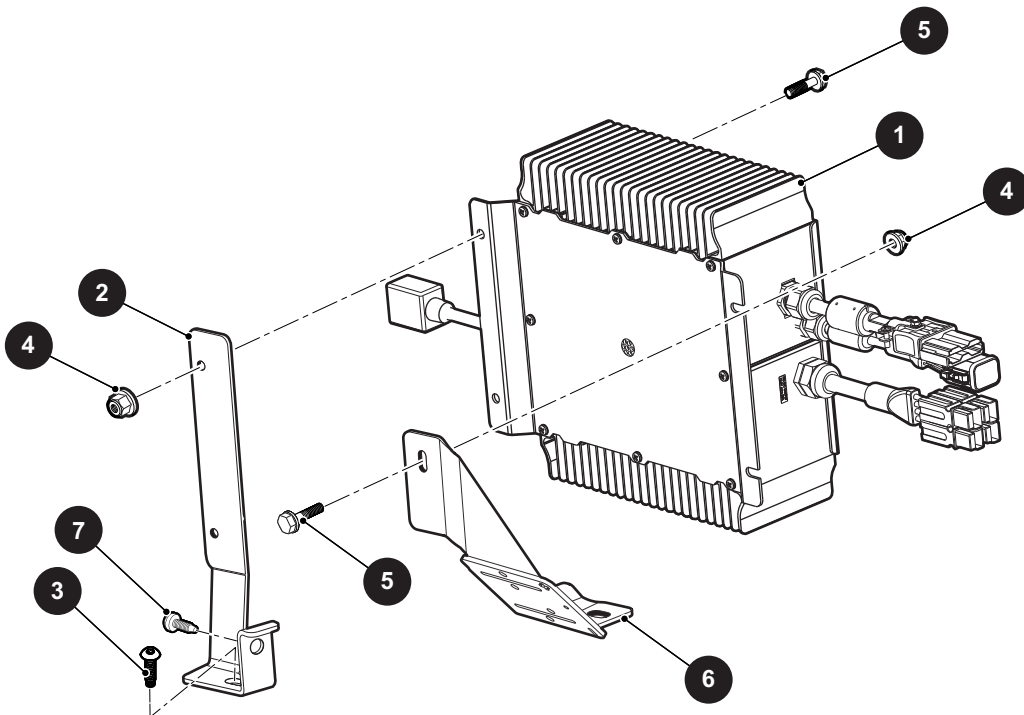
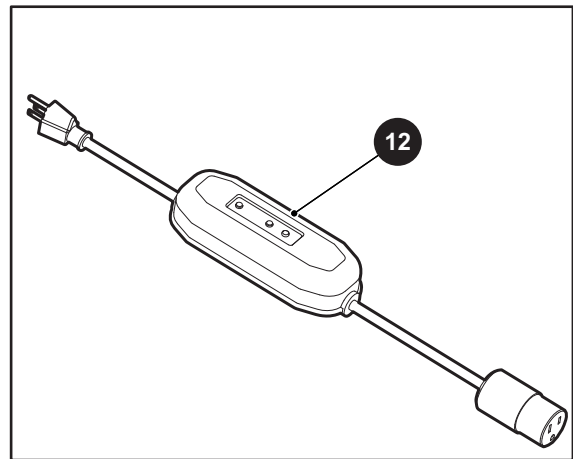
Notes:

A large rectangular area filled with a fine grid of lines, typical of graph paper, intended for handwritten notes.

BATTERY CHARGER



11 CHARGER CORD KIT includes item 12



BATTERY CHARGER

THE USE OF NON U.L. PARTS WILL VOID ANY U.L. LISTING.

When ordering parts, please specify the model and serial number of the product.

* Indicates a component that is not available as an individual part.

*** Indicates consult Customer Service Department for additional information.

| ITEM | PART NO. | 1 2 3 4 5 | DESCRIPTION | QTY. |
|------|----------|-----------|--|------|
| 1 | 632862 | | 48V ON-BOARD BATTERY CHARGER WITH DC TO DC CONVERTER | 1 |
| 2 | 613145 | | CHARGER FRONT BRACKET | 1 |
| 3 | 649804 | | BUTTON HEAD TORX SCREW, M8 - 3.50 X 30 MM LG | 1 |
| 4 | 601476 | | LOCK NUT, M6 - 1 | 4 |
| 5 | 606264 | | HEX HEAD FLANGED BOLT, M6 - 1 X 20 MM LG..... | 4 |
| 6 | 613148 | | CHARGER SUPPORT BRACKET | 1 |
| 7 | 602572 | | PAN HEAD TORX TAPTITE BOLT, M10 - 1.5 X 25 MM LG..... | 1 |
| 8 | 610536 | | ON BOARD CHARGER RECEPTACLE | 1 |
| 9 | 71055G01 | | RIVET (ALUMINUM), 3/16" X 1" LG | 4 |
| 10 | | | | |
| 11 | 652608 | | CHARGER CORD KIT, 5 METER DC CORD (INCLUDES ITEM 12)..... | 1 |
| 12 | 652503 | | ON BOARD CHARGER CORD, 5 METER DC CORD | 1 |

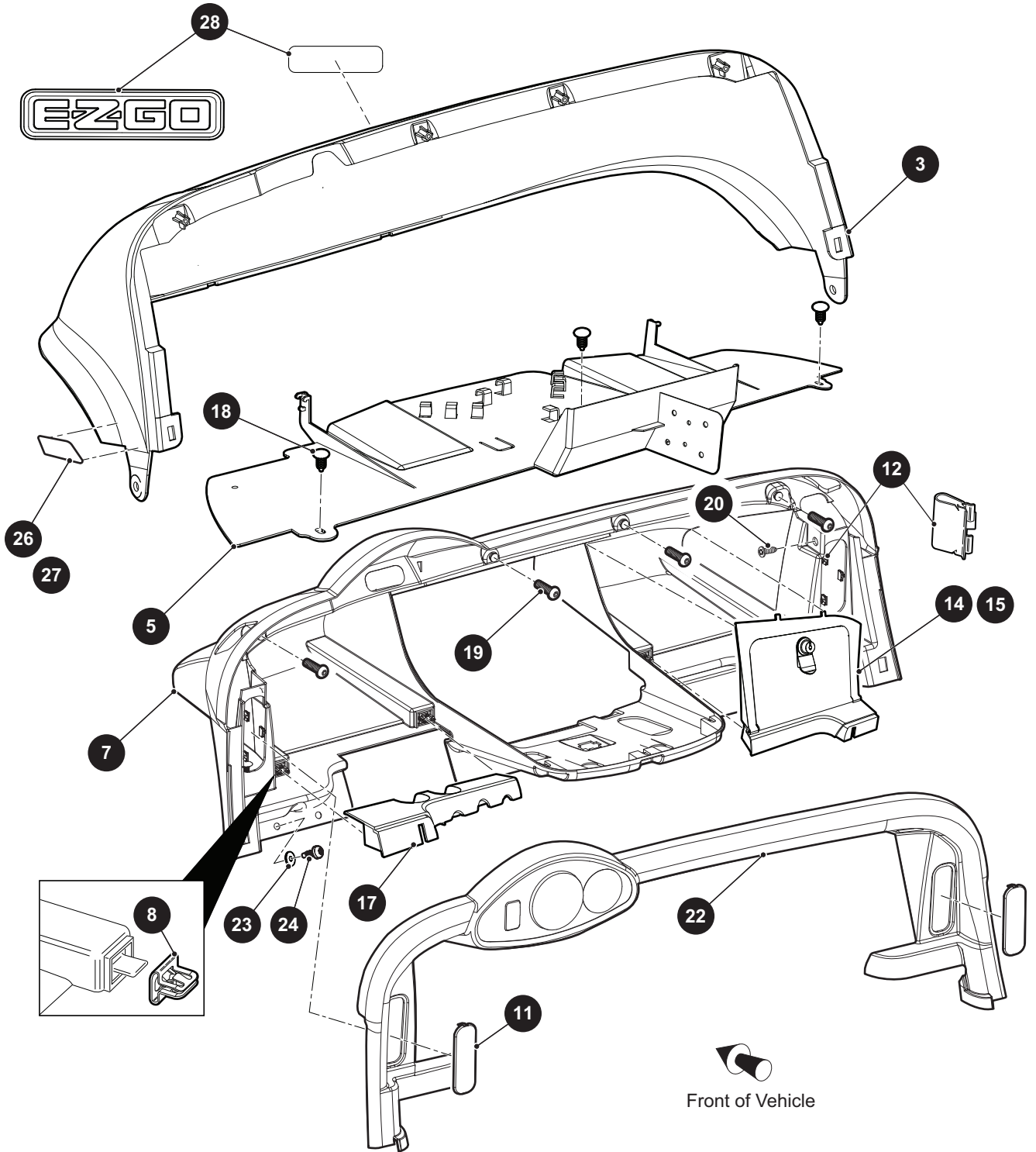
BODY

1 COWL WITH LIGHTS includes item 2

2 COWL includes item 3

6 INSTRUMENT PANEL ASSEMBLY includes items 7 - 8

10 STRUT COVER ASSEMBLY includes items 11 - 12



THE USE OF NON U.L. PARTS WILL VOID ANY U.L. LISTING.

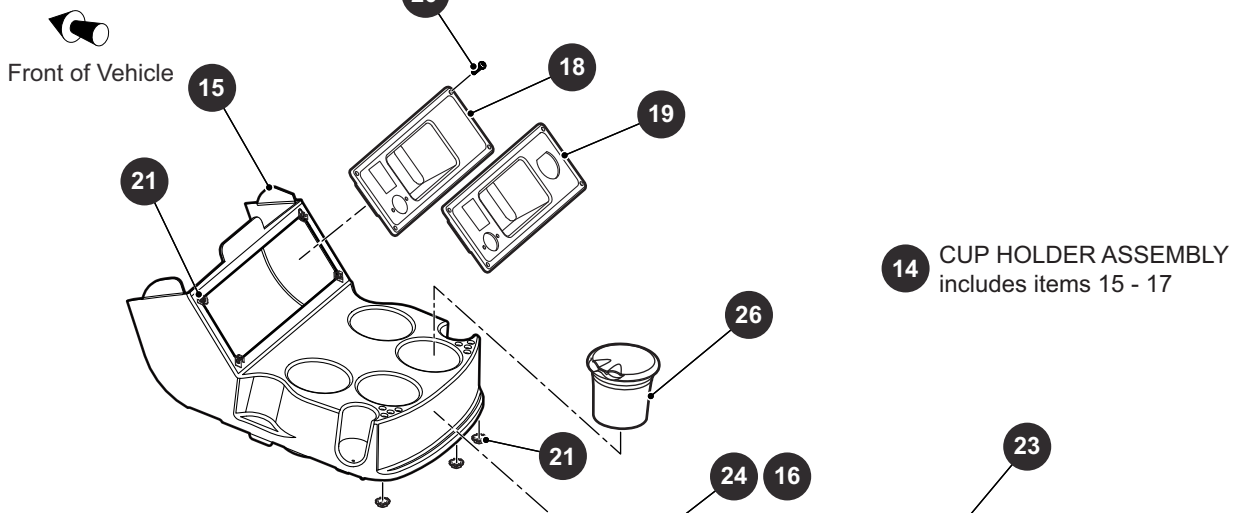
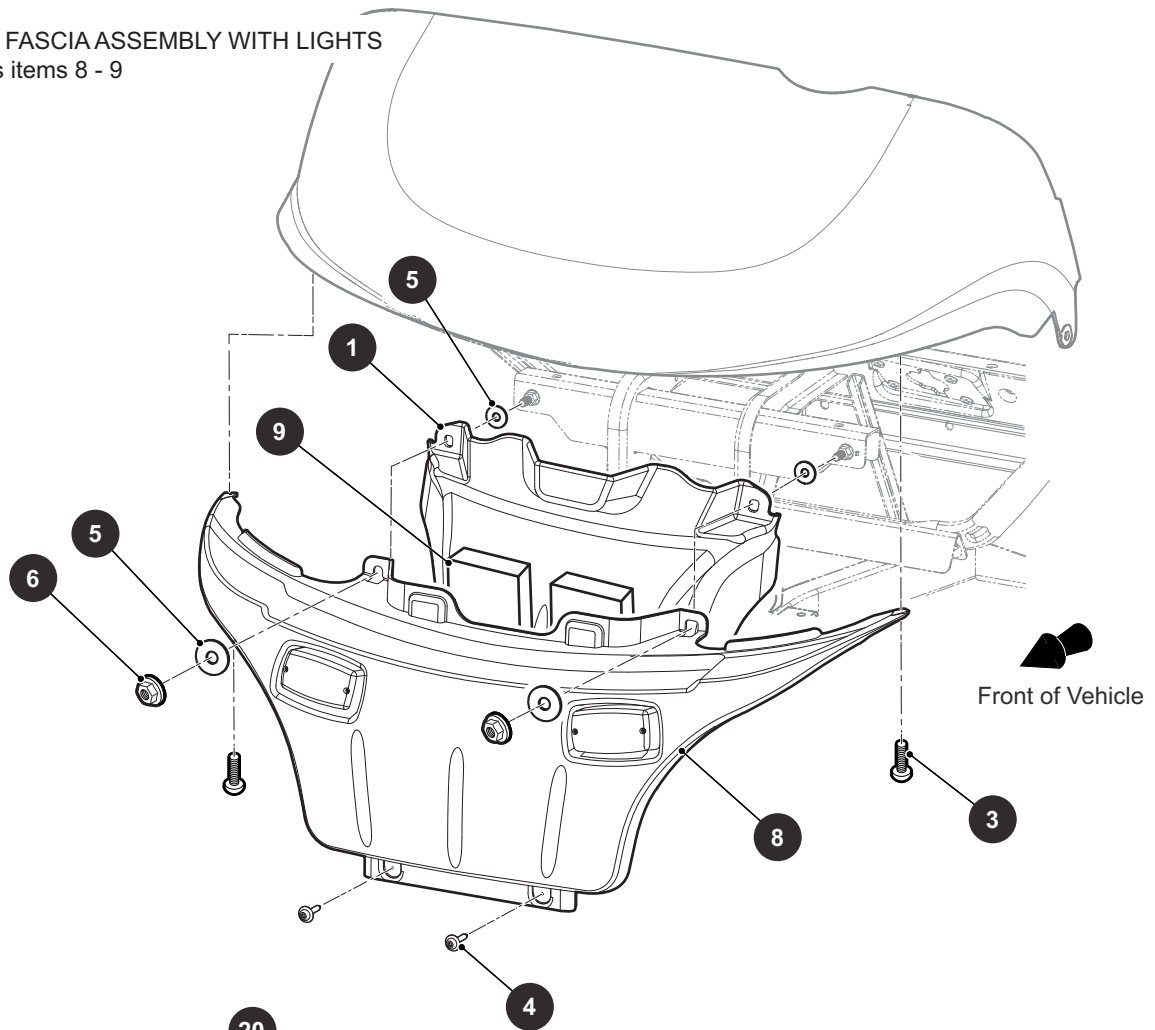
When ordering parts, please specify the model and serial number of the product.

* Indicates a component that is not available as an individual part.

*** Indicates consult Customer Service Department for additional information.

| ITEM | PART NO. | 1 2 3 4 5 | DESCRIPTION | QTY. |
|------|-------------|-----------|---|------|
| 1 | 645759G01XX | | COWL WITH LIGHTS (INCLUDES ITEM 2) (see COLOR CODES in HOW TO USE Section) | 1 |
| 2 | 645759G00XX | | COWL (INCLUDES ITEM 3) (see COLOR CODES in HOW TO USE Section) | 1 |
| 3 | 645759G0024 | | FRONT COWL | 1 |
| 4 | | | | |
| 5 | 601634 | | FRONT SPLASH GUARD..... | 1 |
| 6 | 602387 | | INSTRUMENT PANEL ASSEMBLY (INCLUDES ITEMS 7 - 8)..... | 1 |
| 7 | 600240 | | INSTRUMENT PANEL..... | 1 |
| 8 | 602184 | | CLIP, SPRING | 1 |
| 9 | | | | |
| 10 | 602388 | | STRUT COVER ASSEMBLY (INCLUDES ITEMS 11 - 12)..... | 1 |
| 11 | 602386 | | STRUT COVER..... | 1 |
| 12 | 602100 | | CLIP, SPRING | 1 |
| 13 | | | | |
| 14 | 607533 | | GLOVE BOX (DRIVER SIDE)..... | 1 |
| 15 | 607131 | | GLOVE BOX (PASSENGER SIDE) | 1 |
| 16 | | | | |
| 17 | 600243 | | BALL HOLDER INSERT (DRIVER SIDE)..... | 1 |
| 18 | 16816G2 | | RATCHET RIVET, 1/4" X 3/4" LG | 3 |
| 19 | 649803 | | PAN HEAD TORX SCREW, M6 - 2.65 X 25 MM LG..... | 4 |
| 20 | 70200G01 | | TORX HEAD SCREW, 3/8" - 16 X 1/4" LG | 2 |
| 21 | | | | |
| 22 | 610621 | | INSTRUMENT PANEL TRIM (OPENING FOR KEY SWITCH, SPEEDOMETER AND LIGHT SWITCH) | 1 |
| 23 | 604066 | | FLAT WASHER, M10 | 4 |
| 24 | 602572 | | PAN HEAD TAPTITE BOLT, M10 - 1.5 X 25 MM LG | 4 |
| 25 | | | | |
| 26 | 609416 | | FRONT REFLEX REFLECTOR (PASSENGER SIDE) | 1 |
| 27 | 609417 | | FRONT REFLEX REFLECTOR (DRIVER SIDE)..... | 1 |
| 28 | 612837 | | 2 - FIVE NAMEPLATE | 1 |

6 FRONT FASCIA ASSEMBLY WITH LIGHTS
includes items 8 - 9



14 CUP HOLDER ASSEMBLY
includes items 15 - 17

WARNING Failure to follow these instructions can result in DEATH or SERIOUS INJURY.

ALWAYS WEAR YOUR SEATBELT. Vehicle may be driven on public roads. • Drivers must possess a valid driver license in accordance with state laws. • DO NOT drink and drive. • All occupants use PROPERLY SEATED and PROPERLY FASTENED seat BELTS. • KEEP entire body INSIDE VEHICLE while moving. • Reduce the RISK of ACCIDENTS: Always DRIVE SLOWLY in congested areas, on wet or loose terrain, and when backing up. • DRIVE SLOWLY when turning and AVOID sudden stops. • ALWAYS drive straight up and down slopes. • Do not coast, use Brake when going down a slope. • NEVER drive the vehicle until the release of charge or discharge.

This vehicle is NOT A TOY. Drive responsibly. • NEVER leave children unattended or allow children to play on the vehicle. • NEVER leave key in vehicle when parked. • NEVER carry more than 2 occupants on bench seat. • Do not exceed vehicle WEIGHT CAPACITY (see Owner's Manual). • NEVER alter this vehicle to increase load capacity above factory specifications. • Altering, NOT approved or tested by Ezgo can create unsafe conditions and increase your chance of having an accident. • ONLY authorized EZ-GO dealers should alter vehicle using approved parts.

DO NOT OVERLOAD this vehicle. • DO NOT MODIFY this vehicle.



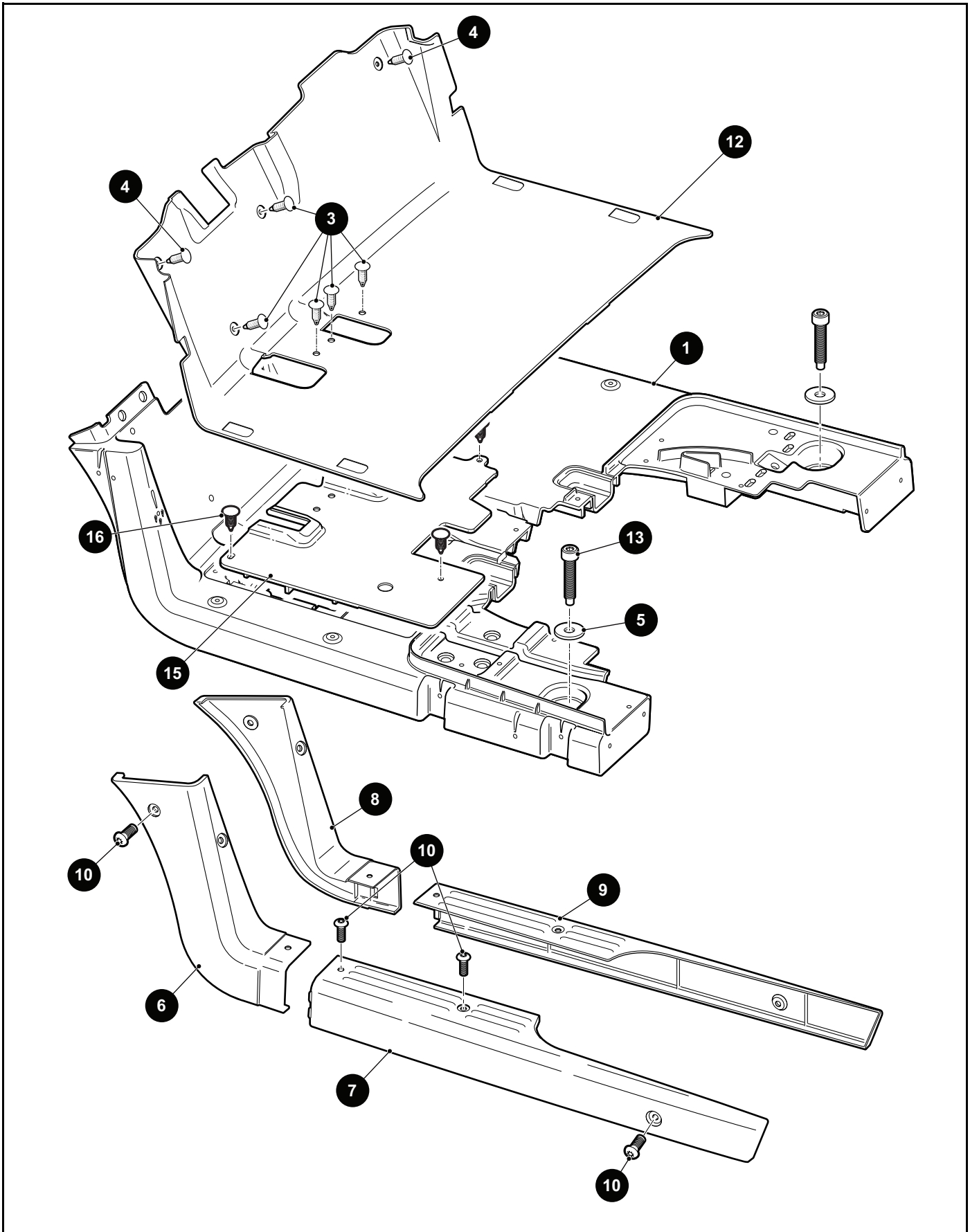
THE USE OF NON U.L. PARTS WILL VOID ANY U.L. LISTING.

When ordering parts, please specify the model and serial number of the product.

* Indicates a component that is not available as an individual part.

*** Indicates consult Customer Service Department for additional information.

| ITEM | PART NO. | 1 2 3 4 5 | DESCRIPTION | QTY. |
|------|-----------|-----------|--|------|
| 1 | 605935 | | FRONT BUMPER | 1 |
| 2 | | | | |
| 3 | 608290 | | PAN HEAD PHILLIPS SCREW, #10 - 16 X 3/4" LG | 2 |
| 4 | 613373 | | PAN HEAD TORX SCREW WITH WASHER, M4.8 - 1.6 X 22 MM LG | 2 |
| 5 | 604066 | | FLAT WASHER, M10 | 4 |
| 6 | 600525 | | FLANGED HEX NUT, M10 -1.5..... | 2 |
| 7 | 612104 | | FRONT FASCIA ASSEMBLY WITH LIGHTS (INCLUDES ITEMS 8 - 9) | 1 |
| 8 | 620574 | | FRONT FASCIA WITH TURN SIGNALS | 2 |
| 9 | 611900 | | FRONT FASCIA BLOCK..... | 2 |
| 10 | | | | |
| 11 | | | | |
| 12 | | | | |
| 13 | | | | |
| 14 | 644117 | | CUP HOLDER ASSEMBLY (INCLUDES ITEMS 15 - 17)..... | 1 |
| 15 | 640706 | | CENTER CONSOLE | 1 |
| 16 | 608522 | | WARNING LABEL | 1 |
| 17 | 71364G02 | | J-TYPE SPEED NUT, #8 | 4 |
| 18 | 638348G05 | | CENTER COMPARTMENT (OPENING WITH 12V)..... | 1 |
| 19 | 638348G06 | | CENTER COMPARTMENT (OPENING WITH 12V AND USB) | 1 |
| 20 | 608290 | | PAN HEAD PHILLIPS SCREW, #10 - 16 X 3/4" LG | 4 |
| 21 | 71597G01 | | SELF THREADING NUT, .226"..... | 3 |
| 22 | | | | |
| 23 | 614043 | | IP WARNING LABEL, CE | 1 |
| 24 | 610793 | | CUP HOLDER LABEL..... | 1 |
| 25 | | | | |
| 26 | 603725 | | ASHTRAY | 1 |



THE USE OF NON U.L. PARTS WILL VOID ANY U.L. LISTING.

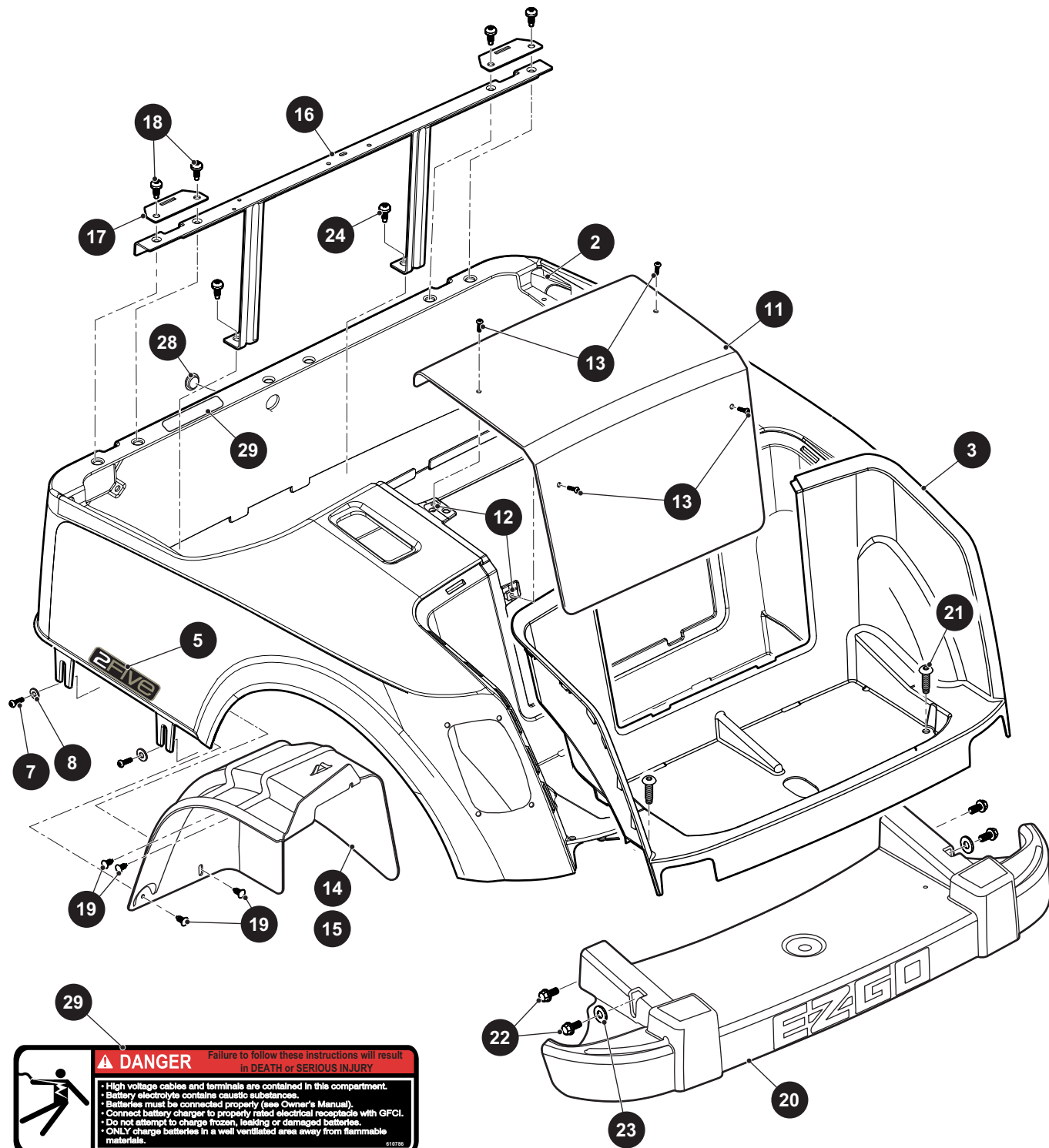
When ordering parts, please specify the model and serial number of the product.

* Indicates a component that is not available as an individual part.

*** Indicates consult Customer Service Department for additional information.

| ITEM | PART NO. | 1 2 3 4 5 | DESCRIPTION | QTY. |
|------|----------|-----------|---|------|
| 1 | 600225 | | FLOORBOARD | 1 |
| 2 | | | | |
| 3 | 16816G2 | | RATCHET RIVET, .25" X .887" | 5 |
| 4 | 16816G1 | | RATCHET RIVET, .25" X .680" | 2 |
| 5 | 604066 | | FLAT WASHER, M10 | 2 |
| 6 | 601257 | | UPPER ROCKER PANEL (DRIVER SIDE)..... | 1 |
| 7 | 600253 | | LOWER ROCKER PANEL (DRIVER SIDE)..... | 1 |
| 8 | 601258 | | UPPER ROCKER PANEL (PASSENGER SIDE) | 1 |
| 9 | 600257 | | LOWER ROCKER PANEL (PASSENGER SIDE) | 1 |
| 10 | 649804 | | BUTTON HEAD TORX SCREW, M8 - 3.5 X 30MM LG | 5 |
| 11 | | | | |
| 12 | 603707 | | FLOORMAT (HORN ATTACHMENT)..... | 1 |
| 13 | 602020 | | SOCKET HEAD TORX BOLT, M10 - 1.5 X 50 MM LG | 2 |
| 14 | | | | |
| 15 | 605277 | | PEDAL COVER PLATE..... | 1 |
| 16 | 16816G2 | | RATCHET RIVET, .25" X .887" | 4 |

1 REAR BODY ASSEMBLY WITH LIGHTS AND SEAT BELTS includes items 2 - 3



THE USE OF NON U.L. PARTS WILL VOID ANY U.L. LISTING.

When ordering parts, please specify the model and serial number of the product.

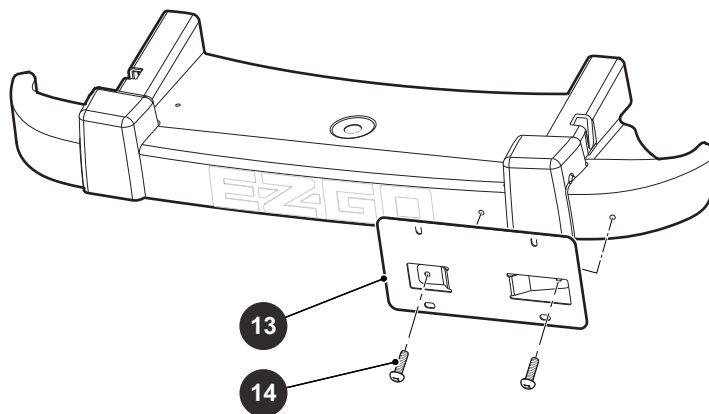
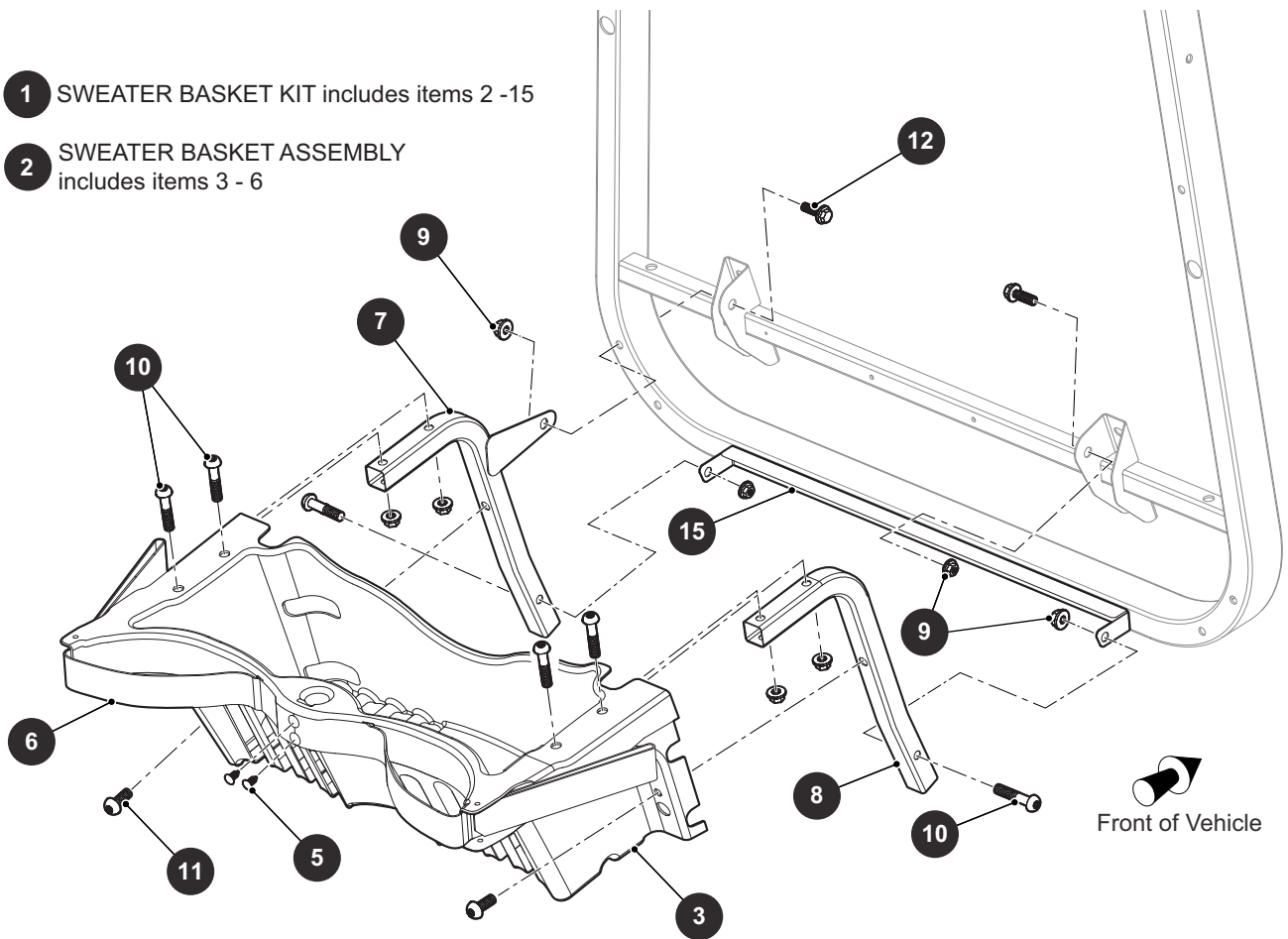
* Indicates a component that is not available as an individual part.

*** Indicates consult Customer Service Department for additional information.

| ITEM | PART NO. | 1 2 3 4 5 | DESCRIPTION | QTY. |
|------|-------------|-----------|---|------|
| 1 | 650353G03XX | | REAR BODY ASSEMBLY WITH LIGHTS AND SEAT BELTS (See COLOR CODES in HOW TO USE Section) (INCLUDES ITEMS 2 - 3).. | 1 |
| 2 | 650311G02XX | | BODY | 1 |
| 3 | 650254 | | BAGWELL LINER..... | 1 |
| 4 | | | | |
| 5 | 612839 | | 2 FIVE DECAL | 1 |
| 6 | | | | |
| 7 | 649804 | | BOSS TORX SCREW, M8 - 1 X 30 MM LG..... | 4 |
| 8 | 604066 | | FLAT WASHER, M10 | 4 |
| 9 | | | | |
| 10 | | | | |
| 11 | 650443 | | ACCESS COVER..... | 1 |
| 12 | 602409 | | BARREL CLIP, M6 - 1 | 4 |
| 13 | 601326 | | BUTTON HEAD TORX BOLT, M6 - 1 X 20 MM LG | 4 |
| 14 | 601621 | | REAR SPLASH GUARD (DRIVER SIDE)..... | 1 |
| 15 | 601622 | | REAR SPLASH GUARD (PASSENGER SIDE) | 1 |
| 16 | 601921 | | FRONT SEAT SUPPORT ASSEMBLY..... | 1 |
| 17 | 602558 | | SEAT HINGE PLATE..... | 1 |
| 18 | 602572 | | PAN HEAD TAPTITE BOLT, M10 - 1.5 X 25 MM LG | 2 |
| 19 | 16816G2 | | RATCHET RIVET, .25" X .887" | 4 |
| 20 | 610855 | | REAR BUMPER..... | 1 |
| 21 | 649804 | | BUTTON HEAD TORX SCREW, M8 - 3.50 X 30 MM LG | 2 |
| 22 | 603799 | | FLANGED HEX HEAD BOLT, M10 - 1.5 X 25 MM LG..... | 4 |
| 23 | 604066 | | FLAT WASHER, M10 | 2 |
| 24 | 602572 | | PAN HEAD TAPTITE BOLT, M10 - 1.5 X 25 MM LG | 2 |
| 25 | | | | |
| 26 | | | | |
| 27 | | | | |
| 28 | 71316G01 | | HOLE PLUG..... | 1 |
| 29 | 610786 | | HIGH VOLTAGE DANGER LABEL | 1 |

1 SWEATER BASKET KIT includes items 2 -15

2 SWEATER BASKET ASSEMBLY includes items 3 - 6



THE USE OF NON U.L. PARTS WILL VOID ANY U.L. LISTING.

When ordering parts, please specify the model and serial number of the product.

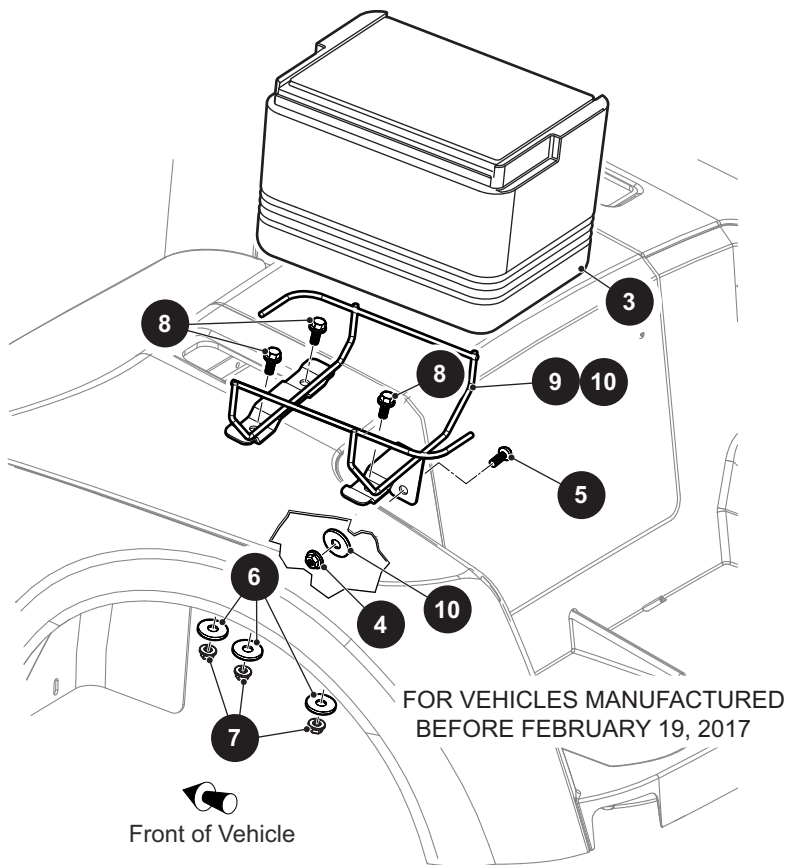
* Indicates a component that is not available as an individual part.

*** Indicates consult Customer Service Department for additional information.

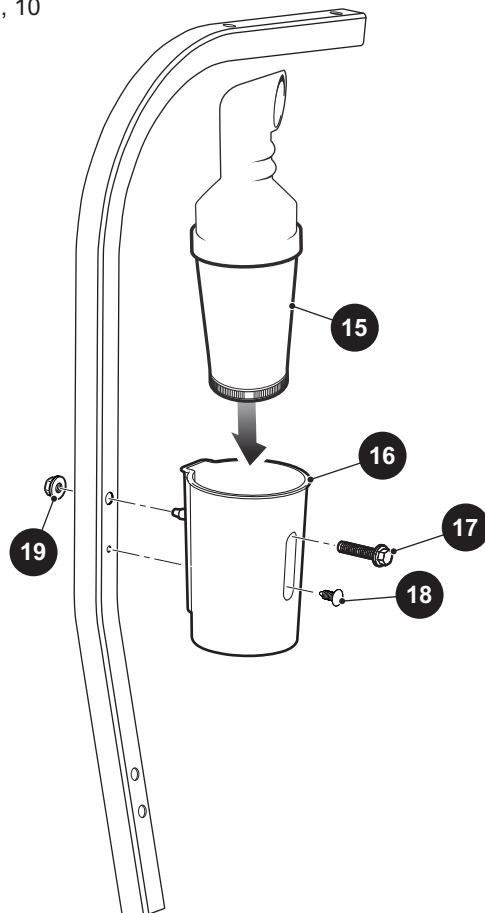
| ITEM | PART NO. | 1 2 3 4 5 | DESCRIPTION | QTY. |
|------|----------|-----------|--|------|
| 1 | 611968 | | SWEATER BASKET KIT (INCLUDES ITEMS 2 - 15) | 1 |
| 2 | 602742 | | SWEATER BASKET ASSEMBLY (INCLUDES ITEMS 3 - 6) | 1 |
| 3 | * | | SWEATER BASKET | 1 |
| 4 | 608051 | | BAG STRAP CLAMP (NOT ILLUSTRATED) | 2 |
| 5 | 16816G1 | | CHRISTMAS TREE RIVET, .25" X .680" | 2 |
| 6 | 71853G01 | | BAG RETAINER STRAP | 1 |
| 7 | 611965 | | SWEATER BASKET STRUT (DRIVER SIDE)..... | 1 |
| 8 | 612371 | | SWEATER BASKET STRUT (PASSENGER SIDE) | 1 |
| 9 | 600525 | | FLANGED HEX LOCK NUT, M10 - 1.5 | 10 |
| 10 | 600527 | | TORX BOLT, M10 - 1.5 X 60 MM LG..... | 6 |
| 11 | 600530 | | BOSS HEAD TORX BOLT, M10 - 1.5 X 25 MM LG..... | 2 |
| 12 | 603799 | | FLANGED HEX HEAD BOLT, M10 - 1.5 X 25 MM LG | 4 |
| 13 | 612018 | | LICENSE PLATE BRACKET (2 - PASSENGER) | 1 |
| 14 | 606277 | | BOSS TORX SCREW, M6 - 1 X 25 MM LG | 2 |
| 15 | 611850 | | LOWER MOUNT BRACKET | 1 |

1 BEVERAGE COOLER KIT (DRIVER SIDE) includes items 3 - 9

2 BEVERAGE COOLER KIT (PASSENGER SIDE) includes items 3 - 8, 10

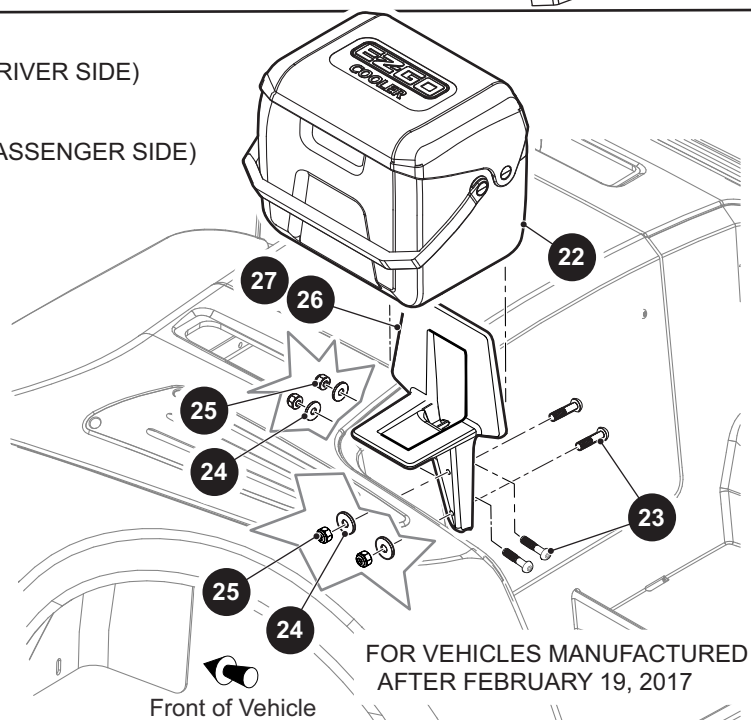


14 SAND BOTTLE KIT includes items 15 - 19



20 BEVERAGE COOLER KIT (DRIVER SIDE) includes items 22 - 26

21 BEVERAGE COOLER KIT (PASSENGER SIDE) includes items 22 - 25, 27



THE USE OF NON U.L. PARTS WILL VOID ANY U.L. LISTING.

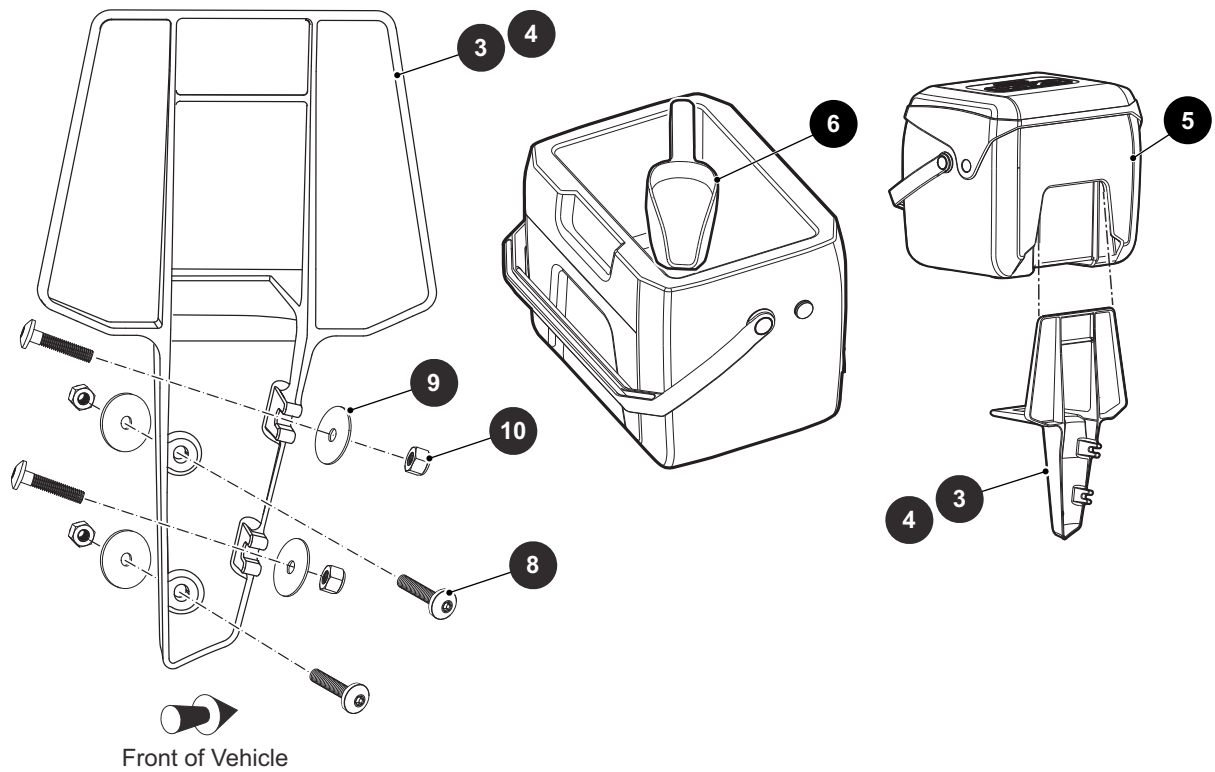
When ordering parts, please specify the model and serial number of the product.

* Indicates a component that is not available as an individual part.

*** Indicates consult Customer Service Department for additional information.

| ITEM | PART NO. | 1 2 3 4 5 | DESCRIPTION | QTY. |
|------|----------|-----------|---|------|
| 1 | 643098 | | BEVERAGE COOLER KIT (DRIVER SIDE) (INCLUDES ITEMS 3 - 9) (FOR VEHICLES MANUFACTURED BEFORE FEBRUARY 19, 2017) | 1 |
| 2 | 643096 | | BEVERAGE COOLER KIT (PASSENGER SIDE) (INCLUDES ITEMS 3 - 8, 10) (FOR VEHICLES MANUFACTURED BEFORE FEBRUARY 19, 2017) | 1 |
| 3 | 601366 | | BEVERAGE COOLER..... | 1 |
| 4 | 614974 | | TORQUE NUT, M10 - 1.5 | 1 |
| 5 | 600530 | | BUTTON HEAD TORX BOLT, M10 - 1.5 X 25 MM LG | 1 |
| 6 | 608520 | | FLAT WASHER, M10..... | 4 |
| 7 | 606274 | | FLANGED HEX NUT, M10 - 1.25 | 3 |
| 8 | 606256 | | FLANGED HEX HEAD BOLT, M10 - 1.25 X 25 MM LG | 3 |
| 9 | 643097 | | MOUNTING BRACKET (DRIVER SIDE)..... | 1 |
| 10 | 643095 | | MOUNTING BRACKET (PASSENGER SIDE) | 1 |
| 11 | | | | |
| 12 | | | | |
| 13 | | | | |
| 14 | 614179 | | SAND BOTTLE KIT (INCLUDES ITEMS 15 - 19)..... | 1 |
| 15 | 600612 | | SAND BOTTLE..... | 1 |
| 16 | 28660G01 | | SAND BOTTLE HOLDER..... | 1 |
| 17 | 603800 | | FLANGED HEX HEAD BOLT, M10 - 1.5 X 50 MM LG | 1 |
| 18 | 16816G2 | | RATCHET RIVET, .25" X .887" | 1 |
| 19 | 600525 | | LOCK NUT, M10 - 1.5..... | 1 |
| 20 | 659159 | | BEVERAGE COOLER KIT (DRIVER SIDE) (INCLUDES ITEMS 22 - 26) (FOR VEHICLES MANUFACTURED AFTER FEBRUARY 19, 2017) | 1 |
| 21 | 659157 | | BEVERAGE COOLER KIT (PASSENGER SIDE) (INCLUDES ITEMS 22 - 25, 27) (FOR VEHICLES MANUFACTURED AFTER FEBRUARY 19, 2017) | 1 |
| 22 | 658503 | | BEVERAGE COOLER..... | 1 |
| 23 | * | | TRUSS HEAD PHILLIPS SCREW, 1/4" - 20 X 1.25" LG | 4 |
| 24 | * | | FLAT WASHER, 1/4" | 4 |
| 25 | * | | LOCK NUT, 1/4" - 20 | 4 |
| 26 | 658504 | | MOUNTING BRACKET (DRIVER SIDE)..... | 1 |
| 27 | 658505 | | MOUNTING BRACKET (PASSENGER SIDE) | 1 |

- 1 SAND BUCKET KIT includes items 3, 5 - 7
- 2 SAND BUCKET KIT includes items 4 - 7
- 7 HARDWARE KIT includes items 8 - 10



THE USE OF NON U.L. PARTS WILL VOID ANY U.L. LISTING.

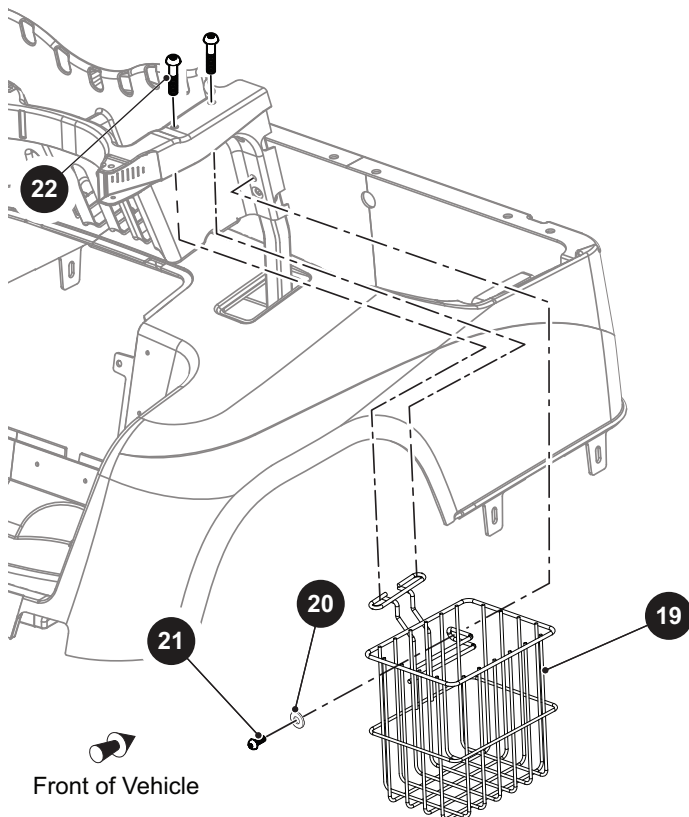
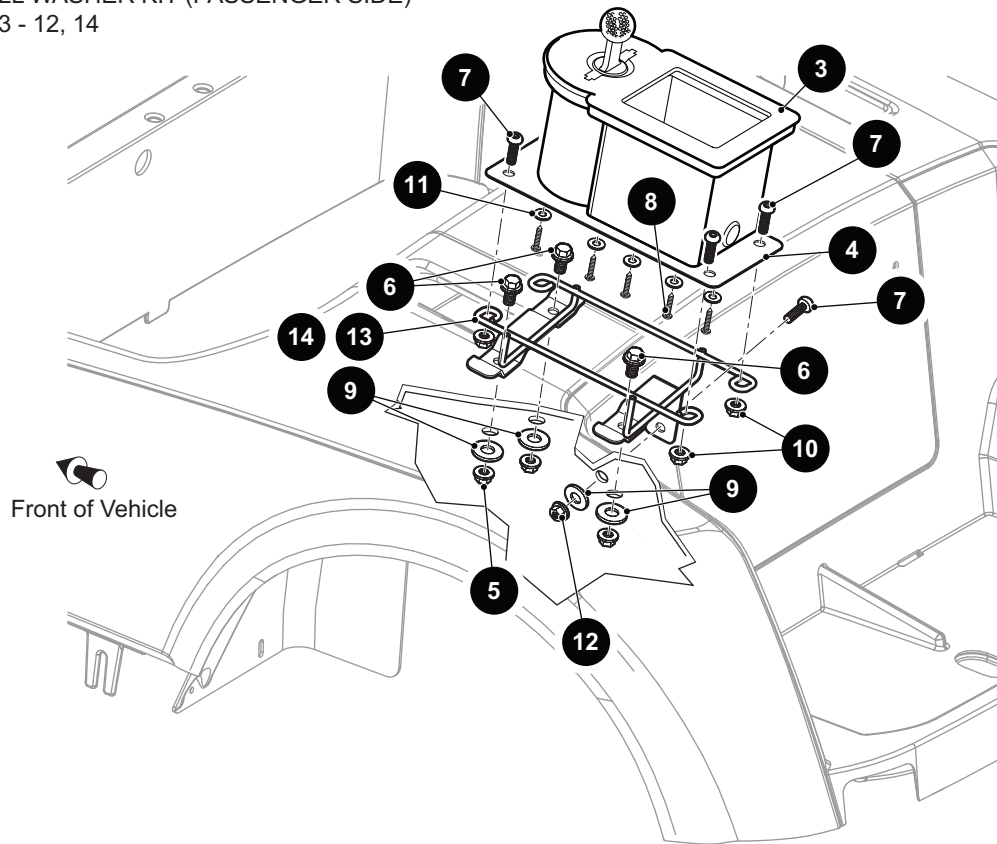
When ordering parts, please specify the model and serial number of the product.

* Indicates a component that is not available as an individual part.

*** Indicates consult Customer Service Department for additional information.

| ITEM | PART NO. | 1 2 3 4 5 | DESCRIPTION | QTY. |
|------|----------|-----------|---|------|
| 1 | 664388 | | SAND BUCKET KIT (DRIVER SIDE) (INCLUDES ITEMS 3, 5 - 7)..... | 1 |
| 2 | 664400 | | SAND BUCKET KIT (PASSENGER SIDE) (INCLUDES ITEMS 4 - 7) | 1 |
| 3 | 658504 | | BRACKET | 1 |
| 4 | 658505 | | BRACKET | 1 |
| 5 | 662248 | | SAND BUCKET | 1 |
| 6 | 74848G01 | | SCOOP..... | 1 |
| 7 | 659156 | | HARDWARE KIT (INCLUDES ITEMS 8 - 10) | 1 |
| 8 | * | | TRUSS HEAD TORX BOLTS, M6 - 1 X 30MM LG | 4 |
| 9 | * | | FLAT WASHERS, M6 - 30 | 4 |
| 10 | * | | HEX LOCK NUTS, M6 - 1 | 4 |

- 1** CLUB AND BALL WASHER KIT (DRIVER SIDE)
includes items 3 - 13
- 2** CLUB AND BALL WASHER KIT (PASSENGER SIDE)
includes items 3 - 12, 14



- 18** SIDE BASKET KIT (PASSENGER SIDE)
includes items 19 - 22

THE USE OF NON U.L. PARTS WILL VOID ANY U.L. LISTING.

When ordering parts, please specify the model and serial number of the product.

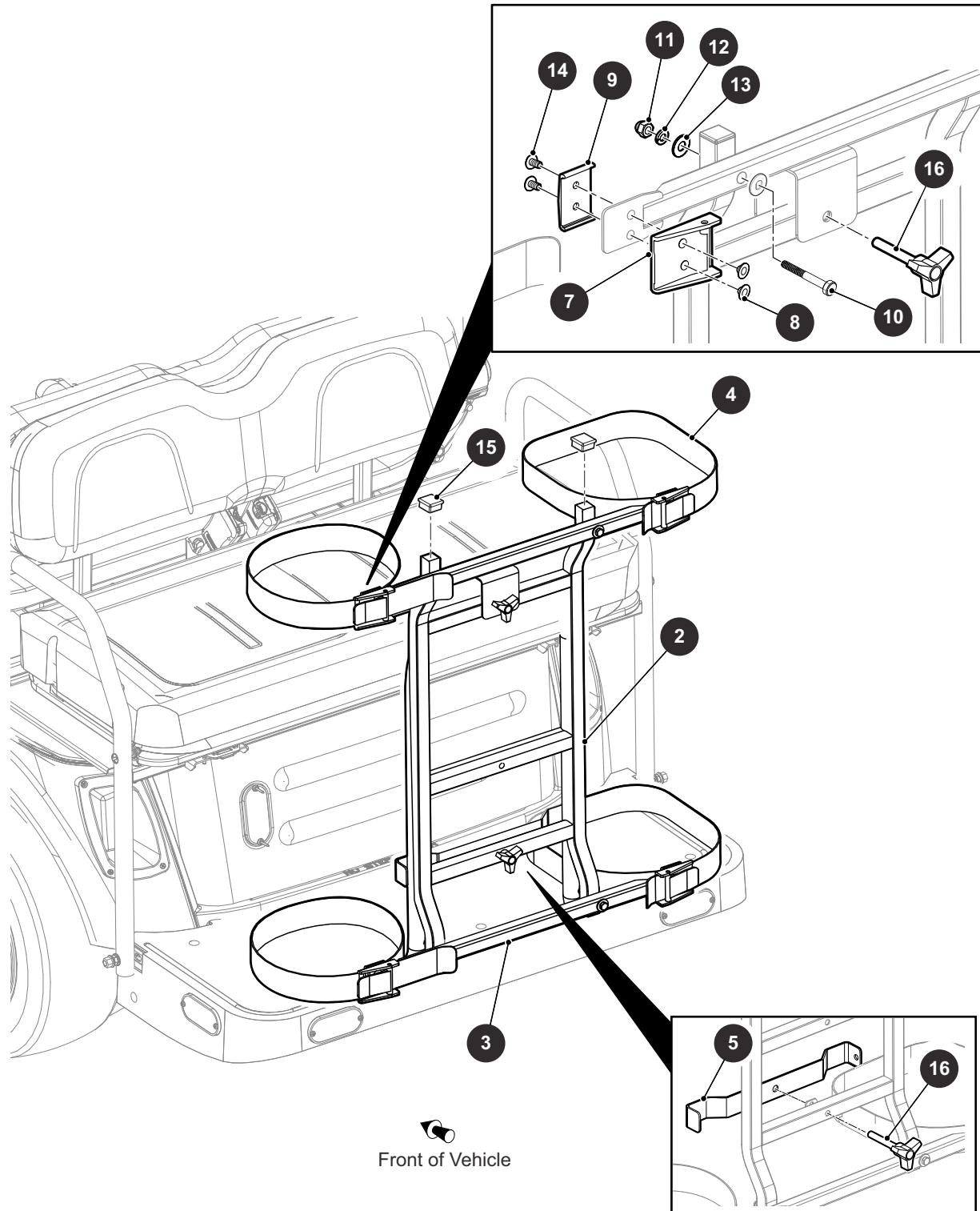
* Indicates a component that is not available as an individual part.

*** Indicates consult Customer Service Department for additional information.

| ITEM | PART NO. | 1 2 3 4 5 | DESCRIPTION | QTY. |
|------|----------|-----------|--|------|
| 1 | 643092 | | CLUB AND BALL WASHER KIT (DRIVER SIDE) (INCLUDES ITEMS 3 - 13) | 1 |
| 2 | 643094 | | CLUB AND BALL WASHER KIT (PASSENGER SIDE) (INCLUDES ITEMS 3 - 12, 14) | 1 |
| 3 | 603836 | | CLUB AND BALL WASHER | 1 |
| 4 | 604384 | | CLUB AND BALL WASHER PLATE | 1 |
| 5 | 606274 | | FLANGED HEX NUT, M10 - 1.25 | 3 |
| 6 | 606256 | | FLANGED HEX HEAD BOLT, M10 - 1.25 X 25 MM LG | 3 |
| 7 | 600530 | | BUTTON HEAD TORX BOLT, M10 - 1.5 X 25 MM LG | 5 |
| 8 | 608732 | | PAN HEAD PHILLIPS SCREW, M8 X 22 MM LG | 5 |
| 9 | 608520 | | FLAT WASHER, M10..... | 4 |
| 10 | 600525 | | LOCK NUT, M10 - 1.5..... | 4 |
| 11 | 608747 | | FLAT WASHER, M6 X 1.5 | 5 |
| 12 | 614974 | | TORQUE NUT, M10 - 1.5 | 1 |
| 13 | 643091 | | MOUNTING BRACKET (DRIVER SIDE)..... | 1 |
| 14 | 643093 | | MOUNTING BRACKET (PASSENGER SIDE) | 1 |
| 15 | | | | |
| 16 | | | | |
| 17 | | | | |
| 18 | 603254 | | SIDE BASKET KIT (PASSENGER SIDE) (INCLUDES ITEMS 19 - 22) | 1 |
| 19 | 603702 | | WIREFORM SIDE BASKET | 1 |
| 20 | 603823 | | FLAT WASHER, M10 - 22 | 1 |
| 21 | 600530 | | BOSS HEAD TORX BOLT, M10 - 1.5 X 25 MM LG..... | 1 |
| 22 | 600527 | | TORX BOLT, M10 - 1.5 X 60 MM LG..... | 2 |

1 TWO BAG ATTACHMENT KIT includes items 2 - 6

6 BAG ATTACHMENT HARDWARE KIT includes items 7 - 16



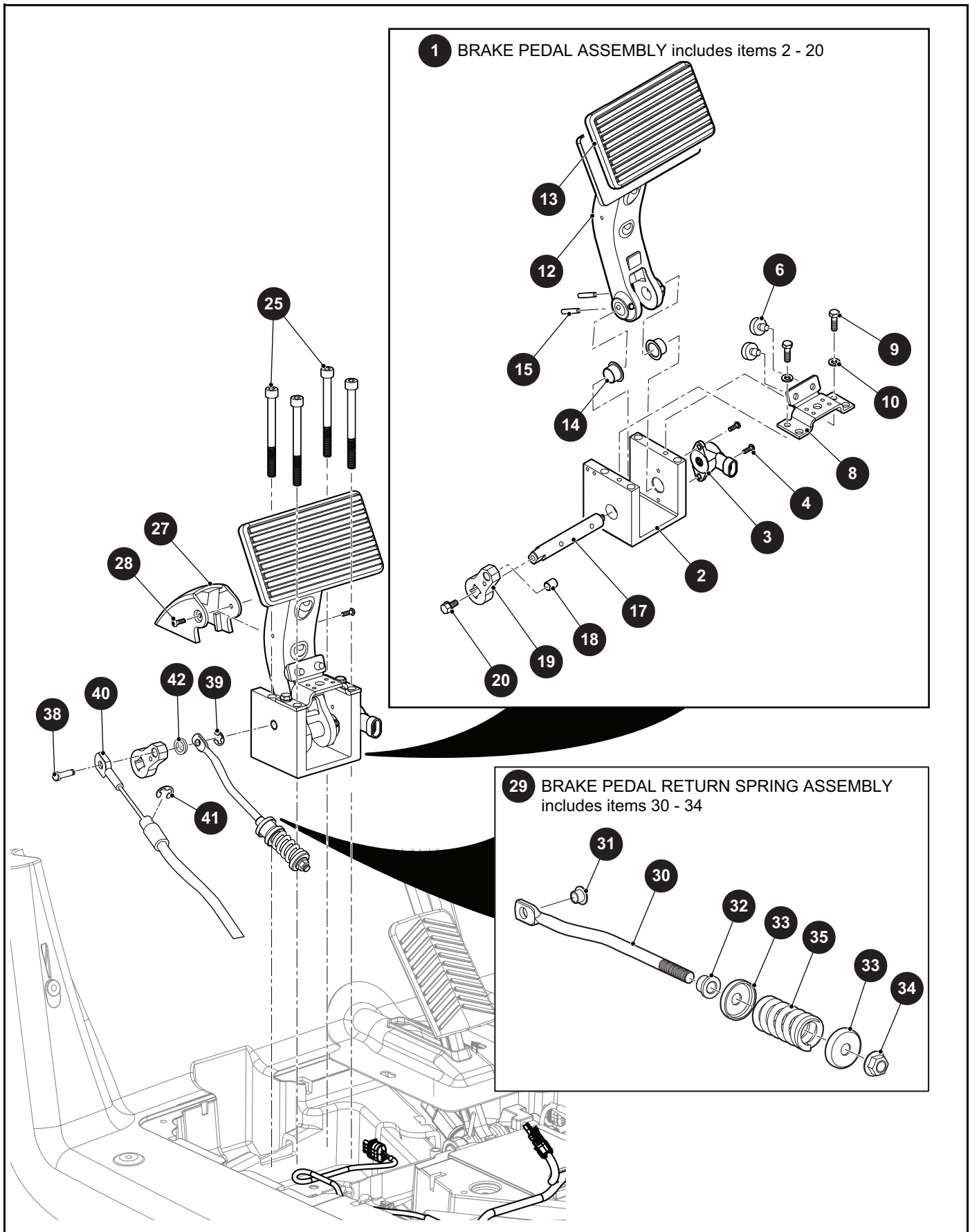
THE USE OF NON U.L. PARTS WILL VOID ANY U.L. LISTING.

When ordering parts, please specify the model and serial number of the product.

* Indicates a component that is not available as an individual part.

*** Indicates consult Customer Service Department for additional information.

| ITEM | PART NO. | 1 2 3 4 5 | DESCRIPTION | QTY. |
|------|----------|-----------|--|------|
| 1 | 617437 | | TWO BAG ATTACHMENT KIT (INCLUDES ITEMS 2 - 6)..... | 1 |
| 2 | 617440 | | BAG ATTACHMENT WELDMENT..... | 1 |
| 3 | 617438 | | BAG ATTACHMENT WELDMENT..... | 2 |
| 4 | 612733 | | BAG STRAP RETAINER..... | 4 |
| 5 | 618934 | | BAG SUPPORT BRACKET..... | 1 |
| 6 | 624351 | | BAG ATTACHMENT HARDWARE KIT (INCLUDES ITEMS 7 - 16)..... | 1 |
| 7 | 16920G1 | | STRAP RETAINER ASSEMBLY..... | 4 |
| 8 | 16935G1 | | TEE NUT 1/4" - 20..... | 8 |
| 9 | 16610G1 | | ANCHOR PLATE..... | 4 |
| 10 | 00272G4 | | HEX HEAD BOLT, 5/16" - 18 X 1.5" LG..... | 4 |
| 11 | 00918G3 | | ACORN NUT, 5/16"..... | 4 |
| 12 | 00565G8 | | LOCK WASHER, 5/16"..... | 4 |
| 13 | 00571G2 | | FLAT WASHER, 5/16"..... | 8 |
| 14 | 16705G4 | | TRUSS HEAD PHILLIPS SCREW (SS), 1/4" - 20 X 1/2" LG..... | 8 |
| 15 | 19853G1 | | CAP TUBE, 1" LG..... | 2 |
| 16 | 618881 | | KNOB, .375" X 2.5"..... | 2 |



THE USE OF NON U.L. PARTS WILL VOID ANY U.L. LISTING.

When ordering parts, please specify the model and serial number of the product.

* Indicates a component that is not available as an individual part.

*** Indicates consult Customer Service Department for additional information.

| ITEM | PART NO. | 1 2 3 4 5 | DESCRIPTION | QTY. |
|------|----------|-----------|---|------|
| 1 | 638237 | | BRAKE PEDAL ASSEMBLY (INCLUDES ITEMS 2 - 20)..... | 1 |
| 2 | * | | BRAKE ARM MOUNT..... | 1 |
| 3 | 600019 | | ROTARY POSITION SENSOR..... | 1 |
| 4 | 600543 | | BUTTON HEAD TORX BOLT, M4 - .75 X 12 MM LG..... | 2 |
| 5 | | | | |
| 6 | 604097 | | REBOUND BUMPER..... | 2 |
| 7 | | | | |
| 8 | 609226 | | SWITCH BUTTON BRACKET..... | 1 |
| 9 | 613231 | | HEX HEAD BOLT, M6 - 1 X 20 MM LG..... | 2 |
| 10 | 601327 | | LOCK WASHER (SS), M6..... | 2 |
| 11 | | | | |
| 12 | * | | BRAKE PEDAL..... | 1 |
| 13 | 610471 | | PEDAL COVER..... | 1 |
| 14 | * | | FLANGED BUSHING, 16 MM O.D. X 12 MM I.D..... | 2 |
| 15 | * | | SPIROL PIN, 5 MM X 30 MM..... | 2 |
| 16 | | | | |
| 17 | * | | PIVOT SHAFT..... | 1 |
| 18 | * | | SPLIT SLEEVE, 10MM O.D. X 8 MM I.D X 12 MM LG..... | 1 |
| 19 | 626146 | | BRAKE CABLE ARM (PULL)..... | 1 |
| 20 | 606265 | | FLANGED HEX HEAD BOLT, M6 - 1 X 12 MM LG..... | 1 |
| 21 | | | | |
| 22 | | | | |
| 23 | | | | |
| 24 | | | | |
| 25 | 605254 | | SOCKET HEAD CAP SCREW, M8 - 1.25 X 90 MM LG..... | 4 |
| 26 | | | | |
| 27 | 605688 | | BRAKE PEDAL COVER..... | 1 |
| 28 | 600543 | | BUTTON HEAD TORX BOLT, M4 -.75 X 12 MM LG..... | 2 |
| 29 | 613309 | | BRAKE PEDAL RETURN SPRING ASSEMBLY (INCLUDES ITEMS 30 - 34)..... | 1 |
| 30 | * | | BRAKE ROD..... | 1 |

BRAKES

THE USE OF NON U.L. PARTS WILL VOID ANY U.L. LISTING.

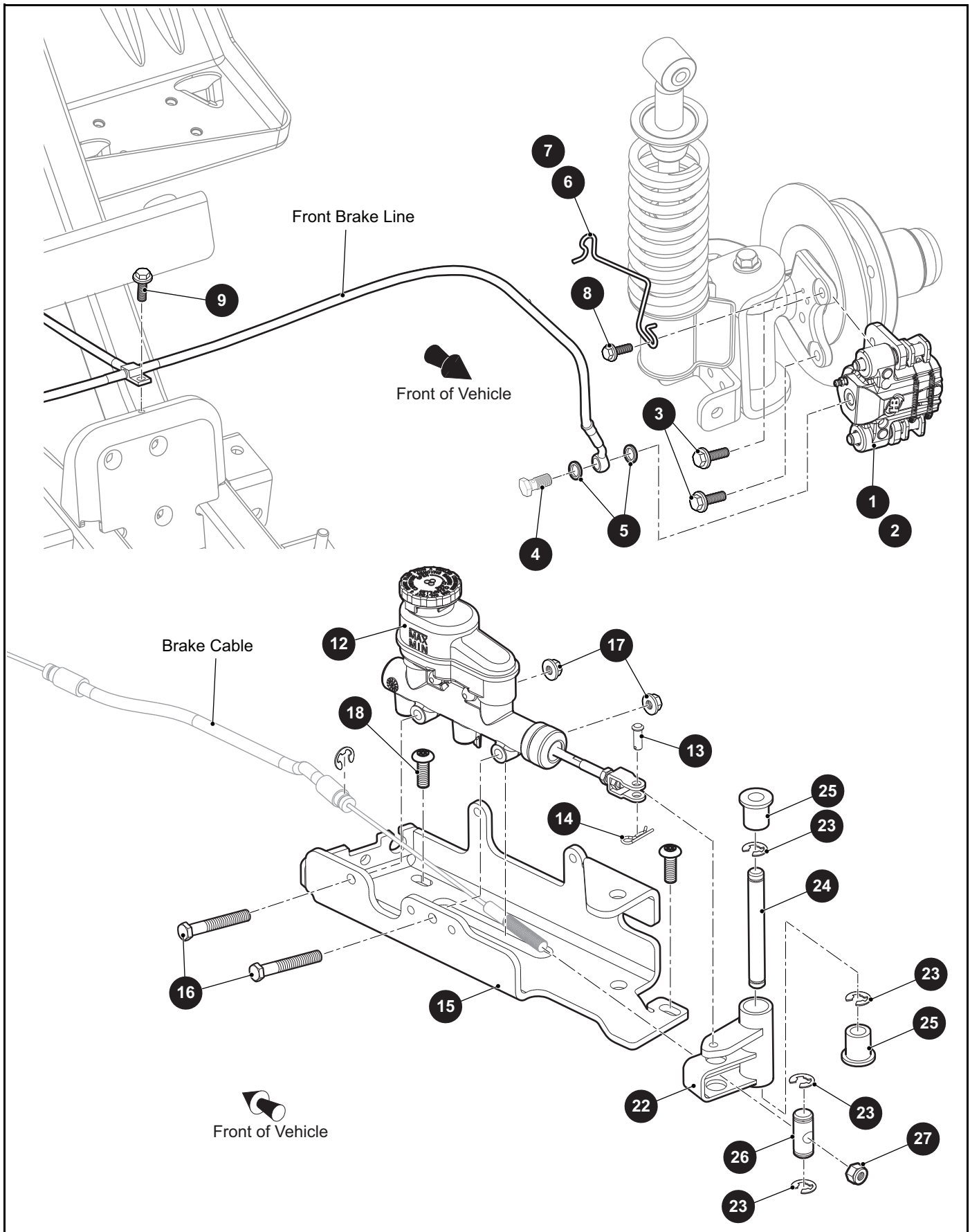
When ordering parts, please specify the model and serial number of the product.

* Indicates a component that is not available as an individual part.

*** Indicates consult Customer Service Department for additional information.

| ITEM | PART NO. | 1 | 2 | 3 | 4 | 5 | DESCRIPTION | QTY. |
|------|----------|---|---|---|---|---|---|------|
| 31 | * | | | | | | FLANGED BUSHING, 8 MM DIA..... | 1 |
| 32 | * | | | | | | BUSHING, 10.2 MM DIA..... | 1 |
| 33 | * | | | | | | SHOCK ABSORBER WASHER, 31 MM O.D. X 10.3 MM I.D | 2 |
| 34 | * | | | | | | FLANGED HEX HEAD LOCK NUT, M10 - 1.5..... | 1 |
| 35 | * | | | | | | SPRING..... | 1 |
| 36 | | | | | | | | |
| 37 | | | | | | | | |
| 38 | 614058 | | | | | | CLEVIS PIN, 8 MM X 31 MM | 1 |
| 39 | 601835 | | | | | | RETAINING RING, 8 MM | 1 |
| 40 | 613157 | | | | | | BRAKE CABLE..... | 1 |
| 41 | 01111G01 | | | | | | RETAINING RING, DIA .8" | 1 |
| 42 | 614763 | | | | | | FLAT WASHER, M13 | 1 |

BRAKES



BRAKES

THE USE OF NON U.L. PARTS WILL VOID ANY U.L. LISTING.

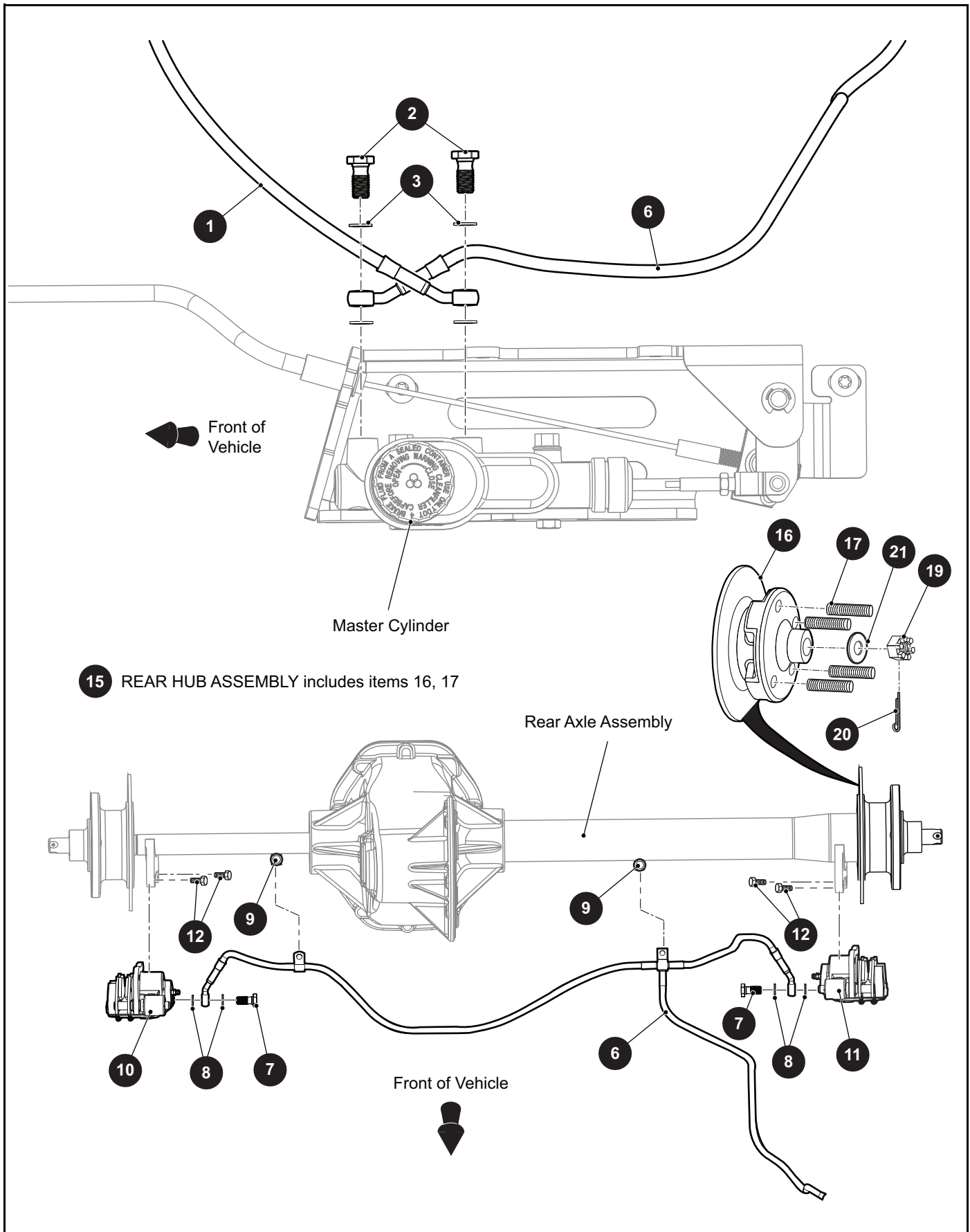
When ordering parts, please specify the model and serial number of the product.

* Indicates a component that is not available as an individual part.

*** Indicates consult Customer Service Department for additional information.

| ITEM | PART NO. | 1 2 3 4 5 | DESCRIPTION | QTY. |
|------|----------|-----------|--|------|
| 1 | 614875 | | BRAKE CALIPER (DRIVER SIDE) | 1 |
| 2 | 614876 | | BRAKE CALIPER (PASSENGER SIDE)..... | 1 |
| 3 | 606261 | | FLANGED HEX HEAD BOLT, M6 - 1 X 60 MM LG..... | 2 |
| 4 | 613292 | | BANJO BOLT, M10 - 1.25 X 20 MM LG | 1 |
| 5 | 613293 | | CRUSH WASHER, M10..... | 2 |
| 6 | 613365 | | WIREFORM (DRIVER SIDE)..... | 1 |
| 7 | 613366 | | WIREFORM (PASSENGER SIDE) | 1 |
| 8 | 606264 | | FLANGED HEX HEAD BOLT, M6 - 1 X 20 MM LG..... | 1 |
| 9 | 452695 | | HEX HEAD BOLT, M6 - 1 X 20 MM LG..... | 1 |
| 10 | | | | |
| 11 | | | | |
| 12 | 631593 | | MASTER CYLINDER..... | 1 |
| 13 | 10386G2 | | CLEVIS PIN, .438" X .938" LG..... | 1 |
| 14 | 01076G01 | | COTTER PIN, .094" X .75" LG..... | 1 |
| 15 | 613147 | | MASTER CYLINDER BRACKET | 1 |
| 16 | 00439G8 | | HEX HEAD BOLT, 5/16" - 18 X 1 1/8" LG | 2 |
| 17 | 800697 | | CROWN LOCK NUT, 5/16" - 18..... | 2 |
| 18 | 649804 | | BUTTON HEAD TORX SCREW, M8 - 3.50 X 30 MM LG | 2 |
| 19 | | | | |
| 20 | | | | |
| 21 | | | | |
| 22 | 613154 | | BELL CRANK WELDMENT | 1 |
| 23 | 01111G01 | | RETAINING RING..... | 5 |
| 24 | 613152 | | BELL CRANK SHAFT | 1 |
| 25 | 70581G01 | | BUSHING (ACETAL)..... | 2 |
| 26 | 613331 | | BELL CRANK PIN..... | 1 |
| 27 | 614261 | | LOCK NUT, 3/8" - 24..... | 1 |

BRAKES



15 REAR HUB ASSEMBLY includes items 16, 17

Rear Axle Assembly

Front of Vehicle

BRAKES

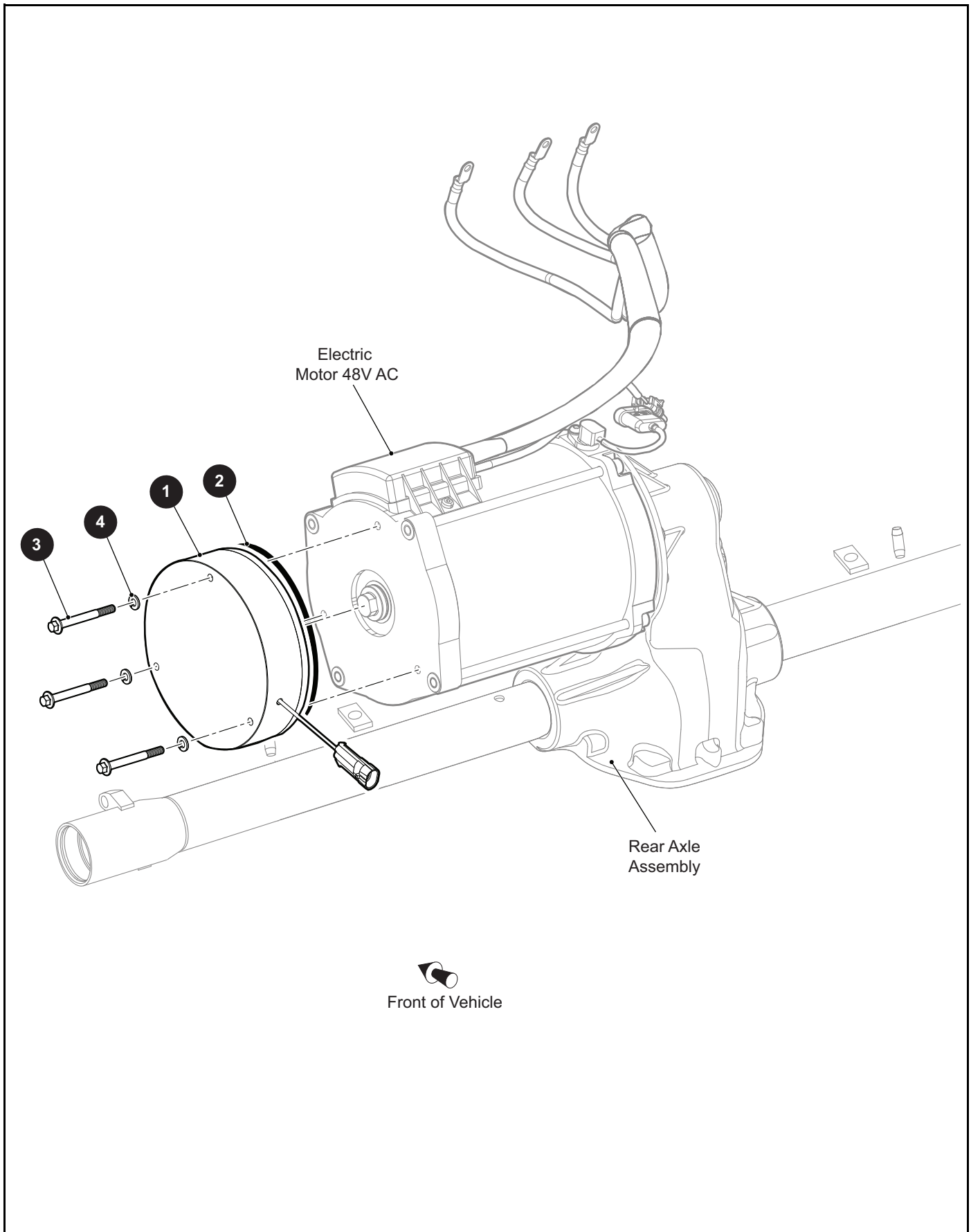
THE USE OF NON U.L. PARTS WILL VOID ANY U.L. LISTING.

When ordering parts, please specify the model and serial number of the product.

* Indicates a component that is not available as an individual part.

*** Indicates consult Customer Service Department for additional information.

| ITEM | PART NO. | 1 2 3 4 5 | DESCRIPTION | QTY. |
|------|----------|-----------|---|------|
| 1 | 613289 | | FRONT BRAKE LINE (SS) | 1 |
| 2 | 613292 | | BANJO BOLT, M10 - 1.25 X 20 MM LG | 2 |
| 3 | 613293 | | CRUSH WASHER, M10..... | 4 |
| 4 | | | | |
| 5 | | | | |
| 6 | 613290 | | REAR BRAKE LINE (SS)..... | 1 |
| 7 | 613292 | | BANJO BOLT, M10 - 1.25 X 20 MM LG | 2 |
| 8 | 613293 | | CRUSH WASHER, M10..... | 4 |
| 9 | 452695 | | HEX HEAD BOLT, M6 - 1 X 20 MM LG..... | 2 |
| 10 | 614876 | | BRAKE CALIPER (PASSENGER SIDE)..... | 1 |
| 11 | 614875 | | BRAKE CALIPER (DRIVER SIDE) | 1 |
| 12 | 606261 | | FLANGED HEX HEAD BOLT, M6 - 1 X 60 MM LG..... | 4 |
| 13 | | | | |
| 14 | | | | |
| 15 | 617121 | | REAR HUB ASSEMBLY (INCLUDES ITEMS 16, 17) | 1 |
| 16 | 615388 | | REAR HUB DISC BRAKE | 1 |
| 17 | 614820 | | WHEEL STUD | 4 |
| 18 | | | | |
| 19 | 613172 | | CASTELLATED NUT, 3/4" - 16 | 1 |
| 20 | 10387G1 | | COTTER PIN, .125" X 1.50" LG..... | 1 |
| 21 | 21830G1 | | BRAKE DRUM WASHER, .765" I.D. X 1.5" O.D..... | 1 |



THE USE OF NON U.L. PARTS WILL VOID ANY U.L. LISTING.

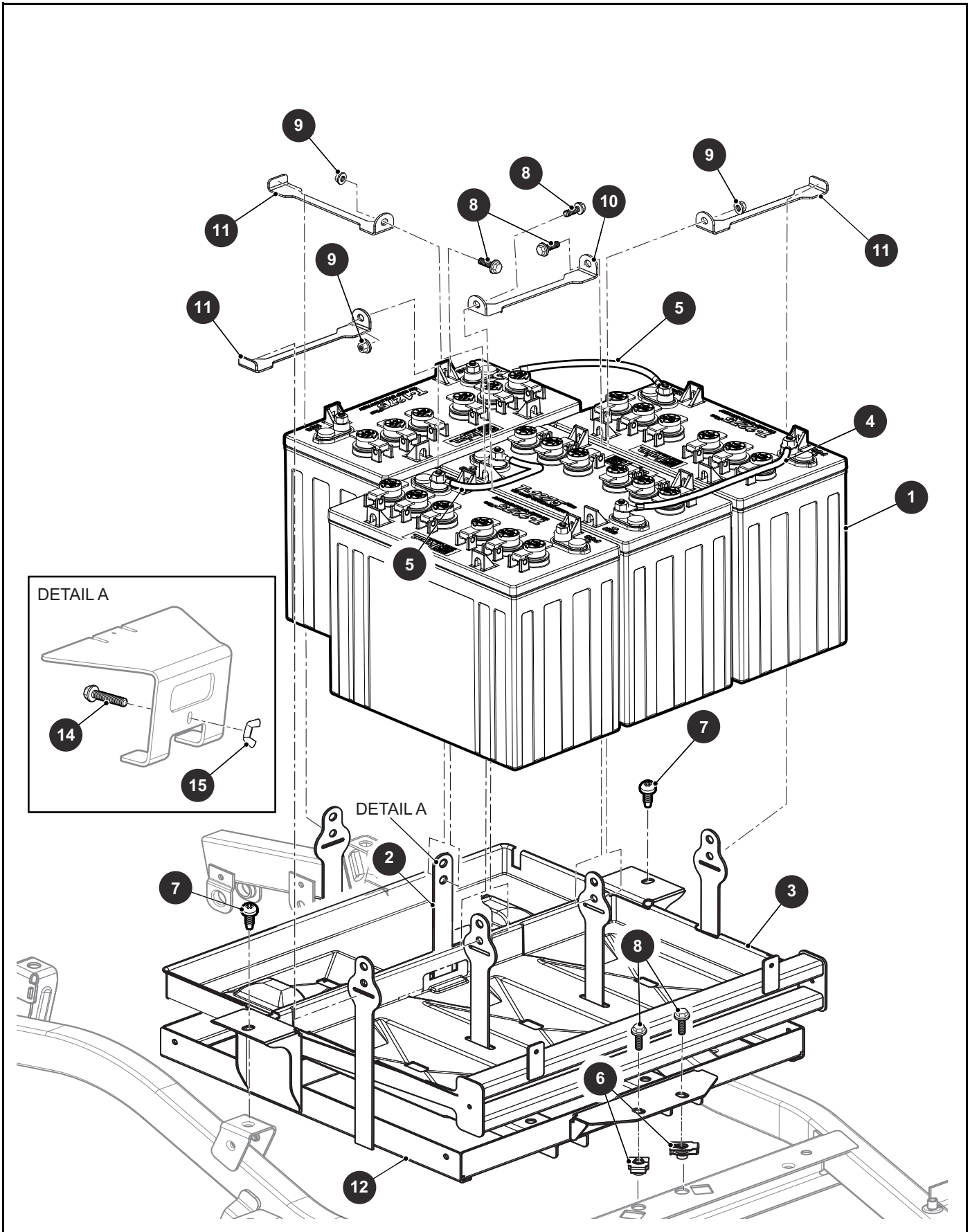
When ordering parts, please specify the model and serial number of the product.

* Indicates a component that is not available as an individual part.

*** Indicates consult Customer Service Department for additional information.

| ITEM | PART NO. | 1 2 3 4 5 | DESCRIPTION | QTY. |
|------|----------|-----------|---|------|
| 1 | 630894 | | E - BRAKE | 1 |
| 2 | 628550 | | O - RING, DIA 152 MM | 1 |
| 3 | 73715G01 | | FLANGED HEX HEAD BOLT, M6 - 1 X 60 MM LG..... | 3 |
| 4 | 00664G7 | | LOCK WASHER (SS), 25 MM | 3 |

ELECTRICAL SYSTEM



ELECTRICAL SYSTEM

THE USE OF NON U.L. PARTS WILL VOID ANY U.L. LISTING.

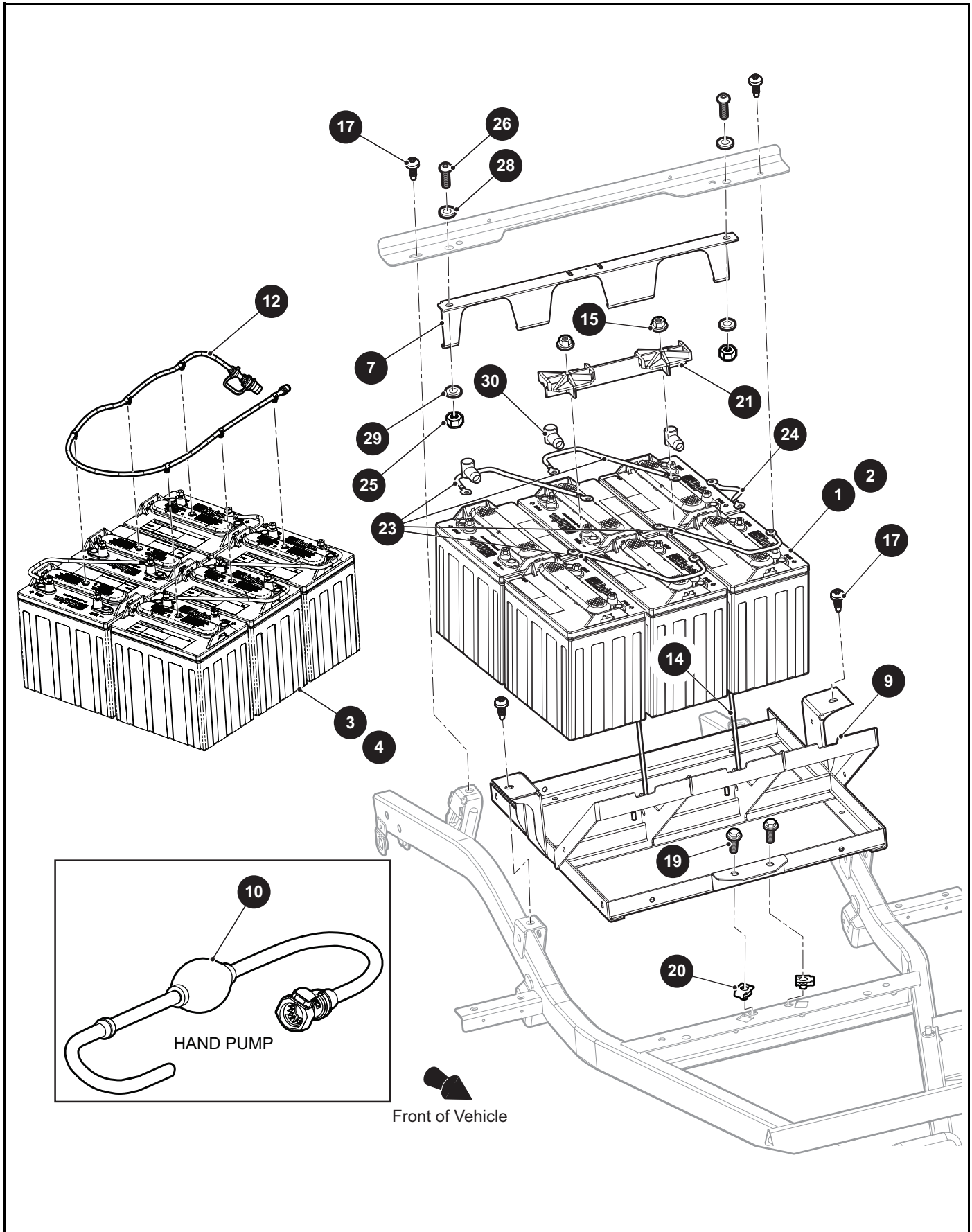
When ordering parts, please specify the model and serial number of the product.

* Indicates a component that is not available as an individual part.

*** Indicates consult Customer Service Department for additional information.

| ITEM | PART NO. | 1 2 3 4 5 | DESCRIPTION | QTY. |
|------|----------|-----------|---|------|
| 1 | 607906 | | TROJAN BATTERY, T1275 | 4 |
| 2 | 614165 | | REMOVABLE UPRIGHT HOLD DOWN | 1 |
| 3 | 611258 | | BATTERY TRAY LINER | 1 |
| 4 | 607057 | | BLUE WIRE ASSEMBLY, 6AG, 325 MM..... | 1 |
| 5 | 602930 | | BLUE WIRE ASSEMBLY, 6AG, 261 MM..... | 2 |
| 6 | 603818 | | BARREL CLIP, M10 - 1.5 | 2 |
| 7 | 602572 | | PAN HEAD TAPTITE BOLT, M10 - 1.5 X 25 MM LG | 2 |
| 8 | 603799 | | FLANGED HEX HEAD BOLT, M10 - 1.5 X 25 MM LG..... | 5 |
| 9 | 600525 | | FLANGED HEX LOCK NUT, M10 - 1.5..... | 3 |
| 10 | 609159 | | BATTERY HOLD DOWN, MIDDLE | 1 |
| 11 | 614107 | | BATTERY HOLD DOWN, OUTER..... | 3 |
| 12 | 611364 | | BATTERY TRAY WELDMENT | 1 |
| 13 | | | | |
| 14 | 548604 | | FLANGED HEX HEAD BOLT, 5/16" - 18 X 3/4" LG | 1 |
| 15 | 800315 | | WING NUT, 5/16" - 18..... | 1 |

ELECTRICAL SYSTEM



ELECTRICAL SYSTEM

THE USE OF NON U.L. PARTS WILL VOID ANY U.L. LISTING.

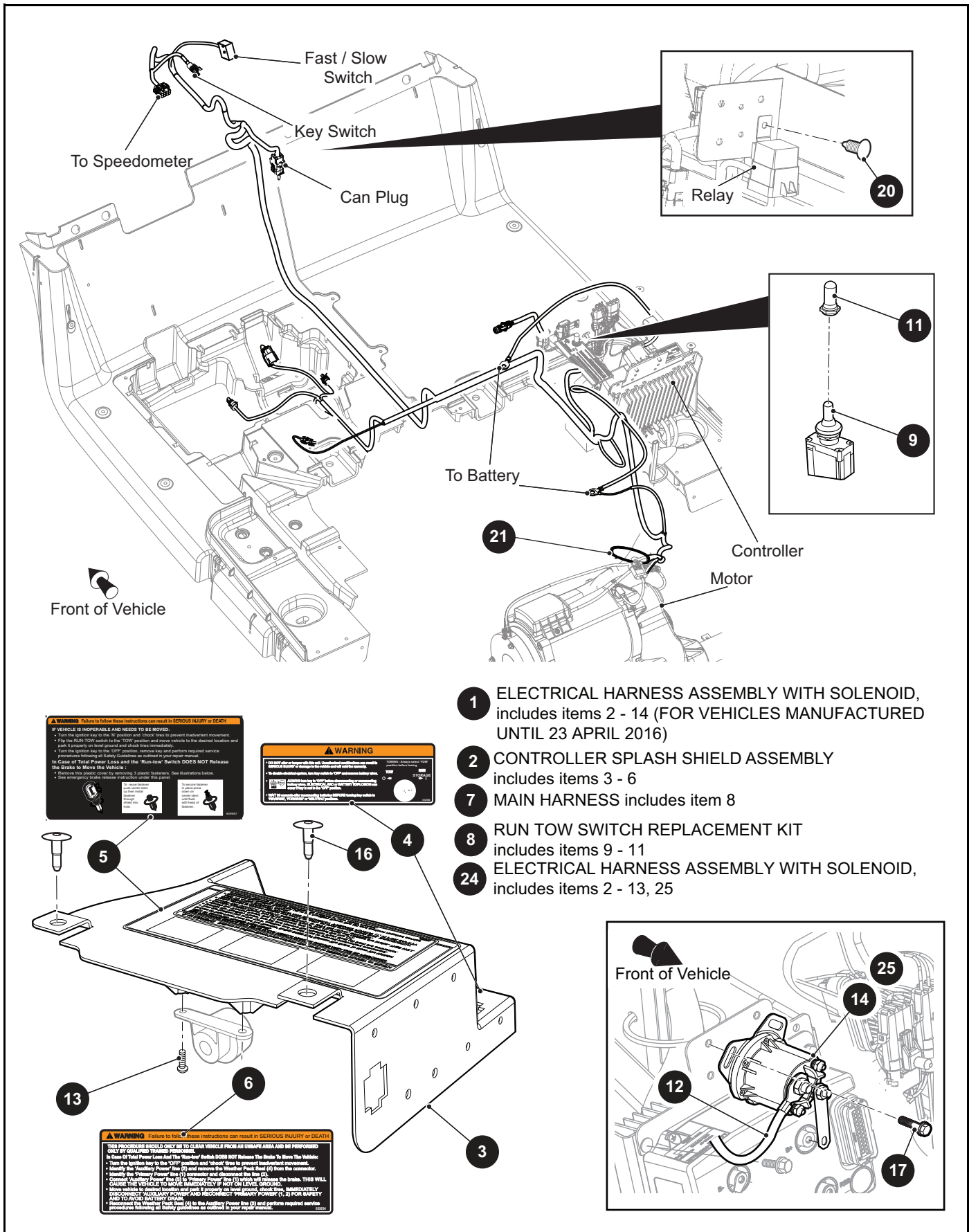
When ordering parts, please specify the model and serial number of the product.

* Indicates a component that is not available as an individual part.

*** Indicates consult Customer Service Department for additional information.

| ITEM | PART NO. | 1 2 3 4 5 | DESCRIPTION | QTY. |
|------|----------|-----------|--|------|
| 1 | 612626 | | BATTERY, 8V | 6 |
| 2 | 614382 | | BATTERY, 8V, HYDROLINK | 6 |
| 3 | 618594 | | BATTERY, 8V (FOR VEHICLES MANUFACTURED UNTIL NOV 28, 2015)... | 6 |
| 4 | 618595 | | BATTERY, 8V, HYDROLINK (FOR VEHICLES MANUFACTURED UNTIL NOV 28, 2015)..... | 6 |
| 5 | | | | |
| 6 | | | | |
| 7 | 628618 | | BATTERY RETAINER - TALL, GALVANIZED | 1 |
| 8 | | | | |
| 9 | 628617 | | BATTERY TRAY WELDMENT, GALVANIZED | 1 |
| 10 | 676122 | | TROJAN HAND PUMP KIT..... | 1 |
| 11 | | | | |
| 12 | 614457 | | SNAKE, HYDROLINK..... | 1 |
| 13 | | | | |
| 14 | 01101G01 | | TIE DOWN BOLT | 2 |
| 15 | 11027G1 | | FLANGED LOCK NUT, 5/16" - 18..... | 2 |
| 16 | | | | |
| 17 | 602572 | | PAN HEAD TAPTITE BOLT, M10 - 1.5 X 25 MM LG | 2 |
| 18 | | | | |
| 19 | 603799 | | FLANGED HEX HEAD BOLT, M10 - 1.5 X 25 MM LG..... | 2 |
| 20 | 603818 | | BARREL CLIP, M10 - 1.5 | 2 |
| 21 | 612867 | | RETAINER | 1 |
| 22 | | | | |
| 23 | 613236 | | BLUE WIRE ASSEMBLY, 6AWG, 380 MM LG..... | 4 |
| 24 | 613237 | | BLUE WIRE ASSEMBLY, 6AWG, 150 MM LG..... | 1 |
| 25 | 616673 | | LOCK NUT, M8 X 1.25..... | 2 |
| 26 | 628635 | | BUTTON HEAD BOLT, M8 - 1.25 X 30 MM LG | 2 |
| 27 | | | | |
| 28 | 604066 | | FLAT WASHER, M10 - 1.5..... | 2 |
| 29 | 00571G2 | | FLAT WASHER, 5/16"..... | 2 |
| 30 | 840177 | | TERMINAL BOOT | 3 |

ELECTRICAL SYSTEM



- 1 ELECTRICAL HARNESS ASSEMBLY WITH SOLENOID, includes items 2 - 14 (FOR VEHICLES MANUFACTURED UNTIL 23 APRIL 2016)
- 2 CONTROLLER SPLASH SHIELD ASSEMBLY includes items 3 - 6
- 7 MAIN HARNESS includes item 8
- 8 RUN TOW SWITCH REPLACEMENT KIT includes items 9 - 11
- 24 ELECTRICAL HARNESS ASSEMBLY WITH SOLENOID, includes items 2 - 13, 25

ELECTRICAL SYSTEM

THE USE OF NON U.L. PARTS WILL VOID ANY U.L. LISTING.

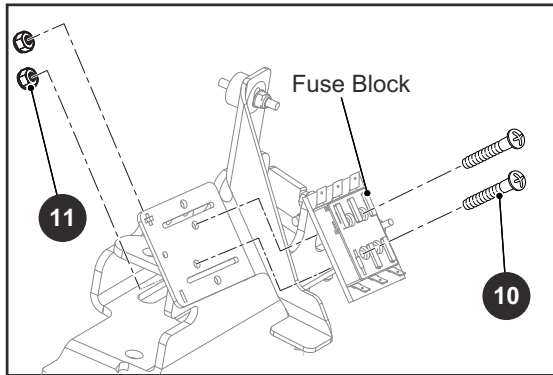
When ordering parts, please specify the model and serial number of the product.

* Indicates a component that is not available as an individual part.

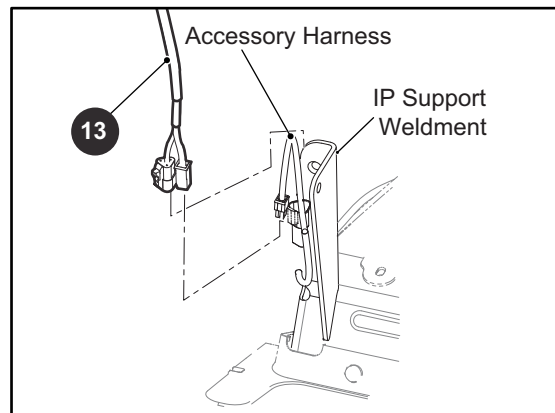
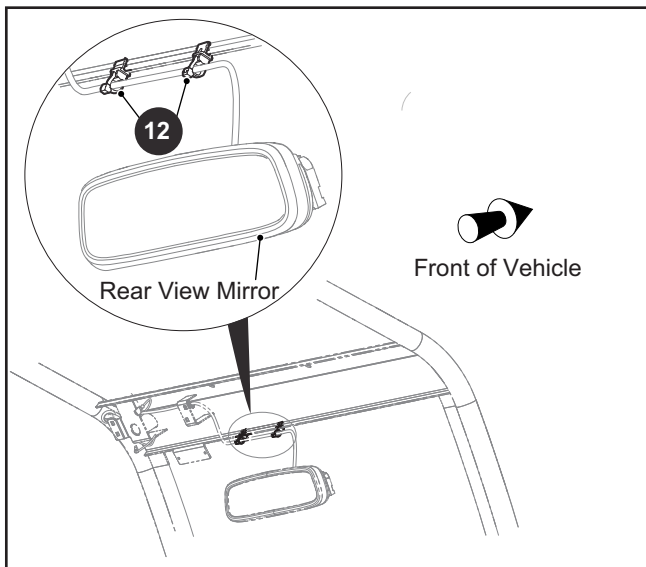
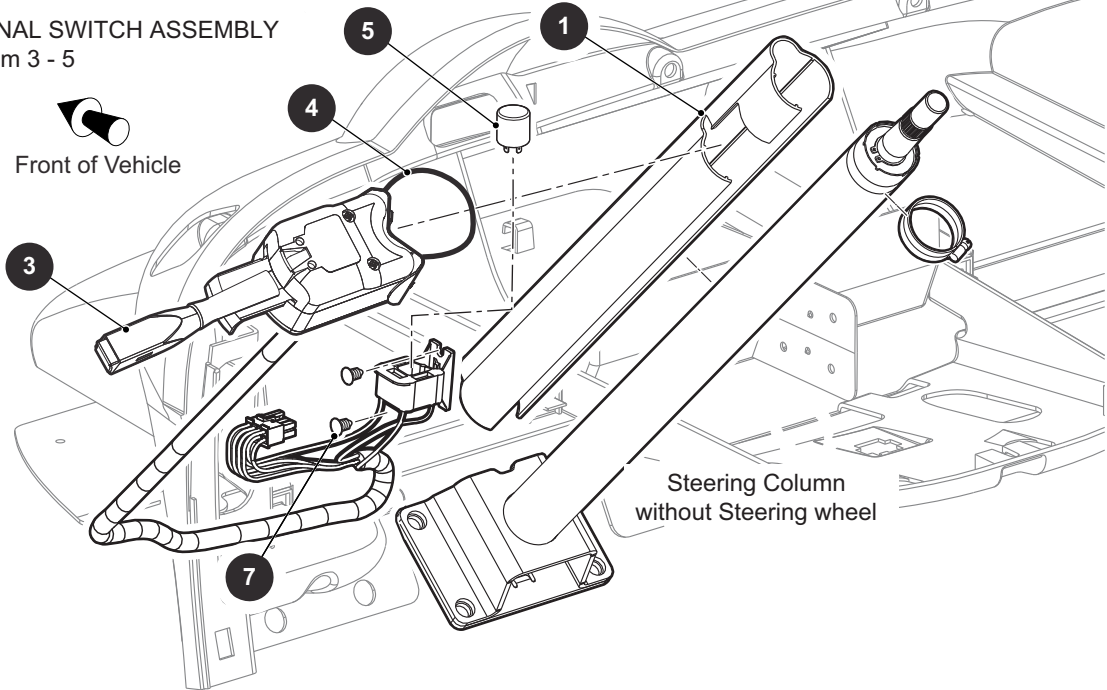
*** Indicates consult Customer Service Department for additional information.

| ITEM | PART NO. | 1 2 3 4 5 | DESCRIPTION | QTY. |
|------|----------|-----------|---|------|
| 1 | 649038 | | ELECTRICAL HARNESS ASSEMBLY WITH SOLENOID (INCLUDES ITEMS 2 - 14) FOR VEHICLES MANUFACTURED UNTIL 23 APRIL 2016 | 1 |
| 2 | 612423 | | CONTROLLER SPLASH SHIELD ASSEMBLY (INCLUDES ITEMS 3 - 6)..... | 1 |
| 3 | 612422 | | SPLASH SHIELD CONTROLLER | 1 |
| 4 | 612594 | | TOW SWITCH LABEL..... | 1 |
| 5 | 609987 | | MAINTENANCE/TOWING LABEL | 1 |
| 6 | 609694 | | TOWING INSTRUCTION NOTICE LABEL | 1 |
| 7 | 669735 | | MAIN HARNESS (INCLUDES ITEM 8) | 1 |
| 8 | 608900 | | RUN TOW SWITCH REPLACENMENT KIT (INCLUDES ITEMS 9 - 11)..... | 1 |
| 9 | 606980 | | RUN TOW SWITCH | 1 |
| 10 | 608896 | | WATERPROOF BUTT SPLICE (NOT ILLUSTRATED) | 2 |
| 11 | 655019 | | RUBBER BOOT..... | 1 |
| 12 | 609760 | | RED WIRE ASSEMBLY, 6 AWG, 650MM | 1 |
| 13 | 01051G01 | | PAN HEAD PHILLIPS SCREW, # 8 - 16 X 1/2" LG | 2 |
| 14 | 624428 | | SOLENOID, 36V..... | 1 |
| 15 | | | | |
| 16 | 610487 | | RIVET (PLASTIC), .256" | 3 |
| 17 | 71102G02 | | HEX HEAD BOLT, 1/4" - 20 X 1/2" LG | 2 |
| 18 | | | | |
| 19 | | | | |
| 20 | 16816G2 | | RATCHET FASTENER, 1/4" X 3/4" LG..... | 1 |
| 21 | 17618G1 | | NYLON CLAMP, 8" LG..... | AR |
| 22 | | | | |
| 23 | | | | |
| 24 | 670563 | | ELECTRICAL HARNESS ASSEMBLY WITH SOLENOID (INCLUDES ITEMS 2 -13, 25) | 1 |
| 25 | 649369 | | SOLENOID, 48V..... | 1 |

ELECTRICAL SYSTEM



2 TURN SIGNAL SWITCH ASSEMBLY includes item 3 - 5



ELECTRICAL SYSTEM

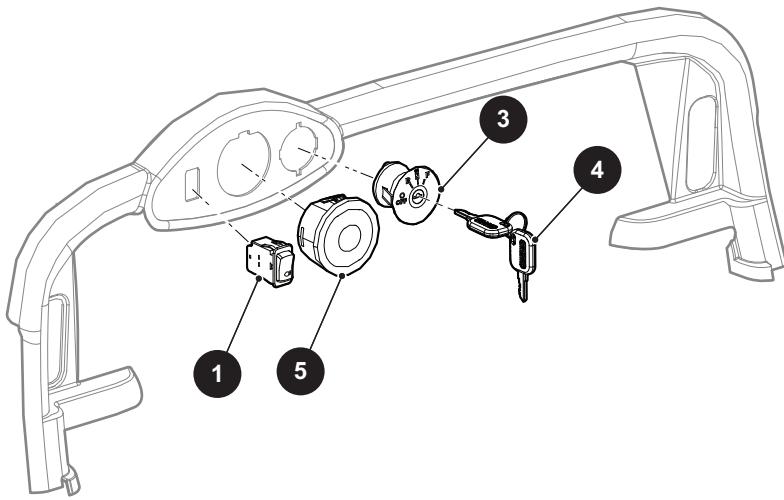
THE USE OF NON U.L. PARTS WILL VOID ANY U.L. LISTING.

When ordering parts, please specify the model and serial number of the product.

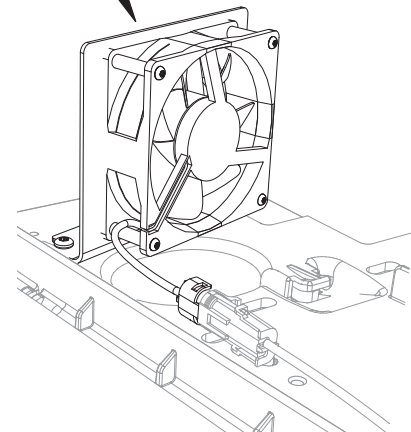
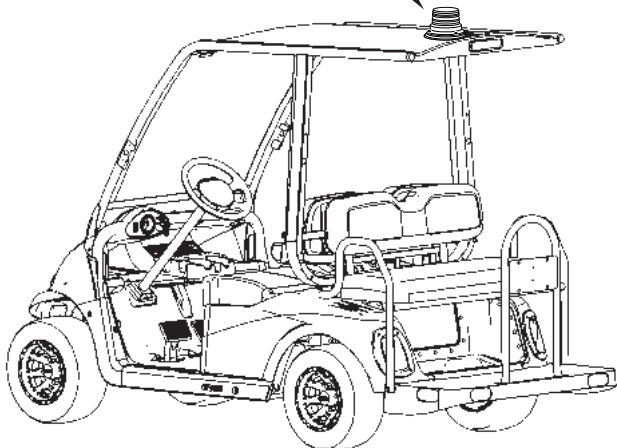
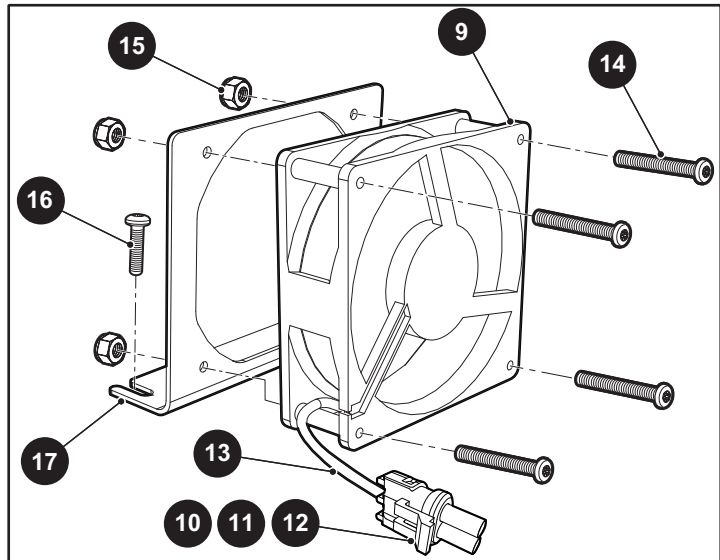
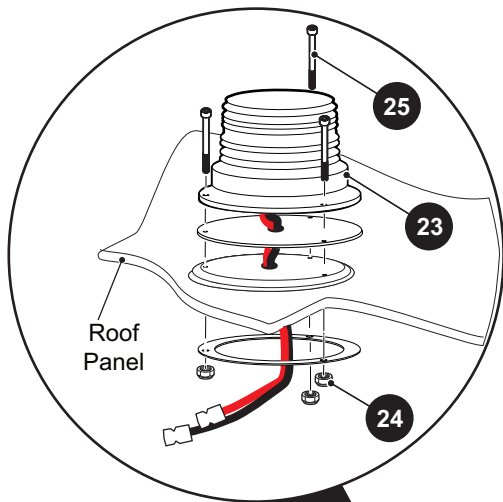
* Indicates a component that is not available as an individual part.

*** Indicates consult Customer Service Department for additional information.

| ITEM | PART NO. | 1 2 3 4 5 | DESCRIPTION | QTY. |
|------|----------|-----------|--|------|
| 1 | 20965G3 | | COVER (STEERING COLUMN)..... | 1 |
| 2 | 615236 | | TURN SIGNAL SWITCH ASSEMBLY (INCLUDES ITEMS 3 - 5) | 1 |
| 3 | 615238 | | TURN SIGNAL SWITCH | 1 |
| 4 | 11391G5 | | HOSE CLAMP | 1 |
| 5 | 604367 | | FLASHER UNIT..... | 1 |
| 6 | | | | |
| 7 | 16816G5 | | RATCHET RIVET, .187" X .550" LG..... | 2 |
| 8 | 31539G1 | | NYLON CLAMP (NOT ILLUSTRATED) | AR |
| 9 | | | | |
| 10 | 00379G2 | | PAN HEAD PHILLIPS SCREW, #10 - 24 X 1 1/4" LG | 2 |
| 11 | 14390G10 | | LOCK NUT, #10 - 24 | 2 |
| 12 | 646439 | | EDGE CLIP CABLE TIE..... | 2 |
| 13 | 669746 | | STROBE HARNESS (WIPER AND CAMERA)..... | 1 |



- 2** KEY SWITCH ASSEMBLY
includes items 3 - 4
- 8** A/C FAN CONTROLLER ASSEMBLY
includes items 9 - 13
- 22** STROBE LIGHT KIT
includes items 23 - 25



ELECTRICAL SYSTEM

THE USE OF NON U.L. PARTS WILL VOID ANY U.L. LISTING.

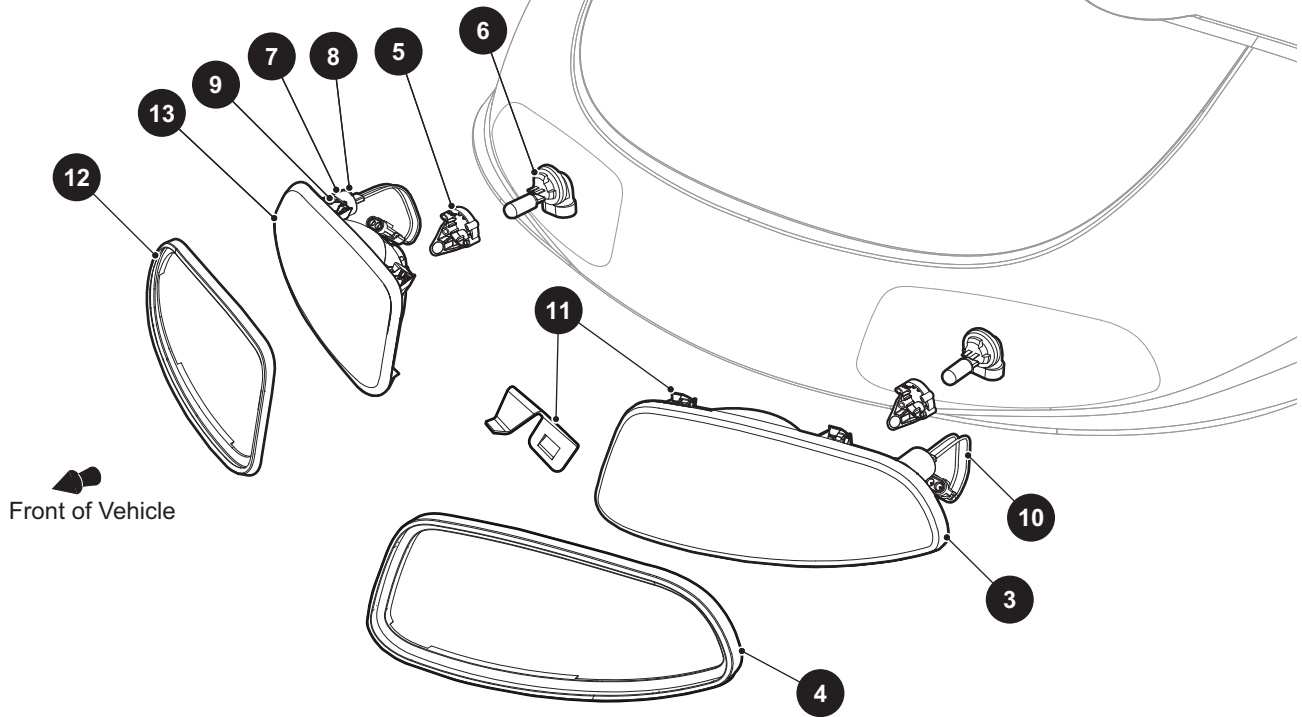
When ordering parts, please specify the model and serial number of the product.

* Indicates a component that is not available as an individual part.

*** Indicates consult Customer Service Department for additional information.

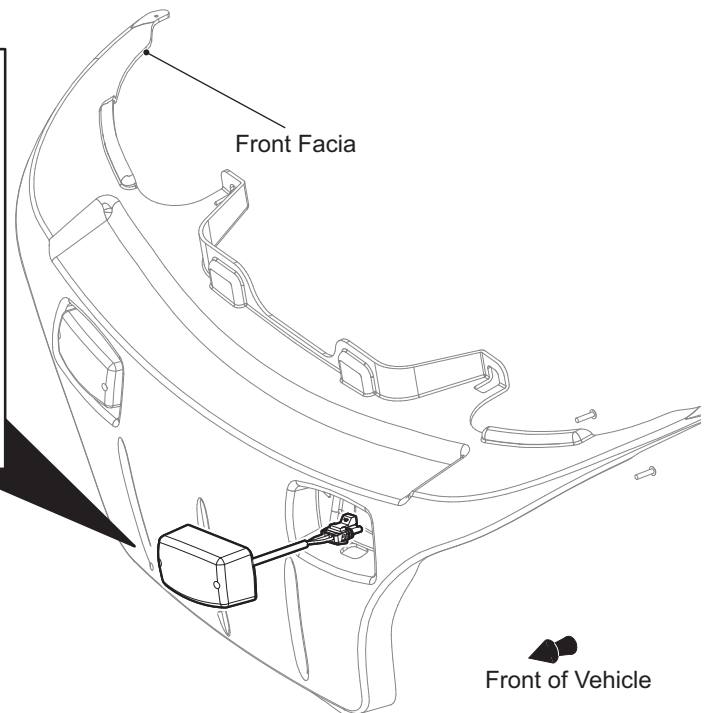
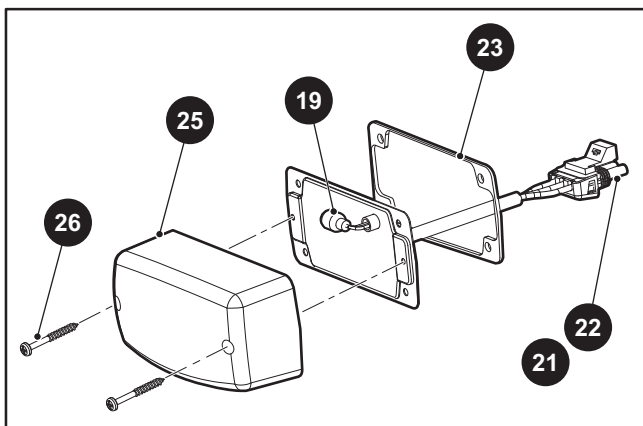
| ITEM | PART NO. | 1 2 3 4 5 | DESCRIPTION | QTY. |
|------|----------|-----------|--|------|
| 1 | 604019 | | HEADLIGHT SWITCH | 1 |
| 2 | 609692 | | KEY SWITCH ASSEMBLY (INCLUDES ITEMS 3 - 4) | 1 |
| 3 | 609682 | | KEY SWITCH, DIRECTION SELECTOR | 1 |
| 4 | 609693 | | KEY | 1 |
| 5 | 609401 | | SPEEDOMETER, 48V | 1 |
| 6 | | | | |
| 7 | | | | |
| 8 | 611977 | | A/C FAN CONTROLLER ASSEMBLY (INCLUDES ITEMS 9 - 13)..... | 1 |
| 9 | 609524 | | FAN A/C CONTROLLER | 1 |
| 10 | 73183G01 | | TOWER CONNECTOR | 1 |
| 11 | 73186G01 | | SLEEVE TERMINAL..... | 1 |
| 12 | 73187G02 | | SEAL CABLE..... | 1 |
| 13 | 17313G1 | | FLEX LOOM | AR |
| 14 | 610441 | | PAN HEAD TORX SCREW, M4 - .7 X 50 MM LG..... | 4 |
| 15 | 602053 | | LOCK NUT, M4 - .7 | 4 |
| 16 | 649803 | | PAN HEAD TORX SCREW, M6 - 2.65 X 25 MM LG..... | 2 |
| 17 | 609658 | | FAN A/C CONTROLLER BRACKET..... | 1 |
| 18 | 632861 | | ACCESSORY HARNESS (NOT ILLUSTRATED) | 1 |
| 19 | | | | |
| 20 | | | | |
| 21 | | | | |
| 22 | 609412 | | STROBE LIGHT KIT (INCLUDES ITEMS 23 - 25) | 1 |
| 23 | 611998 | | STROBE LIGHT ASSEMBLY | 1 |
| 24 | 14390G10 | | LOCK NUT, #10 - 24..... | 3 |
| 25 | 00979G01 | | SOCKET HEAD CAP BOLT, # 10 - 24 X .88" LG | 3 |

ELECTRICAL SYSTEM



- 1** HEADLIGHT ASSEMBLY (DRIVER SIDE)
includes items 3 - 11
- 2** HEADLIGHT ASSEMBLY (PASSENGER SIDE)
includes items 5 - 13

- 18** FRONT TURN SIGNAL ASSEMBLY
includes items 19 - 24
- 24** TURN SIGNAL ASSEMBLY
includes items 25 - 26



ELECTRICAL SYSTEM

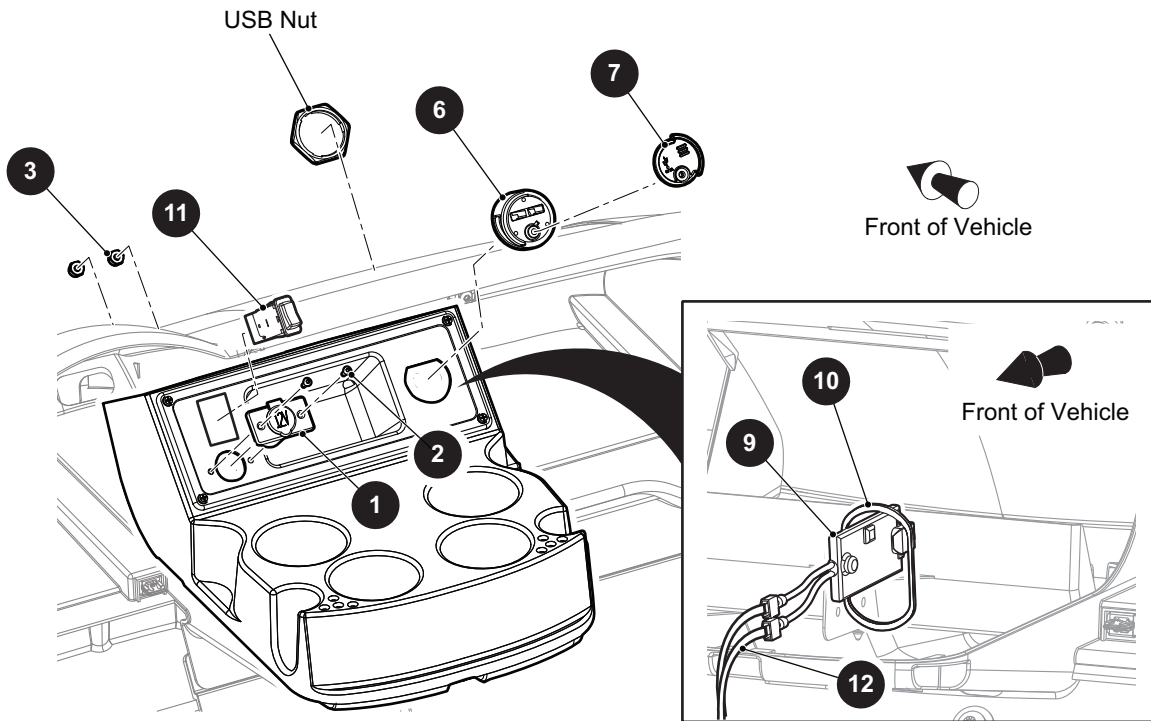
THE USE OF NON U.L. PARTS WILL VOID ANY U.L. LISTING.

When ordering parts, please specify the model and serial number of the product.

* Indicates a component that is not available as an individual part.

*** Indicates consult Customer Service Department for additional information.

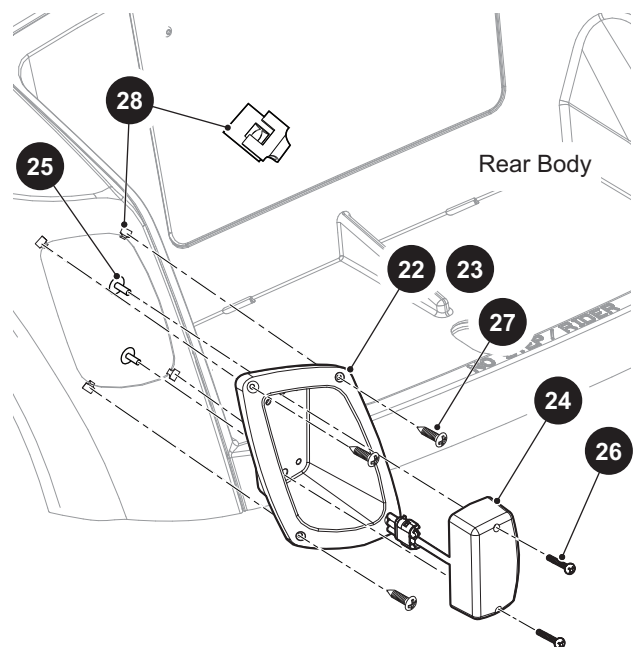
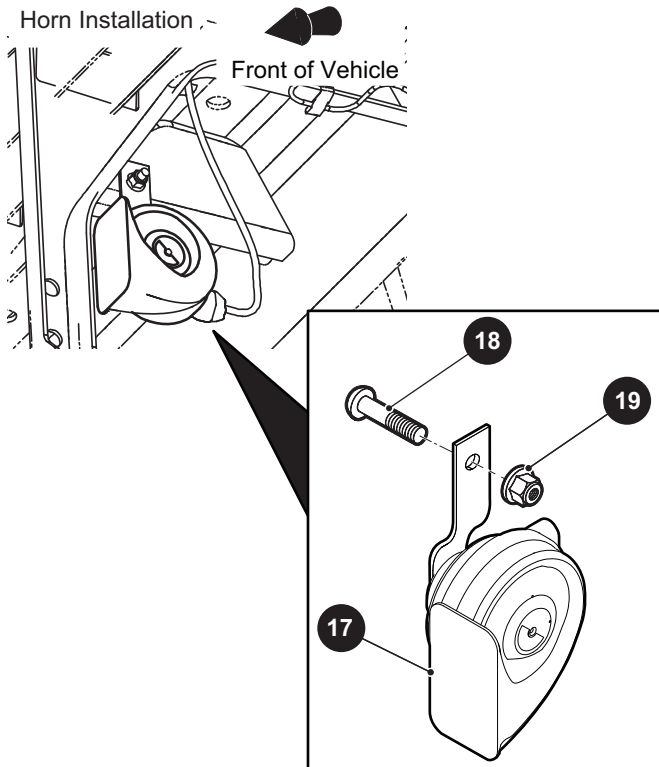
| ITEM | PART NO. | 1 2 3 4 5 | DESCRIPTION | QTY. |
|------|----------|-----------|---|------|
| 1 | 607439 | | HEADLIGHT ASSEMBLY (DRIVER SIDE) (INCLUDES ITEMS 3 - 11)..... | 1 |
| 2 | 607438 | | HEADLIGHT ASSEMBLY (PASSENGER SIDE) (INCLUDES ITEMS 5 - 13).. | 1 |
| 3 | 607436 | | HEADLIGHT (DRIVER SIDE)..... | 1 |
| 4 | 607452 | | GASKET (DRIVER SIDE)..... | 1 |
| 5 | 615459 | | ANTI ROTATION COLLAR | 1 |
| 6 | 74004G01 | | HEADLIGHT BULB..... | 1 |
| 7 | 604539 | | TURN SIGNAL BULB | 1 |
| 8 | 608322 | | BULB RETAINER | 1 |
| 9 | 608328 | | BUTTON HEAD TORX SCREW (PLASTITE), M3 - 1.3 X 14 MM LG | 1 |
| 10 | 607487 | | TURN SIGNAL WIRE HARNESS | 1 |
| 11 | 607434 | | HEADLIGHT RETAINING CLIP | 4 |
| 12 | 607437 | | GASKET (PASSENGER SIDE) | 1 |
| 13 | 607435 | | HEADLIGHT (PASSENGER SIDE) | 1 |
| 14 | | | | |
| 15 | | | | |
| 16 | | | | |
| 17 | | | | |
| 18 | 620718 | | FRONT TURN SIGNAL ASSEMBLY (INCLUDES ITEMS 19 - 24) | 1 |
| 19 | 604311 | | TAILLIGHT BULB | 1 |
| 20 | 73187G01 | | CABLE SEAL (NOT ILLUSTRATED)..... | 3 |
| 21 | 73186G01 | | TERMINAL SLEEVE..... | 3 |
| 22 | 73183G03 | | CONNECTOR TOWER | 1 |
| 23 | 620773 | | GASKET | 1 |
| 24 | 620742 | | TURN SIGNAL ASSEMBLY (INCLUDES ITEMS 25 - 26)..... | 1 |
| 25 | 620772 | | TURN SIGNAL LENS..... | 1 |
| 26 | 604316 | | SCREW..... | 2 |



5 USB PORT HOUSING ASSEMBLY includes items 6 - 7

20 TAILLIGHT ASSEMBLY (DRIVER SIDE) includes items 22, 24 - 26

21 TAILLIGHT ASSEMBLY (PASSENGER SIDE) includes items 23 - 26



ELECTRICAL SYSTEM

THE USE OF NON U.L. PARTS WILL VOID ANY U.L. LISTING.

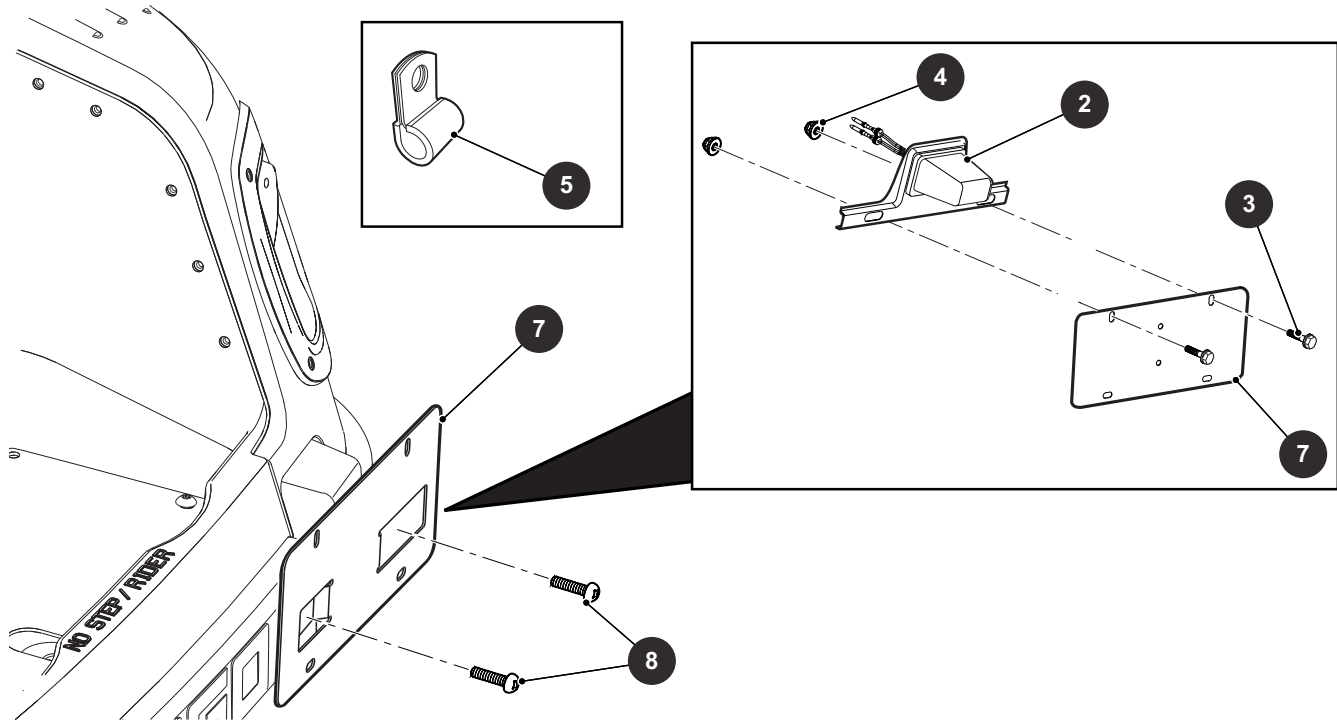
When ordering parts, please specify the model and serial number of the product.

* Indicates a component that is not available as an individual part.

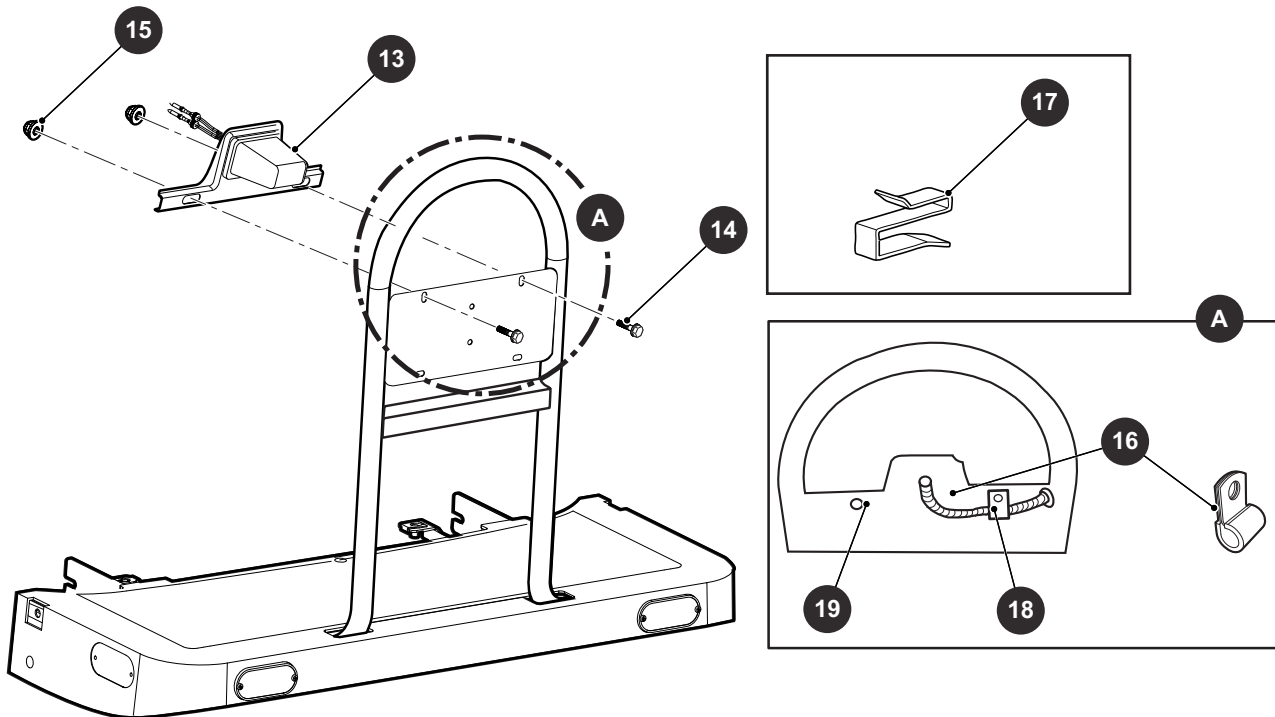
*** Indicates consult Customer Service Department for additional information.

| ITEM | PART NO. | 1 2 3 4 5 | DESCRIPTION | QTY. |
|------|-----------|-----------|---|------|
| 1 | 71078G01 | | 12V POWER OUTLET | 1 |
| 2 | 600543 | | BUTTON HEAD TORX BOLT, M4 - .75 X 12 MM LG | 2 |
| 3 | 602053 | | LOCK NUT, M4 -.7 | 2 |
| 4 | | | | |
| 5 | 639384 | | USB PORT HOUSING ASSEMBLY (INCLUDES ITEMS 6 - 7) | 1 |
| 6 | 639383 | | USB PORT HOUSING..... | 1 |
| 7 | 639382 | | USB PORT LID | 1 |
| 8 | | | | |
| 9 | 638233 | | USB ELECTRONICS | 1 |
| 10 | 17618G1 | | CLAMP (NYLON), 7" LG | AR |
| 11 | 609380 | | SPEED SELECTOR SWITCH | 1 |
| 12 | 638585 | | USB HARNESS | 1 |
| 13 | | | | |
| 14 | | | | |
| 15 | | | | |
| 16 | | | | |
| 17 | 604196 | | HORN ASSEMBLY..... | 1 |
| 18 | 601326 | | BUTTON HEAD TORX BOLT, M6 - 1 X 20 MM LG | 1 |
| 19 | 601476 | | LOCK NUT, M6 - 1 | 1 |
| 20 | 648672G01 | | TAILLIGHT ASSEMBLY (DRIVER SIDE) (INCLUDES ITEMS 22, 24 - 26) | 1 |
| 21 | 648672G02 | | TAILLIGHT ASSEMBLY (PASSENGER SIDE) (INCLUDES ITEMS 23 - 26) | 1 |
| 22 | 639815G01 | | BEZEL TAILLIGHT (DRIVER SIDE) | 1 |
| 23 | 639815G02 | | BEZEL TAILLIGHT (PASSENGER SIDE)..... | 1 |
| 24 | 639816 | | TAILLIGHT ASSEMBLY | 1 |
| 25 | 14601G11 | | RIVET (ALUMINUM), 3/16" X 9/16" LG..... | 2 |
| 26 | 00513G4 | | PAN HEAD PHILLIPS SCREW, #8 - 18 X 3/4" LG | 2 |
| 27 | 71425G01 | | TAPPING SCREW, #8 - 18 X 3/4" LG | 4 |
| 28 | 71364G02 | | "J" TYPE SPEED NUT, #8 | 4 |

1 LICENSE PLATE KIT, 2 - PASSENGER includes items 2 - 8



12 LICENSE PLATE KIT, 4 - PASSENGER includes items 13 - 19



ELECTRICAL SYSTEM

THE USE OF NON U.L. PARTS WILL VOID ANY U.L. LISTING.

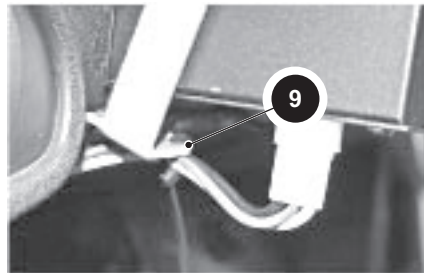
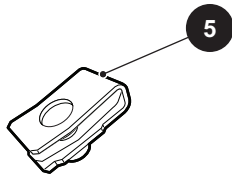
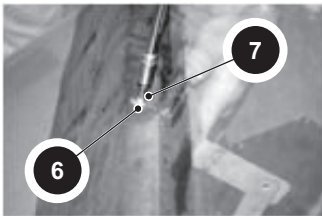
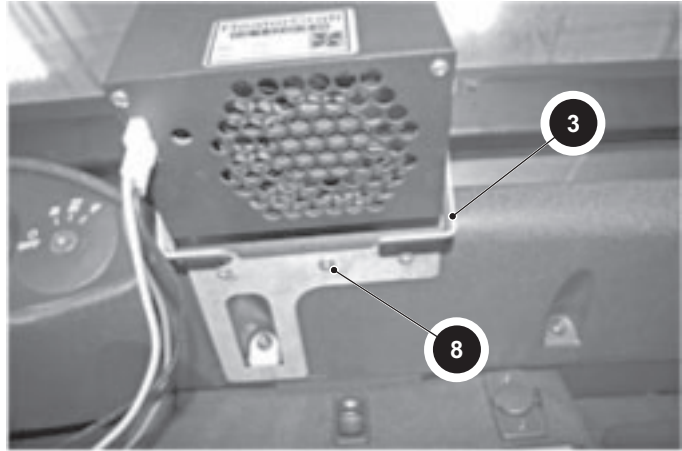
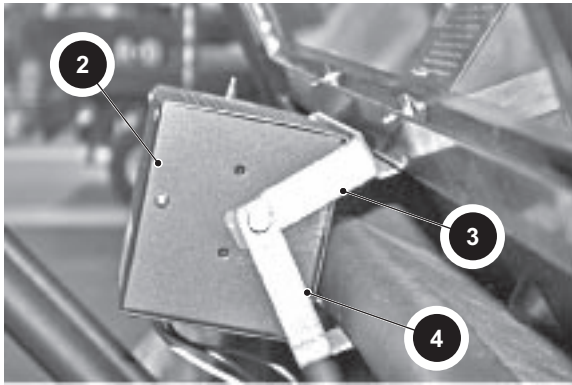
When ordering parts, please specify the model and serial number of the product.

* Indicates a component that is not available as an individual part.

*** Indicates consult Customer Service Department for additional information.

| ITEM | PART NO. | 1 2 3 4 5 | DESCRIPTION | QTY. |
|------|----------|-----------|---|------|
| 1 | 611866 | | LICENSE PLATE KIT, 2 - PASSENGER (INCLUDES ITEMS 2 - 8) | 1 |
| 2 | 614626 | | LICENSE PLATE LIGHT, 2 - PASSENGER..... | 1 |
| 3 | 606264 | | FLANGED HEX HEAD BOLT, M6 - 1 X 20 MM LG | 2 |
| 4 | 601476 | | FLANGED LOCK NUT, M6 - 1..... | 3 |
| 5 | 11845G5 | | INSULATED CABLE CLIP | 1 |
| 6 | 614432 | | JUMPER HARNESS (NOT ILLUSTRATED) | 1 |
| 7 | 612018 | | LICENSE PLATE HOLDER | 1 |
| 8 | 606277 | | BOSS TORX SCREW, M6 - 1 X 25 MM LG | 2 |
| 9 | | | | |
| 10 | | | | |
| 11 | | | | |
| 12 | 614645 | | LICENSE PLATE KIT, 4 - PASSENGER (INCLUDES ITEMS 13 - 19) | 1 |
| 13 | 614609 | | LICENSE PLATE LIGHT, 4 - PASSENGER..... | 1 |
| 14 | 606264 | | FLANGED HEX HEAD BOLT, M6 - 1 X 20 MM LG | 2 |
| 15 | 601476 | | FLANGED LOCK NUT, M6 - 1..... | 3 |
| 16 | 11845G5 | | INSULATED CABLE CLIP | 2 |
| 17 | 01072G01 | | CABLE CLIP | 2 |
| 18 | 614624 | | GROMMET, 1/2" | 1 |
| 19 | 614432 | | JUMPER HARNESS | 1 |

1 DEFROSTER / HEATER KIT includes items 2 - 9



ELECTRICAL SYSTEM

THE USE OF NON U.L. PARTS WILL VOID ANY U.L. LISTING.

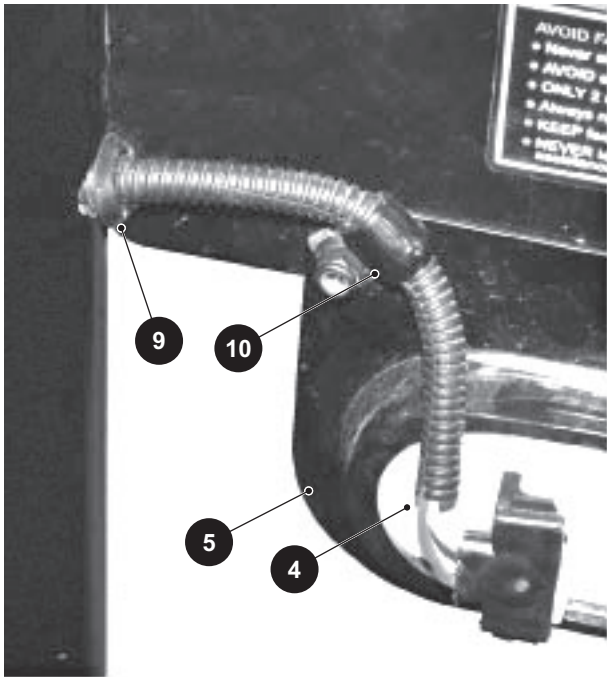
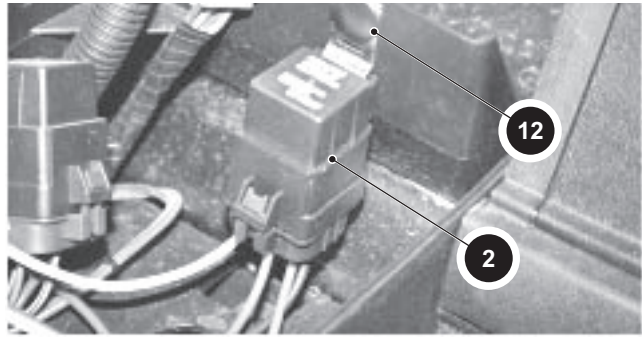
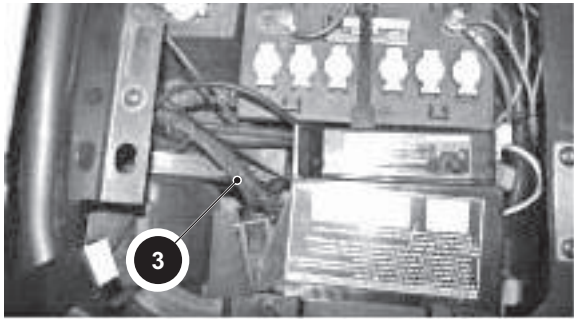
When ordering parts, please specify the model and serial number of the product.

* Indicates a component that is not available as an individual part.

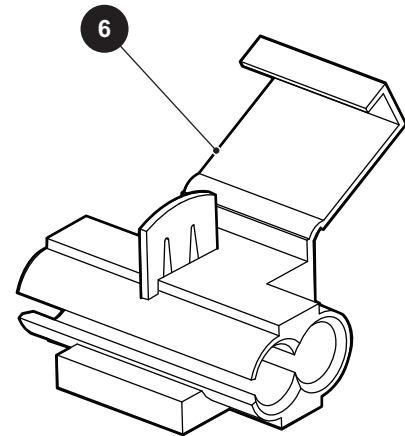
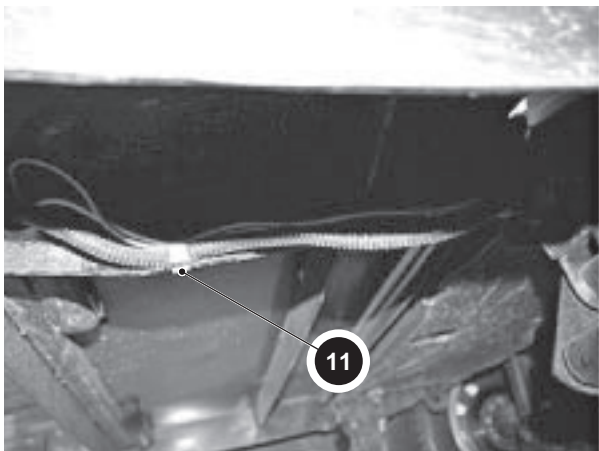
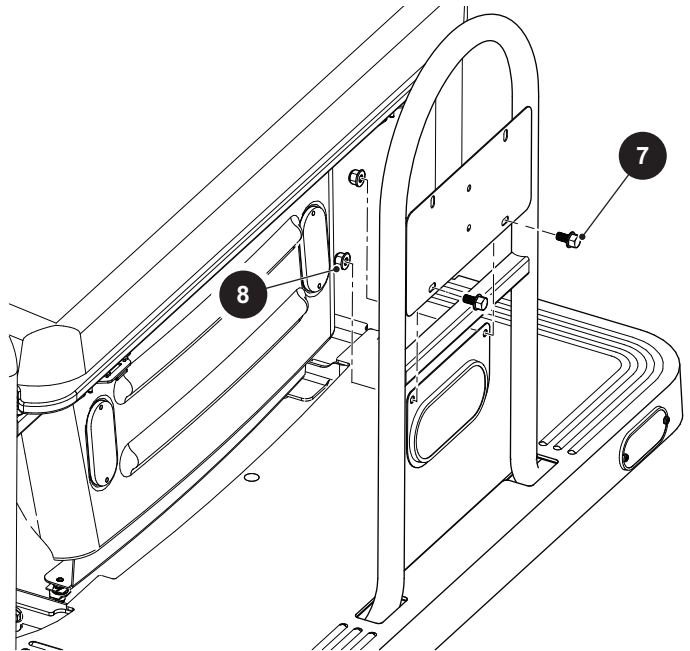
*** Indicates consult Customer Service Department for additional information.

| ITEM | PART NO. | 1 2 3 4 5 | DESCRIPTION | QTY. |
|------|----------|-----------|---|------|
| 1 | 614712 | | DEFROSTER / HEATER KIT (INCLUDES ITEMS 2 - 9) | 1 |
| 2 | 614915 | | DEFROSTER / HEATER, 48V | 1 |
| 3 | 614835 | | DEFROSTER UPPER BRACKET | 1 |
| 4 | 614833 | | DEFROSTER LOWER BRACKET | 1 |
| 5 | 602409 | | BARREL CLIP, M6 - 1 | 1 |
| 6 | 601326 | | BUTTON HEAD TORX BOLT, M6 - 1 X 20 MM LG | 1 |
| 7 | 00559G7 | | FLAT WASHER, 1/4" | 1 |
| 8 | 608290 | | SELF TAPPING SCREW, 3/4" LG | 3 |
| 9 | 17618G1 | | NYLON CLAMP, 8" LG | 2 |

ELECTRICAL SYSTEM



1 4 - PASSENGER BACKUP LIGHT KIT includes items 2 - 12



ELECTRICAL SYSTEM

THE USE OF NON U.L. PARTS WILL VOID ANY U.L. LISTING.

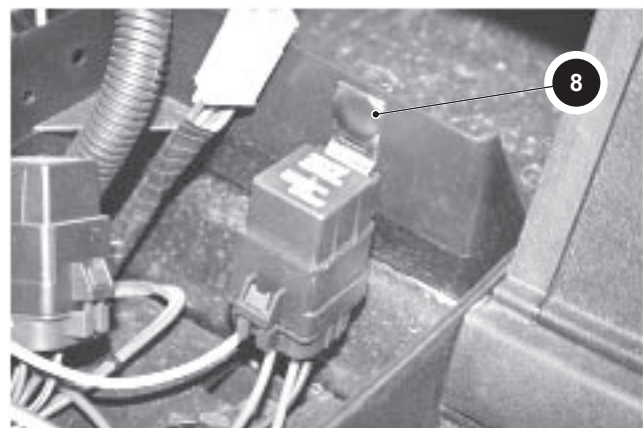
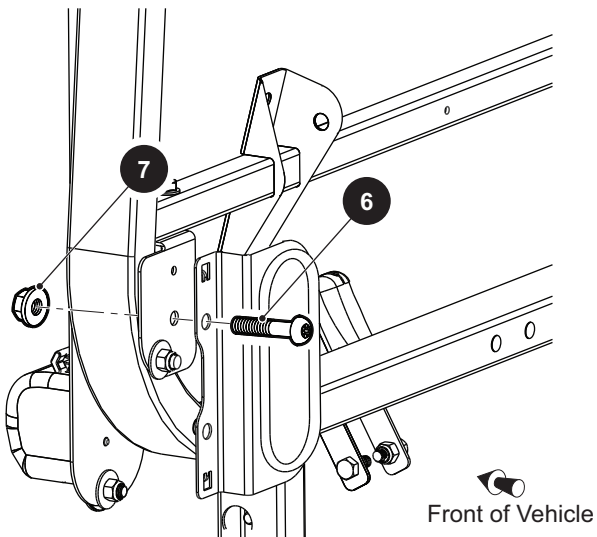
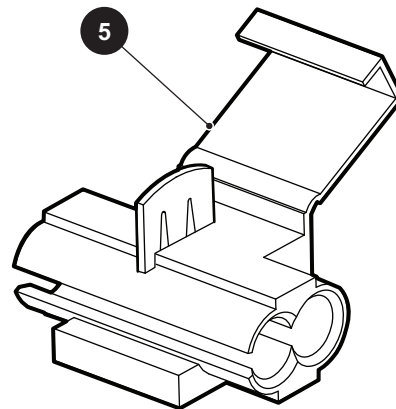
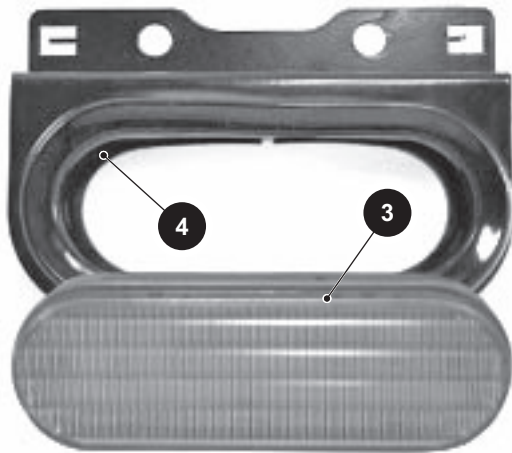
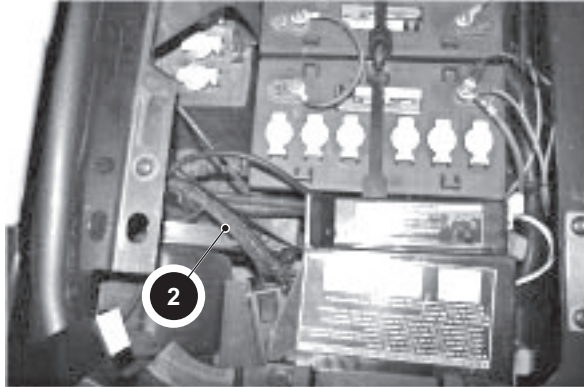
When ordering parts, please specify the model and serial number of the product.

* Indicates a component that is not available as an individual part.

*** Indicates consult Customer Service Department for additional information.

| ITEM | PART NO. | 1 2 3 4 5 | DESCRIPTION | QTY. |
|------|----------|-----------|--|------|
| 1 | 614896 | | 4 - PASSENGER BACKUP LIGHT KIT (INCLUDES ITEMS 2 - 12) | 1 |
| 2 | 620831 | | BACKUP LIGHT HARNESS WITH 48V RELAY | 1 |
| 3 | 620830 | | BACKUP LIGHT HARNESS, 4 - PASSENGER..... | 1 |
| 4 | 614871 | | LED BACKUP LIGHT | 1 |
| 5 | 614800 | | BACKUP LIGHT BRACKET, 4 - PASSENGER | 1 |
| 6 | 614901 | | SELF STRIPPING SPLICE | 2 |
| 7 | 606265 | | FLANGED HEX HEAD BOLT, M6 - 1 X 12 MM LG | 2 |
| 8 | 601476 | | LOCK NUT, M6 - 1..... | 3 |
| 9 | 614624 | | GROMMET, 1/2" | 1 |
| 10 | 11845G5 | | INSULATED CABLE CLIP | 2 |
| 11 | 01072G01 | | CABLE CLIP | 2 |
| 12 | 16816G1 | | RATCHET RIVET, .25" X .680" | 1 |

1 2 - PASSENGER BACKUP LIGHT KIT includes items 2 - 10



ELECTRICAL SYSTEM

THE USE OF NON U.L. PARTS WILL VOID ANY U.L. LISTING.

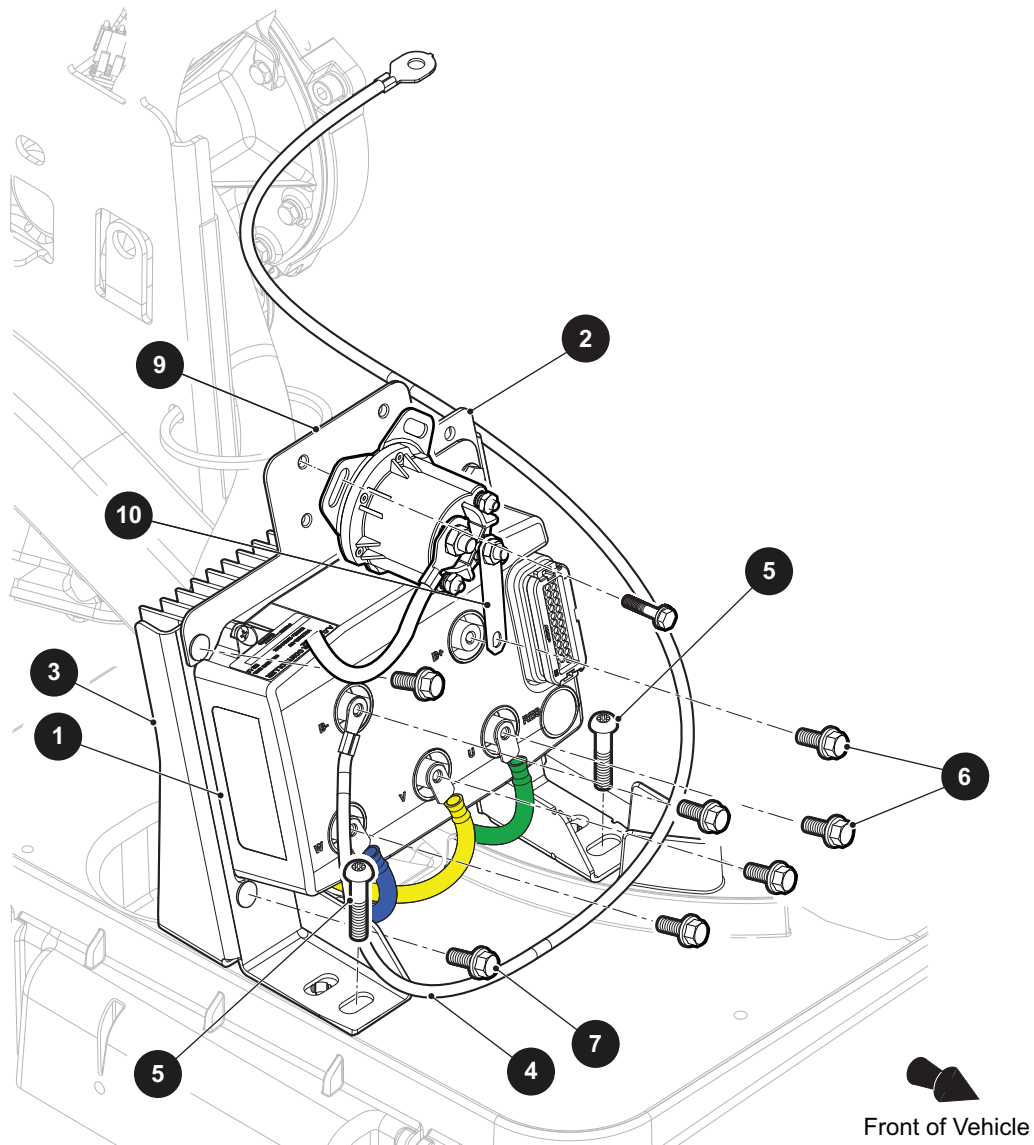
When ordering parts, please specify the model and serial number of the product.

* Indicates a component that is not available as an individual part.

*** Indicates consult Customer Service Department for additional information.

| ITEM | PART NO. | 1 2 3 4 5 | DESCRIPTION | QTY. |
|------|----------|-----------|--|------|
| 1 | 614895 | | 2 - PASSENGER BACKUP LIGHT KIT (INCLUDES ITEMS 2 - 10) | 1 |
| 2 | 620831 | | BACKUP LIGHT HARNESS WITH 48V RELAY | 1 |
| 3 | 614871 | | LED BACKUP LIGHT | 1 |
| 4 | 614849 | | BACKUP LIGHT BRACKET, 2 - PASSENGER | 1 |
| 5 | 614901 | | SELF STRIPPING SPLICE | 2 |
| 6 | 600527 | | BUTTON HEAD TORX BOLT, M10 - 1.5 X 60MM LG | 2 |
| 7 | 600525 | | LOCK NUT, M10 - 1.5 | 2 |
| 8 | 16816G1 | | RATCHET RIVET, .25" X .680" | 1 |
| 9 | | | | |
| 10 | 31539G1 | | NYLON WIRE TIE (NOT ILLUSTRATED) | 3 |

ELECTRONIC SPEED CONTROL



ELECTRONIC SPEED CONTROL

THE USE OF NON U.L. PARTS WILL VOID ANY U.L. LISTING.

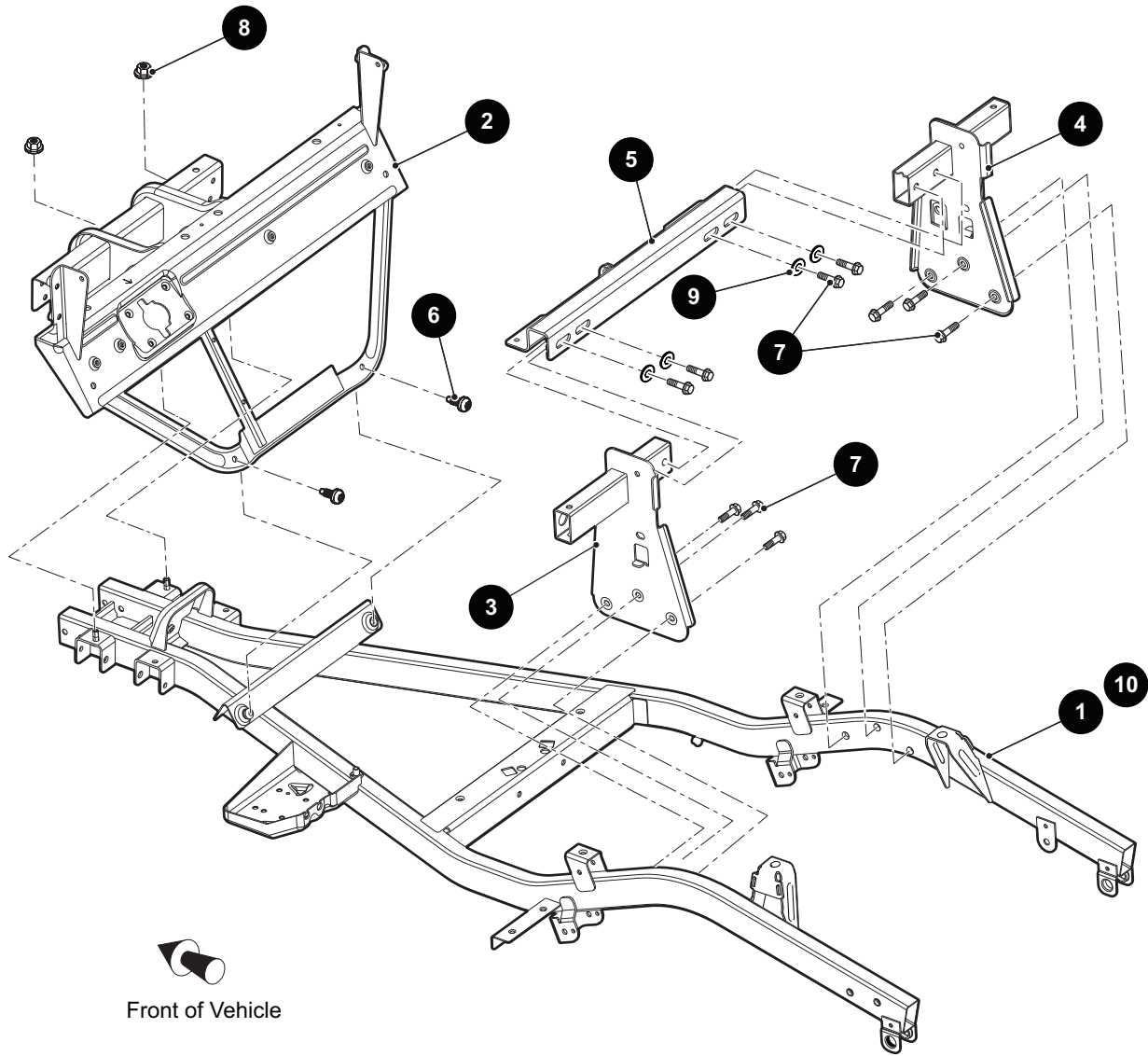
When ordering parts, please specify the model and serial number of the product.

* Indicates a component that is not available as an individual part.

*** Indicates consult Customer Service Department for additional information.

| ITEM | PART NO. | 1 2 3 4 5 | DESCRIPTION | QTY. |
|------|-----------|-----------|--|------|
| 1 | 667000G03 | | CONTROLLER, 1206 AC..... | 1 |
| 2 | 623170 | | CONTROLLER BRACKET (DRIVER SIDE)..... | 1 |
| 3 | 623213 | | CONTROLLER BRACKET (PASSENGER SIDE)..... | 1 |
| 4 | 624618 | | BLACK WIRE, 6AWG, 830 MM LG..... | 1 |
| 5 | 649804 | | BUTTON HEAD TORX SCREW, M8 X 3.50 X 30MM LG..... | 2 |
| 6 | 73876G01 | | FLANGED HEX HEAD BOLT, M6 - 1 X 12 MM LG..... | 5 |
| 7 | 606264 | | HEX HEAD BOLT, M6 - 1 X 20 MM LG..... | 4 |
| 8 | | | | |
| 9 | 646008 | | SOLENOID BRACKET..... | 1 |
| 10 | 619047 | | BUS BAR..... | 1 |

FRAME



THE USE OF NON U.L. PARTS WILL VOID ANY U.L. LISTING.

When ordering parts, please specify the model and serial number of the product.

* Indicates a component that is not available as an individual part.

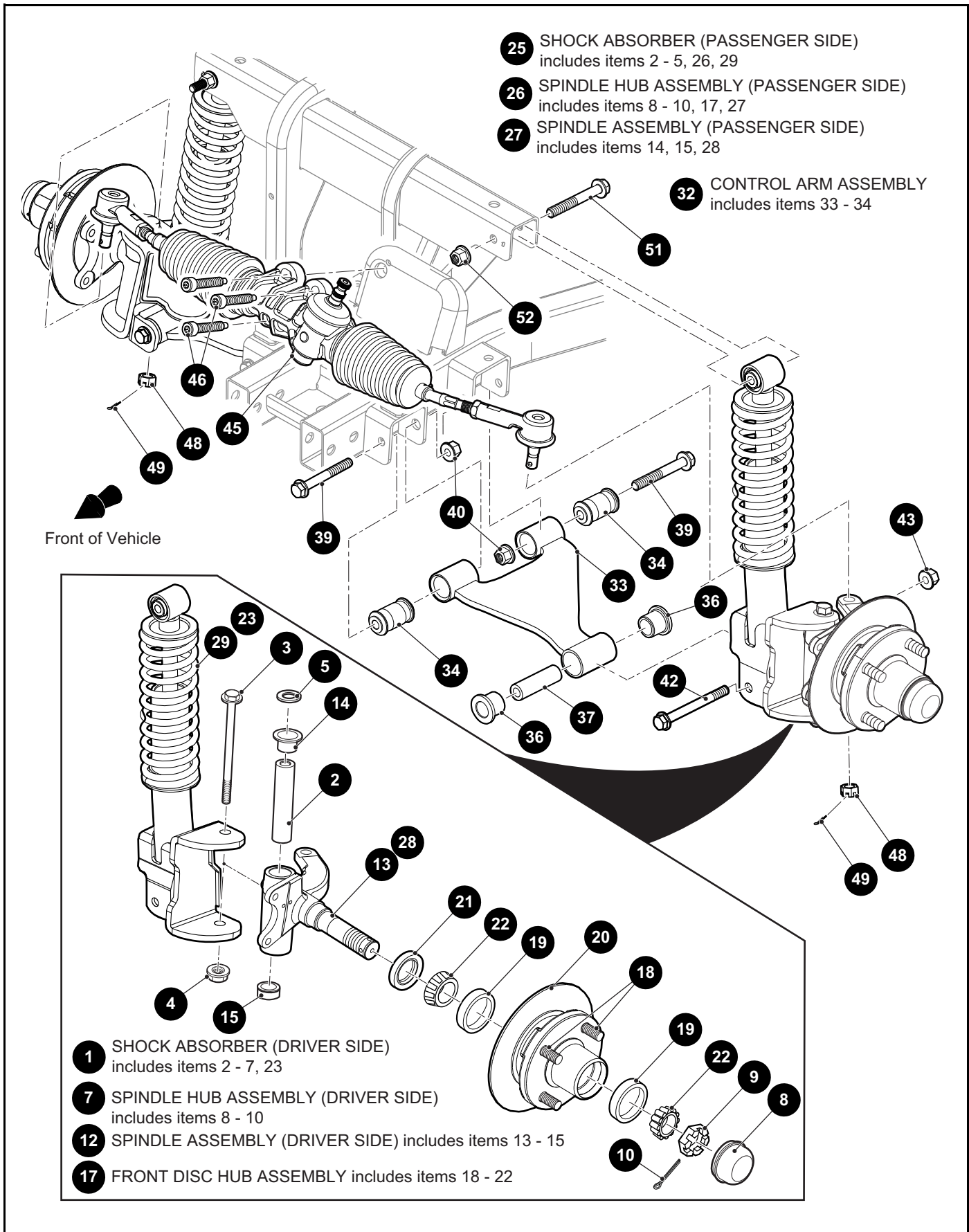
*** Indicates consult Customer Service Department for additional information.

| ITEM | PART NO. | 1 2 3 4 5 | DESCRIPTION | QTY. |
|------|-----------|-----------|--|------|
| 1 | 657280G05 | | FRAME WELDMENT, P/COAT | 1 |
| 2 | 614597 | | IP SUPPORT WELDMENT | 1 |
| 3 | 609290 | | SEAT SUPPORT WELDMENT (DRIVER SIDE)..... | 1 |
| 4 | 609291 | | SEAT SUPPORT WELDMENT (PASSENGER SIDE) | 1 |
| 5 | 609860 | | SEAT BELT FRONT CENTER WELDMENT | 1 |
| 6 | 602572 | | PAN HEAD TORX BOLT, M10 - 1.5 X 25 MM LG | 2 |
| 7 | 603799 | | FLANGED HEX HEAD BOLT, M10 - 1.5 X 23 MM LG..... | 10 |
| 8 | 600525 | | FLANGED HEX NUT, M10 - 1.5..... | 2 |
| 9 | 604066 | | FLAT WASHER, M10 | 4 |
| 10 | 657280G03 | | FRAME WELDMENT, E/COAT & P/COAT | 1 |

Notes:

A large grid of graph paper for taking notes, consisting of 20 columns and 35 rows of small squares.

FRONT SUSPENSION AND STEERING



FRONT SUSPENSION AND STEERING

THE USE OF NON U.L. PARTS WILL VOID ANY U.L. LISTING.

When ordering parts, please specify the model and serial number of the product.

* Indicates a component that is not available as an individual part.

*** Indicates consult Customer Service Department for additional information.

| ITEM | PART NO. | 1 2 3 4 5 | DESCRIPTION | QTY. |
|------|----------|-----------|---|------|
| 1 | 657229 | | SHOCK ABSORBER (DRIVER SIDE) (INCLUDES ITEMS 2 - 7, 23) | 1 |
| 2 | 614034 | | KINGPIN TUBE | 1 |
| 3 | 620380 | | FLANGED HEX HEAD BOLT, M12 - 1.25 X 145 MM LG | 1 |
| 4 | 600549 | | LOCK NUT, M12 - 1.25..... | 1 |
| 5 | 601920 | | THRUST WASHER (SS), 35 MM O.D. X 26 MM I.D. X 2.5 MM LG..... | 1 |
| 6 | | | | |
| 7 | 617115 | | SPINDLE HUB ASSEMBLY (DRIVER SIDE) (INCLUDES ITEMS 8 - 10)..... | 1 |
| 8 | 12091G2 | | SPINDLE CAP | 1 |
| 9 | 12093G1 | | HEX SLOTTED NUT, 7/16" - 20..... | 1 |
| 10 | 00798G8 | | COTTER PIN, 5/32" X 1.25" LG..... | 1 |
| 11 | | | | |
| 12 | 613026 | | SPINDLE ASSEMBLY (DRIVER SIDE) (INCLUDES ITEMS 13 - 15) | 1 |
| 13 | 613025 | | SPINDLE | 1 |
| 14 | 632925 | | FLANGED BUSHING | 1 |
| 15 | 632926 | | SLEEVE BUSHING | 1 |
| 16 | | | | |
| 17 | 617107 | | FRONT DISC HUB ASSEMBLY (INCLUDES ITEMS 18 - 22) | 1 |
| 18 | 614820 | | STUD WHEEL | 4 |
| 19 | 51141G1 | | RACE BEARING | 2 |
| 20 | 615384 | | FRONT DISC HUB | 1 |
| 21 | 25146G1 | | GREASE SEAL..... | 1 |
| 22 | 11750G2 | | ROLLER BEARING | 2 |
| 23 | 655526 | | STRUT (DRIVER SIDE) | 1 |
| 24 | | | | |
| 25 | 657228 | | SHOCK ABSORBER (PASSENGER SIDE) (INCLUDES ITEMS 2 - 5, 26, 29) | 1 |
| 26 | 617116 | | SPINDLE HUB ASSEMBLY (PASSENGER SIDE) (INCLUDES ITEMS 8 - 10, 17, 27)..... | 1 |
| 27 | 613246 | | SPINDLE ASSEMBLY (PASSENGER SIDE) (INCLUDES ITEMS 14, 15, 28)..... | 1 |

FRONT SUSPENSION AND STEERING

THE USE OF NON U.L. PARTS WILL VOID ANY U.L. LISTING.

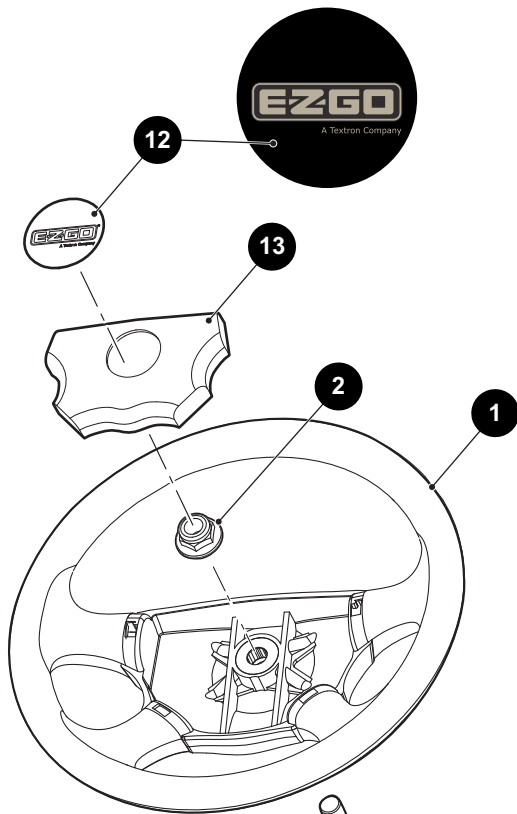
When ordering parts, please specify the model and serial number of the product.

* Indicates a component that is not available as an individual part.

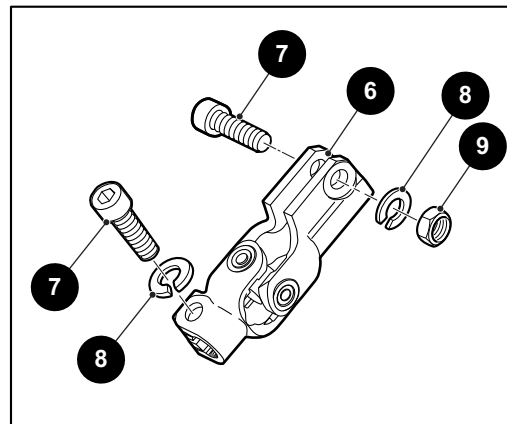
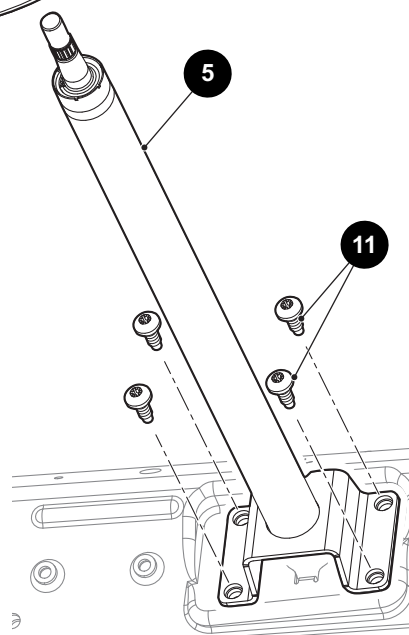
*** Indicates consult Customer Service Department for additional information.

| ITEM | PART NO. | 1 | 2 | 3 | 4 | 5 | DESCRIPTION | QTY. |
|------|----------|---|---|---|---|---|--|------|
| 28 | 613242 | | | | | | SPINDLE..... | 1 |
| 29 | 655529 | | | | | | STRUT (PASSENGER SIDE) | 1 |
| 30 | | | | | | | | |
| 31 | | | | | | | | |
| 32 | 608089 | | | | | | CONTROL ARM ASSEMBLY (INCLUDES ITEMS 33 - 34)..... | 1 |
| 33 | 608090 | | | | | | CONTROL ARM..... | 1 |
| 34 | 608086 | | | | | | MOUNTING SLEEVE (RUBBER) | 2 |
| 35 | | | | | | | | |
| 36 | 601340 | | | | | | CONTROL ARM BUSHING | 2 |
| 37 | 602085 | | | | | | CONTROL ARM CARRIER TUBE..... | 2 |
| 38 | | | | | | | | |
| 39 | 602415 | | | | | | FLANGED HEX HEAD BOLT, M10 - 1.5 X 80 MM LG | 1 |
| 40 | 600525 | | | | | | LOCK NUT, M10 - 1.5 | 2 |
| 41 | | | | | | | | |
| 42 | 601754 | | | | | | FLANGED HEX HEAD BOLT, M10 - 1.5 X 100 MM LG | 1 |
| 43 | 600525 | | | | | | LOCK NUT, M10 - 1.5 | 1 |
| 44 | | | | | | | | |
| 45 | 618330 | | | | | | STEERING RACK ASSEMBLY | 1 |
| 46 | 602020 | | | | | | SOCKET HEAD BOLT, M10 - 1.5 X 50 MM LG..... | 3 |
| 47 | | | | | | | | |
| 48 | 608005 | | | | | | CASTLE NUT (SS), M12 - 1.25..... | 2 |
| 49 | 10387G2 | | | | | | COTTER PIN, .094" X 1" | 2 |
| 50 | | | | | | | | |
| 51 | 602415 | | | | | | FLANGED HEX HEAD BOLT, M10 - 1.5 X 80 MM LG | 1 |
| 52 | 600525 | | | | | | LOCK NUT, M10 - 1.5 | 1 |

FRONT SUSPENSION AND STEERING



4 STEERING COLUMN ASSEMBLY includes items 5 - 9



FRONT SUSPENSION AND STEERING

THE USE OF NON U.L. PARTS WILL VOID ANY U.L. LISTING.

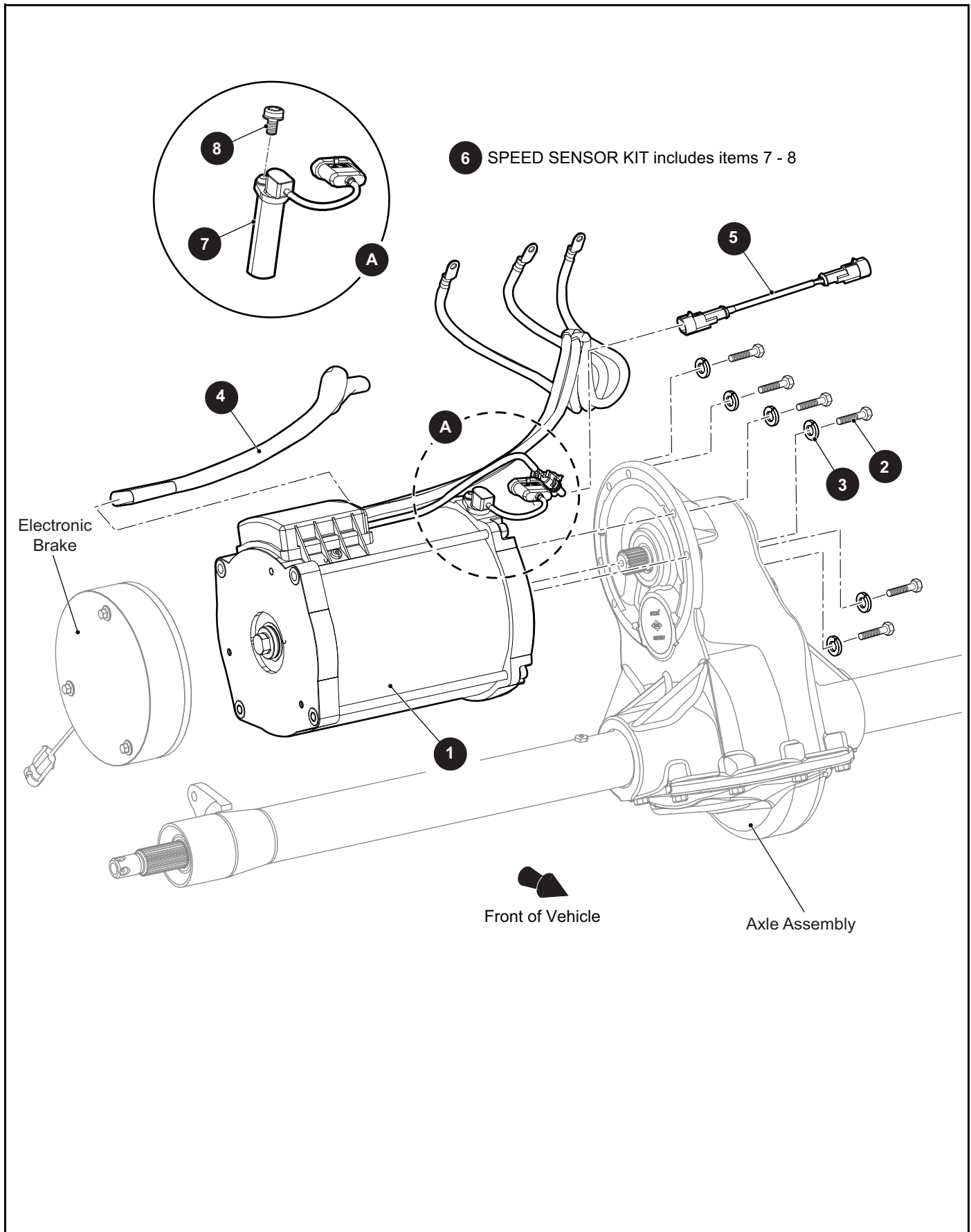
When ordering parts, please specify the model and serial number of the product.

* Indicates a component that is not available as an individual part.

*** Indicates consult Customer Service Department for additional information.

| ITEM | PART NO. | 1 2 3 4 5 | DESCRIPTION | QTY. |
|------|----------|-----------|---|------|
| 1 | 602980 | | STEERING WHEEL | 1 |
| 2 | 601709 | | FLANGED LOCK NUT, M6 - 2 | 1 |
| 3 | | | | |
| 4 | 600333 | | STEERING COLUMN ASSEMBLY (INCLUDES ITEMS 5 - 9) | 1 |
| 5 | 608117 | | STEERING COLUMN | 1 |
| 6 | 608114 | | STEERING YOKE | 1 |
| 7 | 608653 | | SOCKET HEAD SCREW, M10 - 1.5 X 35 MM LG | 2 |
| 8 | 608654 | | LOCK WASHER, 10.5 MM | 2 |
| 9 | 608655 | | HEX NUT, M10 - 1.5 | 1 |
| 10 | | | | |
| 11 | 602572 | | PAN HEAD TAPTITE BOLT, M10 - 1.5 X 25 MM LG | 4 |
| 12 | 605435 | | DECAL | 1 |
| 13 | 71147G01 | | STEERING WHEEL COVER | 1 |

MOTOR



THE USE OF NON U.L. PARTS WILL VOID ANY U.L. LISTING.

When ordering parts, please specify the model and serial number of the product.

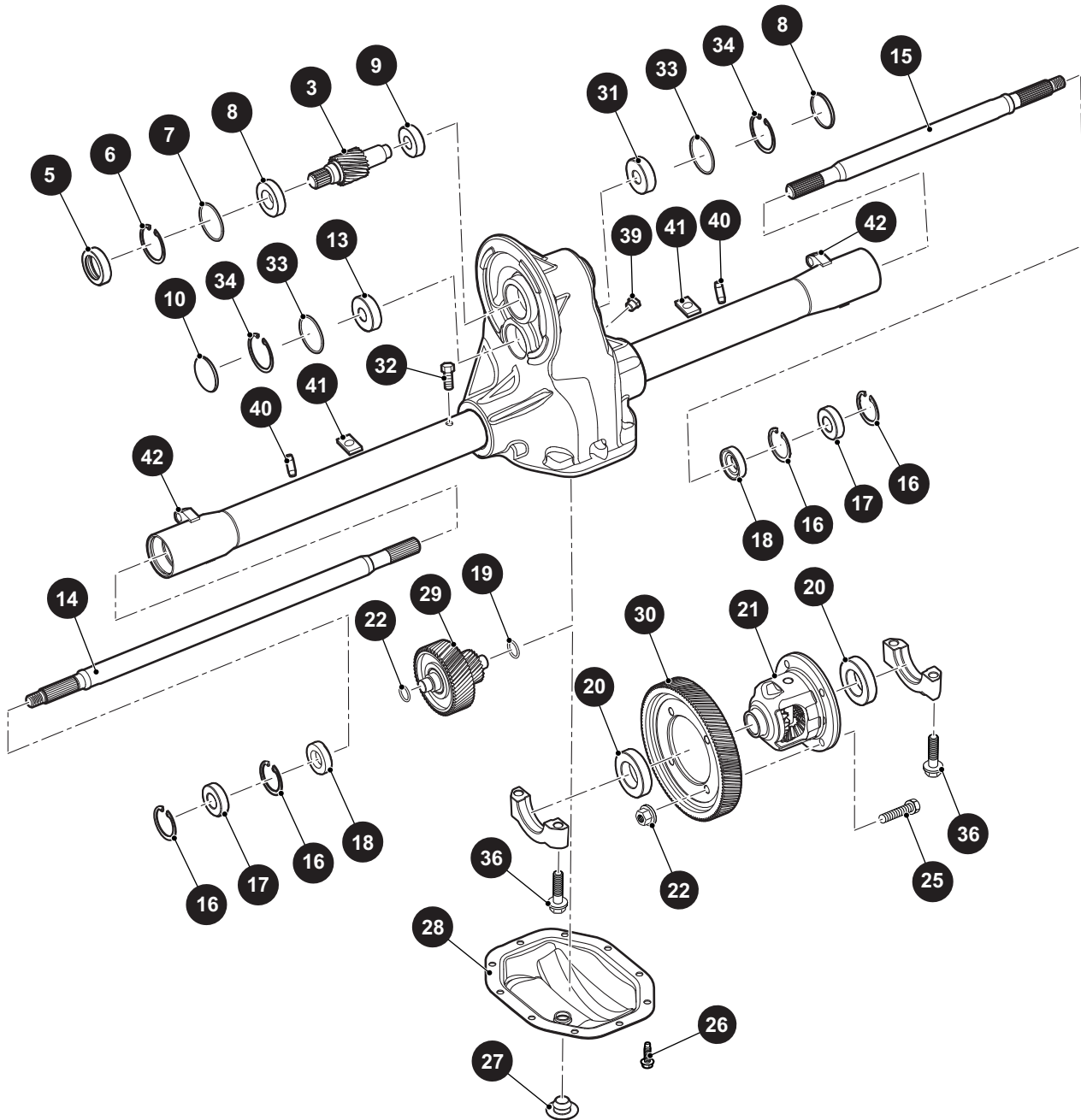
* Indicates a component that is not available as an individual part.

*** Indicates consult Customer Service Department for additional information.

| ITEM | PART NO. | 1 2 3 4 5 | DESCRIPTION | QTY. |
|------|----------|-----------|---|------|
| 1 | 666986 | | MOTOR, 48V | 1 |
| 2 | 605741 | | HEX HEAD BOLT, M6 - 1 X 25MM LG..... | 6 |
| 3 | 601327 | | LOCK WASHER, 6MM..... | 6 |
| 4 | 605714 | | FLEXLOOM..... | 1 |
| 5 | 668214 | | TEMPERATURE SENSOR JUMPER HARNESS, 48V | 1 |
| 6 | 614252 | | SPEED SENSOR KIT (INCLUDES ITEMS 7 - 8) | 1 |
| 7 | 612741 | | SPEED SENSOR | 1 |
| 8 | 614253 | | PAN HEAD TORX BOLT, M6 - 1 X 12MM LG..... | 1 |
| 9 | | | | |
| 10 | | | | |
| 11 | 32372G6 | | VINYL TRIM (NOT ILLUSTRATED) | 1 |
| 12 | 27327G02 | | TWISTED CLAMP CLIP (NOT ILLUSTRATED)..... | 1 |

REAR AXLE

1 HEAVY DUTY REAR AXLE ASSEMBLY, 14.76 : 11 includes items 3 - 42



REAR AXLE

THE USE OF NON U.L. PARTS WILL VOID ANY U.L. LISTING.

When ordering parts, please specify the model and serial number of the product.

* Indicates a component that is not available as an individual part.

*** Indicates consult Customer Service Department for additional information.

| ITEM | PART NO. | 1 2 3 4 5 | DESCRIPTION | QTY. |
|------|----------|-----------|--|------|
| 1 | 618150 | | HEAVY DUTY REAR AXLE ASSEMBLY, 14.76 : 11 (INCLUDES ITEMS 3 - 42) | 1 |
| 2 | | | | |
| 3 | 612060 | | INPUT GEAR..... | 1 |
| 4 | | | | |
| 5 | 614751 | | OIL SEAL..... | 1 |
| 6 | 23530G1 | | RETAINING RING | 1 |
| 7 | 24628G1 | | O-RING..... | 1 |
| 8 | 23519G2 | | BALL BEARING..... | 1 |
| 9 | 23520G1 | | BALL BEARING..... | 1 |
| 10 | 608811 | | END CAP PLUG..... | 2 |
| 11 | | | | |
| 12 | | | | |
| 13 | 620340 | | BALL BEARING..... | 1 |
| 14 | 614750 | | AXLE SHAFT (DRIVER SIDE) | 1 |
| 15 | 614749 | | AXLE SHAFT (PASSENGER SIDE)..... | 1 |
| 16 | 620342 | | RETAINER RING..... | 4 |
| 17 | 614748 | | BALL BEARING..... | 2 |
| 18 | 612064 | | SHAFT AXLE OIL SEAL..... | 2 |
| 19 | 620345 | | O-RING..... | 2 |
| 20 | 17473G1 | | DIFFERENTIAL BEARING ASSEMBLY..... | 2 |
| 21 | 613252 | | OPEN DIFFERENTIAL WITH STEEL DIFFERENTIAL GEARS | 1 |
| 22 | 620333 | | FLANGED LOCK NUT, 3/8" - 24 | 4 |
| 23 | | | | |
| 24 | | | | |
| 25 | 620335 | | FLANGED HEX HEAD BOLT, 3/8" - 24 X 1.25" LG..... | 4 |
| 26 | 620346 | | FLANGED HEX HEAD BOLT, 5/16" - 18 X .75" LG..... | 10 |
| 27 | 620347 | | RUBBER PLUG | 1 |
| 28 | 620348 | | COVER PLATE..... | 1 |
| 29 | 612067 | | INTERMEDIATE GEAR ASSEMBLY | 1 |
| 30 | 620350 | | RING GEAR | 1 |

REAR AXLE

THE USE OF NON U.L. PARTS WILL VOID ANY U.L. LISTING.

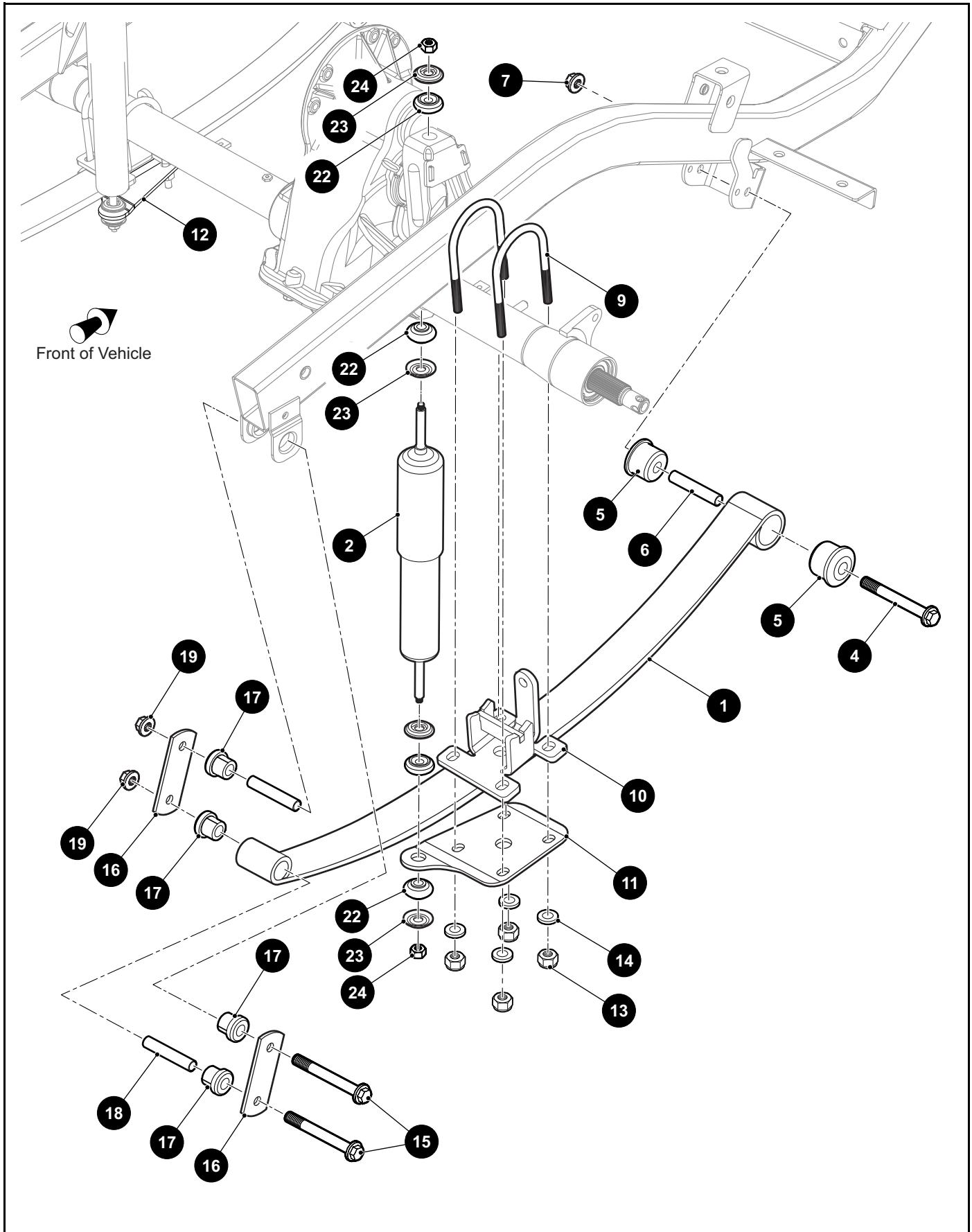
When ordering parts, please specify the model and serial number of the product.

* Indicates a component that is not available as an individual part.

*** Indicates consult Customer Service Department for additional information.

| ITEM | PART NO. | 1 | 2 | 3 | 4 | 5 | DESCRIPTION | QTY. |
|------|----------|---|---|---|---|---|---|------|
| 31 | 620355 | | | | | | BALL BEARING | 1 |
| 32 | 613328 | | | | | | AXLE VENT | 1 |
| 33 | 620358 | | | | | | O-RING | 2 |
| 34 | 612071 | | | | | | RETAINING RING..... | 2 |
| 35 | 612072 | | | | | | SEALANT (NOT ILLUSTRATED)..... | AR |
| 36 | 15118G1 | | | | | | FLANGED HEX HEAD BOLT, 3/8" - 16 X 2.12" LG | 4 |
| 37 | | | | | | | | |
| 38 | | | | | | | | |
| 39 | 614188 | | | | | | PLUG | 1 |
| 40 | 618650 | | | | | | PIN | 1 |
| 41 | 613307 | | | | | | HYDRAULIC LINE TAB..... | 2 |
| 42 | 612941 | | | | | | REAR CALIPER MOUNT | 2 |

REAR SUSPENSION



REAR SUSPENSION

THE USE OF NON U.L. PARTS WILL VOID ANY U.L. LISTING.

When ordering parts, please specify the model and serial number of the product.

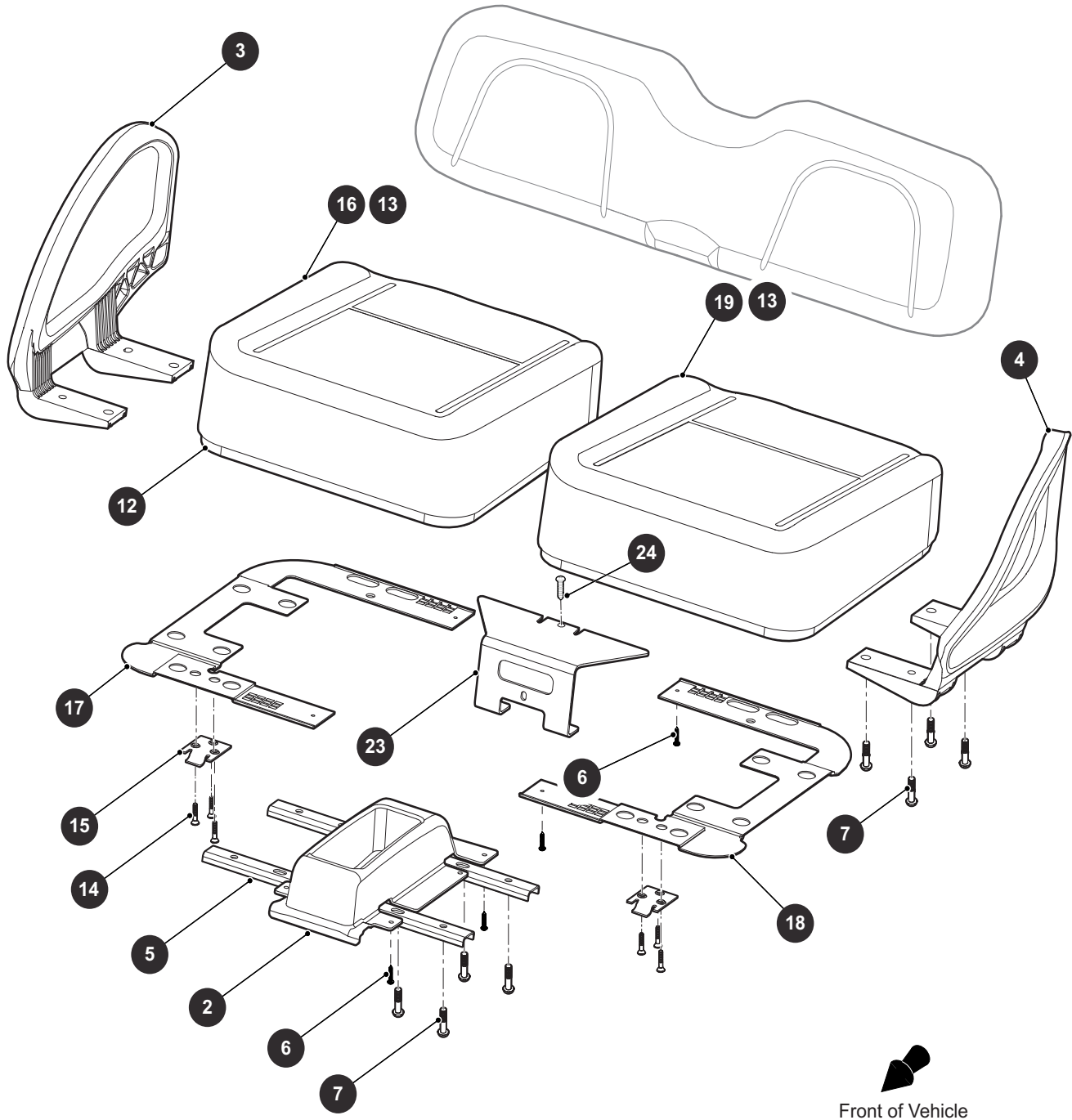
* Indicates a component that is not available as an individual part.

*** Indicates consult Customer Service Department for additional information.

| ITEM | PART NO. | 1 2 3 4 5 | DESCRIPTION | QTY. |
|------|----------|-----------|--|------|
| 1 | 604494 | | HEAVY DUTY LEAF SPRING..... | 1 |
| 2 | 76418G01 | | SHOCK ABSORBER..... | 1 |
| 3 | | | | |
| 4 | 601754 | | FLANGED HEX HEAD BOLT, M10 - 1.5 X 100 MM LG..... | 1 |
| 5 | 620160 | | FLANGED BUSHING (URETHANE)..... | 2 |
| 6 | 620161 | | SPLIT SPACER (STEEL)..... | 1 |
| 7 | 614974 | | FLANGED HEX NUT, M10 - 1.5..... | 1 |
| 8 | | | | |
| 9 | 630819 | | U - BOLT, 3/8" - 16 X 5.75" LG..... | 2 |
| 10 | 633986 | | AXLE SUPPORT BRACKET..... | 1 |
| 11 | 625658 | | SHOCK MOUNT PLATE (PASSENGER SIDE)..... | 1 |
| 12 | 625657 | | SHOCK MOUNT PLATE (DRIVER SIDE)..... | 1 |
| 13 | 11098G4 | | LOCK NUT, 3/8" - 16..... | 4 |
| 14 | 00571G3 | | FLAT WASHER, 5/16"..... | 4 |
| 15 | 601754 | | FLANGED HEX HEAD BOLT, M10 - 1.5 X 100 MM LG..... | 2 |
| 16 | 652245 | | SHACKLE PLATE..... | 2 |
| 17 | 624030 | | FLANGED BUSHING (IGUS)..... | 4 |
| 18 | 620161 | | SPLIT SPACER (STEEL)..... | 2 |
| 19 | 614974 | | FLANGED HEX NUT, M10 - 1.5..... | 2 |
| 20 | | | | |
| 21 | | | | |
| 22 | 10194G1 | | RUBBER BUSHING..... | 4 |
| 23 | 10435G1 | | SHOCK ABSORBER WASHER, 1.25" O.D. X .406" I.D X .22" LG..... | 4 |
| 24 | 00532G6 | | HEX NUT, 3/8" - 24..... | 2 |

SEATING

- 1** SEAT BOTTOM ASSEMBLY includes items 2 - 11
- 8** SEAT BOTTOM SUB-ASSEMBLY (STONE BEIGE) (PASSENGER SIDE) includes items 12 - 17
- 9** SEAT BOTTOM SUB-ASSEMBLY (STONE BEIGE) (DRIVER SIDE) includes items 12 - 16, 18
- 10** SEAT BOTTOM SUB-ASSEMBLY (OYSTER) (PASSENGER SIDE) includes items 12 - 15, 17, 19
- 11** SEAT BOTTOM SUB-ASSEMBLY (OYSTER) (DRIVER SIDE) includes items 12 - 15, 18, 19



THE USE OF NON U.L. PARTS WILL VOID ANY U.L. LISTING.

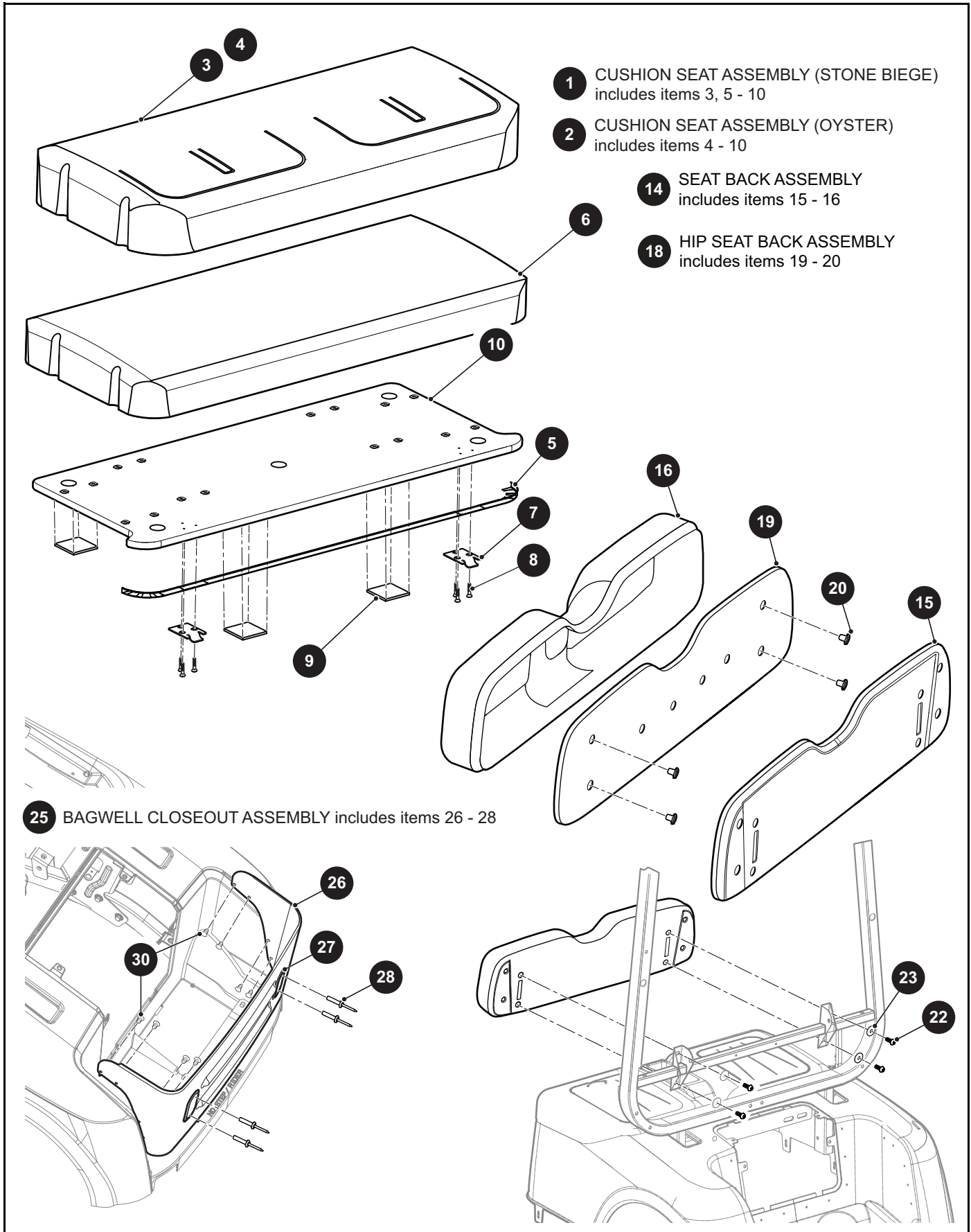
When ordering parts, please specify the model and serial number of the product.

* Indicates a component that is not available as an individual part.

*** Indicates consult Customer Service Department for additional information.

| ITEM | PART NO. | 1 2 3 4 5 | DESCRIPTION | QTY. |
|------|-------------|-----------|---|------|
| 1 | 629269G11XX | | SEAT BOTTOM ASSEMBLY (INCLUDES ITEMS 2 - 11) | 1 |
| 2 | 614233 | | FRONT BUCKET SEAT CENTER CONSOLE | 1 |
| 3 | 617644 | | HIP RESTRAINT (PASSENGER SIDE) | 1 |
| 4 | 617645 | | HIP RESTRAINT (DRIVER SIDE) | 1 |
| 5 | 613264 | | FRONT BUCKET SEAT STRAP | 2 |
| 6 | 608290 | | PAN HEAD PHILLIPS SELF TAPPING SCREW, #10 - 16 X 3/4" LG | 4 |
| 7 | 615417 | | BUTTON HEAD TORX BOLT, M10 - 1.5 X 1" LG..... | 4 |
| 8 | 614716 | | SEAT BOTTOM SUB-ASSEMBLY (STONE BEIGE) (PASSENGER SIDE) (INCLUDES ITEMS 12 - 17)..... | 1 |
| 9 | 614717 | | SEAT BOTTOM SUB-ASSEMBLY (STONE BEIGE) (DRIVER SIDE) (INCLUDES ITEMS 12 - 16, 18)..... | 1 |
| 10 | 614718 | | SEAT BOTTOM SUB-ASSEMBLY (OYSTER) (PASSENGER SIDE) (INCLUDES ITEMS 12 - 15, 17, 19)..... | 1 |
| 11 | 614719 | | SEAT BOTTOM SUB-ASSEMBLY (OYSTER) (DRIVER SIDE) (INCLUDES ITEMS 12 - 15, 18, 19)..... | 1 |
| 12 | 614104 | | BUCKET SEAT BOTTOM BOARD | 1 |
| 13 | 613253 | | BUCKET SEAT FOAM | 1 |
| 14 | 00720G08 | | FLAT HEAD PHILLIPS TAPPING SCREW, #12 - 14 X 1" LG..... | 3 |
| 15 | 71610G01 | | SEAT HINGE..... | 1 |
| 16 | 613254 | | BUCKET SEAT BOTTOM VINYL COVER (STONE BEIGE) | 1 |
| 17 | 612659 | | BUCKET SEAT BOTTOM TRIM (PASSENGER SIDE)..... | 1 |
| 18 | 612658 | | BUCKET SEAT BOTTOM TRIM (DRIVER SIDE) | 1 |
| 19 | 614098 | | BUCKET SEAT BOTTOM VINYL COVER (OYSTER)..... | 1 |
| 20 | | | | |
| 21 | | | | |
| 22 | | | | |
| 23 | 632527 | | CENTER CLOSEOUT CONSOLE | 1 |
| 24 | 608290 | | SELF TAPPING SCREW, #10 - 16 X 3/4" LG | 1 |

SEATING



THE USE OF NON U.L. PARTS WILL VOID ANY U.L. LISTING.

When ordering parts, please specify the model and serial number of the product.

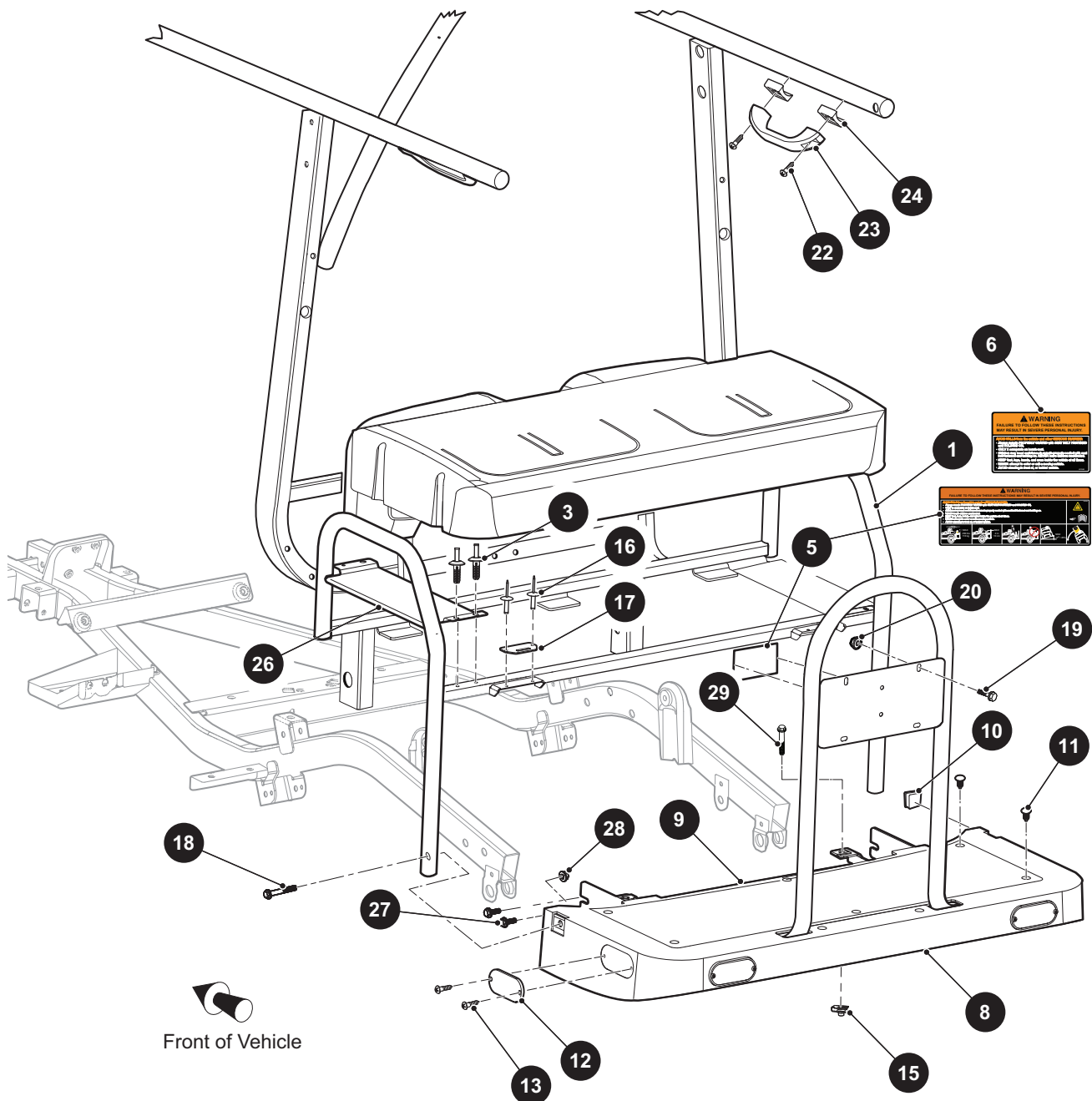
* Indicates a component that is not available as an individual part.

*** Indicates consult Customer Service Department for additional information.

| ITEM | PART NO. | 1 2 3 4 5 | DESCRIPTION | QTY. |
|------|-------------|-----------|--|------|
| 1 | 609513 | | CUSHION SEAT ASSEMBLY (STONE BIEGE) (INCLUDES ITEMS 3, 5 - 10) | 1 |
| 2 | 610678 | | CUSHION SEAT ASSEMBLY (OYSTER) (INCLUDES ITEMS 4 - 10)..... | 1 |
| 3 | 609515 | | VINYL COVER (STONE BIEGE) | 1 |
| 4 | 71624G03 | | VINYL COVER (OYSTER) | 1 |
| 5 | 71012G01 | | SEAT BOTTOM TRIM..... | 1 |
| 6 | 71625G01 | | SEAT BOTTOM PADDING (FOAM) | 1 |
| 7 | 71610G01 | | SEAT HINGE | 2 |
| 8 | 00720G08 | | FLAT HEAD PHILLIPS TAPPING SCREW, #12 - 14 X 1" LG | 6 |
| 9 | 17074G1 | | SOILING SLAB..... | 5 |
| 10 | 645487 | | SEAT BOTTOM ASSEMBLY, OASIS..... | 1 |
| 11 | | | | |
| 12 | | | | |
| 13 | | | | |
| 14 | 641897G00XX | | SEAT BACK ASSEMBLY (INCLUDES ITEMS 15 - 16) (See COLOR CODES in HOW TO USE Section) | 1 |
| 15 | 605529 | | SEAT BACK COVER | 1 |
| 16 | 644820G01 | | VINYL AND FOAM | 1 |
| 17 | | | | |
| 18 | 644268 | | HIP SEAT BACK ASSEMBLY (INCLUDES ITEMS 19 - 20) | 1 |
| 19 | 644286 | | HIP SEAT BACK | 1 |
| 20 | 632420 | | RIVETED T-NUT, M10 - 1.5 | 4 |
| 21 | | | | |
| 22 | 600530 | | BUTTON HEAD TORX BOLT, M10 - 1.5 X 25 MM LG | 4 |
| 23 | 604066 | | FLAT WASHER, M10 | 4 |
| 24 | | | | |
| 25 | 643973 | | BAGWELL CLOSEOUT ASSEMBLY (INCLUDES ITEMS 26 - 28) | 1 |
| 26 | 643062 | | BAGWELL CLOSEOUT | 1 |
| 27 | 614973 | | RED REFLECTOR | 1 |
| 28 | 71055G02 | | RIVET, 3/16" DIA | 2 |
| 29 | | | | |
| 30 | 16816G2 | | RATCHET RIVET, .25" X .887" | 8 |

SEATING

7 FLOORBOARD ASSEMBLY includes items 8 -13



THE USE OF NON U.L. PARTS WILL VOID ANY U.L. LISTING.

When ordering parts, please specify the model and serial number of the product.

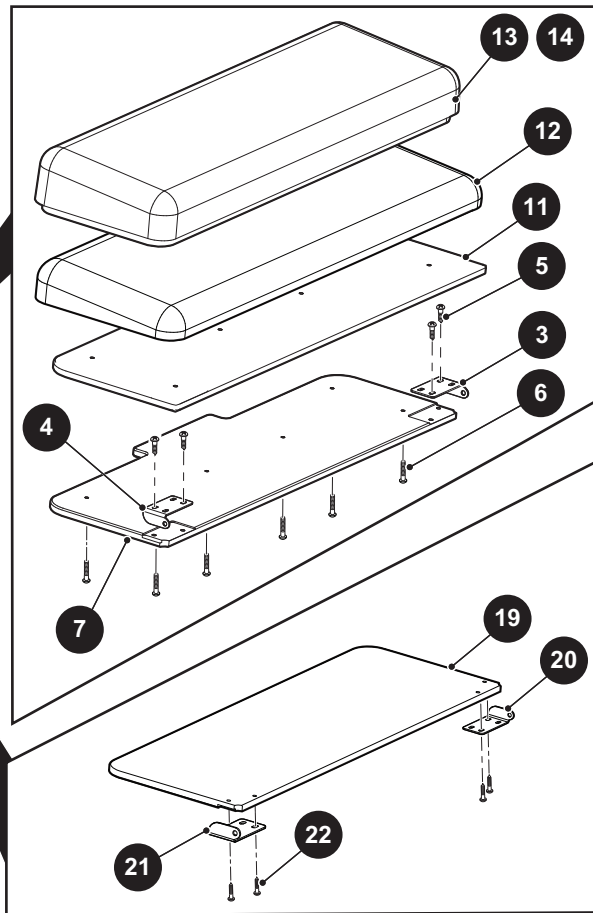
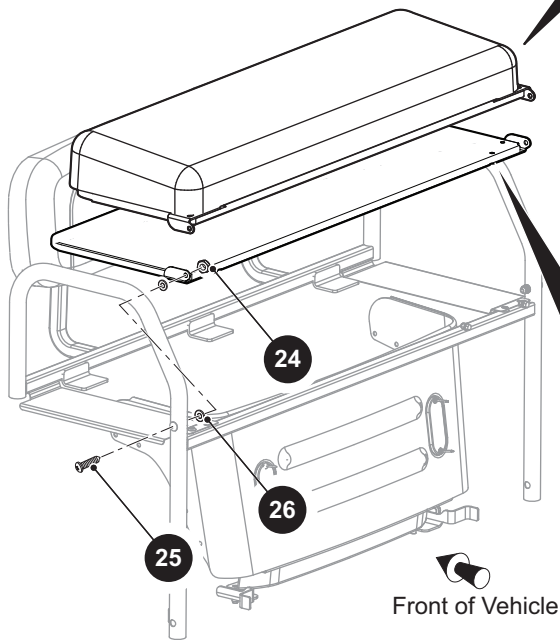
* Indicates a component that is not available as an individual part.

*** Indicates consult Customer Service Department for additional information.

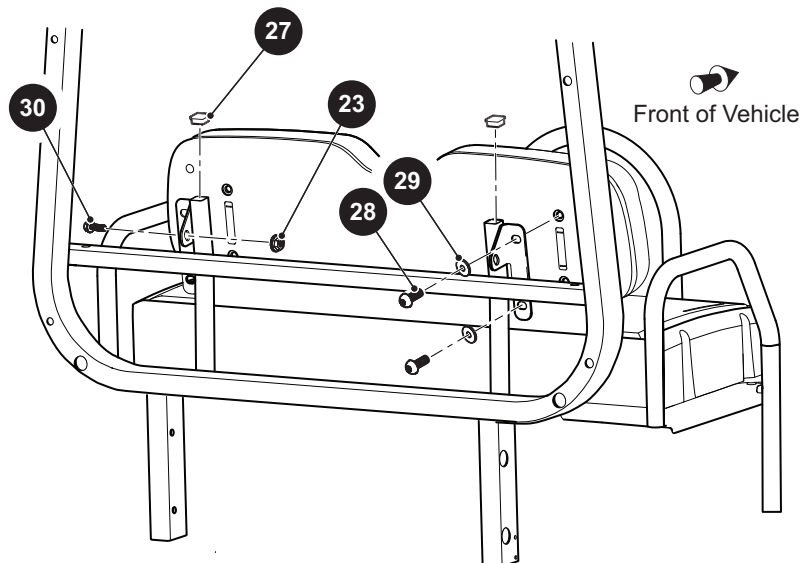
| ITEM | PART NO. | 1 2 3 4 5 | DESCRIPTION | QTY. |
|------|-----------|-----------|--|------|
| 1 | 609023 | | REAR SEAT FRAME WELDMENT | 1 |
| 2 | | | | |
| 3 | 18436G1 | | DRIVE RIVET, 3/16" | 4 |
| 4 | | | | |
| 5 | 615150 | | CONVERTIBLE SEAT, WARNING LABEL..... | 1 |
| 6 | 611362 | | REAR FACING SEAT, WARNING LABEL | 1 |
| 7 | 642444G02 | | FLOORBOARD ASSEMBLY (INCLUDES ITEMS 8 - 13) | 1 |
| 8 | 638346G02 | | FOOTREST WELDMENT | 1 |
| 9 | 609851 | | FOOTREST COVER..... | 1 |
| 10 | 19853G1 | | TUBE CAP, 1" | 2 |
| 11 | 16816G2 | | RATCHET RIVET, .25" X .887" | 10 |
| 12 | 614973 | | OVAL RED REFLECTOR..... | 4 |
| 13 | 608290 | | PAN HEAD PHILLIPS SELF TAPPING SCREW, #10 - 16 X 3/4" LG | 8 |
| 14 | | | | |
| 15 | 603818 | | BARREL CLIP, M10 - 1.5..... | 2 |
| 16 | 10570G11 | | TYPE B (SS) RIVET, 3/16" X .70"..... | 2 |
| 17 | 71609G01 | | SEAT HINGE PLATE | 2 |
| 18 | 602415 | | FLANGED HEX HEAD BOLT, M10 - 1.5 X 80 MM LG | 1 |
| 19 | 606265 | | FLANGED HEX HEAD BOLT, M6 - 1 X 12 MM LG | 1 |
| 20 | 601476 | | LOCK NUT, M6 - 1 | 1 |
| 21 | | | | |
| 22 | 612255 | | PAN HEAD PHILLIPS SELF TAPPING TORX SCREW, #12 - 14 X 1" LG..... | 2 |
| 23 | 611774 | | GRAB HANDLE | 1 |
| 24 | 612254 | | GRAB HANDLE MOUNT..... | 2 |
| 25 | | | | |
| 26 | 612620 | | CLOSE OUT - REAR FACING SEAT (PASSENGER SIDE)..... | 2 |
| 27 | 603799 | | FLANGED HEX HEAD BOLT, M10 - 1.5 X 25 MM LG | 2 |
| 28 | 600525 | | FLANGED HEX LOCK NUT, M10 - 1.5..... | 1 |
| 29 | 603800 | | FLANGED HEX HEAD BOLT, M10 - 1.5 X 50 MM LG | 2 |

SEATING

- 1** SEAT ASSEMBLY (STONE BIEGE)
includes items 3 - 7, 8
- 2** SEAT ASSEMBLY (OYSTER)
includes items 3 - 7, 9
- 8** SEAT BOTTOM ASSEMBLY (STONE BIEGE)
includes items 10 - 12, 14
- 9** SEAT BOTTOM ASSEMBLY (OYSTER)
includes items 10 - 13



- 18** DECK BED ASSEMBLY
includes items 19 - 22



THE USE OF NON U.L. PARTS WILL VOID ANY U.L. LISTING.

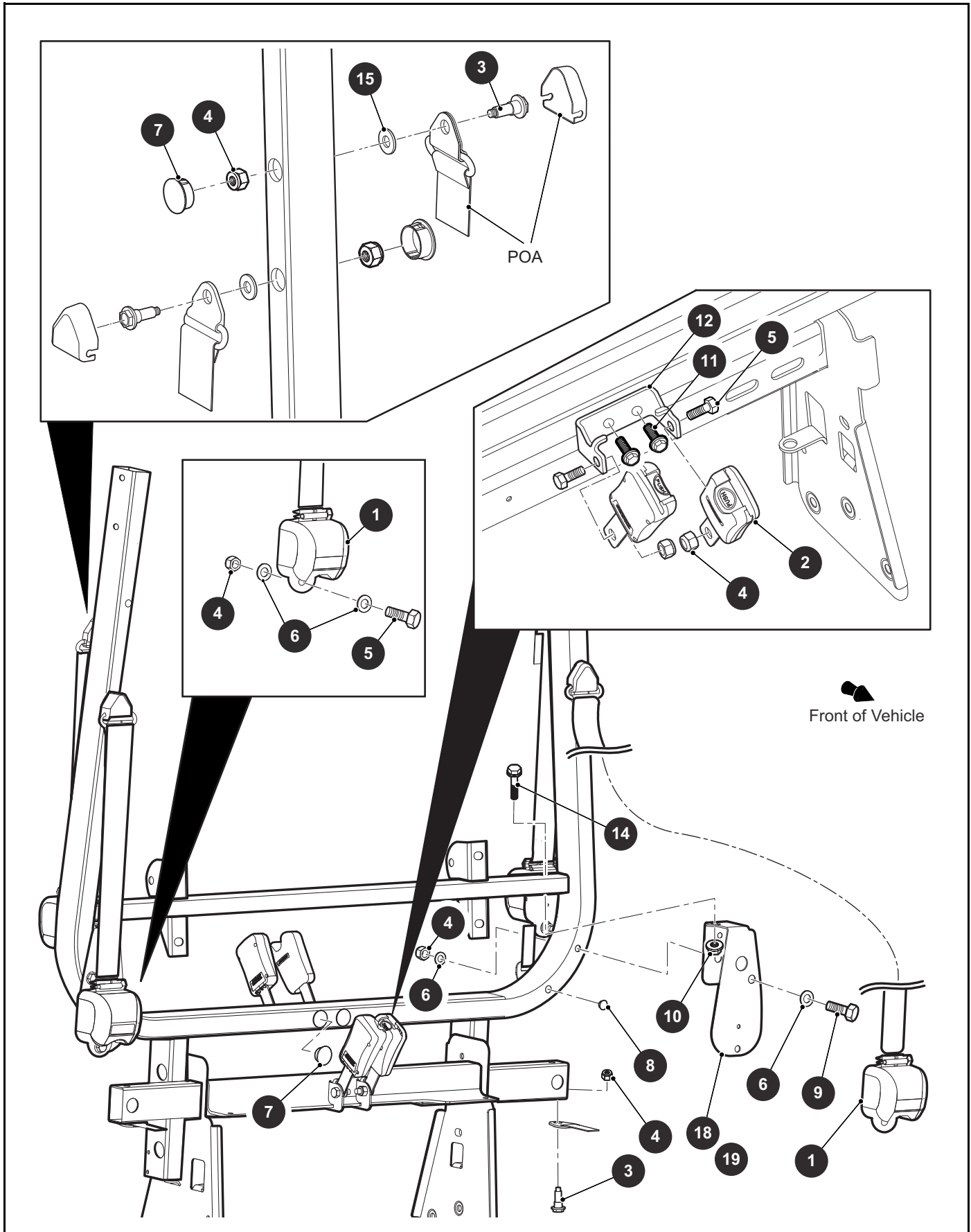
When ordering parts, please specify the model and serial number of the product.

* Indicates a component that is not available as an individual part.

*** Indicates consult Customer Service Department for additional information.

| ITEM | PART NO. | 1 2 3 4 5 | DESCRIPTION | QTY. |
|------|----------|-----------|--|------|
| 1 | 615193 | | SEAT ASSEMBLY (STONE BEIGE) (INCLUDES ITEMS 3 - 7, 8)..... | 1 |
| 2 | 615194 | | SEAT ASSEMBLY (OYSTER) (INCLUDES ITEMS 3 - 7, 9) | 1 |
| 3 | 75250G01 | | SEAT HINGE (PASSENGER SIDE) | 1 |
| 4 | 75250G02 | | SEAT HINGE (DRIVER SIDE)..... | 1 |
| 5 | 600922 | | TRUSS HEAD SCREW WITH PATCH LOCK, 1/4" - 20 X 5/8" LG | 4 |
| 6 | 00205G4 | | FLAT HEAD SCREW, 1/4" - 20 X 1.5" LG | 6 |
| 7 | 620879 | | SEAT ASSEMBLY DECK BED | 1 |
| 8 | 615192 | | SEAT BOTTOM ASEMBLY (STONE BEIGE) (INCLUDES ITEMS 10 - 12, 14)..... | 1 |
| 9 | 75197G03 | | SEAT BOTTOM ASSEMBLY (OYSTER) (INCLUDES ITEMS 10 - 13) | 1 |
| 10 | 11394G1 | | SEAT STRAP (NOT ILLUSTRATED) | 1 |
| 11 | 75223G01 | | SEAT BOTTOM PLYWOOD..... | 1 |
| 12 | 75199G01 | | SEAT BOTTOM FOAM | 1 |
| 13 | 75252G03 | | VINYL SEAT BOTTOM COVER (OYSTER)..... | 1 |
| 14 | 615191 | | VINYL SEAT BOTTOM COVER (STONE BEIGE)..... | 1 |
| 15 | | | | |
| 16 | | | | |
| 17 | | | | |
| 18 | 615138 | | DECK BED ASSEMBLY (INCLUDES ITEMS 19 - 22) | 1 |
| 19 | 620878 | | DECK BED ASSEMBLY | 1 |
| 20 | 75250G01 | | SEAT HINGE (PASSENGER SIDE) | 1 |
| 21 | 75250G02 | | SEAT HINGE (DRIVER SIDE)..... | 1 |
| 22 | 600922 | | TRUSS HEAD SCREW WITH PATCH LOCK, 1/4" - 20 X 5/8" LG | 4 |
| 23 | 600525 | | FLANGED HEX LOCK NUT, M10 - 1.5..... | 1 |
| 24 | 00891G3 | | LOCK NUT, 5/16" - 18..... | 1 |
| 25 | 00762G8 | | TRUSS HEAD PHILLIPS SCREW, 5/16 - 18 X 2" LG | 1 |
| 26 | 17255G1 | | TEFLON WASHER, .625" O.D X .36" I.D | 2 |
| 27 | 19853G1 | | TUBE CAP, 1" | 2 |
| 28 | 600530 | | BUTTON HEAD TORX BOLT, M10 - 1.5 X 25 MM LG | 2 |
| 29 | 603823 | | FLAT WASHER, M10 - 22..... | 2 |
| 30 | 603799 | | FLANGED HEX HEAD BOLT, M10 - 1.5 X 25 MM LG..... | 1 |

SEATING



THE USE OF NON U.L. PARTS WILL VOID ANY U.L. LISTING.

When ordering parts, please specify the model and serial number of the product.

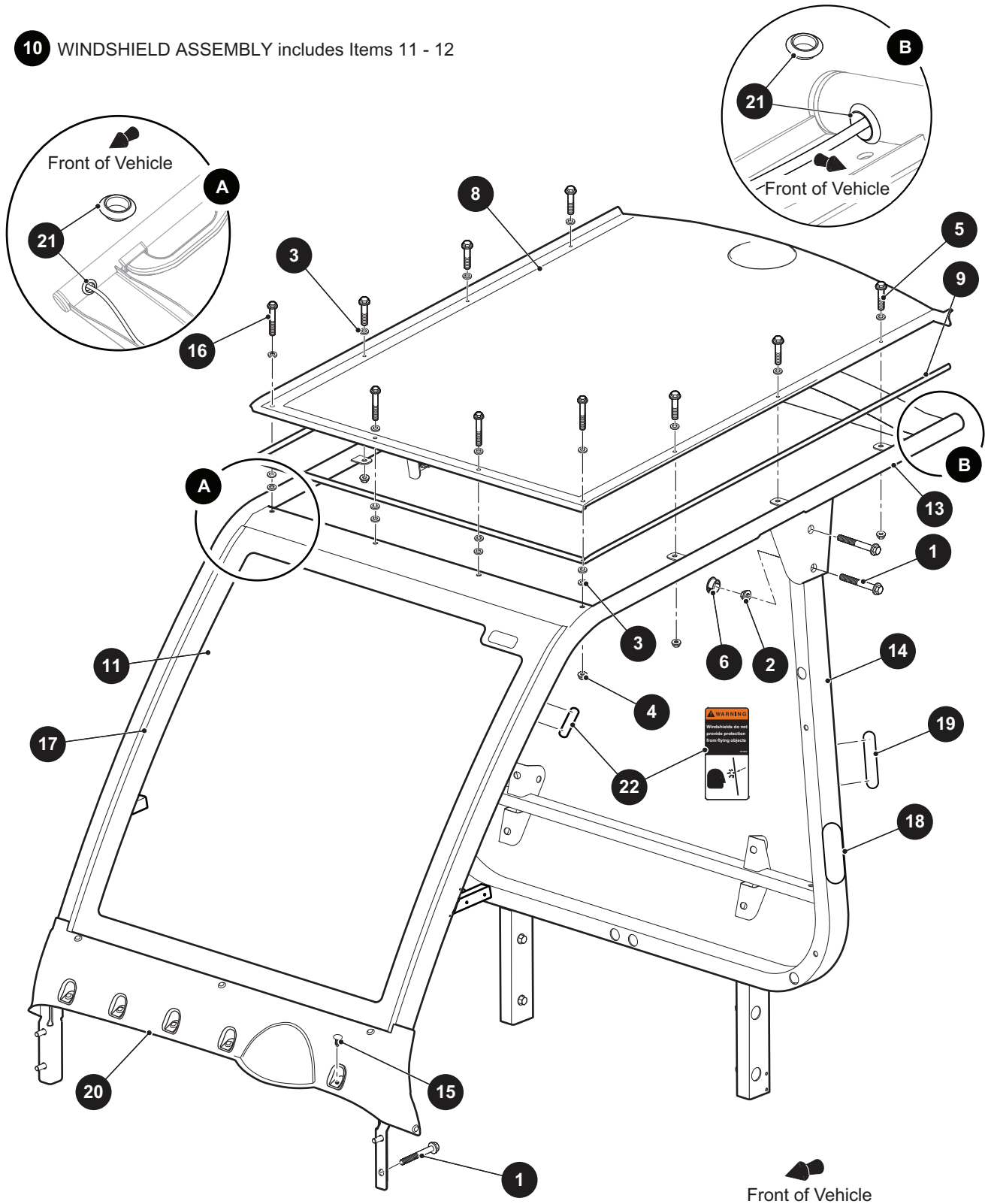
* Indicates a component that is not available as an individual part.

*** Indicates consult Customer Service Department for additional information.

| ITEM | PART NO. | 1 2 3 4 5 | DESCRIPTION | QTY. |
|------|----------|-----------|---|------|
| 1 | 649133 | | SEAT BELT RETRACTOR | 1 |
| 2 | 609854 | | SEAT BELT BUCKLE LATCH, 6" | 2 |
| 3 | 609569 | | HEX HEAD SHOLDER BOLT, 7/16" - 20 X 31 MM LG | 2 |
| 4 | 00734G3 | | LOCK NUT, 7/16" - 20 | 7 |
| 5 | 610753 | | HEX HEAD BOLT, 7/16" - 20 X 1" LG | 3 |
| 6 | 00560G3 | | FLAT WASHER, 3/8" | 2 |
| 7 | 604087 | | HOLE PLUG, 25.4 MM..... | 2 |
| 8 | 610847 | | HOLE PLUG, 11.1 MM..... | 6 |
| 9 | 610755 | | HEX HEAD BOLT, 7/16" - 20 X 3.5" LG | 2 |
| 10 | 600525 | | FLANGED HEX LOCK NUT, M10 - 1.5..... | 2 |
| 11 | 603799 | | FLANGED HEX HEAD BOLT, M10 - 1.5 X 25 MM LG | 2 |
| 12 | 609787 | | REAR SEAT BELT BRACKET | 1 |
| 13 | | | | |
| 14 | 603800 | | FLANGED HEX HEAD BOLT, M10 - 1.5 X 50 MM LG | 1 |
| 15 | 613286 | | FLAT WASHER, 1.313" O.D X .615" I.D X .125" LG..... | 2 |
| 16 | | | | |
| 17 | | | | |
| 18 | 612554 | | SEAT BELT BRACKET (PASSENGER SIDE)..... | 1 |
| 19 | 612555 | | SEAT BELT BRACKET (DRIVER SIDE) | 1 |

WEATHER PROTECTION

10 WINDSHIELD ASSEMBLY includes Items 11 - 12



WEATHER PROTECTION

THE USE OF NON U.L. PARTS WILL VOID ANY U.L. LISTING.

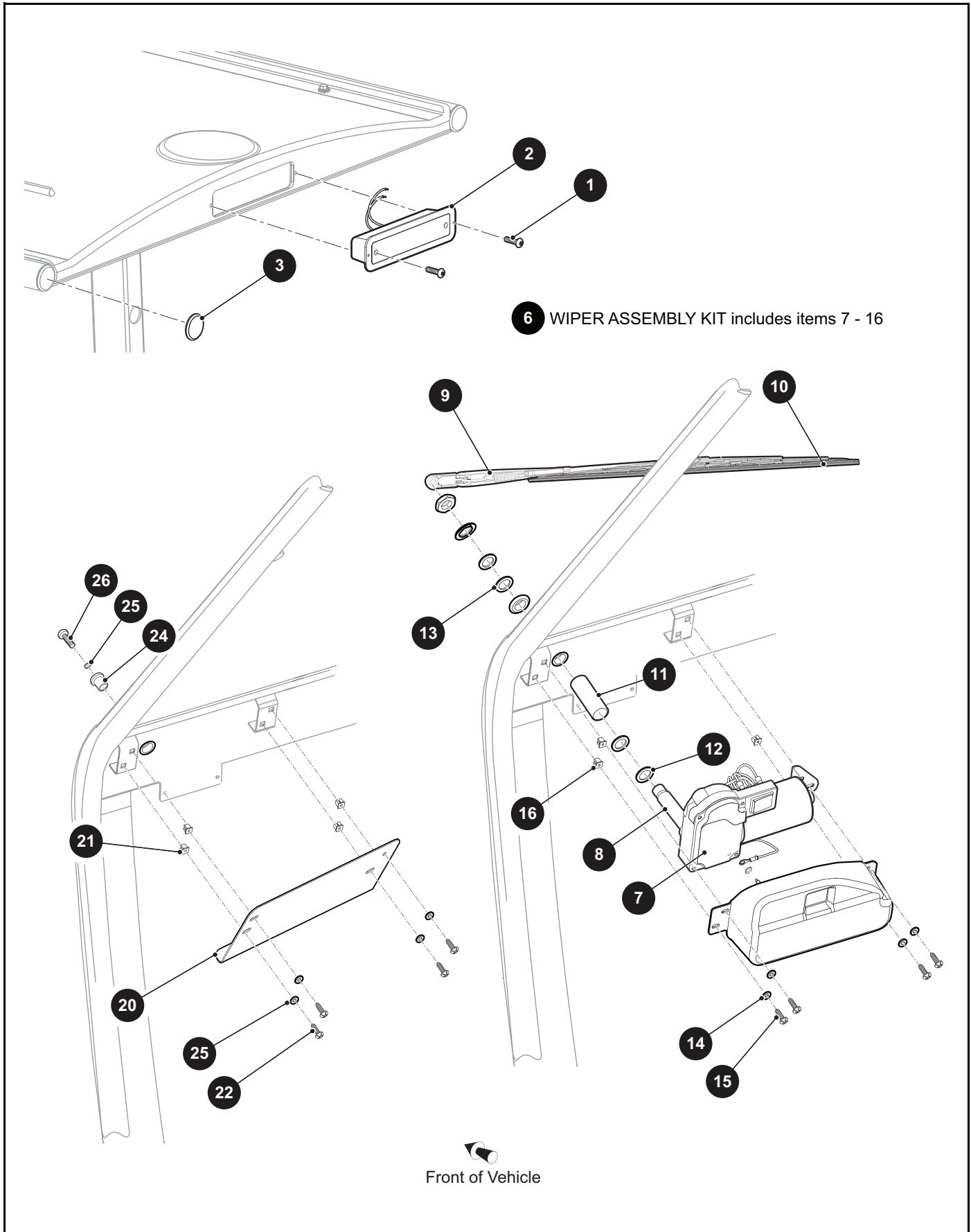
When ordering parts, please specify the model and serial number of the product.

* Indicates a component that is not available as an individual part.

*** Indicates consult Customer Service Department for additional information.

| ITEM | PART NO. | 1 2 3 4 5 | DESCRIPTION | QTY. |
|------|------------|-----------|---|------|
| 1 | 603799 | | FLANGED HEX HEAD BOLT, M10 - 1.5 X 25 MM LG..... | 8 |
| 2 | 600525 | | FLANGED HEX LOCK NUT, M10 - 1.5..... | 4 |
| 3 | 00915G1 | | BONDED SEAL WASHER, # 14..... | 18 |
| 4 | 601476 | | LOCK NUT, M6 - 1..... | 10 |
| 5 | 606264 | | FLANGED HEX HEAD BOLT, M6 - 1 X 20 MM LG..... | 6 |
| 6 | 604087 | | HOLE PLUG, 25.4 MM..... | 2 |
| 7 | | | | |
| 8 | 609233 | | SHORT CANOPY..... | 1 |
| 9 | 609871 | | CANOPY WEATHER SEAL..... | 1 |
| 10 | 611725 | | WINDSHIELD ASSEMBLY (INCLUDES ITEMS 11 - 12)..... | 1 |
| 11 | 609369 | | WINDSHIELD..... | 1 |
| 12 | 611720 | | WINDSHIELD MIRROR MOUNT (NOT ILLUSTRATED)..... | 1 |
| 13 | 626370 | | CANOPY WITH MIRROR TUBE WELDED..... | 1 |
| 14 | 609297 | | CANOPY WELDMENT, SUPPORT TUBE..... | 1 |
| 15 | 18436G1 | | RIVET, 3/16"..... | 10 |
| 16 | 606421 | | FLANGED HEX HEAD BOLT, M6 - 1 X 30 MM LG..... | 4 |
| 17 | 610105 | | WINDSHIELD SEAL..... | 2 |
| 18 | 609418 | | REAR REFLEX REFLECTOR, OVAL..... | 1 |
| 19 | 609421 | | REAR REFLEX REFLECTOR, 2 PASSENGER..... | 1 |
| 20 | 609313 | | WINDSHIELD TRIM..... | 1 |
| 21 | 613515 | | PLUG CAP..... | 2 |
| 22 | 611233 | | WINDSHIELD, LABEL..... | 1 |
| 23 | | | | |
| 24 | | | | |
| 25 | | | | |
| 26 | 633967G101 | | 4 PASS ENCLOSURE, WHITE (NOT ILLUSTRATED)..... | 1 |
| 27 | 633967G102 | | 4 PASS ENCLOSURE, BLACK (NOT ILLUSTRATED)..... | 1 |
| 28 | 633967G103 | | 4 PASS ENCLOSURE, TAN (NOT ILLUSTRATED)..... | 1 |
| 29 | 633967G001 | | 2 PASS ENCLOSURE, WHITE (NOT ILLUSTRATED)..... | 1 |
| 30 | 633967G002 | | 2 PASS ENCLOSURE, BLACK (NOT ILLUSTRATED)..... | 1 |
| 31 | 633967G003 | | 2 PASS ENCLOSURE, TAN (NOT ILLUSTRATED)..... | 1 |

WEATHER PROTECTION



WEATHER PROTECTION

THE USE OF NON U.L. PARTS WILL VOID ANY U.L. LISTING.

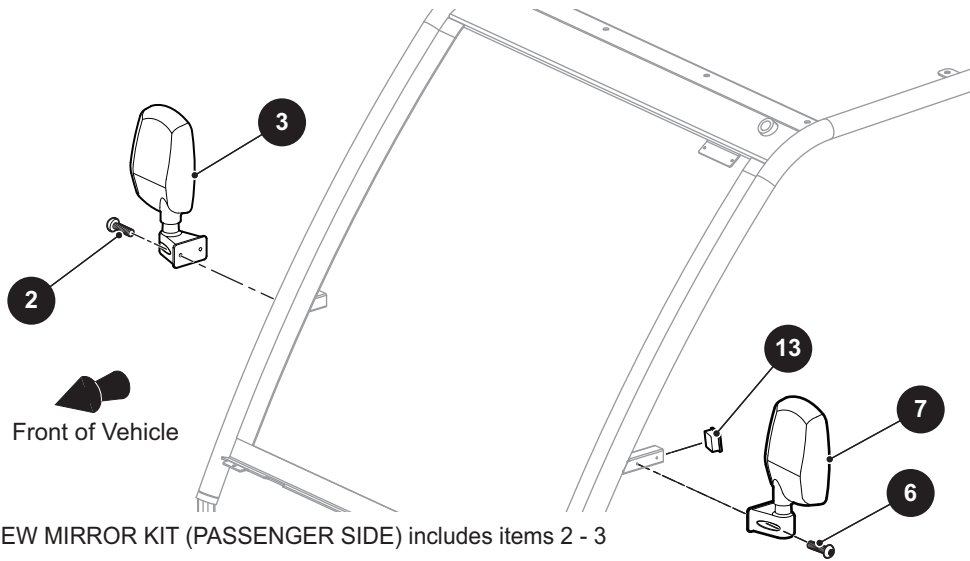
When ordering parts, please specify the model and serial number of the product.

* Indicates a component that is not available as an individual part.

*** Indicates consult Customer Service Department for additional information.

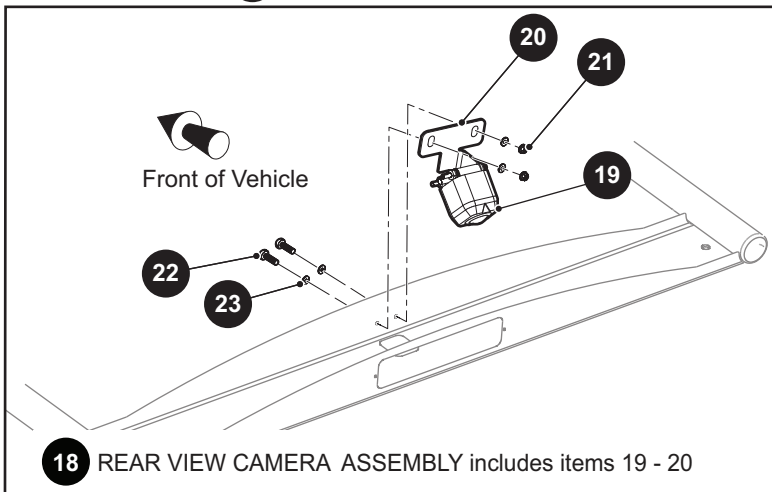
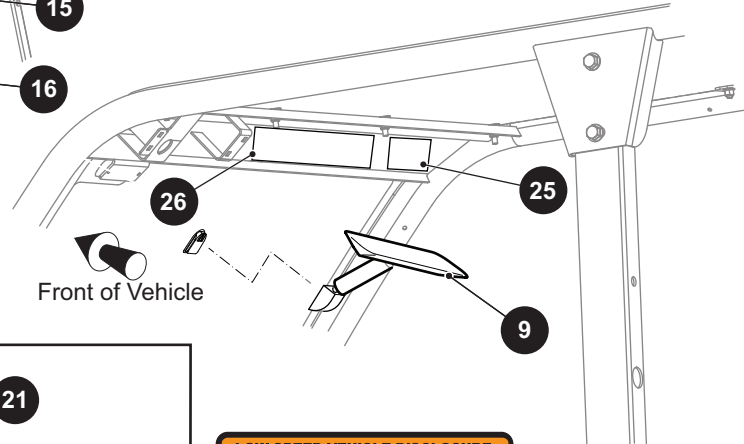
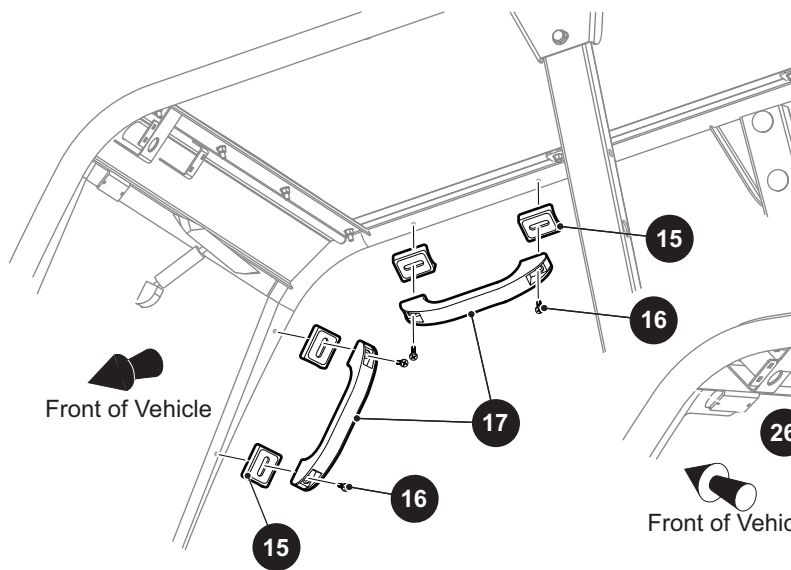
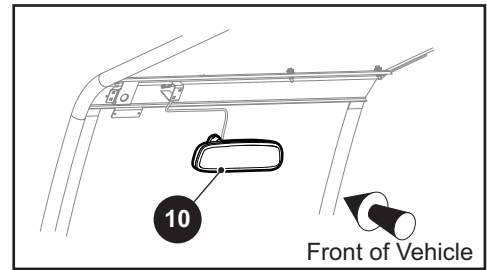
| ITEM | PART NO. | 1 2 3 4 5 | DESCRIPTION | QTY. |
|------|----------|-----------|---|------|
| 1 | 00118G5 | | PAN HEAD PHILLIPS SELF TAPPING SCREW, #6 - 18 X .625" LG..... | 2 |
| 2 | 612021 | | CENTER BRAKE LIGHT ASSEMBLY..... | 1 |
| 3 | 617679 | | TUBE PLUG (PLASTIC), 1.5" O.D..... | 2 |
| 4 | | | | |
| 5 | | | | |
| 6 | 620690 | | WIPER ASSEMBLY KIT (INCLUDES ITEMS 7 - 16)..... | 1 |
| 7 | 609204 | | WIPER MOTOR COVER..... | 1 |
| 8 | 610695 | | WIPER MOTOR ASSEMBLY..... | 1 |
| 9 | 609372 | | WIPER ARM..... | 1 |
| 10 | 609427 | | WIPER BLADE, 22"..... | 1 |
| 11 | 612895 | | NYLON TUBE..... | 1 |
| 12 | 21830G1 | | BRAKE DRUM WASHER, .76"..... | 1 |
| 13 | 613286 | | FLAT WASHER, 9/16"..... | 2 |
| 14 | 00559G4 | | FLAT WASHER, #8..... | 3 |
| 15 | 00614G4 | | PAN HEAD PHILLIPS SCREW, #8 - 18 X 1/2" LG..... | 4 |
| 16 | 609814 | | PLASTIC SCREW ANCHOR..... | 4 |
| 17 | | | | |
| 18 | | | | |
| 19 | | | | |
| 20 | 611773 | | WIPER HARNESS COVER..... | 1 |
| 21 | 609814 | | PLASTIC SCREW ANCHOR..... | 4 |
| 22 | 00614G4 | | PAN HEAD PHILLIPS SELF DRILL SCREW, #8 - 18 X 1/2" LG..... | 4 |
| 23 | 00559G4 | | FLAT WASHER, #8..... | 4 |
| 24 | 614311 | | WIPER PLUG..... | 1 |
| 25 | 604066 | | FLAT WASHER, M10 - 1.5..... | 1 |
| 26 | 600530 | | BUTTON HEAD TORX BOLT, M10 - 1.5 X 25 MM LG..... | 1 |

WEATHER PROTECTION



1 SIDE VIEW MIRROR KIT (PASSENGER SIDE) includes items 2 - 3

5 SIDE VIEW MIRROR KIT (DRIVER SIDE) includes items 6 - 7



18 REAR VIEW CAMERA ASSEMBLY includes items 19 - 20

LOW SPEED VEHICLE DISCLOSURE
 THIS VEHICLE IS CLASSIFIED AS A LOW SPEED VEHICLE
 THIS VEHICLE
 • has a maximum speed of greater than 20 miles per hour, but not greater than 25 miles per hour;
 • shall not be operated on a public highway with a speed limit in excess of the maximum specified by the state or local jurisdiction in which it is operated;
 • may be a hazard on the roadways if it impedes traffic;
 • may subject the driver to citations for impeding traffic;
 • may not be equipped with such safety features as bumpers, a padded dashboard, visors and a tear-resistant cotover, and
 • may be subject to other restrictions specified by the state or local jurisdiction in which it is operated.

| WARNING | OPERATING INSTRUCTIONS | AVOID TIP OVERS |
|---|--|---|
| <p>DISCLOSURE: READ all warning labels and the owner's manual. Contact an authorized E-Z-GO dealer or visit www.ezgo.com for a replacement manual.</p> <p>*This vehicle is equipped for personal use in most circumstances. However, state law or local rules may require additional equipment in some situations.</p> <p>SAFE OPERATION: *Do not drink alcohol or use drugs; always observe the speed limit.</p> <p>*Always keep the vehicle in a complete stop BEFORE shifting the drive selector.</p> <p>*Operate from the driver's seat ONLY.</p> <p>PARKING: *Set the drive selector to "OFF" and remove the key (the parking brake is automatically engaged when the key is removed).</p> <p>MAINTENANCE: *This vehicle requires regularly scheduled maintenance (see owner's manual). ONLY qualified personnel service this vehicle.</p> | <p>Always Buckle Up</p> <p>Do Not Drink & Drive Do Not Drive if You are Too Impaired</p> | <p>AVOID TIP OVERS</p> <p>AVOID EXCESSIVE SPEED</p> <p>AVOID IMPROPER TURNS</p> <p>AVOID OVERLOADING</p> |

WEATHER PROTECTION

THE USE OF NON U.L. PARTS WILL VOID ANY U.L. LISTING.

When ordering parts, please specify the model and serial number of the product.

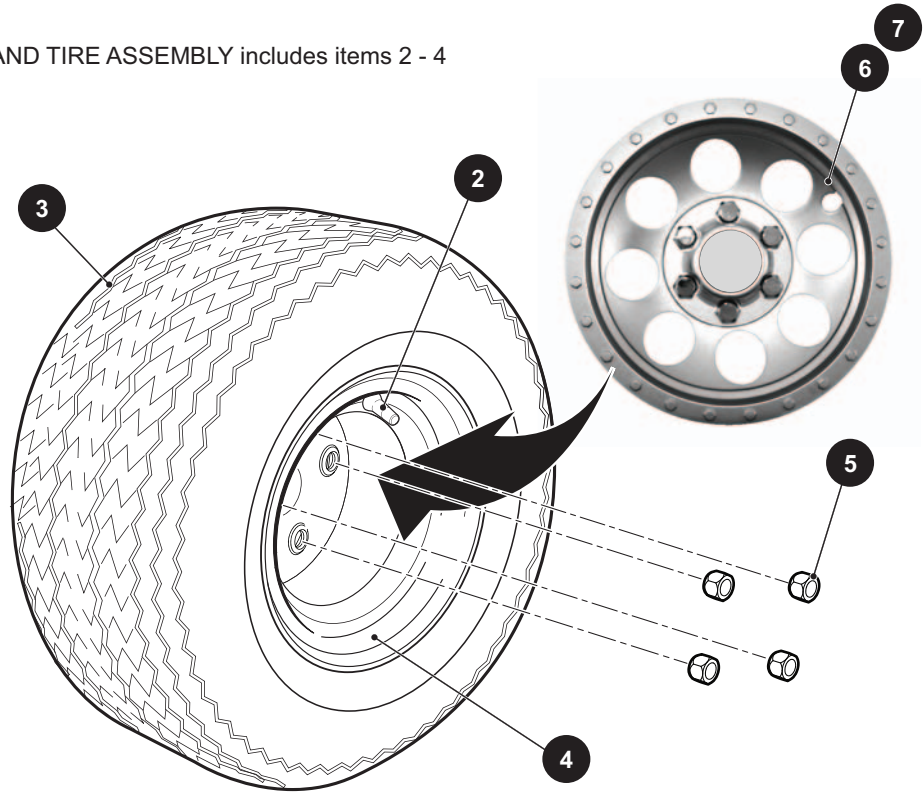
* Indicates a component that is not available as an individual part.

*** Indicates consult Customer Service Department for additional information.

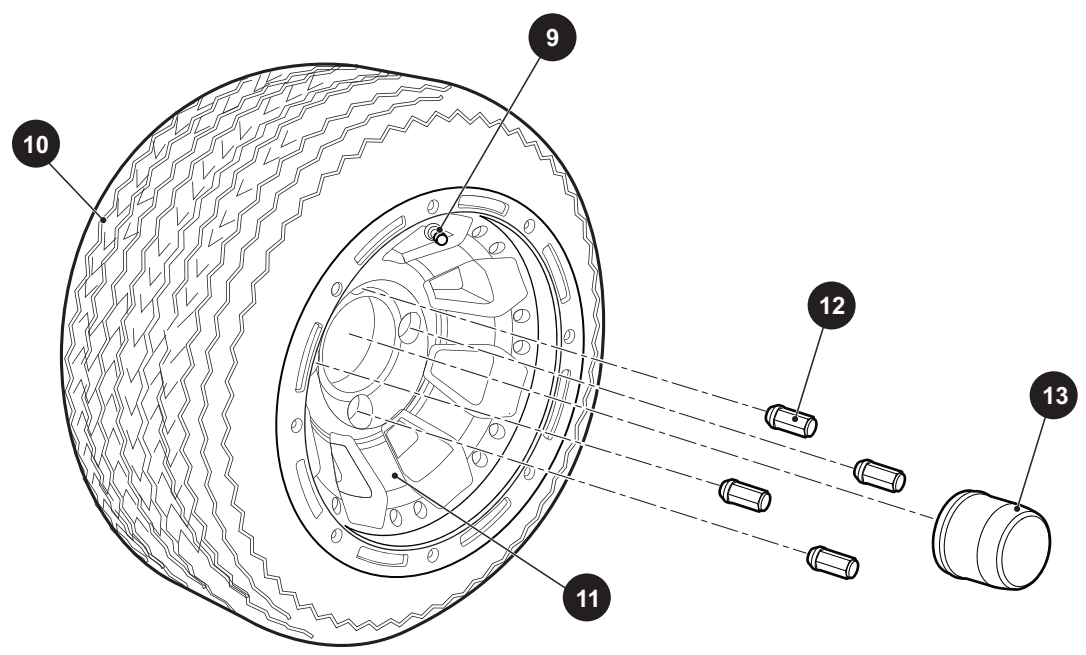
| ITEM | PART NO. | 1 2 3 4 5 | DESCRIPTION | QTY. |
|------|----------|-----------|--|------|
| 1 | 625785 | | SIDE VIEW MIRROR KIT (PASSENGER SIDE) (INCLUDES ITEMS 2 - 3) | 1 |
| 2 | 00614G5 | | PAN HEAD SELF TAPPING SCREW, # 8 - 18 X 5/8" LG | 2 |
| 3 | 621127 | | SIDE VIEW MIRROR (PASSENGER SIDE)..... | 1 |
| 4 | | | | |
| 5 | 625786 | | SIDE VIEW MIRROR KIT (DRIVER SIDE) (INCLUDES ITEMS 6 - 7) | 1 |
| 6 | 00614G5 | | PAN HEAD SELF TAPPING SCREW, # 8 - 18 X 5/8" LG | 2 |
| 7 | 621147 | | SIDE VIEW MIRROR (DRIVER SIDE)..... | 1 |
| 8 | | | | |
| 9 | 609376 | | REAR VIEW MIRROR (FOR VEHICLES MANUFACTURED BEFORE MARCH 4, 2018) | 1 |
| 10 | 670781 | | REAR VIEW MIRROR (FOR VEHICLES MANUFACTURED AFTER MARCH 4, 2018)..... | 1 |
| 11 | | | | |
| 12 | | | | |
| 13 | 19853G1 | | TUBE CAP | 2 |
| 14 | | | | |
| 15 | 612254 | | GRAB HANDLE MOUNT | 4 |
| 16 | 612255 | | PAN HEAD PHILLIPS TORX SCREW, 12" - 14 X 1" LG | 4 |
| 17 | 611774 | | GRAB HANDLE | 2 |
| 18 | 675119 | | REAR VIEW CAMERA ASSEMBLY (INCLUDES ITEMS 19 - 20) | 1 |
| 19 | 670782 | | CAMERA | 1 |
| 20 | 673985 | | BRACKET..... | 1 |
| 21 | 14390G9 | | LOCK NUT, # 6 - 32" | 2 |
| 22 | 00645G5 | | PAN HEAD PHILLIPS SCREW, # 6 - 32 X .62" LG | 2 |
| 23 | 00559G3 | | FLAT WASHER, M6 | 4 |
| 24 | | | | |
| 25 | 611962 | | LABEL, 25MPH VEHICLE..... | 1 |
| 26 | 610798 | | OPERATOR INSTUCTIONS LABEL..... | 1 |

WHEELS AND TIRES

1 WHEEL AND TIRE ASSEMBLY includes items 2 - 4



8 TIRE AND MAG WHEEL ASSEMBLY includes items 9 - 11



WHEELS AND TIRES

THE USE OF NON U.L. PARTS WILL VOID ANY U.L. LISTING.

When ordering parts, please specify the model and serial number of the product.

* Indicates a component that is not available as an individual part.

*** Indicates consult Customer Service Department for additional information.

| ITEM | PART NO. | 1 2 3 4 5 | DESCRIPTION | QTY. |
|------|----------|-----------|---|------|
| 1 | 623904 | | WHEEL AND TIRE ASSEMBLY (INCLUDES ITEMS 2 - 4) | 1 |
| 2 | 620659 | | VALVE STEM..... | 1 |
| 3 | 614246 | | KENDA RADIAL PRO TOUR TIRE, 205"/50" R10..... | 1 |
| 4 | 620658 | | SILVER CHROME WHEEL, 10" X 6" | 1 |
| 5 | 14723G1 | | LUG NUT, 1/2" - 20 | 4 |
| 6 | 608912 | | WHEEL COVER, 10" (FOR VEHICLES MANUFACTURED BEFORE JANUARY 8, 2018)..... | 1 |
| 7 | 665151 | | WHEEL COVER, 10" (SILVER) (FOR VEHICLES MANUFACTURED AFTER JANUARY 8, 2018)..... | 1 |
| 8 | 623906 | | TIRE AND MAG WHEEL ASSEMBLY (INCLUDES ITEMS 9 - 11) | 1 |
| 9 | 604915 | | VALVE STEM (CHROME) | 1 |
| 10 | 614246 | | KENDA RADIAL PRO TOUR TIRE, 205"/50" R10..... | 1 |
| 11 | 606152 | | WHEEL (DIAMOND)..... | 1 |
| 12 | 605310 | | LUG NUT (CHROME), 1/2" - 20..... | 4 |
| 13 | 608910 | | DIAMOND WHEEL CAP | 1 |



A Textron Company

E-Z-GO Division of Textron Inc.,
1451 Marvin Griffin Road, Augusta, Georgia 30906 - 3852 USA

TO CONTACT US...

North America:

Technical Assistance & Warranty Phone: 1-800-774-3946, FAX: 1-800-448-8124

Service Parts Phone: 1-888-GET-E-Z-GO (1-888-438-3946), FAX: 1-800-752-6175

International: Phone: 001-706-798-4311, FAX: 001-706-771-4609

Service Parts Manuals, as well as Repair and Service Manuals
are available from a local Distributor, an authorized Branch,
Genuine E-Z-GO Parts & Accessories Department or at www.shopezgo.com.

Copyrighted Material
This manual may not be reproduced in whole or
in part without the express permission of
E-Z-GO Division of Textron Inc.
Technical Communications Department