



**BAD BOY<sup>®</sup>**  
**OFF ROAD**

**SERVICE PARTS MANUAL**  
**HD Electric**

**644583-H**

ISSUED JUNE 2015

REVISED JULY 2016





# SERVICE PARTS MANUAL

## 72V ELECTRIC POWERED VEHICLES

### HD ELECTRIC

#### STARTING MODEL YEAR 2016

##### **CALIFORNIA Proposition 65 Warning**

**WARNING:** Motor vehicles may contain fuels, oils and fluids, battery posts, terminals, and related accessories which contain lead and lead compounds and other chemicals identified by the State of California to potentially cause cancer, birth defects, and other reproductive harm. These chemicals are found in vehicles, vehicle parts and accessories, both new and replacements. During maintenance, these vehicles generate used oil, waste fluids, grease, fumes, and particulates, all identified by the State of California to potentially cause cancer, birth defects, and other reproductive harm.

Never modify the vehicle in any way that will alter the weight distribution of the vehicle, decrease its stability or increase the speed beyond the factory specifications. Such modifications can cause serious personal injury or death. Textron Specialized Vehicles prohibits and dis-claims responsibility for any such modifications or any other alteration which would adversely affect the safety of the vehicle.

TSV reserves the right to incorporate engineering and design changes to products in this manual, without obligation to include these changes on units sold previously.

The information contained in this manual may be revised periodically by TSV, and therefore is subject to change without notice.

TSV DISCLAIMS LIABILITY FOR ERRORS IN THIS MANUAL, and SPECIFICALLY DISCLAIMS LIABILITY FOR INCIDENTAL AND CONSEQUENTIAL DAMAGES resulting from the use of the information and materials in this manual.

These are the original instructions as defined by 2006/42/EC.

##### **TO CONTACT US:**

Textron Specialized Vehicles, Inc.  
1451 Marvin Griffin Road  
Augusta, Georgia, USA 30906-3852

##### **NORTH AMERICA:**

Technical Assistance & Warranty PHONE: 1-800-774-3946, FAX: 1-800-448-8124

Service Parts PHONE: 1-888-438-3946, FAX: 1-800-752-6175

International: PHONE: 001-706-798-4311, FAX: 001-706-771-4609

For parts and repair, contact local dealer. Dealers can be located at [www.BADBOYOFFROAD.com](http://www.BADBOYOFFROAD.com)

## NOTES

This vehicle has been designed and manufactured in the United States of America (USA). The standards and specifications listed in the following text originate in the USA unless otherwise indicated.

The use of non Original Equipment Manufacturer (OEM) approved parts may void the warranty.

### BATTERY PROLONGED STORAGE

Batteries self-discharge over time. The rate of self-discharge varies depending on the ambient temperature, the age and condition of the batteries.

Fully charged batteries will not freeze in winter temperatures unless the temperature falls below -75°F (-60°C).

For winter storage, the batteries must be clean, fully charged and disconnected from any source of electrical drain.

The battery charger can remain connected to the vehicle to maintain a full charge on the batteries, as long as the charger is plugged into an active electrical source. If power to the electrical source is disconnected or interrupted, the battery charger continues to check the charge on the battery pack. This pulls power from the battery pack and eventually drains the batteries if power is not restored in a timely manner.

As with all electric vehicles, the batteries must be checked and recharged as required or at a minimum of 30 day intervals.

Check and maintain the proper fluid level in all battery cells during the storage period. Proper fluid level is required for maximum battery performance.

### BATTERY DISPOSAL

Lead-acid batteries are recyclable. Return whole scrap batteries to distributor, manufacturer or lead smelter for recycling. For neutralized spills, place residue in acid-resistant containers with absorbent materials such as sand. Dispose in accordance with local, state and federal regulations for acid and lead compounds. Contact local and/or state environmental officials regarding disposal information.

### WARRANTY

Separate inserts supplied in packaging with the vehicle provide information on Product Warranty and Emissions Warranty. Failure to follow instructions for emission parts replacement may violate Federal Law (40 CFR part 1068.105 (b)) and be subject to fines and other penalties as described in the Clean Air Act.



# TABLE OF CONTENTS

<b>SECTION</b>	<b>Page No.</b>
HOW TO USE THE SERVICE PARTS MANUAL .....	v
ACCELERATOR .....	A - 1
BATTERY SYSTEM AND BATTERY CHARGER.....	B - 1
BODY .....	C - 1
BRAKES .....	D - 1
ELECTRICAL SYSTEM .....	E - 1
ELECTRONIC SPEED CONTROL .....	F - 1
FRONT SUSPENSION AND STEERING .....	G - 1
MOTOR.....	H - 1
REAR AXLE .....	J - 1
REAR SUSPENSION .....	K - 1
SEATING .....	L - 1
TRUCK BED .....	M - 1
WEATHER PROTECTION .....	N - 1
WHEELS AND TIRES.....	P - 1

**NOTES**

A large grid area for taking notes, consisting of many small squares. The grid is approximately 30 columns wide and 55 rows high, providing a structured space for writing or drawing.

# HOW TO USE THE SERVICE PARTS MANUAL

This manual is divided into several sections:

- GENERAL INFORMATION
- ILLUSTRATED PARTS BREAKDOWN
- APPENDIX

The first section, GENERAL INFORMATION, contains the following information:

- WARRANTY INFORMATION
- GENERAL INDEX
- HOW TO USE THE SERVICE PARTS MANUAL

The second section, ILLUSTRATED PARTS BREAKDOWN, contains illustrations and parts lists for all systems of your vehicle.

The third section, APPENDIX, contains a listing of specialty products and accessories.

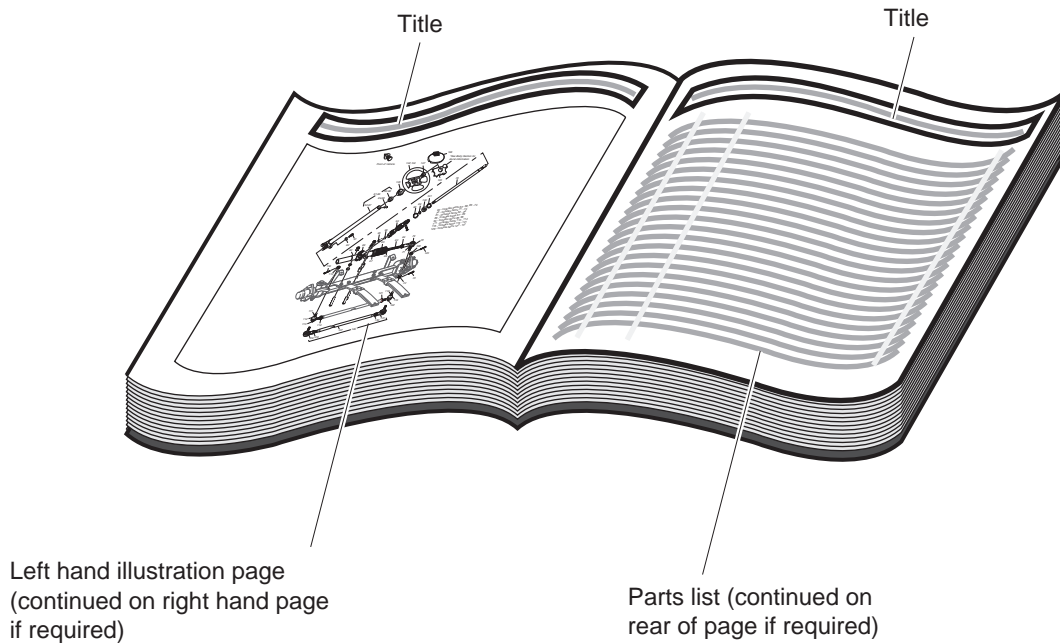
## USE OF THE MANUAL

Use the GENERAL INDEX to locate the information or illustration required.

Vehicle components sometimes change due to the supply of components. It is possible that your specific components are not directly reflected by the illustration. Find the illustration that best represents your vehicle and then contact the Service Parts Department. The serial number and model number of your vehicle must be provided to the Service Parts when ordering any replacement parts.

Locate the serial number plate (see BODY section for location) and note the complete number shown on the plate.

# HOW TO USE THE SERVICE PARTS MANUAL



## 1. WHEN THE PART NUMBER IS NOT KNOWN

- Determine the function and application of the part needed. Turn to the General Index and select the most appropriate title.
- Turn to the page number indicated and locate the part on the illustration.
- From the illustration, obtain the item number assigned to the part. Refer to the accompanying description for specific information regarding the part.

## 2. IF YOU KNOW THE PART NUMBER

- Locate the part number or description in the appropriate column on the parts list page.

NOTE: Confirm that the part selected is correct by verifying it with the pictorial representation on the illustrated page.

If an asterisk (\*) appears in the part number column on the parts list page, read upward until a part number is found. The part number is the lowest assembly sold by the Service Parts Department and the asterisk (\*) indicates that the part is not available for purchase.

NOTE: Descriptions are indented under the assembly that they are used on. That assembly is, in turn listed under the assembly that it is used on. This process is repeated until the highest final assembly is reached.

**To facilitate the maintenance and repair of the vehicle, a Technician's Repair and Service Manual is available from the Service Parts Department.**

# HOW TO USE THE SERVICE PARTS MANUAL

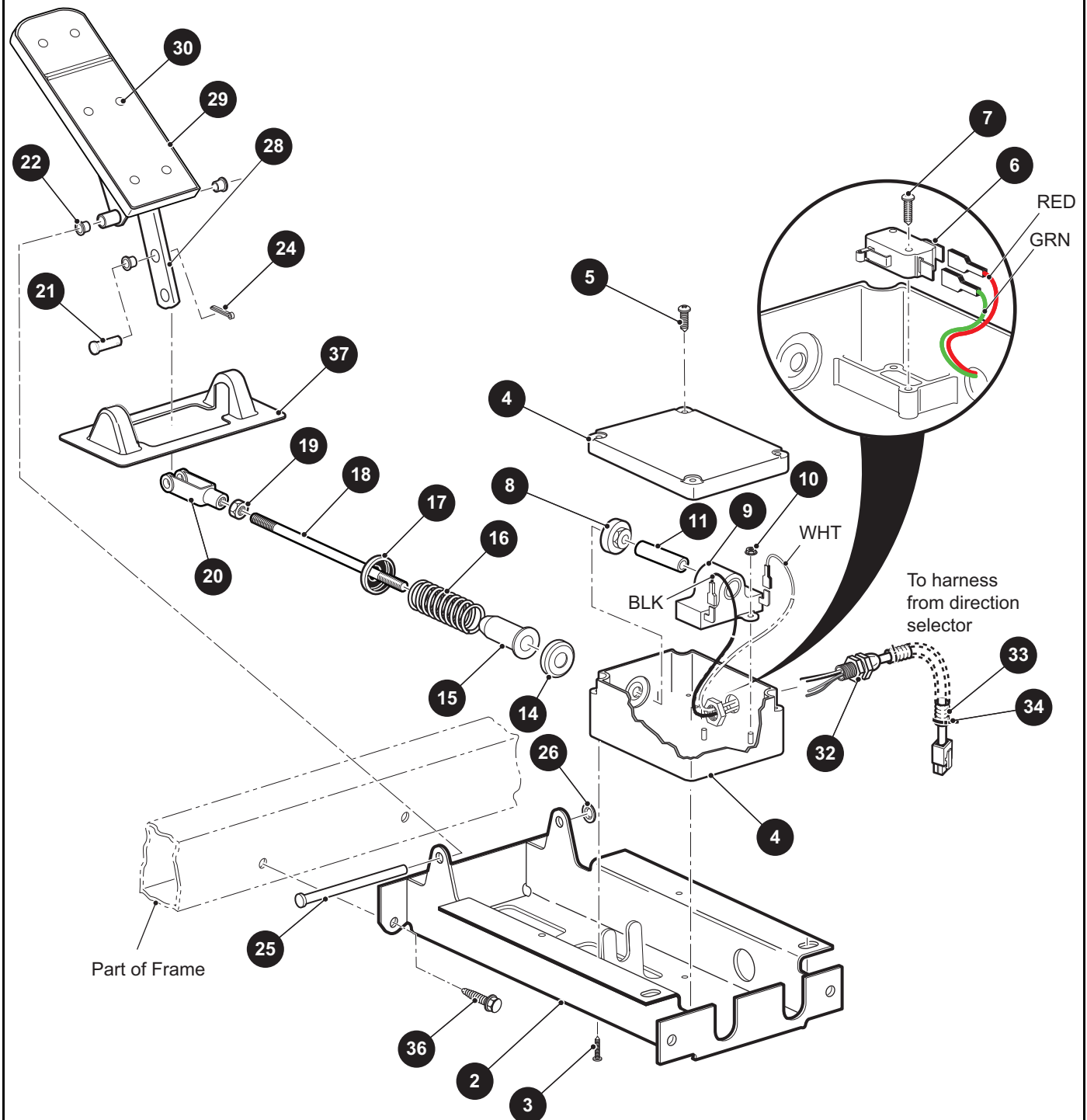
## 3. COLOR CODE FOR BODY COMPONENTS

The last two digits of the part number for the body part will denote the color code. Locate the part number for the cowl, rear body, seat pod, side panel or seat wrap, and then locate your color in the list below. Replace the last \*\* or XX with the two digit color code.

<u>CODE #</u>	<u>DESCRIPTION</u>
39	FLAME RED
72	MATTE BLACK
73	MATTE GREEN
78	REALTREE XTRA DIPPED
80	REALTREE MAX 5 DIPPED

# ACCELERATOR

- 1 PEDAL BOX ASSEMBLY (PDS) includes items 2 - 34
- 27 ACCELERATOR PEDAL ASSEMBLY includes items 28 - 30
- 32 PEDAL HARNESS includes items 33 - 34



# ACCELERATOR

THE USE OF NON U.L. PARTS WILL VOID ANY U.L. LISTING.

When ordering parts, please specify the model and serial number of the product.

\* Indicates a component that is not available as an individual part.

\*\*\* Indicates consult Customer Service Department for additional information.

ITEM	PART NO.	1 2 3 4 5	DESCRIPTION	QTY.
1	73333G11		PEDAL BOX ASSEMBLY (PDS) (INCLUDES ITEMS 2 - 34) .....	1
2	70116G02		ACCELERATOR PEDAL BRACKET .....	1
3	01051G01		PAN HEAD PHILLIPS SCREW, #8 - 10 X 1/2" LG .....	4
4	25853G01		PEDAL BOX AND COVER .....	1
5	00684G6		TRUSS HEAD PHILLIPS SCREW (SS), #8 - 32 X 3/4" LG .....	2
6	25861G01		MICRO SWITCH .....	1
7	01050G01		PAN HEAD TORX SCREW, #4 - 20 X 5/8" LG .....	2
8	28444G01		ACCELERATOR ROD CAM .....	1
9	25854G01		INDUCTIVE THROTTLE SENSOR .....	1
10	00983G01		SELF THREADING NUT, .187" DIA .....	2
11	602484		PLUNGER .....	1
12				
13				
14	17677G1		SPRING RETAINER .....	1
15	17979G1		ACCELERATOR ROD BUSHING .....	1
16	73046G01		COMPRESSION SPRING .....	1
17	17677G2		SPRING RETAINER, 3/8" .....	1
18	73332G01		ACCELERATOR ROD .....	1
19	00532G4		HEX NUT, 5/16" - 24 .....	1
20	10385G4		CLEVIS YOKE (ADJUSTABLE) .....	1
21	10386G3		CLEVIS PIN, 5/16" X 13/16" LG .....	1
22	17838G1		NYLON BUSHING, .37" X .31" LG .....	3
23				
24	10387G3		COTTER PIN, 3/32" X 3/4" LG .....	1
25	74432G01		PEDAL PIVOT PIN .....	1
26	12064G6		PUSH NUT, 5/16" .....	1
27	25799G03		ACCELERATOR PEDAL ASSEMBLY (INCLUDES ITEMS 28 - 30) .....	1
28	652824		ACCELERATOR PEDAL .....	1
29	27512G01		ACCELERATOR PEDAL PAD .....	1
30	16409G1		OVAL RIVET, 3/16" X 7/16" LG .....	6
31				

# ACCELERATOR

THE USE OF NON U.L. PARTS WILL VOID ANY U.L. LISTING.

When ordering parts, please specify the model and serial number of the product.

\* Indicates a component that is not available as an individual part.

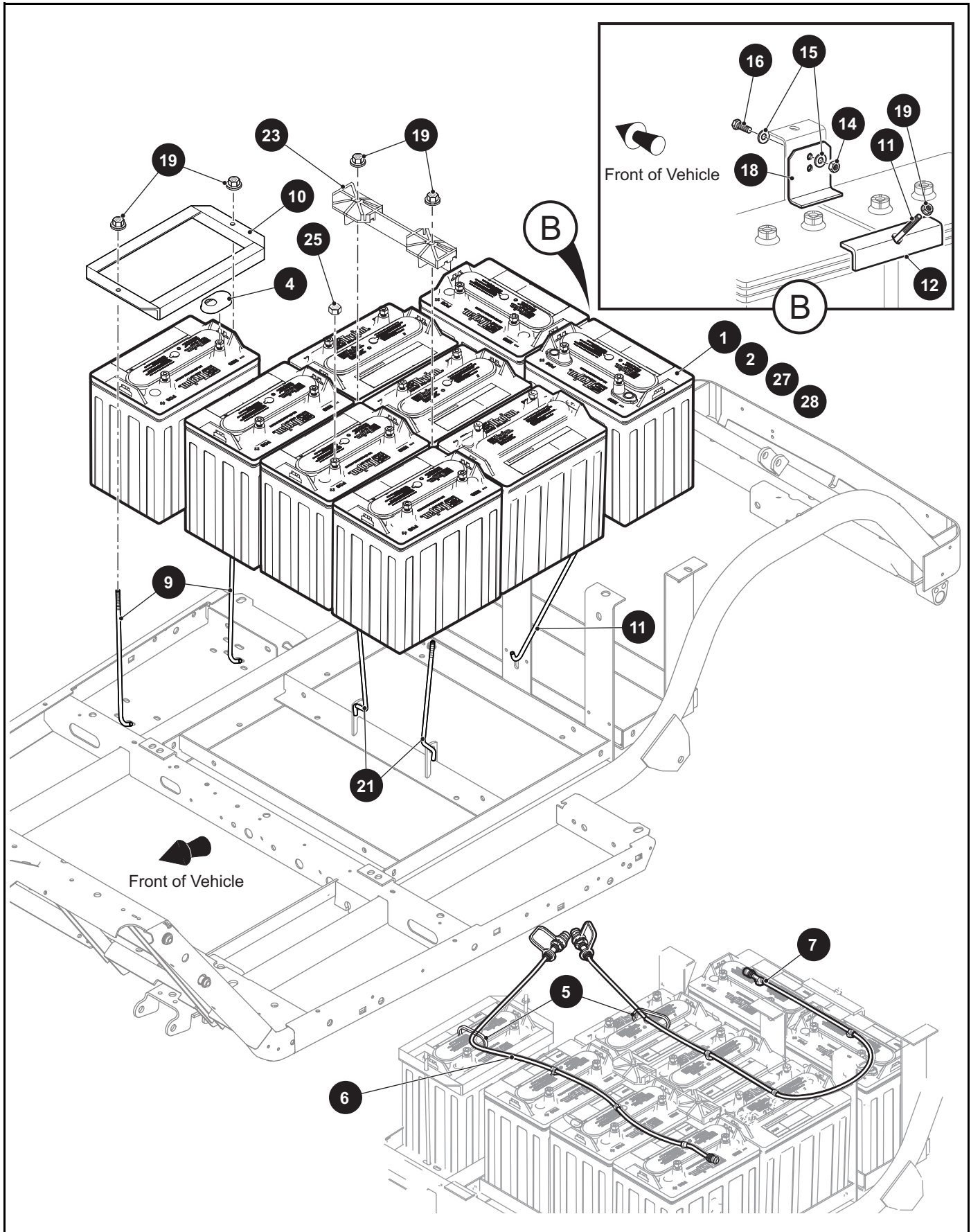
\*\*\* Indicates consult Customer Service Department for additional information.

ITEM	PART NO.	1	2	3	4	5	DESCRIPTION	QTY.
32	25879G08						PEDAL HARNESS (INCLUDES ITEMS 33 - 34) .....	1
33	17313G1						LOOM FLEX (BULK), 3/8" .....	1
34	17618G1						WIRE TIE.....	2
35								
36	00715G2						HEX WASHER HEAD BOLT, 5/16" - 18 X 3/4" LG .....	4
37	70135G01						PEDAL PIVOT COVER .....	1





# BATTERY SYSTEM AND BATTERY CHARGER



# BATTERY SYSTEM AND BATTERY CHARGER

THE USE OF NON U.L. PARTS WILL VOID ANY U.L. LISTING.

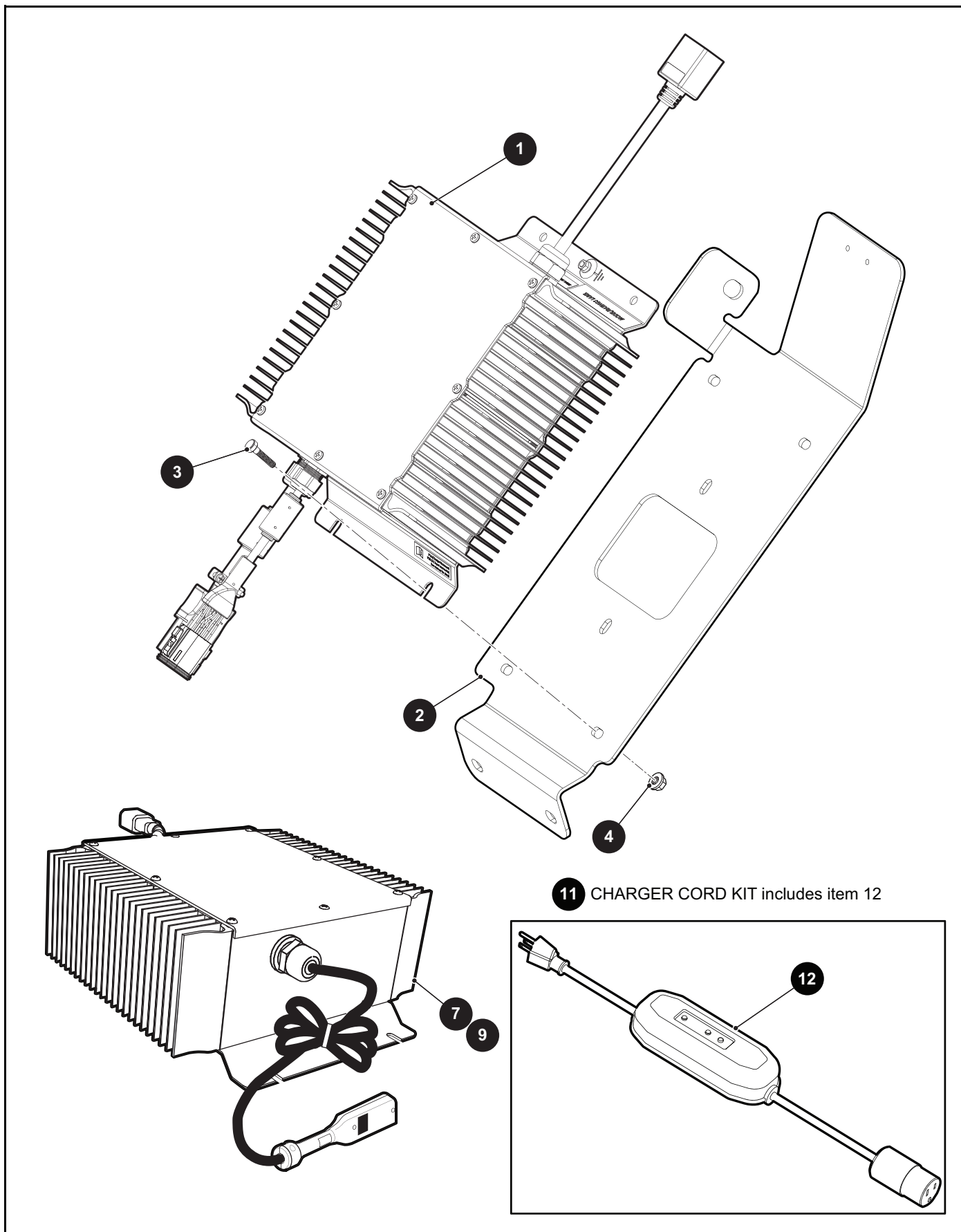
When ordering parts, please specify the model and serial number of the product.

\* Indicates a component that is not available as an individual part.

\*\*\* Indicates consult Customer Service Department for additional information.

ITEM	PART NO.	1 2 3 4 5	DESCRIPTION	QTY.
1	614015		8 VOLT BATTERY - T890.....	9
2	612626		8 VOLT BATTERY - T875.....	9
3				
4	631156		TERMINAL PROTECTOR.....	17
5	615352		POLYPROPYLENE CLAMP .....	2
6	624372		HYDROLINK, SNAKE (SHORT).....	1
7	624371		HYDROLINK, SNAKE (LONG) .....	1
8				
9	70386G01		TIE DOWN BOLT .....	2
10	616229		BATTERY HOLD DOWN WELDMENT .....	1
11	01087G01		BATTERY HOLD DOWN ROD.....	1
12	11841G1		BATTERY HOLD DOWN ANGLE.....	1
13				
14	11098G6		LOCK NUT, 5/16" - 18.....	1
15	00559G8		FLAT WASHER, 5/16".....	2
16	00438G6		HEX HEAD BOLT, 5/16" - 18 X 5/8" LG .....	1
17				
18	73218G02		BATTERY RETAINER ANGLE .....	1
19	11027G1		FLANGED LOCK NUT, 5/16" - 18.....	5
20				
21	01101G01		TIE DOWN BOLT .....	2
22				
23	612867		BATTERY RETAINER.....	1
24				
25	00702G2		HEX NUT, 5/16" - 18 .....	18
26				
27	614381		8 VOLT BATTERY - T890, HYDROLINK.....	9
28	614382		8 VOLT BATTERY - T875, HYDROLINK.....	9

# BATTERY SYSTEM AND BATTERY CHARGER



# BATTERY SYSTEM AND BATTERY CHARGER

THE USE OF NON U.L. PARTS WILL VOID ANY U.L. LISTING.

When ordering parts, please specify the model and serial number of the product.

\* Indicates a component that is not available as an individual part.

\*\*\* Indicates consult Customer Service Department for additional information.

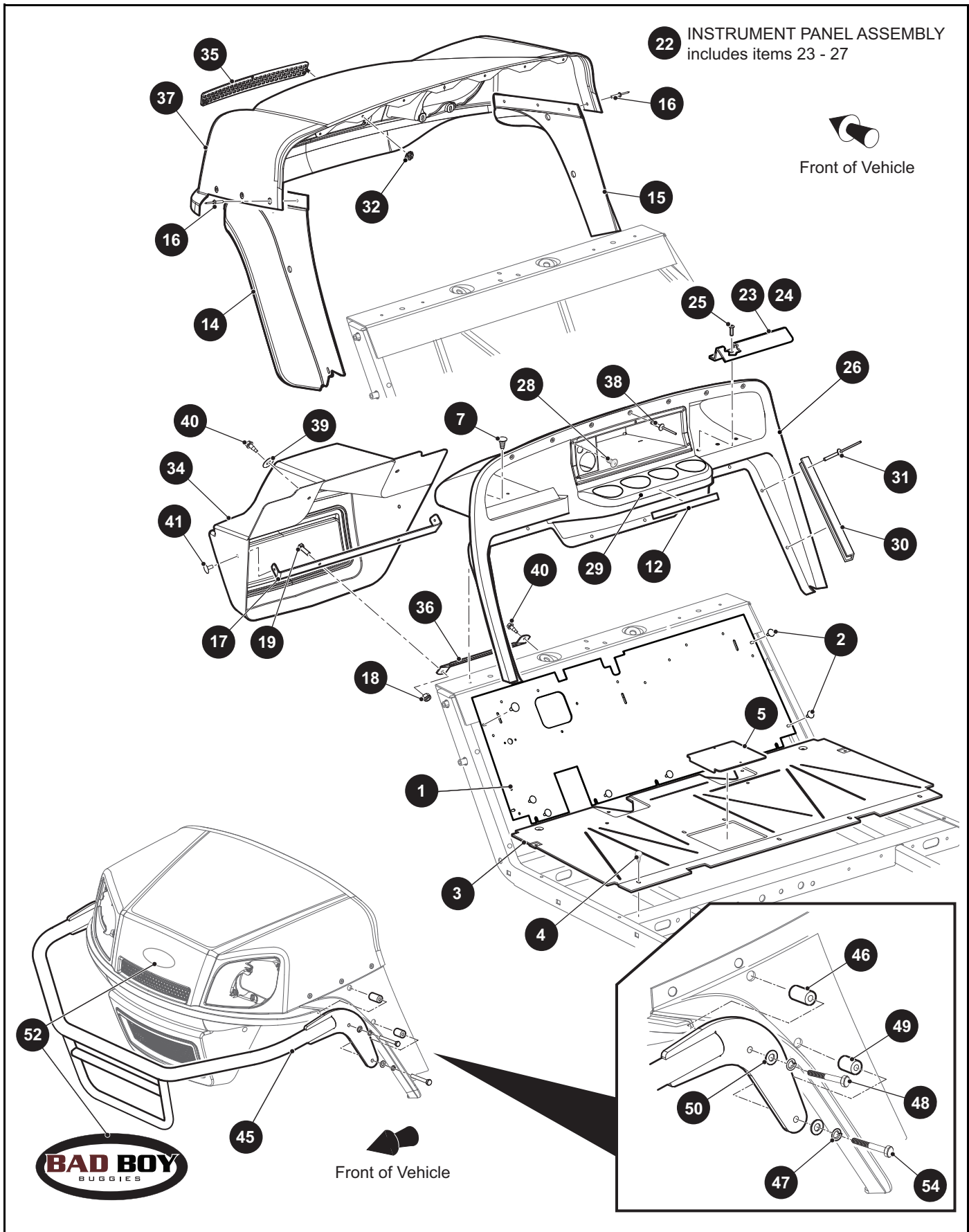
ITEM	PART NO.	1 2 3 4 5	DESCRIPTION	QTY.
1	640261		QUIQ ON-BOARD BATTERY CHARGER, 72 VOLT .....	1
2	633627		BATTERY CHARGER BRACKET .....	1
3	00414G6		HEX HEAD BOLT, 1/2" - 20 X 3/4" LG .....	4
4	11027G2		FLANGED LOCK NUT, 1/2" - 20 .....	4
5				
6				
7	634567		BATTERY CHARGER, 72 VOLT .....	1
8				
9	645743		BATTERY CHARGER, 72 VOLT .....	1
10				
11	652608		CHARGER CORD KIT, 5 METER DC CORD (INCLUDES ITEM 12).....	1
12	652503		ON BOARD CHARGER CORD, 5 METER DC CORD .....	1







# BODY - FRONT





# BODY - FRONT

THE USE OF NON U.L. PARTS WILL VOID ANY U.L. LISTING.

When ordering parts, please specify the model and serial number of the product.

\* Indicates a component that is not available as an individual part.

\*\*\* Indicates consult Customer Service Department for additional information.

ITEM	PART NO.	1 2 3 4 5	DESCRIPTION	QTY.
1	641260		UPPER FLOORPAN .....	1
2	14601G11		RIVET (ALUMINUM), 3/16" X 9/16" LG .....	9
3	70451G01		LOWER FLOORPAN .....	1
4	14601G11		RIVET (ALUMINUM), 3/16" X 9/16" LG .....	7
5	70452G01		ACCESS COVER.....	1
6				
7	16816G2		RATCHET FASTENER, 1/4" X 3/4" LG.....	4
8				
9				
10	625743		SAFETY AND OPERATION DECAL, CE (NOT ILLUSTRATED).....	1
11				
12	634229		OPERATION INSTRUCTION DECAL.....	1
13				
14	614378		FENDER FLARE (DRIVER SIDE) .....	1
15	613274		FENDER FLARE (PASSENGER SIDE).....	1
16	71055G01		RIVET (ALUMINUM), 3/16" X 1" LG .....	6
17	618653		FASCIA BRACKET.....	1
18	14390G4		LOCK NUT, 1/4" - 20 .....	2
19	00414G6		HEX HEAD BOLT, 1/4" - 20 X 3/4" LG .....	2
20				
21				
22	71917G01		INSTRUMENT PANEL ASSEMBLY (INCLUDES ITEM 23 - 27).....	1
23	71153G01		DEFLECTOR (PASSENGER SIDE).....	1
24	71154G01		DEFLECTOR (DRIVER SIDE).....	1
25	00614G5		SELF DRILL SCREW, #8 - 18 X 5/8" LG.....	6
26	628010		INSTRUMENT PANEL WITH COMPARTMENT .....	1
27	71364G02		SPEED NUT "J" TYPE, #8 (NOT ILLUSTRATED) .....	5
28	608290		SELF TAPPING SCREW, #10 - 16 X 3/4" LG .....	5
29	628023		CUP HOLDER.....	1
30	71115G01		VINYL TRIM .....	2
31	71055G01		RIVET (ALUMINUM), 3/16" X 1" LG .....	11

## BODY - FRONT

THE USE OF NON U.L. PARTS WILL VOID ANY U.L. LISTING.

When ordering parts, please specify the model and serial number of the product.

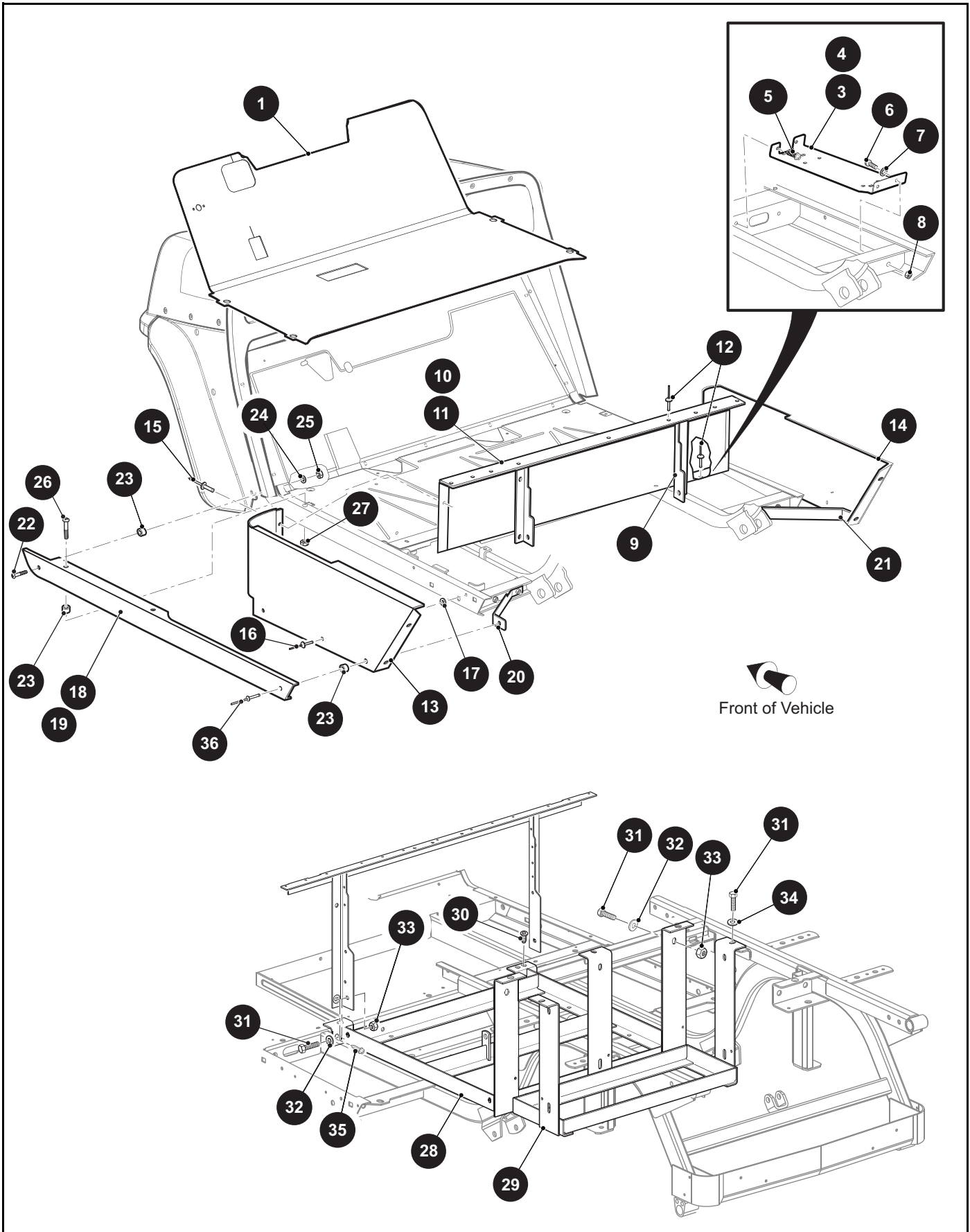
\* Indicates a component that is not available as an individual part.

\*\*\* Indicates consult Customer Service Department for additional information.

ITEM	PART NO.	1 2 3 4 5	DESCRIPTION	QTY.
32	71597G01		SELF THREADING NUT, 5MM X 10MM X 15MM.....	2
33				
34	613273		FRONT FASCIA.....	1
35	617643		COWL GRILL COVER.....	1
36	70725G02		FRONT SHIELD BRACE.....	2
37	613036GXXX		COWL (See COLOR CODE in HOW TO USE Section of Manual).....	1
38	71055G01		RIVET (ALUMINUM), 3/16" X 1" LG.....	7
39	16469G1		FENDER WASHER, 9/32".....	2
40	01038G01		SWAGEFORM SCREW, 1/4" - 20 X .7" LG.....	4
41	15058G1		RIVET (ALUMINUM), .87" LG.....	2
42				
43				
44				
45	617620		BRUSH GUARD.....	1
46	75048G02		SPACER, .328" X 1.31".....	2
47	00565G8		LOCK WASHER, 5/16".....	4
48	00440G2		HEX HEAD BOLT, 5/16" - 18 X 2 3/4" LG.....	2
49	75048G04		SPACER, .328" X .75".....	2
50	00559G8		FLAT WASHER, 5/16".....	4
51				
52	626663		COWL DECAL, BBB.....	1
53				
54	00440G6		HEX HEAD BOLT, 5/16" - 18 X 2 3/4" LG.....	2



# BODY - MID



THE USE OF NON U.L. PARTS WILL VOID ANY U.L. LISTING.  
 When ordering parts, please specify the model and serial number of the product.  
 \* Indicates a component that is not available as an individual part.  
 \*\*\* Indicates consult Customer Service Department for additional information.

ITEM	PART NO.	1 2 3 4 5	DESCRIPTION	QTY.
1	70663G06		FLOOR MAT, DIAMOND PLATE.....	1
2				
3	629688G01		BATTERY TRAY (DRIVER SIDE) .....	1
4	629688G02		BATTERY TRAY (PASSENGER SIDE).....	1
5	00715G2		HEX HEAD BOLT, 5/16" - 18 X 4/5" LG .....	2
6	00439G2		HEX HEAD BOLT, 5/16" - 18 X 1" LG .....	2
7	00559G8		FLAT WASHER, 5/16".....	2
8	11098G6		LOCK NUT (SS), 5/16" - 18 .....	2
9	70441G01		SEAT FRAME .....	1
10	635627GXX		SEAT WRAP CE WITHOUT LOUVERS (See COLOR CODE in HOW TO USE Section) .....	1
11	633720GXX		SEAT WRAP WITH LOUVERS (See COLOR CODE in HOW TO USE Section) .....	1
12	10570G10		RIVET (SS), 5/32" X 9/16" LG.....	8
13	609168G1XX		SIDE PANEL (DRIVER SIDE) (See COLOR CODE in HOW TO USE Section) .....	1
14	609168G2XX		SIDE PANEL (PASSENGER SIDE) (See COLOR CODE in HOW TO USE Section) .....	1
15	10570G10		RIVET (SS), 5/32" X 9/16" LG.....	4
16	10570G12		RIVET (ALUMINUM), 1/4" X 9/16" LG .....	4
17	16469G1		FENDER WASHER, 1/4" .....	4
18	618886		ROCKER PANEL (DRIVER SIDE).....	1
19	618885		ROCKER PANEL (PASSENGER SIDE) .....	1
20	71440G03		BRACE (DRIVER SIDE) .....	1
21	71440G04		BRACE (PASSENGER SIDE).....	1
22	00789G2		PHILLIPS TRUSS HEAD SCREW, #10 - 24 X 1 1/4" LG .....	2
23	23726G4		SPACER, 1/4" .....	4
24	00660G5		FLAT WASHER (SS), #10.....	1
25	14390G10		LOCK NUT, #10 - 24 .....	1
26	634161		PHILLIPS TRUSS HEAD SCREW (SS), 1/4" - 20 X 1" LG.....	2
27	601476		LOCK NUT, 1/4" - 20 .....	2
28	652254G03		FRONT BATTERY RACK.....	1

## BODY - MID

THE USE OF NON U.L. PARTS WILL VOID ANY U.L. LISTING.

When ordering parts, please specify the model and serial number of the product.

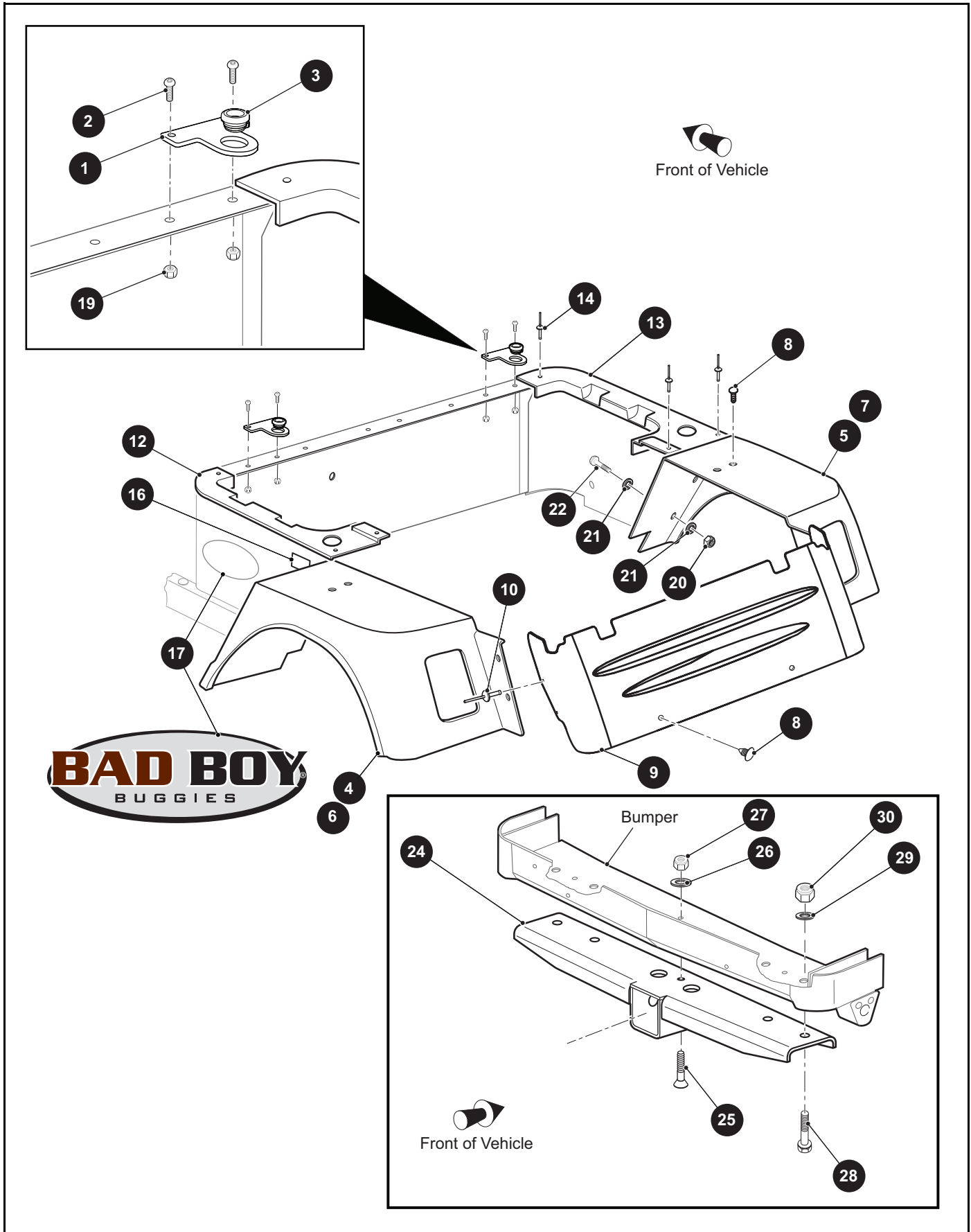
\* Indicates a component that is not available as an individual part.

\*\*\* Indicates consult Customer Service Department for additional information.

ITEM	PART NO.	1	2	3	4	5	DESCRIPTION	QTY.
29	652572G03						REAR BATTERY RACK .....	1
30	70200G01						TRUSS HEAD TORX SCREW, 3/8" - 16 X 3/4" LG .....	2
31	00438G6						HEX HEAD BOLT, 5/16" - 18 X 3/4" LG.....	7
32	00559G8						FLAT WASHER, 5/16" .....	4
33	11098G6						LOCK NUT, 5/16" - 18 .....	4
34	00565G8						LOCK WASHER, 5/16" .....	3
35	00715G2						HEX WASHER HEAD SCREW, 5/16" - 18 X .8" LG .....	2
36	15058G6						RIVET (ALUMINUM), 3/16" X 15/16" LG.....	1



# BODY - REAR





THE USE OF NON U.L. PARTS WILL VOID ANY U.L. LISTING.

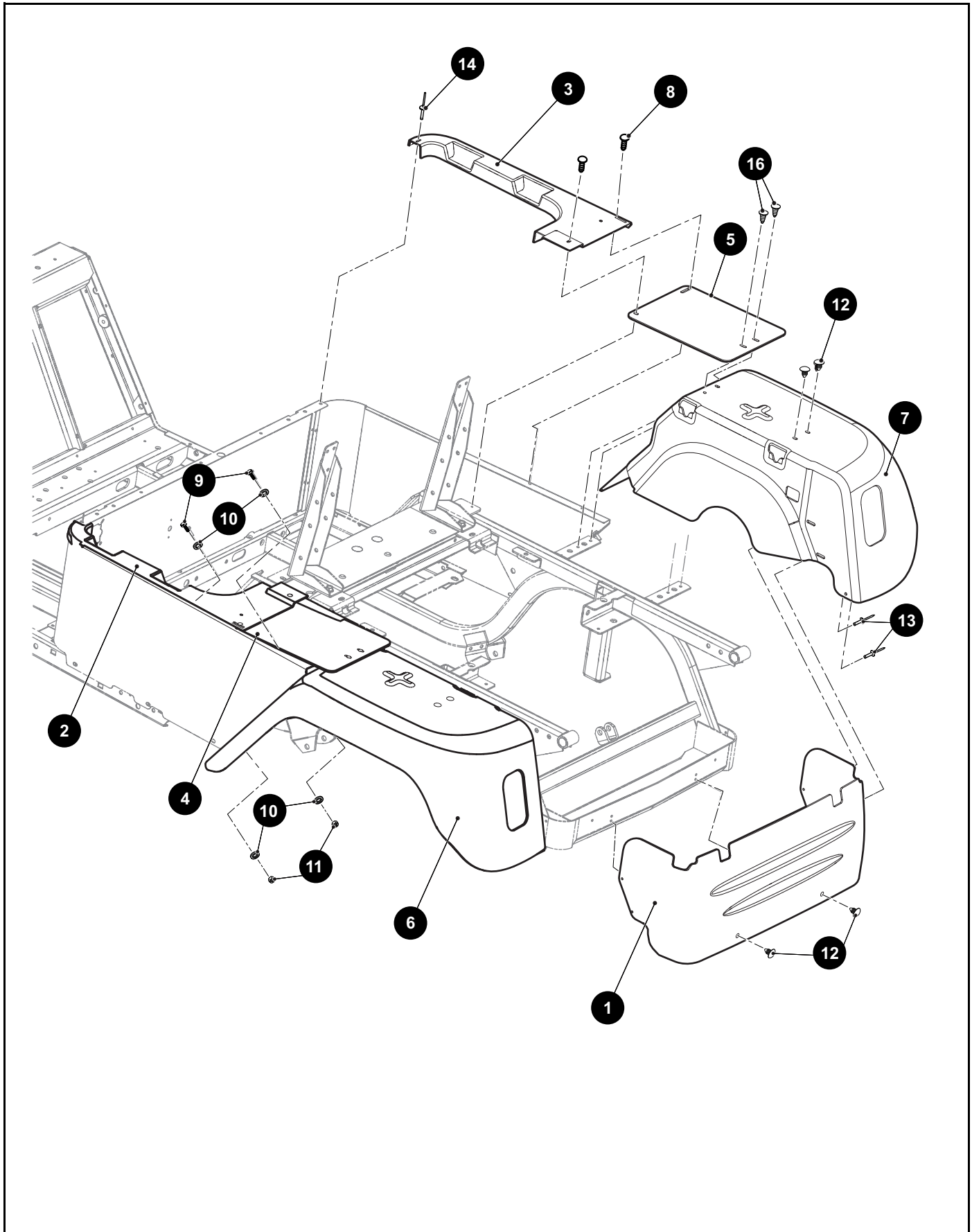
When ordering parts, please specify the model and serial number of the product.

\* Indicates a component that is not available as an individual part.

\*\*\* Indicates consult Customer Service Department for additional information.

ITEM	PART NO.	1 2 3 4 5	DESCRIPTION	QTY.
1	642136		SEAT RETENTION BRACKET .....	2
2	800296		PAN HEAD MACHINE SCREW, #10 - 24 X 3/4" LG.....	4
3	638668		SEAT RETENTION GROMMET.....	2
4	74893G01		REAR FENDER (DRIVER SIDE).....	1
5	74893G02		REAR FENDER (PASSENGER SIDE) .....	1
6	74893G03		REAR FENDER WITH TAILLIGHT OPENING (DRIVER SIDE) .....	1
7	74893G04		REAR FENDER WITH TAILLIGHT OPENING (PASSENGER SIDE).....	1
8	16816G2		RATCHET FASTENER, 1/4" X 3/4" LG.....	10
9	74890G01		REAR PANEL.....	1
10	71055G01		RIVET (ALUMINUM), 3/16" X 1" LG .....	4
11				
12	74891G01		SEAT FILLER PANEL (DRIVER SIDE) .....	1
13	74891G02		SEAT FILLER PANEL (PASSENGER SIDE).....	1
14	10570G10		RIVET (SS), 5/32" X 9/16" LG.....	6
15				
16	74099G01		LABEL (TILT WARNING) .....	2
17	617806		BBB LOGO DECAL.....	2
18				
19	14390G10		LOCK NUT, #10 - 24 .....	4
20	14390G4		LOCK NUT, 1/4" - 20 .....	4
21	00642G7		FLAT WASHER, 1/4".....	8
22	00414G6		HEX HEAD BOLT, 1/4" - 20 X 3/4" LG .....	4
23				
24	74348G02		HITCH RECEIVER.....	1
25	00198G8		FLAT HEAD MACHINE SCREW, 5/16" - 18 X 1" LG.....	1
26	00571G2		FLAT WASHER, 1/4" .....	1
27	11098G6		LOCK NUT (SS), 5/16" - 18 .....	1
28	00463G4		HEX HEAD BOLT, 7/16" - 14 X 1 1/2" LG .....	2
29	00922G3		FLAT WASHER, 7/16".....	2
30	00734G1		LOCK NUT, 7/16" - 14.....	2

# BODY - REAR



# BODY - REAR

THE USE OF NON U.L. PARTS WILL VOID ANY U.L. LISTING.

When ordering parts, please specify the model and serial number of the product.

\* Indicates a component that is not available as an individual part.

\*\*\* Indicates consult Customer Service Department for additional information.

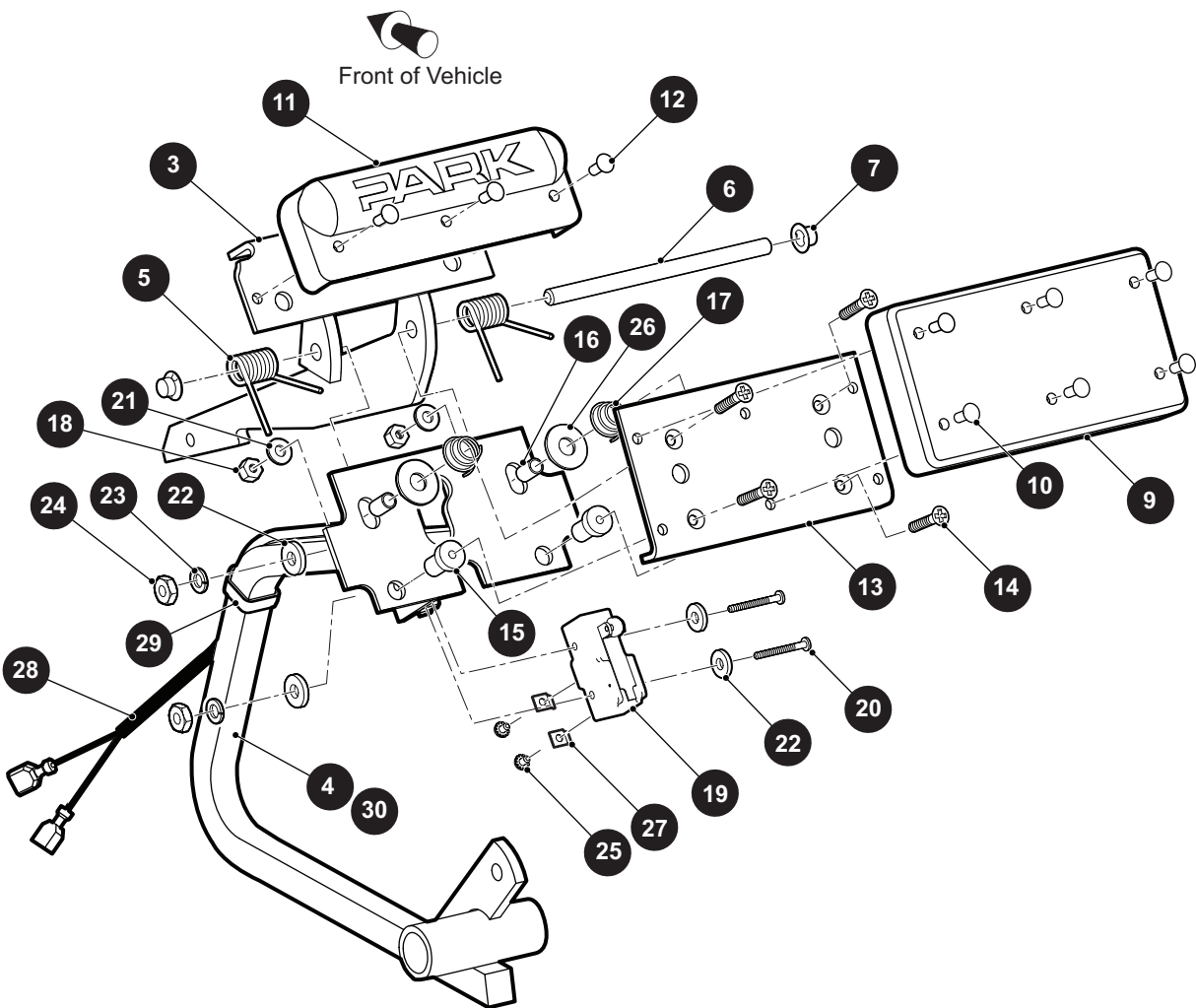
ITEM	PART NO.	1 2 3 4 5	DESCRIPTION	QTY.
1	74890G01		REAR PANEL.....	1
2	74891G01		SEAT FILLER PANEL (DRIVER SIDE).....	1
3	74891G02		SEAT FILLER PANEL (PASSENGER SIDE).....	1
4	645821G01		SEAT FILLER (DRIVER SIDE).....	1
5	645821G02		SEAT FILLER (PASSENGER SIDE).....	1
6	625160		REAR FENDER (DRIVER SIDE).....	1
7	625161		REAR FENDER (PASSENGER SIDE).....	1
8	14601G16		RIVET (ALUMINUM), 3/16" X 9/16" LG.....	4
9	00414G6		HEX HEAD BOLT, 1/4" - 20 X 3/4" LG.....	4
10	00642G7		FLAT WASHER, 1/4".....	8
11	14390G4		LOCK NUT, 1/4" - 20.....	4
12	16816G2		RATCHET FASTENER, 1/4" X 3/4" LG.....	6
13	71055G01		RIVET, 3/16".....	4
14	10570G10		RIVET (SS), 5/32" X 9/16" LG.....	2
15				
16	16816G5		RATCHET RIVET, .187 X .550.....	4





# BRAKES

- 1 BRAKE PEDAL ASSEMBLY (WITHOUT BRAKE LIGHTS) includes items 3 - 11
- 2 BRAKE PEDAL ASSEMBLY (WITH BRAKE LIGHTS) includes items 3, 5 - 30



# BRAKES

THE USE OF NON U.L. PARTS WILL VOID ANY U.L. LISTING.

When ordering parts, please specify the model and serial number of the product.

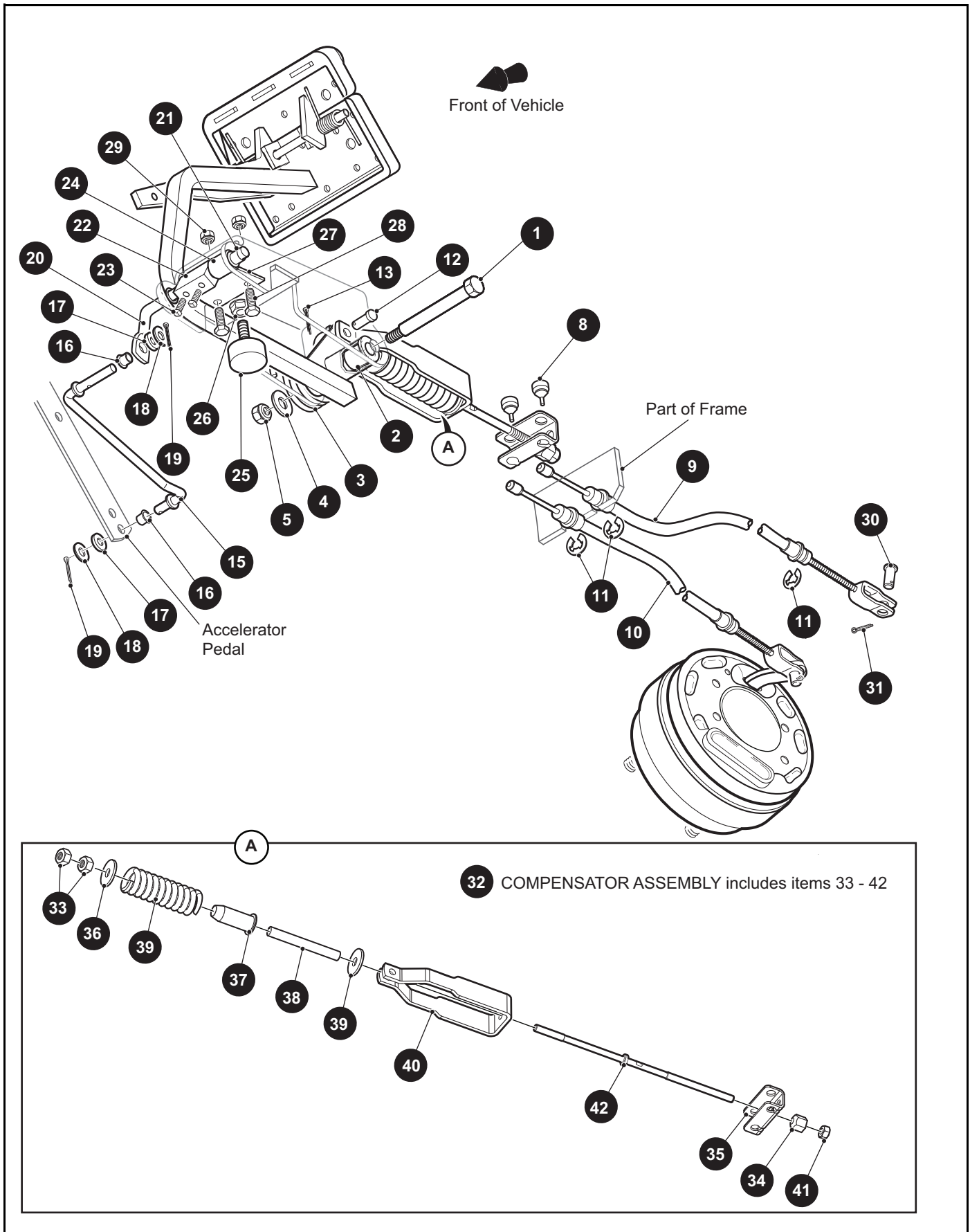
\* Indicates a component that is not available as an individual part.

\*\*\* Indicates consult Customer Service Department for additional information.

ITEM	PART NO.	1 2 3 4 5	DESCRIPTION	QTY.
1	70612G02		BRAKE PEDAL ASSEMBLY (WITHOUT LIGHTS) (INCLUDES ITEMS 3 - 11)	1
2	70690G02		BRAKE PEDAL ASSEMBLY (WITH LIGHTS) (INCLUDES ITEMS 3, 5 - 30)..	1
3	641748		PARK BRAKE PEDAL .....	1
4	70259G02		BRAKE PEDAL (WITHOUT LIGHTS).....	1
5	70681G01		TORSION SPRING.....	2
6	70682G01		PIVOT PIN.....	1
7	01071G01		PUSH NUT, 5/16" - 24 .....	2
8				
9	70257G01		BRAKE PAD .....	1
10	16409G1		OVAL RIVET, .375" X .468" LG .....	6
11	70256G01		PARK BRAKE PEDAL PAD .....	1
12	16409G1		OVAL RIVET, .375" X .468" LG .....	3
13	70258G03		BRAKE PEDAL PLATE.....	1
14	00737G8		FLAT HEAD PHILLIPS SCREW, #10 - 24 X .875" LG.....	4
15	00739G1		RUBBER WELL NUT, #10 - 24.....	2
16	652355		BRAKE PEDAL SPACER .....	2
17	27137G01		CONICAL SPRING .....	2
18	14390G10		LOCK NUT, #10 - 24.....	2
19	10606G8		MICRO SWITCH .....	1
20	00645G2		PAN HEAD PHILLIPS SCREW, #6 - 32 X 1.25" LG.....	1
21	00559G5		FLAT WASHER, #10 .....	2
22	00559G3		FLAT WASHER, #6 .....	2
23	00565G3		LOCK WASHER, #6 .....	1
24	00525G5		LOCK NUT, #6 - 32.....	1
25	*		PAN HEAD PHILLIPS SCREW WITH INTERNAL TOOTH LOCK WASHER, #6 - 32 X .22" LG .....	1
26	00642G8		FLAT WASHER, 5/16" .....	2
27	14628G1		FASTON TAB.....	1
28	24605G1		WIRE HARNESS (BRAKE LIGHT).....	1
29	17618G1		WIRE TIE.....	2
30	70686G02		BRAKE PEDAL (WITH LIGHTS) .....	1



# BRAKES





# BRAKES

THE USE OF NON U.L. PARTS WILL VOID ANY U.L. LISTING.

When ordering parts, please specify the model and serial number of the product.

\* Indicates a component that is not available as an individual part.

\*\*\* Indicates consult Customer Service Department for additional information.

ITEM	PART NO.	1 2 3 4 5	DESCRIPTION	QTY.
1	70582G01		SHOULDER BOLT (SS), 3/8" - 16 X 3.406" LG .....	1
2	70581G01		FLANGED BUSHING, .1062" O.D. X .795" I.D. ....	2
3	70676G01		TORSION SPRING .....	1
4	00643G1		LOCK WASHER, 3/8" .....	1
5	11098G5		LOCK NUT, 3/8" - 16 .....	1
6	01038G01		HEX WASHER HEAD SCREW, 1/4" - 20 X .7" LG (NOT ILLUSTRATED).....	1
7	12416G2		NYLON WEDGE LOCK CLAMP (NOT ILLUSTRATED) .....	3
8	28083G01		BRAKE COMPENSATOR BUMPER .....	2
9	624700		BRAKE CABLE (DRIVER SIDE) .....	1
10	624698		BRAKE CABLE (PASSENGER SIDE) .....	1
11	01111G01		RETAINING RING (SS), DIA .8" .....	4
12	10386G3		CLEVIS PIN, .438" X .938" LG .....	1
13	10387G3		COTTER PIN, .094" X .75" LG .....	1
14				
15	70601G01		KICK-OFF LINK .....	1
16	17838G1		NYLON BUSHING, .37" O.D. X .31" I.D. ....	2
17	20835G1		TEFLON WASHER, 3/8" .....	2
18	00559G8		FLAT WASHER, 5/16" .....	2
19	10387G3		COTTER PIN, .094" X .75" LG .....	2
20	70098G01		KICK-OFF CAM PIVOT .....	1
21	10097G6		FLANGED BEARING .....	2
22	70587G01		KICK-OFF CAM .....	1
23	71215G01		SET SCREW WITH PATCH LOCK, 1/4" - 20 X .5" LG .....	2
24	14134G4		SPACER, .76" O.D. X .395" I.D. X 1.25" LG .....	1
25	70113G01		ADJUSTABLE BUMPER .....	1
26	11027G1		LOCK NUT, 5/16 - 18" .....	1
27	70080G02		CATCH BRACKET .....	1
28	00414G6		HEX HEAD CAP SCREW, 1/4" - 20 X .25" LG .....	2
29	14390G4		LOCK NUT (SS), 1/4" - 20 .....	2
30	10386G3		CLEVIS PIN, .438" X .938" LG .....	1
31	10387G3		COTTER PIN, .094" X .75" LG .....	1

# BRAKES

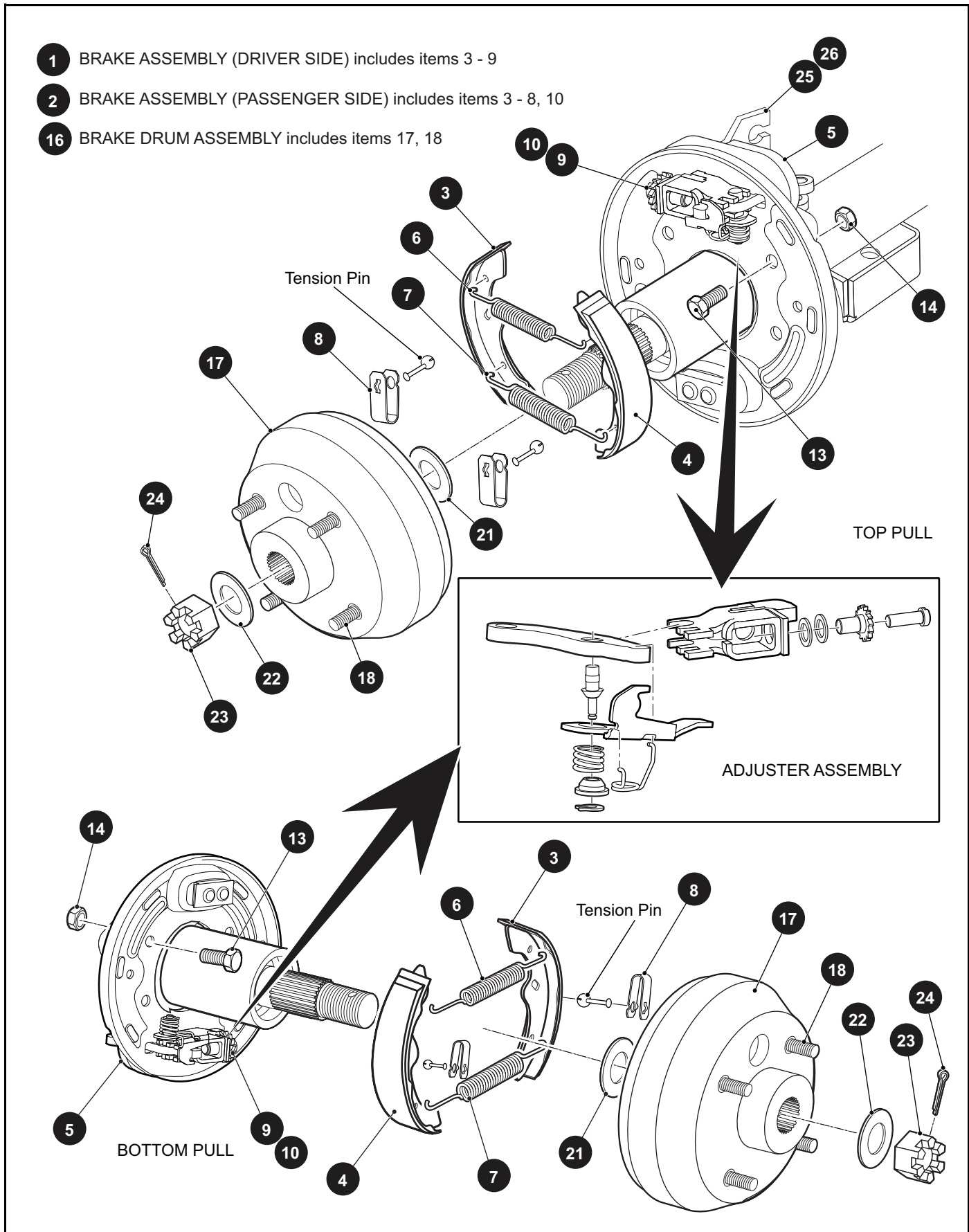
THE USE OF NON U.L. PARTS WILL VOID ANY U.L. LISTING.  
 When ordering parts, please specify the model and serial number of the product.  
 \* Indicates a component that is not available as an individual part.  
 \*\*\* Indicates consult Customer Service Department for additional information.

ITEM	PART NO.	1 2 3 4 5	DESCRIPTION	QTY.
32	612558		COMPENSATOR ASSEMBLY (INCLUDES ITEMS 33 - 42) .....	1
33	00532G4		HEX NUT, 1/4" - 20 .....	2
34	629486		SPHERICAL HEX NUT, 5/16" - 24 .....	1
35	28082G01		EQUALIZER BRACKET .....	1
36	15121G1		FLAT WASHER, 5/16" .....	2
37	17979G1		ACCELERATOR ROD BUSHING, .464" I.D. X 1" O.D. X 2" LG.....	1
38	23061G2		TUBE.....	1
39	23463G1		COMPRESSION SPRING .....	1
40	27330G01		BRAKE YOKE .....	1
41	11098G9		HEX LOCK NUT, 5/16" - 24 .....	1
42	612557		COMPENSATOR LINK ROD .....	1



# BRAKES

- 1 BRAKE ASSEMBLY (DRIVER SIDE) includes items 3 - 9
- 2 BRAKE ASSEMBLY (PASSENGER SIDE) includes items 3 - 8, 10
- 16 BRAKE DRUM ASSEMBLY includes items 17, 18



# BRAKES

THE USE OF NON U.L. PARTS WILL VOID ANY U.L. LISTING.

When ordering parts, please specify the model and serial number of the product.

\* Indicates a component that is not available as an individual part.

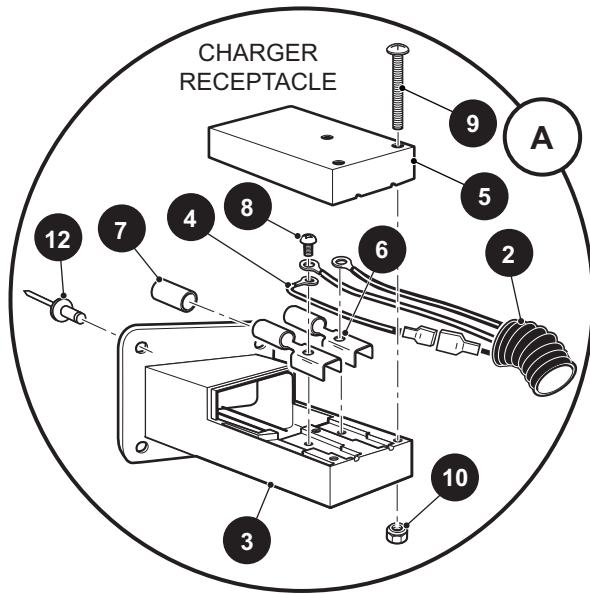
\*\*\* Indicates consult Customer Service Department for additional information.

ITEM	PART NO.	1 2 3 4 5	DESCRIPTION	QTY.
1	612211		BRAKE ASSEMBLY (DRIVER SIDE) (INCLUDES ITEMS 3 - 9).....	1
2	612189		BRAKE ASSEMBLY (PASSENGER SIDE) (INCLUDES ITEMS 3 - 8, 10) .....	1
3	612411		BRAKE SHOE, LEADING .....	1
4	612412		BRAKE SHOE, TRAILING.....	1
5	612413		DUST COVER .....	1
6	612415		BRAKE SPRING, TOP .....	1
7	612414		BRAKE SPRING, BOTTOM .....	1
8	612416		SHOE CLAMP .....	2
9	612418		GEAR ADJUSTER (DRIVER SIDE) .....	1
10	612417		GEAR ADJUSTER (PASSENGER SIDE).....	1
11				
12				
13	17083G2		HEX HEAD BOLT, 5/16" - 24 X 1" LG .....	8
14	15126G1		LOCK NUT, 5/16" - 24.....	8
15				
16	21807G2		BRAKE DRUM ASSEMBLY (INCLUDES ITEMS 17, 18).....	2
17	20947G1		BRAKE DRUM.....	1
18	19862G2		LUG BOLT, 1/2" - 20 X 1 3/16" LG.....	4
19				
20				
21	21809G1		FLAT WASHER, INNER WHEEL RIM, 1.31" O.D. X .85" I.D.....	2
22	21830G1		FLAT WASHER - BRAKE DRUM, 1.5" O.D. X .76" I.D.....	2
23	613172		SLOTTED HEX NUT, 3/4" - 16.....	2
24	10387G2		COTTER PIN, 5/32" X 1 3/4" LG.....	2
25	608200		BRAKE CABLE BRACKET (PASSENGER SIDE) .....	1
26	608201		BRAKE CABLE BRACKET (DRIVER SIDE).....	1

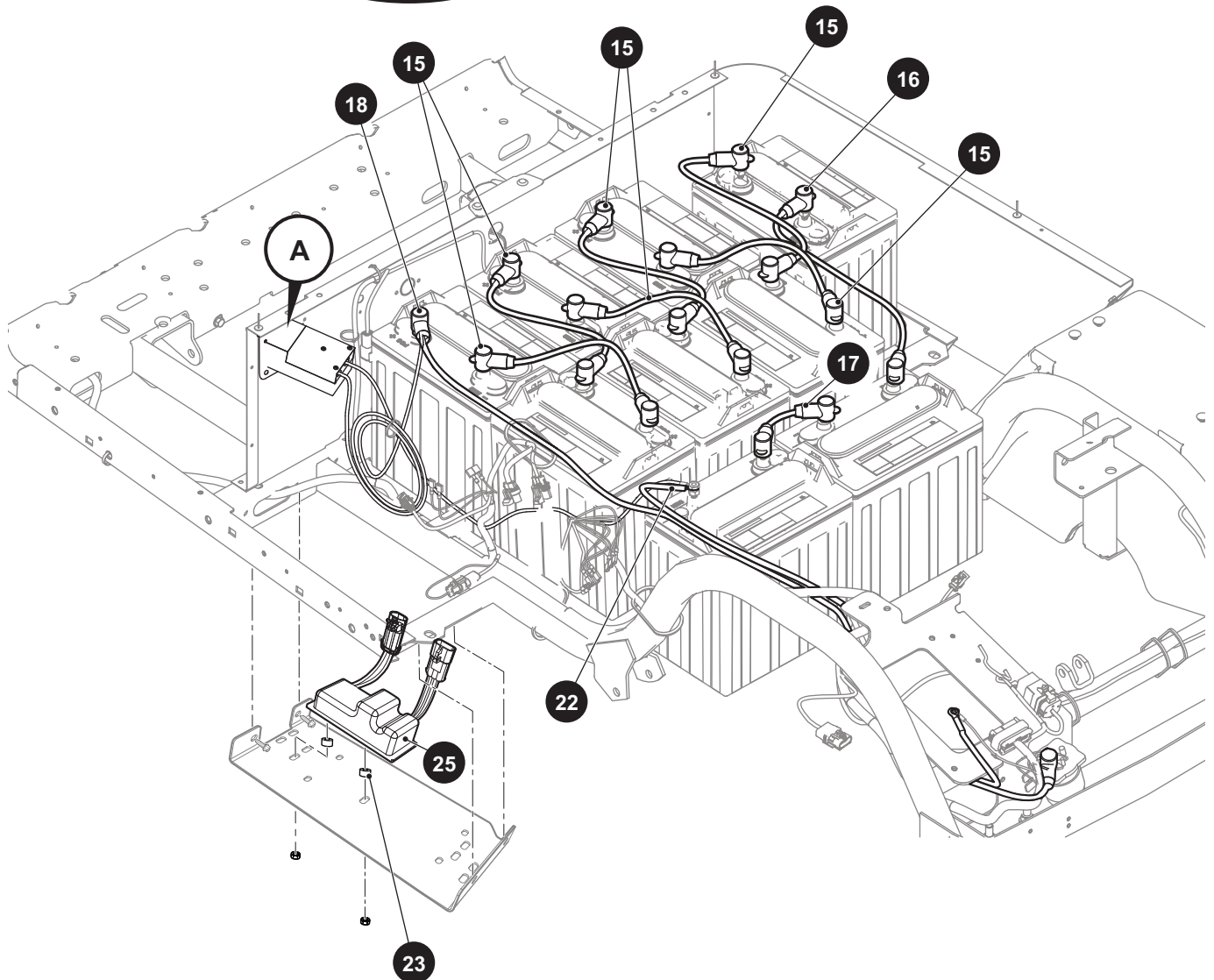








**1** CHARGER RECEPTACLE ASSEMBLY  
includes items 2 - 10

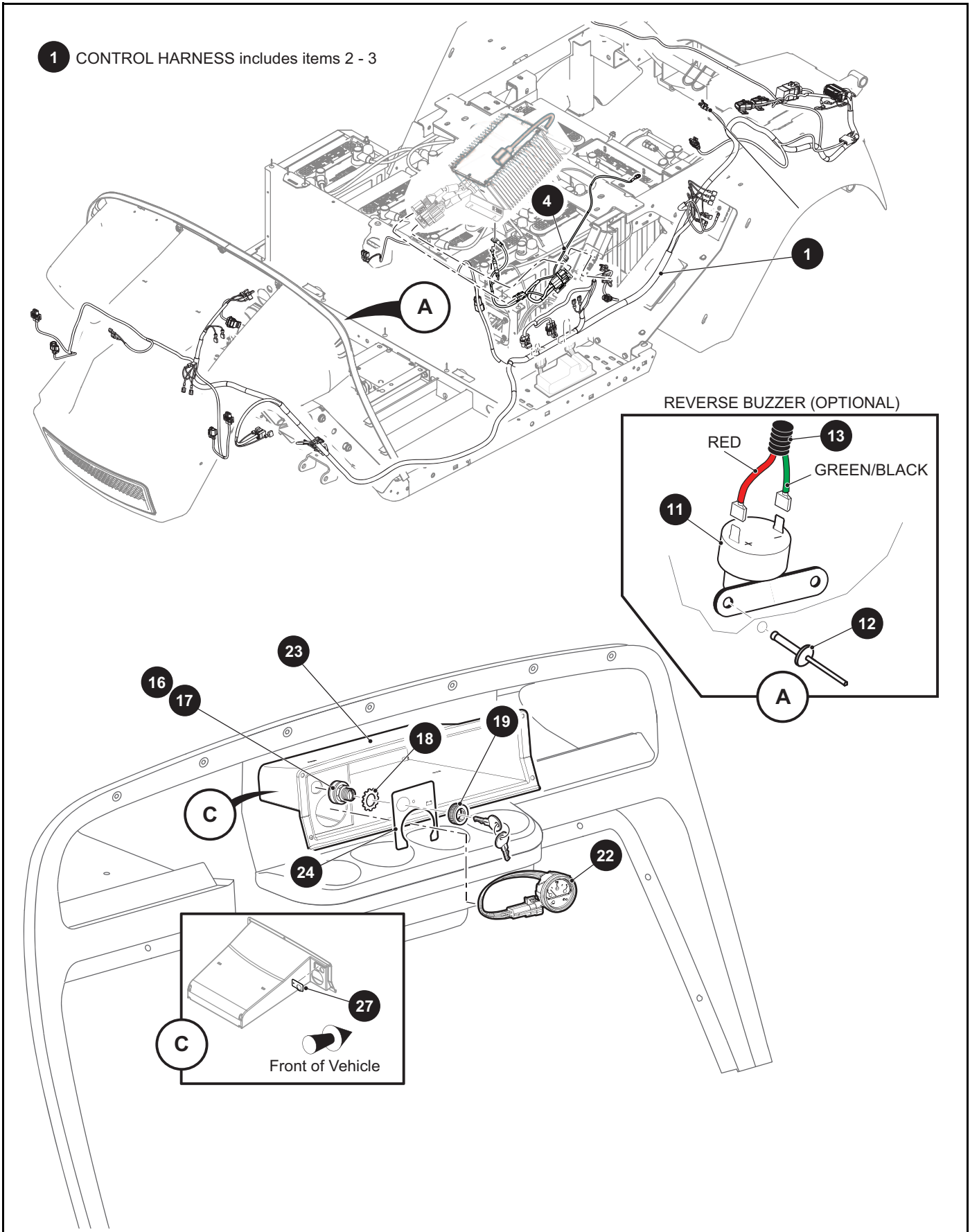




THE USE OF NON U.L. PARTS WILL VOID ANY U.L. LISTING.  
 When ordering parts, please specify the model and serial number of the product.  
 \* Indicates a component that is not available as an individual part.  
 \*\*\* Indicates consult Customer Service Department for additional information.

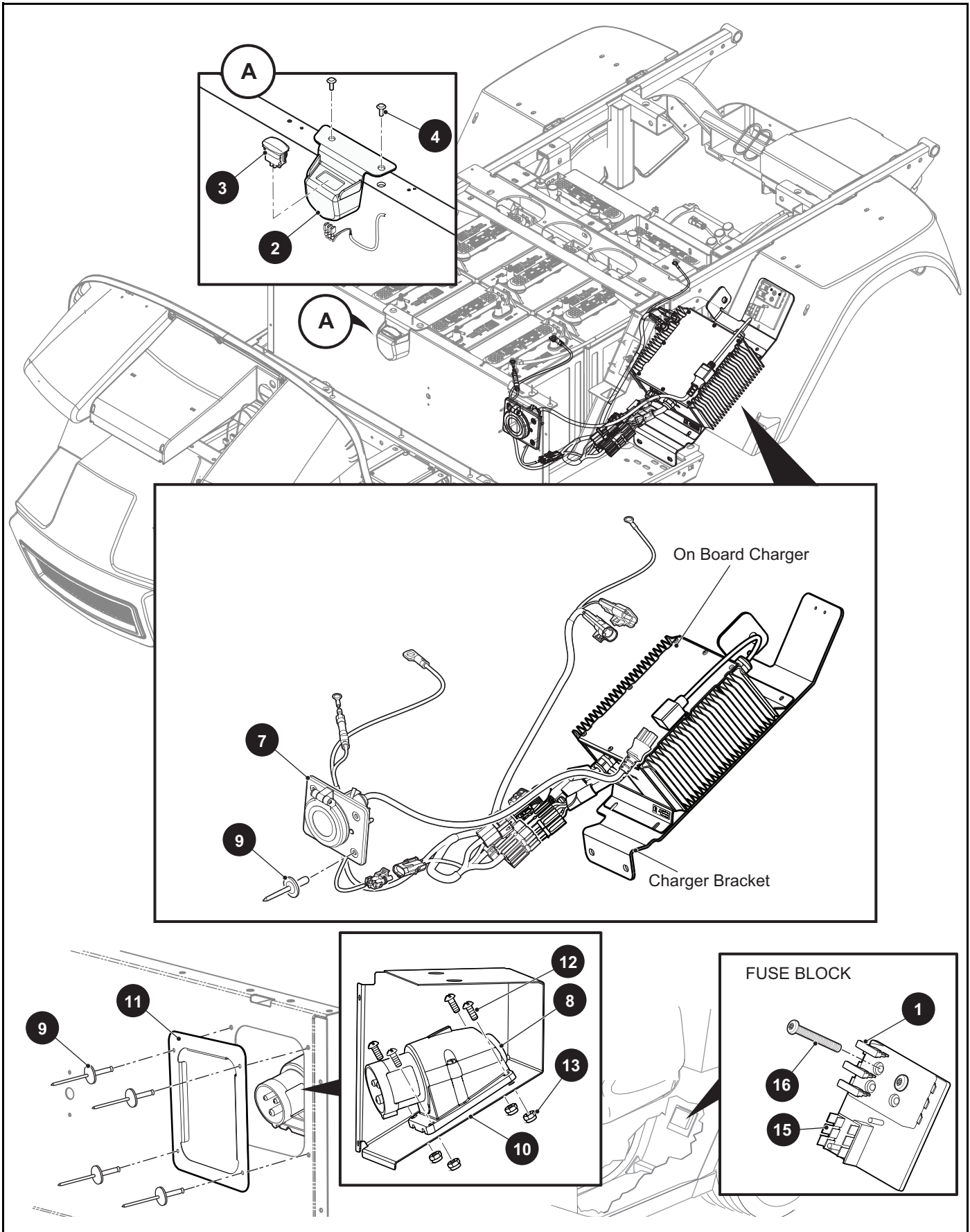
ITEM	PART NO.	1 2 3 4 5	DESCRIPTION	QTY.
1	73063G01		CHARGER RECEPTACLE ASSEMBLY (INCLUDES ITEMS 2 - 10) .....	1
2	602594		CHARGER WIRE HARNESS WITH FUSE .....	1
3	73051G29		CHARGING RECEPTACLE.....	1
4	25978G25		18 GA WIRE (RED) .....	1
5	*		RECEPTACLE COVER .....	1
6	*		FEMALE CONNECTOR .....	2
7	*		INSULATOR SLEEVE .....	1
8	*		BRASS SCREW, #10 - 32 X 1/2" LG.....	2
9	*		PAN HEAD SCREW (SS), #6 - 32 X 1 3/4" LG .....	3
10	*		LOCK NUT, #6 - 32.....	3
11				
12	14601G10		RIVET (ALUMINUM), 5/32".....	4
13				
14				
15	634270G03		4 AWG BATTERY WIRE, 15" LG .....	6
16	634270G04		4 AWG BATTERY WIRE, 22" LG .....	1
17	634270G01		4 AWG BATTERY WIRE, 6" LG .....	1
18	634210G08		4 AWG BATTERY WIRE, 60" LG .....	1
19				
20	27619G01		BATTERY TERMINAL SPRAY (NOT ILLUSTRATED).....	AR
21				
22	634210G09		4 AWG BATTERY WIRE, 38" LG .....	1
23	23726G11		SPACER, .30" LG .....	2
24				
25	633778		DC-DC CONVERTOR (72V).....	1

1 CONTROL HARNESS includes items 2 - 3



THE USE OF NON U.L. PARTS WILL VOID ANY U.L. LISTING.  
 When ordering parts, please specify the model and serial number of the product.  
 \* Indicates a component that is not available as an individual part.  
 \*\*\* Indicates consult Customer Service Department for additional information.

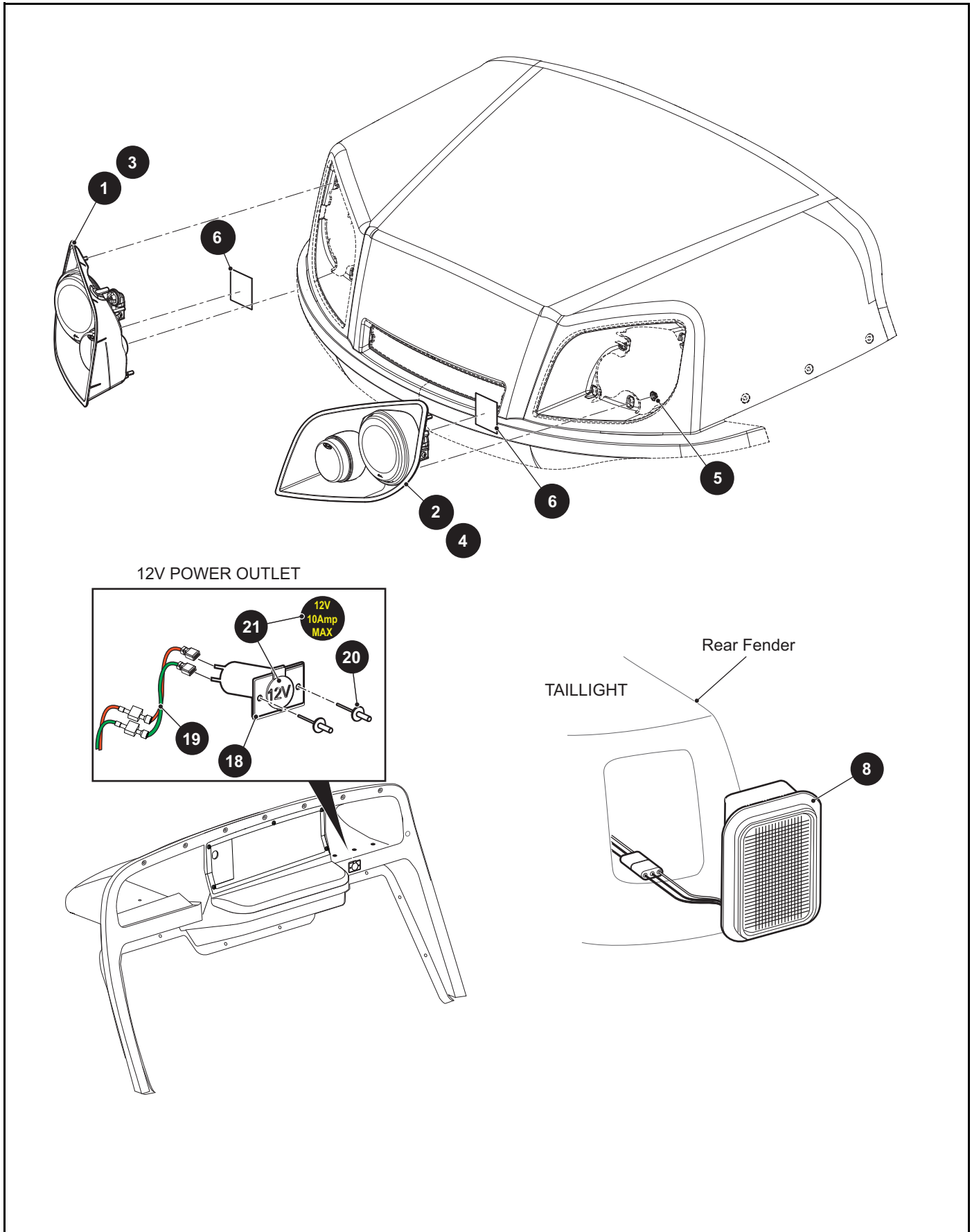
ITEM	PART NO.	1 2 3 4 5	DESCRIPTION	QTY.
1	640265		CONTROL HARNESS (INCLUDES ITEMS 2 - 3) .....	1
2	614870		RELAY, 48V (NOT ILLUSTRATED) .....	1
3	634056G05		FUSE, 80V 10 AMP (NOT ILLUSTRATED).....	2
4	640264		HARNESS (ON-BOARD CHARGER) .....	1
5				
6	17618G1		NYLON CLAMP (NOT ILLUSTRATED) .....	AR
7				
8				
9				
10				
11	613271		REVERSE BUZZER (OPTIONAL).....	1
12	01041G01		RIVET, 5/32" .....	2
13	634272		REVERSE BUZZER JUMPER.....	1
14				
15				
16	33639G01		KEY SWITCH (WITH LIGHTS) .....	1
17	33639G03		KEY SWITCH (WITH LIGHTS - INDIVIDUALLY KEYED) .....	1
18	00568G6		LOCK WASHER, 3/4" .....	1
19	17137G1		FACE NUT, 3/4" - 20 .....	1
20				
21				
22	631656		STATE OF CHARGE METER .....	1
23	633783		CENTER COMPARTMENT .....	1
24	634221		STATE OF CHARGE DECAL (ON - OFF) .....	1
25				
26				
27	637081G01		PLATE, KEY SWITCH.....	1



THE USE OF NON U.L. PARTS WILL VOID ANY U.L. LISTING.  
 When ordering parts, please specify the model and serial number of the product.  
 \* Indicates a component that is not available as an individual part.  
 \*\*\* Indicates consult Customer Service Department for additional information.

ITEM	PART NO.	1 2 3 4 5	DESCRIPTION	QTY.
1	35212G01		FUSE, 15A .....	3
2	628027		DIRECTION SELECTOR SWITCH HOUSING .....	1
3	624514G03		ROCKER SWITCH (DIRECTION SELECTOR) .....	1
4	18436G1		RIVET (PLASTIC) .....	2
5				
6				
7	610536		RECEPTACLE (ON-BOARD CHARGER).....	1
8	638478		RECEPTACLE (AC - INTERNATIONAL) .....	1
9	14601G10		RIVET (ALUMINUM), 5/32" .....	4
10	639167		RECEPTACLE BRACKET .....	1
11	639412		RECEPTACLE COVER PLATE - CE (ON BOARD CHARGER).....	1
12	00379G4		PAN HEAD PHILLIPS SCREW, #10 - 24 X 1/2" LG .....	4
13	14390G10		LOCK NUT, #10 - 24 .....	4
14				
15	630034		FUSE PANEL .....	1
16	635806		PAN HEAD TAPPING SCREW, #10 - 16 X 1" LG.....	2

# ELECTRICAL





THE USE OF NON U.L. PARTS WILL VOID ANY U.L. LISTING.  
 When ordering parts, please specify the model and serial number of the product.  
 \* Indicates a component that is not available as an individual part.  
 \*\*\* Indicates consult Customer Service Department for additional information.

ITEM	PART NO.	1 2 3 4 5	DESCRIPTION	QTY.
1	644876		HEADLIGHT (PASSENGER SIDE).....	1
2	644877		HEADLIGHT (DRIVER SIDE) .....	1
3	644878		LED HEADLIGHT (PASSENGER SIDE).....	1
4	644879		LED HEADLIGHT (DRIVER SIDE) .....	1
5	71597G01		SELF THREADING NUT, 5 X 10 X 15MM .....	8
6	71781G02		VINYL TAPE.....	2
7				
8	32739G3		TAILLIGHT .....	2
9				
10				
11				
12				
13				
14				
15				
16				
17				
18	71078G01		POWER OUTLET (12V).....	1
19	634277		JUMPER (12V OUTLET) .....	1
20	71055G01		RIVET, 3/16" .....	2
21	71078G01		12V OUTLET DECAL.....	1

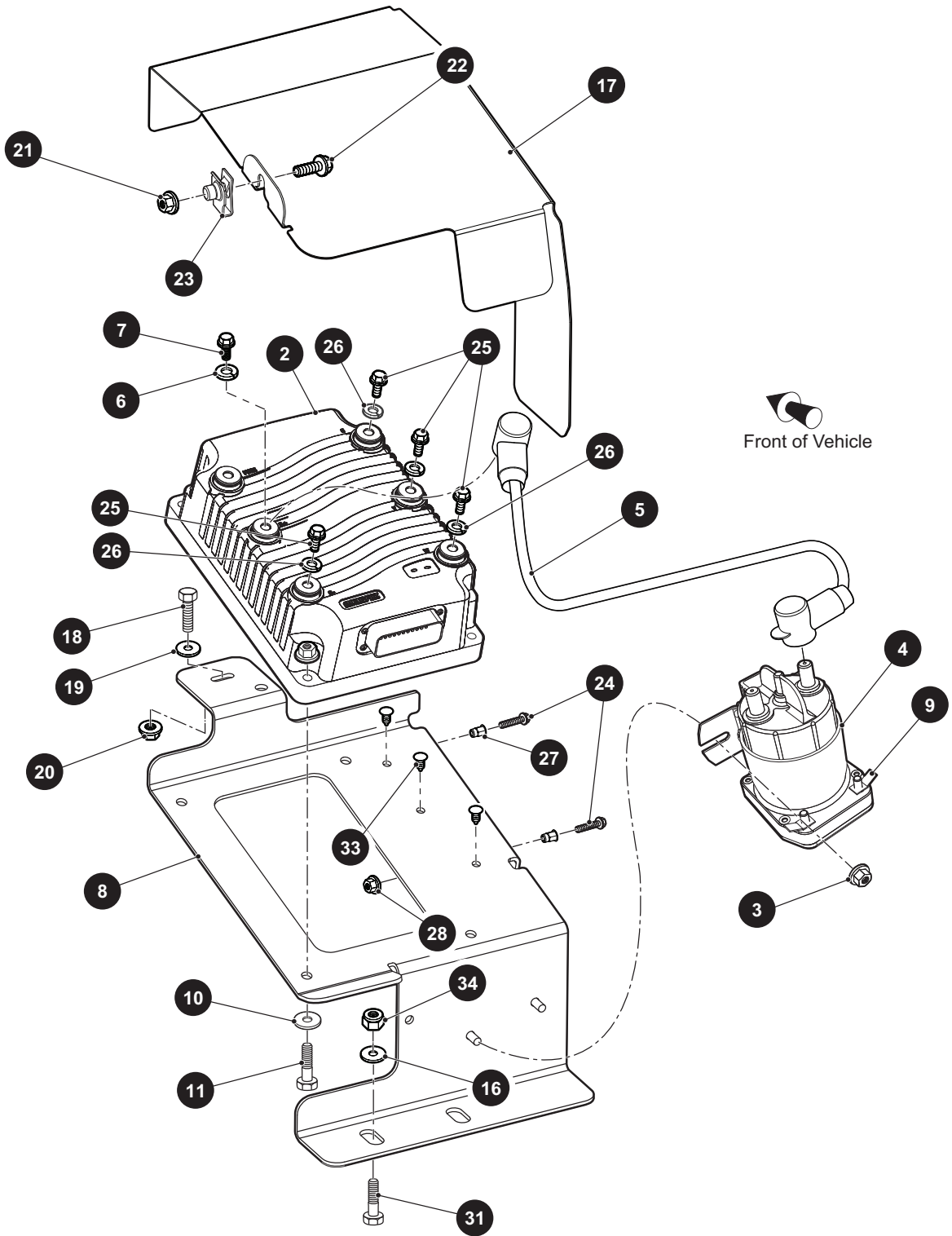






# ELECTRONIC SPEED CONTROL

1 ELECTRONIC SPEED CONTROL ASSEMBLY includes items 2 - 13



# ELECTRONIC SPEED CONTROL

THE USE OF NON U.L. PARTS WILL VOID ANY U.L. LISTING.

When ordering parts, please specify the model and serial number of the product.

\* Indicates a component that is not available as an individual part.

\*\*\* Indicates consult Customer Service Department for additional information.

ITEM	PART NO.	1 2 3 4 5	DESCRIPTION	QTY.
1	637724		ELECTRONIC SPEED CONTROL ASSEMBLY (INCLUDES ITEMS 2 - 13).	1
2	637729		CONTROLLER, 350A.....	1
3	11027G2		FLANGED LOCK NUT, 1/4" - 20 .....	6
4	621330		SOLENOID .....	1
5	634270G05		4 AWG BATTERY WIRE, 18" .....	1
6	606272		LOCK WASHER, 8MM .....	1
7	606262		FLANGED HEX HEAD BOLT, M8 - 1.25 X 16MM LG .....	1
8	635406		CONTROLLER BRACKET .....	1
9	12914G1		FASTON TAB.....	2
10	00642G7		FLAT WASHER, 5/16" .....	4
11	00797G2		HEX HEAD CAP BOLT, 1/4" - 20 X 1 1/4" LG .....	4
12	22281G3		TRIM (BLACK), 1.5" (NOT ILLUSTRATED) .....	1
13	32372G8		TRIM (VINYL), 4" (NOT ILLUSTRATED).....	1
14				
15				
16	00922G3		FLAT WASHER, 7/16".....	2
17	635407		CONTROLLER COVER.....	1
18	00414G7		HEX HEAD CAP SCREW, 1/4" - 20 X 1/2" LG .....	1
19	00559G7		FLAT WASHER, 1/4".....	1
20	11027G2		FLANGED LOCK NUT, 1/4" - 20.....	1
21	600525		LOCK NUT, M10 - 1.5 .....	1
22	627579		FLANGED HEX HEAD BOLT, M10 - 1.5 X 35MM LG.....	1
23	635363		U-NUT (BARREL), M10 X 1.5.....	1
24	606421		FLANGED HEX HEAD BOLT, M6 - 1 X 30MM LG.....	2
25	606262		FLANGED HEX HEAD BOLT, M8 - 1.25 X 16MM LG.....	4
26	606272		LOCK WASHER, 8MM.....	4
27	635402		HEX INSERT NUT, M6 X 1 .....	2
28	601476		LOCK NUT, M6 - 1 .....	2
29				
30				
31	00463G4		HEX HEAD BOLT, 7/16" - 14 X 1 1/2" LG .....	2

# ELECTRONIC SPEED CONTROL

THE USE OF NON U.L. PARTS WILL VOID ANY U.L. LISTING.

When ordering parts, please specify the model and serial number of the product.

\* Indicates a component that is not available as an individual part.

\*\*\* Indicates consult Customer Service Department for additional information.

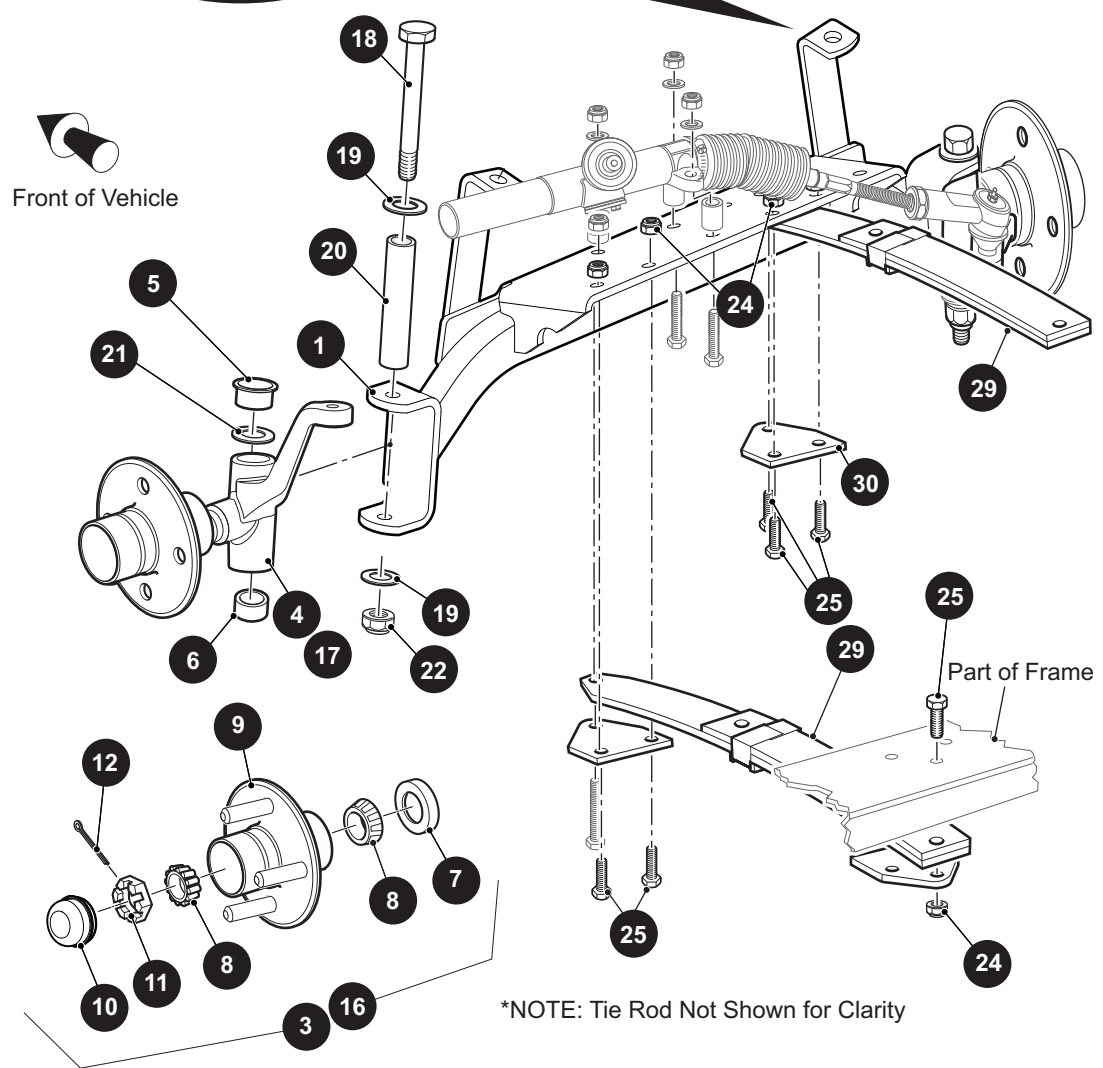
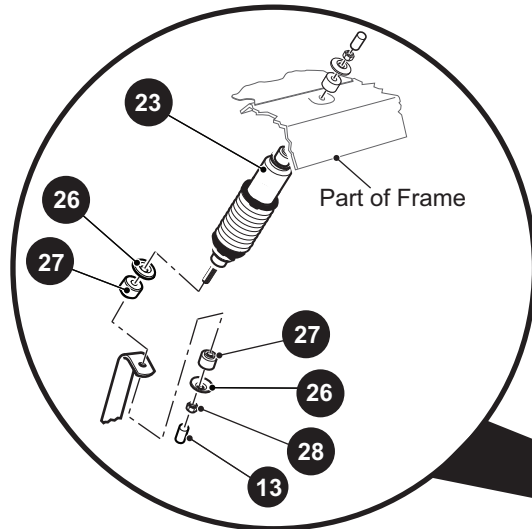
ITEM	PART NO.	1	2	3	4	5	DESCRIPTION	QTY.
32								
33	16816G2						RATCHET RIVET, .25" X .887" LG.....	3
34	00734G1						LOCK NUT, 7/16" - 14 .....	2



# FRONT SUSPENSION AND STEERING

**3** SPINDLE AND HUB ASSEMBLY, (PASSENGER SIDE) includes items 4 - 12

**16** SPINDLE AND HUB ASSEMBLY (DRIVER SIDE) includes items 5 - 12, 17



## FRONT SUSPENSION AND STEERING

THE USE OF NON U.L. PARTS WILL VOID ANY U.L. LISTING.

When ordering parts, please specify the model and serial number of the product.

\* Indicates a component that is not available as an individual part.

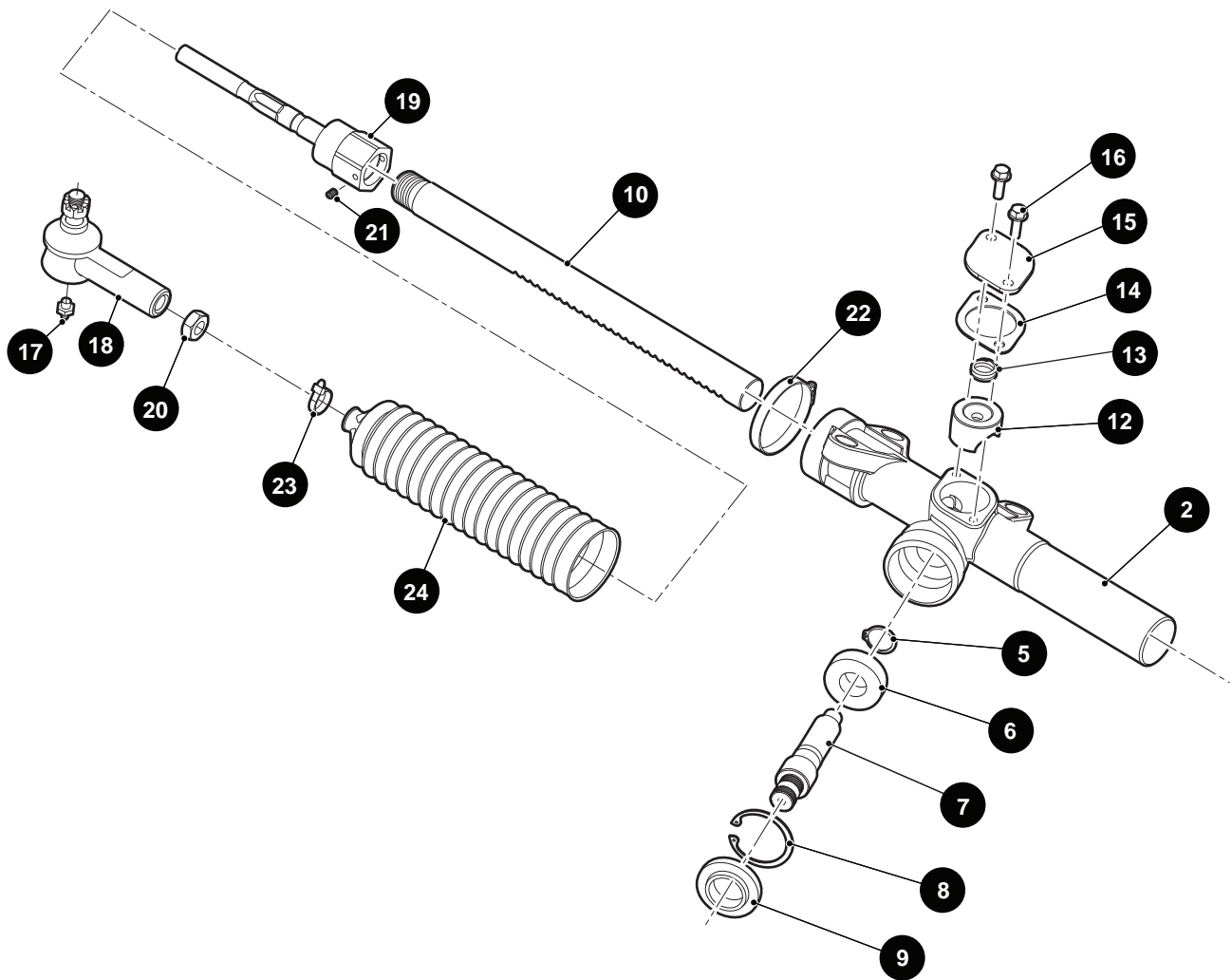
\*\*\* Indicates consult Customer Service Department for additional information.

ITEM	PART NO.	1 2 3 4 5	DESCRIPTION	QTY.
1	652823		FRONT AXLE.....	1
2				
3	70930G01		SPINDLE AND HUB ASSEMBLY, (PASSENGER SIDE) (INCLUDES ITEMS 4 - 12).....	1
4	70802G01		SPINDLE ASSEMBLY (PASSENGER SIDE) .....	1
5	632925		FLANGED BEARING .....	1
6	632926		BEARING .....	1
7	25146G1		GREASE SEAL.....	1
8	11750G2		ROLLER BEARING AND RACE ASSEMBLY.....	2
9	35886G01		WHEEL HUB .....	1
10	12091G2		SPINDLE CAP.....	1
11	12093G1		SLOTTED NUT, 1" - 14.....	1
12	00798G8		COTTER PIN, 5/32" X 1 3/4" LG .....	1
13	10044G01		VINYL CAP.....	4
14				
15				
16	70931G01		SPINDLE AND HUB ASSEMBLY, (DRIVER SIDE) (INCLUDES ITEMS 5 - 12 & 17).....	1
17	70803G01		SPINDLE ASSEMBLY (DRIVER SIDE) .....	1
18	00407G6		HEX HEAD BOLT, 1/2" - 13 X 6" LG .....	2
19	00560G3		FLAT WASHER, 1/2".....	4
20	70745G01		KING PIN TUBE.....	2
21	70754G01		THRUST WASHER (SS), 1.3" .....	2
22	14390G6		LOCK NUT, 1/2" - 13.....	2
23	76419G01		SHOCK ABSORBER.....	2
24	00734G1		LOCK NUT, 7/16" - 14.....	11
25	00463G11		HEX HEAD BOLT, 7/16" - 14 X 1 1/2" LG .....	11
26	10435G1		SHOCK ABSORBER WASHER.....	8
27	10194G1		RUBBER SHOCK ABSORBER BUSHING .....	8
28	00532G6		HEX NUT, 1/4" - 20 .....	4
29	70990G03		CANTILEVER LEAF SPRING .....	2
30	652258		SPRING PLATE .....	4

# FRONT SUSPENSION AND STEERING

**1** STEERING BOX ASSEMBLY includes items 2 - 24

**19** ROD END (INNER) includes items 20 & 21





## FRONT SUSPENSION AND STEERING

THE USE OF NON U.L. PARTS WILL VOID ANY U.L. LISTING.

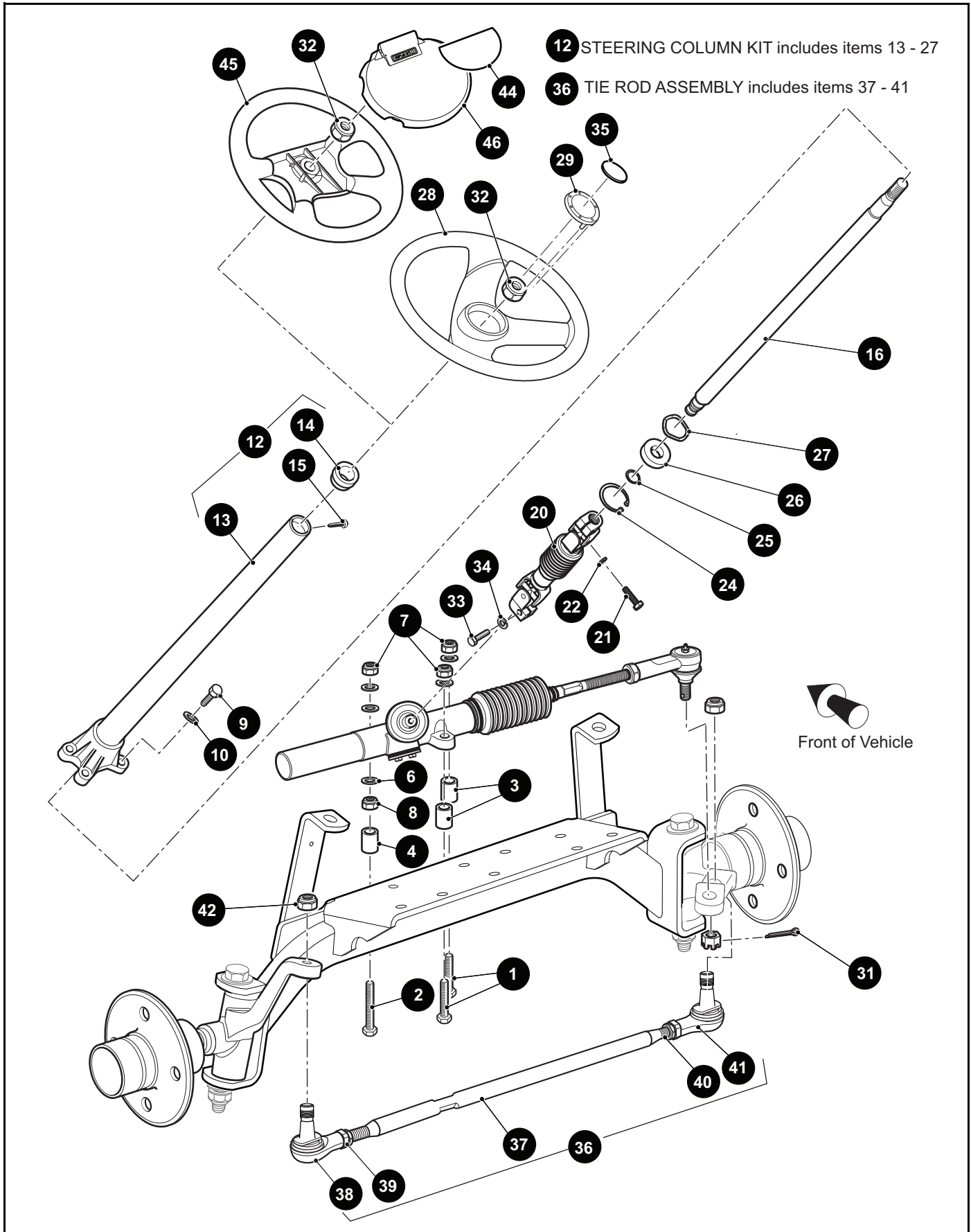
When ordering parts, please specify the model and serial number of the product.

\* Indicates a component that is not available as an individual part.

\*\*\* Indicates consult Customer Service Department for additional information.

ITEM	PART NO.	1 2 3 4 5	DESCRIPTION	QTY.
1	70964G01		STEERING BOX ASSEMBLY (COMPLETE) (INCLUDES ITEMS 2 - 24) .....	1
2	70965G01		STEERING RACK COVER AND BEARING .....	1
3				
4				
5	70750G01		RETAINING RING (EXTERNAL) .....	1
6	15112G1		BALL BEARING .....	1
7	70603G01		PINION .....	1
8	70751G01		RETAINING RING (INTERNAL) .....	1
9	70638G01		SEAL PINION .....	1
10	70604G01		RACK STEERING .....	1
11				
12	70590G01		RACK LOADER .....	1
13	70666G01		SPRING COMPRESSION .....	1
14	70645G01		RACK LOADER GASKET .....	1
15	652259		RACK LOADER COVER .....	1
16	71102G01		HEX WASHER HEAD BOLT, 1/4" - 20 X .90" LG .....	2
17	10389G3		GREASE FITTING, STRAIGHT .....	1
18	70695G01		TIE ROD END - OUTER .....	1
19	70694G01		ROD END (INNER) (INCLUDES ITEMS 20 & 21) .....	1
20	*		JAM NUT, 1/2" - 20 .....	1
21	*		SOCKET HEAD SCREW, #10 - 32 X .25" LG .....	1
22	11391G8		WIRE TIE .....	1
23	12416G2		NYLON CLAMP .....	1
24	70961G01		RACK BOOT .....	1

# FRONT SUSPENSION AND STEERING



## FRONT SUSPENSION AND STEERING

THE USE OF NON U.L. PARTS WILL VOID ANY U.L. LISTING.

When ordering parts, please specify the model and serial number of the product.

\* Indicates a component that is not available as an individual part.

\*\*\* Indicates consult Customer Service Department for additional information.

ITEM	PART NO.	1 2 3 4 5	DESCRIPTION	QTY.
1	00464G8		HEX HEAD BOLT, 7/16" - 14 X 2 3/4" LG .....	2
2	01068G01		HEX HEAD BOLT, 7/16" - 14 X 3.5" LG .....	1
3	70667G02		SPACER, O.D, 1" X I.D .46" X 1.2" LG .....	2
4	70667G04		SPACER, O.D 1" X I.D .46" X .69" LG .....	1
5				
6	00560G2		FLAT WASHER, 7/16" .....	7
7	00734G1		LOCK NUT, 7/16" - 14 .....	3
8	00532G7		HEX NUT, 1/4" - 20 .....	1
9	01006G01		HEX WASHER HEAD BOLT, 3/8" - 16 X 1 1/4" LG .....	4
10	00879G1		FLAT WASHER, 3/8" .....	4
11				
12	70758G05		STEERING COLUMN KIT (INCLUDES ITEMS 13 - 27).....	1
13	70610G03		STEERING COLUMN.....	1
14	28569G01		STEERING COLUMN BUSHING .....	1
15	01022G01		HEX WASHER HEAD BOLT, #6 - 20 X 5/16" LG .....	1
16	70607G01		STEERING SHAFT.....	1
17				
18				
19				
20	70580G01		INTERMEDIATE SHAFT .....	1
21	01055G01		HEX HEAD BOLT, M8 - 1.25 X 30MM LG .....	1
22	00565G8		LOCK WASHER, 5/16" .....	1
23				
24	70751G01		RETAINING RING (INTERNAL) .....	1
25	70888G01		RETAINING RING (EXTERNAL).....	1
26	15112G1		BALL BEARING .....	1
27	70887G01		WAVE WASHER.....	1
28	639437		STEERING WHEEL .....	1
29	639439		STEERING WHEEL COVER .....	1
30	605435		STEERING WHEEL DECAL .....	1
31	10387G2		COTTER PIN, 3/32" X 1" LG.....	1

# FRONT SUSPENSION AND STEERING

THE USE OF NON U.L. PARTS WILL VOID ANY U.L. LISTING.

When ordering parts, please specify the model and serial number of the product.

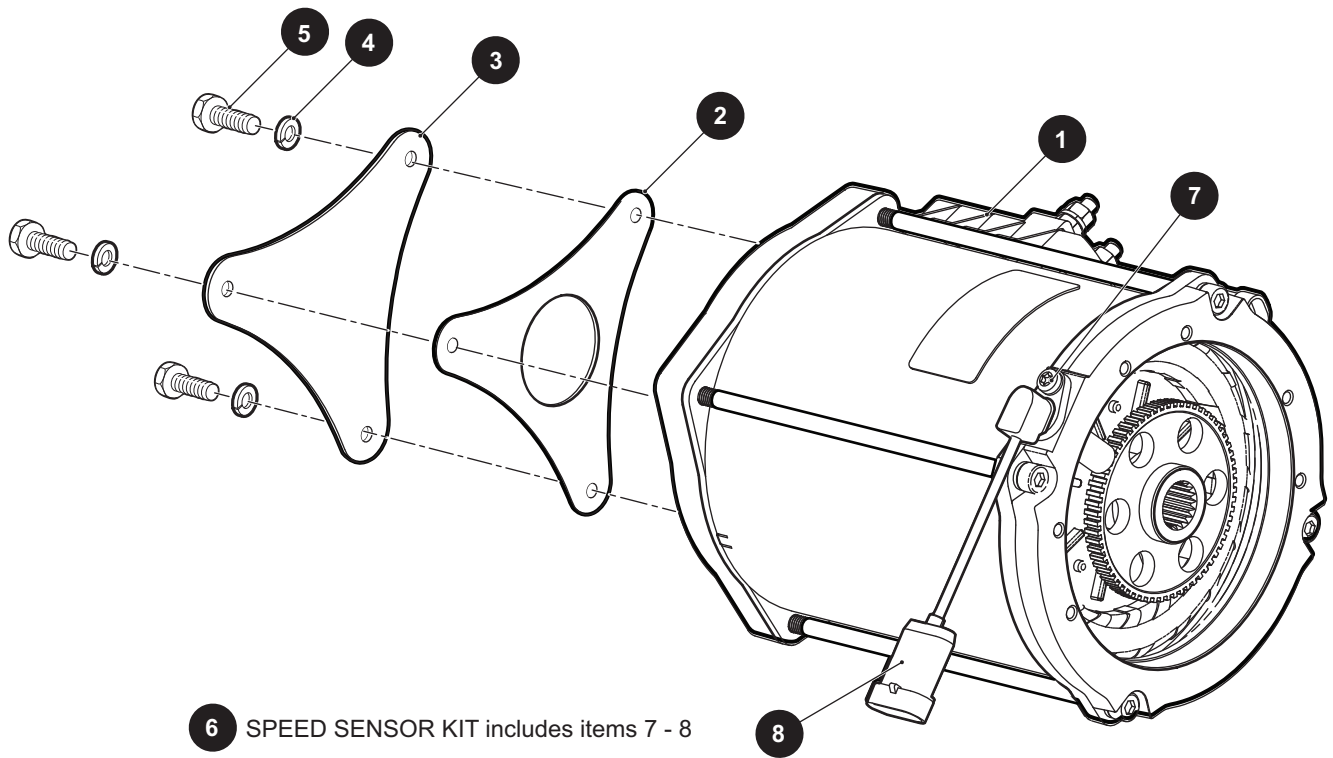
\* Indicates a component that is not available as an individual part.

\*\*\* Indicates consult Customer Service Department for additional information.

ITEM	PART NO.	1 2 3 4 5	DESCRIPTION	QTY.
32	14390G2		LOCK NUT, 5/8" - 18 .....	1
33	01055G01		HEX HEAD BOLT, M8 X 1 1/4" LG .....	1
34	00565G8		LOCK WASHER, 5/16" .....	1
35	650963		LABEL.....	1
36	70876G02		TIE ROD ASSEMBLY (INCLUDES ITEMS 37 - 41) .....	1
37	70897G02		THREADED ROD (24" LG).....	1
38	70902G01		TIE ROD END (LEFT HAND THREADS) .....	1
39	01069G01		JAM NUT, M12 X 1.25 - 05 (LEFT HAND THREADS).....	1
40	70902G02		TIE ROD END (RIGHT HAND THREADS).....	1
41	01069G02		JAM NUT, M12 X 1.25 - 05 (RIGHT HAND THREADS) .....	1
42	00734G1		LOCK NUT, 7/16" - 14 .....	2
43				
44	608529		LABEL.....	1
45	602980		STEERING WHEEL (PREMIUM) .....	1
46	607925		SCORE CARD ASSEMBLY.....	1



# MOTOR



THE USE OF NON U.L. PARTS WILL VOID ANY U.L. LISTING.

When ordering parts, please specify the model and serial number of the product.

\* Indicates a component that is not available as an individual part.

\*\*\* Indicates consult Customer Service Department for additional information.

ITEM	PART NO.	1 2 3 4 5	DESCRIPTION	QTY.
1	615557		MOTOR, 72V .....	1
2	629597		MOTOR COVER GASKET .....	1
3	629596		MOTOR COVER .....	1
4	601327		LOCK WASHER, 6MM.....	9
5	616716		HEX HEAD BOLT, M6 - 1 X 16MM LG.....	3
6	614252		SPEED SENSOR KIT (INCLUDES ITEMS 7 - 8) .....	1
7	614253		PAN HEAD TORX SCREW, M6 X 1 - 12MM LG .....	1
8	612741		SPEED SENSOR .....	1
9				
10				
11				
12	630761		LOOP CLAMP (NOT ILLUSTRATED).....	1
13	605741		HEX HEAD BOLT, M6 - 1 X 25MM LG (NOT ILLUSTRATED) .....	6
14	635137G01		MOTOR WIRE, 2AWG, 44" (NOT ILLUSTRATED).....	1
15	635137G02		MOTOR WIRE, 2AWG, 41" (NOT ILLUSTRATED).....	1
16	635137G03		MOTOR WIRE, 2AWG, 37" (NOT ILLUSTRATED).....	1



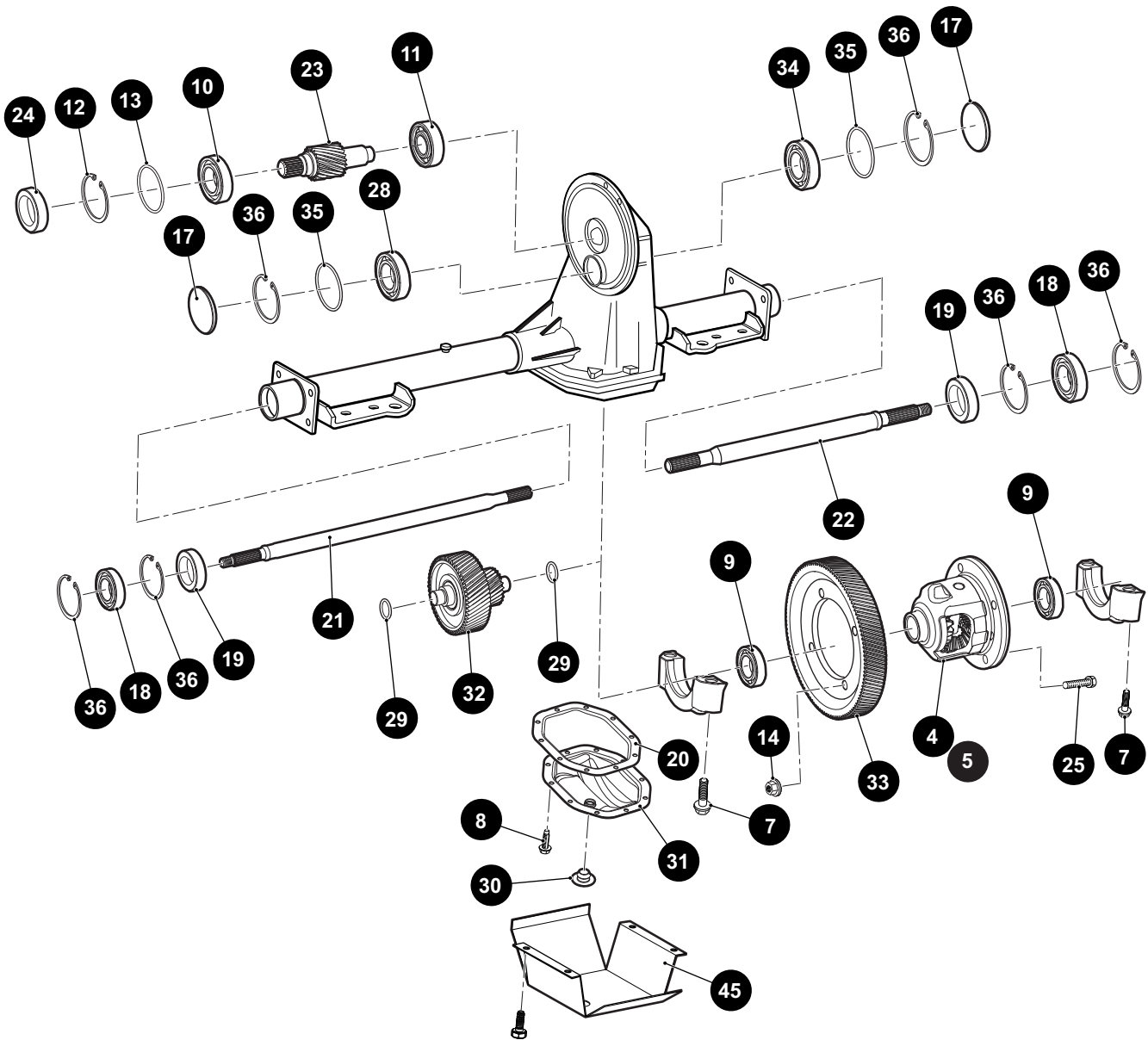




# REAR AXLE

1 REAR AXLE WITH LSD includes items 5 - 42

2 REAR AXLE includes items 4, 7 - 42



# REAR AXLE

THE USE OF NON U.L. PARTS WILL VOID ANY U.L. LISTING.

When ordering parts, please specify the model and serial number of the product.

\* Indicates a component that is not available as an individual part.

\*\*\* Indicates consult Customer Service Department for additional information.

ITEM	PART NO.	1 2 3 4 5	DESCRIPTION	QTY.
1	633600		REAR AXLE WITH LSD, 16.99:1 (INCLUDES ITEMS 5 - 42).....	1
2	633599		REAR AXLE, 16.99:1 (INCLUDES ITEMS 4, 7 - 42).....	1
3				
4	601082		DIFFERENTIAL ASSEMBLY.....	1
5	614059		DIFFERENTIAL ASSEMBLY LSD CARRIER W/CC CLUTCH.....	1
6				
7	15118G1		HEX HEAD BOLT, 3/8" - 16 X 2.125" LG.....	4
8	15558G1		HEX HEAD BOLT, 5/16" - 18 X .75" LG.....	10
9	17473G1		DIFFERENTIAL BEARING ASSEMBLY.....	2
10	23519G2		BALL BEARING SINGLE LIP SEAL.....	1
11	23520G1		BALL BEARING.....	1
12	23530G1		RETAINER RING.....	1
13	24628G1		O - RING SEAL.....	1
14	601084		LOCK NUT, 3/8" - 24.....	4
15				
16				
17	608811		END CAP.....	2
18	611788		BALL BEARING.....	2
19	612064		OIL SEAL.....	2
20	612824		GASKET.....	1
21	617608		AXLE SHAFT (DRIVER SIDE).....	1
22	617609		AXLE SHAFT (PASSENGER SIDE).....	1
23	620327		INPUT GEAR.....	1
24	620328		OIL SEAL.....	1
25	620335		HEX HEAD BOLT, 3/8" - 24 X 1.25" LG.....	4
26				
27				
28	620340		BALL BEARING.....	1
29	620345		O-RING, 18MM.....	2
30	620347		RUBBER PLUG.....	1
31	620348		DIFFERENTIAL COVER PLATE.....	1

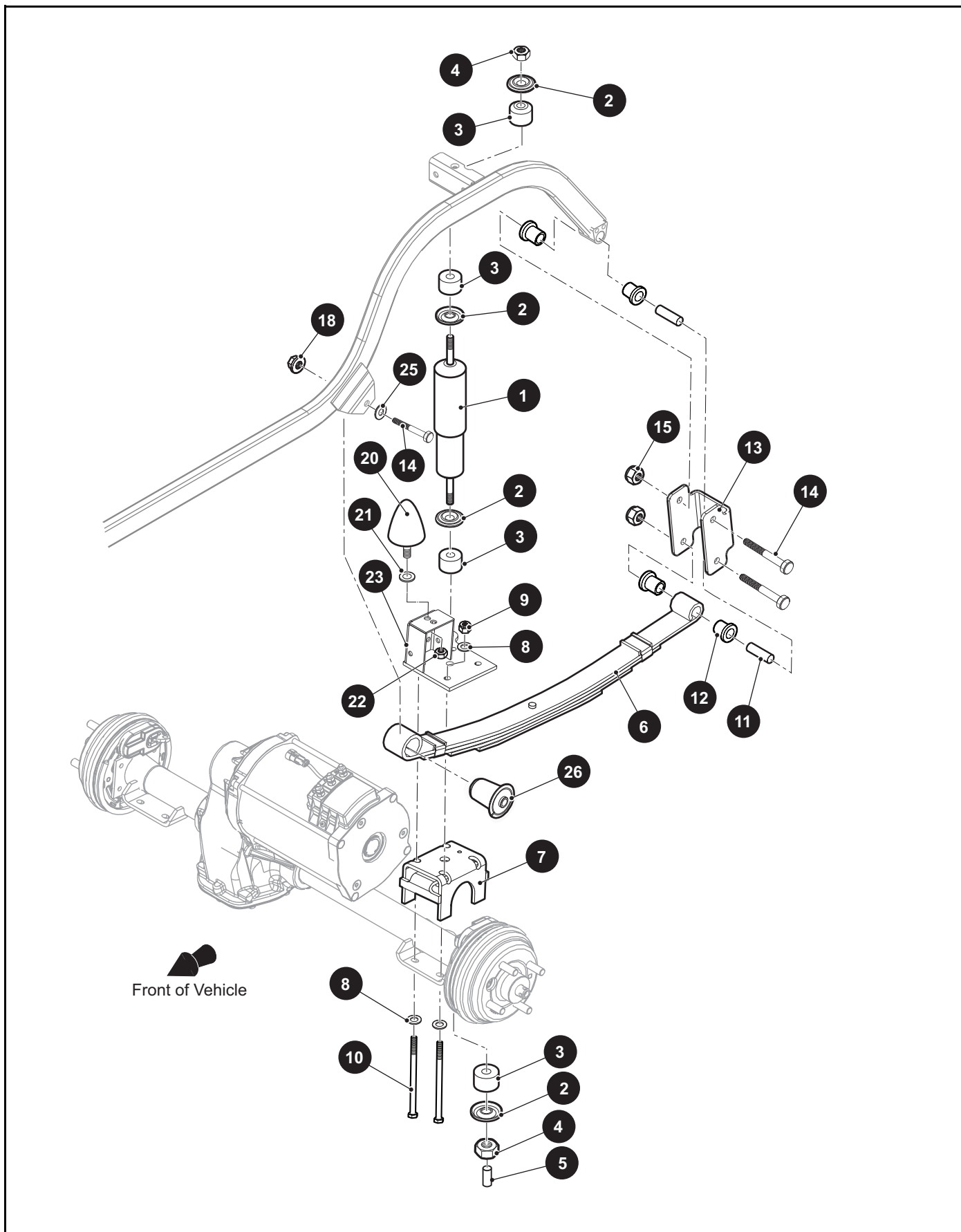
# REAR AXLE

THE USE OF NON U.L. PARTS WILL VOID ANY U.L. LISTING.  
 When ordering parts, please specify the model and serial number of the product.  
 \* Indicates a component that is not available as an individual part.  
 \*\*\* Indicates consult Customer Service Department for additional information.

ITEM	PART NO.	1	2	3	4	5	DESCRIPTION	QTY.
32	620349						INTERMEDIATE GEAR ASSEMBLY .....	1
33	620350						DRIVE GEAR.....	1
34	620355						BALL BEARING .....	1
35	620358						O-RING, 18MM.....	2
36	620359						RETAINING RING.....	6
37								
38								
39	620329						INPUT GEARS KIT (NOT ILLUSTRATED).....	1
40	620361						INTERNAL GEARS KIT (NOT ILLUSTRATED).....	1
41	620362						BALL BEARING KIT (NOT ILLUSTRATED) .....	1
42	620363						DIFFERENTIAL COVER ASSEMBLY KIT (NOT ILLUSTRATED).....	1
43								
44								
45	72764G02						SCUFF GUARD.....	1



# REAR SUSPENSION



# REAR SUSPENSION

THE USE OF NON U.L. PARTS WILL VOID ANY U.L. LISTING.

When ordering parts, please specify the model and serial number of the product.

\* Indicates a component that is not available as an individual part.

\*\*\* Indicates consult Customer Service Department for additional information.

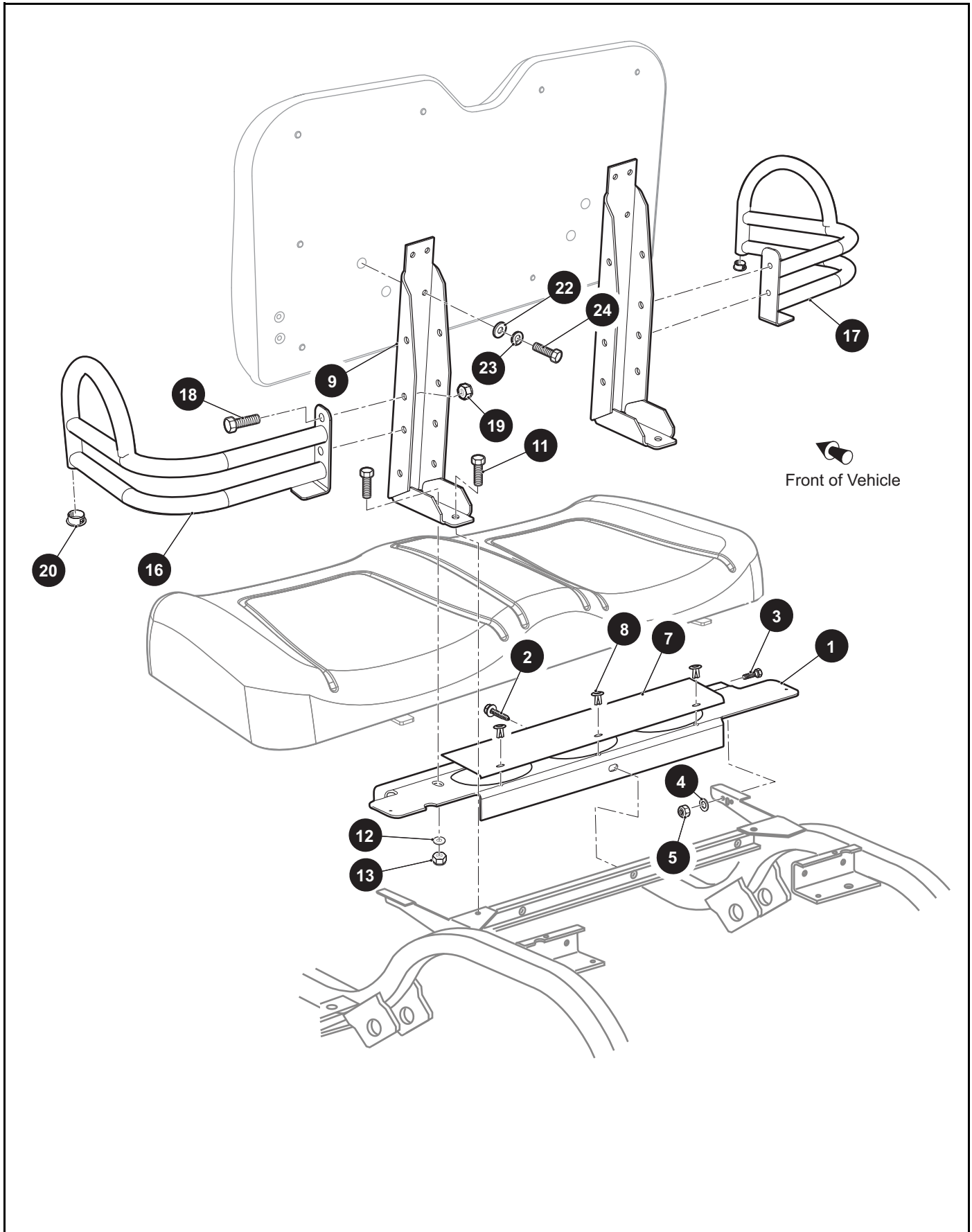
ITEM	PART NO.	1 2 3 4 5	DESCRIPTION	QTY.
1	76418G01		SHOCK ABSORBER .....	1
2	10435G1		SHOCK ABSORBER WASHER.....	4
3	10194G1		RUBBER BUSHING.....	4
4	00532G6		HEX NUT, 3/8" - 24 .....	2
5	10044G01		VINYL CAP .....	1
6	627738		HEAVY DUTY LEAF SPRING.....	1
7	620740		LIFT BRACKET .....	1
8	00560G1		FLAT WASHER, 3/8" .....	8
9	11098G5		LOCK NUT, 3/8" - 16.....	4
10	00430G12		HEX HEAD BOLT, 3/8" - 16 X 5 1/2" LG .....	4
11	70289G02		SPLIT STEEL SPACER .....	2
12	624030		FLANGED BUSHING.....	4
13	636126		SHACKLE BRACKET .....	1
14	00665G9		HEX HEAD BOLT (SS), 3/8" - 16 X 3 1/2" LG .....	3
15	11098G5		LOCK NUT, 3/8" - 16.....	2
16				
17				
18	12262G1		LOCK NUT, 3/8" - 16.....	1
19				
20	70492G01		RUBBER BUMPER.....	1
21	608654		SPLIT LOCK WASHER, M10.....	1
22	00974G01		HEX NUT, M10 X 1.0 .....	1
23	72360G02		MOUNTING PLATE (DRIVER SIDE) .....	1
24	72360G01		MOUNTING PLATE (PASSENGER SIDE) (NOT ILLUSTRATED) .....	1
25	00643G1		FLAT WASHER, 3/8".....	1
26	605445		BUSHING, 49MM .....	1







# SEATING



THE USE OF NON U.L. PARTS WILL VOID ANY U.L. LISTING.

When ordering parts, please specify the model and serial number of the product.

\* Indicates a component that is not available as an individual part.

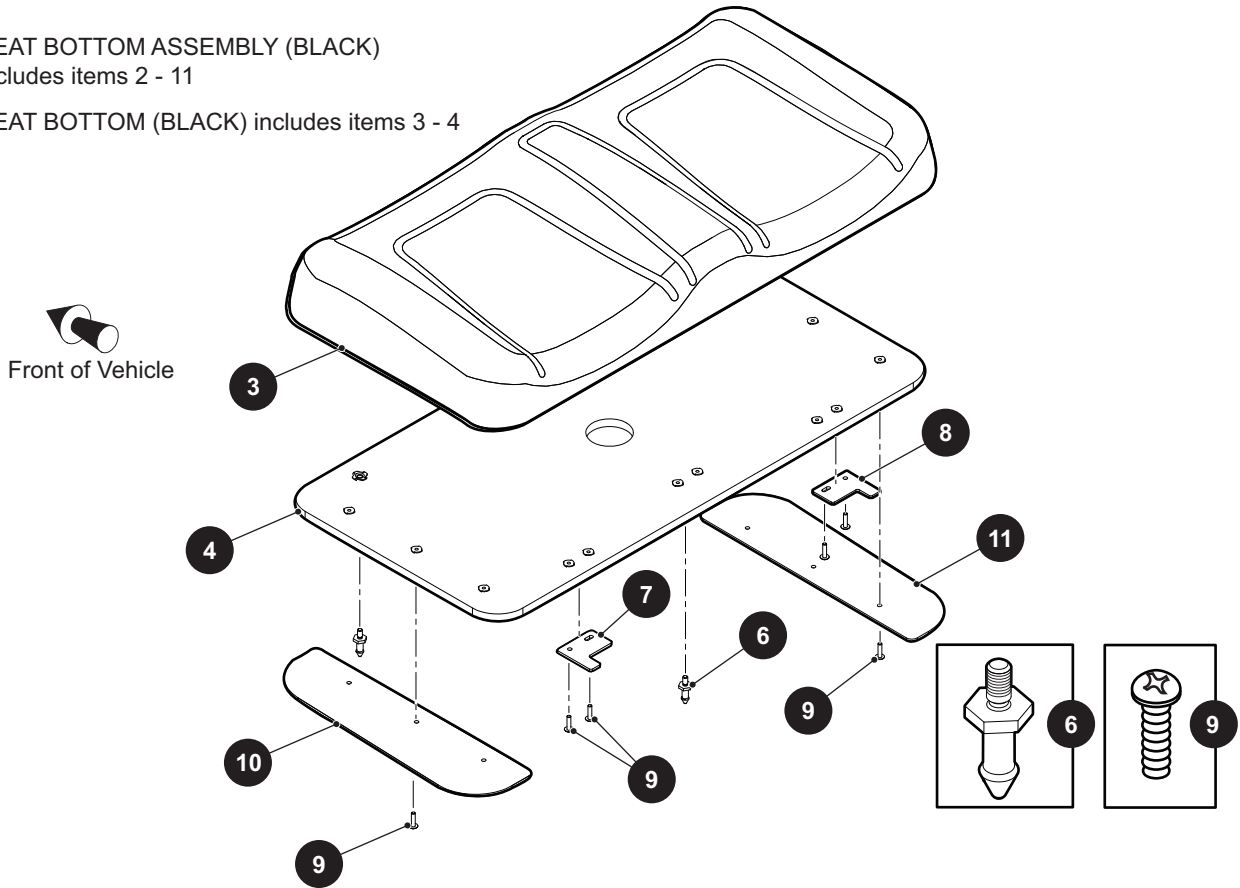
\*\*\* Indicates consult Customer Service Department for additional information.

ITEM	PART NO.	1 2 3 4 5	DESCRIPTION	QTY.
1	74971G01		SEAT BACK SUPPORT .....	1
2	00715G2		HEX WASHER HEAD SCREW, 5/16" - 18 X 13/16" LG .....	1
3	00438G8		HEX HEAD BOLT, 5/16" - 18 X 3/4" LG .....	2
4	00642G8		LOCK WASHER, 5/16" .....	2
5	11098G6		LOCK NUT, 5/16" - 18 .....	2
6				
7	71263G01		ACCESS COVER.....	1
8	18436G1		DRIVE RIVET, .25" X .625" .....	3
9	624486		SEAT BACK SUPPORT BRACKET .....	2
10				
11	01006G01		HEX HEAD BOLT, 3/8" - 16 X 1 1/4" LG .....	4
12	00643G1		LOCK WASHER, 3/8" .....	2
13	11098G5		LOCK NUT, 3/8" - 16 .....	2
14				
15				
16	645382G01		HIP RESTRAINT (DRIVER SIDE) .....	1
17	645382G02		HIP RESTRAINT (PASSENGER SIDE) .....	1
18	00438G7		HEX HEAD BOLT, 5/16" - 18 X 7/8" LG .....	4
19	11098G6		LOCK NUT, 5/16" - 18 .....	4
20	641252		HOLE PLUG, DIA. 1" O.D. X .44" LG .....	2
21				
22	01110G01		FLAT WASHER, 1/4" .....	4
23	00664G7		LOCK WASHER, 1/4" .....	4
24	00661G8		HEX HEAD BOLT (SS), 1/4" - 20 X 1" LG .....	4

# SEATING

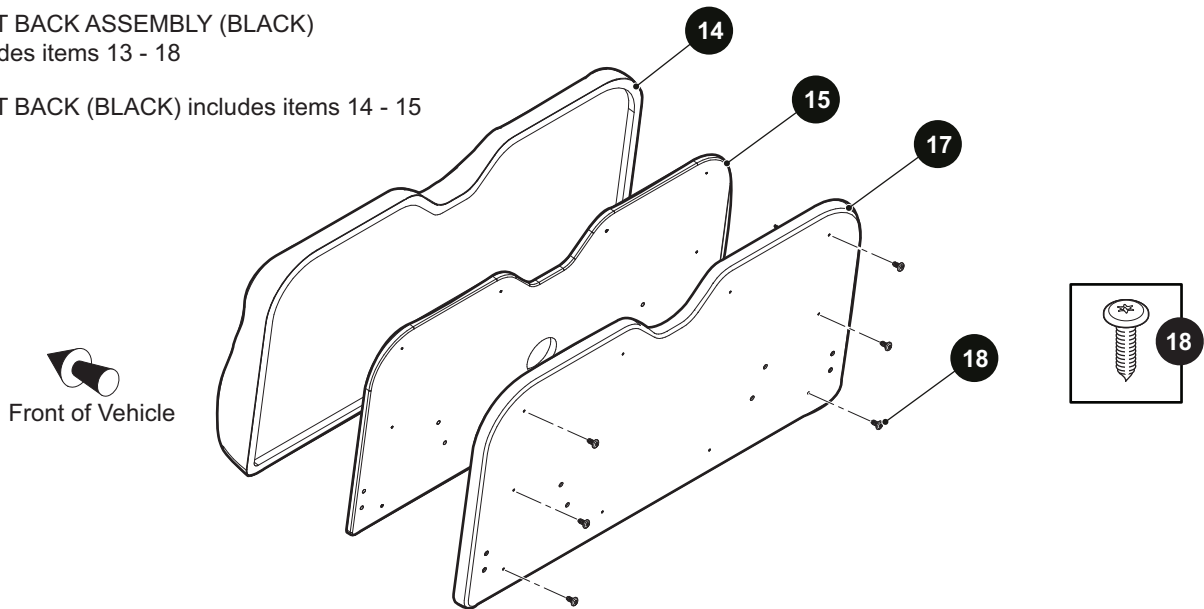
**1** SEAT BOTTOM ASSEMBLY (BLACK)  
includes items 2 - 11

**2** SEAT BOTTOM (BLACK) includes items 3 - 4



**12** SEAT BACK ASSEMBLY (BLACK)  
includes items 13 - 18

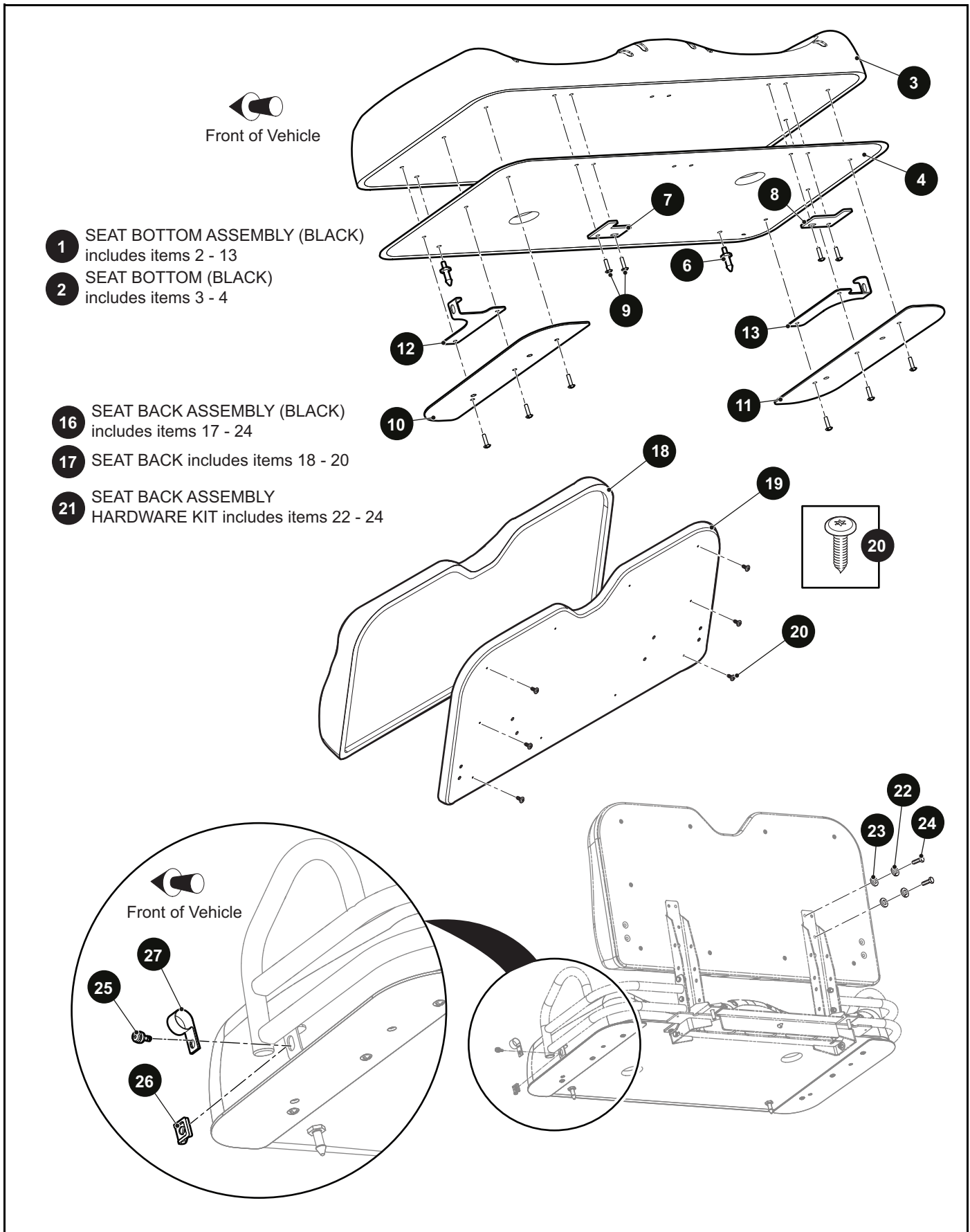
**13** SEAT BACK (BLACK) includes items 14 - 15



THE USE OF NON U.L. PARTS WILL VOID ANY U.L. LISTING.  
 When ordering parts, please specify the model and serial number of the product.  
 \* Indicates a component that is not available as an individual part.  
 \*\*\* Indicates consult Customer Service Department for additional information.

ITEM	PART NO.	1 2 3 4 5	DESCRIPTION	QTY.
1	640489G0206		SEAT BOTTOM ASSEMBLY (BLACK) (INCLUDES ITEMS 2 - 11) .....	1
2	637823G06		SEAT BOTTOM (BLACK) (INCLUDES ITEMS 3 - 4) .....	1
3	640234G06		VINYL AND FOAM SEAT BOTTOM.....	1
4	640198		WOOD SEAT BOTTOM .....	1
5				
6	639904		RETENTION PIN.....	2
7	638701G01		SEAT LOCATOR TAB (DRIVER SIDE) .....	1
8	638701G02		SEAT LOCATOR TAB (PASSENGER SIDE) .....	1
9	16705G1		TRUSS HEAD PHILLIPS SCREW (SS), 1/4" - 20 X 1" LG .....	10
10	640674G01		SEAT SIDE COVER (DRIVER SIDE) .....	1
11	640674G02		SEAT SIDE COVER (PASSENGER SIDE) .....	1
12	640781G06		SEAT BACK ASSEMBLY (BLACK) (INCLUDES ITEMS 13 - 18) .....	1
13	637824G06		SEAT BACK (BLACK) (INCLUDES ITEMS 14 - 15).....	1
14	640233G06		VINYL AND FOAM SEAT BACK .....	1
15	640208		WOOD SEAT BACK.....	1
16				
17	640209		SEAT BACK COVER .....	1
18	01107G01		PAN HEAD TORX SCREW, #8 .....	10

# SEATING



THE USE OF NON U.L. PARTS WILL VOID ANY U.L. LISTING.

When ordering parts, please specify the model and serial number of the product.

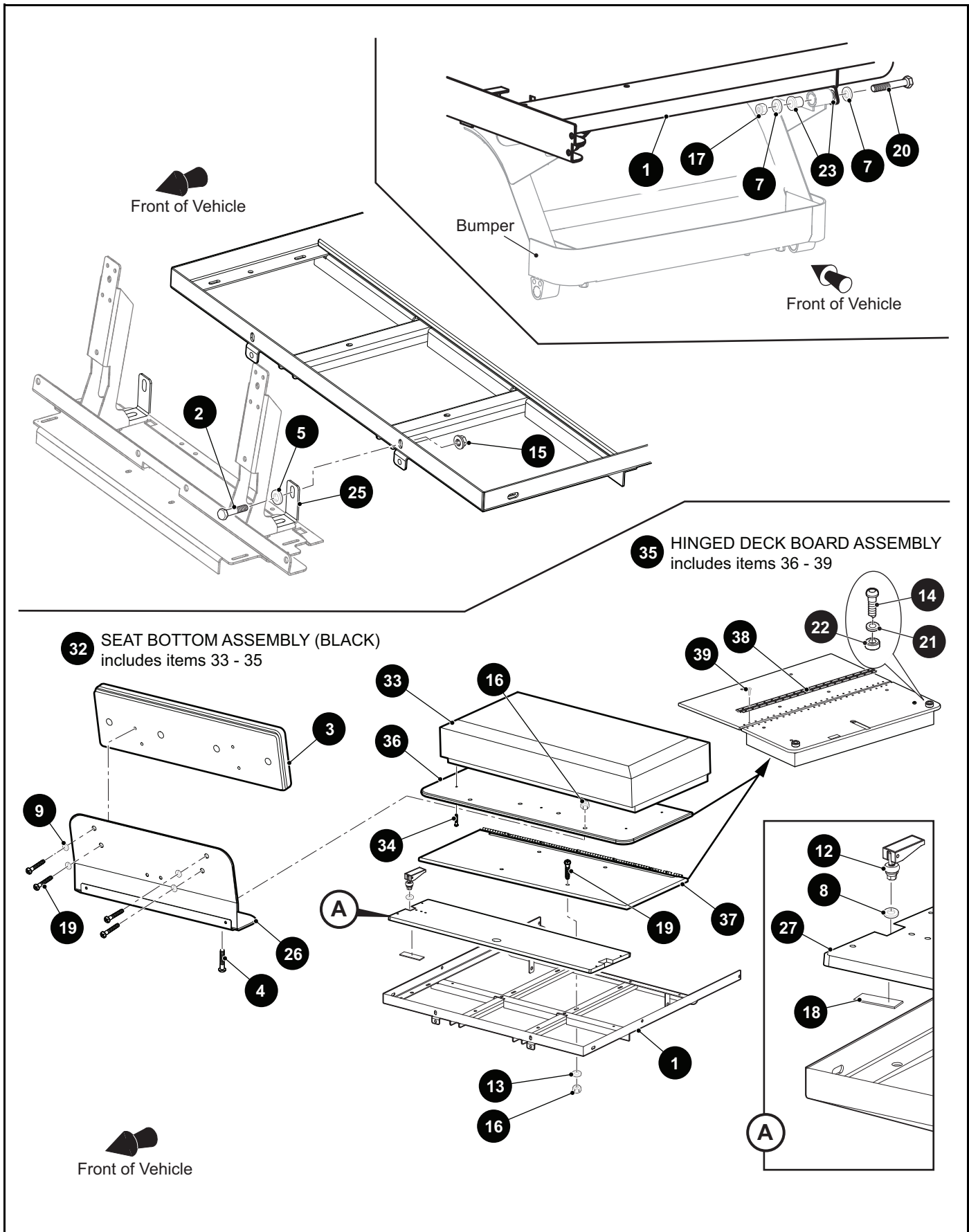
\* Indicates a component that is not available as an individual part.

\*\*\* Indicates consult Customer Service Department for additional information.

ITEM	PART NO.	1 2 3 4 5	DESCRIPTION	QTY.
1	640489G0306		SEAT BOTTOM ASSEMBLY (BLACK) (INCLUDES ITEMS 2 - 13).....	1
2	637823G06		SEAT BOTTOM (BLACK) (INCLUDES ITEMS 3 - 4) .....	1
3	640234G06		VINYL AND FOAM SEAT BOTTOM.....	1
4	640198		WOOD SEAT BOTTOM .....	1
5				
6	639904		RETENTION PIN.....	2
7	638701G01		SEAT LOCATOR TAB (DRIVER SIDE) .....	1
8	638701G02		SEAT LOCATOR TAB (PASSENGER SIDE) .....	1
9	16705G1		TRUSS HEAD PHILLIPS SCREW (SS), 1/4" - 20 X 1" LG .....	10
10	640674G01		SEAT SIDE COVER (DRIVER SIDE).....	1
11	640674G02		SEAT SIDE COVER (PASSENGER SIDE) .....	1
12	646379G01		SEAT LOCK BRACKET (DRIVER SIDE) .....	1
13	646379G02		SEAT LOCK BRACKET (PASSENGER SIDE).....	1
14				
15				
16	643071G0006		SEAT BACK ASSEMBLY (BLACK) (INCLUDES ITEMS 17 - 24) .....	1
17	640781G06		SEAT BACK (BLACK) (INCLUDES ITEMS 18 - 20).....	1
18	637824G06		SEAT BACK .....	1
19	640209		SEAT BACK COVER .....	1
20	01107G01		PAN HEAD TORX SCREW, #8.....	10
21	643074		SEAT BACK ASSEMBLY HARDWARE KIT (INCLUDES ITEMS 22 - 24).....	1
22	00664G7		LOCK WASHER, 1/4" .....	4
23	01110G01		FLAT WASER, 1/4" .....	4
24	00661G8		HEX HEAD BOLT, 1/4" - 20 X 1" LG .....	4
25	635958		QUARTER TURN SCREW ASSEMBLY .....	2
26	635654		RECEPTACLE .....	2
27	11854G6		RECEPTACLE CABLE.....	2



# SEATING





THE USE OF NON U.L. PARTS WILL VOID ANY U.L. LISTING.

When ordering parts, please specify the model and serial number of the product.

\* Indicates a component that is not available as an individual part.

\*\*\* Indicates consult Customer Service Department for additional information.

ITEM	PART NO.	1 2 3 4 5	DESCRIPTION	QTY.
1	640259		SEAT FRAME .....	1
2	00426G8		HEX HEAD BOLT, 3/8" - 16 X 1" LG .....	2
3	71274G02		BACK REST ASSEMBLY (BLACK).....	1
4	16705G1		TRUSS HEAD PHILLIPS SCREW (SS), 1/4" - 20 X 1" LG.....	4
5	00560G1		FLAT WASHER, 3/8" .....	2
6				
7	00560G3		FLAT WASHER, 3/8" .....	4
8	00793G2		FLAT WASHER (SS), 1/4".....	2
9	00664G7		LOCK WASHER, 1/4" .....	4
10				
11				
12	638060		SWELL LATCH.....	2
13	01110G01		FLAT WASHER, 1/4" .....	4
14	800344		TAPPING SCREW .....	2
15	11027G5		FLANGED LOCK NUT, 3/8" - 16.....	2
16	14390G4		LOCK NUT, 1/4" - 20 .....	8
17	14390G6		LOCK NUT, 1/2" - 13.....	2
18	640577		RUBBER PAD .....	6
19	16705G9		PAN HEAD PHILLIPS SCREW, 1/4" - 20 X 1 1/4" LG .....	8
20	311398		HEX HEAD BOLT, 1/2" - 13 X 3 1/2" LG .....	2
21	616671		FLAT WASHER, 15.8MM X 8.5MM X 1.5MM .....	2
22	619756		RUBBER BUMPER.....	2
23	624030		FLANGED BUSHING.....	4
24				
25	642863		SEAT FRAME BRACKET.....	2
26	627804		SEAT BACK WELDMENT.....	1
27	637994		REAR DECK BOARD .....	1
28				
29				
30				
31	605834		NYLON CLAMP, 36" (NOT ILLUSTRATED) .....	2

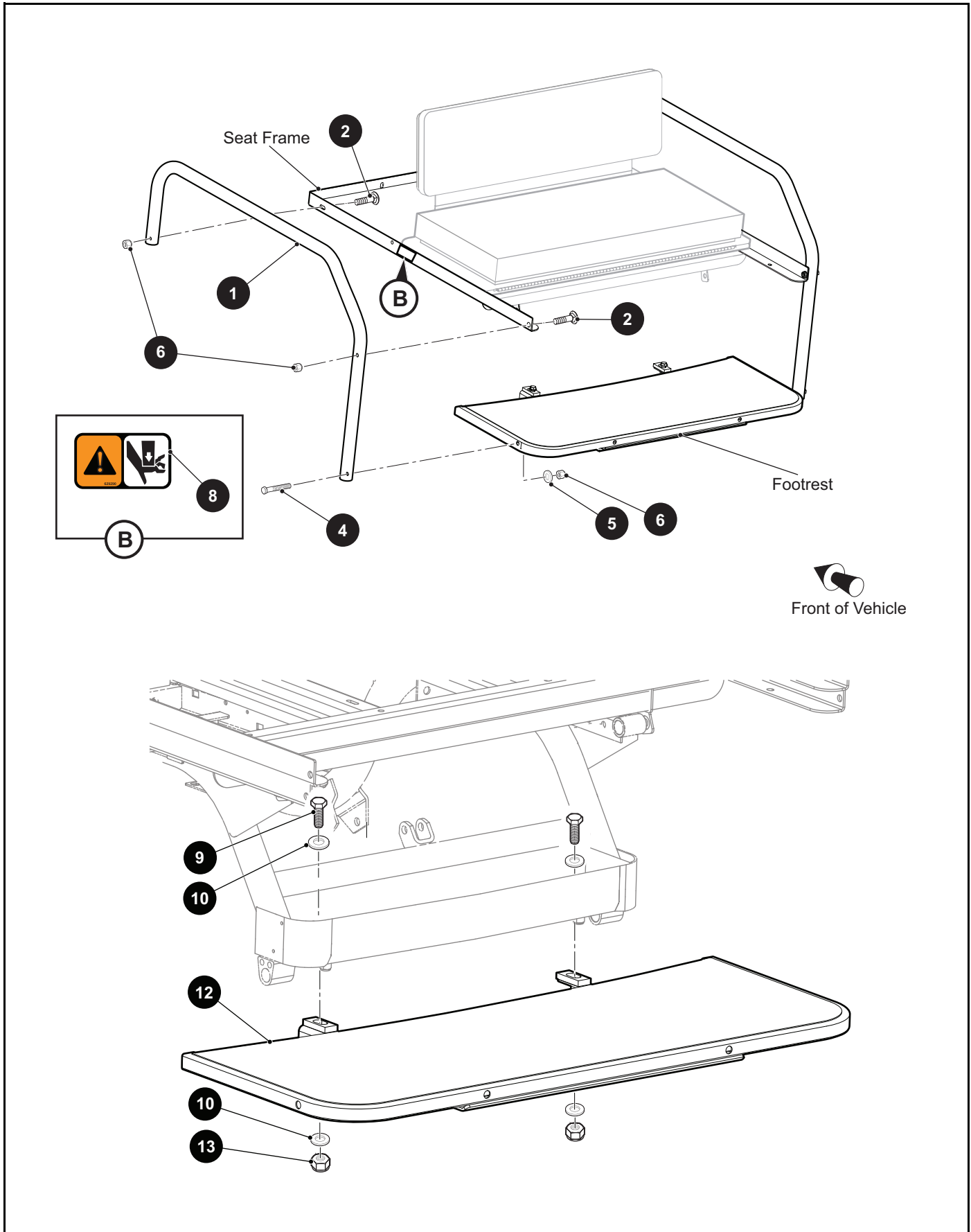
# SEATING

THE USE OF NON U.L. PARTS WILL VOID ANY U.L. LISTING.  
 When ordering parts, please specify the model and serial number of the product.  
 \* Indicates a component that is not available as an individual part.  
 \*\*\* Indicates consult Customer Service Department for additional information.

ITEM	PART NO.	1	2	3	4	5	DESCRIPTION	QTY.
32	629654						SEAT BOTTOM ASSEMBLY (BLACK) (INCLUDES ITEMS 33 - 35) .....	1
33	621036						SEAT BOTTOM (BLACK).....	1
34	16705G1						TRUSS HEAD PHILLIPS SCREW (SS), 1/4" - 20 X 1" LG.....	4
35	627157						HINGED DECK BOARD ASSEMBLY (INCLUDES ITEMS 36 - 39).....	1
36	627156						HINGED DECK BOARD .....	1
37	617133						SEAT DECK BOARD .....	1
38	617134						SEAT HINGE .....	1
39	617135						HINGE SCREW .....	36



# SEATING



THE USE OF NON U.L. PARTS WILL VOID ANY U.L. LISTING.

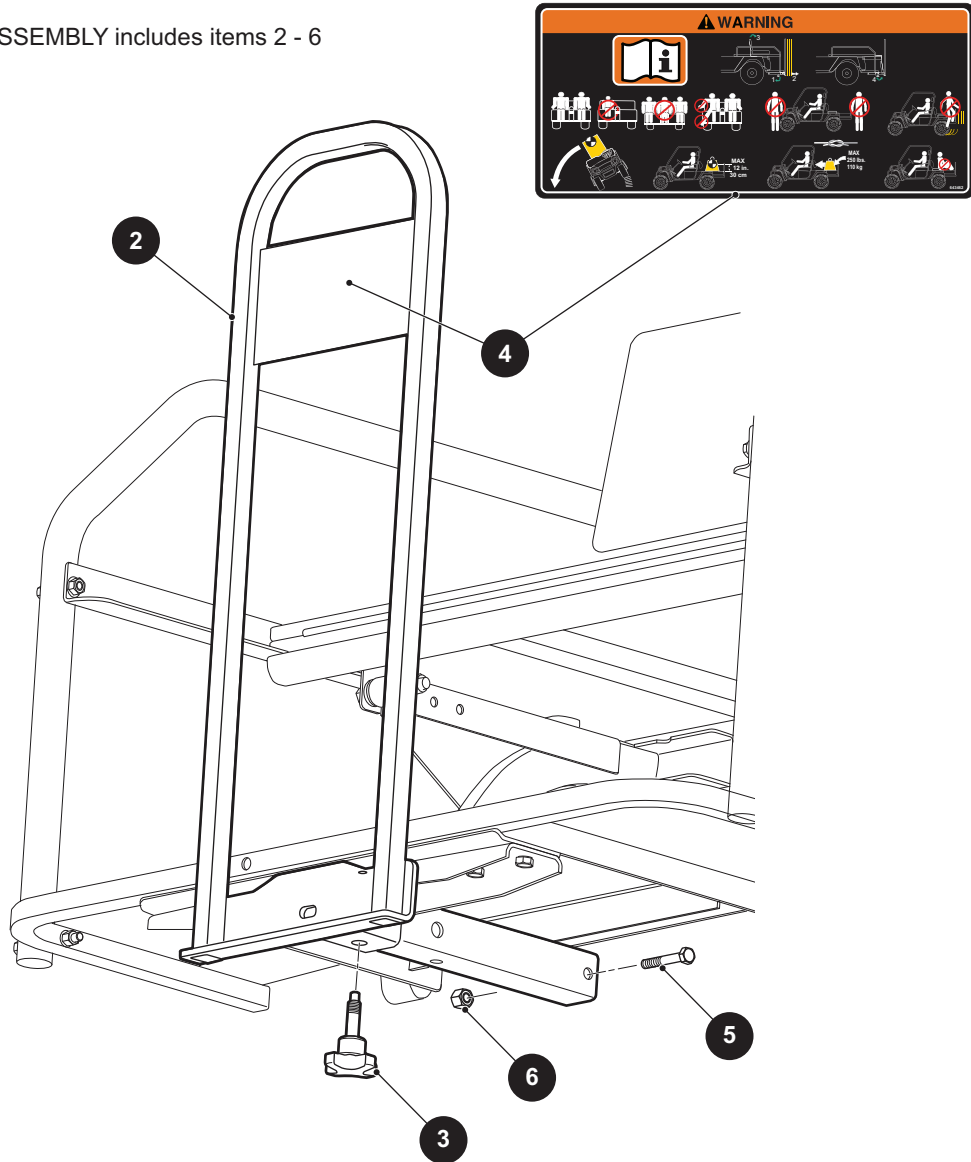
When ordering parts, please specify the model and serial number of the product.

\* Indicates a component that is not available as an individual part.

\*\*\* Indicates consult Customer Service Department for additional information.

ITEM	PART NO.	1 2 3 4 5	DESCRIPTION	QTY.
1	627783		ARMREST.....	2
2	630673		CARRIAGE BOLT, 3/8" - 16 X 2.25" LG.....	4
3				
4	630674		HEX HEAD BOLT, 3/8" - 16 X 3.25" LG.....	2
5	00560G1		FLAT WASHER, 3/8".....	2
6	630643		LOCK NUT, 3/8" - 16.....	6
7				
8	629290		LABEL (PINCH WARNING).....	2
9	00463G4		HEX HEAD BOLT, 7/16" - 14 X 1 1/2" LG.....	2
10	00560G2		FLAT WASHER, 3/8".....	4
11				
12	628552		FOOTREST.....	1
13	00734G1		LOCK NUT, 7/16" - 14.....	2

**1** FOOTREST ASSEMBLY includes items 2 - 6



THE USE OF NON U.L. PARTS WILL VOID ANY U.L. LISTING.  
 When ordering parts, please specify the model and serial number of the product.  
 \* Indicates a component that is not available as an individual part.  
 \*\*\* Indicates consult Customer Service Department for additional information.

ITEM	PART NO.	1 2 3 4 5	DESCRIPTION	QTY.
1	643451		FOOTREST ASSEMBLY (INCLUDES ITEMS 2 - 6) .....	1
2	643201		FOOTREST HANDLE.....	1
3	643468		KNOB .....	1
4	643462		DECAL (REAR FACING SEAT).....	1
5	00428G4		HEX HEAD CAP SCREW, 3/8" - 16 X 2 1/4" LG.....	1
6	11098G5		LOCK NUT, 3/8" - 16 .....	1

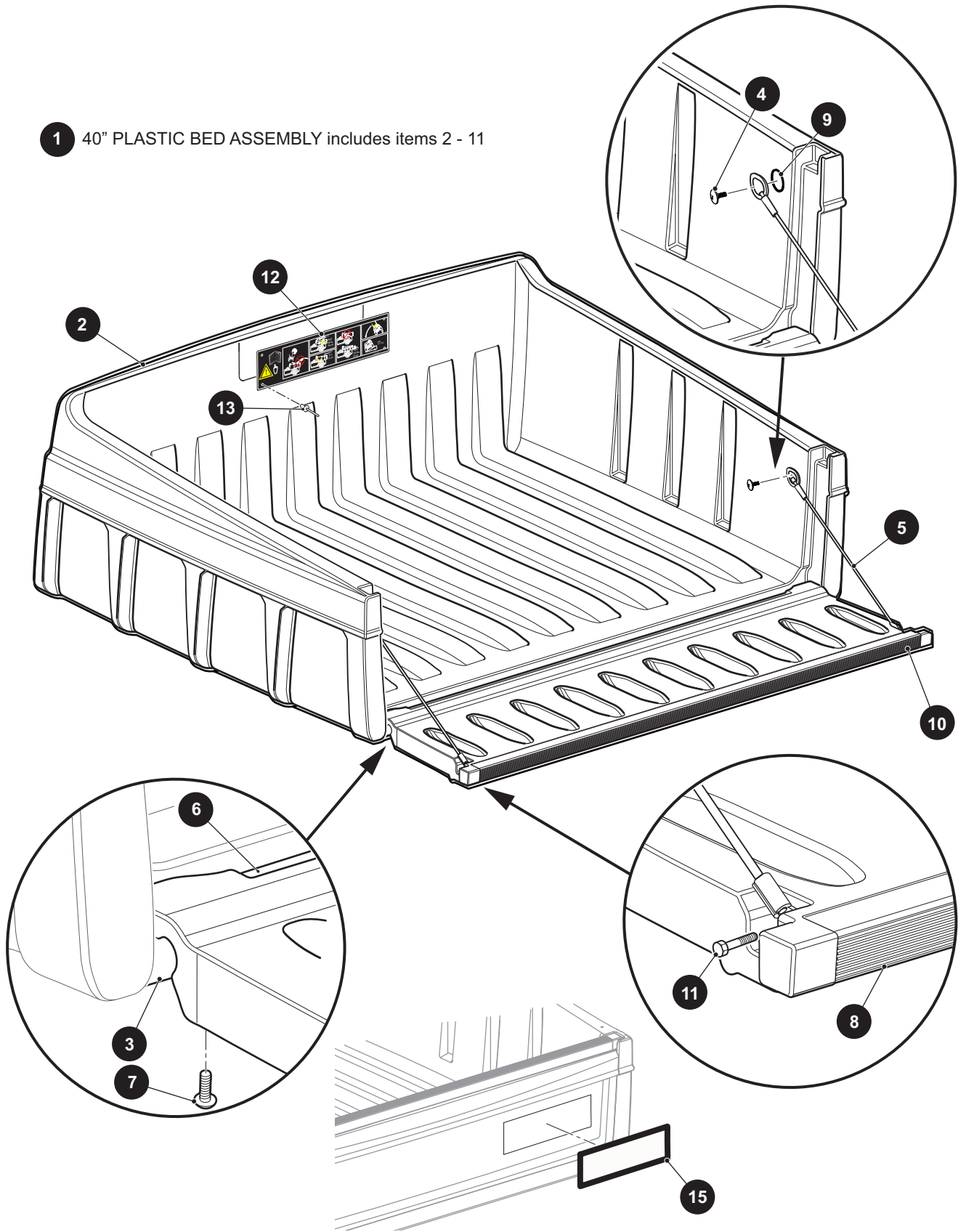






# TRUCK BED - PLASTIC

1 40" PLASTIC BED ASSEMBLY includes items 2 - 11



# TRUCK BED - PLASTIC

THE USE OF NON U.L. PARTS WILL VOID ANY U.L. LISTING.

When ordering parts, please specify the model and serial number of the product.

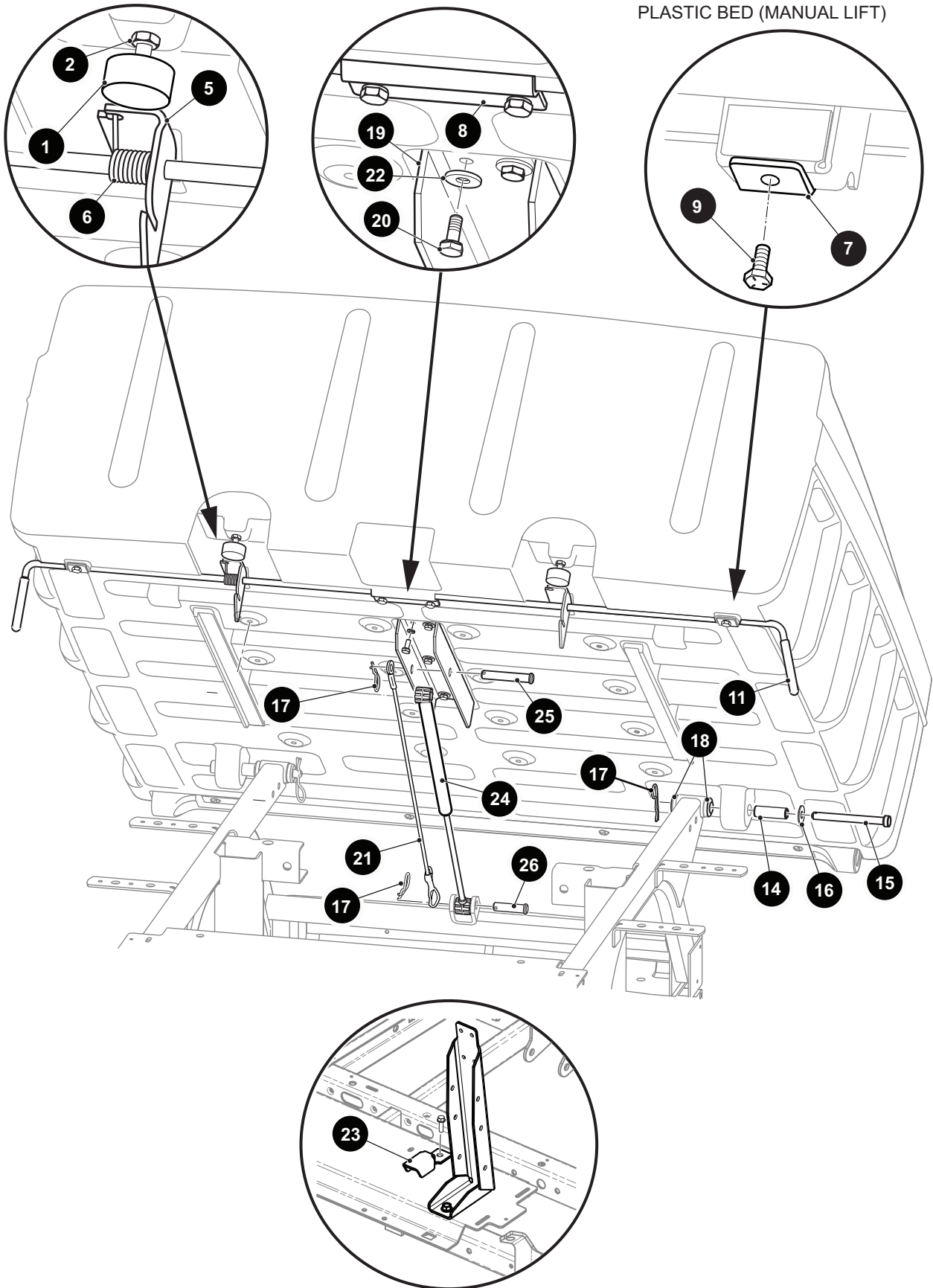
\* Indicates a component that is not available as an individual part.

\*\*\* Indicates consult Customer Service Department for additional information.

ITEM	PART NO.	1 2 3 4 5	DESCRIPTION	QTY.
1	73451G01		PLASTIC BED ASSEMBLY, 40" (INCLUDES ITEMS 2 - 11) .....	1
2	*		PLASTIC BED, 40" .....	1
3	73454G01		PIVOT SHAFT .....	2
4	73460G01		SHOULDER BOLT, 1/4" - 20 X 3/4" LG .....	2
5	73455G01		TAILGATE CABLE ASSEMBLY .....	2
6	73450G01		BOWED ANGLE .....	1
7	16705G2		PAN HEAD SCREW (SS), 1/4" - 20 X 5/8" LG .....	4
8	73449G01		EXTRUSION CHANNEL .....	1
9	71541G01		SPACER, O.D .375" X .12" LG .....	2
10	73448G01		TAILGATE ASSEMBLY .....	1
11	00415G2		HEX HEAD BOLT, 1/4" - 20 X 1 1/4" LG .....	2
12	74821G06		BED CAPACITY LABEL (400 LB) .....	1
13	71055G01		RIVET (ALUMINUM), 3/16" .....	4
14				
15	617804		TAILGATE DECAL .....	1

# TRUCK BED - PLASTIC

PLASTIC BED (MANUAL LIFT)



# TRUCK BED - PLASTIC

THE USE OF NON U.L. PARTS WILL VOID ANY U.L. LISTING.

When ordering parts, please specify the model and serial number of the product.

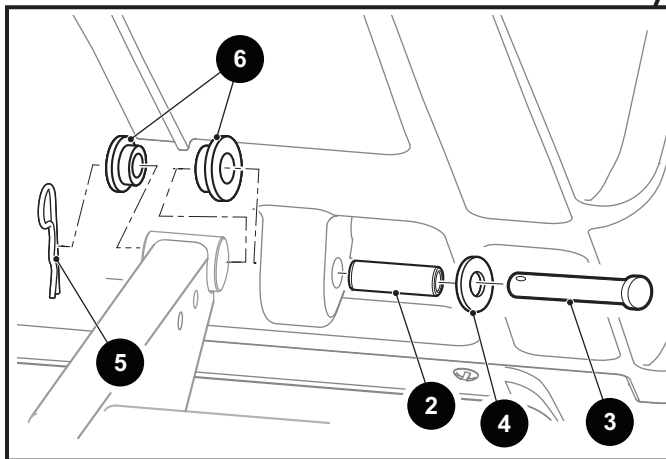
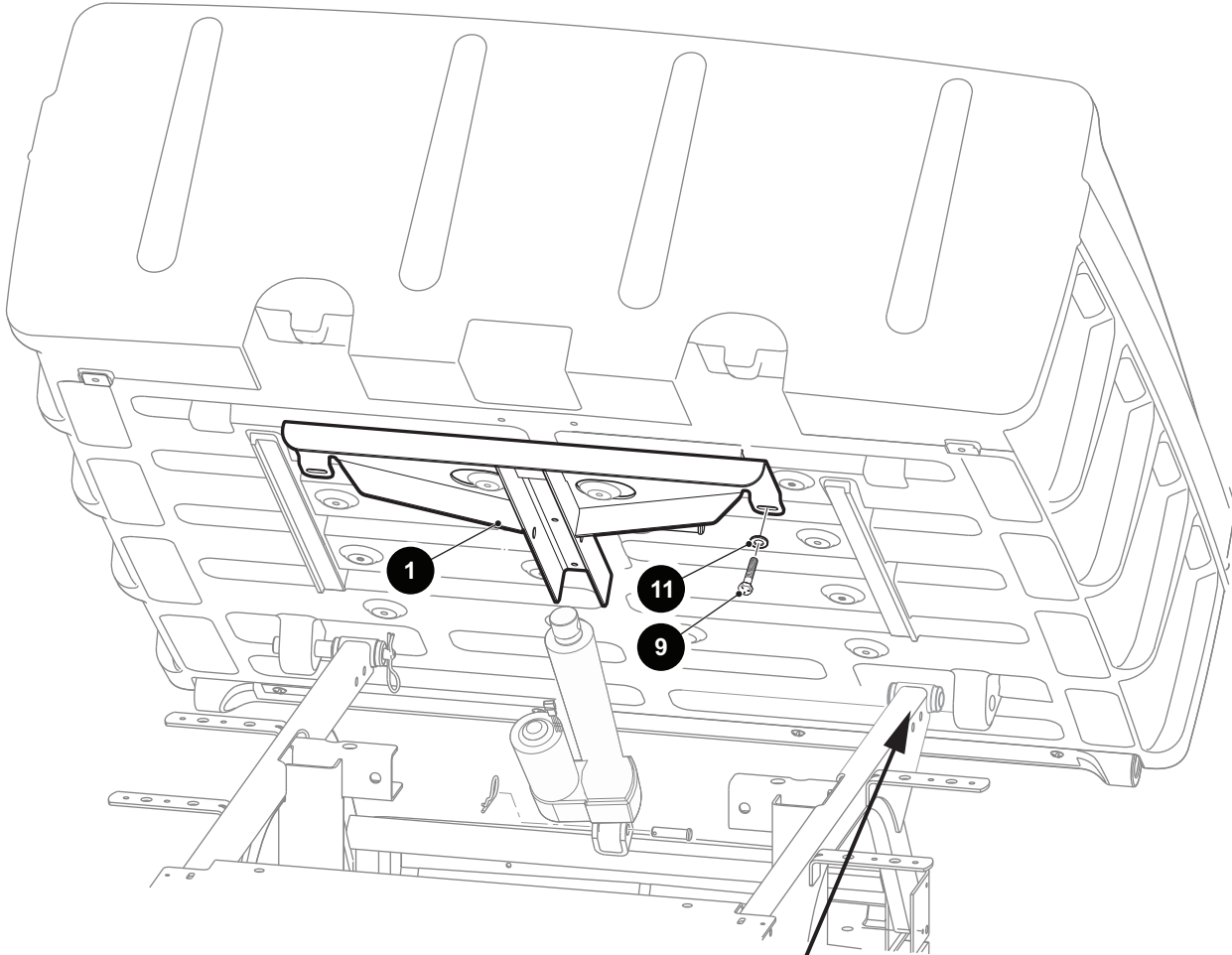
\* Indicates a component that is not available as an individual part.

\*\*\* Indicates consult Customer Service Department for additional information.

ITEM	PART NO.	1 2 3 4 5	DESCRIPTION	QTY.
1	70113G01		ADJUSTABLE RUBBER BUMPER .....	2
2	11027G1		LOCK NUT, 5/16" - 18 .....	2
3				
4				
5	74962G01		BED LATCH WELDMENT .....	1
6	71538G01		LATCH TORSION SPRING .....	1
7	71099G02		LATCH PLATE .....	2
8	71477G02		RETAINER BRACKET .....	1
9	01118G01		HEX HEAD BOLT, 1/4" - 20 X 5/8" LG .....	4
10				
11	71704G01		HANDLE GRIP .....	2
12				
13				
14	71570G01		ACETAL BUSHING, O.D .75" X 2.3" LG .....	2
15	71571G01		CLEVIS PIN, .50" X 5.25" LG .....	2
16	00571G5		FLAT WASHER, 5/16" .....	2
17	21683G1		COTTER PIN, 15/32" .....	4
18	624030		FLANGED BUSHING, O.D 24MM .....	4
19	71569G02		GAS SPRING CHANNEL .....	1
20	01118G01		HEX HEAD BOLT, 1/4" - 20 X 5/8" LG .....	6
21	602904		BED TETHER CABLE .....	1
22	00642G7		FLAT WASHER, 1/4" .....	6
23	74947G01		BUMPER BRACKET .....	2
24	71537G02		GAS SPRING .....	2
25	14443G10		CLEVIS PIN, .625" X 3" LG .....	1
26	14443G12		CLEVIS PIN, .625" X 2.2" LG .....	1

# TRUCK BED - PLASTIC

PLASTIC BED (ELECTRIC LIFT)



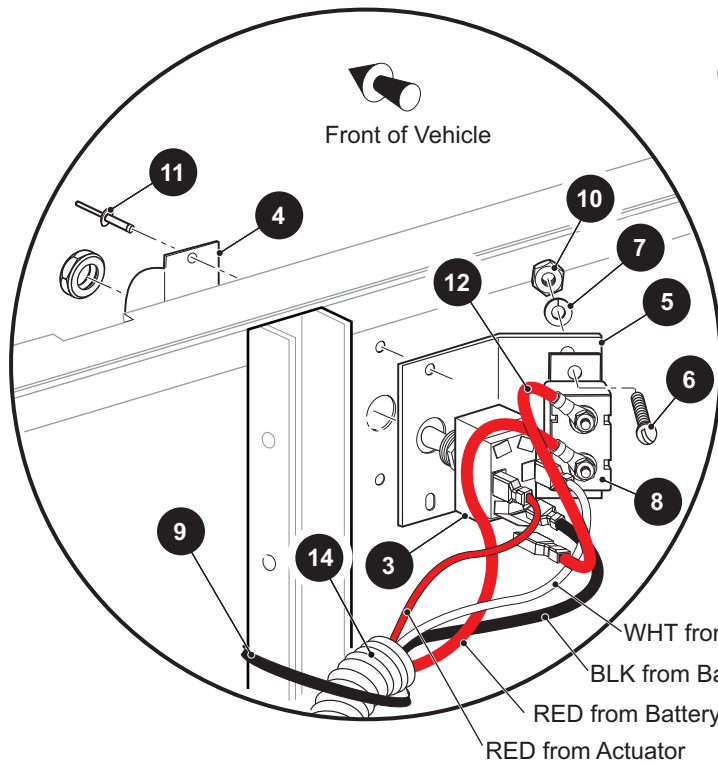
# TRUCK BED - PLASTIC

THE USE OF NON U.L. PARTS WILL VOID ANY U.L. LISTING.  
 When ordering parts, please specify the model and serial number of the product.  
 \* Indicates a component that is not available as an individual part.  
 \*\*\* Indicates consult Customer Service Department for additional information.

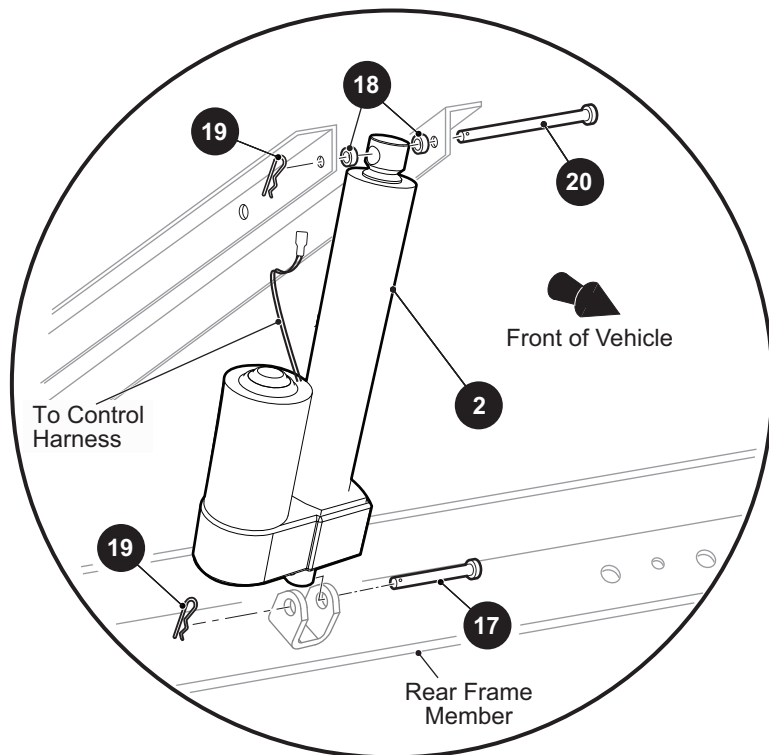
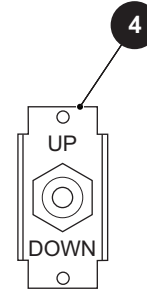
ITEM	PART NO.	1 2 3 4 5	DESCRIPTION	QTY.
1	71547G02		OUTRIGGER CHANNEL .....	1
2	71570G01		ACETAL BUSHING, O.D .75" X 2.3" LG .....	2
3	71571G01		CLEVIS PIN, .50" X 5.25" LG.....	2
4	00571G5		FLAT WASHER, 5/16".....	2
5	21683G1		COTTER PIN, 15/32".....	2
6	624030		FLANGED BUSHING, O.D 24MM .....	4
7				
8				
9	01118G01		HEX HEAD BOLT, 1/4" - 20 X 5/8" LG .....	8
10				
11	00642G7		FLAT WASHER, 1/4".....	8



# TRUCK BED - PLASTIC



**1** ELECTRIC DUMP KIT (PLASTIC BED)  
includes items 2 - 20





# TRUCK BED - PLASTIC

THE USE OF NON U.L. PARTS WILL VOID ANY U.L. LISTING.

When ordering parts, please specify the model and serial number of the product.

\* Indicates a component that is not available as an individual part.

\*\*\* Indicates consult Customer Service Department for additional information.

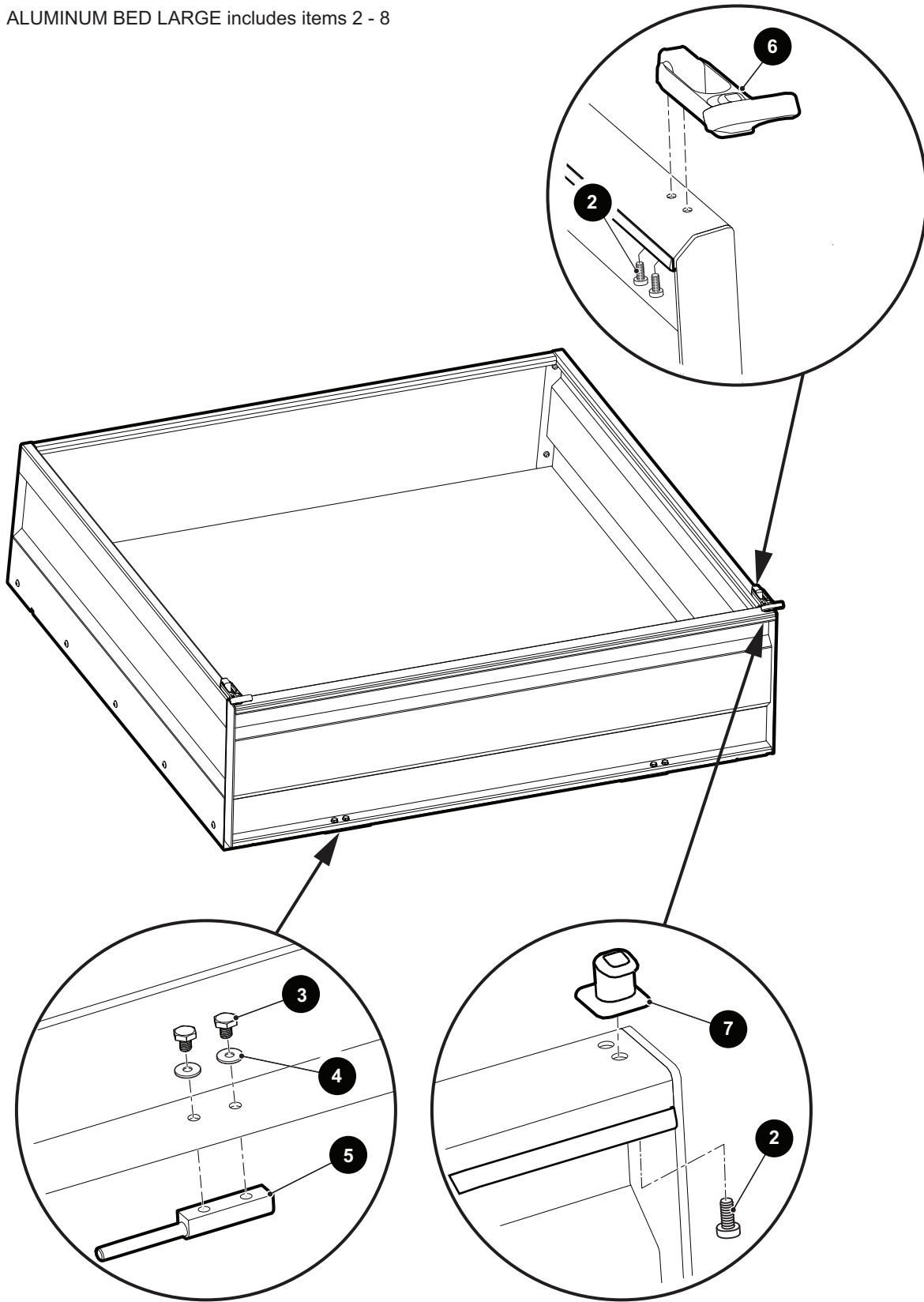
ITEM	PART NO.	1 2 3 4 5	DESCRIPTION	QTY.
1	634674		ELECTRIC DUMP KIT (PLASTIC BED) (INCLUDES ITEMS 2 - 20).....	1
2	27612G04		ELECTRIC ACTUATOR .....	1
3	27680G01		TOGGLE SWITCH.....	1
4	27447G01		TOGGLE GUARD.....	1
5	74165G02		CIRCUIT BREAKER MOUNTING BRACKET .....	1
6	00150G4		ROUND HEAD SLOTTED SCREW, #10 - 24 X 1/2" LG.....	2
7	00565G5		LOCK WASHER, #10 .....	2
8	21320G4		CIRCUIT BREAKER 15A, 24V .....	1
9	17618G1		CLAMP (NYLON) .....	8
10	00526G3		HEX NUT, #10 - 24 .....	2
11	10570G9		RIVET (ALUMINUM), 1/8" X 11/32" .....	2
12	25976G14		14 GA WIRE (RED 5").....	1
13				
14	74054G01		WIRE HARNESS (ELECTRIC DUMP) .....	1
15	00532G3		HEX NUT, 5/16" - 18 (NOT ILLUSTRATED).....	2
16	11845G3		INSULATED CABLE CLIP (NOT ILLUSTRATED).....	2
17	14443G11		CLEVIS PIN, .50" X 1.92" LG .....	1
18	27613G01		SPACER, .75" O.D. X .50" I.D. ....	2
19	21683G1		COTTER PIN, 15/32" X 2 11/16" .....	2
20	14443G10		CLEVIS PIN, .50" X 3" LG .....	1





# TRUCK BED - METAL

1 ALUMINUM BED LARGE includes items 2 - 8



# TRUCK BED - METAL

THE USE OF NON U.L. PARTS WILL VOID ANY U.L. LISTING.

When ordering parts, please specify the model and serial number of the product.

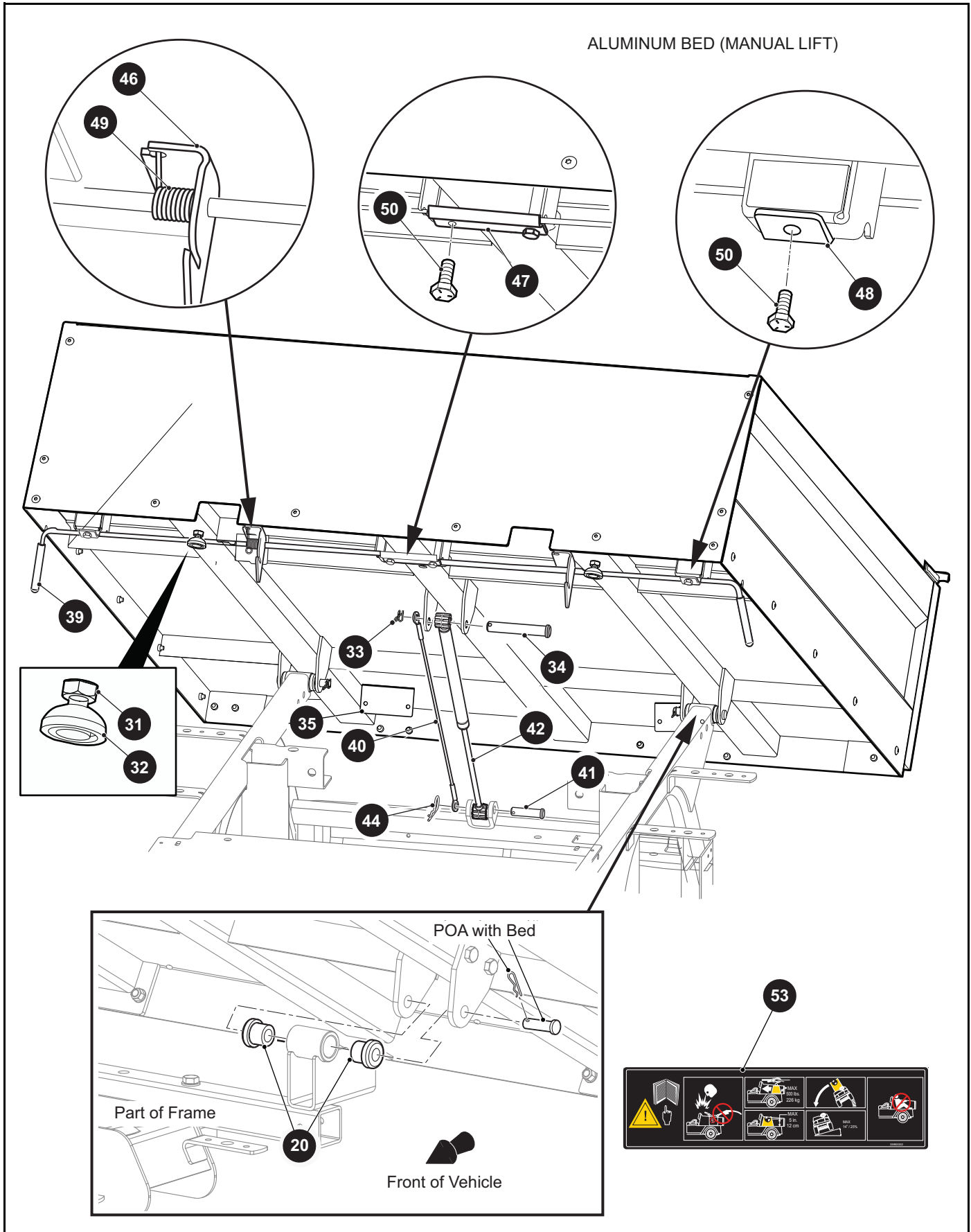
\* Indicates a component that is not available as an individual part.

\*\*\* Indicates consult Customer Service Department for additional information.

ITEM	PART NO.	1 2 3 4 5	DESCRIPTION	QTY.
1	640568		ALUMINUM BED, LARGE (INCLUDES ITEMS 2 - 8, 31 - 37) .....	1
2	612957		PAN HEAD SCREW, #10 - 24 X 1/2" LG.....	6
3	*		HEX HEAD BOLT, 1/4" - 20 X 3/8" LG.....	4
4	*		FLAT WASHER, 1/4" .....	4
5	612971		TAILGATE PIVOT PIN .....	2
6	612976		DRAW LATCH ASSEMBLY .....	2
7	612977		DRAW LATCH KEEPER.....	2
8				
9				
10				
11				
12				
13				
14				
15				
16				
17				
18				
19				
20				
21				
22				
23				
24				
25				
26				
27				
28				
29				
30				

# TRUCK BED - METAL

## ALUMINUM BED (MANUAL LIFT)



# TRUCK BED - METAL

THE USE OF NON U.L. PARTS WILL VOID ANY U.L. LISTING.

When ordering parts, please specify the model and serial number of the product.

\* Indicates a component that is not available as an individual part.

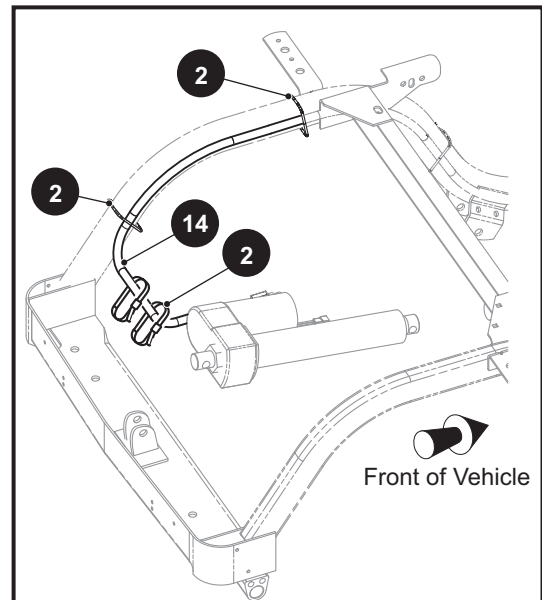
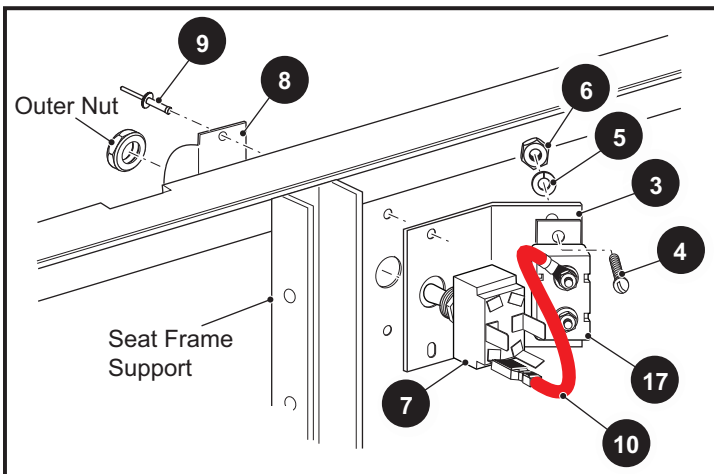
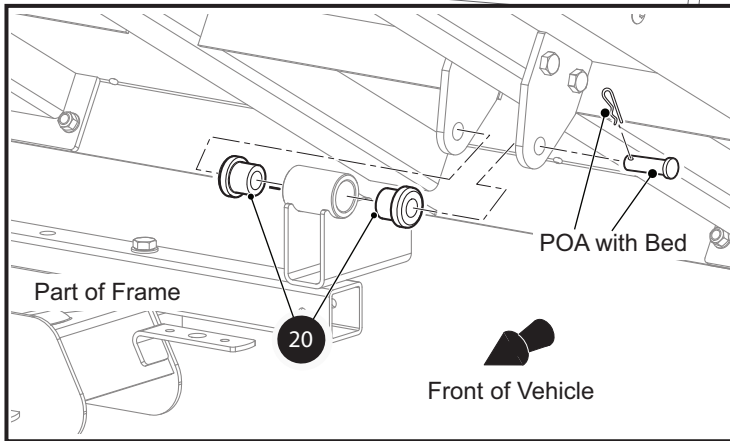
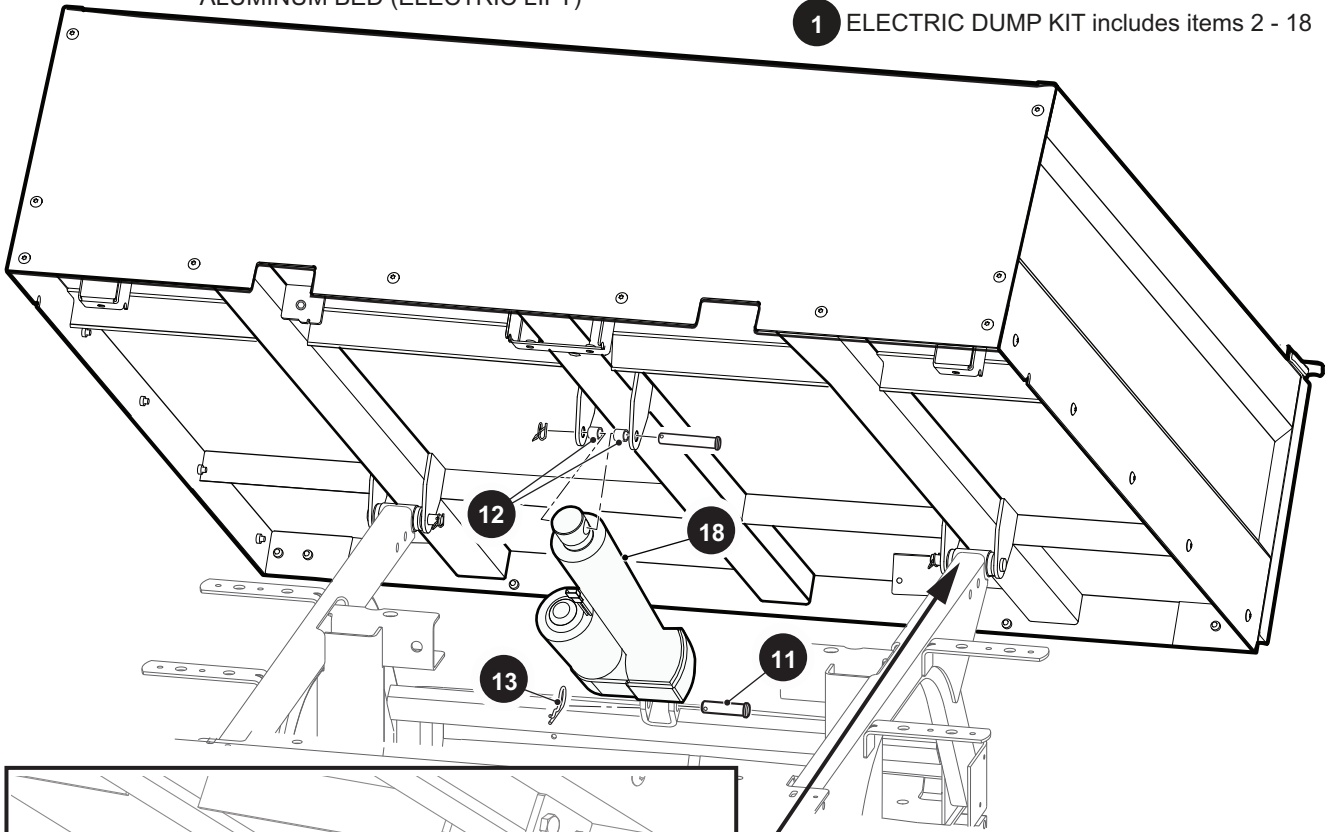
\*\*\* Indicates consult Customer Service Department for additional information.

ITEM	PART NO.	1 2 3 4 5	DESCRIPTION	QTY.
31	*		HEX NUT, .375" - 16.....	2
32	612974		LEVELING PAD.....	2
33	612973		RUE RING PIVOT CLIP.....	3
34	612965		CLEVIS PIN, 1/2" X 3" LG.....	3
35	*		HINGE SUPPORT.....	2
36	*		HEX HEAD BOLT, 5/16" - 18 X 7/8" LG (NOT ILLUSTRATED).....	1
37	*		HEX NUT, #10 - 24 (NOT ILLUSTRATED).....	2
38				
39	71704G01		HANDLE GRIP.....	2
40	602904		BED TETHER CABLE ASSEMBLY.....	1
41	14443G12		CLEVIS PIN, 5/16" X 1/2" LG.....	1
42	71537G02		GAS SPRING.....	1
43				
44	21683G1		COTTER PIN, 15/32".....	1
45				
46	74962G01		LATCH BED WELDMENT.....	1
47	71477G02		LATCH RETAINER BRACKET.....	1
48	71099G02		LATCH KEEPER PLATE.....	2
49	71538G01		LATCH TORSION SPRING.....	1
50	01118G01		HEX HEAD BOLT, 1/4" - 20 X 2.25" LG.....	4
51	624030		FLANGED BUSHING.....	4
52				
53	35980G02		BED LOAD DECAL, 500 LBS.....	1

# TRUCK BED - METAL

ALUMINUM BED (ELECTRIC LIFT)

1 ELECTRIC DUMP KIT includes items 2 - 18



**BAD BOY**  
BUGGIES



# TRUCK BED - METAL

THE USE OF NON U.L. PARTS WILL VOID ANY U.L. LISTING.

When ordering parts, please specify the model and serial number of the product.

\* Indicates a component that is not available as an individual part.

\*\*\* Indicates consult Customer Service Department for additional information.

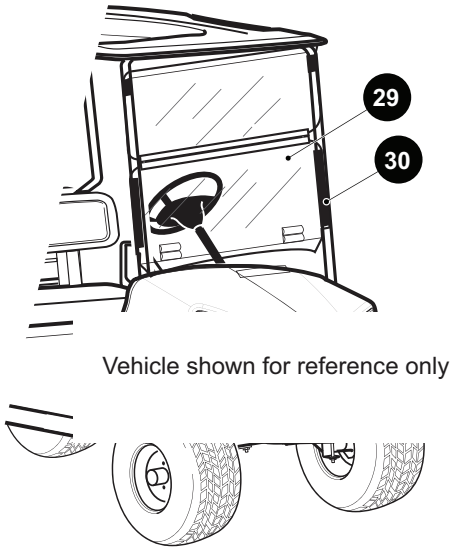
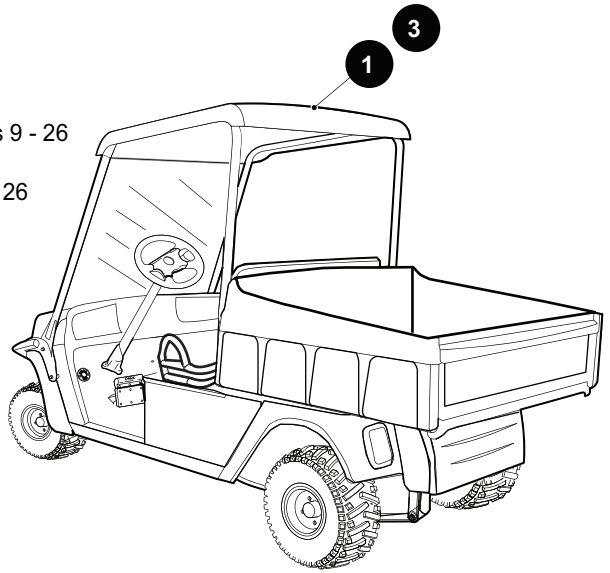
ITEM	PART NO.	1 2 3 4 5	DESCRIPTION	QTY.
1	634675		ELECTRIC DUMP KIT (ALUMINUM BED) (INCLUDES ITEMS 2 - 18) .....	1
2	17618G1		NYLON CLAMP .....	8
3	74165G02		CIRCUIT BREAKER MOUNTING BRACKET .....	1
4	00150G4		SLOTTED HEAD BOLT, #10 - 24 X 1/2" LG.....	2
5	00565G5		LOCK WASHER, #10 .....	2
6	00526G3		HEX NUT, #10 - 24 .....	2
7	27680G01		TOGGLE SWITCH.....	1
8	27447G01		TOGGLE GUARD ASSEMBLY.....	1
9	10570G9		RIVET (ALUMINUM), 1/8" .....	2
10	25976G14		14 GA WIRE (RED 5").....	1
11	14443G11		CLEVIS PIN, 1/2" X 1 3/4" LG .....	1
12	27613G01		SPACER O.D .75" X I.D .50", .....	2
13	21683G1		COTTER PIN, 15/32" .....	1
14	74054G01		ELECTRIC DUMP HARNESS.....	1
15	11845G3		INSULATED CABLE CLAMP, 11/16" (NOT ILLUSTRATED).....	2
16	00532G3		HEX NUT, 5/16" - 18 (NOT ILLUSTRATED).....	2
17	21320G4		CIRCUIT BREAKER (30 A, 12V).....	1
18	27612G04		ELECTRIC ACTUATOR .....	1
19				
20	624030		FLANGED BUSHING.....	4
21	630935		DECAL, ALUMINUM TAILGATE .....	1



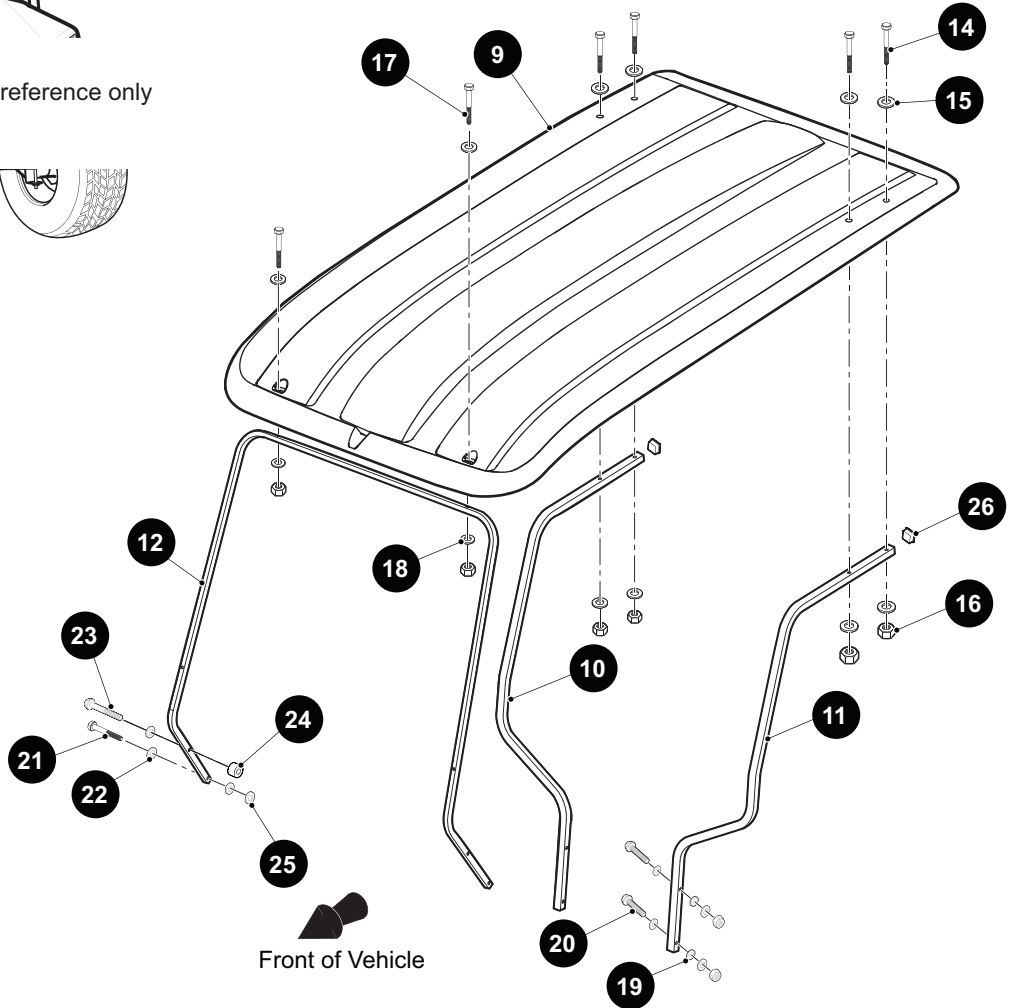


# WEATHER PROTECTION OPTIONS

- 1 CANOPY STRUTS KIT includes item 2
- 8 CANOPY TOP TERRAIN KIT, BLACK includes items 9 - 26
- 13 CANOPY TOP HARDWARE KIT includes items 14 - 26
- 29 SPLIT WINDSHIELD KIT includes item 30



Vehicle shown for reference only



## WEATHER PROTECTION OPTIONS

THE USE OF NON U.L. PARTS WILL VOID ANY U.L. LISTING.

When ordering parts, please specify the model and serial number of the product.

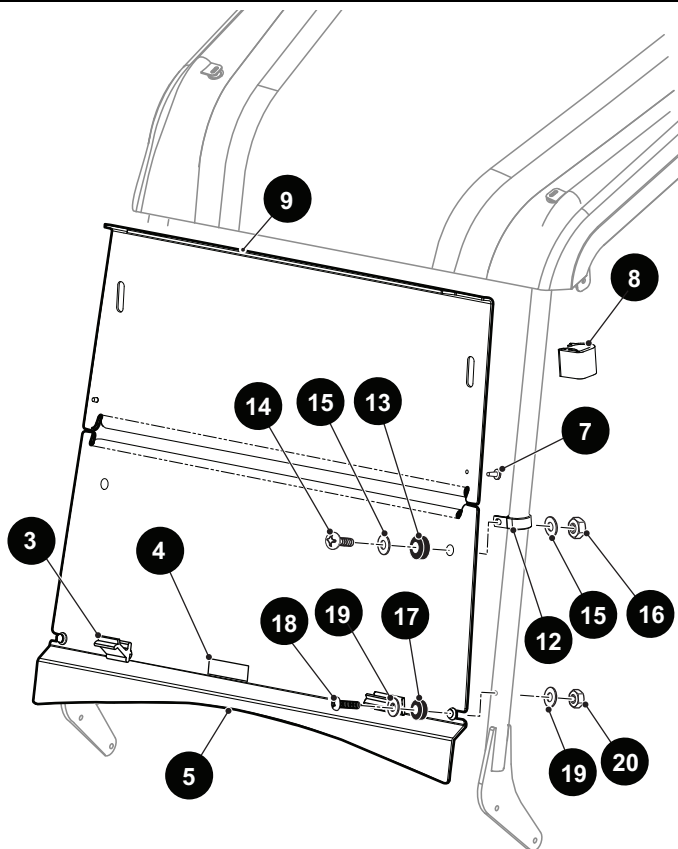
\* Indicates a component that is not available as an individual part.

\*\*\* Indicates consult Customer Service Department for additional information.

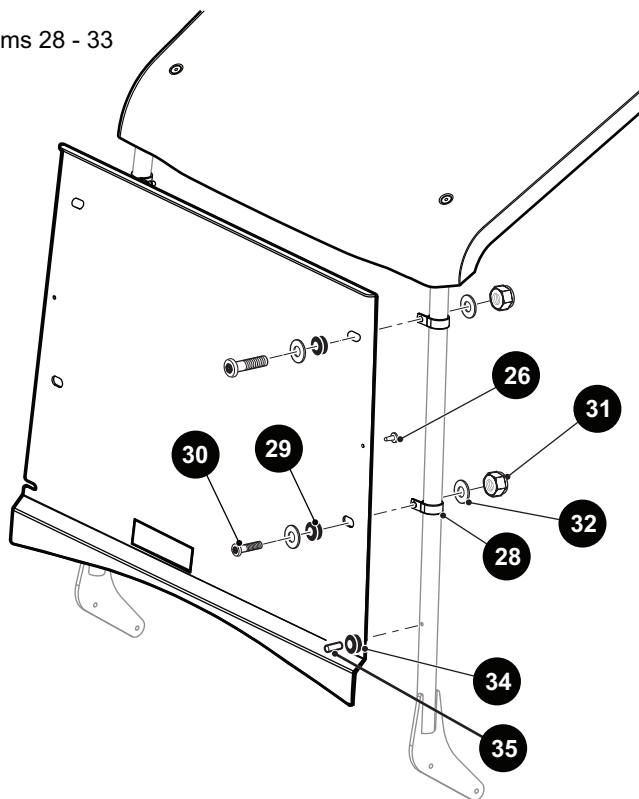
ITEM	PART NO.	1 2 3 4 5	DESCRIPTION	QTY.
1	638362		CANOPY STRUTS KIT (INCLUDES ITEM 2) .....	1
2	624119		HARDWARE KIT (NOT ILLUSTRATED) .....	1
3	639612		CANOPY ASSEMBLY REINFORCED (BLACK).....	1
4				
5				
6				
7				
8	646660		CANOPY TOP TERRAIN KIT, BLACK (INCLUDES ITEMS 9 - 26).....	1
9	607258		CANOPY TOP, BLACK .....	1
10	646148G02		REAR STRUT (PASSENGER SIDE) .....	1
11	646148G01		REAR STRUT (DRIVER SIDE).....	1
12	75488G01		FRONT STRUT.....	1
13	646661		CANOPY TOP HARDWARE KIT (INCLUDES ITEMS 14 - 26) .....	1
14	00685G11		HEX HEAD BOLT, 5/16" - 18 X .875" LG .....	4
15	00907G2		FLAT WASHER (SS), 5/16".....	18
16	11098G6		LOCK NUT, 5/16" - 18 .....	10
17	00685G10		HEX HEAD BOLT (SS), 5/16" - 18 X 7/8" LG.....	2
18	00660G8		FLAT WASHER (SS), 5/16" .....	2
19	00771G5		NYLON WASHER, 3/8" .....	4
20	630804G01		FLANGED HEX HEAD BOLT, 5/16" - 18 X 2" LG .....	4
21	00440G2		HEX HEAD BOLT, 5/16" - 18 X 2 1/4" LG .....	2
22	00565G8		LOCK WASHER, 5/16".....	4
23	01035G02		HEX HEAD BOLT, 5/16" - 18 X 2.5" LG .....	2
24	75048G01		SPACER, .328 "X .750" X .50".....	2
25	00879G1		FLAT WASHER, 3/8" .....	4
26	19853G1		TUBE CAP, 1" SQ .....	2
27				
28				
29	607255		SPLIT WINDSHIELD KIT (INCLUDES ITEM 30).....	1
30	615661		WINDSHIELD SASH, 12" .....	2

# WEATHER PROTECTION OPTIONS

- 1 SPLIT WINDSHIELD, KIT CLIP ON (INCLUDES ITEMS 2, 11)
- 2 SPLIT WINDSHIELD ASSEMBLY (INCLUDES ITEMS 3 - 9)
- 11 HARDWARE KIT, SPLIT WINDSHIELD (INCLUDES ITEMS 12 - 20)



- 25 FULL WINDSHIELD KIT includes items 26, 27
- 27 FULL WINDSHIELD HARDWARE KIT includes items 28 - 33
- 33 GROMMET ASSEMBLY includes items 34, 35



## WEATHER PROTECTION OPTIONS

THE USE OF NON U.L. PARTS WILL VOID ANY U.L. LISTING.

When ordering parts, please specify the model and serial number of the product.

\* Indicates a component that is not available as an individual part.

\*\*\* Indicates consult Customer Service Department for additional information.

ITEM	PART NO.	1 2 3 4 5	DESCRIPTION	QTY.
1	638372		SPLIT WINDSHIELD KIT, CLIP ON (INCLUDES ITEMS 2, 11).....	1
2	638120		SPLIT WINDSHIELD ASSEMBLY (INCLUDES ITEMS 3 - 9) .....	1
3	603201		LOWER WINDSHIELD LATCH .....	2
4	71963G01		DECAL .....	1
5	638054		LOWER SPLIT WINDSHIELD .....	1
6	638070		HINGE.....	1
7	604115		GROMMET .....	2
8	619621		UPPER WINDSHIELD LATCH.....	2
9	638053		UPPER SPLIT WINDSHIELD .....	1
10				
11	625928		HARDWARE KIT, SPLIT WINDSHIELD (INCLUDES ITEMS 12 - 20).....	1
12	619078		TUBE CLAMP, 1.5" DIA.....	2
13	604116		FASTENER GROMMET .....	2
14	619082		PAN HEAD BOLT, 3/8" - 16 X 1 1/2" LG .....	2
15	11098G5		LOCK NUT, 3/8" - 16 .....	2
16	306981		FLAT WASHER, 3/8" .....	4
17	624780		GROMMET, 1/4" .....	2
18	00753G7		TRUSS HEAD PHILLIP SCREW, 1/4" - 20 X 2.5" LG .....	2
19	00650G7		FLAT WASHER, 1/4" .....	4
20	00550G1		HEX NUT, 1/4" - 20 .....	2
21				
22				
23				
24				
25	625931		FULL WINDSHIELD KIT, CLIP - ON (INCLUDES ITEMS 26, 27) .....	1
26	604115		GROMMET.....	2
27	625929		HARDWARE KIT, FULL WINDSHIELD (INCLUDES ITEMS 28 - 33) .....	1
28	*		TUBE CLAMP, 1.5" DIA.....	4
29	*		FASTENER GROMMET.....	4
30	*		PAN HEAD BOLT, 3/8" - 16 X 1 1/2" LG .....	4
31	*		LOCK NUT, 3/8" - 16 .....	4
32	*		FLAT WASHER, 3/8" .....	8

# WEATHER PROTECTION OPTIONS

THE USE OF NON U.L. PARTS WILL VOID ANY U.L. LISTING.

When ordering parts, please specify the model and serial number of the product.

\* Indicates a component that is not available as an individual part.

\*\*\* Indicates consult Customer Service Department for additional information.

ITEM	PART NO.	1	2	3	4	5	DESCRIPTION	QTY.
33	*						GROMMET ASSEMBLY, 1/4" (INCLUDES ITEMS 34, 35) .....	2
34	*						GROMMET, 1/4" .....	1
35	*						SLEEVE, 1/4" .....	1

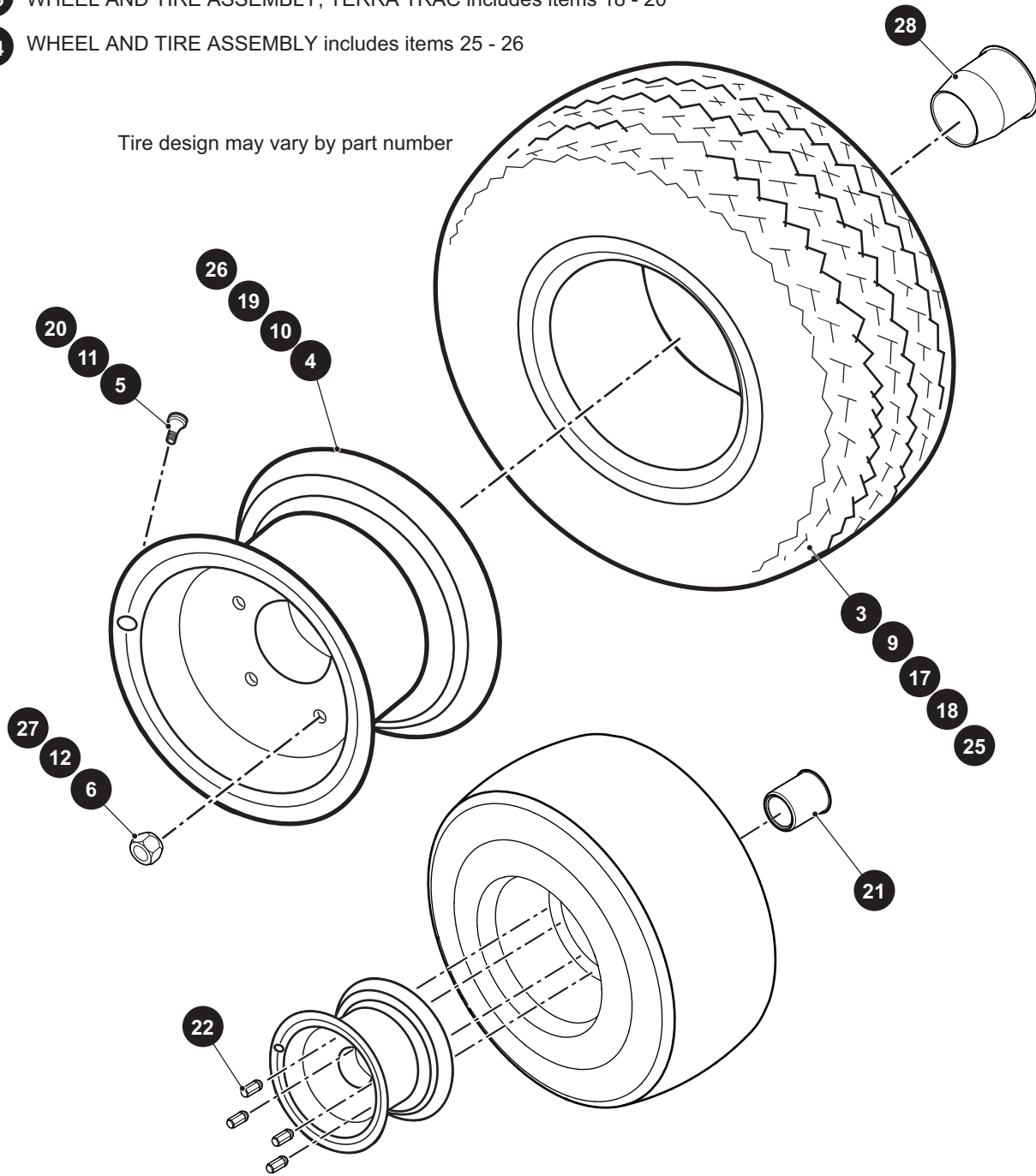




# WHEELS AND TIRES

- 1 WHEEL AND TIRE ASSEMBLY, STRYKER includes items 3 - 5
- 2 WHEEL AND TIRE ASSEMBLY, STRYKER includes items 3 - 5
- 8 WHEEL AND TIRE ASSEMBLY, BLACK RIM includes items 9 - 11
- 14 WHEEL AND TIRE ASSEMBLY (FRONT), PATHFINDER includes items 17, 19 - 20
- 15 WHEEL AND TIRE ASSEMBLY (REAR), PATHFINDER includes items 17, 19 - 20
- 16 WHEEL AND TIRE ASSEMBLY, TERRA TRAC includes items 18 - 20
- 24 WHEEL AND TIRE ASSEMBLY includes items 25 - 26

Tire design may vary by part number



# WHEELS AND TIRES

THE USE OF NON U.L. PARTS WILL VOID ANY U.L. LISTING.

When ordering parts, please specify the model and serial number of the product.

\* Indicates a component that is not available as an individual part.

\*\*\* Indicates consult Customer Service Department for additional information.

ITEM	PART NO.	1 2 3 4 5	DESCRIPTION	QTY.
1	28630G04		WHEEL AND TIRE ASSEMBLY, STRYKER (INCLUDES ITEMS 3 - 5) .....	1
2	28630G05		WHEEL AND TIRE ASSEMBLY, STRYKER (INCLUDES ITEMS 3 - 5) .....	1
3	28630G01		TIRE (22 X 9 - 10) .....	1
4	15172G02		WHEEL .....	1
5	11657G1		VALVE STEM.....	1
6	14723G1		LUG NUT, 1/2" - 20 .....	8
7				
8	28442G03		WHEEL AND TIRE ASSEMBLY, BLACK RIM (INCLUDES ITEMS 9 - 11).....	1
9	28442G02		TIRE, TURF (20 X 10 - 10).....	1
10	15172G02		WHEEL .....	1
11	11657G1		VALVE STEM.....	1
12	14723G1		LUG NUT, 1/2" - 20 .....	8
13				
14	604930		WHEEL AND TIRE ASSEMBLY (FRONT), PATHFINDER (INCLUDES ITEMS 17, 19 - 20) .....	2
15	605228		WHEEL AND TIRE ASSEMBLY (REAR), PATHFINDER (INCLUDES ITEMS 17, 19 - 20) .....	2
16	608914		WHEEL AND TIRE ASSEMBLY, TERRA TRAC (INCLUDES ITEMS 18 - 20) .....	4
17	604928		TIRE, PATHFINDER (22 X 11) .....	1
18	606141		TIRE, TERRA TRAC (22 X 11 X 10).....	1
19	604927		SPOKED WHEEL .....	1
20	604915		VALVE STEM.....	1
21	601353		WHEEL CAP .....	4
22	605310		LUG NUT (CHROME), 1/2" - 20 .....	16
23				
24	644592		WHEEL AND TIRE ASSEMBLY (INCLUDES ITEMS 25 - 26).....	1
25	629713		TIRE, BACKLASH (23 X 10.5 - 12) .....	1
26	631041		WHEEL .....	1
27	14723G1		LUG NUT, 1/2" - 20 .....	8
28	630268		WHEEL CAP .....	4







**Textron Specialized Vehicles, Inc.**  
1451 Marvin Griffin Road  
Augusta, Georgia 30906-3852 USA

CONTACT US:

North America:

**Technical Assistance & Warranty  
Service Parts**

Phone: 1-800-774-3946, FAX: 1-800-448-8124

Phone: 1-888-438-3946, FAX: 1-800-752-6175

International:

Phone: 001-706-798-4311, FAX: 001-706-771-4609

Service Parts Manuals, as well as Repair and Service Manuals  
are available from a local Distributor, an authorized Branch,  
Parts & Accessories Department or at [www.badboyoffroad.com](http://www.badboyoffroad.com).

Copyrighted Material

This manual may not be reproduced in whole  
or in part without the express permission of  
TSV Technical Communications Department