



**CUSHMAN<sup>®</sup>**  
**LET'S WORK.<sup>®</sup>**

# **HAULER 800**

## **Service Parts Manual**

666423-G  
ISSUED MARCH 2018

REVISED AUGUST 2019



# SERVICE PARTS MANUAL

## ELECTRIC POWERED VEHICLE

**HAULER 800**

**STARTING MODEL YEAR 2018**

Never modify the vehicle in any way that will alter the weight distribution of the vehicle, decrease its stability or increase the speed beyond the factory specifications. Such modifications can cause serious personal injury or death. Textron Specialized Vehicles (TSV) prohibits and disclaims responsibility for any such modifications or any other alteration which would adversely affect the safety of the vehicle.

TSV reserves the right to incorporate engineering and design changes to products in this manual, without obligation to include these changes on units sold previously.

The information contained in this manual may be revised periodically by TSV, and therefore is subject to change without notice.

TSV DISCLAIMS LIABILITY FOR ERRORS IN THIS MANUAL, and SPECIFICALLY DISCLAIMS LIABILITY FOR INCIDENTAL AND CONSEQUENTIAL DAMAGES resulting from the use of the information and materials in this manual.

These are the original instructions as defined by 2006/42/EC.

### TO CONTACT US:

Textron Specialized Vehicles, Inc.  
1451 Marvin Griffin Road  
Augusta, Georgia, USA 30906-3852

### NORTH AMERICA:

Technical Assistance & Warranty PHONE: 1-800-774-3946, FAX: 1-800-448-8124

Service Parts PHONE: 1-888-438-3946, FAX: 1-800-752-6175

International: PHONE: 001-706-798-4311, FAX: 001-706-771-4609

[cushmancomm@textron.com](mailto:cushmancomm@textron.com)

## GENERAL INFORMATION

To obtain a copy of the limited warranty applicable to the vehicle, call or write a local Distributor, authorized Branch or the Warranty Department with vehicle serial number and manufacturer code.

The use of non Original Equipment Manufacturer (OEM) approved parts may void the warranty.

Failure to properly maintain batteries may void the warranty. Refer to the battery manual for instructions on the proper maintenance and care of the batteries.

### BATTERY PROLONGED STORAGE

Batteries self-discharge over time. The rate of self-discharge varies depending on the ambient temperature, the age and condition of the batteries.

Fully charged batteries will not freeze in winter temperatures unless the temperature falls below -75°F (-60°C).

For winter storage, the batteries must be clean, fully charged and disconnected from any source of electrical drain.

The battery charger may remain connected to the vehicle to maintain a full charge on the batteries, provided the charger is plugged into an active electrical source. If power to the electrical source is disconnected or interrupted, the battery charger continues to check the charge on the battery pack. This pulls power from the battery pack and eventually drains the batteries if power is not restored in a timely manner.

As with all electric vehicle, the batteries must be checked and recharged as required or at a minimum of 30 day intervals.

Check and maintain the proper fluid level in all battery cells during the storage period.

Proper fluid level is required for maximum battery performance.

### BATTERY DISPOSAL

Lead-acid batteries are recyclable. Return whole scrap batteries to distributor, manufacturer or lead smelter for recycling. For neutralized spills, place residue in acid-resistant containers with absorbent material such as sand. Dispose in accordance with local, state and federal regulations for acid and lead compounds. Contact local and/or state environmental officials regarding disposal information.



# TABLE OF CONTENTS

<b>SECTION</b>	<b>Page No.</b>
HOW TO USE THE SERVICE PARTS MANUAL .....	v
ACCELERATOR .....	A
BATTERY CHARGER .....	B
BODY.....	C
BRAKES .....	D
CAB .....	E
ELECTRICAL SYSTEM .....	F
ELECTRONIC SPEED CONTROL .....	G
FRONT SUSPENSION .....	H
MOTOR .....	J
REAR AXLE .....	K
REAR SUSPENSION .....	L
SEATING.....	M
TRUCK BED .....	N
WEATHER PROTECTION .....	P
WHEELS AND TIRES .....	R
DECALS AND LABELS .....	S



# HOW TO USE THE SERVICE PARTS MANUAL

This manual is divided into several sections:

- GENERAL INFORMATION
- ILLUSTRATED PARTS BREAKDOWN

The first section, GENERAL INFORMATION, contains the following information:

- WARRANTY INFORMATION
- GENERAL INDEX
- HOW TO USE THE SERVICE PARTS MANUAL

The second section, ILLUSTRATED PARTS BREAKDOWN, contains illustrations and parts lists for all systems of your vehicle.

The third section, APPENDIX, contains a listing of specialty products and accessories.

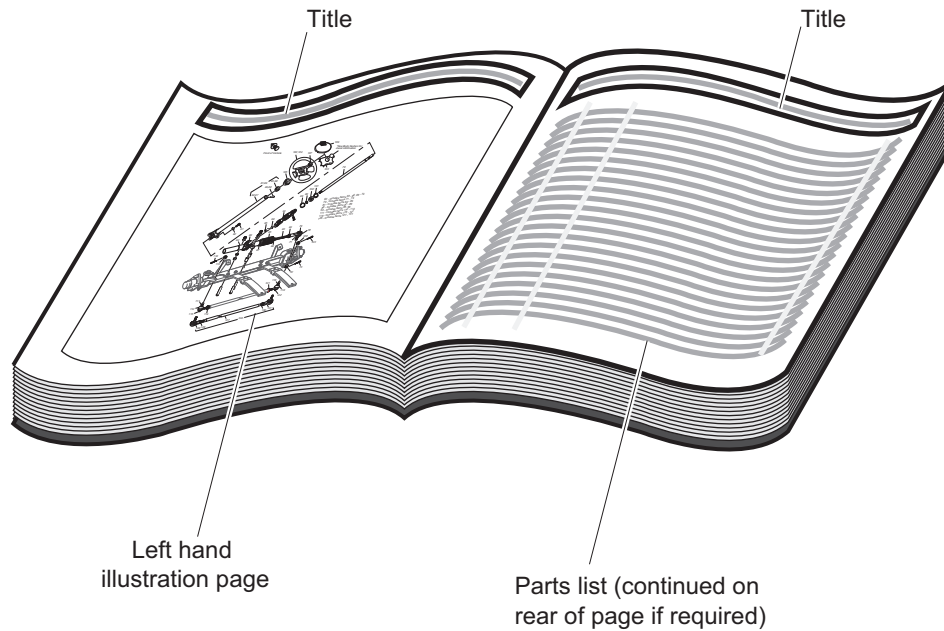
## USE OF THE MANUAL

To use this manual, consult the TABLE OF CONTENTS to locate the information or illustration required.

Introduction of some revisions varies due to supply of components; therefore, it is possible that various combinations of components may be found that are not directly reflected by each illustration. Consult the illustration that best suits your situation and then contact the Service Parts Department. It is important that the serial number of your vehicle and its model number be supplied to Service Parts when ordering any replacement components.

Locate the serial number plate (see BODY located in the Illustrated Parts Breakdown section of this manual for its location) and note the complete number shown on the plate.

# HOW TO USE THE SERVICE PARTS MANUAL



## 1. WHEN THE PART NUMBER IS NOT KNOWN

- Determine the function and application of the part required. Turn to the General Index and select the most appropriate title.
- Turn to the page number indicated and locate the desired part on the illustration.
- From the illustration, obtain the item number assigned to the desired part. Refer to the accompanying description for specific information regarding the part.

## 2. IF YOU KNOW THE PART NUMBER

- Locate the part number or description in the appropriate column on the parts list page.

NOTE: Confirm the part selected is correct by verifying it with the illustration.

If an asterisk (\*) appears in the part number column on the parts list page, read upward until a part number is found. The part number is the lowest assembly sold by Service Parts and the asterisk (\*) indicates the part depicted is not available for purchase.

NOTE: Descriptions are indented under the assembly that they are used on. That assembly is, in turn listed under the assembly that it is used on. This process is repeated until the highest final assembly is reached.

**To facilitate the maintenance and repair of the vehicle, a Technician's Repair and Service Manual is available from the Service Parts Department.**

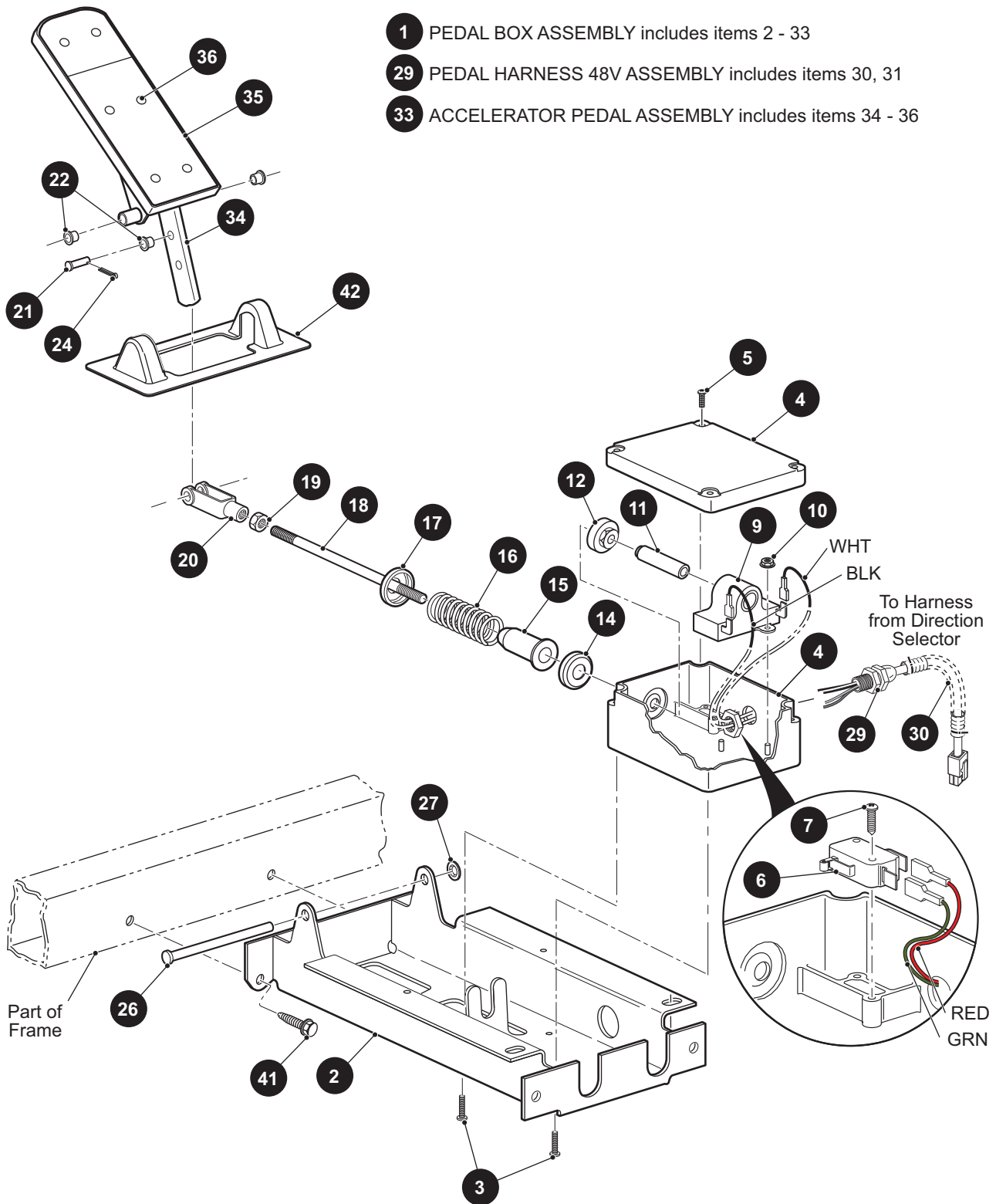
# HOW TO USE THE SERVICE PARTS MANUAL

## 3. COLOR CODE FOR BODY COMPONENTS

The last two digits of the part number for the body part will denote the color code, locate the part number for the cowl, rear body, seat pod, side panel or seat wrap then locate your color in the list below, replace the last \*\* or XX with the two digit color code.

<b><u>CODE #</u></b>	<b><u>DESCRIPTION</u></b>
11	BLACK
19	PATRIOT BLUE PEARL
20	INFERNO RED METALLIC
26	STEEL BLUE PEARL
31	METALLIC CHARCOAL
35	SAFETY YELLOW
36	IVORY
37	FOREST GREEN
38	BRIGHT WHITE
39	FLAME RED
41	ELECTRIC BLUE
42	PLATINUM
43	BURGUNDY
44	ALMOND
51	SUNBURST ORANGE
52	BRITISH RACING GREEN
69	MONSTER GREEN
72	MATTE BLACK
73	MATTE GREEN
74	BARLEY GOLD
75	OASIS GREEN
76	JAVA BROWN
78	REAL TREE XTRA DIPPED
79	JACOBSEN ORANGE 172
82	NEW HOLLAND BLUE

# ACCELERATOR



# ACCELERATOR

THE USE OF NON U.L. PARTS WILL VOID ANY U.L. LISTING.

When ordering parts, please specify the model and serial number of the product.

\* Indicates a component that is not available as an individual part.

\*\*\* Indicates consult Customer Service Department for additional information.

ITEM	PART NO.	1 2 3 4 5	DESCRIPTION	QTY.
1	613163		PEDAL BOX ASSEMBLY (INCLUDES ITEMS 2 - 33) .....	1
2	652241G03		ACCELERATOR PEDAL BRACKET .....	1
3	01051G01		PAN HEAD PHILLIPS SCREW, #8 - 10 X 1/2" LG .....	4
4	25853G01		PEDAL BOX AND COVER .....	1
5	00684G6		TRUSS HEAD PHILLIPS SCREW (SS), #8 - 32 X 3/4" LG .....	2
6	25861G01		MICRO SWITCH .....	1
7	01050G01		PAN HEAD TORX SCREW, #4 - 20 X 5/8" LG .....	2
8				
9	25854G01		INDUCTIVE THROTTLE SENSOR .....	1
10	00983G01		SELF THREADING NUT, .187" DIA .....	2
11	602484		PLUNGER AND SLEEVE ASSEMBLY .....	1
12	28444G01		ACCELERATOR ROD CAM .....	1
13				
14	17677G1		SPRING RETAINER .....	1
15	17979G1		BUSHING, .75" DIA .....	1
16	73046G01		COMPRESSION SPRING .....	1
17	17677G2		SPRING RETAINER, 3/8" I.D. ....	1
18	73332G01		ACCELERATOR ROD .....	1
19	00532G4		HEX NUT, 1/4" - 20 .....	1
20	10385G4		CLEVIS YOKE (ADJUSTABLE) .....	1
21	10386G3		CLEVIS PIN, 5/16" X 13/16" LG .....	1
22	17838G1		NYLON BUSHING, .37" O.D. X.31" I.D. ....	3
23				
24	10387G3		COTTER PIN, 3/32" X 3/4" LG .....	1
25				
26	74432G01		PEDAL PIVOT PIN .....	1
27	12064G6		PUSH NUT, 5/16" .....	1
28				
29	620418		PEDAL HARNESS 48V (INCLUDES ITEMS 30, 31) .....	1
30	17313G1		FLEX LOOM, 3/8" X 6" LG .....	1
31	17618G1		NYLON CLAMP (NOT ILLUSTRATED) .....	2

# ACCELERATOR

THE USE OF NON U.L. PARTS WILL VOID ANY U.L. LISTING.

When ordering parts, please specify the model and serial number of the product.

\* Indicates a component that is not available as an individual part.

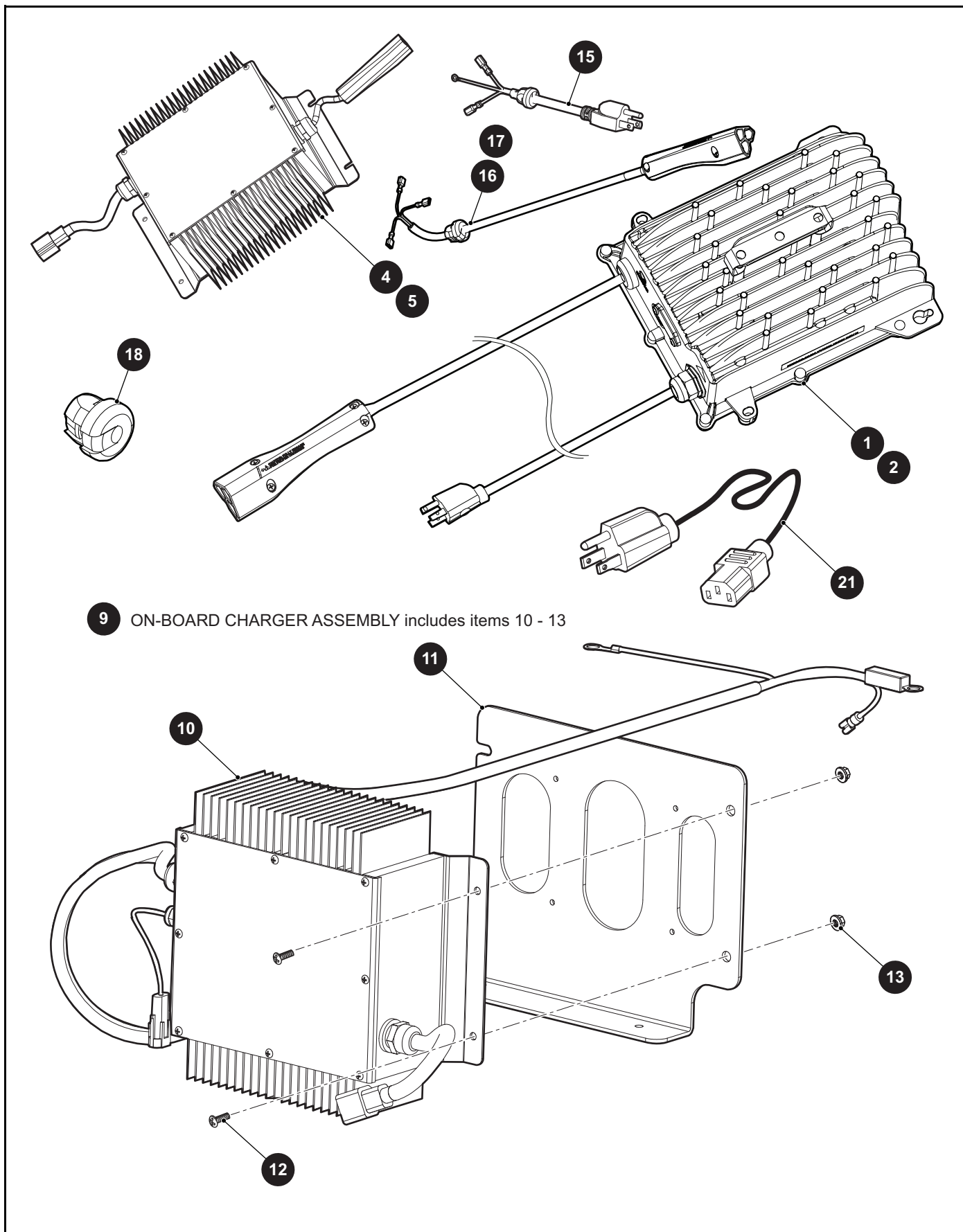
\*\*\* Indicates consult Customer Service Department for additional information.

ITEM	PART NO.	1	2	3	4	5	DESCRIPTION	QTY.
32								
33	25799G03						ACCELERATOR PEDAL ASSEMBLY (INCLUDES ITEMS 34 - 36) .....	1
34	652824						ACCELERATOR PEDAL .....	1
35	27512G01						ACCELERATOR PEDAL PAD .....	1
36	16409G1						OVAL RIVET, 3/16" X 7/16" LG .....	6
37								
38								
39								
40								
41	00715G2						HEX WASHER HEAD BOLT, 5/16" - 18 X 3/4" LG .....	4
42	70135G01						PEDAL PIVOT COVER .....	1





# BATTERY CHARGER



9 ON-BOARD CHARGER ASSEMBLY includes items 10 - 13

# BATTERY CHARGER

THE USE OF NON U.L. PARTS WILL VOID ANY U.L. LISTING.

When ordering parts, please specify the model and serial number of the product.

\* Indicates a component that is not available as an individual part.

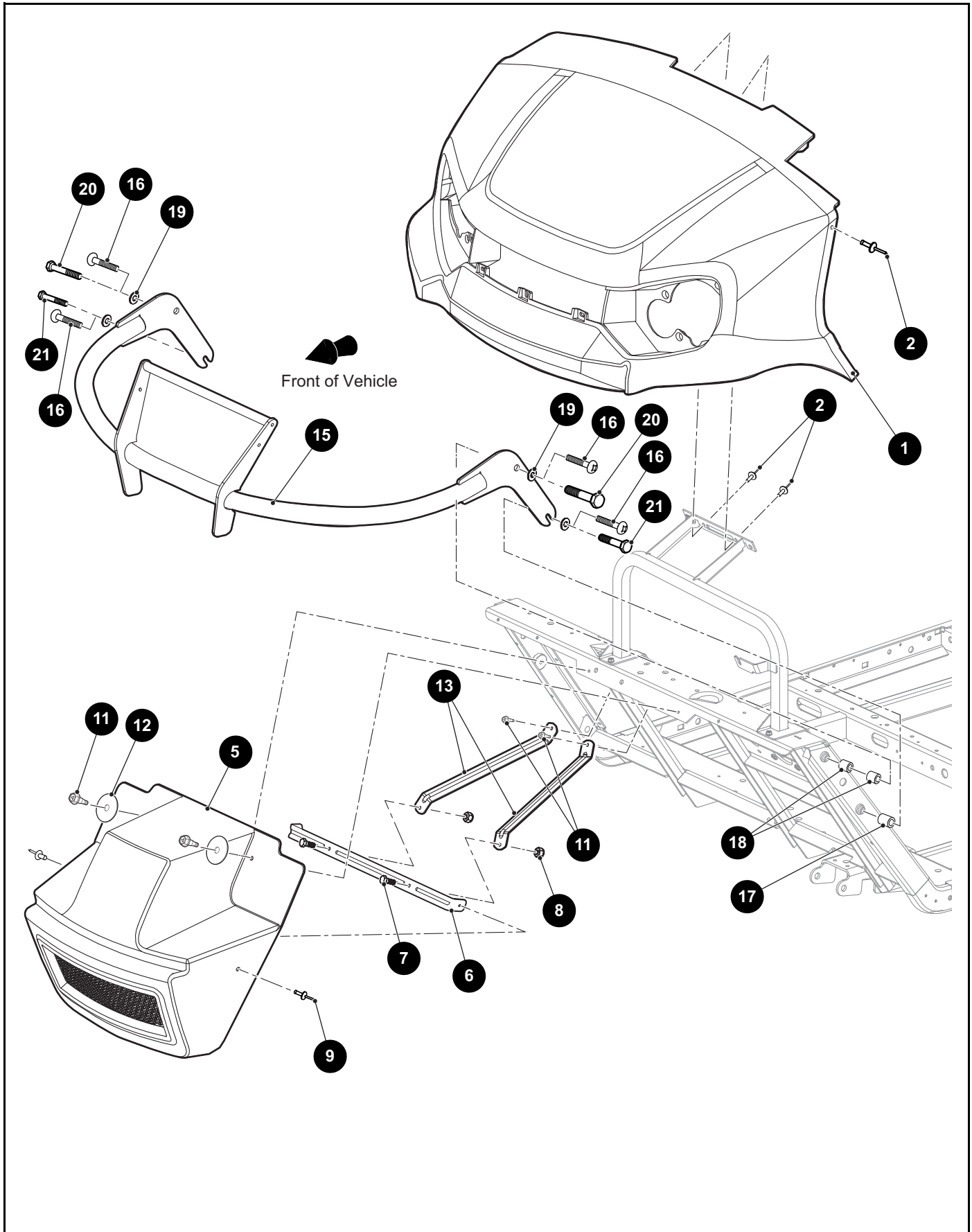
\*\*\* Indicates consult Customer Service Department for additional information.

ITEM	PART NO.	1 2 3 4 5	DESCRIPTION	QTY.
1	635669		48V BATTERY CHARGER, 3 METER CORD .....	1
2	635670		48V BATTERY CHARGER, 5.5 METER CORD .....	1
3				
4	622419		48V WORLD CHARGER, 3 METER CORD .....	1
5	622667		48V WORLD CHARGER, 5.5 METER CORD .....	1
6	605834		NYLON CLAMP, 36" LG (NOT ILLUSTRATED).....	2
7				
8				
9	664143		ON-BOARD CHARGER ASSEMBLY (INCLUDES ITEMS 10 - 13) .....	1
10	663805		ON-BOARD CHARGER WITH LED, 48V .....	1
11	667173		CHARGER BRACKET .....	1
12	16705G3		TRUSS HEAD MACHINE SCREW, 1/4" - 20 X 3/4" LG.....	4
13	11027G2		FLANGED LOCK NUT, 1/4" - 20 .....	4
14				
15	640448		AC CORD KIT, 3 M .....	1
16	640450		DC CORD KIT, 5.5 M .....	1
17	635957		DC CORD KIT, 3 M .....	1
18	640349		DC CORD KIT, STRAIN RELIEF .....	1
19				
20				
21	600462G01		48V DELTA Q CHARGER, AC CORD.....	1





# BODY



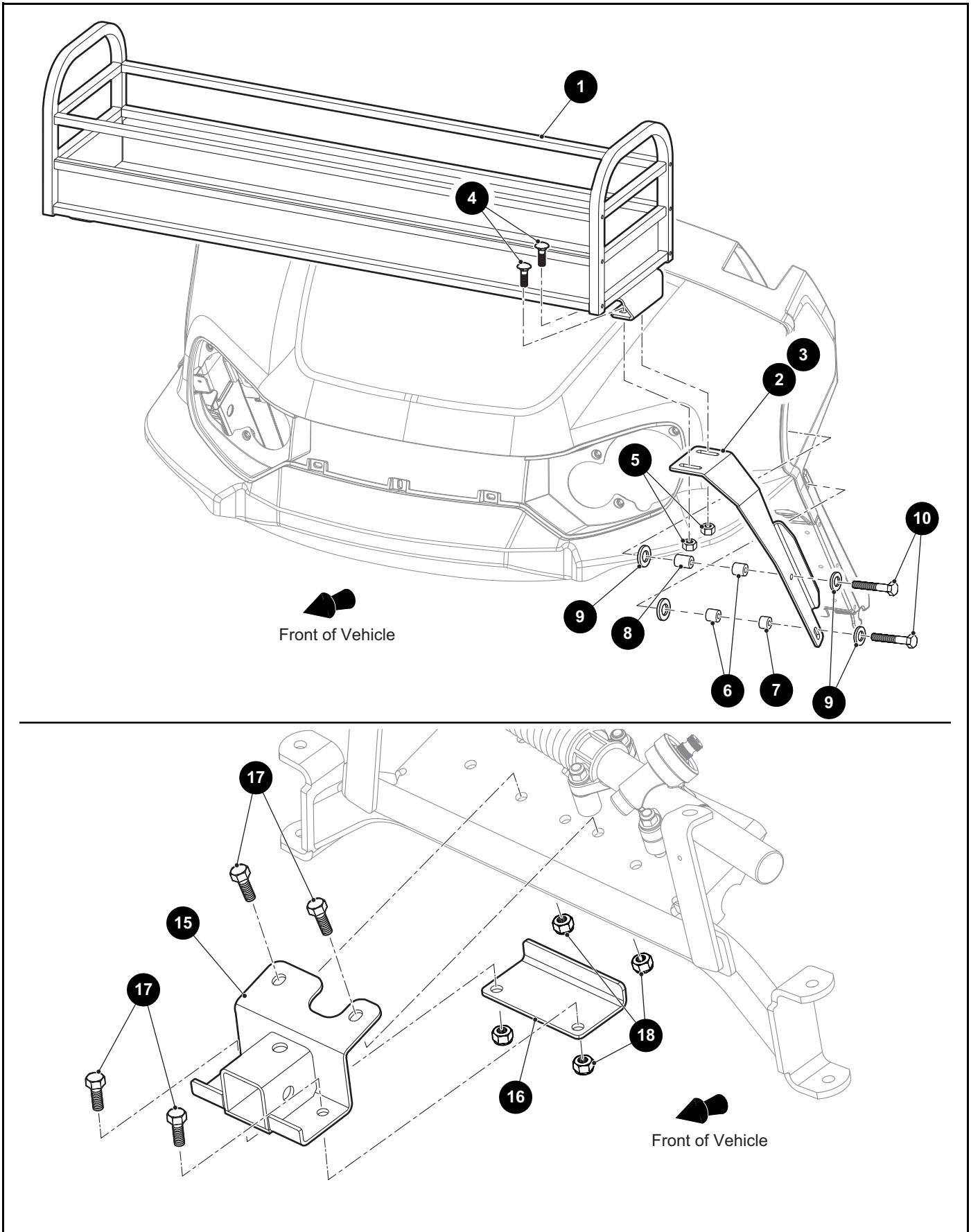
THE USE OF NON U.L. PARTS WILL VOID ANY U.L. LISTING.

When ordering parts, please specify the model and serial number of the product.

\* Indicates a component that is not available as an individual part.

\*\*\* Indicates consult Customer Service Department for additional information.

ITEM	PART NO.	1 2 3 4 5	DESCRIPTION	QTY.
1	648566G00XX		COWL (See COLOR CODE in HOW TO USE section) .....	1
2	71055G02		ALUMINUM RIVET, 3/16" X 1.18" LG .....	4
3				
4				
5	613273		FRONT FASCIA .....	1
6	654275		MOUNTING BRACKET .....	1
7	00414G6		HEX HEAD BOLT, 1/4" - 20 X 3/4" LG .....	2
8	14390G4		LOCK NUT, 1/4" - 20 .....	2
9	15058G1		RIVET (ALUMINUM), 3/16" X .45" LG .....	2
10				
11	01038G01		HEX WASHER HEAD SWAGEFORM SCREW, 1/4" - 20 X .70" LG .....	4
12	16469G1		FENDER WASHER .....	2
13	654276		FRONT FASCIA MOUNTING BRACE .....	1
14				
15	662022		BRUSH GUARD .....	1
16	652311		ROUND HEAD TORX BOLT, 5/16" - 18 X 3" LG .....	4
17	75048G03		SPACER, .328" I.D. X .75" O.D. X 1.5" LG .....	2
18	75048G04		SPACER, .328" I.D. X .75" O.D. X 1" LG .....	4
19	00559G8		FLAT WASHER, .349" I.D. X .692" O.D. X .066" LG .....	4
20	00441G2		HEX HEAD BOLT, 5/16" - 18 X 3 1/4" LG .....	2
21	00440G6		HEX HEAD BOLT, 5/16" - 18 X 2 3/4" LG .....	2





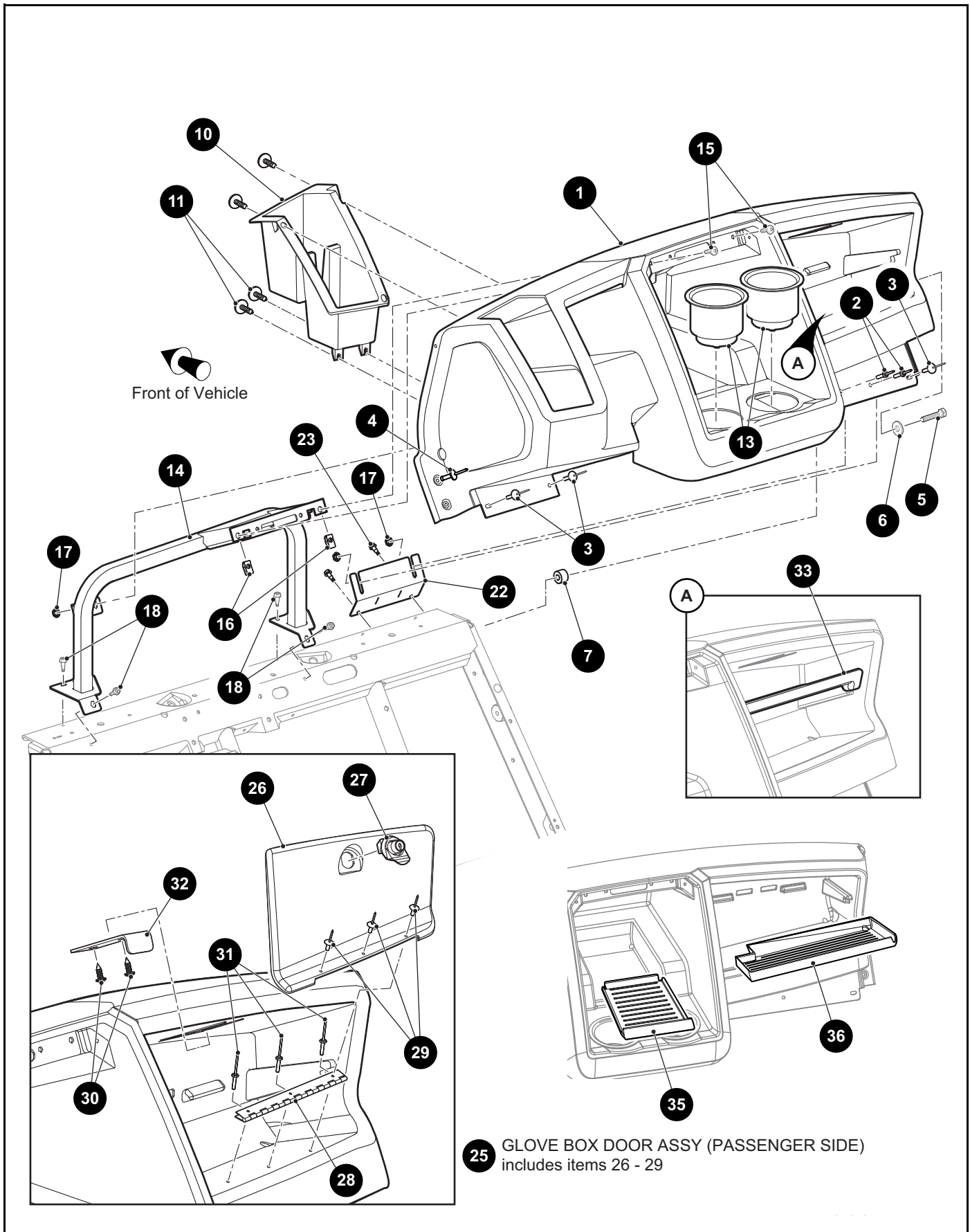
THE USE OF NON U.L. PARTS WILL VOID ANY U.L. LISTING.

When ordering parts, please specify the model and serial number of the product.

\* Indicates a component that is not available as an individual part.

\*\*\* Indicates consult Customer Service Department for additional information.

ITEM	PART NO.	1 2 3 4 5	DESCRIPTION	QTY.
1	74523G01		FRONT BASKET .....	1
2	651010G01		FRONT BASKET BRACKET (DRIVER SIDE) .....	1
3	651010G02		FRONT BASKET BRACKET (PASSENGER SIDE) .....	1
4	00769G2		ROUND HEAD CARRIAGE BOLT, 3/8" - 16 X 1.25" LG .....	4
5	11098G5		LOCK NUT, 3/8" - 16 .....	4
6	619586		SPACER .328" O.D. X .75" I.D. X .75" L.G. ....	4
7	634807		SPACER, .328" O.D. X .75" I.D. X .50" L.G. ....	2
8	75048G04		SPACER .328" O.D. X .75" I.D. X 1" L.G. ....	2
9	00570G2		FLAT WASHER, 5/16" .....	8
10	00440G6		HEX HEAD BOLT, 5/16" - 18 X 2.75" LG .....	4
11				
12				
13				
14				
15	635202		WINCH RECEIVER .....	1
16	604572		WINCH RECEIVER RETAINER .....	1
17	00462G8		HEX HEAD BOLT, 7/16" - 14 X 7/8" LG .....	4
18	00734G1		LOCK NUT, 7/16" - 14 .....	4



**25** GLOVE BOX DOOR ASSY (PASSENGER SIDE)  
includes items 26 - 29

THE USE OF NON U.L. PARTS WILL VOID ANY U.L. LISTING.

When ordering parts, please specify the model and serial number of the product.

\* Indicates a component that is not available as an individual part.

\*\*\* Indicates consult Customer Service Department for additional information.

ITEM	PART NO.	1 2 3 4 5	DESCRIPTION	QTY.
1	648568		INSTRUMENT PANEL .....	1
2	71055G01		RIVET (ALUMINUM), 3/16" X 1 1/8" LG .....	2
3	14601G11		RIVET (ALUMINUM), 3/16" X 9/16" LG .....	3
4	71055G02		ALUMINUM RIVET, 3/16" X 1.18" LG .....	2
5	651011		HEX HEAD BOLT, 5/16" - 18 X 1.5" LG .....	2
6	634808		FLAT WASHER, 5/16" .....	2
7	75048G01		SPACER, .328" X .75" X .5" .....	2
8				
9				
10	648562		CUP HOLDER (DRIVER SIDE) .....	1
11	613373		PAN HEAD TAPPING SCREW (WITH WASHER), M4.8 - 1.6 X 22MM LG ...	4
12				
13	650913		SINGLE CENTER CUP HOLDER .....	2
14	666298		IP SUPPORT .....	1
15	645323		PAN WASHER HEAD TORX SCREW, M6 - 1 X23.4MM LG .....	2
16	602409		BARREL CLIP, M6 - 1 .....	2
17	71597G01		SELF THREADING NUT, 5MM X 10MM X 15MM .....	3
18	01038G01		HEX WASHER HEAD SWAGEFORM SCREW, 1/4" - 20 X .70" LG .....	4
19				
20				
21				
22	666244		INSTRUMENT PANEL SUPPORT BRACKET (PASSENGER SIDE) .....	1
23	01038G01		HEX WASHER HEAD SWAGEFORM SCREW, 1/4" - 20 X .70" LG .....	2
24				
25	650784		GLOVE BOX DOOR ASSY (PASSENGER SIDE) (INCLUDES ITEM 26 - 29)	1
26	650813		DOOR .....	1
27	654475		LOCK ASSEMBLY .....	1
28	652386		HINGE .....	1
29	14601G10		RIVET (ALUMINUM), 5/32" X .425" LG.....	3
30	00614G4		PAN HEAD PHILLIPS TAPPING SCREW, #8 - 18 X 1/2" LG .....	2
31	71045G01		RIVET (ALUMINUM), 5/32" X .785" LG .....	3

# BODY

THE USE OF NON U.L. PARTS WILL VOID ANY U.L. LISTING.

When ordering parts, please specify the model and serial number of the product.

\* Indicates a component that is not available as an individual part.

\*\*\* Indicates consult Customer Service Department for additional information.

ITEM	PART NO.	1 2 3 4 5	DESCRIPTION	QTY.
32	652390		GLOVE BOX STRIKER .....	1
33	648561		TRAY PANEL (PASSENGER SIDE) .....	1
34				
35	660844		CENTER IP MAT .....	1
36	660880		GLOVE BOX MAT .....	1





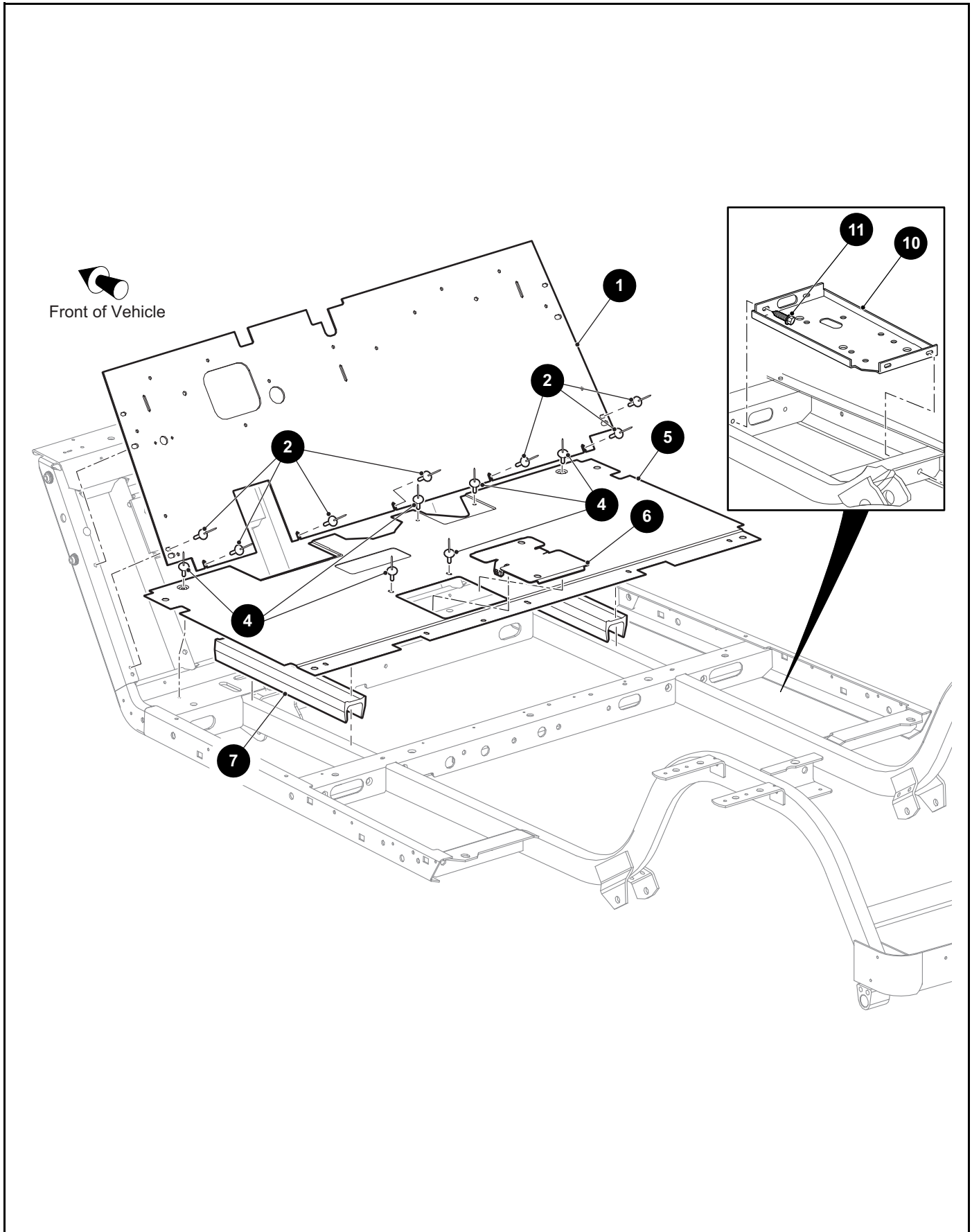
THE USE OF NON U.L. PARTS WILL VOID ANY U.L. LISTING.

When ordering parts, please specify the model and serial number of the product.

\* Indicates a component that is not available as an individual part.

\*\*\* Indicates consult Customer Service Department for additional information.

ITEM	PART NO.	1 2 3 4 5	DESCRIPTION	QTY.
1	651764G01		UPPER FLOOR MAT .....	1
2				
3	70135G01		PEDAL PIVOT COVER .....	1
4				
5				
6				
7	674546G01		LARGE FRONT FENDER FLARE (DRIVER SIDE) .....	1
8	674546G02		LARGE FRONT FENDER FLARE (PASSENGER SIDE) .....	1
9				
10	654378G01		SMALL FRONT FENDER FLARE (DRIVER SIDE) .....	1
11	654378G02		SMALL FRONT FENDER FLARE (PASSENGER SIDE) .....	1
12				
13	615239		ROCKER PANEL (DRIVER SIDE) .....	1
14	617333		ROCKER PANEL (PASSENGER SIDE) .....	1
15	15058G6		RIVET (ALUMINUM), 3/16" X .95" LG .....	2
16	645323		PAN WASHER HEAD TORX SCREW, M6 - 1 X 23.4MM LG .....	4
17	23726G4		SPACER, .5" O.D. X .38" I.D. X .325" LG .....	4
18	601476		FLANGED LOCK NUT, M6 - 1 .....	4
19				
20				
21	655917G01		UPPER ROCKER PANEL (DRIVER SIDE) .....	1
22	655917G02		UPPER ROCKER PANEL (PASSENGER SIDE) .....	1
23	655917G03		UPPER ROCKER PANEL WITH FENDER FLARE MOUNTING HOLES (DRIVER SIDE) .....	1
24	655917G04		UPPER ROCKER PANEL WITH FENDER FLARE MOUNTING HOLES (PASSENGER SIDE) .....	1
25				
26				
27	71055G02		RIVET (ALUMINUM), 3/16" X .38" LG .....	4
28	18436G1		DRIVE RIVET, 1/4" X 3/4" .....	3





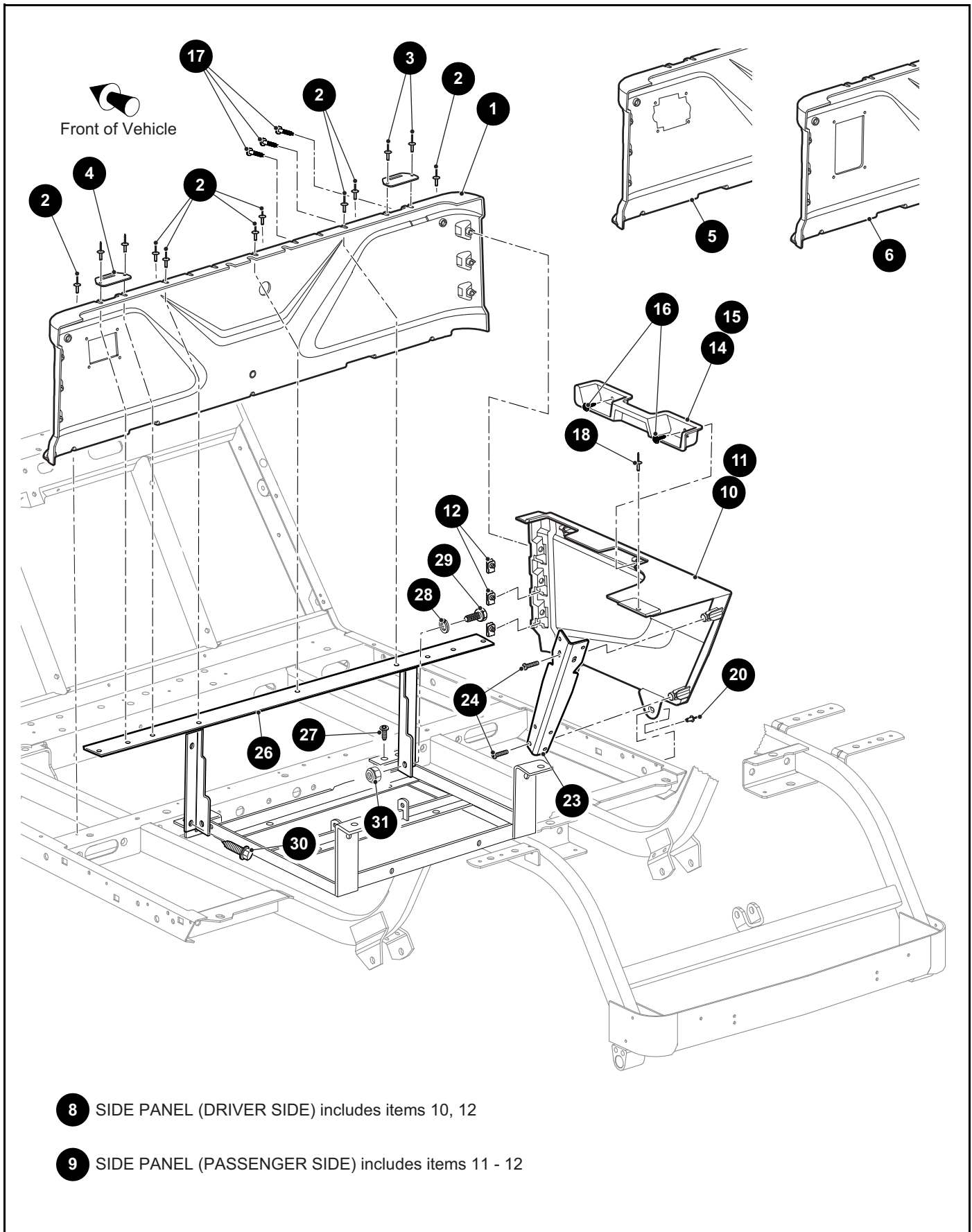
THE USE OF NON U.L. PARTS WILL VOID ANY U.L. LISTING.

When ordering parts, please specify the model and serial number of the product.

\* Indicates a component that is not available as an individual part.

\*\*\* Indicates consult Customer Service Department for additional information.

ITEM	PART NO.	1 2 3 4 5	DESCRIPTION	QTY.
1	641260		UPPER FLOOR PANEL.....	1
2	14601G11		RIVET (ALUMINUM), 3/16" X .575" LG .....	7
3				
4	14601G11		RIVET (ALUMINUM), 3/16" X .575" LG .....	6
5	664052G02		LOWER FLOOR PANEL.....	1
6	665025		ACCESS COVER.....	1
7	664735		FLOORBOARD SPACER .....	2
8				
9				
10	70244G05		SPLASH PAN.....	1
11	00715G2		FLANGED HEX HEAD BOLT, 5/16" - 18 X .80" LG.....	4



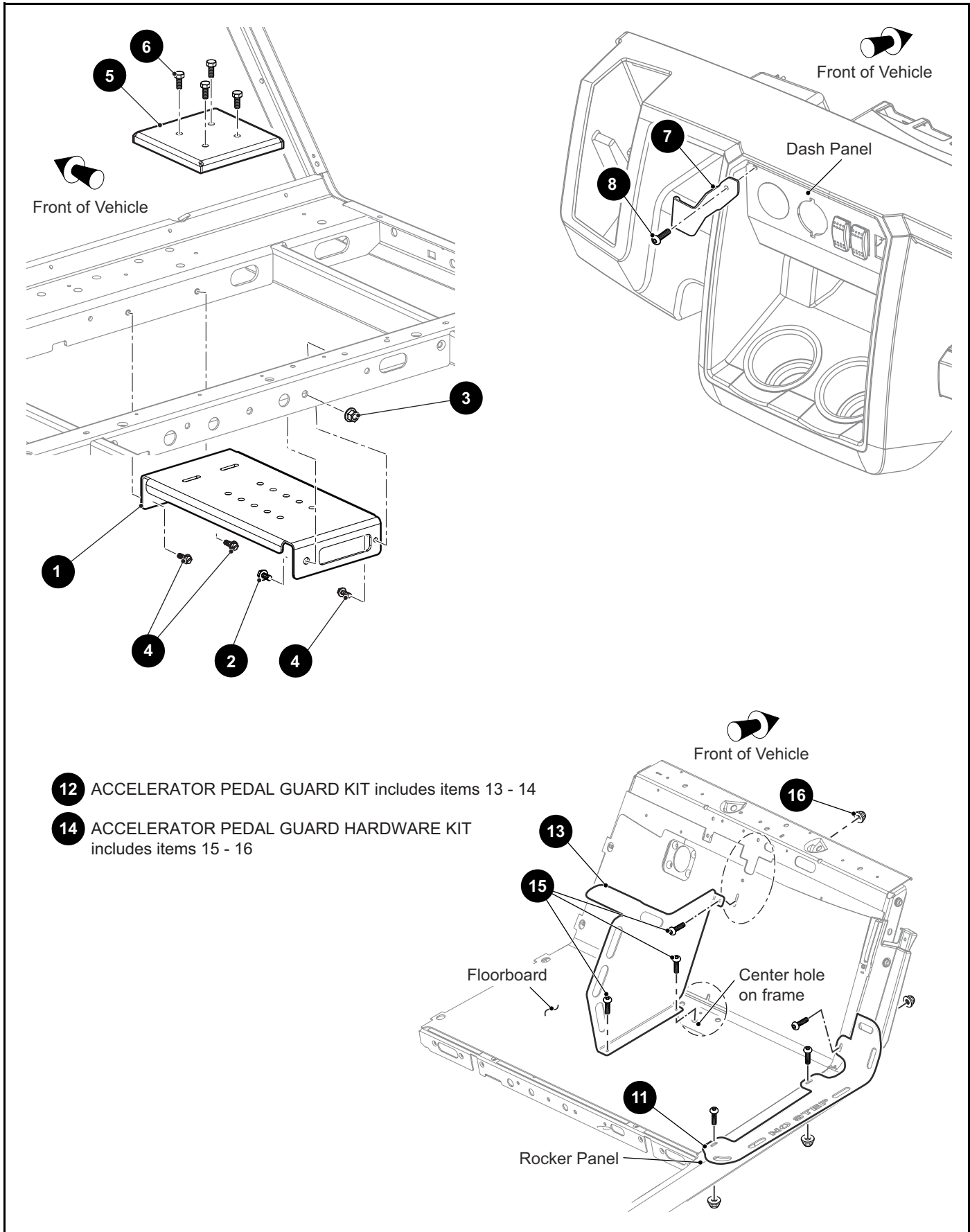
THE USE OF NON U.L. PARTS WILL VOID ANY U.L. LISTING.

When ordering parts, please specify the model and serial number of the product.

\* Indicates a component that is not available as an individual part.

\*\*\* Indicates consult Customer Service Department for additional information.

ITEM	PART NO.	1 2 3 4 5	DESCRIPTION	QTY.
1	649251G05		SEAT WRAP .....	1
2	10570G10		RIVET (SS), 5/32" X .55" LG .....	8
3	10570G11		RIVET (SS), 3/16" X .7" LG .....	2
4	71609G01		SEAT HINGE PLATE .....	1
5	649251G03		SEAT WRAP (FOR ON-BOARD CHARGER, OFF-BOARD).....	1
6	649251G04		SEAT WRAP (FOR CE VEHICLES).....	1
7				
8	652716G04		SIDE PANEL (DRIVER SIDE) (INCLUDES ITEMS 10, 12) .....	1
9	652716G05		SIDE PANEL (PASSENGER SIDE) (INCLUDES ITEMS 11 - 12).....	1
10	649388G04		SIDE PANEL (DRIVER SIDE) .....	1
11	649388G05		SIDE PANEL (PASSENGER SIDE).....	1
12	602409		BARREL CLIP, M6 - 1 .....	3
13				
14	649657G01		HIP RESTRAINT CLOSEOUT (DRIVER SIDE).....	1
15	649657G02		HIP RESTRAINT CLOSEOUT (PASSENGER SIDE) .....	1
16	613373		PAN HEAD TAPPING SCREW, M4.5 - 1.6 X 22MM LG .....	2
17	634161		BUTTON HEAD TORX SCREW, M6 - 1 X 30MM LG .....	6
18	10570G10		RIVET (SS), 5/32" X .55" LG .....	1
19				
20	10570G12		RIVET (ALUMINUM), 1/4" X .625" .....	2
21				
22				
23	662216		SIDE PANEL MOUNT BRACKET .....	1
24	613373		PAN HEAD TAPPING SCREW, M4.5 - 1.6 X 22MM LG .....	2
25				
26	70441G01		SEAT FRAME .....	1
27	70200G01		TORX HEAD SCREW, 3/8" - 16 X 1/4" LG.....	2
28	00559G8		FLAT WASHER, 5/16".....	2
29	00438G6		HEX HEAD BOLT, 5/16" - 18 X 3/4" LG.....	2
30	00715G2		FLANGED HEX HEAD BOLT, 5/16" - 18 X 13/16" LG.....	4
31	11098G6		LOCK NUT, 5/16" - 18.....	2



**12** ACCELERATOR PEDAL GUARD KIT includes items 13 - 14

**14** ACCELERATOR PEDAL GUARD HARDWARE KIT includes items 15 - 16

THE USE OF NON U.L. PARTS WILL VOID ANY U.L. LISTING.

When ordering parts, please specify the model and serial number of the product.

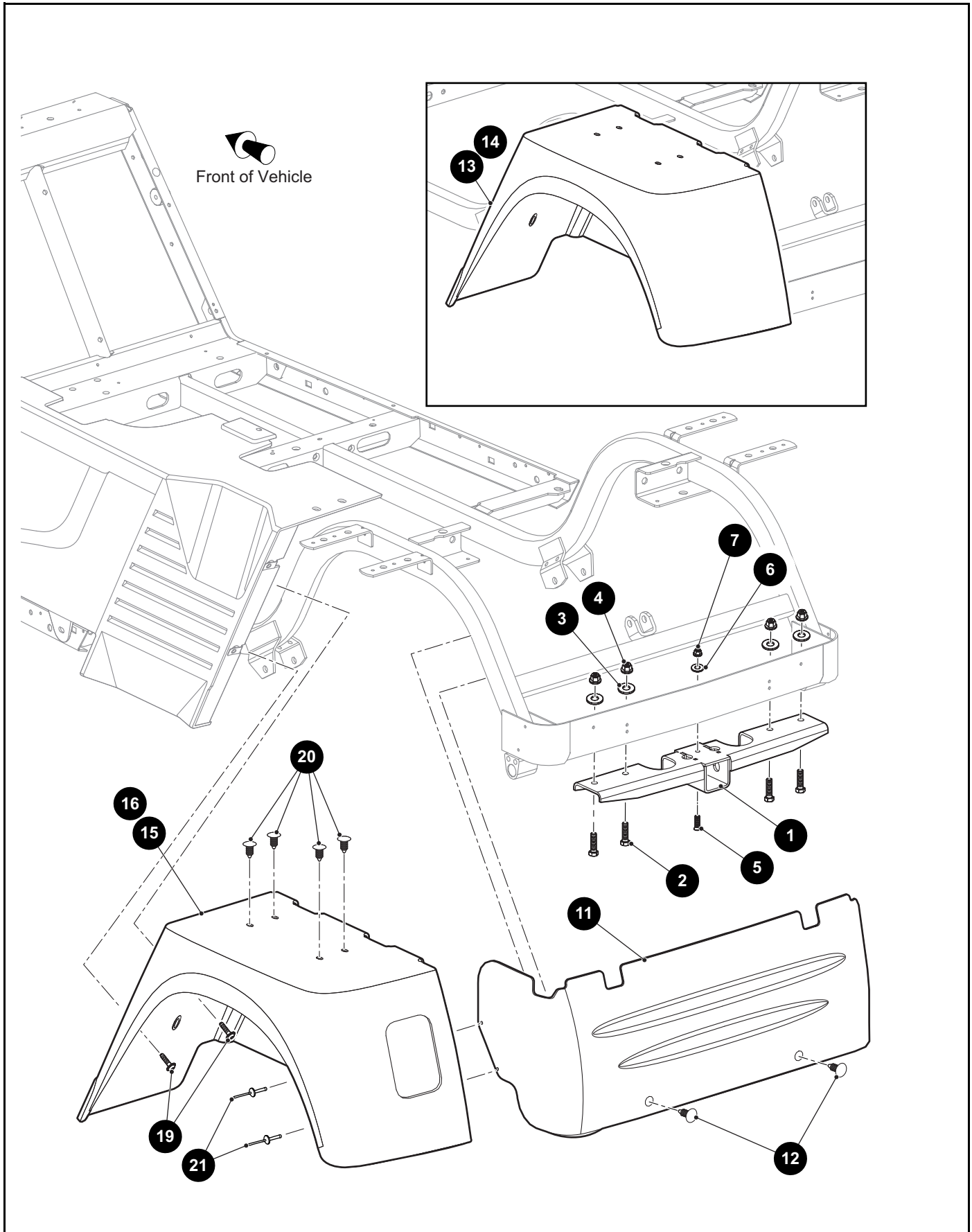
\* Indicates a component that is not available as an individual part.

\*\*\* Indicates consult Customer Service Department for additional information.

ITEM	PART NO.	1 2 3 4 5	DESCRIPTION	QTY.
1	653010		BASE BRACKET.....	1
2	800385		FLANGED HEX HEAD BOLT, 3/8" - 16 X 3/4" LG.....	1
3	11027G5		FLANGED LOCK NUT, 3/8" - 16.....	1
4	00114G6		HEX WASHER HEAD SCREW, 1/4" - 14 X 3/4" LG.....	3
5	74365G01		GUN MOUNT PLATE.....	1
6	*		SCREW.....	4
7	664044		RADIO CLIP.....	1
8	*		SCREW.....	1
9				
10				
11	661653		FLOORBOARD MOUNT.....	1
12	666379		ACCELERATOR PEDAL GUARD KIT (INCLUDES ITEMS 13 - 14).....	1
13	662991		ACCELERATOR PEDAL GUARD.....	1
14	666380		ACCELERATOR PEDAL GUARD HARDWARE KIT (INCLUDES ITEM 15 - 16).....	1
15	645323		TORX HEAD SCREW, M6 - 1 X 23.4MM LG.....	3
16	601476		LOCK NUT, M6 - 1.....	3









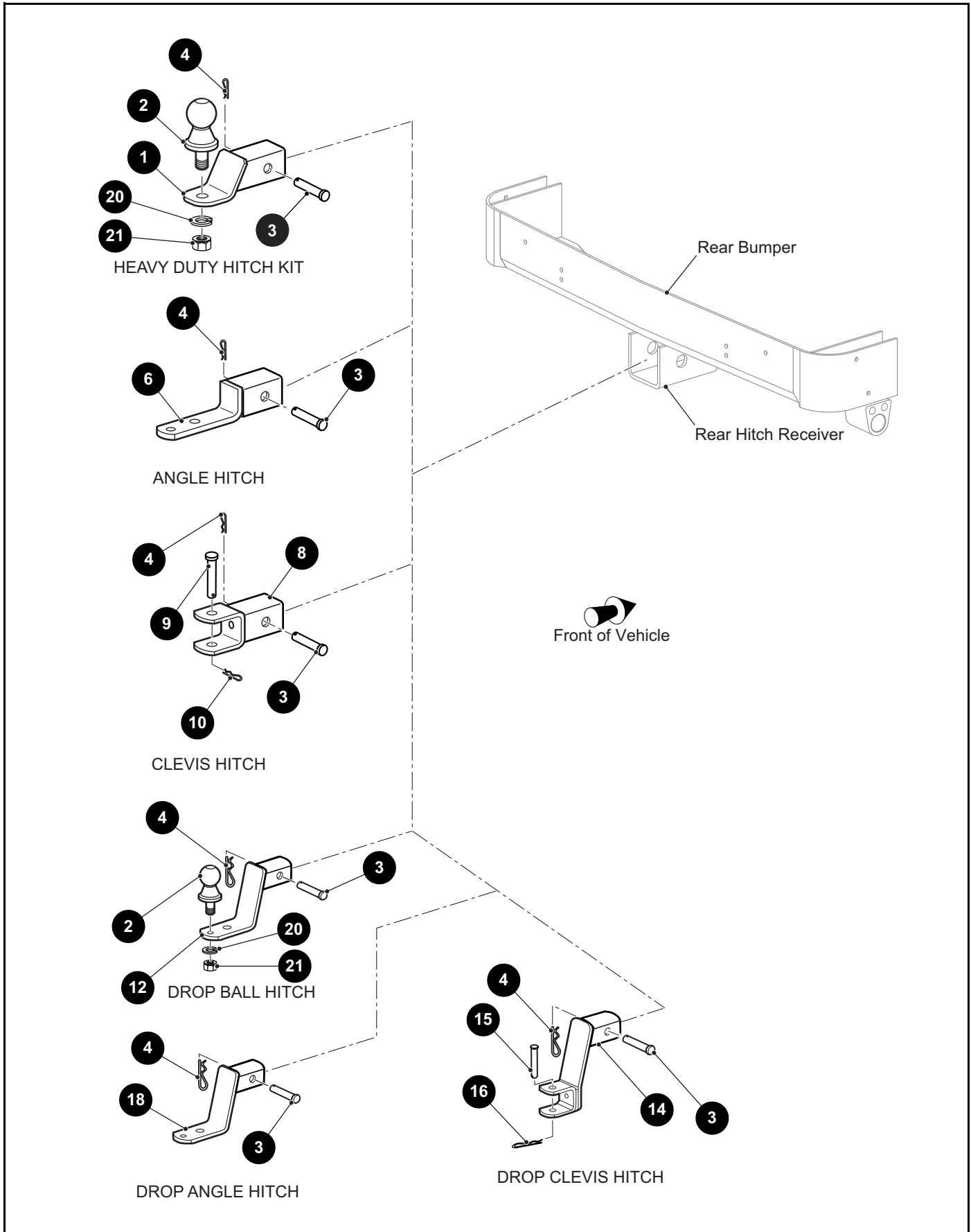
THE USE OF NON U.L. PARTS WILL VOID ANY U.L. LISTING.

When ordering parts, please specify the model and serial number of the product.

\* Indicates a component that is not available as an individual part.

\*\*\* Indicates consult Customer Service Department for additional information.

ITEM	PART NO.	1 2 3 4 5	DESCRIPTION	QTY.
1	647080		HITCH RECEIVER .....	1
2	00463G4		HEX HEAD BOLT, 7/16" - 14 X 1.5" LG .....	4
3	00922G3		FLAT WASHER, 7/16" .....	4
4	00734G1		LOCK NUT, 7/16" - 14 .....	4
5	00198G8		FLAT HEAD MACHINE SCREW, 5/16" - 18 X 1" LG .....	1
6	00571G2		FLAT WASHER, 5/16" .....	1
7	11098G6		LOCK NUT, 5/16" - 18 .....	1
8				
9				
10				
11	74890G01		REAR VALANCE PANEL .....	1
12	16816G2		RATCHET RIVET, .25" X .887" .....	2
13	74892G01		REAR FENDER WITHOUT TAILLIGHT (DRIVER SIDE) .....	1
14	74892G02		REAR FENDER WITHOUT TAILLIGHT (PASSENGER SIDE) .....	1
15	74892G03		REAR FENDER WITH TAILLIGHT (DRIVER SIDE) .....	1
16	74892G04		REAR FENDER WITH TAILLIGHT (PASSENGER SIDE) .....	1
17				
18				
19	15058G6		PAN WASHER HEAD TORX SCREW, M6 - 1 X 20MM LG .....	4
20	16816G2		RATCHET RIVET, .25" X .887" .....	4
21	71055G01		RIVET (ALUMINUM), 3/16" X 1 1/8" LG .....	4



THE USE OF NON U.L. PARTS WILL VOID ANY U.L. LISTING.

When ordering parts, please specify the model and serial number of the product.

\* Indicates a component that is not available as an individual part.

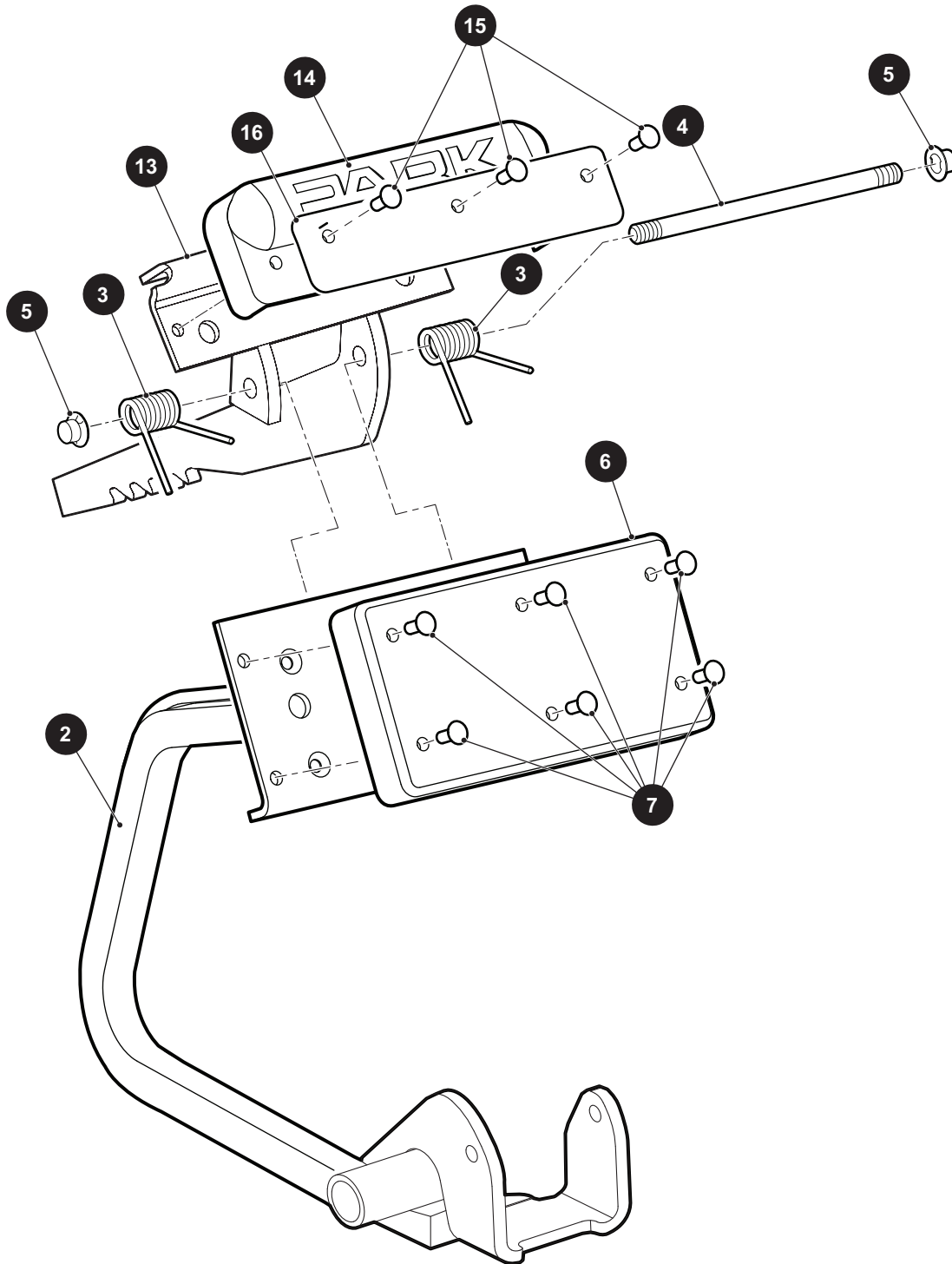
\*\*\* Indicates consult Customer Service Department for additional information.

ITEM	PART NO.	1 2 3 4 5	DESCRIPTION	QTY.
1	646730		HEAVY DUTY HITCH.....	1
2	31757G1		HITCH BALL, 1 7/8" .....	1
3	21317G1		CLEVIS PIN, 5/8" X 3" LG.....	1
4	21683G1		COTTER PIN, 15/32" X 2 1/16" LG.....	1
5				
6	646729		ANGLE HITCH .....	1
7				
8	646727		CLEVIS HITCH .....	1
9	14443G10		CLEVIS PIN, 1/2" X 3" LG.....	1
10	19314G1		COTTER PIN, 5/2" LG .....	1
11				
12	646743		DROP BALL HITCH .....	1
13				
14	646744		DROP CLEVIS HITCH .....	1
15	14443G10		CLEVIS PIN, 1/2" X 3" LG.....	1
16	19314G1		COTTER PIN, 5/2" LG .....	1
17				
18	646731		DROP ANGLE HITCH.....	1
19				
20	00566G6		LOCK NUT, 3/4" .....	1
21	00702G11		HEX NUT, 3/4" - 16 .....	1





**1** BRAKE PEDAL ASSEMBLY (WITHOUT LIGHT) (4 WHEEL BRAKES) includes items 2 - 16



# BRAKES

THE USE OF NON U.L. PARTS WILL VOID ANY U.L. LISTING.

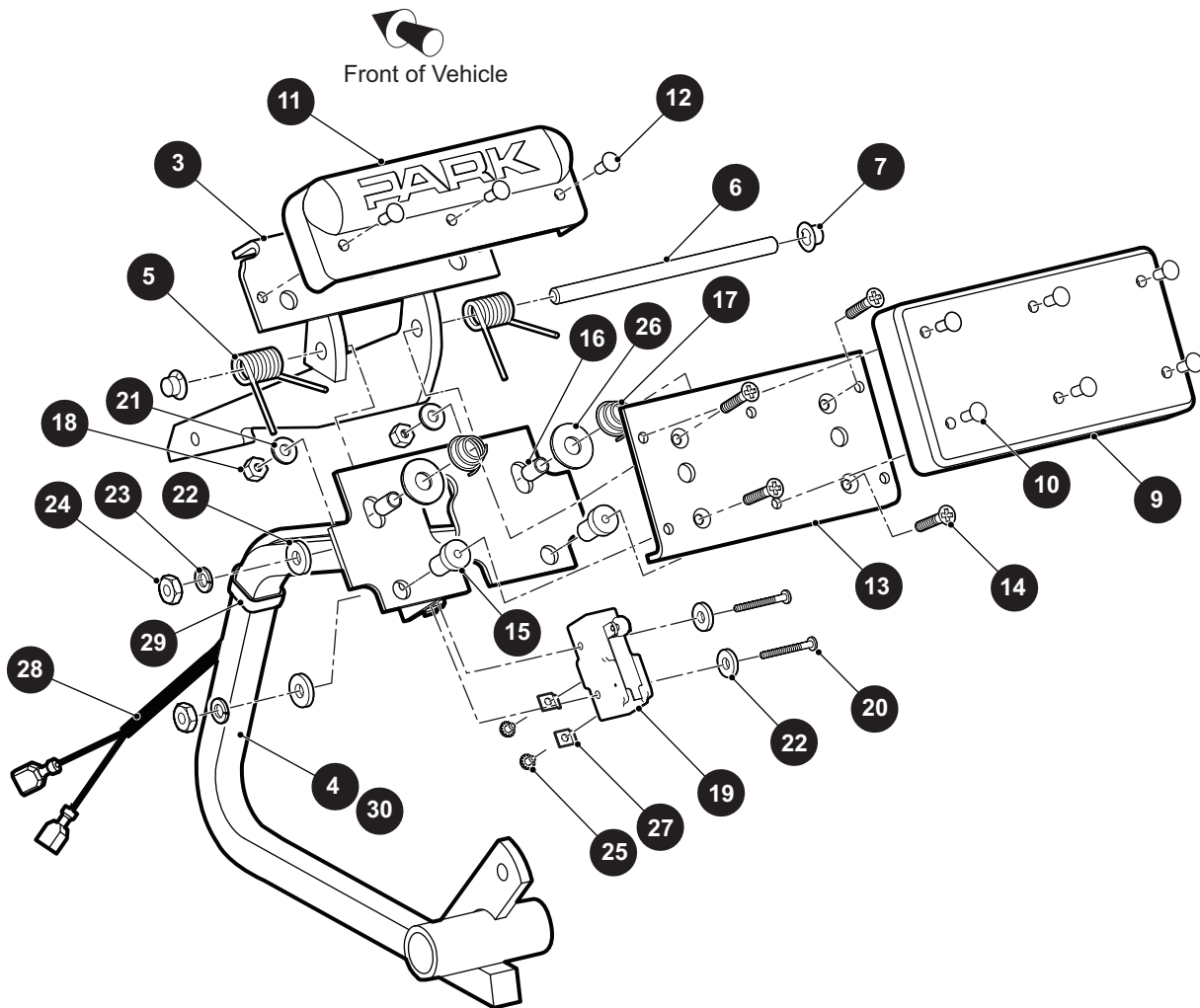
When ordering parts, please specify the model and serial number of the product.

\* Indicates a component that is not available as an individual part.

\*\*\* Indicates consult Customer Service Department for additional information.

ITEM	PART NO.	1 2 3 4 5	DESCRIPTION	QTY.
1	651213G03		BRAKE PEDAL ASSEMBLY (WITHOUT LIIGHT) (4 WHEEL DRUM BRAKES) (INCLUDES ITEMS 2 - 16) .....	1
2	651207G0003		BRAKE PEDAL WELDMENT (WITHOUT LIGHTS) .....	1
3	70681G01		TORSION SPRING .....	2
4	70682G01		PIVOT PIN, .314" DIA X 5.25" LG .....	1
5	658825		PUSH NUT, 5/16" - 24 .....	2
6	70257G01		BRAKE PAD .....	1
7	16409G1		OVAL RIVET, .375" X .468" LG .....	6
8				
9				
10				
11				
12				
13	660528G03		PARK BRAKE PEDAL WELDMENT.....	1
14	665987		PARK BRAKE PAD, MULTI-LATCH.....	1
15	16409G1		OVAL RIVET, .375" X .468" LG .....	3
16	665556		MULTI-LATCH PLATE .....	1

- 1 BRAKE PEDAL ASSEMBLY (WITHOUT BRAKE LIGHTS) includes items 3 - 12
- 2 BRAKE PEDAL ASSEMBLY (WITH BRAKE LIGHTS) includes items 3, 5 - 30





# BRAKES

THE USE OF NON U.L. PARTS WILL VOID ANY U.L. LISTING.

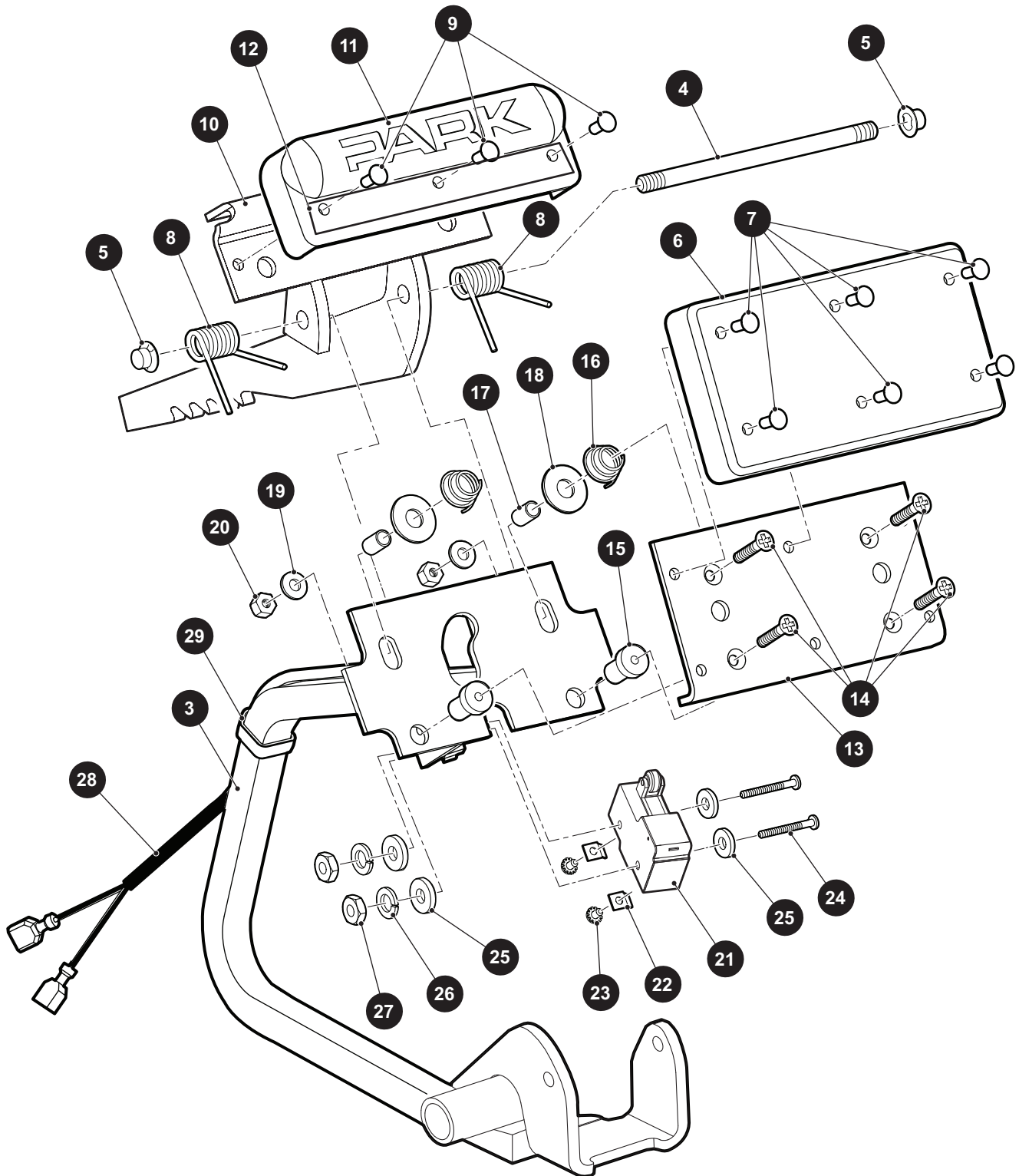
When ordering parts, please specify the model and serial number of the product.

\* Indicates a component that is not available as an individual part.

\*\*\* Indicates consult Customer Service Department for additional information.

ITEM	PART NO.	1 2 3 4 5	DESCRIPTION	QTY.
1	70612G02		BRAKE PEDAL ASSEMBLY (WITHOUT LIGHTS) (INCLUDES ITEMS 3 - 12) .....	1
2	70690G02		BRAKE PEDAL ASSEMBLY (WITH LIGHTS) (INCLUDES ITEMS 3, 5 - 30) .....	1
3	652253G03		PARK BRAKE PEDAL .....	1
4	652251G03		BRAKE PEDAL (WITHOUT LIGHTS).....	1
5	70681G01		TORSION SPRING.....	2
6	70682G01		PIVOT PIN.....	1
7	658825		PUSH NUT, 5/16" - 24 .....	2
8				
9	70257G01		SERVICE BRAKE PAD.....	1
10	16409G1		OVAL RIVET, .375" X .468" LG .....	6
11	70256G01		PARK BRAKE PEDAL PAD .....	1
12	16409G1		OVAL RIVET, .375" X .468" LG .....	3
13	652820		SERVICE BRAKE PEDAL PLATE .....	1
14	00737G8		FLAT HEAD PHILLIPS SCREW, #10 - 24 X .875" LG, GRADE 5.....	4
15	00739G1		RUBBER WELL NUT, #10 - 24.....	2
16	652355		BRAKE PEDAL SPACER .....	2
17	27137G01		CONICAL SPRING .....	2
18	14390G10		LOCK NUT, #10 - 24.....	2
19	10606G8		MICRO SWITCH .....	1
20	00645G2		PAN HEAD PHILLIPS SCREW, #6 - 32 X 1 1/4" LG.....	1
21	00559G5		FLAT WASHER, #10 .....	2
22	00559G3		FLAT WASHER, #6 .....	2
23	00565G3		LOCK WASHER, #6 .....	1
24	00525G5		LOCK NUT, #6 - 32.....	1
25	13514G1		LIMIT SWITCH SCREW, #6 - 32 X .22" LG .....	1
26	00642G8		FLAT WASHER, 5/16" .....	2
27	14628G1		FASTON TAB.....	1
28	24605G1		WIRE HARNESS (BRAKE LIGHT).....	1
29	17618G1		WIRE TIE.....	2
30	652791G03		BRAKE PEDAL (WITH LIGHTS) .....	1

**1** BRAKE PEDAL ASSEMBLY (WITH LIGHT) (4 WHEEL BRAKES) includes items 3 - 29



# BRAKES

THE USE OF NON U.L. PARTS WILL VOID ANY U.L. LISTING.

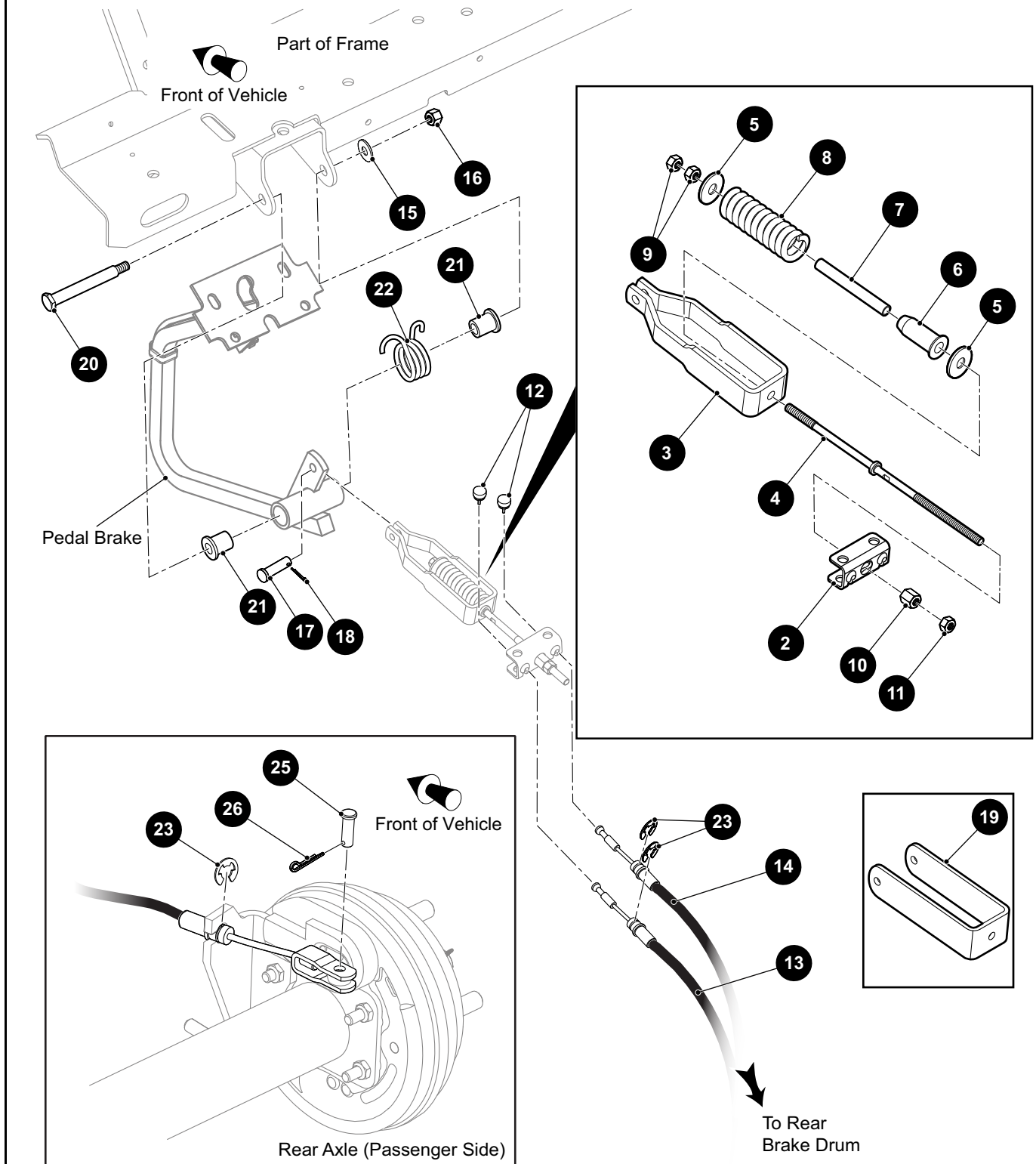
When ordering parts, please specify the model and serial number of the product.

\* Indicates a component that is not available as an individual part.

\*\*\* Indicates consult Customer Service Department for additional information.

ITEM	PART NO.	1 2 3 4 5	DESCRIPTION	QTY.
1	651213G04		BRAKE PEDAL ASSEMBLY (WITH LIIGHT) (4 WHEEL DRUM BRAKES) (INCLUDES ITEMS 3 - 29) .....	1
2				
3	651207G0103		BRAKE PEDAL (WITH LIGHTS) .....	1
4	70682G01		PIVOT PIN, .314" DIA X 5.25" LG .....	1
5	658825		PUSH NUT, 5/16" .....	2
6	70257G01		BRAKE PAD .....	1
7	16409G1		OVAL RIVET, .375" X .468" LG .....	6
8	70681G01		TORSION SPRING .....	2
9	16409G1		OVAL RIVET, .375" X .468" LG .....	3
10	660528G03		PARK BRAKE PEDAL WELDMENT.....	1
11	665987		PARK BRAKE PAD, MULTI-LATCH.....	1
12	665556		MULTI-LATCH PLATE .....	1
13	652820		BRAKE PEDAL PLATE .....	1
14	00737G8		FLAT HEAD PHILLIPS SCREW, #10 - 24 X .875" LG.....	4
15	00739G1		WELL NUT (RUBBER), #10 - 24 .....	2
16	27137G01		CONICAL SPRING .....	2
17	652355		BRAKE PEDAL SPACER .....	2
18	00642G8		FLAT WASHER, 5/16" .....	2
19	00559G5		FLAT WASHER, #10 .....	2
20	14390G10		LOCK NUT, #10 - 24 .....	2
21	10606G8		MICRO SWITCH .....	1
22	14628G1		FASTON TAB .....	2
23	13514G1		PAN HEAD PHILLIPS SCREW WITH INTERNAL TOOTH LOCK WASHER, #6 - 32 X .22" LG .....	2
24	00645G2		PAN HEAD PHILLIPS SCREW, #6 - 32 X 1.25" LG .....	2
25	00559G3		FLAT WASHER, #6 .....	4
26	00565G3		LOCK WASHER, #6 .....	2
27	00525G5		LOCK NUT, #6 - 32 .....	2
28	24605G1		WIRE HARNESS (BRAKE LIGHT) .....	1
29	17618G1		WIRE TIE .....	2

**1** COMPENSATOR ASSEMBLY (2 WHEEL DRUM BRAKES) includes items 2 - 14



**29** EQUILIZER AND BRAKE CABLE ASSEMBLY includes items 2, 12 - 14

THE USE OF NON U.L. PARTS WILL VOID ANY U.L. LISTING.

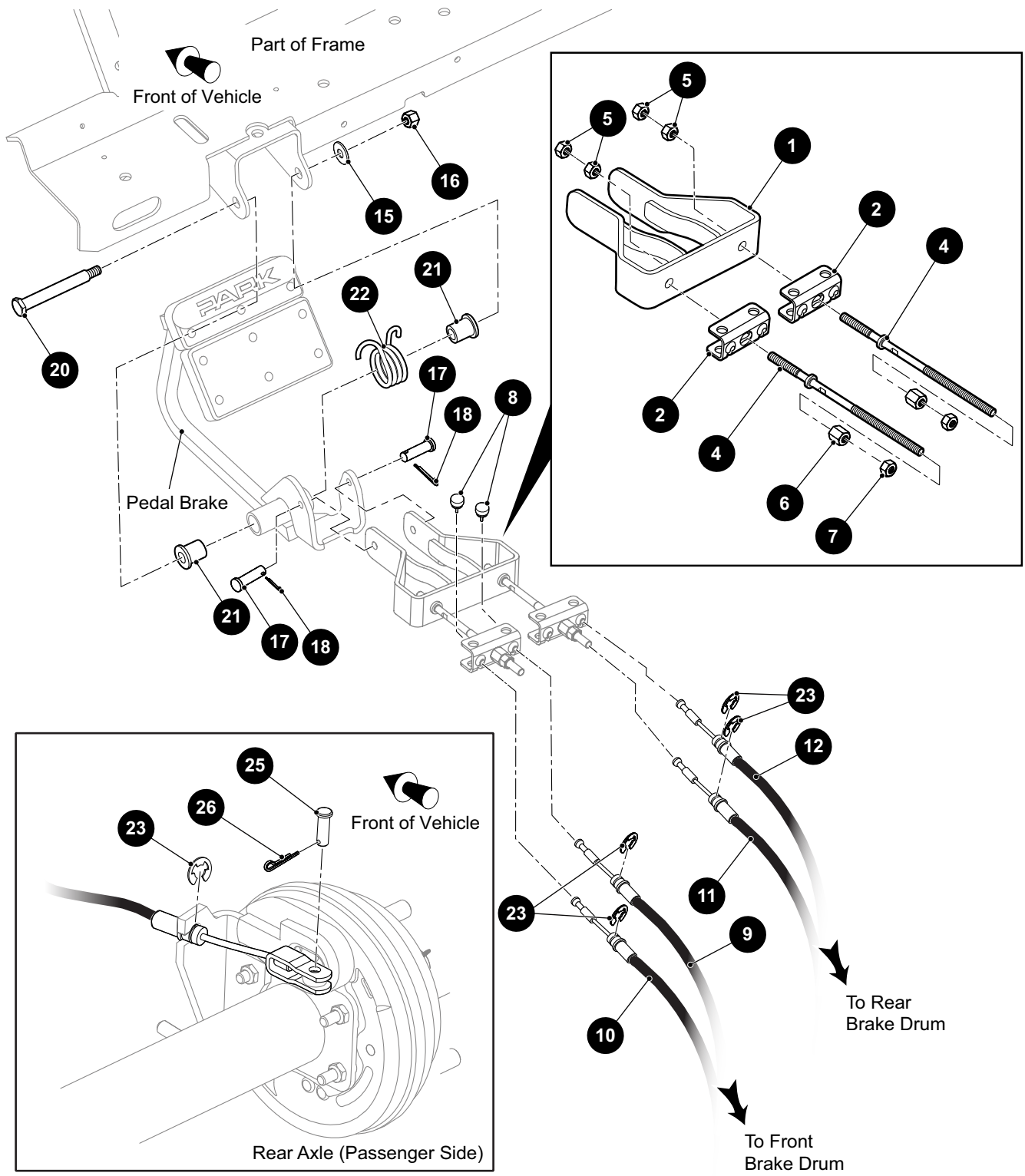
When ordering parts, please specify the model and serial number of the product.

\* Indicates a component that is not available as an individual part.

\*\*\* Indicates consult Customer Service Department for additional information.

ITEM	PART NO.	1 2 3 4 5	DESCRIPTION	QTY.
1	654663		COMPENSATOR ASSEMBLY (2 WHEEL DRUM BRAKES) (INCLUDES ITEM 2 - 14) .....	1
2	28082G01		BRAKE DRUM EQUALIZER .....	1
3	652256		BRAKE DRUM YOKE .....	1
4	612557		COMPENSATOR LINK ROD, 10.5" LG .....	1
5	15121G1		FLAT WASHER, 3/8" .....	2
6	17979G1		BUSHING, .464" I.D. X 1" O.D. X 2" LG .....	1
7	23061G2		TUBE, .315" I.D. X .44" O.D. X 3.66" LG .....	1
8	23463G1		COMPRESSION SPRING, 1.28" DIA X 4.06" LG .....	1
9	00532G4		HEX NUT, 5/16" - 24 .....	2
10	629486		SPHERICAL HEX NUT, 5/16"- 24 .....	1
11	11098G9		HEX LOCK NUT, 5/16" - 24 .....	1
12	28083G01		COMPENSATOR BUMPER, .56" DIA .....	2
13	624690		BRAKE CABLE, 37.06" LG .....	1
14	624691		BRAKE CABLE, 46.81" LG .....	1
15	00643G1		FLAT WASHER, 3/8" .....	1
16	11098G5		LOCK NUT, 3/8" - 16 .....	1
17	10386G3		CLEVIS PIN, .313" X .84" LG .....	1
18	10387G3		COTTER PIN, .094" X .75" .....	1
19	651070		BRAKE DRUM YOKE .....	1
20	70582G01		SHOULDER BOLT, .495 DIA X 3/8" - 16 THREAD X 3.406" LG .....	1
21	70581G01		BUSHING (ACETAL), .51" I.D. X .795" O.D. X .75" LG .....	2
22	70676G01		TORSION SPRING 1.34" DIA .....	1
23	01111G01		RETAINING RING, .8" O.D. X .39" I.D. X .42" LG .....	4
24				
25	10386G3		CLEVIS PIN, .313" X .84" LG .....	2
26	10387G3		COTTER PIN, .094" X .75" .....	2
27				
28	12416G2		WEDGE CLAMP (NYLON), 11.8" LG (NOT ILLUSTRATED) .....	4
29	624711		EQUILIZER AND BRAKE CABLE ASSEMBLY (INCLUDES ITEMS 2, 12 - 14) .....	1

**1** COMPENSATOR ASSEMBLY (4 WHEEL DRUM BRAKES) includes items 2 - 12



**13** EQUILIZER AND BRAKE CABLE ASSEMBLY includes items 2, 8 - 10

# BRAKES

THE USE OF NON U.L. PARTS WILL VOID ANY U.L. LISTING.

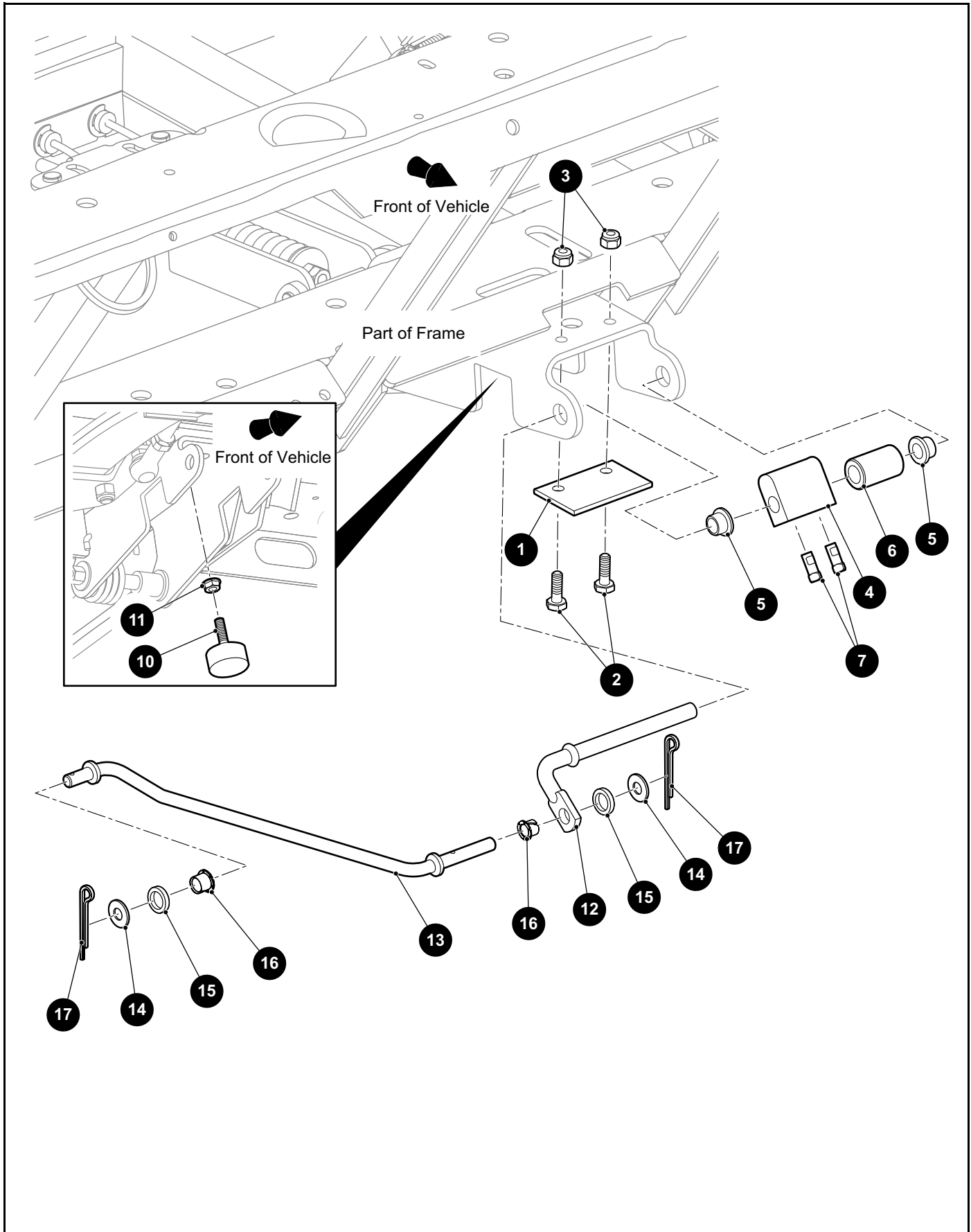
When ordering parts, please specify the model and serial number of the product.

\* Indicates a component that is not available as an individual part.

\*\*\* Indicates consult Customer Service Department for additional information.

ITEM	PART NO.	1 2 3 4 5	DESCRIPTION	QTY.
1	651204G06		COMPENSATOR ASSEMBLY (4 WHEEL DRUM BRAKES) (INCLUDES ITEM 2 - 12).....	1
2	28082G01		BRAKE DRUM EQUALIZER .....	1
3	651816		BRAKE DRUM YOKE .....	1
4	661536		COMPENSATOR LINK ROD, 6.91" LG .....	2
5	00532G4		HEX NUT, 5/16" - 24 .....	4
6	629486		SPHERICAL HEX NUT, 5/16"- 24 .....	2
7	11098G9		HEX LOCK NUT, 5/16" - 24 .....	2
8	28083G01		COMPENSATOR BUMPER, .56" DIA .....	4
9	624690		FRONT BRAKE CABLE, 37.06" LG (DRIVER SIDE).....	1
10	624691		FRONT BRAKE CABLE, 46.81" LG (DRIVER SIDE).....	1
11	652751		REAR BRAKE CABLE, 98" LG (PASSENGER SIDE).....	1
12	652752		REAR BRAKE CABLE, 103" LG (PASSENGER SIDE).....	1
13	624711		EQUILIZER AND BRAKE CABLE ASSEMBLY INCLUDES ITEMS (2, 8 - 10)	1
14				
15	00643G1		FLAT WASHER, 3/8" .....	1
16	11098G5		LOCK NUT, 3/8" - 16 .....	1
17	10386G3		CLEVIS PIN, .313" X .84" LG .....	2
18	10387G3		COTTER PIN, .094" X .75" .....	2
19				
20	70582G01		SHOULDER BOLT, .495 DIA X 3/8" - 16 THREAD X 3.406" LG.....	1
21	70581G01		BUSHING (ACETAL), .51" I.D. X .795" O.D. X .75" LG .....	2
22	70676G01		TORSION SPRING 1.34" DIA .....	1
23	01111G01		RETAINING RING, .8" O.D. X .39" I.D. X .42" LG .....	8
24				
25	10386G3		CLEVIS PIN, .313" X .84" LG .....	2
26	10387G3		COTTER PIN, .094" X .75" .....	2
27				
28	12416G2		WEDGE CLAMP (NYLON), 11.8" LG (NOT ILLUSTRATED) .....	5
29	660369		DOUBLE TUBE CLAMP, 1" (NOT ILLUSTRATED) .....	1
30	70200G01		TRUSS HEAD TORX SCREW, 3/8" - 16 X 3/4" LG (NOT ILLUSTRATED).....	1

# BRAKES





THE USE OF NON U.L. PARTS WILL VOID ANY U.L. LISTING.

When ordering parts, please specify the model and serial number of the product.

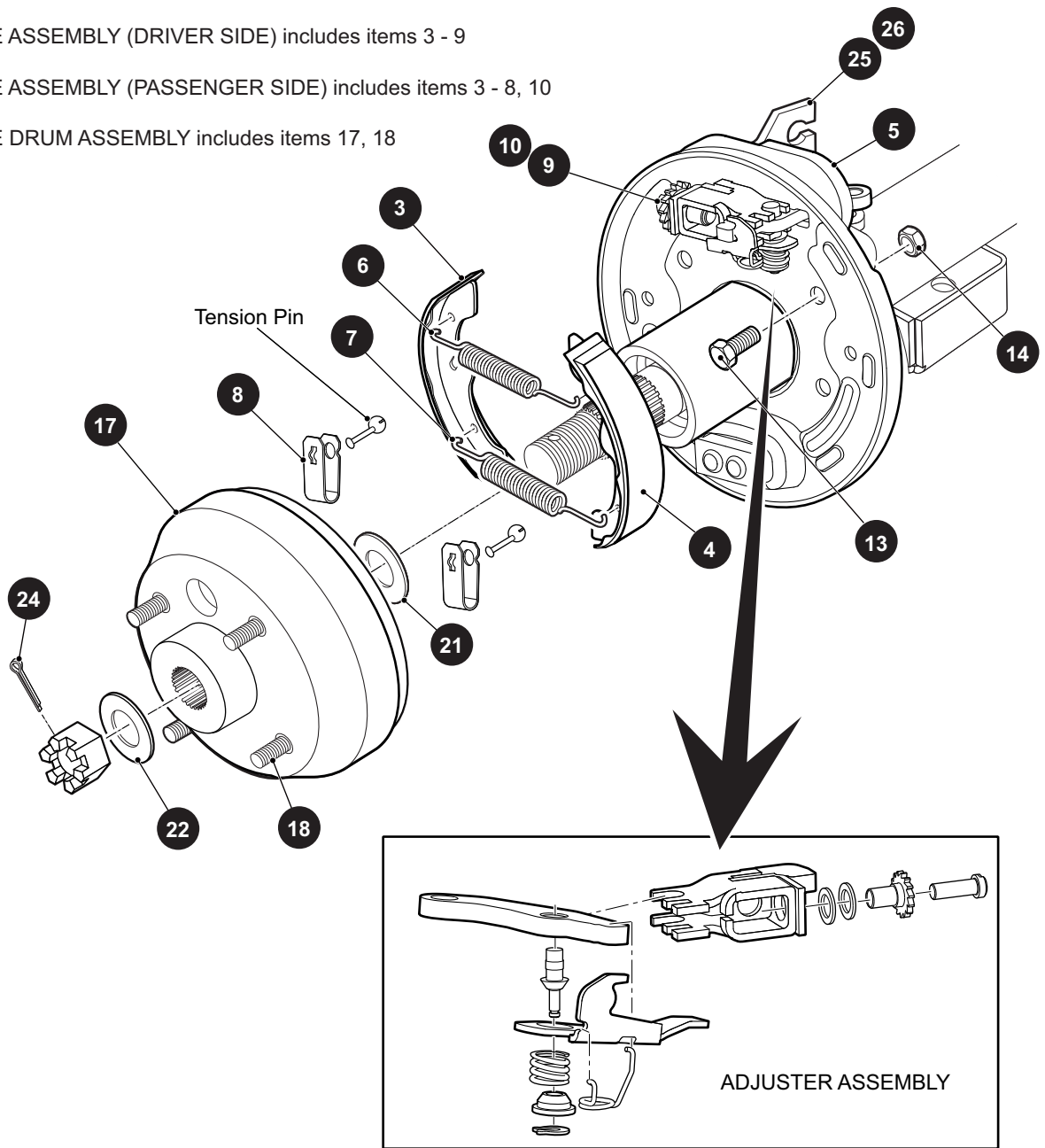
\* Indicates a component that is not available as an individual part.

\*\*\* Indicates consult Customer Service Department for additional information.

ITEM	PART NO.	1 2 3 4 5	DESCRIPTION	QTY.
1	70080G02		HILL BRAKE CATCH BRACKET .....	1
2	00414G6		HEX HEAD BOLT, 1/4" - 20 X .75" LG .....	2
3	14390G4		LOCK NUT, 1/4" - 20 .....	2
4	70587G01		PARK BRAKE CAM .....	1
5	10097G6		FLANGED BEARING .502 O.D. X .378 I.D. X .380 LG .....	2
6	14134G4		SPACER, .76" O.D. X .405" I.D. X 1.25" LG .....	1
7	71215G01		SQUARE HEAD SET SCREW WITH PATCH LOCK, 1/4" - 20 X .5" LG .....	2
8				
9				
10	70113G01		ADJUSTABLE RUBBER BUMPER .....	1
11	11027G1		FLANGED LOCK NUT, 5/16" - 18 .....	1
12	70098G01		KICK-OFF CAM PIVOT .....	1
13	70601G01		KICK-OFF LINKAGE ROD .....	1
14	00559G8		FLAT WASHER, 1/4" - 20 .....	2
15	20835G1		WASHER, .62" O.D. X .39" I.D. X .135" LG .....	2
16	17838G1		FLANGED NYLINER BUSHING, .374" O.D. X .313" I.D. X .312" LG .....	2
17	10387G3		COTTER PIN, .094" X .75" .....	2

# BRAKES

- 1 BRAKE ASSEMBLY (DRIVER SIDE) includes items 3 - 9
- 2 BRAKE ASSEMBLY (PASSENGER SIDE) includes items 3 - 8, 10
- 16 BRAKE DRUM ASSEMBLY includes items 17, 18



THE USE OF NON U.L. PARTS WILL VOID ANY U.L. LISTING.

When ordering parts, please specify the model and serial number of the product.

\* Indicates a component that is not available as an individual part.

\*\*\* Indicates consult Customer Service Department for additional information.

ITEM	PART NO.	1 2 3 4 5	DESCRIPTION	QTY.
1	612211		BRAKE ASSEMBLY (DRIVER SIDE) (INCLUDES ITEMS 3 - 9).....	1
2	612189		BRAKE ASSEMBLY (PASSENGER SIDE) (INCLUDES ITEMS 3 - 8, 10) .....	1
3	612411		BRAKE SHOE, LEADING .....	1
4	612412		BRAKE SHOE, TRAILING.....	1
5	612413		DUST COVER .....	1
6	612415		BRAKE SPRING, TOP .....	1
7	612414		BRAKE SPRING, BOTTOM .....	1
8	612416		SHOE CLAMP .....	2
9	612418		GEAR ADJUSTER (DRIVER SIDE) .....	1
10	612417		GEAR ADJUSTER (PASSENGER SIDE).....	1
11				
12				
13	17083G2		HEX HEAD BOLT, 5/16" - 24 X 1" LG .....	8
14	15126G1		LOCK NUT, 5/16" - 24.....	8
15				
16	19186G1		BRAKE DRUM ASSEMBLY (INCLUDES ITEMS 17, 18).....	2
17	20947G1		BRAKE DRUM.....	1
18	19862G2		LUG BOLT, 1/2" - 20 X 1 3/16" LG.....	4
19				
20				
21	15485G1		FLAT WASHER, INNER WHEEL RIM, 1.31" O.D. X .85" I.D.....	2
22	15487G1		FLAT WASHER - BRAKE DRUM, 1.75" O.D. X .89" I.D.....	2
23				
24	10387G1		COTTER PIN, .125" X 1.50" LG .....	2
25	652248		BRAKE CABLE BRACKET (PASSENGER SIDE) .....	1
26	652249		BRAKE CABLE BRACKET (DRIVER SIDE).....	1

FOR VEHICLES WITH MECHANICAL DRUM BRAKES

**8** DRUM AND HUB ASSEMBLY includes items 9 - 11

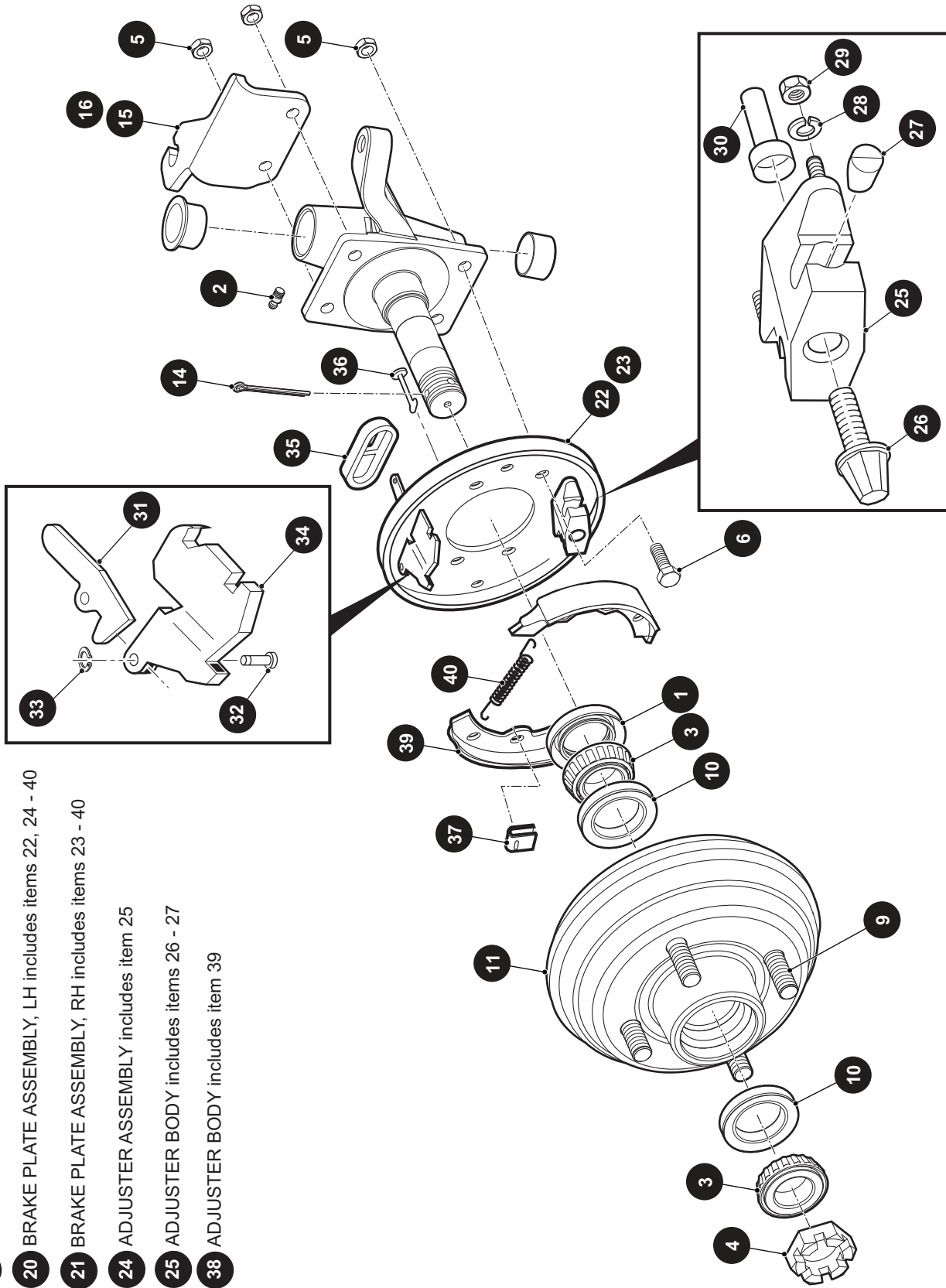
**20** BRAKE PLATE ASSEMBLY, LH includes items 22, 24 - 40

**21** BRAKE PLATE ASSEMBLY, RH includes items 23 - 40

**24** ADJUSTER ASSEMBLY includes item 25

**25** ADJUSTER BODY includes items 26 - 27

**38** ADJUSTER BODY includes item 39



\*The orientation will be different based on the vehicle model

# BRAKES

THE USE OF NON U.L. PARTS WILL VOID ANY U.L. LISTING.

When ordering parts, please specify the model and serial number of the product.

\* Indicates a component that is not available as an individual part.

\*\*\* Indicates consult Customer Service Department for additional information.

ITEM	PART NO.	1 2 3 4 5	DESCRIPTION	QTY.
1	25146G1		SEAL.....	1
2	10389G3		GREASE FITTING .....	1
3	11750G2		ROLLER BEARING.....	2
4	12093G1		SLOTTED HEX NUT, 1" - 14.....	1
5	15126G1		LOCK NUT, 5/16" - 24.....	4
6	17083G2		HEX HEAD BOLT, 5/16" - 24 X 1" LG .....	4
7				
8	652164		DRUM AND HUB ASSEMBLY (INCLUDES ITEMS 9 - 11).....	1
9	19862G2		WHEEL HUB BOLT, 1/2 - 20 X 1.718" LG .....	4
10	51141G1		RACE BEARING .....	2
11	647535		HUB .....	1
12	20938G1		REAR BRAKE ASSEMBLY .....	1
13	20938G2		REAR BRAKE ASSEMBLY .....	1
14	00798G8		COTTER PIN, 5/32" X 1-3/4" LG .....	1
15	648617G01		BRAKE CABLE BRACKET (DRIVER SIDE).....	1
16	648617G02		BRAKE CABLE BRACKET (PASSENGER SIDE) .....	1
17				
18				
19				
20	20938G1		BRAKE ASSEMBLY, LH (INCLUDES ITEMS 22, 24 - 40) .....	1
21	20938G2		BRAKE ASSEMBLY, RH (INCLUDES ITEMS 23 - 40) .....	1
22	22519G1		BACKING PLATE, LH.....	1
23	22518G1		BACKING PLATE, RH .....	1
24	22516G1		ADJUSTER ASSEMBLY (INCLUDES ITEM 25).....	1
25	22520G1		ADJUSTER BODY (INCLUDES ITEMS 26 - 27) .....	1
26	17287G1		ADJUSTER BOLT.....	1
27	17289G1		PISTON ANCHOR .....	2
28	00664G7		LOCK WASHER, 1/4" (SS).....	2
29	13632G1		HEX NUT, 6MM .....	2
30	17294G1		ADJUSTING BOLT CAP.....	1
31	22512G1		ACTUATING LEVER .....	1

# BRAKES

THE USE OF NON U.L. PARTS WILL VOID ANY U.L. LISTING.

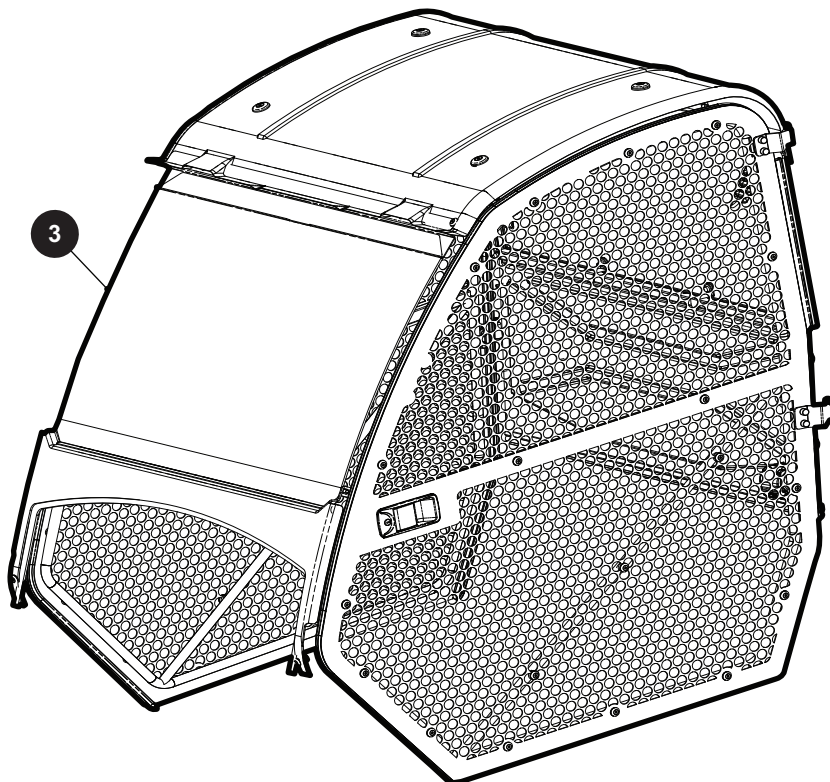
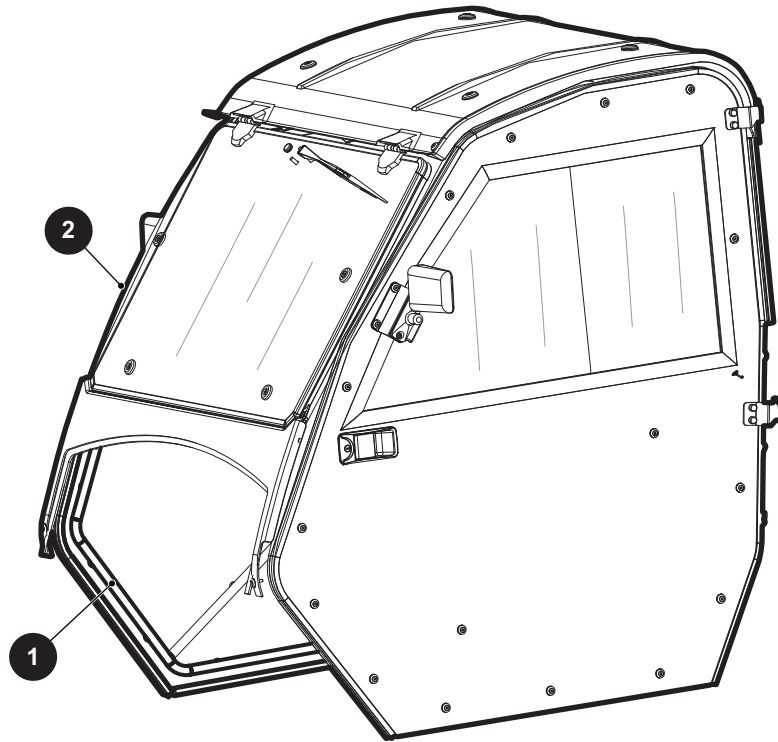
When ordering parts, please specify the model and serial number of the product.

\* Indicates a component that is not available as an individual part.

\*\*\* Indicates consult Customer Service Department for additional information.

ITEM	PART NO.	1	2	3	4	5	DESCRIPTION	QTY.
32	22513G1						LEVER PIN .....	1
33	22514G1						'U' CLIP .....	1
34	22515G1						SLIDING BLOCK.....	1
35	22511G1						DUST COVER.....	1
36	17292G1						TENSION PIN .....	2
37	17291G1						SPRING CLAMP .....	2
38	23398G1						BRAKE SHOE SET (INCLUDES ITEM 39).....	1
39	23355G1						BRAKE SHOE .....	2
40	17290G1						BRAKE SPRING .....	2







THE USE OF NON U.L. PARTS WILL VOID ANY U.L. LISTING.

When ordering parts, please specify the model and serial number of the product.

\* Indicates a component that is not available as an individual part.

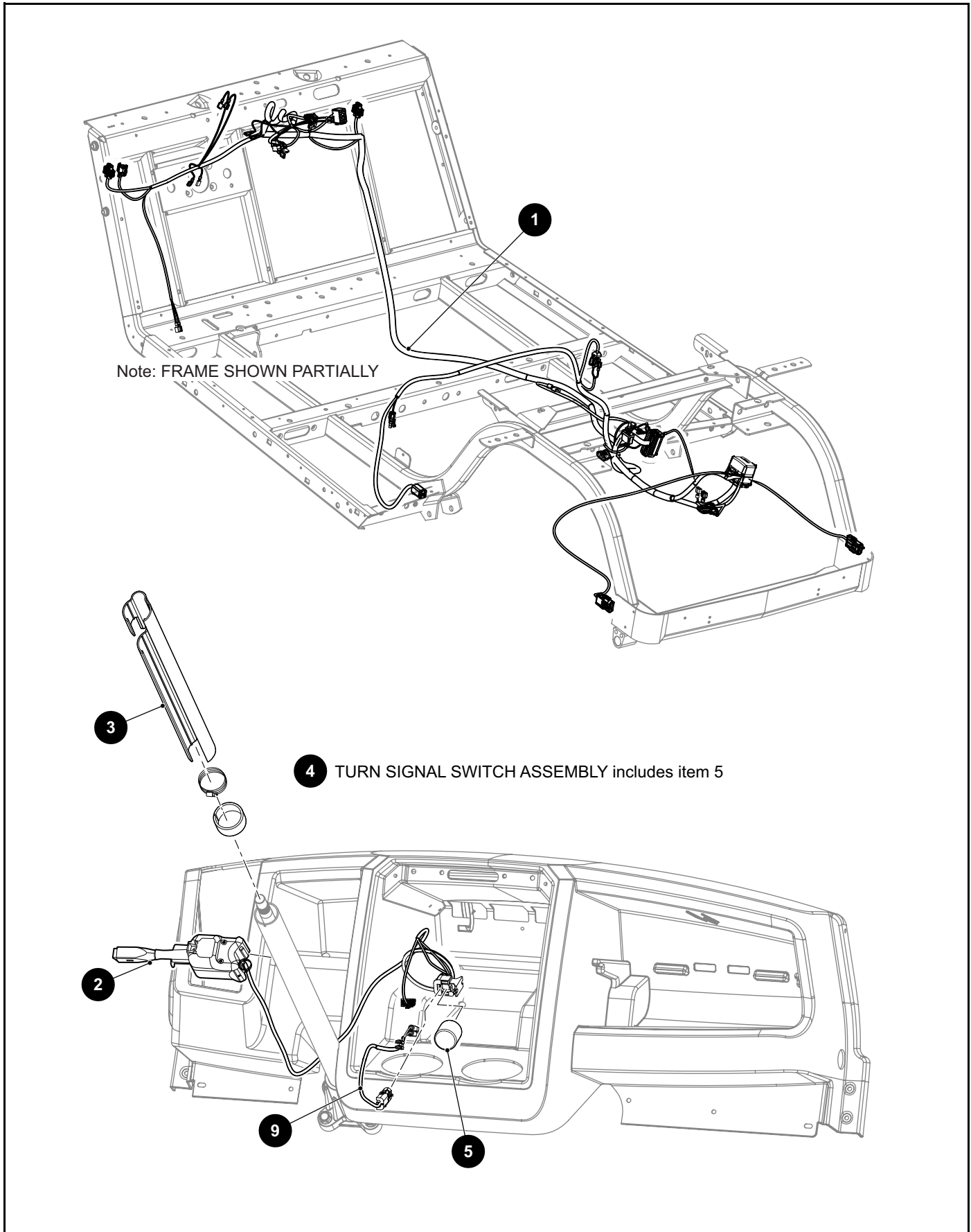
\*\*\* Indicates consult Customer Service Department for additional information.

ITEM	PART NO.	1 2 3 4 5	DESCRIPTION	QTY.
1	652854		CAB, ROPS KIT .....	1
2	652855		CAB, UTILITY KIT .....	1
3	652856		CAB, BALL CAGE KIT .....	1





# ELECTRICAL SYSTEM



# ELECTRICAL SYSTEM

THE USE OF NON U.L. PARTS WILL VOID ANY U.L. LISTING.

When ordering parts, please specify the model and serial number of the product.

\* Indicates a component that is not available as an individual part.

\*\*\* Indicates consult Customer Service Department for additional information.

ITEM	PART NO.	1 2 3 4 5	DESCRIPTION	QTY.
1	677978		MAIN HARNESS.....	1
2				
3	20965G3		STEERING COLUMN COVER .....	1
4	615236		TURN SIGNAL SWITCH ASSEMBLY (INCLUDES ITEM 5).....	1
5	*		ELECTRONIC FLASHER.....	1
6	19344G1		VINYL TAPE (NOT ILLUSTRATED).....	1
7				
8	31539G1		NYLON CLAMP, 15.5" (NOT ILLUSTRATED) .....	2
9	664706		HORN JUMPER.....	1



# ELECTRICAL SYSTEM

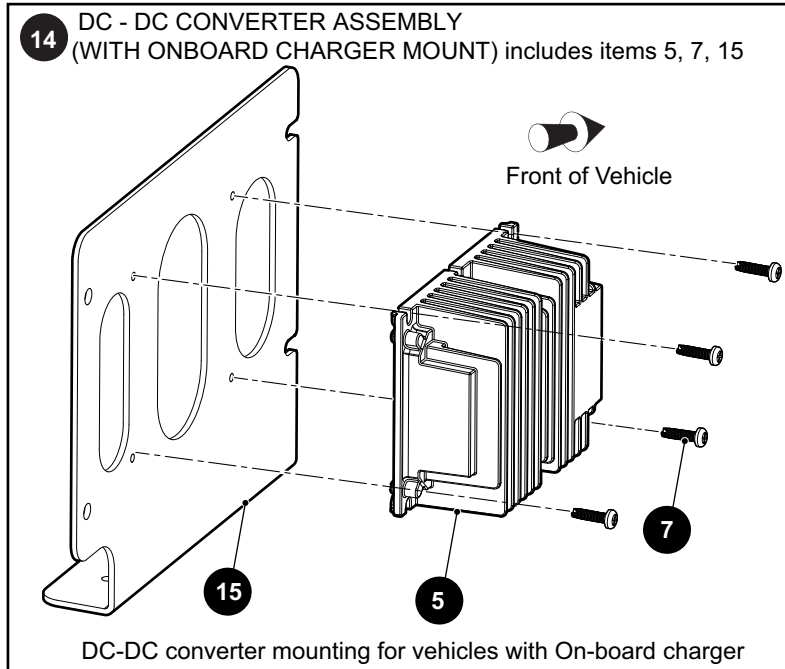
THE USE OF NON U.L. PARTS WILL VOID ANY U.L. LISTING.

When ordering parts, please specify the model and serial number of the product.

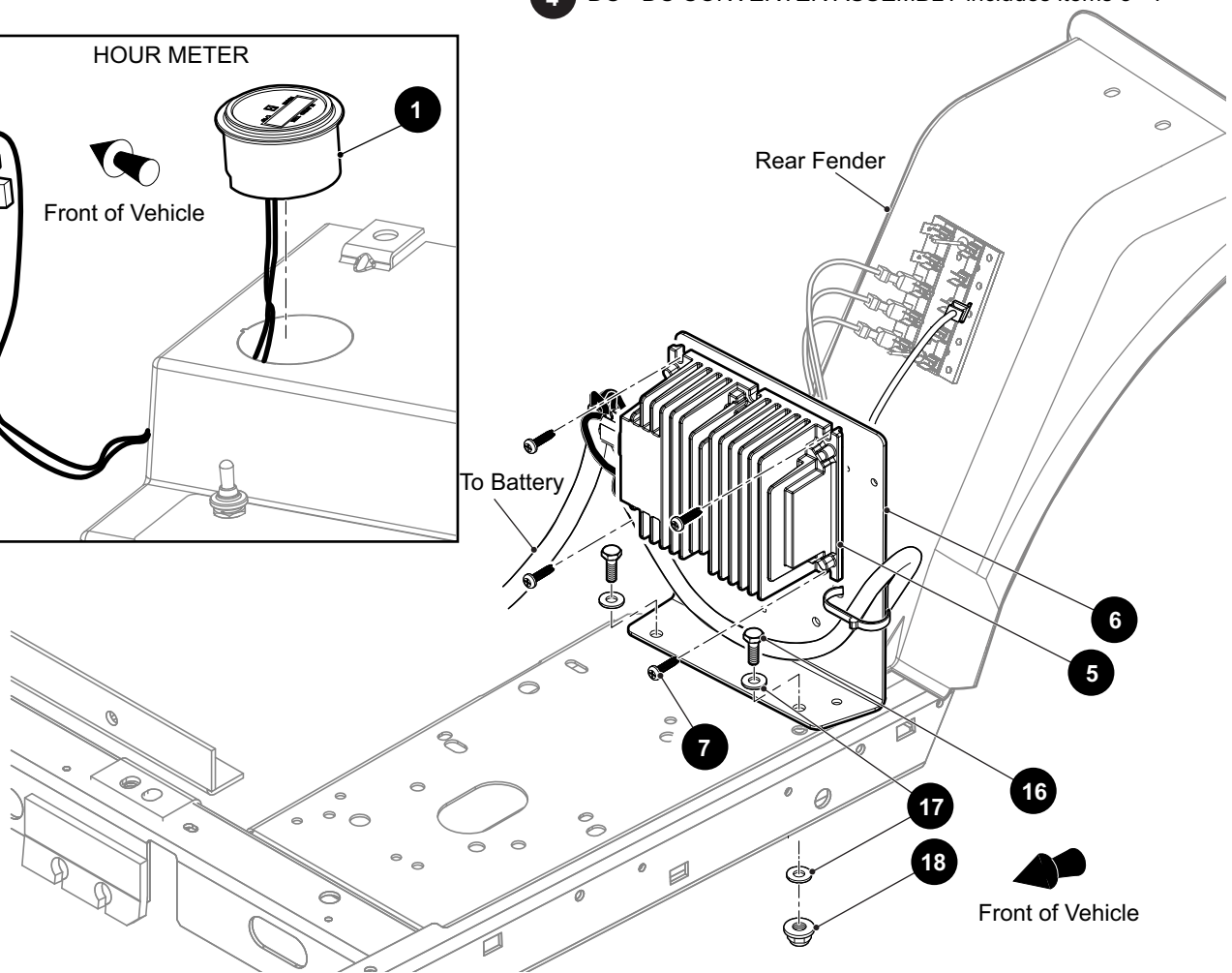
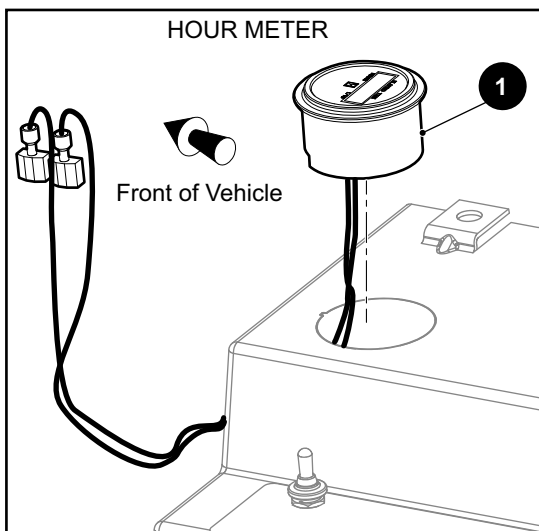
\* Indicates a component that is not available as an individual part.

\*\*\* Indicates consult Customer Service Department for additional information.

ITEM	PART NO.	1 2 3 4 5	DESCRIPTION	QTY.
1	614015		BATTERY, 8V .....	6
2	614381		BATTERY, 8V, (FOR USE WITH HYDROLINK WATERING SYSTEM) .....	6
3	618594		BATTERY, 8V .....	6
4	618595		BATTERY, 8V .....	6
5	612867		BATTERY RETAINER .....	1
6	01101G01		HOLD DOWN BOLT, 5/16" - 18 X 9.28" LG .....	2
7	11027G1		FLANGED LOCK NUT, 5/16" - 18 .....	2
8	614457		SNAKE HYDROLINK .....	1
9	613237		6 AWG WIRE (BLUE), 150 MM LG .....	1
10	613236		6 AWG WIRE (BLUE), 380 MM LG .....	4
11				
12	615352		POLYPROPYLENE CLAMP (NOT ILLUSTRATED) .....	1
13	613304		CHARGER RECEPTACLE, 48V .....	1
14	610536		CHARGER RECEPTACLE, 48V (ON-BOARD) .....	1
15	31539G1		NYLON CLAMP, 15.5" LG .....	5
16				
17	17618G1		NYLON CLAMP, 7" LG .....	8
18				
19	638478		CHARGER RECEPTACLE, 48V (ON-BOARD) (FOR CE VEHICLES) .....	1
20	639167		RECEPTACLE BRACKET (FOR CE VEHICLES) .....	1
21	639412		RECEPTACLE COVER PLATE (FOR CE VEHICLES) .....	1
22	14601G13		RIVET, 5/32 X 9/16 (FOR CE VEHICLES) .....	4
23	00379G4		PAN HEAD PHILLIPS SCREW, #10 -24 X 1/2" LG (FOR CE VEHICLES) .....	4
24	14390G10		LOCK NUT, #10 - 24 (FOR CE VEHICLES) .....	4
25				
26	676122		TROJAN HAND PUMP KIT .....	1
27	71055G02		RIVET, 3/16" DIA .....	4
28	671588		FERRITE CLAMP, 13.05MM I.D. .....	1
29	679118		SPLASH SHIELD .....	1
30	614521		REGULATED HOSE, 20FT .....	1
31	655019		RUBBER BOOT, RUN-TOW SWITCH .....	1



**4** DC - DC CONVERTER ASSEMBLY includes items 5 - 7





# ELECTRICAL SYSTEM

THE USE OF NON U.L. PARTS WILL VOID ANY U.L. LISTING.

When ordering parts, please specify the model and serial number of the product.

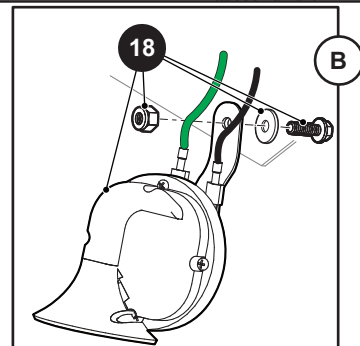
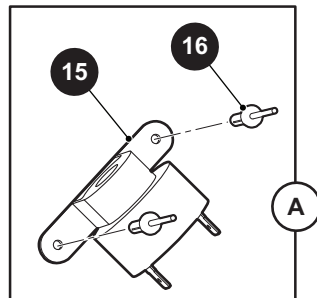
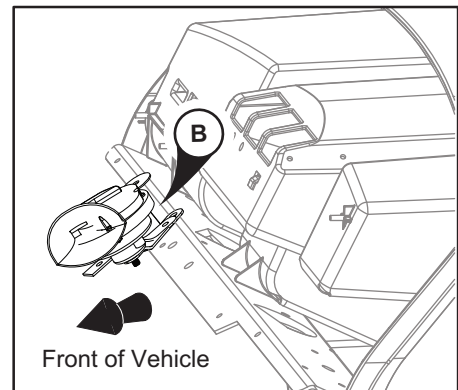
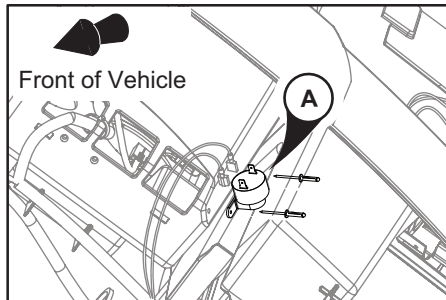
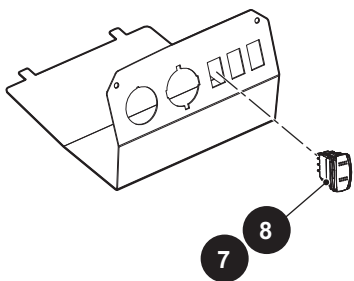
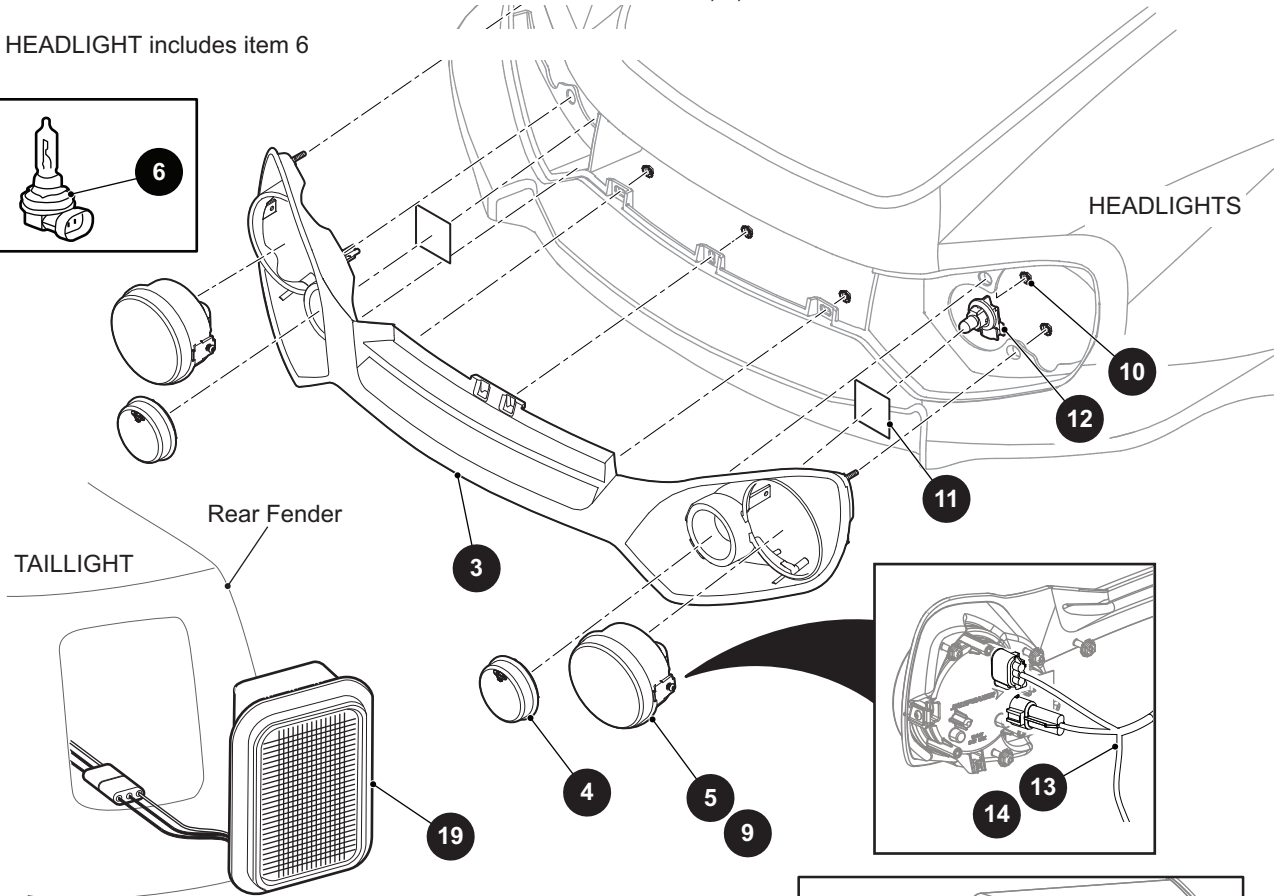
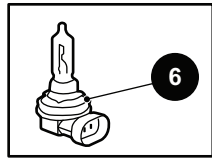
\* Indicates a component that is not available as an individual part.

\*\*\* Indicates consult Customer Service Department for additional information.

ITEM	PART NO.	1 2 3 4 5	DESCRIPTION	QTY.
1	617074		HOUR METER.....	1
2				
3				
4	656108		DC-DC CONVERTER ASSEMBLY (INCLUDES ITEMS 5 - 7).....	1
5	632185		DC-DC CONVERTER .....	1
6	633303		DC-DC CONVERTER BRACKET .....	1
7	632372		SELF TAPPING SCREW, #10 - 32 X 3/4" LG .....	4
8				
9				
10				
11				
12				
13				
14	664143		DC-DC CONVERTER ASSEMBLY (WITH ONBOARD CHARGER MOUNT) (INCLUDES ITEMS 5, 7, 15) .....	1
15	667173		DC-DC CONVERTER BRACKET .....	1
16	00414G6		HEX HEAD BOLT, 1/4" - 20 X 3/4" LG .....	2
17	00559G7		FLAT WASHER, 1/4" .....	4
18	11027G2		FLANGED LOCK NUT, 1/4" - 20 .....	2

# ELECTRICAL SYSTEM

- 1 FRONT GRILLE ASSEMBLY WITH LIGHTS includes items 3 - 5
- 2 FRONT GRILLE ASSEMBLY WITH LED LIGHTS includes items 3, 4, 9
- 5 HEADLIGHT includes item 6



# ELECTRICAL SYSTEM

THE USE OF NON U.L. PARTS WILL VOID ANY U.L. LISTING.

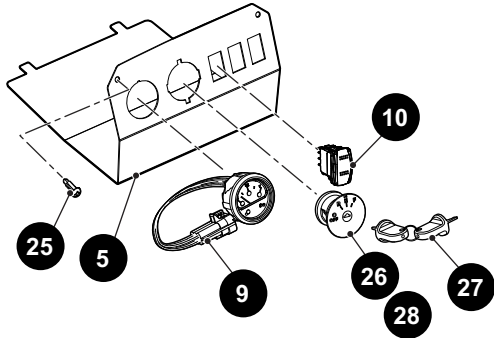
When ordering parts, please specify the model and serial number of the product.

\* Indicates a component that is not available as an individual part.

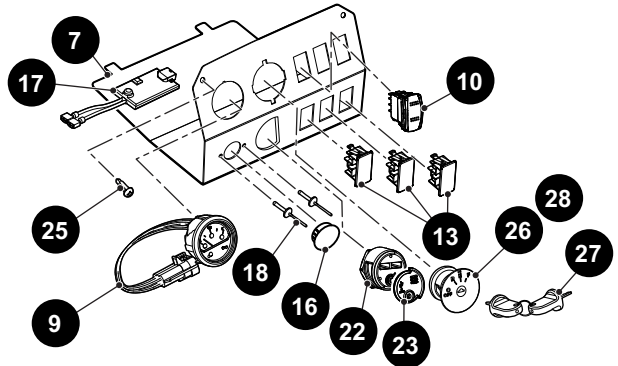
\*\*\* Indicates consult Customer Service Department for additional information.

ITEM	PART NO.	1 2 3 4 5	DESCRIPTION	QTY.
1	651698G01		FRONT GRILLE ASSEMBLY WITH LIGHTS (INCLUDES ITEMS 3 - 5) .....	1
2	651698G03		FRONT GRILLE ASSEMBLY WITH LED LIGHTS (INCLUDES ITEMS 3, 4, 9).....	1
3	648564		FRONT GRILLE .....	1
4	651437		LENS COVER .....	2
5	651411G01		HEADLIGHT (INCLUDES ITEM 6).....	2
6	619100		HEADLIGHT BULB .....	1
7	651897G02		HEADLIGHT SWITCH, 2 - POSITION .....	1
8	651897G03		HEADLIGHT SWITCH, 3 - POSITION .....	1
9	651411G03		LED HEADLIGHT .....	2
10	71597G01		SELF THREADING NUT, 5 X 10 X 15MM .....	9
11	71781G02		VINYL TAPE (FOR VEHICLES WITHOUT TURN SIGNAL LIGHTS) .....	2
12	619102		TURN SIGNAL BULB .....	2
13	670038		JUMPER HARNESS, HI/LOW LED HEADLIGHT (FOR VEHICLES MANUFACTURED BEFORE OCTOBER 14, 2018) .....	1
14	677730		JUMPER HARNESS, HI/LOW LED HEADLIGHT (FOR VEHICLES MANUFACTURED AFTER OCTOBER 14, 2018).....	1
15	613271		REVERSE BUZZER.....	1
16	01041G01		ALUMINUM RIVET, 5/32" .....	2
17				
18	32860G01		HORN.....	1
19	32739G3		TAILLIGHT .....	1

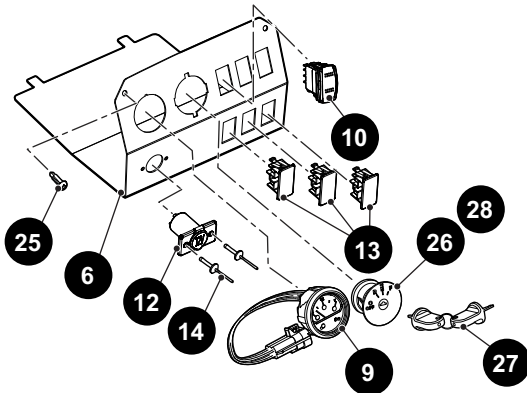
**1** GAUGE PLATE WITH FUEL ASSEMBLY  
includes items 5, 9, 10



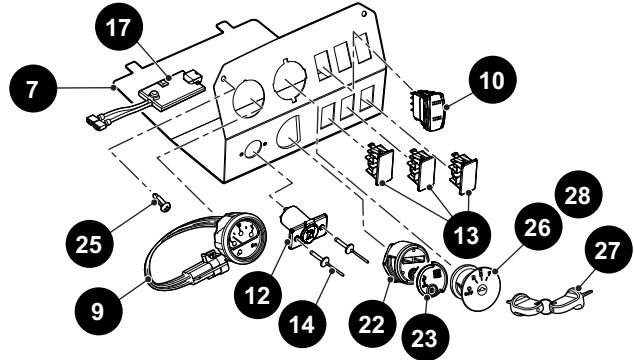
**3** GAUGE PLATE WITH USB, FUEL ASSEMBLY  
includes items 7, 9, 10, 13, 16 - 19, 21



**2** GAUGE PLATE WITH 12V, FUEL ASSEMBLY  
includes items 6, 9, 10, 12 - 14



**4** GAUGE PLATE 12V, USB, FUEL ASSEMBLY  
includes items 7 - 14, 17, 19, 21



**21** USB PORT HOUSING ASSEMBLY  
includes items 22 - 23

# ELECTRICAL SYSTEM

THE USE OF NON U.L. PARTS WILL VOID ANY U.L. LISTING.

When ordering parts, please specify the model and serial number of the product.

\* Indicates a component that is not available as an individual part.

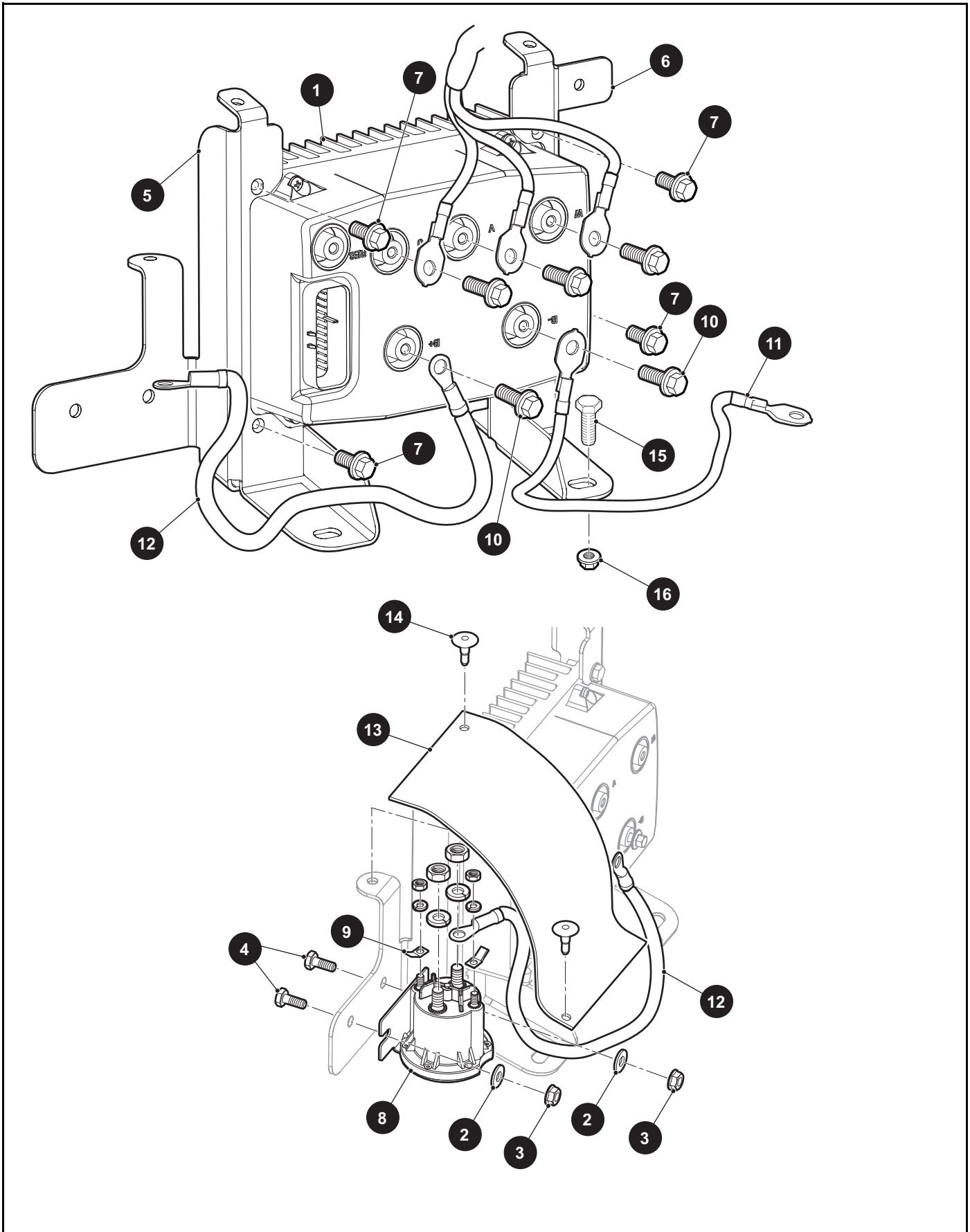
\*\*\* Indicates consult Customer Service Department for additional information.

ITEM	PART NO.	1 2 3 4 5	DESCRIPTION	QTY.
1	666085G02		GAUGE PLATE WITH FUEL ASSEMBLY (INCLUDES ITEMS 5, 9, 10).....	1
2	666085G04		GAUGE PLATE WITH 12V, FUEL ASSEMBLY (INCLUDES ITEMS 6, 9, 10, 12 -14) .....	1
3	666085G06		GAUGE PLATE WITH USB, FUEL ASSEMBLY (INCLUDES ITEMS 7, 9, 10, 13, 16 - 19, 21) .....	1
4	666085G08		GAUGE PLATE WITH 12V, USB, FUEL ASSEMBLY (INCLUDES ITEMS 7 - 14, 17, 19, 21) .....	1
5	662083G01		GAUGE PLATE .....	1
6	662083G02		GAUGE PLATE WITH 12V .....	1
7	662083G03		GAUGE PLATE WITH 12V, USB .....	1
8				
9	612314		STATE OF CHARGE FUEL METER.....	1
10	651897G01		HORN SWITCH, 2 POSITION.....	1
11				
12	71078G01		12V POWER OUTLET.....	1
13	627035		PLUG.....	1
14	71055G01		RIVET, 3/16" DIA .....	2
15				
16	20271G10		HOLE PLUG, 1.125" LG .....	1
17	638233		ELECTRONICS USB.....	1
18	33623G02		DRIVE RIVET .....	2
19	17618G1		NYLON CLAMP, 7" LG (NOT ILLUSTRATED) .....	1
20				
21	639384		USB PORT HOUSING ASSEMBLY (INCLUDES ITEMS 22 - 23).....	1
22	639383		USB PORT HOUSING .....	1
23	639382		USB PORT LID .....	1
24				
25	649803		PAN HEAD TORX SCREW, M6 X 2.65 - 25MM LG.....	2
26	611283		KEYSWITCH.....	1
27	611282		KEY SET .....	1
28	609692		KEYSWITCH AND KEY SET (Unique keyed).....	1





# ELECTRONIC SPEED CONTROL





## ELECTRONIC SPEED CONTROL

THE USE OF NON U.L. PARTS WILL VOID ANY U.L. LISTING.

When ordering parts, please specify the model and serial number of the product.

\* Indicates a component that is not available as an individual part.

\*\*\* Indicates consult Customer Service Department for additional information.

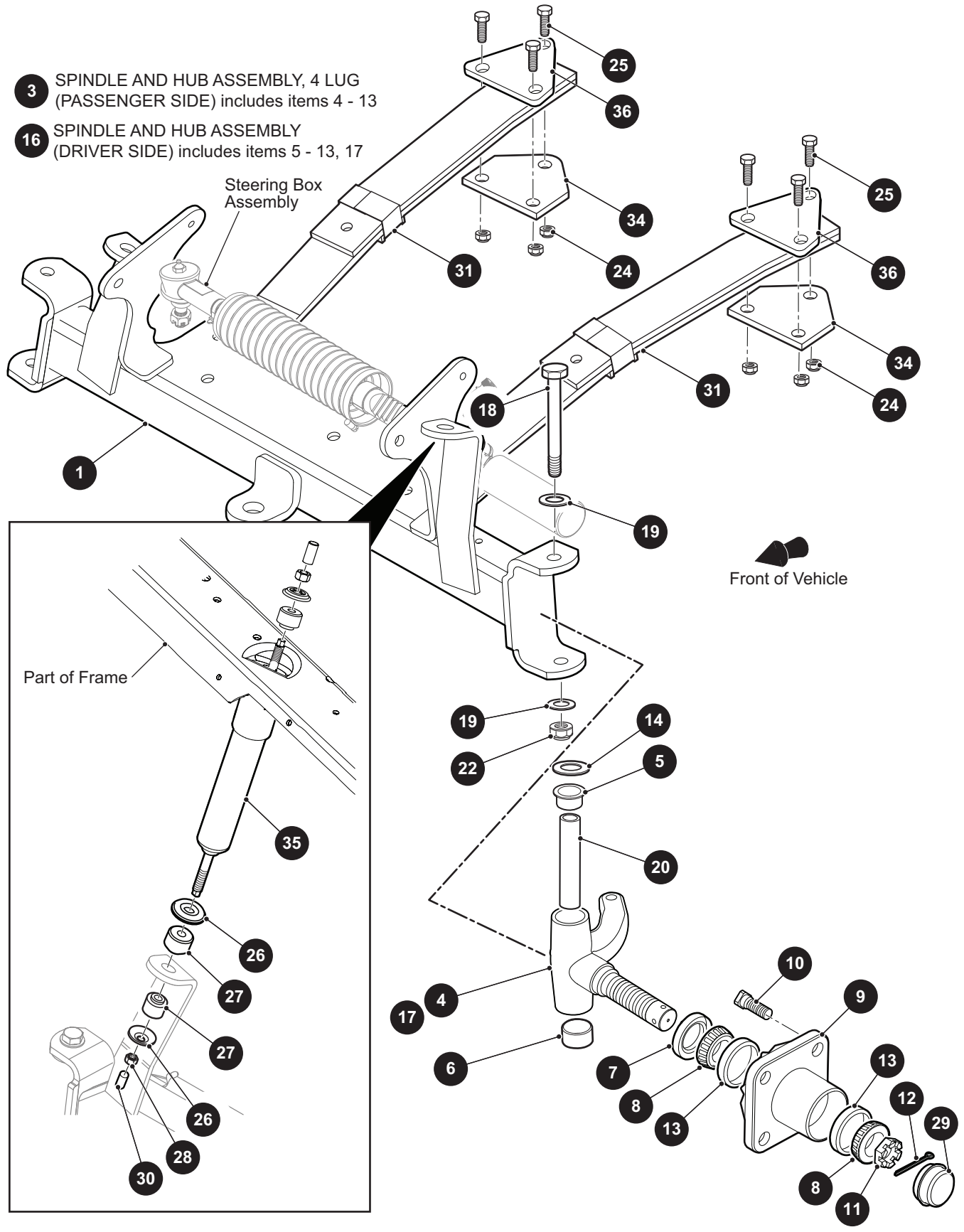
ITEM	PART NO.	1 2 3 4 5	DESCRIPTION	QTY.
1	667000G04		CONTROLLER, 1206AC-5234 .....	1
2	01110G01		FLAT WASHER, 1/4" .....	2
3	11027G2		FLANGED LOCK NUT, 1/4" - 20.....	2
4	00414G5		HEX HEAD BOLT, 1/4" - 20 X 1/2" LG.....	2
5	663609G06		CONTROLLER BRACKET, FRONT.....	1
6	663609G08		CONTROLLER BRACKET, REAR.....	1
7	606264		FLANGED HEX HEAD BOLT, M6 - 1 X 20MM LG.....	4
8	612711		SOLENOID, 48V .....	1
9	12914G1		PUSH ON MALE TERMINAL.....	2
10	73876G01		FLANGED HEX HEAD BOLT, M6 - 1 X 12MM LG.....	5
11	620437		WIRE ASSEMBLY (BLUE), 6AWG, 675MM.....	1
12	620432		WIRE ASSEMBLY (GREEN), 4AWG, 400MM .....	1
13	667126		RUBBER COVER .....	1
14	610487		PLASTIC RIVET, .256.....	2
15	00438G6		HEX HEAD BOLT, 5/16" - 18 X 3/4" LG.....	2
16	11027G1		FLANGED LOCK NUT, 5/16" - 18.....	2





# FRONT SUSPENSION AND STEERING

- 3** SPINDLE AND HUB ASSEMBLY, 4 LUG (PASSENGER SIDE) includes items 4 - 13
- 16** SPINDLE AND HUB ASSEMBLY (DRIVER SIDE) includes items 5 - 13, 17



## FRONT SUSPENSION AND STEERING

THE USE OF NON U.L. PARTS WILL VOID ANY U.L. LISTING.

When ordering parts, please specify the model and serial number of the product.

\* Indicates a component that is not available as an individual part.

\*\*\* Indicates consult Customer Service Department for additional information.

ITEM	PART NO.	1 2 3 4 5	DESCRIPTION	QTY.
1	652465		FRONT AXLE, NARROW .....	1
2				
3	70942G03		SPINDLE AND HUB ASSEMBLY, 4 LUG (PASSENGER SIDE) (INCLUDES ITEMS 4 - 13) .....	1
4	70940G02		SPINDLE ASSEMBLY .....	1
5	632925		FLANGED BUSHING, O.D 35MM X I.D 25MM .....	1
6	632926		BEARING, O.D 28MM .....	1
7	25146G1		GREASE SEAL .....	1
8	11750G2		ROLLER BEARING AND RACE ASSEMBLY .....	2
9	70589G01		WHEEL HUB .....	1
10	19862G1		WHEEL HUB BOLT, 1/2" - 20 X 1.218" LG .....	4
11	12093G1		SLOTTED NUT, #1 - 14 .....	1
12	00798G8		COTTER PIN, 5/32" X 1 3/4" LG .....	1
13	51141G1		RACE BEARING .....	2
14	70754G01		THRUST WASHER (SS), 1.3" .....	1
15				
16	70673G03		SPINDLE AND HUB ASSEMBLY, 4 LUG (DRIVER SIDE) (INCLUDES ITEMS 5 - 13, 17) .....	1
17	70742G02		SPINDLE ASSEMBLY .....	1
18	00407G6		HEX HEAD BOLT, 1/2" - 13 X 6" LG .....	1
19	00560G3		FLAT WASHER, 1/2" .....	2
20	70745G01		KING PIN TUBE .....	1
21				
22	14390G6		LOCK NUT, 1/2" - 13 .....	1
23				
24	00734G1		LOCK NUT, 7/16" - 14 .....	6
25	650940		HEX HEAD BOLT, 7/16" - 14 X 2" LG .....	6
26	10435G1		SHOCK ABSORBER WASHER .....	4
27	10194G1		RUBBER SHOCK ABSORBER BUSHING .....	4
28	00532G6		HEX NUT, 1/4" - 20 .....	2
29	12091G2		SPINDLE CAP .....	1
30	10044G01		VINYL CAP .....	2

# FRONT SUSPENSION AND STEERING

THE USE OF NON U.L. PARTS WILL VOID ANY U.L. LISTING.

When ordering parts, please specify the model and serial number of the product.

\* Indicates a component that is not available as an individual part.

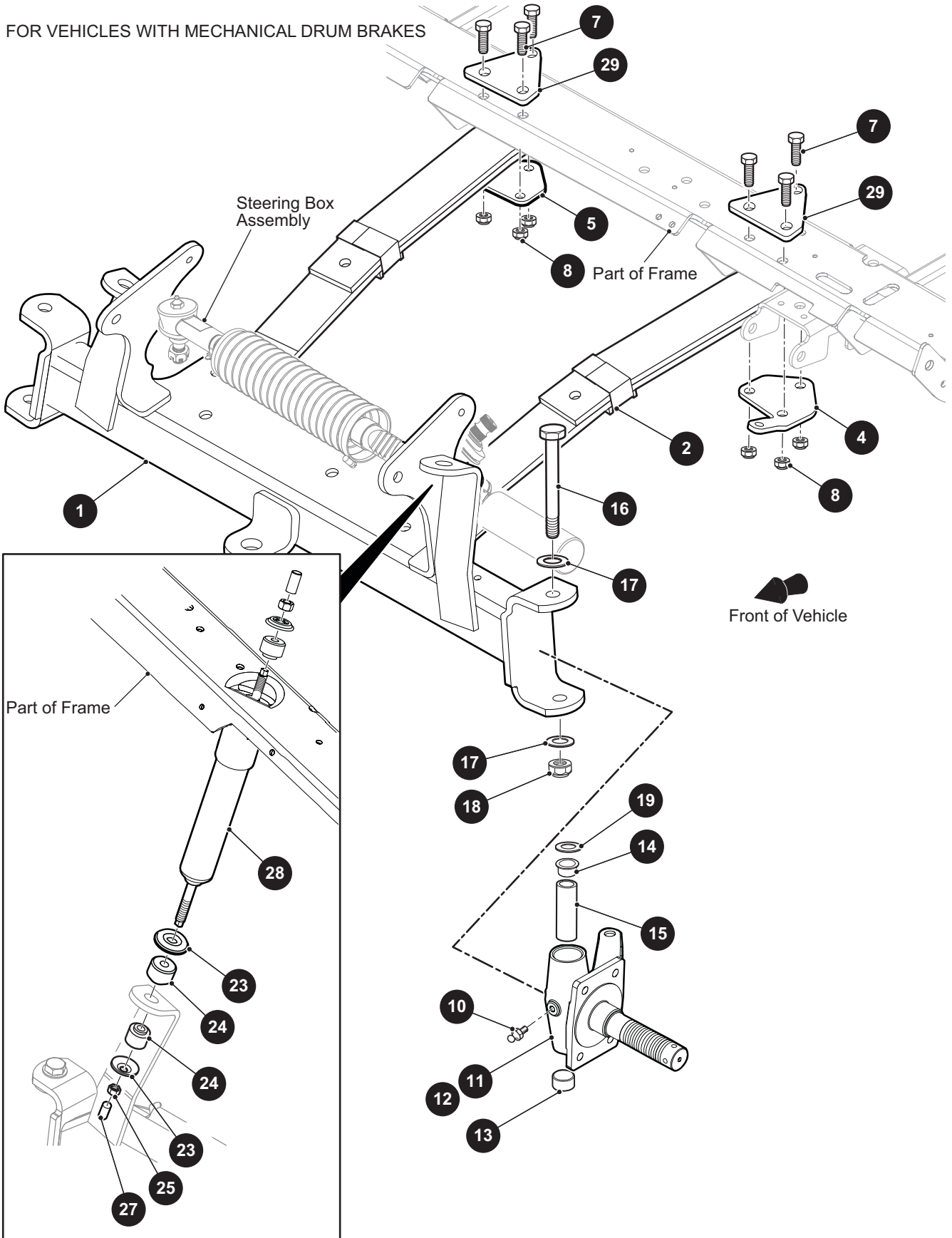
\*\*\* Indicates consult Customer Service Department for additional information.

ITEM	PART NO.	1 2 3 4 5	DESCRIPTION	QTY.
31	70664G03		LEAF SPRING, 185 LBS .....	2
32				
33				
34	652258		SPRING PLATE .....	2
35	76419G01		SHOCK ABSORBER .....	1
36	658891		FRONT SUSPENSION UPPER PLATE .....	2



# FRONT SUSPENSION AND STEERING

FOR VEHICLES WITH MECHANICAL DRUM BRAKES





## FRONT SUSPENSION AND STEERING

THE USE OF NON U.L. PARTS WILL VOID ANY U.L. LISTING.

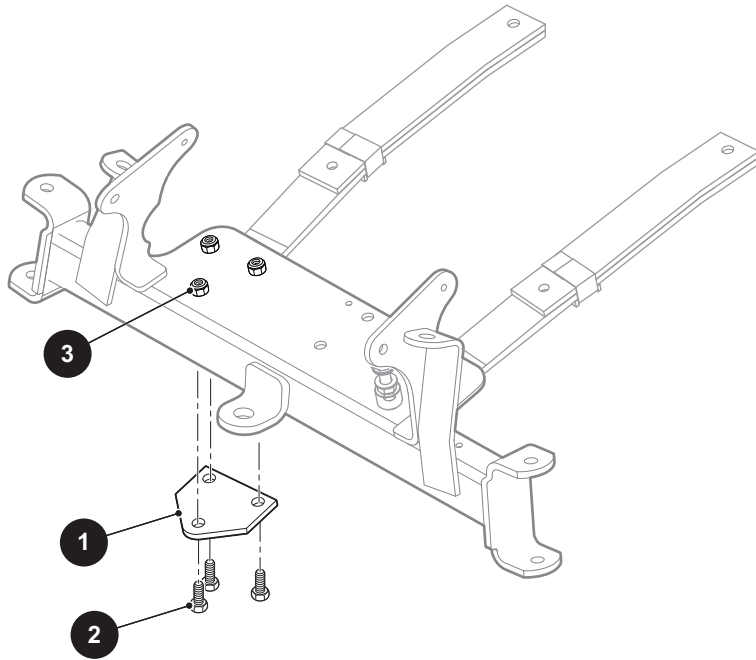
When ordering parts, please specify the model and serial number of the product.

\* Indicates a component that is not available as an individual part.

\*\*\* Indicates consult Customer Service Department for additional information.

ITEM	PART NO.	1 2 3 4 5	DESCRIPTION	QTY.
1	652465		FRONT AXLE, NARROW .....	1
2	70664G03		LEAF SPRING, 185 LBS.....	2
3	652258		SPRING PLATE .....	2
4	74731G01		SPRING PLATE (DRIVER SIDE).....	1
5	74731G02		SPRING PLATE (PASSENGER SIDE) .....	1
6				
7	650940		HEX HEAD BOLT, 7/16" - 14 X 2" LG .....	6
8	00734G1		LOCK NUT, 7/16" - 14.....	6
9				
10	10389G3		GREASE FITTING .....	1
11	674927		SPINDLE (PASSENGER SIDE) .....	1
12	674883		SPINDLE (DRIVER SIDE) .....	1
13	632926		SLEEVE BUSHING, 28MM O.D. X 25MM I.D. X 15MM LG .....	1
14	632925		FLANGED BUSHING 28MM O.D. X 25MM I.D. X 16.5MM LG .....	1
15	70745G01		KING PIN TUBE.....	1
16	00407G6		HEX HEAD BOLT, 1/2" - 13 X 6" LG .....	1
17	00560G3		FLAT WASHER, 1/2".....	2
18	14390G6		LOCK NUT, 1/2" - 13.....	1
19	70754G01		THRUST WASHER (SS), 1.3" .....	1
20				
21				
22				
23	10435G1		SHOCK ABSORBER WASHER.....	4
24	10194G1		RUBBER SHOCK ABSORBER BUSHING .....	4
25	00532G6		HEX NUT, 1/4" - 20 .....	2
26				
27	10044G01		VINYL CAP.....	2
28	76419G01		SHOCK ABSORBER.....	1
29	658891		FRONT SUSPENSION UPPER PLATE.....	2

# FRONT SUSPENSION AND STEERING



## FRONT SUSPENSION AND STEERING

THE USE OF NON U.L. PARTS WILL VOID ANY U.L. LISTING.

When ordering parts, please specify the model and serial number of the product.

\* Indicates a component that is not available as an individual part.

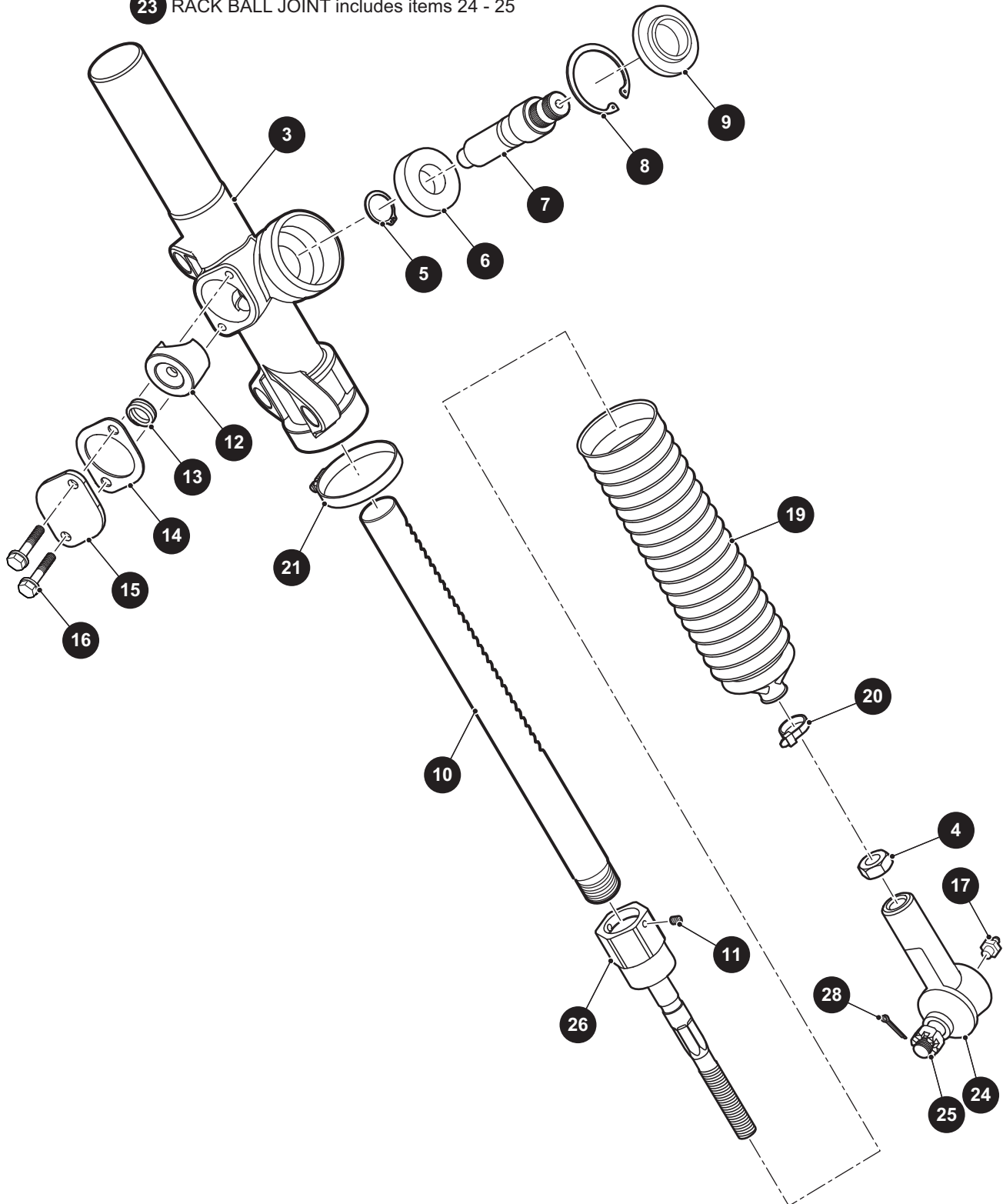
\*\*\* Indicates consult Customer Service Department for additional information.

ITEM	PART NO.	1 2 3 4 5	DESCRIPTION	QTY.
1	652258		SPRING PLATE .....	2
2	00463G11		HEX HEAD BOLT, 7/16" - 14 X 1 1/2" LG .....	5
3	00734G1		LOCK NUT, 7/16" - 14 .....	5

# FRONT SUSPENSION AND STEERING

**1** STEERING BOX ASSEMBLY includes items 3 - 26

**23** RACK BALL JOINT includes items 24 - 25



## FRONT SUSPENSION AND STEERING

THE USE OF NON U.L. PARTS WILL VOID ANY U.L. LISTING.

When ordering parts, please specify the model and serial number of the product.

\* Indicates a component that is not available as an individual part.

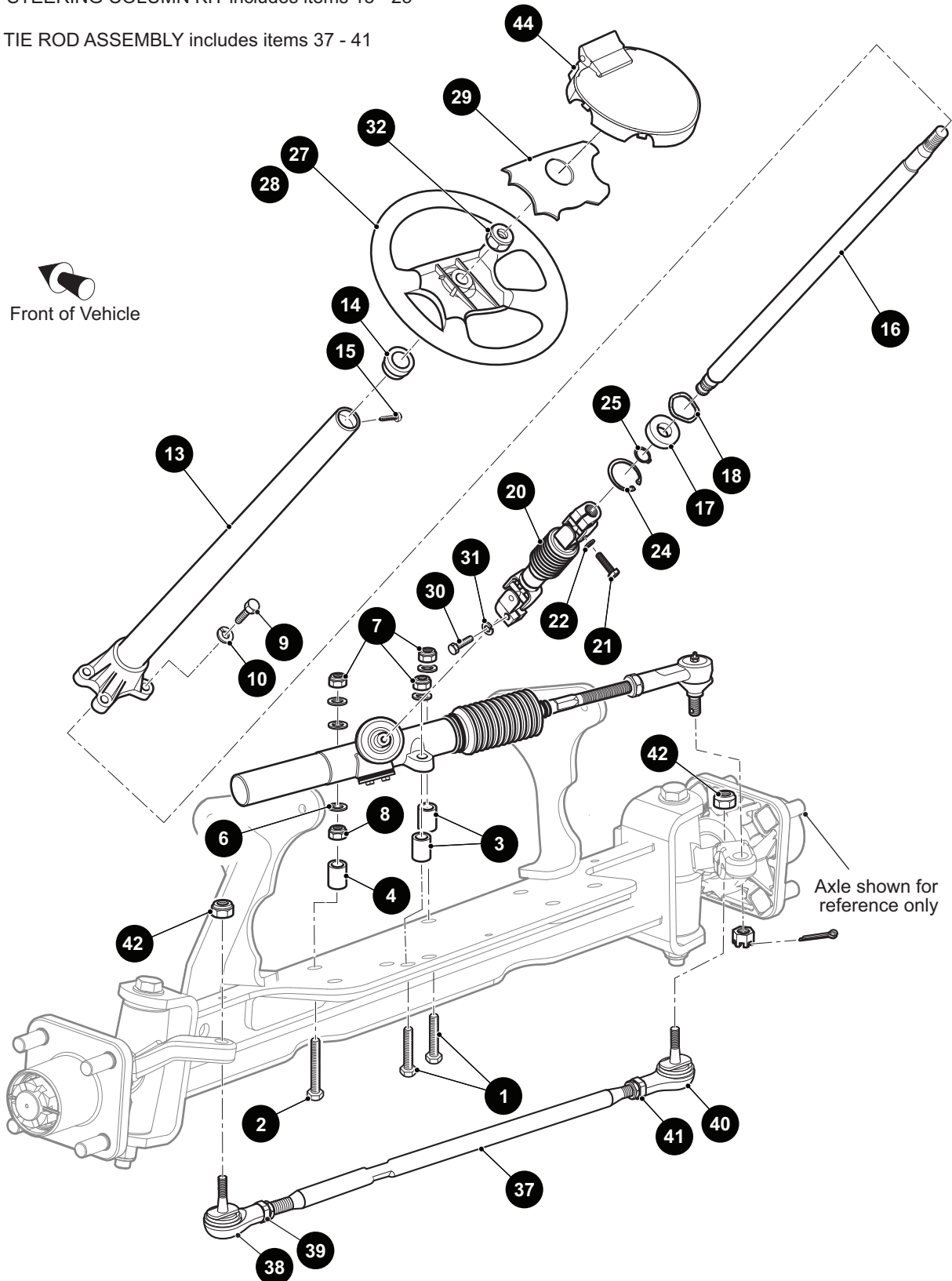
\*\*\* Indicates consult Customer Service Department for additional information.

ITEM	PART NO.	1 2 3 4 5	DESCRIPTION	QTY.
1	70964G01		STEERING BOX ASSEMBLY (INCLUDES ITEMS 3 - 26) .....	1
2				
3	70965G01		STEERING RACK COVER AND BEARING .....	1
4	*		JAM NUT, 1/2" - 20 .....	1
5	70750G01		RETAINING RING (EXTERNAL) .....	1
6	15112G1		BALL BEARING .....	1
7	70603G01		PINION .....	1
8	70751G01		RETAINING RING (INTERNAL) .....	1
9	70638G01		SEAL (PINION) .....	1
10	70604G01		STEERING RACK .....	1
11	*		SET SCREW, #10 - 32 X .25" LG .....	1
12	70590G01		RACK LOADER .....	1
13	70666G01		COMPRESSION SPRING .....	1
14	70645G01		GASKET (RACK LOADER COVER) .....	1
15	652259		COVER (RACK LOADER) .....	1
16	71102G01		HEX WASHER HEAD BOLT, 1/4" - 20 X 11/16" LG .....	2
17	10389G3		GREASE FITTING (STRAIGHT) .....	1
18				
19	70961G01		RACK BOOT .....	1
20	12416G2		NYLON CLAMP, 10" LG .....	1
21	11391G8		HOSE CLAMP, 1.81" .....	1
22				
23	70695G01		TIE ROD END (OUTER) (INCLUDES ITEMS 24 - 25) .....	1
24	50641G1		GROMMET .....	1
25	50209G2		HEX SLOTTED NUT, 7/16" - 20 .....	1
26	74694G01		ROD END (INNER) .....	1
27				
28	10387G2		COTTER PIN, 3/32" X 1" .....	1

# FRONT SUSPENSION AND STEERING

12 STEERING COLUMN KIT includes items 13 - 25

36 TIE ROD ASSEMBLY includes items 37 - 41



## FRONT SUSPENSION AND STEERING

THE USE OF NON U.L. PARTS WILL VOID ANY U.L. LISTING.

When ordering parts, please specify the model and serial number of the product.

\* Indicates a component that is not available as an individual part.

\*\*\* Indicates consult Customer Service Department for additional information.

ITEM	PART NO.	1 2 3 4 5	DESCRIPTION	QTY.
1	00464G8		HEX HEAD BOLT, 7/16" - 14 X 2 3/4" LG .....	2
2	01068G01		HEX HEAD BOLT, 7/16" - 14 X 3.5" LG .....	1
3	70667G02		SPACER, O.D, 1" X I.D .46" X 1.2" LG .....	2
4	70667G04		SPACER, O.D 1" X I.D .46" X .69" LG .....	1
5				
6	00560G2		FLAT WASHER, 7/16" .....	7
7	00734G1		LOCK NUT, 7/16" - 14 .....	3
8	00532G7		HEX NUT, 1/4" - 20 .....	1
9	01006G01		HEX WASHER HEAD BOLT, 3/8" - 16 X 1 1/4" LG .....	4
10	00879G1		LOCK WASHER, 3/8" .....	4
11				
12	70758G05		STEERING COLUMN ASSEMBLY (INCLUDES ITEMS 13 - 25) .....	1
13	70610G03		STEERING COLUMN.....	1
14	28569G01		STEERING COLUMN BUSHING .....	1
15	01022G01		HEX WASHER HEAD BOLT, #6 - 20 X 5/16" LG .....	1
16	70607G01		STEERING SHAFT.....	1
17	15112G1		BALL BEARING, O.D 1.65" X I.D .78" .....	1
18	70887G01		WAVE WASHER.....	1
19				
20	70580G01		INTERMEDIATE SHAFT .....	1
21	01055G01		HEX HEAD BOLT, M8 - 1.25 X 30MM LG .....	1
22	00565G8		LOCK WASHER, 5/16" .....	2
23				
24	70751G01		RETAINING RING (INTERNAL) .....	1
25	70888G01		RETAINING RING (EXTERNAL) .....	1
26				
27	602980		STEERING WHEEL (PREMIUM).....	1
28	602979		STEERING WHEEL .....	1
29	71147G01		STEERING WHEEL COVER .....	1
30	01055G01		HEX HEAD BOLT, M8 - 1.25 X 30MM LG.....	1
31	00565G8		LOCK WASHER, 5/16" .....	2

# FRONT SUSPENSION AND STEERING

THE USE OF NON U.L. PARTS WILL VOID ANY U.L. LISTING.

When ordering parts, please specify the model and serial number of the product.

\* Indicates a component that is not available as an individual part.

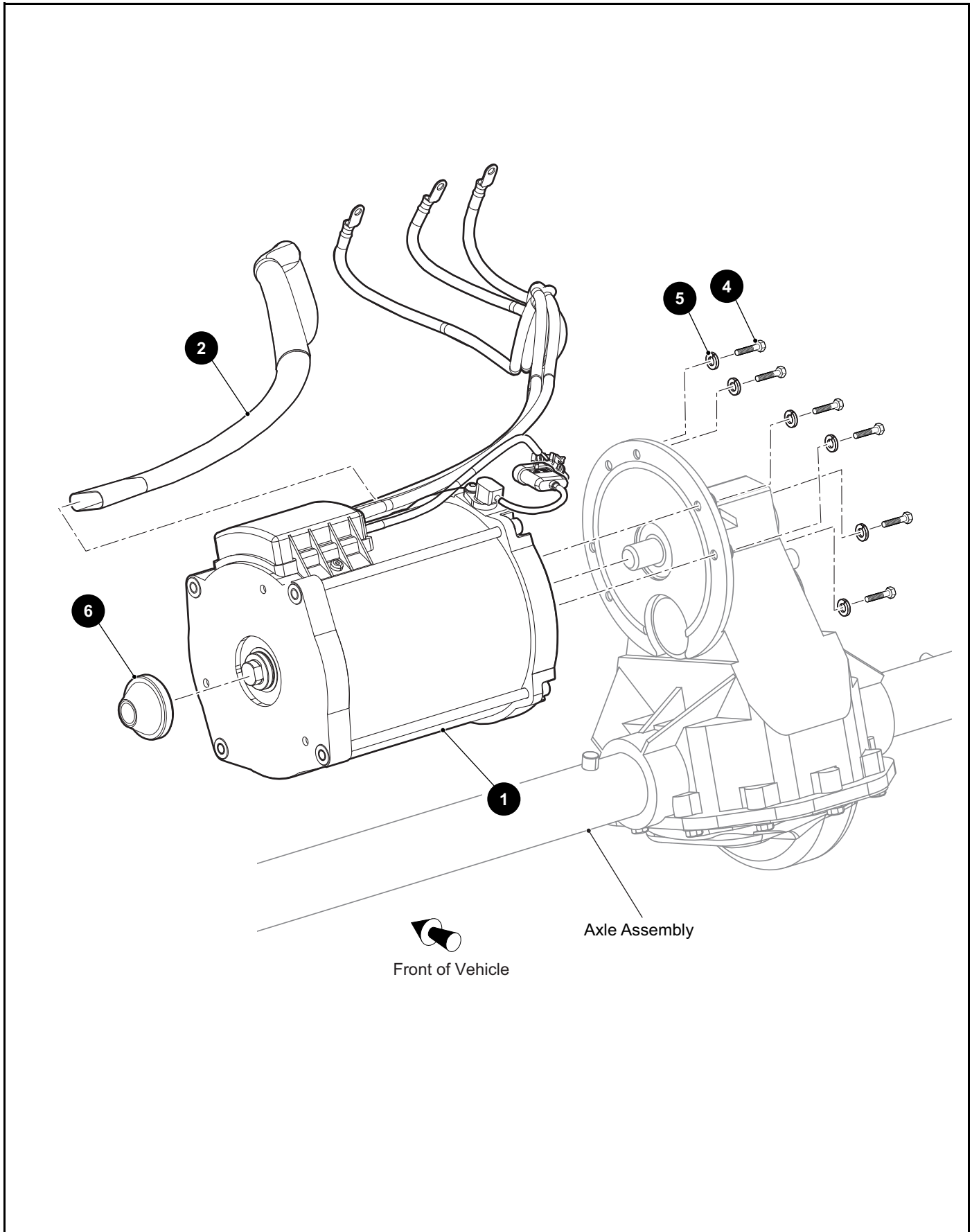
\*\*\* Indicates consult Customer Service Department for additional information.

ITEM	PART NO.	1	2	3	4	5	DESCRIPTION	QTY.
32	14390G2						LOCK NUT, 5/8" - 18 .....	1
33								
34								
35								
36	70876G02						TIE ROD ASSEMBLY, 26.44" LG (INCLUDES ITEMS 37 - 41).....	1
37	70897G02						THREADED ROD (24" LG).....	1
38	70902G01						TIE ROD END (LEFT HAND THREADS) .....	1
39	01069G01						JAM NUT, M12 X 1.25 - 05 (LEFT HAND THREADS).....	1
40	70902G02						TIE ROD END (RIGHT HAND THREADS).....	1
41	01069G02						JAM NUT, M12 X 1.25 - 05 (RIGHT HAND THREADS) .....	1
42	00734G1						LOCK NUT, 7/16" - 14 .....	2
43								
44	652801						SCORECARD HOLDER.....	1





# MOTOR



THE USE OF NON U.L. PARTS WILL VOID ANY U.L. LISTING.

When ordering parts, please specify the model and serial number of the product.

\* Indicates a component that is not available as an individual part.

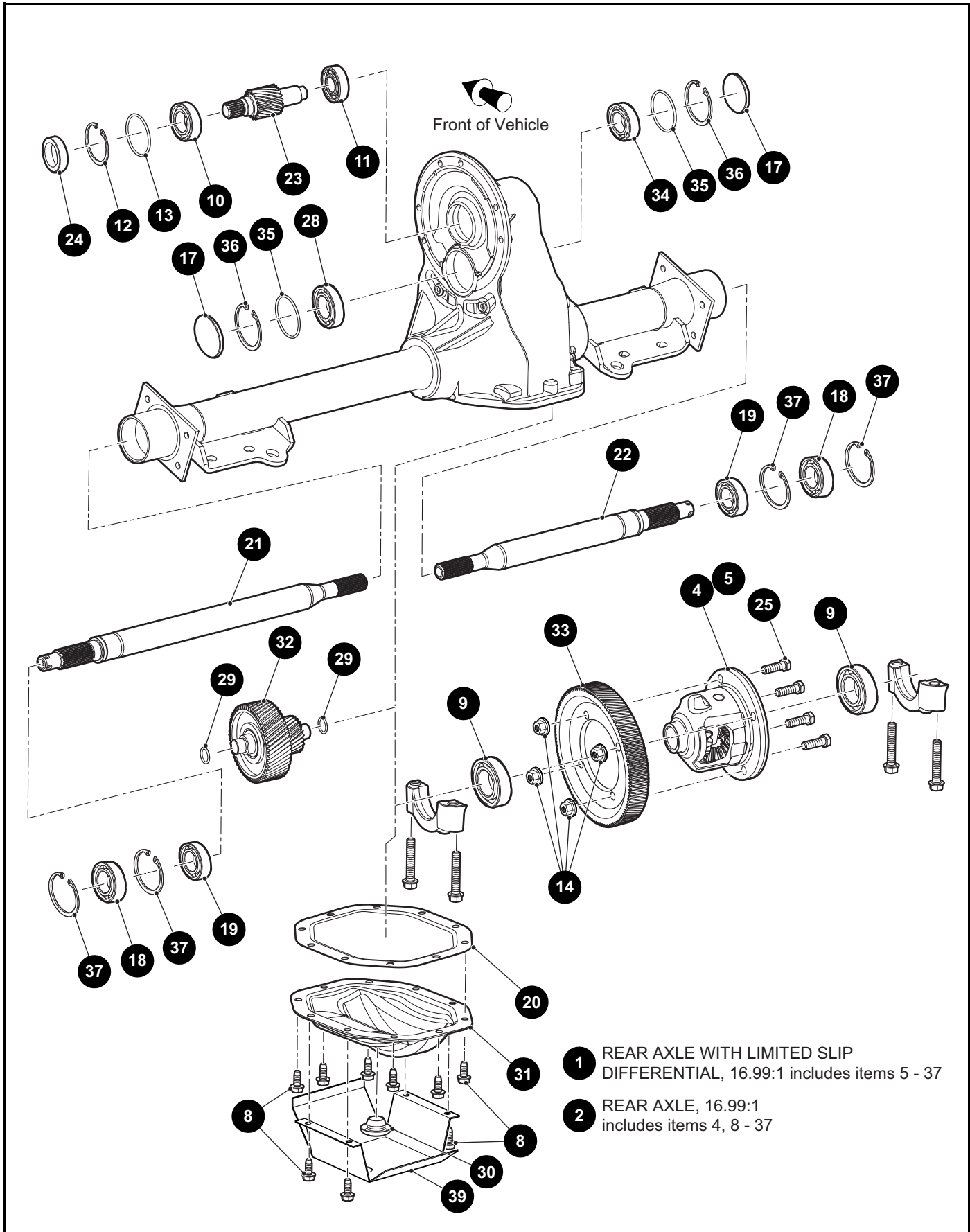
\*\*\* Indicates consult Customer Service Department for additional information.

ITEM	PART NO.	1 2 3 4 5	DESCRIPTION	QTY.
1	666986		MOTOR, 48V AC.....	1
2	605714		FLEX LOOM SLEEVE.....	1
3				
4	605741		HEX HEAD BOLT, M6 - 1 X 25MM LG.....	6
5	601327		LOCK WASHER (SS), M6 .....	6
6	668275		END CAP PLUG .....	1





# REAR AXLE



# REAR AXLE

THE USE OF NON U.L. PARTS WILL VOID ANY U.L. LISTING.

When ordering parts, please specify the model and serial number of the product.

\* Indicates a component that is not available as an individual part.

\*\*\* Indicates consult Customer Service Department for additional information.

ITEM	PART NO.	1 2 3 4 5	DESCRIPTION	QTY.
1	662883		REAR AXLE WITH LIMITED SLIP DIFFERENTIAL, 16.99:1 (INCLUDES ITEMS 5 - 37) .....	1
2	662882		REAR AXLE, 16.99:1 (INCLUDES ITEMS 4, 8 - 37).....	1
3				
4	601082		DIFFERENTIAL ASSEMBLY.....	1
5	614059		LIMITED SLIP DIFFERENTIAL CARRIER WITH CC CLUTCH .....	1
6				
7				
8	15558G1		HEX HEAD BOLT, 5/16" - 18 X .75" LG.....	10
9	17473G1		BEARING ASSEMBLY.....	2
10	23519G2		BALL BEARING SINGLE LIP SEAL .....	1
11	23520G1		BALL BEARING .....	1
12	23530G1		RETAINER RING .....	1
13	24628G1		O-RING SEAL.....	1
14	601084		LOCK NUT, 3/8" - 24.....	4
15				
16				
17	608811		END CAP.....	2
18	620343		BALL BEARING .....	2
19	620344		OIL SEAL .....	2
20	612824		GASKET .....	1
21	666220		AXLE SHAFT (DRIVER SIDE).....	1
22	666221		AXLE SHAFT (PASSENGER SIDE) .....	1
23	620327		INPUT GEAR .....	1
24	620328		OIL SEAL .....	1
25	620335		HEX HEAD BOLT, 3/8" - 24 X 1.25" LG.....	4
26				
27				
28	620340		BALL BEARING .....	1
29	620345		O-RING, 18MM.....	2
30	666219		RUBBER PLUG .....	1

# REAR AXLE

THE USE OF NON U.L. PARTS WILL VOID ANY U.L. LISTING.

When ordering parts, please specify the model and serial number of the product.

\* Indicates a component that is not available as an individual part.

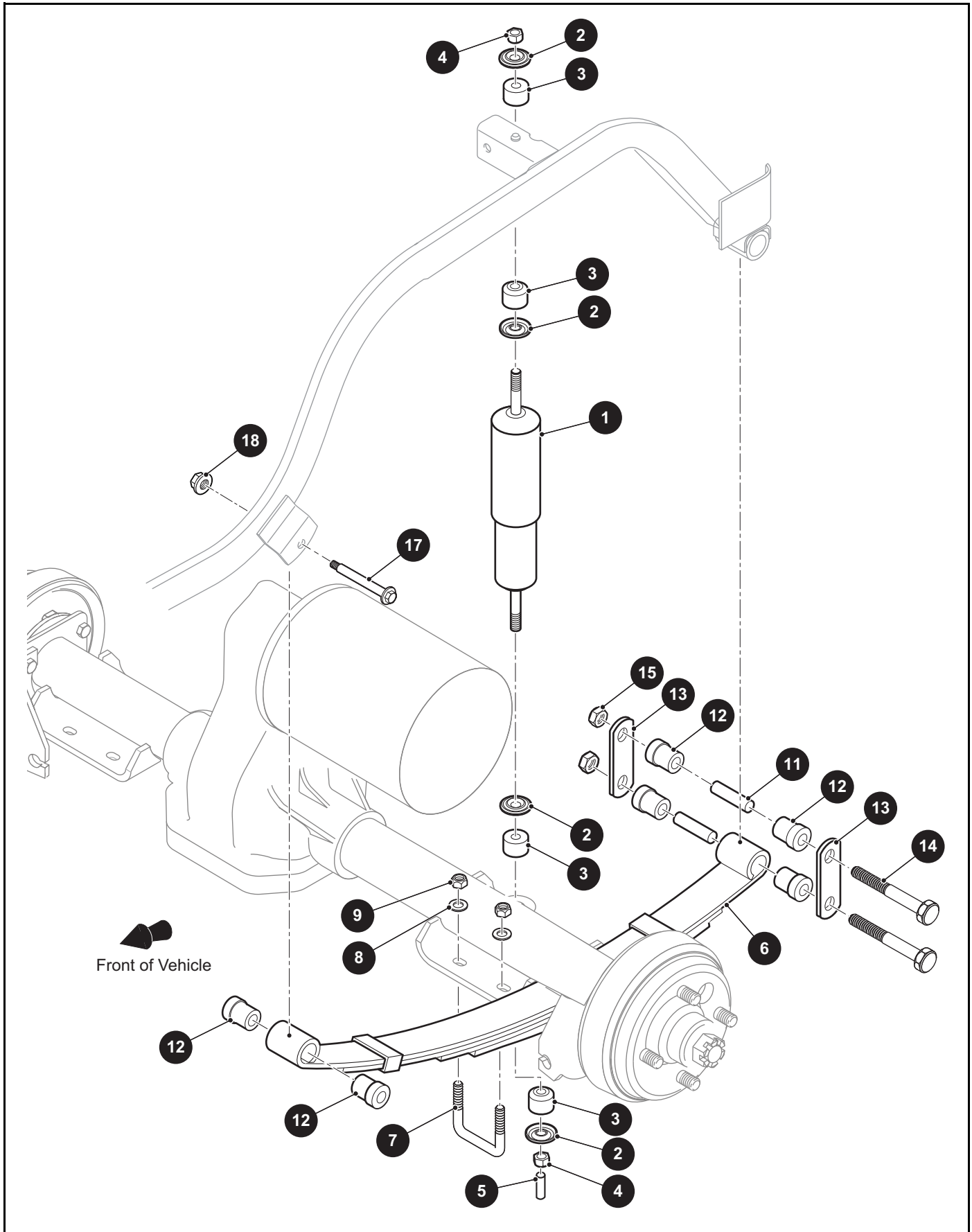
\*\*\* Indicates consult Customer Service Department for additional information.

ITEM	PART NO.	1	2	3	4	5	DESCRIPTION	QTY.
31	620348						DIFFERENTIAL COVER PLATE .....	1
32	620349						INTERMEDIATE GEAR ASSEMBLY .....	1
33	620350						DRIVE GEAR .....	1
34	620355						BALL BEARING.....	1
35	620358						O-RING, 18MM .....	2
36	620359						RETAINING RING .....	2
37	620342						RETAINING RING .....	4
38								
39	72763G02						SCUFF GUARD.....	1





# REAR SUSPENSION



# REAR SUSPENSION

THE USE OF NON U.L. PARTS WILL VOID ANY U.L. LISTING.

When ordering parts, please specify the model and serial number of the product.

\* Indicates a component that is not available as an individual part.

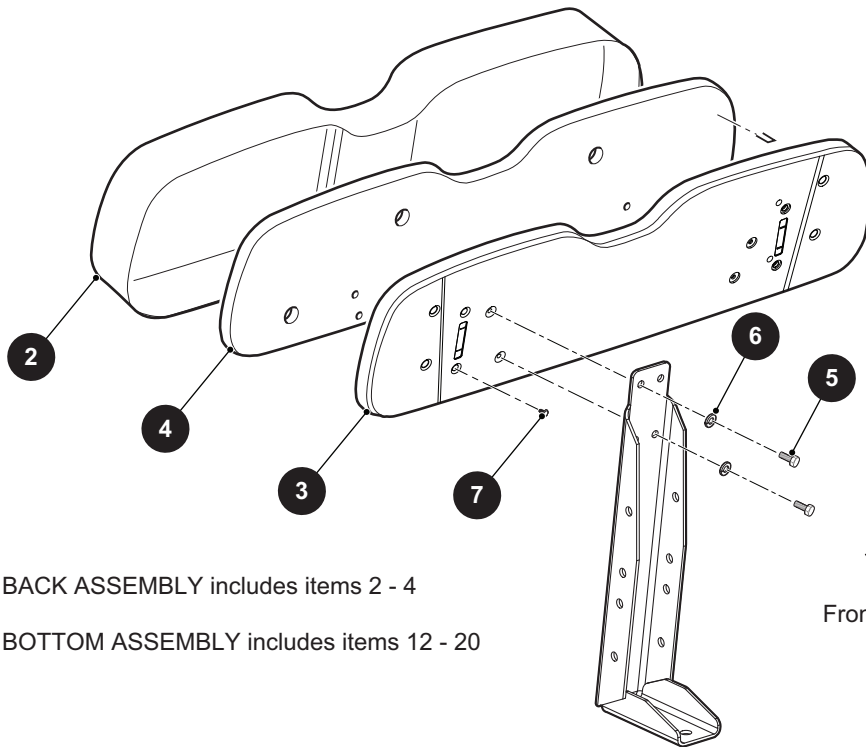
\*\*\* Indicates consult Customer Service Department for additional information.

ITEM	PART NO.	1 2 3 4 5	DESCRIPTION	QTY.
1	642085		SHOCK ABSORBER.....	1
2	10435G1		SHOCK ABSORBER WASHER, I.D. .406" X O.D. 1.25" .....	4
3	10194G1		RUBBER BUSHING.....	4
4	00532G6		HEX NUT, 3/8" - 24 .....	2
5	10044G01		VINYL CAP.....	1
6	74207G03		LEAF SPRING .....	2
7	72618G01		U BOLT, 3/8" - 16 X 2 1/2" LG.....	2
8	00560G1		FLAT WASHER, 3/8" .....	4
9	11098G5		LOCK NUT, 3/8" - 16.....	4
10				
11	70289G02		SPLIT STEEL SPACER, I.D. .376" X O.D. 1" X 1" LG .....	2
12	624030		FLANGED BUSHING.....	6
13	652245		SHACKLE PLATE .....	2
14	00665G9		HEX HEAD BOLT (SS), 3/8" - 16 X 3 1/2" LG .....	2
15	11098G5		LOCK NUT, 3/8" - 16.....	2
16				
17	14158G1		SHOULDER BOLT, 3/8" - 16 X 3 1/4" LG. ....	1
18	12262G1		LOCK NUT, M10 .....	1

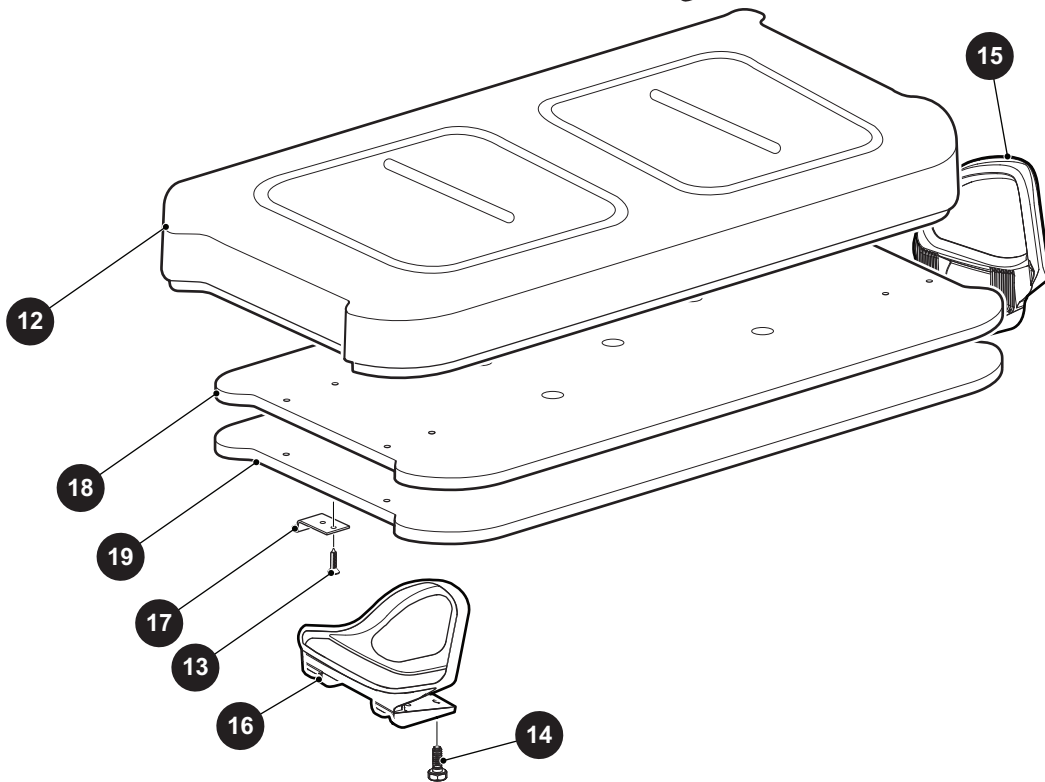




# SEATING



- 1** SEAT BACK ASSEMBLY includes items 2 - 4
- 11** SEAT BOTTOM ASSEMBLY includes items 12 - 20



THE USE OF NON U.L. PARTS WILL VOID ANY U.L. LISTING.

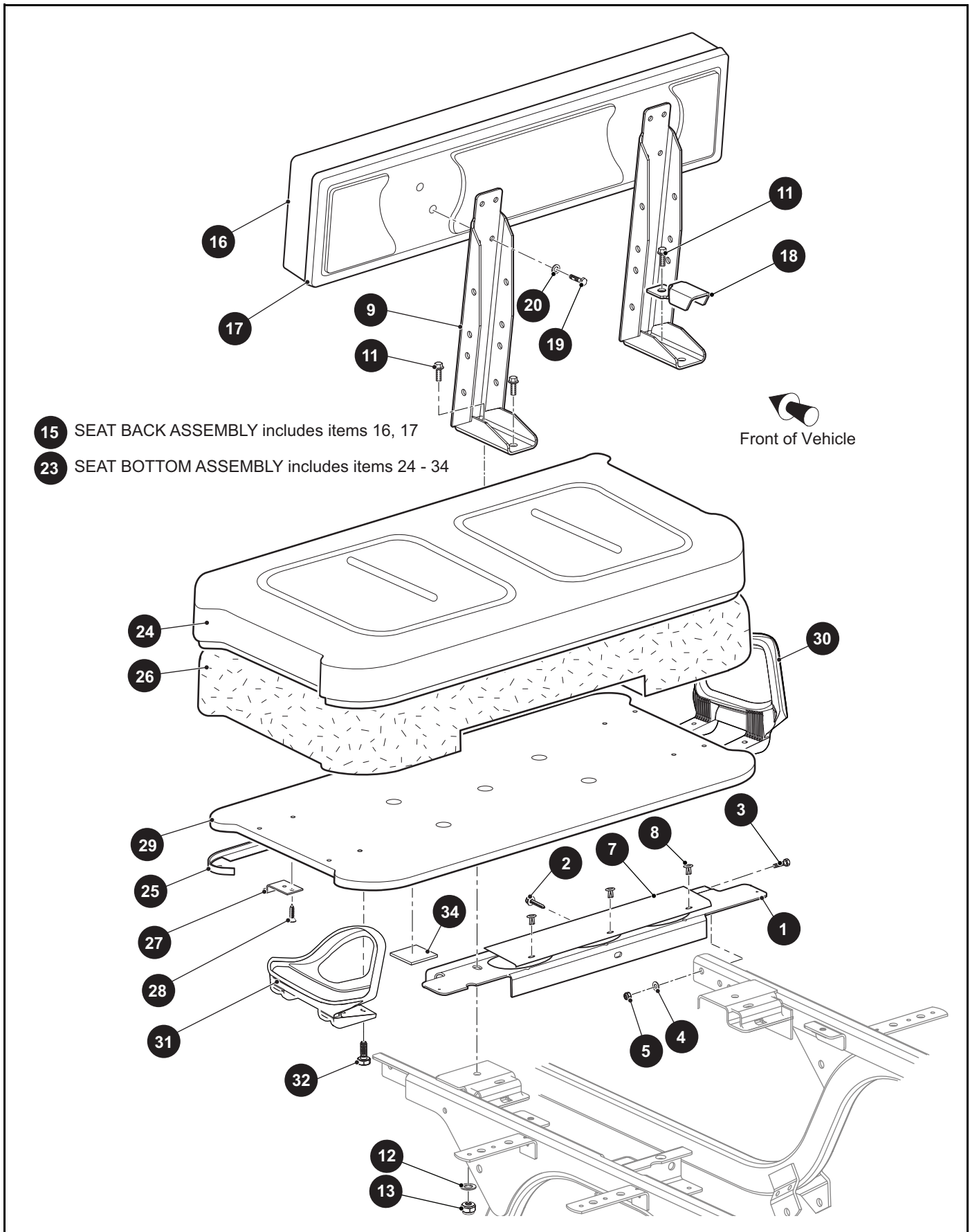
When ordering parts, please specify the model and serial number of the product.

\* Indicates a component that is not available as an individual part.

\*\*\* Indicates consult Customer Service Department for additional information.

ITEM	PART NO.	1 2 3 4 5	DESCRIPTION	QTY.
1	641897G00**		SEAT BACK ASSEMBLY (INCLUDES ITEMS 2 - 4)..... 641897G0001 OYSTER 641897G0002 STONE BEIGE 641897G0006 BLACK 641897G0004 GRAY	1
2	644820G01		VINYL SEAT BACK COVER..... 644820G01 OYSTER 644820G02 STONE BEIGE 644820G06 BLACK 644820G04 GRAY	1
3	605529		SEAT BACK COVER .....	1
4	644268		SEAT BACK HIP BASE .....	1
5	605056		HEX HEAD BOLT (SS), 1/4" - 20 X 1" LG .....	2
6	00664G7		LOCK WASHER, 1/4" .....	2
7	617533		PUSH RIVET.....	4
8				
9				
10				
11	629269G15**		SEAT BOTTOM ASSEMBLY (INCLUDES ITEMS 12 - 20)..... 629269G1501 OYSTER 629269G1502 STONE BEIGE 629269G1506 BLACK 629269G1504 GRAY	1
12	644819G0*		VINY SEAT BOTTOM COVER .....	1
			644819G01 OYSTER 644819G02 STONE BEIGE 644819G06 BLACK 644819G04 GRAY	
13	00720G08		FLAT HEAD PHILLIPS TAPPING SCREW, #12 - 14 X 1" LG .....	6
14	615417		BUTTON HEAD TORX BOLT, M10 - 1.5 X 25MM LG .....	8
15	617644		HIP RESTRAINT (PASSENGER SIDE) .....	1
16	617645		HIP RESTRAINT (DRIVER SIDE) .....	1
17	71610G01		SEAT HINGE .....	2
18	644351		SEAT BOTTOM WOOD ASSEMBLY .....	1
19	602551		SEAT BOTTOM COVER .....	1
20	16816G2		RATCHET RIVET, .25" X .887" (NOT ILLUSTRATED).....	4

# SEATING





THE USE OF NON U.L. PARTS WILL VOID ANY U.L. LISTING.

When ordering parts, please specify the model and serial number of the product.

\* Indicates a component that is not available as an individual part.

\*\*\* Indicates consult Customer Service Department for additional information.

ITEM	PART NO.	1 2 3 4 5	DESCRIPTION	QTY.
1	71262G04		SEAT BACK SUPPORT PLATE.....	1
2	00715G2		HEX BOLT, 5/16" - 18 X 13/16" LG.....	1
3	00438G8		HEX BOLT, 5/16" - 18 X 3/4" LG.....	2
4	00642G8		LOCK WASHER, 5/16".....	2
5	11098G6		LOCK NUT, 5/16" - 18.....	2
6				
7	71263G01		ACCESS COVER.....	1
8	18436G1		DRIVE RIVET.....	3
9	652243G03		SEAT BACK SUPPORT BRACKET.....	1
10				
11	00427G2		HEX BOLT, 3/8" - 16 X 1- 1/4" LG.....	2
12	00560G1		LOCK WASHER, 3/8".....	1
13	11098G5		LOCK NUT, 3/8" - 16.....	1
14				
15	71274G**		SEAT BACK ASSEMBLY (INCLUDES ITEMS 16, 17)..... 71274G01 WHITE 71274G02 BLACK 71274G03 TAN 71274G04 GRAY 71274G05 OYSTER 71274G07 BROWN	1
16	18144G**		VINYL SEAT BACK COVER..... 18144G2 WHITE 18144G3 BLACK 18144G4 TAN 18144G5 GRAY 18144G6 OYSTER 18144G8 BROWN	1
17	74889G01		PLASTIC SEAT BACK COVER (BLACK).....	1
18	652444G03		BED BUMPR BRACKET.....	2
19	605056		HEX HEAD BOLT, 1/4" - 20 X 1" LG.....	2
20	00664G7		LOCK WASHER, 1/4".....	2
21				
22				

# SEATING

THE USE OF NON U.L. PARTS WILL VOID ANY U.L. LISTING.

When ordering parts, please specify the model and serial number of the product.

\* Indicates a component that is not available as an individual part.

\*\*\* Indicates consult Customer Service Department for additional information.

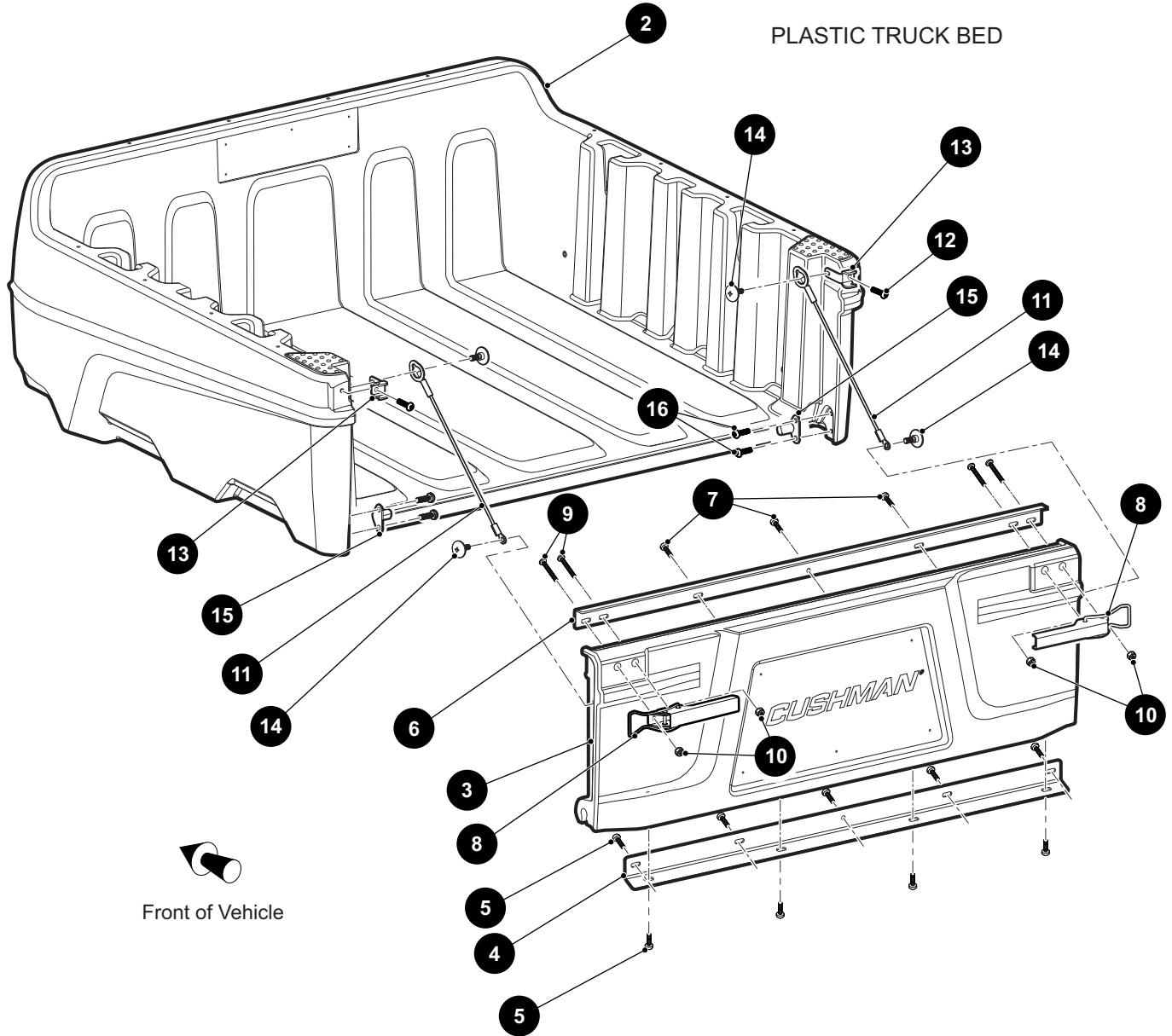
ITEM	PART NO.	1	2	3	4	5	DESCRIPTION	QTY.
23	629269G01**						SEAT BOTTOM ASSEMBLY (INCLUDES ITEMS 24 - 34).....	1
							629269G0101 OYSTER	
							629269G0103 TAN	
							629269G0104 GRAY	
							629269G0105 WHITE	
							629269G0106 BLACK	
							629269G0107 BROWN	
24	71602G**						VINYL SEAT BOTTOM COVER.....	1
							71602G01 WHITE	
							71602G02 GRAY	
							71602G03 OYSTER	
							71602G04 TAN	
							71602G06 BLACK	
							71602G07 BROWN	
25	71012G01						VINYL TRIM (SEAT BOTTOM) .....	1
26	71603G02						FOAM PADDING (SEAT BOTTOM).....	1
27	71610G01						SEAT HINGE.....	2
28	00720G08						FLAT HEAD PHILLIPS TAPPING SCREW, #12 - 14 X 1" LG.....	6
29	645492						SEAT BOTTOM.....	1
30	617644						HIP RESTRAINT (PASSENGER SIDE) .....	1
31	617645						HIP RESTRAINT (DRIVER SIDE) .....	1
32	615417						BUTTON HEAD TORX BOLT, M10 - 1.5 X 25MM LG .....	8
33								
34	17074G1						RUBBER PAD .....	2



# TRUCK BED

1 TRUCK BED ASSEMBLY, 36" includes items 2 - 16

PLASTIC TRUCK BED



THE USE OF NON U.L. PARTS WILL VOID ANY U.L. LISTING.

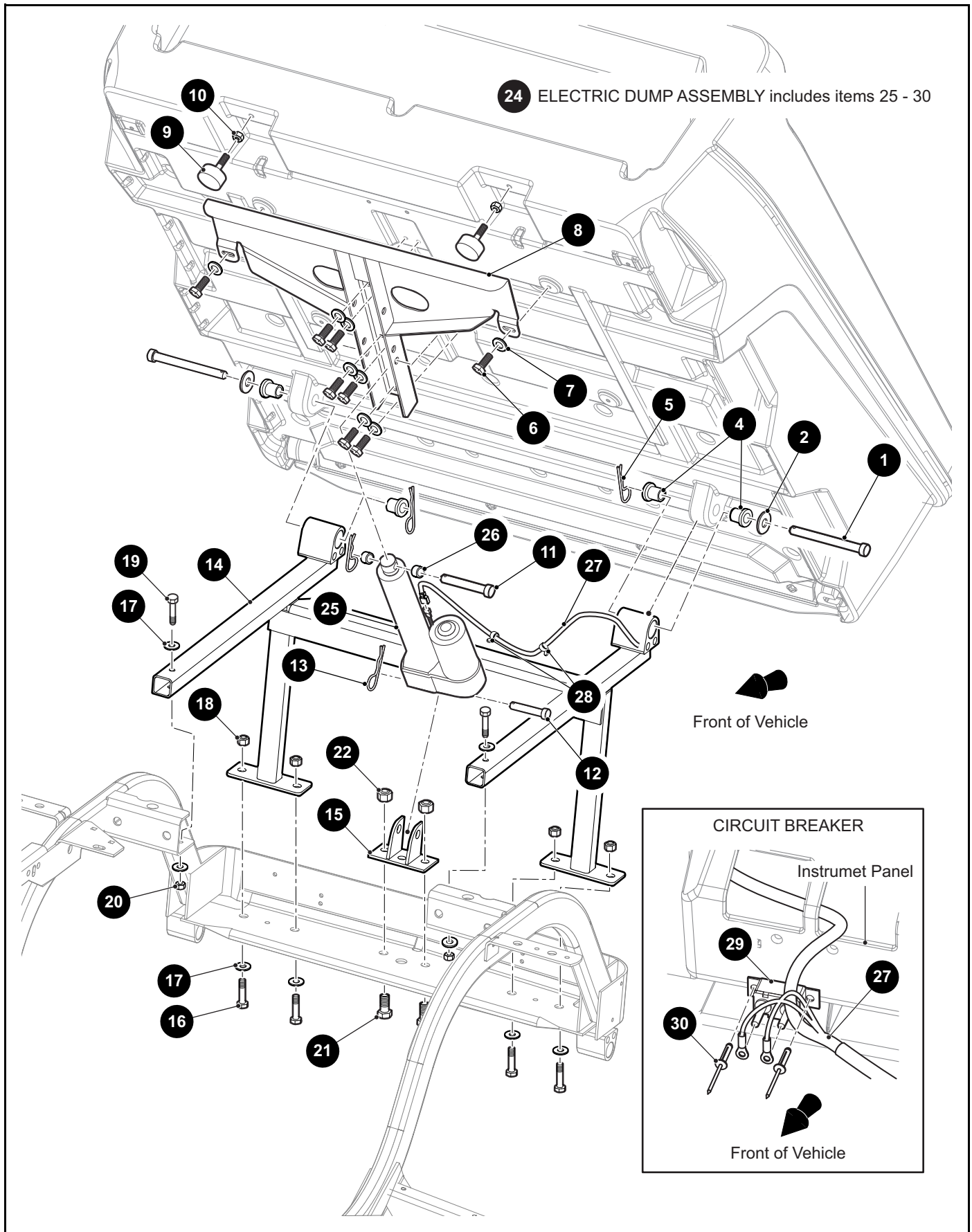
When ordering parts, please specify the model and serial number of the product.

\* Indicates a component that is not available as an individual part.

\*\*\* Indicates consult Customer Service Department for additional information.

ITEM	PART NO.	1 2 3 4 5	DESCRIPTION	QTY.
1	662625		TRUCK BED ASSEMBLY, 36" (PLASTIC) (INCLUDES ITEMS 2 - 16) .....	1
2	663898		BED, 36" .....	1
3	649872		TAILGATE, 40" .....	1
4	651108		LOWER STIFFENER .....	1
5	663506		PAN HEAD PHILLIPS SCREW, 1/4" - 20 X 5/8" LG.....	9
6	651107		UPPER STIFFENER .....	1
7	663506		PAN HEAD PHILLIPS SCREW, 1/4" - 20 X 5/8" LG.....	3
8	663143		TAILGATE LATCH .....	2
9	663718		PAN HEAD PHILLIPS SCREW, 1/4" - 20 X 3" LG.....	4
10	663527		LOCK NUT, 1/4" - 20 .....	4
11	651635		TAILGATE CABLE ASSEMBLY .....	2
12	663506		PAN HEAD PHILLIPS SCREW, 1/4" - 20 X 5/8" LG.....	2
13	651110		TAILGATE BRACKET .....	2
14	73460G01		SHOULDER BOLT, .875" DIA X 3/4" LG .....	4
15	651109		PIVOT PIN.....	2
16	663506		PAN HEAD PHILLIPS SCREW, 1/4" - 20 X 5/8" LG.....	4

# TRUCK BED



THE USE OF NON U.L. PARTS WILL VOID ANY U.L. LISTING.

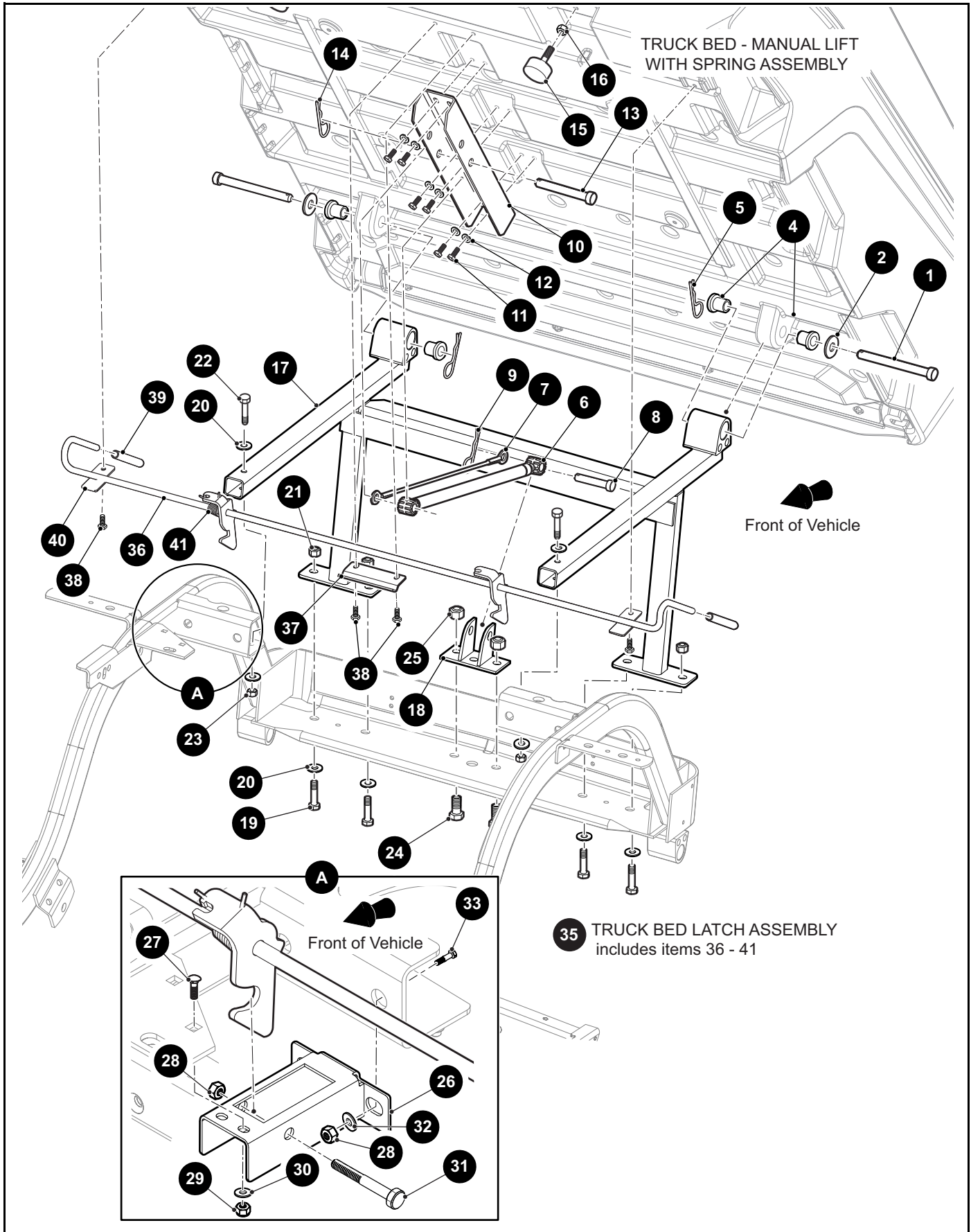
When ordering parts, please specify the model and serial number of the product.

\* Indicates a component that is not available as an individual part.

\*\*\* Indicates consult Customer Service Department for additional information.

ITEM	PART NO.	1 2 3 4 5	DESCRIPTION	QTY.
1	71571G01		CLEVIS PIN, .5" DIA X 5.25" LG.....	2
2	00571G5		FLAT WASHER, 1/2".....	2
3				
4	624030		FLANGED BUSHING, .93" LG.....	4
5	21683G1		COTTER PIN, .320" X 2.969".....	2
6	01118G01		HEX HEAD BOLT WITH PATCH LOCK, 1/4" - 20 X .62" LG.....	8
7	00642G7		FLAT WASHER, 1/4".....	8
8	71547G02		CHANNEL OUTRIGGER.....	1
9	701113G01		ADJUSTABLE RUBBER BUMPER.....	2
10	11027G1		LOCK NUT, 5/16" - 18.....	2
11	14443G10		CLEVIS PIN, .5" X 3" LG.....	1
12	14443G12		CLEVIS PIN, .5" X 2.22" LG.....	1
13	21683G1		COTTER PIN, .320" X 2.969".....	2
14	76423G01		TRUCK BED FRAME.....	1
15	71283G02		ELECTRIC LIFT BRACKET.....	1
16	00439G2		HEX HEAD BOLT, 5/16" - 18 X 1 1/4" LG.....	4
17	00642G8		FLAT WASHER, 5/16".....	8
18	11098G6		LOCK NUT, 5/16"- 18.....	4
19	00415G6		HEX HEAD BOLT, 1/4" - 20 X 1 3/4" LG.....	2
20	14390G4		LOCK NUT, 1/4" - 20.....	2
21	00462G7		HEX HEAD BOLT, 7/16" - 14 X .875" LG.....	2
22	00734G1		LOCK NUT, 7/16" - 14.....	2
23				
24	665934G01		ELECTRIC DUMP ASSEMBLY (INCLUDES ITEMS 25 - 30).....	1
25	27612G04		ELECTRIC ACTUATOR.....	1
26	27613G01		SPACER, .75" O.D. X .5" I.D. ....	2
27	664069		ELECTRIC DUMP HARNESS.....	1
28	17618G1		NYLON CLAMP, 8" LG.....	7
29	21320G3		CIRCUIT BREAKER, 30A, 12V.....	1
30	01041G01		ALUMINUM RIVET, 5/23" DIA.....	2

# TRUCK BED





THE USE OF NON U.L. PARTS WILL VOID ANY U.L. LISTING.

When ordering parts, please specify the model and serial number of the product.

\* Indicates a component that is not available as an individual part.

\*\*\* Indicates consult Customer Service Department for additional information.

ITEM	PART NO.	1 2 3 4 5	DESCRIPTION	QTY.
1	71571G01		CLEVIS PIN, .5" DIA X 5.25" LG.....	2
2	00571G5		FLAT WASHER, 1/2".....	2
3				
4	624030		FLANGED BUSHING, .93" LG.....	4
5	21683G1		COTTER PIN, .320" X 2.969".....	2
6	71537G02		GAS SPRING.....	1
7	602904		BED TETHER CABLE ASSEMBLY.....	1
8	14443G12		CLEVIS PIN, .5" DIA X 2.22" LG.....	1
9	21683G1		COTTER PIN, .320" X 2.969".....	1
10	71569G02		GAS SPRING CHANNEL.....	1
11	01118G01		HEX HEAD BOLT WITH PATCH LOCK, 1/4" - 20 X .62" LG.....	6
12	00642G7		FLAT WASHER, 1/4".....	6
13	14443G10		CLEVIS PIN, .5" DIA X 3" LG.....	1
14	21683G1		COTTER PIN, .320" X 2.969".....	1
15	70113G01		ADJUSTABLE RUBBER BUMPER.....	2
16	11027G1		LOCK NUT, 5/16" - 18.....	2
17	76423G01		TRUCK BED FRAME.....	1
18	71283G02		ELECTRIC LIFT BRACKET.....	1
19	00439G2		HEX HEAD BOLT, 5/16" - 18 X 1 1/4" LG.....	4
20	00642G8		FLAT WASHER, 5/16".....	8
21	11098G6		LOCK NUT, 5/16"- 18.....	4
22	00415G6		HEX HEAD BOLT, 1/4" - 20 X 1 3/4" LG.....	2
23	14390G4		LOCK NUT, 1/4" - 20.....	2
24	00462G7		HEX HEAD BOLT, 7/16" - 14 X .875" LG.....	2
25	00734G1		LOCK NUT, 7/16" - 14.....	2
26	663002		BED LATCH BRACKET.....	2
27	01014G03		CARRIAGE BOLT, 1/4" - 20 X .75" LG.....	2
28	11098G5		LOCK NUT, 3/8" - 16.....	6
29	14390G4		LOCK NUT, 1/4" - 20.....	2
30	00559G7		FLAT WASHER, 1/4".....	2
31	00428G8		HEX HEAD BOLT, 3/8" - 16 X 2 1/4" LG.....	2

## TRUCK BED

THE USE OF NON U.L. PARTS WILL VOID ANY U.L. LISTING.

When ordering parts, please specify the model and serial number of the product.

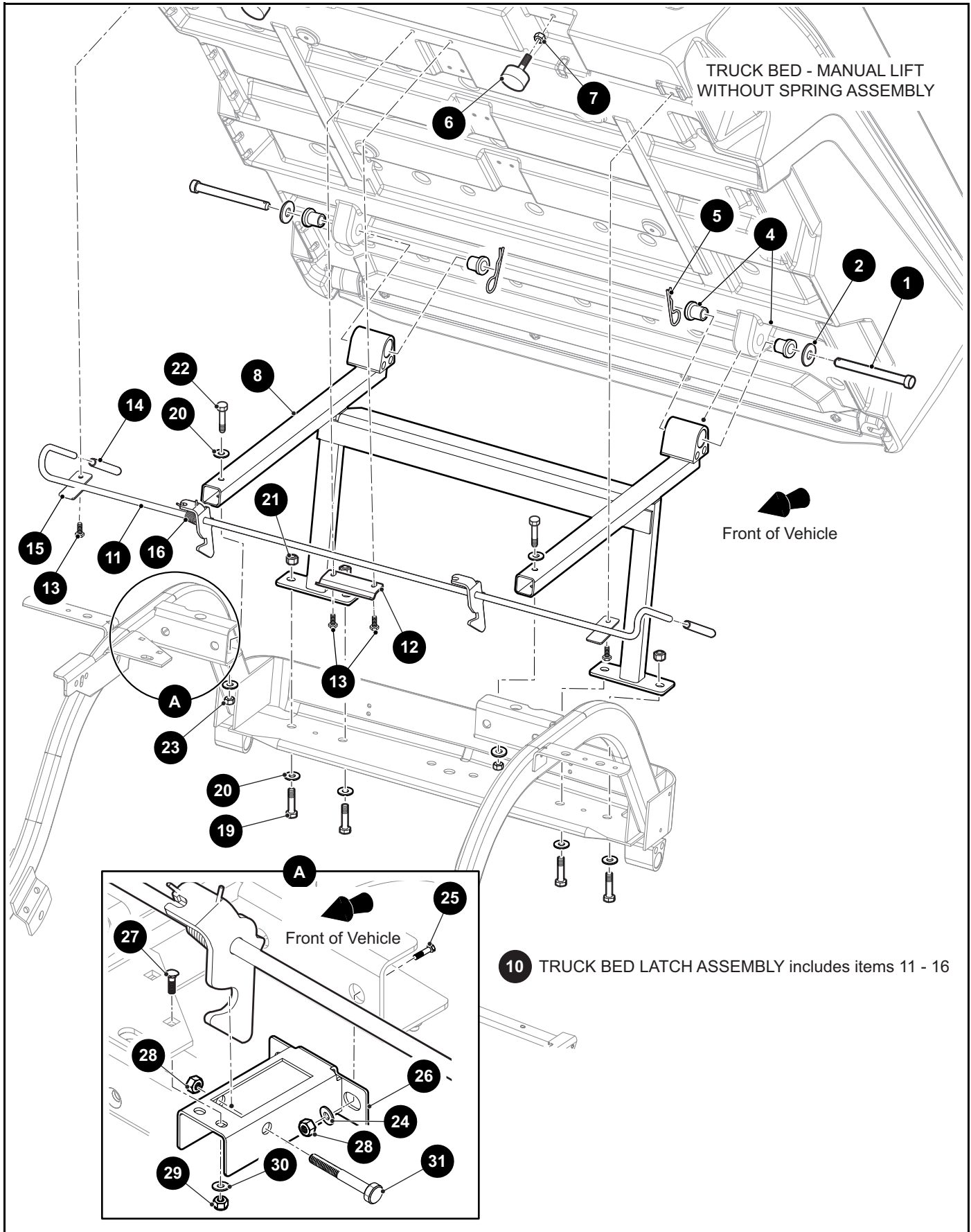
\* Indicates a component that is not available as an individual part.

\*\*\* Indicates consult Customer Service Department for additional information.

ITEM	PART NO.	1	2	3	4	5	DESCRIPTION	QTY.
32	00560G1						FLAT WASHER, 3/8" .....	4
33	00426G8						HEX HEAD BOLT, 3/8" - 16 X 3/4" LG.....	4
34								
35	665990						TRUCK BED LATCH ASSEMBLY (INCLUDES ITEMS 36 - 41).....	1
36	666224						LATCH.....	1
37	652440G03						LATCH RETAINER BRACKET.....	1
38	01118G01						HEX HEAD BOLT WITH PATCH LOCK, 1/4" - 20 X .62" LG .....	4
39	71704G01						HANDLE GRIP.....	2
40	657267						RETAINER BRACKET .....	2
41	71538G01						TORSION SPRING .....	1



# TRUCK BED



THE USE OF NON U.L. PARTS WILL VOID ANY U.L. LISTING.

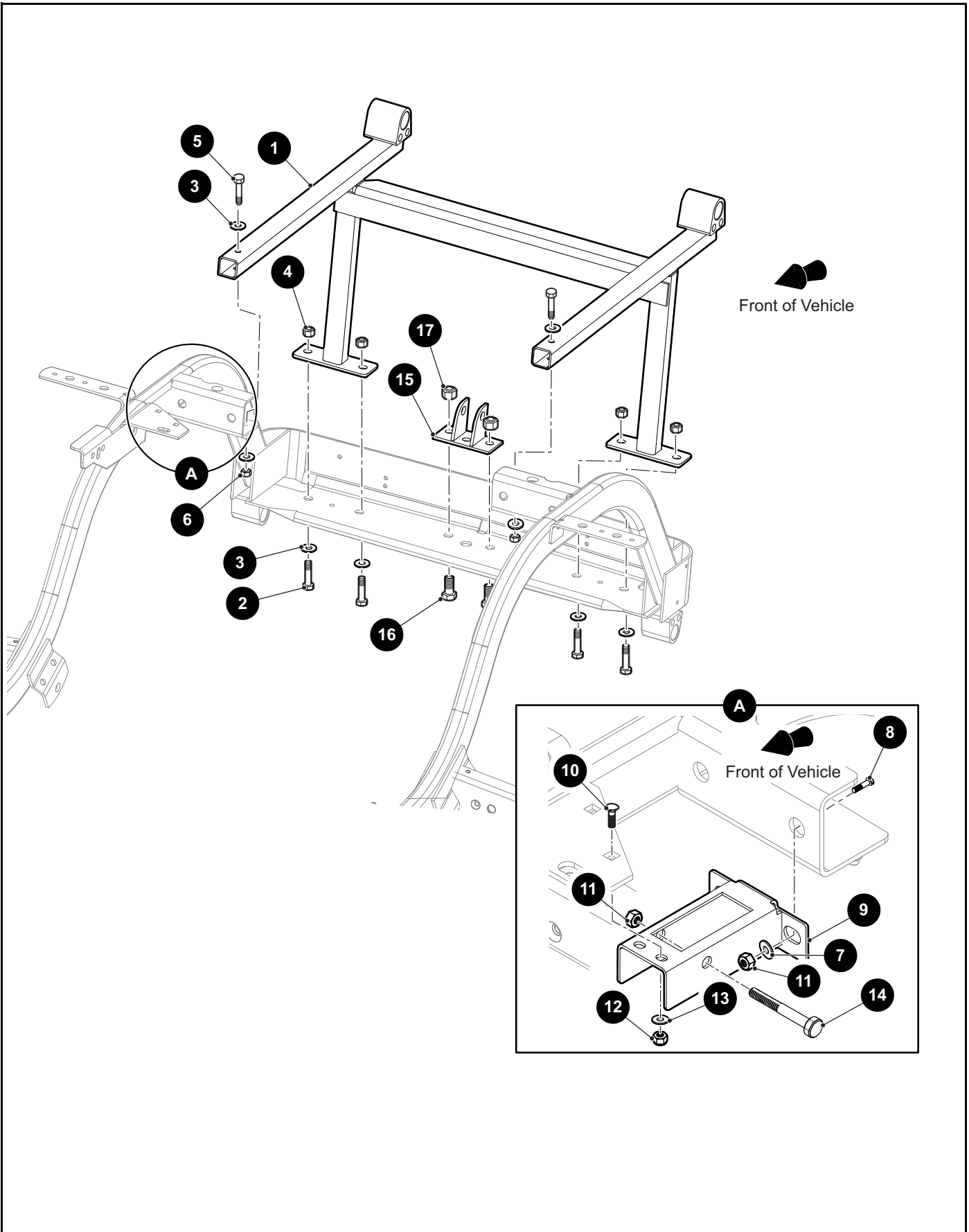
When ordering parts, please specify the model and serial number of the product.

\* Indicates a component that is not available as an individual part.

\*\*\* Indicates consult Customer Service Department for additional information.

ITEM	PART NO.	1 2 3 4 5	DESCRIPTION	QTY.
1	71571G01		CLEVIS PIN, .5" DIA X 5.25" LG.....	2
2	00571G5		FLAT WASHER, 1/2".....	2
3				
4	624030		FLANGED BUSHING, .93" LG.....	4
5	21683G1		COTTER PIN, .320" X 2.969".....	2
6	70113G01		ADJUSTABLE RUBBER BUMPER.....	2
7	11027G1		LOCK NUT, 5/16" - 18.....	2
8	76423G01		TRUCK BED FRAME.....	1
9				
10	665990		TRUCK BED LATCH ASSEMBLY (INCLUDES ITEMS 11 - 16).....	1
11	666224		LATCH.....	1
12	652440G03		LATCH RETAINER BRACKET.....	1
13	01118G01		HEX HEAD BOLT WITH PATCH LOCK, 1/4" - 20 X .62" LG.....	4
14	71704G01		HANDLE GRIP.....	2
15	657267		RETAINER BRACKET.....	2
16	71538G01		TORSION SPRING.....	1
17				
18				
19	00439G2		HEX HEAD BOLT, 5/16" - 18 X 1 1/4" LG.....	4
20	00642G8		FLAT WASHER, 5/16".....	8
21	11098G6		LOCK NUT, 5/16"- 18.....	4
22	00415G6		HEX HEAD BOLT, 1/4" - 20 X 1 3/4" LG.....	2
23	14390G4		LOCK NUT, 1/4" - 20.....	2
24	00560G1		FLAT WASHER, 3/8".....	4
25	00426G8		HEX HEAD BOLT, 3/8" - 16 X 3/4" LG.....	4
26	663002		BED LATCH BRACKET.....	2
27	01014G03		CARRIAGE BOLT, 1/4" - 20 X .75" LG.....	2
28	11098G5		LOCK NUT, 3/8" - 16.....	6
29	14390G4		LOCK NUT, 1/4" - 20.....	2
30	00559G7		FLAT WASHER, 1/4".....	2
31	00428G8		HEX HEAD BOLT, 3/8" - 16 X 2 1/4" LG.....	2

# TRUCK BED



THE USE OF NON U.L. PARTS WILL VOID ANY U.L. LISTING.

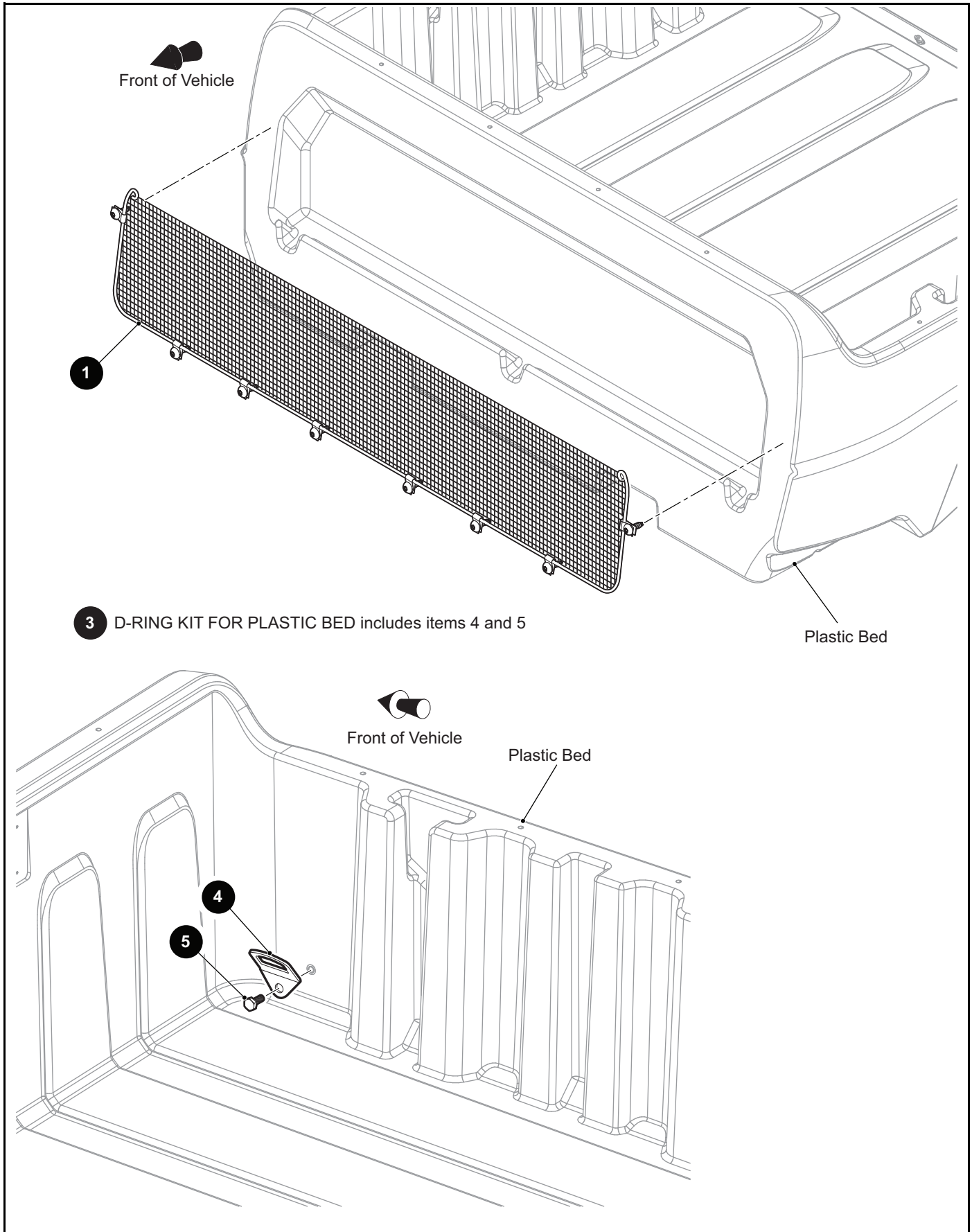
When ordering parts, please specify the model and serial number of the product.

\* Indicates a component that is not available as an individual part.

\*\*\* Indicates consult Customer Service Department for additional information.

ITEM	PART NO.	1 2 3 4 5	DESCRIPTION	QTY.
1	76423G01		TRUCK BED FRAME.....	1
2	00439G2		HEX HEAD BOLT, 5/16" - 18 X 1 1/4" LG .....	4
3	00642G8		FLAT WASHER, 5/16" .....	8
4	11098G6		LOCK NUT, 5/16"- 18.....	4
5	00415G6		HEX HEAD BOLT, 1/4" - 20 X 1 3/4" LG .....	2
6	14390G4		LOCK NUT, 1/4" - 20.....	2
7	00560G1		FLAT WASHER, 3/8" .....	4
8	00426G8		HEX HEAD BOLT, 3/8" - 16 X 3/4" LG .....	4
9	663002		BED LATCH BRACKET .....	2
10	01014G03		CARRIAGE BOLT, 1/4" - 20 X .75" LG.....	2
11	11098G5		LOCK NUT, 3/8" - 16.....	6
12	14390G4		LOCK NUT, 1/4" - 20.....	2
13	00559G7		FLAT WASHER, 1/4" .....	2
14	00428G8		HEX HEAD BOLT, 3/8" - 16 X 2 1/4" LG .....	2
15	71283G02		ELECTRIC LIFT BRACKET .....	1
16	00462G7		HEX HEAD BOLT, 7/16" - 14 X .875" LG .....	2
17	00734G1		LOCK NUT, 7/16" - 14.....	2

# TRUCK BED





THE USE OF NON U.L. PARTS WILL VOID ANY U.L. LISTING.

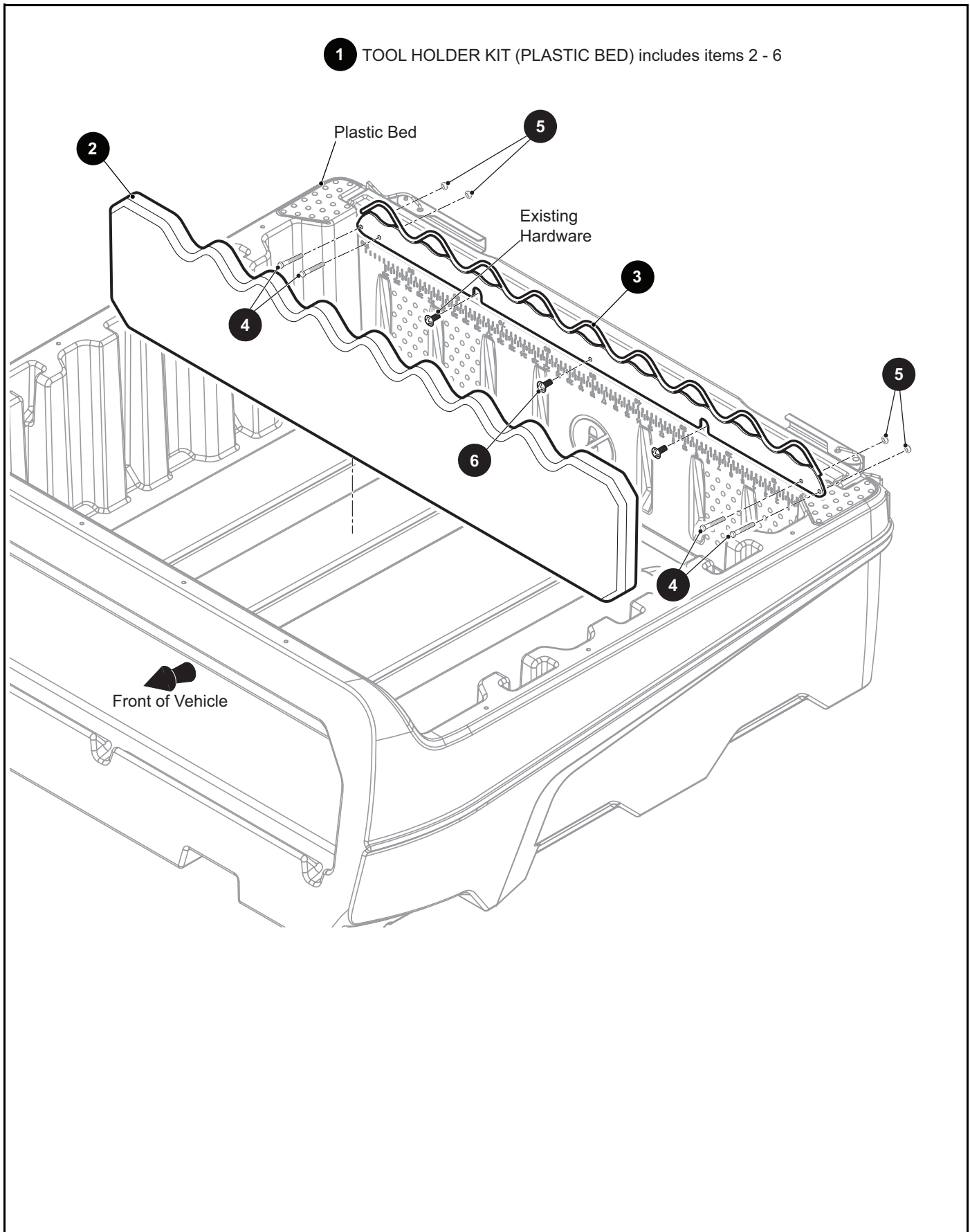
When ordering parts, please specify the model and serial number of the product.

\* Indicates a component that is not available as an individual part.

\*\*\* Indicates consult Customer Service Department for additional information.

ITEM	PART NO.	1 2 3 4 5	DESCRIPTION	QTY.
1	652838		MESH NET KIT (INCLUDES MOUNTING HARDWARE) .....	1
2				
3	652349		D-RING KIT (INCLUDES 4 AND 5) .....	1
4	650566		D-RING (PLASTIC BED) .....	4
5	73296G01		HEX HEAD BOLT, M8 - 1.5 X 16MM LG .....	4

# TRUCK BED



THE USE OF NON U.L. PARTS WILL VOID ANY U.L. LISTING.

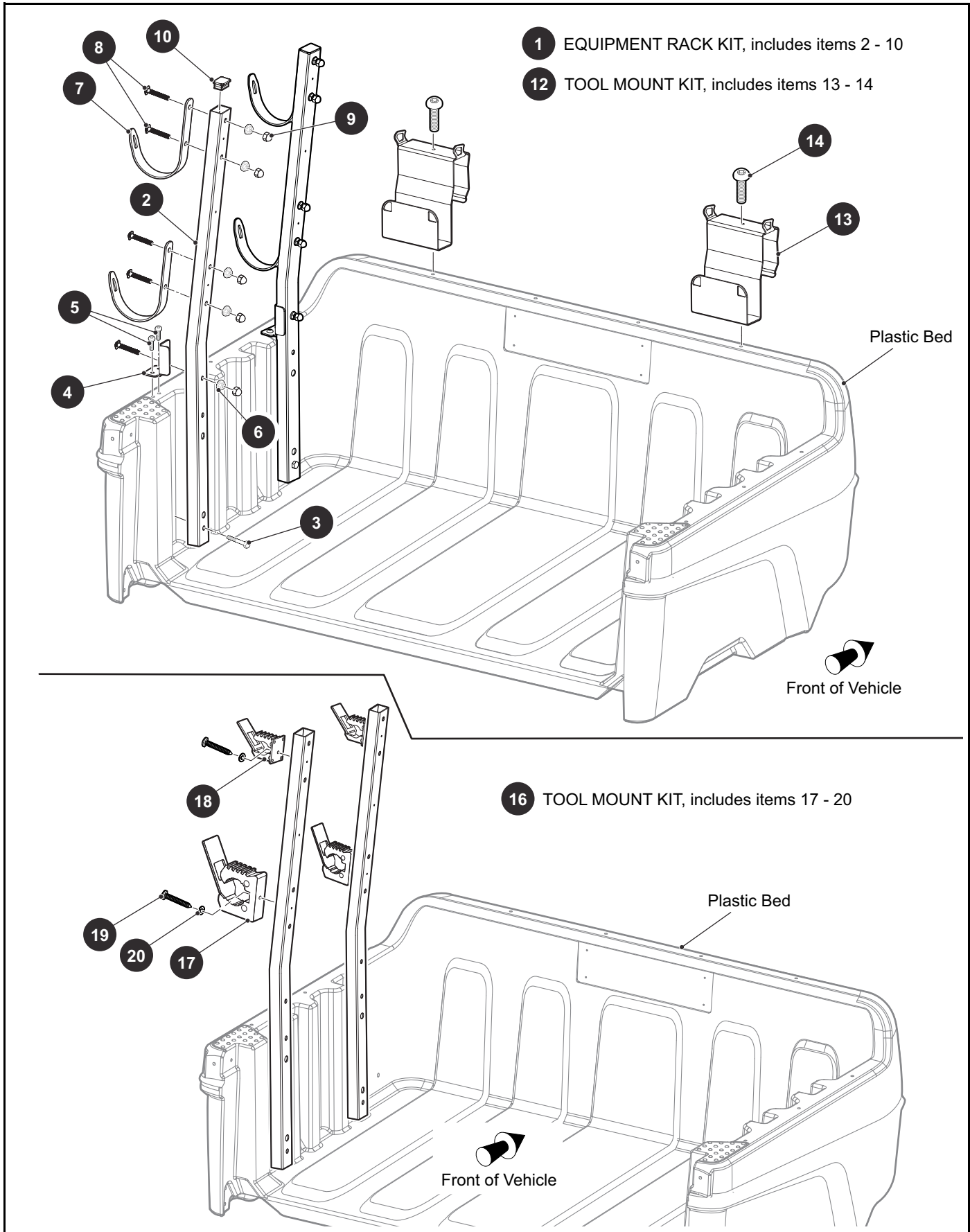
When ordering parts, please specify the model and serial number of the product.

\* Indicates a component that is not available as an individual part.

\*\*\* Indicates consult Customer Service Department for additional information.

ITEM	PART NO.	1 2 3 4 5	DESCRIPTION	QTY.
1	652510		TOOL HOLDER KIT (INCLUDES ITEMS 2 - 6) .....	1
2	652657		BED DIVIDER.....	1
3	651732		LONG HANDLER TOOL HOLDER.....	1
4	630419		HEX HEAD BOLT, 1/4" - 20 X 3" LG.....	4
5	14390G4		LOCK NUT, 1/4" - 20 .....	4
6	16705G2		PAN HEAD PHILLIPS SCREW (SS), 1/4" - 20 X 5/8" LG .....	1

# TRUCK BED



THE USE OF NON U.L. PARTS WILL VOID ANY U.L. LISTING.

When ordering parts, please specify the model and serial number of the product.

\* Indicates a component that is not available as an individual part.

\*\*\* Indicates consult Customer Service Department for additional information.

ITEM	PART NO.	1 2 3 4 5	DESCRIPTION	QTY.
1	664375		EQUIPMENT RACK KIT (INCLUDES ITEMS 2 - 10) .....	1
2	664139		EQUIPMENT RACK BAR .....	2
3	616693		HEX HEAD BOLT, M8 - 1.25 X 45MM LG .....	2
4	664140		CLAMP .....	2
5	649803		PAN HEAD TORX SCREW, M6 - 2.65 X 25MM LG .....	4
6	11027G1		LOCK NUT, 5/16" - 18 .....	10
7	651379		HOOK .....	4
8	665181		ROUND HEAD TORX SCREW, 5/16" - 18 X 1.75" LG .....	10
9	00520G3		CAP NUT .....	10
10	652697		END CAP, 1" X 1 1/2" .....	2
11				
12	664374		TOOL MOUNT KIT (INCLUDES ITEMS 13 - 14) .....	1
13	663992		UPPER MOISTURE METER MOUNTING .....	2
14	649804		BUTTON HEAD TORX SCREW, M8 - 3.5 X 30MM LG .....	2
15				
16	652615		QUICK FIST KIT (INCLUDES ITEMS 17 - 20).....	1
17	652590		QUICK FIST CLAMP (ORIGINAL).....	2
18	646404		QUICK FIST CLAMP (MINI) .....	2
19	648271		PAN HEAD TORX SCREW, #8 - 15 X 1" LG.....	4
20	00559G4		FLAT WASHER, #8 .....	4





# WEATHER PROTECTION

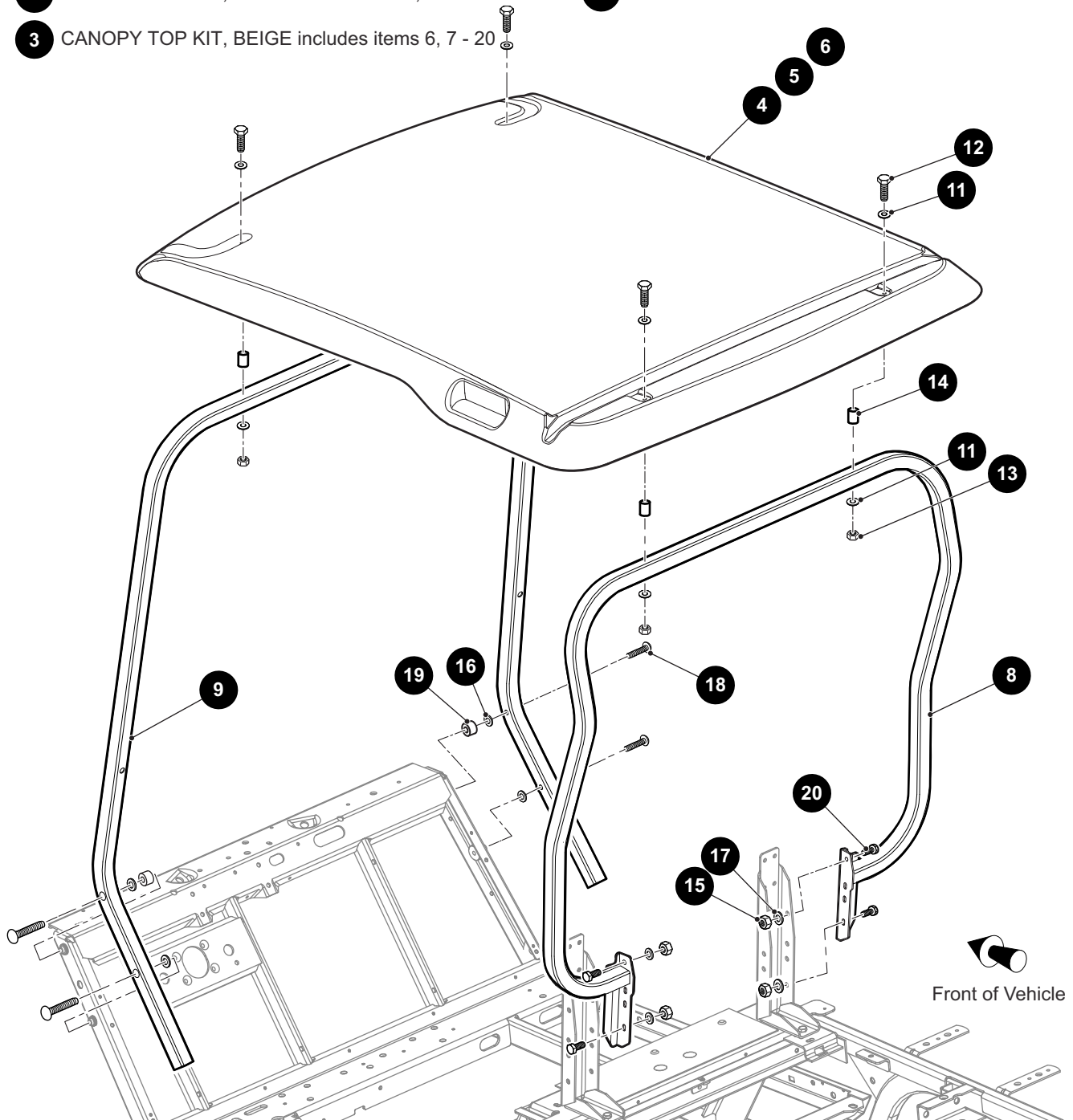
**1** CANOPY TOP KIT, BLACK includes items 4, 7 - 20

**2** CANOPY TOP KIT, TAN includes items 5, 7 - 20

**3** CANOPY TOP KIT, BEIGE includes items 6, 7 - 20

**7** CANOPY STRUT SET includes items 8 - 10

**10** HARDWARE KIT includes items 11 - 20





## WEATHER PROTECTION

THE USE OF NON U.L. PARTS WILL VOID ANY U.L. LISTING.

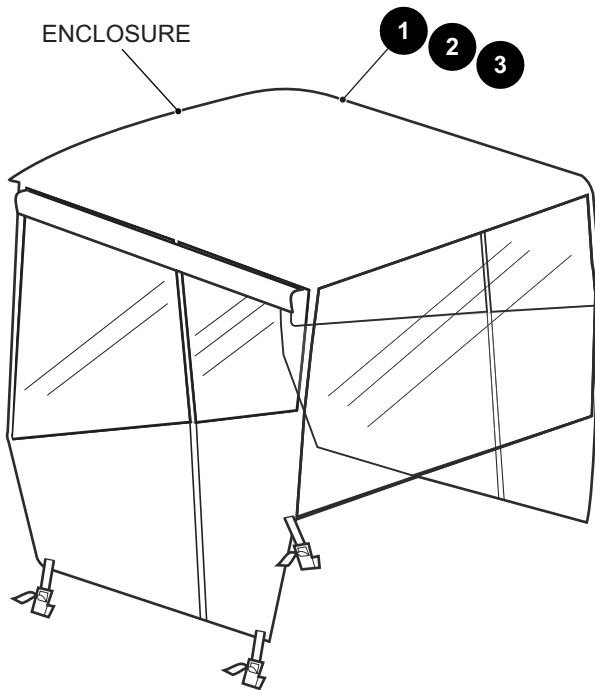
When ordering parts, please specify the model and serial number of the product.

\* Indicates a component that is not available as an individual part.

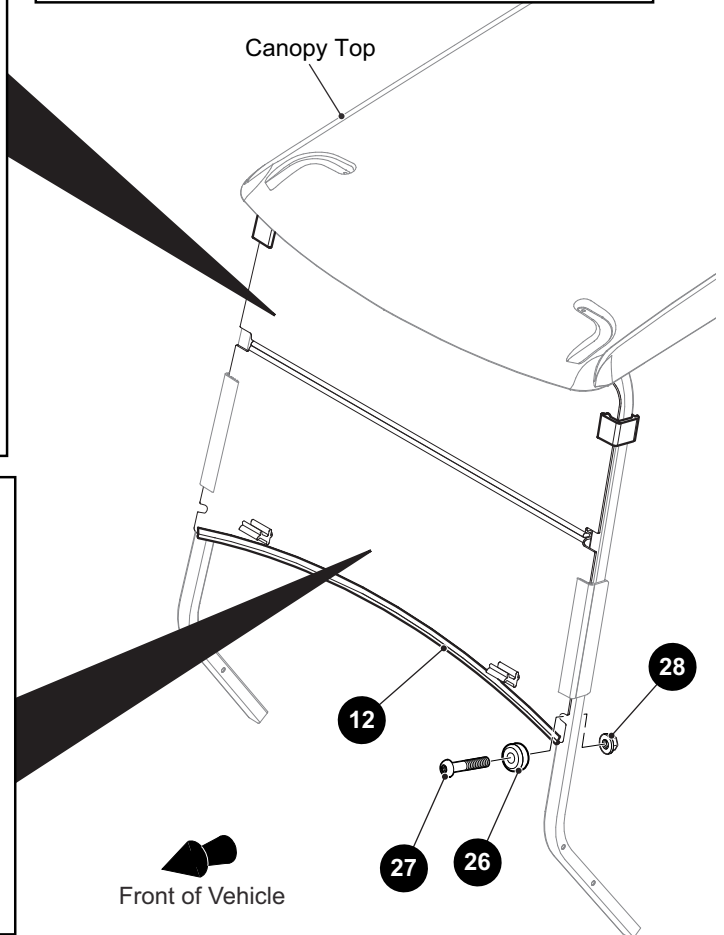
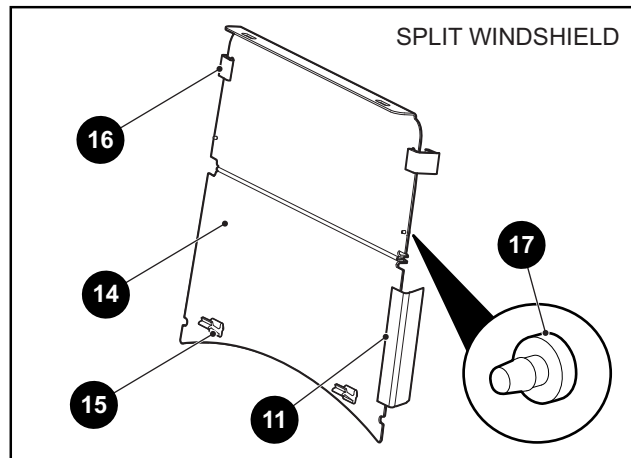
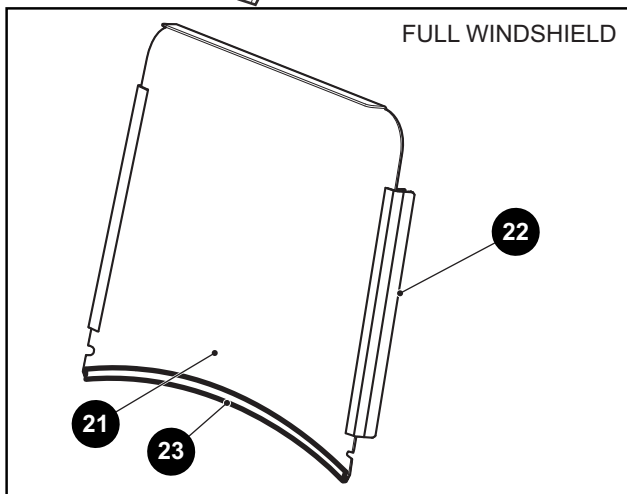
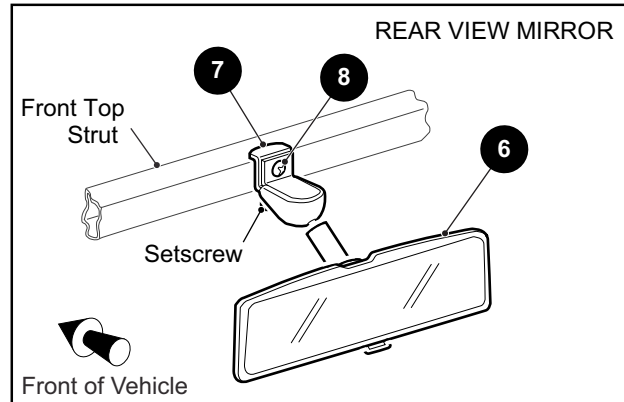
\*\*\* Indicates consult Customer Service Department for additional information.

ITEM	PART NO.	1 2 3 4 5	DESCRIPTION	QTY.
1	651917G01		CANOPY TOP KIT (BLACK) (INCLUDES ITEMS 4, 7 - 20) .....	1
2	651917G02		CANPOPY TOP KIT (TAN) (INCLUDES ITEMS 5, 7 - 20).....	1
3	651917G03		CANOPY TOP KIT (BEIGE) (INCLUDES ITEMS 6, 7 - 20) .....	1
4	625292		CANOPY TOP (BLACK) .....	1
5	625290		CANOPY TOP (TAN) .....	1
6	625291		CANOPY TOP (BEIGE) .....	1
7	654452		STRUT SET (INCLUDES ITEMS 8 - 10) .....	1
8	658690		REAR STRUT .....	1
9	648270		FRONT STRUT .....	1
10	652328		HARDWARE KIT (INCLUDES ITEMS 11 - 20) .....	1
11	652324		FLAT WASHER, O.D .692" X I.D .349".....	8
12	652326		HEX HEAD BOLT, 1/4" - 20 X 2.75" LG.....	4
13	652319		LOCK NUT, 1/4 - 20.....	4
14	625301		SPACER, .74" LG .....	4
15	652317		LOCK NUT, 5/16" - 18 X .34" LG .....	4
16	634808		FLAT WASHER, 5/16" .....	4
17	634810		FLAT WASHER, 5/16" .....	4
18	652311		ROUND HEAD TORX SCREW (BLACK), 5/16" - 18 X 3" LG .....	4
19	634807		SPACER, .5" LG .....	2
20	652313		HEX HEAD BOLT, 5/16" - 18 X 1" LG.....	4

# WEATHER PROTECTION



- 5** REAR VIEW MIRROR KIT includes items 6 - 8
- 10** SPLIT WINDSHIELD UTILITY KIT includes items 11 - 17, 25
- 13** SPLIT WINDSHIELD ASSEMBLY includes items 14 - 17
- 20** FULL WINDSHIELD UTILITY KIT includes items 21 - 25
- 25** WINDSHIELD HARDWARE KIT includes items 26 - 28



# WEATHER PROTECTION

THE USE OF NON U.L. PARTS WILL VOID ANY U.L. LISTING.

When ordering parts, please specify the model and serial number of the product.

\* Indicates a component that is not available as an individual part.

\*\*\* Indicates consult Customer Service Department for additional information.

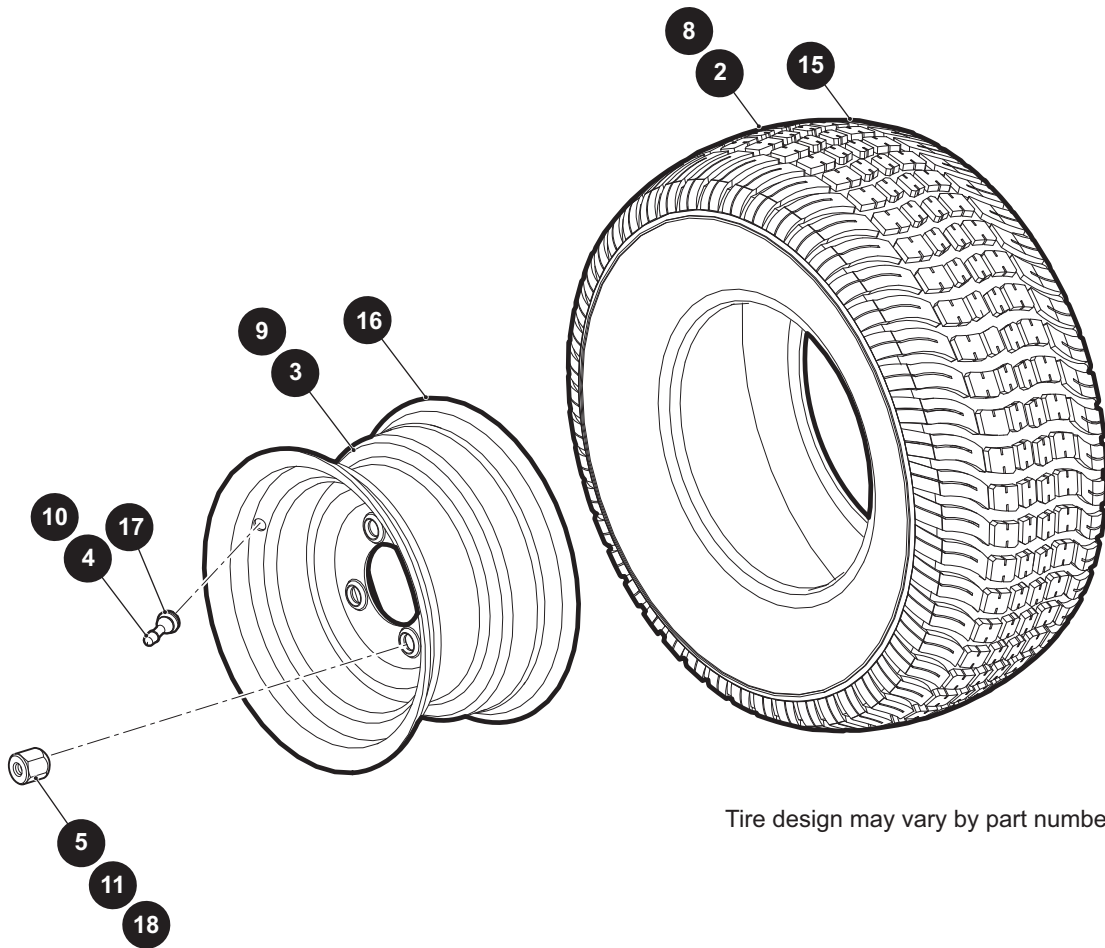
ITEM	PART NO.	1 2 3 4 5	DESCRIPTION	QTY.
1	652344G01		TOP ENCLOSURE (WHITE), 54" .....	1
2	652344G02		TOP ENCLOSURE (BLACK), 54" .....	1
3	652344G03		TOP ENCLOSURE (TAN), 54" .....	1
4				
5	19528G2		REAR VIEW MIRROR KIT (INCLUDES ITEMS 6 - 8) .....	1
6	19496G1		REAR VIEW MIRROR .....	1
7	19502G2		SUPPORT BRACKET .....	1
8	19527G1		PAN HEAD SCREW (SS), #8 - 32 X 5/8" LG .....	1
9				
10	649825		SPLIT WINDSHIELD KIT (INCLUDES ITEMS 11 - 17, 25).....	1
11	613136		SASH .....	2
12	649836		SEAL.....	1
13	649849		SPLIT WINDSHIELD ASSEMBLY (INCLUDES ITEMS 14 - 17) .....	1
14	649824		WINDSHIELD.....	1
15	603201		LOWER LATCH .....	2
16	603198		UPPER LATCH .....	2
17	604115		GROMMET .....	2
18				
19				
20	649883		FULL WINDSHIELD KIT (INCLUDES ITEMS 21 - 25).....	1
21	649882		FLAT WINDSHIELD .....	1
22	649885		SASH.....	1
23	649836		SEAL.....	1
24				
25	607014		WINDSHIELD HARDWARE KIT (INCLUDES ITEMS 26 - 28).....	1
26	604116		GROMMET .....	2
27	600527		BUTTON HEAD TORX BOLT, M10 - 1.5 X 60MM LG .....	2
28	600525		FLANGED LOCK NUT, M10 - 1.5 .....	2
29				
30	601379		REAR VIEW MIRROR KIT (NOT ILLUSTRATED).....	1





# WHEELS AND TIRES

- 1 WHEEL AND TIRE ASSEMBLY includes items 2 - 4
- 7 WHEEL AND TIRE ASSEMBLY includes items 8 - 10
- 14 WHEEL AND TIRE ASSEMBLY includes items 15 - 17



Tire design may vary by part number

## WHEELS AND TIRES

THE USE OF NON U.L. PARTS WILL VOID ANY U.L. LISTING.

When ordering parts, please specify the model and serial number of the product.

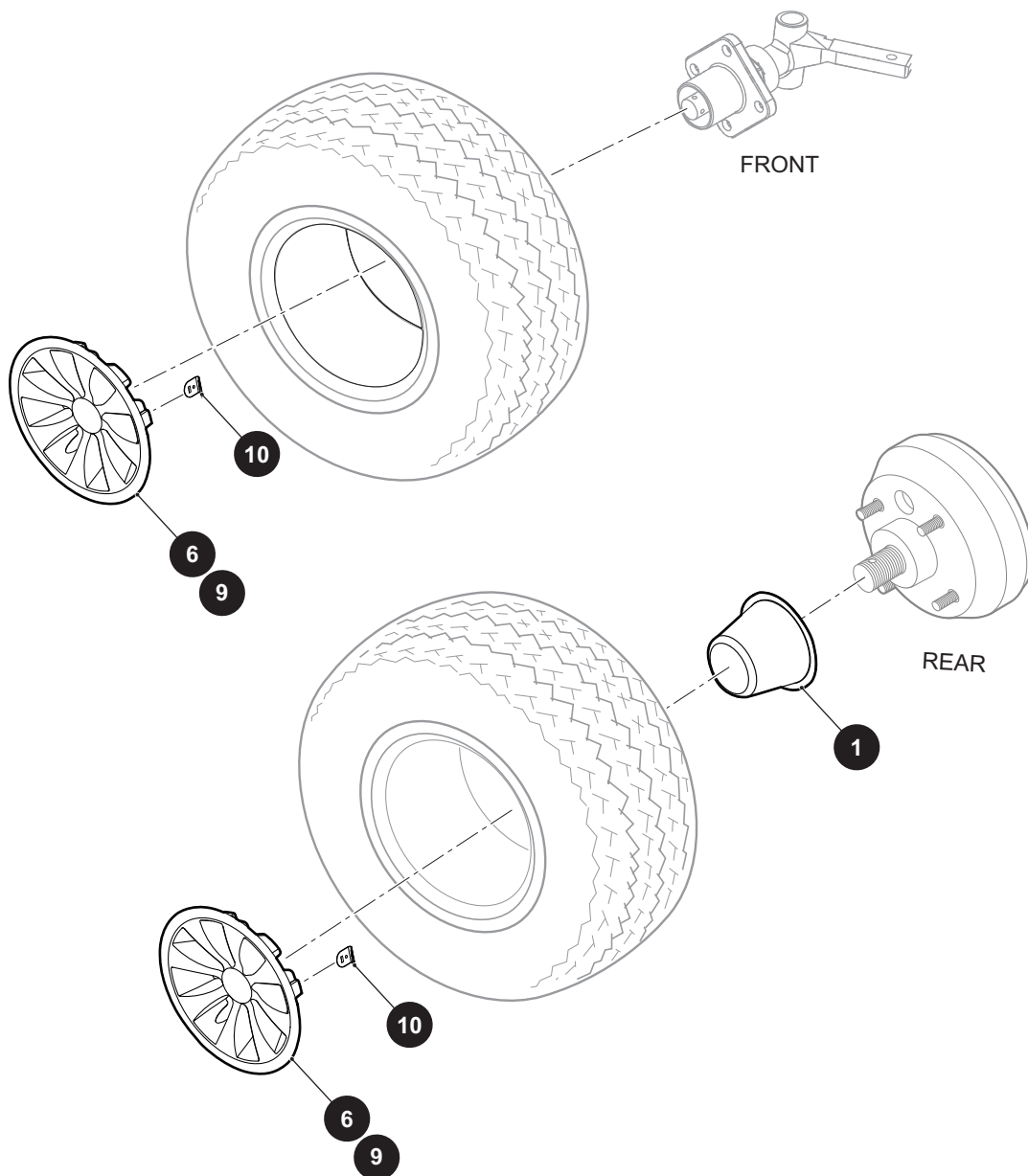
\* Indicates a component that is not available as an individual part.

\*\*\* Indicates consult Customer Service Department for additional information.

ITEM	PART NO.	1 2 3 4 5	DESCRIPTION	QTY.
1	28757G01		WHEEL AND TIRE ASSEMBLY (LINKS) (INCLUDES ITEMS 2 - 4) .....	1
2	28764G01		TIRE (CARLISLE), 18 X 8.5 - 8 .....	1
3	28759G01		WHEEL (WHITE) .....	1
4	11657G2		VALVE STEM.....	1
5	14723G1		LUG NUT, 1/2" - 20 .....	4
6				
7	652394		WHEEL AND TIRE ASSEMBLY (KENDA) (INCLUDES ITEMS 8 - 10) .....	1
8	614438		TIRE, 215/60 - 8, 8PLY .....	1
9	614621		WHEEL, 8 X 7 .....	1
10	643948		VALVE STEM.....	1
11	14723G1		LUG NUT, 1/2" - 20 .....	4
12				
13				
14	652255		WHEEL AND TIRE ASSEMBLY (KENDA) (INCLUDES ITEMS 15 - 17) .....	1
15	652989		TIRE, 18 X 8.5 - 8, 6PLY (KENDA).....	1
16	614621		WHEEL, 8 X 7 .....	1
17	643948		VALVE STEM.....	1
18	14723G1		LUG NUT, 1/2" - 20 .....	4

# WHEELS AND TIRES

- 5 WHEEL COVER ASSEMBLY, GOLD includes item 6, 10
- 8 WHEEL COVER ASSEMBLY, SILVER includes item 9 - 10





# WHEELS AND TIRES

THE USE OF NON U.L. PARTS WILL VOID ANY U.L. LISTING.

When ordering parts, please specify the model and serial number of the product.

\* Indicates a component that is not available as an individual part.

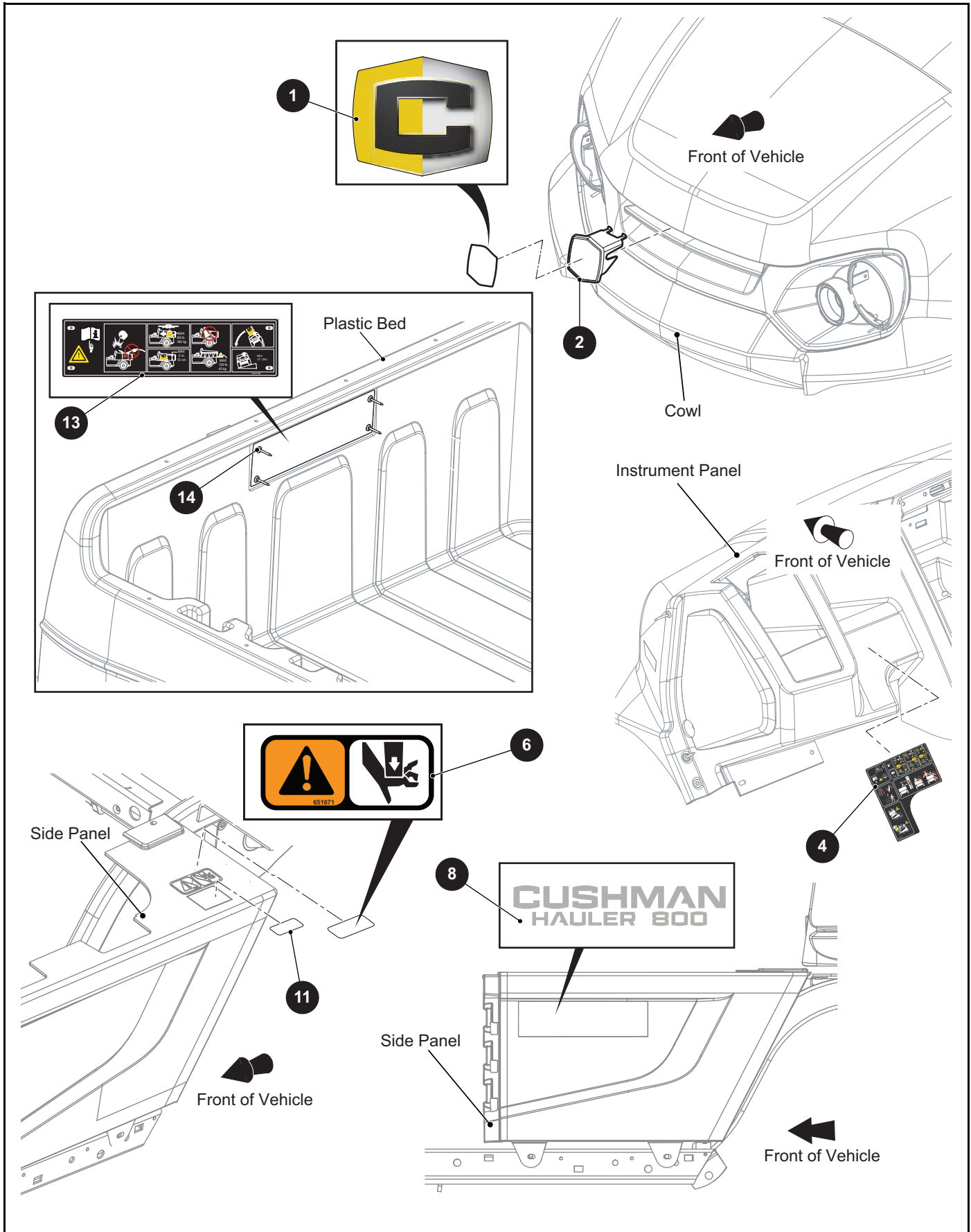
\*\*\* Indicates consult Customer Service Department for additional information.

ITEM	PART NO.	1 2 3 4 5	DESCRIPTION	QTY.
1	74175G01		DUST CAP .....	1
2				
3				
4				
5	665149		WHEEL COVER ASSEMBLY, GOLD (INCLUDES ITEM 6, 10).....	1
6	663133G02		WHEEL COVER .....	1
7				
8	665144		WHEEL COVER ASSEMBLY, SILVER (INCLUDES ITEM 9 - 10) .....	1
9	663133G01		WHEEL COVER .....	1
10	*		CLIP.....	4





# DECALS AND LABELS



## DECALS AND LABELS

THE USE OF NON U.L. PARTS WILL VOID ANY U.L. LISTING.

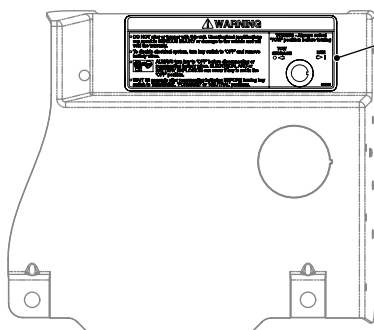
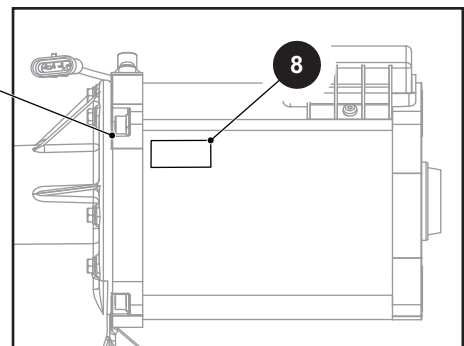
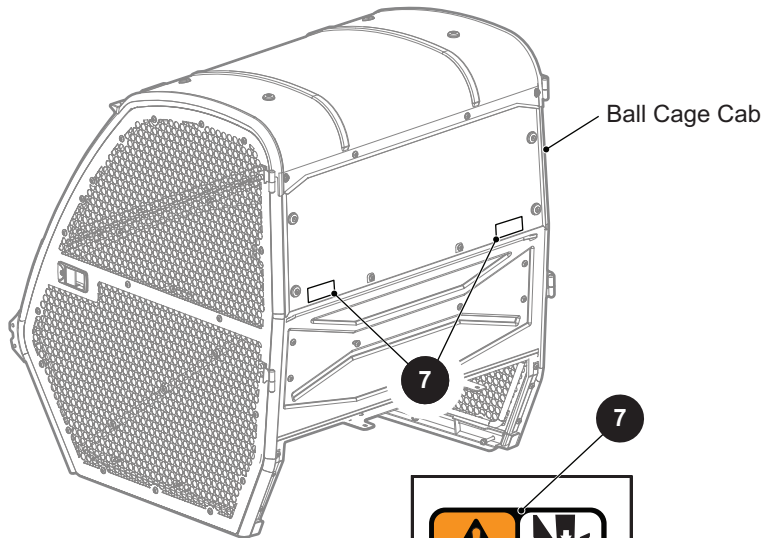
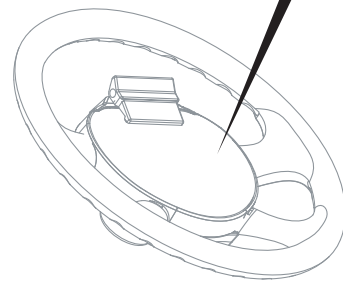
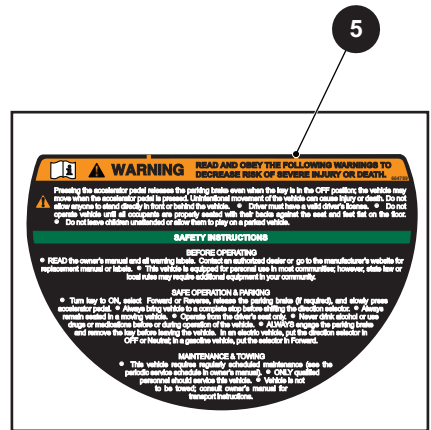
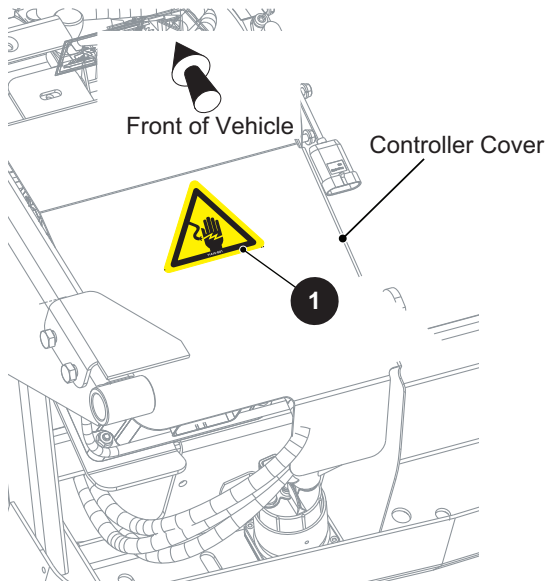
When ordering parts, please specify the model and serial number of the product.

\* Indicates a component that is not available as an individual part.

\*\*\* Indicates consult Customer Service Department for additional information.

ITEM	PART NO.	1 2 3 4 5	DESCRIPTION	QTY.
1	650284		COWL DECAL .....	1
2	649875G01		COWL LOGO ATTACHMENT .....	1
3				
4	651654		OPERATING INSTRUCTION LABEL .....	1
5				
6	651671		PINCH WARNING LABEL .....	1
7				
8	664993		SIDE PANEL DECAL .....	1
9				
10				
11	74099G01		BED LATCH WARNING LABEL.....	1
12				
13	74821G06		LOAD BED LABEL (PLASTIC) (400 LBS) .....	1
14	71055G01		RIVET (ALUMINUM), 3/16" X .985" LG .....	4

# DECALS AND LABELS



## DECALS AND LABELS

THE USE OF NON U.L. PARTS WILL VOID ANY U.L. LISTING.

When ordering parts, please specify the model and serial number of the product.

\* Indicates a component that is not available as an individual part.

\*\*\* Indicates consult Customer Service Department for additional information.

ITEM	PART NO.	1 2 3 4 5	DESCRIPTION	QTY.
1	71415G01		ELECTRIC SHOCK WARNING LABEL .....	1
2				
3				
4	618086		STEERING WHEEL DECAL .....	1
5	664789		WARNING LABEL (STEERING WHEEL) .....	1
6				
7	651671		PINCH WARNING LABEL .....	1
8	75696G01		HOT EXHAUST DECAL.....	1
9	665229		TOW SWITCH DECAL.....	1









**Textron Specialized Vehicles, Inc.**  
1451 Marvin Griffin Road  
Augusta, Georgia 30906 - 3852 USA

**CONTACT US:**

North America:

**Technical Assistance & Warranty** Phone: 1-800-774-3946, FAX: 1-800-448-8124  
**Service Parts** Phone: 1-888-438-3946, FAX: 1-800-752-6175

International:

Phone: 001-706-798-4311, FAX: 001-706-771-4609

Owner's Guides, as well as Repair and Service Manuals  
are available from a local Distributor, or an authorized Branch,  
Parts & Accessories Department or at [www.cushman.com](http://www.cushman.com).

Copyrighted Material

This manual may not be reproduced in whole  
or in part without the express permission of  
TSV Technical Communications Department