



CUSHMAN[®]
LET'S WORK.[®]

SERVICE PARTS MANUAL

Spraytek[®] XP

ISSUED APRIL 2018

672493-C

REVISED SEP 2019

SERVICE PARTS MANUAL

Spraytek[®] XP Diesel

Spraytek[®] XP Gas

STARTING MODEL YEAR 2018

Never modify the vehicle in any way that will alter the weight distribution of the vehicle, decrease its stability or increase the speed beyond the factory specifications. Such modifications can cause serious personal injury or death. Textron Specialized Vehicles Division of Textron Inc. prohibits and disclaims responsibility for any such modifications or any other alteration which would adversely affect the safety of the vehicle.

Textron Specialized Vehicles Division of Textron Inc. reserves the right to incorporate engineering and design changes to products in this manual, without obligation to include these changes on units sold previously.

The information contained in this manual may be revised periodically by Textron Specialized Vehicles, and therefore is subject to change without notice.

Textron Specialized Vehicles **DISCLAIMS LIABILITY FOR ERRORS IN THIS MANUAL**, and **SPECIFICALLY DISCLAIMS LIABILITY FOR INCIDENTAL AND CONSEQUENTIAL DAMAGES** resulting from the use of the information and materials in this Manual.

These are the original instructions as defined by 2006/42/EC.

CONTACT US:

Textron Specialized Vehicles Division of Textron Inc.
1451 Marvin Griffin Road.
Augusta, Georgia, USA 30906-3852

North America:

Technical Assistance & Warranty PHONE: 1-800-774-3946 FAX: 1-800-448-8124

Service Parts PHONE: 1-888-GET-EZGO (1-888-438-3946) FAX: 1-800-752-6175

International: PHONE: 001-706-798-4311 FAX: 001-706-771-4609

cushmancomm@textron.com

GENERAL INFORMATION

To obtain a copy of the limited warranty applicable to the vehicle, call or write a local Distributor, authorized Branch or the Warranty Department with vehicle serial number and manufacturer code.

The use of non Original Equipment Manufacturer (OEM) approved parts may void the warranty.

Tampering with or adjusting the governor to permit vehicle to operate at above factory specifications will void the vehicle warranty.

When servicing engines, all adjustments and replacement components must be per original vehicle specifications in order to maintain the United States of America Federal and State emission certification applicable at the time of manufacture.

BATTERY PROLONGED STORAGE

All batteries will self discharge over time. The rate of self discharge varies depending on the ambient temperature and the age and condition of the batteries.

A fully charged battery will not freeze in winter temperatures unless the temperature falls below -75° F (-60° C).

BATTERY DISPOSAL

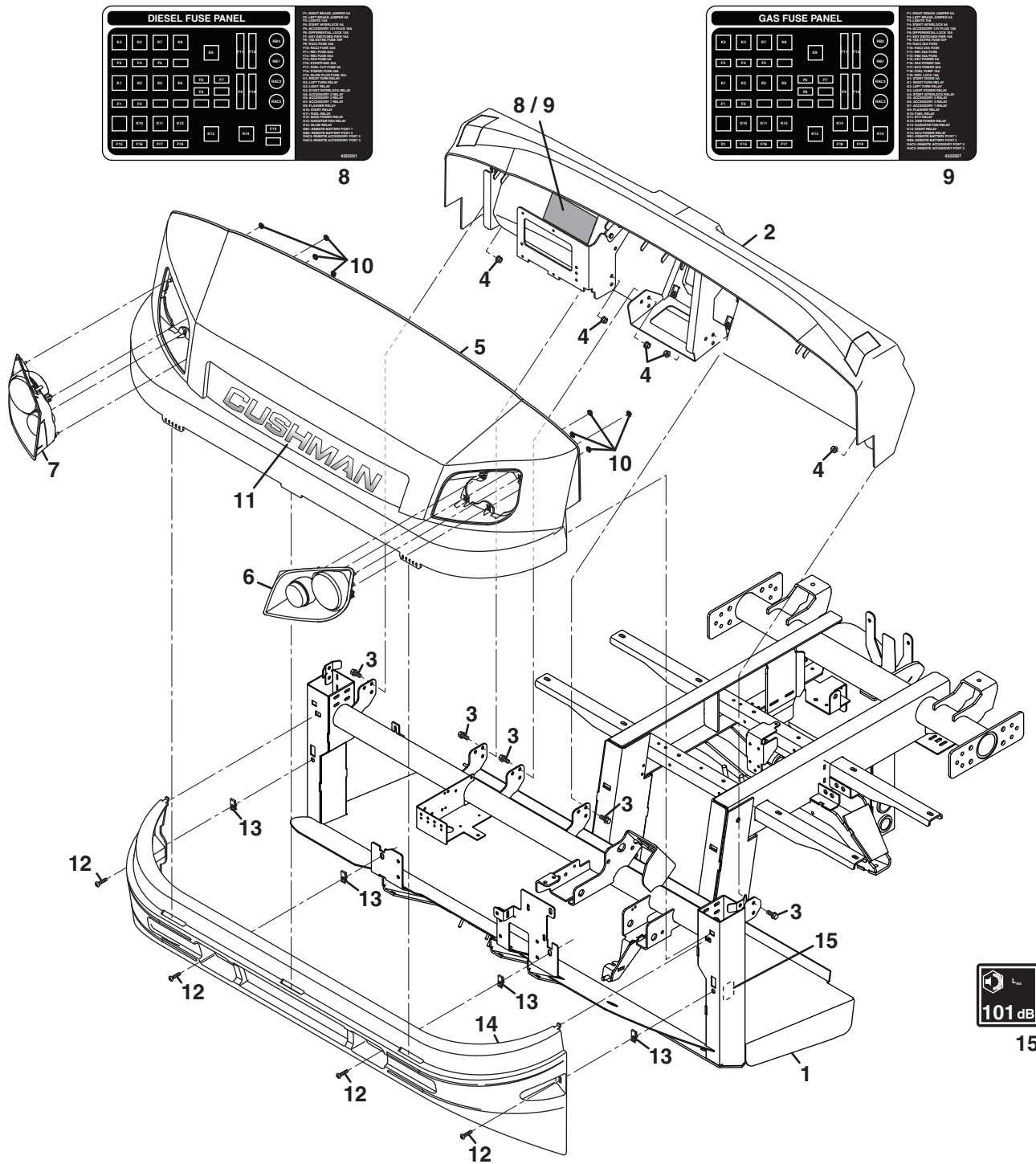
Lead-acid batteries are recyclable. Return whole scrap batteries to distributor, manufacturer or lead smelter for recycling. For neutralized spills, place residue in acid-resistant containers with absorbent material, sand or earth and dispose of in accordance with local, state and federal regulations for acid and lead compounds. Contact local and/or state environmental officials regarding disposal information.

Table of Contents

Front Panels	1	Input and Main Shaft.....	111
Dashboard	3	Gear Shift Fork Linkage	113
Operator Platform	5	Console.....	115
Standard Seat Option	7	Sprayer Controller Options.....	117
Premium Seat Option.....	9	Sprayer Support Frame	119
Control Levers.....	11	175 Gallon Tank	121
Transmission Cables.....	13	300 Gallon Tank	123
Parking Brake Cables	15	Sprayer Pump Assembly.....	125
Diesel Accelerator Pedal	17	Strainer Assembly	126
Gas Accelerator Pedal	18	Sprayer Tank Plumbing.....	127
Diesel Throttle Cable Routing.....	19	Sprayer Manifold Options	129
Brake and Clutch Pedals.....	21	440 Manifold	131
Brake Calipers and Wheels.....	23	203 Manifold	132
Brake Hose Routing.....	25	440 + Sharpshooter Manifold.....	133
Frame	27	Envizio Pro II Manifold.....	134
ROPS	29	Boom Mount	135
Rear Axle	31	Boom Assembly.....	137
Front Axle Assembly	33	Three Nozzle Center Boom	139
2WD Front Axle	35	Four Nozzle Center Section	141
4WD Front Axle	37	Three Nozzle Left Boom	143
Steering Column	39	Four Nozzle Left Boom.....	145
Air Filter	41	Three Nozzle Right Boom	147
Radiator.....	43	Four Nozzle Right Boom	149
Diesel Radiator Hoses	45	Relay Box.....	151
Gas Radiator Hoses.....	46	Sprayer Harness Routing.....	153
Diesel Engine and Transmission Mount.....	47	SharpShooter Harnesses	155
Gas Engine and Transmission Mount.....	49	Clean Rinse Accessory	157
Diesel Engine.....	51	Electric Rewind Hose Reel.....	159
Gas Engine	53	Manual Rewind Hose Reel	161
Diesel Exhaust.....	55	Cleanload Accessory.....	163
Gas Exhaust	57	Foam Marker.....	165
Diesel Fuel System	59	Water Meter Accessories	167
Gas Fuel System	61	Tank Rinse and Spray Gun	168
Suction and Return Hydraulics.....	65		
Bed Cylinder Hydraulics.....	67		
Steering Hydraulics	69		
Hi-Lo Hydraulic Tank	71		
Hi-Lo Hydraulics.....	73		
Fuse/Relay Panel.....	75		
Harness Routing	77		
No Bed Option	79		
Bed with Box Sides Option	80		
Bed and Box Sides.....	81		
Front Dual Piston Calipers	83		
Rear Single Piston Caliper	84		
Parking Brake Caliper.....	85		
Hi/Lo Control Valve.....	86		
Single Section Gear Pump	87		
Two Section Gear Pump.....	88		
Accessory Cylinder.....	89		
Steering Cylinders	90		
Lift Valve	91		
Steering Valve	93		
Front Axle Breakdown.....	95		
Front and Rear Axle Cover.....	97		
Axle Shafts.....	99		
Input Shaft	101		
Differential	103		
4WD Output Shaft	105		
Transmission Clutch Release-Shift Selector.....	107		
Transmission Case	109		

SPRAYTEK XP

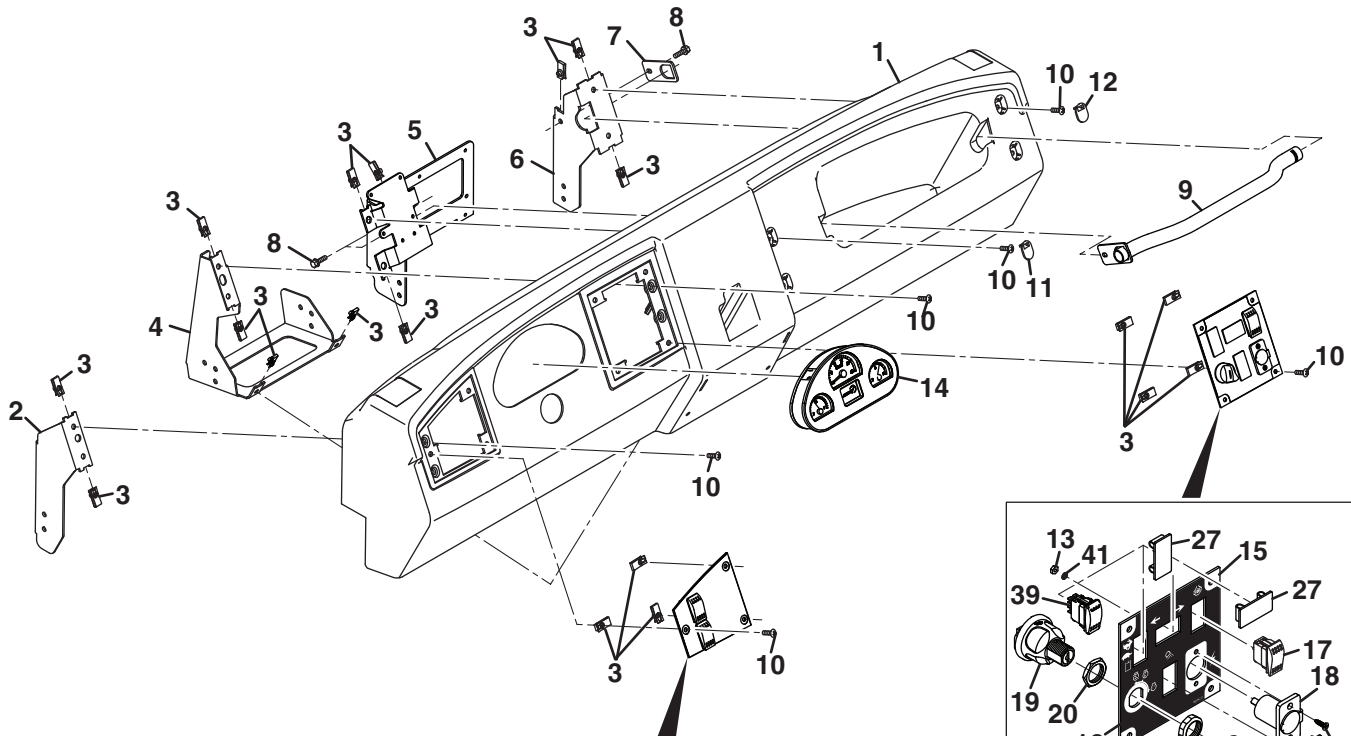
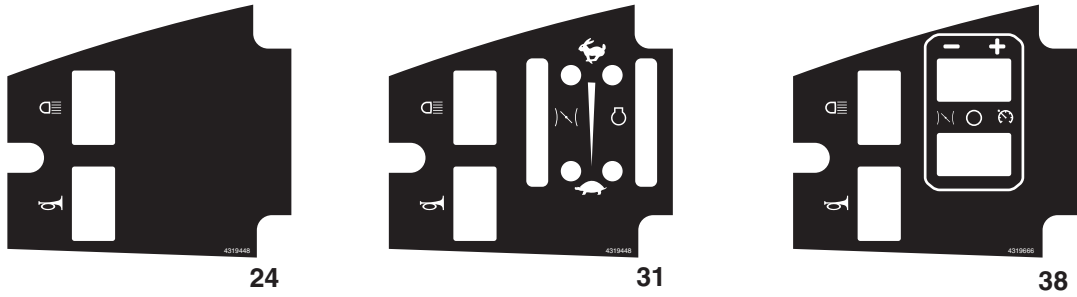
Front Panels



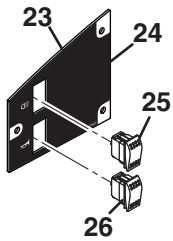
Item	Part No.	Qty.	Description
1	4349167	1	Frame, Front
2	REF	1	Dash Board Assembly
3	548971	12	Screw, 5/16-18 x 5/8" Hex Flange
4	548911	12	Nut, 5/16-18 Hex Flange
5	671150GXX	1	Front Cowl
6	644877	1	Headlight, Driver Side
7	644876	1	Headlight, Passenger Side
8	4322031	1	Decal, Diesel Fuse Panel
9	4322027	1	Decal, Gasoline Fuse Panel
10	4316150	8	Nut, Self Threading
11	671177	1	Decal, Cushman
12	800582	4	Screw, 1/4-20 x 3/4" Truss Head
13	4315646	4	Nut, 1/4-20 U-Type
14	4313486	1	Bumper, Front
15	4131531	1	Decal, 101 DB Noise

SPRAYTEK XP

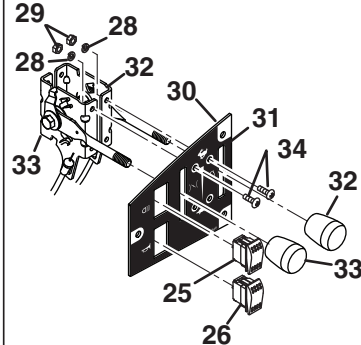
Dashboard



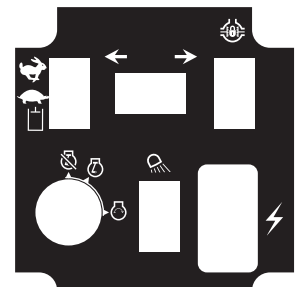
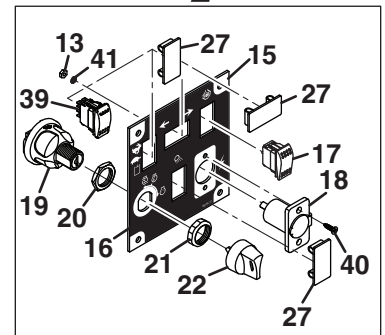
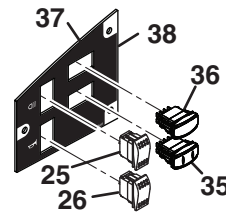
Standard Panel



Diesel Speed Control Panel Option



Gas Speed Control Panel Option

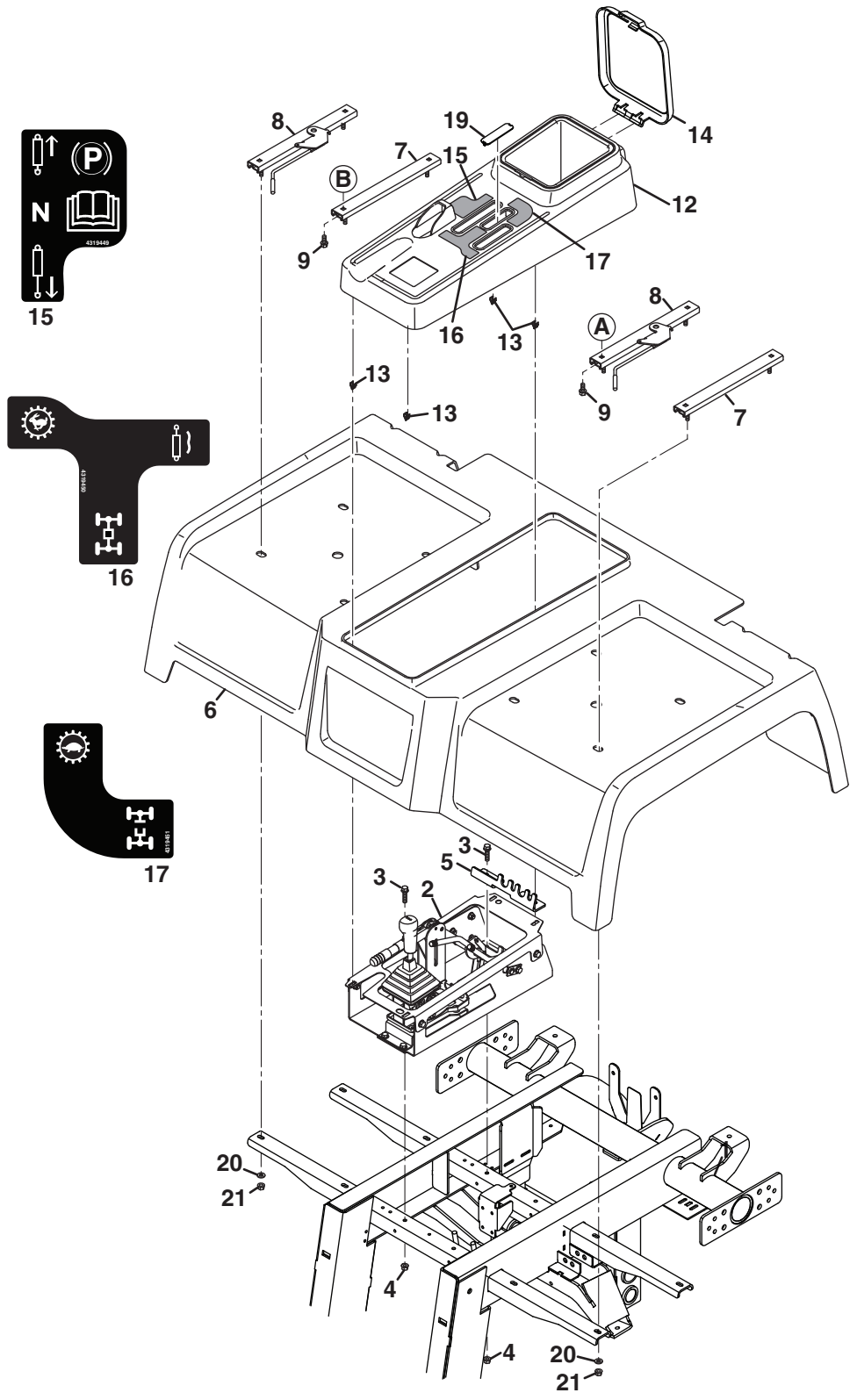
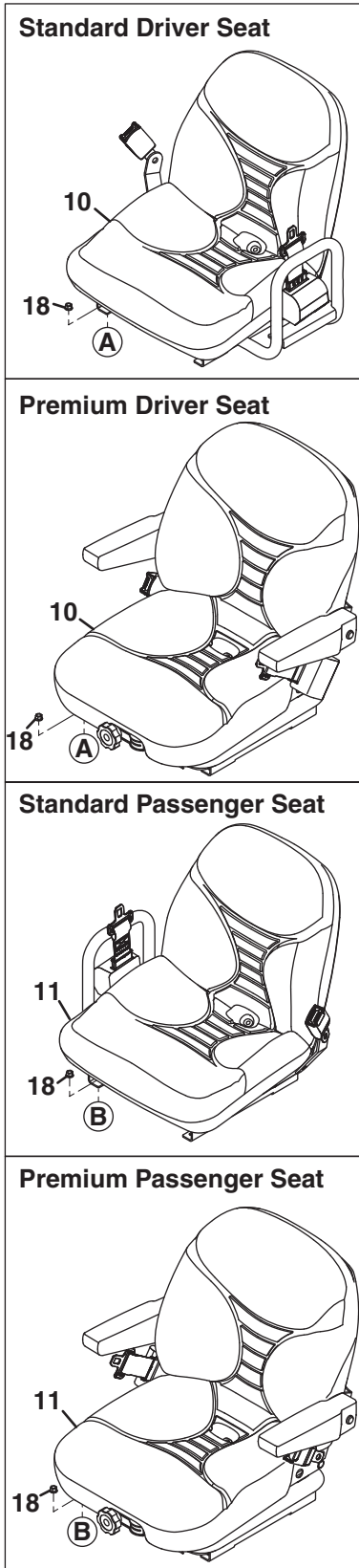


16

Item	Part No.	Qty.	Description
1	671853	1	Dashboard
2	4317266	1	Support, Left Side Dash
3	4315646	19	Nut, 1/4-20 U-Type
4	4317267	1	Support, Center Dash
5	4308960	1	Support, Dash
6	4308959	1	Support, Right Side Dash
7	4308956	1	Bracket, Handle Support
8	548045	2	Screw, 1/4-20 x 3/4" Hex Flange
9	4326289	1	Handle, Grab
10	404016	16	Screw, 1/4-20 x 5/8" Truss Head
11	4315826	2	Cover, Left Side Screw
12	4315827	2	Cover, Right Side Screw
13	444304	2	Nut, #6-32 Hex
14	669954	1	Cluster, Instrument
15	4313708	1	Plate, Control Panel
16	4319447	1	Decal, Control Panel
17	4324687	1	Switch, Differential Lock
18	843942	1	Socket, 12V Accessory Plug
19	4283269	1	Switch, 3 Position Ignition (Includes Items 20 - 22)
20	4283653	1	• Nut, Backing
21	4283652	1	• Nut, Switch Face
22	4283654	1	• Key
23	4308964	1	Panel, Left Side Dash
24	4319606	1	Decal, Left Side Dash
25	4130132	1	Switch, Lights
26	4130133	1	Switch, Horn
27	4225220	3	Plug, Panel
28	446118	4	Lockwasher, #10
29	444310	4	Nut, #10-24 Hex Flange
30	4308875	1	Panel, Diesel Speed Control
31	4319448	1	Decal, Diesel Speed Control
32	4305936	1	Cable, Governor Control
33	4302212	1	Cable, Hand Throttle
34	800271	4	Screw, #10-24 x 1/2" Pan Head
35	4324708	1	Switch, Stationary/Cruise
36	4324707	1	Switch, Set/Resume
37	4319627	1	Panel, Gas Speed Control
38	4319666	1	Decal, Gas Speed Control
39	4324706	1	Switch, Hi-Lo Control
40	4201880	2	Screw, #6-32 x 1/2" Flat Head
41	447002	2	Lockwasher, #6 External Tooth

SPRAYTEK XP

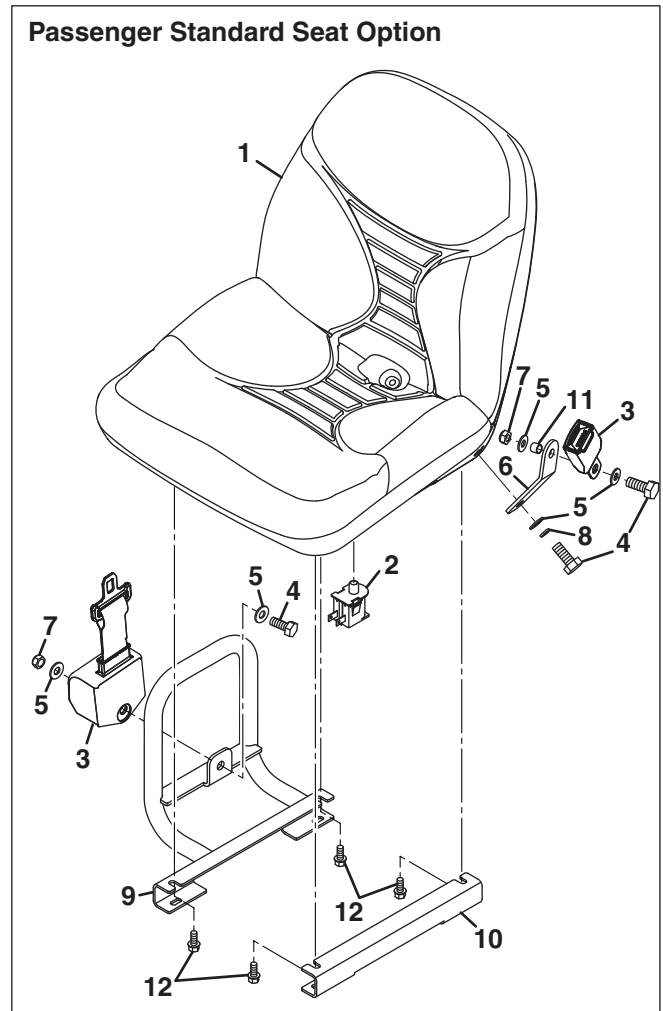
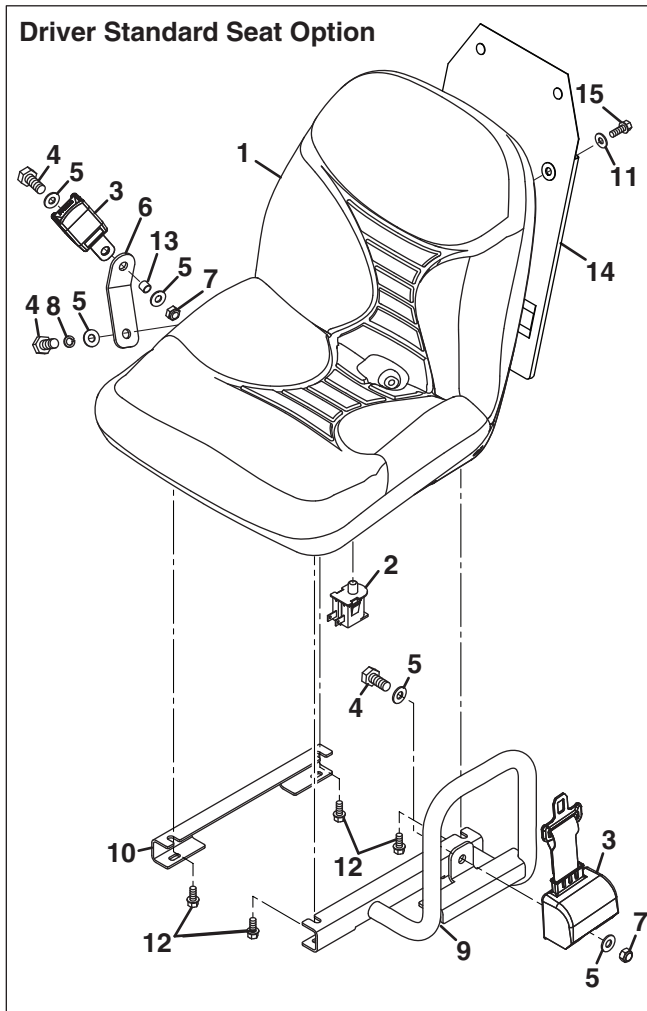
Operator Platform



Item	Part No.	Qty.	Description
1	4349167	1	Frame, Front
2	REF	1	Control Lever Assembly
3	548902	4	Screw, 5/16-18 x 1" Hex Flange
4	548911	4	Nut, 5/16-18 Hex Flange
5	4316846	1	Bracket, Control Cable
6	671854	1	Front Fender
7	523357	2	Adjuster, Slave
8	523356	2	Adjuster, Latching
9	3001328	8	Screw, 5/16-18 x 5/8" Hex Flange
10	REF	1	Seat, Standard Driver
10	REF	1	Seat, Premium Driver
11	REF	1	Seat, Standard Passenger
11	REF	1	Seat, Premium Passenger
12	4312006	1	Center Console
13	4316446	4	Clip, High Retention
14	4299378	1	Lid, Center Console
15	4319449	1	Decal, Lift/Lower
16	4319450	1	Decal, Front Console
17	4319451	1	Decal, Rear Console
18	445795	8	Nut, 5/16-18 Spiralock Flange
19	4313709	1	Plug, Hole (2WD Only)
20	453009	8	Flat Washer, 5/16
21	445802	8	Nut, 5/16-18 Nylon Insert Hex

SPRAYTEK XP

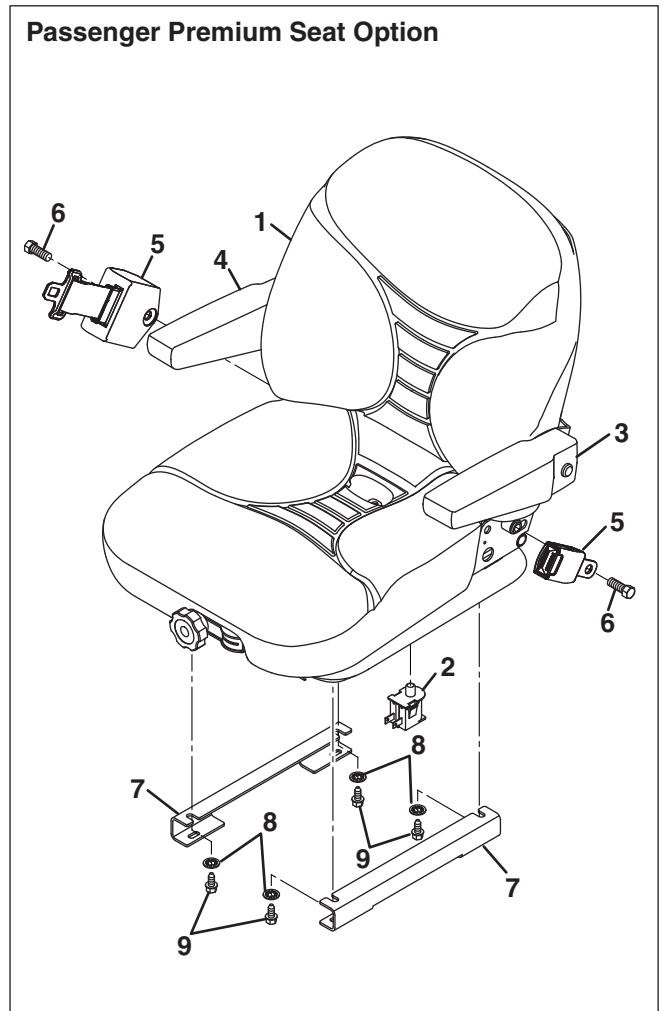
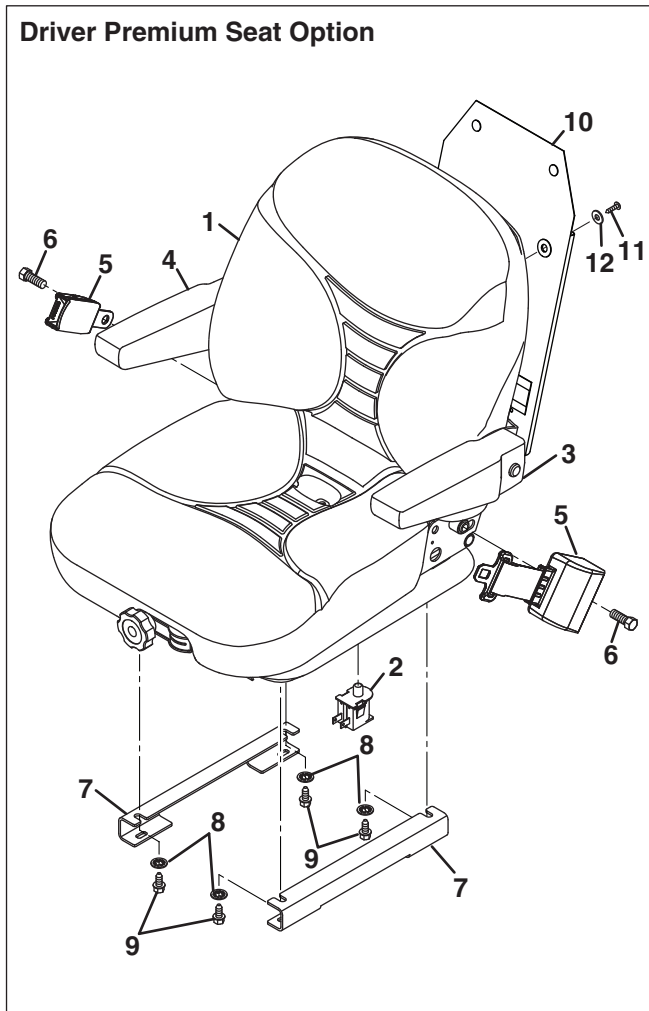
Standard Seat Option



Item	Part No.	Qty.	Description
Driver Standard Seat Option			
1	4202462	1	Seat, V2853
2	4217502	1	• Switch, Seat
3	4257812	1	Seat Belt (Latching and Retracting Components)
4	450214	3	Screw, M10-1.5 x 25 mm Hex Head
5	450401	5	Flat Washer, M10
6	4307258	1	Bracket, Buckle
7	450379	2	Nut, M10-1.5 Nylon Insert
8	450412	2	Lockwasher, M10
9	4299090	1	Support, Driver Seat
10	4319947	1	Support, Seat
11	450400	2	Flat Washer, M8
12	450190	4	Screw, M8-1.25 x 16 mm Hex Head
13	4205942	1	Spacer, 1/2 x 11/32
14	3003928	1	Pouch, Product Literature
15	452388	2	Screw, M8-1.25 x 20 mm Hex Flange
Passenger Standard Seat Option			
1	4202462	1	Seat, V2853
2	4217502	1	• Switch, Seat
3	4257812	1	Seat Belt (Latching and Retracting Components)
4	450214	3	Screw, M10-1.5 x 25 mm Hex Head
5	450401	5	Flat Washer, M10
6	4307258	1	Bracket, Buckle
7	450379	2	Nut, M10-1.5 Nylon Insert
8	450412	2	Lockwasher, M10
9	4299091	1	Support, Passenger Seat
10	4319947	1	Support, Seat
11	4205942	1	Spacer, 1/2 x 11/32
12	450190	4	Screw, M8-1.25 x 16 mm Hex Head

SPRAYTEK XP

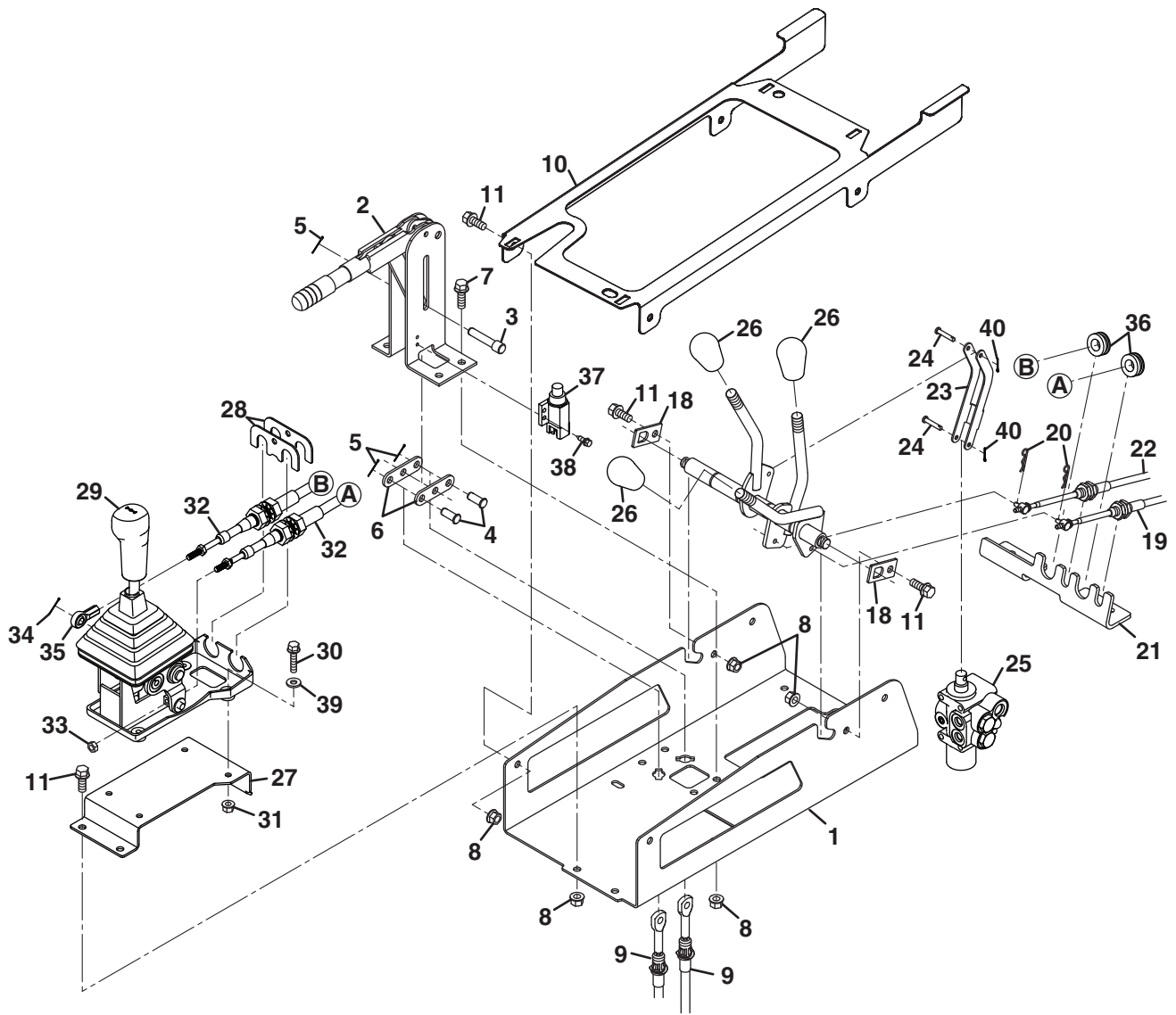
Premium Seat Option



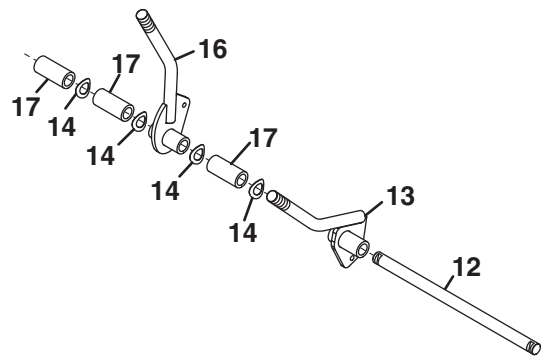
Item	Part No.	Qty.	Description
Driver Premium Seat Option			
1	4139433	1	Seat, V5300 Suspension (Includes Items 2 - 4)
2	4139450	1	• Switch, Seat
	4139436	1	• Kit, Arm Rest
3	4139434	1	• • Arm Rest, Driver Side
4	4139435	1	• • Arm Rest, Passenger Side
5	4257812	1	Seat Belt (Latching and Retracting Components)
6	400370	2	Screw, 7/16-20 x 1" Hex Head
7	4319947	2	Support, Seat
8	447216	4	Lockwasher, 3/8 Internal Tooth
9	409812	4	Screw, 5/16-18 x 3/4" Thread Cutting
10	3003928	1	Pouch, Product Literature
11	800943	2	Screw, #10-16 x 3/4" Thread Cutting
12	452004	2	Flat Washer, 1/4
Passenger Premium Seat Option			
1	4139433	1	Seat, V5300 Suspension (Includes Items 2 - 4)
2	4139450	1	• Switch, Seat
	4139436	1	• Kit, Arm Rest
3	4139434	1	• • Arm Rest, Driver Side
4	4139435	1	• • Arm Rest, Passenger Side
5	4257812	1	Seat Belt (Latching and Retracting Components)
6	400370	2	Screw, 7/16-20 x 1" Hex Head
7	4319947	2	Support, Seat
8	447216	4	Lockwasher, 3/8 Internal Tooth
9	409812	4	Screw, 5/16-18 x 3/4" Thread Cutting

SPRAYTEK XP

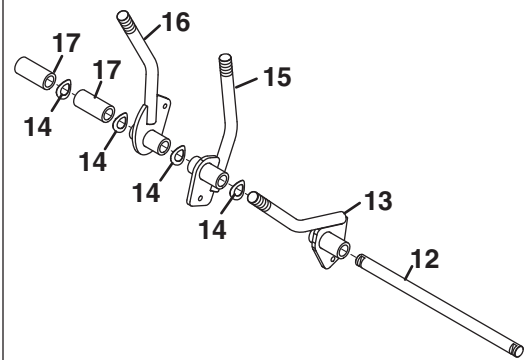
Control Levers



2WD Option Control Levers



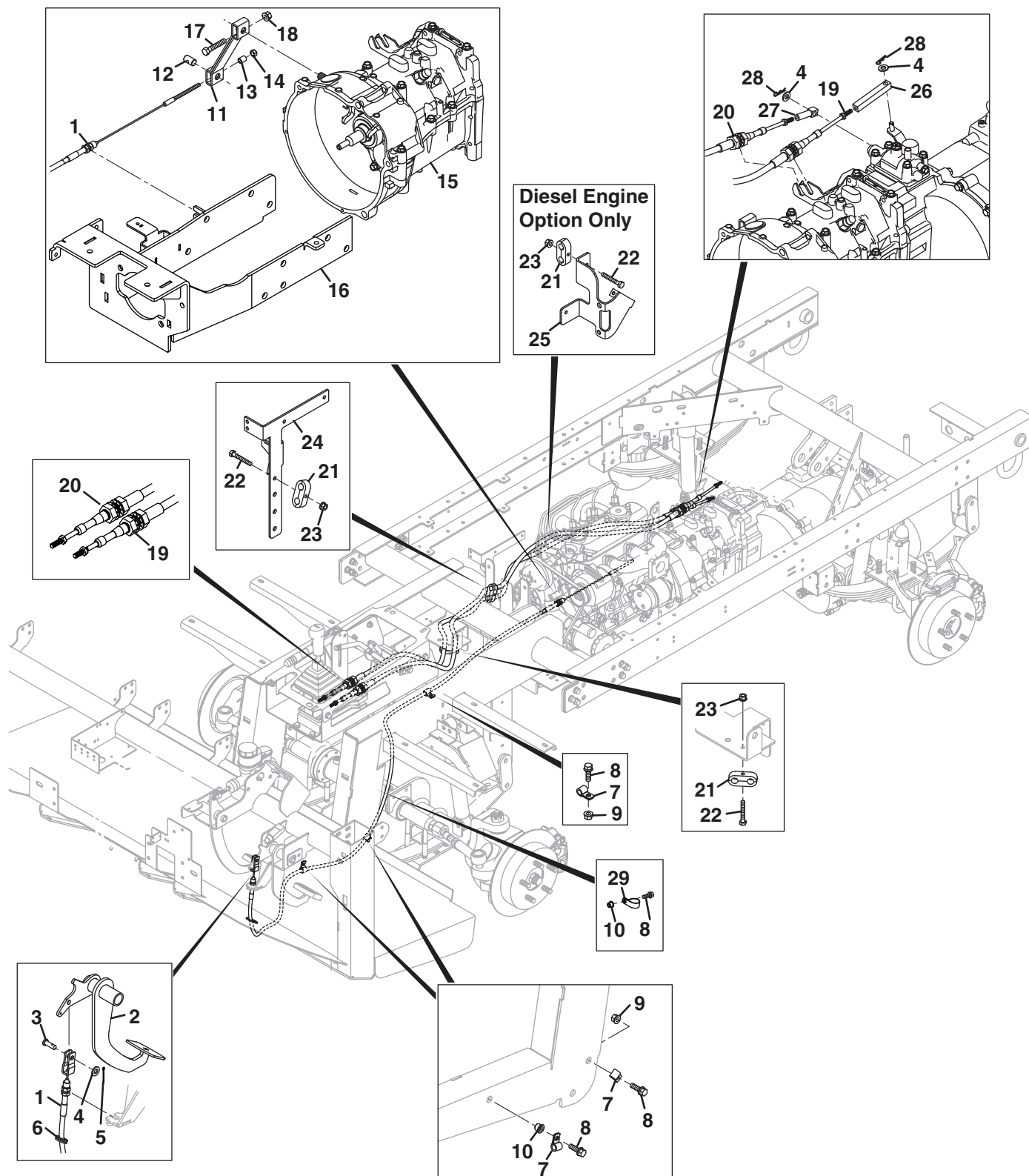
4WD Option Control Levers



Item	Part No.	Qty.	Description
1	4312068	1	Bracket, Center Base
2	4302854	1	Parking Brake Lever (Includes Items 3 - 6)
3	N/S	1	• Clevis Pin
4	545234	2	• Clevis Pin
5	460004	2	• Cotter Pin, 1/16 x 3/4"
6	N/S	2	• Spacer Plate
7	403751	4	Screw, 5/16-18 x 3/4" Hex Flange
8	548911	12	Nut, 5/16-18 Hex Flange
9	4304018	2	Cable, Parking Brake
10	4312072	1	Bracket, Console
11	548971	8	Screw 5/16-18 x 5/8" Hex Flange
12	4312066	1	Pin, Pivot
13	4306206	1	Lever, Hi/Lo Rear Axle
14	454025	4	Washer, 1/2" Spring
15	4306205	1	Lever (4WD Only)
16	4306204	1	Lever, Lift/Lower
17	4312073	3	Spacer, Lever (2WD Only)
17	4312073	2	Spacer, Lever (4WD Only)
18	4312069	2	Plate, Pivot Hold Down
19	4316308	1	Cable, Hi-Lo Control
20	821164	2	Hair Pin, 1/4 x 1-1/8 x 1/16"
21	4316846	1	Bracket, Control Cable
22	4316308	1	Cable, Control (4WD Only)
23	4312070	1	Shackle, Lift/Lower
24	823225	2	Clevis Pin, 3/16 x 1"
25	886270	1	Valve, Lift
	884599	1	• Seal Kit
26	4127340	2	Knob, Lever (2WD Only)
26	4127340	3	Knob, Lever (4WD Only)
27	4316926	1	Bracket, Shifter Mount
28	4325086	2	Plate, Shifter Cable
29	4314746	1	Shifter Assembly
30	452379	4	Screw, M6-1 x 25 mm Hex Head
31	452435	4	Locknut, M6-1 Hex Flange Insert
32	4317968	2	Cable, Shifter
33	400148	1	Nut, M6-1 Hex Jam
34	460004	1	Cotter Pin, 1/16 x 3/4"
35	4317654	1	Rod End, M6-1 Thread
36	809231	2	Grommet
37	4208074	1	Switch, Parking Brake
38	409804	2	Screw, #10-24 x 1/2" Thread Cutting
39	453023	4	Flat Washer, 1/4"
40	460010	2	Cotter Pin, 3/32 x 1/2"

SPRAYTEK XP

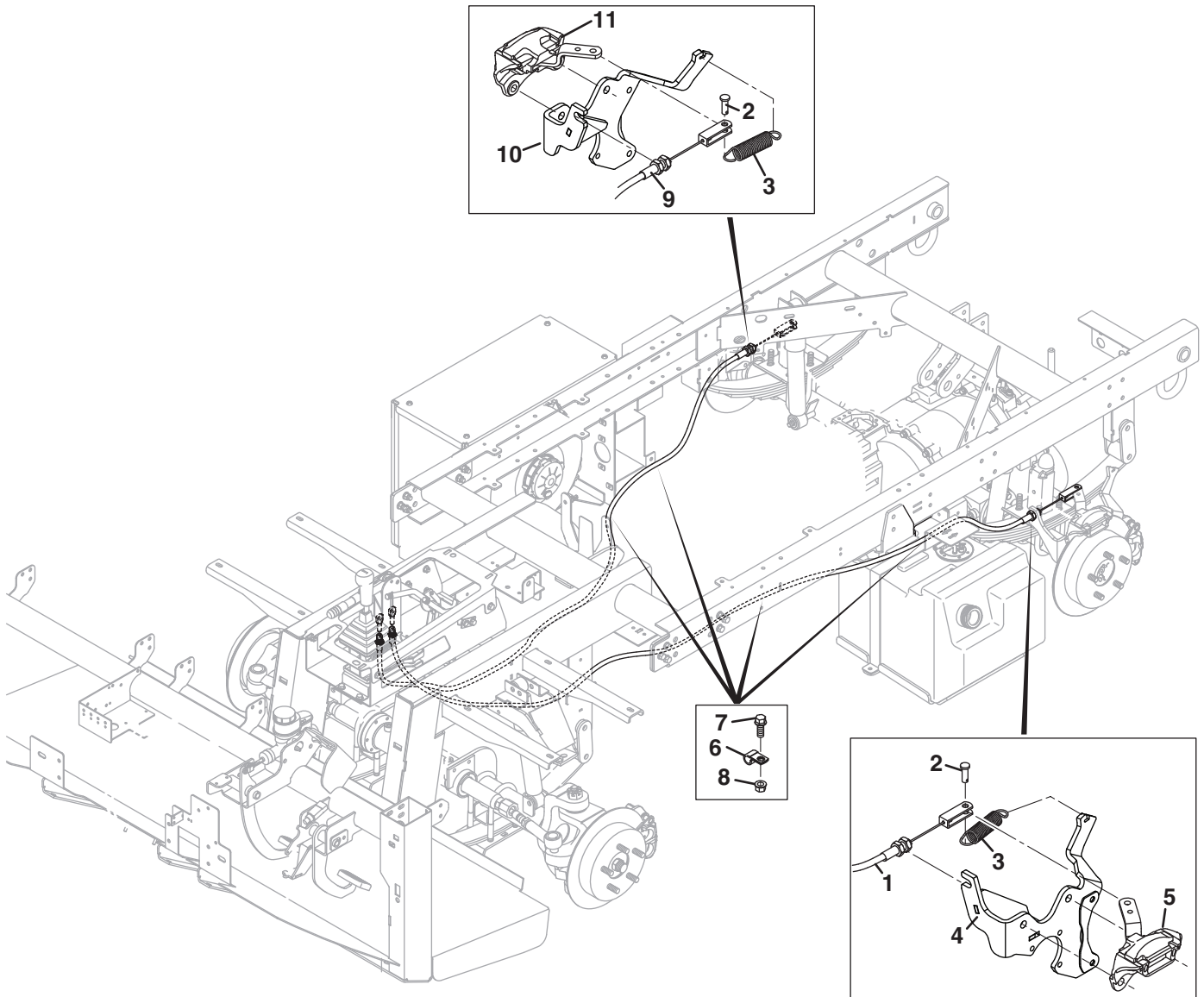
Transmission Cables



Item	Part No.	Qty.	Description
1	4314189	1	Cable, Clutch
2	4306676	1	Pedal, Clutch
3	806714	1	Clevis Pin, 5/16 x 15/16"
4	453009	3	Flat Washer, 5/16
5	306328	1	Cotter Pin, 3/32 x 3/4"
6	813997	1	Grommet, 7/8 x 1-3/8 x 3/8"
7	3003773	3	Clamp, 1/4"
8	403751	4	Screw, 5/16-18 x 3/4" Hex Flange
9	548911	2	Nut, 5/16-18 Hex Flange
10	400150	2	Nut, 5/16-18 Insert
11	23266-85002	1	Arm, Clutch Release
12	842010	1	Bushing, Clutch Arm
13	833273	1	Bushing
14	450377	1	Nut, M6-1 Nylon Insert
15	4317490	1	Transmission, 5 Speed Manual
16	4307840	1	Mount, Diesel Engine
16	4307841	1	Mount, Gas Engine
17	01550-08353	1	Screw
18	2703002	1	Nut
19	4317968	1	Cable, Left Side Shifter
20	4317968	1	Cable, Right Side Shifter
21	364741	3	Clamp, Double Hose (Diesel Only)
21	364741	2	Clamp, Double Hose (Gas Only)
22	400116	3	Screw, 1/4-20 x 1-1/2" Hex Head (Diesel Only)
22	400116	2	Screw, 1/4-20 x 1-1/2" Hex Head (Gas Only)
23	548910	3	Nut, 1/4-20 Hex Flange (Diesel Only)
23	548910	2	Nut, 1/4-20 Hex Flange (Gas Only)
24	4307842	1	Bracket, Throttle Cable
25	4316347	1	Bracket, Throttle
26	2703707	1	Connector, Shift Cable
27	843778	1	Connector, Shift Cable
28	821164	2	Hair Pin, 1/4 x 1-1/8 x 1/16"
29	354080	1	Clamp, 1" Hose

SPRAYTEK XP

Parking Brake Cables

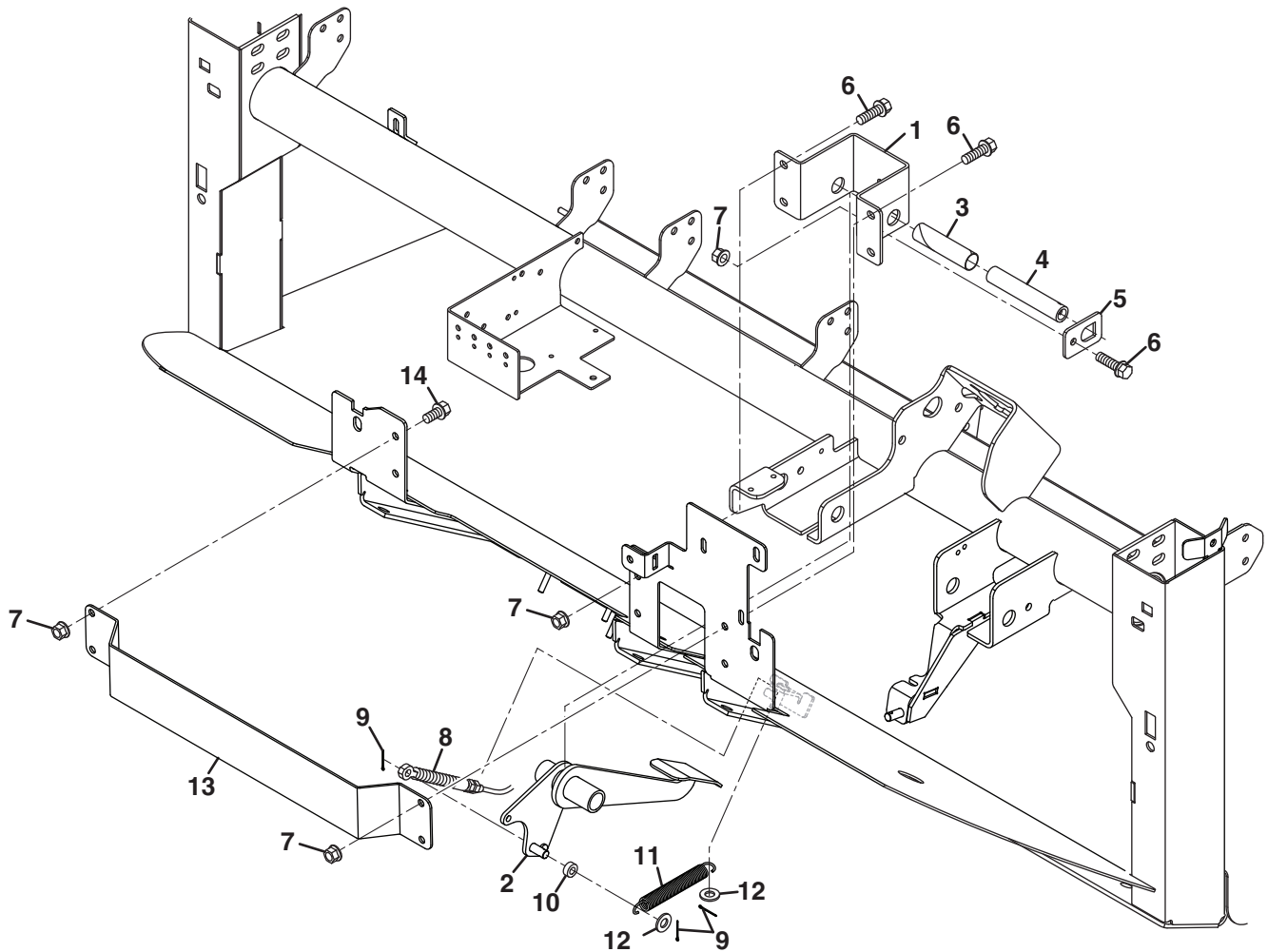


Item	Part No.	Qty.	Description
1	4304018	1	Cable, Driver Side Parking Brake
2	64188-03	2	Clevis Pin, 3/8 x 1-1/8"
3	353767	2	Spring, Extension
4	4324169	1	Bracket, Left Side Rear Caliper
5	4310731	1	Caliper, Driver Side Parking Brake
6	345666	6	Clamp, 1/2"
7	403751	6	Screw, 5/16-18 x 3/4" Hex Flange
8	548911	6	Nut, 5/16-18 Hex Flange
9	4304018	1	Cable, Passenger Side Parking Brake
10	4324167	1	Bracket, Right Side Rear Caliper
11	4310746	1	Caliper, Passenger Side Parking Brake

SPRAYTEK XP

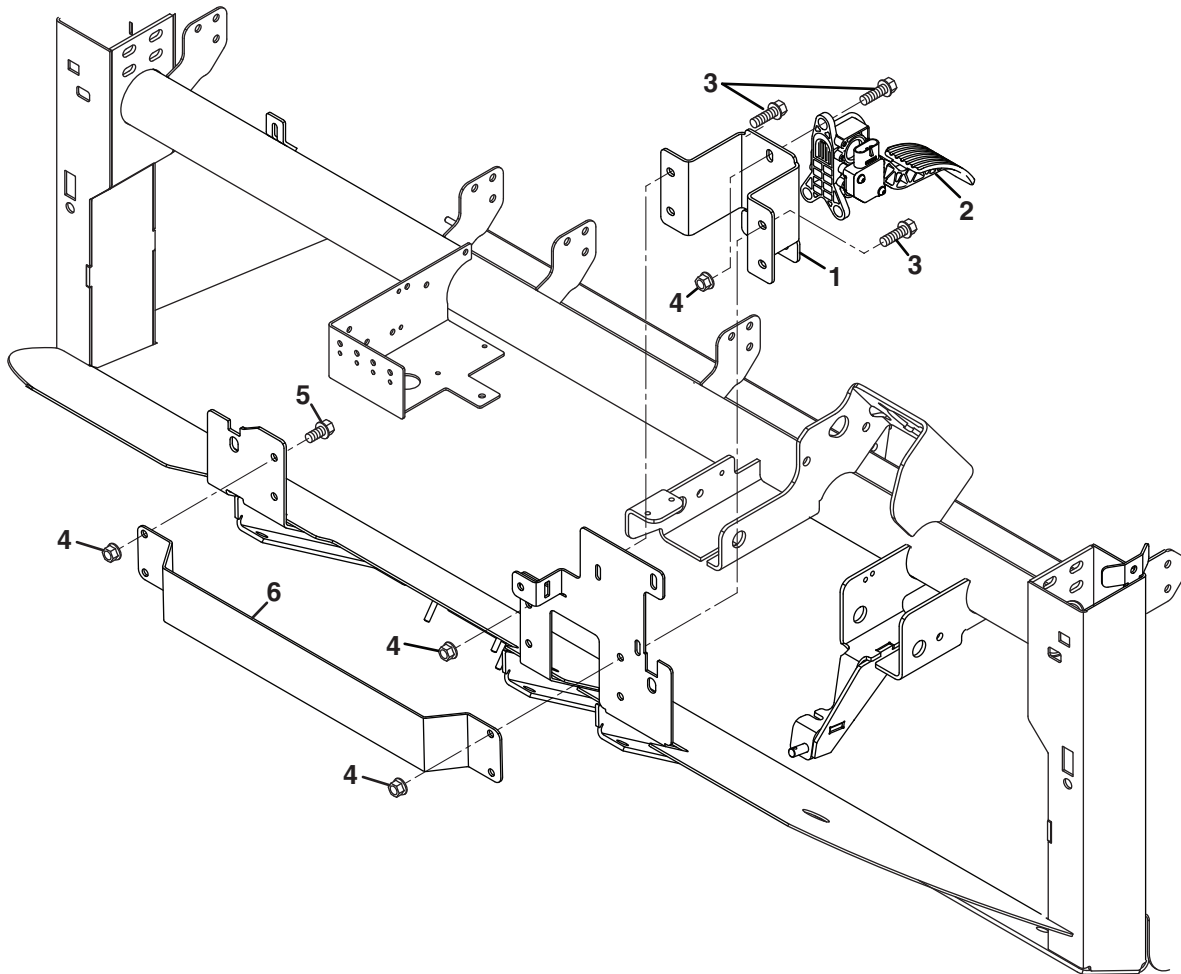
Diesel Accelerator Pedal

Diesel Engine Option



Item	Part No.	Qty.	Description
1	4305758	1	Bracket, Accelerator Pedal
2	4306088	1	Pedal, Accelerator
3	4317566	1	Bearing, Pivot
4	840725	1	Pin, Pivot
5	842935	1	Tab, Locking
6	800710	5	Screw, 5/16-18 x 1" Hex Flange
7	548911	7	Nut, 5/16-18 Hex Flange
8	4306075	1	Cable, Accelerator
9	306328	3	Cotter Pin, 3/32 x 3/4"
10	4205942	1	Spacer,
11	4328206	1	Spring, Pedal Return
12	453011	2	Flat Washer, 3/8
13	4299379	1	Guard, Steering Tube
14	548971	2	Screw, 5/16-18 x 5/8" Hex Flange

Gas Accelerator Pedal Gas Engine Option

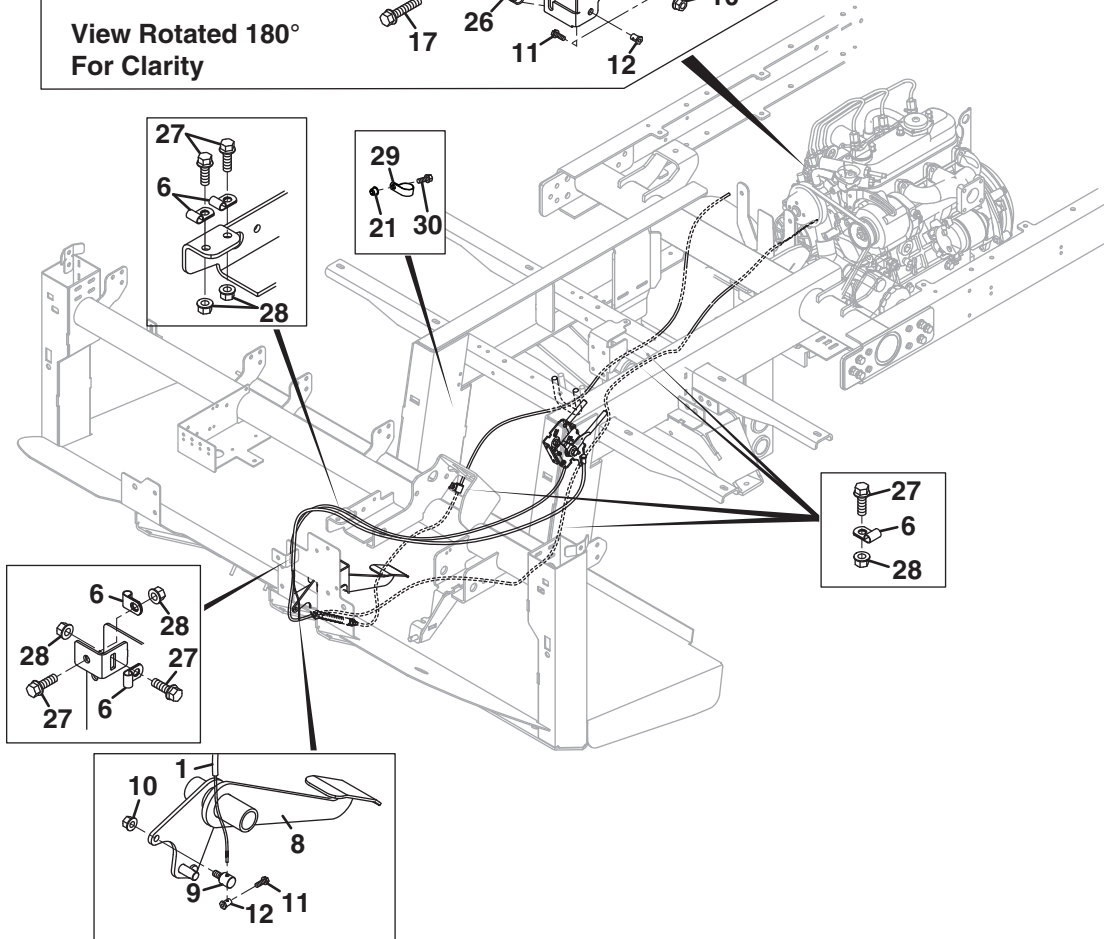
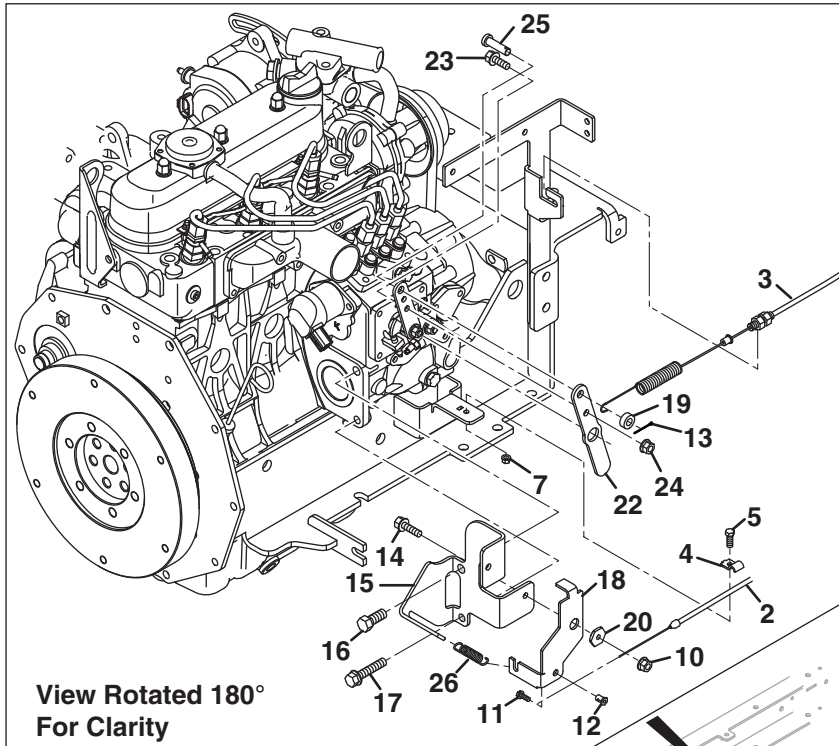


Item	Part No.	Qty.	Description
1	4305379	1	Bracket, Pedal
2	4305075	1	Pedal, Accelerator
3	800710	7	Screw, 5/16-18 x 1" Hex Flange
4	548911	9	Nut, 5/16-18 Hex Flange
5	548971	2	Screw, 5/16-18 x 5/8" Hex Flange
6	4299379	1	Guard, Steering Tube

SPRAYTEK XP

Diesel Throttle Cable Routing

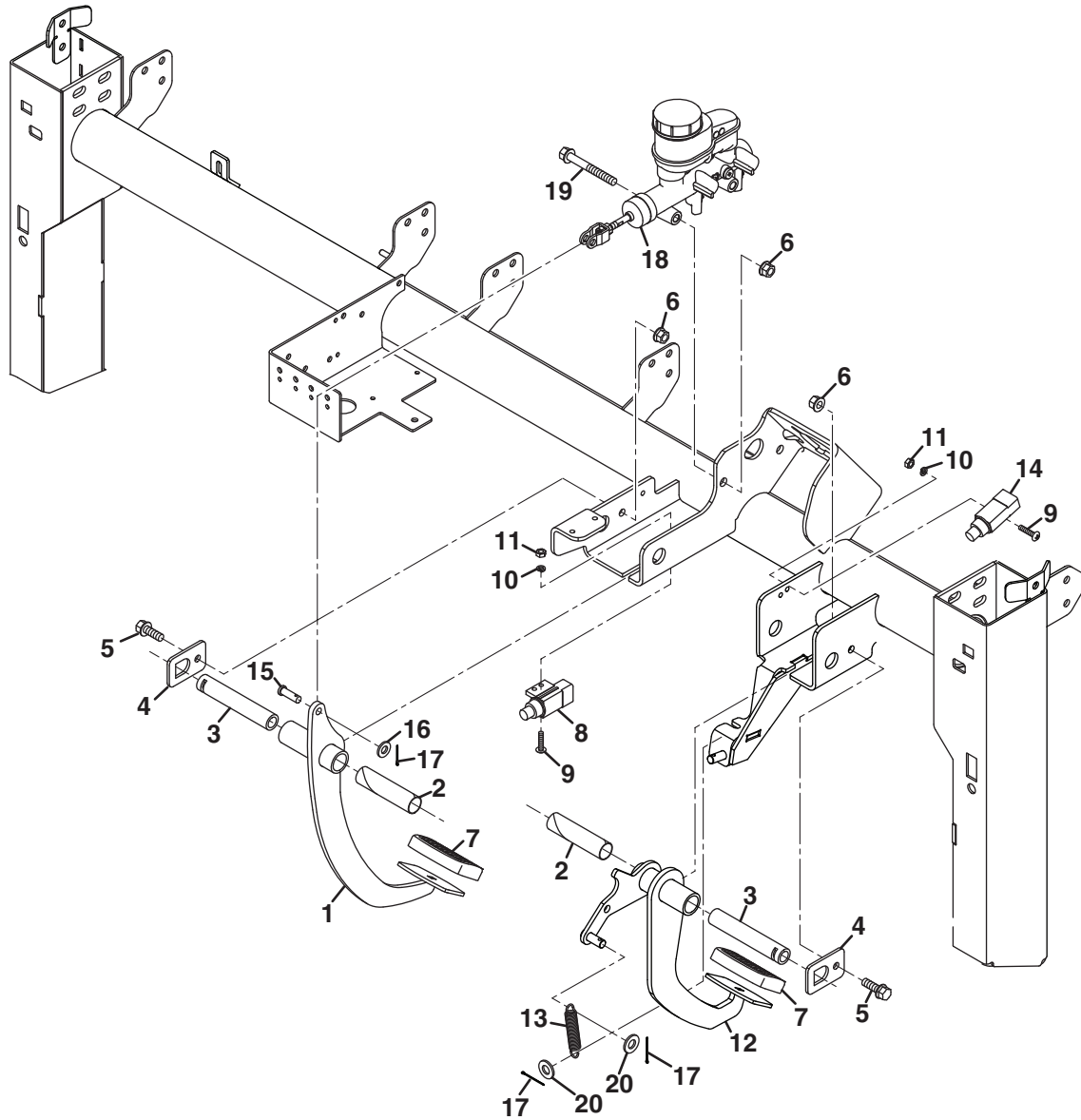
Diesel Engine Option



Item	Part No.	Qty.	Description
● 1	4302212	1	Cable, Hand Throttle
● 2	4305936	1	Cable, Governor Control
3	4306075	1	Cable, Accelerator
● 4	111898	1	Clamp, Cable
● 5	403745	1	Screw, #10-24 x 5/8" Hex Head
6	3003773	7	Clamp, 1/4"
● 7	800521	1	Nut, #10-24 Hex
8	4306088	1	Pedal, Accelerator
● 9	554988	1	Pivot, Throttle
● 10	800706	2	Nut, 1/4-20 Crownlock Flange
● 11	831890	2	Screw, #8-32 x 3/8" Slotted Hex
● 12	831888	2	Swivel
13	306328	1	Cotter Pin, 3/32 x 3/4"
14	548045	1	Screw, 1/4-20 x 3/4" Hex Flange
15	4316347	1	Bracket, Throttle
16	4322626	1	Screw, M10-1.25 x 20 mm Hex Head
17	452390	1	Screw, M8-1.25 x 30 mm Hex Flange
● 18	4316352	1	Lever, Governor
19	364528	1	Spacer
● 20	835271	1	Nut, Governor Arm
21	400150	1	Nut, 5/16-18 Insert
● 22	4316354	1	Plate, Throttle
● 23	800934	1	Screw, M6-1 x 16 mm Hex Flange
● 24	450452	1	Nut, M6-1 Hex Flange
25	806714	1	Clevis Pin, 5/16 x 15/16"
● 26	840473	1	Spring, Extension
27	403751	6	Screw, 5/16-18 x 3/4" Hex Flange
28	548911	8	Nut, 5/16-18 Hex Flange
29	354080	1	Clamp, 1" Hose
30	403751	1	Screw, 5/16-18 x 3/4" Hex Flange
●	Diesel Speed Control Option Only		

SPRAYTEK XP

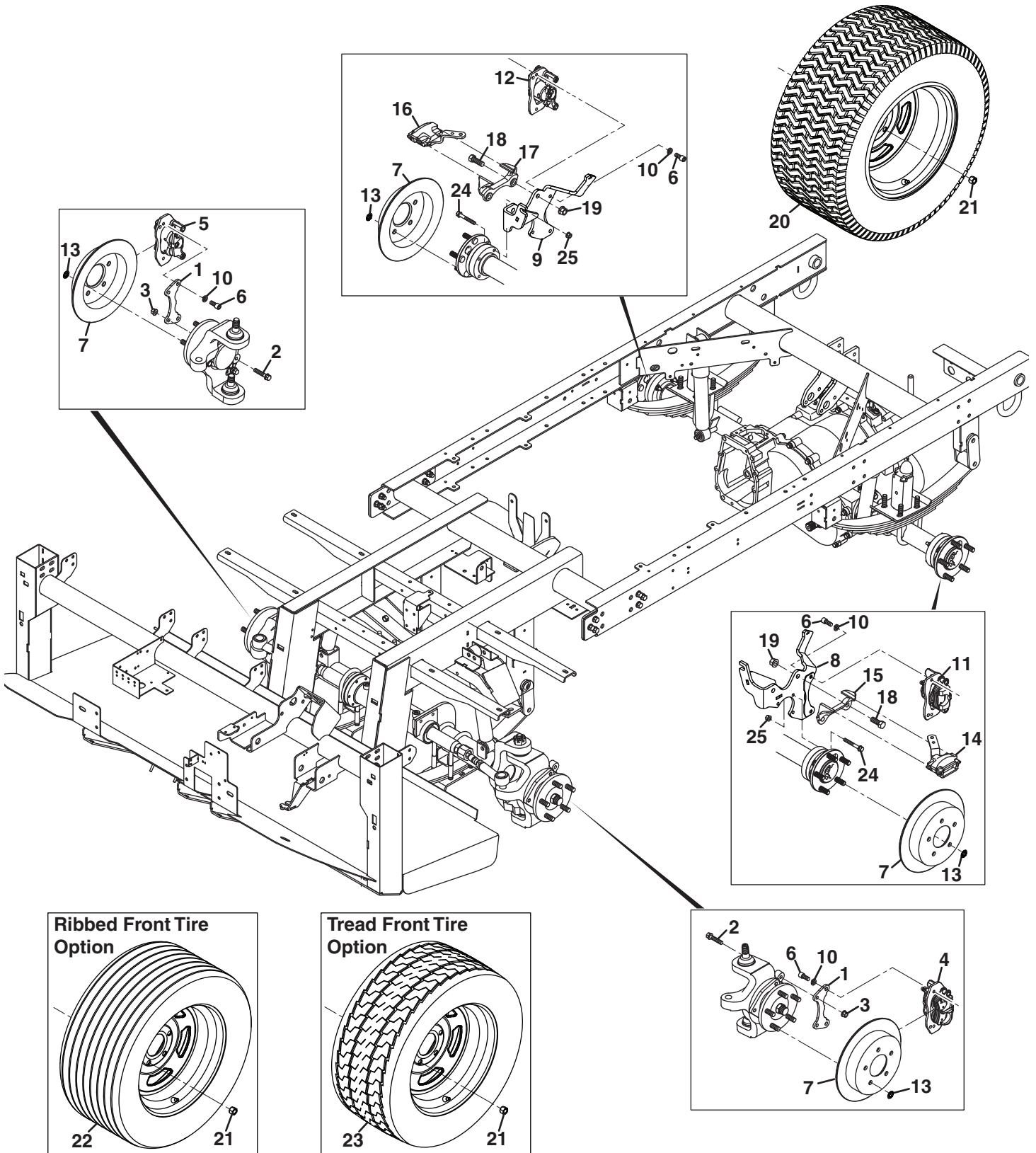
Brake and Clutch Pedals



Item	Part No.	Qty.	Description
1	4306679	1	Pedal, Brake
2	4317566	2	Bearing, Pivot
3	840725	2	Pin, Pivot
4	842935	2	Tab, Locking
5	403751	3	Screw, 5/16-18 x 3/4" Hex Flange
6	548911	4	Nut, 5/16-18 Hex Flange
7	810152	2	Pad, Pedal
8	4208074	1	Switch, Brake Pedal
9	403914J	4	Screw, #10-24 x 3/4" Truss Head
10	446116	4	Lockwasher, #10
11	444310	4	Nut, #10-24 Hex
12	4306676	1	Pedal, Clutch
13	4328207	1	Spring, Extension
14	4208074	1	Switch, Clutch Pedal
15	806714	1	Clevis Pin, 5/16 x 31/32"
16	453009	1	Flat Washer, 5/16
17	306328	3	Cotter Pin, 3/32 x 3/4"
18	4301838	1	Brake Master Cylinder
19	800715	2	Screw, 5/16-18 x 2-1/4" Hex Flange
20	453011	2	Flat Washer, 3/8

SPRAYTEK XP

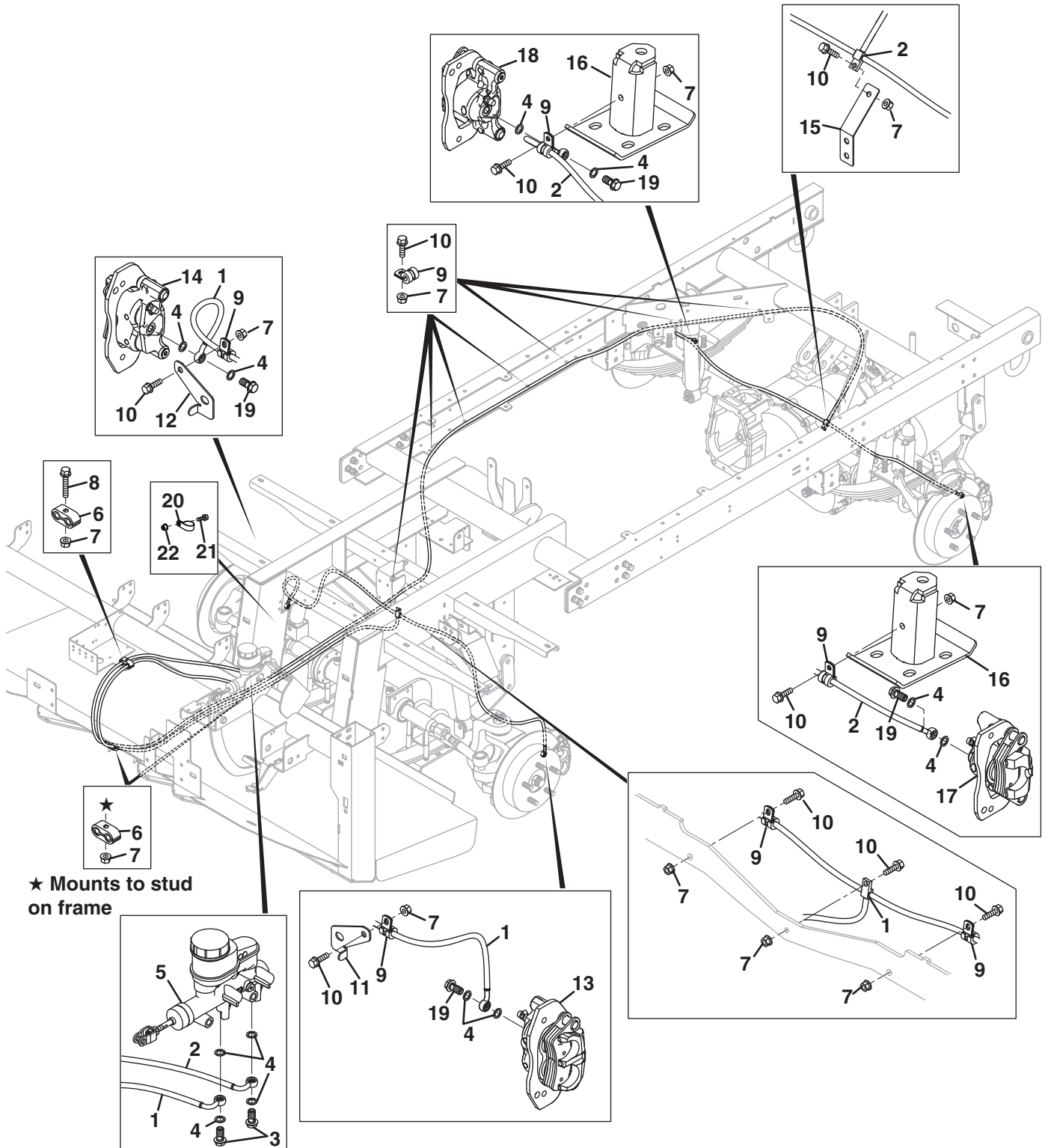
Brake Calipers and Wheels



Item	Part No.	Qty.	Description
1	4314147	2	Bracket, Brake Caliper
2	400078	4	Screw, 3/8-16 x 1-1/2" Hex Head
3	548804	4	Nut, 3/8-16 Whizlock Flange
4	4307716	1	Caliper, Left Front Dual Piston
5	4313706	1	Caliper, Right Front Dual Piston
6	400318	8	Screw, M10-1.25 x 20 mm Socket Head
7	4307718	4	Rotor
8	4324169	1	Bracket, Left Side Rear Caliper
9	4324167	1	Bracket, Right Side Front Caliper
10	363485	8	Lockwasher, M10 Heavy
11	4313707	1	Caliper, Left Rear Single Piston
12	4309515	1	Caliper, Right Rear Single Piston
13	4329530	4	Washer, 1/2" Push
14	4310731	1	Caliper, Driver Side Parking Brake
15	4317652	1	• Bracket, Caliper
16	4310746	1	Caliper, Passenger Side Parking Brake
17	4317652	1	• Bracket, Caliper
18	400406	4	Screw, 1/2-13 x 1-1/4" Hex Head
19	800379	4	Nut, 1/2-13 Hex Flange
20	671868	2	Rear Tire Assembly
	671863	1	• Tire, 26 x 12 - 14 6 Ply (Ultra Chevron Tread)
	4309644	1	• Wheel, 14 x 10
	360111	1	• Valve, Inflation
21	4317106	20	Nut, 1/2-20 Lug
22	671866	2	Front Ribbed Tire Assembly
	671861	1	• Tire, 23 x 10.5 - 14 6 Ply (Ribbed Tire)
	4309676	1	• Wheel, 14 x 8
	360111	1	• Valve, Inflation
23	671867	2	Front Treaded Tire Assembly
	671862	1	• Tire, 23 x 10.5 - 14 6 Ply (Gotrax Tire)
	4309676	1	• Wheel, 14 x 8
	360111	1	• Valve, Inflation

SPRAYTEK XP

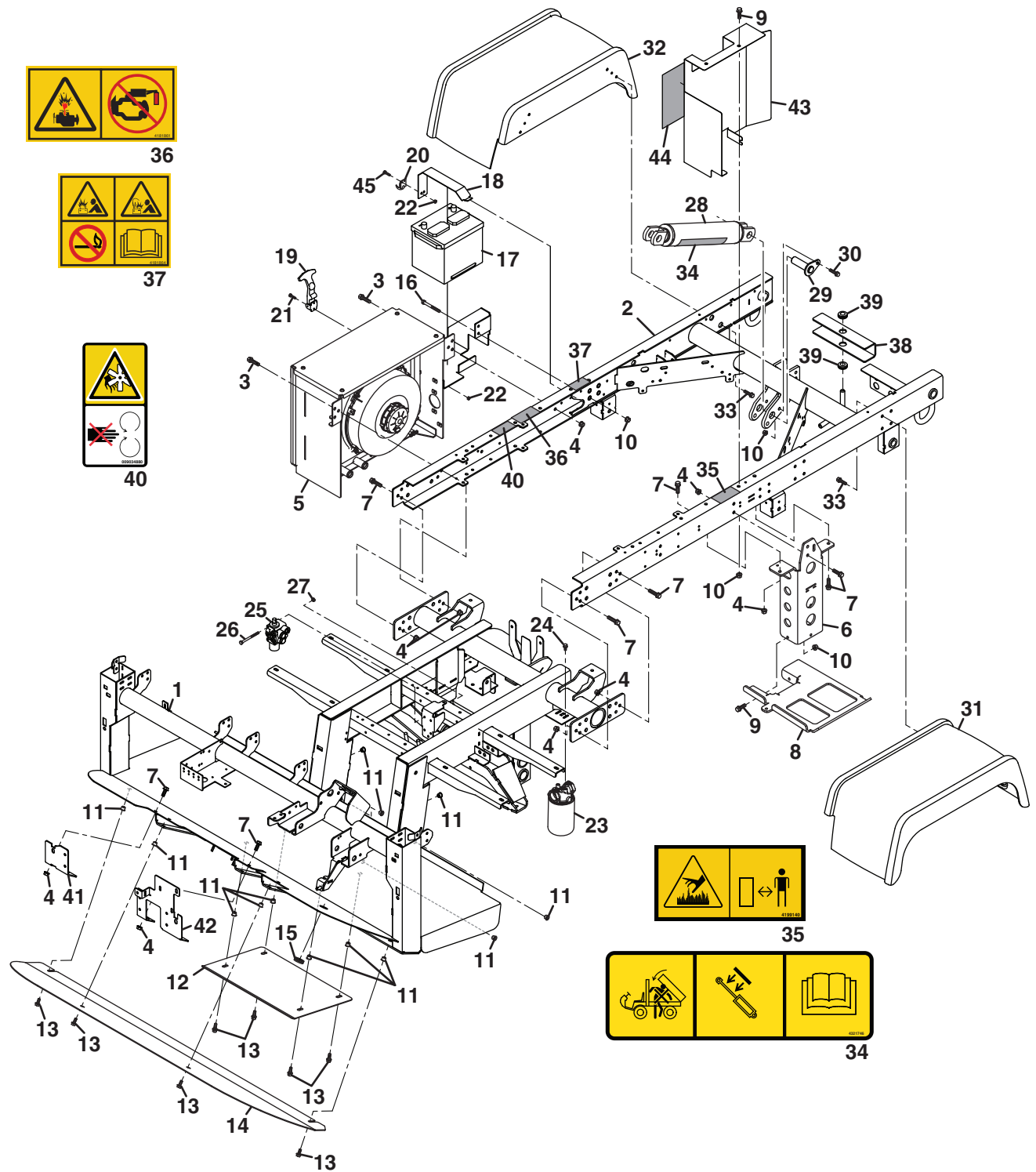
Brake Hose Routing



Item	Part No.	Qty.	Description
1	4306208	1	Hose, Front Brakes
2	4306456	1	Hose, Rear Brakes
3	4319206	2	Bolt, M10-1 Banjo
4	400154	12	Washer, Copper
5	4301838	1	Master Cylinder
6	4317492	3	Clamp, Double Hose
7	548910	18	Nut, 1/4-20 Hex Flange
8	800871	1	Screw, 1/4-20 x 1-1/4" Hex Flange
9	48228-04	13	Clip, 5/16" Cable
10	548045	15	Screw, 1/4-20 x 3/4" Hex Flange
11	4318187	1	Bracket, Left Side Hose Clamp
12	4318186	1	Bracket, Right Side Hose Clamp
13	4307716	1	Caliper, Left Front Dual Piston
14	4313706	1	Caliper, Right Front Dual Piston
15	4318806	1	Bracket, Brake Line Tee
16	4389135	2	Stop, Rear Suspension
17	4313707	1	Caliper, Left Rear Single Piston
18	4309515	1	Caliper, Right Rear Single Piston
19	4319206	4	Bolt, M10-1.25 Banjo
20	354080	1	Clamp, 1" Hose
21	403751	1	Screw, 5/16-18 x 3/4" Hex Flange
22	400150	1	Nut, 5/16-18 Insert

SPRAYTEK XP

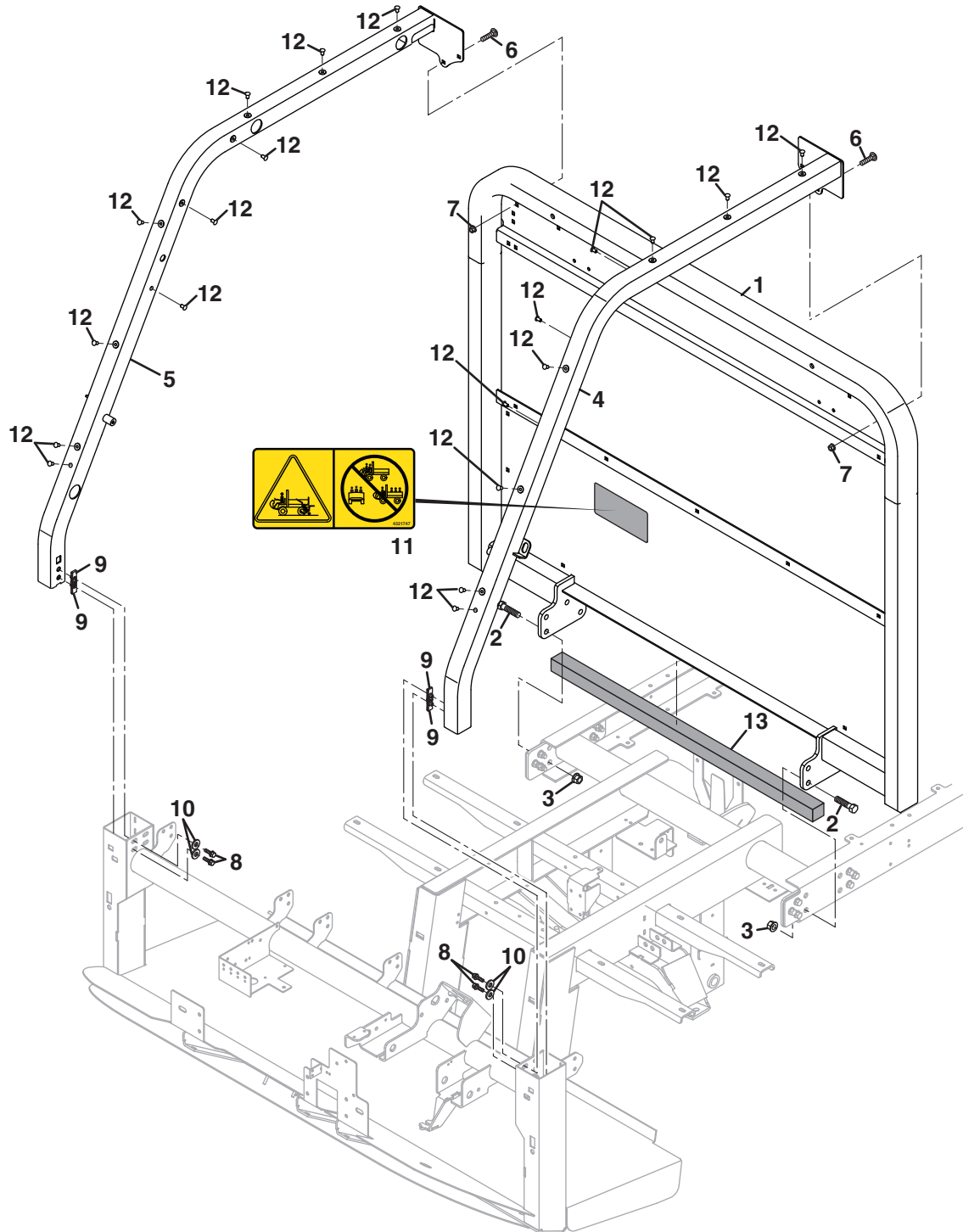
Frame



Item	Part No.	Qty.	Description
1	4349167	1	Frame, Front
2	4349208	1	Frame, Rear
3	548907	9	Screw, 3/8-16 x 1-1/4" Hex Flange
4	548804	22	Nut, 3/8-16 Whizlock
5	REF	1	Radiator Assembly
6	4320827	1	Mount, Fuel Tank (Diesel Engine Only)
6	4319006	1	Mount, Fuel Tank (Gas Engine Only)
7	548905	17	Screw, 3/8-16 x 1" Hex Flange
8	4314268	1	Bracket, Fuel Tank
9	800710	5	Screw, 5/16-18 x 1" Hex Flange
10	548911	7	Nut, 5/16-18 Hex Flange
11	400150	13	Nut, 5/16-18 Insert
12	4304975	1	Skid Plate, Lower
13	403751	8	Screw, 5/16-18 x 3/4" Hex Flange
14	4304337	1	Skid Plate, Upper
15	813997	1	Grommet, 7/8 x 1-3/8 x 3/8"
16	400200J	2	Screw, 5/16-18 x 2-1/2" Hex Head
17	N/S	1	Battery, 12V
18	4305939	1	Brace, Battery Tray
19	1004686	1	Latch, Flexible
20	N/S	1	• Keeper, Latch
21	403914J	2	Screw, #10-24 x 3/4" Truss Head
22	444310	4	Nut, #10-24 Hex
23	4274293	1	Filter, Return
	885249	1	• Cartridge, Filter
24	403753	2	Screw, 1/4-20 x 1/2" Hex Flange
25	886270	1	Valve, Lift
	884599	1	• Seal Kit
26	400132	4	Screw, 1/4-20 x 2-3/4" Hex Head
27	445794	4	Locknut, 1/4-20 Hex Center
28	4314366	1	Cylinder, Accessory
	4329200	1	• Seal Kit
29	4279250	1	Pin, Cylinder
30	548902	1	Screw, 5/16-18 x 1" Hex Flange
31	671865	1	Fender, Left Rear
32	671864	1	Fender, Right Rear
33	548045	8	Screw, 1/4-20 X 3/4" Hex Flange
34	4321746	1	Decal, Piston Warning
35	4199140	1	Decal, Heat Warning
36	4181861	1	Decal, Start Fluids
37	4181864	1	Decal, Battery
38	4310766	1	Support, Lift Cylinder
39	4207480	2	Grommet, Rubber
40	009034880	1	Decal, Fan Warning
41	4331988	1	Bracket, Right Side Bumper
42	4331989	1	Bracket, Left Side Bumper
43	4324366	1	Shield, Gas Exhaust (Gas Engine Only)
44	4336326	1	Shield, Adhesive Heat (Gas Engine Only)
45	403908	2	Screw, #10-24 x 3/8" Truss Head

SPRAYTEK XP

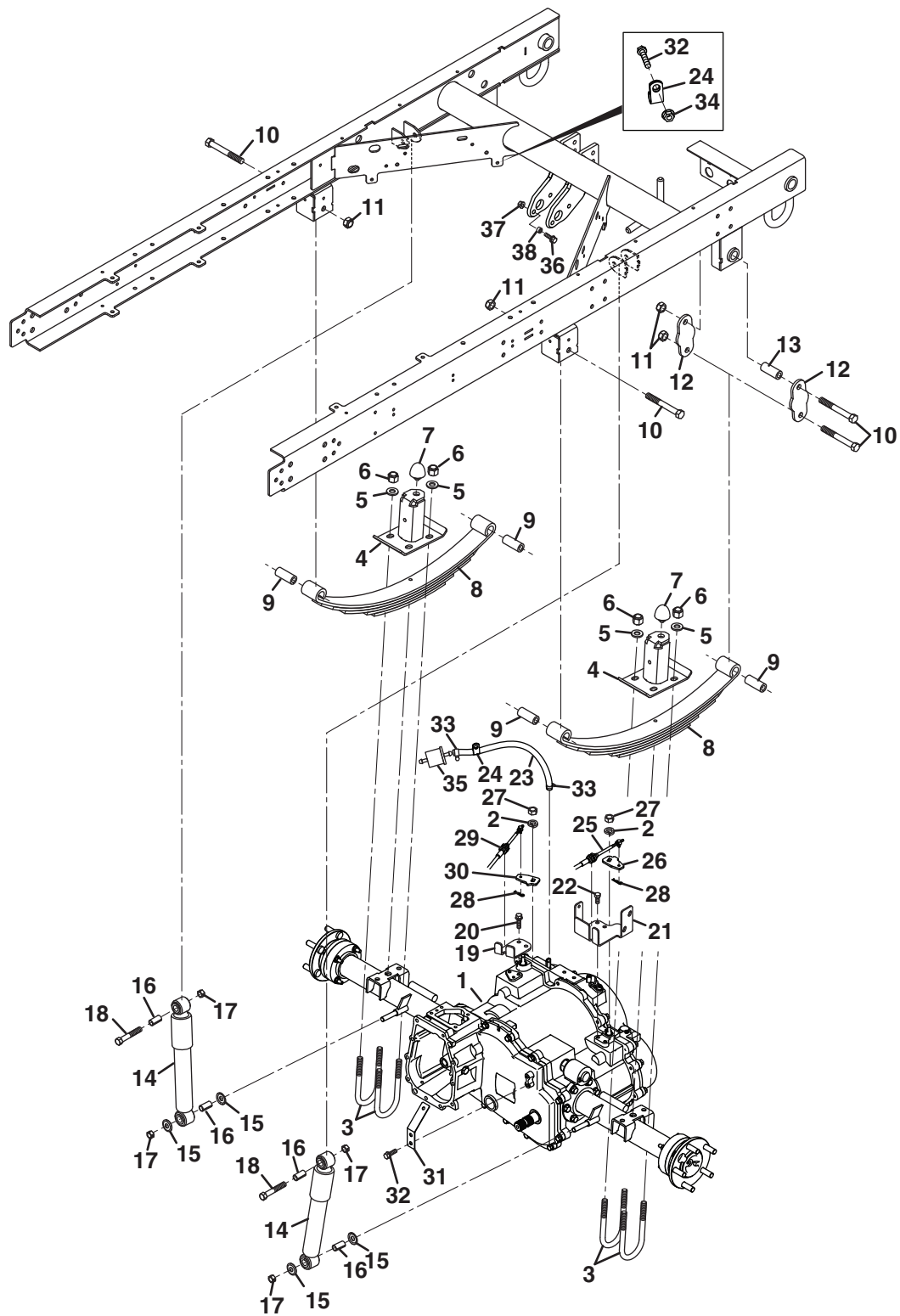
ROPS



Item	Part No.	Qty.	Description
1	4294692	1	ROPS, 2 Post
2	400411	8	Screw, 1/2-13 x 1-3/4" Hex Grade 8
3	800379	8	Nut, 1/2-13 Hex Flange
4	4319026	1	Post, Driver Side ROPS (4 Post ROPS Only)
5	4319027	1	Post, Passenger Side ROPS (4 Post ROPS Only)
6	441602	4	Carriage Bolt, 1/4-20 x 3/4" (4 Post ROPS Only)
7	548911	4	Nut, 5/16-18 Hex Flange (4 Post ROPS Only)
8	548045	4	Screw, 1/4-20 x 3/4" Hex Flange (4 Post ROPS Only)
9	4315646	4	Nut, 1/4-20 U-Type (4 Post ROPS Only)
10	453023	4	Flat Washer, 1/4 (4 Post ROPS Only)
11	4321747	1	Decal, Capacity Warning
12	4331767	20	Plug, 5/16 x 1/2" Fir Tree
13	4138359	AR	Foam, 36" Lg

SPRAYTEK XP

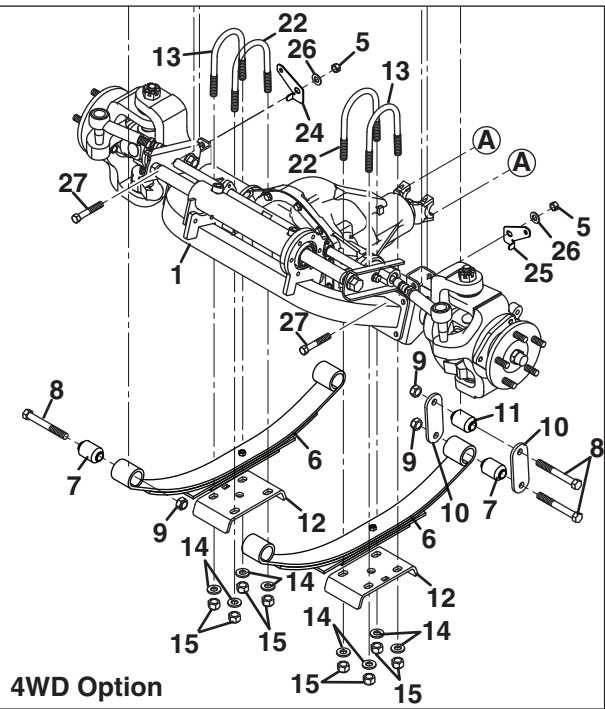
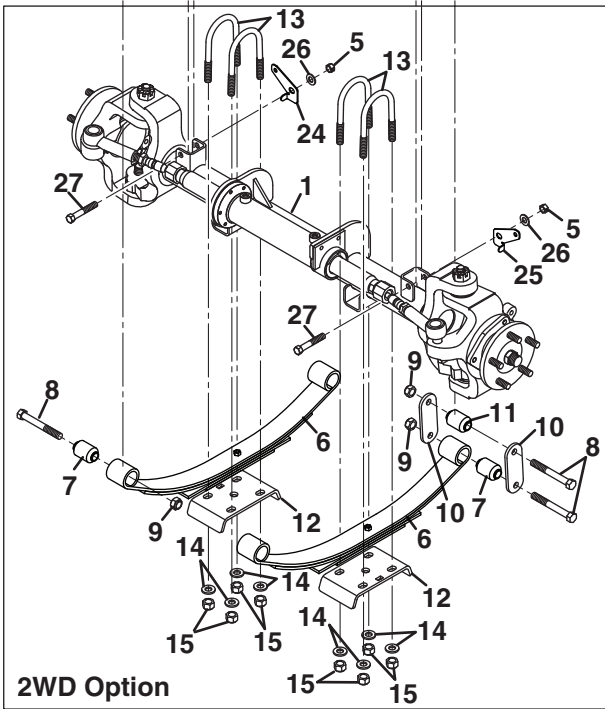
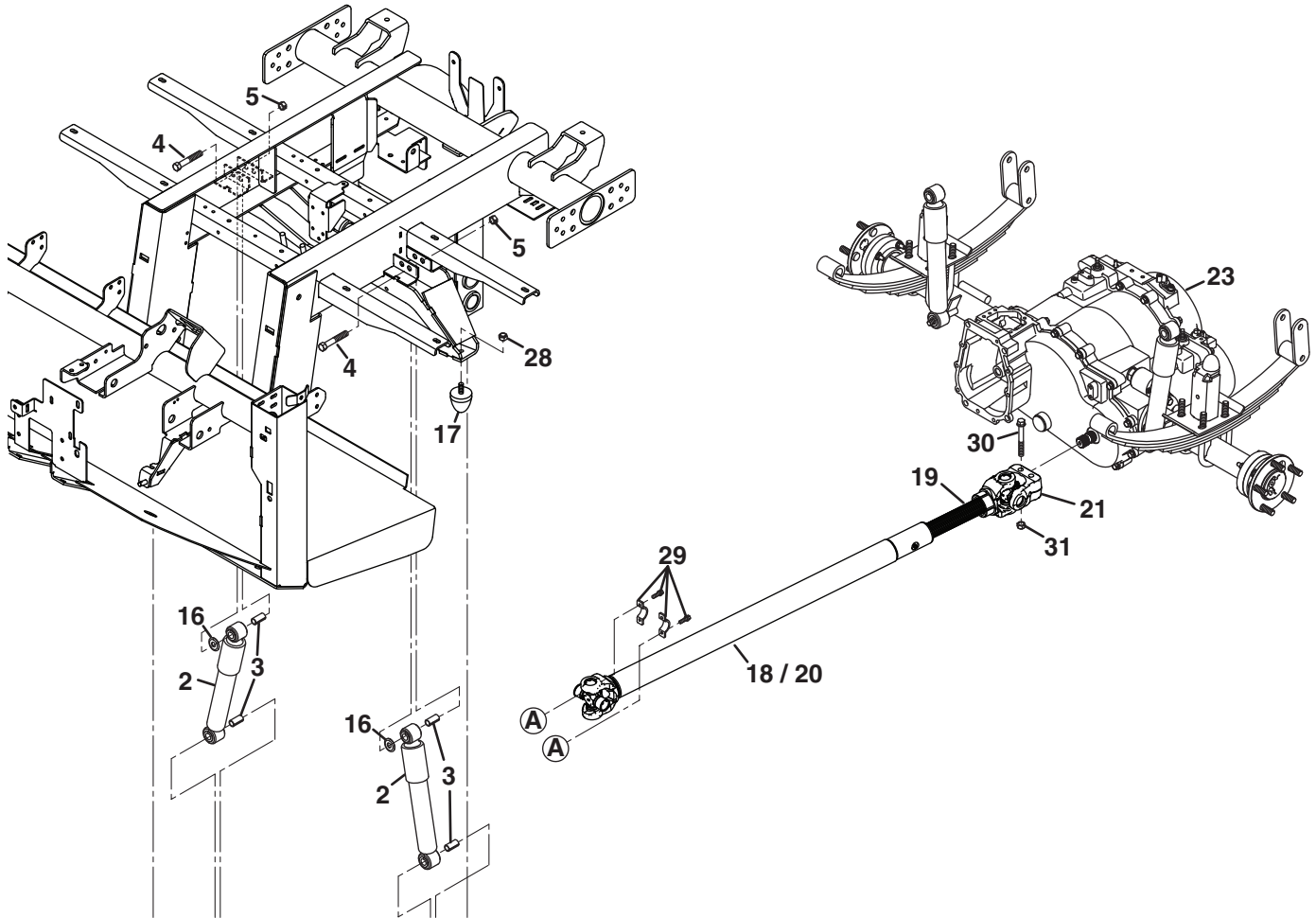
Rear Axle



Item	Part No.	Qty.	Description
1	4395475	1	Rear Axle, 2WD
1	4395476	1	Rear Axle, 4WD
2	450424	2	Lockwasher, M12
3	4389134	4	U-Bolt, 2.88 ID x 5.81" x 1/2-20
4	4389135	2	Stop, Rear Suspension
5	453017	8	Flat Washer, 1/2
6	445667	8	Nut, 1/2-20 Elastic Stop Hex
7	813850	2	Bumper, Travel Limiting
8	4349129	2	Spring, Rear Leaf
9	4329786	2	• Bushing, Steel Sleeve Rubber
10	400626	6	Screw, 5/8-11 x 3-1/2" Hex Head
11	4330109	6	Nut, 5/8-11 Crownlock Hex
12	4329666	4	Shackle, Leaf Spring
13	4329786	2	Bushing, Steel Sleeve Rubber
14	4316627	2	Shock, Rear Axle
15	825500	4	Washer, 7/16 Cupped
16	823621	4	Bushing
17	800294	4	Locknut, 7/16-14 Hex Center
18	311396	2	Screw, 7/16-14 x 2-1/4" Hex Head
19	4316306	1	Bracket, Hi-Lo Cable
20	548971	2	Screw, 5/16-18 x 5/8" Hex Flange
21	4316526	1	Bracket, 2WD/4WD Cable/Exhaust (Diesel Engine Only)
21	4325447	1	Bracket, 2WD/4WD Cable/Exhaust (Gas Engine Only)
22	548901	2	Screw, 5/16-18 x 1/2" Hex Flange
23	4218620	AR	Hose, 6.4 mm I.D. Fuel
24	345666	1	Clamp, 1/2" Hose
25	4316308	1	Cable, Control (4WD Only)
26	4316307	1	Plate, Shift (4WD Only)
27	800875	1	Nut, M12-1.25 Hex (2WD Only)
27	800875	2	Nut, M12-1.25 Hex Flange (4WD Only)
28	821164	1	Hair Pin, 1/4 x 1-1/8 x 1/16" (2WD Only)
28	821164	2	Hair Pin, 1/4 x 1-1/8 x 1/16" (4WD Only)
29	4316308	1	Cable, Hi-Lo Control
30	4318767	1	Plate, Hi-Lo Shift
31	4318806	1	Bracket, Brake Line Tee
32	403751	3	Screw, 5/16-18 x 3/4" Hex Flange
33	48540-01	2	Hose Clamp
34	548911	1	Nut, 5/16-18 Hex Flange
35	5001182	1	Filter, Breather
36	548907	2	Screw, 3/8-16 x 1-1/4" Hex Flange
37	548804	2	Nut, 3/8-16 Whizlock
38	4367074	2	Stop, Cylinder

SPRAYTEK XP

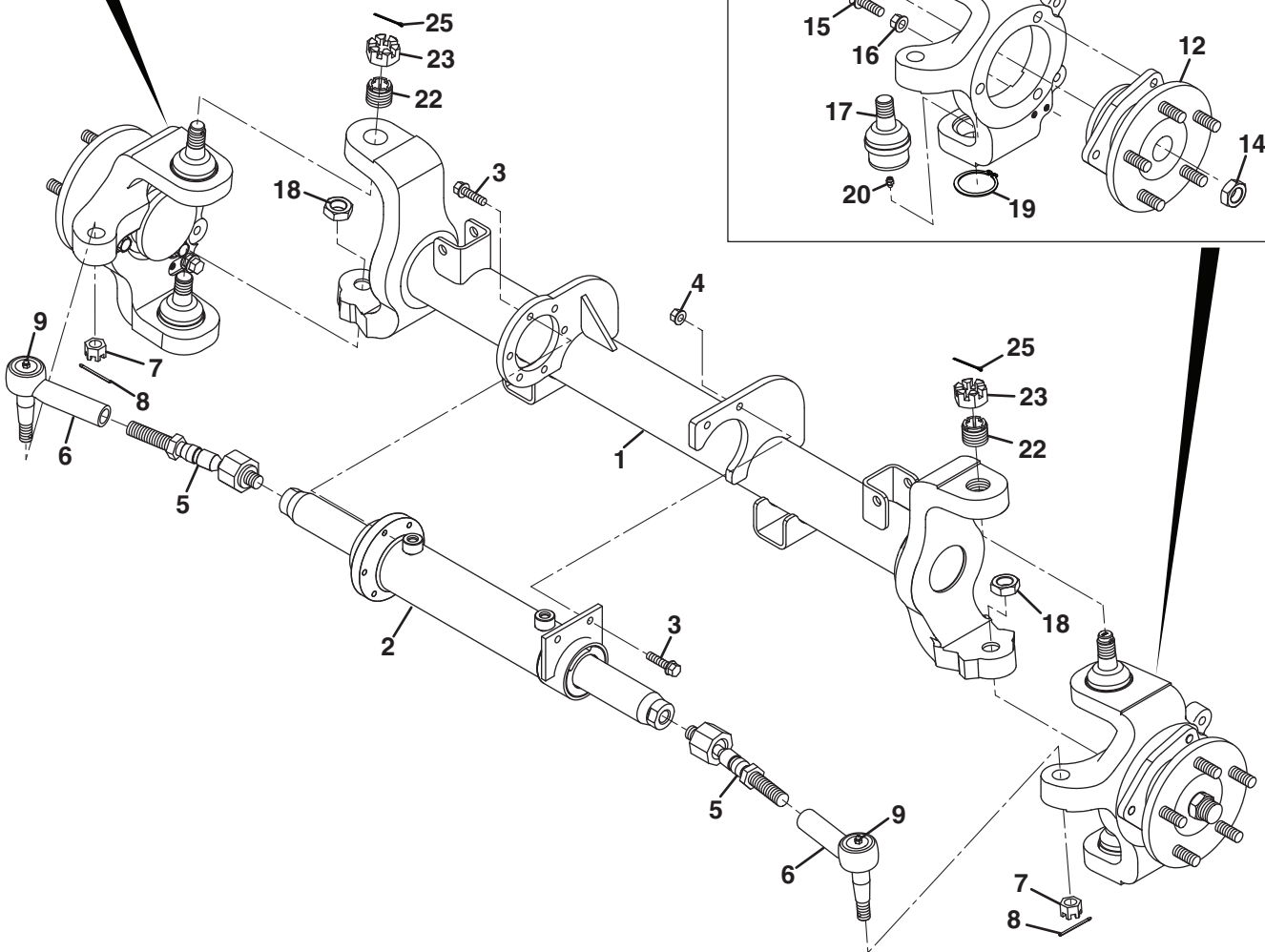
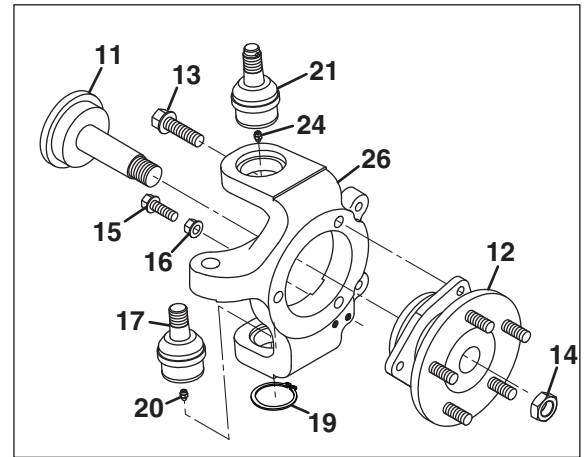
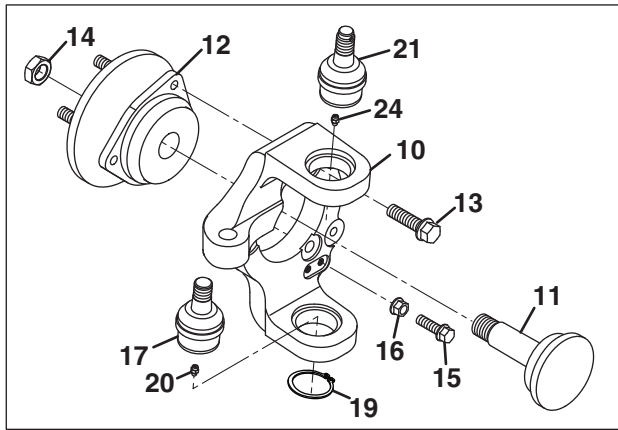
Front Axle Assembly



Item	Part No.	Qty.	Description
1	REF	1	Front Axle (2WD)
1	REF	1	Front Axle (4WD)
2	4316626	2	Shock, Front Axle
3	823621	4	Bushing
4	311396	2	Screw, 7/16-14 x 2-1/4" Hex Head
5	800294	4	Locknut, 7/16-14 Hex Center
6	4330100	2	Spring, Front Leaf
7	4329786	2	• Bushing, Steel Sleeve Rubber
8	400626	6	Screw, 5/8-11 x 3-1/2" Hex Head
9	4330109	6	Nut, 5/8-11 Crownlock Hex
10	4329666	4	Shackle, Leaf Spring
11	4329786	2	Bushing, Steel Sleeve Rubber
12	4316888	2	Mount, 2WD Leaf Spring
12	4317909	2	Mount, 4WD Leaf Spring
13	4329808	4	U-Bolt, 2-3/4 x 5-3/4" x 1/2-20 (2WD Only)
13	4329808	2	U-Bolt, 2-3/4 x 5-3/4" x 1/2-20 (4WD Only)
14	453017	8	Flat Washer, 1/2
15	445667	8	Nut, 1/2-20 Elastic Stop Hex
16	825500	2	Washer, 7/16 Cupped
17	4345666	2	Bumper
18	4305440	1	Driveshaft, 4WD
	4323786	2	• Kit, Cross and Bearing
19	4323787	1	• Splined Shaft with U-Joint
20	4323790	1	• Driveshaft, 2-1/8" Diameter
21	4323791	1	• U-Joint, 1310E
22	4329810	2	U-Bolt, 3-1/4 x 6" x 1/2-20
23	REF	1	Rear Axle
24	4318187	1	Bracket, Left Side Hose Clamp
25	4318186	1	Bracket, Right Side Hose Clamp
26	453013	2	Flat Washer, 7/16"
27	400352	2	Screw, 7/16-14 x 2-3/4" Hex Head
28	452437	2	Nut, M10-1.5 Nylon Insert
29	4319288	1	Kit, 1310 Strap (4WD Only)
30	452404	2	Screw, M10-1.5 x 70 mm Hex Flange (4WD Only)
31	452437	2	Nut, M10-1.5 Nylon Insert (4WD Only)

SPRAYTEK XP

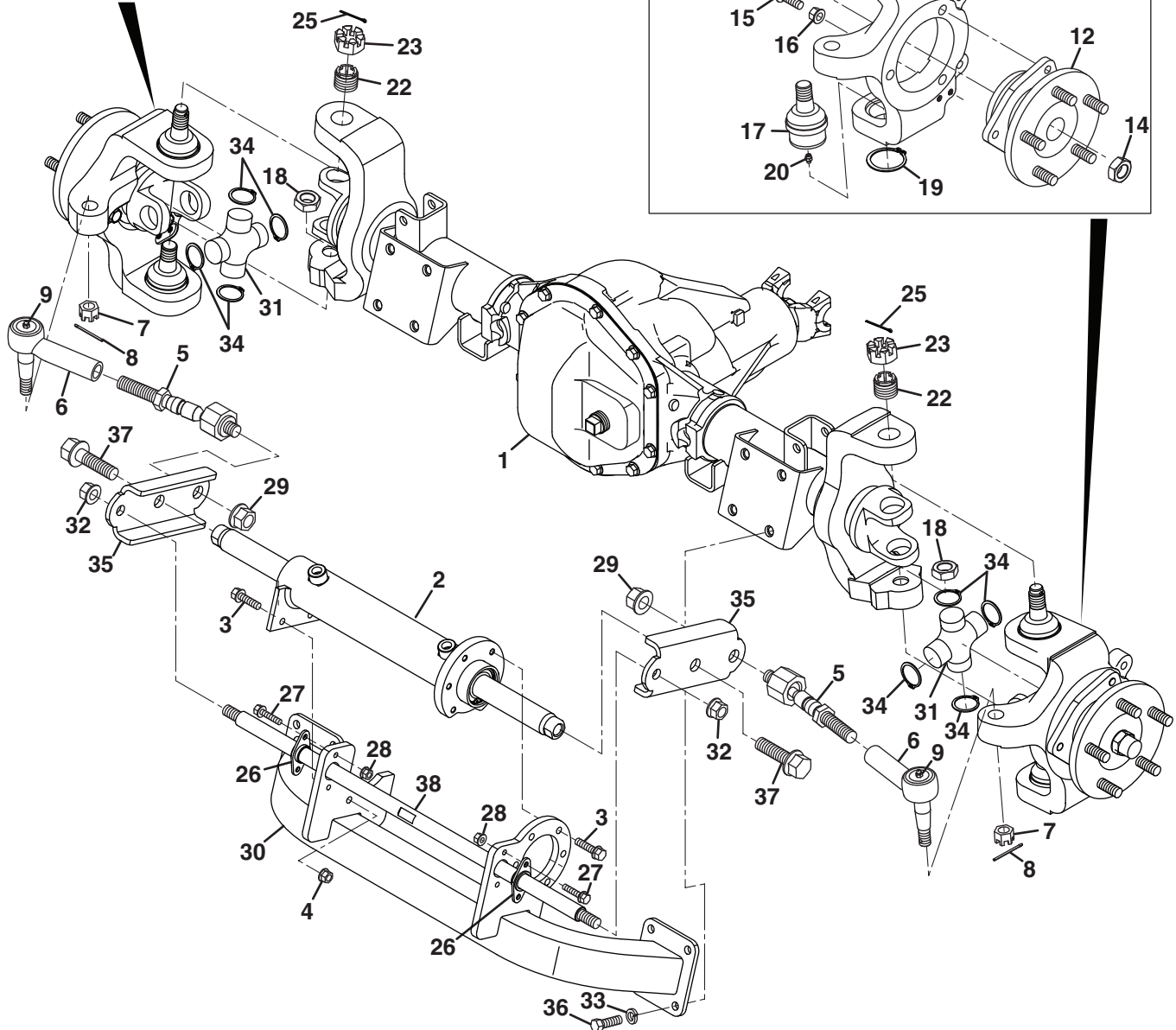
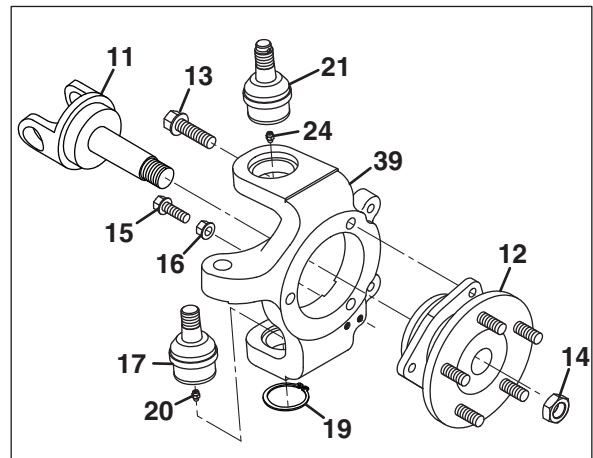
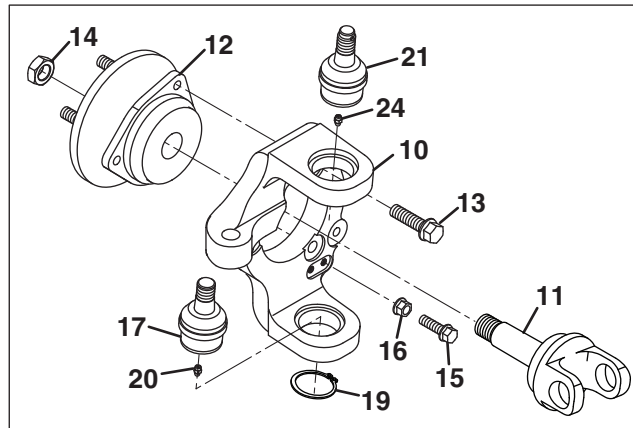
2WD Front Axle



Item	Part No.	Qty.	Description
1	4358446	1	Tube, 2WD Front Axle
2	4303015	1	Cylinder, 2WD Steering
	4329207	1	• Seal Kit
3	548902	8	Screw, 5/16-18 x 1" Hex Flange
4	548911	2	Nut, 5/16-18 Hex Flange
	4316154	2	Assembly, Tie Rod (Includes Items 5 - 9)
5	4316155	2	• Rod, Axial
6	4316156	2	• Ball Joint, Tie Rod
7	4331847	1	• Nut, M14-1.5 Slotted Hex
8	460016	1	• Cotter Pin, 3/32 x 1"
9	548224	1	• Grease Fitting, 1/4 Straight
10	4316692	1	Knuckle, Right Side Steering
11	4317606	2	Shaft, 2WD Front Axle
12	4312789	2	Hub, Wheel
13	4317651	6	Screw, M12-1.75 x 40 mm Hex Head
14	4317626	2	Nut, M24-1.5 Hex Flange
15	800709	2	Screw, 3/8-16 x 1" Hex Flange
16	548804	2	Nut, 3/8-16 Hex
17	4312790	2	Ball Joint, Lower (Includes Items 18 - 20)
18	N/S	1	• Nut, Hex
19	548329	1	• Retaining Ring
20	548224	1	• Grease Fitting, 1/4 Straight
21	4313710	2	Ball Joint, Upper (Includes Items 22 - 25)
22	4325289	1	• Insert, Threaded
23	4325290	1	• Nut, 3/4-16 Slotted Hex
24	471227	1	• Grease Fitting, Straight
25	460030	1	• Cotter Pin, 1/8 x 1-1/4"
26	4312906	1	Knuckle, Left Side Steering

SPRAYTEK XP

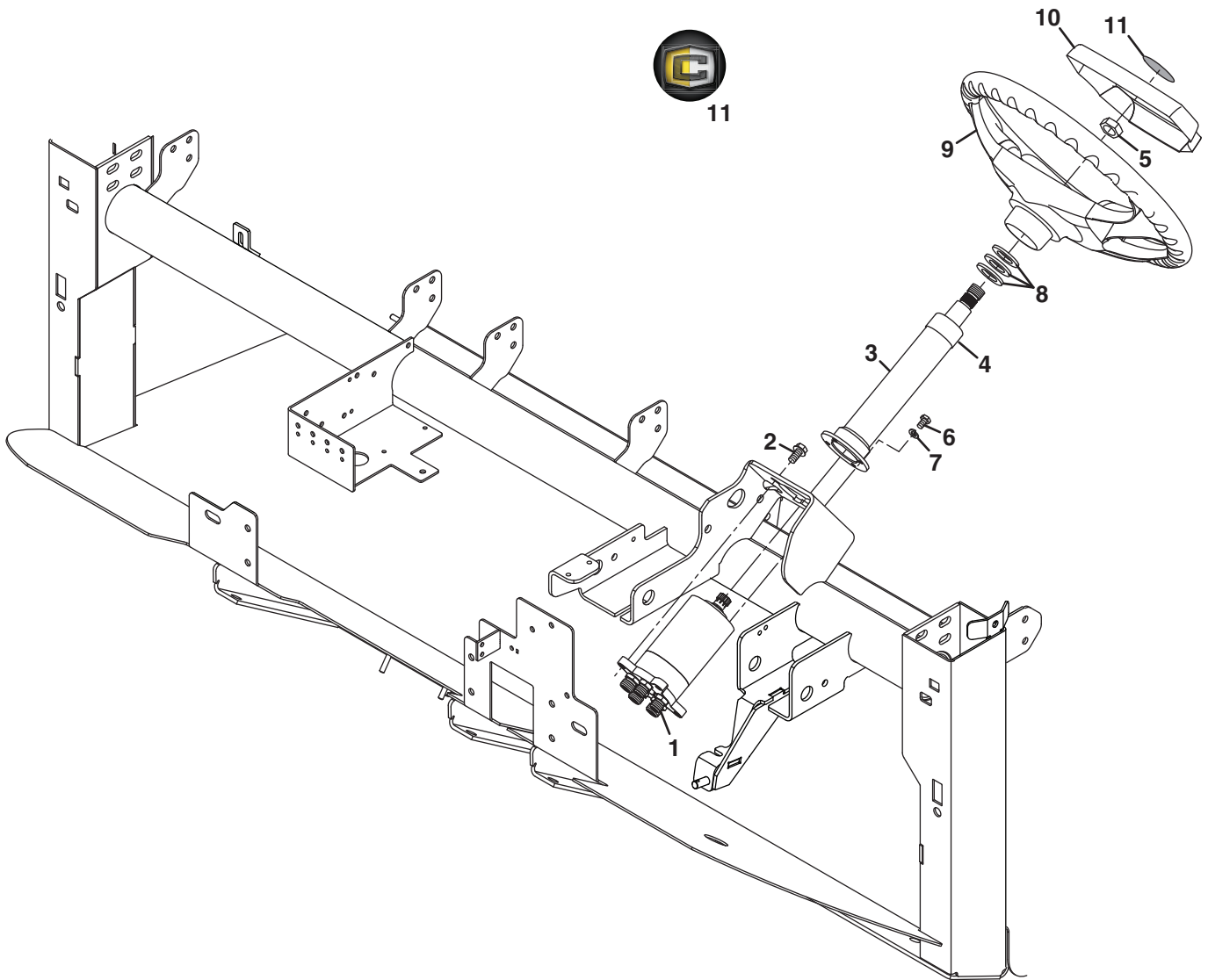
4WD Front Axle



Item	Part No.	Qty.	Description
1	N/S	1	4WD Front Axle
2	4316270	1	Cylinder, 4WD Steering
	4329207	1	• Seal Kit
3	548902	8	Screw, 5/16-18 x 1" Hex Flange
4	548911	2	Nut, 5/16-18 Hex Flange
5	4316155	2	Rod, Axial
6	4316156	2	Ball Joint, Tie Rod (Includes Items 7 - 9)
7	4331847	1	• Nut, M14-1.5 Slotted Hex
8	460016	1	• Cotter Pin, 3/32 x 1"
9	548224	1	• Grease Fitting, 1/4 Straight
10	4316692	1	Knuckle, Right Side Steering
11	4321248	2	Stub, Axle Shaft
12	4312789	2	Hub, Wheel
13	4317651	6	Screw, M12-1.75 x 40 mm Hex Head
14	4317626	2	Locknut, M24 x 1.5 Hex Flange
15	800709	2	Screw, 3/8-16 x 1" Hex Flange
16	548804	2	Nut, 3/8-16 Hex
17	4312790	2	Ball Joint, Lower (Includes Items 18 - 20)
18	N/S	1	• Nut, Hex
19	548329	1	• Retaining Ring
20	548224	1	• Grease Fitting, 1/4 Straight
21	4313710	2	Ball Joint, Upper (Includes Items 22 - 25)
22	4325289	1	• Insert, Threaded
23	4325290	1	• Nut, 3/4-16 Slotted Hex
24	471217	1	• Grease Fitting, Straight
25	460030	1	• Cotter Pin, 1/8 x 1-1/4"
26	4317715	2	Bearing, 3/4" Shaft Flanged
27	548898	4	Screw, 1/4-20 x 1" Hex Flange
28	800706	4	Locknut, 1/4-20 Flange Crown
29	400320	2	Nut, M16-1.5 Hex Flange
30	4317069	1	Mount, 4WD Steering
31	4321249	2	U-Joint Cross and Bearing
32	800379	2	Nut, 1/2-13 Hex Flange
33	446142	8	Lockwasher, 3/8 Heavy
34	4321379	8	Clip, U-Joint
35	4306175	2	Plate, 4WD Steering
36	400262	8	Screw, 3/8-16 x 1" Hex Head
37	400152	2	Screw, M16-1.5 x 45 mm Hex Flange
38	4306157	1	Rod, 4WD Steering Support
39	4312906	1	Knuckle, Left Side Steering

SPRAYTEK XP

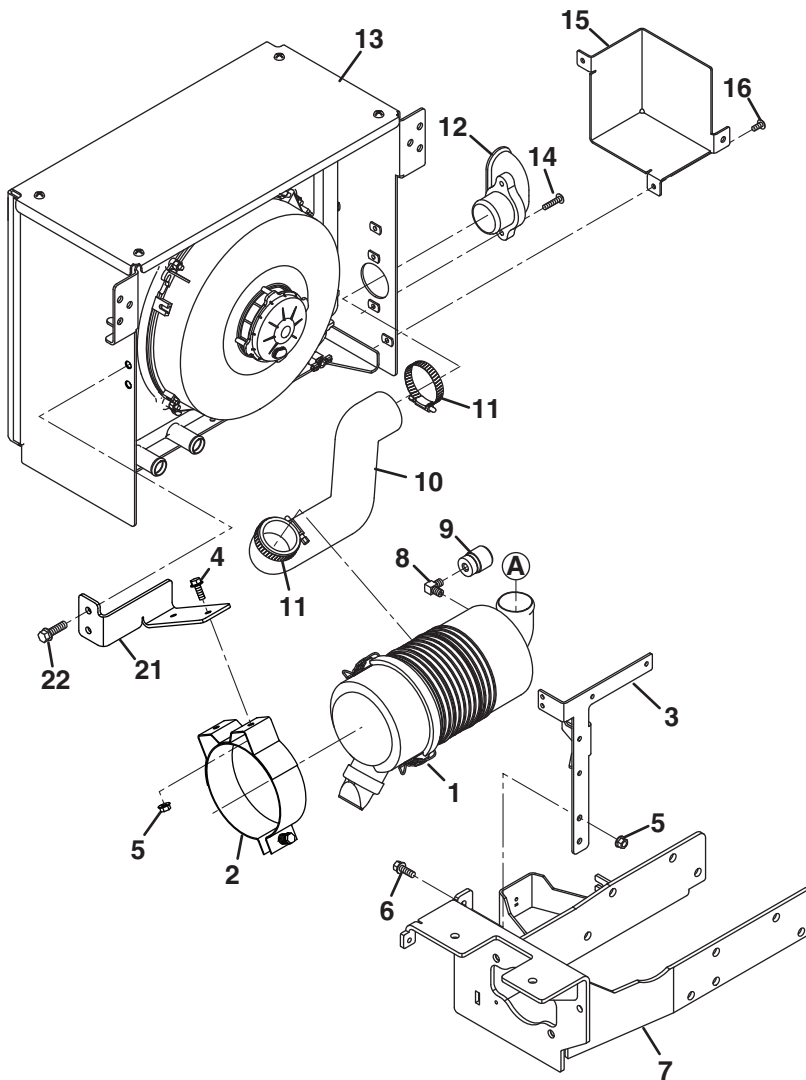
Steering Column



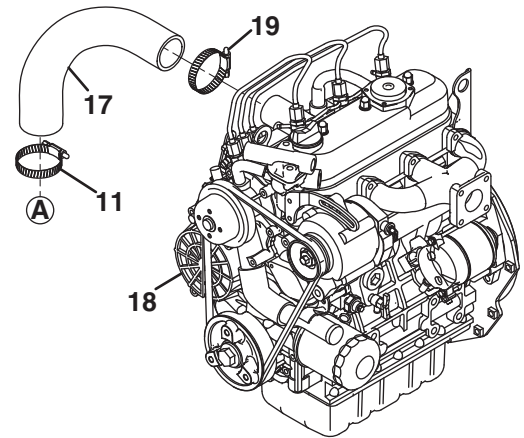
Item	Part No.	Qty.	Description
1	4303996	1	Valve, Steering
	4197940	1	• Seal Kit
	339909	3	• O-Ring, -6 ORFS
	339908	2	• O-Ring, -4 ORFS
2	450471	4	Screw, M8-1.25 x 20 mm Hex Flange
3	4210420	1	Shaft, Steering (Includes Items 4 - 5)
4	4201840	1	• Seal
5	443828	1	• Nut, 5/8-18 Hex Jam
6	450168	4	Screw, M6-1 x 12 mm Hex Head
7	450410	4	Lockwasher, M6
8	2811547	3	Flat Washer
9	4310966	1	Wheel, Steering
10	4319207	1	• Cover, Steering Wheel
11	618086	1	Decal, Cushman Steering Wheel

SPRAYTEK XP

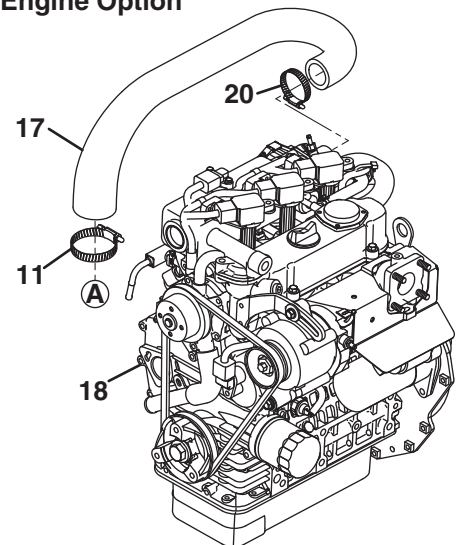
Air Filter



Diesel Engine Option



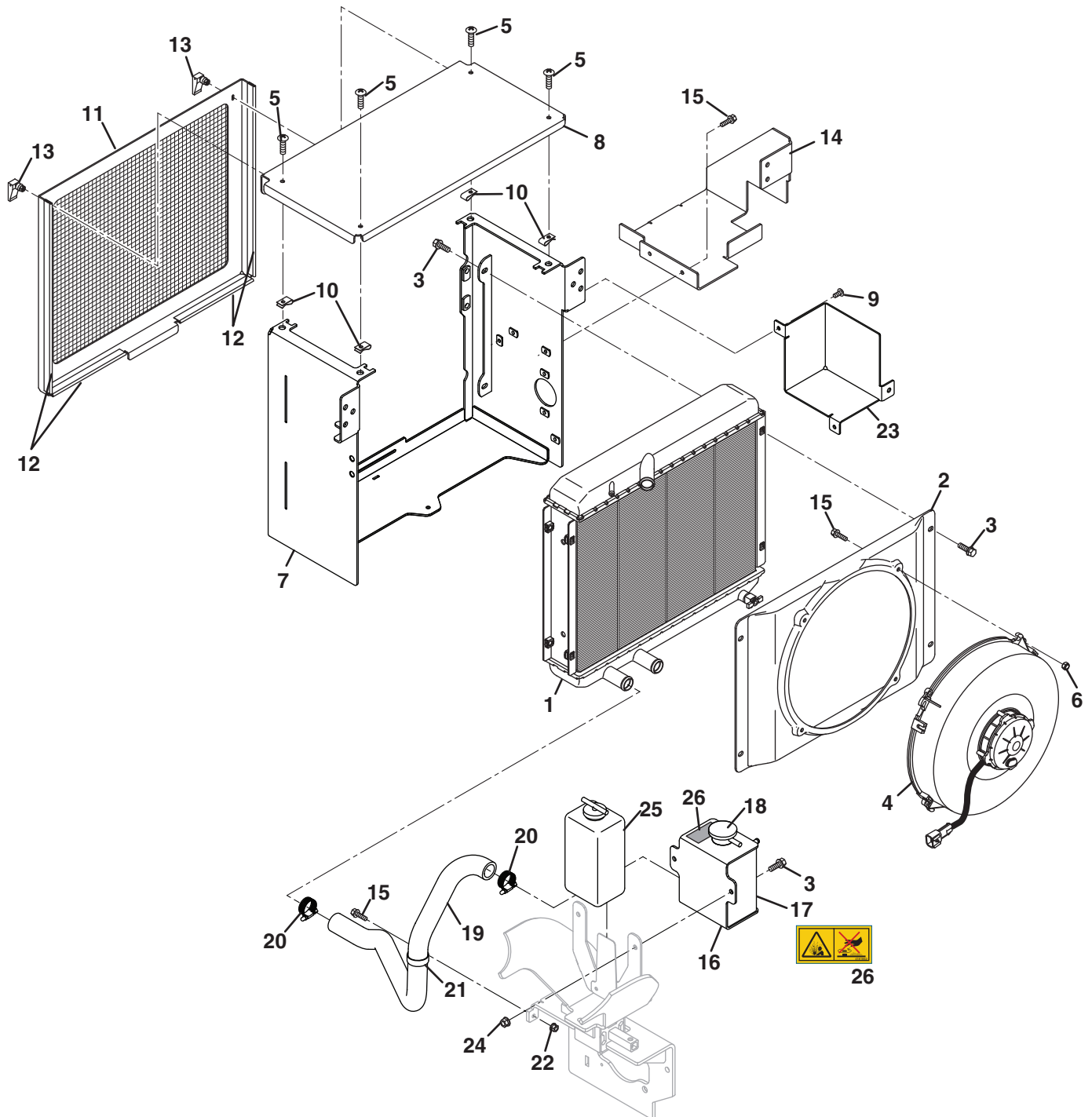
Gas Engine Option



Item	Part No.	Qty.	Description
1	3001965	1	Air Filter
	5000919	1	• Element, Filter
	5000920	1	• Cover, Filter
	5000921	1	• Valve, Vactuato
2	3001388	1	Bracket, Air Filter
3	4307842	1	Bracket, Throttle Cable
4	400025	2	Screw, 5/16-18 x 7/8" Hex Flange
5	548911	3	Nut, 5/16-18 Hex Flange
6	403571	1	Screw, 5/16-18 x 3/4" Hex Flange
7	4307840	1	Mount, Diesel Engine
7	4307841	1	Mount, Gas Engine
8	3002195	1	Fitting, 1/8 NPT 90°
9	365398	1	Indicator, Service
10	4315008	1	Hose, Air Filter Intake
11	359615	3	Clamp, 1-1/8 - 3" Hose
12	4316047	1	Scoop, Air Intake
13	REF	1	Radiator Assembly
14	404022	2	Screw, 1/4-20 x 1" Truss Head
15	4316127	1	Shield, Air Intake
16	404014	2	Screw, 1/4-20 x 1/2" Truss Head
17	4315007	1	Hose, Diesel Engine Air Intake
17	4315006	1	Hose, Gas Engine Air Intake
18	4293417	1	Diesel Engine, Kubota D1105-E4B
18	REF	1	Gas Engine, Kubota WG972 EFI
19	326799	1	Clamp, 1-9/16 - 2-1/2" Hose (Diesel Engine Only)
20	4319953	1	Clamp, 1-1/16 - 2" Hose (Gas Engine Only)
21	4327326	1	Bracket, Air Filter
22	548905	2	Screw, 3/8-16 x 1" Hex Flange

SPRAYTEK XP

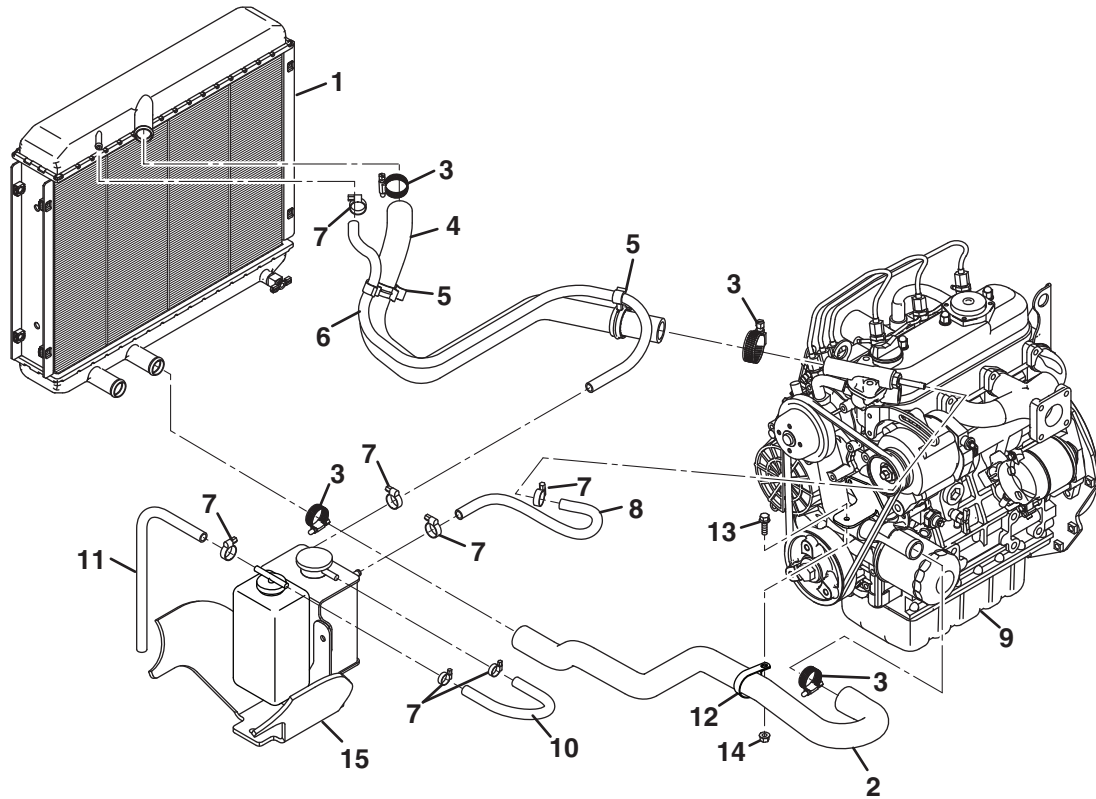
Radiator



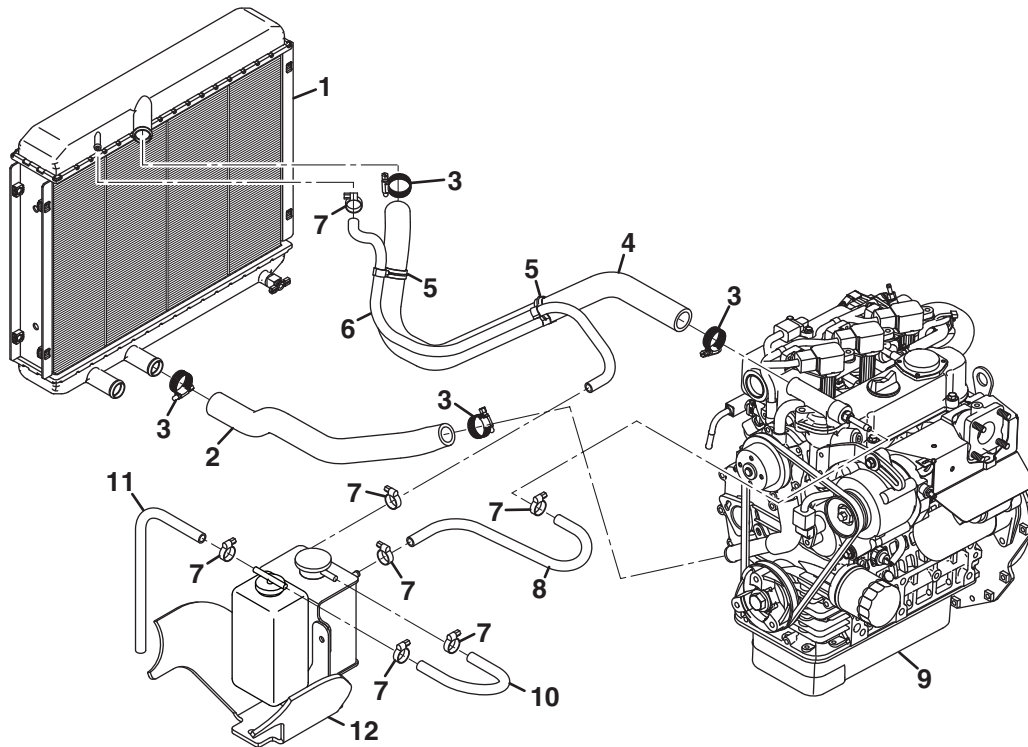
Item	Part No.	Qty.	Description
1	4315435	1	Radiator
2	4313106	1	Shroud, Fan
3	403770	10	Screw, 5/16-18 x 3/4" Hex Flange
4	4315426	1	Fan, 12" Puller
5	800582	4	Screw, 1/4-20 x 3/4" Truss Head
6	445770	4	Nut, 1/4-20 Nylon Insert Hex
7	4315436	1	Frame, Radiator Enclosure
8	4315439	1	Cover, Radiator Enclosure
9	404014	2	Screw, 1/4-20 x 1/2" Truss Head
10	4315646	4	Nut, 1/4-20 Speed
11	4315447	1	Screen, Radiator
12	3007500	AR	Moulding, 3/16, 3.967 Ft
13	3002098	2	Latch, Swell
14	4306775	1	Tray, Battery
15	548045	7	Screw, 1/4-20 x 3/4" Hex Flange
16	4314968	1	Tank, Expansion (Includes Items 17 - 18)
17	4329568	1	• Kit, Tank Expansion
18	4329587	1	• Cap, 13 psi
19	4345747	1	Hose, Coolant
20	319914	2	Clamp, Hose
21	2700757	1	Clamp, Tube
22	548910	1	Nut, 1/4-20 Hex Flange
23	4316127	1	Shield, Air Intake
24	548911	2	Nut, 5/16-18 Hex Flange
25	553926	1	Tank, Overflow
26	4181862	1	Decal, Radiator Cap

SPRAYTEK XP

Diesel Radiator Hoses



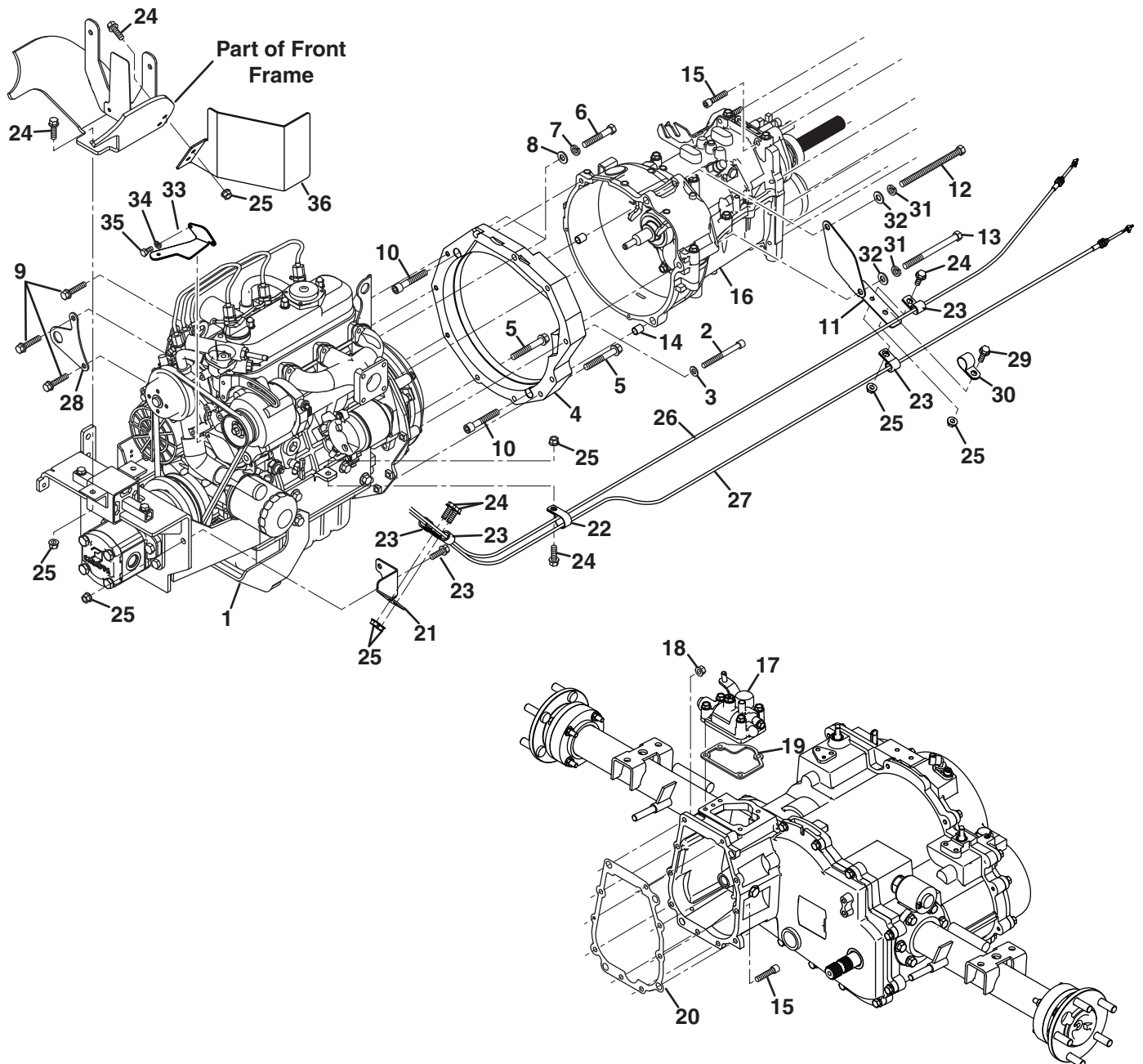
Item	Part No.	Qty.	Description
1	4315435	1	Radiator
2	4303615	1	Hose, Lower Radiator
3	319914	4	Clamp, Hose
4	4303677	1	Hose, Upper Radiator
5	4320566	2	Hose Clamp
6	554748	AR	Hose, Radiator to Expansion Tank, 28" Lg
7	48540-01	7	Clamp, Worm Gear
8	554748	AR	Hose, Engine to Expansion Tank, 13" Lg
9	4293417	1	Engine, Kubota D1105-E4B
10	554748	AR	Hose, Expansion Tank to Tank, 7.5" Lg
11	554748	AR	Hose, Overflow Tank Drain, 11.5" Lg
12	2700757	1	Clamp, Tube
13	548045	1	Screw, 1/4-20 x 3/4" Hex Flange
14	548910	2	Nut, 1/4-20 Hex Flange
15	REF	1	Tank Assembly



Item	Part No.	Qty.	Description
1	4315435	1	Radiator
2	4303676	1	Hose, Lower Radiator
3	319914	4	Clamp, Hose
4	4304000	1	Hose, Upper Radiator
5	4320566	2	Hose Clamp
6	554748	AR	Hose, Radiator to Expansion Tank, 28" Lg
7	48540-01	7	Clamp, Worm Gear
8	554748	AR	Hose, Engine to Expansion Tank, 13" Lg
9	4357326	1	Engine, Kubota WG972 EFI
10	554748	AR	Hose, Expansion Tank to Tank, 7.5" Lg
11	554748	AR	Hose, Overflow Tank Drain, 11.5" Lg
12	REF	1	Tank Assembly

SPRAYTEK XP

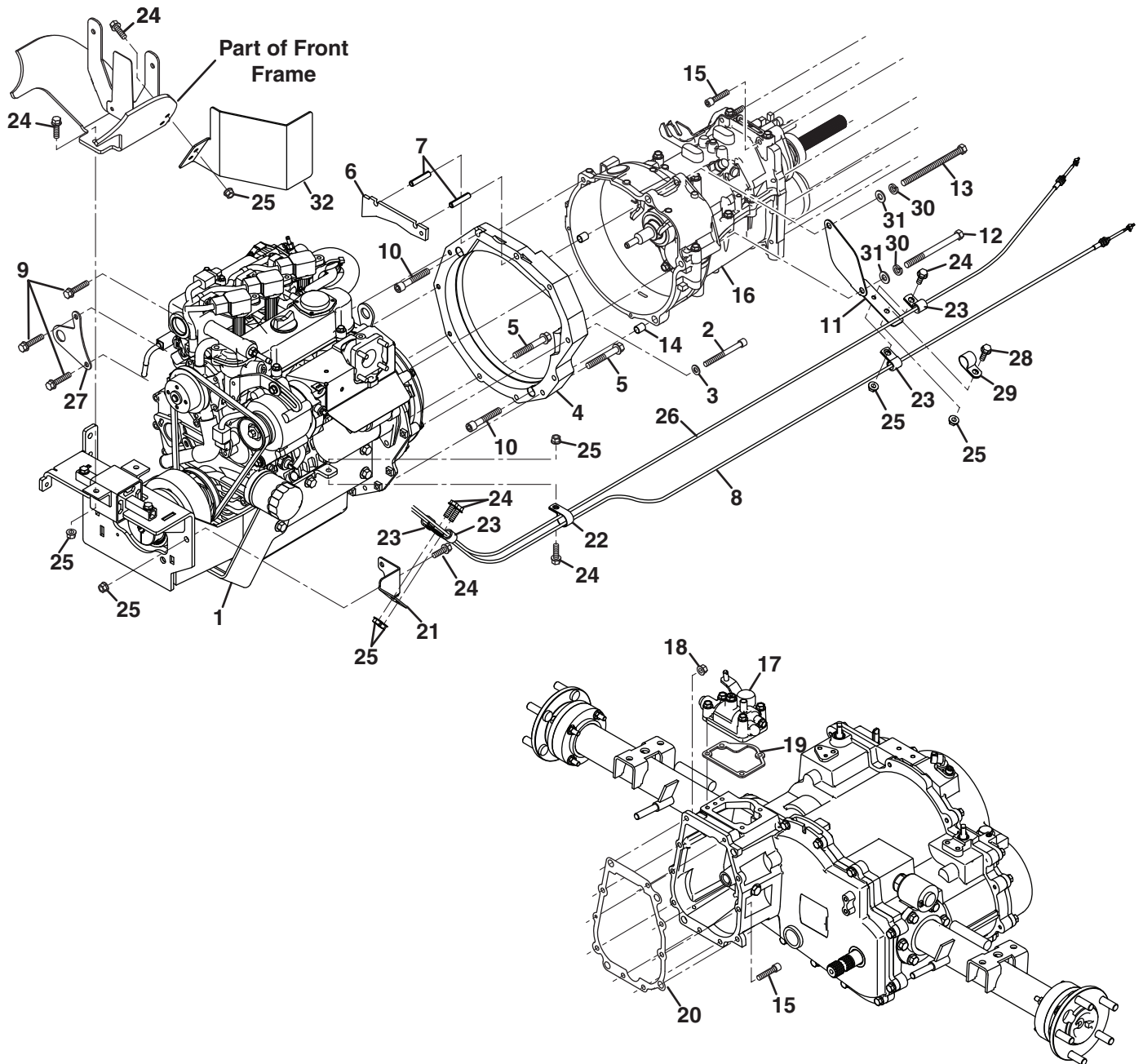
Diesel Engine and Transmission Mount



Item	Part No.	Qty.	Description
1	REF	1	Diesel Engine
2	450020	1	Screw, M8-1.25 x 60 mm Hex Socket (Grade 8)
3	450390	1	Flat Washer, M8
4	4318768	1	Adapter, Transmission
5	452393	5	Screw, M8-1.25 x 60 mm Hex Flange
6	838602	2	Screw, M10-1.25 x 50 mm Hex Head
7	446146	2	Lockwasher, 7/16
8	453011	2	Flat Washer, 3/8
9	452390	3	Screw, M8-1.25 x 30 mm Hex Flange
10	800949	2	Screw, M10-1.25 x 50 mm Hex Soc
11	4318026	1	Bracket, Starter Cover
12	401213	1	Screw, 3/8-16 x 4-1/2" Hex Head
13	548849	1	Screw, 3/8-16 x 4-3/4" Hex Head
14	842961	2	Sleeve, Alignment
15	4324749	9	Screw, M8-1.25 x 30 mm Hex Socket (Grade 8)
16	4317490	1	Transmission, 5 Speed Manual (Includes Items 17 - 20)
17	REF	1	• Case, Gear Lever
18	450324	1	• Nut, M8-1.25 Hex Flange
19	845223	1	• Gasket, Shift Case
20	2700121	1	• Gasket, Housing to Trasmision
21	4318766	1	Bracket, Control Cables
22	48228-1A	1	Clip, 7/8" Insulated Cable
23	366424	2	Clamp, 1/2" (2WD Only)
23	366424	4	Clamp, 1/2" (4WD Only)
24	400025	9	Screw, 5/16-18 x 7/8" Hex Flange (2WD Only)
24	400025	11	Screw, 5/16-18 x 7/8" Hex Flange (4WD Only)
25	548911	9	Nut, 5/16-18 Hex Flange (2WD Only)
25	548911	11	Nut, 5/16-18 Hex Flange (4WD Only)
26	4316308	1	Cable, Hi-Lo Control
27	4316308	1	Cable, Control (4WD Only)
28	4317766	1	Bracket, Bulkhead
29	548902	1	Screw, 5/16-18 x 1" Hex Flange
30	345671	1	Clamp, 3/4"
31	446140	2	Lockwasher, 3/8 Heavy
32	453011	2	Flat Washer, 3/8
33	4332848	1	Bracket, Radiator Hose
34	450168	2	Screw, M6-1 x 12 mm Hex Head
35	450421	2	Lockwasher, M6
36	4333746	1	Deflector, Engine Cooling

SPRAYTEK XP

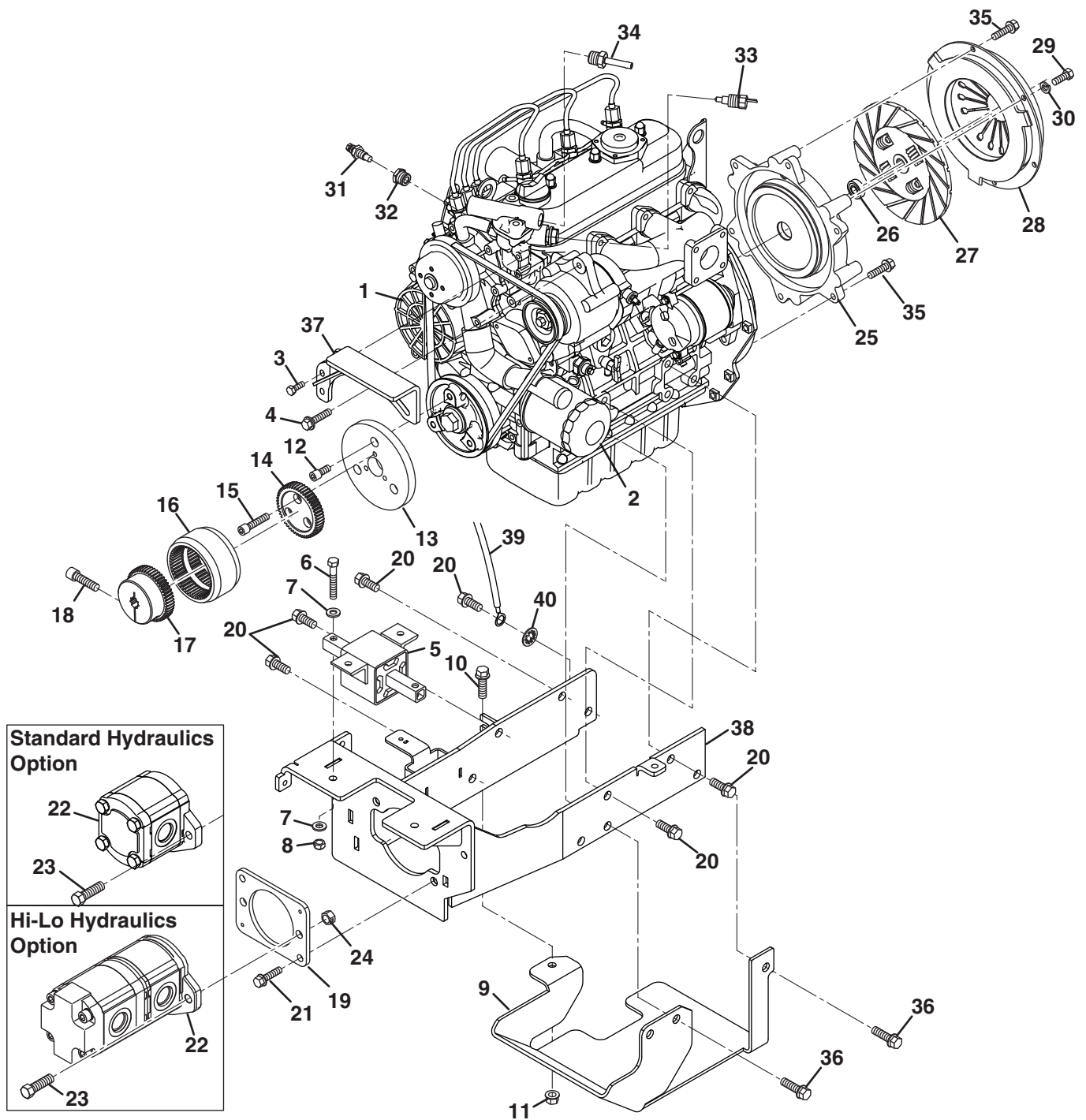
Gas Engine and Transmission Mount



Item	Part No.	Qty.	Description
1	REF	1	Gas Engine (Includes Items 1 - 4)
2	450020	1	Screw, M8-1.25 x 60 mm Hex Socket (Grade 8)
3	450390	1	Flat Washer, M8
4	4318768	1	Adapter, Transmission
5	452393	5	Screw, M8-1.25 x 60 mm Hex Flange
6	4320086	1	Plate, Spacer
7	461406	2	Roll Pin, 3/8 x 1-3/4"
8	4316308	1	Cable, Control (4WD Only)
9	452390	3	Screw, M8-1.25 x 30 mm Hex Flange
10	800949	2	Screw, M10-1.25 x 50 mm Hex Soc
11	4318026	1	Bracket, Starter Cover
12	401213	1	Screw, 3/8-16 x 4-1/2" Hex Head
13	548849	1	Screw, 3/8-16 x 4-3/4" Hex Head
14	842961	2	Sleeve, Alignment
15	4324749	9	Screw, M8-1.25 x 30 mm Hex Socket (Grade 8)
16	4317490	1	Transmission, 5 Speed Manual (Includes Items 17 - 20)
17	REF	1	• Case, Gear Lever
18	450324	1	• Nut, M8-1.25 Hex Flange
19	845223	1	• Gasket, Shift Case
20	2700121	1	• Gasket, Housing to Trasmision
21	4318766	1	Bracket, Control Cables
22	48228-1A	1	Clip, 7/8" Insulated Cable
23	366424	2	Clamp, 1/2" (2WD Only)
23	366424	4	Clamp, 1/2" (4WD Only)
24	400025	9	Screw, 5/16-18 x 7/8" Hex Flange (2WD Only)
24	400025	11	Screw, 5/16-18 x 7/8" Hex Flange (4WD Only)
25	548911	9	Nut, 5/16-18 Hex Flange (2WD Only)
25	548911	11	Nut, 5/16-18 Hex Flange (4WD Only)
26	4316308	1	Cable, Hi-Lo Control
27	4317766	1	Bracket, Bulkhead
28	548902	1	Screw, 5/16-18 x 1" Hex Flange
29	345671	1	Clamp, 3/4"
30	446140	2	Lockwasher, 3/8 Heavy
31	453011	2	Flat Washer, 3/8
32	4333746	1	Deflector, Engine Cooling

SPRAYTEK XP

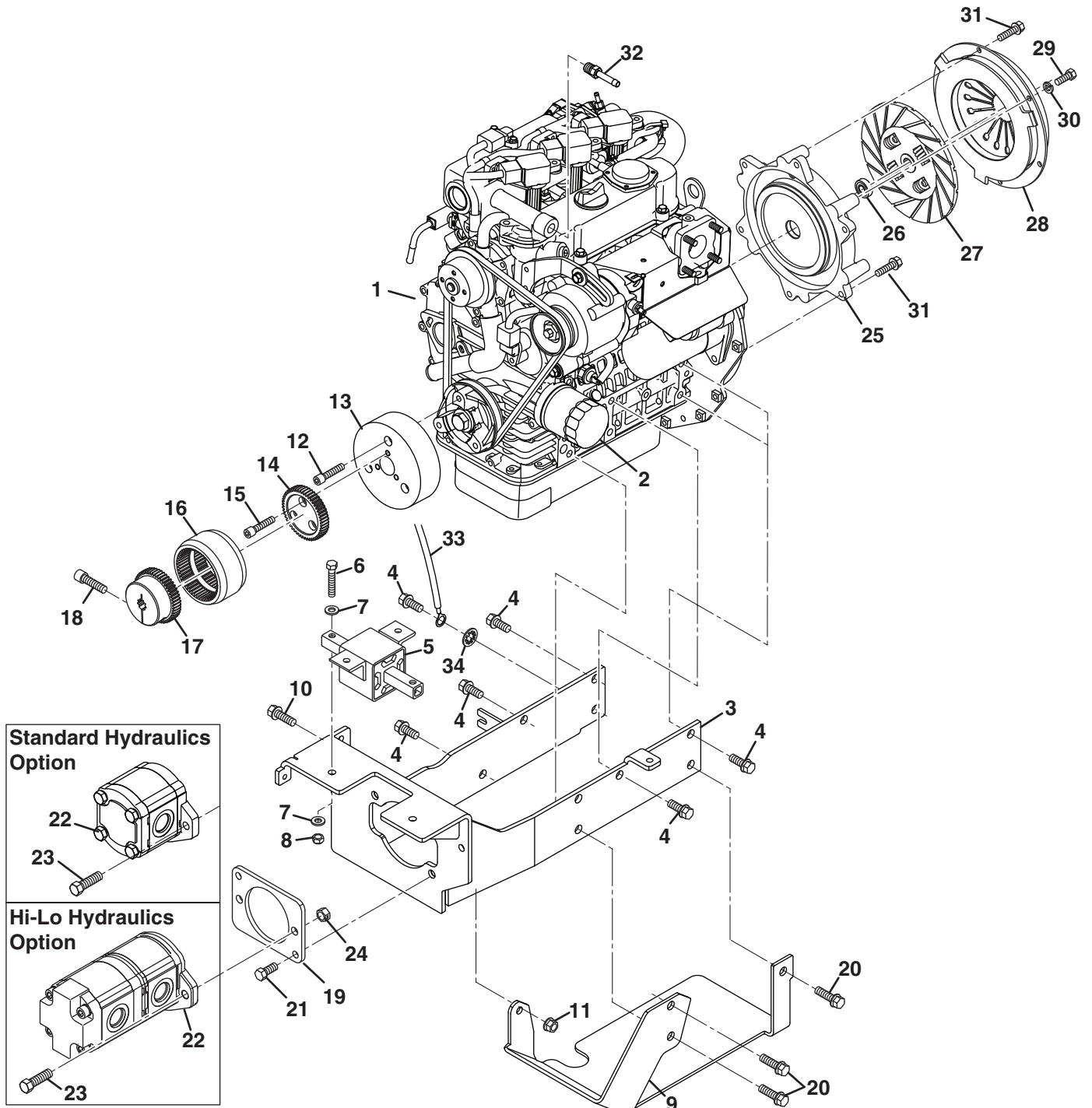
Diesel Engine



Item	Part No.	Qty.	Description
1	4293417	1	Engine, Kubota D1105-E4B
2	4177262	1	• Oil Filter
3	550362	2	• Screw, M6 x 16 mm Hex
4	4134321	1	• Screw, M8 x 30 mm with Washer
5	4314326	1	Isolator, Vibration
6	400194	2	Screw, 5/16-18 x 1-3/4" Hex Head
7	453009	4	Flat Washer, 5/16
8	445802	2	Nut, 5/16-18 Nylon Insert
9	4297771	1	Shield, Oil Pan
10	452399	1	Screw, M10-1.5 x 25 mm Hex Flange
11	452437	1	Nut, M10-1.5 Nylon Insert Hex Flange
12	450722	3	Screw, M8-1.25 x 16 mm Hex Socket
	4303756	1	Coupler, M48 Bowex
13	4315226	1	• Adapter, Diesel Engine
14	4315148	1	• Hub, Coupler
15	450726	3	• Screw, M8-1.25 x 25 mm Hex Soc
16	4315146	1	• Sleeve
17	4315147	1	• Hub, Splined
18	450739	1	• • Screw, M10-1.5 x 30 mm Soc
19	4299382	1	Adapter, Hydraulic Pump
20	4322626	6	Screw, M10-1.25 x 20 mm Hex Flange
21	548905	2	Screw, 3/8-16 x 1" Hex Flange
22	4346446	1	Pump, Single Section Gear (Std Hydraulics)
	4380397	1	• Seal Kit
22	4346426	1	Pump, Two Section Gear (Hi-Lo Hydraulics Option)
	4380398	1	• Seal Kit
23	400336	2	Screw, 7/16-14 x 1-1/4" Hex Head
24	444753	2	Locknut, 7/16-14 Hex Center
25	4173262	1	Ring, Pressure Plate
26	842960	1	• Bearing, Sealed Ball
27	22400-85141	1	Disc, Clutch
28	22100-85200	1	Cover, Clutch
29	09111-08035	2	Screw, M8-1.25 Special
30	450422	2	Lockwasher, M8
31	843857	1	Sender, Water Temperature
32	4174260	1	Reducer, 3/8 NPSF to 1/8 BPT
33	4319607	1	Switch, Temperature
34	4316892	1	Fitting, 3/8 NPT to Hose Barb
35	452389	10	Screw, M8-1.25 x 25 mm Hex Flange
36	4322627	3	Screw, M10-1.25 x 25 mm Hex Flange
37	4326526	1	Stay, Alternator
38	4307840	1	Mount, Diesel Engine
39	4271132	1	Cable, Engine Ground
40	447218	1	Lockwasher, 7/16 Internal Tooth

SPRAYTEK XP

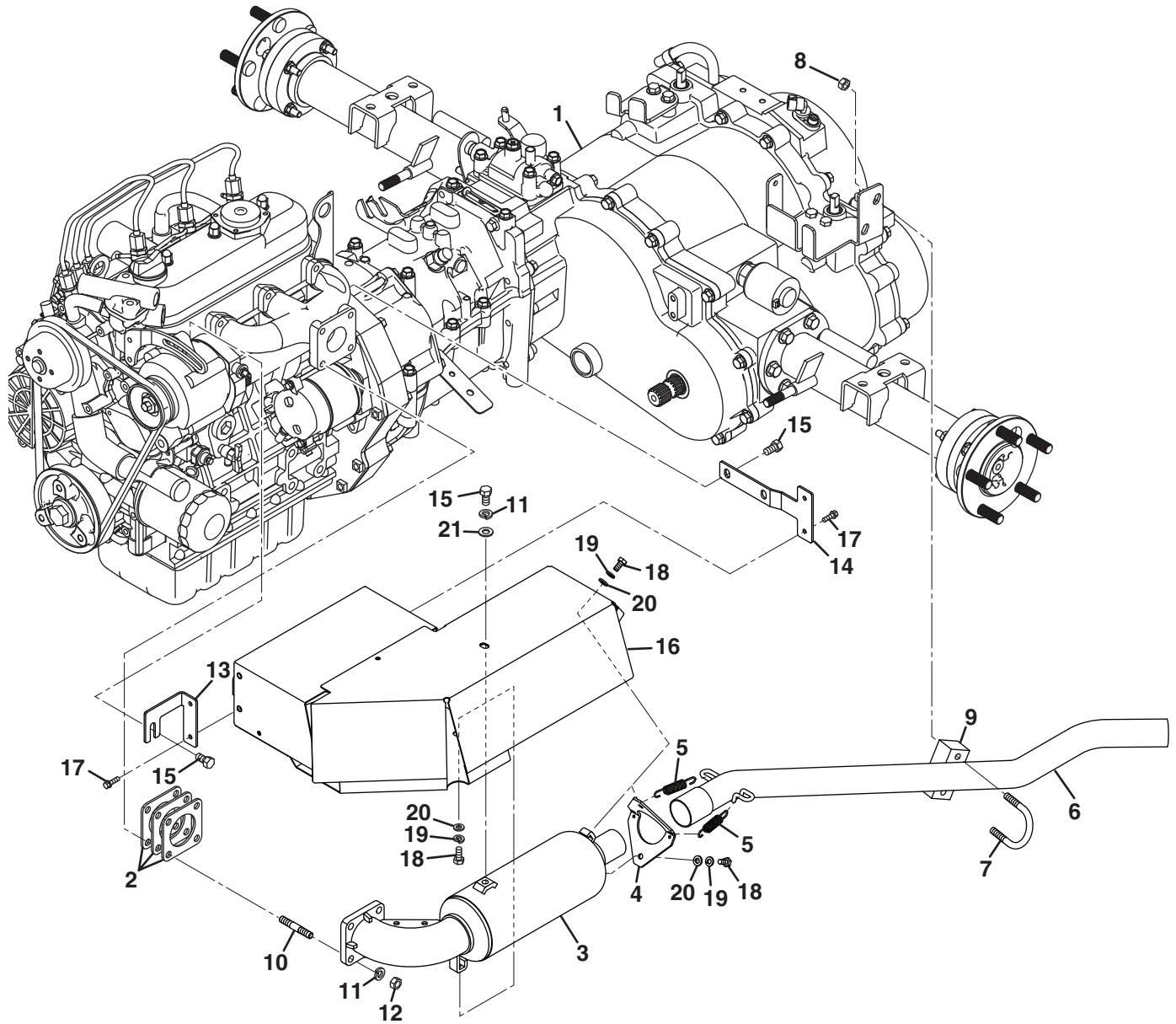
Gas Engine



Item	Part No.	Qty.	Description
1	4357326	1	Engine, Kubota WG972 EFI
2	5002644	1	• Oil Filter
3	4307841	1	Mount, Gas Engine
4	4322626	6	Screw, M10-1.25 x 20 mm Hex Flange
5	4314326	1	Isolator, Vibration
6	400194	2	Screw, 5/16-18 x 1-3/4" Hex Head
7	453009	4	Flat Washer, 5/16
8	445802	2	Nut, 5/16-18 Nylon Insert
9	4303424	1	Shield, Oil Pan
10	452399	1	Screw, M10-1.5 x 25 mm Hex Flange
11	450454	1	Nut, M10-1.5 Hex Flange
12	450727	3	Screw, M8-1.25 x 40 mm Hex Socket
	4306998	1	Coupler, M48 Bowex
13	4315127	1	• Adapter, Gas Engine
14	4315148	1	• Hub, Coupler
15	450726	3	• Screw, M8-1.25 x 25 mm Hex Soc
16	4315146	1	• Sleeve
17	4315147	1	• Hub, Splined
18	450739	1	• • Screw, M10-1.5 x 30 mm Soc
19	4299382	1	Adapter, Hydraulic Pump
20	4322627	3	Screw, M10-1.25 x 25 mm Hex Flange
21	548905	2	Screw, 3/8-16 x 1" Hex Flange
22	4346446	1	Pump, Single Section Gear
	4380397	1	• Seal Kit
22	4346426	1	Pump, Two Section Gear (Std Hydraulics)
	4380398	1	• Seal Kit
23	400336	2	Screw, 7/16-14 x 1-1/4" Hex Head (Hi-Lo Hydraulics)
24	444753	2	Locknut, 7/16-14 Hex Center
25	4173262	1	Ring, Pressure Plate
26	842960	1	• Bearing, Sealed Ball
27	22400-85141	1	Disc, Clutch
28	22100-85200	1	Cover, Clutch
29	09111-08035	2	Screw, M8-1.25 Special
30	450422	2	Lockwasher, M8
31	452389	10	Screw, M8-1.25 x 25 mm Hex Flange
32	4316891	1	Fitting, 1/4 NPT to Hose Barb
33	4271132	1	Cable, Engine Ground
34	447218	1	Lockwasher, 7/16 Internal Tooth

SPRAYTEK XP

Diesel Exhaust

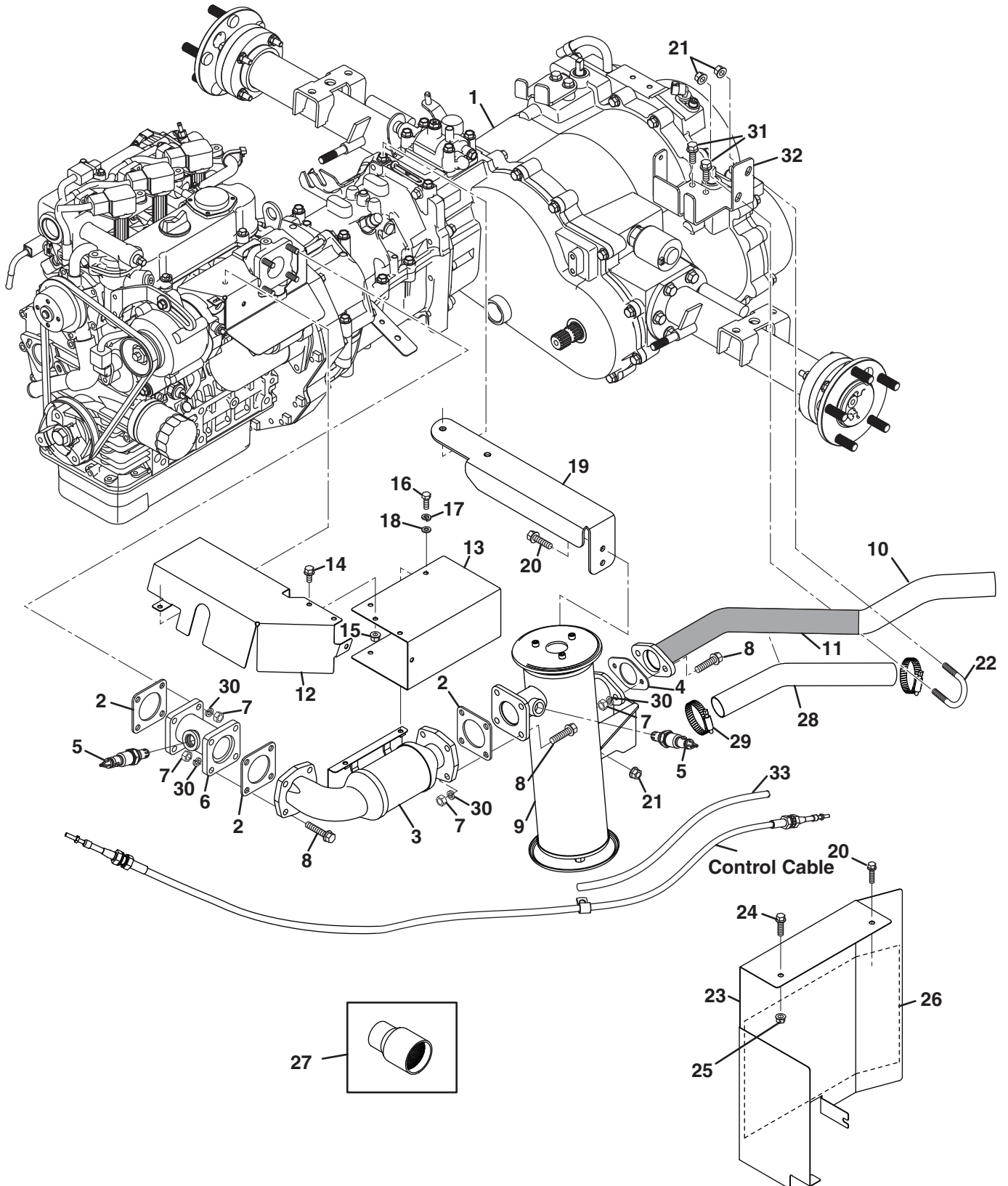


Item	Part No.	Qty.	Description
1	REF	1	Engine-Transmission Mount
2	553020	3	Gasket, Exhaust
3	554482	1	Muffler, Diesel Engine
4	4324326	1	Plate, Spring
5	2700335	2	Spring, Extension
6	4316286	1	Tailpipe, Diesel Exhaust
7	4333846	1	Clamp, Exhaust
8	548910	2	Nut, 1/4-20 Hex Flange
9	4324466	1	Isolator, Metal Mesh
10	4324287	4	Stud, M8-1.25
11	450422	6	Lockwasher, M8 Heavy
12	450324	4	Nut, M8-1.25 Hex
13	4325206	1	Bracket, Front Exhaust Shield
14	4325193	1	Bracket, Rear Exhaust Shield
15	450188	3	Screw, M8-1.25 x 12 mm Hex Head
16	4333047	1	Heat Shield, Diesel Exhaust
17	403753	4	Screw, #10-24 x 1/2" Hex Flange
18	450169	3	Screw, M6-1 x 14 mm Hex Head
19	450421	3	Lockwasher, M6 Heavy
20	450399	3	Flat Washer, M6
21	450390	2	Flat Washer, 5/16

SPRAYTEK XP

Gas Exhaust

Gas Engine Option

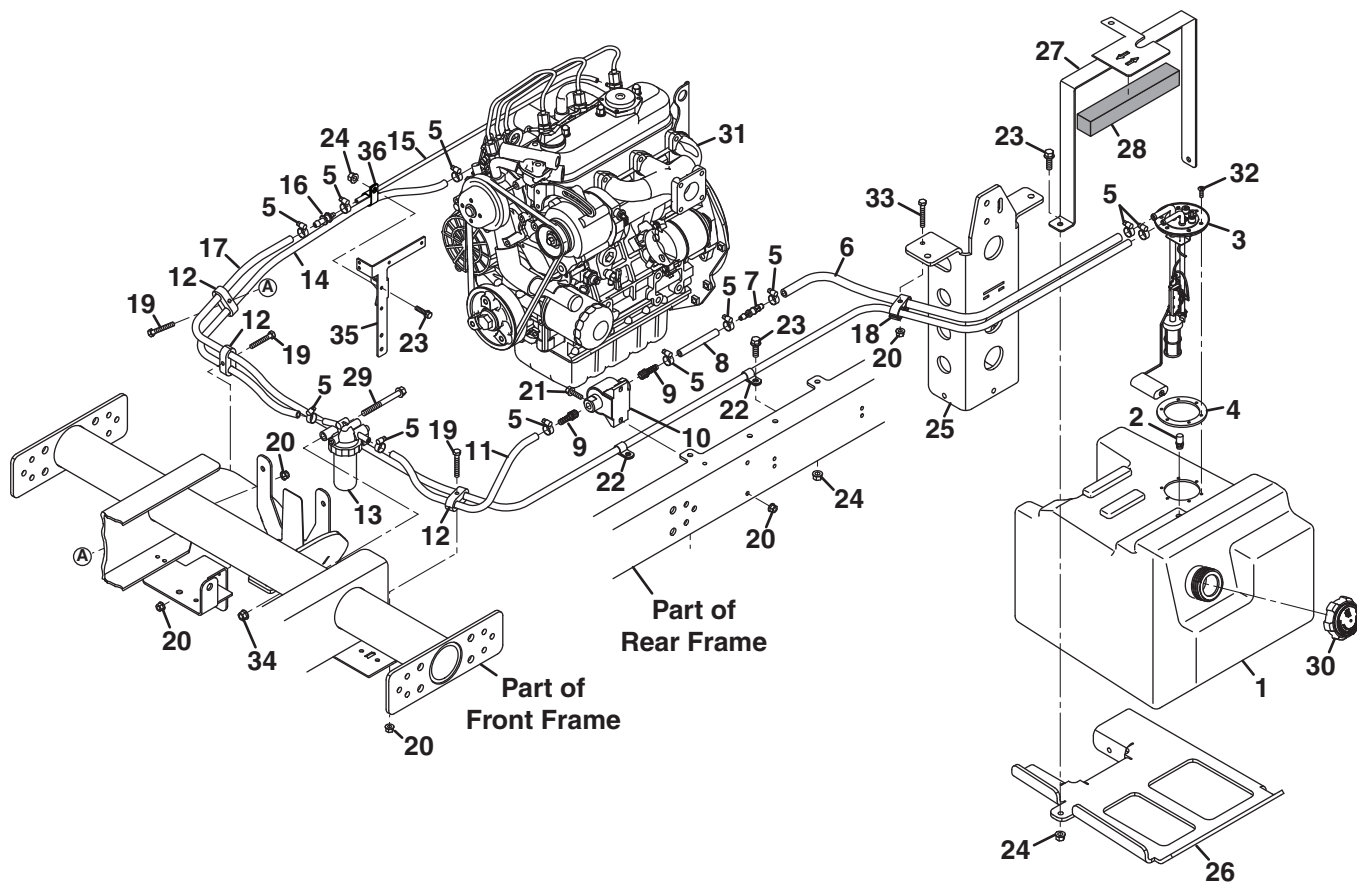


Item	Part No.	Qty.	Description
1	REF	1	Engine and Transmission Mount
2	4308957	2	• Gasket, Exhaust
3	4357286	1	• Catalyst
4	4308965	1	• Gasket, Exhaust
5	4308963	2	• Sensor, O ₂
6	4304525	1	Spacer, Exhaust Manifold
7	450324	14	Nut, M8-1.25 Hex
8	450473	10	Screw, M8-1.25 x 30 mm Hex Flange
9	4357346	1	Muffler
	4359166	2	• Heat Shield
	2811566	6	• Screw, 1/4-20 x 1/2" Socket Head
	446128	6	• Lockwasher, 1/4
	453023	6	• Flat Washer, 1/4
10	4348248	1	Tailpipe, Gas Exhaust
11	4357366	1	Sleeve, Insulating
12	4349027	1	Shield, Manifold Spacer
13	4349026	1	Shield, Catalyst
14	450464	3	Screw, M6-1 x 14 mm Hex Flange
15	450452J	3	Nut, M6-1 Hex Flange
16	450170	4	Screw, M6-1 x 16 mm Hex Head
17	450421	4	Lock Washer, M6
18	450389	4	Flat Washer, M6
19	4357466	1	Brace, Muffler
20	800710J	3	Screw, 5/16-18 x 1" Hex Flange
21	548911	4	Nut, 5/16-18 Hex Flange
22	3008385	1	U-Bolt
23	4324366	1	Shield, Heat
24	548905	1	Screw, 3/8-16 x 1" Hex Flange
25	548804J	1	Nut, 3/8-16 Whizlock Flange
26	4336326	1	Shield, Adhesive Heat
27	4304421	1	Optional Spark Arrestor
28	680528	1	Silica Sleeve Insulation
29	359615	2	Hose Clamp
30	450422	14	Lock Washer M8
31	548901J	2	Screw, 5/16-18 x 1/2" Hex Flange
32	4325447	1	Bracket, 2WD/4WD Cable/Exhaust (Gas Engine Only)
33	4387226	1	Cable Sleeve

SPRAYTEK XP

Diesel Fuel System

Diesel Engine Option

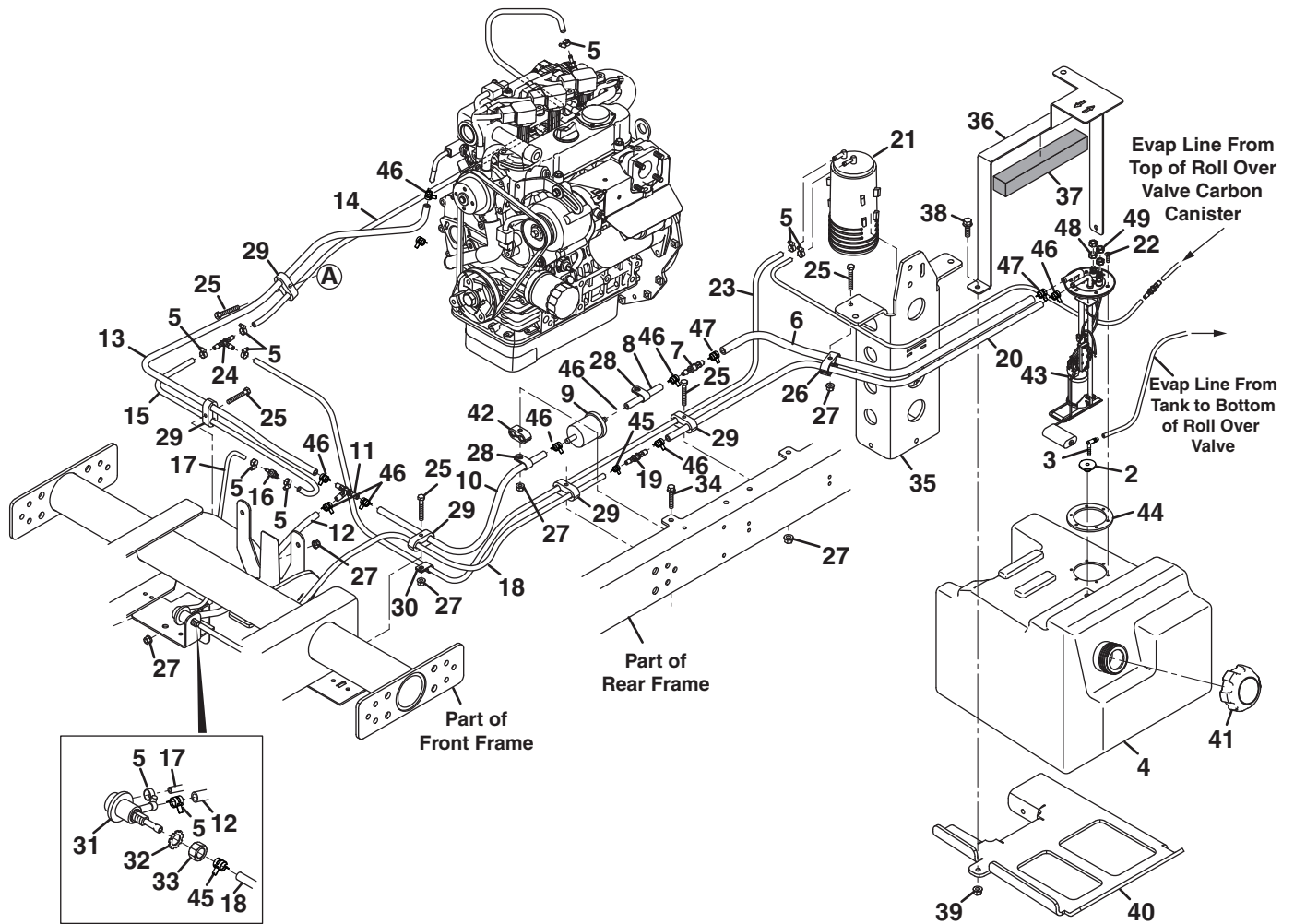


Item	Part No.	Qty.	Description
1	4322846	1	Tank, Diesel Fuel
2	836852	1	• Breather, Tank
3	4316346	1	Sender, Fuel Level
4	4331468	1	• Gasket
5	48540-01	12	Clamp, Fuel Hose
6	4317207	1	Hose, Tank to Reducer 3/8", 17" Lg
7	4316026	1	Reducer, 3/8 to 5/16" Hose
8	554748	1	Hose, Reducer to Fuel Pump 5/16", 7" Lg
9	4316146	2	Fitting, 1/8 NPTF x 5/16" Hose Barb
10	4272290	1	Fuel Pump, 12V
11	554748	1	Hose, Fuel Pump to Filter 5/16", 18" Lg
12	364741	3	Clamp, Double Hose
13	4209363	1	Filter, Fuel
	550489	1	• Element, Fuel Filter
14	554748	1	Hose, Filter to Engine 5/16", 27" Lg
15	363958	1	Hose, Engine to Reducer 3/16", 21" Lg
16	4139967	1	Reducer, 5/16 to 3/16" Hose
17	554748	1	Hose, Reducer to Tank, 61" Lg
18	3003110	1	Clamp, Double Hose
19	400116	3	Screw, 1/4-20 x 1-1/2" Hex Head
20	548910	6	Nut, 1/4-20 Hex Flange
21	548045	2	Screw, 1/4-20 x 3/4" Hex Flange
22	345666	2	Clamp, 1/2" Hose
23	800710	3	Screw, 5/16-18 x 3/4" Hex Flange
24	548911	5	Nut, 5/16-18 Hex Flange
25	4320827	1	Mount, Fuel Tank
26	4314268	1	Bracket, Fuel Tank
27	4314267	1	Strap, Fuel Tank
28	4138359	AR	Foam, Seal, 7.5" Lg
29	452394	1	Screw, M8-1.25 x 70 mm Hex Flange
30	4244793	1	Cap, Diesel Fuel
31	4293417	1	Engine, Kubota D1105-E4B
32	800021	6	Screw, #10-24 x 1/2" Truss Head
33	400118	1	Screw, 1/4-20 x 1-3/4" Hex Head
34	450453	1	Nut, M8-1.25 Hex Flange
35	4307842	1	Bracket, Throttle Cable
36	48228-1A	1	Clip, Cable

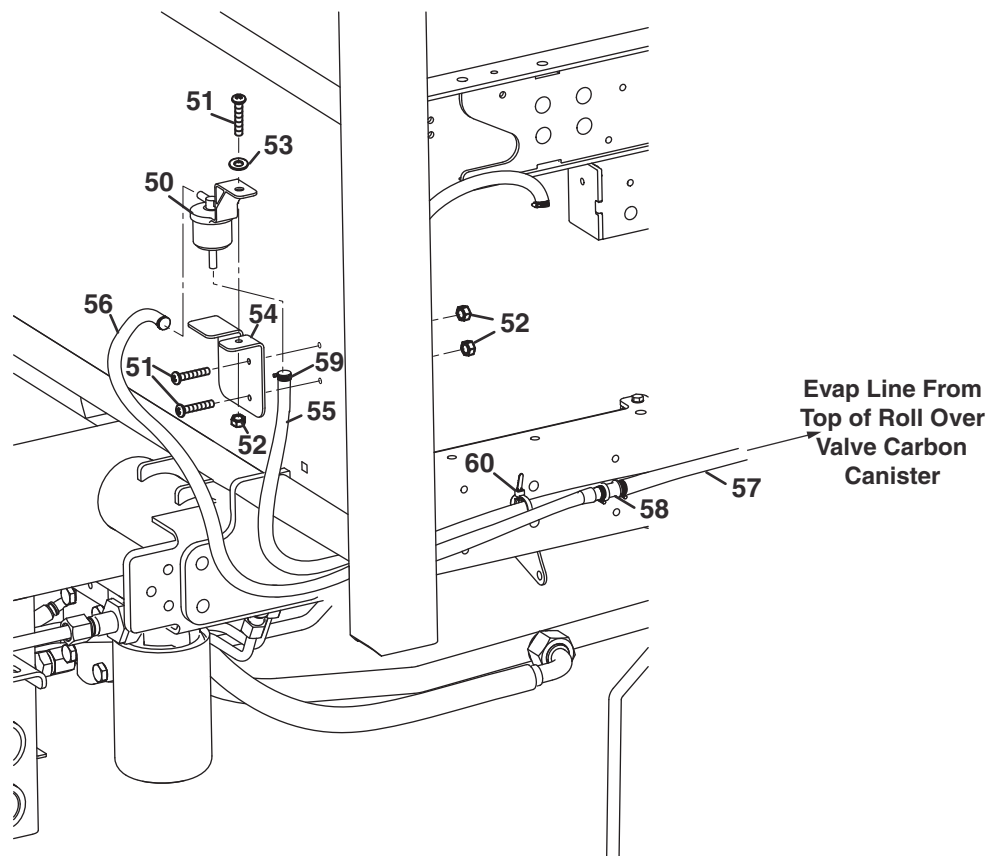
SPRAYTEK XP

Gas Fuel System

Gas Engine Option



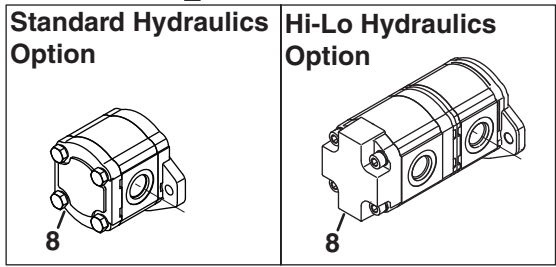
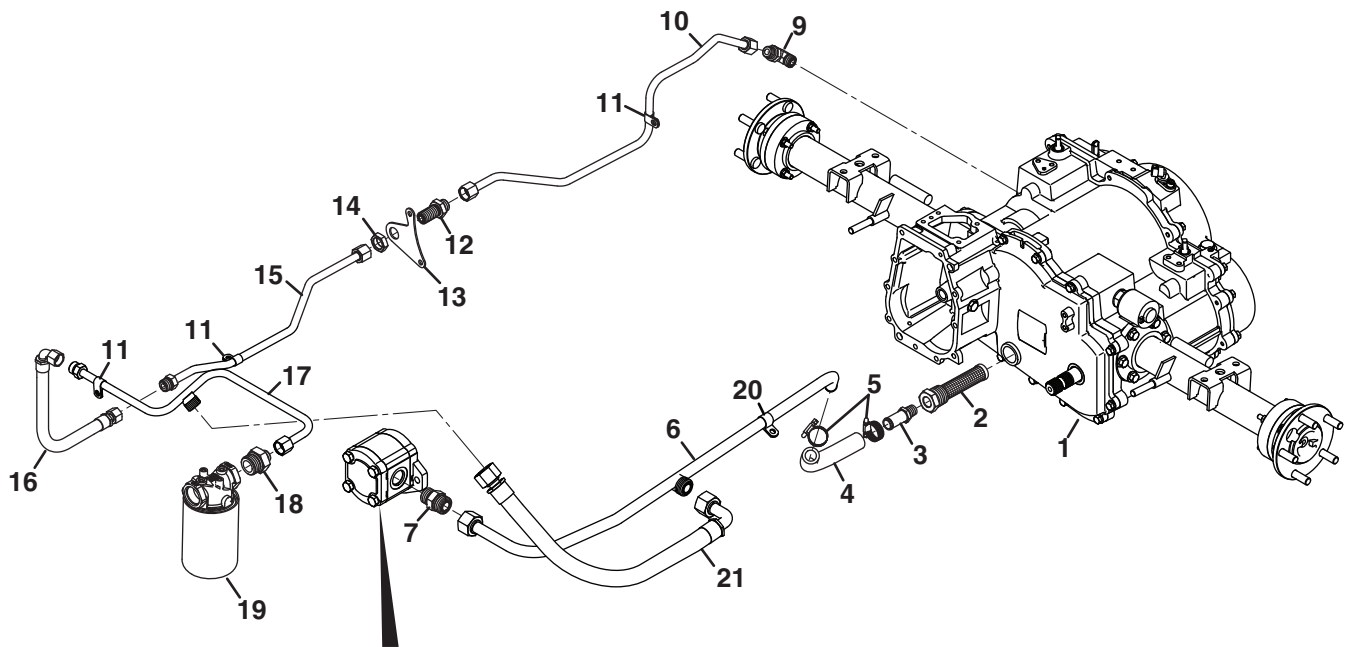
Item	Part No.	Qty.	Description
1	674916	1	Tank, Gas Fuel (Includes Items 2 - 4)
2	4168131	1	• Grommet
3	670951	1	• Elbow Red
4	4314646	1	• Gas Fuel Tank
5	48540-01	10	Clamp, Fuel Hose
6	4331466	1	Hose, Tank to Reducer 3/8", 18" Lg
7	4316026	1	Reducer, 3/8 to 5/16" Hose
8	4218621	1	Hose, Reducer to Filter 7.9 mm, 8" Lg
9	5001182	1	Filter, Fuel
10	4218621	1	Hose, Filter to Tee 7.9 mm, 27" Lg
11	4113020	1	Tee, 5/16" Hose
12	4218621	1	Hose, Tee to Pressure Regulator, 6" Lg
13	4218621	1	Hose, Tee to Engine 7.9 mm, 24" Lg
14	4218620	1	Hose, Engine to Tee 6.4 mm, 31" Lg
15	4218620	1	Hose, Tee to Reducer 6.4 mm, 6" Lg
16	4316890	1	Reducer, 1/4 to 5/32" Hose
17	363958	1	Hose, Reducer To Tee, 4' Lg
18	4218620	1	Hose, Pressure Regulator to Reducer, 31" Lg
19	4113018	1	Reducer, 5/16 to 1/4" Hose
20	4218621	1	Hose, Reducer to Tank, 22" Lg
21	4221120	1	Canister, 800cc Carbon
22	800021J	6	Screw, #10-24 x 1/2" Truss Head
23	4218620	1	Hose, Canister to Tee 1/4", 49" Lg
24	4115904	1	Tee, 1/4" Hose
25	400118J	6	Screw, 1/4-20 x 1-3/4" Hex Head
26	3003110	1	Clamp, Double Hose
27	548910J	8	Nut, 1/4-20 Hex Flange
28	345666	2	Clamp, 1/2" Hose
29	364741	5	Clamp, Double Hose
30	48228A	1	Clamp, Hose
31	2700177	1	Regulator, Fuel Pressure
32	309067J	1	Lockwasher, 1/2" External Tooth
33	800875J	1	Nut, M12-1.25 Hex
34	800871	2	Screw, 1/4-20 x 1-1/4" Hex Flange
35	4319006	1	Mount, Fuel Tank
36	4314267	1	Strap, Fuel Tank
37	4138359	AR	Foam, Seal, 11" Lg
38	800710J	2	Screw, 5/16-18 x 1" Hex Flange
39	548911J	2	Nut, 5/16-18 Hex Flange
40	4314268	1	Bracket, Fuel Tank
41	4166840	1	Cap, Unvented Fuel
42	364221	2	Clamp, Double Tube
43	4315772	1	Fuel Pump/Level Sender
44	4331468	1	• Gasket
45	4331673	2	Clamp, 1/4" I.D. Hose Spring
46	4331675	10	Clamp, 5/16" I.D. Hose Spring
47	4331671	2	Clamp, 3/8" I.D. Hose Spring
48	444312	2	Nut, #10-32 Hex
49	444306J	4	Nut, #8-32 Hex



Item	Part No.	Qty.	Description
50	4312706	1	Roll - Over Valve
51	403914J	3	Screw, #10-24 x 3/4" Truss Head
52	548973	3	Nut, #10-24 Hex Jam
53	308089	1	Flat Washer #10
54	670240	1	Bracket Rollover
55	4218620	1	Hose, Tank to Bottom Of Rollover Valve, 42" Lg
56	363958	1	Hose, Canister to Reducer, 18' Lg
57	4218620	1	Hose, Reducer to Top Of Rollover Valve, 28" Lg
58	4288911	1	Reducer, 1/4" to 3/16" Hose
59	48540-01	4	Clamp, Fuel Hose
60	4167640	2	Cable Tie, Fir Tree

SPRAYTEK XP

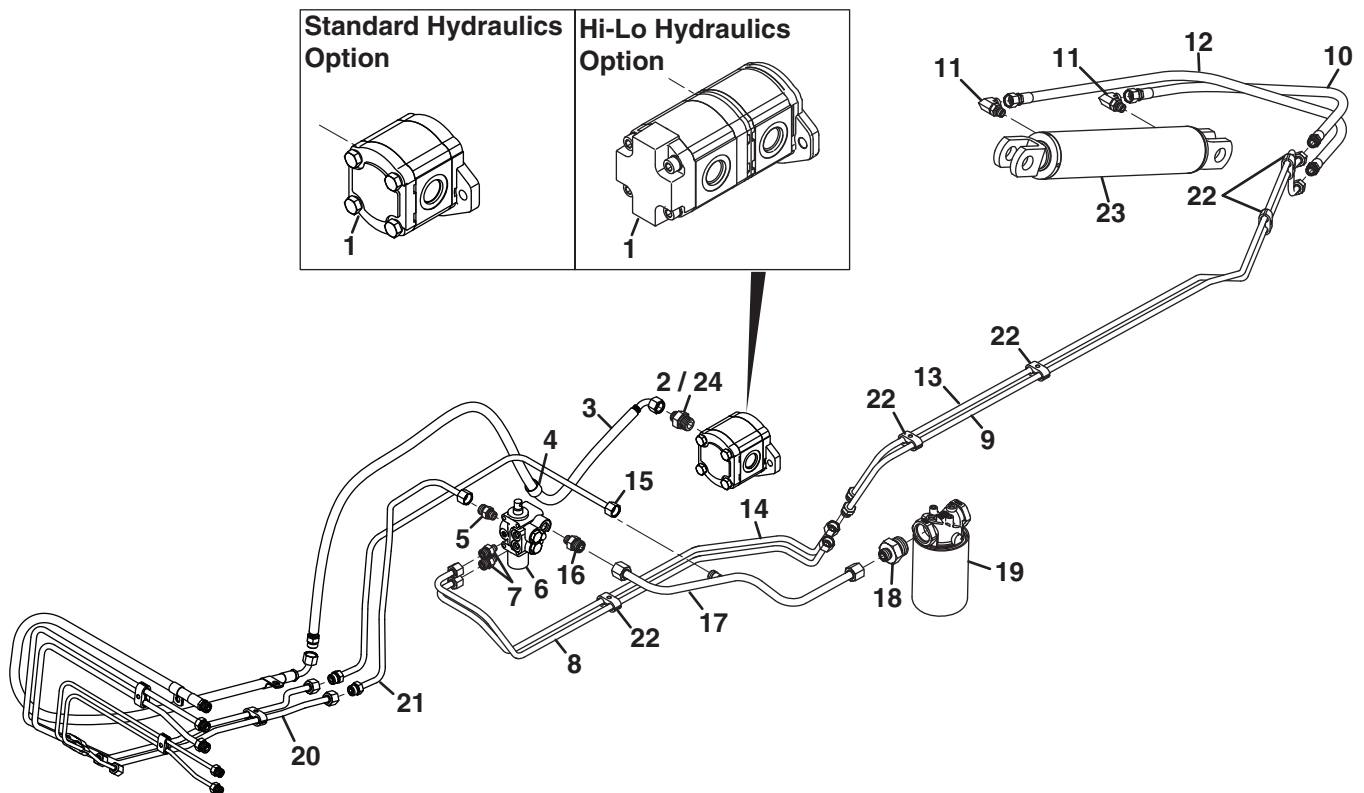
Suction and Return Hydraulics



Item	Part No.	Qty.	Description
1	4395476	1	Rear Axle
2	4314047	1	Strainer, Suction
3	4319570	1	Fitting, 1/2 NPT x 3/4" Hose Barb
4	4346206	1	Hose, Suction
5	319914	2	Clamp, Hose
6	4365026	1	Tube, Suction
	339912	1	• O-Ring, -12 ORFS
7	339999	1	Fitting, -16 ORB x -16 ORFS Straight
	339901	1	• O-Ring, -16 ORB
	339913	1	• O-Ring, -16 ORFS
8	4346446	1	Pump, Single Section Gear (Standard Hydraulics)
8	4346426	1	Pump, Two Section Gear (Hi-Lo Hydraulic Option)
9	340066	1	Fitting, -8 ORB x -8 ORFS 90°
	339898	1	• O-Ring, -8 ORB
	339910	1	• O-Ring, -8 ORFS
10	4316789	1	Tube, Bulkhead to Rear Axle
11	345666	3	Clamp, 1/2"
12	340240	1	Fitting, -8 ORFS Union Bulkhead
	339910	2	• O-Ring, -8 ORFS
13	4317766	1	Bracket, Bulkhead
14	339962	1	Nut, 13/16 Bulkhead
15	4317286	1	Tube, Bulkhead to Return Hose
	339910	1	• O-Ring, -8 ORFS
16	4303855	1	Hose, Return
17	4332526	1	Tube, Filter to Return Hose
	339910	1	• O-Ring, -8 ORFS
	339912	1	• O-Ring, -12 ORFS
18	339987	1	Fitting, -16 ORB x -8 ORFS Straight
	339913	1	• O-Ring, -16 ORB
	339910	1	• O-Ring, -8 ORFS
19	4274293	1	Filter, Return
	885249	1	• Cartridge, Filter
20	345671	1	Clamp, 3/4" Hose
21	4331608	1	Hose, Pump Feed

SPRAYTEK XP

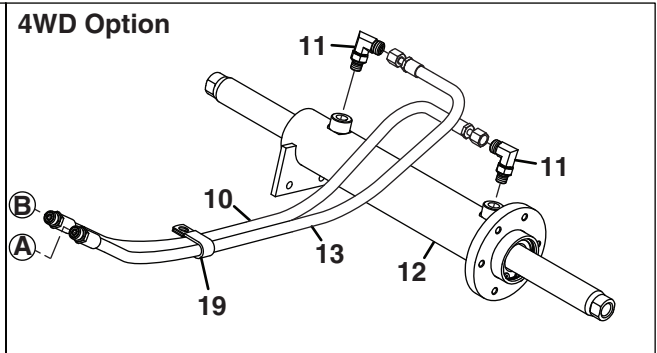
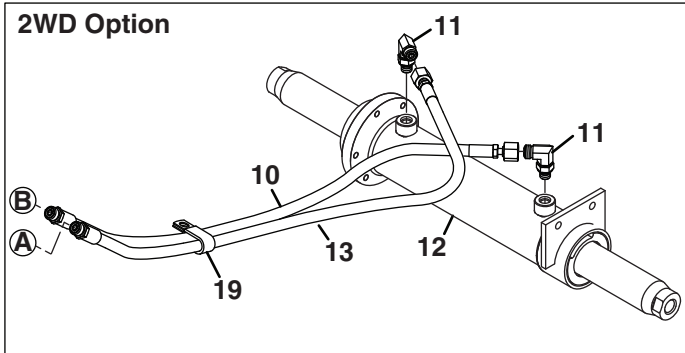
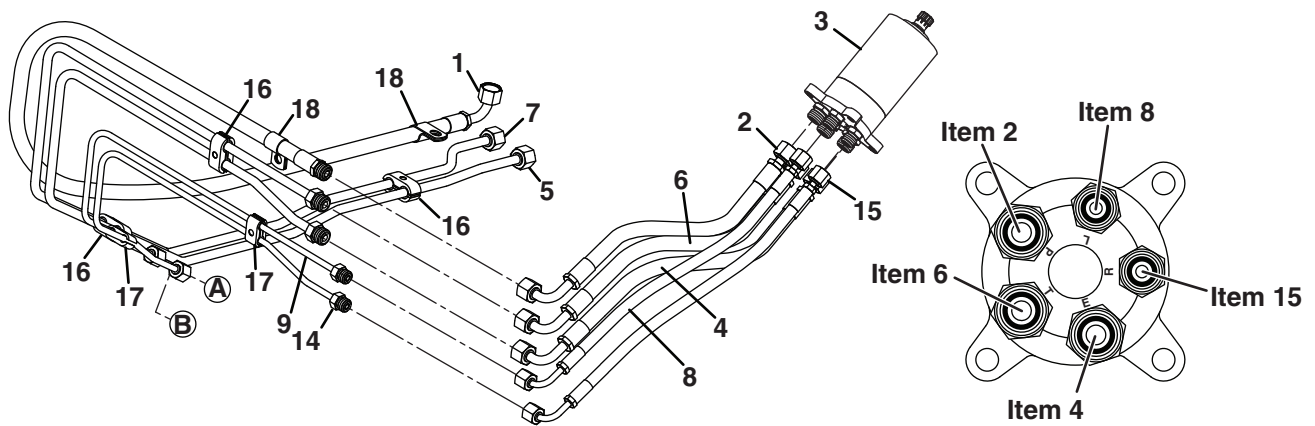
Bed Cylinder Hydraulics



Item	Part No.	Qty.	Description
1	4346446	1	Pump, Single Section Gear (Standard Hydraulics)
1	4346426	1	Pump, Two Section Gear (Hi-Lo Hydraulics Option)
2	339980	1	Fitting, -8 ORB x -6 ORFS
	339898	1	• O-Ring, -10 ORB
	339909	1	• O-Ring, -6 ORFS
3	4331846	1	Hose, Pump to Pressure Tube
4	345671	1	Clamp, 3/4"
5	339979	1	Fitting, -6 ORB x -6 ORFS
	339897	1	• O-Ring, -6 ORB
	339909	1	• O-Ring, -6 ORFS
6	886270	1	Valve, Lift
	884599	1	• Seal Kit
7	339977	2	Fitting, -4 ORB x -6 ORFS
	339896	1	• O-Ring, -4 ORB
	339909	1	• O-Ring, -6 ORFS
8	4316086	1	Tube, Lift Valve to Connecting Tube
9	4303827	1	Tube, Lift Pressure Connecting
	339909	1	• O-Ring, -6 ORFS
10	4303844	1	Hose, Lift Pressure
11	340061	2	Fitting, -6 ORFS x -6 ORB 90°
	339897	1	• O-Ring, -6 ORB
	339909	1	• O-Ring, -6 ORFS
12	4303845	1	Hose, Lower Pressure
13	4303828	1	Tube, Lower Pressure Connecting
	339909	1	• O-Ring, -6 ORFS
14	4316087	1	Tube, Connecting Tube to Lift Valve
15	4304336	1	Tube, Steering Return
16	339983	1	Fitting, -6 ORB x -8 ORFS
	339897	1	• O-Ring, -6 ORB
	339910	1	• O-Ring, -8 ORFS
17	4299375	1	Tube, Lift Valve Return
	339909	1	• O-Ring, -6 ORFS
18	339987	1	Fitting, -16 ORB x -8 ORFS Straight
	339913	1	• O-Ring, -16 ORB
	339910	1	• O-Ring, -8 ORFS
19	4274293	1	Filter, Return
	885249	1	• Cartridge, Filter
20	REF	1	Steering Tube Assembly
21	4303919	1	Tube, Lift Valve Pressure
22	364221	5	Clamp, Double 3/8" Tube
23	4314366	1	Cylinder, Bed Lift
	4329200	1	• Seal Kit
24	339981	1	Fitting, -10 ORB x -6 ORFS (Hi-Lo Hydraulics Option)
	339899	1	• O-Ring, -10 ORB
	339909	1	• O-Ring, -6 ORFS

SPRAYTEK XP

Steering Hydraulics

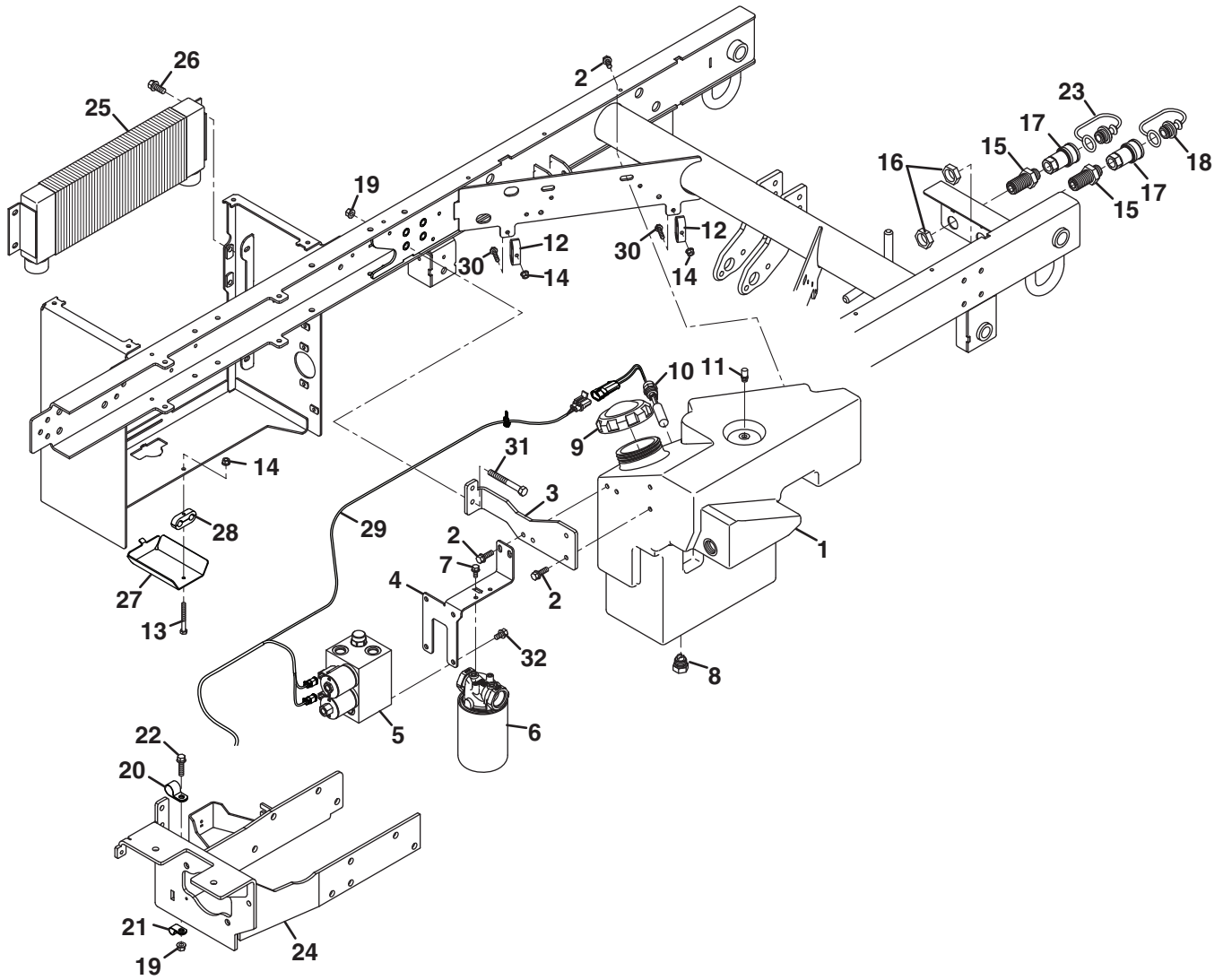


Item	Part No.	Qty.	Description
1	4331786	1	Hose, Steering Valve Pressure
	339909	1	• O-Ring, -6 ORFS
2	4299385	1	Hose, Steering Valve (Steering Valve Port P)
3	4303996	1	Valve, Steering
	4197940	1	• Seal Kit
	339909	3	• O-Ring, -6 ORFS
	339908	2	• O-Ring, -4 ORFS
4	4329770	1	Hose, Lift Valve Pressure (Steering Valve Port E)
5	4303838	1	Tube, Lift Valve Pressure
	339909	1	• O-Ring, -6 ORFS
6	4311542	1	Hose, Steering Return (Steering Valve Port T)
7	4303840	1	Tube, Steering Return
	339909	1	• O-Ring, -6 ORFS
8	4329769	1	Hose, Left Turn Pressure (Steering Valve Port L)
9	4332086	1	Tube, Left Turn Pressure
	339908	1	• O-Ring, -4 ORFS
10	4331572	1	Hose, Left Turn Pressure (Right Side Steering Cylinder Port)
11	340055	2	Fitting, -4 ORB x -4 ORFS 90°
	339896	1	• O-Ring, -4 ORB
	339908	1	• O-Ring, -4 ORFS
12	4303015	1	Cylinder, 2WD Steering
	4329207	1	• Seal Kit
12	4316270	1	Cylinder, 4WD Steering
	4329207	1	• Seal Kit
13	4331572	1	Hose, Right Turn Pressure (Left Side Steering Cylinder Port)
14	4332087	1	Tube, Right Turn Pressure
	339908	1	• O-Ring, -4 ORFS
15	4311533	1	Hose, Right Turn Pressure (Steering Valve Port R)
16	364221	3	Clamp, Double 3/8" Tube
17	4244342	2	Clamp, Double 1/4" Tube
18	345671	2	Clamp, 3/4" Hose
19	3008820	1	Clamp, Double 1/2" Hose

SPRAYTEK XP

Hi-Lo Hydraulic Tank

Hi-Lo Hydraulics Option

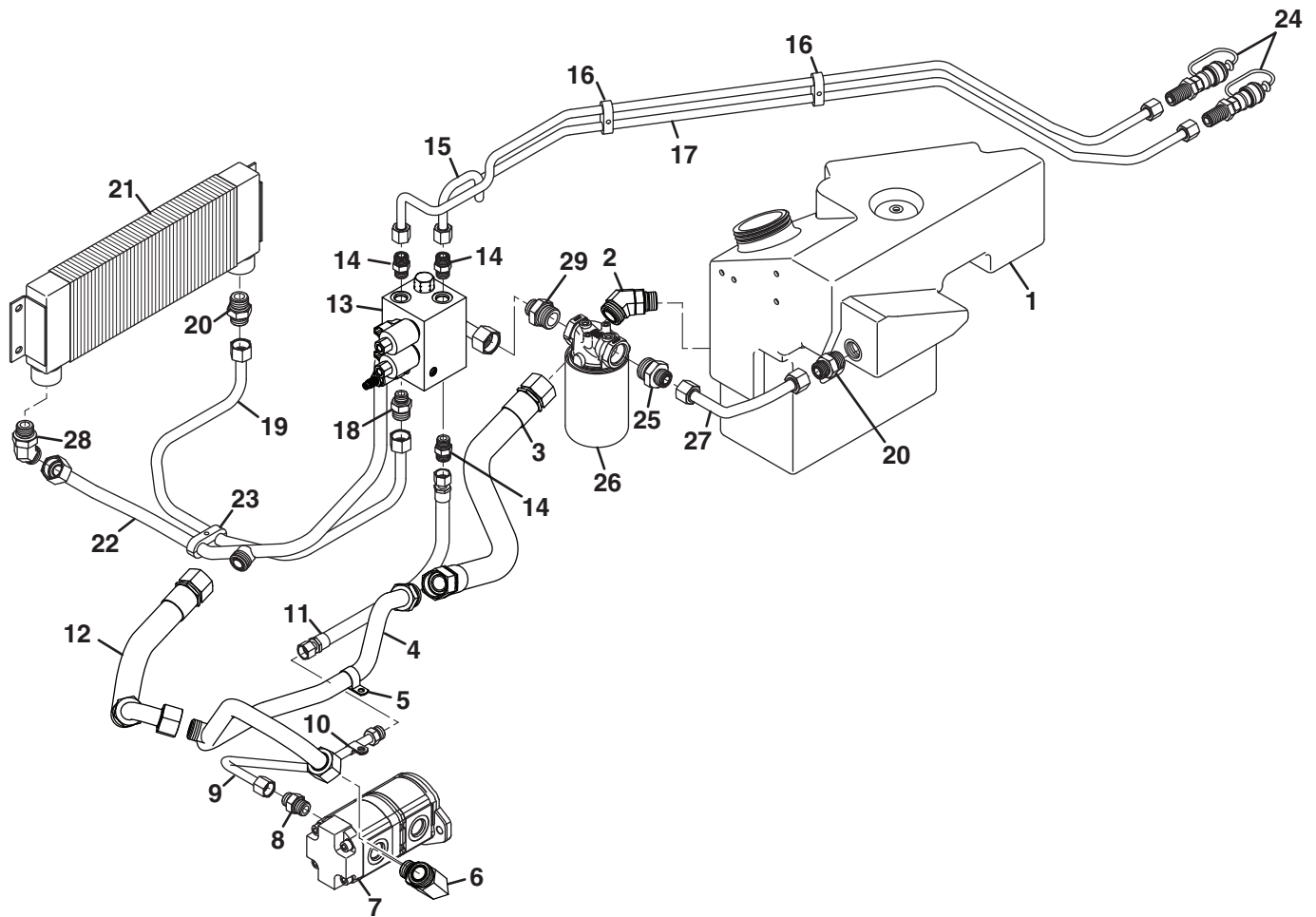


Item	Part No.	Qty.	Description
1	4316751	1	Tank, Hydraulic
2	403770	6	Screw, 5/16-18 x 3/4" Hex Flange
3	4307228	1	Support, Tank
4	4304417	1	Support, Filter
5	4346506	1	Valve, Hi-Lo Control
6	4274293	1	Filter, Return
	885249	1	• Cartridge, Filter
7	403753	2	Screw, 1/4-20 x 1/2" Hex Flange
8	3002397	1	Plug, Magnetic
	339899	1	• O-Ring, -10 ORB
9	4316328	1	Cap, Hydraulic Tank
10	4316948	1	Switch, Float
11	836852	1	Breather, Tank
12	364741	2	Clamp, Double 1/2" Tube
13	4322727	1	Screw, 1/4-20 x 2" Hex Flange
14	548910	3	Nut, 1/4-20 Hex Flange
15	4301931	2	Union, -10 ORFS x -10 ORB Bulkhead
	339899	1	• O-Ring, -10 ORB
	339911	1	• O-Ring, -10 ORFS
16	339963	2	Locknut, 13/16-16 Hex Bulkhead
17	4307272	2	Quick Connect, 1/2" Female
18	4124085	1	QRC Bung, Red
19	548911	3	Nut, 5/16-18 Hex Flange
20	831225	1	Clamp, 1" Tube
21	345666	1	Clamp, 1/2" Tube
22	548902	1	Screw, 5/16-18 x 1" Hex Flange
23	4185262	1	QRC Bung, Yellow
24	4307840	1	Mount, Diesel Engine
24	4307841	1	Mount, Gas Engine
25	4315434	1	Cooler, Hydraulic Oil
26	800385	4	Screw, 3/8-16 x 3/4" Hex Flange
27	4319906	1	Shield, Oil Cooler Hose
28	4333666	1	Clamp, Double 5/8" Hose
29	4318288	1	Harness, Hi-Lo Hydraulic Option
30	4316689	2	Screw, 1/4-20 x 1-1/2" Hex Flange
31	400200	2	Screw, 5/16-18 x 2-1/2" Hex Head
32	548901	4	Screw, 5/16-18 x 1/2" Hex Flange

SPRAYTEK XP

Hi-Lo Hydraulics

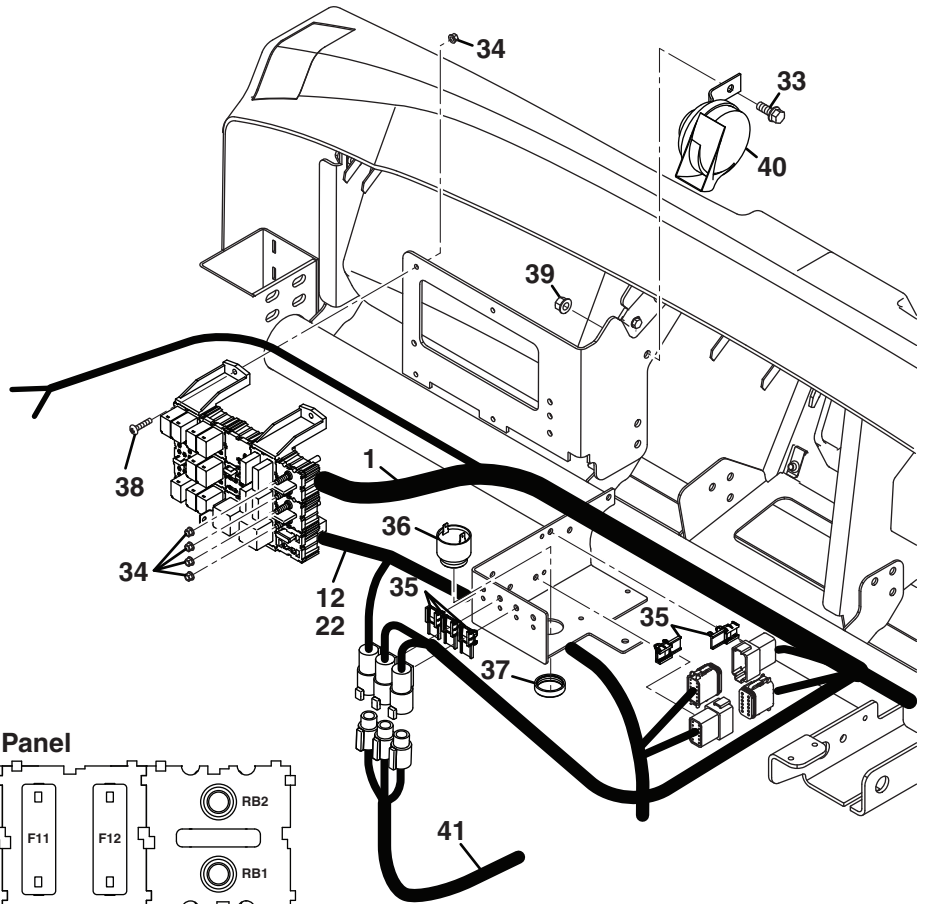
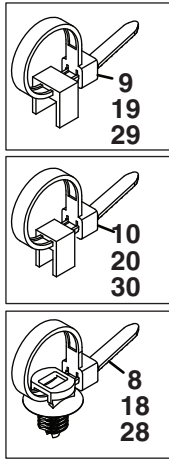
Hi-Lo Hydraulics Option



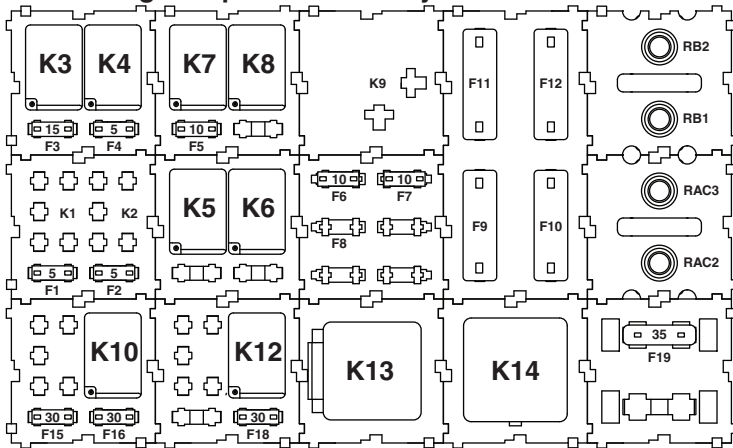
Item	Part No.	Qty.	Description
1	4316751	1	Tank, Hydraulic
2	340038	1	Fitting, -12 ORB x -16 ORFS 45°
	339900	1	• O-Ring, -12 ORB
	339913	1	• O-Ring, -16 ORFS
3	4365627	1	Hose, Pump Suction
4	4364986	1	Tube, Pump Suction
	339913	2	• O-Ring, -16 ORFS
5	831225	1	Clamp, 1" Tube
6	340077	1	Fitting, -16 ORB x -16 ORFS
	339901	1	• O-Ring, -16 ORB
	339913	1	• O-Ring, -16 ORFS
7	4346426	1	Pump, Two Section Gear
8	339988	1	Fitting, -10 ORB x -8 ORFS
	339899	1	• O-Ring, -10 ORB
	339910	1	• O-Ring, -8 ORFS
9	4343826	1	Tube, Pump to Hose Pressure
10	345666	1	Clamp, 1/2" Tube
11	4365626	1	Hose, Tube to Control Valve Pressure (Control Valve Port P)
12	4333131	1	Hose, Pump Feed
13	4346506	1	Valve, Hi-Lo Control
14	339984	3	Fitting, -8 ORB x -8 ORFS Straight
	339898	1	• O-Ring, -8 ORB
	339910	1	• O-Ring, -8 ORFS
15	4304776	1	Tube, Remote Hydraulics Pressure (Control Valve Port A)
16	364741	2	Clamp, Double 1/2" Tube
17	4304769	1	Tube, Remote Hydraulics Return (Control Valve Port B)
18	339985	1	Fitting, -8 ORB x -10 ORFS
	339898	1	• O-Ring, -8 ORB
	339911	1	• O-Ring, -10 ORFS
19	4316007	1	Tube, Control Valve to Oil Cooler (Control Valve Port T)
20	339990	2	Fitting, -12 ORB x -10 ORFS
	339900	1	• O-Ring, -12 ORB
	339911	1	• O-Ring, -10 ORFS
21	4315434	1	Cooler, Hydraulic Oil
22	4333391	1	Tube, Oil Cooler Return
	339911	1	• O-Ring, -10 ORFS
	339913	1	• O-Ring, -16 ORFS
23	4333666	1	Clamp, Double 5/8" Hose
24	REF	1	Quick Coupler Assembly
25	340011	2	Fitting, -16 ORB x -10 ORFS
	339913	1	• O-Ring, -16 ORB
	339911	1	• O-Ring, -10 ORFS
26	4274293	1	Filter, Return
27	4304684	1	Tube, Filter to Tank
28	340036	1	Fitting, -12 ORB x -12 ORFS 45°
	339900	1	• O-Ring, -12 ORB
	339912	1	• O-Ring, -12 ORFS
29	339996	1	Fitting, -16 ORB x -12 ORFS
	339901	1	• O-Ring, -16 ORB
	339912	1	• O-Ring, -12 ORFS

SPRAYTEK XP

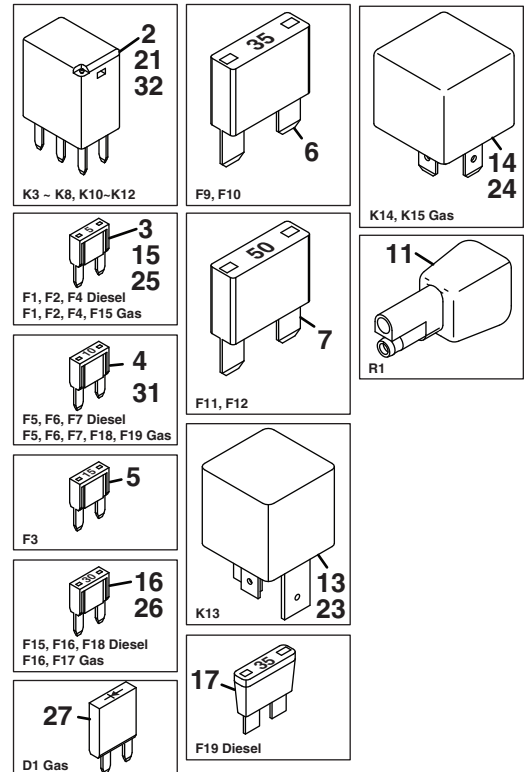
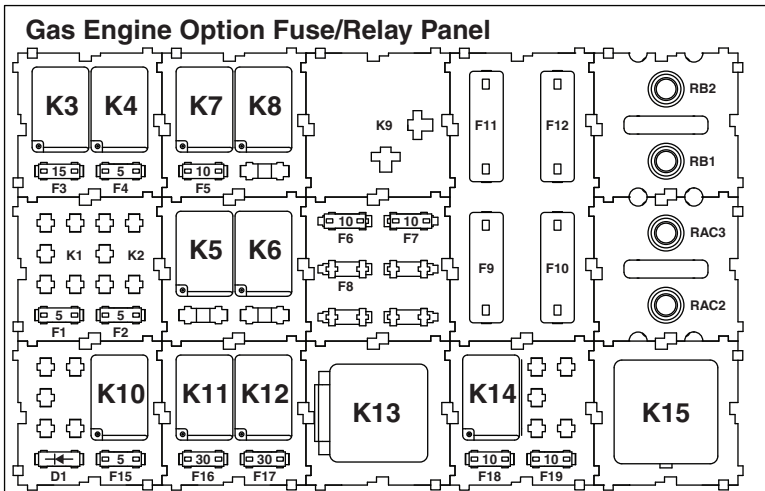
Fuse/Relay Panel



Diesel Engine Option Fuse/Relay Panel



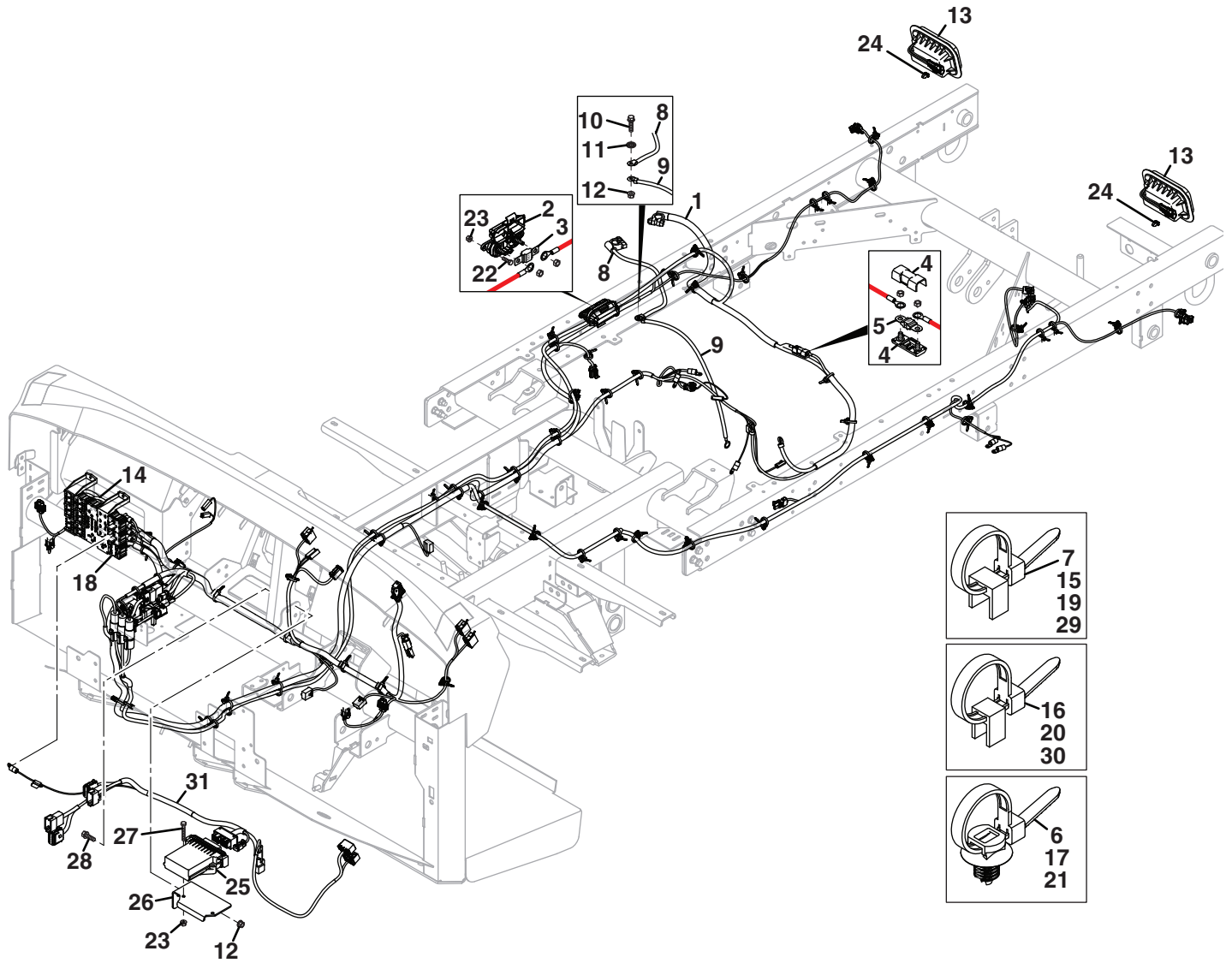
Gas Engine Option Fuse/Relay Panel



Item	Part No.	Qty.	Description
1	4294270	1	Harness, Main
	4329271	1	• 10 kΩ Resistor
2	4329751	6	• Relay, 12V, 35A, 280 Micro
3	4312215	3	• Fuse, 5 Amp Mini
4	4312213	3	• Fuse, 10 Amp Mini
5	4312246	1	• Fuse, 15 Amp Mini
6	4332388	2	• Fuse, 35 Amp Maxi
7	4220220	2	• Fuse, 50 Amp Maxi
8	4167640	6	• Cable Tie, Fir Tree
9	4316368	2	• Cable Tie, 1/8 to 1/4" Edge Clip
10	4316369	3	• Cable Tie, 1/32 to 1/8" Edge Clip
11	4329271	1	• Resistor, 10 kΩ
12	4395847	1	Harness, Diesel Engine Option
13	4221100	1	• Relay, 12V, 50 Amp, SPST
14	4193880	1	• Relay, 12V, 40 Amp SPDT
15	4312215	1	• Fuse, 5 Amp Mini
16	4312216	3	• Fuse, 30 Amp Mini
17	5003285	1	• Fuse, 35 Amp ATO
18	4167640	37	• Cable Tie, Fir Tree
19	4316368	5	• Cable Tie, 1/8 to 1/4" Edge Clip
20	4316369	2	• Cable Tie, 1/32 to 1/8" Edge Clip
21	4329751	2	• Relay, 12V, 35A, 280 Micro
22	4395846	1	Harness, Gas Engine Option
23	4221100	1	• Relay, 12V, 50 Amp, SPST
24	4193880	2	• Relay, 12V, 40 Amp SPDT
25	4312215	1	• Fuse, 5 Amp Mini
26	4312216	2	• Fuse, 30 Amp Mini
27	4312211	1	• Diode, 3 Amp
28	4167640	43	• Cable Tie, Fir Tree
29	4316368	3	• Cable Tie, 1/8 to 1/4" Edge Clip
30	4316369	5	• Cable Tie, 1/32 to 1/8" Edge Clip
31	4312213	2	• Fuse, 10 Amp Mini
32	4329751	3	• Relay, 12V, 35A, 280 Micro
33	548971J	1	Screw, 5/16-18 x 5/8" Hex Flange
34	800521	8	Nut, #10-24 Hex Flange
35	4314186	5	Clip, Connector Retention
36	4150539	1	Buzzer
37	N/S	1	• Ring Nut
38	403914J	4	Screw, #10-24 x 3/4" Truss Head
39	548911J	1	Nut, 5/16-18 Hex Flange
40	886425	1	Horn
41	4302494	1	Cable, Positive Battery

SPRAYTEK XP

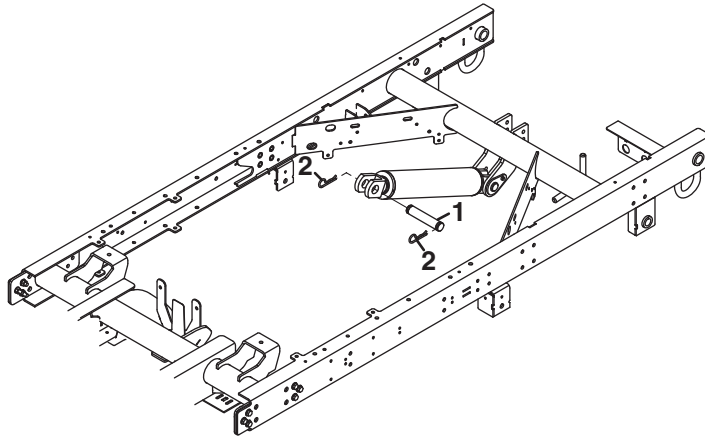
Harness Routing



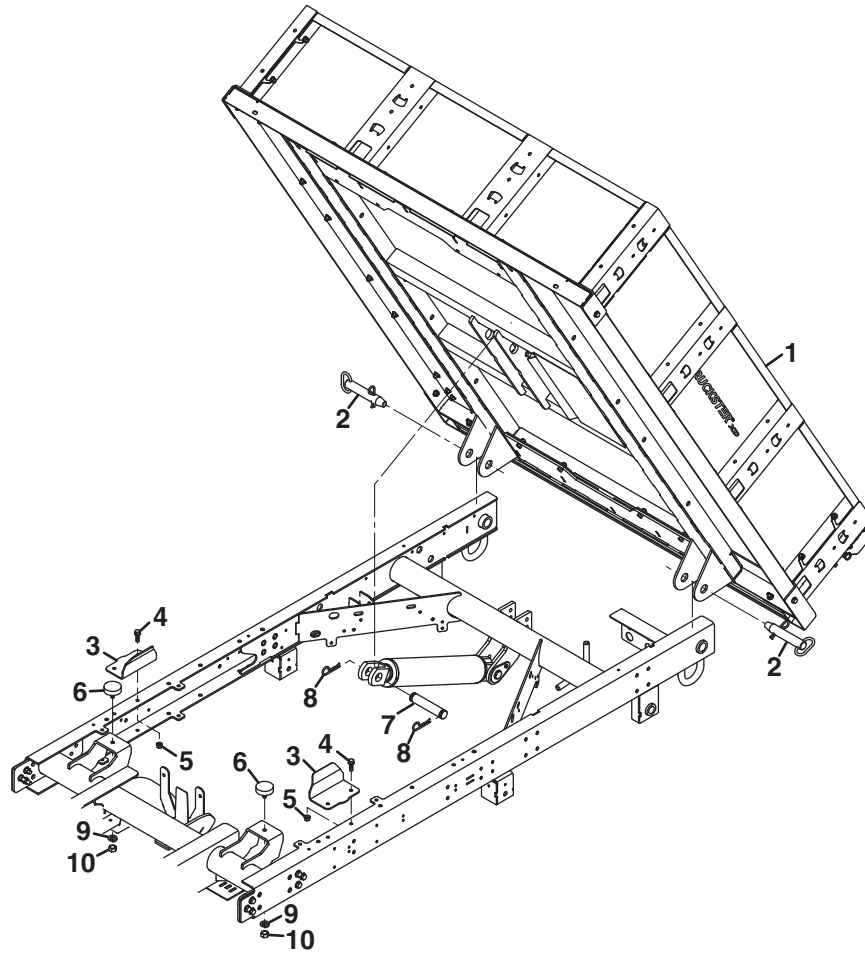
Item	Part No.	Qty.	Description
1	4302494	1	Positive Battery Cable
2	N/S	1	• Holder, Fuse
3	4317750	1	• Fuse, 175 Amp MIDI HD
4	4317748	1	• Holder, Fuse
5	4317749	1	• Fuse, 60 Amp MIDI SLO BLO
6	4167640	16	• Cable Tie, Fir Tree
7	4316368	3	• Cable Tie, 1/8 to 1/4" Edge Clip
8	4316867	1	Cable, Negative Battery
9	4271132	1	Cable, Engine Ground
10	548902J	1	Screw, 5/16-18 x 1" Hex Flange
11	447216	2	Lockwasher, 3/8" Internal Tooth
12	548911J	4	Nut, 5/16-18 Hex Flange
13	4304863	2	Tail Light
	822049	1	• Bulb, Tail Light
14	4294270	1	Harness, Main
15	4316368	2	• Cable Tie, 1/8 to 1/4" Edge Clip
16	4316369	4	• Cable Tie, 1/32 to 1/8" Edge Clip
17	4167640	5	• Cable Tie, Fir Tree
18	4395847	1	Harness, Diesel Engine Option
18	4395846	1	Harness, Gas Engine Option
19	4316368	5	• Cable Tie, 1/8 to 1/4" Edge Clip (Diesel)
19	4316368	3	• Cable Tie, 1/8 to 1/4" Edge Clip (Gas)
20	4316369	2	• Cable Tie, 1/32 to 1/8" Edge Clip (Diesel)
20	4316369	5	• Cable Tie, 1/32 to 1/8" Edge Clip (Gas)
21	4167640	35	• Cable Tie, Fir Tree (Diesel)
21	4167640	41	• Cable Tie, Fir Tree (Gas)
22	548045	2	Screw, 1/4-20 x 3/4" Hex Flange
23	548910J	4	Nut, 1/4-20 Hex Flange
24	4332986	2	Clip, Push On
25	4326352	1	Controller, Gas Cruise (Gas Speed Control Option)
26	4334929	1	Bracket, Gas Controller (Gas Speed Control Option)
27	400116	2	Screw, 1/4-20 x 1-1/2" Hex Head (Gas Speed Control Option)
28	400025	3	Screw, 5/16-18 x 7/8" Hex Flange (Gas Speed Control Option)
29	4316368	2	Cable Tie, 1/8 to 1/4" Edge Clip (Gas Speed Control Option)
30	4316369	2	Cable Tie, 1/32 to 1/8" Edge Clip (Gas Speed Control Option)
31	4326350	1	Harness, Gas Cruise (Gas Speed Control Option)
	4312215	1	• Fuse, 5 Amp Mini

SPRAYTEK XP

No Bed Option



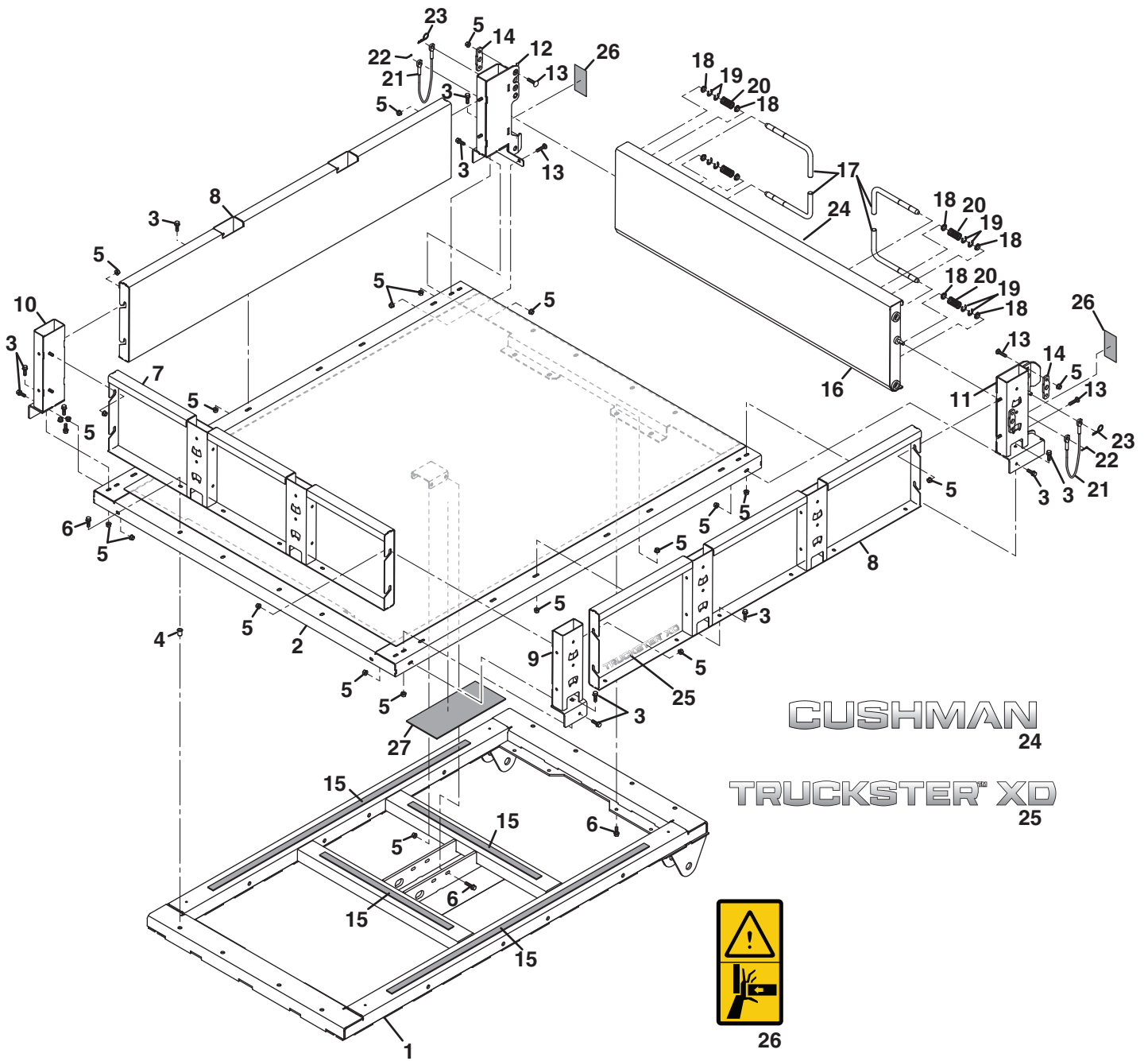
Item	Part No.	Qty.	Description
1	4316767	1	Pin, Cylinder
2	809265	2	Hair Pin, 2-11/16 x 3/4 x 5/32"



Item	Part No.	Qty.	Description
1	REF	1	Bed Assembly
2	882971	2	Pin, Disconnect
3	4308231	2	Keeper, Truck Bed
4	403751	4	Screw, 5/16-18 x 3/4" Hex Flange
5	548911	4	Nut, 5/16-18 Hex Flange
6	361723	2	Stop, Rubber
7	4316767	1	Pin, Cylinder
8	809265	2	Hair Pin, 2-11/16 x 3/4 x 5/32"
9	446142	2	Lockwasher, 3/8 Heavy
10	443110	2	Nut, 3/8-16 Hex

SPRAYTEK XP

Bed and Box Sides

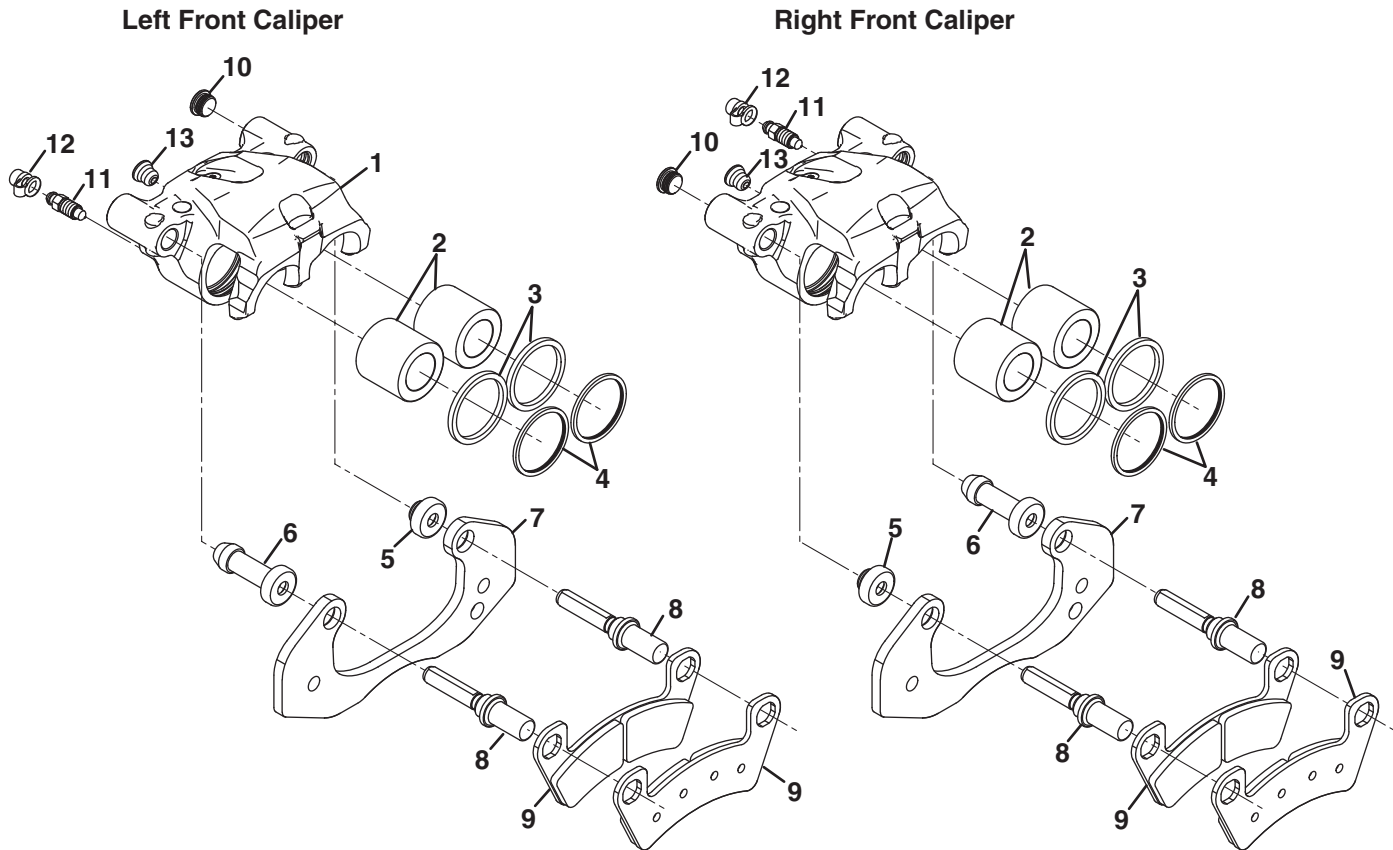


Item	Part No.	Qty.	Description
1	4316091	1	Support, Bed
2	4307056	1	Support, Bed
3	403751	24	Screw, 5/16-18 x 3/4" Hex Flange
4	400150	4	Nut, 5/16-18 Insert
5	548911	50	Nut, 5/16-18 Hex Flange
6	548902	12	Screw, 5/16-18 x 1" Hex Flange
7	4306821	1	Box Front
8	4306818	2	Box Side
9	4306876	1	Corner, Left Front
10	4306878	1	Corner, Right Front
11	4322786	1	Corner, Left Rear
12	4322792	1	Corner, Right Rear
13	440082	6	Carriage Bolt, 5/16-18 x 1"
14	4324748	2	Pin, Plate
15	359979	AR	Pad
16	4324666	1	Tailgate
17	4324670	4	Pin, Tailgate
18	4325486	8	Bushing, 5/8" Clip In
19	4324673	8	Retaining Ring, E-Clip
20	4324671	4	Spring, Tailgate
21	4317967	2	Cable, Tailgate
22	460026	2	Cotter Pin, 1/8 x 3/4"
23	460312	2	Hair Pin, 1-7/8 x 1/8 x 3/32"
24	671177	1	Decal, Cushman
25	671823	2	Decal, Truckster XD
26	845027	2	Decal, Pinch Point
27	4357946	1	Shield, Adhesive Heat

SPRAYTEK XP

Front Dual Piston Calipers

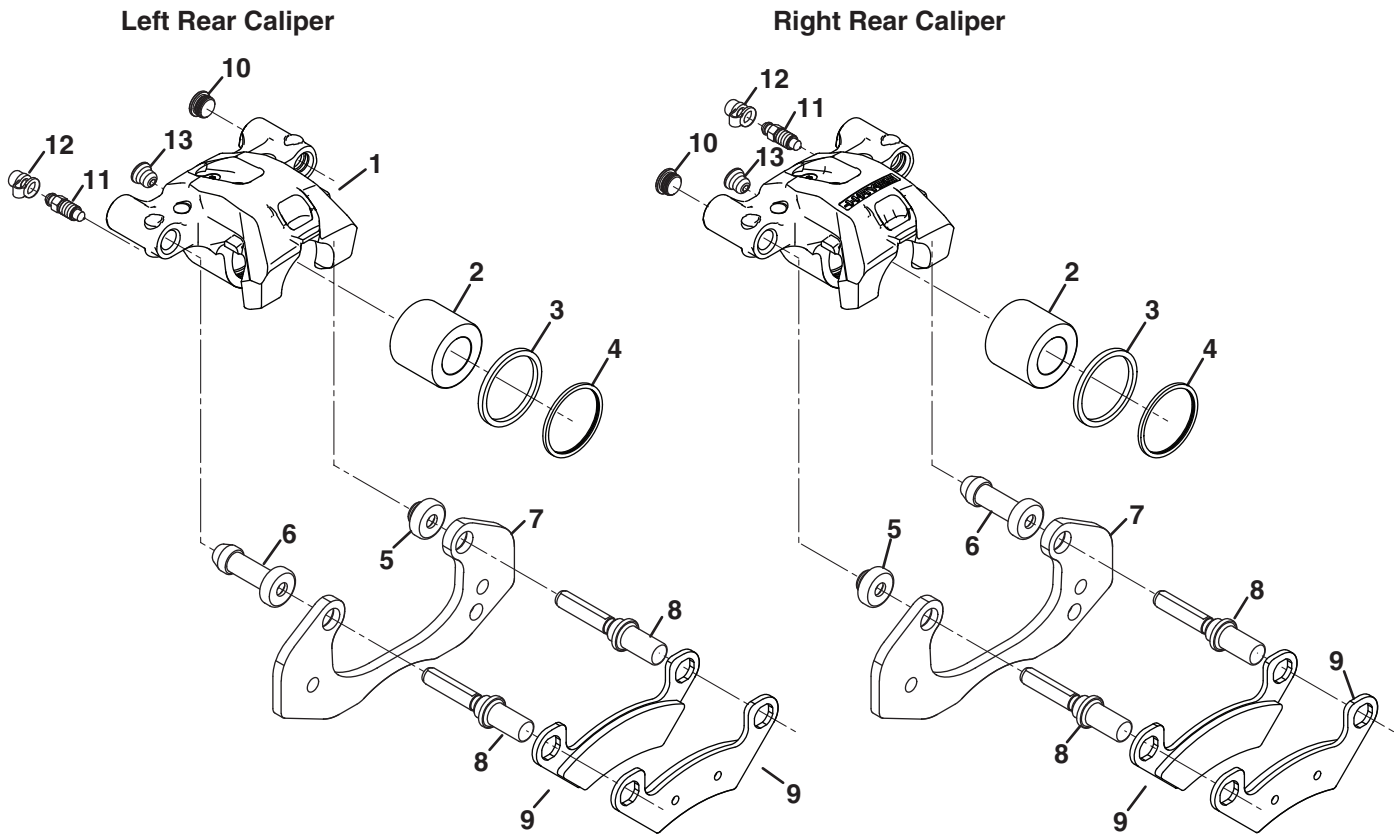
Part Number 4307716 (Left Side) and 4313706 (Right Side)



Item	Part No.	Qty.	Description
1	N/S	1	Housing, Caliper
2	N/S	2	Piston, 1-3/8
3	N/S	2	Seal, Square
4	N/S	2	Seal, 1-3/8" Wiper
5	N/S	1	Guide Hole Boot
6	N/S	1	Clearance Hole Boot
7	N/S	1	Bracket, Mounting
8	N/S	2	Pin, Caliper
9	4318729	2	Pad, Brake
10	N/S	1	Jaw Screw
	4318735	1	Kit, Bleeder and Cap
11	N/S	1	• Fitting, Bleeder Screw
12	N/S	1	• Cap, Bleeder
13	N/S	1	Cap Plug, Inlet

Rear Single Piston Caliper

Part Number 4313707 (Left Side) and 4309515 (Right Side)

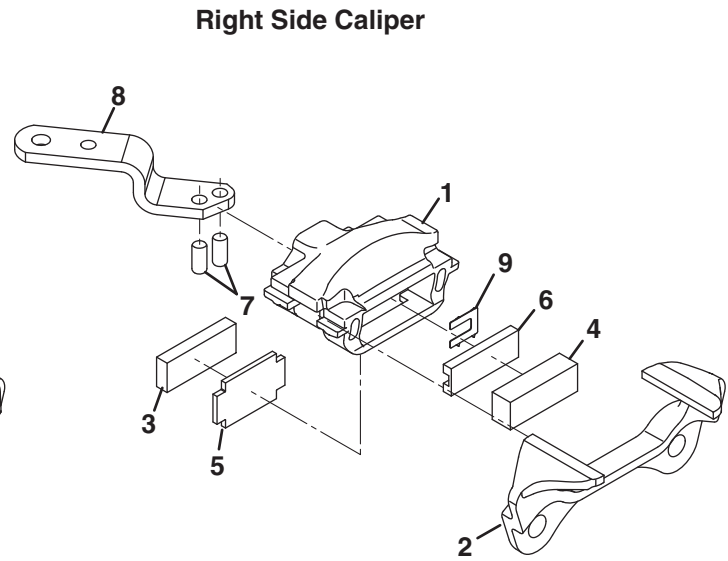
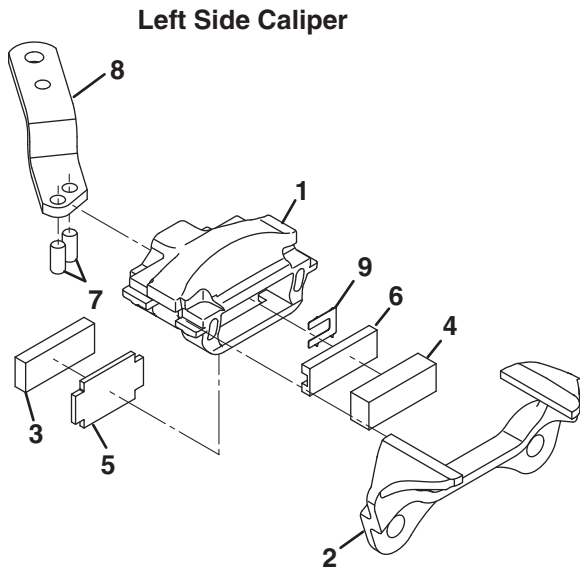


Item	Part No.	Qty.	Description
1	N/S	1	Housing, Caliper
2	N/S	1	Piston, 1-1/2"
3	N/S	1	Seal, Square
4	N/S	1	Seal, 1-1/2" Wiper
5	N/S	1	Guide Hole Boot
6	N/S	1	Clearance Hole Boot
7	N/S	1	Bracket, Mounting
8	N/S	2	Pin, Caliper
9	4318730	2	Pad, Brake
10	N/S	1	Jaw Screw
	4318735	1	Kit, Bleeder and Cap
11	N/S	1	• Fitting, Bleeder Screw
12	N/S	1	• Cap, Bleeder
13	N/S	1	Cap Plug, Inlet

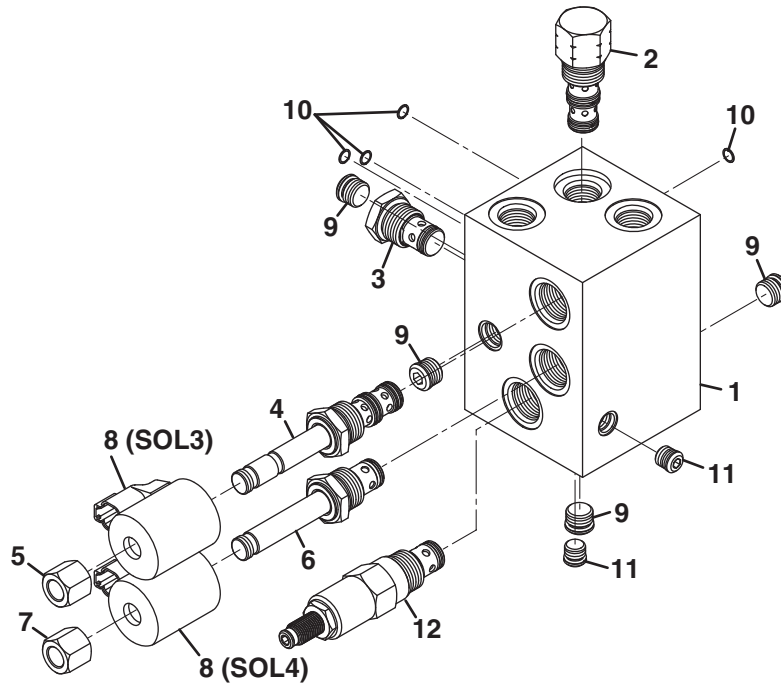
SPRAYTEK XP

Parking Brake Caliper

Part Number 4310731 (Left Side) and 4310746 (Right Side)



Item	Part No.	Qty.	Description
1	N/S	1	Housing, Parking Brake
2	4317652	1	Bracket, Mounting
	4317653	1	Brake Pad Service Kit
	503660	1	• Brake Pads
3	N/S	1	• • Bracket Side Pad
4	N/S	1	• • Lever Side Pad
5	557824	1	• Support, Bracket Side Pad
6	N/S	1	• Support, Lever Side Pad
7	557823	2	Pivot Pin
8	N/S	1	Lever, Cam
9	N/S	1	Spring, Lever Retainer

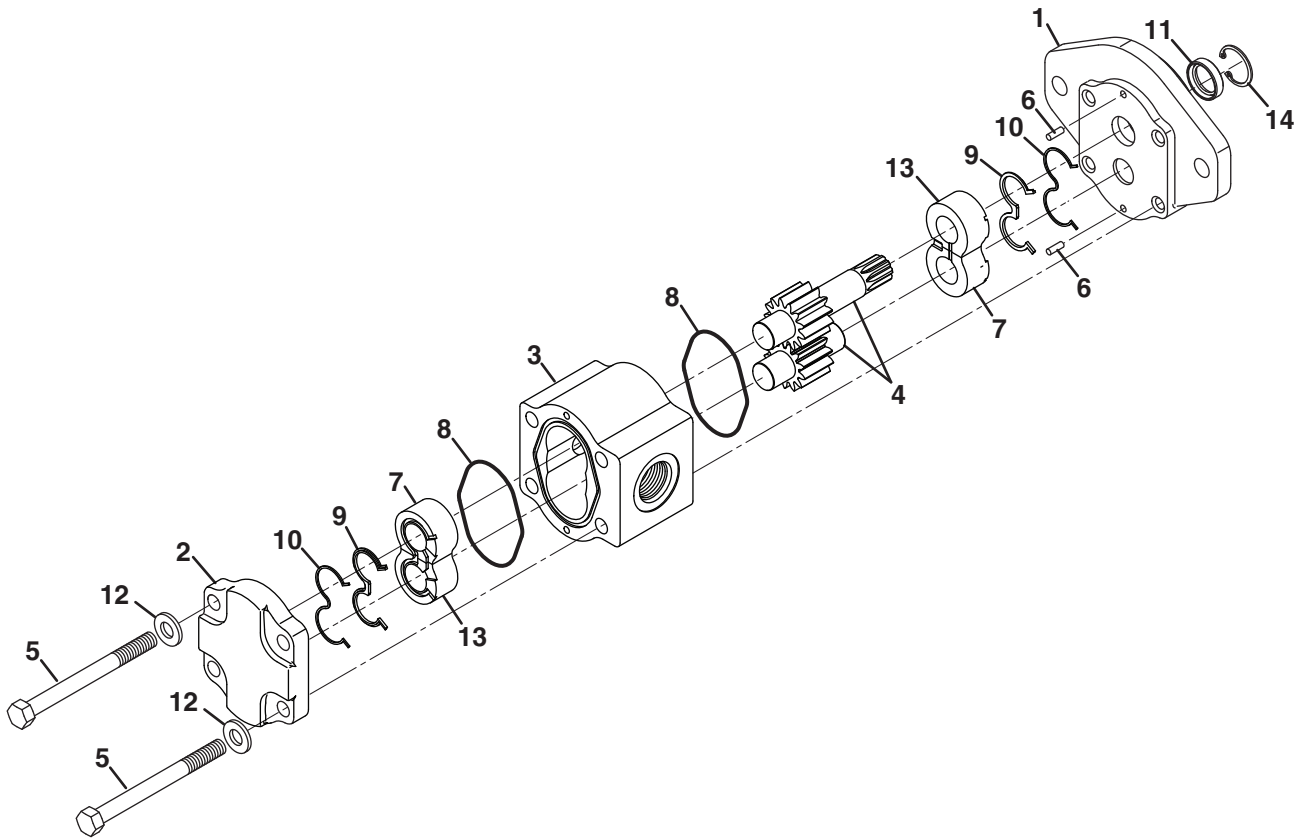


Item	Part No.	Qty.	Description
1	N/S	1	Block, Control Valve
2	4380386	1	5 GPM Flow Regulator
	4380392	1	• Seal Kit
3	4380387	1	Check Valve
	4380393	1	• Seal Kit
4	4380388	1	Solenoid Valve, 3-Way, 2 Position
	4380394	1	• Seal Kit
5	N/S	1	• Nut, Coil
6	4380389	1	Solenoid Valve, Poppet Type NO
	4380395	1	• Seal Kit
7	N/S	1	• Nut, Coil
8	4380390	2	Coil
9	N/S	4	Plug, Zero-Leak Gold
10	N/S	4	Plug, Expander
11	N/S	2	Plug, Zero-Leak Gold
12	4380391	1	Relief Valve, 2500 psi
	4380396	1	• Seal Kit

SPRAYTEK XP

Single Section Gear Pump

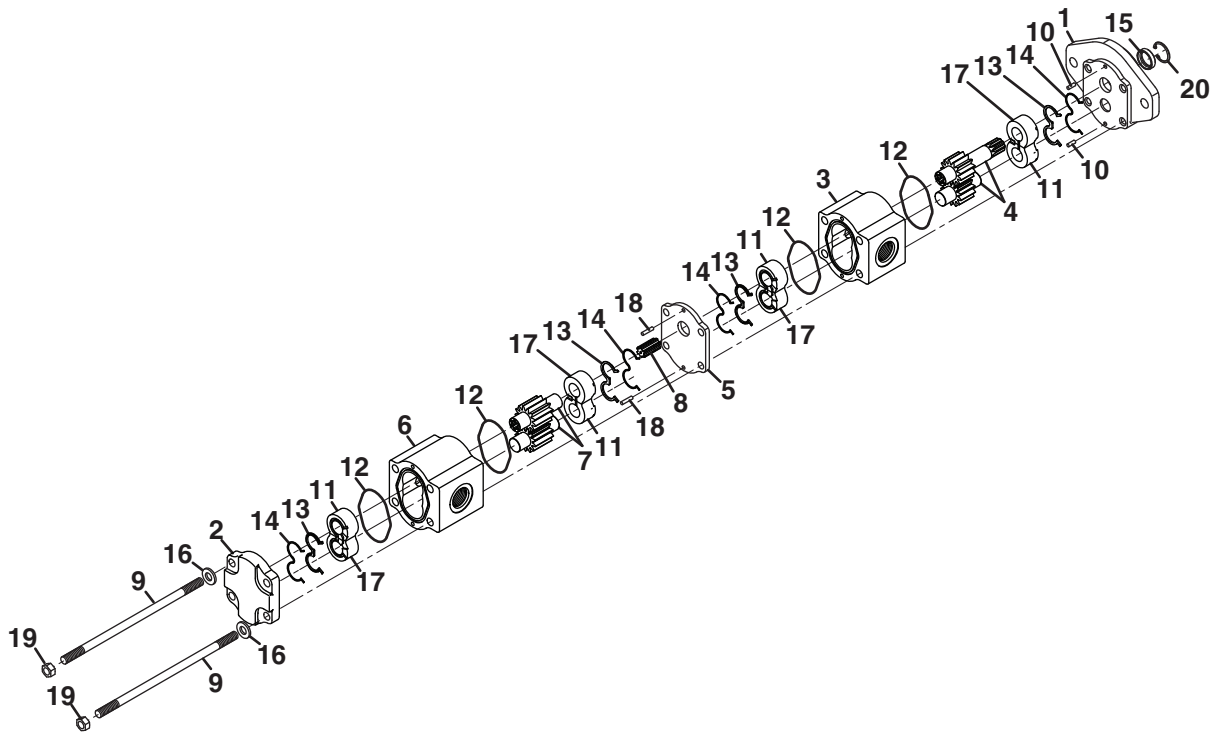
Part Number 4346446



Item	Part No.	Qty.	Description
1	N/S	1	Housing, Front
2	N/S	1	Housing, Rear
3	N/S	1	Housing, Gear
4	N/S	1	Set, 0.37 in ³ Gearshaft
5	N/S	2	Cap Screw, 80mm
6	N/S	2	Pin, Dowel
7	N/S	2	Thrust Bushing Block
	4380397	1	Seal Kit
8	N/S	2	• Seal, O-Ring Section
9	N/S	2	• Seal, Channel
10	N/S	2	• Seal Back-Up
11	N/S	1	• Seal, Inner Lip
12	N/S	4	Washer
13	N/S	2	Thrust Bushing Block
14	N/S	1	Snap Ring

Two Section Gear Pump

Part Number 4346426

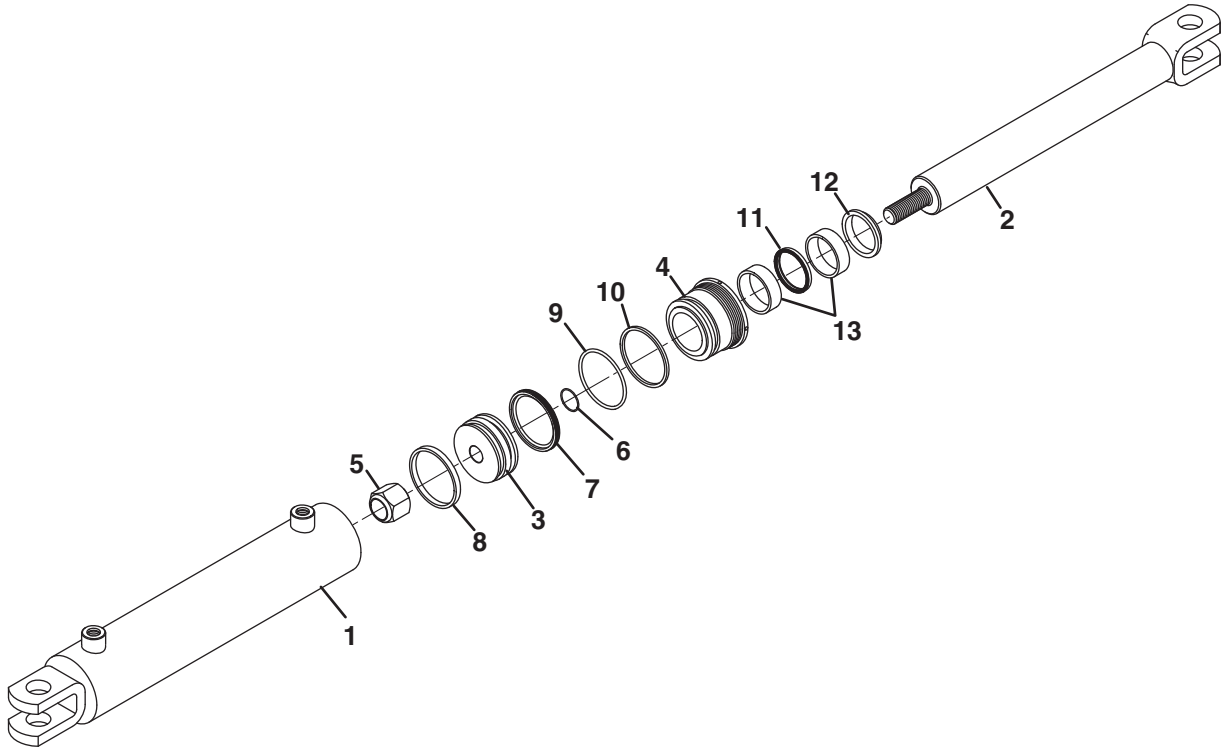


Item	Part No.	Qty.	Description
1	N/S	1	Housing, Front
2	N/S	1	Housing, Rear
3	N/S	1	Housing, Gear
4	N/S	1	Set, 0.43 in ³ Gearshaft
5	N/S	1	Plate
6	N/S	1	Housing, Gear
7	N/S	1	Set, 0.67 in ³ Gearshaft
8	N/S	1	Shaft, Connector
9	N/S	4	Stud, 160mm
10	N/S	2	Pin, Dowel
11	N/S	4	Thrust Bushing Block
	4380398	1	Seal Kit
12	N/S	4	• Seal, O-Ring Section
13	N/S	4	• Seal, Channel
14	N/S	4	• Seal Back-Up
15	N/S	1	• Seal, Inner Lip
16	N/S	4	Washer
17	N/S	4	Thrust Bushing Block
18	N/S	2	Pin, Dowel
19	N/S	4	Nut
20	N/S	1	Snap Ring

SPRAYTEK XP

Accessory Cylinder

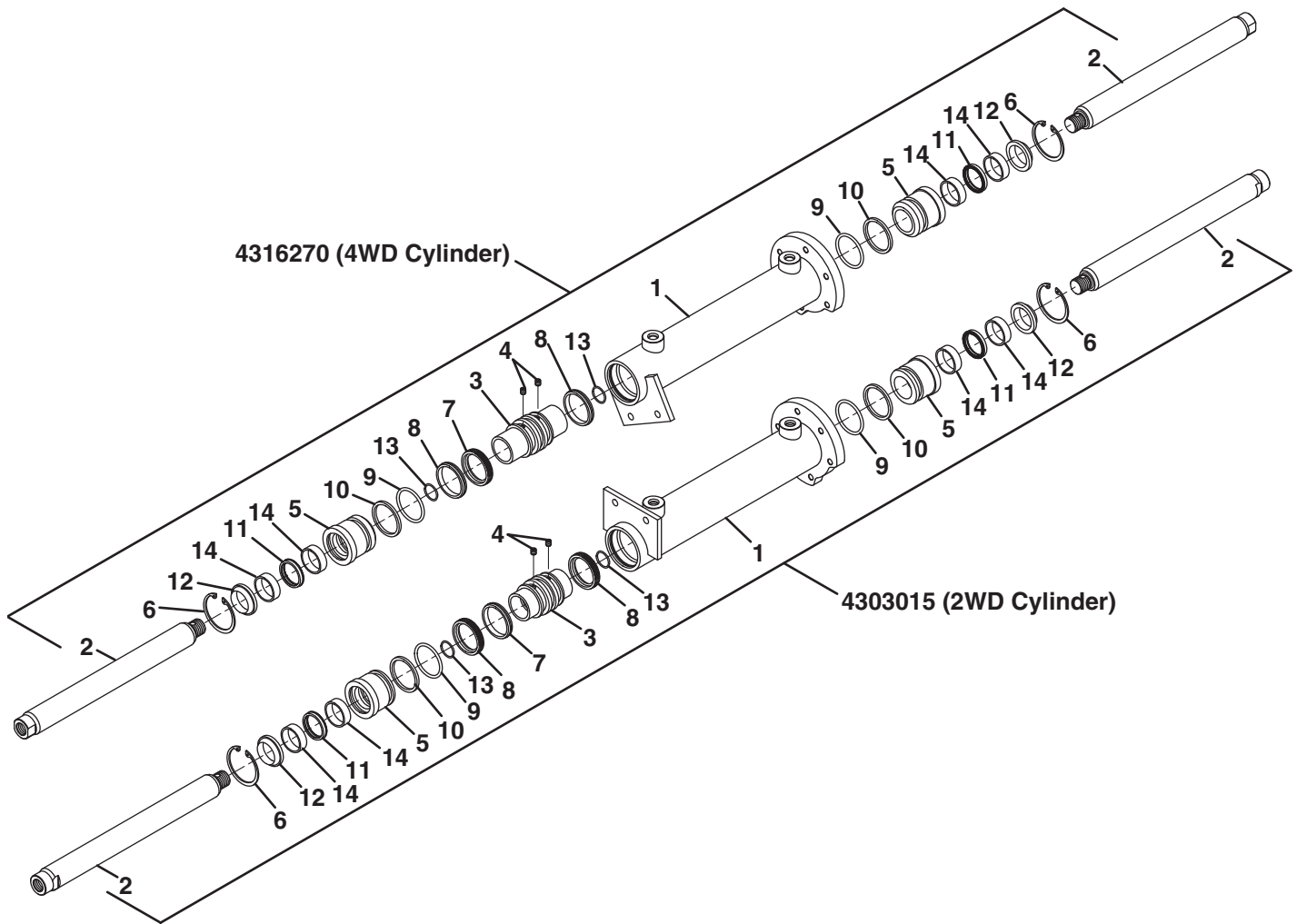
Part Number 4314366



Item	Part No.	Qty.	Description
1	N/S	1	Body, Cylinder
2	N/S	1	Shaft, Cylinder
3	N/S	1	Piston, Cylinder
4	N/S	1	Gland, Threaded
5	N/S	1	Nut
	4329200	1	Seal Kit (Includes items 6 - 13)
6	N/S	1	• O-Ring
7	N/S	1	• Seal, Piston
8	N/S	1	• Wear Ring
9	N/S	1	• Seal, Gland
10	N/S	1	• Backup Ring
11	N/S	1	• Seal, Shaft
12	N/S	1	• Wiper, Shaft
13	N/S	2	• Wear Ring, Shaft

Steering Cylinders

Part Numbers 4303015 and 4316270

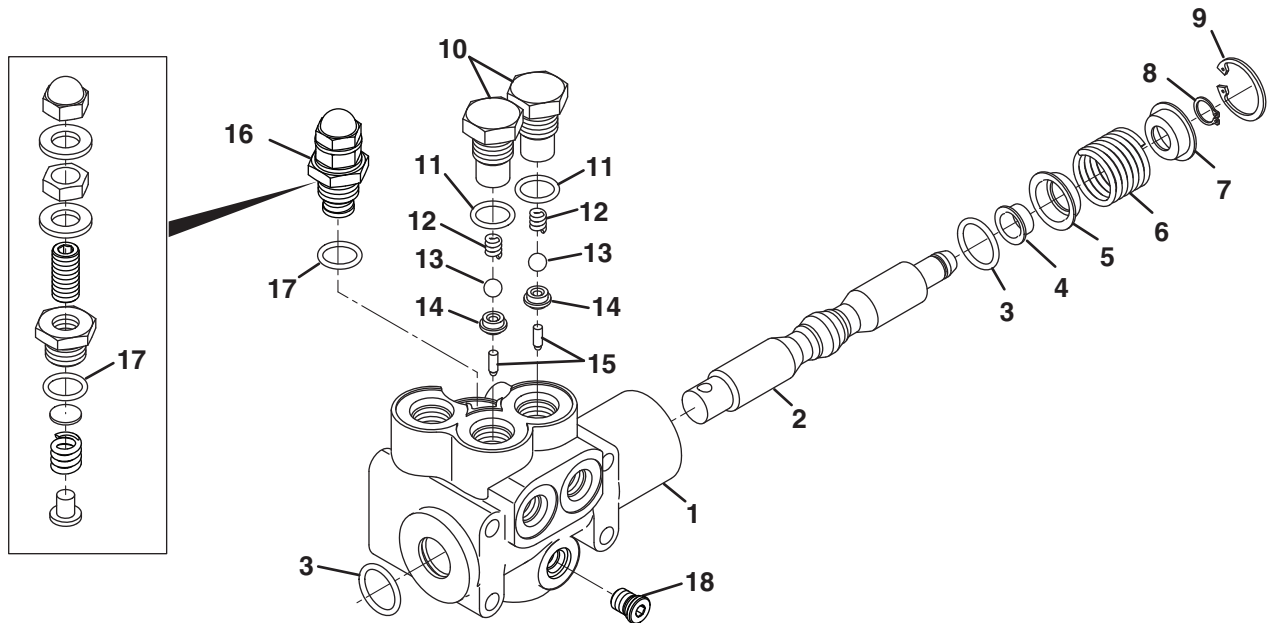


Item	Part No.	Qty.	Description
1	N/S	1	Body, Cylinder
2	N/S	2	Shaft, Cylinder
3	N/S	1	Piston, Cylinder
4	N/S	4	Set Screws
5	N/S	2	Gland, Snap Ring
6	N/S	2	Snap Ring
	4329207	1	Seal Kit (Includes items 7 - 14)
7	N/S	1	• Seal, Piston
8	N/S	2	• Wear Ring
9	N/S	2	• O-Ring, Gland
10	N/S	2	• Backup Ring
11	N/S	2	• Seal, Shaft
12	N/S	2	• Wiper, Shaft
13	N/S	2	• O-Ring
14	N/S	4	• Wear Ring, Shaft

SPRAYTEK XP

Lift Valve

Part Number 886270

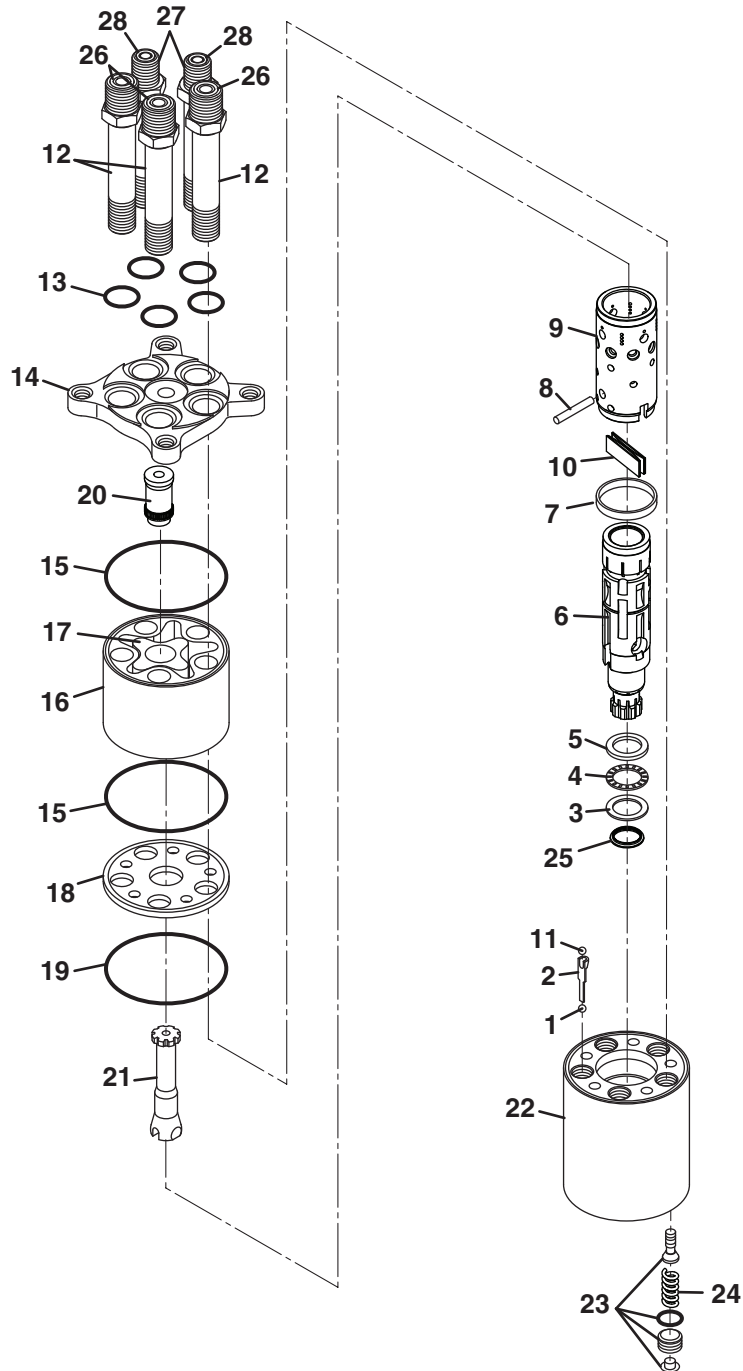


Item	Part No.	Qty.	Description
1	N/S	1	Body, Lift Valve
2	N/S	1	Spool, Valve
3	N/S	2	O-Ring, Spool
4	N/S	1	Seat, Spool
5	N/S	1	Spring Retainer
6	N/S	1	Spring, Compression
7	N/S	1	Seat
8	N/S	1	Spool Retaining Ring
9	N/S	1	Seat Retaining Ring
10	N/S	2	Plug, Check Valve
11	339897	2	O-Ring, -6 ORB
12	N/S	2	Spring, Check Valve
13	N/S	2	Ball, Check Valve
14	N/S	2	Seat, Check Valve
15	N/S	2	Spool Cam Pin
16	N/S	1	Relief Valve (1800 psi (124 BAR))
17	339897	1	O-Ring, -6 ORB
18	N/S	1	Plug, Body
	884599	1	Seal Kit (Includes item 3)

SPRAYTEK XP

Steering Valve

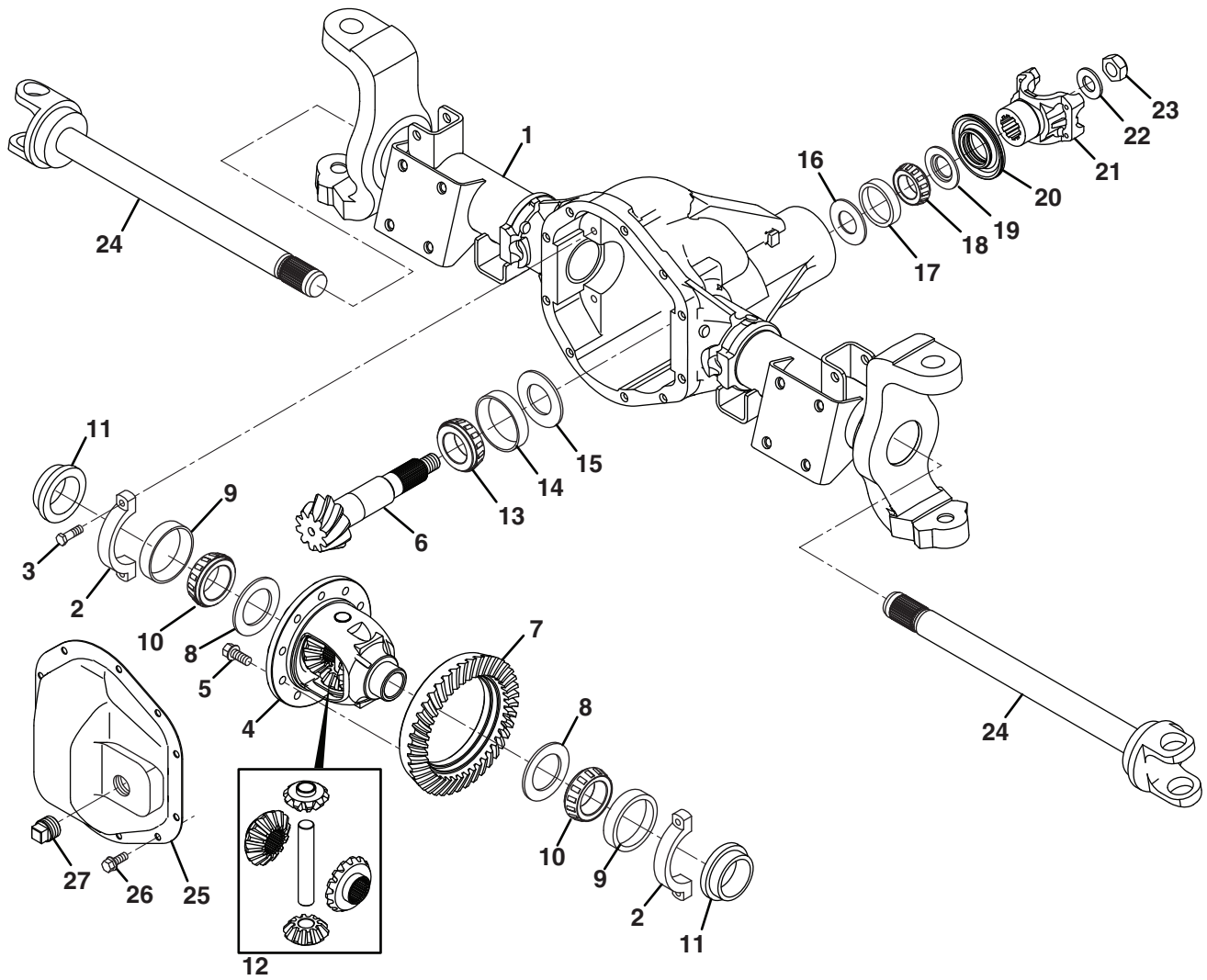
Part No. 4303996



Item	Part No.	Qty.	Description
1	N/S	1	Ball, Emergency Steering
2	N/S	1	Stop, Ball
3	N/S	1	Thin Bearing Race
4	N/S	1	Bearing
5	N/S	1	Thick Bearing Race
6	N/S	1	Spool
7	N/S	1	Spring Retaining Ring
8	N/S	1	Cross Pin
9	N/S	1	Sleeve
10	N/S	1	Set, Spring
11	N/S	1	Check Valve, Ball
12	N/S	3	Screw, -6 ORFS Special
13	N/S	5	O-Ring
14	N/S	1	End Cover
15	N/S	2	O-Ring
16	N/S	1	Rim, Gearwheel
17	N/S	1	Gearwheel
18	N/S	1	Distributor Plate
19	N/S	1	O-Ring
20	N/S	1	Spacer
21	N/S	1	Cardan Shaft
22	N/S	1	Housing
23	N/S	1	Relief Valve
24	N/S	1	Spring, Relief Valve
25	N/S	1	Seal, Shaft
26	339909	3	O-Ring, -6 ORFS
27	N/S	2	Screw, -4 ORFS Special
28	339908	2	O-Ring, -4 ORFS
	4197940	1	Seal Kit (Includes items 13, 15, 19, 25)

SPRAYTEK XP

Front Axle Breakdown

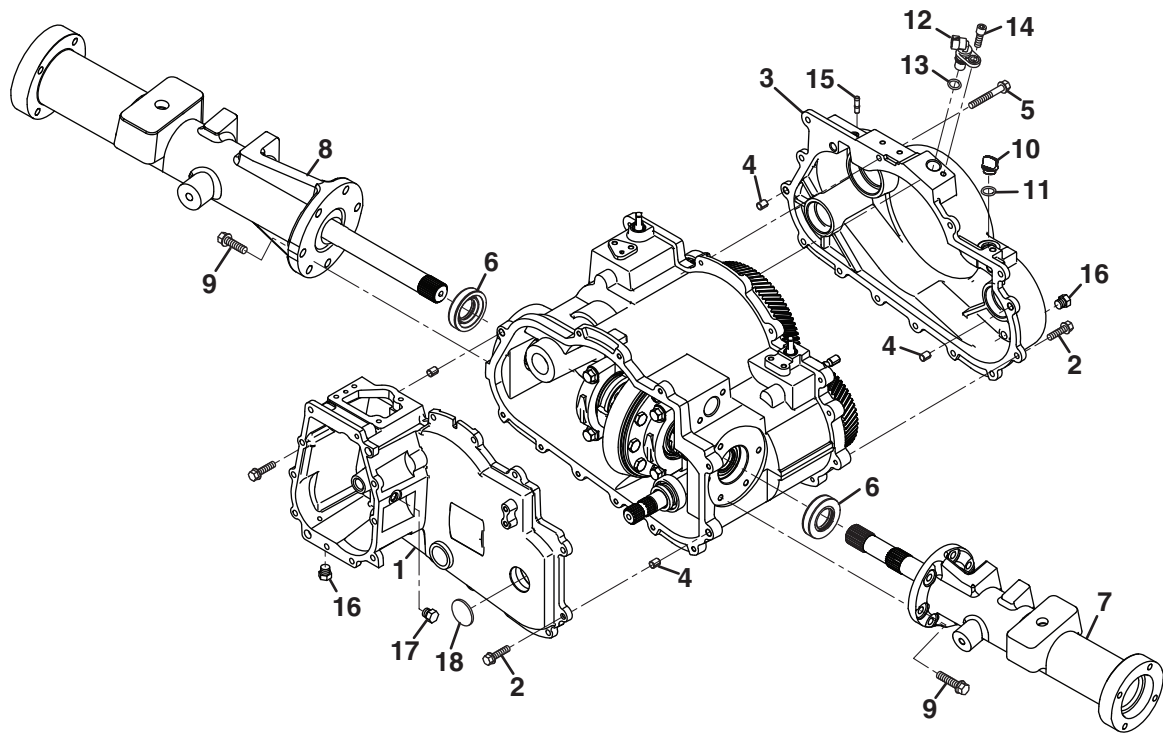


Item	Part No.	Qty.	Description
1	4358426	1	Front Axle
2	N/S	2	Cap, Bearing
3	N/S	2	Screw, Bearing Cap
4	4321306	1	Carrier, Differential
5	4321346	10	Screw, 3/8-24 x 7/8" Hex Flange
	4321247	1	Set, Ring and Pinion Gear
6	N/S	1	• Gear, Pinion
7	N/S	1	• Gear, Ring
8	4321375	1	Kit, Carrier Shim
9	4321367	2	Race, Carrier Bearing
10	4321366	2	Bearing, Carrier
11	4321046	2	Seal, Axle Shaft
12	4321307	1	Gear Set, Differential Spider
13	4321368	1	Bearing, Inner Pinion
14	4321369	1	Race, Inner Pinion Bearing
15	4321376	1	Kit, Pinion Depth Shim
16	4321377	1	Kit, Pinion Preload Shim
17	4321371	1	Race, Outer Pinion Bearing
18	4321370	1	Bearing, Outer Pinion
19	4321374	1	Baffle, Outer
20	4321286	1	Seal, Pinion
21	4321252	1	Yoke
22	4321251	1	Washer, Pinion
23	4321250	1	Nut, 3/4-16 Crimp
24	4317586	2	Shaft, Axle
25	4321086	1	Cover, Transfer Case
26	4321186	10	Screw, 5/16-18 x 5/8" Hex Flange
27	4321087	1	Plug, Drain
28	836852	1	Breather
29	4321347	1	Kit, Master Bearing (Includes items 8-10, 13-18, 20, 22, 23)
30	4330932	1	Kit, Pinion Seal (Includes 20, 22, 23)

SPRAYTEK XP

Front and Rear Axle Cover

Rear Axle Part No. 4395476 and 4395475

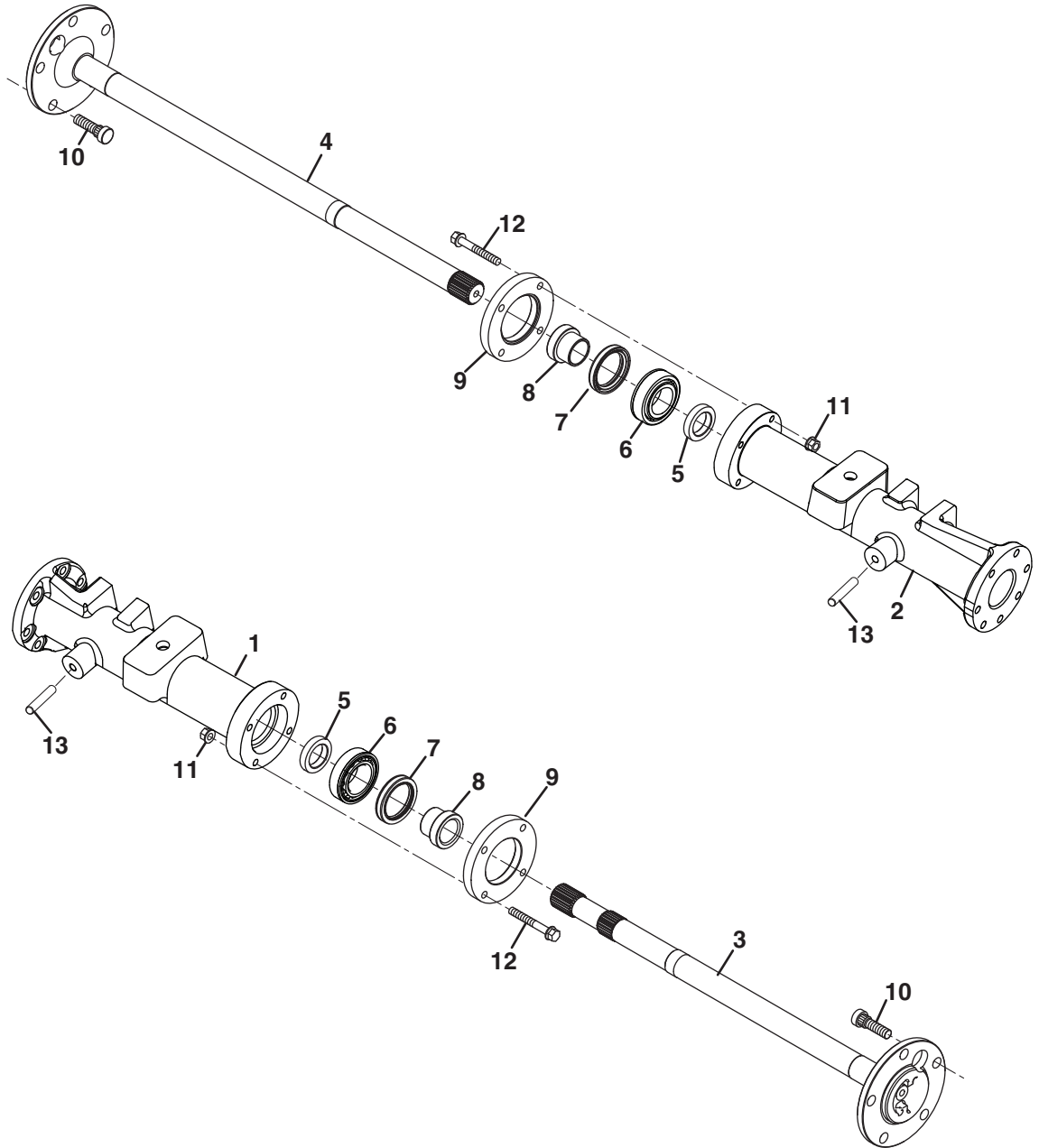


Item	Part No.	Qty.	Description
1	4397467	1	Cover, Front
2	4332629	25	Screw, 5/16-18 x 1-1/8" Hex Flange
3	4397637	1	Cover, Rear
4	4332752	4	Dowel, Alignment
5	4332628	1	Screw, 5/16-18 x 2-1/8" Hex Flange
6	4332749	2	Seal, 30 mm x 57 mm Axle Shaft
7	REF	1	Left Side Axle Assembly
8	REF	1	Right Side Axle Assembly
9	4332750	12	Screw, 3/8 x 1-1/8" Hex Flange
10	4397687	1	Plug, Finger Grip
11	339898	1	• O-Ring, -8 ORB
12	4326371	1	Sensor, Speed
13	4332652	1	O-Ring
14	4332651	1	Screw, 5/16-18 x 3/4" Hex Socket
15	4332649	1	Tube, Vent
16	4332627	2	Plug, 1/2-20 Magnetic Drain
17	4332630	1	Plug, 1/2-20 Hex Head
18	N/S	1	Plug (4395475, 2WD Axle Only)

SPRAYTEK XP

Axle Shafts

Rear Axle Part No. 4395476 and 4395475

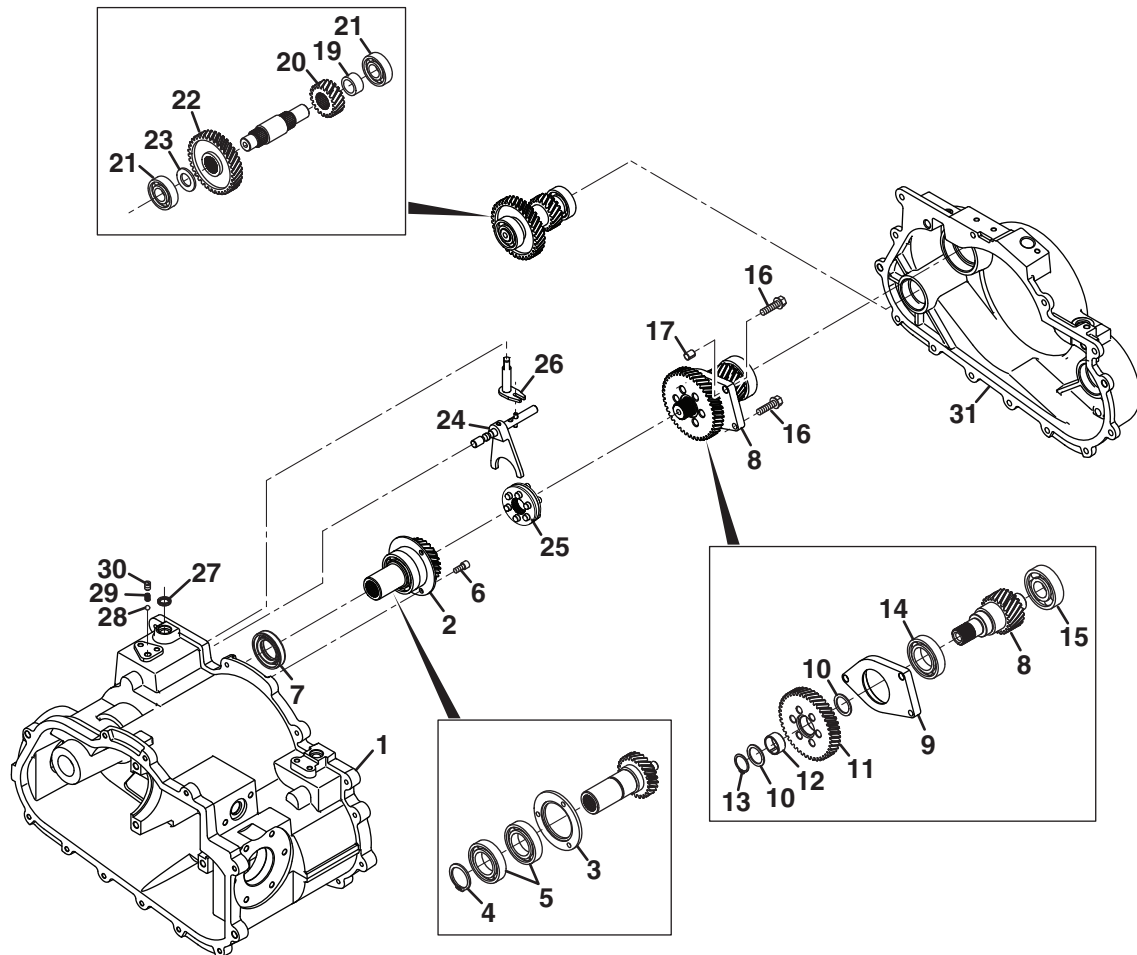


Item	Part No.	Qty.	Description
1	4397707	1	Tube, Left Side Axle
2	4397708	1	Tube, Right Side Axle
3	4332728	1	Shaft, Left Side Axle
4	4332729	1	Shaft, Right Side Axle
	4346490	1	• Axle Shaft Bearing and Seal Kit
5	4346490	1	• • Retaining Ring
6	4346491	1	• • Tapered Bearing Assembly
7	4346495	1	• • Seal, Outer Shaft
8	N/S	1	• Bushing, Shaft
9	N/S	1	• Cover, Shaft
10	N/S	5	• Wheel Bolt, 1/2-20
11	4332751	8	Nut, 5/16-18 Hex Flange
12	4332628	8	Screw, 5/16-18 x 2-1/8" Hex Flange
13	4397688	2	Shock Mount Stud

SPRAYTEK XP

Input Shaft

Rear Axle Part No. 4395476 and 4395475

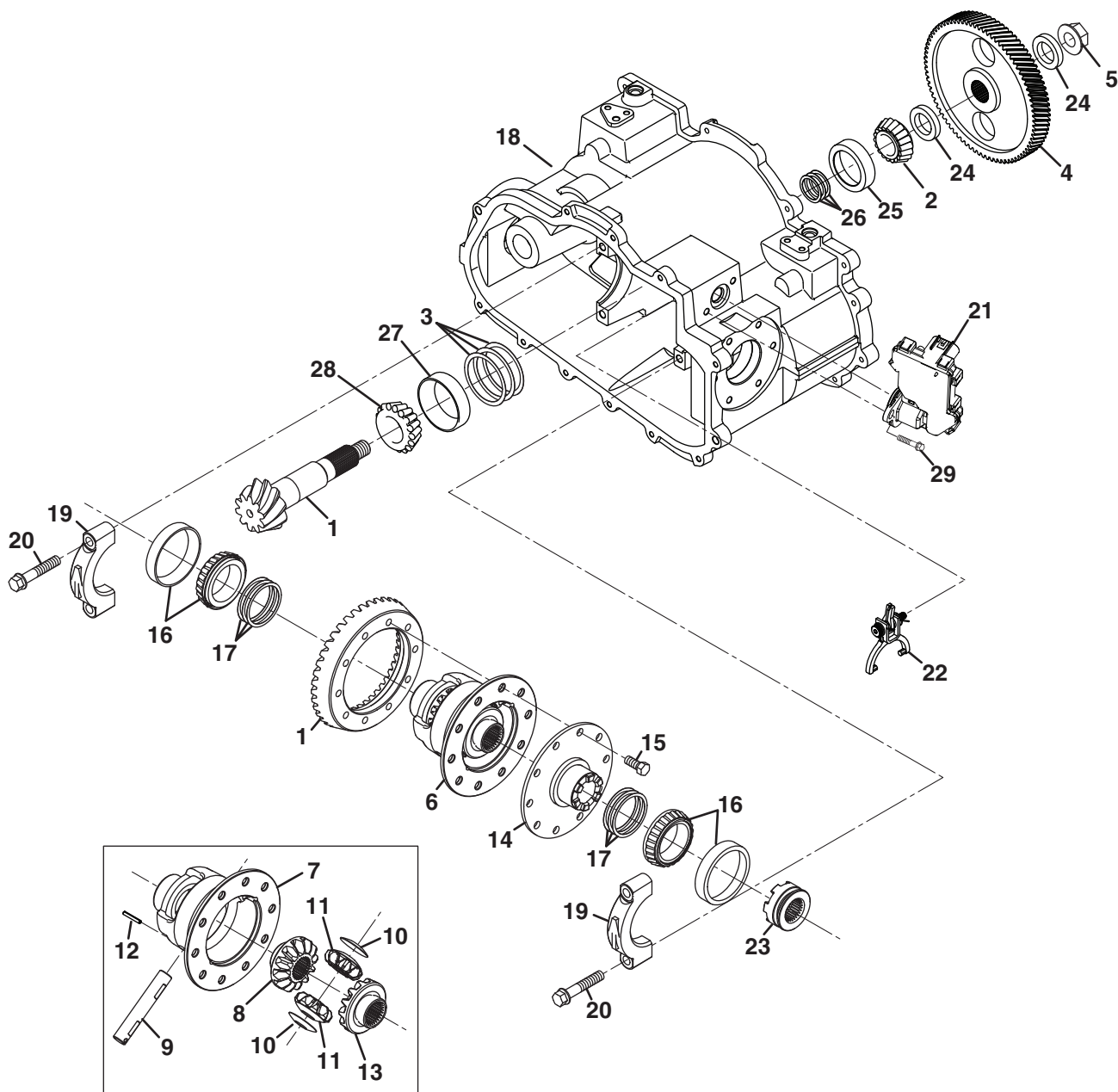


Item	Part No.	Qty.	Description
1	4397709	1	Housing, Carrier
2	4397631	1	Assembly, Input Shaft
3	N/S	1	• Plate, Input Shaft Retainer
4	N/S	1	• Retaining Ring
5	N/S	2	• Bearing, Ball
6	4332686	3	Screw, 1/4-20 x 1/2" Hex Socket
7	4332709	1	Seal, 35 mm x 55 mm Input Shaft
8	4397632	1	Assembly, Idler & Intermediate Shaft (Includes Items 9 - 15 and 19 - 23)
9	N/S	1	• Retainer, Hi/Lo Shaft
10	N/S	2	• Washer, Shaft
11	N/S	1	• Gear, 42 Tooth Low Speed
12	N/S	1	• Bushing
13	N/S	1	• Retaining Ring
14	N/S	1	• Bearing, Ball
15	N/S	1	• Bearing, Ball
16	4332629	3	Screw, 5/16 x 1-1/8" Hex Flange
17	4332752	2	Pin, Alignment
18			
19	N/S	1	• Spacer
20	N/S	1	• Gear, 20 Tooth
21	4332653	2	• Bearing, Ball
22	N/S	1	• Gear, 35 Tooth
23	N/S	1	• Spacer, Shaft
24	4332661	1	Shaft, Hi/Lo Detent
25	4397686	1	Clutch, Shifting
26	4332753	1	Shaft, Hi/Lo Shift
27	4332610	1	Seal, 12 mm x 0.718" Shaft
28	4332607	1	Ball, 5/16" Detent
29	4332608	1	Spring, Detent
30	4332609	1	Set Screw
31	4397637	1	Cover, Rear

SPRAYTEK XP

Differential

Rear Axle Part No. 4395476 and 4395475

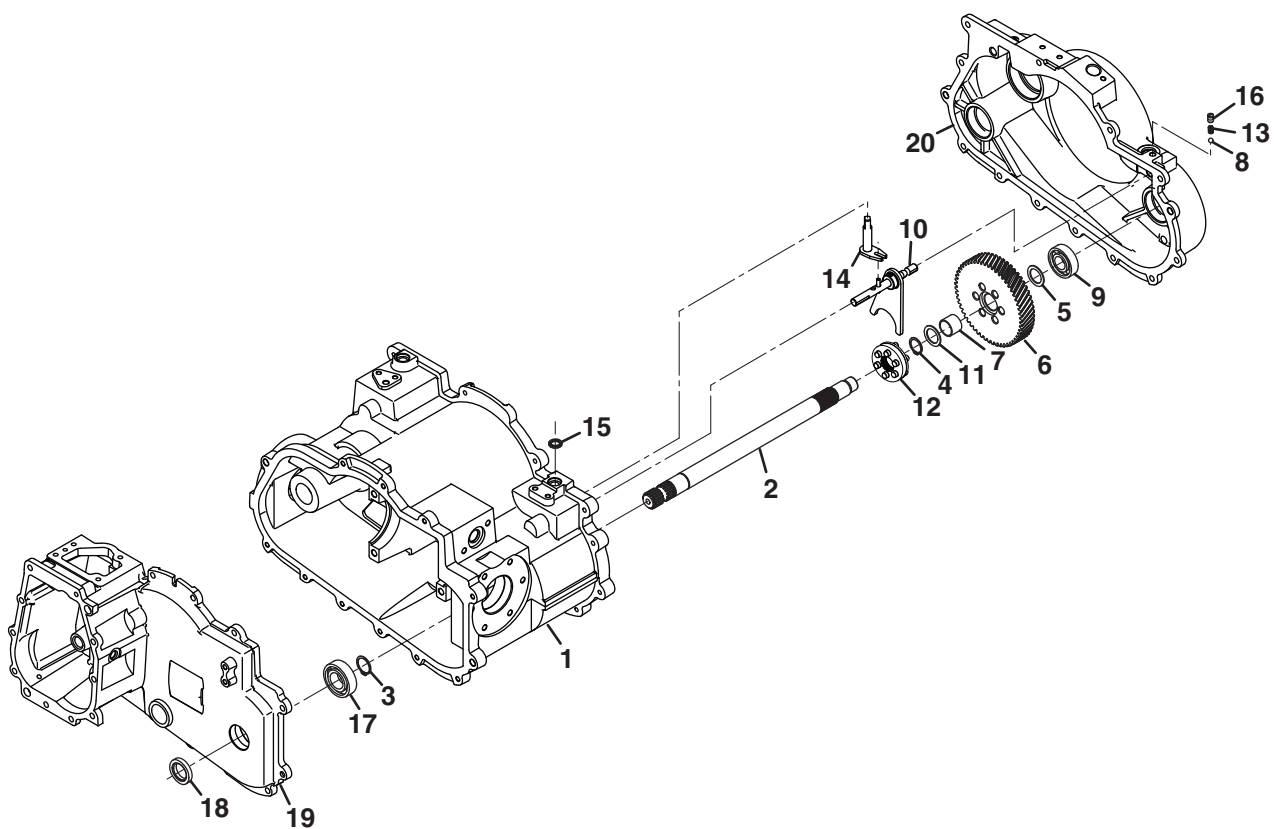


Item	Part No.	Qty.	Description
1	4332762	1	Gear Set, Gear and Pinion
2	4332663	1	Bearing, Cone
3	4392639	1	Shim Pack, Pinion
4	4332666	1	Gear, 80 Tooth
5	4332664	1	Nut, 3/4 Hex Flange
6	4332761	1	Differential Assembly
7	N/S	1	• Housing, Differential
8	4332760	1	• Gear, Differential Side
9	N/S	1	• Shaft, Pinion
10	N/S	2	• Cup, Pinion
11	N/S	2	• Gear, Pinion
12	N/S	1	• Roll Pin
13	4332760	1	Gear, Differential Side
14	4332759	1	Flange, Differential Half
15	4332758	10	Screw, 3/8 x 3/4"
16	4332757	2	Bearing, Cup and Cone
17	4392637	2	Shim Pack
18	4397709	1	Housing, Carrier
19	N/S	2	• Cap, Bearing
20	N/S	4	• Screw, 7/16 x 2-1/4" Hex Flange
21	4397706	1	Actuator, Disconnect
22	4332755	1	Differential Lock Assembly
23	4332756	1	Clutch, Differential Lock
24	4332665	2	Spacer, Gear
25	4332727	1	Bearing, Cup
26	4292638	1	Shim Pack,
27	4332764	1	Bearing, Cup
28	4332763	1	Bearing, Cone
29	403753J	2	Screw, 1/4 x 20-1/2" Hex Flange

SPRAYTEK XP

4WD Output Shaft

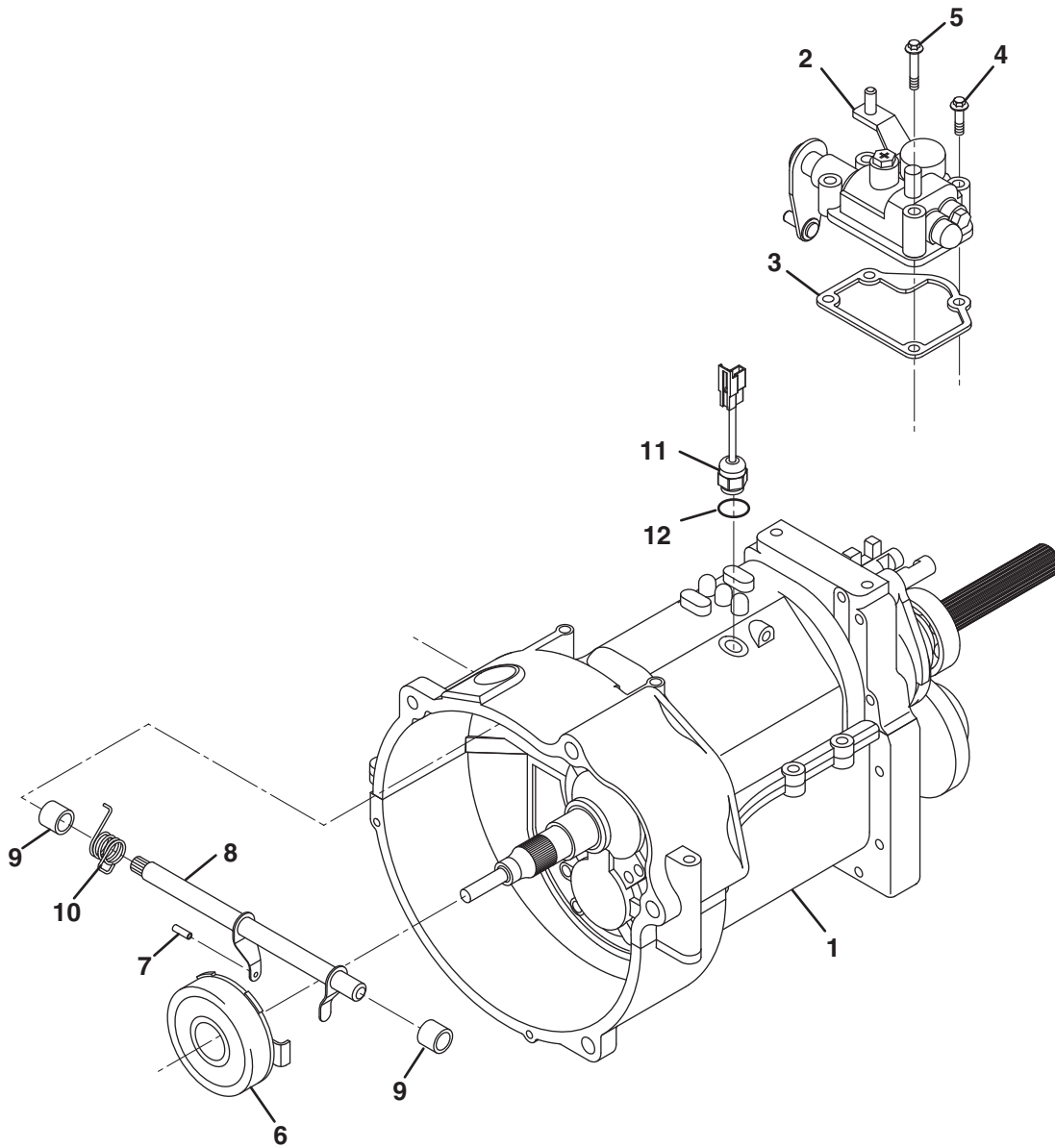
Rear Axle Part No. 4395476 Only



Item	Part No.	Qty.	Description
1	4397709	1	Housing, Carrier
2	4332660	1	Shaft, 4WD Output
3	N/S	1	• Retaining Ring
4	4332629	1	Retaining Ring
5	4332654	1	Spacer, Flat
6	4332655	1	Gear, 55 Tooth
7	N/S	1	• Bushing, Gear
8	4332607	1	Ball, 516" Detent
9	4332653	1	Bearing, Ball
10	4332658	1	Fork, Shift
11	4332656	1	Washer, Flat
12	4397686	1	Clutch, Shifting
13	4332608	1	Spring, Dentent
14	4332753	1	Shaft, Shift
15	4332610	1	Seal, Shaft
16	4332609	1	Set Screw, 3/8-16 x 3/8"
17	4332765	1	Bearing, Ball
18	4332766	1	Seal, 4WD Shaft
19	4397467	1	Cover, Front
20	4397637	1	Cover, Rear

SPRAYTEK XP

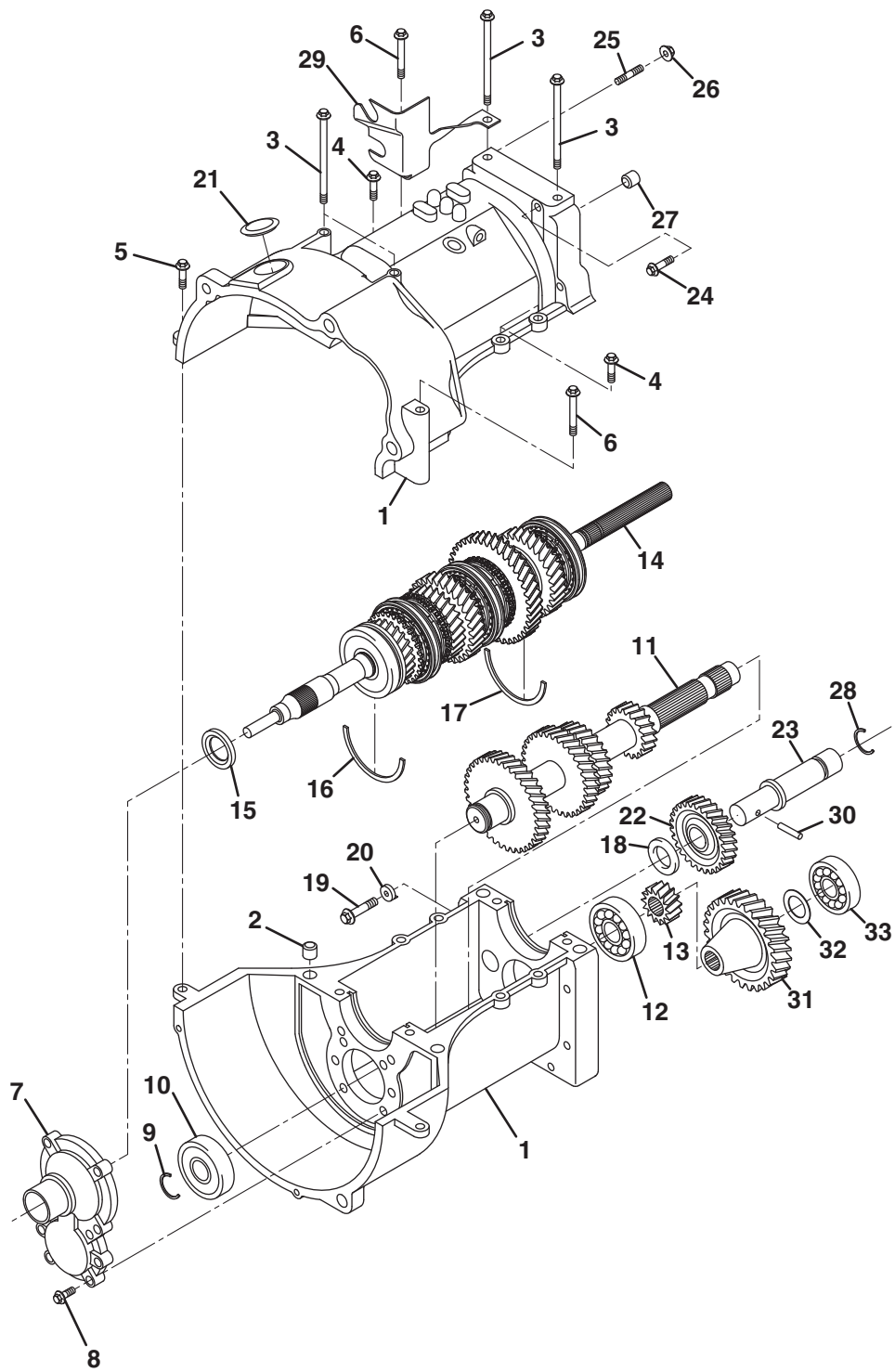
Transmission Clutch Release-Shift Selector



Item	Part No.	Qty.	Description
1	REF	1	Transmission Case
2	REF	1	Shift Assembly
3	845223	1	Gasket, Shift Case
4	2702659	3	Screw, M8-1.25 x 40 mm
5	01550-08553	1	Screw, M8-1.25 x 55 mm
6	23265-85200	1	Bearing, Clutch Release
7	09205-03019	1	Roll Pin
8	23260-85203	1	Shaft, Clutch Release
9	09300-14017	2	Bushing, Clutch Release
10	09448-20007	1	Spring, Clutch Release
11	37610-80043	1	Switch, Backup Light
12	09280-11002	1	• O-Ring

SPRAYTEK XP

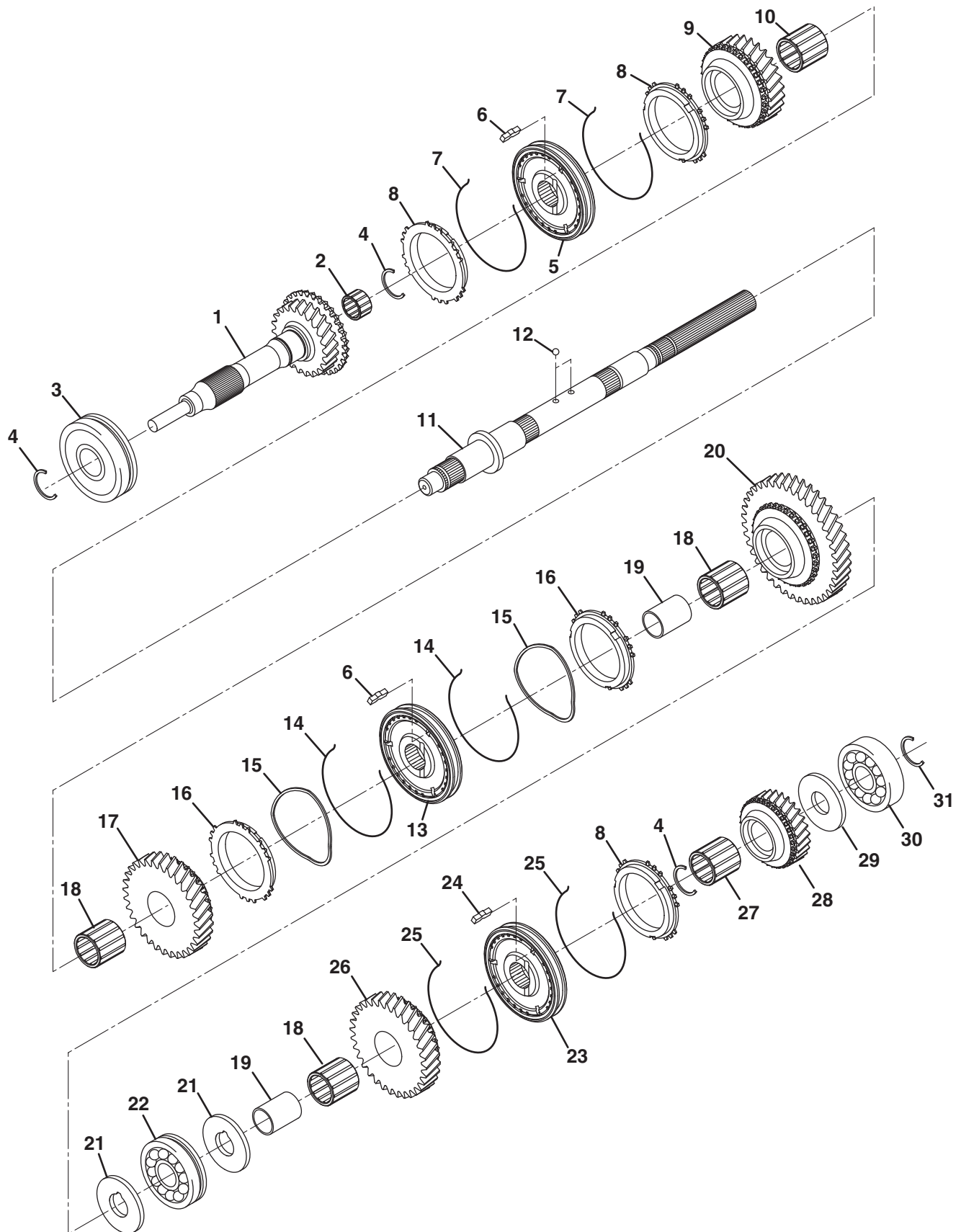
Transmission Case



Item	Part No.	Qty.	Description
1	24700-85200	1	Case, Transmission (Upper and Lower)
2	2702690	2	• Pin, Alignment
3	2702665	4	• Screw, M8-1.25 x 120 mm Flange
4	2702470	3	• Screw, M8-1.25 x 30 mm Flange
5	2702659	1	• Screw, M8-1.25 x 40 mm Flange
6	2702471	2	• Screw, M8-1.25 Flange
7	24741-83001	1	Retainer, Input Shaft Bearing
8	09103-08152	8	Screw, M8-1.25 x 25 mm Flange
9	09380-28007	1	Cir Clip
10	09262-28019	1	Bearing, Front
11	24131-83002	1	Counter Shaft
12	09262-28020	1	Bearing, Center
13	24671-83000	1	Gear, Countershaft Reverse
14	REF	1	Input and Main Shaft
15	09283-25088	1	Seal, Oil
16	09390-68002	1	C-Ring
17	09390-62010	1	C-Ring
18	09166-16014	1	Washer
19	452381	1	Screw, M6-1 x 40 mm Flange
20	844186	1	Washer, Special
21	2702662	1	Plug, Inspection Timing
22	24560-83001	1	Gear, Reverse Idle
23	24551-83010	1	Shaft, Reverse Idle Gear
24	452390	1	Screw, M8-1.25 x 30 mm Flange
25	01421-08303	1	Stud, M8-1.25
26	450324	1	Nut, M8-1.25 Hex Flange
27	2702690	2	Pin, Alignment
28	2702586	1	Cir Clip
29	28391-85202	1	Bracket, Shift Cables
30	09261-06003	1	Pin
31	24351-60A10	1	Gear, Counter Shaft 5th
32	09164-20008	1	Washer
33	09262-20073	1	Bearing, Rear

SPRAYTEK XP

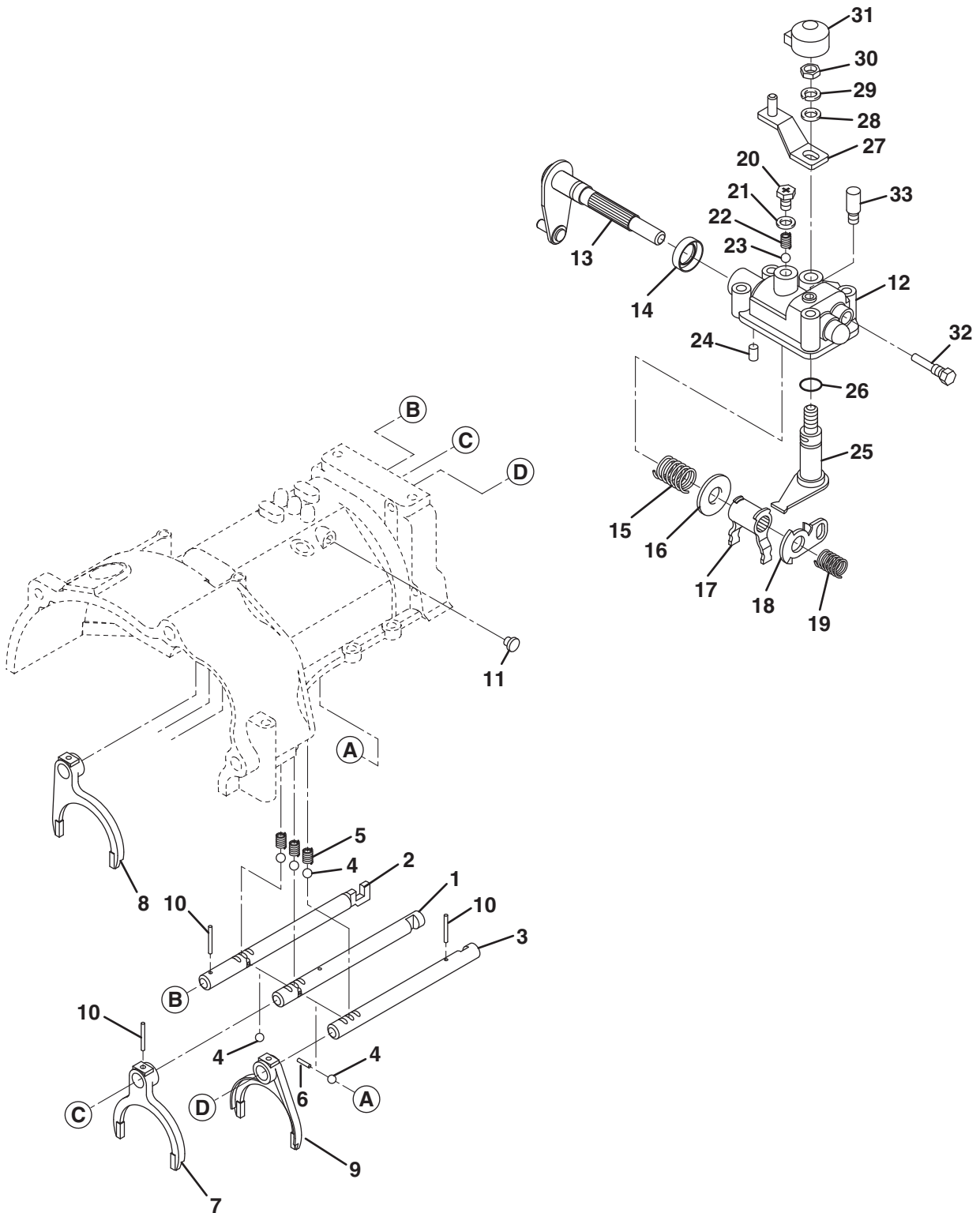
Input and Main Shaft



Item	Part No.	Qty.	Description
1	24110-80410	1	Shaft, Input (4th Gear)
2	2702561	1	Bearing, Needle
3	4141037	1	Bearing, Input Shaft Ball
4	09380-28007	3	Cir Clip
5	24410-83000	1	High Speed Synchroniser (Includes Hub and Sleeve)
6	24471-60A00	6	Key, Synchronizer
7	2703581	2	Spring, High Speed Synchronizer
8	24432-83001	3	Ring, Synchronizer
9	2703453	1	Gear, Main Shaft 3rd
10	09263-30031	1	Bearing, Needle
11	24121-85252	1	Shaft, Main
12	06111-06003	2	Ball
13	24400-83002	1	Low Speed Synchronizer (Includes Hub and Sleeve)
14	24436-83000	2	Spring, Low Speed Synchronizer
15	2703580	2	Spring, Low Speed
16	24431-83001	2	Ring, Low Speed Synchronizer
17	24220-60A01	1	Gear, Main Shaft 2nd
18	09263-35015	3	Bearing, Needle
19	09300-30003	2	Bushing
20	24211-83011	1	Gear, Main Shaft Low (1st Gear)
21	09166-30007	2	Washer
22	09262-30086	1	Bearing, Ball
23	24420-83000	1	Synchronizer, Reverse Drive (Includes Hub and Sleeve)
24	24473-70D10	3	Key, Synchronizer
25	2703581	1	Spring, Reverse Synchronizer
26	4119000	1	Gear, Main Shaft Reverse
27	24801-60810	1	Bearing, Needle
28	24250-83020	1	Gear, Main Shaft 5th
29	24255-60A00	1	Washer
30	09262-25073	1	Bearing
31	09380-25011	1	Cir Clip

SPRAYTEK XP

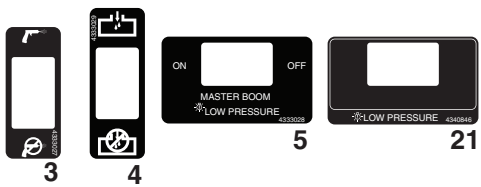
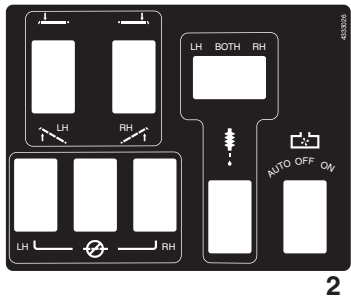
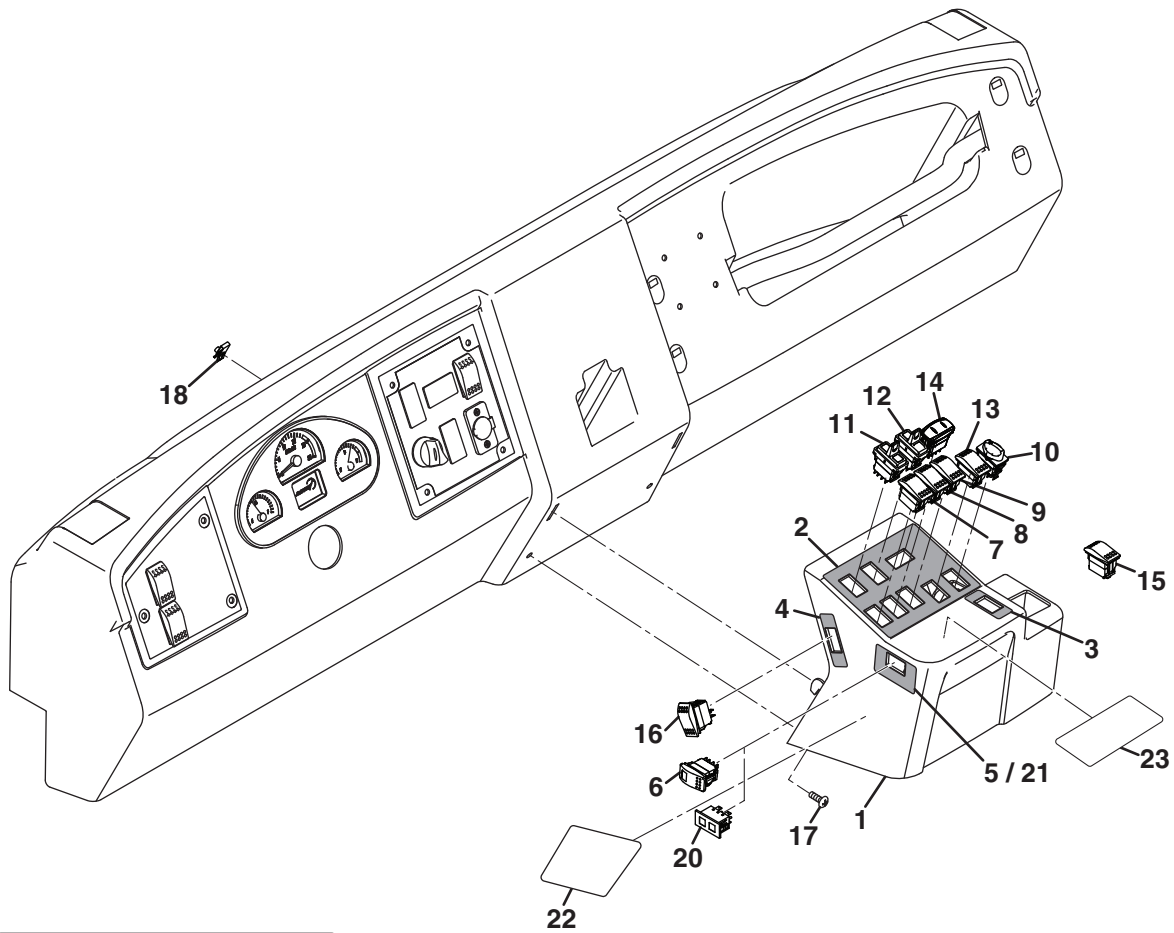
Gear Shift Fork Linkage



Item	Part No.	Qty.	Description
1	25411-85201	1	Shaft, Low Speed Fork (1st and 2nd Gear)
2	25420-85201	1	Shaft, High Speed Fork (3rd and 4th Gear)
3	25451-85261	1	Shaft, Reverse Fork
4	06111-12004	5	Ball
5	25415-83000	3	Spring, Detent
6	09261-03017	1	Roller
7	2703699	1	Fork, Low Gear Shift (1st and 2nd Gear)
8	2703699	1	Fork, High Gear Shift (3rd and 4th Gear)
9	2703582	1	Fork, Reverse Gear Shift
10	09205-05012	3	Pin, 4 x 25 mm Spring
11	09250-10006	1	Plug, Locating
12	2703454	1	Case, Gear Shift Lever
13	25520-85203	1	Shaft. Grear Shift Lever
14	09284-17004	1	Seal, Oil
15	25576-70D00	1	Spring
16	09160-17035	1	Washer, 17 x 32 x 1.2 mm
17	25541-85201	1	Lever, Gear Select
18	25545-85055	1	Dog, Reverse Shift Limit
19	25546-60C01	1	Spring
20	09128-10002	1	Bolt, M10 x 9 mm Retaining
21	09168-10007	1	Gasket
22	25547-70D00	1	Spring
23	09135-08005	1	Ball
24	2701953	1	Pin
25	25530-79501	1	Shaft, Gear Select
26	09286-09001	1	Seal, Oil
27	25535-85412	1	Arm, Gear Select
28	09162-08008	1	Washer
29	2702883	1	Washer
30	2702494	1	Nut, M8-1.25 Hex
31	25536-84200	1	Boot, Gear Select
32	09135-08005	1	Bolt, Retaining
33	24821-09001	1	Plug, Breather

SPRAYTEK XP

Console

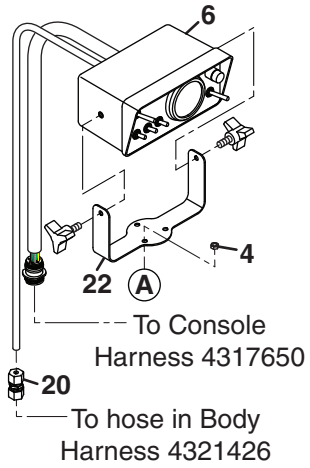


Item	Part No.	Qty.	Description
1	4320826	1	Console, Sprayer Control
2	4333026	1	Decal, Upper Sprayer
3	4333027	1	Decal, Lower Sprayer
4	4333029	1	Decal, Clean Rinse
5	4333028	1	Decal, Master Boom
6	4333646	1	Switch, Master Boom
7	4130132	1	Switch, Left Boom Control
8	4130132	1	Switch, Center Boom Control
9	4130132	1	Switch, Right Boom Control
10	4326362	1	Switch, Agitator Select
11	4299072	1	Switch, Left Boom Lift/Lower
12	4299072	1	Switch, Right Boom Lift/Lower
13	4130132	1	Switch, Foam Power
14	4316067	1	Switch, Foam Select
15	4130132	1	Switch, Hose Reel Valve
16	4130132	1	Switch, Clean Rinse
17	404016	2	Screw, 1/4-20 x 5/8" Truss Head
18	4315646	2	Nut, 1/4-20 U-Type
19	4225220	AR	Plug, Panel
20	4340689	1	Indicator, Low Pressure
21	4340846	1	Decal, Low Pressure Light
22	4341630	1	Decal, Spraytek Info
23	4383946	1	Decal, Sprayer

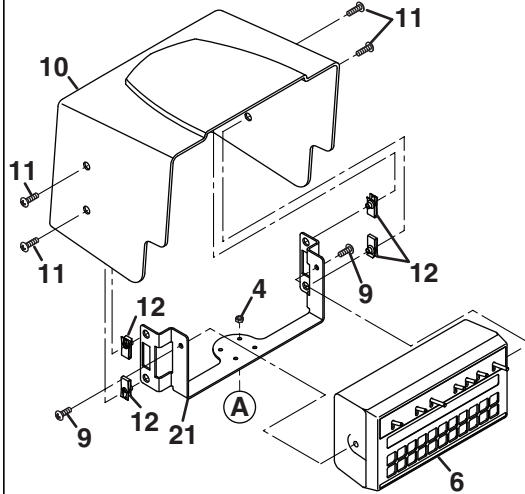
SPRAYTEK XP

Sprayer Controller Options

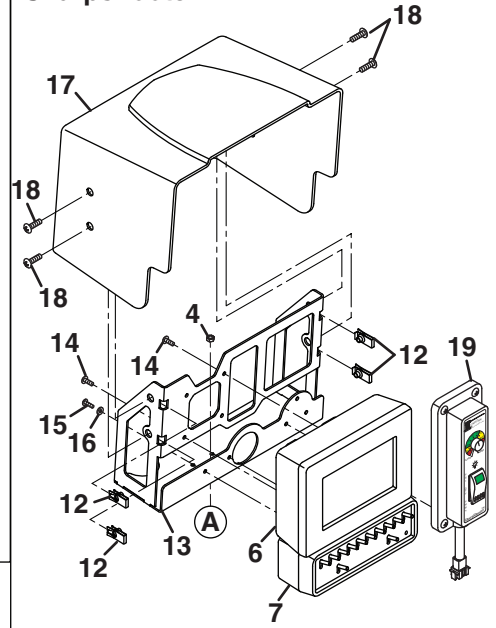
**Raven 203
Controller**



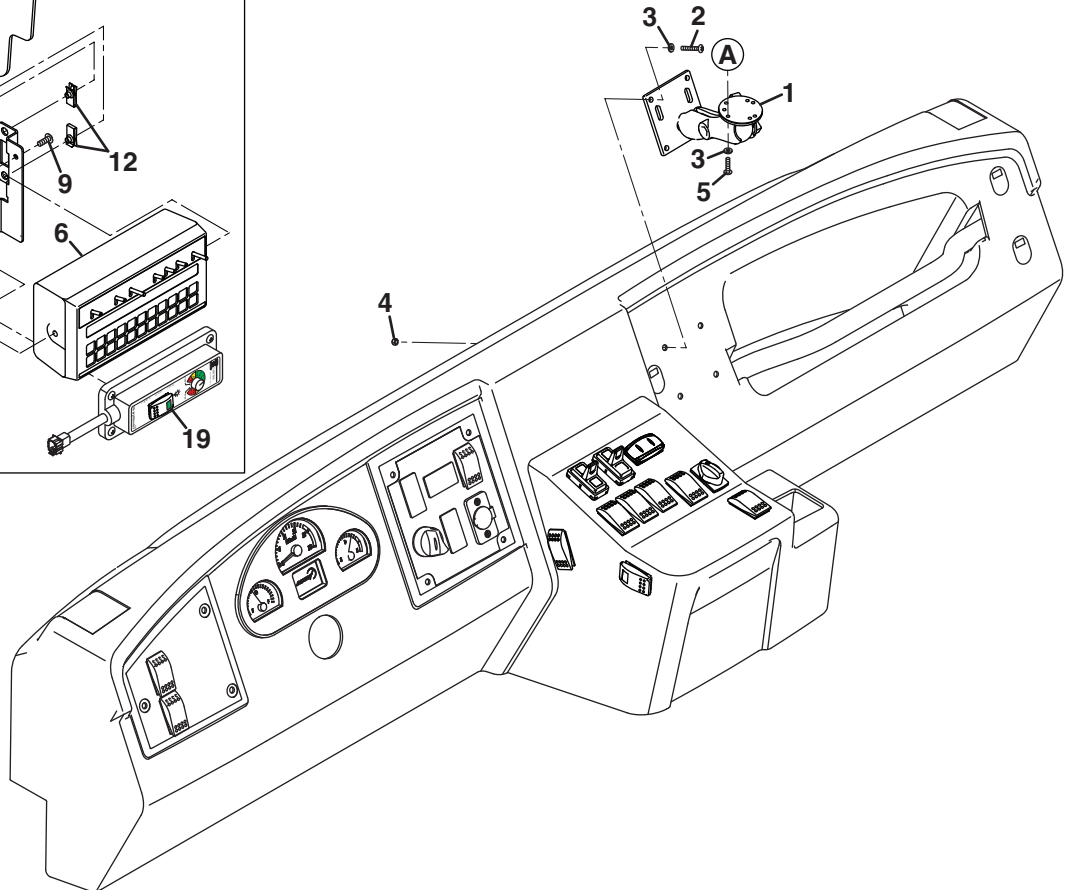
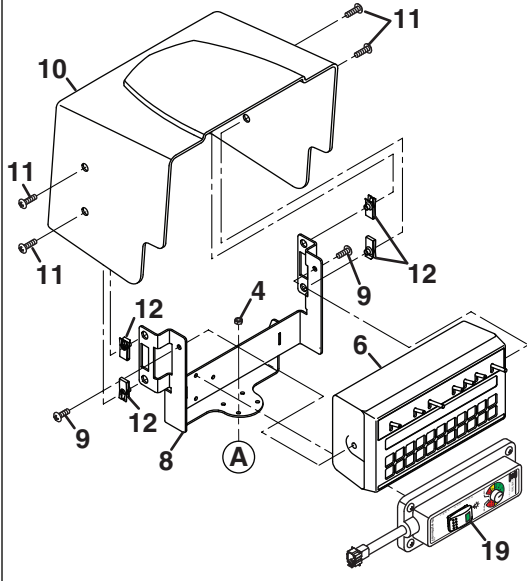
**Raven 440
Controller**



**Envizio Pro II Controller +
Sharpshooter**



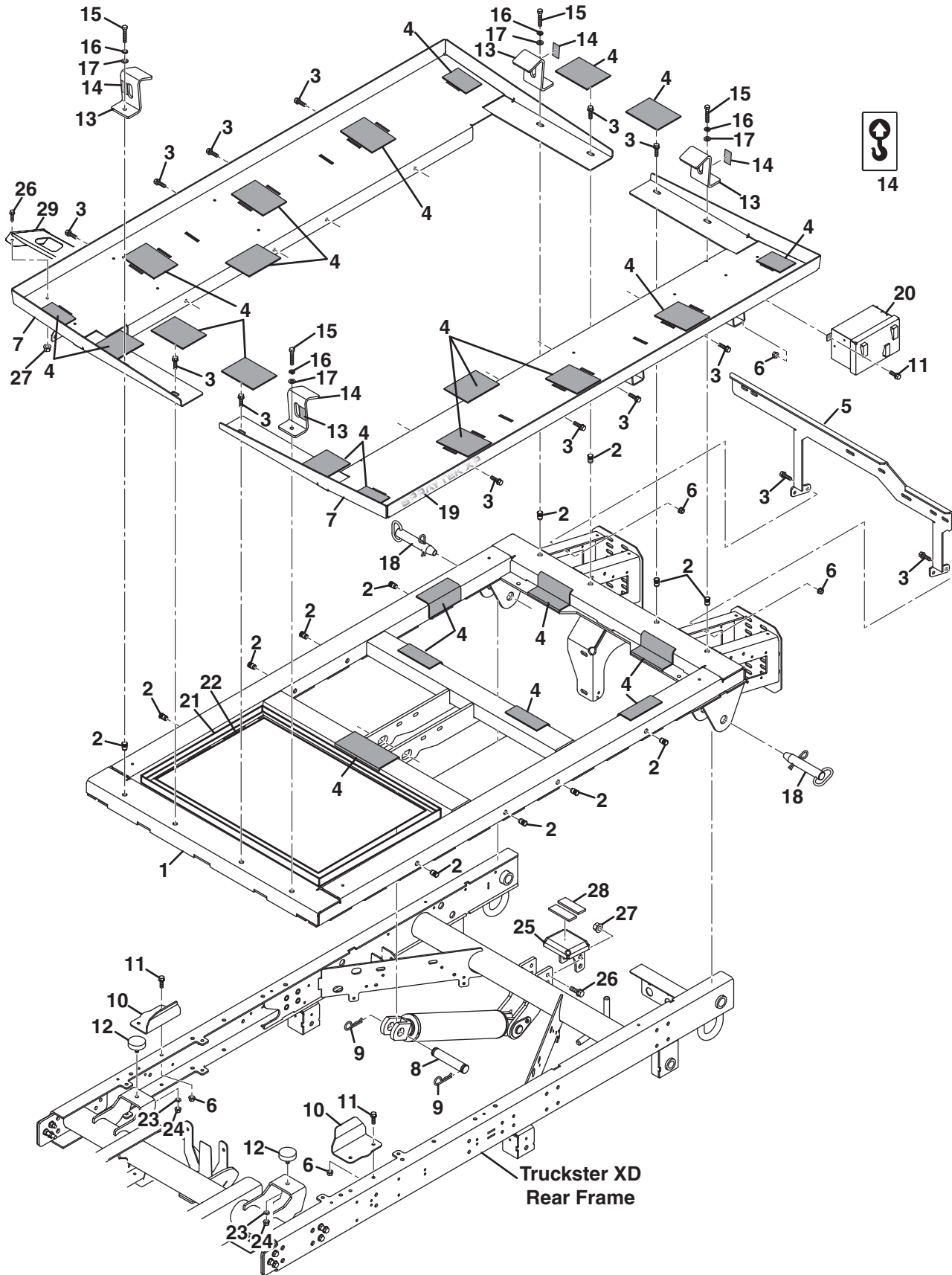
Raven 440 Controller + SharpShooter



Item	Part No.	Qty.	Description
1	4394552	1	Ram Mount
2	4334127	4	Screw, #10-32 x 1" Round Head
3	303952	8	Flat Washer, #10
4	4334131	8	Nut, #10-32 Hex Flange
5	4334126	4	Screw, #10-32 x 3/4" Round Head
6	4319833	1	Console, Raven 203 (Includes knobs) (203 Controller)
		1	• Fuse, 15 Amp
6	4319832	1	Console, Raven 440 (440 Controller)
		1	• Fuse, 15 Amp
6	4325035	1	Controller, Envizio Pro with WAAS (Envizio Pro II Controller)
7	4325036	1	Switch Pro (Envizio Pro II Option)
8	4324806	1	Mount, 440 Console (440 + SharpShooter Option)
9	404016	2	Screw, 1/4-20 x 5/8" Truss Head (440 Controller)
10	4324726	1	Visor, 440 Console (440 Controller)
11	800582	4	Screw, 1/4-20 x 3/4" Truss Head (440 Controller)
12	4315646	4	Nut, 1/4-20 U-Type (440 and Envizio Pro II Option)
13	4324811	1	Mount (Envizio Pro II Controller)
14	800021	4	Screw, #10-24 x 1/2" Truss Head (Envizio Pro II Controller)
15	800178	2	Screw, #8-32 x 1/2" Round Head (Envizio Pro II Controller)
16	453004	2	Flat Washer, #8 (Envizio Pro II Controller)
17	4331049	1	Visor (Envizio Pro II Controller)
18	404016	4	Screw, 1/4-20 x 5/8" Truss Head (Envizio Pro II Controller)
19		1	SharpShooter Pulse Generator (440 + SharpShooter and Envizio Pro II Controller)
	5003280	1	• Fuse, 10 Amp Pulse Generator
20	4326946	1	Connector, 1/4" Hose (203 Controller)
21	4324809	1	Mount, 440 Console
22	4319986	1	Mount, 203 Console

SPRAYTEK XP

Sprayer Support Frame

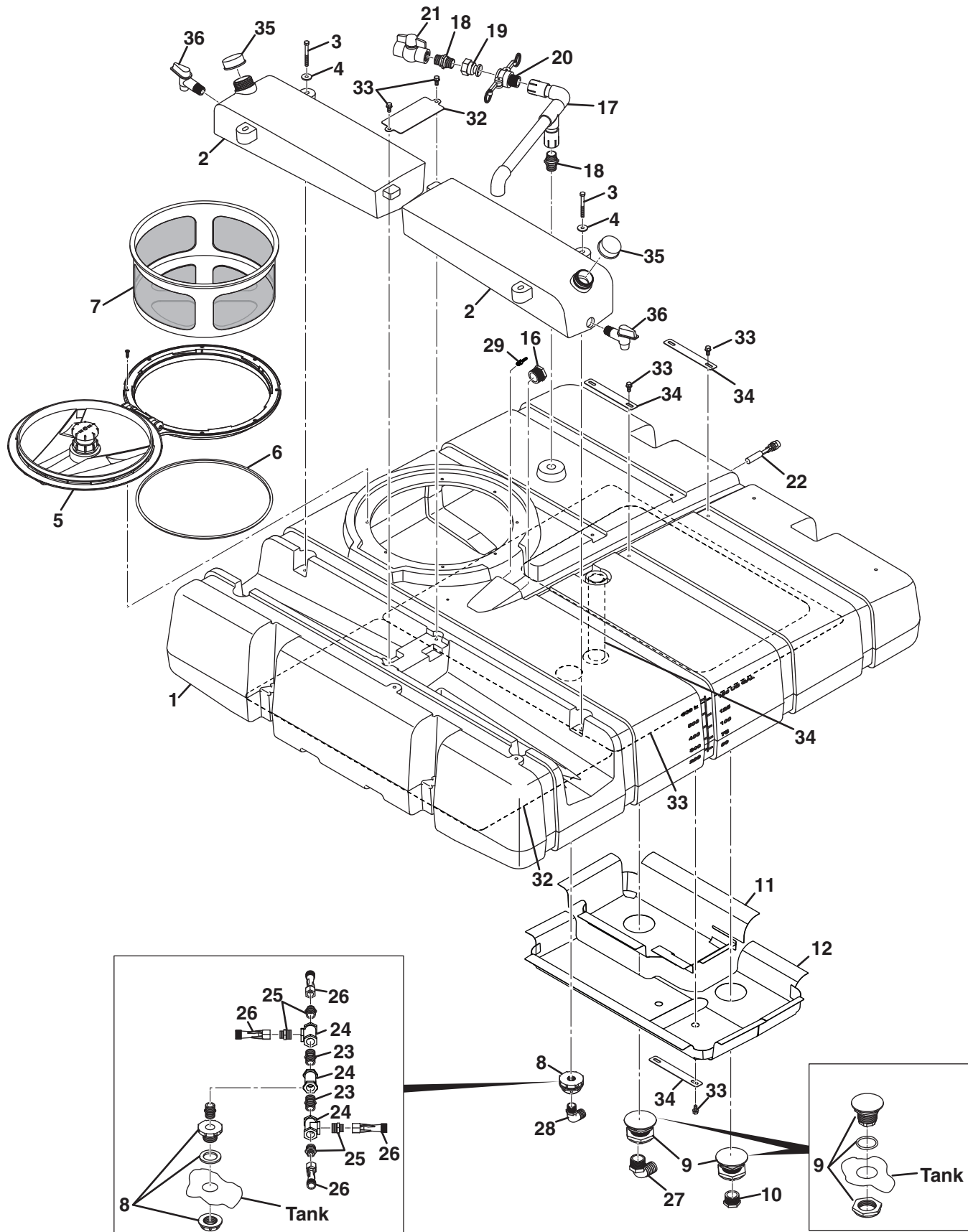


Item	Part No.	Qty.	Description
1	4394399	1	Frame, Sprayer Support
2	400150	20	Nut, 5/16-18 Insert
3	400025	20	Screw, 5/16-18 x 7/8" Hex Flange
4	4326546	AR	Tape, 3-3/4 Inch x 10 Foot Roll Grip
5	4322211	1	Mount, Plumbing
6	548911	10	Nut, 5/16-18 Hex Flange
7	4394388	2	Support, Sprayer
◆ 8	4316767	1	Pin, Cylinder
◆ 9	809265	2	Hair Pin, 2-11/16 x 3/4 x 5/32"
10	4308231	2	Keeper, Truck Bed
11	403751	6	Screw, 5/16-18 x 3/4" Hex Flange
◆ 12	361723	2	Stop, Rubber
13	4394404	4	Cleat, Tank
14	4322549	4	Decal, Lift Point
15	400192	4	Screw, 5/16-18 x 1-1/2" Hex Head
16	446136	4	Lock Washer, 5/16 Heavy
17	453009	4	Flat Washer, 5/16
18	882971	2	Pin, Disconnect
19	671822	2	Decal, Spraytek XP
20	REF	1	Relay Box Assembly
21	4394405	1	Support, Heat Shield
22	4394402	1	Shield, Adhesive Sprayer
23	446142	2	Lock Washer, 3/8
24	443110	2	Hex Nut, 3/8-16
25	4337918	1	Sump Support, Weldment
26	548905	8	Screw, 3/8-16 x 1
27	548804	8	Nut, 3/8-16 Hex Flange
28	359979	2	Pad
29	4394395	1	Front Tank Support
◆	Included with Truckster XD		

SPRAYTEK XP

175 Gallon Tank

Spraytek XP 175

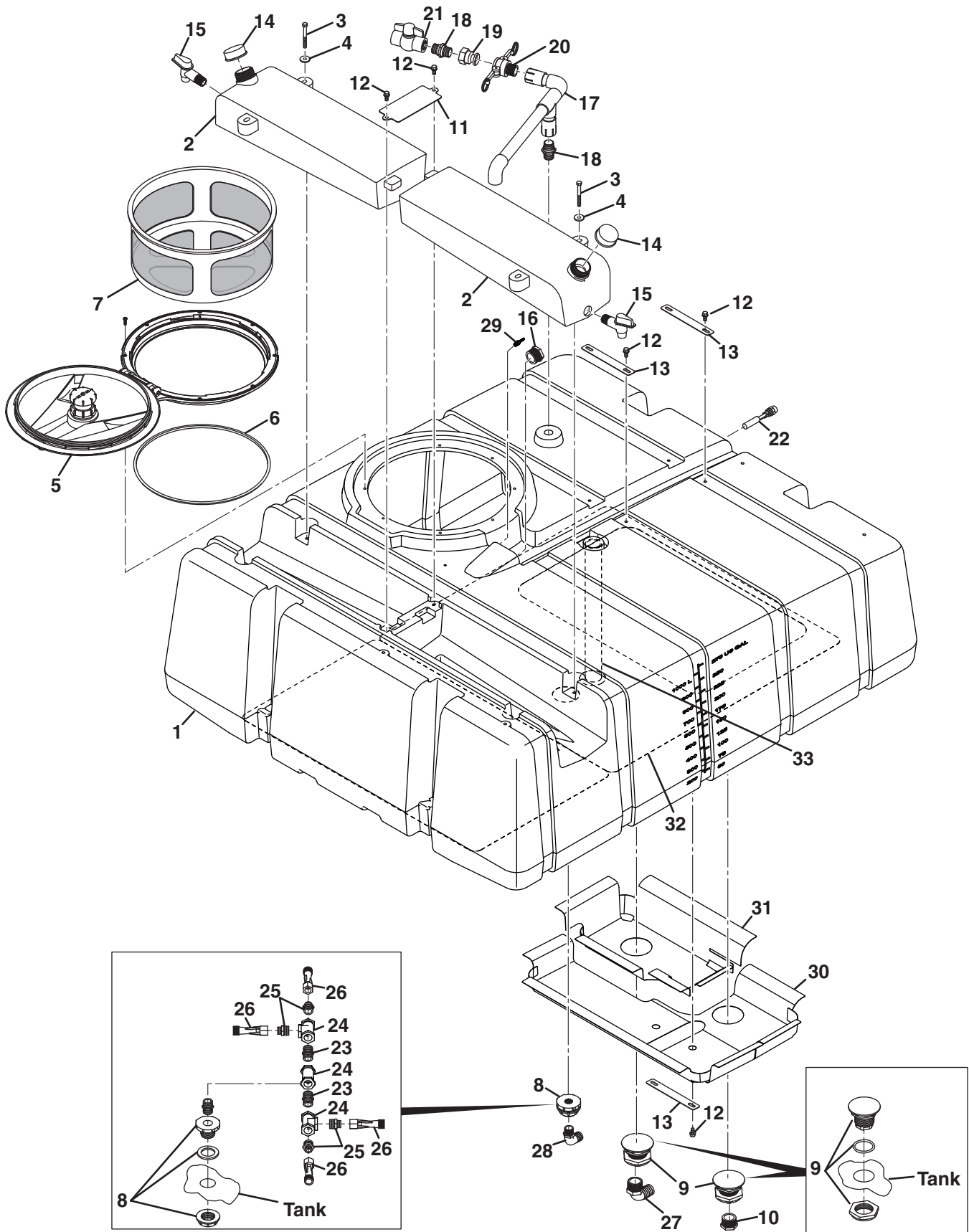


Item	Part No.	Qty.	Description
1	4394409	1	Tank, 175 Gallon Sprayer (Includes Items 2 - 14)
2	4319646	2	• Tank, 4 Gallon Water
3	400200	4	• Screw, 5/16-18 x 2-1/2" Hex Head
4	809152	4	• Flat Washer, 5/16
5	4346287	1	• Lid, 16" Hinged
6	4346306	1	• Gasket, Tank Lid
7	4325708	1	• Basket, Strainer
8	4319828	1	• Fitting, 1-1/4" NPT x 3/4" NPT
9	4309747	2	• Fitting, 2" NPT x 1-1/4" NPT
10	4319766	1	• Plug, 1-1/4" NPT Hex
11	4394403	1	• 31 Shield, Adhesive Sprayer Sump
12	4394401	1	• 30 Shield, Adhesive Sprayer Sump
13	4394786	1	• Tube, 1.5" X 13.5" PVC
14	4394400	1	• 32 Shield, Adhesive Sprayer
15			
16	4319766	1	Plug, 1/1-4" NPT Hex
17	4319788	1	Pipe, Air Gap Filler
18	4319926	2	Nipple, 1" NPT
19	4319932	1	Coupler, 1" NPT Male Cam
20	4319933	1	Coupler, 1" NPT Female Cam
21	4319970	1	Valve, 1" NPT 2-Way Manual Ball
22	4326846	1	Switch, Agitator Float
23	4319889	3	Nipple, 3/4" NPT
24	4319831	3	Tee, 3/4" NPT
25	4319892	4	Nipple, 3/4" NPT x 1/2" NPT
26	4319827	4	Nozzle, Agitator
	N/S	1	• Orifice, 1/8" Nozzle Orifice
27	4309755	1	Elbow, 1-1/4" NPT x 1-1/4" Hose Barb
28	4319830	1	Elbow, 3/4" NPT x 1" Hose Barb
29	4320926	1	Fitting, 1/8" NPT x 3/16" Hose Barb
30	4338188	1	Shield, Adhesive Heat
31	4337608	1	Pipe, Tank Support
32	4322331	1	Bracket, Tank
33	548901	8	Screw, 5/16-18 x 1/2" Hex Flange
34	4322332	3	Strap, Hose
35	4322966	2	Cap, Water Tank
36	4325788	2	Spigot
	4336506	1	Kit, Agitator Nozzle Orifice
	N/S	4	• 5/32" Nozzle Orifice
	N/S	4	• 3/16" Nozzle Orifice

SPRAYTEK XP

300 Gallon Tank

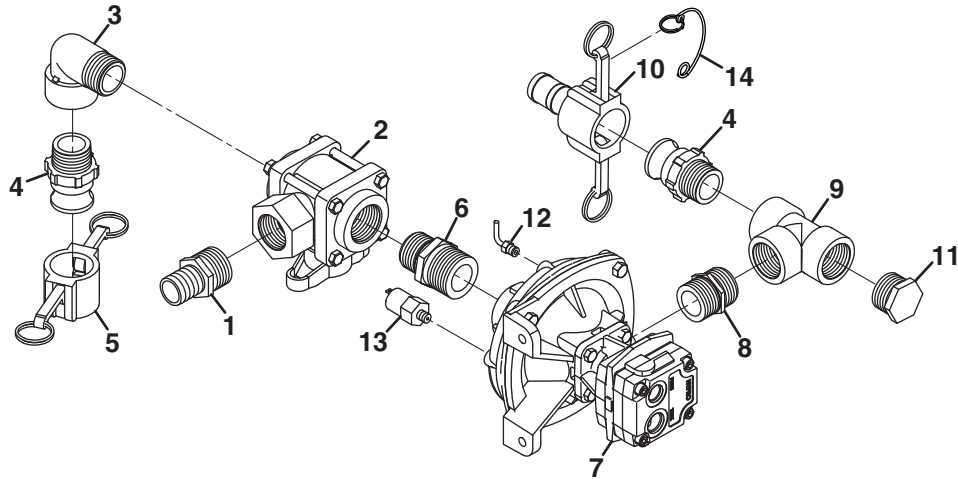
Spraytek XP 300



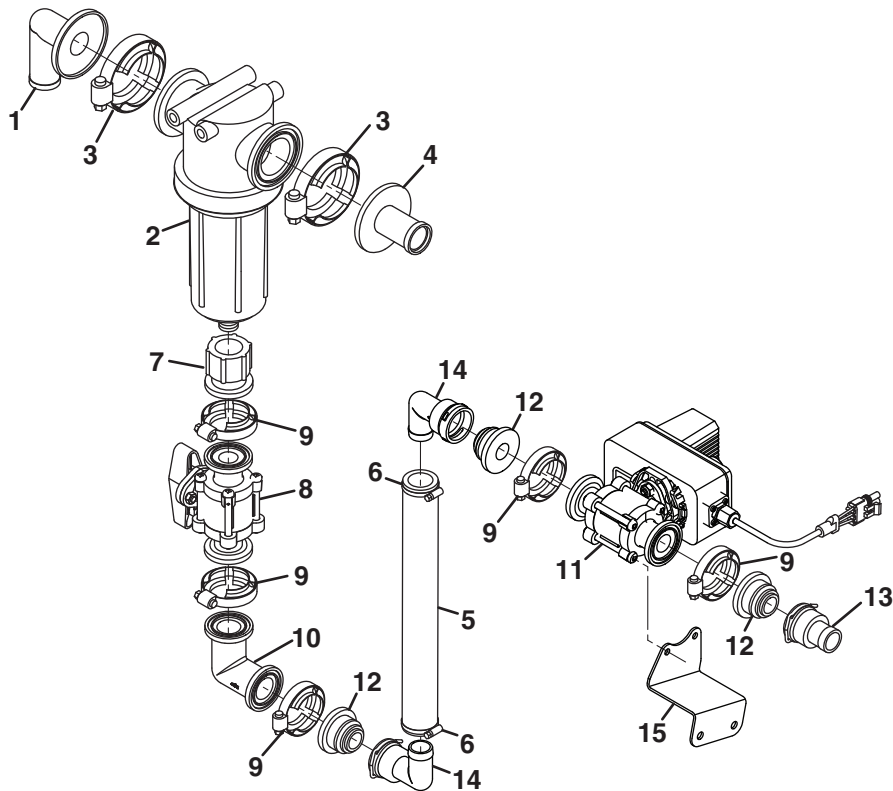
Item	Part No.	Qty.	Description
1	4394408	1	Tank, 300 Gallon Sprayer (Includes Items 2 - 10, 30 - 33)
2	4319646	2	• Tank, 4 Gallon Water
3	400200	4	• Screw, 5/16-18 x 2-1/2" Hex Head
4	809152	4	• Flat Washer, 5/16
5	4346287	1	• Lid, 16" Hinged
6	4325707	1	• Gasket, Tank Lid
7	4325708	1	• Basket, Strainer
8	4319828	1	• Fitting, 1-1/4" NPT x 3/4" NPT
9	4309747	2	• Fitting, 2" NPT x 1-1/4" NPT
10	4319766	1	• Plug, 1-1/4" NPT Hex
11	4322331	1	Bracket, Tank
12	548901	8	Screw, 5/16-18 x 1/2" Hex Flange
13	4322332	3	Strap, Hose
14	4322966	2	Cap, Water Tank
15	4325788	2	Spigot
16	4319766	1	Plug, 1/1-4" NPT Hex
17	4319788	1	Pipe, Air Gap Filler
18	4319926	2	Nipple, 1" NPT
19	4319932	1	Coupler, 1" NPT Male Cam
20	4319933	1	Coupler, 1" NPT Female Cam
21	4319970	1	Valve, 1" NPT 2-Way Manual Ball
22	4326836	1	Switch, Agitator Float
23	4319889	3	Nipple, 3/4" NPT
24	4319831	3	Tee, 3/4" NPT
25	4319892	4	Nipple, 3/4" NPT x 1/2" NPT
26	4319827	4	Nozzle, Agitator
27	4309755	1	Elbow, 1-1/4" NPT x 1-1/4" Hose Barb
28	4319830	1	Elbow, 3/4" NPT x 1" Hose Barb
29	4320926	1	Fitting, 1/8" NPT x 3/16" Hose Barb
30	4394401	1	• Shield, Adhesive Sprayer Sump
31	4394400	1	• Shield, Adhesive Sprayer
32	4394403	1	• Shield, Adhesive Sprayer Sump
33	4394785	1	• Tube, 1.5" X 21" PVC
	4336506	1	Kit, Agitator Nozzle Orifice
	N/S	4	• 5/32" Nozzle Orifice
	N/S	4	• 3/16" Nozzle Orifice

SPRAYTEK XP

Sprayer Pump Assembly



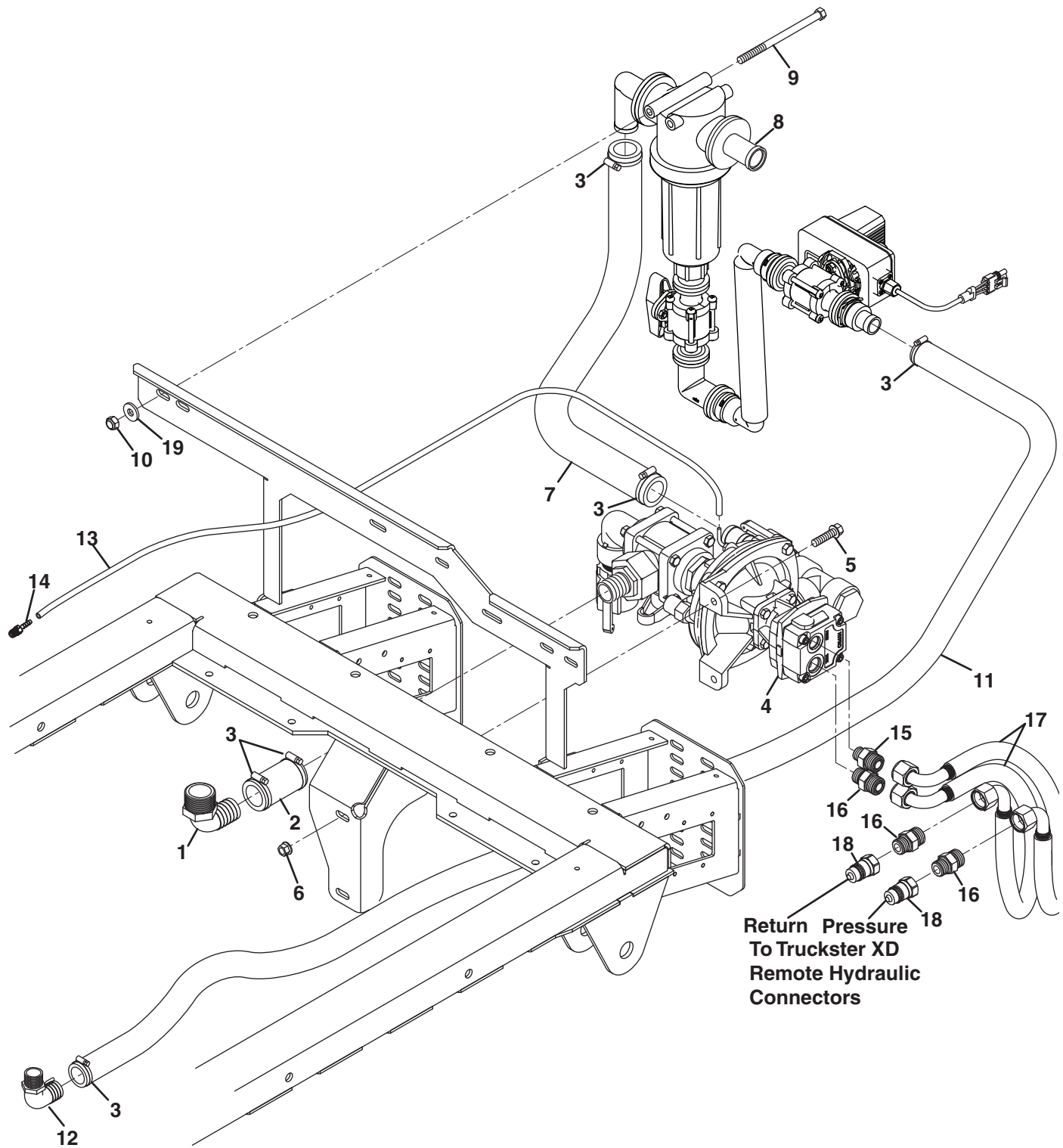
Item	Part No.	Qty.	Description
1	4309742	1	Fitting, 1-1/4" NPT x 1-1/4" Hose Barb
2	4309743	1	Valve, 1-1/4" NPT 3-Way Manual Ball
3	4319950	1	Elbow, 1-1/4" NPT Male-Female
4	4319893	2	Coupler, 1-1/4" NPT Male Cam
5	4319929	1	Coupler, 1-1/4" NPT Female Cam Cap
6	4329266	1	Reducer, 1-1/2 NPT x 1-1/4" NPT
7	4309741	1	Pump, Sprayer
	4335666	1	• Seal Kit
8	4319927	1	Nipple, 1-1/4" NPT
9	4309749	1	Tee, 1-1/4" NPT
10	4332166	1	Coupler, 1-1/4" NPT Female Cam 1-1/4"
11	4319766	1	Plug, 1-1/4" NPT Hex
12	4319990	1	Elbow, 1/8" NPT x 3/16" Hose Barb
13	4319989	1	Switch, Pressure
14	4335946	1	Lock, Coupler



Item	Part No.	Qty.	Description
1	4309753	1	Elbow, #75 Flange x 1-1/4" Hose Barb
2	4309744	1	Strainer, 50 Mesh Screen (HD Booms)
2	4334687	1	Strainer, 80 Mesh Screen (Sharp Shooter Booms)
3	4309736	2	Clamp, #75 Flange
4	4319809	1	Fitting, #75 Flange x 1-1/4" Hose Barb
5	4335457	11"	Hose, 1" I.D., 11" Lg
6	4319953	2	Clamp, 1-1/16" to 2" Hose
7	4319806	1	Adapter, 1" NPT to #50 Flange
8	4309740	1	Valve, #50 Flange 2-Way Manual Ball
9	4319808	5	Clamp, #50 Flange
10	4320707	1	Elbow, #50 Flange
11	4321326	1	Valve, #50 Flange 2-Way Electric Ball
12	4309756	3	Adapter, #50 Flange to Quick Connect
13	4319815	1	Fitting, Quick Connect x 1" Hose Barb
14	4320749	2	Fitting, Quick Connect x 1" Hose Barb
15	4334306	1	Bracket, Valve Mount

SPRAYTEK XP

Sprayer Tank Plumbing

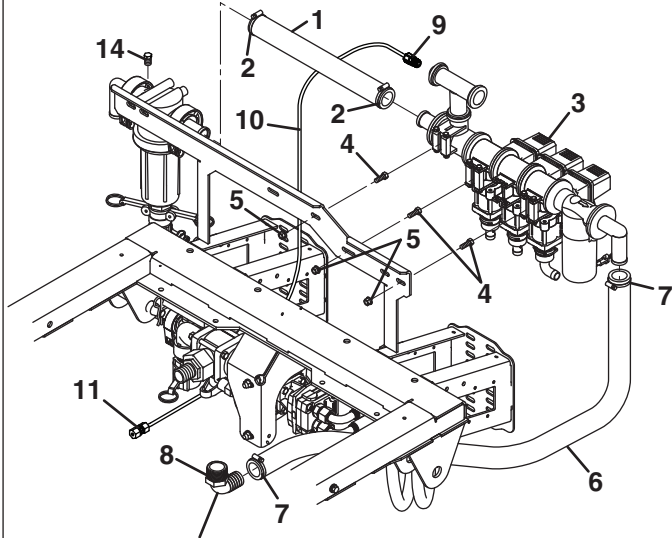


Item	Part No.	Qty.	Description
1	4309755	1	Elbow, 1-1/4" NPT x 1-1/4" Hose Barb
2	4335458	4"	Hose, 1-1/4" I.D.
3	4319953	6	Clamp, 1-1/16" to 2" Hose
4	REF	1	Sprayer Pump Assembly
5	548907	2	Screw, 3/8-16 x 1-1/4" Hex Flange
6	548804	2	Nut, 3/8-16 Hex Flange
7	4335458	26"	Hose, 1-1/4" I.D.
8	REF	1	Stainer Assembly
9	400288	2	Screw, 3/8-16 x 5-1/2" Hex Head
10	445806	2	Nut, 3/8-16 Nylon Insert
11	4335457	55"	Hose, 1" I.D.
12	4319830	1	Elbow, 3/4" NPT x 1" Hose Barb
13	4335454	53"	Hose, 3/16" I.D. Clear (XP 175)
13	4335454	60"	Hose, 3/16" I.D. Clear (XP 300)
14	4320926	1	Fitting, 1/8" NPT x 3/16" Hose Barb
15	339988	1	Fitting, -10 ORFS x -8 ORB
	339911	1	• O-Ring, -10 ORFS
	339898	1	• O-Ring, -8 ORB
16	339989	3	Fitting, -10 ORFS x -10 ORB
	339911	1	• O-Ring, -10 ORFS
	339899	1	• O-Ring, -10 ORB
17	1003557	2	Hose, Remote Connectors to Pump
18	4307275	2	Fitting, 1/2" Male Quick Connect
19	303873	2	Flat Washer, 3/8

SPRAYTEK XP

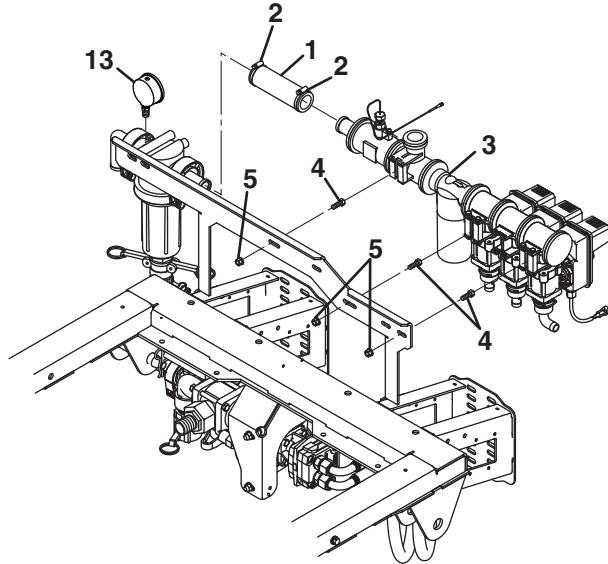
Sprayer Manifold Options

Raven 203 Manifold

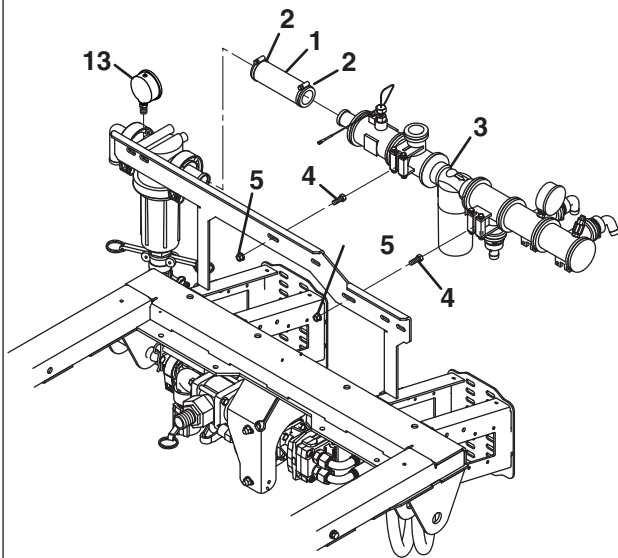


Remove plug from left rear fitting in tank.

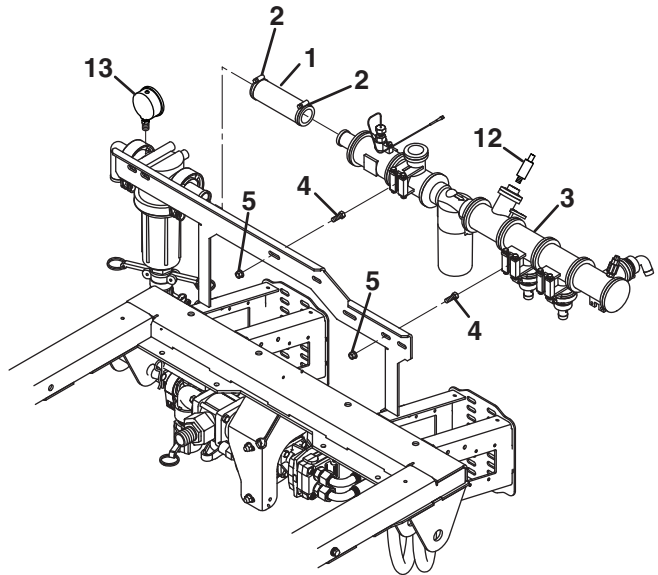
Raven 440 Manifold



Raven 440 + Sharpshooter Manifold



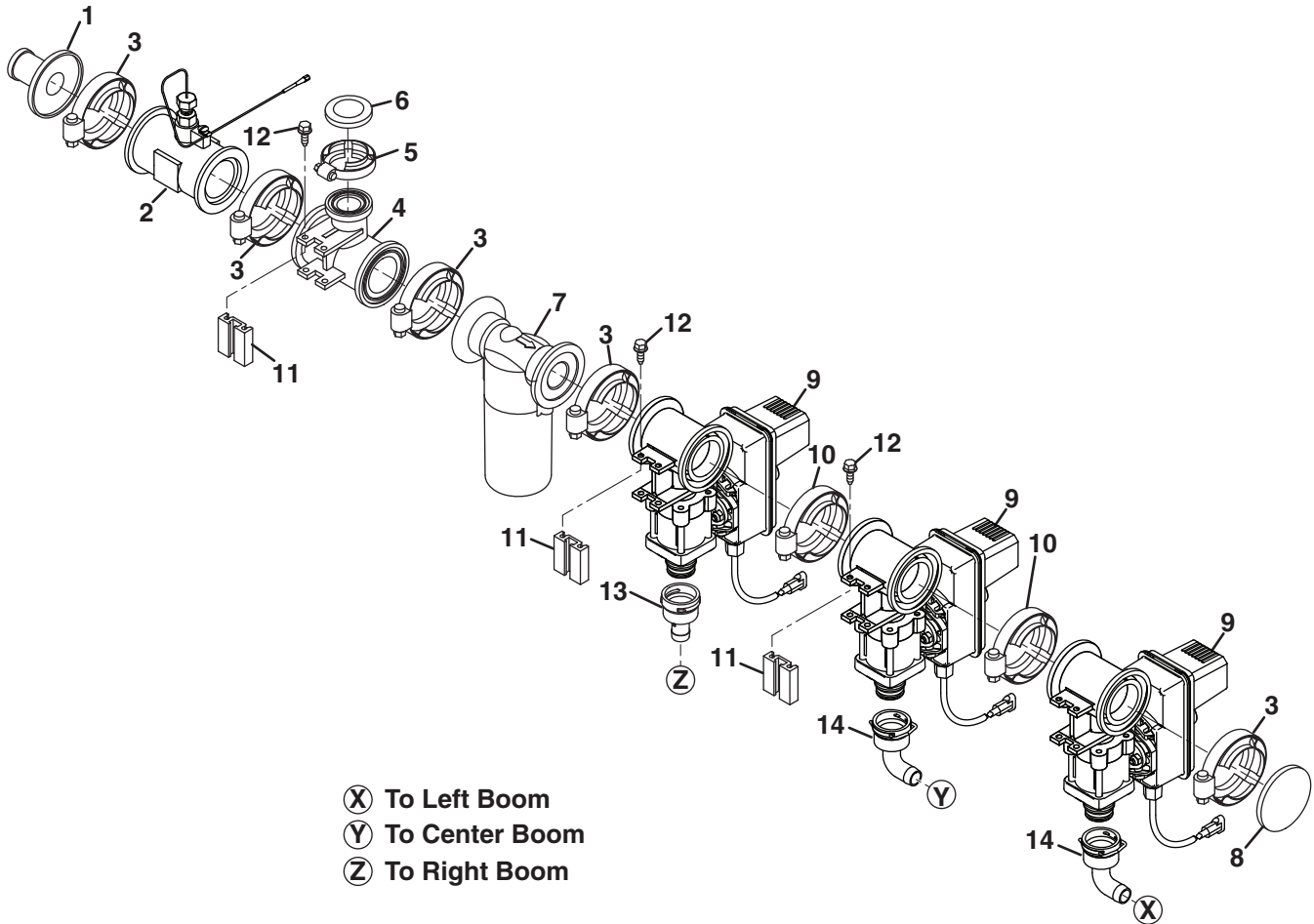
Envizio Pro II Manifold



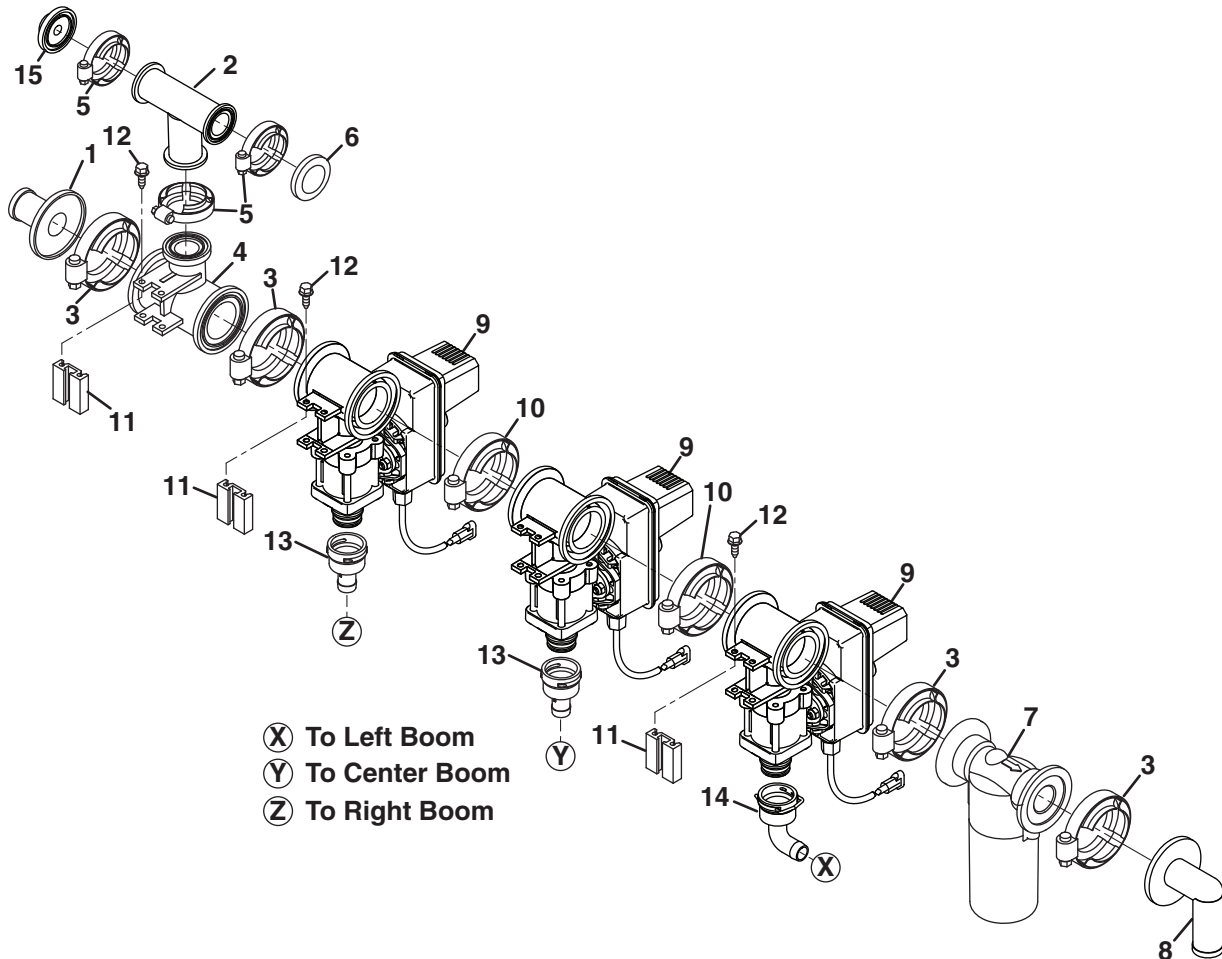
Item	Part No.	Qty.	Description
1	4335458	6"	Hose, 1-1/4" I.D.
1	4335458	16"	Hose, 1-1/4" I.D. (Raven 203 Manifold)
2	4319953	2	Clamp, 1-1/16" to 2" Hose
3	REF	1	Manifold, Raven 440
3	REF	1	Manifold, Raven 203
3	REF	1	Manifold, 440 + Sharpshooter
3	REF	1	Manifold, Envizio Pro II
4	400184	AR	Screw, 5/16-18 x 3/4" Hex Head
5	445781	AR	Nut, 5/16-18 Whizlock Flange
6	4335458	40"	Hose, 1-1/4" I.D. (Raven 203 Manifold)
7	4319953	2	Clamp, 1-1/16" to 2" Hose (Raven 203 Manifold)
8	4309755	1	Elbow, 1-1/4" NPT x 1-1/4" Hose Barb (Raven 203 Manifold)
9	4340046	1	Fitting, 1/4" NPT x 1/4" Hose (Raven 203 Manifold)
10		60"	Tubing, 1/4" O.D. (Raven 203 Manifold)
11	4326946	1	Compression Fitting, 1/4" Hose (Raven 203 Manifold)
12	4323047	1	Sensor, Envizio Pressure (Envizio Pro II Manifold)
13	4340426	1	Gauge, 160 psi (All Except Raven 203 Manifold)
14	4319814	1	Plug, 1/4" NPT Hex (Raven 203 Manifold)

SPRAYTEK XP

440 Manifold



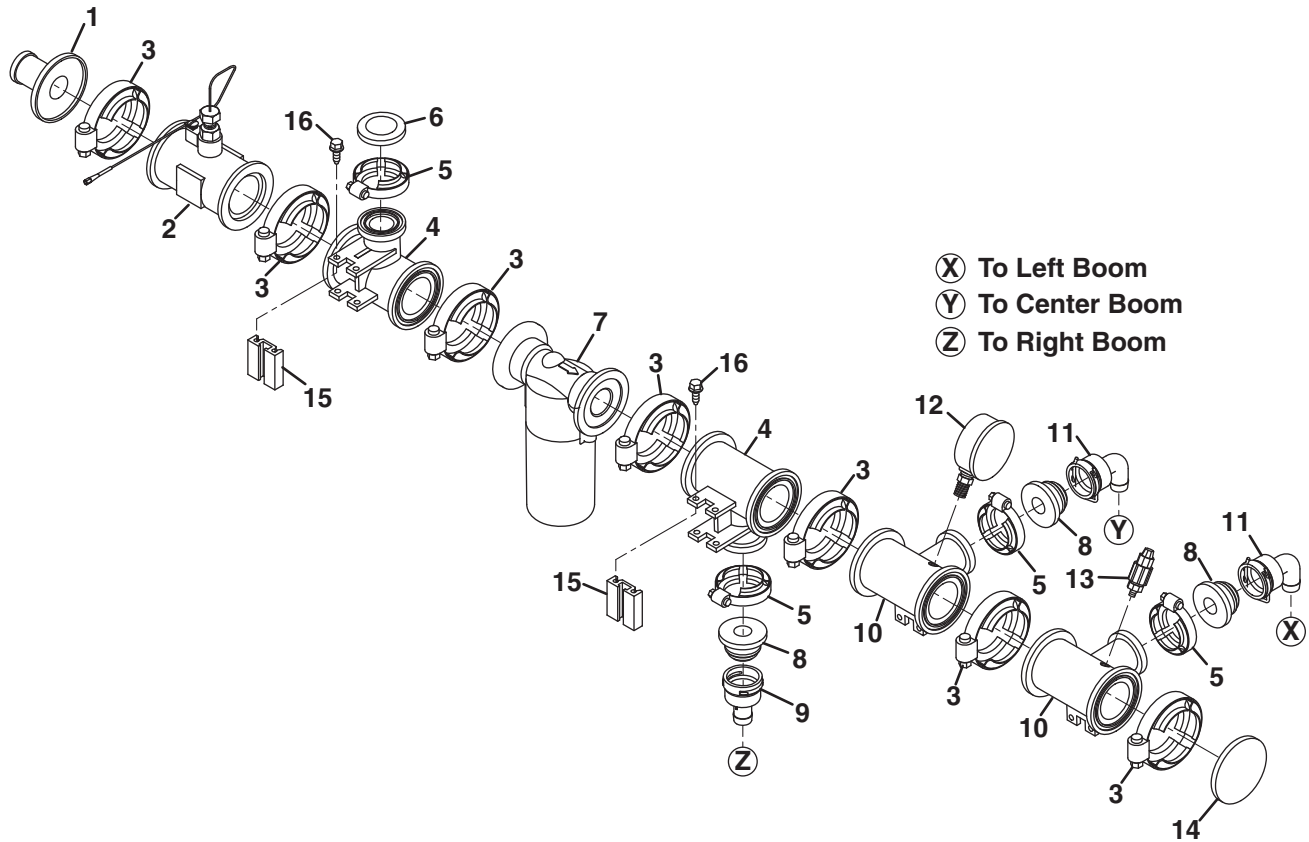
Item	Part No.	Qty.	Description
1	4319809	1	Adapter, #75 Flange to 1-1/4" Hose Barb
2	4309745	1	Flow Meter
3	4309736	4	Clamp, #75 Flange
4	4309751	1	Tee, #75 Flange x #50 Flange Branch
5	4319808	1	Clamp, #50 Flange
6	4319813	1	Cap, #50 Flange
7	4309746	1	Valve, #75 Electric 1" Butterfly
8	4309754	1	Cap, #75 Flange
	4309735	1	Manifold, #75 Flange Electric
9	N/S	3	• Valve, Electric Ball
10	4309736	2	• Clamp, #75 Flange
11	4322307	3	• Rail, Mounting
12	4322987	12	• Screw, Stainless Steel
13	4320747	1	Fitting, Quick Connect x 3/4" Hose Barb
14	4319790	2	Elbow, Quick Connect x 3/4" Hose Barb



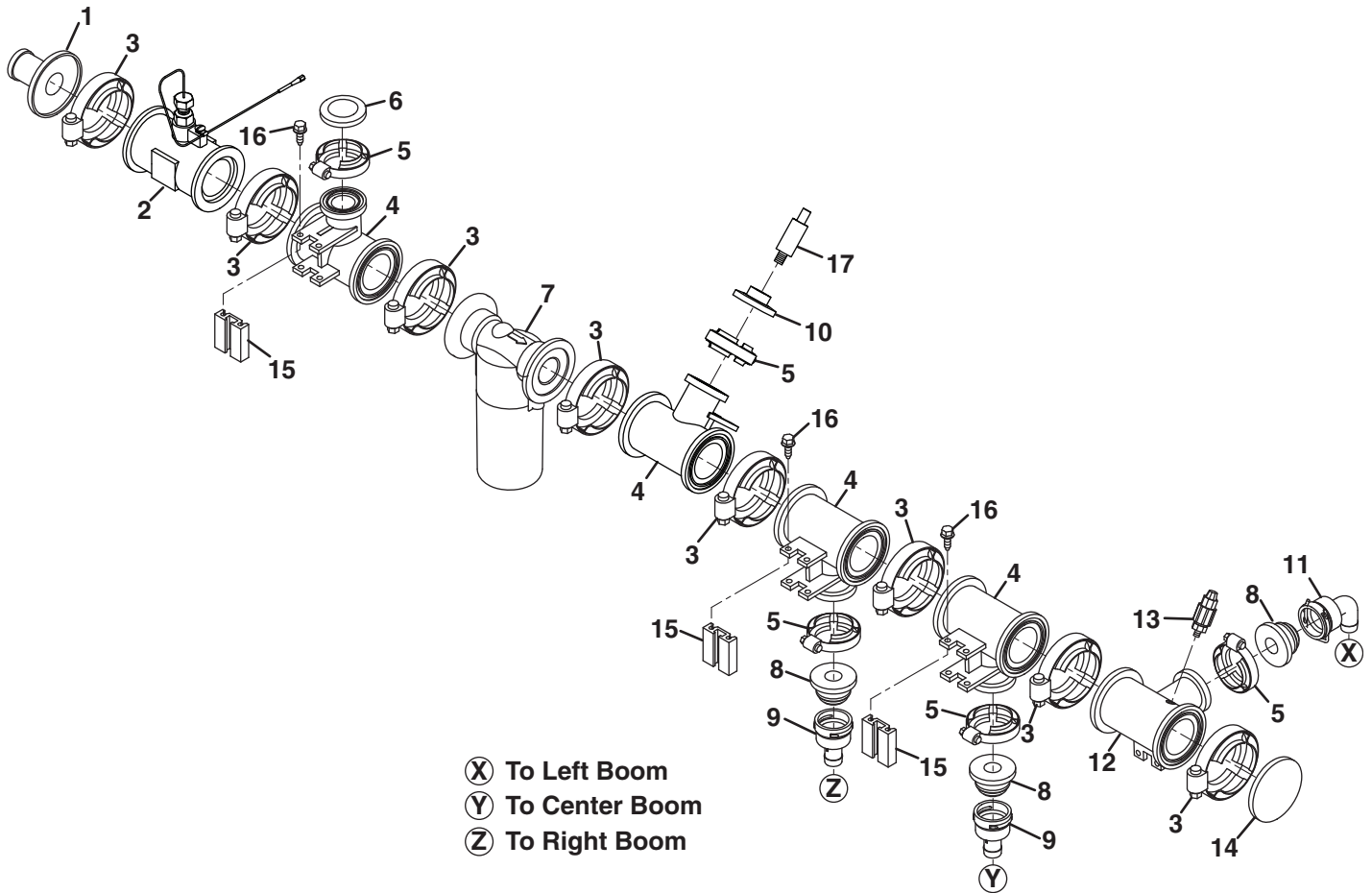
Item	Part No.	Qty.	Description
1	4319809	1	Adapter, #75 Flange to 1-1/4" Hose Barb
2	4319811	1	Tee, #50 Flange
3	4309736	4	Clamp, #75 Flange
4	4309751	1	Tee, #75 Flange x #50 Flange Branch
5	4319808	3	Clamp, #50 Flange
6	4319813	1	Cap, #50 Flange
7	4309746	1	Valve, #75 Electric 1" Butterfly
8	4309753	1	Elbow, #75 Flange x 1-1/4" Hose Barb
	4309735	1	Manifold, #75 Flange Electric
9	N/S	3	• Valve, Electric Ball
10	4309736	2	• Clamp, #75 Flange
11	4322307	3	• Rail, Mounting
12	4322987	12	• Screw, Stainless Steel
13	4320747	2	Fitting, Quick Connect x 3/4" Hose Barb
14	4319790	1	Elbow, Quick Connect x 3/4" Hose Barb
	4319812	1	Gauge Port, #50 Flange

SPRAYTEK XP

440 + Sharpshooter Manifold



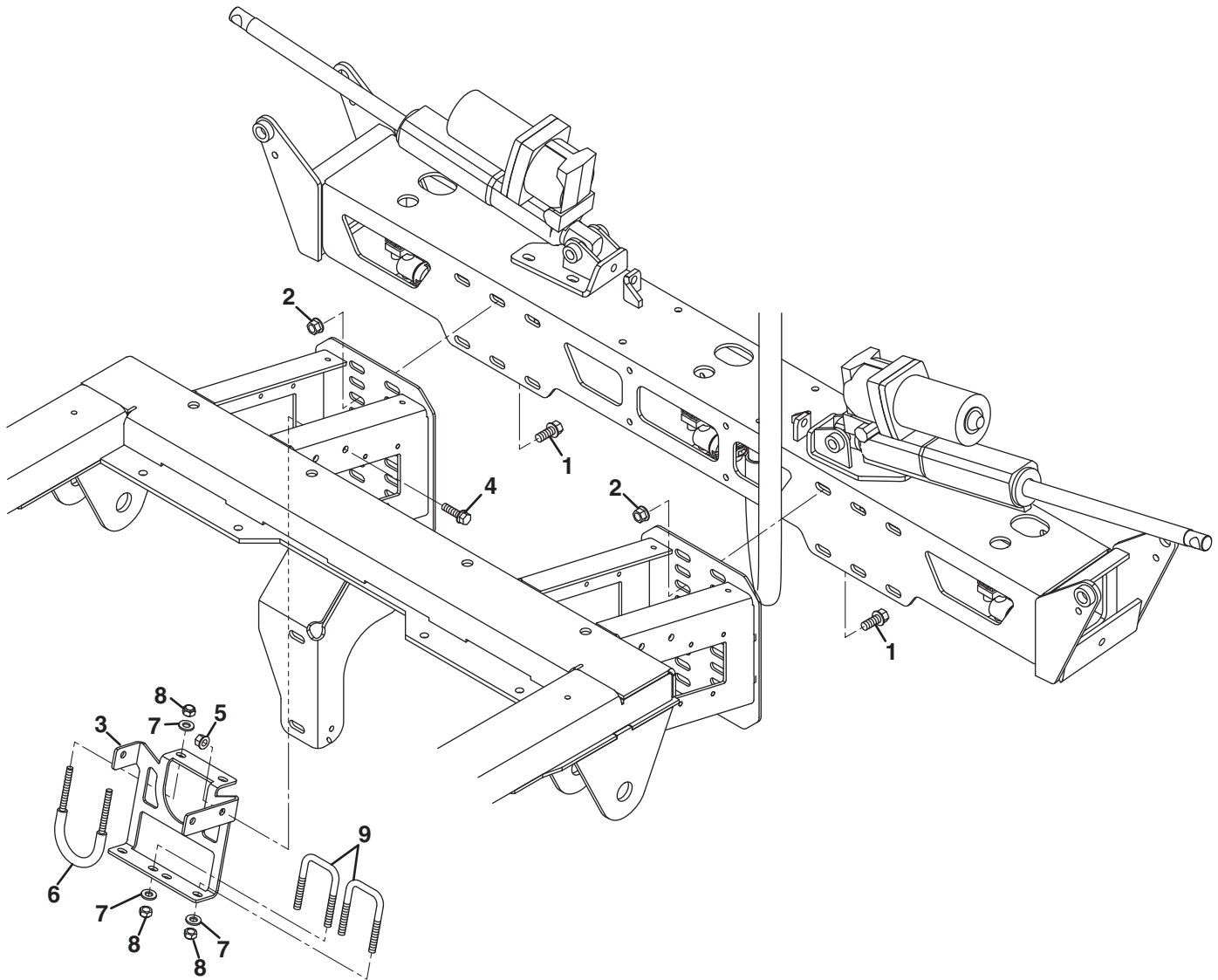
Item	Part No.	Qty.	Description
1	4319809	1	Adapter, #75 Flange to 1-1/4" Hose Barb
2	4309745	1	Flow Meter
3	4309736	7	Clamp, #75 Flange
4	4309751	2	Tee, #75 Flange x #50 Flange Branch
5	4319808	4	Clamp, #50 Flange
6	4319813	1	Cap, #50 Flange
7	4309746	1	Valve, #75 Electric 1" Butterfly
8	4309756	3	Adapter, #50 Flange to Quick Connect
9	4320747	1	Fitting, Quick Connect x 3/4" Hose Barb
10	4322311	2	Tee, #75 Flange x #50 Flange Branch (With Gauge Port)
11	4319790	2	Elbow, Quick Connect x 3/4" Hose Barb
12	4340426	1	Gauge, 160 PSI
13	4322990	1	Sensor, SharpShooter Pressure
14	4309754	1	Cap, #75 Flange
15	4322307	2	Rail, Mounting
16	4322987	8	Screw, Stainless Steel



Item	Part No.	Qty.	Description
1	4319809	1	Adapter, #75 Flange to 1-1/4" Hose Barb
2	4309745	1	Flow Meter
3	4309736	8	Clamp, #75 Flange
4	4309751	4	Tee, #75 Flange x #50 Flange Branch
5	4319808	5	Clamp, #50 Flange
6	4319813	1	Cap, #50 Flange
7	4309746	1	Valve, #75 Electric 1" Butterfly
8	4309756	3	Adapter, #50 Flange to Quick Connect
9	4320747	2	Fitting, Quick Connect x 3/4" Hose Barb
10	4319812	1	Adapter, #50 Flange to Gauge Port
11	4319790	1	Elbow, Quick Connect x 3/4" Hose Barb
12	4322311	1	Tee, #75 Flange x #50 Flange Branch (With Gauge Port)
13	4322990	1	Sensor, SharpShooter Pressure
14	4309754	1	Cap, #75 Flange
15	4322307	3	Rail, Mounting
16	4322987	12	Screw, Stainless Steel
17	4323047	1	Sensor, Envizio Pressure

SPRAYTEK XP

Boom Mount

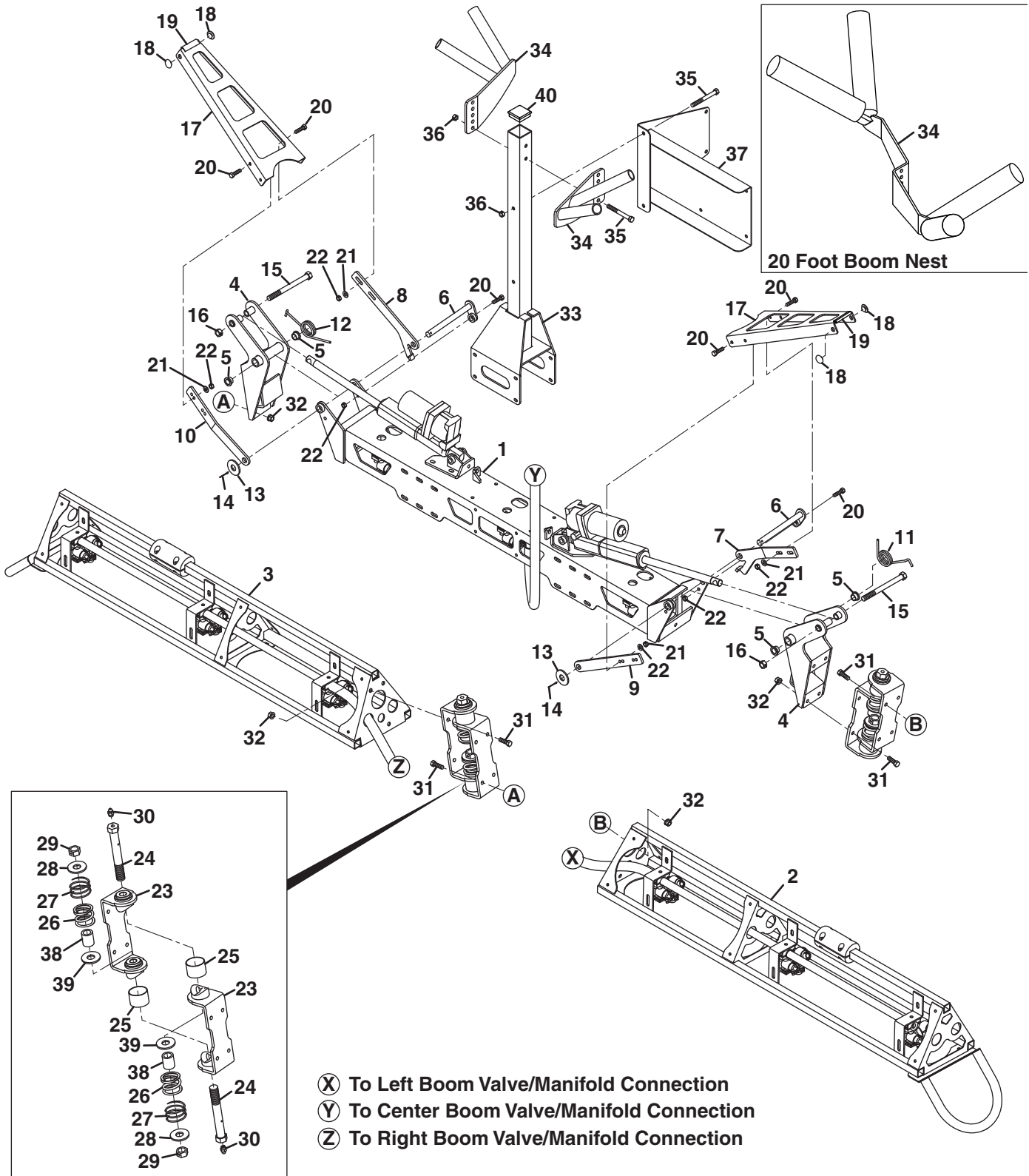


Item	Part No.	Qty.	Description
1	548905	8	Screw, 3/8-16 x 1" Hex Flange
2	548804	8	Nut, 3/8-16 Whizlock Flange
3	4324367	1	Mount, Power Hub (SharpShooter Boom Only)
4	400025	2	Screw, 5/16-18 x 7/8" Hex Flange (SharpShooter Boom Only)
5	548911	2	Nut, 5/16-18 Hex Flange (SharpShooter Boom Only)
6	4325033	1	Clamp, 2-1/2" Muffler (SharpShooter Boom Only)
7	453009	6	Flat Washer, 5/16 (SharpShooter Boom Only)
8	445802	4	Nut, 5/16-18 Nylon Insert (SharpShooter Boom Only)
9	4333806	2	U-Bolt, Square 5/16 (SharpShooter Boom Only)

SPRAYTEK XP

Boom Assembly

15 Foot Boom Shown. 18 Foot and 20 Foot Booms Similar

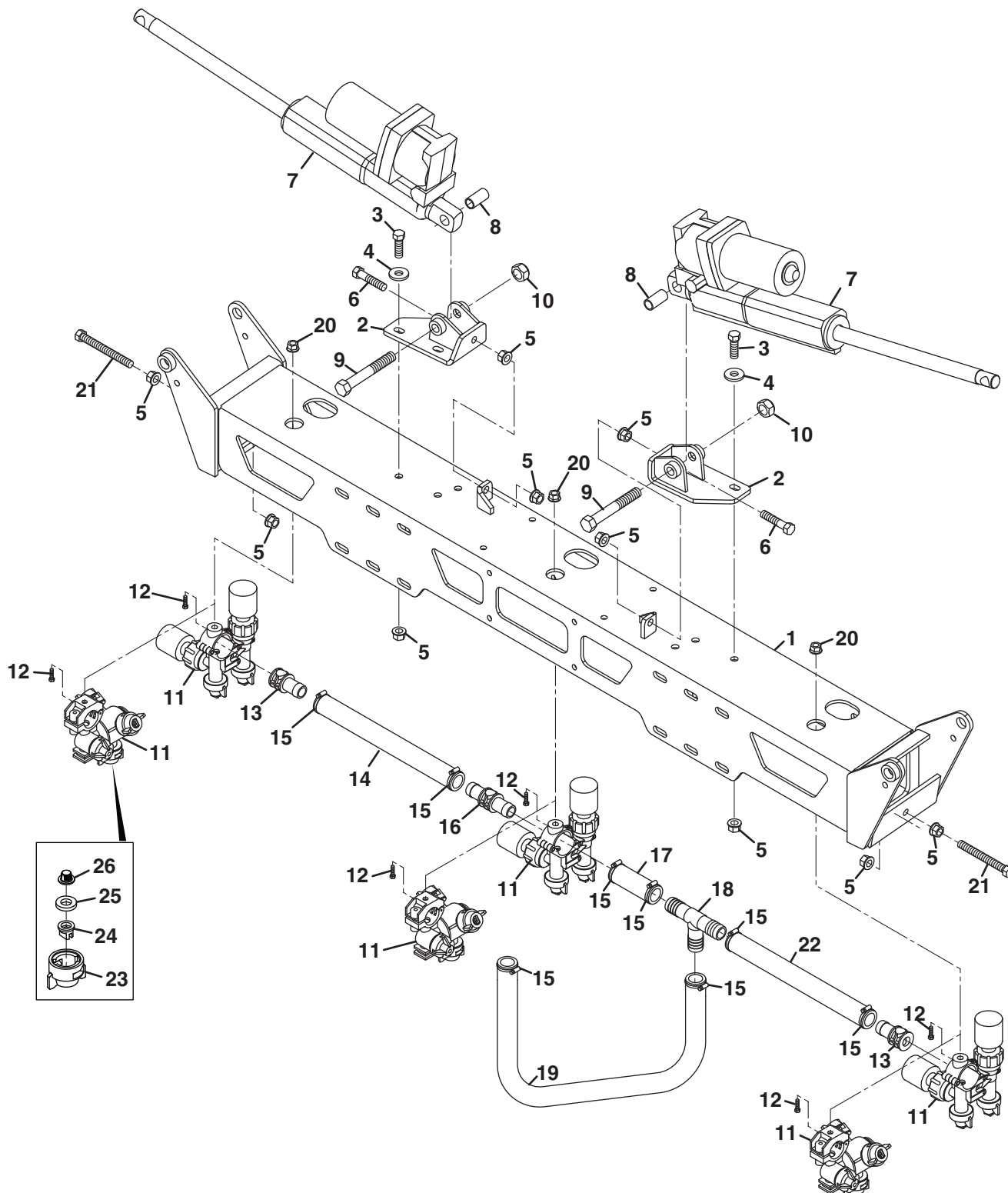


Item	Part No.	Qty.	Description
1	REF	1	Three Nozzle Center Boom, (15' and 18' Booms)
1	REF	1	Four Nozzle Center Boom, (20' Boom)
2	REF	1	Three Nozzle Left Boom, (15' Boom)
2	REF	1	Four Nozzle Left Boom, (18' and 20' Booms)
3	REF	1	Three Nozzle Right Boom, (15' Boom)
3	REF	1	Four Nozzle Right Boom, (18' and 20' Booms)
4	4332288	2	Arm, Pivot Hinge
5	4332306	4	Bushing
6	4332251	2	Pin, Hinge with Spacer
7	4332249	1	Limit Hinge, Left Side
8	4332246	1	Limit Hinge, Right Side
9	4332248	1	Lock Hinge, Left Side
10	4332211	1	Lock Hinge, Right Side
11	4332253	1	Spring, Left Side Torsion
12	4332252	1	Spring, Right Side Torsion
13		2	Machine Bushing
14	460050	2	Cotter Pin, 1/8 x 1"
15	400430	2	Screw, 1/2-13 x 5" Hex Head
16	800602	2	Nut, 1/2-13 Nylon Insert
17	4332210	2	Boom Lock
18	4332292	4	Insert, Rubber
19	4332307	2	Trim, 2-3/4"
20	400188	10	Screw, 5/16-18 x 1" Hex Head
21	364441	8	Spacer, 5/16"
22	445802	10	Nut, 5/16-18 Nylon Insert
23	4332190	2	Boom Hinge
24	4332196	4	Screw, 3/4-10 x 5-1/2" Tapped
25	4333507	4	Hose, Rubber Duct, 2" Lg
26	4332195	4	Spring, Outer Compression
27	4332247	4	Spring, Inner Compression
28	367031	4	Washer, Isolator
29		4	Locknut, 3/4-10 Hex Center
30	471214	4	Grease Fitting, 1/4-28 Straight
31	400262	16	Screw, 3/8-16 x 1" Hex Head
32	548804	8	Nut, 3/8-16 Whizlock Flange
33	4332208	1	Post, Boom Nest
34	4332255	2	Boom Nest, 2 Piece, (15' and 18' Booms)
34	4332207	1	Boom Nest, 1 Piece, (20' Boom)
35	400276	4	Screw, 3/8-16 x 3" Hex Head
36	445806	2	Nut, 3/8-16 Nylon Insert
37	4332194	1	Mount, Clean Load/Foam Marker
38	4332250	4	Sleeve, Spring
39	4332254	4	Shim, Spring
40		1	Cap, Rubber

SPRAYTEK XP

Three Nozzle Center Boom

15 Foot and 18 Foot Booms

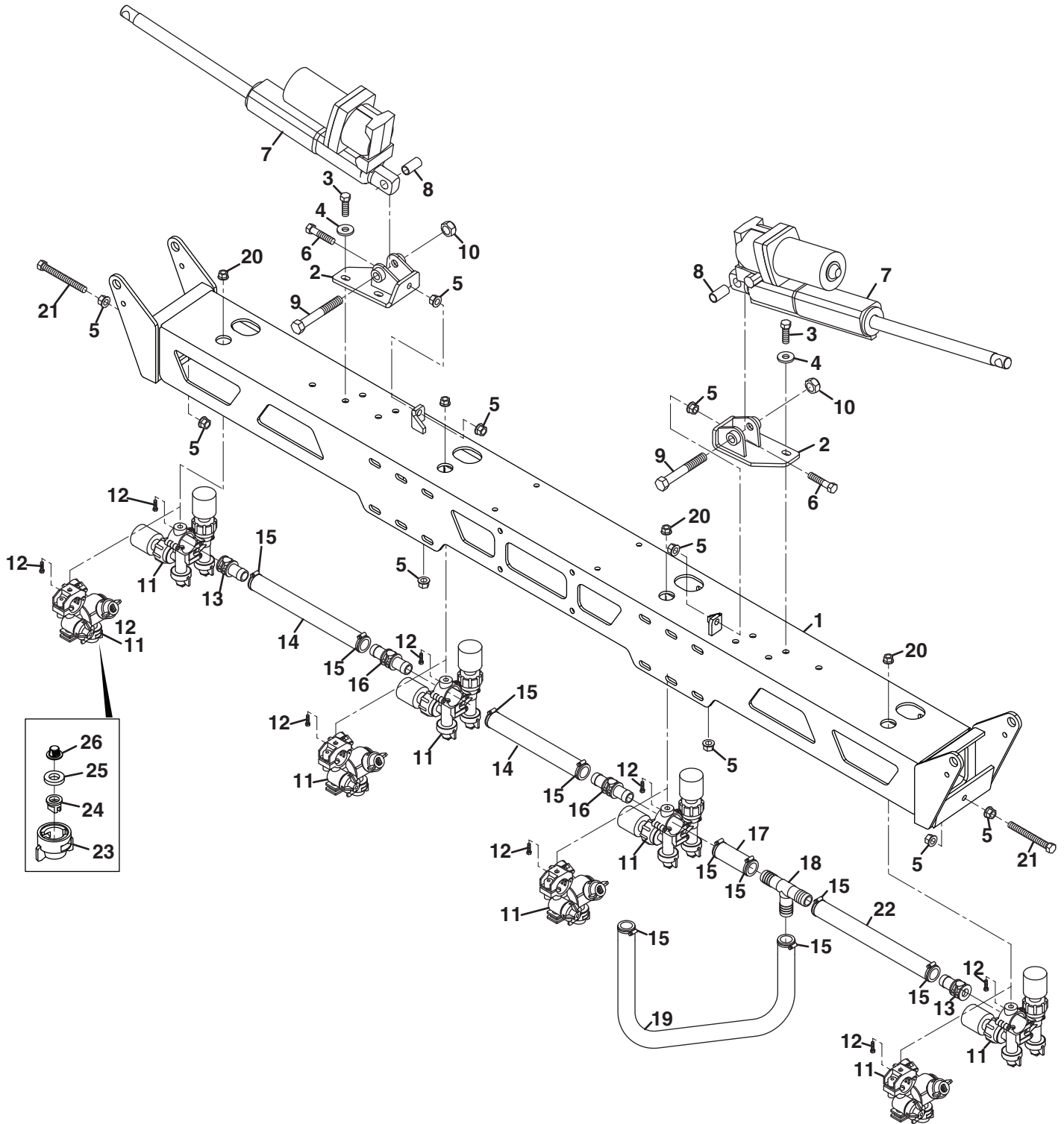


Item	Part No.	Qty.	Description
1	4332191	1	Boom, 3 Nozzle Center
2	4332287	2	Mount, Actuator
3	400262	6	Screw, 3/8-16 x 1" Hex Head
4	303873	6	Flat Washer, 3/8
5	548804	14	Nut, 3/8-16 Whizlock Flange
6	400266	2	Screw, 3/8-16 x 1-1/2" Hex Head
7	4332289	2	Actuator, 10 Inch
8	4332267	1	• Bushing
9	400430	2	Screw, 1/2-13 x 5-1/2" Hex Head
10	800602	2	Nut, 1/2-13 Nylon Insert
11	REF	3	Nozzle, Combo Jet (SharpShooter Boom)
11	REF	3	Nozzle, Triple (HD Boom)
12	400188	3	Screw, 5/16-18 x 1" Hex Head
13	4321546	2	Single Barb Connector
14	4333506	1	Hose, 3/4" I.D. PVC, 19" Lg
15	4319952	8	Clamp, Hose
16	4321548	1	Double Barb Connector
17	4333506	1	Hose, 3/4" I.D. PVC, 2.5" Lg
18	4321549	1	Tee, 3/4" Hose Barb
19	4333506	1	Hose, 3/4" I.D. PVC
20	445802	3	Nut, 5/16-18 Hex Flange
21	400266	2	Screw, 3/8-16 x 1-1/2" Hex Head
22	4333506	1	Hose, 3/4" I.D. PVC, 15.5" Lg
23	4334171	3	Cap, Nozzle Tip, (HD Boom)
24	4334166	3	Tip, XR-11006VP, (HD Boom)
25	4321553	3	Gasket, Nozzle, (HD Boom)
26	4334167	3	Strainer, 50 Mesh Poly, (HD Boom)

SPRAYTEK XP

Four Nozzle Center Section

20 Foot Boom

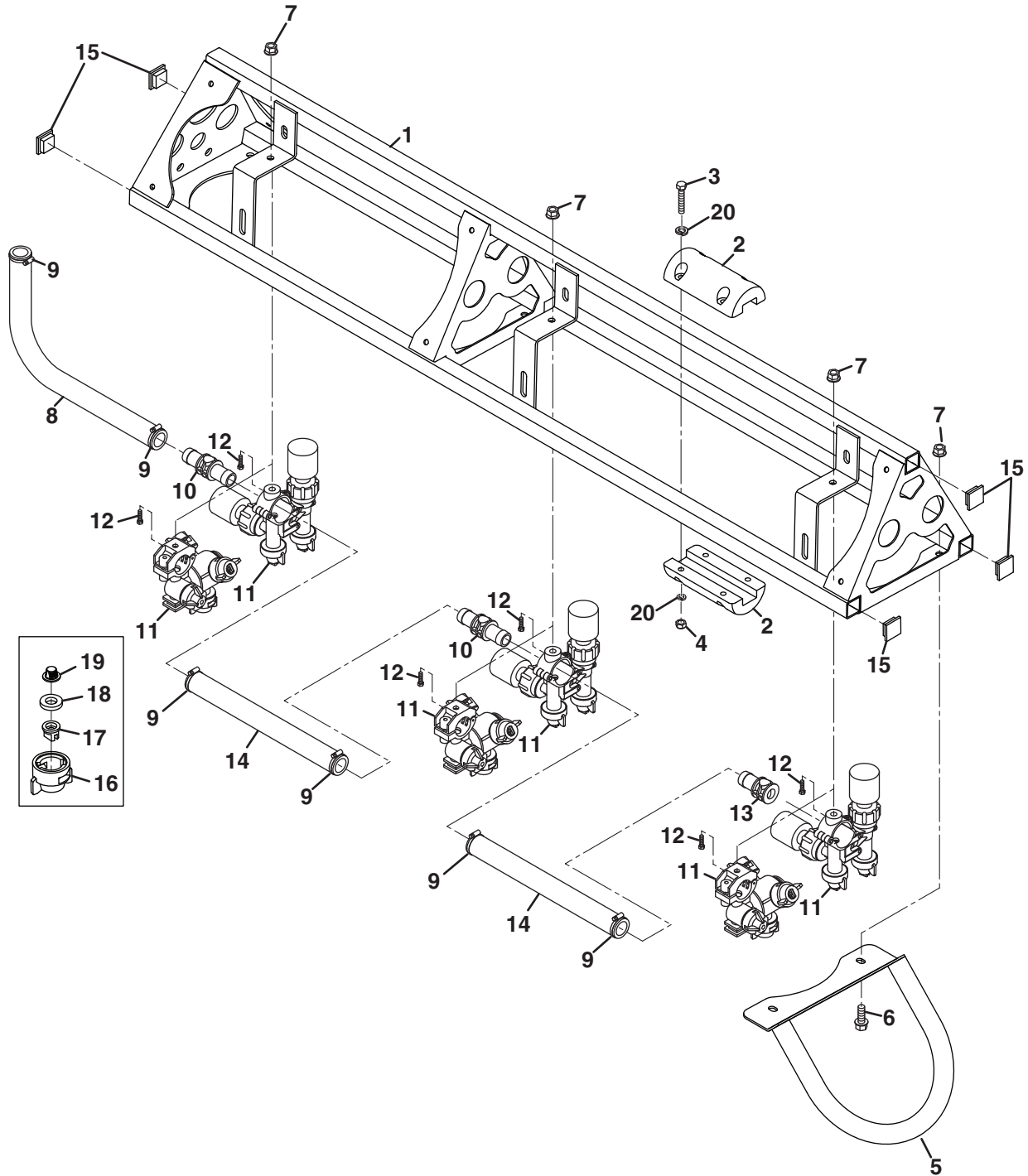


Item	Part No.	Qty.	Description
1	4332209	1	Boom, 4 Nozzle Center
2	4332287	2	Mount, Actuator
3	400262	6	Screw, 3/8-16 x 1" Hex Head
4	303873	6	Flat Washer, 3/8
5	548804	14	Nut, 3/8-16 Whizlock Flange
6	400266	2	Screw, 3/8-16 x 1-1/2" Hex Head
7	4332289	2	Actuator, 10 Inch
8	4332267	1	• Bushing
9	400430	2	Screw, 1/2-13 x 5-1/2" Hex Head
10	800602	2	Nut, 1/2-13 Nylon Insert
11	REF	4	Nozzle, Combo Jet (SharpShooter Boom)
11	REF	4	Nozzle, Triple (HD Boom)
12	400188	4	Screw, 5/16-18 x 1" Hex Head
13	4321546	2	Single Barb Connector
14	4333506	2	Hose, 3/4" I.D. PVC, 19" Lg
15	4319952	10	Clamp, Hose
16	4321548	2	Double Barb Connector
17	4333506	1	Hose, 3/4" I.D. PVC, 2.5" Lg
18	4321549	1	Tee, 3/4" Hose Barb
19	4333506	1	Hose, 3/4" I.D. PVC, 11" Lg
20	445802	4	Nut, 5/16-18 Hex Flange
21	400266	2	Screw, 3/8-16 x 1-1/2" Hex Head
22	4333506	1	Hose, 3/4" I.D. PVC, 15.5" Lg
23	4334171	4	Cap, Nozzle Tip, (HD Boom)
24	4334166	4	Tip, XR-11006VP, (HD Boom)
25	4321553	4	Gasket, Nozzle, (HD Boom)
26	4334167	4	Strainer, 50 Mesh Poly, (HD Boom)

SPRAYTEK XP

Three Nozzle Left Boom

15 Foot Booms

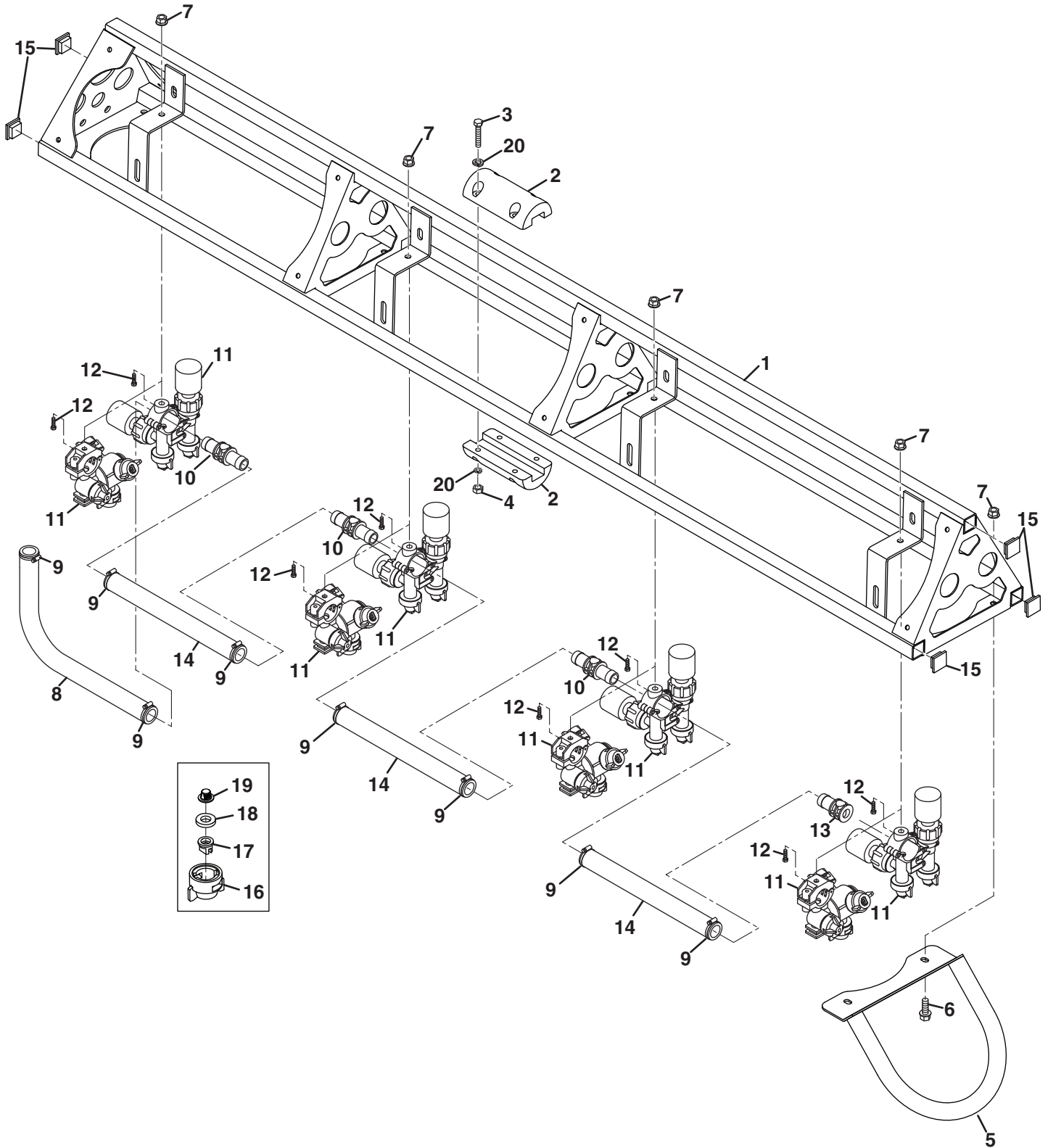


Item	Part No.	Qty.	Description
1	4332188	1	Boom, 3 Nozzle Left
2	4332206	1	Guide Block Set
3	400114	4	Screw, 1/4-20 x 1-1/4" Hex Head
4	445770	4	Nut, 1/4-20 Nylon Insert
5	4332197	1	Boom End Guard
6	403751	2	Screw, 5/16-18 x 3/4" Hex Flange
7	445802	5	Nut, 5/16-18 Hex Flange
8	4333506	1	Hose, 3/4" I.D. PVC
9	4319952	6	Clamp, Hose
10	4321548	2	Double Barb Connector
11	REF	3	Nozzle, Combo Jet (SharpShooter Boom)
11	REF	3	Nozzle, Triple (HD Boom)
12	400188	3	Screw, 5/16-18 x 1" Hex Head
13	4321546	1	Single Barb Connector
14	4333506	2	Hose, 3/4" I.D. PVC, 19" Lg
15	4332290	5	Plug, 1" Square
16	4334171	3	Cap, Nozzle Tip (HD Boom)
17	4334166	3	Tip, XR-11006VP (HD Boom)
18	4321553	3	Gasket, Nozzle (HD Boom)
19	4334167	3	Strainer, 50 Mesh Poly (HD Boom)
20	446128	8	Lock washer, 1/4"

SPRAYTEK XP

Four Nozzle Left Boom

18 Foot and 20 Foot Booms

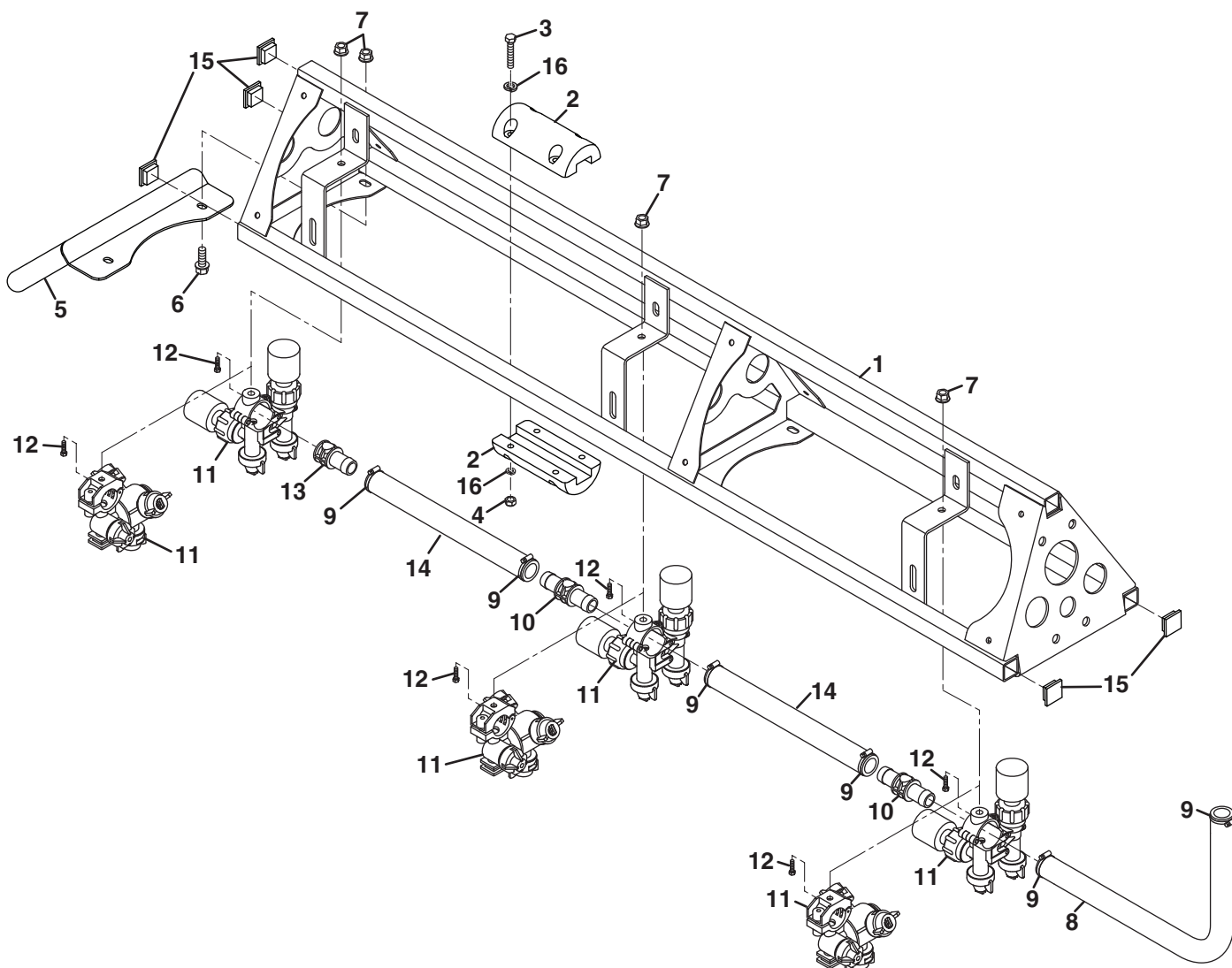


Item	Part No.	Qty.	Description
1	4332192	1	Boom, 4 Nozzle Left
2	4332206	1	Guide Block Set
3	400114	4	Screw, 1/4-20 x 1-1/4" Hex Head
4	445770	4	Nut, 1/4-20 Nylon Insert
5	4332197	1	Boom End Guard
6	403751	2	Screw, 5/16-18 x 3/4" Hex Flange
7	445802	6	Nut, 5/16-18 Hex Flange
8	4333506	1	Hose, 3/4" I.D. PVC
9	4319952	8	Clamp, Hose
10	4321548	3	Double Barb Connector
11	REF	4	Nozzle, Combo Jet (SharpShooter Boom)
11	REF	4	Nozzle, Triple (HD Boom)
12	400188	4	Screw, 5/16-18 x 1" Hex Head
13	4321546	1	Single Barb Connector
14	4333506	3	Hose, 3/4" I.D. PVC, 19" Lg
15	4332290	5	Plug, 1" Square
16	4334171	4	Cap, Nozzle Tip (HD Boom)
17	4334166	4	Tip, XR-11006VP (HD Boom)
18	4321553	4	Gasket, Nozzle (HD Boom)
19	4334167	4	Strainer, 50 Mesh Poly (HD Boom)
20	446128	8	Lock washer, 1/4"

SPRAYTEK XP

Three Nozzle Right Boom

15 Foot Booms

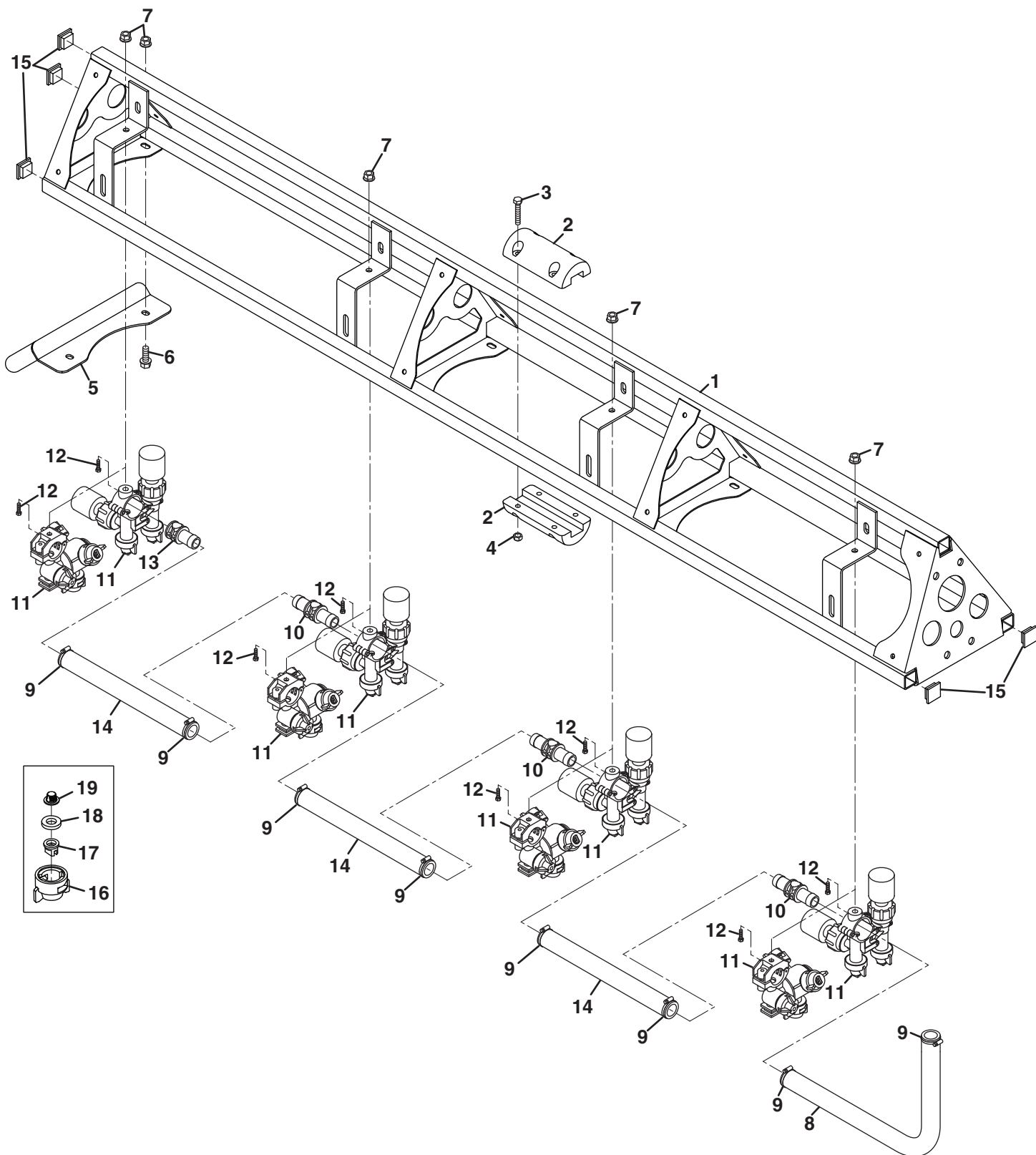


Item	Part No.	Qty.	Description
1	4332189	1	Boom, 3 Nozzle Right
2	4332206	1	Guide Block Set
3	400114	4	Screw, 1/4-20 x 1-1/4" Hex Head
4	445770	4	Nut, 1/4-20 Nylon Insert
5	4332197	1	Boom End Guard
6	403751	2	Screw, 5/16-18 x 3/4" Hex Flange
7	445802	5	Nut, 5/16-18 Hex Flange
8	4333506	1	Hose, 3/4" I.D. PVC
9	4332266	6	Clamp, Hose
10	4321548	2	Double Barb Connector
11	REF	3	Nozzle, Combo Jet (SharpShooter Boom)
11	REF	3	Nozzle, Triple (HD Boom)
12	400188	3	Screw, 5/16-18 x 1" Hex Head
13	4321546	1	Single Barb Connector
14	4333506	1	Hose, 3/4" I.D. PVC, 19" Lg
15	4332290	5	Plug, 1" Square
16	446128	8	Lock washer, 1/4"

SPRAYTEK XP

Four Nozzle Right Boom

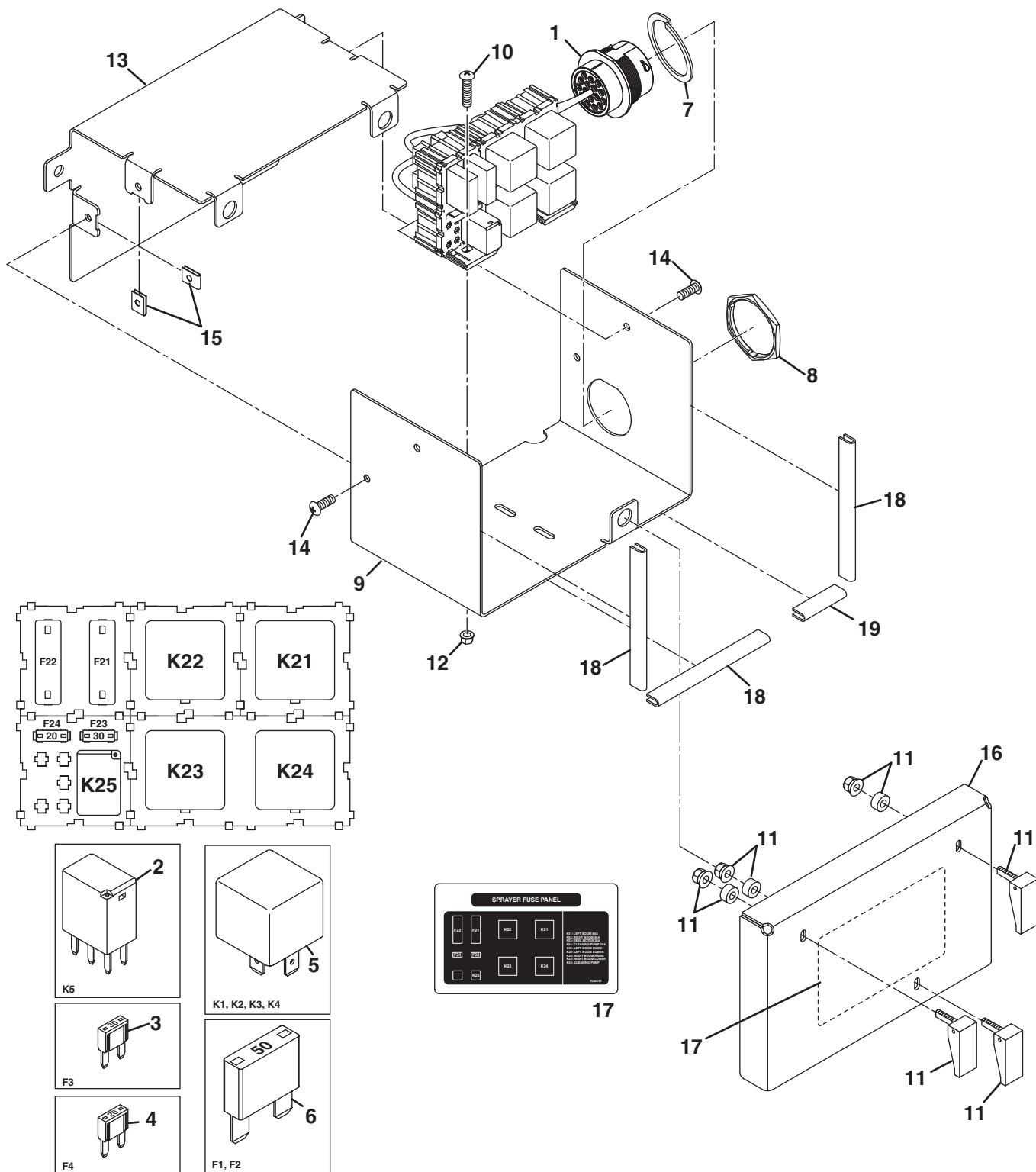
18 Foot and 20 Foot Booms



Item	Part No.	Qty.	Description
1	4332193	1	Boom, 4 Nozzle Right
2	4332206	1	Guide Block Set
3	400114	4	Screw, 1/4-20 x 1-1/4" Hex Head
4	445770	4	Nut, 1/4-20 Nylon Insert
5	4332197	1	Boom End Guard
6	403751	2	Screw, 5/16-18 x 3/4" Hex Flange
7	445802	6	Nut, 5/16-18 Hex Flange
8	4333506	1	Hose, 3/4" I.D. PVC
9	4319952	8	Clamp, Hose
10	4321548	3	Double Barb Connector
11	REF	4	Nozzle, Combo Jet (Sharp Shooter Boom)
11	REF	4	Nozzle, Triple (HD Boom)
12	400188	4	Screw, 5/16-18 x 1" Hex Head
13	4321546	1	Single Barb Connector
14	4333506	3	Hose, 3/4" I.D. PVC, 19" Lg
15	4332290	5	Plug, 1" Square
16	4334171	4	Cap, Nozzle Tip (HD Boom)
17	4334166	4	Tip, XR-11006VP (HD Boom)
18	4321553	4	Gasket, Nozzle (HD Boom)
19	4334167	4	Strainer, 50 Mesh Poly (HD Boom)
20	446128	8	Lock washer, 1/4"

SPRAYTEK XP

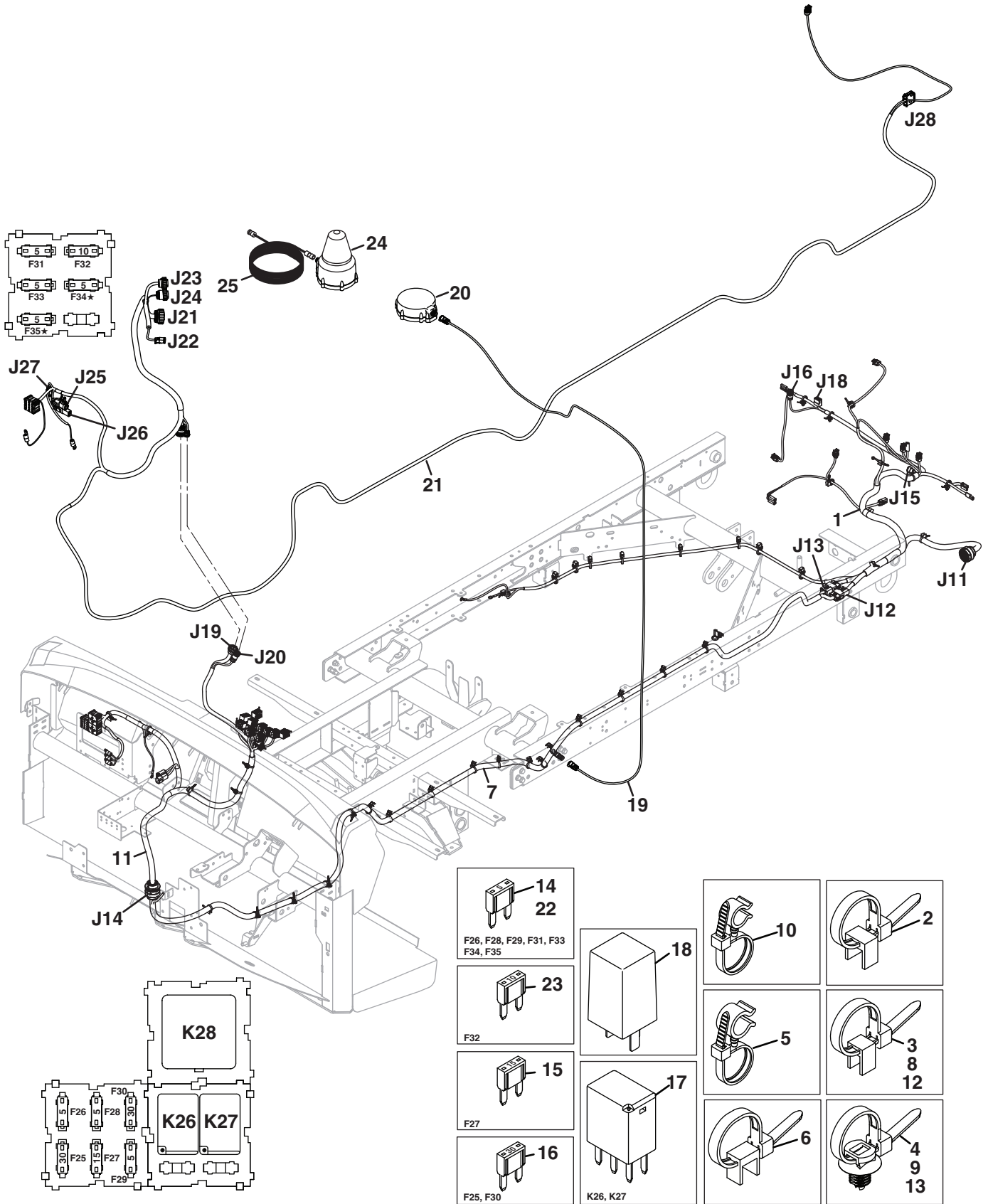
Relay Box



Item	Part No.	Qty.	Description
1	4321429	1	Harness, Spraytek Power
2	4329751	1	• Relay, 12V, 35A, 280 Micro
3	4312216	1	• Fuse, 30 Amp Mini
4	4312214	1	• Fuse, 20 Amp Mini
5	4193880	4	• Relay, 12V, 40 Amp SPDT
6	4220220	2	• Fuse, 50 Amp Maxi
7	554492	2	• Lockwasher, Size 24
8	554493	2	• Panel Nut, Size 24
9	4322669	1	Panel, Relay Box
10	403914	4	Screw, #10-24 x 3/4" Truss Head
11	3002098	3	Latch, Swell
12	800521	4	Nut, #10-24 Hex Flange
13	4322706	1	Panel, Relay Box
14	548900	4	Screw, #10-24 x 1/2" Hex Head
15	445207	4	Nut, #10-24 Tinnerman
16	4322668	1	Panel, Relay Box Cover
17	4325787	1	Decal, Relay Box
18	108194-A3	AR	Channel, Flex Trim, 4.8" Lg
19	108194-A3	AR	Channel, Flex Trim, 1.8" Lg

SPRAYTEK XP

Sprayer Harness Routing

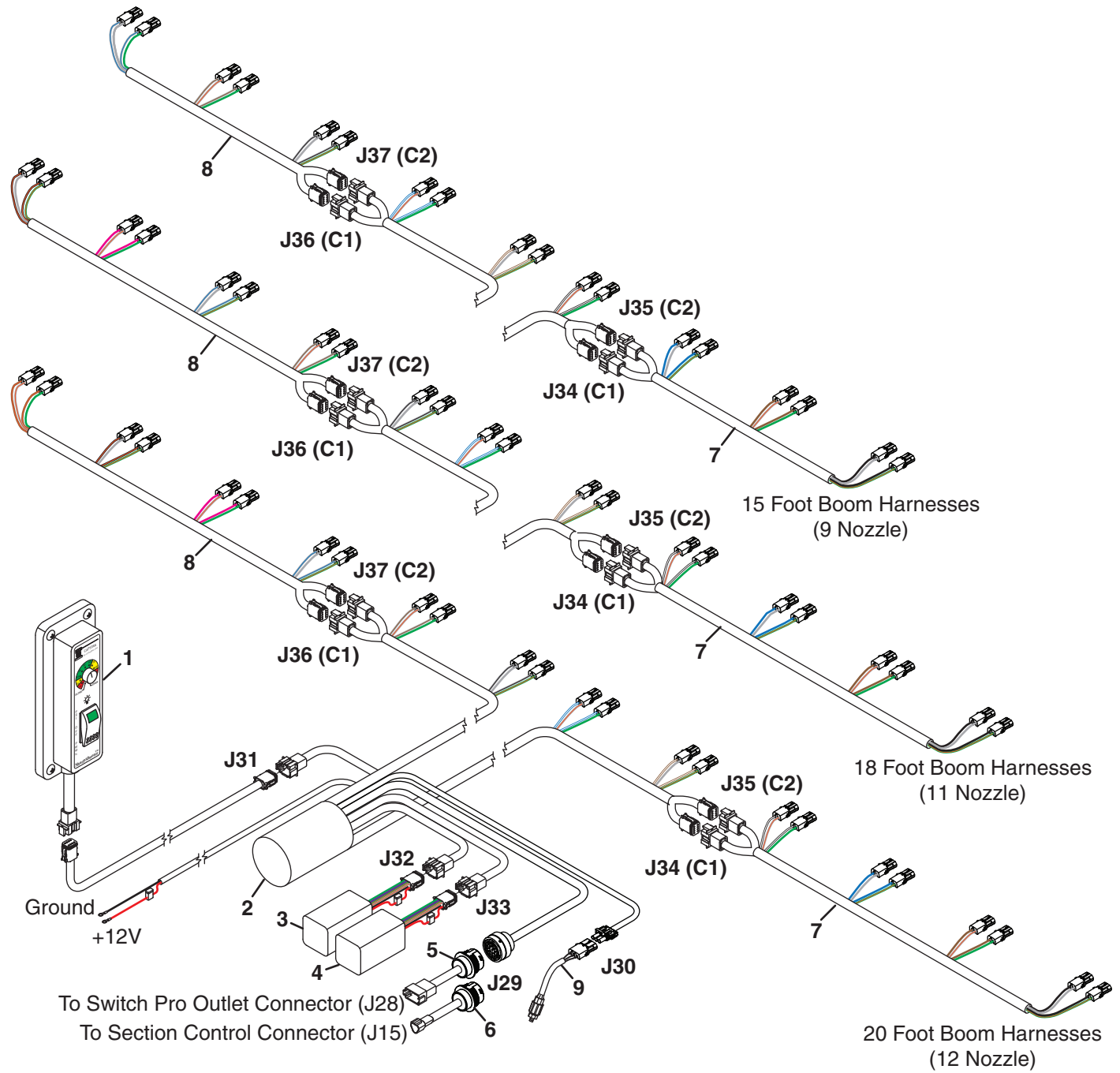


Item	Part No.	Qty.	Description
1	4321427	1	Harness, Sprayer Tank
2	4316368	3	• Cable Tie, 1/8 to 1/4" Edge Clip
3	4316369	3	• Cable Tie, 1/32 to 1/8" Edge Clip
4	4167640	3	• Cable Tie, Fir Tree
5		8	• Cable Tie, 11-13 mm Tube Clip
6	4333066	2	• Cable Tie, 1/32 to 1/8" Edge Clip
7	4321426	1	Harness, Sprayer Body
8	4316369	1	• Cable Tie, 1/32 to 1/8" Edge Clip
9	4167640	6	• Cable Tie, Fir Tree
10		11	• Cable Tie, 8-9 mm Tube Clip
11	4317650	1	Harness, Sprayer Console
12	4316369	3	• Cable Tie, 1/32 to 1/8" Edge Clip
13	4167640	2	• Cable Tie, Fir Tree
14	4312215	3	• Fuse, 5 Amp Mini
15	4312246	1	• Fuse, 15 Amp Mini
16	4312216	1	• Fuse, 30 Amp Mini
17	4329751	2	• Relay, 12V, 35A, 280 Micro
18	4332946	1	Relay, 12V, LED, 3 Pin Flasher (Raven 440 Controller)
19	4321430	1	Harness, GPS-Radar Extension
◆ 20	4309922	1	GPS, Phoenix 10 (Raven 440 Controller)
21	4325186	1	Harness, Envizio Pro II
★ 22	4312215	3	• Fuse, 5 Amp Mini
23	4312213	1	• Fuse, 10 Amp Mini
◆ 24		1	Kit, MBA-6 Antenna (Envizio Pro II Controller)
25		1	• Cable, Antenna
★	Place the 5 amp fuse in the F34 position to use the speed signal or place the fuse in the F35 position to use the GPS speed. Do not place a fuse in both the F34 and F35 positions.		
◆	GPS and MBA-6 Antenna mounts on the center of the Truckster XD ROPS top cross tube.		

SPRAYTEK XP

SharpShooter Harnesses

15 Foot, 18 Foot, 20 Foot SharpShooter Booms

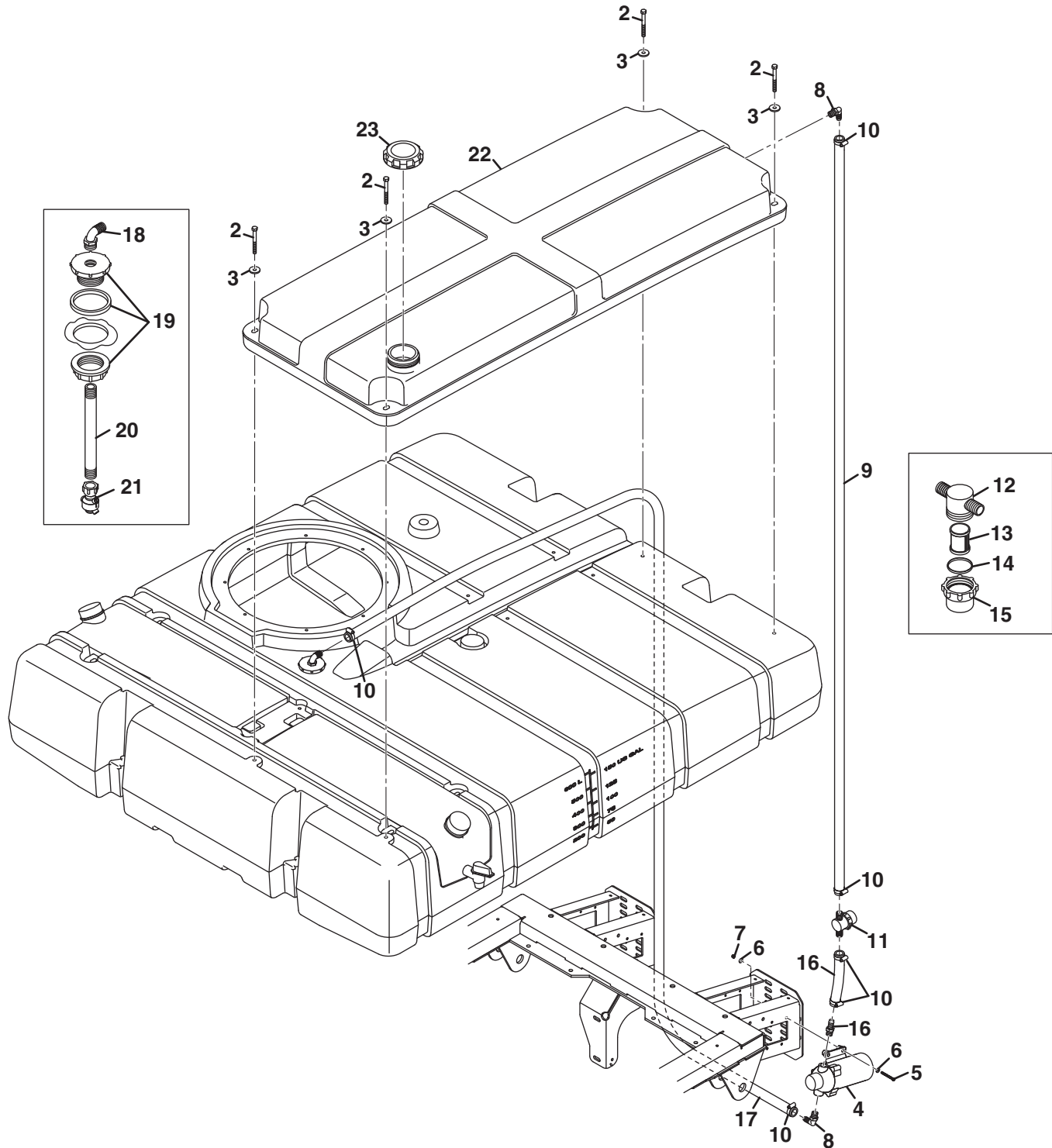


Item	Part No.	Qty.	Description
1		1	SharpShooter Pulse Generator
	5003280	1	• Fuse, 10 Amp Pulse Generator
2		1	Hub, 9 Nozzle SharpShooter Power (15' SharpShooter Boom)
2		1	Hub, 11 Nozzle SharpShooter Power (18' SharpShooter Boom)
2		1	Hub, 12 Nozzle SharpShooter Power (20' SharpShooter Boom)
	5003280	1	• Fuse, 10 Amp Power Hub
3		1	Driver, Boost Valve
	5003280	1	• Fuse, 10 Amp Boost Driver
4		1	Driver, Pulse Valve
	5003280	1	• Fuse, 10 Amp Pulse Driver
5	4325187	1	Harness, Envizio Pro II 9 Nozzle (15' SharpShooter Boom)
5	4325188	1	Harness, Envizio Pro II 11 Nozzle (18' SharpShooter Boom)
5	4325189	1	Harness, Envizio Pro II 12 Nozzle (20' SharpShooter Boom)
6	4325190	1	Harness, 440 + Sharpshooter 9 Nozzle (15' SharpShooter Boom)
6	4325191	1	Harness, 440 + Sharpshooter 11 Nozzle (18' SharpShooter Boom)
6	4325192	1	Harness, 440 + Sharpshooter 12 Nozzle (20' SharpShooter Boom)
7		1	Harness, Left 9 Nozzle (15' SharpShooter Boom)
7		1	Harness, Left 11 Nozzle (18' SharpShooter Boom)
7		1	Harness, Left 12 Nozzle (20' SharpShooter Boom)
8		1	Harness, Right 9 Nozzle (15' SharpShooter Boom)
8		1	Harness, Right 11 Nozzle (18' SharpShooter Boom)
8		1	Harness, Right 12 Nozzle (20' SharpShooter Boom)
9	4322990	1	Sensor, SharpShooter Pressure

SPRAYTEK XP

Clean Rinse Accessory

Accessory Part No. 4322149

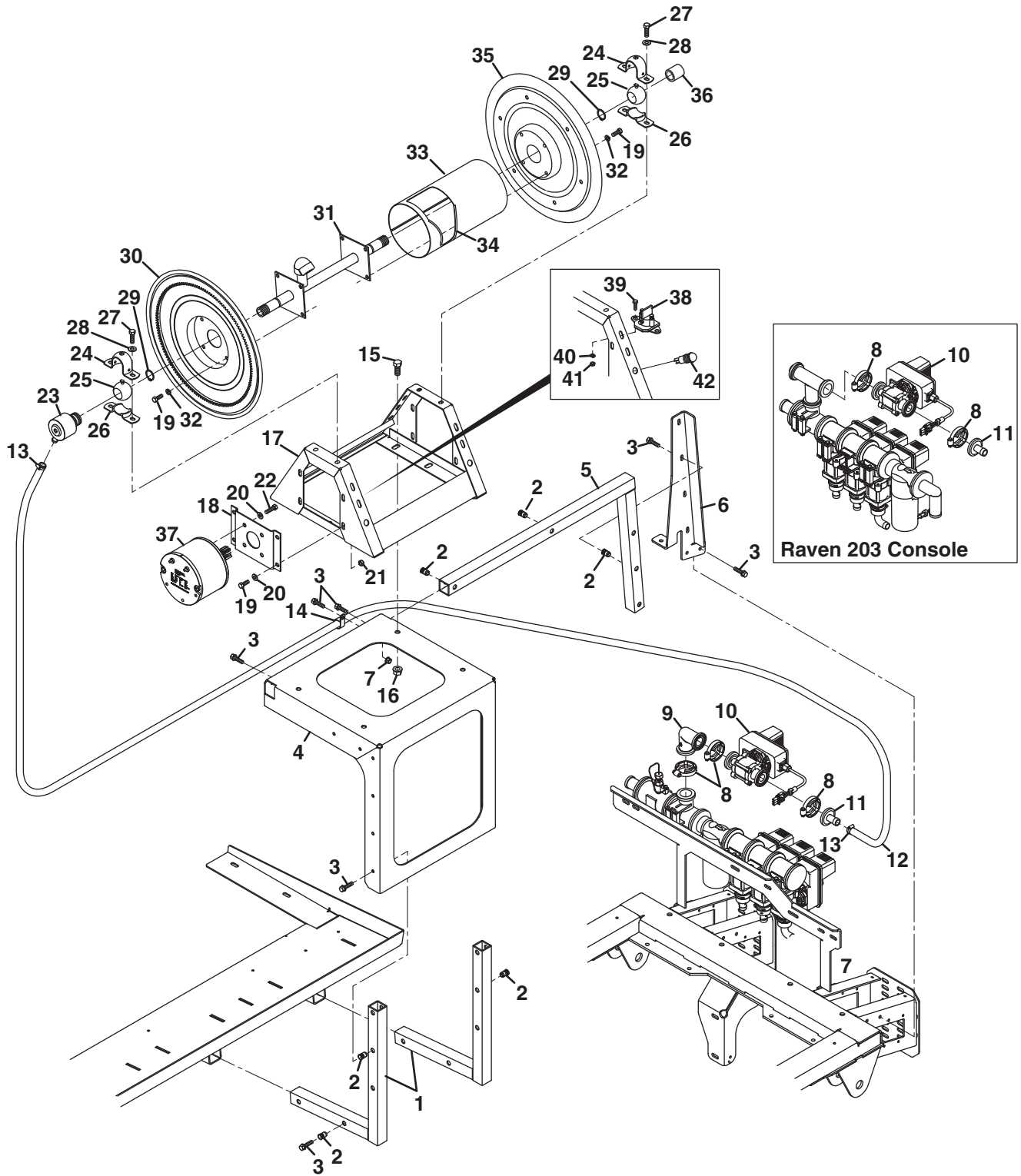


Item	Part No.	Qty.	Description
1	4130132	1	Switch, Clean Rinse (Not Shown)
2	400200	4	Screw, 5/16-18 x 2-1/2" Hex Head
3	367559	4	Flat Washer, Dia 1.625 inch
4	4324006	1	Pump, Clean Rinse
5	351003	4	Screw, #10-24 x 1-1/2" Slotted Hex
6	308089	8	Flat Washer, #10
7	548973	4	Nut, #10-24 Hex Stop
8	4322766	2	Fitting, 3/8 NPT x 1/2" Hose Barb 90°
9	4322770	AR	Hose, Clean Water Tank to Strainer
10	4319952	6	Clamp, 11/16 to 1-1/4" Hose
11	4323649	1	Strainer, 1/2" Hose Barb
12	4327187	1	• Top, Strainer
13	4327206	1	• Cage, 50 Micron Strainer
14	4327207	1	• Gasket
15	4327188	1	• Bowl, Transparent Nylon
16	4322886	1	Fitting, 3/8 NPT x 1/2" Hose Barb
17	4335455	AR	Hose, Pump to Sprayer Tank
18	4322146	1	Fitting, 1/2 NPT x 1/2" Hose Barb 90°
19	4319991	1	Fitting, 1/2 NPT Bulkhead
20	4322148	1	Nipple, 1/2 NPT x 8"
21	4322147	1	Nozzle, 1/2 NPT
22	4322028	1	Tank, Rinse Water
23	4331026	1	• Cap, Clean Rinse Tank

SPRAYTEK XP

Electric Rewind Hose Reel

Accessory Part No. 4335026

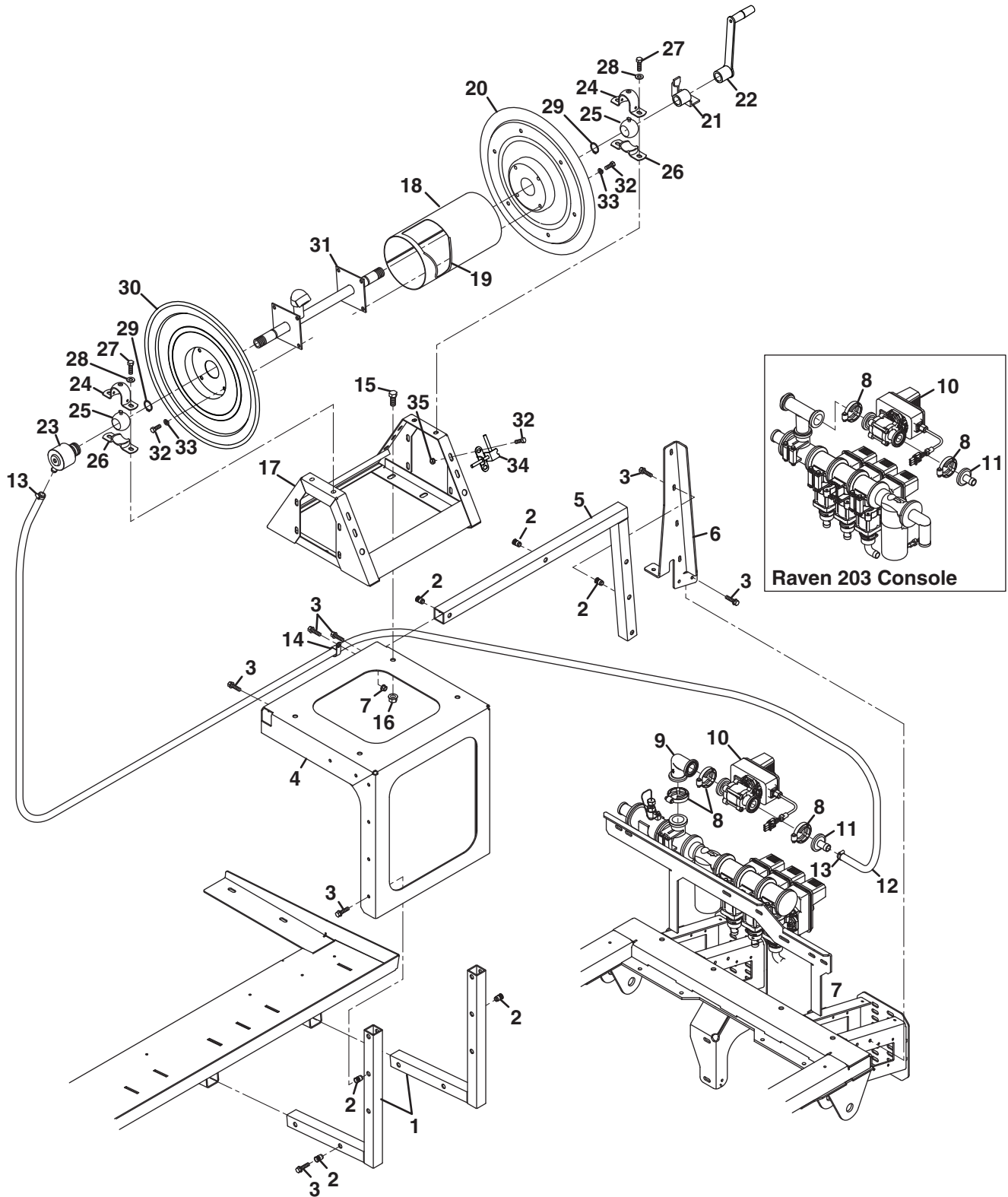


Item	Part No.	Qty.	Description
1	4329186	2	Support, Hose Reel
2	400150	12	Nut, 5/16-18 Insert Clinch
3	800710	15	Screw, 5/16-18 x 1" Hex Flange
4	4394554	1	Platform, Hose Reel
5	4331296	1	Support, Rear Hose Reel
6	4331295	1	Bracket, Rear Hose Reel
7	548911	3	Nut, 5/16-18 Hex Flange
8	4319808	3	Clamp, #50 Flange
9	4320707	1	Elbow, #50 Flange
10	4321326	1	Valve, #50 Flange 2-Way Electric Ball
11	4324106	1	Fitting, #50 Flange x 3/4" Hose Barb
12	4335456	AR	Hose, Valve to Hose Reel, 57" Lg
13	4319952	2	Clamp, 11/16 to 1-1/4" Hose
14	831225	2	Clamp, Hose
15	400404	4	Screw, 1/2-13 x 1" Hex Head
16	800379	4	Nut, 1/2-13 Hex Flange
	4320728	1	Hose Reel, Electric Rewind
17		1	• Frame, Hose Reel
18		1	• Mount, Motor
19	400184	12	• Screw, 5/16-18 x 3/4" Hex Head
20	364441	8	• Flat Washer, 5/16
21	445802	4	• Nut, 5/16-18 Nylon Insert
22	400188	4	• Screw, 5/16-18 x 1" Hex Head
23		1	• Swivel, Hose Inlet
24		2	• Mount, Top Pillow Block
25		2	• Ball, Bearing
26		2	• Mount, Bottom Pillow Block
27	400262	4	• Screw, 3/8-16 x 1" Hex Head
28	303873	4	• Flat Washer, 3/8
29		2	• Retaining Ring
30		1	• Disk, Gear Reel
31		1	• Axle, Hose Reel
32	446134	8	• Lockwasher, 5/16
33		1	• Drum, Center
34		1	• Trim
35		1	• Disk, Reel
36		1	• Cap, 3/4 NPT
37		1	• Motor, Electric Rewind Hose Reel
38		1	• Solenoid, Motor
39	400108	2	• Screw, 1/4-20 x 3/4"
40	446128	2	• Lockwasher, 1/4
41	443102	2	• Nut, 1/4-20 Hex
42		1	• Switch, Push Button
43	4130132	1	Switch, Hose Reel Valve (Not Shown)

SPRAYTEK XP

Manual Rewind Hose Reel

Accessory Part No. 4322126

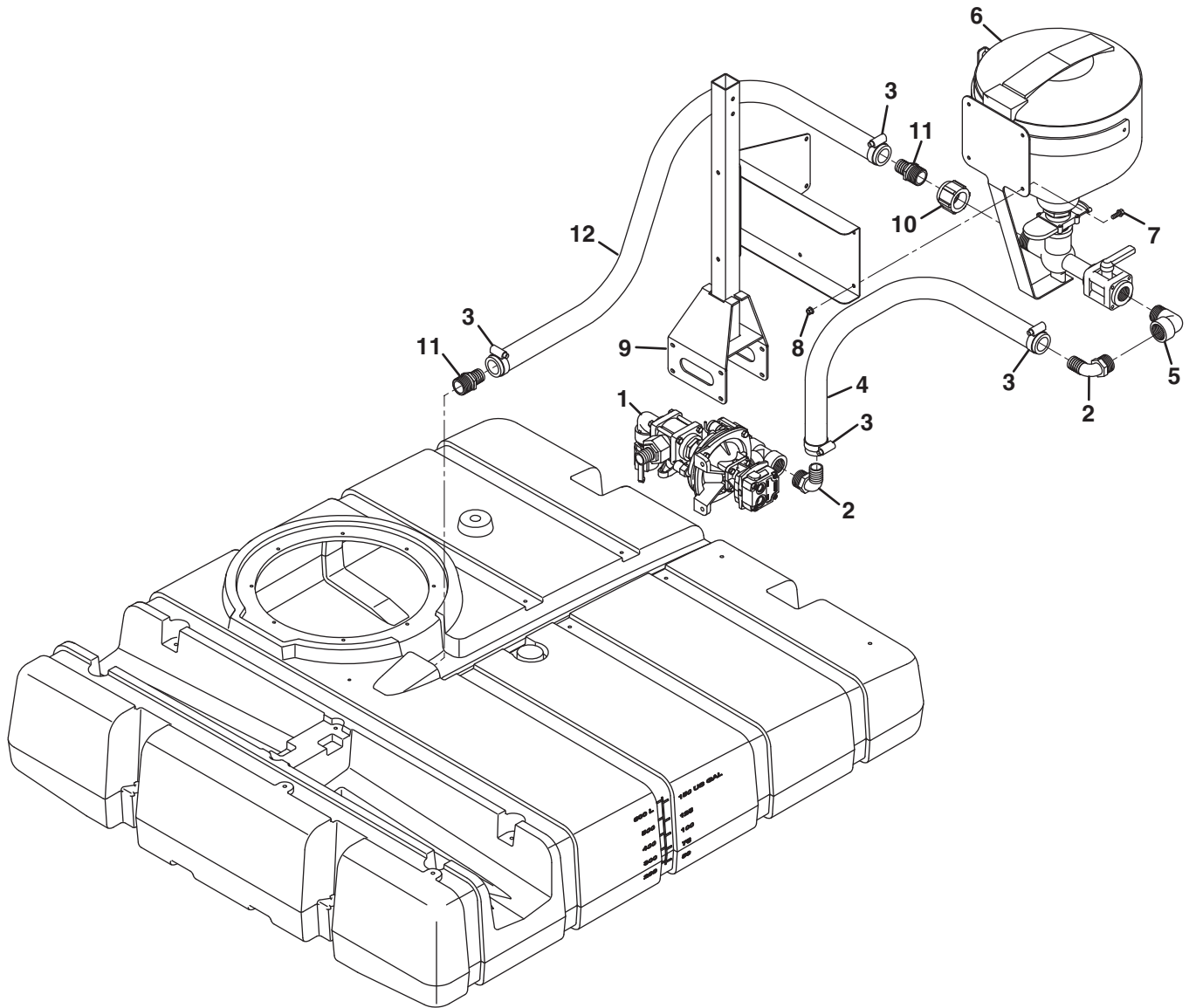


Item	Part No.	Qty.	Description
1	4329186	2	Support, Hose Reel
2	400150	12	Nut, 5/16-18 Insert Clinch
3	800710	16	Screw, 5/16-18 x 1" Hex Flange
4	4322127	1	Platform, Hose Reel
5	4331296	1	Support, Rear Hose Reel
6	4340466	1	Bracket, Rear Hose Reel
7	548911	4	Nut, 5/16-18 Hex Flange
8	4319808	3	Clamp, #50 Flange
9	4320707	1	Elbow, #50 Flange
10	4321326	1	Valve, #50 Flange 2-Way Electric Ball
11	4324106	1	Fitting, #50 Flange x 3/4" Hose Barb
12	4335456	AR	Hose, Valve to Hose Reel, 57" Lg
13	4319952	2	Clamp, 11/16 to 1-1/4" Hose
14	831225	1	Clamp, Hose
15	400404	4	Screw, 1/2-13 x 1" Hex Head
16	800379	4	Nut, 1/2-13 Hex Flange
	4320726	1	Hose Reel, Manual Rewind
17		1	• Frame, Hose Reel
18		1	• Drum, Center
19		1	• Trim
20		1	• Disk, Reel
21		1	• Brake
22		1	• Crank
23		1	• Swivel, Hose Inlet
24		2	• Mount, Top Pillow Block
25		2	• Ball, Bearing
26		2	• Mount, Bottom Pillow Block
27	400262	4	• Screw, 3/8-16 x 1" Hex Head
28	303873	4	• Flat Washer, 3/8
29		2	• Retaining Ring
30		1	• Disk, Reel
31		1	• Axle, Hose Reel
32	400184	10	• Screw, 5/16-18 x 3/4" Hex Head
33	446134	8	• Lockwasher, 5/16
34		1	• Lock Pin
35	445802	2	• Nut, 5/16-18 Nylon Insert
36	4130132	1	Switch, Hose Reel Valve (Not Shown)

SPRAYTEK XP

Cleanload Accessory

Accessory Part No. 4319791

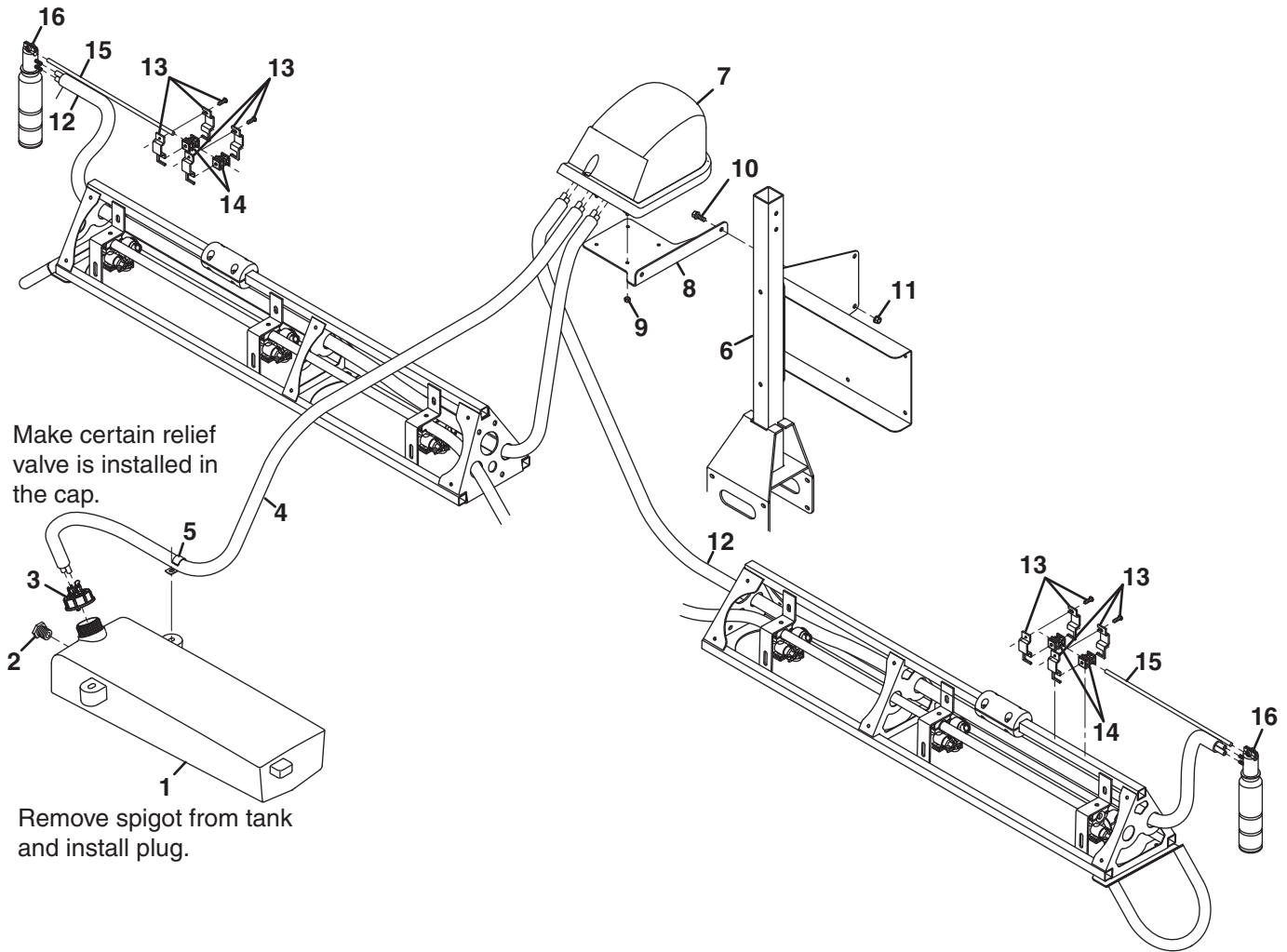


Item	Part No.	Qty.	Description
1	REF	1	Sprayer Pump Assembly
2	4309755	2	Elbow, 1-1/4" NPT x 1-1/4" Hose Barb
3	4319953	4	Clamp, 1-1/16" to 2" Hose
4		AR	Hose, 3/4" Pump to Cleanload
5	4319950	1	Elbox, 1-1/4" NPT Street
6	4324168	1	Cleanload Assembly
7	403751	4	Screw, 5/16-18 x 3/4" Hex Flange
8	548911	4	Nut, 5/16-18 Hex Flange
9	REF	1	Boom Nest Post Assembly
10	4319968	1	Adapter, 1-1/2 NPT to 1-1/4 NPT
11	4309742	2	Fitting, 1-1/4 NPT x 1-1/4" Hose Barb
12		AR	Hose, 3/4" Cleanload to Tank

SPRAYTEK XP

Foam Marker

Accessory Part No. 4322369

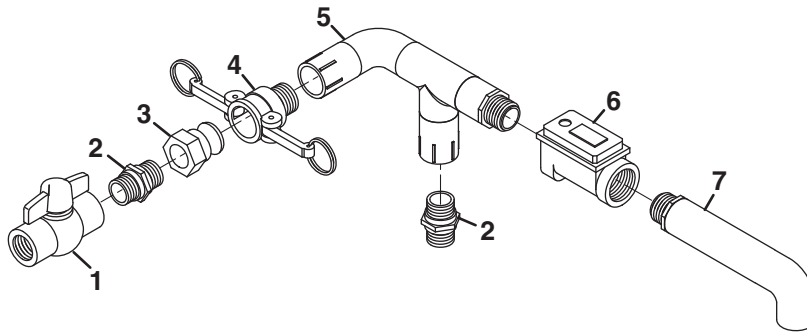


Item	Part No.	Qty.	Description
1	4319646	1	Tank, 4 Gallon
2	4325789	1	Plug, 3/4" NPT
3	4322374	1	Cap, Foam Marker
4	4324110	1	Hose, Foam Tank to Compressor
5	4340406	1	Clamp, J-Style
6	REF	1	Boom Nest Post Assembly
7	4322370	1	Compressor, Foam Marker
8	4322372	1	Bracket, Compressor
9	450377	4	Nut, M6-1 Nylon Insert
10	403751	2	Screw, 5/16-18 x 3/4" Hex Flange
11	548911	2	Nut, 5/16-18 Hex Flange
12	4324110	2	Hose, Foam Compressor to Nozzle
13	4323666	4	Clamp, Boom
14	4321627	4	Mount, Foam Nozzle
15	4320587	2	Rod, Foam Marker Mount
16	4321626	2	Nozzle, Foam Marker
17	4130132	1	Switch, Foam Power (Not Shown)
18	4316067	1	Switch, Foam Select (Not Shown)

SPRAYTEK XP

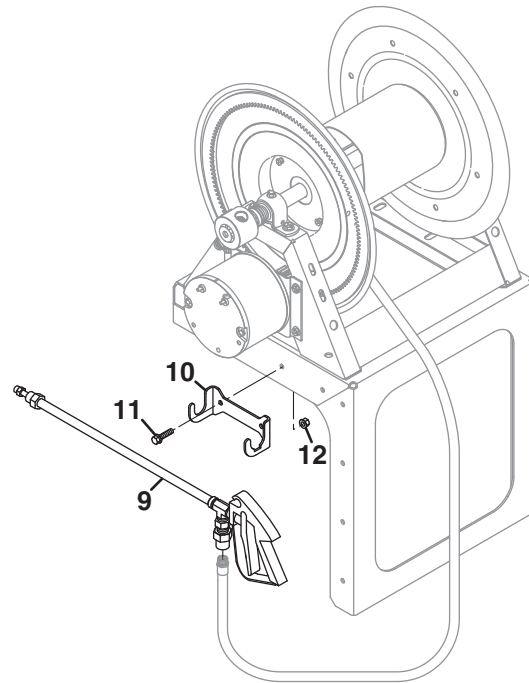
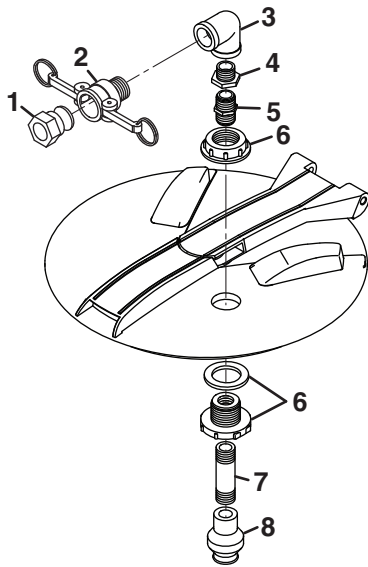
Water Meter Accessories

Accessory Part No. 4320593 and 4324337




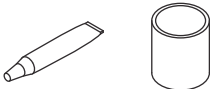
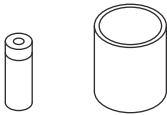

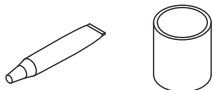

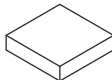
Item	Part No.	Qty.	Description
1	4319970	1	Valve, 1" NPT 2-Way Manual Ball
2	4319926	2	Nipple, 1" NPT
3	4319932	1	Coupler, 1" NPT Male Cam
4	4319933	1	Coupler, 1" NPT Female Cam
5	4321728	1	Pipe, Air Gap Filler Inlet
6	4321726	1	Flow Meter, Digital Water (Gallon) (Accessory 4320593)
6	4323446	1	Flow Meter, Digital Water (Liter) (Accessory 4324337)
7	4321727	1	Pipe, Air Gap Outlet

Tank Rinse and Spray Gun Accessory Part No. 4320588 and 4323628



Item	Part No.	Qty.	Description
	4320588	1	Tank Rinse Hose Connection
1	4319932	1	• Coupler, 1" NPT Male Cam
2	4319933	1	• Coupler, 1" NPT Female Cam
3		1	• Elbow, 1" NPT
4		1	• Adapter, 1" NPT x 3/4" NPT
5	4319889	1	• Nipple, 3/4" NPT
6	4319828	1	• Fitting, 3/4" NPT Bulkhead
7		1	• Nipple, 3/4" NPT x 4"
8		1	• Nozzle, Tank Rinse
	4323628	1	Spray Gun Accessory
9	4330941	1	• Spray Gun
10	4323630	1	• Mount, spray gun
11	800710	2	• Screw, 5/16-18 x 1" Hex Flange
12	548911	2	• Nut, 5/16-18 Hex Flange

Fluids and Compounds

Hydraulic Fluid*		
5001405	Two 2-1/2 Gallon Container of ISO VG68 Oil	
5001404	One 5 Gallon Pail of ISO VG68 Oil	
2500548	Two 2-1/2 Gallon Container of 10W30 Oil	
2500546	One 5 Gallon Pail of 10W30 Oil	
503409	Two 2-1/2 Gallon Container of ATF Fluid	
503407	One 5 Gallon Pail of ATF Fluid	
Grease		
5000067	One 5 Gallon Pail OO-Grease	
5000068	Twenty Four 8 Ounce Tube OO-Grease	
Paint		
4184140	12 Ounce Orange Aerosol Can	
838140	16 Ounce Ransomes Green Aerosol Can	
4112764	1 Quart Can Ransomes Green	
Lapping Compound		
5002488	One 10 Pound Pail of 80 Grit	
5002490	One 25 Pound Pail of 80 Grit	
5002489	One 10 Pound Pail of 120 Grit	
5002491	One 25 Pound Pail of 120 Grit	
Specialty Compound		
365422	5.3 Ounce Tube of Electrical Insulating Gel	
5001581	14 Ounce Can of Lubriplate Multi Lube A	
Biodegradable Hydraulic Fluid*		
5003102	One 55 Gallon Drum GreensCare 68	
5003103	One 5 Gallon Pail GreensCare 68	
4294332	One 55 Gallon Drum GreensCare 68 Plus	
4219840	One 5 Gallon Pail GreensCare Plus 68	
5003105	One 55 Gallon Drum GreensCare 46	
5003104	One 5 Gallon Pail GreensCare 46	
4294331	One 55 Gallon Drum GreensCare 46 Plus	
4219860	One 5 Gallon Pail GreensCare Plus 46	
4115977	One 5 Gallon Pail Greens Care 32	
4114701	GreensCare Bio-Flush	
5003106	Twenty Four 14 Ounce Tube Greens Care Grease	
O-Ring Kit		
5002452	SAE O-Ring Boss (3/32 ~ 2" Tube O.D.)	
5002453	Common O-Ring Kit	
5002454	O-Ring Face Seal ORFS (-4 ~ -24 ORS Tube Size)	
On-Time Maintenance Kit		
See your local TSV Dealer		



CUSHMAN®
LET'S WORK.®

Textron Specialized Vehicles, Inc.
1451 Marvin Griffin Road
Augusta, Georgia 30906 - 3852 USA

CONTACT US:

North America:

Technical Assistance & Warranty Phone: 1-800-774-3946, FAX: 1-800-448-8124
Service Parts Phone: 1-888-438-3946, FAX: 1-800-752-6175

International:

Phone: 001-706-798-4311, FAX: 001-706-771-4609

Service Parts Manuals and Repair and Service Manuals
are available from a local Distributor, or an authorized Branch,
TSV Parts & Accessories Department or at www.cushman.com.

Copyrighted Material

This manual may not be reproduced in whole
or in part without the express permission of
TSV Technical Communications Department