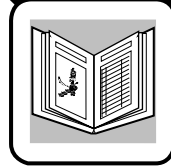


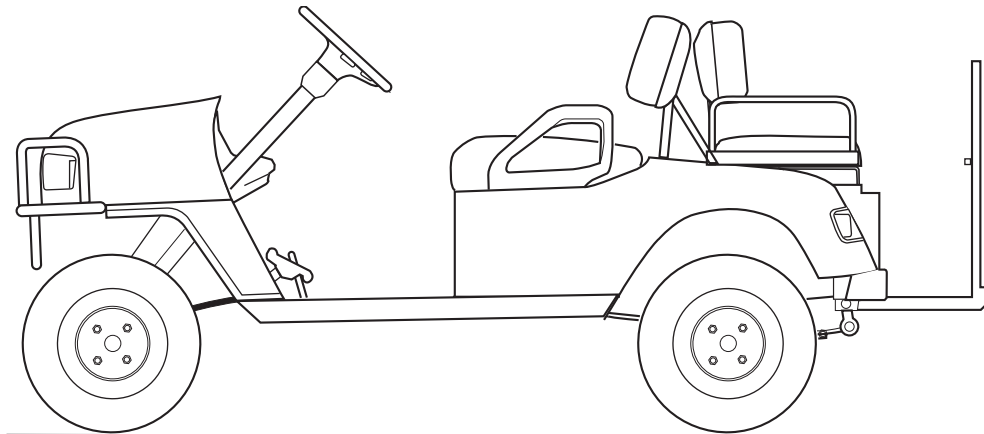
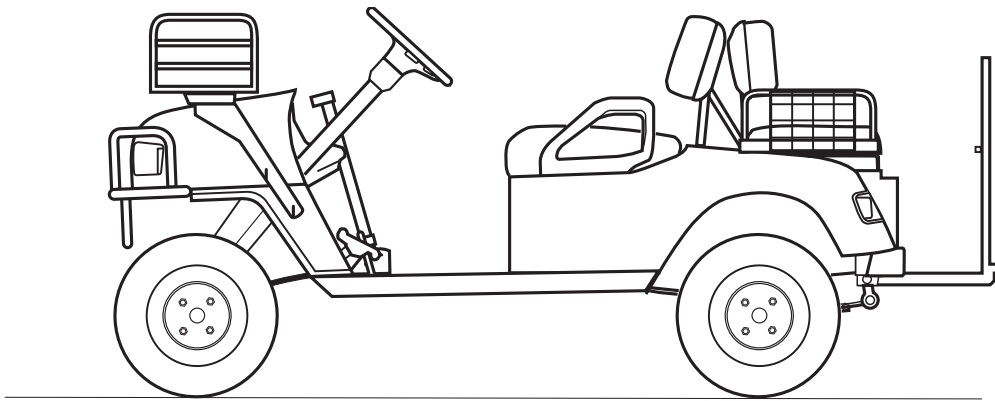


A Textron Company

620297



SERVICE PARTS MANUAL



ELECTRIC POWERED UTILITY VEHICLE

ISSUED OCTOBER 2007

REVISED AUGUST 2009

SERVICE PARTS MANUAL

**ELECTRIC POWERED
UTILITY VEHICLE**

CLAYS CAR™

ST SPORT 2+2 PDS

ST CUSTOM PDS

STARTING MODEL YEAR 2007

E-Z-GO Division of Textron, Inc. Products reserves the right to make design changes without obligation to make these changes on units previously sold and the information contained in this manual is subject to change without notice.

E-Z-GO Division of Textron, Inc. is not liable for errors in this manual or for incidental or consequential damages that result from the use of the material in this manual.

CUSTOMER SERVICE DEPARTMENT IN USA PHONE: 1-800-241-5855 FAX: 1-800-448-8124

OUTSIDE USA PHONE: 001-706-798-4311, FAX: 001-706-771-4609

E-Z-GO DIVISION OF TEXTRON, INC., 1451 MARVIN GRIFFIN ROAD, AUGUSTA, GEORGIA USA 30906-3852

GENERAL INFORMATION

To obtain a copy of the limited warranty applicable to the vehicle, call or write a local Distributor, authorized Branch or the Warranty Department with vehicle serial number and manufacture date code.

The use of non Original Equipment Manufacturer (OEM) parts may void the warranty.

When servicing engines, all adjustments and replacement components must be per original vehicle specifications in order to maintain the United States of America Federal and State emission certification applicable at the time of manufacture.

TABLE OF CONTENTS

SECTION	Page No.
HOW TO USE THE SERVICE PARTS MANUAL	v
ILLUSTRATED PARTS BREAKDOWN.....	vii
ACCELERATOR	A-1
BATTERY CHARGER - 36 VOLT	B-1
BODY.....	C-1
BRAKES	D-1
ELECTRICAL SYSTEM - PDS	E-1
ELECTRONIC SPEED CONTROL - PDS.....	F-1
FRONT SUSPENSION	G-1
MOTOR.....	H-1
REAR AXLE.....	I-1
REAR SUSPENSION	J-1
SEATING.....	K-1
STEERING.....	L-1
WEATHER PROTECTION.....	M-1
WHEELS AND TIRES.....	N-1
SPECIALTY PRODUCTS	APPENDIX A-1
ACCESSORIES	APPENDIX B-1

HOW TO USE THE SERVICE PARTS MANUAL

This manual is divided into several sections:

GENERAL INFORMATION

- TABLE OF CONTENTS
- HOW TO USE THE SERVICE PARTS MANUAL

ILLUSTRATED PARTS BREAKDOWN

- Contains illustrations and parts lists for all systems of the vehicle

APPENDIX

- Contains a listing of specialty products and options/accessories

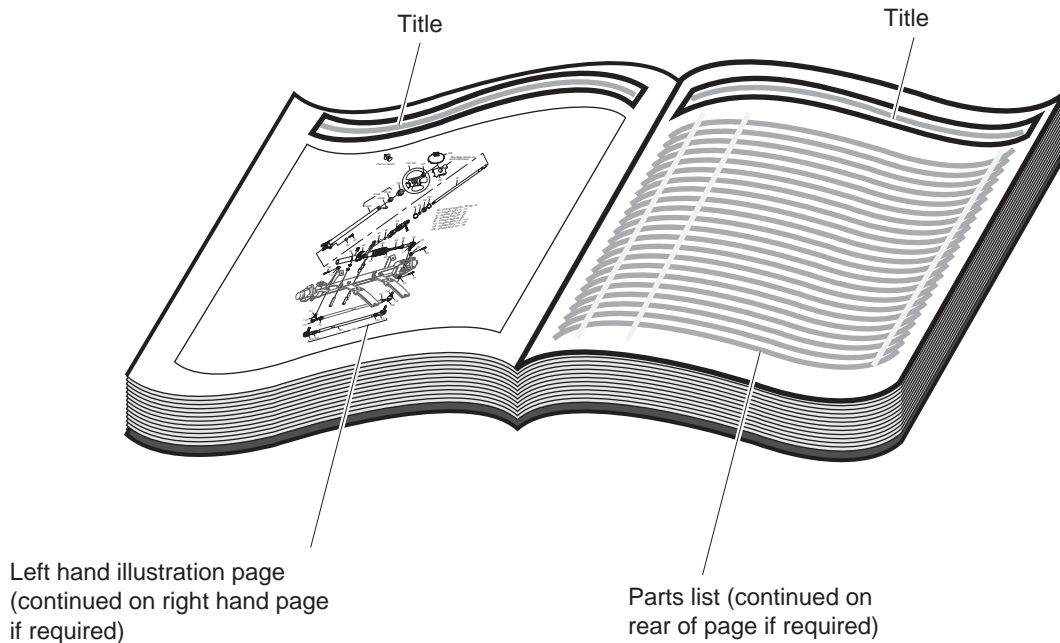
USE OF THE MANUAL

To use this manual, consult the TABLE OF CONTENTS (page iii) to locate the information or illustration required.

Introduction of some revisions varies due to supply of components; therefore, it is possible that various combinations of components may be found that are not directly reflected by each illustration. Consult the illustration that best suits your situation. Locate the serial number label (see BODY located in the Illustrated Parts Breakdown section of this manual for its location) and note the complete number shown on the label. It is important that the serial number of your vehicle and its model number be supplied to Service Parts when ordering any replacement components.

Locate the serial number label (see BODY located in the illustrated parts breakdown section of this manual for its location) and note the complete number shown on the label.

HOW TO USE THE SERVICE PARTS MANUAL



1. WHEN THE PART NUMBER IS NOT KNOWN

- Determine the function and application of the part required. Turn to the INDEX OF MAJOR COMPONENTS and select the most appropriate component description.
- Turn to the page number indicated and locate the part description in the parts list. Read the full accompanying description for specific information regarding the part that was not shown in the index.
- From the parts list, obtain the item number assigned to it and confirm that the part selected is correct by verifying it with the pictorial representation on the illustrated page.

2. IF YOU KNOW THE PART NUMBER

- Use the INDEX OF MAJOR COMPONENTS to find the page(s) the part number appears on.
- Turn to the page number indicated and locate the part number in the parts list. Refer to the accompanying description for specific information regarding the part.
- From the parts list, obtain the item number assigned to it and confirm that the part selected is correct by verifying it with the pictorial representation on the illustrated page.

Should an asterisk (*) appear in the part number column on the parts list page, read upwards until a part number is found. The part number is the lowest assembly sold by Service Parts. The asterisk (*) indicates that the part depicted is not available for purchase.

NOTE: Descriptions are indented under the assembly that they are used on. That assembly is, in turn listed under the assembly that it is used on. This process is repeated until the highest final assembly is reached.

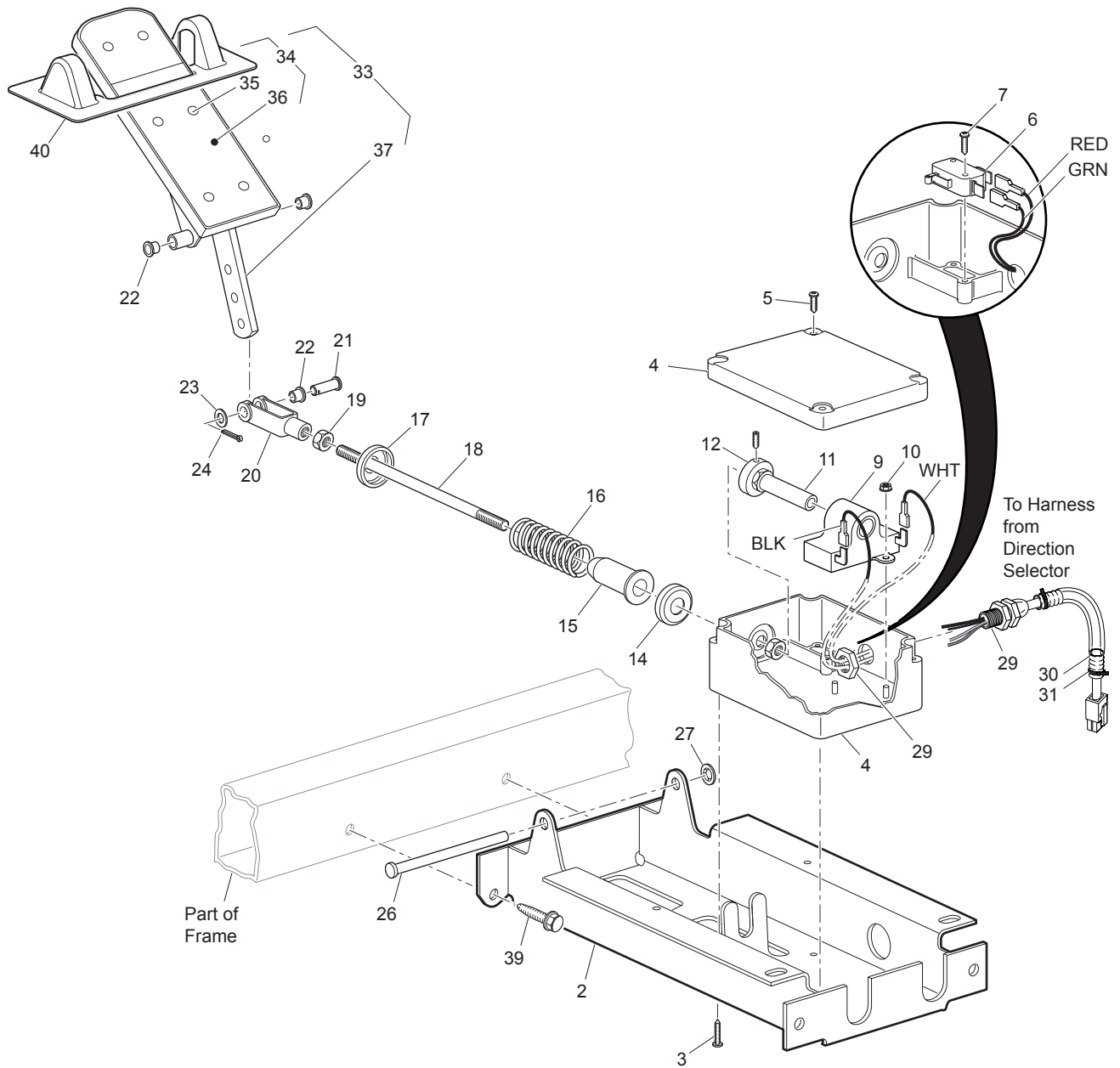
To facilitate the maintenance and repair of the vehicle, a Technician's Repair and Service Manual is available from the Service Parts Department.

ILLUSTRATED PARTS BREAKDOWN

ILLUSTRATED PARTS BREAKDOWN

ACCELERATOR

1 - Includes Items 2 - 37



ACCELERATOR

When ordering parts, please specify the model and serial number of the product.

* Indicates a component that is not available as an individual part.

G** Indicates consult Customer Service Department for additional information.

ITEM	PART NO.	1 2 3 4 5	DESCRIPTION	QTY.
1	73333-G10		PEDAL BOX ASSEMBLY (INCLUDES ITEMS 2 - 37)	1
2	70116-G02		ACCELERATOR PEDAL BRACKET.....	1
3	01051-G01		SCREW, #8 - 16 X 1/2" LG.	4
4	25853-G01		PEDAL BOX AND COVER	1
5	00684-G6		SCREW, #8 - 32 X 3/4" LG.	2
6	25861-G02		MICRO SWITCH.....	1
7	01050-G01		SCREW, #4 - 20 X 5/8" LG	2
8				
9	25854-G01		INDUCTIVE THROTTLE SENSOR	1
10	00983-G01		SELF THREADING NUT, 3/16"	2
11	602484		PLUNGER.....	1
12	28444-G01		ACCELERATOR CAM ROD	1
13				
14	17677-G1		SPRING RETAINER, 1/2"	1
15	17979-G1		BUSHING.....	1
16	73046-G01		COMPRESSION SPRING	1
17	17677-G2		SPRING RETAINER, 3/8"	1
18	73332-G01		ACCELERATOR ROD	1
19	00532-G4		LOCK NUT, 5/16 - 24	1
20	10385-G4		CLEVIS YOKE (ADJUSTABLE).....	1
21	10386-G3		CLEVIS PIN, 5/16" X 1" LG	1
22	17838-G1		NYLON BUSHING	3
23	17255-G1		TEFLON WASHER, 5/16".....	1
24	10387-G3		COTTER PIN, 3/32" X 3/4" LG	1
25				
26	74432-G01		PEDAL PIVOT PIN	1
27	12064-G6		PUSH NUT, 9/32".....	1
28				
29	25879-G05		WIRING HARNESS (PEDAL BOX ASSEMBLY)	1
30	17313-G1		LOOM FLEX, 3/8" X 6" LG (BULK).....	AIR

ACCELERATOR

When ordering parts, please specify the model and serial number of the product.

* Indicates a component that is not available as an individual part.

G** Indicates consult Customer Service Department for additional information.

ITEM	PART NO.	1	2	3	4	5	DESCRIPTION	QTY.
31	17618-G1						WIRE TIE	2
32								
33	25799-G03						ACCELERATOR PEDAL ASSEMBLY (INCLUDES ITEMS 34 - 37).....	1
34	27844-G01						ACCELERATOR PEDAL PAD KIT (INCLUDES ITEMS 35 - 36).....	1
35	15766-G1						OVAL RIVET, 3/16" X 3/8" LG.....	6
36	27512-G01						ACCELERATOR PEDAL PAD	1
37	*						ACCELERATOR PEDAL	1
38								
39	00715-G2						BOLT, 5/16 - 18 X 13/16" LG	4
40	70135-G01						PEDAL PIVOT COVER.....	1

BATTERY CHARGER 36 VOLT

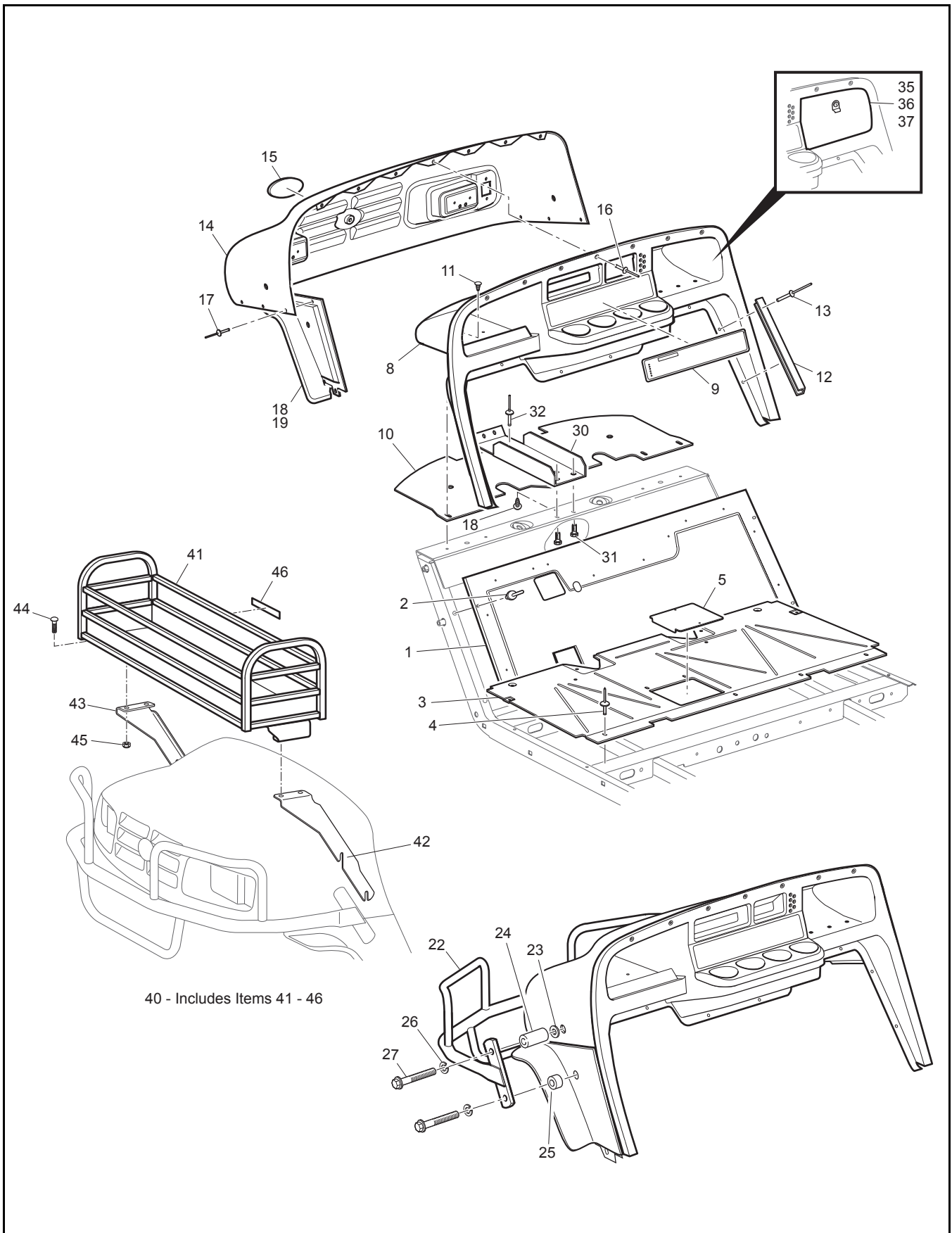


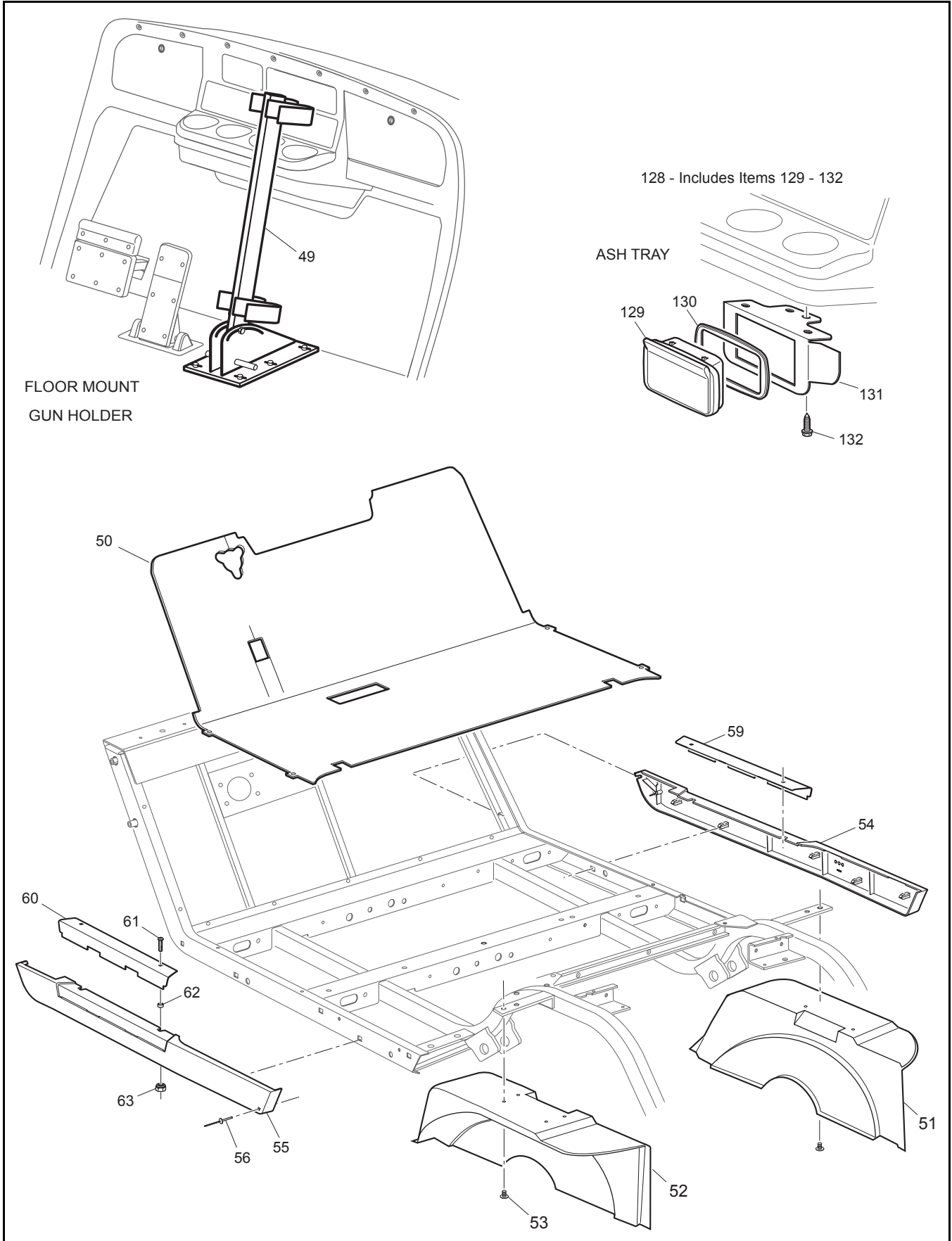
BATTERY CHARGER 36 VOLT

Where applicable, THE USE OF NON UL PARTS WILL VOID ANY UL LISTING.
 When ordering parts, please specify the model and serial number of the product.
 * Indicates a component that is not available as an individual part.
 G** Indicates consult Customer Service Department for additional information.

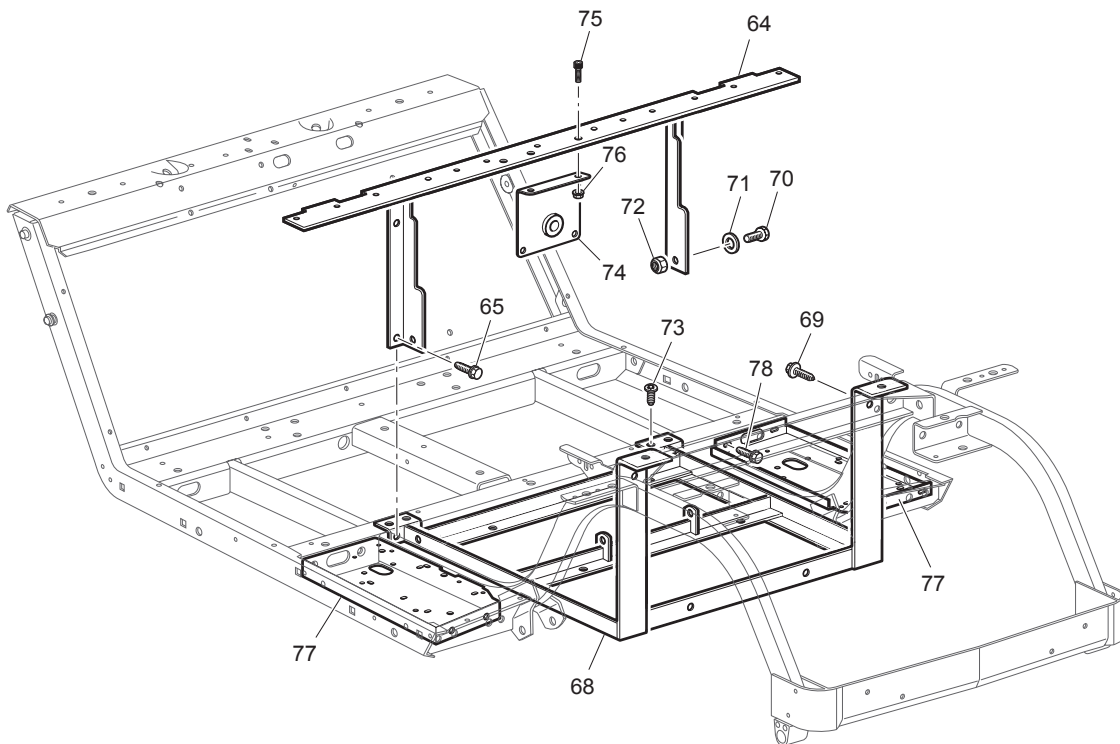
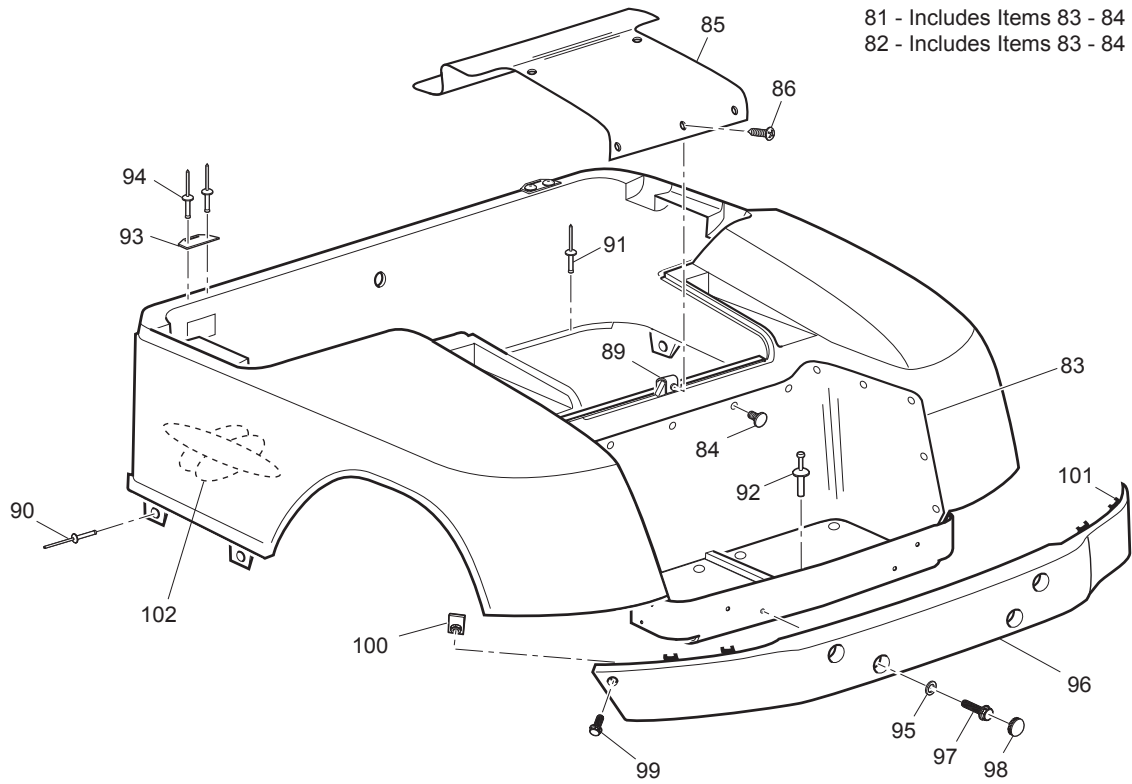
ITEM	PART NO.	1	2	3	4	5	DESCRIPTION	QTY.
1	611119						POWERWISE QE BATTERY CHARGER, 36 VOLT, W/3 METER CORD.....	1
2	611213						3 METER CORD, 36 VOLT (INCLUDES STRAIN RELIEF).....	1
3								
4								
5	611937						DC STRAIN RELIEF SERVICE KIT (INCLUDES 5 STRAIN RELIEFS).....	1
6	611212						AC CORD (INCLUDES STRAIN RELIEF).....	1
7	611936						AC STRAIN RELIEF SERVICE KIT (INCLUDES 5 STRAIN RELIEFS).....	1
8	611215						HANDLE AND COVER SERVICE KIT (INCLUDES ITEMS 9 - 12).....	1
9	611216						HANDLE.....	1
10	*						COVER.....	1
11	*						RUBBER PLUG.....	1
12	*						SCREWS.....	1

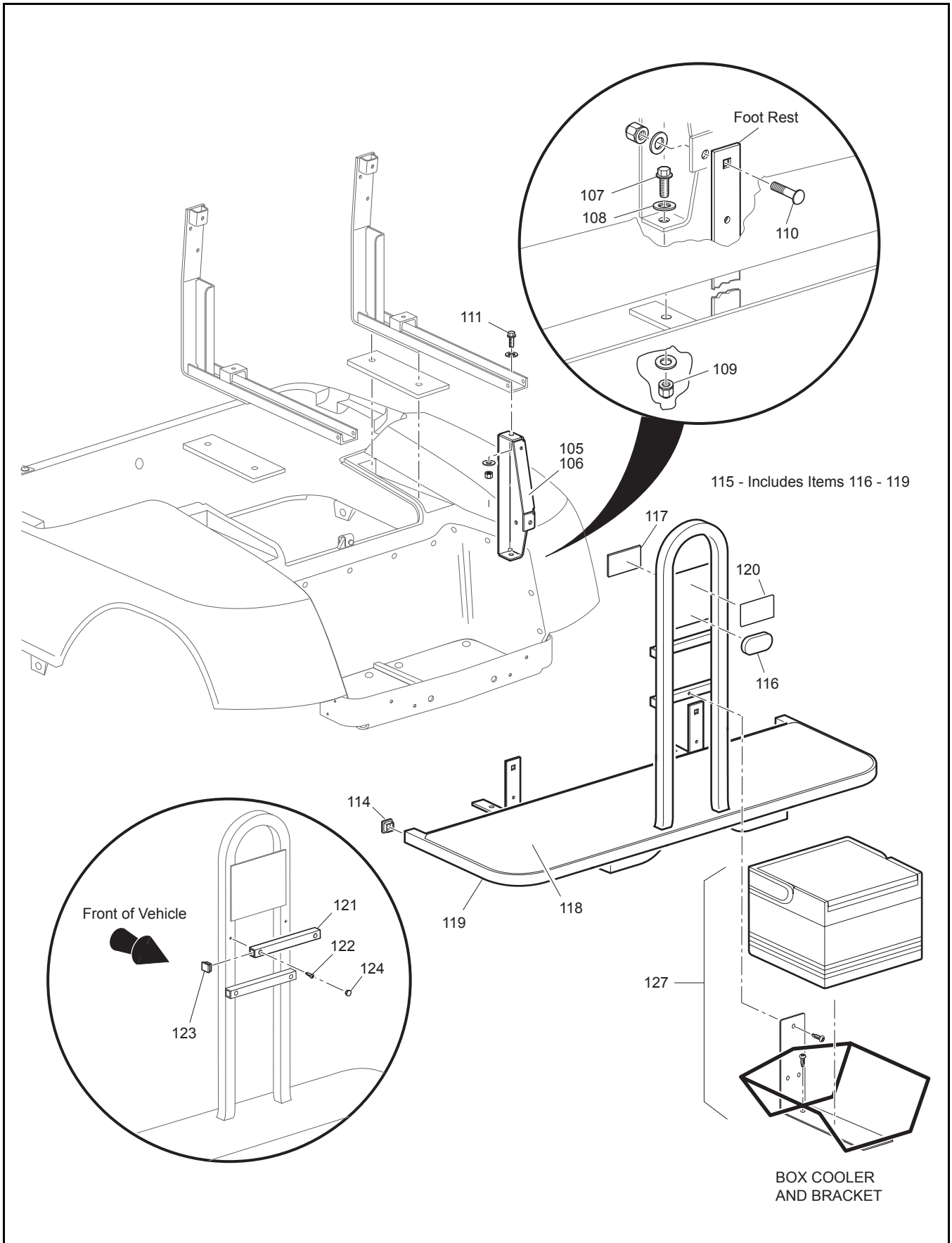
BODY





BODY





BODY

THE USE OF NON U.L. PARTS WILL VOID ANY U.L. LISTING.
 When ordering parts, please specify the model and serial number of the product.
 * Indicates a component that is not available as an individual part.
 G** Indicates consult Customer Service Department for additional information.

ITEM	PART NO.	1 2 3 4 5	DESCRIPTION	QTY.
1	71510-G01		UPPER FLOORPAN (AXLE MOUNTED STEERING)	1
2	14601-G11		RIVET, 3/16" X 9/16" LG	9
3	70451-G01		LOWER FLOORPAN.....	1
4	14601-G11		RIVET, 3/16" X 9/16" LG	7
5	70452-G01		ACCESS COVER.....	1
6				
7				
8	71151-G03		INSTRUMENT PANEL ASSEMBLY	1
9	35964-G01		LABEL (SAFETY) (PICTOGRAPH).....	1
10	71413-G01		SPLASH PANEL.....	1
11	16816-G2		RATCHET FASTENER, 1/4" X 3/4" LG	5
12	71115-G01		VINYL TRIM	2
13	71055-G01		RIVET, 3/16" X 1" LG	10
14	71468-G**		COWL.....	1
15	74183-G01		NAMEPLATE (E-Z-GO) (OVAL)	1
16	71055-G01		RIVET, 3/16" X 1" LG	7
17	71055-G01		RIVET, 3/16" X 1" LG	6
18	71338-G01		FENDER FLARE (DRIVER SIDE).....	1
19	71338-G02		FENDER FLARE (PASSENGER SIDE)	1
20				
21				
22	74265-G02		BUMPER	1
23	00570-G2		WASHER, 5/16"	2
24	75048-G04		SPACER, 1".....	2
25	75048-G01		SPACER, 1/2".....	2
26	00905-G8		LOCK WASHER, 5/16".....	4
27	01035-G02		BOLT, 5/16 - 18 X 2 1/2" LG	4
28				
29				
30	71101-G02		COWL SUPPORT BRACKET	1

THE USE OF NON U.L. PARTS WILL VOID ANY U.L. LISTING.
 When ordering parts, please specify the model and serial number of the product.
 * Indicates a component that is not available as an individual part.
 G** Indicates consult Customer Service Department for additional information.

ITEM	PART NO.	1 2 3 4 5	DESCRIPTION	QTY.
31	71102-G02		SELF TAPPING SCREW, 1/4 - 20 X 1/2" LG	3
32	71055-G01		RIVET, 3/16" X 1 1/8" LG	1
33				
34				
35	75459-G01		GLOVE BOX DOORS (BOTH SIDES)	1
36	75459-G02		GLOVE BOX DOOR (DRIVER SIDE)	1
37	75459-G03		GLOVE BOX DOOR (PASSENGER SIDE).....	1
38				
39				
40	74521-G02		FRONT BASKET ASSEMBLY (INCLUDES ITEMS 55 - 60).....	1
41	74523-G01		FRONT BASKET	1
42	74522-G01		BASKET MOUNTING BRACKET (DRIVER SIDE).....	1
43	74522-G02		BASKET MOUNTING BRACKET (PASSENGER SIDE)	1
44	00725-G1		CARRIAGE BOLT, 3/8 - 16 X 1" LG (STAINLESS STEEL)	4
45	00891-G1		LOCK NUT, 3/8 - 16	4
46	71931-G01		LABEL, FRONT BASKET (WARNING).....	1
47				
48				
49	74365-G01		GUN HOLDER, FLOOR MOUNT	1
50	70048-G06		FLOORMAT WITH HORN HOLES (1/8")	1
51	71551-G01		RH FENDER LINER	1
52	71552-G01		LH FENDER LINER	1
53	16816-G2		RATCHET FASTENER, 1/4" X 3/4" LG	
54	71501-G01		ROCKER PANEL (PASSENGER SIDE).....	1
55	71502-G01		ROCKER PANEL (DRIVER SIDE)	1
56	15058-G6		RIVET, 3/16" X 15/16" LG (ALUMINUM).....	4
57				
58				
59	71507-G01		SILL PLATE (PASSENGER SIDE).....	1
60	71507-G02		SILL PLATE (DRIVER SIDE).....	1

BODY

THE USE OF NON U.L. PARTS WILL VOID ANY U.L. LISTING.
 When ordering parts, please specify the model and serial number of the product.
 * Indicates a component that is not available as an individual part.
 G** Indicates consult Customer Service Department for additional information.

ITEM	PART NO.	1 2 3 4 5	DESCRIPTION	QTY.
61	16705-G1		SCREW, 1/4 - 20 X 1" LG (STAINLESS STEEL)	4
62	23726-G4		SPACER, 5/16".....	4
63	14390-G4		LOCK NUT, 1/4 - 20	4
64	70441-G01		SEAT FRAME.....	1
65	00715-G2		BOLT, 5/16 - 18 X 13/16" LG	2
66				
67				
68	70046-G02		BATTERY RACK	1
69	00715-G2		BOLT, 5/16 - 18 X 13/16" LG	2
70	00438-G6		BOLT, 5/16 - 18 X 3/4" LG	2
71	00559-G8		WASHER, 5/16"	2
72	11098-G6		LOCK NUT, 5/16 - 18 (STAINLESS STEEL)	2
73	70200-G01		SCREW, 3/8 - 16 X 3/4" LG.....	2
74	70444-G02		BRACKET	1
75	28272-G01		BOLT, 1/4 - 20 X 5/8" LG	2
76	11027-G2		LOCK NUT, 1/4 - 20	2
77	70244-G03		SPLASH PANEL.....	2
78	00715-G2		BOLT, 5/16 - 18 X 13/16" LG	8
79				
80				
81	71912-G4**		REAR BODY (WITHOUT TAILLIGHTS) (INCLUDES ITEMS 97, 98)	1
82				
83	71318-G01		BAGWELL LINER.....	1
84	16816-G1		RATCHET FASTENER, 1/4" X 9/16" LG	26
85	71320-G01		ACCESS PANEL	1
86	01107-G01		SCREW, #8 X 3/8" LG (STAINLESS STEEL)	5
87				
88				
89	71364-G02		"J" CLIP	1
90	10570-G12		RIVET, 1/4" X 9/16" LG (ALUMINUM).....	4

THE USE OF NON U.L. PARTS WILL VOID ANY U.L. LISTING.
 When ordering parts, please specify the model and serial number of the product.
 * Indicates a component that is not available as an individual part.
 G** Indicates consult Customer Service Department for additional information.

ITEM	PART NO.	1 2 3 4 5	DESCRIPTION	QTY.
91	10570-G10		RIVET, 5/32" X 9/16" LG (STAINLESS STEEL)	6
92	18436-G1		PLASTIC DRIVE RIVET, 1/4" X 3/4" LG	2
93	71609-G01		SEAT HINGE PLATE.....	2
94	10570-G11		RIVET, 3/16" X 3/4" LG (STAINLESS STEEL)	4
95	00571-G2		WASHER, 5/16"	4
96	71456-G01		NOTCHED REAR BUMPER	1
97	71398-G01		BOLT, 1/4 - 20 X 1 1/4" LG	4
98	71455-G01		BUMPER PLUG	4
99	71102-G01		BOLT, 1/4 - 20 x 11/16" LG	2
100	71554-G01		J-TYPE NUT RETAINER, 1/4 - 20.....	2
101	71457-G01		BUMPER STAY	4
102	74532-G01		LABEL (CLAYS CAR).....	2
103				
104				
105	74126-G01		VERTICAL FRAME SUPPORT (DRIVER SIDE).....	1
106	74126-G02		VERTICAL FRAME SUPPORT (PASSENGER SIDE).....	1
107	00427-G6		BOLT, 3/8 - 16 X 1 3/4" LG	2
108	00560-G1		WASHER, 3/8"	14
109	11098-G5		LOCK NUT, 3/8 - 16	6
110	00769-G2		CARRIAGE BOLT, 3/8 - 16 X 1 1/4" LG	2
111	00426-G8		BOLT, 3/8 - 16 X 1" LG	2
112				
113				
114	19853-G1		END CAP, 1".....	2
115	70361-G03		FOOTREST ASSEMBLY (INCLUDES ITEMS 113 - 116)	1
116	74129-G01		REFLECTOR	1
117	74132-G01		LABEL (WARNING)	1
118	70362-G01		FLOORMAT	1
119	70633-G01		FOOTREST	1
120	71929-G01		LABEL (LOAD BED LIMIT WARNING)	1

BODY

THE USE OF NON U.L. PARTS WILL VOID ANY U.L. LISTING.

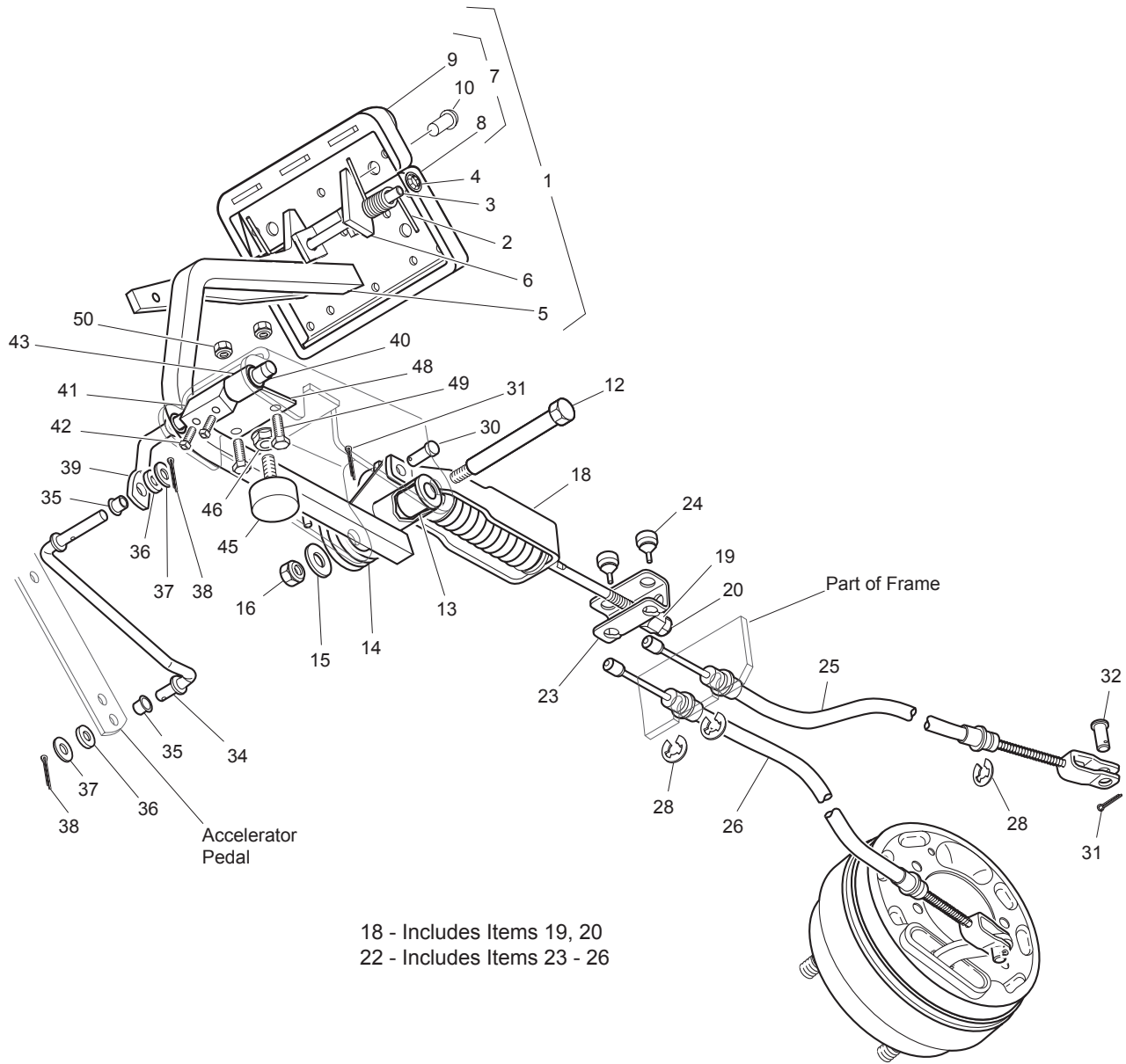
When ordering parts, please specify the model and serial number of the product.

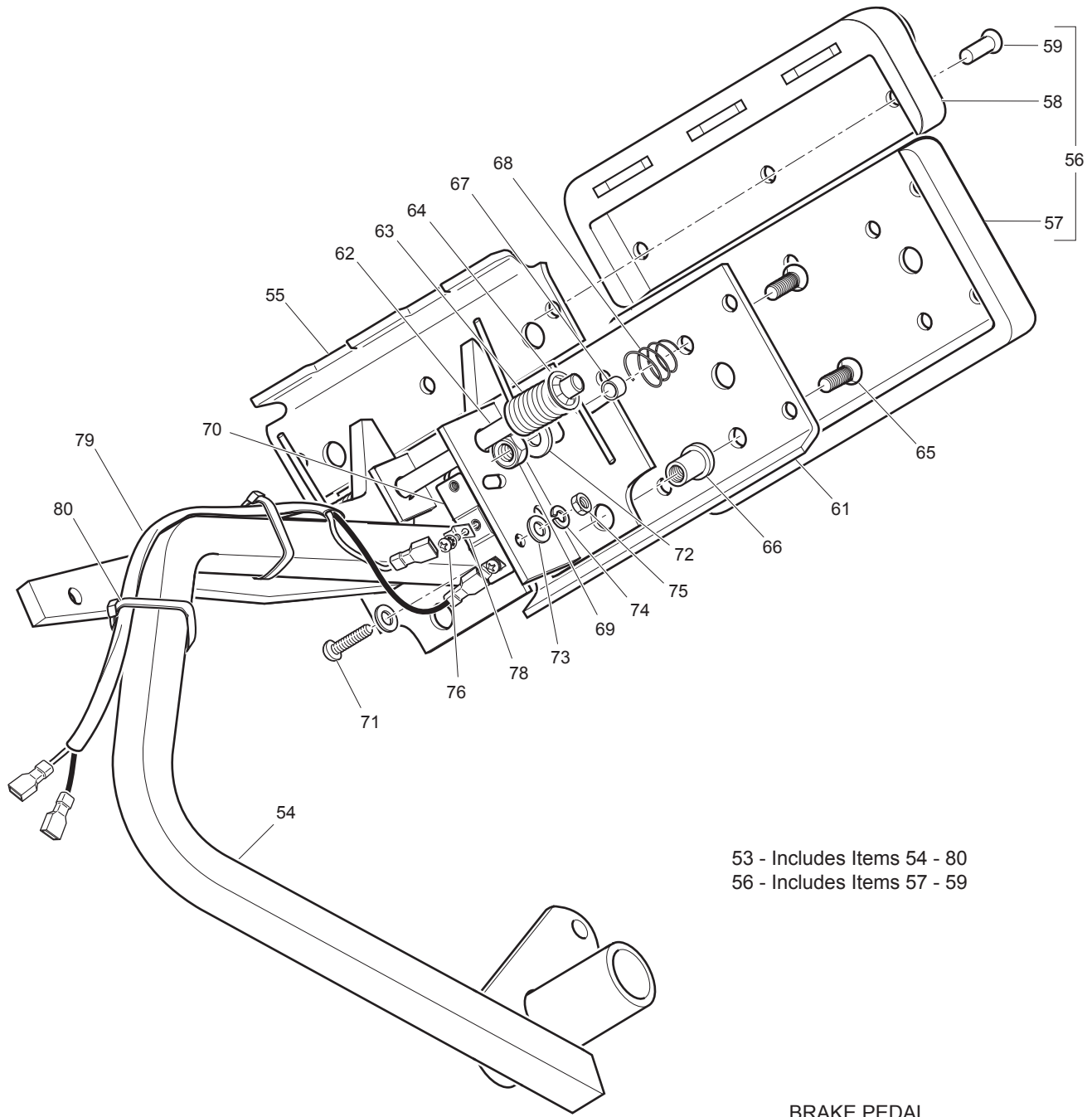
* Indicates a component that is not available as an individual part.

G** Indicates consult Customer Service Department for additional information.

ITEM	PART NO.	1 2 3 4 5	DESCRIPTION	QTY.
121	75268-G01		SUPPORT TUBE.....	1
122	00106-G6		SELF THREADING SCREW, #12 - 24 X 3/4" LG	2
123	19859-G1		END CAP, 3/4".....	2
124	20271-G2		HOLE PLUG, 1/2".....	2
125				
126				
127	71048-G01		BOX COOLER AND BRACKET (INCLUDES HARDWARE).....	1
128	75109-G04		ASH TRAY KIT (INCLUDES ITEMS 129 - 132)	1
129	27731-G01		ASH TRAY	1
130	27736-G01		GASKET	1
131	75108-G02		BRACKET	1
132	00100-G4		SCREW, #10 - 16 X 1/2" LG	4
133	74533-G01		GUN HOLDER (SWIVEL MOUNT) (NOT ILLUSTRATED)	1

BRAKES

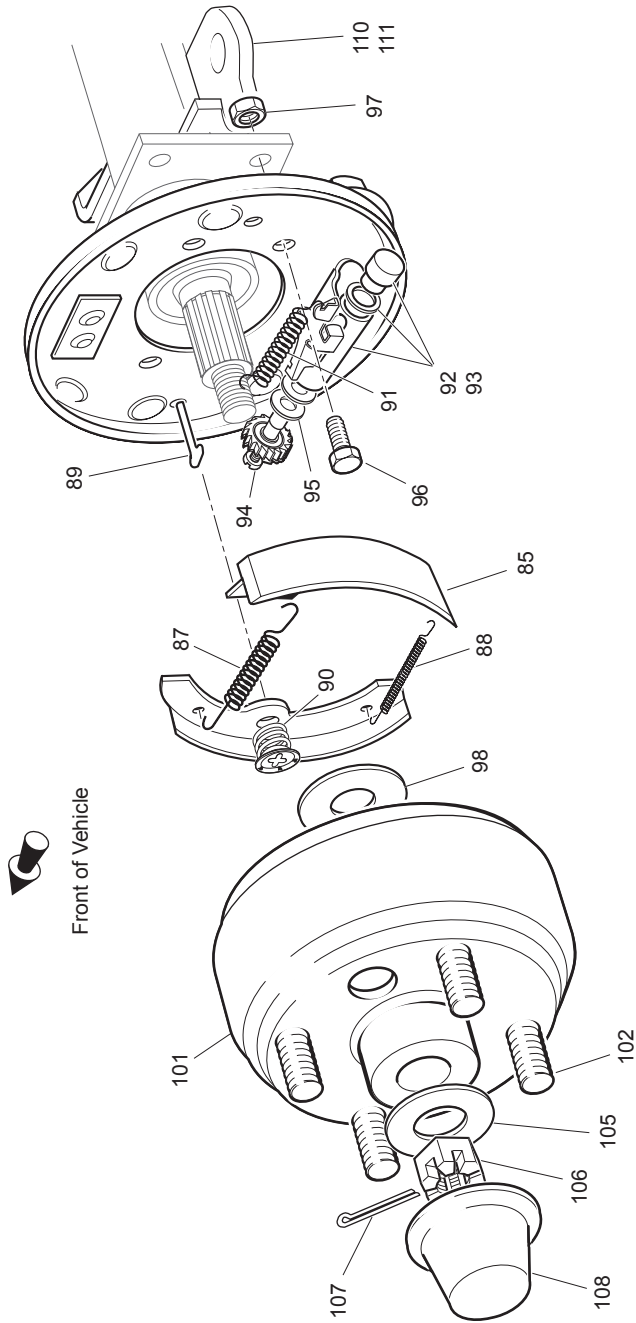




53 - Includes Items 54 - 80
56 - Includes Items 57 - 59

**BRAKE PEDAL
(VEHICLE WITH BRAKE LIGHTS)**

BRAKES



- 82 - Includes Items 84 - 92, 94, 95
- 83 - Includes Items 84 - 91, 93 - 95
- 84 - Includes Items 85
- 86 - Includes Items 87 - 91
- 92 - Includes Items 94, 95
- 93 - Includes Items 94, 95
- 100 - Includes Items 101, 102

BRAKES

THE USE OF NON U.L. PARTS WILL VOID ANY U.L. LISTING.

When ordering parts, please specify the model and serial number of the product.

* Indicates a component that is not available as an individual part.

G** Indicates consult Customer Service Department for additional information.

ITEM	PART NO.	1 2 3 4 5	DESCRIPTION	QTY.
1	70612-G02		BRAKE PEDAL ASSEMBLY (WITHOUT BRAKE LIGHTS) (INCLUDES ITEMS 2 - 10).....	1
2	70681-G01		TORSION SPRING.....	2
3	70682-G01		PIVOT PIN.....	1
4	01071-G01		PUSHNUT, 5/16".....	2
5	*		BRAKE PEDAL.....	1
6	70611-G02		PARK BRAKE PEDAL.....	1
7	70274-G01		BRAKE/PARK BRAKE PEDAL PAD KIT (INCLUDES ITEMS 8 - 10).....	1
8	*		SERVICE BRAKE PAD.....	1
9	*		PARK BRAKE PEDAL PAD.....	1
10	15766-G1		OVAL RIVET, 3/16" X 3/8" LG.....	9
11				
12	70582-G01		SHOULDER BOLT, STAINLESS STEEL.....	1
13	70581-G01		FLANGED BUSHING.....	2
14	70676-G01		TORSION SPRING.....	1
15	00643-G1		WASHER, 3/8".....	1
16	11098-G5		LOCK NUT, 3/8 - 16.....	1
17				
18	70272-G04		COMPENSATOR ASSEMBLY (INCLUDES ITEMS 19, 20).....	1
19	00963-G01		SPHERICAL NUT, 5/16 - 24.....	1
20	11098-G9		LOCK NUT, 5/16 - 24.....	1
21				
22	70969-G03		EQUALIZER AND BRAKE CABLE ASSEMBLY (INCLUDES ITEMS 23-26).....	1
23	28082-G01		EQUALIZER BRACKET.....	1
24	28083-G01		BRAKE COMPENSATOR BUMPER.....	2
25	*		BRAKE CABLE (DRIVER SIDE).....	1
26	*		BRAKE CABLE (PASSENGER SIDE).....	1
27				
28	01111-G01		RETAINING RING, 13/32" (STAINLESS STEEL).....	4
29				

BRAKES

THE USE OF NON U.L. PARTS WILL VOID ANY U.L. LISTING.

When ordering parts, please specify the model and serial number of the product.

* Indicates a component that is not available as an individual part.

G** Indicates consult Customer Service Department for additional information.

ITEM	PART NO.	1 2 3 4 5	DESCRIPTION	QTY.
30	10386-G3		CLEVIS PIN, 5/16" X 1" LG	1
31	10387-G3		COTTER PIN, 3/32" X 3/4" LG	3
32	14443-G2		CLEVIS PIN, 5/16" X 3/4" LG	2
33				
34	70601-G01		KICK-OFF LINK.....	1
35	17838-G1		NYLON BUSHING.....	2
36	20835-G1		TEFLON WASHER, 3/8"	2
37	00559-G8		WASHER, 5/16"	2
38	10387-G3		COTTER PIN, 3/32" X 3/4" LG	2
39	70098-G01		KICK-OFF CAM PIVOT.....	1
40	10097-G6		FLANGED BEARING	2
41	70587-G01		KICK-OFF CAM.....	1
42	71215-G01		SETSCREW, 1/4 - 20 X 1/2" LG.....	2
43	14134-G4		SPACER.....	1
44				
45	70113-G01		ADJUSTABLE BUMPER.....	1
46	11027-G1		LOCK NUT, 5/16 - 18	1
47				
48	70080-G02		CATCH BRACKET	1
49	00414-G6		BOLT, 1/4 - 20 X 3/4" LG	2
50	14390-G4		LOCK NUT, 1/4 - 20	2
51				
52				
53	70690-G02		BRAKE PEDAL ASSEMBLY (WITH BRAKE LIGHTS) (INCLUDES ITEMS 54 - 80).....	1
54	*		BRAKE PEDAL.....	1
55	70611-G02		PARK BRAKE PEDAL	1
56	70274-G01		BRAKE/PARK BRAKE PEDAL PAD KIT (INCLUDES ITEMS 57 - 59).....	1
57	*		SERVICE BRAKE PAD	1
58	*		PARK BRAKE PAD.....	1

BRAKES

THE USE OF NON U.L. PARTS WILL VOID ANY U.L. LISTING.

When ordering parts, please specify the model and serial number of the product.

* Indicates a component that is not available as an individual part.

G** Indicates consult Customer Service Department for additional information.

ITEM	PART NO.	1	2	3	4	5	DESCRIPTION	QTY.
59	15766-G1						OVAL RIVET, 3/16" x 3/8" LG	9
60								
61	70258-G03						SERVICE BRAKE PEDAL PLATE	1
62	70682-G01						PIVOT PIN	1
63	70681-G01						TORSION SPRING	2
64	01071-G01						PUSHNUT, 5/16"	1
65	00737-G8						SCREW, #10 - 24 X 1" LG	4
66	00739-G1						RUBBER NUT, #10 - 24	2
67	74535-G01						BRAKE PEDAL STANDOFF	2
68	27137-G01						CONICAL SPRING	2
69	14390-G01						LOCK NUT, #10 - 24	2
70	10606-G8						MICRO SWITCH	1
71	00957-G1						SCREW, #6 - 32 X 1 1/4" LG	2
72	00559-G5						WASHER, #10	2
73	00559-G3						WASHER, #6	4
74	00565-G3						LOCK WASHER, #6	2
75	00525-G5						NUT, #6 - 32	2
76	13514-G1						SCREW AND LOCK WASHER, #6	2
77								
78	14628-G1						FASTON TAB	2
79	24605-G1						WIRE HARNESS (BRAKE LIGHT)	1
80	17618-G1						WIRE TIE	2
81								
82	70998-G01						BRAKE ASSEMBLY (DRIVER SIDE) (INCLUDES ITEMS 84 - 92, 94, 95)	1
83	70998-G02						BRAKE ASSEMBLY (PASSENGER SIDE) (INCLUDES ITEMS 84 - 91, 93-95)	1
84	70794-G01						BRAKE SHOE KIT (INCLUDES ITEM 85)	2
85	*						BRAKE SHOE	2
86	27944-G01						BRAKE SPRING KIT (INCLUDES ITEMS 87 - 91)	2
87	*						UPPER SPRING	1
88	*						LOWER SPRING	1

BRAKES

THE USE OF NON U.L. PARTS WILL VOID ANY U.L. LISTING.

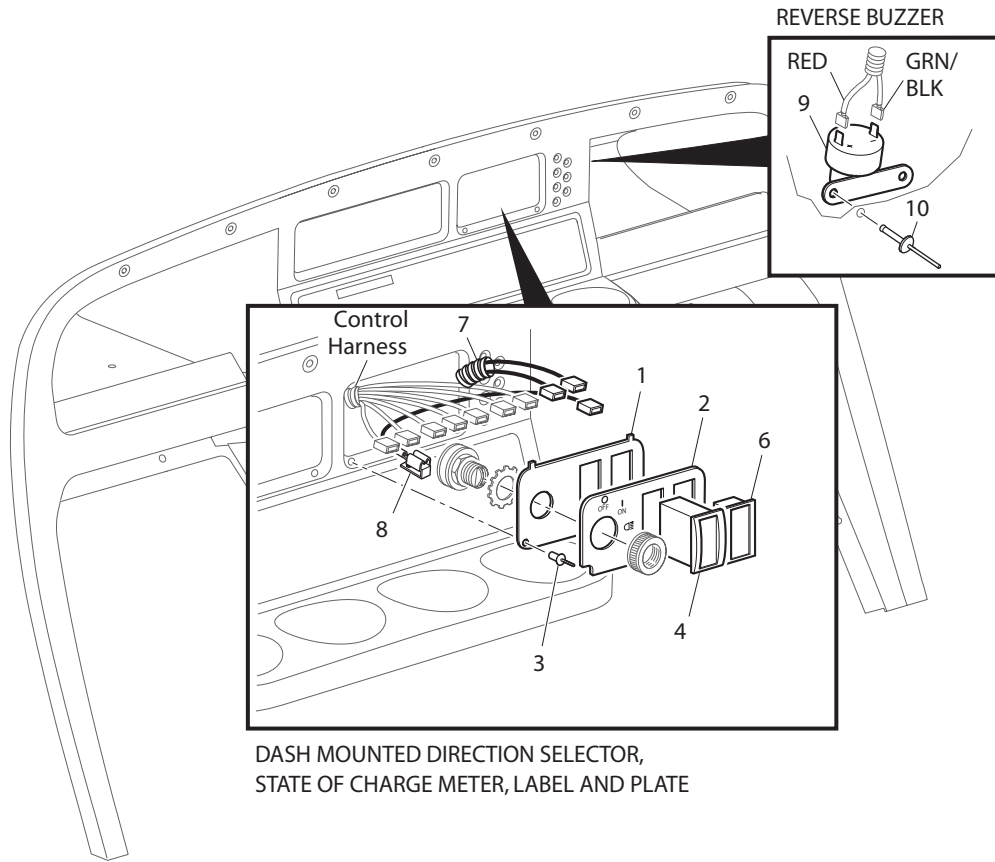
When ordering parts, please specify the model and serial number of the product.

* Indicates a component that is not available as an individual part.

G** Indicates consult Customer Service Department for additional information.

ITEM	PART NO.	1	2	3	4	5	DESCRIPTION	QTY.
89	*						PIN	2
90	*						CUP AND SPRING	2
91	*						ADJUSTER SPRING.....	1
92	72582-G01						BRAKE ADJUSTER KIT (DRIVER SIDE) (INCLUDES ITEMS 94, 95)	1
93	72582-G02						BRAKE ADJUSTER KIT (PASSENGER SIDE) (INCL. ITEMS 94, 95).....	1
94	*						ADJUSTER	1
95	*						TEFLON WASHER.....	2
96	17083-G2						BOLT, 5/16 - 24 X 1" LG	8
97	15126-G1						LOCK NUT, 5/16 - 24	8
98	21809-G1						INNER BRAKE DRUM WASHER.....	2
99								
100	21807-G2						BRAKE DRUM ASSEMBLY (INCLUDES ITEMS 101 - 102).....	2
101	*						BRAKE DRUM	1
102	19862-G2						LUG BOLT, 1/2 - 20.....	4
103								
104								
105	21830-G1						WASHER, 1 3/8" O.D. X 21/32"	2
106	00518-G8						SLOTTED NUT, 5/8 - 18.....	2
107	10387-G1						COTTER PIN, 1/8" X 1 1/2" LG	2
108	74175-G01						SPINDLE CAP.....	2
109								
110	75870-G04						BRAKE CABLE BRACKET (PASSENGER SIDE).....	1
111	75870-G03						BRAKE CABLE BRACKET (DRIVER SIDE)	1

ELECTRICAL SYSTEM - PDS



Ref Ele 1-4

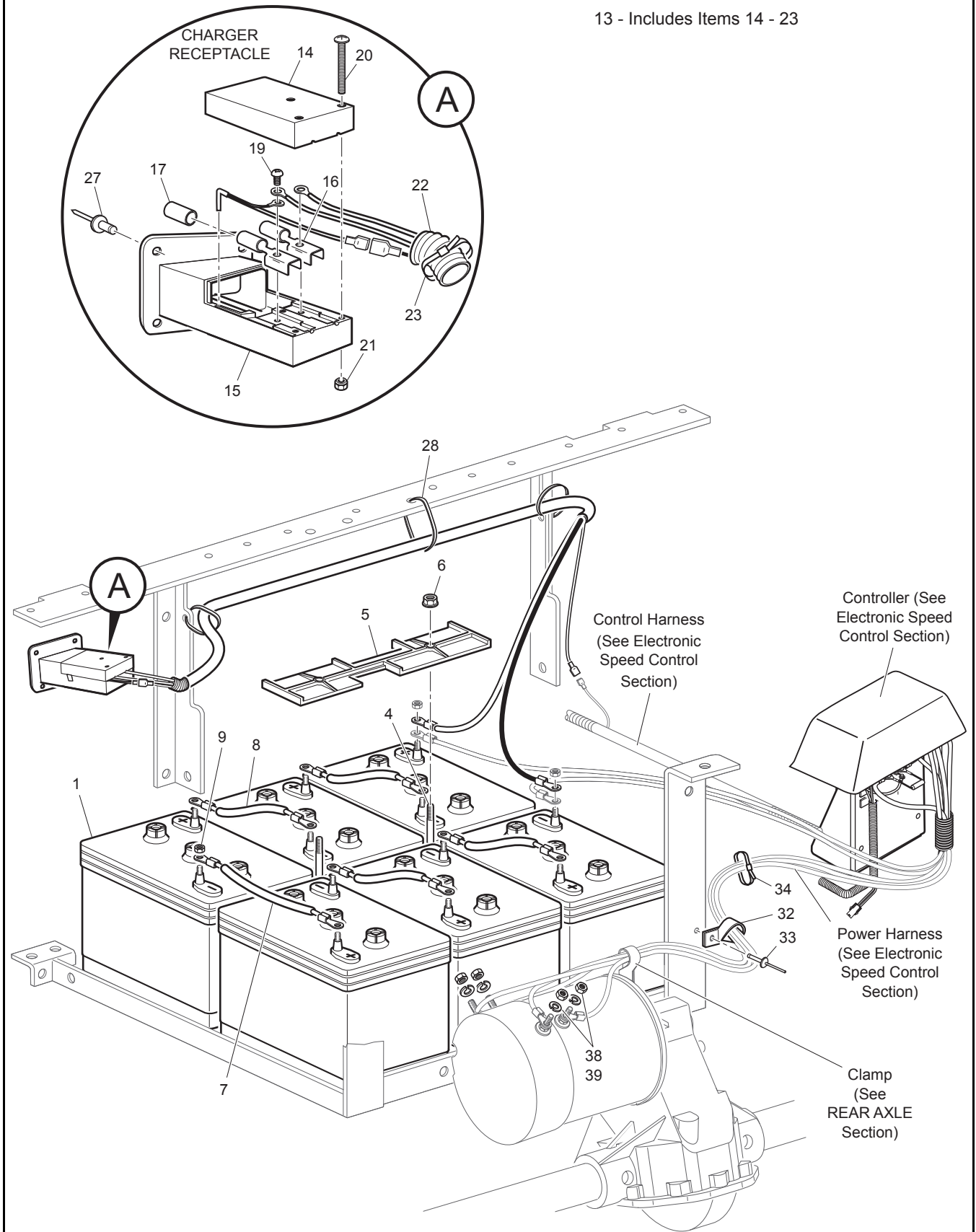
ELECTRICAL SYSTEM - PDS

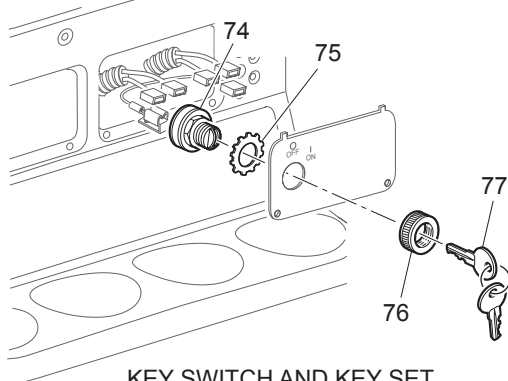
Where applicable, THE USE OF NON UL PARTS WILL VOID ANY UL LISTING.
 When ordering parts, please specify the model and serial number of the product.
 * Indicates a component that is not available as an individual part.
 G** Indicates consult Customer Service Department for additional information.

ITEM	PART NO.	1	2	3	4	5	DESCRIPTION	QTY.
1	73030-G06						PLATE (KEY SWITCH, DIRECTION SELECTOR, CHARGE METER)	1
2	74322-G01						LABEL (KEY SWITCH WITH LIGHTS, DIRECTION SELECTOR, CHARGE METER)	1
3	33623-G02						DRIVE RIVET, 3/16" X 3/8" LG	2
4	74323-G01						DIRECTION SELECTOR SWITCH (DASH MOUNTED).....	1
5								
6	33636-G04						STATE OF CHARGE METER (VERTICAL)	1
7	74018-G01						WIRE HARNESS (STATE OF CHARGE METER)	1
8	25978-G74						18 GA WIRE (RED 6").....	1
9	73290-G02						REVERSE WARNING BUZZER (CONTINUOUS TONE)	1
10	01041-G01						RIVET, 1/8" X 13/16" LG	2

ELECTRICAL SYSTEM

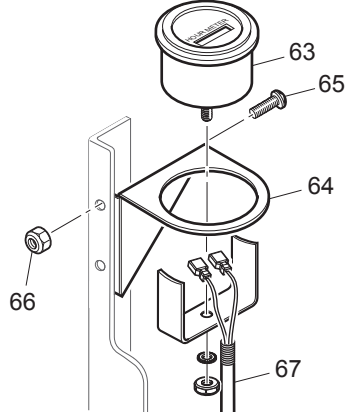
13 - Includes Items 14 - 23



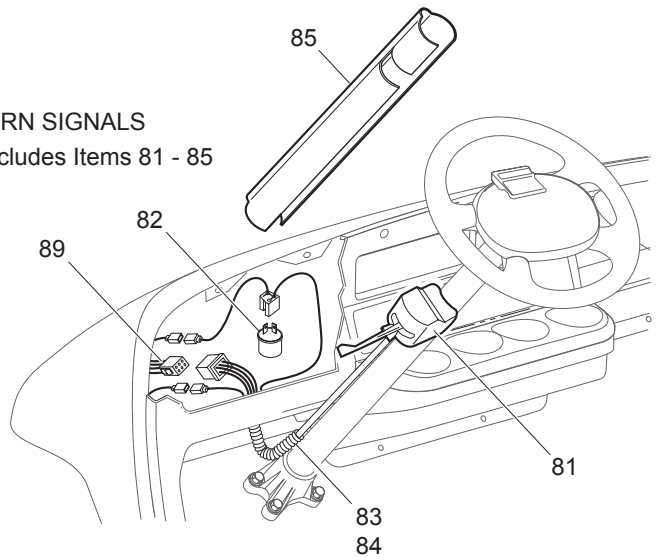


KEY SWITCH AND KEY SET

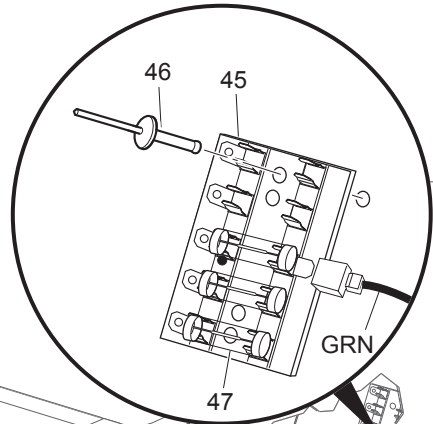
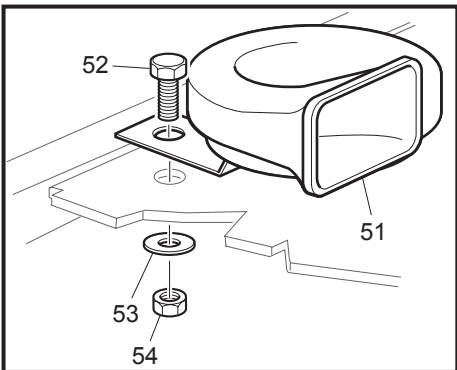
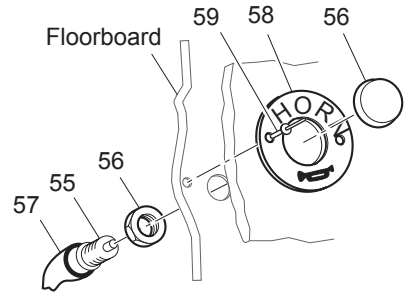
HOUR METER DETAIL
62 - Includes Items 63 - 67



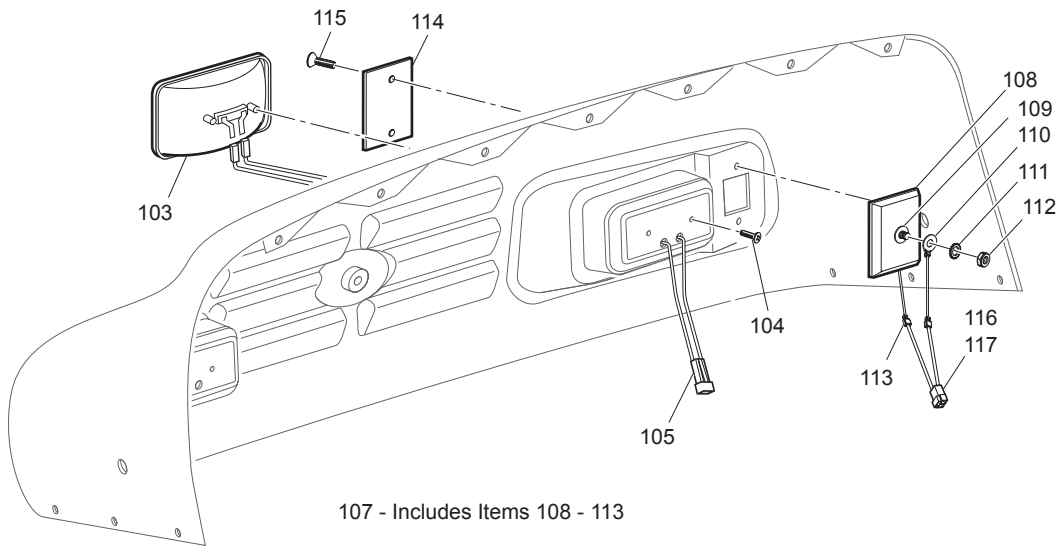
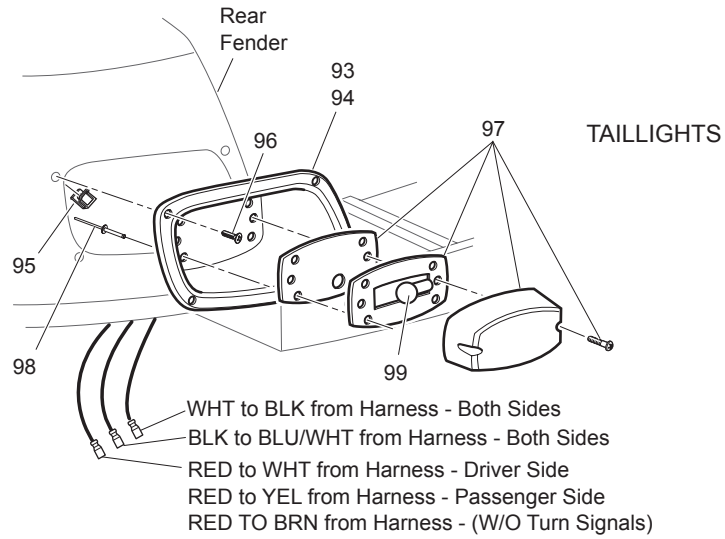
TURN SIGNALS
80 - Includes Items 81 - 85



HORN BUTTON



ELECTRICAL SYSTEM



ELECTRICAL SYSTEM

Where applicable, THE USE OF NON UL PARTS WILL VOID ANY UL LISTING.
 When ordering parts, please specify the model and serial number of the product.
 * Indicates a component that is not available as an individual part.
 G** Indicates consult Customer Service Department for additional information.

ITEM	PART NO.	1	2	3	4	5	DESCRIPTION	QTY.
1	XXXXX-GXX						6 VOLT BATTERY	6
2								
3								
4	01101-G01						HOLD DOWN BOLT (STAINLESS STEEL).....	2
5	70045-G01						BATTERY RETAINER	1
6	11027-G1						LOCK NUT, 5/16 - 18	2
7	25971-G13						6 GA WIRE (BATTERY INTERCONNECT, BLACK, 10 1/2").....	1
8	25971-G18						6 GA WIRE (BATTERY INTERCONNECT, 6").....	4
9	00702-G2						NUT, 5/16 - 18	12
10								
11								
12								
13	73063-G01						CHARGER RECEPTACLE ASSEMBLY (INCLUDES ITEMS 14 - 23).....	1
14	*						RECEPTACLE COVER	1
15	*						RECEPTACLE BOTTOM	1
16	73051-G05						FEMALE CONNECTOR	2
17	73051-G06						INSULATOR SLEEVE.....	1
18								
19	73051-G08						SCREW, #10 - 32 X 1/2" LG (BRASS)	2
20	73051-G09						SCREW, #6 - 32 X 1 3/4" LG (STAINLESS STEEL).....	3
21	73051-G10						LOCK NUT, #6 - 32	3
22	*						WIRE HARNESS (CHARGER).....	1
23	17618-G1						WIRE TIE	2
24								
25								
26								
27	71055-G01						RIVET, 3/16" X 1" LG (ALUMINUM).....	4
28	17618-G1						WIRE TIE	3
29								
30								

ELECTRICAL SYSTEM

Where applicable, THE USE OF NON UL PARTS WILL VOID ANY UL LISTING.

When ordering parts, please specify the model and serial number of the product.

* Indicates a component that is not available as an individual part.

G** Indicates consult Customer Service Department for additional information.

ITEM	PART NO.	1 2 3 4 5	DESCRIPTION	QTY.
31				
32	27327-G01		CABLE CLAMP	1
33	10570-G11		RIVET, 3/16" X 3/4" LG (STAINLESS STEEL)	1
34	17618-G1		WIRE TIE	8
35				
36				
37				
38	00993-G01		LOCK WASHER, 5/16" (SILICON BRONZE)	AR
39	28418-G01		NUT, 5/16 - 18 (BRASS).....	AR
40				
41				
42				
43				
44				
45	22674-G1		FUSE BLOCK.....	1
46	01041-G01		RIVET, 1/8" X 13/16" LG	2
47	18392-G1		15 AMP FUSE	AR
48				
49				
50				
51	32860-G1		HORN.....	1
52	00414-G5		BOLT, 1/4 - 20 X 5/8" LG	1
53	00559-G7		WASHER, 1/4" (STAINLESS STEEL)	1
54	14390-G4		LOCK NUT, 1/4 - 20	1
55	17318-G1		HORN SWITCH.....	1
56	17318-G2		HORN SWITCH CAP AND NUT	1
57	27068-G01		HORN SWITCH BOOT	1
58	19233-G1		HORN SWITCH LABEL	1
59	71055-G01		RIVET, 3/16" X 1" LG (ALUMINUM).....	2
60				

ELECTRICAL SYSTEM

Where applicable, THE USE OF NON UL PARTS WILL VOID ANY UL LISTING.
 When ordering parts, please specify the model and serial number of the product.
 * Indicates a component that is not available as an individual part.
 G** Indicates consult Customer Service Department for additional information.

ITEM	PART NO.	1	2	3	4	5	DESCRIPTION	QTY.
61								
62	75113-G02						HOUR METER KIT (INCLUDES ITEMS 63 - 67).....	1
63	21573-G1						HOUR METER.....	1
64	74019-G02						HOUR METER BRACKET.....	1
65	00379-G4						SCREW, #10 - 24 X 1/2" LG.....	2
66	14390-G10						LOCK NUT, #10 - 24.....	2
67	75117-G01						WIRE HARNESS (HOUR METER).....	1
68								
69								
70								
71								
72								
73								
74	33639-G**						KEY SWITCH (WITH LIGHTS).....	1
75	00568-G6						LOCK WASHER, 3/4".....	1
76	17137-G1						FACE NUT, 3/4 - 20.....	1
77	17063-G1						KEY (SET).....	1
78								
79								
80	75107-G02						TURN SIGNAL KIT (INCLUDES ITEMS 81 - 85).....	1
81	17867-G1						TURN SIGNAL (WITH MOUNTING HARDWARE).....	1
82	21640-G1						TURN SIGNAL FLASHER.....	1
83	32307-G3						FLEX LOOM, 3/8" X 8" LG.....	1
84	17618-G1						WIRE TIE.....	2
85	20965-G3						STEERING COLUMN COVER.....	1
86								
87								
88								
89	73043-G01						WIRE HARNESS (ACCESSORY).....	1
90								

ELECTRICAL SYSTEM

Where applicable, THE USE OF NON UL PARTS WILL VOID ANY UL LISTING.

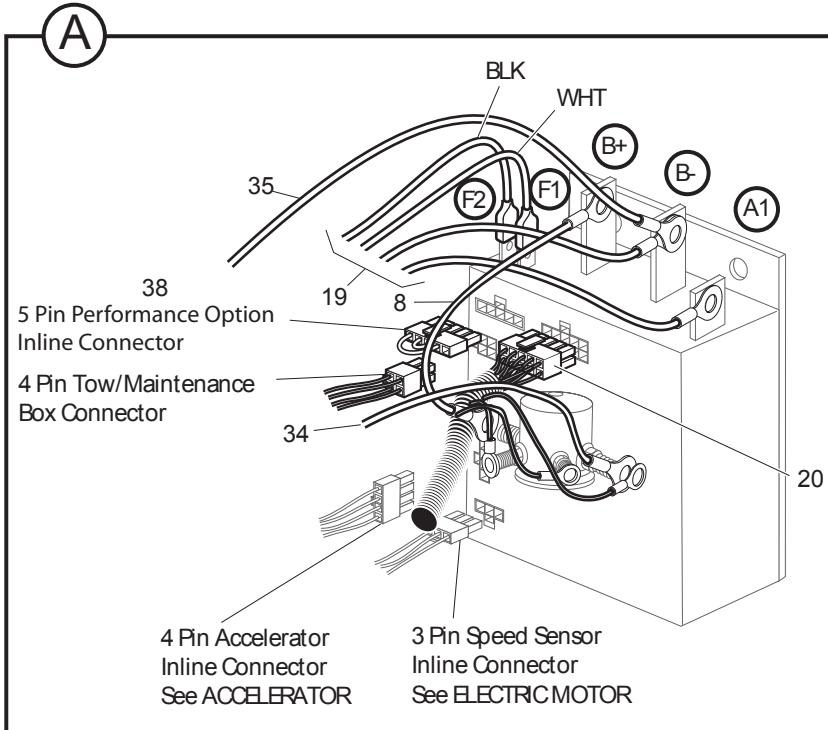
When ordering parts, please specify the model and serial number of the product.

* Indicates a component that is not available as an individual part.

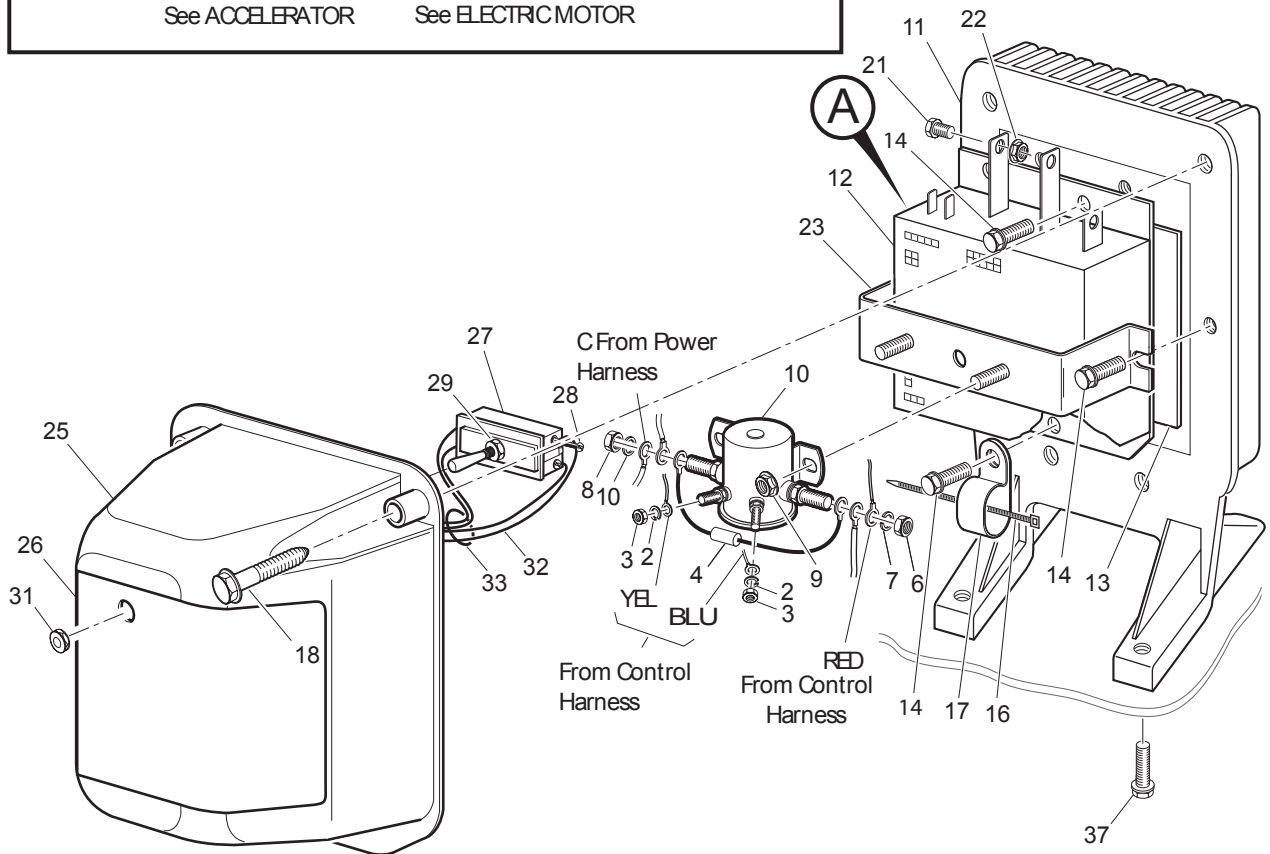
G** Indicates consult Customer Service Department for additional information.

ITEM	PART NO.	1 2 3 4 5	DESCRIPTION	QTY.
91				
92				
93	74371-G01		BEZEL (DRIVER SIDE).....	1
94	74371-G02		BEZEL (PASSENGER SIDE).....	1
95	71364-G02		'J' CLIP	8
96	71425-G01		COUNTERSUNK SCREW, #8	8
97	22288-G2		BRAKE / TAILLIGHT LAMP.....	1
98	14601-G11		RIVET, 3/16" X 9/16" LG (ALUMINUM).....	4
99	21759-G1		TAILLIGHT BULB	AR
100				
101				
102				
103	22523-G1		HEADLIGHT (INCLUDES ITEM 94).....	2
104	00906-G6		SCREW, #10 - 16 X 1" LG	2
105	74337-G01		JUMPER WIRE (HEADLIGHT)	2
106				
107	20570-G3		TURN SIGNAL LIGHT ASSEMBLY (INCLUDES ITEMS 108 - 113).....	2
108	20574-G3		TURN SIGNAL LIGHT	1
109	00660-G7		WASHER, 1/4" (STAINLESS STEEL).....	1
110	20606-G1		WIRE ASSEMBLY	1
111	00567-G7		LOCK WASHER, 1/4"	1
112	00532-G1		NUT, 1/4 - 20.....	1
113	18995-G1		PUSH-ON TERMINAL (MALE).....	1
114	20574-G5		LENS, AMBER	1
115	00118-G5		SCREW, #6 - 18 X 5/8" LG.....	2
116	74056-G01		TURN SIGNAL JUMPER, RED/BLACK (PASSENGER SIDE).....	1
117	74056-G02		TURN SIGNAL JUMPER, GREEN/BLACK (DRIVER SIDE)	1

ELECTRONIC SPEED CONTROL - PDS



- 1 - Includes Items 2 - 35
- 24 - Includes Items 25 - 33
- 27 - Includes Items 28 - 31



Ref Esp 1-1

ELECTRONIC SPEED CONTROL - PDS

Where applicable, THE USE OF NON UL PARTS WILL VOID ANY UL LISTING.

When ordering parts, please specify the model and serial number of the product.

* Indicates a component that is not available as an individual part.

G** Indicates consult Customer Service Department for additional information.

ITEM	PART NO.	1	2	3	4	5	DESCRIPTION	QTY.	
1	73276-G03	ELECTRONIC SPEED CONTROL ASSEMBLY (INCLUDES ITEMS 2 - 35).....							1
2	*	LOCK WASHER, #10							2
3	*	NUT, 10 - 32.....							2
4	21764-G1	RESISTOR.....							1
5									
6	*	NUT, 5/16 - 24.....							2
7	*	LOCK WASHER, 5/16"							2
8	25971-G18	4 GA WIRE ASSY BLACK 6".....							1
9	800706	LOCK NUT, 1/4 - 20							2
10	27855-G02	SOLENOID, 36 VOLT							1
11	73471-G01	HEATSINK							1
12	73326-G07	ELECTRONIC SPEED CONTROLLER							1
13	73190-G01	THERMAL MOUNTING PAD							1
14	71102-G01	BOLT, 1/4 - 20 X 3/4" LG.....							3
15									
16	31539-G1	WIRE TIE							1
17	73053-G01	DOUBLE TUBE CLAMP							1
18	71102-G01	BOLT, 1/4 - 20 X 3/4" LG.....							4
19	73106-G01	WIRE HARNESS (POWER)							1
20	74324-G02	WIRE HARNESS (CONTROL)							1
21	00270-G5	BOLT, 5/16 - 18 X 5/8" LG.....							3
22	11027-G1	LOCK NUT, 5/16 - 18.....							3
23	25866-G01	SOLENOID BRACKET							1
24	73089-G01	COVER ASSEMBLY (INCLUDES ITEMS 25 - 33)							1
25	73028-G02	COVER (WITH GASKET)							1
26	73093-G01	LABEL (TOW SWITCH)							1
27	73125-G01	TOGGLE SWITCH WITH SEAL (INCLUDES ITEMS 28 - 31)							1
28	*	SCREW, #5 - 40.....							4
29	*	NUT, 15/32 - 32.....							1
30									

ELECTRONIC SPEED CONTROL - PDS

Where applicable, THE USE OF NON UL PARTS WILL VOID ANY UL LISTING.

When ordering parts, please specify the model and serial number of the product.

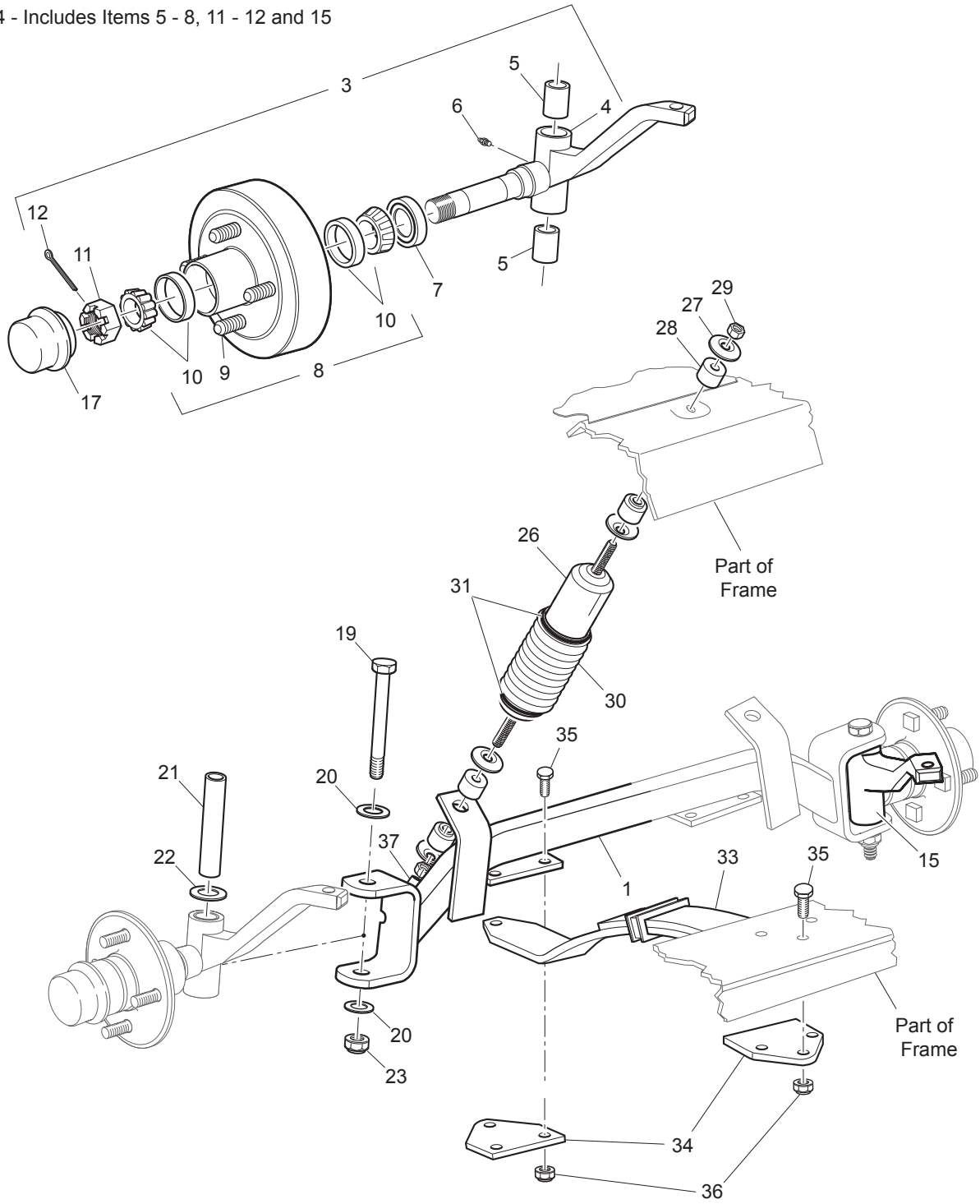
* Indicates a component that is not available as an individual part.

G** Indicates consult Customer Service Department for additional information.

ITEM	PART NO.	1	2	3	4	5	DESCRIPTION	QTY.
31	73139-G01						SEALED NUT, 15/32 - 32.....	1
32	73138-G02						WIRE HARNESS (TOW SWITCH).....	1
33	17618-G1						WIRE TIE	1
34	602178						4 GA WIRE (BLACK 27", BL+ TO SOL)	1
35	602179						4 GA WIRE (BLACK 36", BL- TO B-).....	1
36								
37	71102-G01						BOLT, 1/4 - 20 X 3/4" LG	2
38	73272-G01						PERFORMANCE OPTION.....	1

FRONT SUSPENSION

14 - Includes Items 5 - 8, 11 - 12 and 15



FRONT SUSPENSION

THE USE OF NON U.L. PARTS WILL VOID ANY U.L. LISTING.

When ordering parts, please specify the model and serial number of the product.

* Indicates a component that is not available as an individual part.

G** Indicates consult Customer Service Department for additional information.

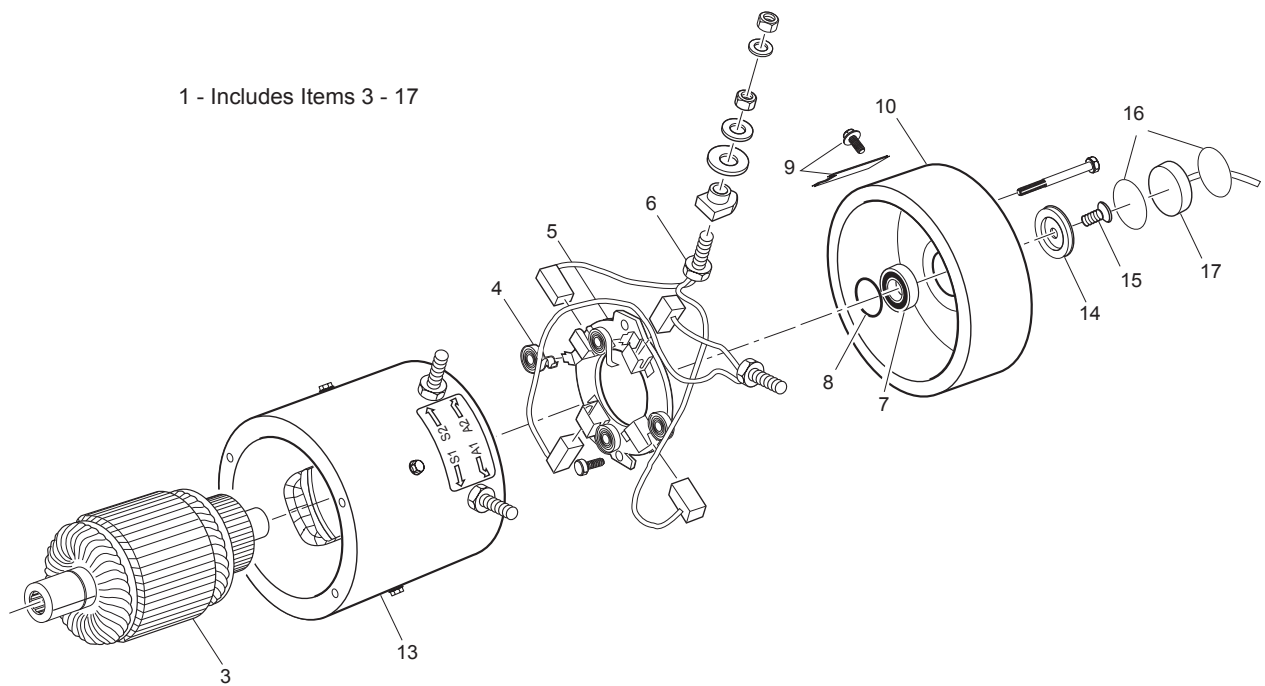
ITEM	PART NO.	1 2 3 4 5	DESCRIPTION	QTY.
1	70515-G01		FRONT AXLE	1
2				
3	70535-G02		SPINDLE ASSEMBLY (DRIVER SIDE) (INCLUDES ITEMS 4 - 8, 11 - 12).....	1
4	*		SPINDLE (DRIVER SIDE)	1
5	16623-G1		BEARING.....	2
6	10389-G3		GREASE FITTING, STRAIGHT	1
7	25146-G1		GREASE SEAL.....	1
8	72590-G01		WHEEL HUB ASSEMBLY (INCLUDES ITEMS 9, 10).....	1
9	36038-G01		DRIVE FLANGE STUD, 1/2 - 20 X 1 3/16" LG.....	4
10	50892-G1		BEARING AND RACE ASSEMBLY (COMPLETE)	2
11	12093-G1		SLOTTED NUT, 1 - 14	1
12	00798-G8		COTTER PIN, 5/32" X 1 3/4" LG	1
13				
14	70534-G02		SPINDLE ASSEMBLY (PASSENGER SIDE) (INCLUDES ITEMS 5 - 8, 11 - 12, 15)	1
15	*		SPINDLE (PASSENGER SIDE).....	1
16				
17	12091-G2		SPINDLE CAP.....	2
18				
19	01040-G01		BOLT, 1/2 - 13 X 5" LG	2
20	00571-G5		WASHER, 1/2"	4
21	70328-G01		KING PIN TUBE	2
22	16982-G1		THRUST WASHER, 7/8"	2
23	14390-G6		LOCK NUT, 1/2 - 13	2
24				
25				
26	70630-G01		SHOCK ABSORBER.....	2
27	10435-G1		SHOCK ABSORBER WASHER.....	8
28	10194-G1		RUBBER BUSHING	8
29	00532-G6		NUT, 3/8 - 24	4

FRONT SUSPENSION

THE USE OF NON U.L. PARTS WILL VOID ANY U.L. LISTING.
 When ordering parts, please specify the model and serial number of the product.
 * Indicates a component that is not available as an individual part.
 G** Indicates consult Customer Service Department for additional information.

ITEM	PART NO.	1 2 3 4 5	DESCRIPTION	QTY.
30	70509-G01		SHOCK ABSORBER BOOT	2
31	31539-G1		WIRE TIE	4
32				
33	70422-G01		LEAF SPRING (HEAVY DUTY).....	2
34	70163-G03		SPRING PLATE	4
35	00463-G11		BOLT, 7/16 - 14 X 1 3/4" LG	12
36	00734-G1		LOCK NUT, 7/16 - 14	12
37	10044G01		VINYL CAP	1

MOTOR



MOTOR

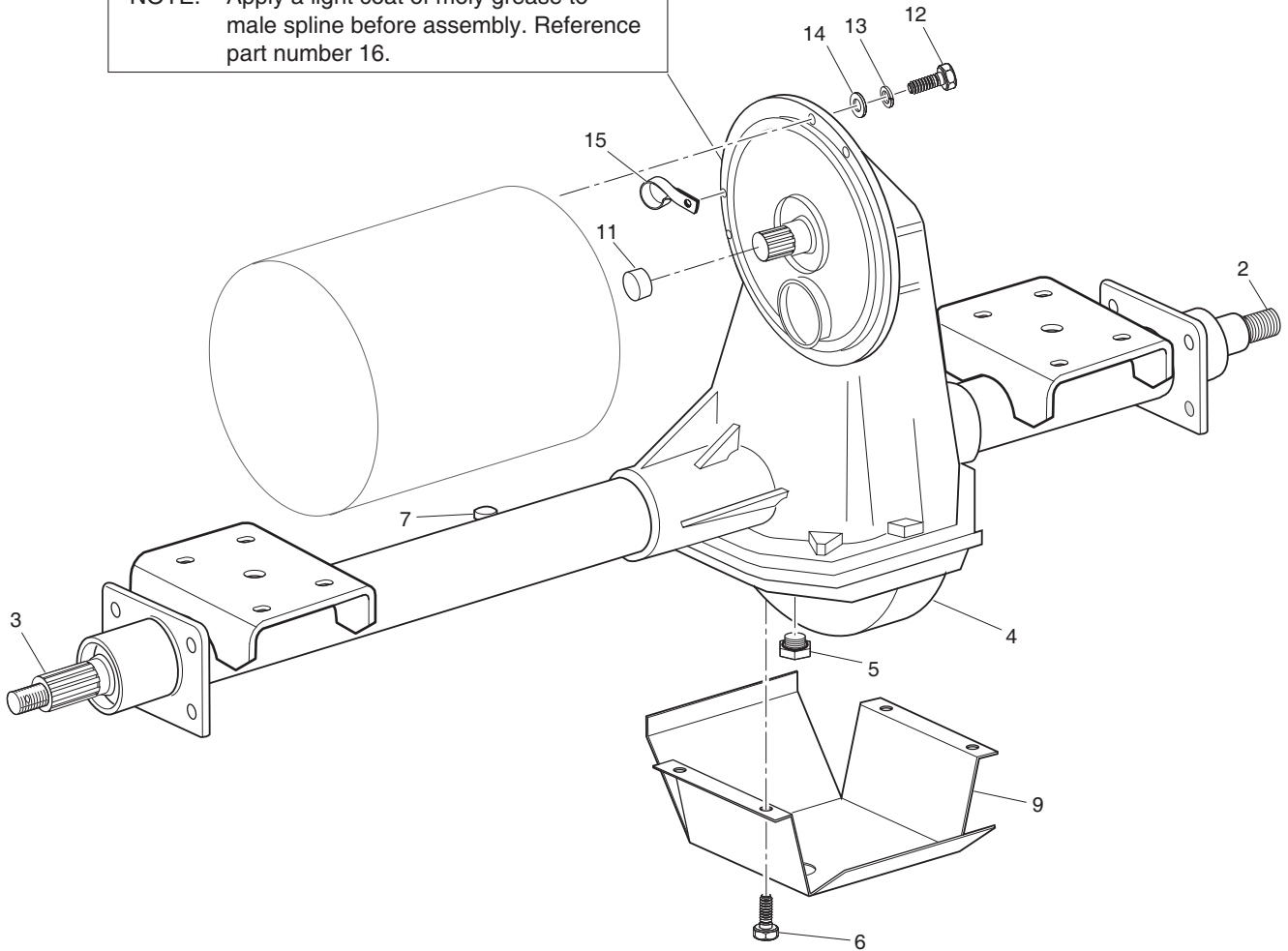
THE USE OF NON U.L. PARTS WILL VOID ANY U.L. LISTING.
 When ordering parts, please specify the model and serial number of the product.
 * Indicates a component that is not available as an individual part.
 G** Indicates consult Customer Service Department for additional information.

ITEM	PART NO.	1	2	3	4	5	DESCRIPTION	QTY.
1	73124-G08						MOTOR (SEPARATELY EXCITED) (PDS) (INCLUDES ITEMS 3 - 17).....	1
2								
3	73120-G18						ARMATURE	1
4	73120-G03						BRUSH SPRING.....	4
5	73120-G15						BRUSH PLATE AND BOX	1
6	73120-G25						BRUSH REPLACEMENT KIT (INCLUDES HARDWARE)	1
7	73120-G07						BEARING	1
8	73120-G06						SNAP RING	1
9	73120-G09						COVER PLATE AND SCREW	1
10	73120-G19						COVER COMMUTATOR END HOUSING	1
11								
12								
13	73120-G31						FRAME AND FIELD COIL (INCLUDES HARDWARE).....	1
14	73328-G01						MAGNET.....	1
15	01037-G01						SCREW, #10-32 X 1/2" LG	1
16	73277-G01						RETAINING RING.....	2
17	73327-G01						SPEED SENSOR.....	1

REAR AXLE

1 - Includes Items 2 - 7

NOTE: Apply a light coat of moly grease to male spline before assembly. Reference part number 16.

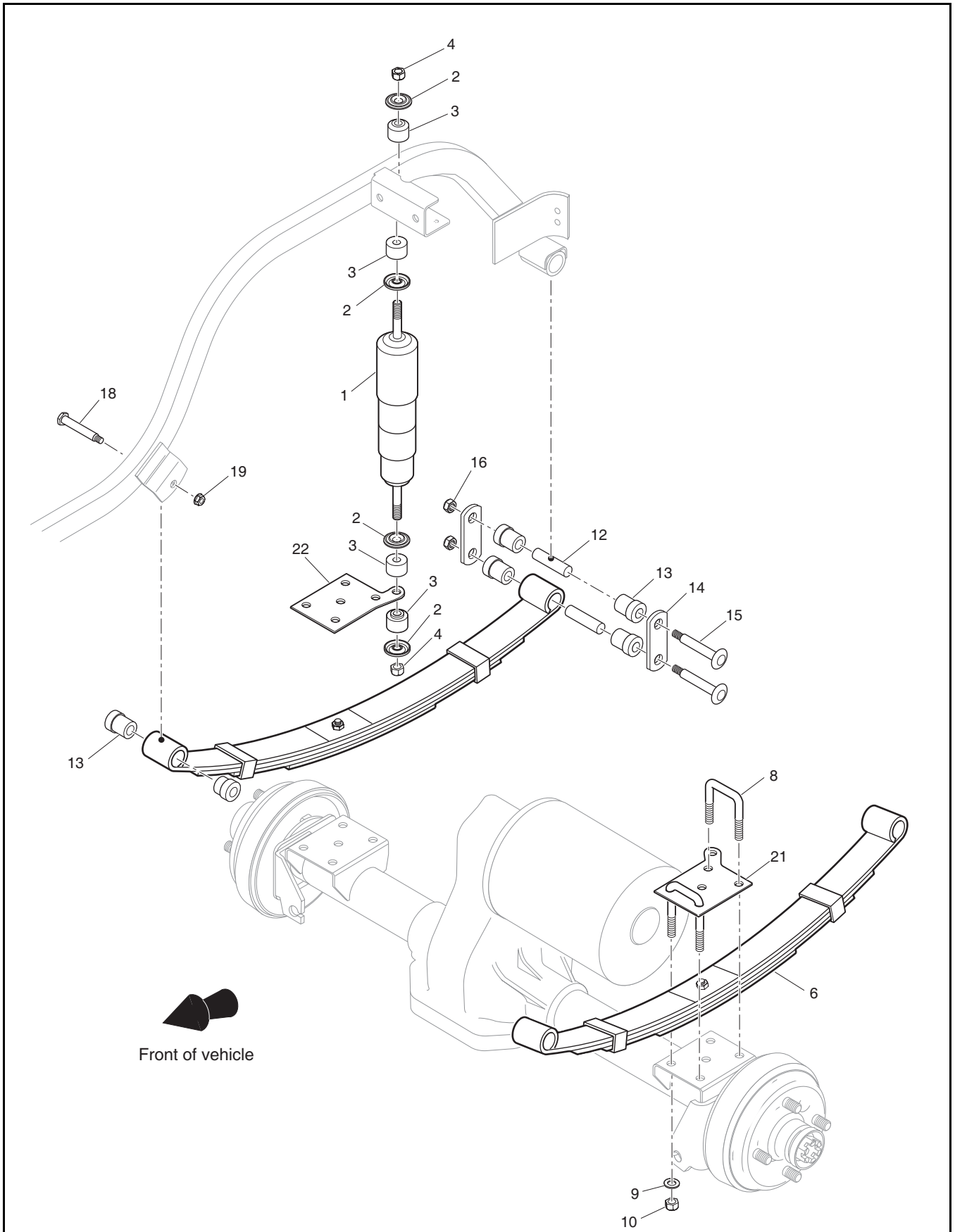


REAR AXLE

Where applicable, THE USE OF NON UL PARTS WILL VOID ANY UL LISTING.
 When ordering parts, please specify the model and serial number of the product.
 * Indicates a component that is not available as an individual part.
 G** Indicates consult Customer Service Department for additional information.

ITEM	PART NO.	1 2 3 4 5	DESCRIPTION	QTY.
1	74776-G01		REAR AXLE ASSEMBLY (INCLUDES ITEMS 2 - 7)	1
2	*		AXLE SHAFT (PASSENGER SIDE).....	1
3	*		AXLE SHAFT (DRIVER SIDE).....	1
4	*		DIFFERENTIAL COVER.....	1
5	28610-G01		FILL PLUG WITH 'O' RING.....	1
6	15558-G1		BOLT, 5/16 - 18 X 3/4" LG.....	10
7	73050-G01		VENT	1
8				
9	72764-G02		SCUFF GUARD	1
10				
11	XXXXX-XXX		SPLINE BUMPER (SEE ELECTRIC MOTOR).....	1
12	00797-G2		BOLT, 1/4 - 20 X 1 1/4" LG	3
13	00565-G7		LOCK WASHER, 1/4" (STAINLESS STEEL)	3
14	00559-G7		WASHER, 1/4" (STAINLESS STEEL)	3
15	27327-G01		CLAMP	1
16	27023-G01		MOLY LUBE, 2 OZ.	AR

REAR SUSPENSION



REAR SUSPENSION

Where applicable, THE USE OF NON UL PARTS WILL VOID ANY UL LISTING.

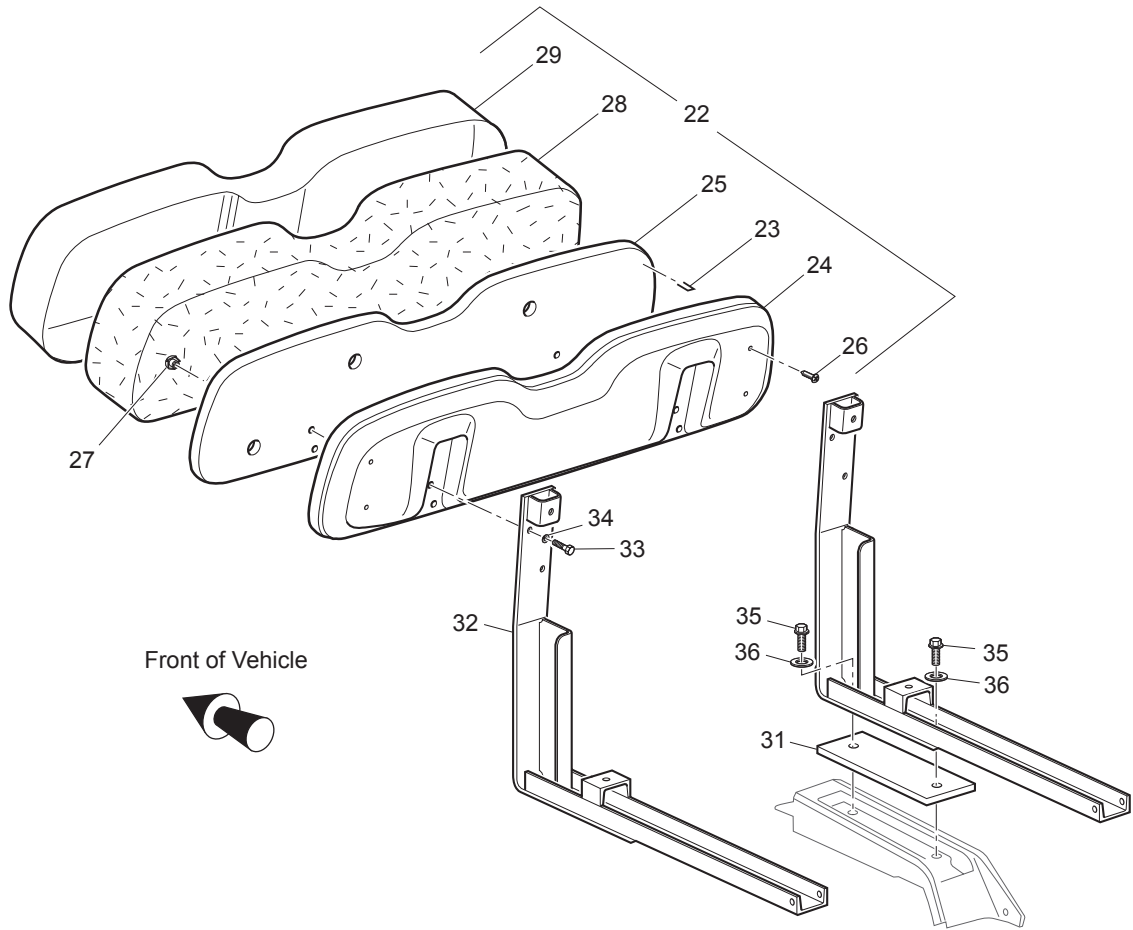
When ordering parts, please specify the model and serial number of the product.

* Indicates a component that is not available as an individual part.

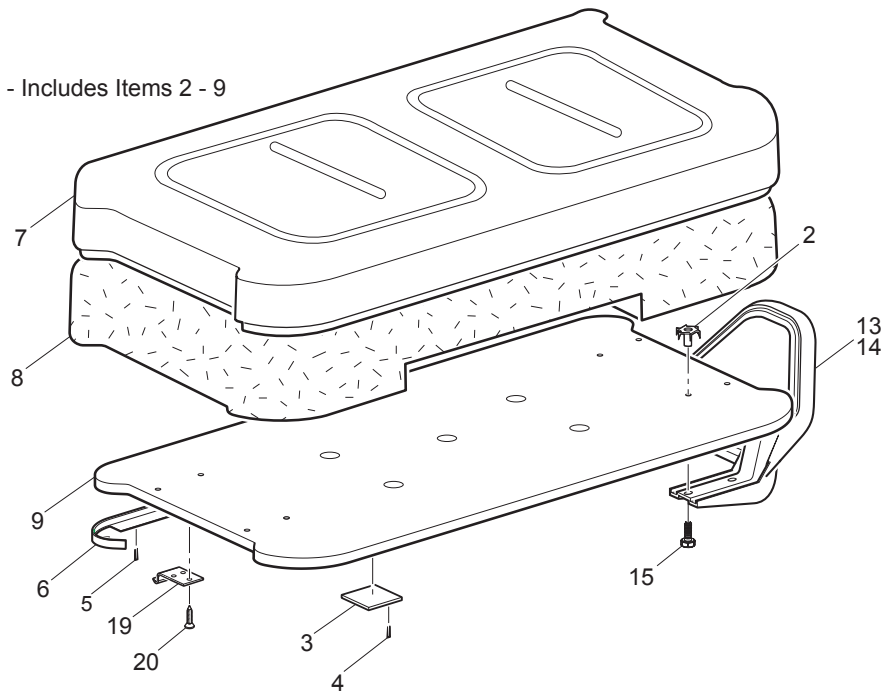
G** Indicates consult Customer Service Department for additional information.

ITEM	PART NO.	1 2 3 4 5	DESCRIPTION	QTY.
1	76418-G01		SHOCK ABSORBER.....	2
2	10435-G1		SHOCK ABSORBER WASHER.....	8
3	10194-G1		RUBBER BUSHING.....	8
4	00532-G6		NUT, 3/8 - 24.....	4
5				
6	75721-G01		LEAF SPRING.....	2
7				
8	72618-G01		'U' BOLT, 3/8 - 16 X 2" X 2 1/2" LG.....	4
9	00560-G1		WASHER, 3/8".....	8
10	11098-G5		LOCK NUT, 3/8 - 16.....	8
11				
12	70289-G02		SPACER.....	4
13	70291-G01		FLANGED BUSHING (LEAF SPRING).....	12
14	70290-G02		SHACKLE PLATE.....	4
15	00665-G9		BOLT, 3/8 - 16 X 3 1/2" LG (STAINLESS STEEL).....	4
16	11098-G5		LOCK NUT, 3/8 - 16.....	4
17				
18	14158-G1		SHOULDER BOLT, 3/8 - 16 X 3 1/4" LG.....	2
19	12262-G1		LOCK NUT, 3/8 - 16.....	2
20				
21	75564-G03		SHOCK ABSORBER MOUNTING PLATE (DRIVER SIDE).....	1
22	75564-G04		SHOCK ABSORBER MOUNTING PLATE (PASSENGER SIDE).....	1

SEATING



1 - Includes Items 2 - 9



SEATING

THE USE OF NON U.L. PARTS WILL VOID ANY U.L. LISTING.

When ordering parts, please specify the model and serial number of the product.

* Indicates a component that is not available as an individual part.

G** Indicates consult Customer Service Department for additional information.

ITEM	PART NO.	1 2 3 4 5	DESCRIPTION	QTY.
1	71611-G**		SEAT BOTTOM ASSEMBLY (INCLUDES ITEMS 2 - 9)	1
2	*		TEE NUT.....	8
3	17074-G1		RUBBER PAD.....	2
4	*		FLAT STAPLE.....	110
5	*		FLAT STAPLE.....	46
6	71012-G01		VINYL TRIM (SEAT BOTTOM).....	1
7	71602-G**		VINYL SEAT BOTTOM COVER	1
8	*		FOAM PADDING (SEAT BOTTOM).....	1
9	*		SEAT BOTTOM (WOOD).....	1
10				
11				
12				
13	71701-G01		HIP RESTRAINT (PASSENGER SIDE)	1
14	71702-G01		HIP RESTRAINT (DRIVER SIDE).....	1
15	71204-G01		BOLT, 1/4 - 20 X 1" LG (STAINLESS STEEL).....	8
16				
17				
18				
19	71610-G01		SEAT HINGE.....	2
20	00720-G08		SCREW, #12 - 14 X 1" LG (STAINLESS STEEL)	6
21				
22	71751-G**		SEAT BACK ASSEMBLY (INCLUDES ITEMS 23 - 29).....	1
23	*		FLAT STAPLE.....	95
24	71752-G01		PLASTIC SEAT BACK COVER	1
25	*		SEAT BACK (WOOD).....	1
26	01107-G01		SCREW, #8 X 3/8" LG (STAINLESS STEEL).....	4
27	*		TEE NUT.....	4
28	*		FOAM PADDING (SEAT BACK).....	1
29	71753-G**		VINYL SEAT BACK COVER	1
30				

SEATING

THE USE OF NON U.L. PARTS WILL VOID ANY U.L. LISTING.

When ordering parts, please specify the model and serial number of the product.

* Indicates a component that is not available as an individual part.

G** Indicates consult Customer Service Department for additional information.

ITEM	PART NO.	1 2 3 4 5	DESCRIPTION	QTY.
31	70364-G01		SPACER.....	2
32	74111-G01		SEAT BACK SUPPORT	2
33	00661-G8		BOLT, 1/4 - 20 X 1" LG (STAINLESS STEEL).....	4
34	00664-G7		LOCK WASHER, 1/4" (STAINLESS STEEL)	4
35	01006-G02		BOLT, 3/8 - 16 X 1 1/2" LG	4
36	00560-G1		WASHER, 3/8"	4
37				
38				
39				
40	71751-G**		SEAT BACK ASSEMBLY (INCLUDES ITEMS 23 - 29).....	1
41	75258-G01		SEAT BACK SUPPORT	1
42	00661-G8		BOLT, 1/4 - 20 X 1" LG (STAINLESS STEEL).....	4
43	00664-G7		LOCK WASHER, 1/4" (STAINLESS STEEL)	4
44	16705-G6		SCREW, 1/4 - 20 X 1 3/4" LG (STAINLESS STEEL)	2
45	00520-G1		ACORN NUT, 1/4 - 20	2
46	75261-G01		END PLUG, 3/4"	2
47				
48	71062-G01		BED ASSEMBLY	1
49	71063-G**		SEAT BOTTOM ASSEMBLY (INCLUDES ITEM 50, 51).....	1
50	75197-G**		SEAT BOTTOM (INCLUDES ITEM 51)	1
51	75252-G**		VINYL SEAT BOTTOM COVER.....	1
52	00762-G6		SCREW, 5/16 - 18 X 1 1/2" LG (STAINLESS STEEL)	2
53	17255-G1		TEFLON WASHER, 5/16"	4
54	00891-G3		LOCK NUT, 5/16 - 18 (STAINLESS STEEL).....	2
55	19859-G1		END CAP, 3/4".....	4
56				
57				
58	71060-G01		BED FRONT (INCLUDES MAT).....	1
59	00661-G6		BOLT, 1/4 - 20 X 3/4" LG (STAINLESS STEEL).....	4
60	00664-G7		WASHER, 5/16"	4

SEATING

THE USE OF NON U.L. PARTS WILL VOID ANY U.L. LISTING.

When ordering parts, please specify the model and serial number of the product.

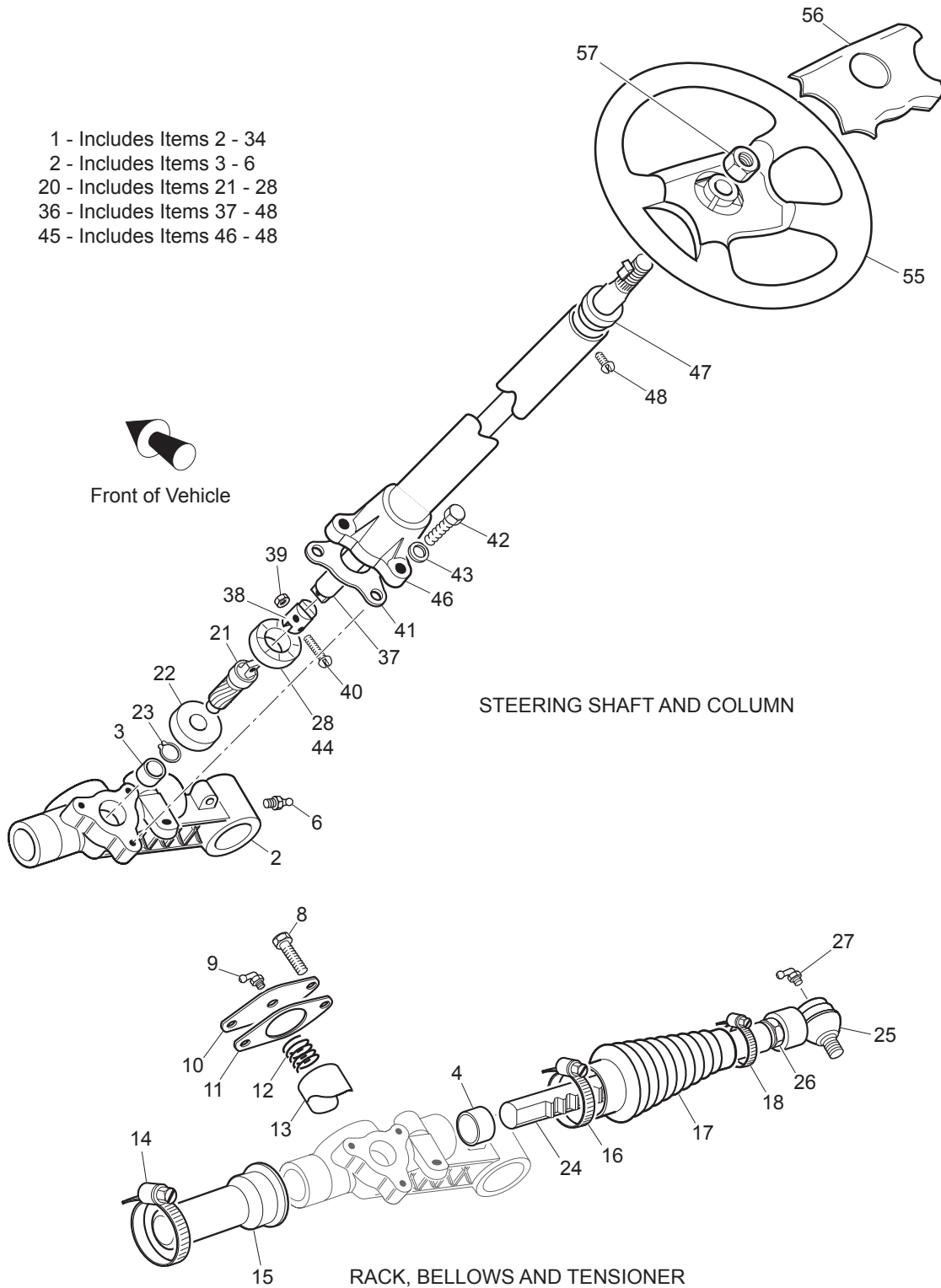
* Indicates a component that is not available as an individual part.

G** Indicates consult Customer Service Department for additional information.

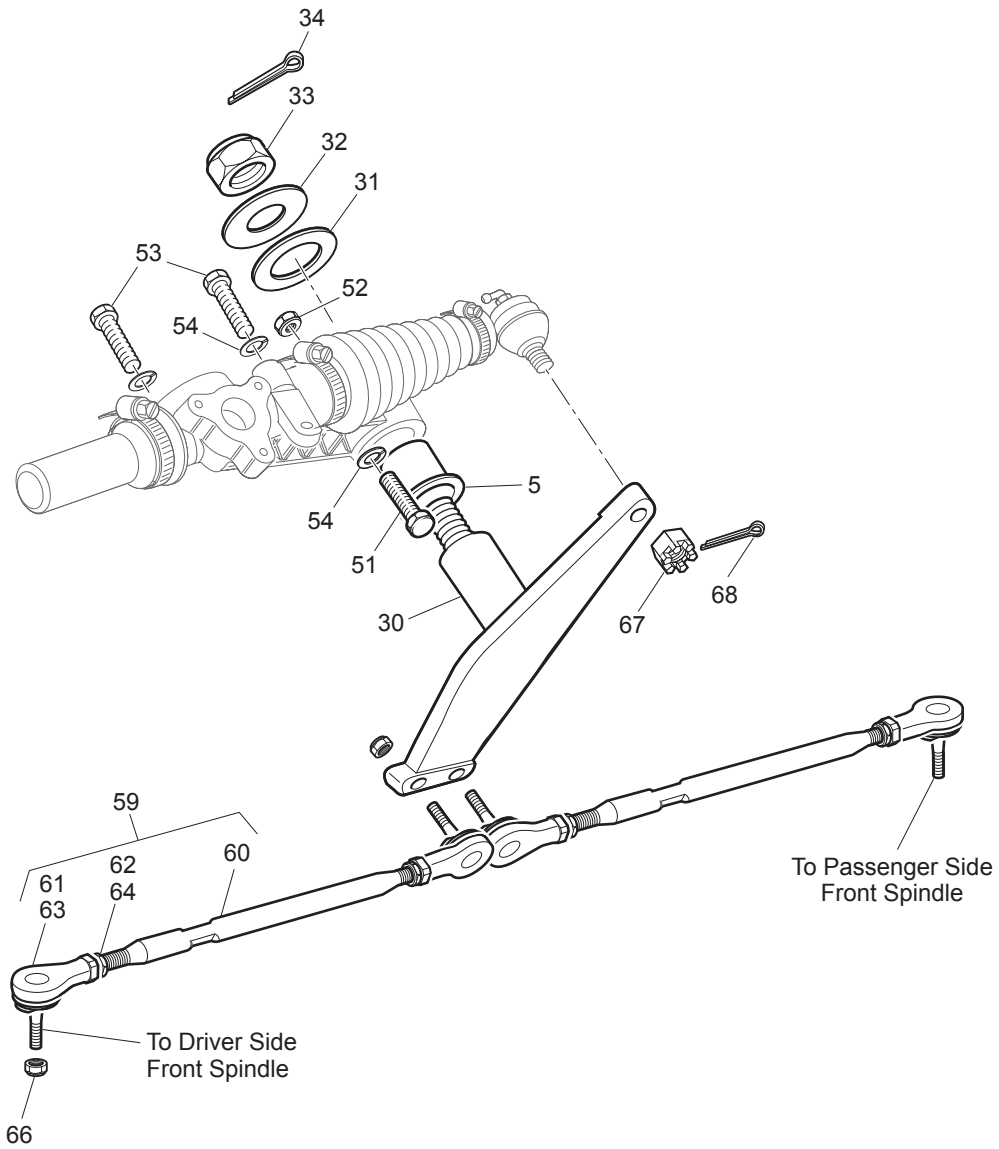
ITEM	PART NO.	1 2 3 4 5	DESCRIPTION	QTY.
61	75193-G01		SUPPORT FRAME.....	1
62	00438-G8		BOLT, 5/16 - 18 X 1" LG.....	2
63	00559-G8		WASHER, 5/16".....	2
64	00891-G3		LOCK NUT, 5/16 - 18.....	2
65	00440-G4		BOLT, 5/16 - 18 X 2 1/2" LG.....	2
66	17838-G1		NYLON BUSHING.....	4
67	00559-G8		WASHER, 5/16".....	2
68	00891-G3		LOCK NUT, 5/16 - 18 (STAINLESS STEEL).....	2
69	75196-G01		HANDRAIL.....	2
70	00762-G2		SCREW, 5/16 - 18 X 1 1/4" LG (STAINLESS STEEL).....	2
71	00664-G8		LOCK WASHER, 5/16" (STAINLESS STEEL).....	2
72	00520-G3		ACORN NUT, 5/16 - 18.....	2
73	75261-G02		END CAP, 1".....	4
74				
75	75460-G01		SIDE BASKET (BLACK).....	2
76	00106-G6		SELF THREADING SCREW, #12 - 24 X 3/4" LG.....	4

STEERING

- 1 - Includes Items 2 - 34
- 2 - Includes Items 3 - 6
- 20 - Includes Items 21 - 28
- 36 - Includes Items 37 - 48
- 45 - Includes Items 46 - 48



IDLER, TIE RODS AND MOUNTING



STEERING

THE USE OF NON U.L. PARTS WILL VOID ANY U.L. LISTING.

When ordering parts, please specify the model and serial number of the product.

* Indicates a component that is not available as an individual part.

G** Indicates consult Customer Service Department for additional information.

ITEM	PART NO.	1	2	3	4	5	DESCRIPTION	QTY.
1	70723-G02						STEERING BOX ASSEMBLY (COMPLETE) (INCLUDES ITEMS 2 - 34)	1
2	70175-G01						STEERING HOUSING (INCLUDES ITEMS 3 - 6)	1
3	*						SLEEVE BEARING	1
4	*						SLEEVE BEARING	1
5	*						FLANGED BEARING	1
6	10389-G3						GREASE FITTING, STRAIGHT	1
7								
8	00426-G6						BOLT, 3/8 - 16 X 3/4" LG.....	2
9	18456-G1						GREASE FITTING, 90°	1
10	70177-G01						RACK GUIDE COVER.....	1
11	70225-G01						GASKET	1
12	70178-G01						COMPRESSION SPRING	1
13	70179-G01						RACK GUIDE.....	1
14	11391-G1						HOSE CLAMP, 1 5/16".....	1
15	70041-G01						RACK COVER	1
16	11391-G1						HOSE CLAMP, 1 5/16".....	1
17	70183-G01						BELLOWS.....	1
18	11391-G5						HOSE CLAMP, 13/16".....	1
19								
20	70724-G01						STEERING GEAR KIT (INCLUDES ITEMS 21 - 28).....	1
21	70717-G01						GEAR PINION	1
22	15112-G1						BALL BEARING	1
23	70190-G01						EXTERNAL RETAINING RING	1
24	70718-G01						STEERING RACK	1
25	70192-G01						RACK BALL END	1
26	00532-G8						JAM NUT, 7/16 - 20	1
27	18456-G1						GREASE FITTING, 90°	1
28	70466-G01						RETAINER.....	1
29								
30	70184-G01						IDLER	1

STEERING

THE USE OF NON U.L. PARTS WILL VOID ANY U.L. LISTING.

When ordering parts, please specify the model and serial number of the product.

* Indicates a component that is not available as an individual part.

G** Indicates consult Customer Service Department for additional information.

ITEM	PART NO.	1 2 3 4 5	DESCRIPTION	QTY.
31	70216-G01		THRUST WASHER, 1 1/2"	1
32	70195-G01		THRUST WASHER, 7/8"	1
33	00734-G6		LOCK NUT, 7/8 - 9	1
34	00798-G8		COTTER PIN, 5/32" X 1 3/4" LG	1
35				
36	70360-G01		STEERING SHAFT/COLUMN KIT (INCLUDES ITEMS 37 - 48)	1
37	14322-G6		STEERING SHAFT	1
38	70558-G01		COUPLING	1
39	00550-G1		LOCK NUT, 1/4 - 20	2
40	70227-G01		SCREW, 1/4 - 20 X 7/8" LG	2
41	70223-G01		GASKET	1
42	01034-G01		BOLT, 3/8 - 16 X 1 1/2" LG WITH PATCHLOCK	3
43	00878-G1		LOCK WASHER, 3/8"	3
44	70466-G01		RETAINER	1
45	28633-G01		STEERING COLUMN KIT (INCLUDES ITEMS 46 - 48)	1
46	*		STEERING COLUMN	1
47	28569-G01		STEERING COLUMN BUSHING	1
48	01022-G01		SCREW, #6 - 20 X 5/16" LG	1
49				
50				
51	00470-G4		BOLT, 7/16 - 20 X 2 1/2" LG	1
52	00734-G3		LOCK NUT, 7/16 - 20	1
53	01033-G01		BOLT, 7/16 - 14 X 1 1/4" LG WITH PATCHLOCK	2
54	00566-G2		LOCK WASHER, 7/16"	3
55	602980		STEERING WHEEL	1
56	71147-G01		STEERING WHEEL COVER	1
57	14390-G2		LOCK NUT, 5/8 - 18	1
58				
59	70904-G04		TIE ROD ASSEMBLY (INCLUDES ITEMS 60 - 64)	2
60	70855-G03		THREADED ROD (10 1/8" LG)	1

STEERING

THE USE OF NON U.L. PARTS WILL VOID ANY U.L. LISTING.

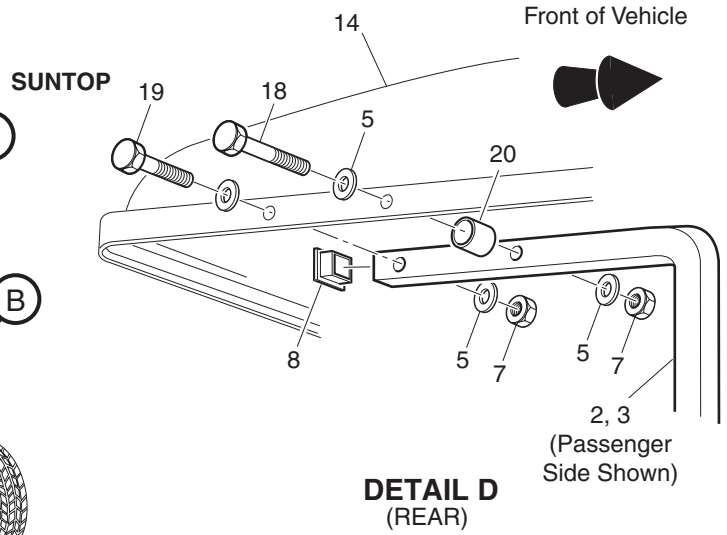
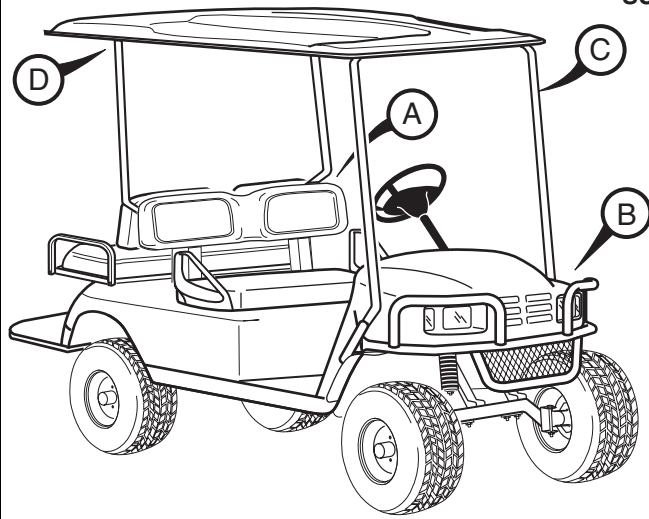
When ordering parts, please specify the model and serial number of the product.

* Indicates a component that is not available as an individual part.

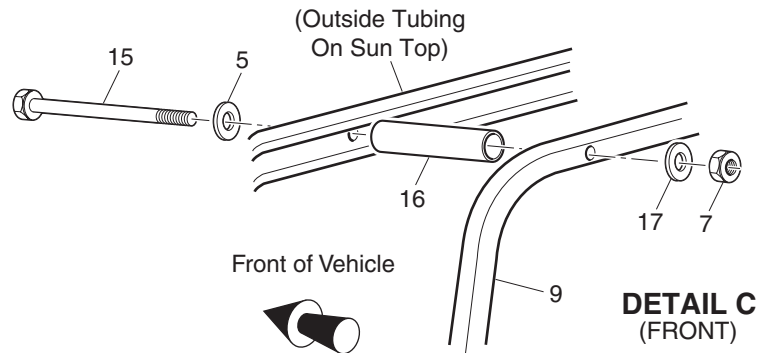
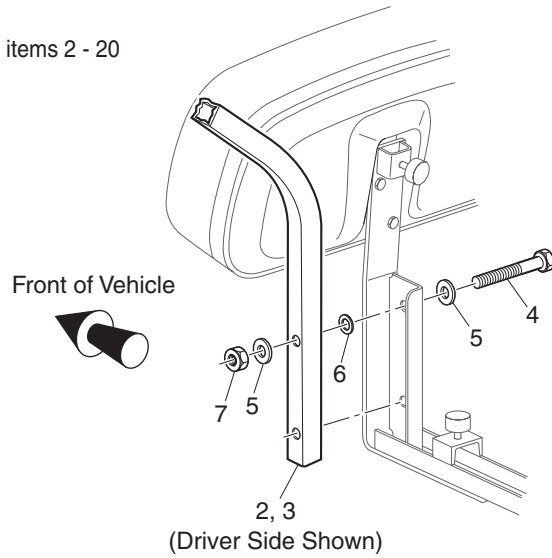
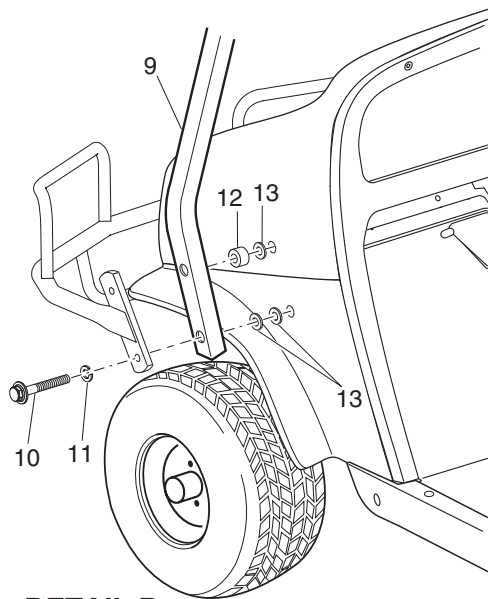
G** Indicates consult Customer Service Department for additional information.

ITEM	PART NO.	1	2	3	4	5	DESCRIPTION	QTY.
61	70902-G01						TIE ROD END (LEFT HAND THREADS)	1
62	01069-G01						JAM NUT, M12 X 1.25-05 (LEFT HAND THREADS).....	1
63	70902-G02						TIE ROD END (RIGHT HAND THREADS).....	1
64	01069-G02						JAM NUT, M12 X 1.25-05 (RIGHT HAND THREADS)	1
65								
66	00734-G1						LOCK NUT, 7/16 - 14	4
67	50209-G2						CASTELLATED NUT, 7/16 - 20	1
68	10387-G2						COTTER PIN, 3/32" X 1" LG	1

WEATHER PROTECTION

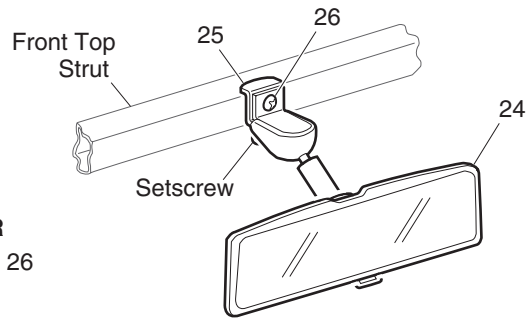


1 - Includes items 2 - 20

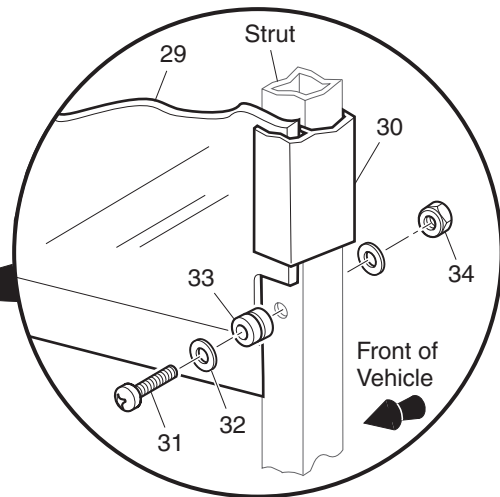
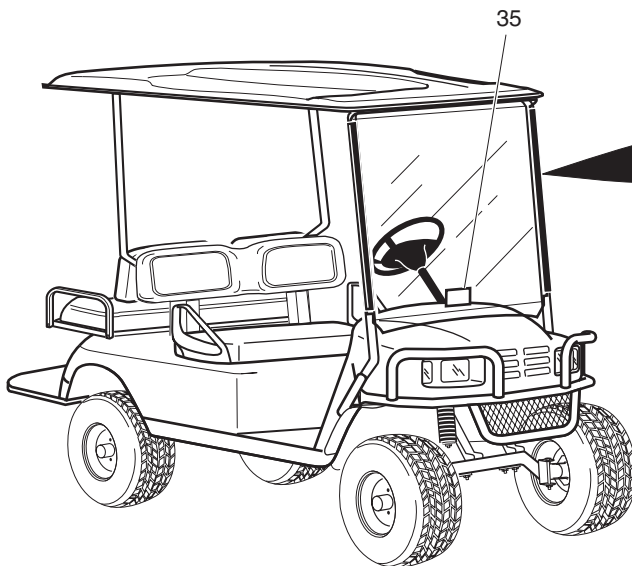
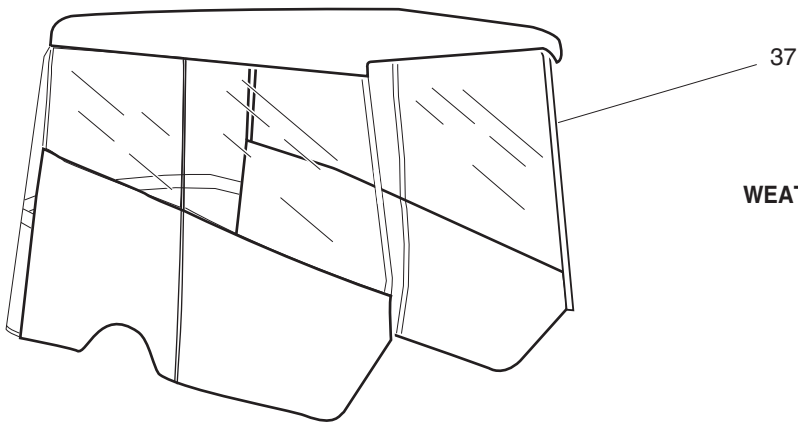


Ref Wea 11-1

REAR VIEW MIRROR
23 - Includes Items 24 - 26



WEATHER ENCLOSURE



27 - Includes Items 29 - 35
28 - Includes Items 29 - 35

WEATHER PROTECTION

THE USE OF NON U.L. PARTS WILL VOID ANY U.L. LISTING.

When ordering parts, please specify the model and serial number of the product.

* Indicates a component that is not available as an individual part.

G** Indicates consult Customer Service Department for additional information.

ITEM	PART NO.	1 2 3 4 5	DESCRIPTION	QTY.
1	75123-G01		SUN TOP KIT (INCLUDES ITEMS 2 - 20)	1
2	75074-G01		REAR STRUT (DRIVER SIDE).....	1
3	75074-G02		REAR STRUT (PASSENGER SIDE).....	1
4	00665-G5		BOLT, 3/8 - 16 X 1 3/4" LG (STAINLESS STEEL)	4
5	00679-G1		WASHER, 3/8" (STAINLESS STEEL).....	18
6	00771-G5		NYLON WASHER, 3/8.....	4
7	00891-G5		LOCK NUT, 3/8 - 16.....	10
8	19853-G1		END CAP, 1"	2
9	75125-G01		FRONT STRUT.....	1
10	0440-G2		BOLT, 5/16 - 18 X 2 1/4" LG.....	4
11	00905-G8		LOCK WASHER, 5/16"	4
12	75048-G01		SPACER, 1/2"	2
13	00879-G1		LOCK WASHER, 3/8"	4
14	27604-G01		SUN TOP	1
15	00674-G8		BOLT, 3/8 - 16 X 5" LG (STAINLESS STEEL)	2
16	18716-G1		SPACER	2
17	00653-G1		WASHER, 3/8" (STAINLESS STEEL).....	2
18	00665-G3		BOLT, 3/8 - 16 X 2 1/2" LG (STAINLESS STEEL)	2
19	00665-G6		BOLT, 3/8 - 16 X 2" LG (STAINLESS STEEL)	2
20	24647-G1		SPACER, 1/4"	2
21				
22				
23	19528-G2		REAR VIEW MIRROR KIT (INCLUDES ITEMS 24 - 26)	1
24	19496-G1		REAR VIEW MIRROR	1
25	19502-G2		SUPPORT BRACKET.....	1
26	19527-G1		SCREW, #8 - 32 X 5/8" LG (STAINLESS STEEL).....	1
27	75525-G03		WINDSHIELD KIT ST 4-CADDY (REQUIRES SUN TOP KIT) (INCLUDES ITEMS 29-35).....	1
28	71966-G01		WINDSHIELD KIT (LEXAN) (REQUIRES SUN TOP KIT) (INCLUDES ITEMS 29 - 35).....	1
29	*		WINDSHIELD	1

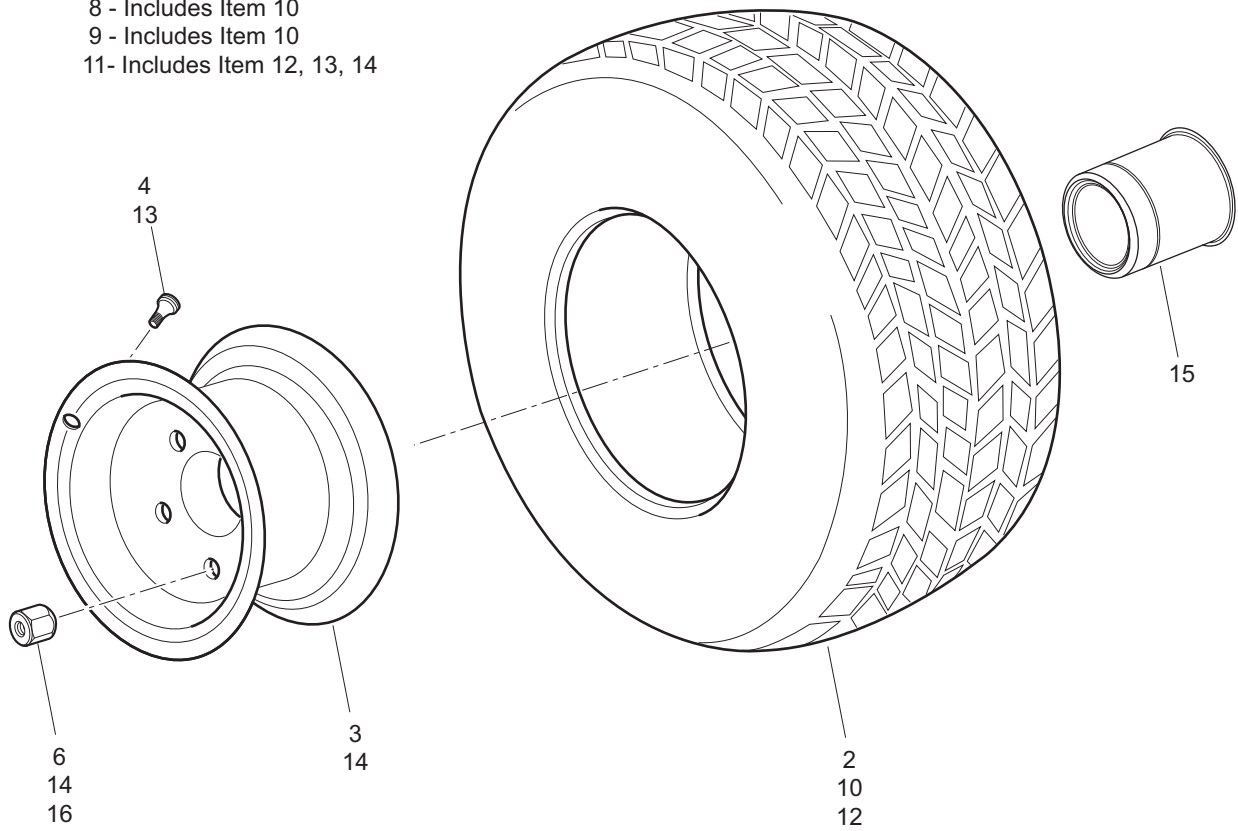
WEATHER PROTECTION

THE USE OF NON U.L. PARTS WILL VOID ANY U.L. LISTING.
 When ordering parts, please specify the model and serial number of the product.
 * Indicates a component that is not available as an individual part.
 G** Indicates consult Customer Service Department for additional information.

ITEM	PART NO.	1	2	3	4	5	DESCRIPTION	QTY.
30	110-035A						SASH, 26" LG	2
31	110-072A						SCREW, 1/4 - 20 X 1 3/4" LG (STAINLESS STEEL).....	2
32	110-072B						WASHER, 1/4" (STAINLESS STEEL).....	4
33	110-072C						RUBBER GROMMET	2
34	110-072D						LOCK NUT, 1/4 - 20 (STAINLESS STEEL).....	2
35	110-066						LABEL (SAFETY)	1
36								
37	75492-G01						WEATHER ENCLOSURE (3 SIDED) (REQUIRES SUN TOP KIT)	1
							Replacement Parts for items 30-35 may be obtained from: Eagle Parts, Inc 1811 Wilkinson Rd. Augusta, GA 30904 Telephone (706) 729-9911 Fax (706) 729-9955	

WHEELS AND TIRES

- 1 - Includes Items 2, 3, 4
- 8 - Includes Item 10
- 9 - Includes Item 10
- 11- Includes Item 12, 13, 14



(Style of tire may differ from tire shown)

WHEELS AND TIRES

When ordering parts, please specify the model and serial number of the product.
 * Indicates a component that is not available as an individual part.
 G** Indicates consult Customer Service Department for additional information.

ITEM	PART NO.	1	2	3	4	5	DESCRIPTION	QTY.
1	28442-G03						BLACK WHEEL AND TURF SAVER® TIRE ASSEMBLY (INCLUDES ITEMS 2, 3, 4).....	AR
2	28442-G02						TIRE, 20 X 10 - 10 TURF SAVER®.....	1
3	15172-G02						WHEEL RIM, (4 LUG).....	1
4	11657-G1						VALVE STEM.....	1
5								
6	14723-G1						LUG NUT, 1/2 -20.....	AR
7								
8	74842-G03						WHEEL & TRAIL WOLF TIRE® ASSEMBLY PASSENGER SIDE (INCLUDES ITEM 10)	AR
9	74842-G04						WHEEL & TRAIL WOLF TIRE® ASSEMBLY DRIVER SIDE (INCLUDES ITEM 10)	AR
10	74842-G05						TIRE, 20 X 11 - 10 TRAIL WOLF®.....	1
11	608915						WHEEL ASSEMBLY (INCLUDES ITEM 12, 13, 14)	AR
12	606141						TERRA TRAC TIRE.....	1
13	604915						VALVE STEM.....	1
14	604927						WHEEL - POLISHED SPOKED.....	1
15	604929						CENTER CAP	AR
16	601354						NUT, LUG	AR

SPECIALTY PRODUCTS

SPECIALTY PRODUCTS

SPECIALTY PRODUCTS

SPECIAL TOOLS	PART NO.
BATTERY MAINTENANCE KIT	25587-G01
SEAL INSTALLATION TOOL (REAR AXLE SHAFT SEAL)	18739-G1
BATTERY SET DISCHARGER, 36 VOLT, 75 AMP	28251-G01
CURRENT INDICATOR	16489-G2
DIGITAL MULTI-METER	27481-G01
CRIMPING TOOL	27765-G01
TUBELESS TIRE REPAIR KIT	606009
TIRE PLUBBER REFILL PACK (50/BOX)	606831

TOUCH UP PAINT	PART NO.
PEN 3 OUNCE (89 ML) - HUNTER GREEN	28432-G02
PEN 3 OUNCE (89 ML) - CHAMPAGNE BEIGE	28432-G01
PEN 3 OUNCE (89 ML) - WHITE	28432-G05
PEN 3 OUNCE (89 ML) - INDUSTRIAL YELLOW	28432-G03
PEN 3 OUNCE (89 ML) - ORANGE	28432-G04
PEN 3 OUNCE (89 ML) - STEEL BLUE PEARL	28432-G**
PEN 3 OUNCE (89 ML) - CAMOUFLAGE PAINT (THREE PENS)	75831-G01
AEROSOL 12 OUNCE (360 ML) - HUNTER GREEN	28140-G09
AEROSOL 12 OUNCE (360 ML) - CHAMPAGNE BEIGE	28140-G15
AEROSOL 12 OUNCE (360 ML) - INDUSTRIAL YELLOW	28140-G14

MAINTENANCE PRODUCTS	PART NO.
BATTERY PROTECTOR, 14 OUNCE (410 ML) SPRAY	27619-G02
E-Z-GO ALL SURFACE CLEANSER	606311
E-Z-GO FIBERGLASS/PLASTIC RESTORER	606313
W/SHIELD AND PLASTIC PROTECTOR	606314
64 OZ HAND CLEANER	607636
4 OZ HAND CLEANER	607637

OPTIONS/ACCESSORIES

OPTIONS/ACCESSORIES

OPTIONS/ACCESSORIES

ACCESSORIES LISTING

ASH TRAY INSTALLATION, FIELD KIT, E-COAT	75109-G04	Body
COOLER & BRACKET KIT	75344-G01	Body
FAN, DEFROSTER/COOLING	74248-G01	Body
WATER COOLER	75170-G01	Body
INST'L COOLER KIT (BLACK) (FIELD).	74581-G01	Body
INST'L COOLER KIT (GREEN) (FIELD)	74581-G02	Body
GUN MOUNT, SWIVEL W/BASE PLATE.	74533-G01	Body
GUN HOLDER, REMOVEABLE FLOOR MT.	74365-G01	Body - St Sport 2+2 E
KIT, FRONT BASKET	71065-G02	Body - St Sport 2+2 E
POWERWISE QE BATTERY CHARGER, 36 VOLT, W/5.5 METER CORD	611120	Battery Charger
TURN SIGNAL - FIELD INSTALLATION	75107-G02	Electrical
HOUR METER - FIELD INSTALLATION	75113-G02	Electrical
REAR VIEW MIRROR FIELD KIT (REQ SUN TOP KIT)	19528-G2	Weather protection
MESSAGE HOLDER KIT - ONE PIECE (REQ SUN TOP KIT).	75509-G01	Weather protection
MESSAGE HOLDER KIT (REQ SUN TOP KIT)	75496-G01	Weather protection
TOP CAP, ADV CAMO (FLD)	75378-G02	Weather protection
TOP CAP, HDT CAMO (FLD)	75378-G04	Weather protection
ENCLOSURE - 3 SIDES	75492-G01	Weather protection - Clays Car Electric
ENCLOSURE - 3 SIDES ADV CAMO	75492-G02	Weather protection - Clays Car Electric
ENCLOSURE - 3 SIDES HDT CAMO	75492-G03	Weather protection - Clays Car Electric
WINDSHIELD KIT FLAT-CLIP ON CLEAR	75524-G03	Weather protection - Clays Car Electric
SUN TOP KIT - PERSONNEL CARRIER.	75123-G01	Weather protection - Clays Car Electric
SUN TOP, TAN MPT800	75040-G11	Weather protection - Clays Car Electric
SUN TOP, BRN MPT800	75040-G07	Weather protection - Clays Car Electric
ENCLOSURE, 3 SIDES TAN.	75367-G03	Weather protection - Clays Car Electric
ENCLOSURE, 3 SIDES ADV CAMO.	75367-G04	Weather protection - Clays Car Electric
ENCLOSURE, 3 SIDES HDT CAMO.	75367-G05	Weather protection - Clays Car Electric
ENCLOSURE - 3 SIDES	75078-G01	Weather protection - St Sport 2+2 E

ACCESSORIES LISTING

ENCLOSURE - 3 SIDES ADV CAMO	75078-G02	Weather protection - St Sport 2+2 E
ENCLOSURE - 3 SIDES HDT CAMO	75078-G03	Weather protection - St Sport 2+2 E
WINDSHIELD KIT FLAT-CLIP ON, 30/70	71966-G03	Weather protection - St Sport 2+2 E
WHEEL ASSEMBLY - TERRA TRAC	608915	Wheels and Tires - Clays Car PDS

OPTIONS/ACCESSORIES

ITEM	KIT NO.	SECTION
WHEEL ASSEMBLY - TERRA TRAC	608915.....	Wheels and Tires - ST Sport 2+2 PDS



A Textron Company

E-Z-GO Division Of Textron, Inc.,
1451 Marvin Griffin Road, Augusta, Georgia USA 30906-3852

TO CONTACT US

North America:

Technical Assistance & Warranty Phone: 1-800-774-3946, FAX: 1-800-448-8124
Service Parts Phone: 1-888-GET-EZGO (1-888-438-3946), FAX: 1-800-752-6175

International:

Phone: 001-706-798-4311, FAX: 001-706-771-4609

Certified ISO 9001 / ISO 14001 by



Copyrighted Material
This manual may not be reproduced in whole or
in part without the express permission of
E-Z-GO Division of Textron, Inc.
Technical Communications Department