



SERVICE PARTS MANUAL



AMBUSH is

634510

ISSUED NOVEMBER 2013

REVISED SEPTEMBER 2014

SERVICE PARTS MANUAL

4 X 4 HYBRID UTILITY VEHICLE

AMBUSH iS

STARTING MODEL YEAR 2014

CALIFORNIA Proposition 65 Warning

WARNING: Engine exhaust, some of its constituents, and certain vehicle components contain or emit chemicals known to the State of California to cause cancer and birth defects or other reproductive harm. In addition, certain fluids contained in vehicles and certain products of component wear contain or emit chemicals known to the State of California to cause cancer and birth defects or other reproductive harm.

Never modify the vehicle in any way that will alter the weight distribution of the vehicle, decrease its stability, or increase the speed beyond the factory specifications. Such modifications can cause serious personal injury or death. Bad Boy Buggies prohibits and disclaims responsibility for any such modifications or any other alterations which would adversely affect the safety of the vehicle.

BB Buggies Inc. reserves the right to incorporate engineering and design changes to products in this manual, without obligation to include these changes on units sold previously.

The information contained in this manual may be revised periodically by BB Buggies Inc., and therefore is subject to change without notice.

BB Buggies Inc. **DISCLAIMS LIABILITY FOR ERRORS IN THIS MANUAL**, and **SPECIFICALLY DISCLAIMS LIABILITY FOR INCIDENTAL AND CONSEQUENTIAL DAMAGES** resulting from the use of the information and materials in this Manual.

TO CONTACT US:

Bad Boy Buggies

1451 Marvin Griffin Rd.

Augusta, GA 30906

PHONE: 800.448.7476

E-mail: info@badboybuggies.com

For parts and repair, contact your local dealer. To locate a local dealer, please go online to our web site:

www.BADBOYBUGGIES.com

NOTES

This vehicle has been designed and manufactured in the United States of America (USA) as a 'World Vehicle'. The Standards and Specifications listed in the following text originate in the USA unless otherwise indicated.

The use of non Original Equipment Manufacturer (OEM) approved parts may void the warranty.

Overfilling battery may void the warranty.

Tampering with or adjusting the governor to permit vehicle to operate at above factory specifications will void the vehicle warranty.

When servicing engines, all adjustments and replacement components must be per original vehicle specifications in order to maintain the United States of America Federal and State emission certification applicable at the time of manufacture.

BATTERY PROLONGED STORAGE

All batteries will self discharge over time. The rate of self discharge varies depending on the ambient temperature and the age and condition of the batteries.

A fully charged battery will not freeze in winter temperatures unless the temperature falls below -75° F (-60° C).

For winter storage, the batteries must be clean, fully charged and disconnected from any source of electrical drain. The battery charger and the controller are both sources of electrical drain. Unplug the battery charger DC plug from the vehicle receptacle.

As with all electric vehicles, the batteries must be checked and recharged as required or at a minimum of 30 day intervals.

BATTERY DISPOSAL

Lead-acid batteries are recyclable. Return whole scrap batteries to distributor, manufacturer or lead smelter for recycling. For neutralized spills, place residue in acid-resistant containers with absorbent material, sand or earth and dispose of in accordance with local, state and federal regulations for acid and lead compounds. Contact local and/or state environmental officials regarding disposal information.

WARRANTY

Separate inserts supplied in packaging with the vehicle provide information on Product Warranty and on Emissions Warranty. Failure to follow instructions for emission parts replacement may violate Federal Law (40 CFR part 1068.105 (b)) and be subject to fines and other penalties as described in the Clean Air Act.

TABLE OF CONTENTS

SECTION	Page No.
HOW TO USE THE SERVICE PARTS MANUAL	v
ACCELERATOR	A
BATTERY SYSTEM	C
BODY	D
BODY - FRONT	D - 1
BODY - MID	D - 3
BODY - REAR	D - 5
BODY - ACCESSORIES	D - 9
BRAKES	E
CLUTCH	F
DIRECTION SELECTOR	G
DIFFERENTIAL LOCK	H
ELECTRICAL SYSTEM	J
ENGINE	K
ENGINE AND MUFLER	L
FRONT AXLE	M
FRONT SUSPENSION AND STEERING	N
FUEL SYSTEM	P
MOTOR	Q
OPERATOR PROTECTION SYSTEM	R
REAR AXLE	S
REAR SUSPENSION	T
SEATING	U
TRUCK BED	V
WEATHER PROTECTION	W
WHEELS AND TIRES	Y

HOW TO USE THE SERVICE PARTS MANUAL

This manual is divided into several sections:

- GENERAL INFORMATION
- ILLUSTRATED PARTS BREAKDOWN
- APPENDIX

The first section, GENERAL INFORMATION, contains the following information:

- WARRANTY INFORMATION
- GENERAL INDEX
- HOW TO USE THE SERVICE PARTS MANUAL

The second section, ILLUSTRATED PARTS BREAKDOWN, contains illustrations and parts lists for all systems of your vehicle.

The third section, APPENDIX, contains a listing of specialty products and accessories.

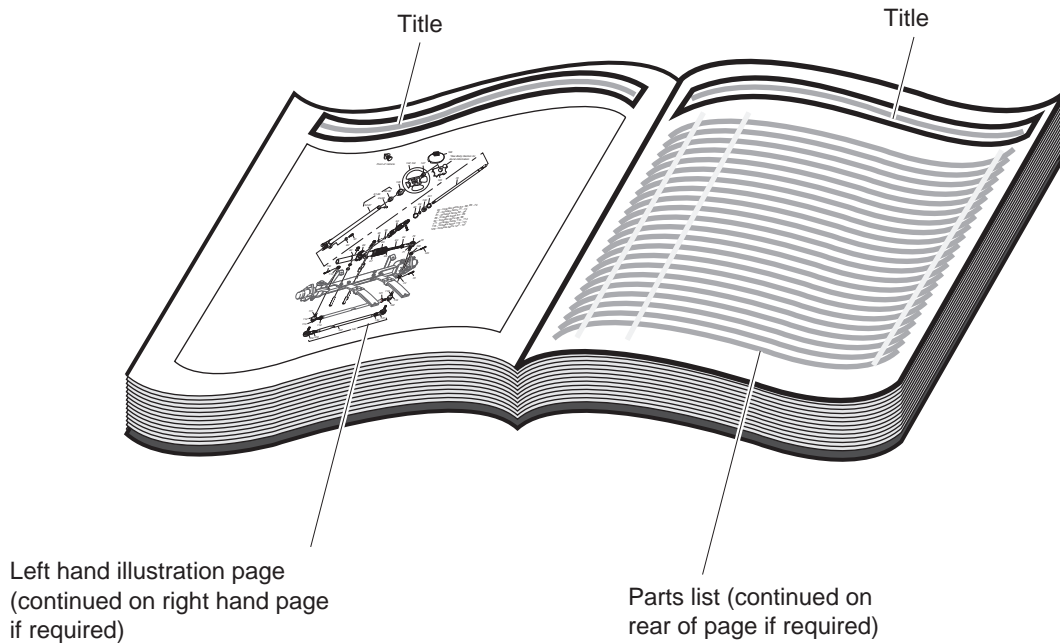
USE OF THE MANUAL

To use this manual, consult the GENERAL INDEX to locate the information or illustration required.

Introduction of some revisions varies due to supply of components; therefore, it is possible that various combinations of components may be found that are not directly reflected by each illustration. Consult the illustration that best suits your situation and then contact the Service Parts Department. It is important that the serial number of your vehicle and its model number be supplied to Service Parts when ordering any replacement components.

Locate the serial number plate (see BODY located in the Illustrated Parts Breakdown section of this manual for its location) and note the complete number shown on the plate.

HOW TO USE THE SERVICE PARTS MANUAL



1. WHEN THE PART NUMBER IS NOT KNOWN

- Determine the function and application of the part required. Turn to the General Index and select the most appropriate title.
- Turn to the page number indicated and locate the desired part on the illustration.
- From the illustration, obtain the item number assigned to the desired part. Refer to the accompanying description for specific information regarding the part.

2. IF YOU KNOW THE PART NUMBER

- Locate the part number or description in the appropriate column on the parts list page.

NOTE: It is suggested that you confirm that the part selected is correct by verifying it with the pictorial representation on the illustrated page.

Should an asterisk (*) appear in the part number column on the parts list page, read upwards until a part number is found. The part number is the lowest assembly sold by Service Parts and the asterisk (*) indicates that the part depicted is not available for purchase.

NOTE: Descriptions are indented under the assembly that they are used on. That assembly is, in turn listed under the assembly that it is used on. This process is repeated until the highest final assembly is reached.

To facilitate the maintenance and repair of the vehicle, a Technician's Repair and Service Manual is available from the Service Parts Department.

HOW TO USE THE SERVICE PARTS MANUAL

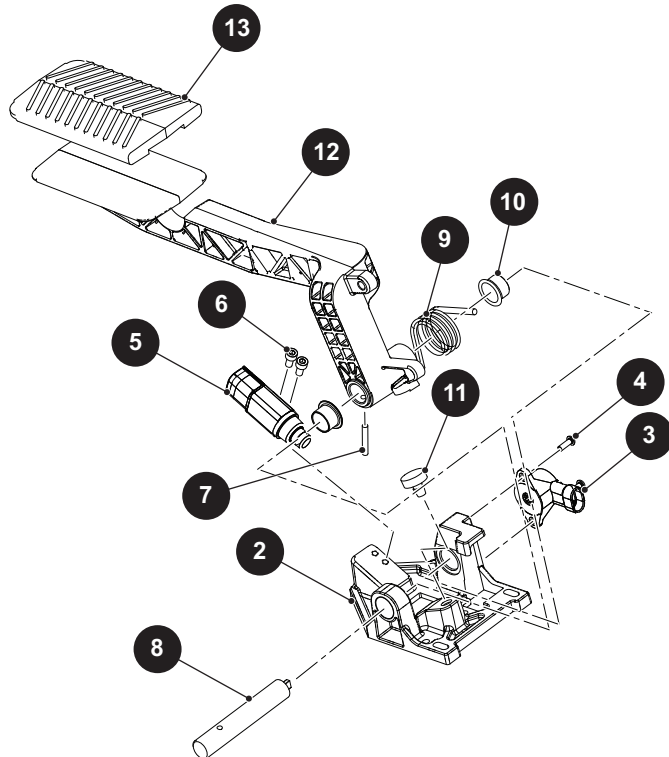
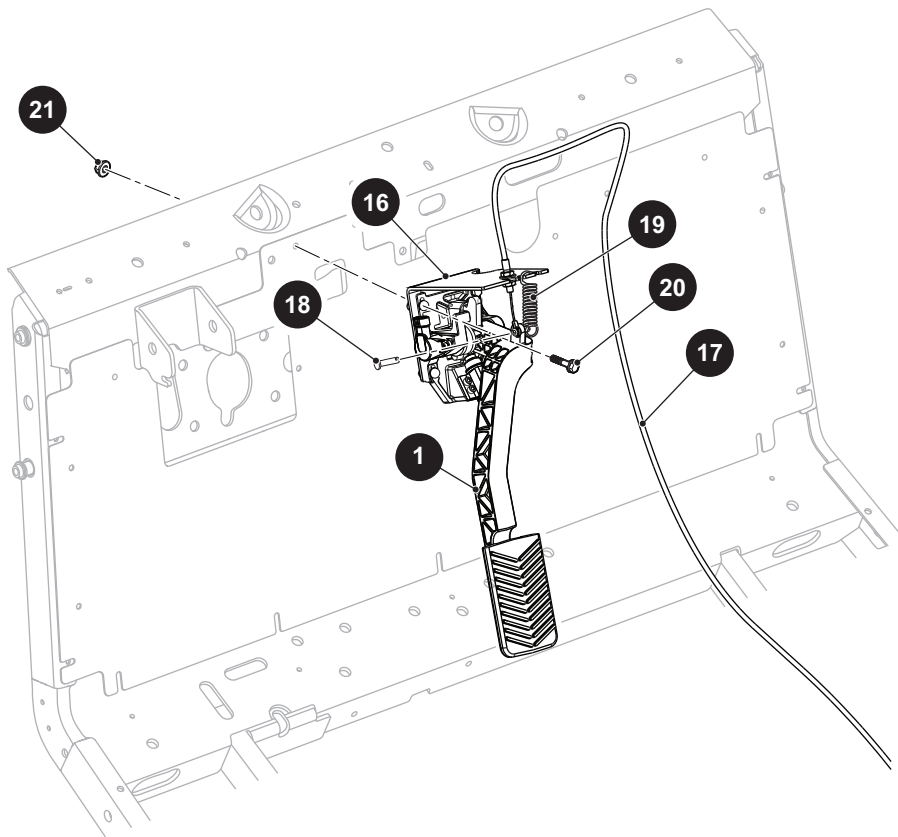
3. COLOR CODE FOR BODY COMPONENTS

The last two digits of the part number for the body part will denote the color code. Locate the part number for the cowl, rear body, seat pod, side panel or seat wrap then locate your color in the list below. Replace the last ** or XX with the two digit color code.

<u>CODE #</u>	<u>DESCRIPTION</u>
39	FLAME RED
55	REALTREE ADVANTAGE MAX 4-DIPPED
72	MATTE BLACK
73	MATTE GREEN
78	REALTREE XTRA DIPPED

ACCELERATOR

1 ACCELERATOR PEDAL ASSEMBLY includes items 2 - 13



ACCELERATOR

THE USE OF NON U.L. PARTS WILL VOID ANY U.L. LISTING.

When ordering parts, please specify the model and serial number of the product.

* Indicates a component that is not available as an individual part.

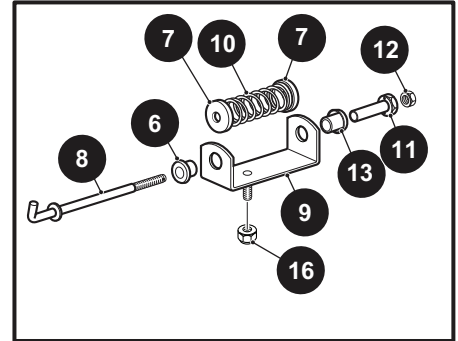
*** Indicates consult Customer Service Department for additional information.

ITEM	PART NO.	1 2 3 4 5	DESCRIPTION	QTY.
1	632681		ACCELERATOR PEDAL ASSEMBLY (INCLUDES ITEMS 2 - 13).....	1
2	626140		ACCELERATOR PEDAL BRACKET	1
3	600019		ROTARY POSITION SENSOR.....	1
4	600543		TORX BOLT, M4 - 0.75 X 12MM LG.....	2
5	612889		PEDAL SWITCH.....	1
6	620030		SOCKET HEAD CAP SCREW, M5 - 0.8 X 10MM LG.....	2
7	600683		PIN, 4MM X 26MM	1
8	626142		ACCELERATOR PIVOT SHAFT	1
9	613098		TORSION SPRING, 4.5MM DIA	1
10	625731		FLANGED BUSHING, 16MM X 12MM	2
11	604097		REBOUND BUMPER	1
12	632679		SUSPENDED ACCELERATOR PEDAL.....	1
13	610529		ACCELERATOR PEDAL COVER	1
14				
15				
16	632759		ACCELERATOR BRACKET	1
17	635195		ACCELERATOR PEDAL CABLE.....	1
18	10386G2		CLEVIS PIN	1
19	632919		ACCELERATOR PEDAL HELPER SPRING	1
20	612920		HEX HEAD BOLT, M6 - 1 X 25MM LG.....	3
21	601476		LOCK NUT, M6 - 1	3

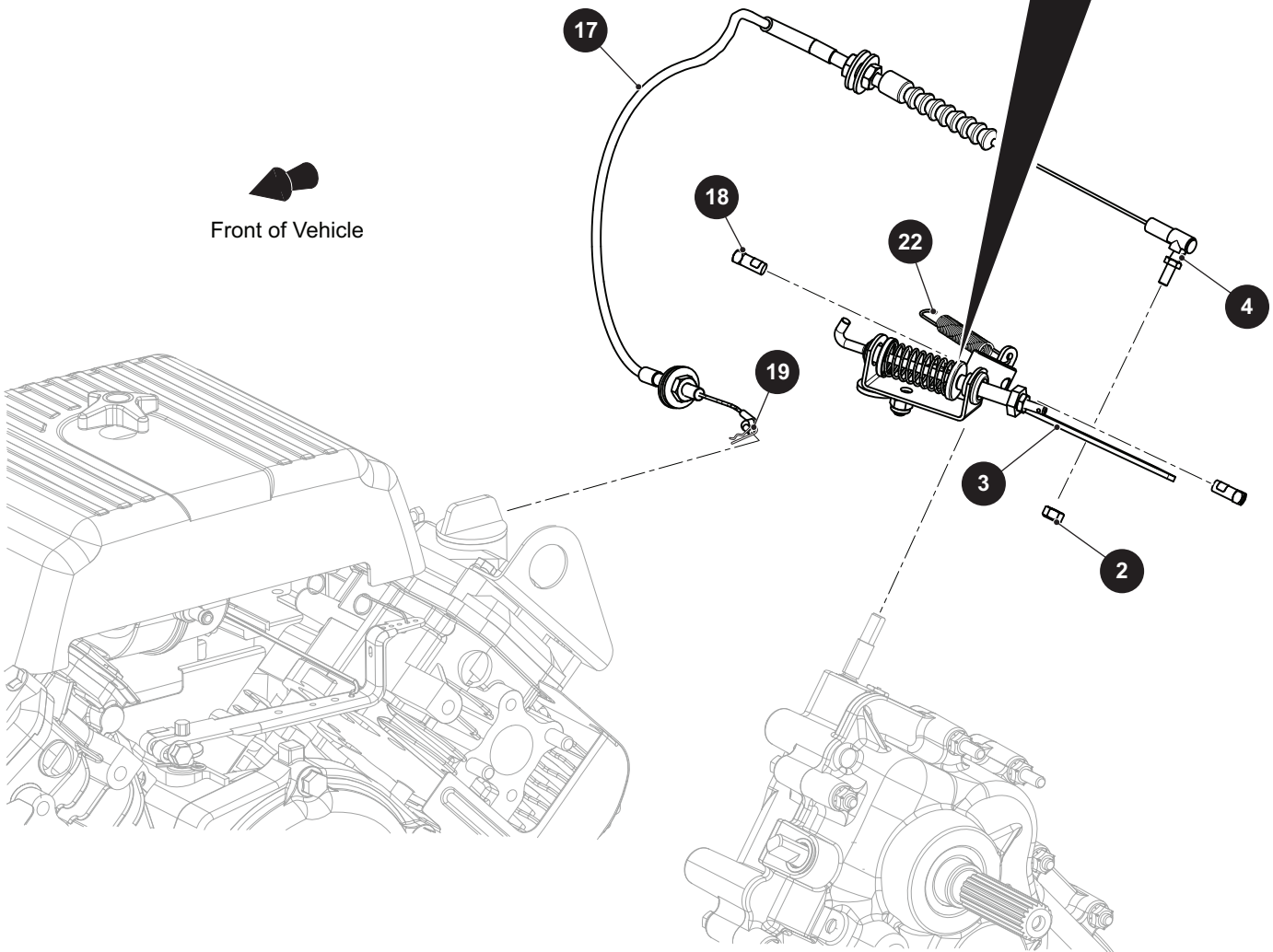
ACCELERATOR

1 GOVERNOR ASSEMBLY includes items 2 - 19

5 GOVERNOR BRACKET ASSEMBLY includes items 6 - 13



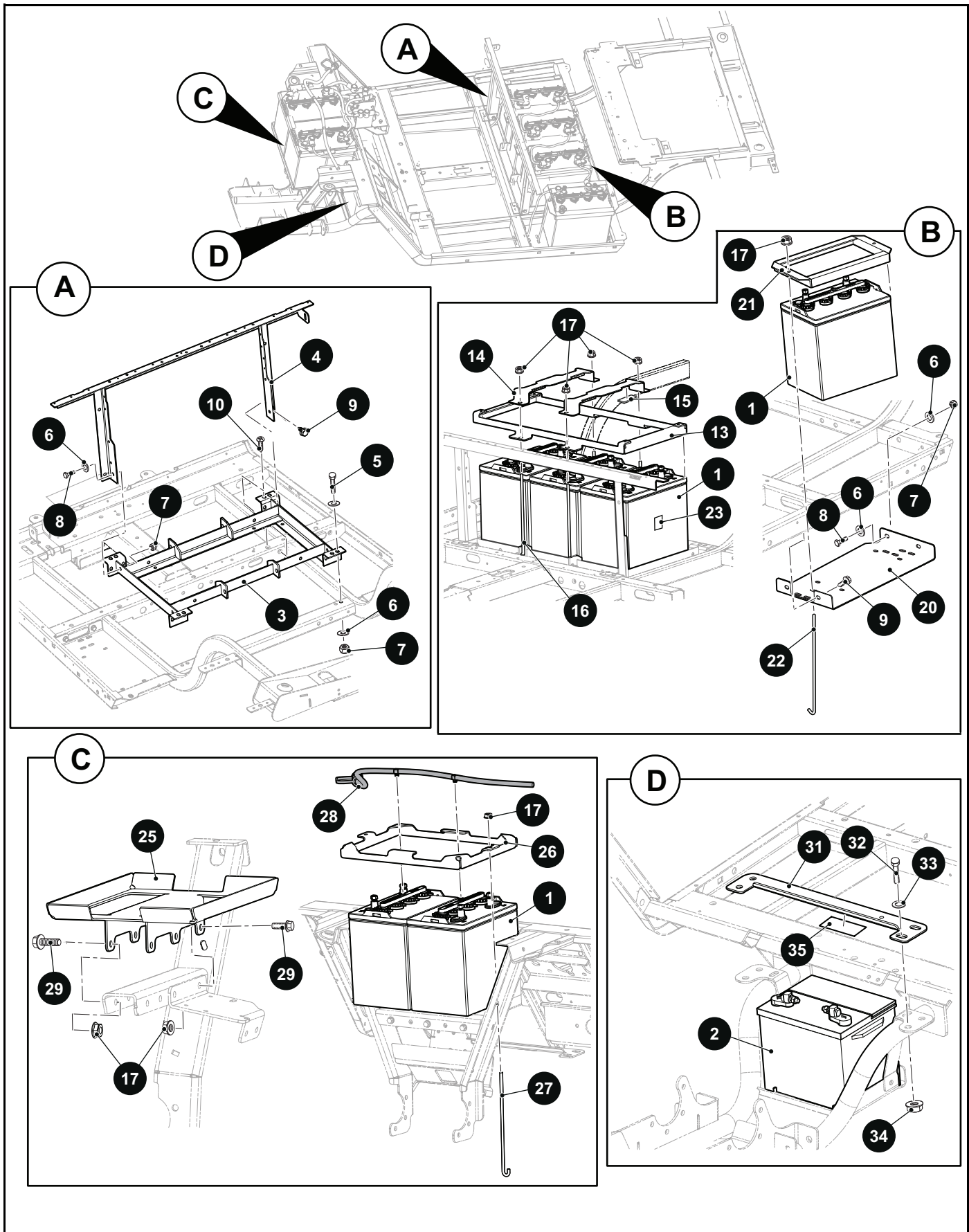
Front of Vehicle



THE USE OF NON U.L. PARTS WILL VOID ANY U.L. LISTING.
 When ordering parts, please specify the model and serial number of the product.
 * Indicates a component that is not available as an individual part.
 *** Indicates consult Customer Service Department for additional information.

ITEM	PART NO.	1 2 3 4 5	DESCRIPTION	QTY.
1	633162		GOVERNOR ASSEMBLY (INCLUDES ITEMS 2 - 19)	1
2	00734G5		LOCK NUT, #10 - 32.....	1
3	633425		GOVERNOR LEVER WELDMENT	1
4	15944G1		BALL JOINT	1
5	22751G5		GOVERNOR BRACKET ASSEMBLY (INCLUDES ITEMS 6 - 13).....	1
6	22754G1		BUSHING FLIP LOK, 0.25".....	1
7	25661G01		CUP WASHER, 0.84".....	2
8	25274G1		GOVERNOR ROD	1
9	22752G1		GOVERNOR BRACKET WELDMENT.....	1
10	635053		COMPRESSION SPRING	1
11	23859G1		GOVERNOR ADJUSTER	1
12	00734G5		HEX NUT, #10 - 32.....	1
13	22754G2		BUSHING FLIP LOK, 0.375".....	1
14				
15				
16	14390G4		LOCK NUT, 1/4" - 20	1
17	635194		GOVERNOR CABLE	1
18	71215G01		SET SCREW WITH PATCH LOCK, 1/4" - 20	2
19	01076G01		COTTER PIN.....	1
20				
21				
22	635011		GOVERNOR SPRING EXTENSION.....	1

BATTERY SYSTEM



BATTERY SYSTEM

THE USE OF NON U.L. PARTS WILL VOID ANY U.L. LISTING.

When ordering parts, please specify the model and serial number of the product.

* Indicates a component that is not available as an individual part.

*** Indicates consult Customer Service Department for additional information.

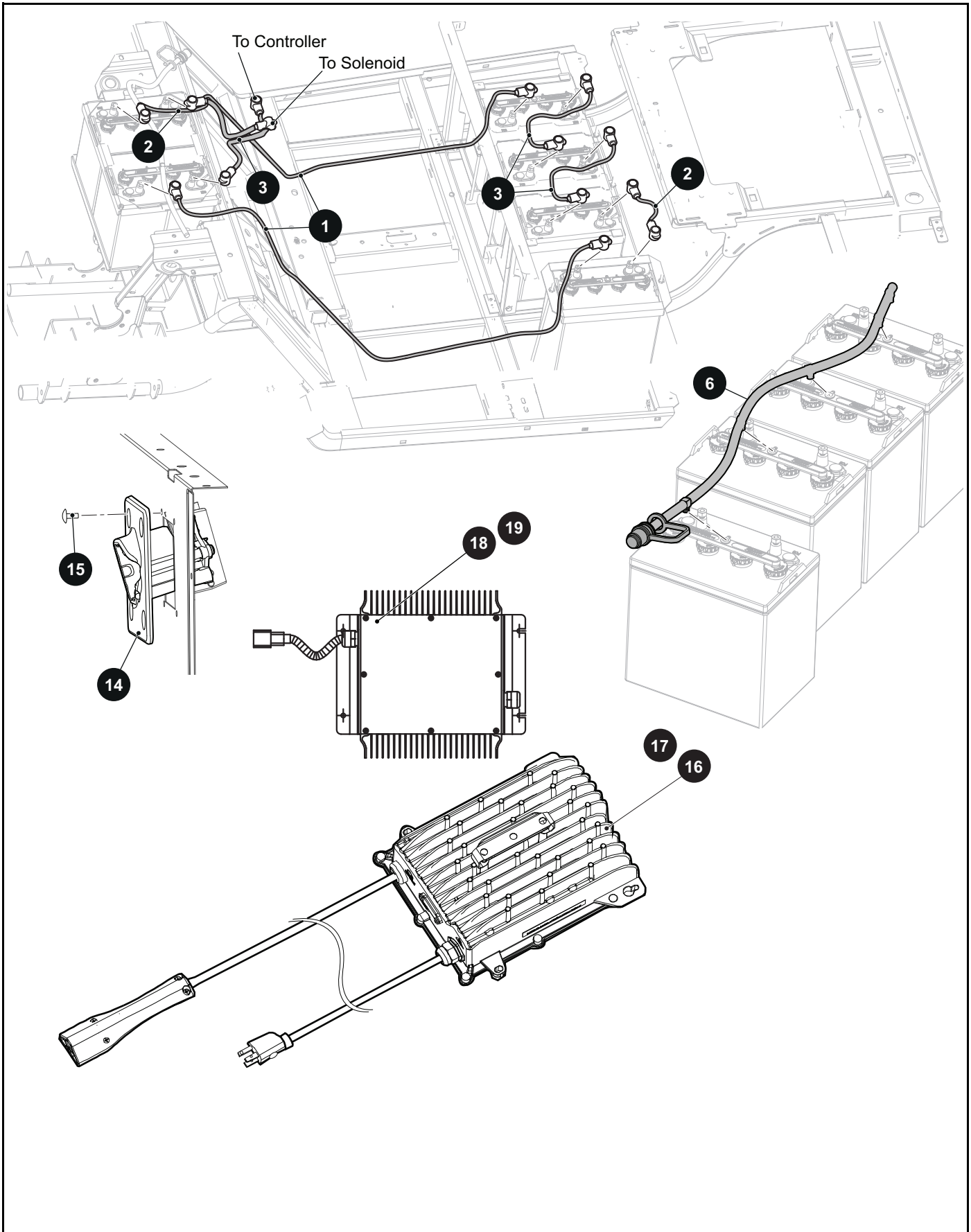
ITEM	PART NO.	1 2 3 4 5	DESCRIPTION	QTY.
1	641828		BATTERY, 8V	6
2	635993		STARTER BATTERY, 12V	1
3	632784		BATTERY RACK WELDMENT	1
4	632688		SEAT FRAME WELDMENT	1
5	00440G6		HEX HEAD BOLT, 5/16" - 18 X 2.75" LG	2
6	00559G8		FLAT WASHER, 5/16"	10
7	11098G6		LOCK NUT, 5/16" - 18	6
8	00438G8		HEX HEAD BOLT, 5/16" - 18 X 1" LG	4
9	00715G2		FLANGED HEX HEAD BOLT, 5/16" - 18 X .875" LG	4
10	70200G01		TRUSS HEAD MACHINE SCREW, 3/8 -16 X 1" LG	2
11				
12				
13	633190		BATTERY HOLD DOWN WELDMENT, 3 - 8V	1
14	633191		INNER BATTERY HOLD DOWN BRACKET, 3 - 8V	2
15	608513		RUBBER PAD	4
16	01101G01		TIE DOWN BOLT	4
17	11027G1		FLANGED LOCK NUT, 5/16" - 18	13
18				
19				
20	629688G01		BATTERY TRAY BRACKET (DRIVER SIDE)	1
21	616229		BATTERY HOLD DOWN WELDMENT, 1 - 8V	1
22	70386G01		TIE DOWN BOLT	2
23	35493G01		BATTERY DISPOSAL DECAL	7
24				
25	634672		BATTERY TRAY FRAME BRACKET	1
26	634673		FRONT BATTERY HOLD DOWN	1
27	604197		BATTERY HOOK BOLT	2
28	633636		FRONT BATTERY FILL SYSTEM	1
29	548604		FLANGED HEX HEAD BOLT, 5/16" - 18 X 3/4" LG	5
30				
31	634471		12V STARTER BATTERY TRAY TIEDOWN	1

BATTERY SYSTEM

THE USE OF NON U.L. PARTS WILL VOID ANY U.L. LISTING.
 When ordering parts, please specify the model and serial number of the product.
 * Indicates a component that is not available as an individual part.
 *** Indicates consult Customer Service Department for additional information.

ITEM	PART NO.	1 2 3 4 5	DESCRIPTION	QTY.
32	00426G8		HEX HEAD BOLT, 5/16" - 18 X 1" LG.....	2
33	00560G1		FLAT WASHER, 3/8"	2
34	12262G1		LOCK NUT, 5/16" - 18	2
35	608513		RUBBER PAD	2

BATTERY SYSTEM



BATTERY SYSTEM

THE USE OF NON U.L. PARTS WILL VOID ANY U.L. LISTING.

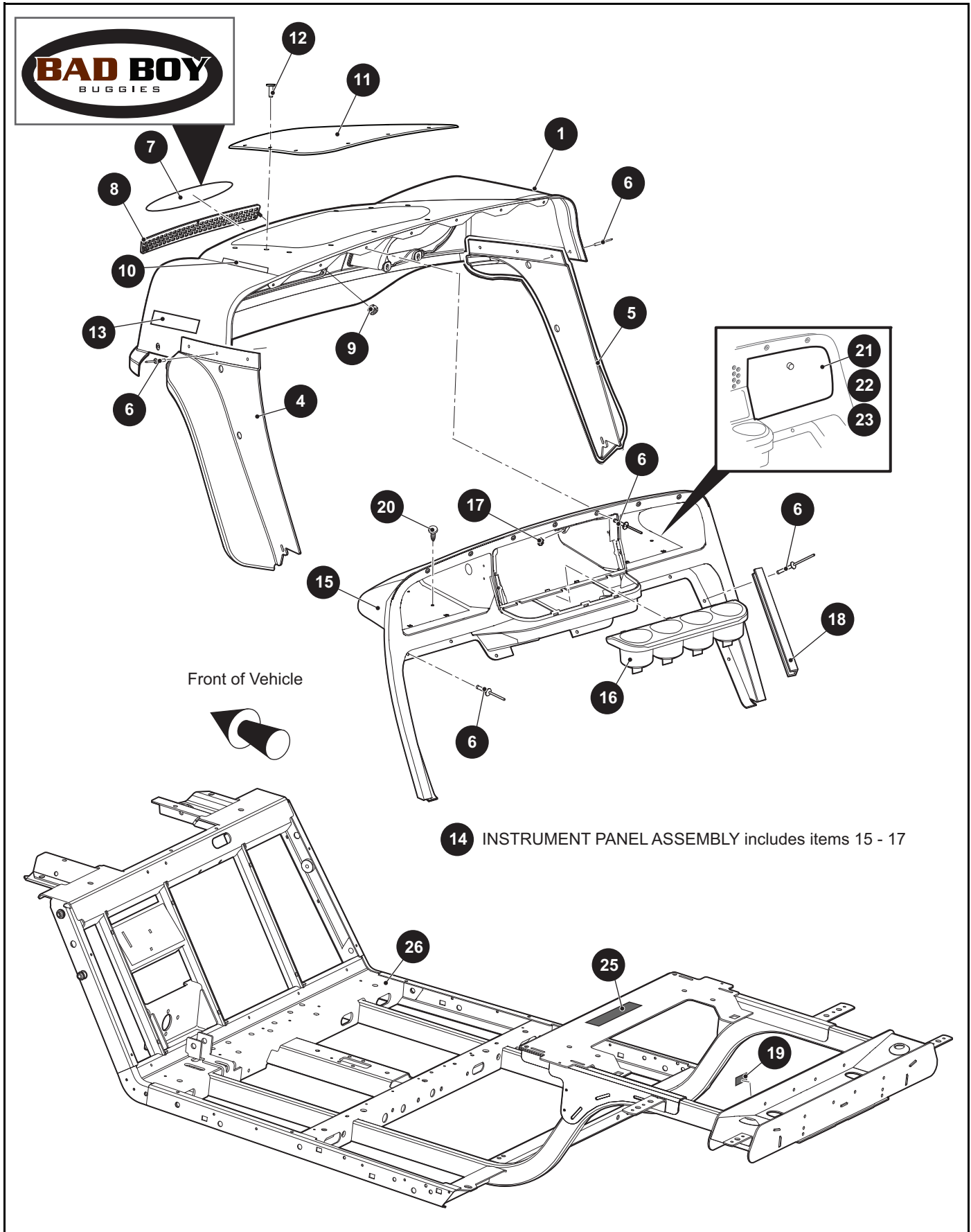
When ordering parts, please specify the model and serial number of the product.

* Indicates a component that is not available as an individual part.

*** Indicates consult Customer Service Department for additional information.

ITEM	PART NO.	1 2 3 4 5	DESCRIPTION	QTY.
1	634715		WIRE, 2AWG, 71" LG.....	2
2	634718		WIRE, 2AWG, 10" LG.....	2
3	634717		WIRE, 2AWG, 16" LG.....	3
4				
5				
6	635702		REAR BATTERY FILL SYSTEM.....	1
7				
8				
9				
10				
11				
12				
13				
14	613304		CHARGER RECEPTACLE, 48V	1
15	14601G10		RIVET (ALUMINUM), 5/32".....	4
16	635671		CHARGER, 48V, 3 METER CORD	1
17	635672		CHARGER, 48V 5.5 METER CORD.....	1
18	622666		WORLD CHARGER, 48V, 3 METER CORD	1
19	623013		WORLD CHARGER, 48V, 5.5 METER CORD	1

BODY - FRONT



BODY - FRONT

THE USE OF NON U.L. PARTS WILL VOID ANY U.L. LISTING.

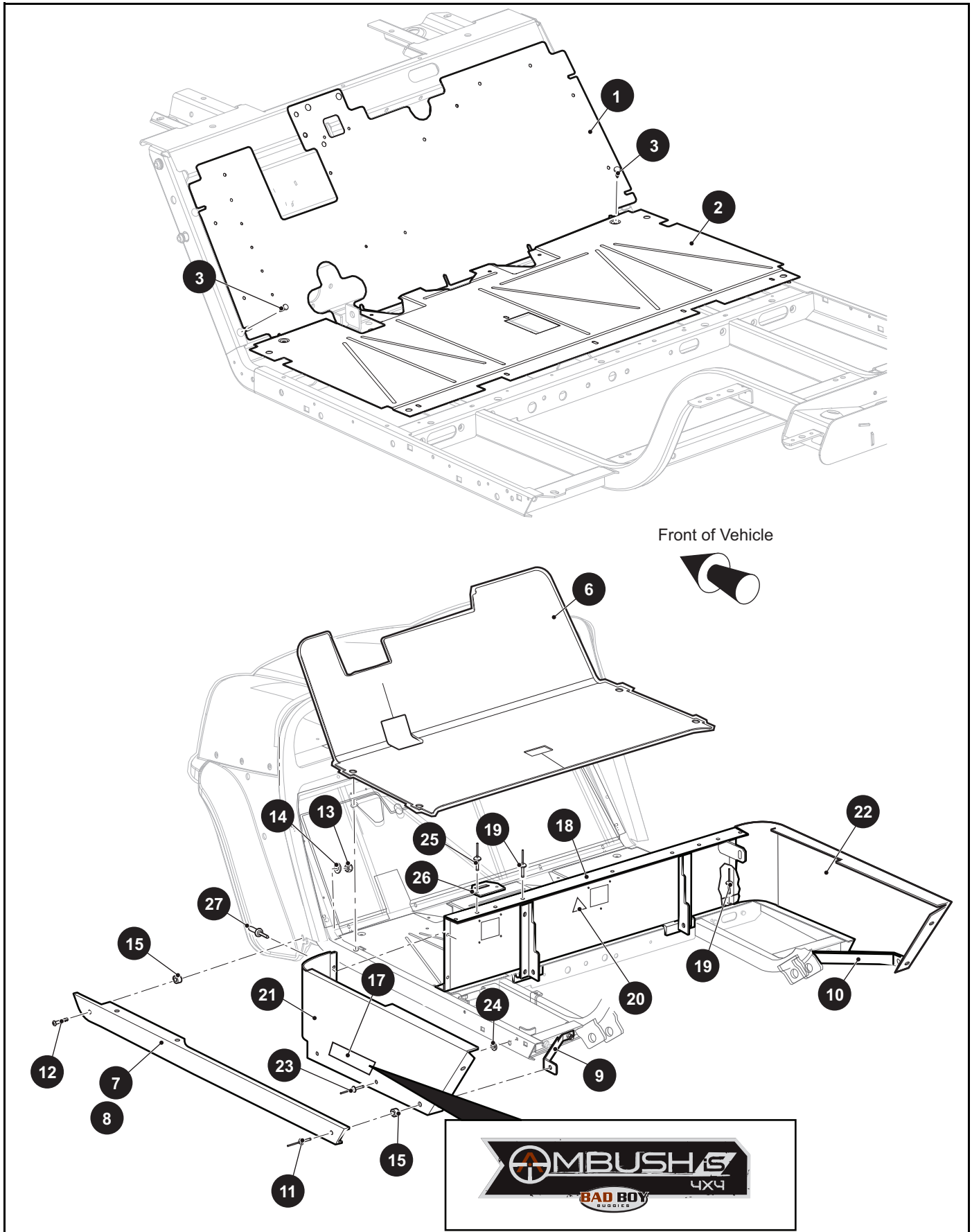
When ordering parts, please specify the model and serial number of the product.

* Indicates a component that is not available as an individual part.

*** Indicates consult Customer Service Department for additional information.

ITEM	PART NO.	1 2 3 4 5	DESCRIPTION	QTY.
1	613036G2XX		COWL (See COLOR CODE in HOW TO USE Section of Manual).....	1
2				
3				
4	626685		FRONT FENDER FLARE (DRIVER SIDE)	1
5	626905		FRONT FENDER FLARE (PASSENGER SIDE)	1
6	71055G01		RIVET, 3/16" X 1" LG	20
7	626663		BBB COWL DECAL	1
8	617643		COWL GRILL COVER	1
9	71597G01		SELF THREADING NUT, 5MM X 10MM.....	2
10	630285		BBB COWL STRIP DECAL.....	2
11	633268GXX		ACCESS COVER (See COLOR CODE in HOW TO USE Section of Manual)	1
12	617533		PUSH RIVET.....	9
13	634363		SIDE COWL AMBUSH IS DECAL	2
14	633298		INSTRUMENT PANEL ASSEMBLY (INCLUDES ITEMS 15 - 17)	1
15	633297		INSTRUMENT PANEL LARGE CUT OUT	1
16	71158G01		CUP INSERT	1
17	71364G02		J TYPE SPEED NUT, #8	5
18	71115G01		TRIM	2
19	75696G01		HOT EXHAUST DECAL.....	1
20	16816G2		RATCHET FASTENER, 1/4" X .887" LG.....	4
21	75459G01		GLOVE BOX DOORS (BOTH SIDES).....	1
22	75459G02		GLOVE BOX DOOR (DRIVER SIDE).....	1
23	75456G03		GLOVE BOX DOOR (PASSENGER SIDE)	1
24				
25	74093G01		ENGINE WARNING DECAL	1
26	631494		FRAME WELDMENT	1
27	635043		BBB DIE CUT DECAL (NOT ILLUSTRATED)	1

BODY - MID

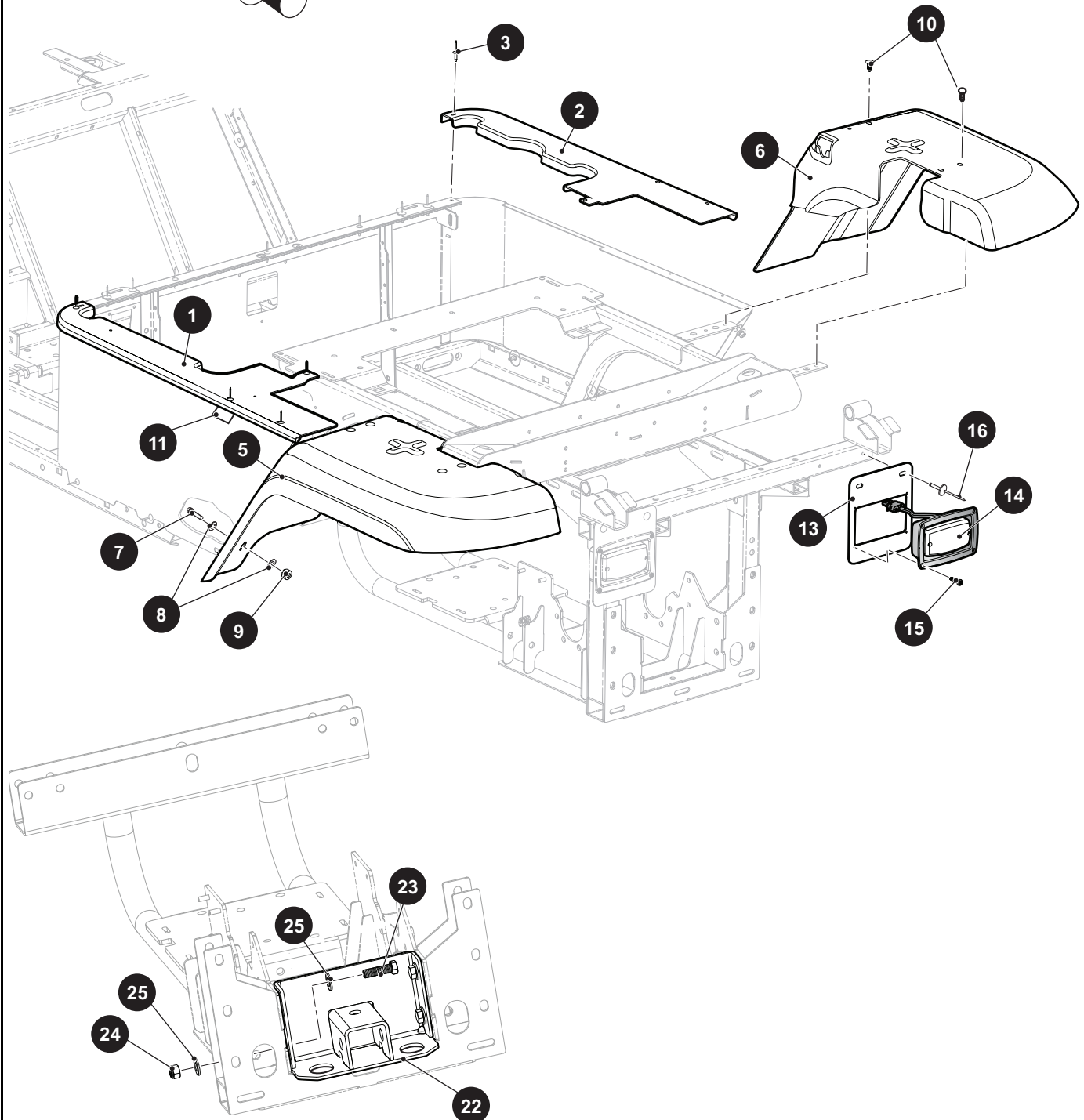


THE USE OF NON U.L. PARTS WILL VOID ANY U.L. LISTING.
 When ordering parts, please specify the model and serial number of the product.
 * Indicates a component that is not available as an individual part.
 *** Indicates consult Customer Service Department for additional information.

ITEM	PART NO.	1 2 3 4 5	DESCRIPTION	QTY.
1	632345		UPPER FLOOR PANEL.....	1
2	70451G03		LOWER FLOOR PANEL.....	1
3	14601G11		RIVET, 3/16" X 9/16" LG.....	14
4				
5				
6	632254		FLOOR MAT, DIAMOND PLATE.....	1
7	618886		ROCKER PANEL (DRIVER SIDE).....	1
8	618885		ROCKER PANEL (PASSENGER SIDE).....	1
9	71440G03		PANEL BRACE (DRIVER SIDE).....	1
10	71440G04		PANEL BRACE (PASSENGER SIDE).....	1
11	15058G6		RIVET (ALUMINUM), .625".....	2
12	00789G2		PHILLIPS HEAD SCREW, #10 - 24 X 1 1/4" LG.....	2
13	14390G10		LOCK NUT, #10 - 24.....	2
14	00660G5		FLAT WASHER (SS), #10.....	2
15	23726G4		SPACER.....	4
16				
17	634954		SIDE AMBUSH iS DECAL.....	2
18	633160GXX		SEAT WRAP W/CHARGER RECEPTACLE (See COLOR CODE in HOW TO USE Section).....	1
19	10570G10		RIVET, 5/32" X 9/16" LG.....	8
20	71415G01		ELECTRIC SHOCK WARNING DECAL.....	1
21	609168G1XX		SIDE PANEL (DRIVER SIDE) (See COLOR CODE in HOW TO USE Section)	1
22	609168G2XX		SIDE PANEL (PASSENGER SIDE) (See COLOR CODE in HOW TO USE Section).....	1
23	10570G12		RIVET, 1/4" X 9/16" LG.....	4
24	16469G1		FENDER WASHER, 1/4".....	4
25	10570G11		RIVET, 3/16" X .70" LG.....	4
26	71609G01		SEAT HINGE PLATE.....	2
27	71055G01		RIVET, 3/16".....	4

Body Trim Installation for 2 Passenger Vehicle

Front of Vehicle



BODY - REAR

THE USE OF NON U.L. PARTS WILL VOID ANY U.L. LISTING.

When ordering parts, please specify the model and serial number of the product.

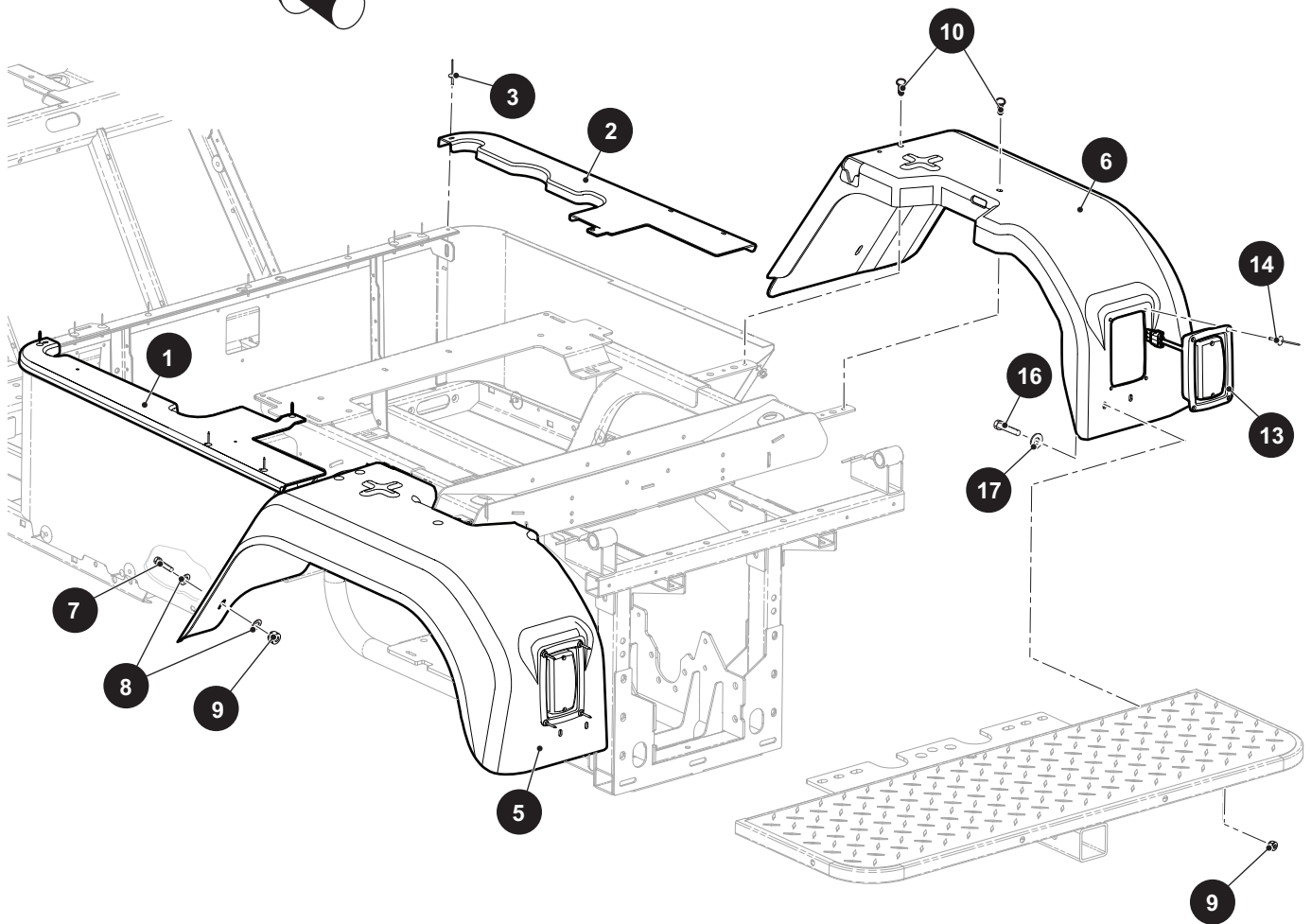
* Indicates a component that is not available as an individual part.

*** Indicates consult Customer Service Department for additional information.

ITEM	PART NO.	1 2 3 4 5	DESCRIPTION	QTY.
1	635690		SEAT FILLER PANEL (DRIVER SIDE)	1
2	635691		SEAT FILLER PANEL (PASSENGER SIDE)	1
3	10570G10		RIVET, 5/32" X 9/16" LG	8
4				
5	633104		REAR FENDER, 2 PASS (DRIVER SIDE).....	1
6	633125		REAR FENDER, 2 PASS (PASSENGER SIDE)	1
7	00414G6		HEX HEAD BOLT, 1/4" - 20 X 3/4" LG	4
8	00642G07		FLAT WASHER, 1/4"	8
9	14390G4		LOCK NUT, 1/4" - 20	4
10	16816G2		RATCHET FASTENER, 1/4" X .887" LG.....	8
11	74099G01		WARNING BED LATCH DECAL	2
12				
13	633286		TAILLIGHT BRACKET	2
14	629148		TAILLIGHT	2
15	616678		TORX HEAD SCREW, #8 - 32 X 3/4" LG	8
16	01057G01		RIVET (ALUMINUM), .625"	4
17				
18				
19				
20				
21				
22	633446		HITCH RECEIVER.....	1
23	00463G4		HEX HEAD BOLT, 7/16" - 14 X 1.5" LG	4
24	00734G1		LOCK NUT, 7/16" - 14	4
25	00922G3		FLAT WASHER, 7/16"	8

Body Trim Installation for 4 Passenger Vehicle

Front of Vehicle



BODY - REAR

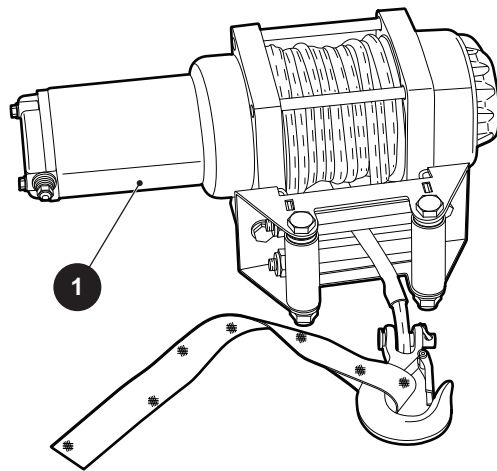
THE USE OF NON U.L. PARTS WILL VOID ANY U.L. LISTING.

When ordering parts, please specify the model and serial number of the product.

* Indicates a component that is not available as an individual part.

*** Indicates consult Customer Service Department for additional information.

ITEM	PART NO.	1 2 3 4 5	DESCRIPTION	QTY.
1	635690		SEAT FILLER PANEL (DRIVER SIDE).....	1
2	635691		SEAT FILLER PANEL (PASSENGER SIDE)	1
3	10570G10		RIVET, 5/32" X 9/16" LG	8
4				
5	633072		REAR FENDER, 4 PASS (DRIVER SIDE)	1
6	633285		REAR FENDER, 4 PASS (PASSENGER SIDE).....	1
7	00414G6		HEX HEAD BOLT, 1/4" - 20 X 3/4" LG	4
8	00642G07		FLAT WASHER, 1/4"	8
9	14390G4		LOCK NUT, 1/4" - 20.....	8
10	16816G2		RATCHET FASTENER, 1/4" X .887" LG	6
11				
12				
13	629148		TAILLIGHT	2
14	71055G01		RIVET, 3/16"	8
15				
16	303459		HEX HEAD BOLT, 1/4" - 20 X 1 1/2" LG	4
17	01110G01		FLAT WASHER, 1/4"	4



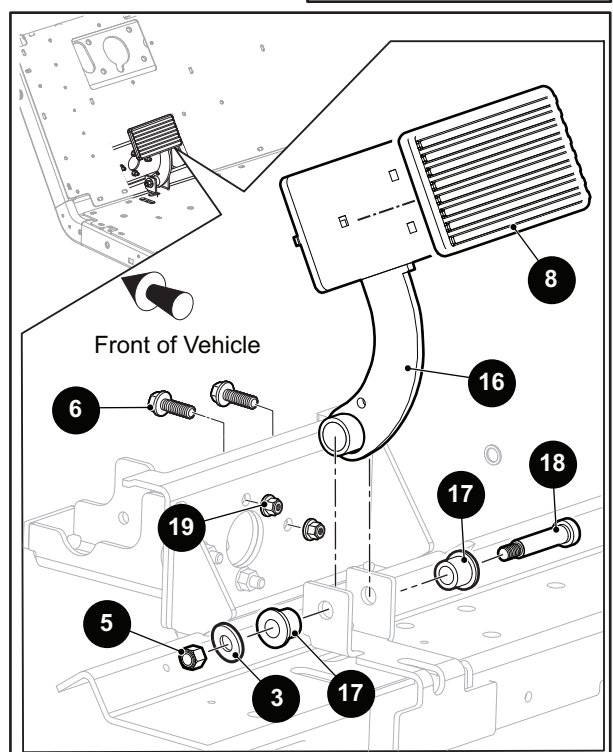
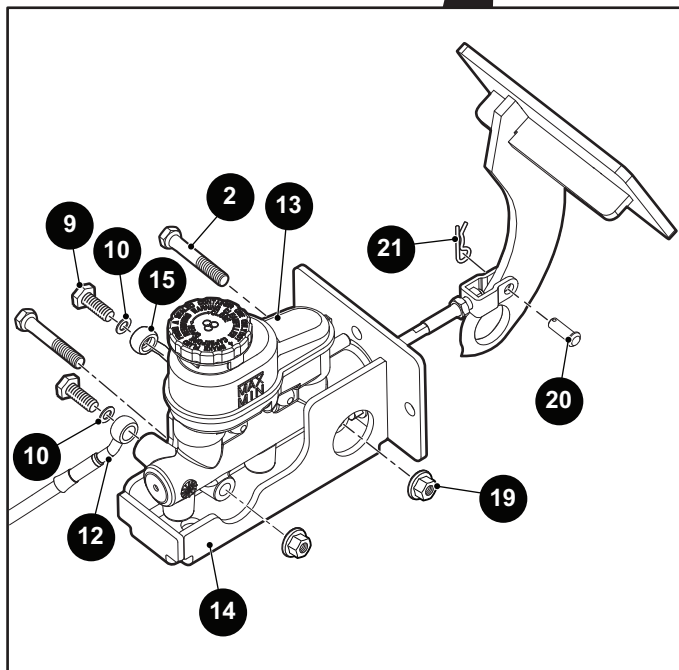
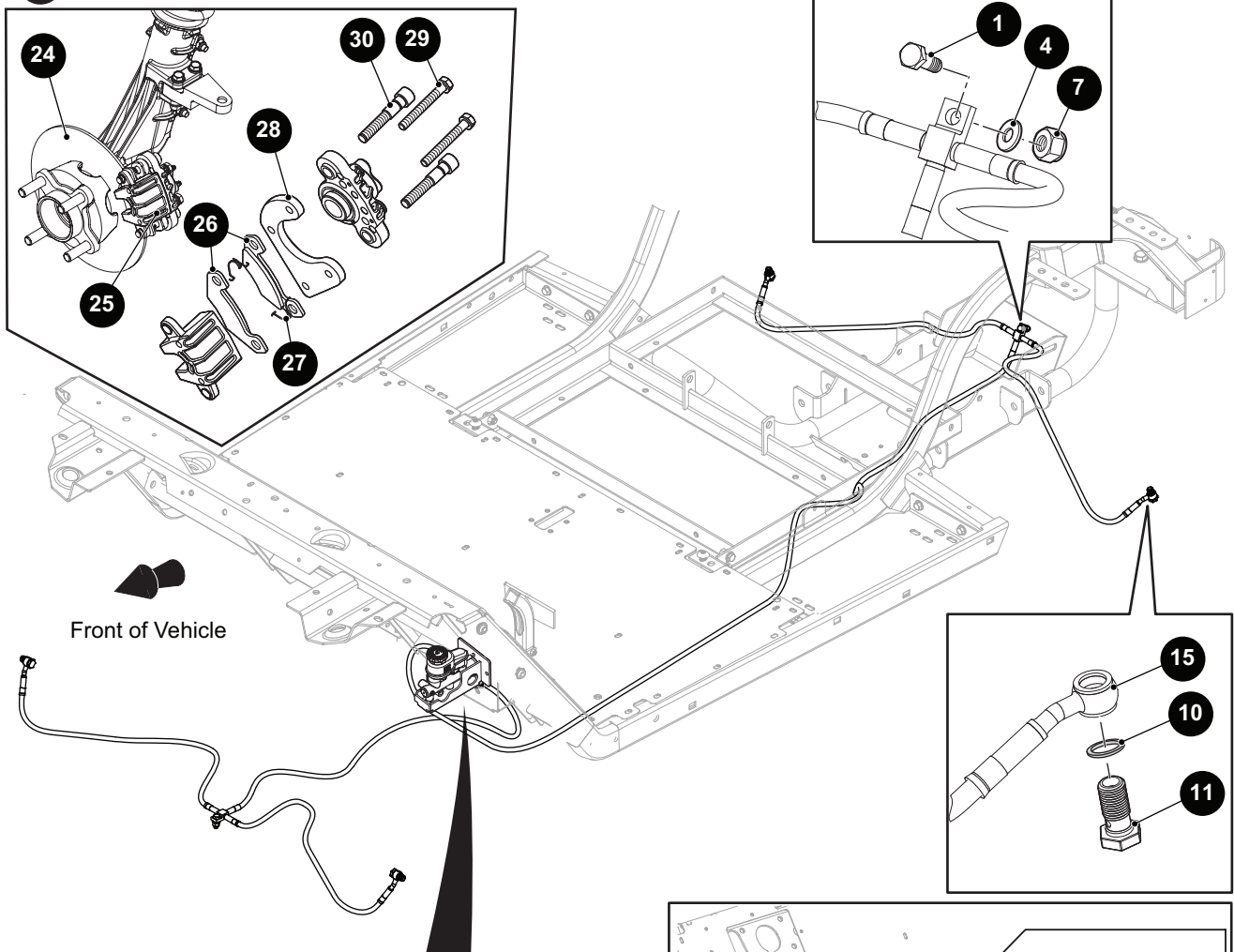
BODY - ACCESSORIES

THE USE OF NON U.L. PARTS WILL VOID ANY U.L. LISTING.
 When ordering parts, please specify the model and serial number of the product.
 * Indicates a component that is not available as an individual part.
 *** Indicates consult Customer Service Department for additional information.

ITEM	PART NO.	1 2 3 4 5 DESCRIPTION	QTY.
1	633488	WINCH, 3000	1
2	633509	WINCH 3000 CABLE KIT (NOT ILLUSTRATED)	1

BRAKES

23 DISC BRAKE ASSEMBLY includes items 24 - 30



BRAKES

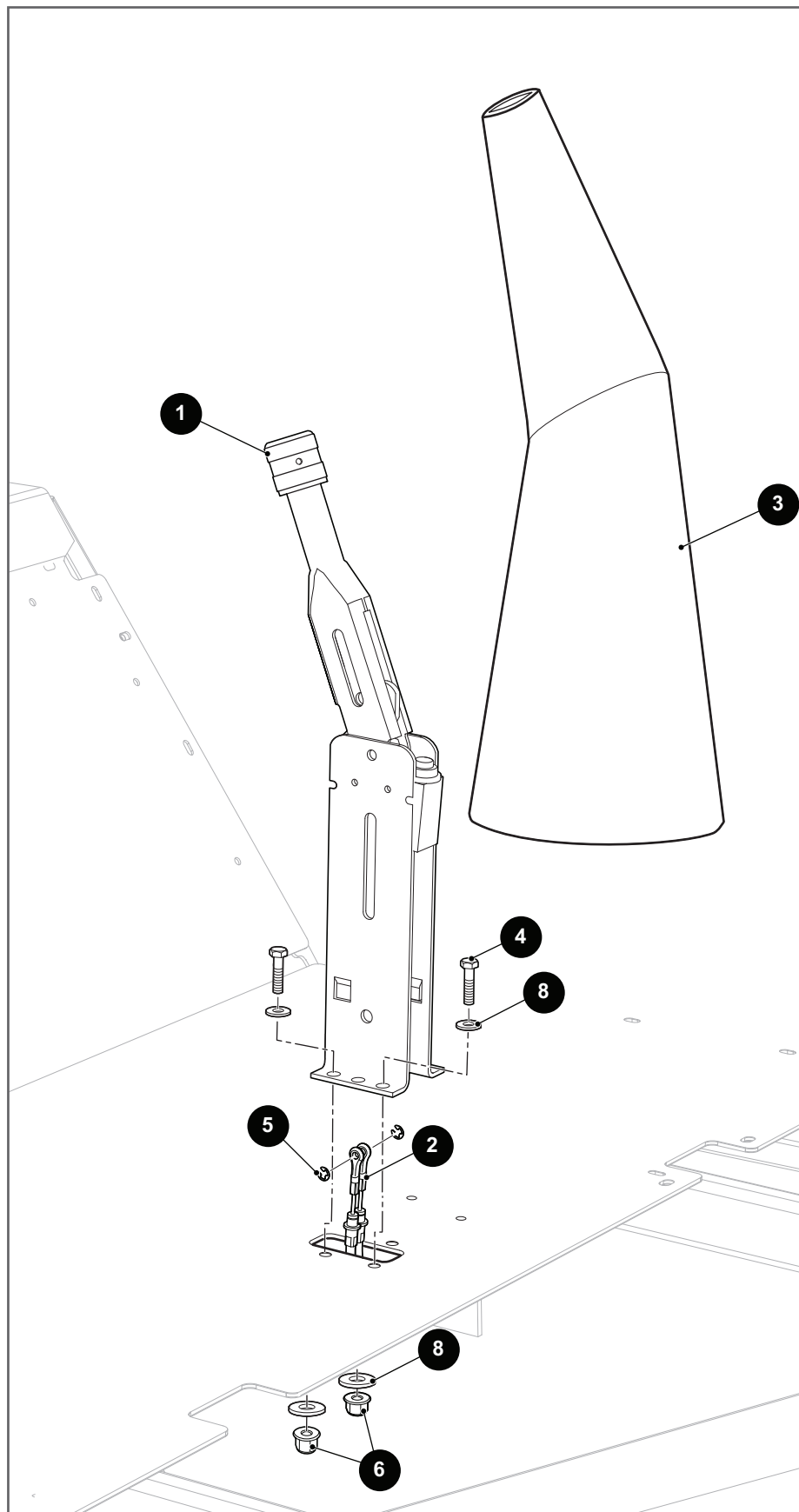
THE USE OF NON U.L. PARTS WILL VOID ANY U.L. LISTING.

When ordering parts, please specify the model and serial number of the product.

* Indicates a component that is not available as an individual part.

*** Indicates consult Customer Service Department for additional information.

ITEM	PART NO.	1 2 3 4 5	DESCRIPTION	QTY.
1	00414G6		HEX HEAD BOLT, 1/4" - 20 X 7/8" LG	2
2	00439G8		HEX HEAD BOLT, 5/16" - 18 X 1 1/18" LG	2
3	00643G1		FLAT WASHER, 3/8"	1
4	01110G01		FLAT WASHER, 1/4"	2
5	11098G5		LOCK NUT, 3/8" - 16	1
6	13437G3		FLANGED BOLT, 5/16" - 18 X 1" LG	4
7	14390G4		LOCK WASHER, 1/4" - 20	2
8	610471		BRAKE PEDAL COVER	1
9	613292		BANJO BOLT, M10 - 1.25 X 20MM LG	2
10	613293		CRUSH WASHER, M10	6
11	616459		BANJO BOLT, M10 - 1 X 20MM LG	4
12	626613		FRONT BRAKE LINE	1
13	631593		DUAL MASTER CYLINDER	1
14	631616		DUAL MASTER CYLINDER BRACKET	1
15	616455		REAR BRAKE LINE	1
16	637808		BRAKE PEDAL WELDMENT	1
17	70581G02		BUSHING	2
18	635177		SHOULDER BOLT, 3/8" - 16 X 2" LG	1
19	800697		LOCK NUT, 5/16" - 18	6
20	10386G2		CLEVIS PIN	1
21	01076G01		COTTER PIN	1
22				
23	*		DISC BRAKE ASSEMBLY (INCLUDES ITEMS 24 - 30)	1
24	*		DISC BRAKE ROTOR HUB	1
25	*		BRAKE CALIPERS	1
26	616450		BRAKE PADS	2
27	*		ANTI RATTLE SPRING	2
28	*		MOUNTING BRACKET	1
29	*		CALIPER BOLTS	2
30	*		SLIDER PINS	2

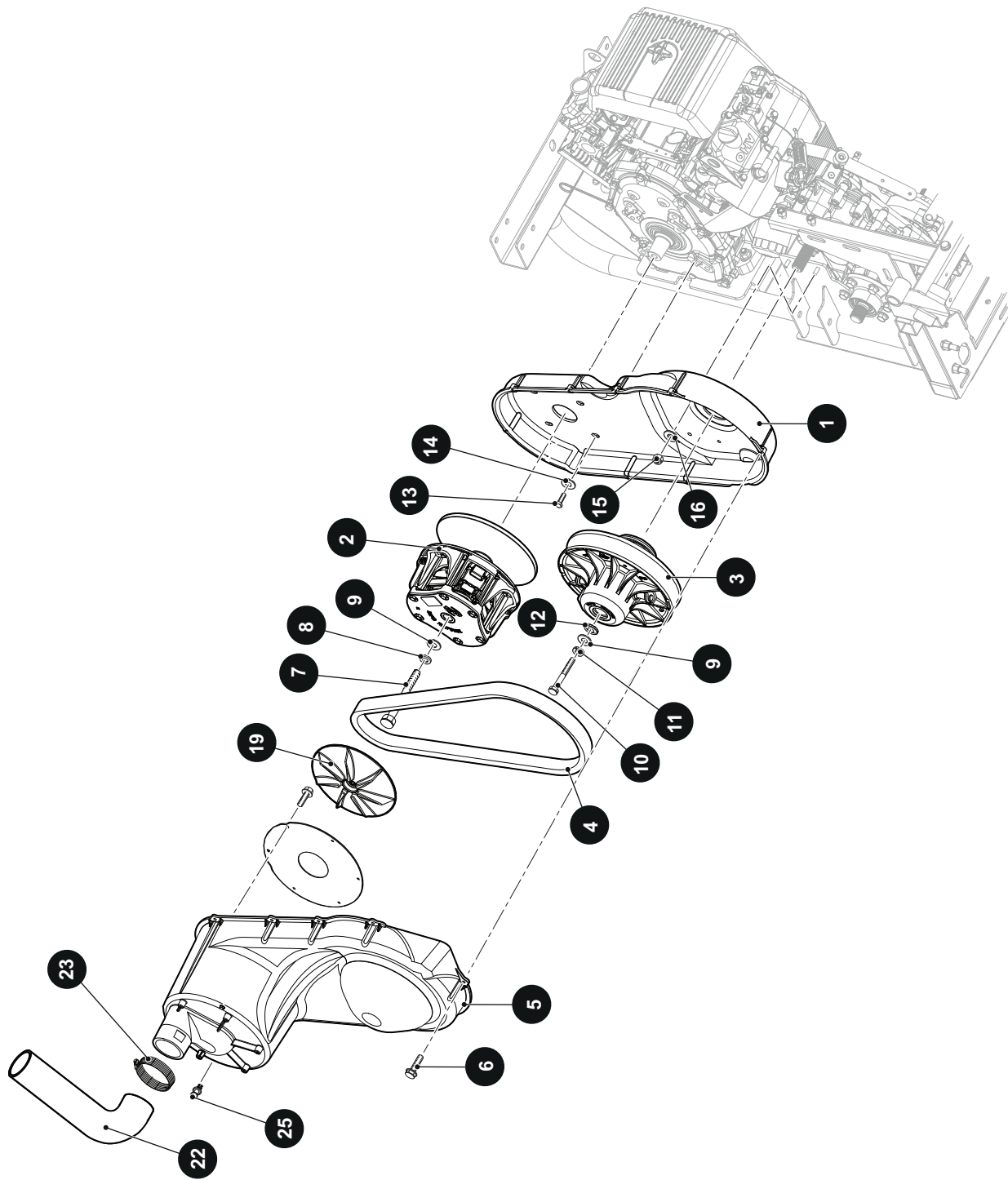


BRAKES

THE USE OF NON U.L. PARTS WILL VOID ANY U.L. LISTING.
 When ordering parts, please specify the model and serial number of the product.
 * Indicates a component that is not available as an individual part.
 *** Indicates consult Customer Service Department for additional information.

ITEM	PART NO.	1 2 3 4 5	DESCRIPTION	QTY.
1	627393		PARK BRAKE	1
2	633039		PARKING BRAKE CABLE	2
3	627940		PARKING BRAKE BOOT.....	1
4	302288		HEX HEAD CAP SCREW, 1/4" - 20 X 1" LG	4
5	01111G01		RETAINING RING.....	2
6	14390G4		LOCK NUT, 1/4" - 20.....	4
7	31539G1		NYLON CLAMP (NOT ILLUSTRATED).....	7
8	01110G01		FLAT WASHER, 1/4"	8

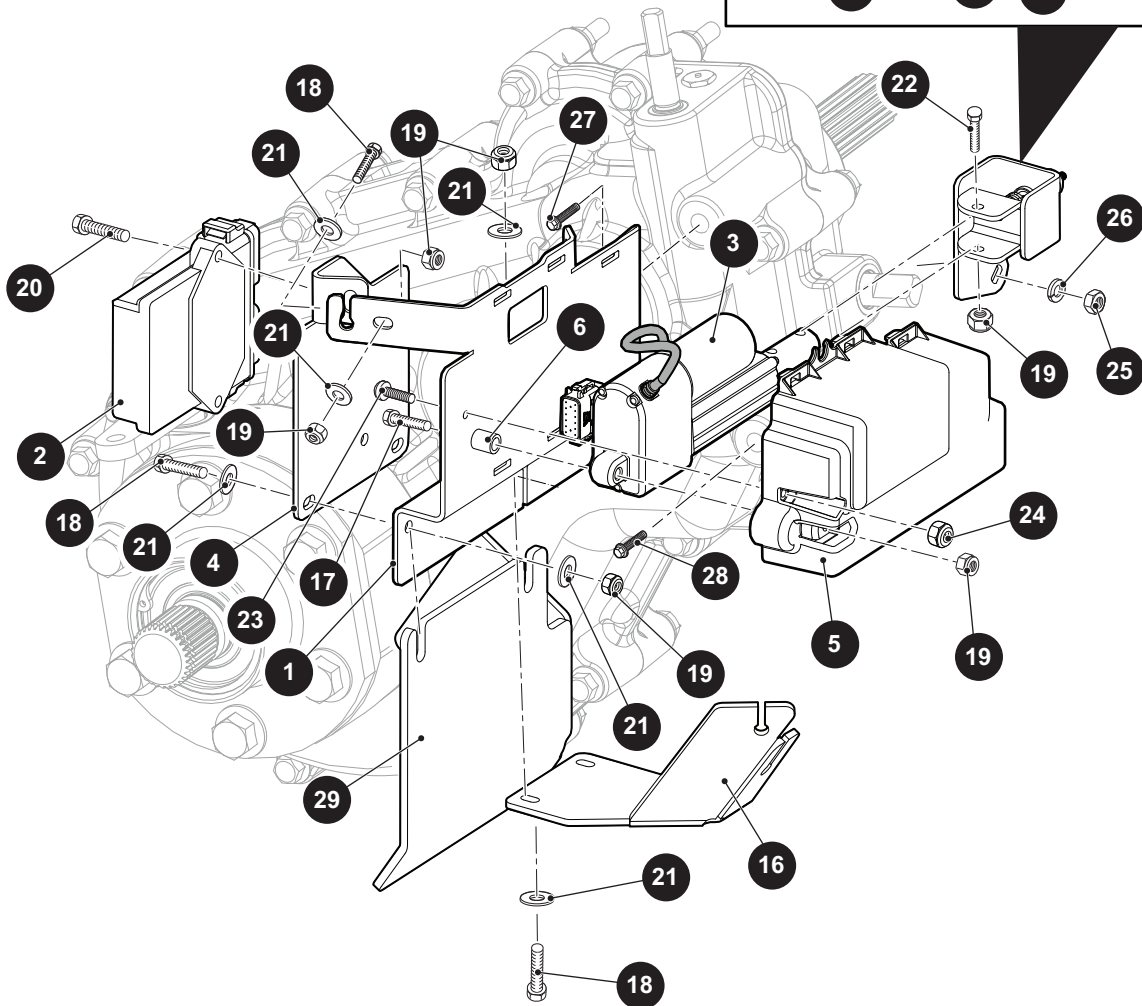
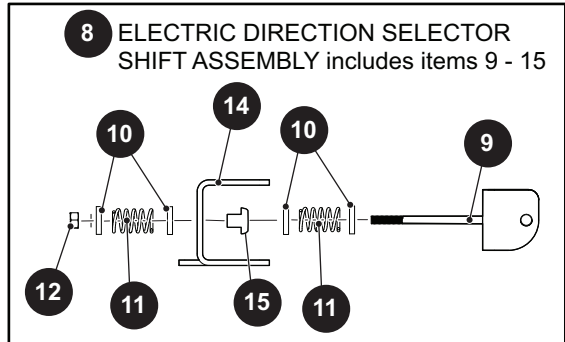
CLUTCH



THE USE OF NON U.L. PARTS WILL VOID ANY U.L. LISTING.
 When ordering parts, please specify the model and serial number of the product.
 * Indicates a component that is not available as an individual part.
 *** Indicates consult Customer Service Department for additional information.

ITEM	PART NO.	1 2 3 4 5	DESCRIPTION	QTY.
1	636513		CLUTCH BACK COVER.....	1
2	632612		PRIMARY CLUTCH.....	1
3	632613		SECONDARY CLUTCH.....	1
4	631808		CVT BELT.....	1
5	636512		CLUTCH FRONT COVER.....	1
6	635530		FLANGED HEX HEAD BOLT, #10 - 32 X 11/16" LG.....	8
7	629495		HEX HEAD BOLT, 7/16" - 20 X 7" LG.....	1
8	00566G2		SPRING LOCK WASHER, 7/16".....	1
9	606239		FLAT WASHER, M12.....	2
10	629496		HEX HEAD BOLT, 5/16" - 18 X 4.5" LG.....	1
11	00565G8		LOCK WASHER, # 5/16.....	1
12	606230		CLUTCH WASHER, 13.06MM.....	1
13	00426G8		HEX HEAD BOLT, 3/8" - 16 X 1" LG.....	4
14	306981		FLAT WASHER, 0.41".....	4
15	14390G4		LOCK NUT, 1/4" - 20.....	2
16	00559G7		FLAT WASHER, 1/4".....	2
17				
18				
19	635022		PRIMARY COOLING FAN.....	1
20				
21				
22	633594		CLUTCH COVER INTAKE TUBE.....	1
23	11391G2		HOSE CLAMP, 2.06".....	1
24				
25	633165		CLUTCH COVER DRAIN PLUG, 0.43" DIA.....	1

DIRECTION SELECTOR

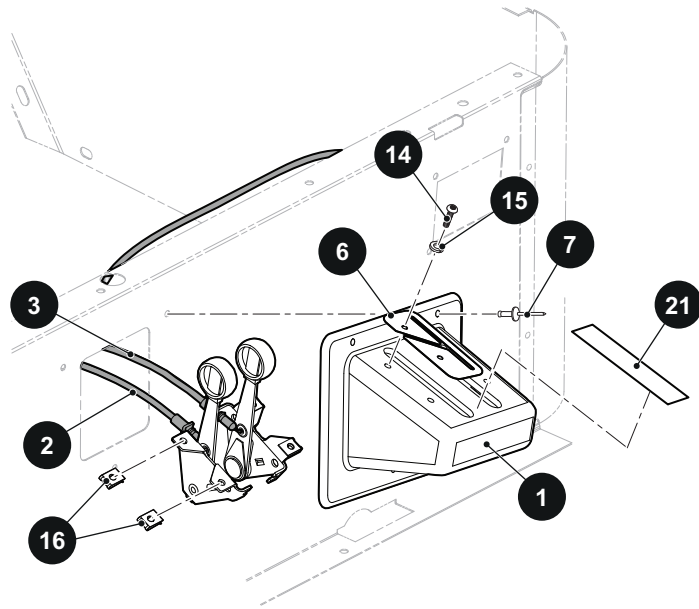


DIRECTION SELECTOR

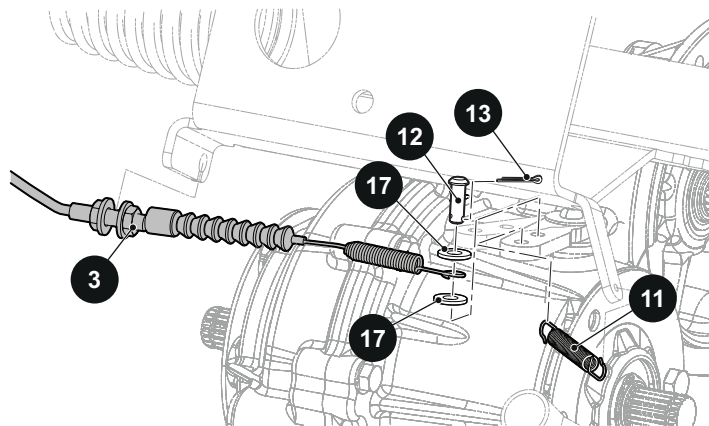
THE USE OF NON U.L. PARTS WILL VOID ANY U.L. LISTING.
 When ordering parts, please specify the model and serial number of the product.
 * Indicates a component that is not available as an individual part.
 *** Indicates consult Customer Service Department for additional information.

ITEM	PART NO.	1 2 3 4 5	DESCRIPTION	QTY.
1	635196		DIRECTION SELECTOR MOUNTING BRACKET	1
2	632212		TRANSMISSION CONTROL MODULE	1
3	633577		ACTUATOR, 24V	1
4	635390		TCM MOUNTING BRACKET	1
5	630336		ACTUATOR COVER (PLASTIC)	1
6	630362		SPACER, .5"	1
7				
8	636076		ELECTRIC DIRECTION SELECTOR SHIFT ASSEMBLY (INCLUDES ITEMS 9 - 15)	1
9	633258		DIRECTION SELECTOR CLEVIS ROD WELDMENT	1
10	25727G01		CUP WASHER	4
11	636045		COMPRESSION SPRING	2
12	00734G5		LOCK NUT, #10 - 32	1
13	633009		NEUTRAL BRACKET WITH BUSHING ASSEMBLY (INCLUDES ITEMS 14 & 15)	1
14	635341		DIRECTION SELECTOR ACTUATION BRACKET	1
15	22754G5		FLIP - LOCK BUSHING, .250"	1
16	635389		THROTTLE CABLE BRACKET	1
17	630419		HEX HEAD BOLT, 1/4" - 20 X 3" LG	1
18	00414G7		HEX HEAD BOLT, 1/4" - 20 X 0.88" LG	5
19	14390G4		LOCK NUT, 1/4" - 20	9
20	00415G2		HEX HEAD BOLT, 1/4" - 20 X 1.25" LG	2
21	00559G7		FLAT WASHER, 1/4"	10
22	00415G6		HEX HEAD BOLT, 1/4" - 20 X 1.75" LG	1
23	800299		SCREW, #10 - 24 X 1" LG	1
24	14390G10		LOCK NUT, #10 - 24	1
25	01069G02		JAM NUT, M12 X 1.25	1
26	00566G3		LOCK WASHER, 1/2"	1
27	635794		HEX HEAD FLANGED BOLT, 3/8" - 16 X 1" LG	1
28	635795		HEX HEAD FLANGED BOLT, 3/8" - 16 X 3/4" LG	1
29	635942		DIRECTION SELECTOR SUPPORT BRACKET	1

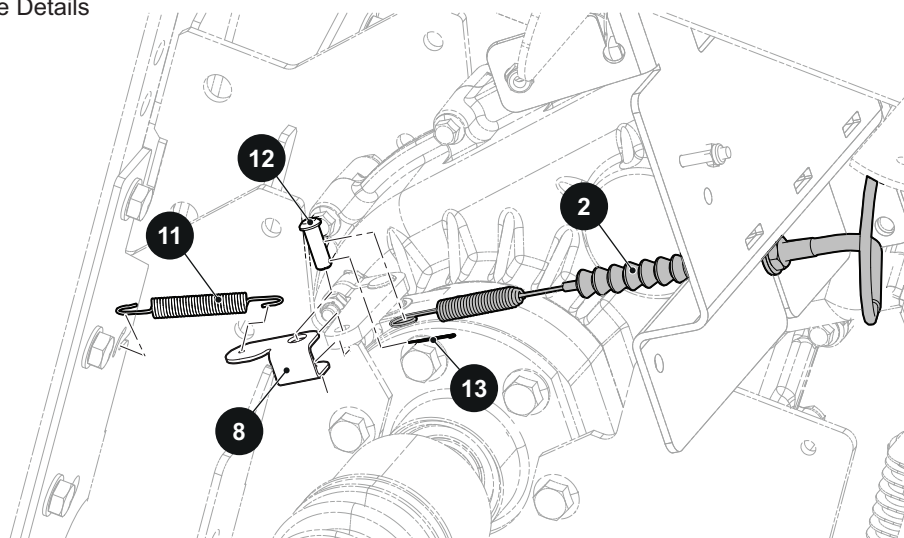
DIFFERENTIAL LOCK



Front Cable Details



Rear Cable Details



DIFFERENTIAL LOCK

THE USE OF NON U.L. PARTS WILL VOID ANY U.L. LISTING.

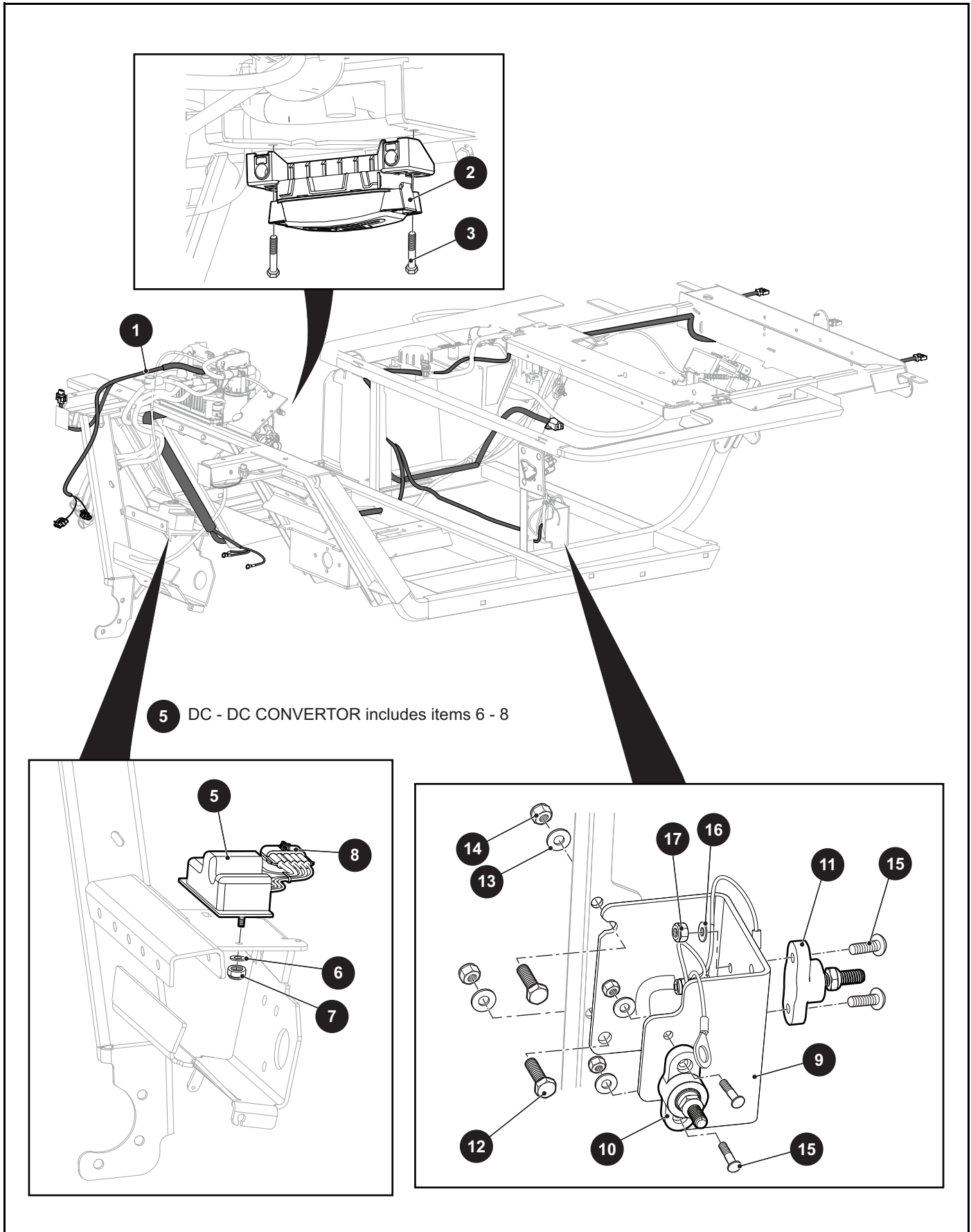
When ordering parts, please specify the model and serial number of the product.

* Indicates a component that is not available as an individual part.

*** Indicates consult Customer Service Department for additional information.

ITEM	PART NO.	1 2 3 4 5	DESCRIPTION	QTY.
1	632886		DIFFERENTIAL LOCK POD	1
2	633163		REAR DIFFERENTIAL LOCK CABLE	1
3	633164		FRONT DIFFERENTIAL LOCK CABLE	1
4				
5				
6	75697G01		DIFFERENTIAL LOCK TRIM PLATE	2
7	71055G01		RIVET, 3/16" DIA.....	3
8	633536		DIFFERENTIAL LOCKING CLEVIS.....	1
9				
10				
11	25738G01		GOVERNOR EXTENSION SPRING.....	2
12	10386G2		CLEVIS PIN, 0.25"	2
13	10387G8		COTTER PIN, 0.62" X 0.75"	2
14	18464G1		SELF TAPPING SCREW, #8 -18 X 1" LG.....	4
15	00565G4		LOCK WASHER, #8.....	4
16	71003G03		SPEED NUT, #8.....	4
17	01110G01		FLAT WASHER, 1/4"	2
18				
19				
20	31539G1		NYLON CLAMP (NOT ILLUSTRATED)	3
21	633615		DIFFERENTIAL LOCK DECAL	1

ELECTRICAL SYSTEM



ELECTRICAL SYSTEM

THE USE OF NON U.L. PARTS WILL VOID ANY U.L. LISTING.

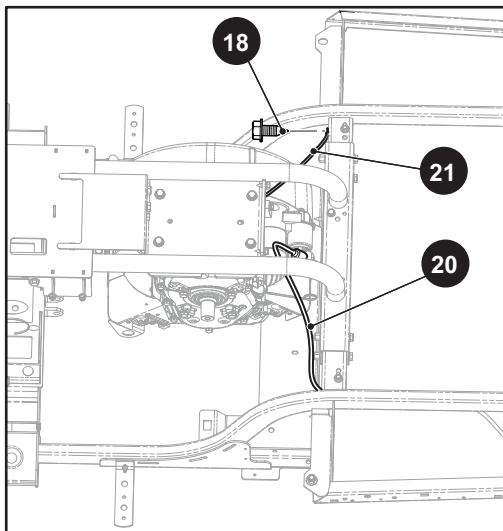
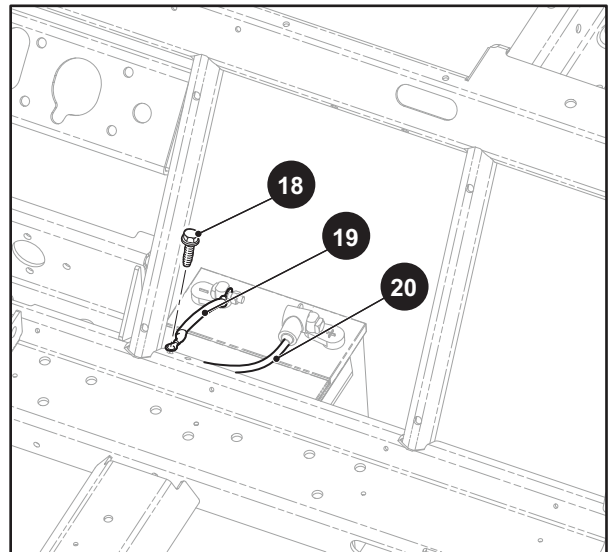
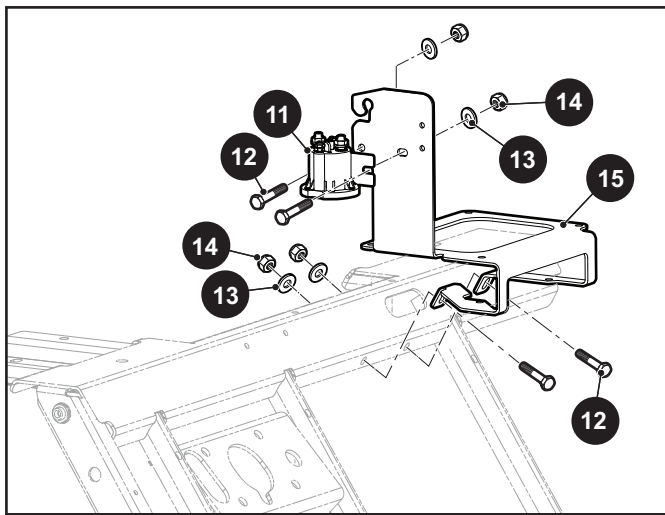
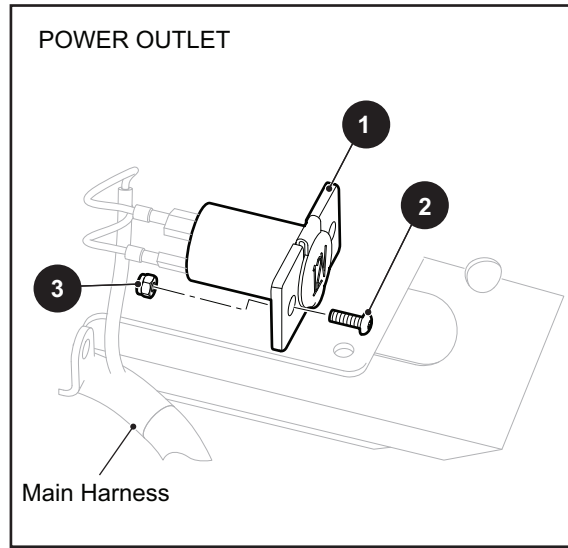
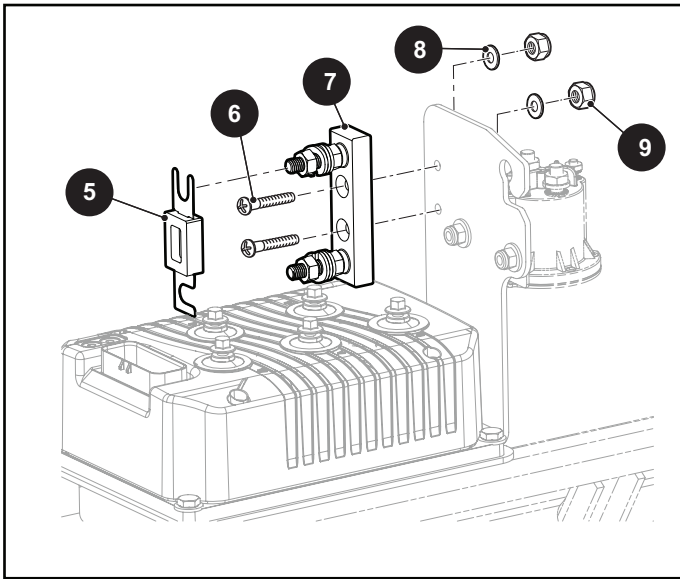
When ordering parts, please specify the model and serial number of the product.

* Indicates a component that is not available as an individual part.

*** Indicates consult Customer Service Department for additional information.

ITEM	PART NO.	1 2 3 4 5	DESCRIPTION	QTY.
1	632232		MAIN HARNESS.....	1
2	632738		FUSE BOX.....	1
3	12547G4		HEX HEAD CAP SCREW, M6 - 1 X 30MM LG.....	2
4				
5	632683		DC - DC CONVERTOR (INCLUDES ITEMS 6 - 8).....	1
6	*		FLAT WASHER	2
7	*		HEX NUT.....	2
8	*		CONNECTOR.....	1
9	632866		TERMINAL BRACKET	1
10	633235G01		JUNCTION BLOCK, STUD (BLK), 5/16"	1
11	633235G02		JUNCTION BLOCK, STUD (RED), 5/16"	1
12	00414G6		HEX HEAD CAP SCREW, 1/4" - 20 X 3/4" LG	2
13	01110G01		FLAT WASHER, 1/4".....	2
14	14390G4		LOCK NUT, 1/4" - 20.....	2
15	306527		PAN HEAD SCREW, #10 - 24 X 3/4" LG	4
16	00660G5		FLAT WASHER, #10	4
17	14390G10		LOCK NUT, #10 - 24	4
18	31539G1		NYLON CLAMP (NOT ILLUSTRATED)	20

ELECTRICAL SYSTEM



ELECTRICAL SYSTEM

THE USE OF NON U.L. PARTS WILL VOID ANY U.L. LISTING.

When ordering parts, please specify the model and serial number of the product.

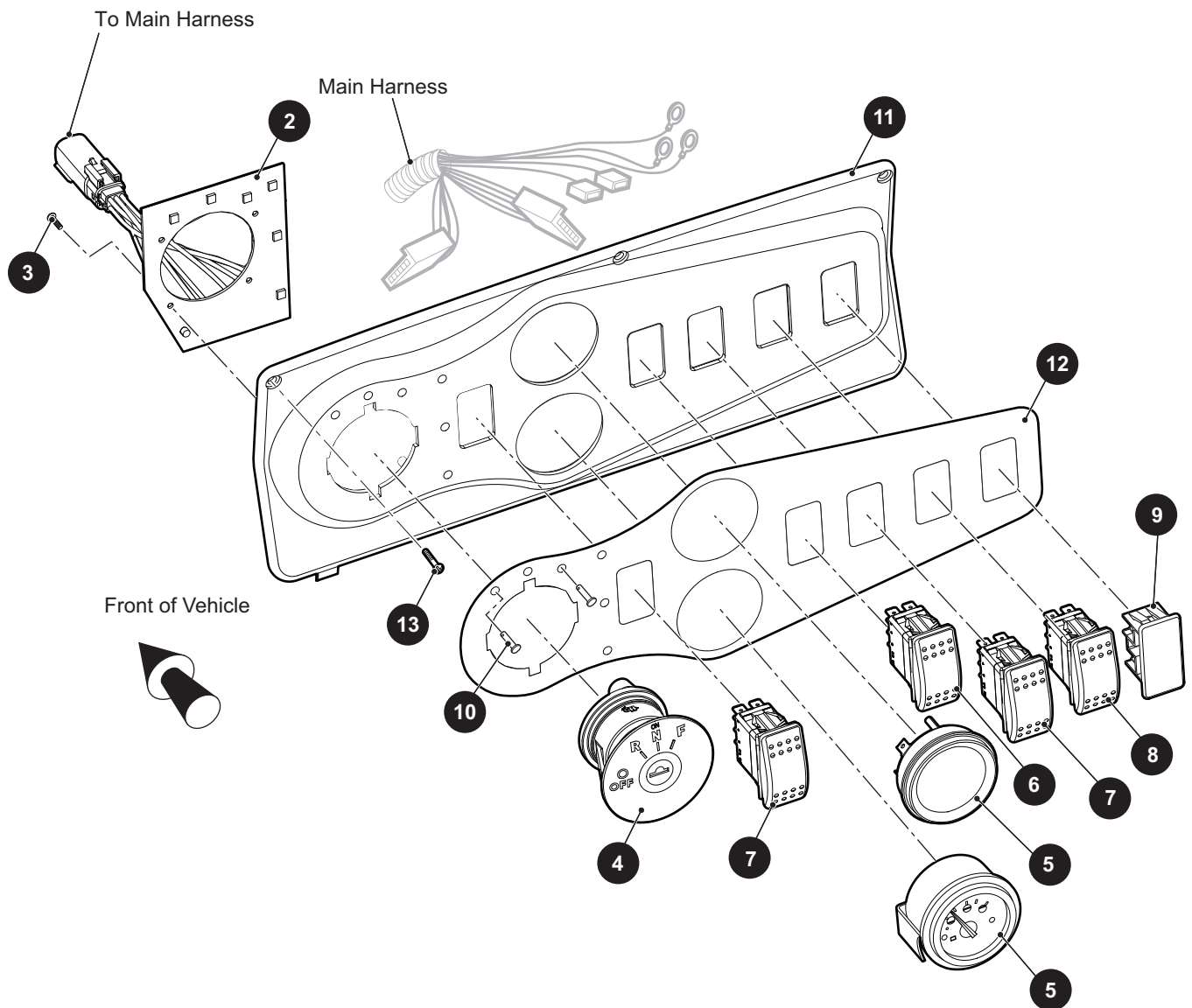
* Indicates a component that is not available as an individual part.

*** Indicates consult Customer Service Department for additional information.

ITEM	PART NO.	1 2 3 4 5	DESCRIPTION	QTY.
1	71078G01		POWER OUTLET, 12V	1
2	600543		BUTTON HEAD TORX SCREW, M4 - 0.75 X 12MM LG	2
3	602053		LOCK NUT, M4 - 0.7	2
4				
5	626864		FUSE.....	1
6	00379G2		PAN HEAD PHILLIPS SCREW, #10 - 24 X 1 1/4" LG	2
7	628113		FUSE HOLDER.....	1
8	00559G5		FLAT WASHER, #5	2
9	14390G10		LOCK NUT, #10 - 24	2
10				
11	612711		SOLENOID, 48V	1
12	00661G8		HEX HEAD CAP SCREW (SS), 1/4" - 20 X 1" LG	4
13	01110G01		FLAT WASHER, 1/4"	4
14	14390G4		LOCK NUT, #10 - 20	4
15	632676		POWER ELECTRONICS BRACKET	1
16				
17				
18	00715G2		FLANGED HEX HEAD BOLT, 5/16" - 18 X 4/5" LG	2
19	25971G18		4AWG WIRE ASSEMBLY	1
20	626870		6AWG STARTER WIRE ASSEMBLY, 80"	1
21	635601		6AWG WIRE ASSEMBLY, 18"	1

ELECTRICAL SYSTEM

1 CONTROL PANEL ASSEMBLY includes items 2 - 12



ELECTRICAL SYSTEM

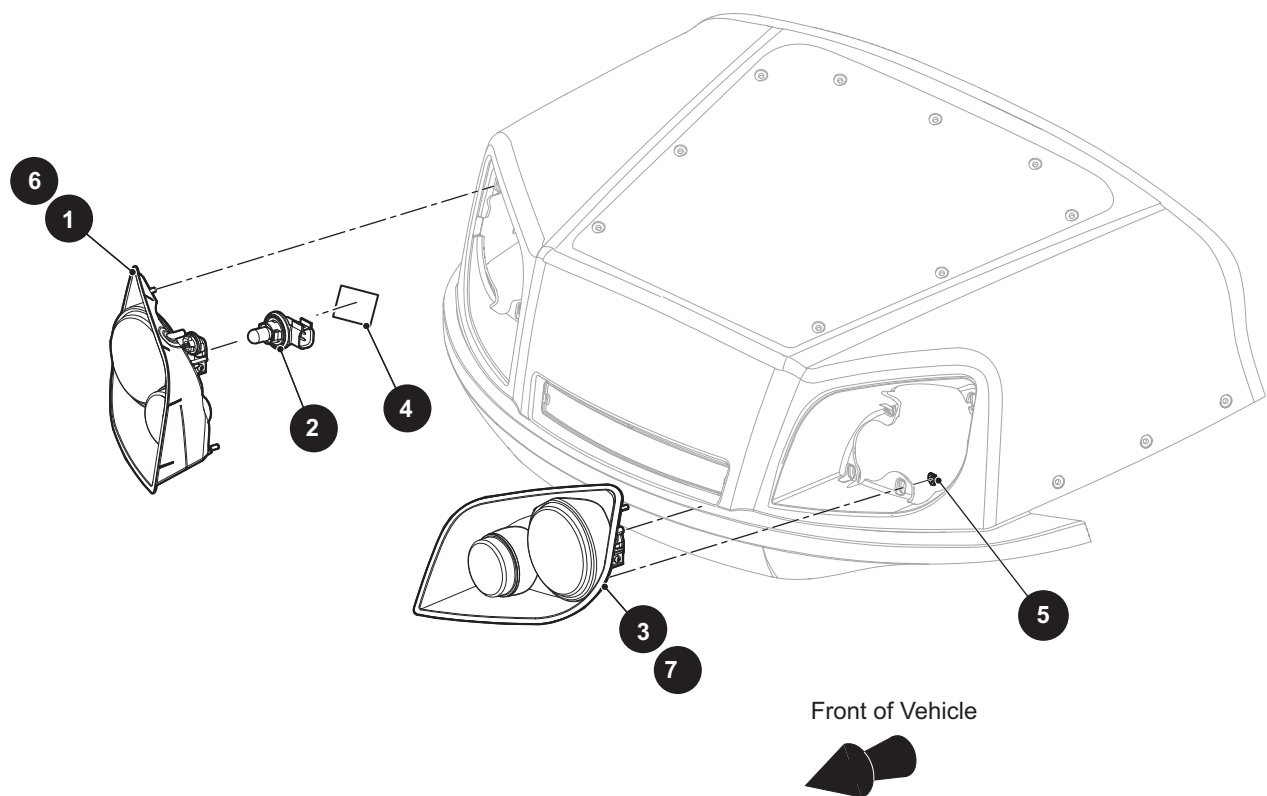
THE USE OF NON U.L. PARTS WILL VOID ANY U.L. LISTING.

When ordering parts, please specify the model and serial number of the product.

* Indicates a component that is not available as an individual part.

*** Indicates consult Customer Service Department for additional information.

ITEM	PART NO.	1 2 3 4 5	DESCRIPTION	QTY.
1	628708G03		CONTROL PANEL ASSEMBLY (INCLUDES ITEMS 2 - 12)	1
2	632268		LED LIGHT INDICATOR.....	1
3	627699		PAN HEAD PHILLIPS SCREW, #4 - 24 X 3/8" LG	4
4	609692		KEY SWITCH SET	1
5	631656		FUEL AND SOC METER	2
6	626659		ENGINE START SWITCH	1
7	626658		SWITCH	2
8	628931		HEADLAMP SWITCH.....	1
9	627035		PLUG PANEL	1
10	633416		PIPE, 5MM	6
11	626655G03		CONTROL PANEL.....	1
12	632678		IP PANEL LABEL	1
13	608290		SELF TAPPING SCREW, #10 - 16 X 3/4" LG	3



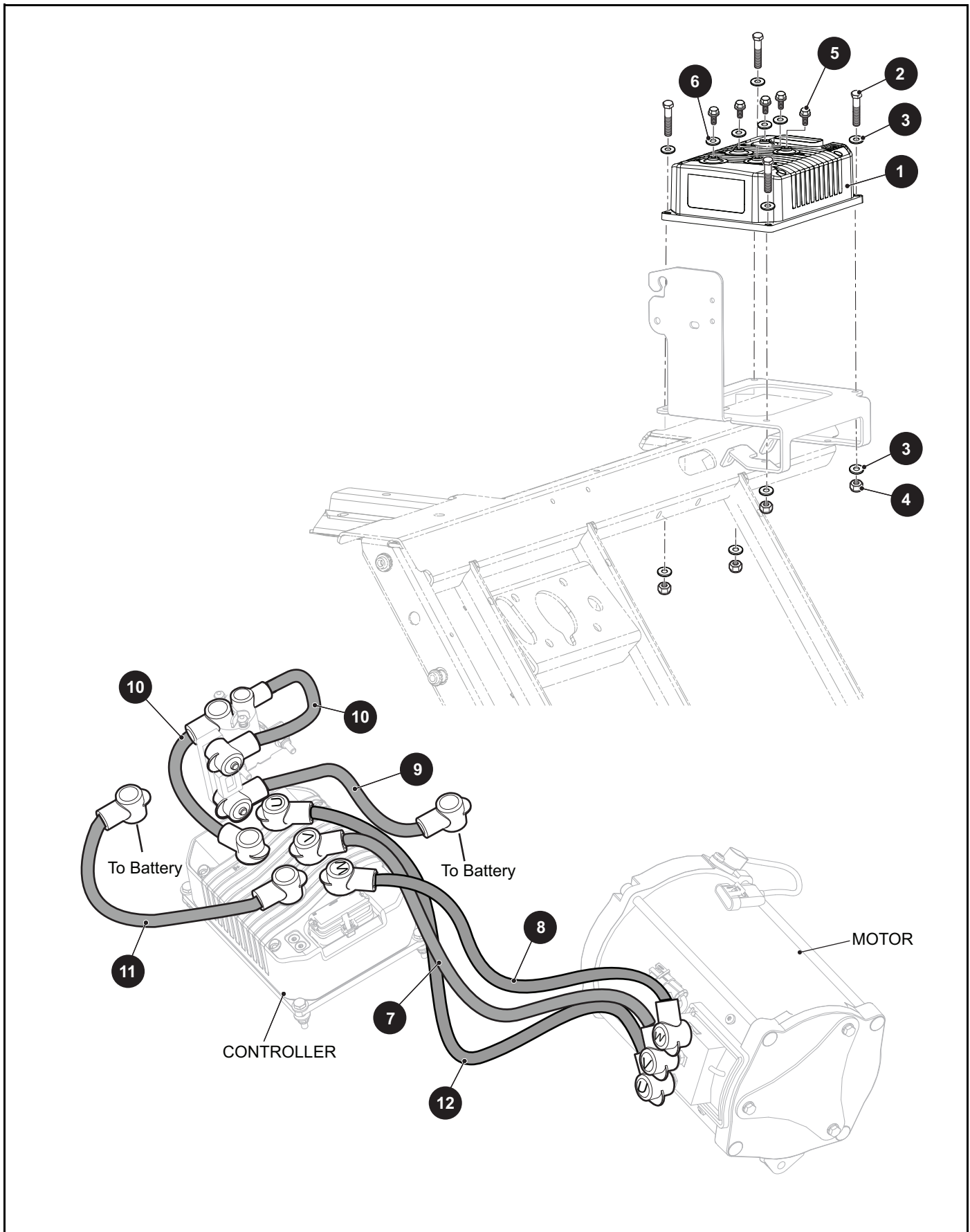
- 1** HEADLIGHT (PASSENGER SIDE) includes item 2
- 3** HEADLIGHT (DRIVER SIDE) includes item 2

ELECTRICAL SYSTEM

THE USE OF NON U.L. PARTS WILL VOID ANY U.L. LISTING.
 When ordering parts, please specify the model and serial number of the product.
 * Indicates a component that is not available as an individual part.
 *** Indicates consult Customer Service Department for additional information.

ITEM	PART NO.	1 2 3 4 5	DESCRIPTION	QTY.
1	614497		HEADLIGHT (PASSENGER SIDE) (INCLUDES ITEM 2)	1
2	619100		SERVICE BULB KIT, HALOGEN.....	1
3	614501		HEADLIGHT (DRIVER SIDE) (INCLUDES ITEM 2)	1
4	71781G02		VINYL TAPE.....	2
5	71597G01		SELF THREADING NUT.....	8
6	618556		LED HEADLIGHT (PASSENGER SIDE).....	1
7	614555		LED HEADLIGHT (DRIVER SIDE)	1

ELECTRICAL SYSTEM



ELECTRICAL SYSTEM

THE USE OF NON U.L. PARTS WILL VOID ANY U.L. LISTING.

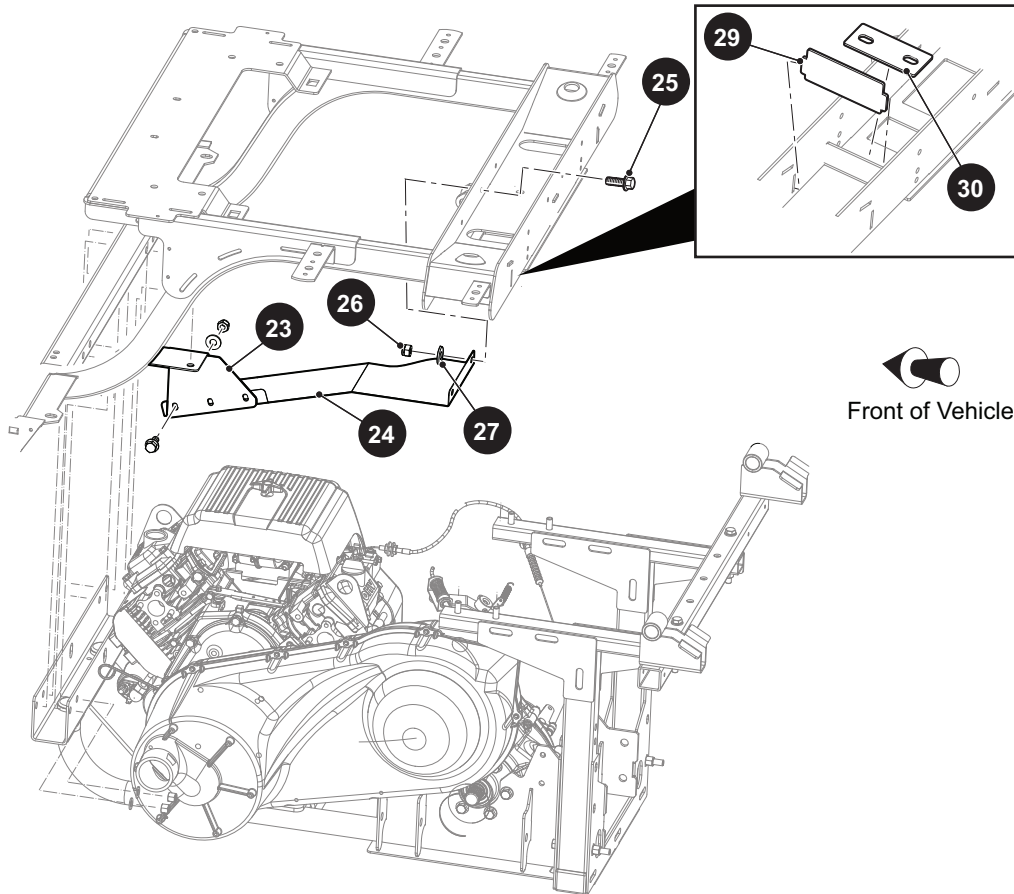
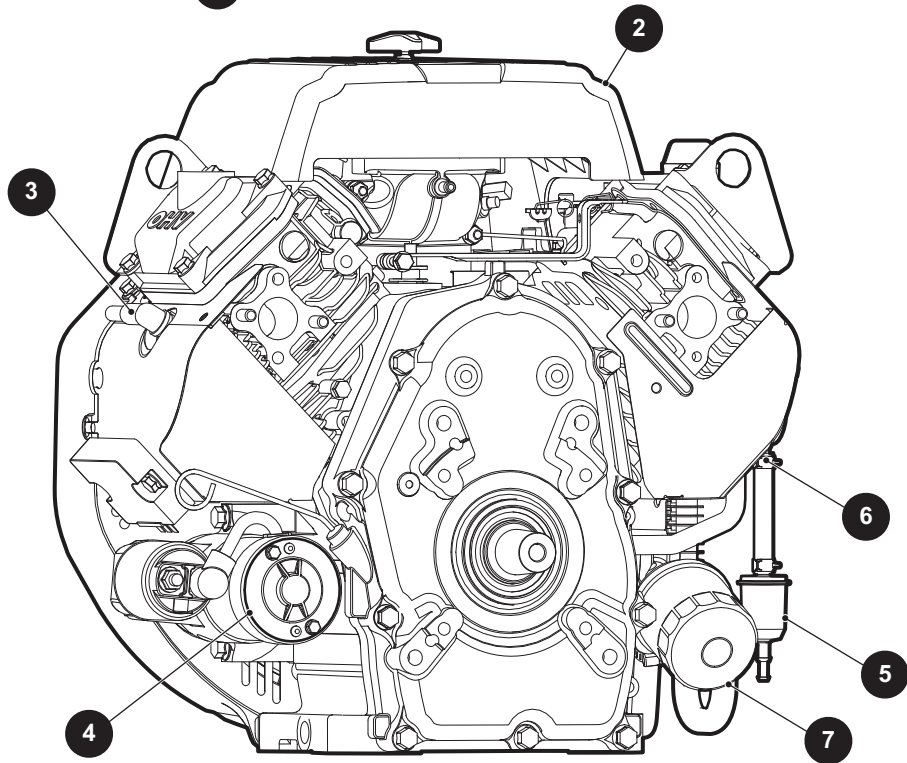
When ordering parts, please specify the model and serial number of the product.

* Indicates a component that is not available as an individual part.

*** Indicates consult Customer Service Department for additional information.

ITEM	PART NO.	1 2 3 4 5	DESCRIPTION	QTY.
1	632556		CONTROLLER, 48V	1
2	00415G2		HEX HEAD CAP SCREW, 1/4" - 20 X 1 1/4" LG	4
3	01110G01		FLAT WASHER, 1/4"	8
4	14390G4		LOCK NUT, 1/4" - 20	4
5	73876G01		HEX HEAD FLANGED BOLT, M6 - 1 X 12MM	5
6	00642G7		FLAT WASHER, 1/4"	3
7	628665		REAR MOTOR WIRE (V).....	1
8	628667		REAR MOTOR WIRE (W).....	1
9	634718		WIRE, 10" LG.....	2
10	634716		WIRE, 7" LG.....	2
11	634717		WIRE, 16" LG.....	3
12	628668		REAR MOTOR WIRE (U)	1

1 SUBARU ENGINE - EH722 includes items 2 - 21



THE USE OF NON U.L. PARTS WILL VOID ANY U.L. LISTING.

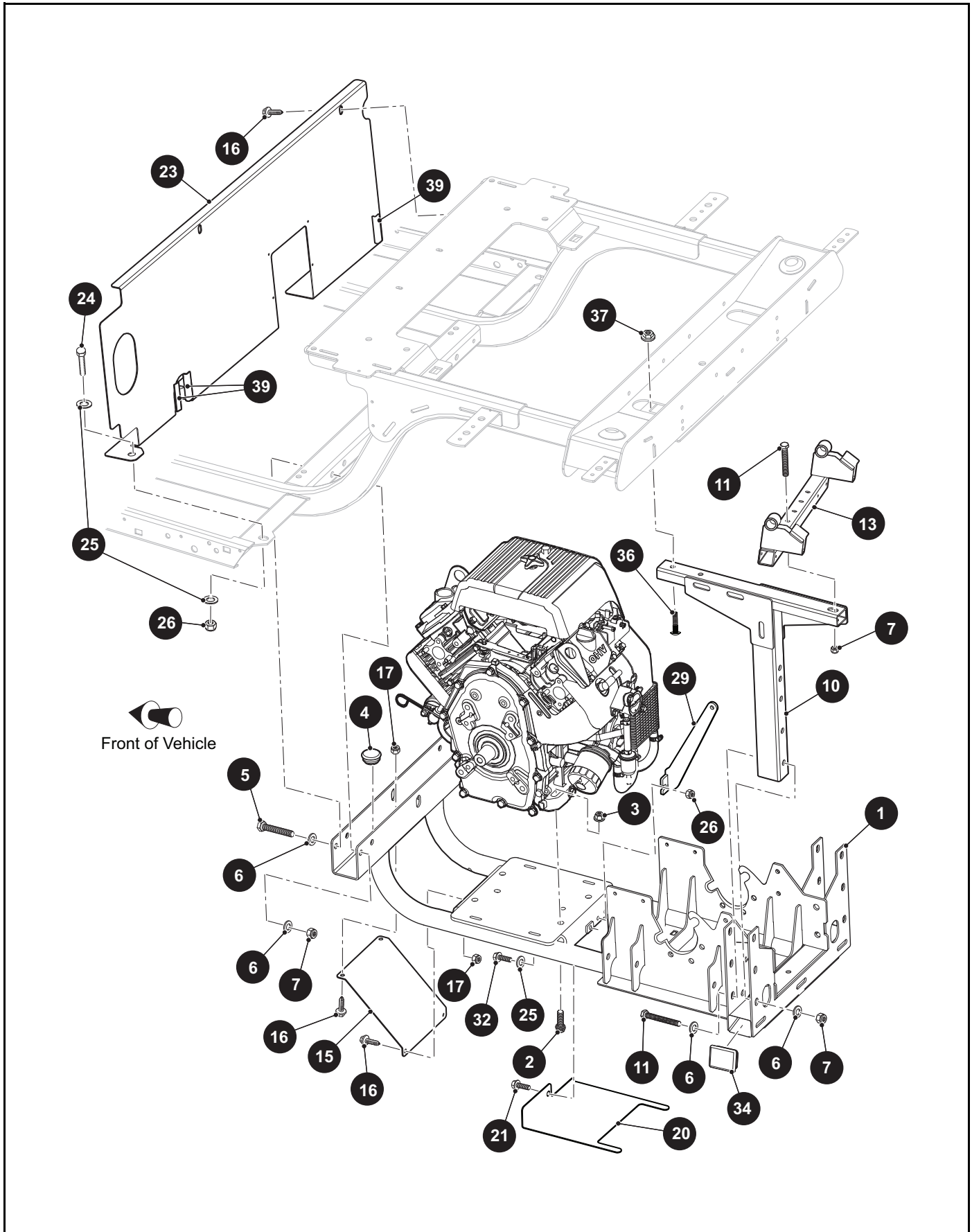
When ordering parts, please specify the model and serial number of the product.

* Indicates a component that is not available as an individual part.

*** Indicates consult Customer Service Department for additional information.

ITEM	PART NO.	1 2 3 4 5	DESCRIPTION	QTY.
1	632252		SUBARU ENGINE - EH722 (INCLUDES ITEMS 2 - 21)	1
2	635771		AIR CLEANER ELEMENT.....	1
3	635778		SPARK PLUG	1
4	635779		STARTING MOTOR	1
5	635772		FUEL FILTER	1
6	635773		FUEL PUMP	1
7	635774		OIL FILTER.....	1
8	635775		OIL FILLER CAP (NOT ILLUSTRATED)	1
9	635776		OIL FILLER O-RING (NOT ILLUSTRATED).....	1
10	635777		IGNITION COIL (NOT ILLUSTRATED)	1
11	635780		MAGNETIC SWITCH (NOT ILLUSTRATED)	1
12	635761		CRANKCASE OIL SEAL (NOT ILLUSTRATED)	1
13	635762		MAIN BEARING COVER GASKET (NOT ILLUSTRATED)	1
14	635763		CYLINDER HEAD GASKET 1 (NOT ILLUSTRATED).....	1
15	635764		CYLINDER HEAD GASKET 2 (NOT ILLUSTRATED).....	1
16	635765		ROCKER COVER GASKET (NOT ILLUSTRATED).....	1
17	635766		CRANKCASE GASKET SET (NOT ILLUSTRATED).....	1
18	635767		IN/EXHAUST CLEANER GASKET (NOT ILLUSTRATED)	1
19	635768		IN/EXHAUST ADAPTER GASKET (NOT ILLUSTRATED)	1
20	635769		IN/EXHAUST CARBURETOR GASKET (NOT ILLUSTRATED)	1
21	635770		INTAKE MANIFOLD GASKET (NOT ILLUSTRATED).....	1
22				
23	635411		HEAT SHIELD BRACKET	1
24	635136		HEAT SHIELD.....	1
25	13437G9		HEX HEAD BOLT, 1/4" - 20 X 3/4" LG	4
26	14390G4		LOCK NUT, 1/4" - 20.....	4
27	00559G7		FLAT WASHER, 1/4"	4
28				
29	635284		REAR SUPPORT PLATE.....	2
30	635310		REAR LOWER SUPPORT PLATE	2
31				

ENGINE



THE USE OF NON U.L. PARTS WILL VOID ANY U.L. LISTING.
 When ordering parts, please specify the model and serial number of the product.
 * Indicates a component that is not available as an individual part.
 *** Indicates consult Customer Service Department for additional information.

ITEM	PART NO.	1 2 3 4 5	DESCRIPTION	QTY.
1	637464		FRAME (GAS POWERTRAIN)	1
2	603800		HEX HEAD BOLT, M10 - 1.5 X 50MM LG.....	4
3	600525		LOCK NUT, M10 - 1.5	4
4	628915		TUBE PLUG (PLASTIC), 1.5" O.D.	2
5	00428G8		HEX HEAD BOLT, 3/8" - 16 X 2 1/4" LG	4
6	00560G1		FLAT WASHER, 3/8"	20
7	11098G5		LOCK NUT, 3/8" - 16.....	8
8				
9				
10	632160		REAR POWERTRAIN SUPPORT WELDMENT	2
11	00665G9		HEX HEAD BOLT (SS), 3/8" - 16 X 1" LG	4
12	00427G8		HEX HEAD BOLT, 3/8" - 16 X 2" LG	4
13	637334		BED PIVOT WELDMENT	1
14				
15	634680		STARTER GUARD.....	1
16	00715G2		HEX HEAD BOLT, 5/16" - 18 X 4/5" LG	6
17	14390G4		LOCK NUT, 1/4" - 20.....	4
18				
19				
20	634687		OIL ACCESS PANEL	1
21	548604		HEX HEAD BOLT, 5/16" - 18 X 3/4" LG	1
22				
23	632646		BATTERY HEAT SHIELD.....	1
24	00462G7		HEX HEAD BOLT, 7/16" - 14 X .88" LG	1
25	00922G3		FLAT WASHER, 7/16".....	4
26	00734G1		LOCK NUT, 7/16" - 14.....	3
27				
28				
29	635783		ANTI ROTATION WELDMENT	1
30				
31				

ENGINE

THE USE OF NON U.L. PARTS WILL VOID ANY U.L. LISTING.

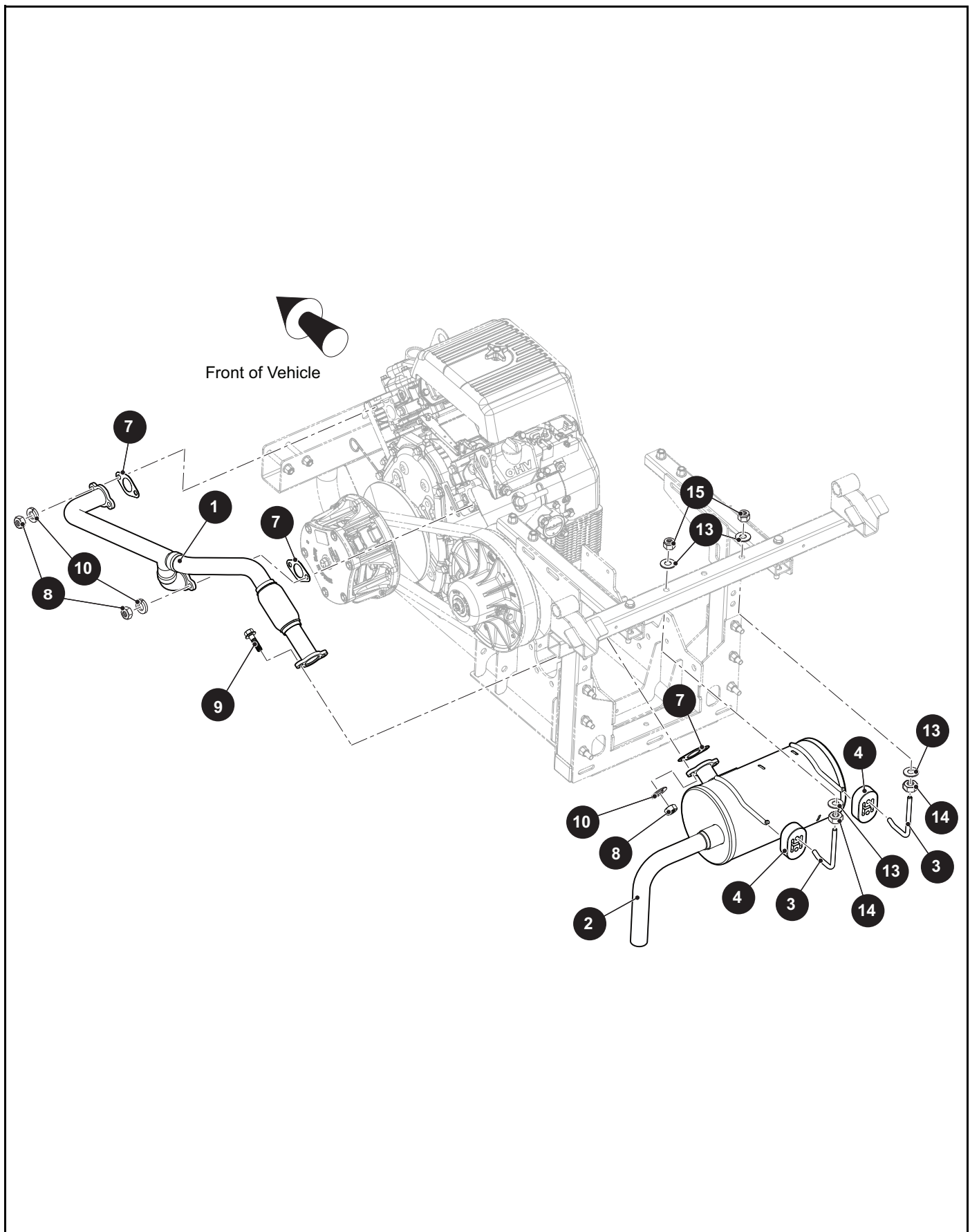
When ordering parts, please specify the model and serial number of the product.

* Indicates a component that is not available as an individual part.

*** Indicates consult Customer Service Department for additional information.

ITEM	PART NO.	1 2 3 4 5	DESCRIPTION	QTY.
32	00463G4		HEX HEAD BOLT, 7/16" - 14 X 1.5" LG.....	2
33				
34	634762		TUBING PLUG, 1.5" X 2.0".....	2
35				
36	635176		RIB NECK BOLT, 3/8" - 16 X 1 3/4" LG.....	4
37	12262G1		FLANGED LOCK NUT, 3/8" - 16.....	4
38				
39	635932		TRIM (BLACK), 2".....	3

ENGINE MUFFLER



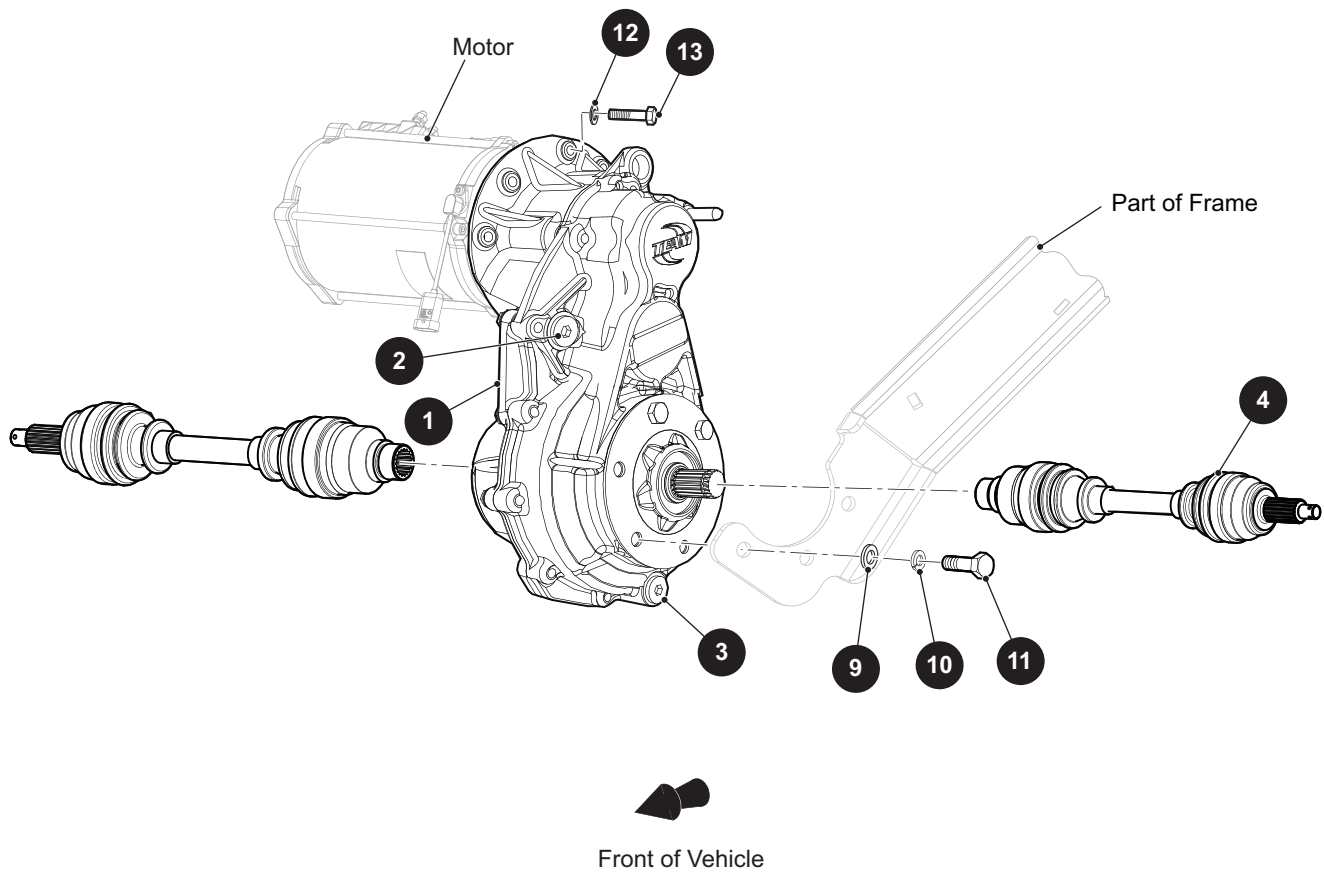
ENGINE MUFFLER

THE USE OF NON U.L. PARTS WILL VOID ANY U.L. LISTING.
 When ordering parts, please specify the model and serial number of the product.
 * Indicates a component that is not available as an individual part.
 *** Indicates consult Customer Service Department for additional information.

ITEM	PART NO.	1 2 3 4 5	DESCRIPTION	QTY.
1	632302		EXHAUST MANIFOLD.....	1
2	632218		MUFFLER	1
3	632666		MUFFLER HANGER.....	2
4	615848		MUFFLER ISOLATION MOUNT	2
5				
6				
7	633613		GASKET.....	3
8	606267		HEX NUT, M8 - 1.25.....	6
9	602330		FLANGED HEX HEAD BOLT, M8 - 1.25 X 30MM LG.....	2
10	606272		LOCK WASHER, 8MM.....	6
11				
12				
13	00559G8		FLAT WASHER, 5/16".....	4
14	00544G3		HEX NUT, 5/16" - 18	2
15	11098G6		LOCK NUT, 5/16" - 18.....	2

FRONT AXLE

1 INDEPENDENT DIFFERENTIAL includes items 2 - 3



FRONT AXLE

THE USE OF NON U.L. PARTS WILL VOID ANY U.L. LISTING.

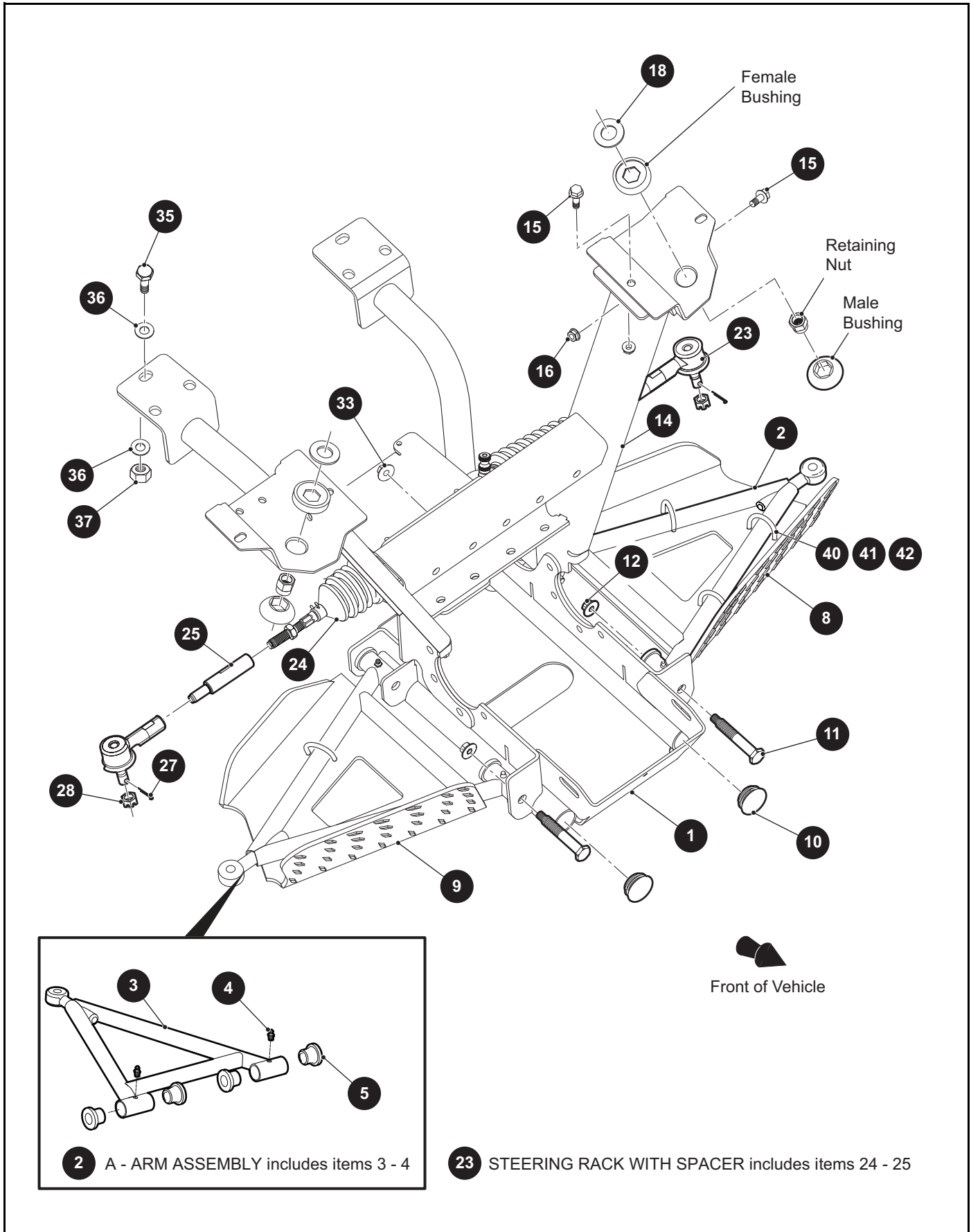
When ordering parts, please specify the model and serial number of the product.

* Indicates a component that is not available as an individual part.

*** Indicates consult Customer Service Department for additional information.

ITEM	PART NO.	1 2 3 4 5	DESCRIPTION	QTY.
1	631489G02		INDEPENDENT DIFFERENTIAL (INCLUDES ITEMS 2 - 3)	1
2	*		OIL FILL PLUG	1
3	*		OIL DRAIN PLUG	1
4	633667		AXLE ASSEMBLY	2
5				
6				
7				
8				
9	00571G3		FLAT WASHER, 3/8"	8
10	608654		LOCK WASHER, 10MM	8
11	306835		HEX HEAD BOLT, 3/8" - 16 X 1 1/4" LG	8
12	601327		LOCK WASHER, 6MM	6
13	605741		HEX HEAD BOLT, M6 - 1 X 25MM LG	6
14	12719G1		ANTI - SEIZE COMPOUND (NOT ILLUSTRATED)	AR
15	18659G3		THREAD LOCKING ADHESIVE (NOT ILLUSTRATED)	AR

FRONT SUSPENSION AND STEERING



FRONT SUSPENSION AND STEERING

THE USE OF NON U.L. PARTS WILL VOID ANY U.L. LISTING.

When ordering parts, please specify the model and serial number of the product.

* Indicates a component that is not available as an individual part.

*** Indicates consult Customer Service Department for additional information.

ITEM	PART NO.	1 2 3 4 5	DESCRIPTION	QTY.
1	626617		LOWER WELDMENT	1
2	625914		A - ARM ASSEMBLY (INCLUDES ITEMS 3 - 4).....	2
3	634159		A - ARM WELDMENT	1
4	10389G3		GREASE FITTING.....	2
5	616036		BUSHING, 0.84" OD X 0.512" ID	8
6				
7				
8	631703G01		STICK STOPPER (DRIVER SIDE)	1
9	631703G02		STICK STOPPER (PASSENGER SIDE)	1
10	628915		PLASTIC TUBE PLUG, 1.5" OD	2
11	14158G1		HEX HEAD SHOULDER BOLT, 3/8" - 16 X 2 3/4" LG	4
12	12262G1		FLANGED LOCK NUT, 3/8" - 16.....	4
13				
14	630774		UPPER WELDMENT	1
15	548604		HEX HEAD FLANGED BOLT, 5/16" - 18 X 3/4" LG	4
16	11027G1		FLANGED LOCK NUT, 5/16" - 18.....	4
17				
18	616701		RUBBER WASHER, 1.5"	2
19				
20				
21				
22				
23	627868		STEERING RACK WITH SPACER (INCLUDES ITEMS 24 - 25)	1
24	618330		STEERING RACK ASSEMBLY, 3.69.....	1
25	626303		SPACER, RACK AND PINION	2
26				
27	10387G2		COTTER PIN, 0.094" X 1.00" LG.....	2
28	608005		CASTLE NUT, M12 - 1.25.....	2
29				
30				
31	630449		SOCKET HEAD BOLT, M10 - 1.5 X 45MM LG (NOT ILLUSTRATED)	3

FRONT SUSPENSION AND STEERING

THE USE OF NON U.L. PARTS WILL VOID ANY U.L. LISTING.

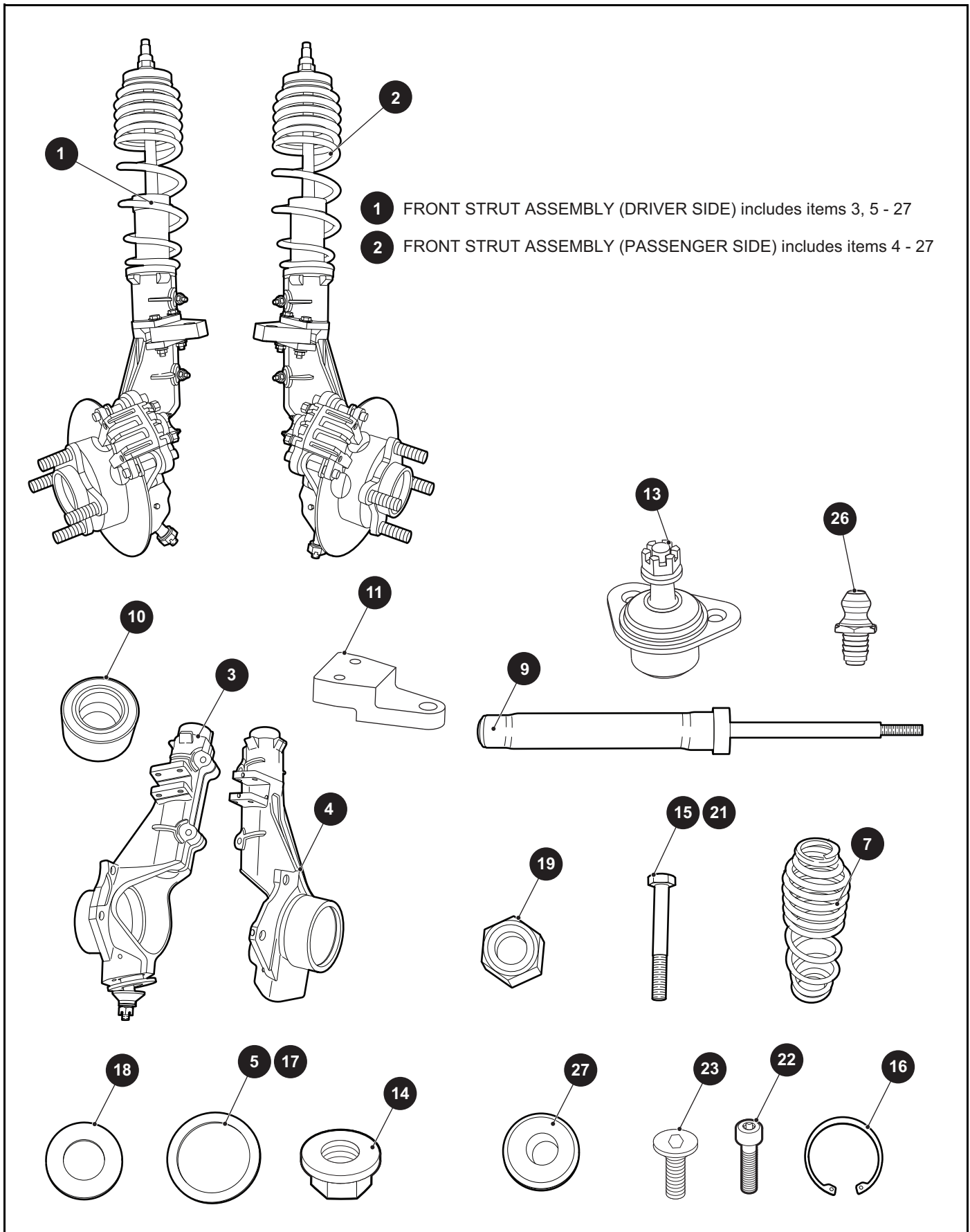
When ordering parts, please specify the model and serial number of the product.

* Indicates a component that is not available as an individual part.

*** Indicates consult Customer Service Department for additional information.

ITEM	PART NO.	1	2	3	4	5	DESCRIPTION	QTY.
32								
33	630450						FLANGED LOCK NUT, M10 - 1.5.....	3
34								
35	01066G01						HEX HEAD BOLT, M12 - 1.75 X 1.6" LG.....	6
36	306982						FLAT WASHER, 0.34"	12
37	616971						LOCK NUT, M12 - 1.75.....	6
38	306981						FLAT WASHER, 0.41" (NOT ILLUSTRATED)	4
39	625748						NYLOCK NUT, 1/2" - 13 (NOT ILLUSTRATED)	2
40	616713						U - BOLT, 1/4" - 20 X 1.37" LG	6
41	14390G4						LOCK NUT, 1/4" - 20	12
42	616671						FLAT WASHER, 15.8MM	12
43								
44	10387G2						COTTER PIN, 0.094" X 1.00" LG (NOT ILLUSTRATED)	2

FRONT SUSPENSION AND STEERING



FRONT SUSPENSION AND STEERING

THE USE OF NON U.L. PARTS WILL VOID ANY U.L. LISTING.

When ordering parts, please specify the model and serial number of the product.

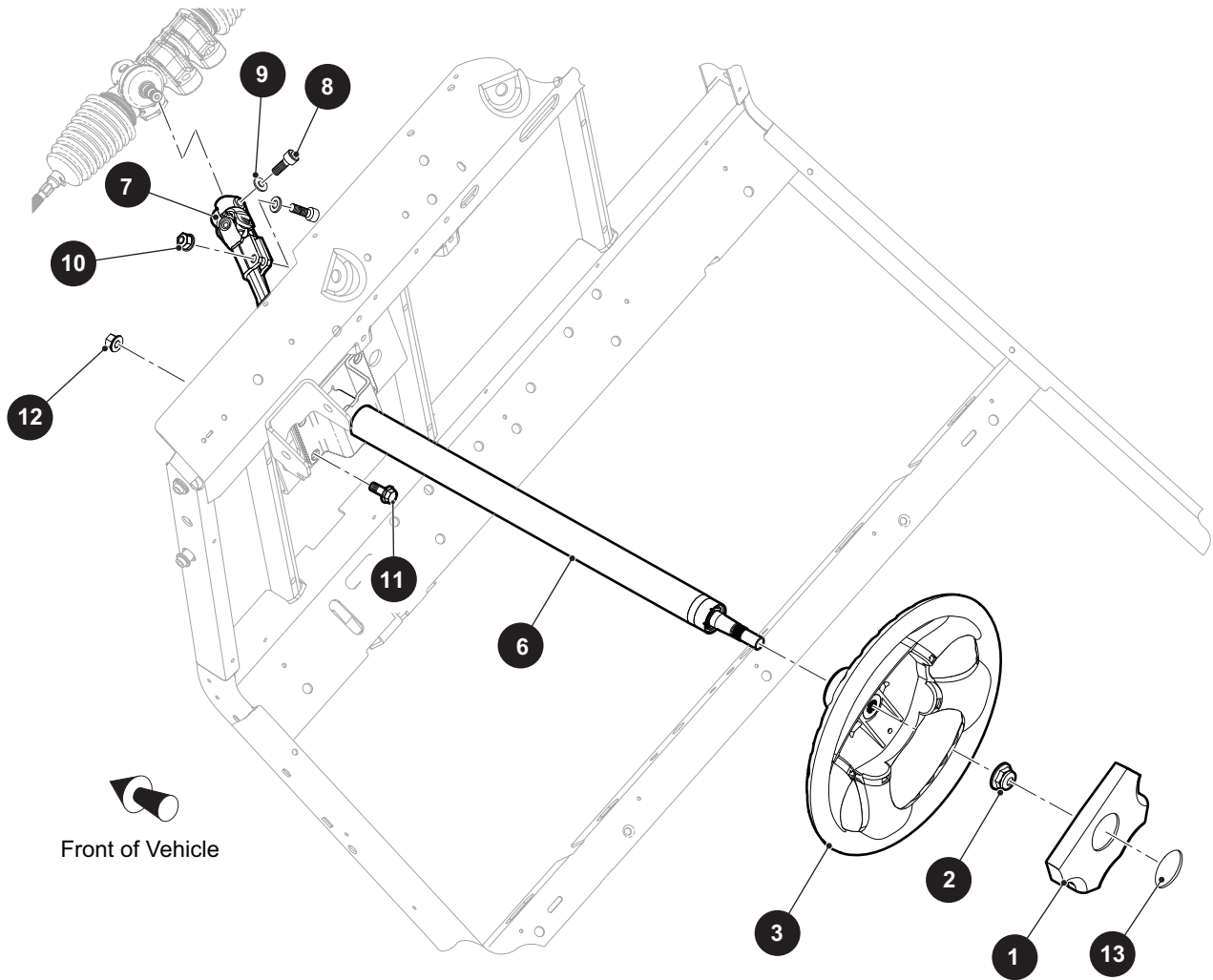
* Indicates a component that is not available as an individual part.

*** Indicates consult Customer Service Department for additional information.

ITEM	PART NO.	1 2 3 4 5	DESCRIPTION	QTY.
1	632408G01		FRONT STRUT ASSEMBLY (DRIVER SIDE) (INCLUDES ITEMS 3, 5 - 27)	1
2	632408G02		FRONT STRUT ASSEMBLY (PASSENGER SIDE) (INCLUDES ITEMS 4 - 27)	1
3	632410G01		STRUT BASE (DRIVER SIDE).....	1
4	632410G02		STRUT BASE (PASSENGER SIDE)	1
5	616053		STRUT WASHER, 52MM	1
6				
7	618346		SPRING	1
8				
9	616040		LONG SHOCK STRUT	1
10	616041		WHEEL BEARING	1
11	626725		STEERING ARM	1
12				
13	616064		STRUT BALL JOINT	1
14	630803		LOCK NUT, 5/16" - 18	2
15	630804G01		HEX HEAD BOLT, 5/16" - 18 X 2" LG.....	2
16	632409		SNAP RING, 2.384"	1
17	616060		STRUT SPRING WASHER, 52MM	1
18	103867		FLAT WASHER, 0.31"	4
19	616673		LOCK NUT, M8 X 1.25	2
20				
21	616672		HEX HEAD BOLT, M8 - 1.25 X 60MM LG	2
22	616596		SOCKET HEAD BOLT, 3/8" - 24 X 3/4" LG	2
23	616597		FLAT HEAD TORX SCREW, 1/4" - 20 X 3/4" LG	2
24	12730G1		WHEEL BEARING GREASE (NOT ILLUSTRATED).....	AR
25	18659G3		THREAD LOCKING ADHESIVE (NOT ILLUSTRATED)	AR
26	632405		GREASE FITTING.....	1
27	616073		BUMP STRUT	1

FRONT SUSPENSION AND STEERING

5 STEERING COLUMN ASSEMBLY includes items 6 - 10



FRONT SUSPENSION AND STEERING

THE USE OF NON U.L. PARTS WILL VOID ANY U.L. LISTING.

When ordering parts, please specify the model and serial number of the product.

* Indicates a component that is not available as an individual part.

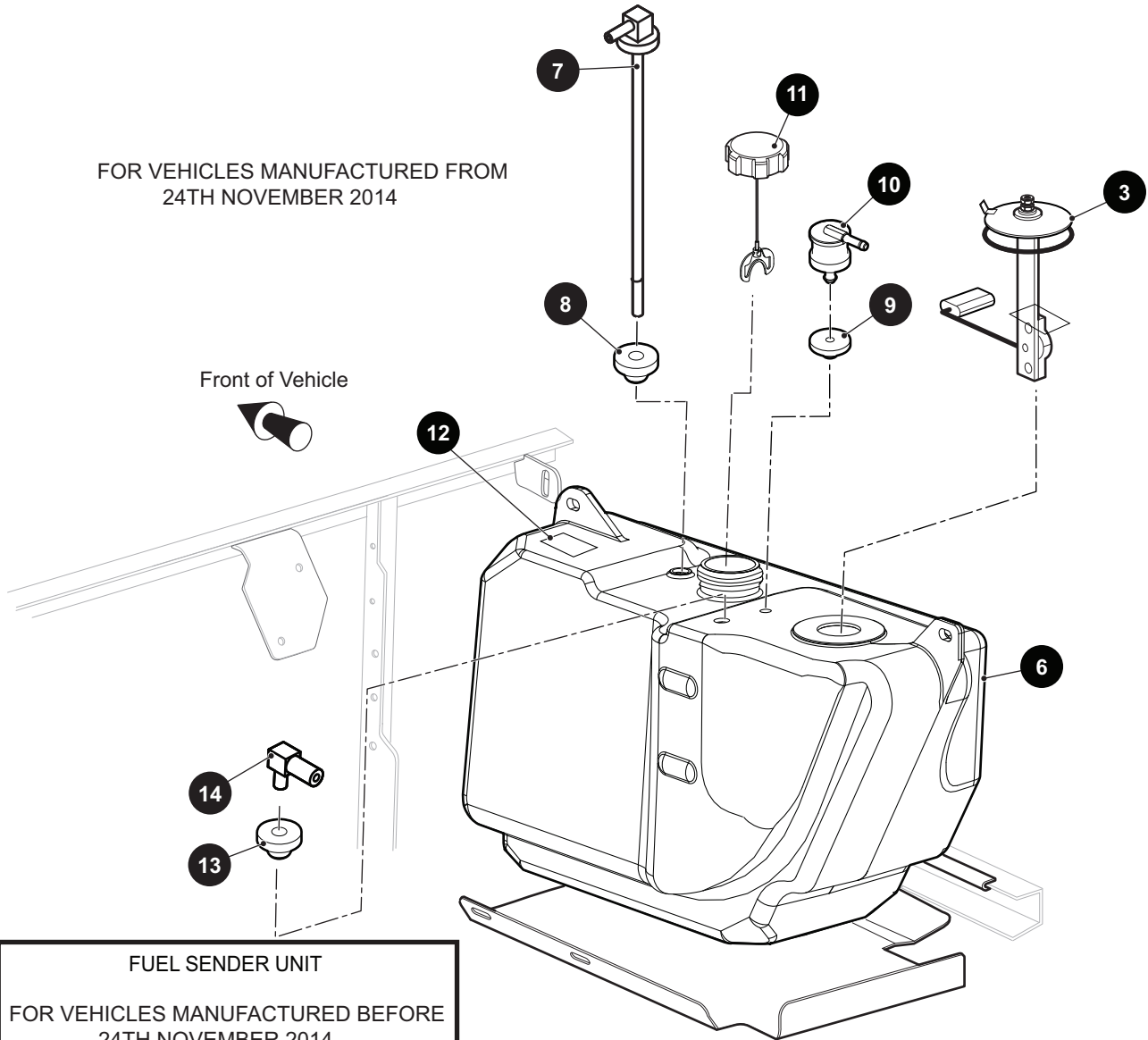
*** Indicates consult Customer Service Department for additional information.

ITEM	PART NO.	1 2 3 4 5	DESCRIPTION	QTY.
1	71147G01		STEERING WHEEL COVER	1
2	601709		LOCK NUT, M16 - 2	1
3	602980		STEERING WHEEL	1
4	12719G1		ANTI - SEIZE COMPOUND (NOT ILLUSTRATED)	AR
5	600333		STEERING COLUMN ASSEMBLY (INCLUDES ITEMS 6 - 10)	1
6	608117		COLUMN SUB - ASSEMBLY	1
7	608114		STEERING YOKE	1
8	608653		SOCKET HEAD BOLT, M10 - 1.5 X 35MM LG.....	2
9	608654		SPLIT LOCK WASHER, 10.5MM	2
10	608655		HEX NUT, M10 - 1.5	1
11	603799		HEX HEAD BOLT, M10 - 1.5 X 25MM LG.....	4
12	600525		LOCK NUT, M10 - 1.5	4
13	617802		BBB STEERING WHEEL DECAL	1

FUEL SYSTEM

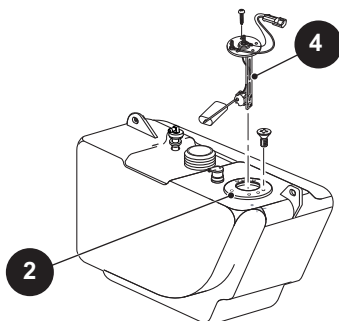
- 1 CARB FUEL TANK ASSEMBLY (WITH SWITCH) includes items 3, 5 - 14
- 5 FLUOR FUEL TANK (WITH SENDER UNIT) includes items 6

FOR VEHICLES MANUFACTURED FROM
24TH NOVEMBER 2014



FUEL SENDER UNIT

FOR VEHICLES MANUFACTURED BEFORE
24TH NOVEMBER 2014



FUEL SYSTEM

THE USE OF NON U.L. PARTS WILL VOID ANY U.L. LISTING.

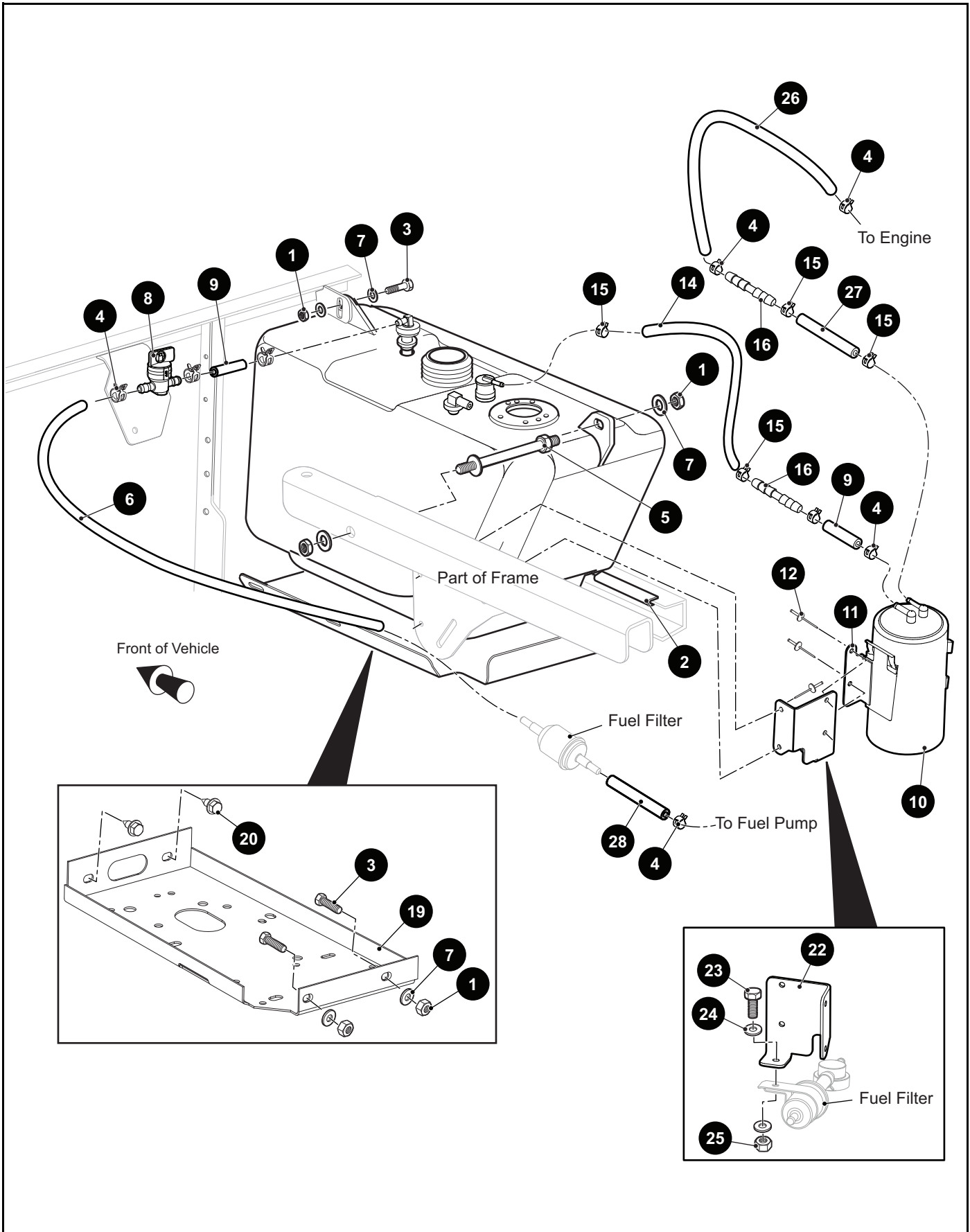
When ordering parts, please specify the model and serial number of the product.

* Indicates a component that is not available as an individual part.

*** Indicates consult Customer Service Department for additional information.

ITEM	PART NO.	1 2 3 4 5	DESCRIPTION	QTY.
1	633216		CARB FUEL TANK ASSEMBLY (WITH SWITCH) (INCLUDES ITEMS 3, 5 -14) (FOR VEHICLES MANUFACTURED FROM 24TH NOVEMBER 2014)	1
2	72229G01		FUEL TANK ADAPTER.....	1
3	633024G03		PRESS FIT FUEL SENDER.....	1
4	20048G7		FUEL LEVEL SENDER.....	1
5	637492		FLUOR FUEL TANK (WITH SENDER UNIT) (INCLUDES ITEMS 6)	1
6	637495		NON FLUOR FUEL TANK (WITH SENDER UNIT)	1
7	18287G3		SIPHON TUBE ASSEMBLY	1
8	70988G01		SIPHON TUBE GROMMET	1
9	606068		ROLLOVER VALVE GROMMET	1
10	606067		ROLLOVER VALVE	1
11	635688		FUEL TANK CAP (RATCHET).....	1
12	625826		EPA FUEL TANK LABEL	1
13	633545		FUEL RETURN GROMMET	1
14	633546		FUEL RETURN FITTING	1

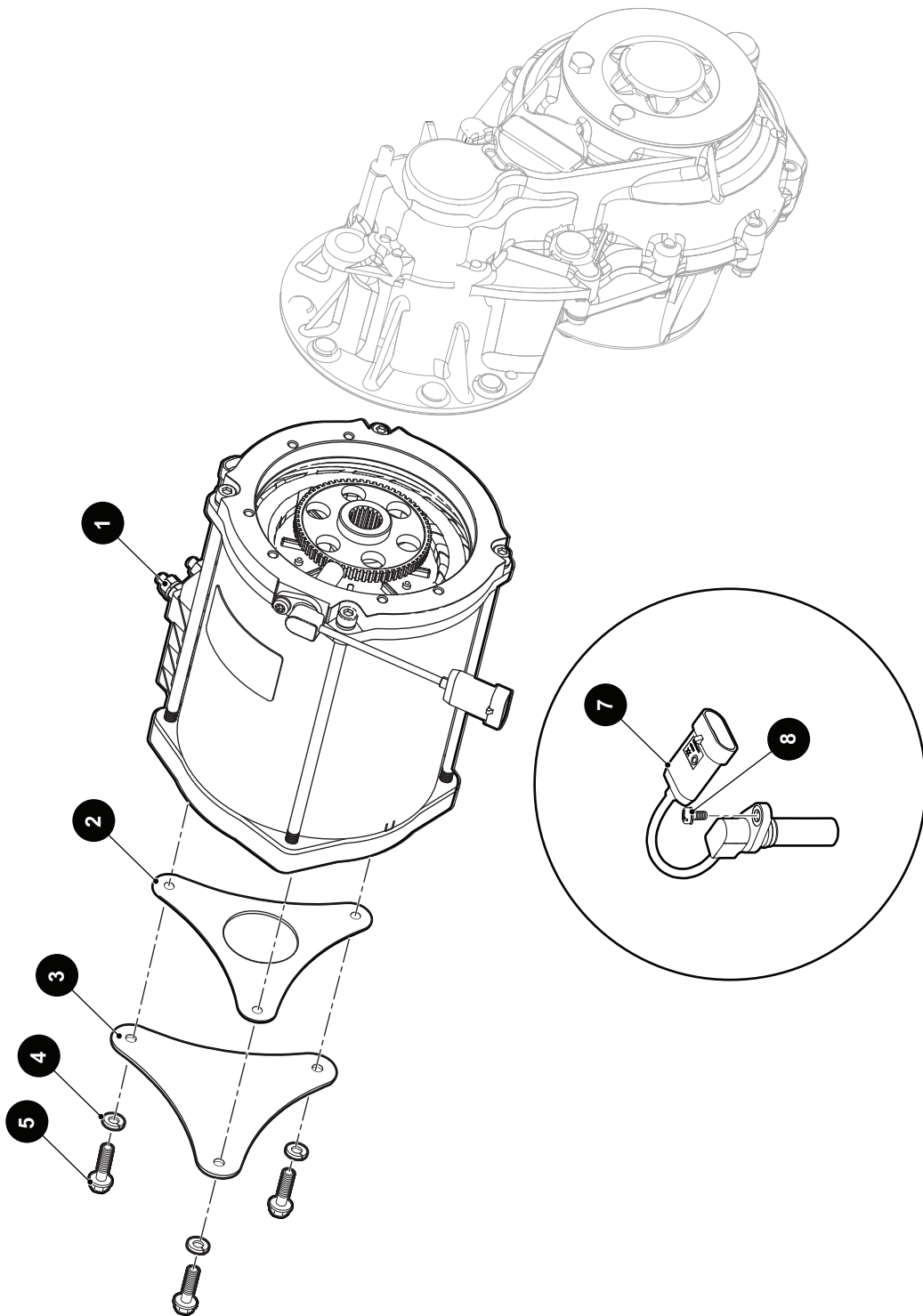
FUEL SYSTEM



THE USE OF NON U.L. PARTS WILL VOID ANY U.L. LISTING.
 When ordering parts, please specify the model and serial number of the product.
 * Indicates a component that is not available as an individual part.
 *** Indicates consult Customer Service Department for additional information.

ITEM	PART NO.	1 2 3 4 5	DESCRIPTION	QTY.
1	11098G6		LOCK NUT, 5/16" - 18.....	5
2	32372G6		VINYL TRIM, 6.25".....	1
3	00438G8		HEX HEAD BOLT, 5/16" - 18 X 1" LG.....	3
4	18292G1		TUBING CLAMP.....	9
5	70483G01		SPACER, 5/16" - 18 X .66" LG.....	1
6	634061		FUEL HOSE, 1/4" I.D X 17.4" LG.....	1
7	00559G8		FLAT WASHER, 5/16".....	8
8	611181		FUEL SHUT-OFF VALVE.....	1
9	615350		FUEL HOSE, 2".....	2
10	606071		CARBON CANISTER.....	1
11	606310		CHARCOAL CANISTER BRACKET.....	1
12	15058G1		RIVET, 3/16" X 5/8" LG.....	4
13				
14	606964		HOSE, 3/16" I.D. X 13" LG.....	1
15	606963		HOSE CLAMP, 3/16" I.D.	4
16	615346		HOSE REDUCER, 1/4" I.D X 3/16" O.D.....	2
17				
18				
19	70244G03		SPLASH PAN.....	1
20	00715G2		HEX HEAD TAPTITE SCREW, 5/16" - 18 X .8" LG.....	2
21				
22	633308		CANISTER BRACKET.....	1
23	00661G8		HEX HEAD BOLT (SS), 1/4" - 20 X 1" LG.....	1
24	308090		FLAT WASHER, 1/4".....	2
25	28418G01		LOCK NUT, 5/16" - 18.....	1
26	633623		FUEL HOSE, 1/4" I.D X 34" LG.....	1
27	633620		HOSE, 3/16" I.D X 4" LG.....	1
28	634062		FUEL HOSE, 1/4" I.D X 3" LG.....	1

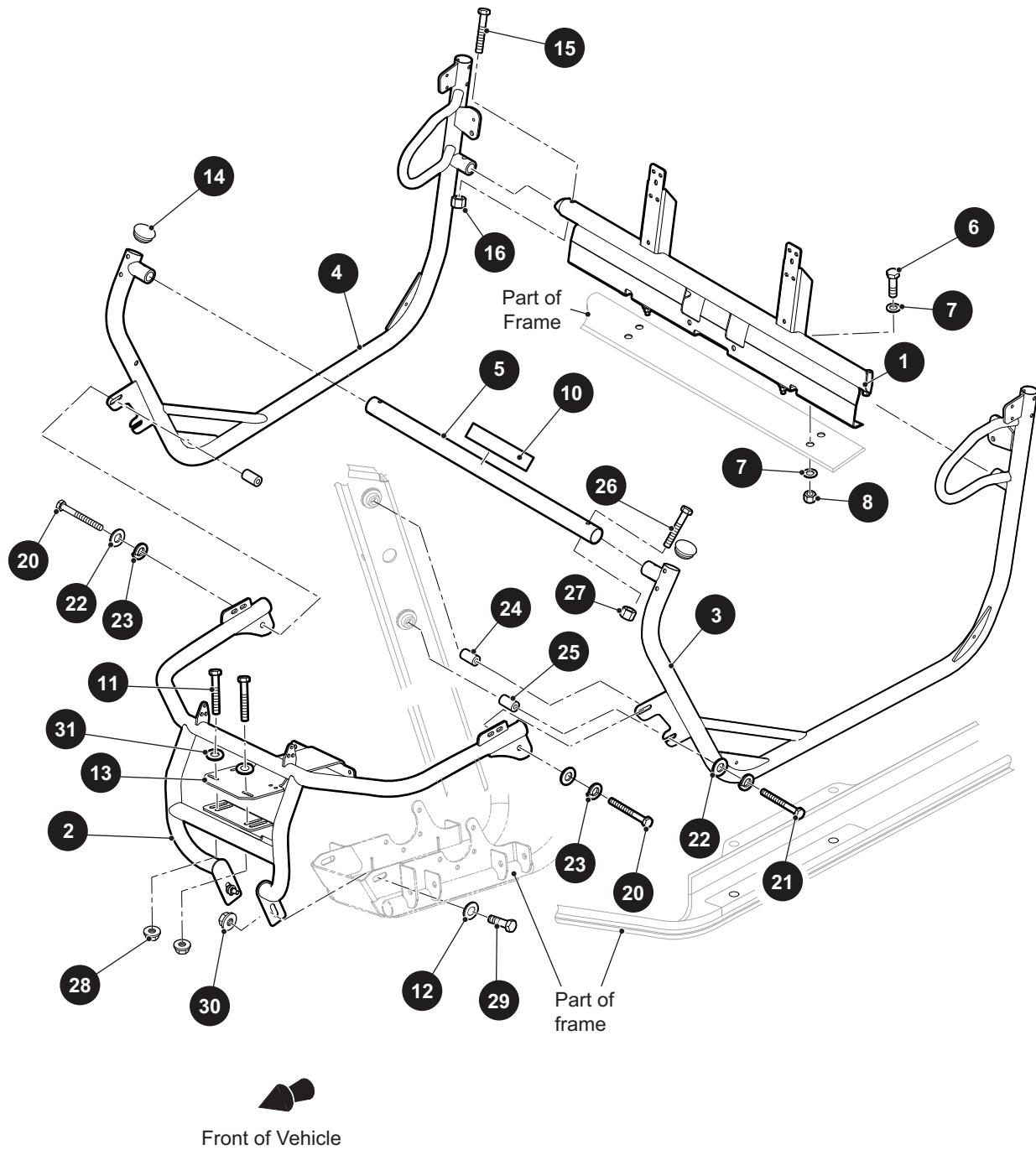
MOTOR



THE USE OF NON U.L. PARTS WILL VOID ANY U.L. LISTING.
 When ordering parts, please specify the model and serial number of the product.
 * Indicates a component that is not available as an individual part.
 *** Indicates consult Customer Service Department for additional information.

ITEM	PART NO.	1 2 3 4 5	DESCRIPTION	QTY.
1	615557		MOTOR, 72V	1
2	629597		MOTOR COVER GASKET	1
3	629596		MOTOR COVER	1
4	601327		LOCK WASHER, 6MM.....	3
5	616716		HEX HEAD BOLT, M6 - 1 X 16MM LG.....	3
6	12719G1		ANTI SEIZE COMPOUND (NOT ILLUSTRATED)	AR
7	612741		SPEED SENSOR.....	1
8	614253		PAN HEAD PHILLIPS SCREW, M6 - 1 X 12MM LG.....	1

OPERATOR PROTECTION SYSTEM



OPERATOR PROTECTION SYSTEM

THE USE OF NON U.L. PARTS WILL VOID ANY U.L. LISTING.

When ordering parts, please specify the model and serial number of the product.

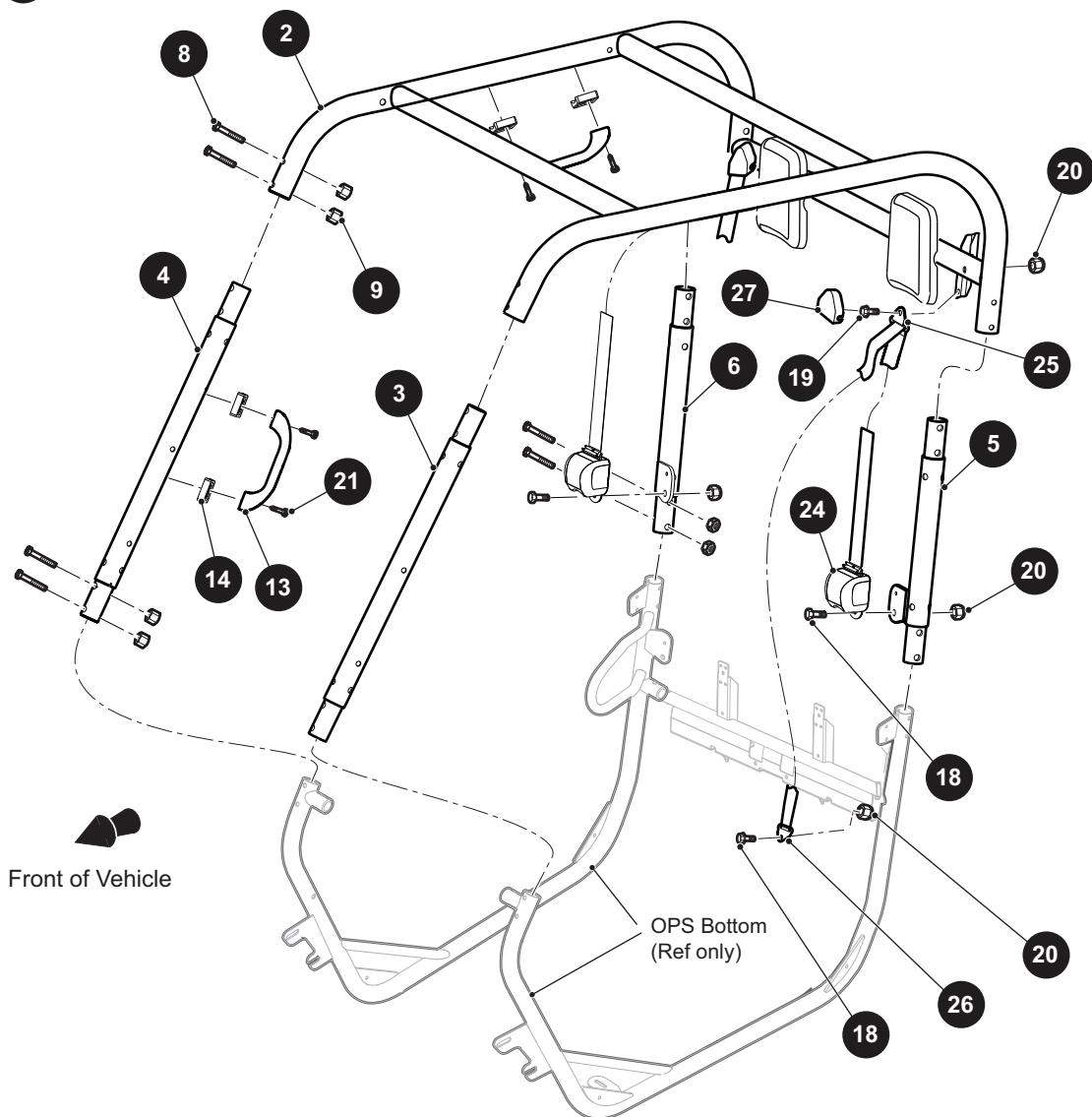
* Indicates a component that is not available as an individual part.

*** Indicates consult Customer Service Department for additional information.

ITEM	PART NO.	1 2 3 4 5	DESCRIPTION	QTY.
1	640293		OPS SEAT SUPPORT	1
2	635544		FRONT BUMPER	1
3	640182		OPS BOTTOM, DRIVER SIDE	1
4	640183		OPS BOTTOM, PASSENGER SIDE.....	1
5	629023		FRONT CROSSBAR TUBE	1
6	00427G2		HEX HEAD BOLT, 3/8" - 16 X 1 1/4" LG	4
7	00571G2		FLAT WASHER, 5/16"	8
8	11098G5		LOCK NUT, 3/8" - 16	4
9				
10	630397		OP INSTRUCTION DECAL	1
11	00439G2		HEX HEAD BOLT, 5/16" - 18 X 1 1/4" LG	2
12	00571G2		FLAT WASHER, 5/16"	2
13	634047		WINCH PLATE	1
14	630762		PLUG, 1.75"	4
15	630642		HEX HEAD BOLT, 3/8" - 16 X 2 1/2" LG	2
16	630643		LOCK NUT, 3/8" - 16	2
17				
18				
19				
20	00440G6		HEX HEAD BOLT, 5/16" - 18 X 2 3/4" LG	2
21	00440G2		HEX HEAD BOLT, 5/16" - 18 X 2 1/4" LG	2
22	00642G8		FLAT WASHER, 5/16"	4
23	00565G8		LOCK WASHER, 5/16"	4
24	75048G02		SPACER, 1.31"	2
25	75048G04		SPACER, 1"	2
26	630642		HEX HEAD BOLT, 3/8" - 16 X 2 1/2" LG	2
27	630643		LOCK NUT, 3/8" - 16	2
28	800697		LOCK NUT, 5/16" - 18	2
29	00427G2		HEX HEAD BOLT, 3/8" - 16 X 1 1/4" LG	2
30	12262G1		LOCK NUT, 3/16" - 16	2
31	00642G8		FLAT WASHER, 5/16"	2

OPERATOR PROTECTION SYSTEM

- 1 OPS UPPER KIT includes items 2 - 7
- 7 OPS UPPER HARDWARE KIT includes items 8 - 9
- 12 ACCESSORIES OPS KIT includes items 13 - 24
- 17 OPS ACCESSORY HARDWARE KIT includes items 18 - 21



OPERATOR PROTECTION SYSTEM

THE USE OF NON U.L. PARTS WILL VOID ANY U.L. LISTING.

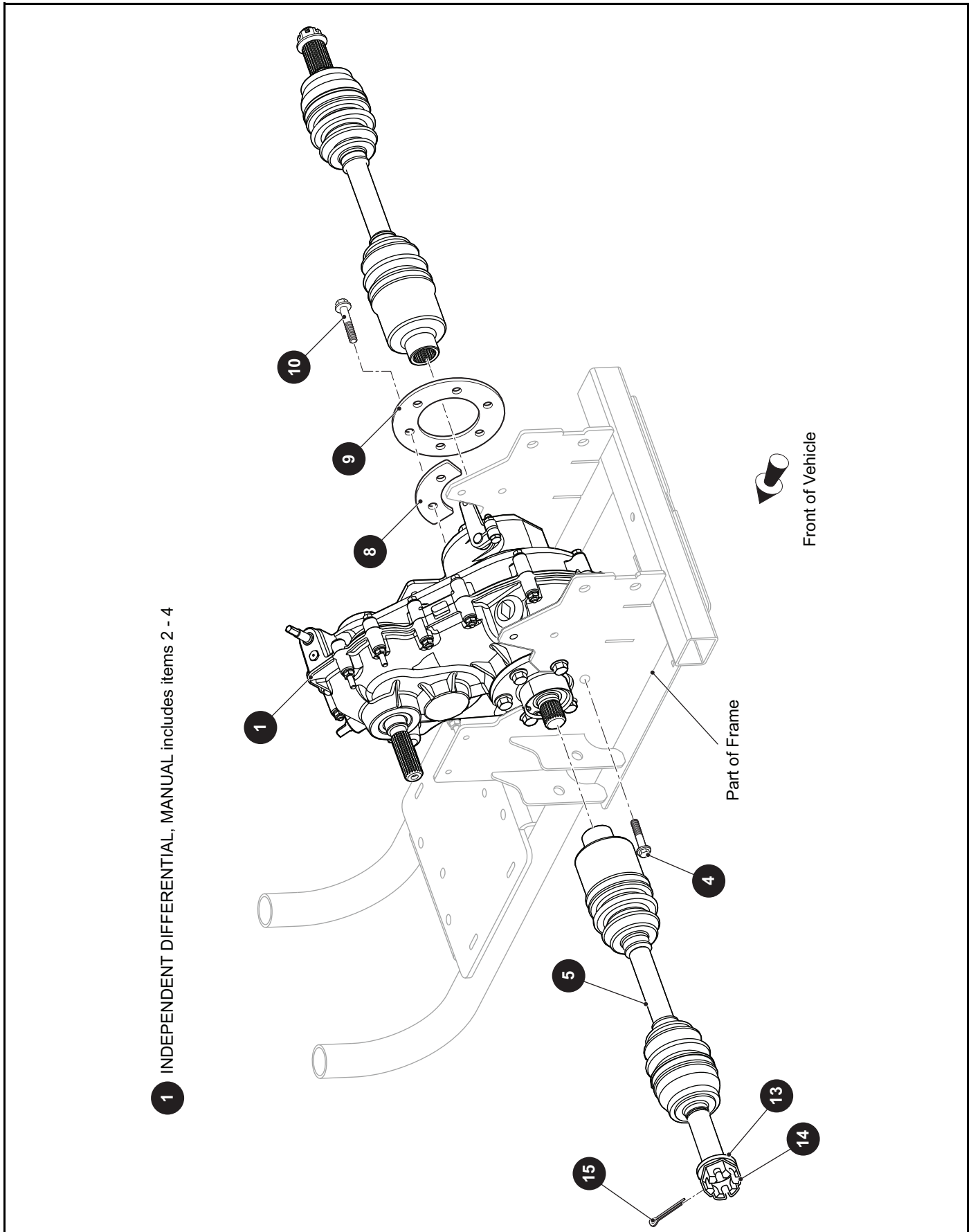
When ordering parts, please specify the model and serial number of the product.

* Indicates a component that is not available as an individual part.

*** Indicates consult Customer Service Department for additional information.

ITEM	PART NO.	1 2 3 4 5	DESCRIPTION	QTY.
1	631578		OPS UPPER KIT (INCLUDES ITEMS 2 - 7).....	1
2	631576		UPPER WELD UNIT	1
3	629082		FRONT CONNECTOR (DRIVER SIDE).....	1
4	629081		FRONT CONNECTOR (PASSENGER SIDE)	1
5	609080		REAR CONNECTOR (DRIVER SIDE)	1
6	609079		REAR CONNECTOR (PASSENGER SIDE).....	1
7	629328		UPPER OPS HARDWARE KIT (INCLUDES ITEMS 8 - 9)	1
8	630642		HEX HEAD BOLT, 3/8" - 16 X 2 1/2" LG	16
9	630643		LOCK NUT, 3/8" - 16.....	16
10				
11				
12	631664		ACCESSORIES OPS KIT (INCLUDES ITEMS 13 - 24)	1
13	611774		GRAB HANDLE	2
14	612254		GRAB HANDLE MOUNT.....	4
15				
16				
17	631579		OPS ACCESSORY HARDWARE KIT (INCLUDES ITEMS 18 - 21)	1
18	610753		HEX HEAD BOLT, 7/16" - 20 X 1" LG	4
19	609569		HEX HEAD BOLT, 7/16" - 20 X 3/4" LG	4
20	00734G3		LOCK NUT, 7/16" - 20.....	6
21	612255		PAN HEAD TORX SCREW, #12 - 14 X 1" LG	4
22				
23	629454		SIDE DOOR NET (PAIR) (NOT ILLUSTRATED).....	1
24	632116		SEAT BELT RETRACTOR	2
25	*		SEAT BELT D-RING	2
26	*		SEAT BELT ATTACH PLATE	2
27	*		SEAT BELT D-RING COVER.....	2

REAR AXLE



THE USE OF NON U.L. PARTS WILL VOID ANY U.L. LISTING.

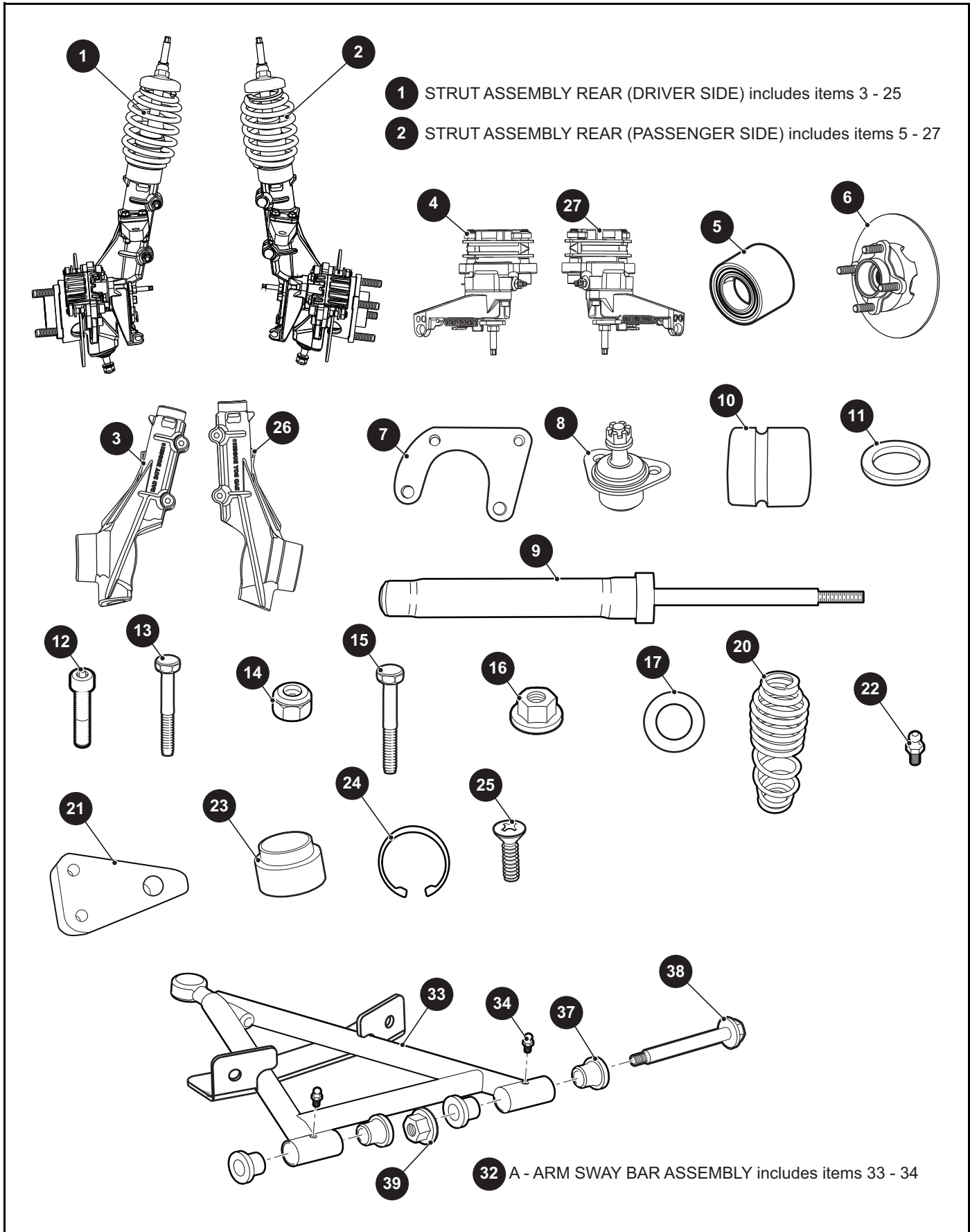
When ordering parts, please specify the model and serial number of the product.

* Indicates a component that is not available as an individual part.

*** Indicates consult Customer Service Department for additional information.

ITEM	PART NO.	1 2 3 4 5	DESCRIPTION	QTY.
1	631810		INDEPENDENT DIFFERENTIAL, MANUAL (INCLUDES ITEMS 2 - 4)	1
2	*		OIL FILL PLUG (NOT ILLUSTRATED).....	1
3	*		OIL DRAIN PLUG (NOT ILLUSTRATED).....	1
4	*		FLANGED HEX BOLT	8
5	636438		AXLE ASSEMBLY	2
6				
7				
8	635732		DIFFERENTIAL ANTI-ROTATION PLATE SPACER	1
9	635730		DIFFERENTIAL MOUNTING PLATE RING.....	1
10	635793		FLANGED HEAX HEAD BOLT, 3/8" - 16 X 3" LG.....	6
11				
12				
13	616052		HUB WASHER, 3/8".....	2
14	626448		CASTELLATED NUT, M16 - 1.5.....	2
15	10387G1		COTTER PIN, 0.125" X 1.5" LG.....	2

REAR SUSPENSION



REAR SUSPENSION

THE USE OF NON U.L. PARTS WILL VOID ANY U.L. LISTING.

When ordering parts, please specify the model and serial number of the product.

* Indicates a component that is not available as an individual part.

*** Indicates consult Customer Service Department for additional information.

ITEM	PART NO.	1 2 3 4 5	DESCRIPTION	QTY.
1	632179		STRUT ASSEMBLY REAR (DRIVER SIDE) (INCLUDES ITEMS 3 - 25).....	1
2	632453		STRUT ASSEMBLY REAR (PASSENGER SIDE) (INCLUDES ITEMS 5 - 27)	1
3	632410G01		STRUT BASE (DRIVER SIDE).....	1
4	616439		HYDRAULIC BRAKE CALIPER (DRIVER SIDE).....	1
5	616041		WHEEL BEARING.....	1
6	616044		HUB ASSEMBLY.....	1
7	616451		BRAKE CALIPER BRACKET.....	1
8	616064		STRUT BALL JOINT.....	1
9	616040		STRUT SHOCK (LONG).....	1
10	616073		STRUT BUMP STOPS.....	1
11	616053		SPRING WASHER, 2.63".....	1
12	616596		SOCKET HEAD BOLT, 3/8" - 24 X 3/4" LG.....	2
13	616672		HEX HEAD BOLT, M8 - 1.25 X 60MM LG.....	2
14	616673		LOCK NUT, M8 - 1.25.....	2
15	630804G01		HEX HEAD FLANGED BOLT, 5/16" - 18 X 2" LG.....	2
16	630803		LOCK NUT, 5/16" - 18.....	2
17	103867		FLAT WASHER, 0.31".....	4
18	12730G1		BEARING GREASE (NOT ILLUSTRATED).....	AR
19	18659G3		THREAD LOCKING ADHESIVE (NOT ILLUSTRATED).....	AR
20	616063		COIL SPRING.....	1
21	634928		STEERING ARM.....	1
22	632405		GREASE FITTING.....	1
23	634936G01		SPRING SPACER, 1.13".....	1
24	632409		SNAP RING, 2.38".....	1
25	616597		FLAT HEAD TORX SCREW, 1/4" - 20 X 3/4" LG.....	2
26	632410G02		STRUT BASE (PASSENGER SIDE).....	1
27	616440		HYDRAULIC BRAKE CALIPER (PASSENGER SIDE).....	1
28				
29				
30				
31				

REAR SUSPENSION

THE USE OF NON U.L. PARTS WILL VOID ANY U.L. LISTING.
 When ordering parts, please specify the model and serial number of the product.
 * Indicates a component that is not available as an individual part.
 *** Indicates consult Customer Service Department for additional information.

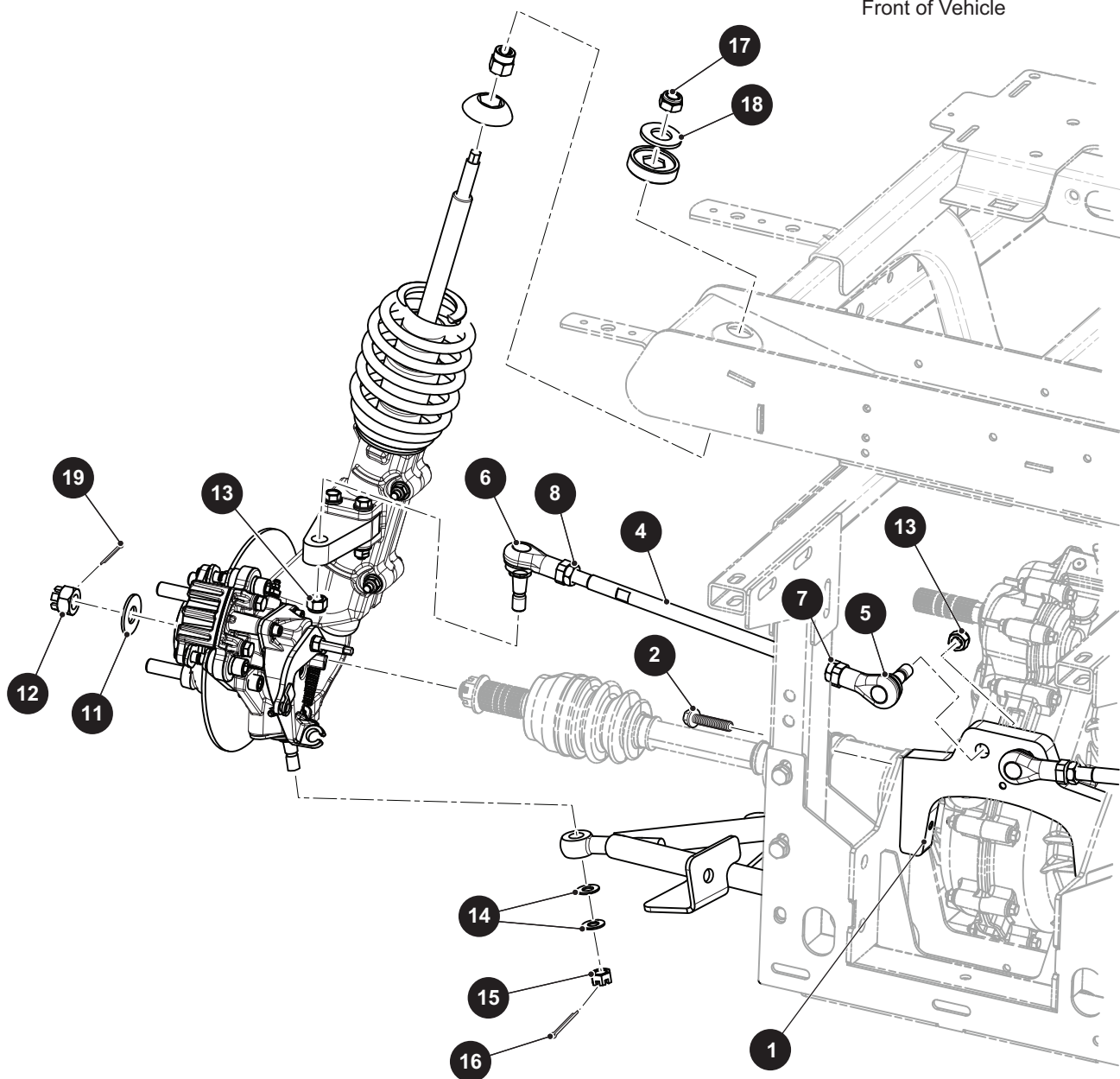
ITEM	PART NO.	1 2 3 4 5	DESCRIPTION	QTY.
32	632591		A - ARM SWAY BAR ASSEMBLY (INCLUDES ITEMS 33 - 34)	2
33	634985		A - ARM SWAY BAR	1
34	10389G3		GREASE FITTING	2
35				
36				
37	616036		BUSHING, 0.84" X 0.7" LG	8
38	14158G1		SHOULDER BOLT, 3/8" - 16 X 2 3/4" LG	4
39	12262G1		LOCK NUT, 3/8" - 16	4

REAR SUSPENSION

3 TIE ROD ASSEMBLY includes items 4 - 8



Front of Vehicle



REAR SUSPENSION

THE USE OF NON U.L. PARTS WILL VOID ANY U.L. LISTING.

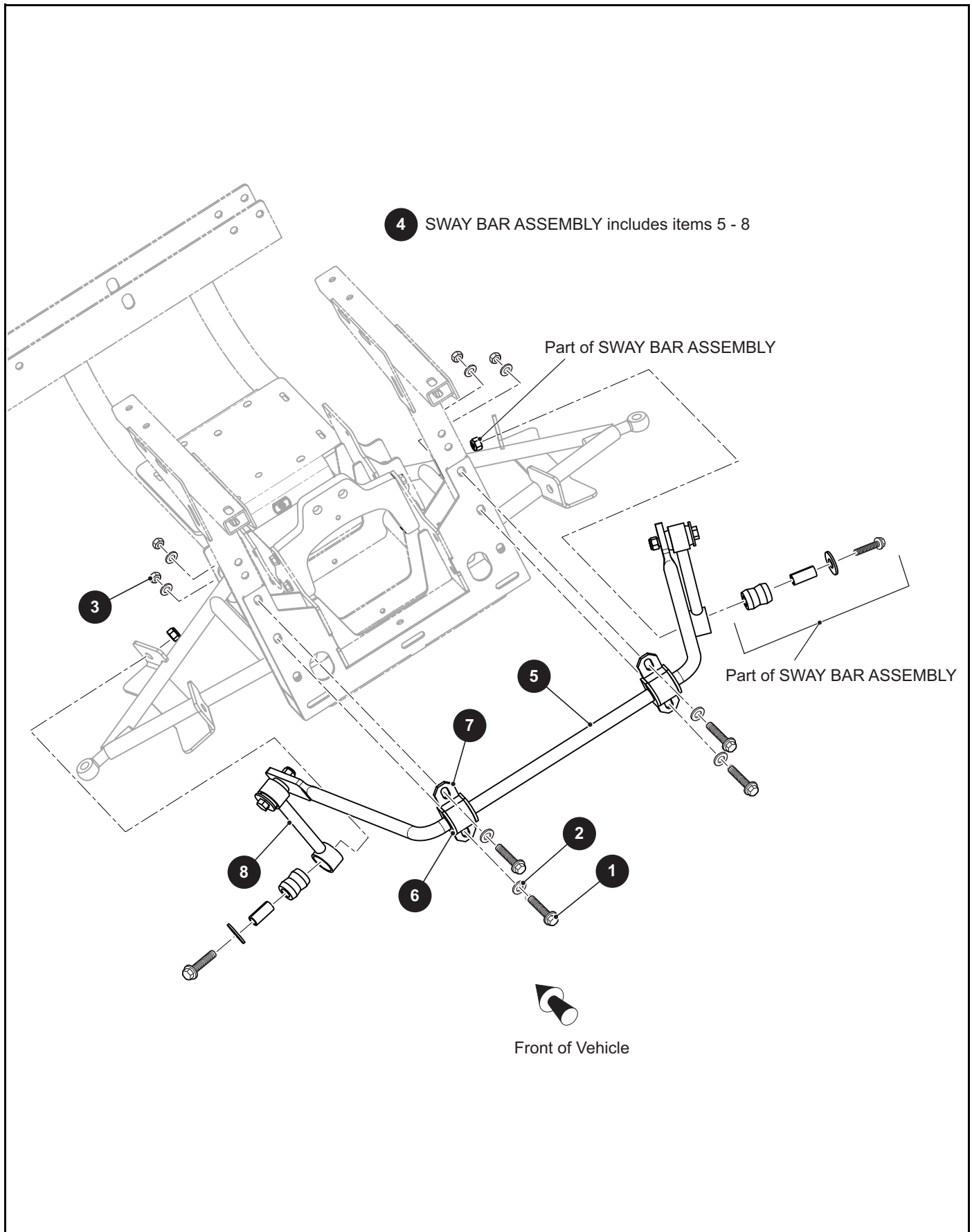
When ordering parts, please specify the model and serial number of the product.

* Indicates a component that is not available as an individual part.

*** Indicates consult Customer Service Department for additional information.

ITEM	PART NO.	1 2 3 4 5	DESCRIPTION	QTY.
1	634721		STEERING ROD MOUNTING BRACKET	1
2	13437G3		HEX HEAD FLANGED BOLT, 5/16" - 18 X 1" LG	4
3	633535		TIE ROD ASSEMBLY (INCLUDES ITEMS 4 - 8).....	2
4	632114		THREADED TIE ROD	1
5	70902G01		TIE ROD END (DRIVER SIDE)	1
6	70902G02		TIE ROD END (PASSENGER SIDE).....	1
7	01069G01		JAM NUT, M12 - 1.25 (DRIVER SIDE).....	1
8	01069G02		JAM NUT, M12 - 1.25 (PASSENGER SIDE)	1
9				
10				
11	616052		HUB WASHER, 1.47".....	2
12	626448		CASTELLATED NUT, M16 - 1.5.....	2
13	00734G1		LOCK NUT, 7/16" - 14.....	4
14	306981		FLAT WASHER, 0.41".....	4
15	608005		CASTLE NUT, M12 - 1.25.....	2
16	00798G3		COTTER PIN, 3/32" X 1/2" LG.....	2
17	625748		LOCK NUT, 1/2" - 13.....	2
18	616701		RUBBER WASHER, 1.5"	2
19	10387G1		COTTER PIN, 0.125" X 1.5" LG.....	2

REAR SUSPENSION



REAR SUSPENSION

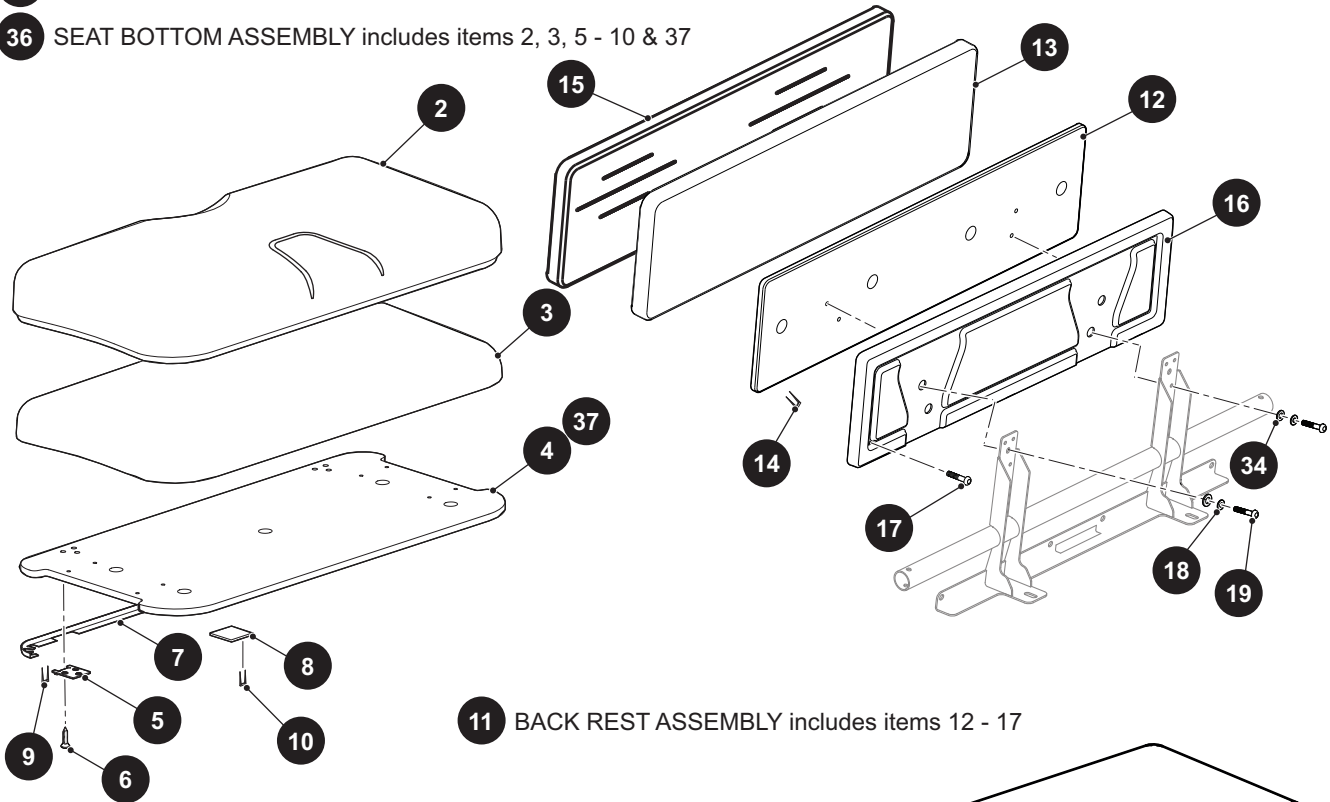
THE USE OF NON U.L. PARTS WILL VOID ANY U.L. LISTING.
 When ordering parts, please specify the model and serial number of the product.
 * Indicates a component that is not available as an individual part.
 *** Indicates consult Customer Service Department for additional information.

ITEM	PART NO.	1 2 3 4 5	DESCRIPTION	QTY.
1	00428G8		HEX HEAD BOLT, 3/8" - 16 X 3" LG	4
2	00560G1		FLAT WASHER, 3/8"	8
3	11098G5		LOCK NUT, 3/8" - 16	4
4	633852		SWAY BAR ASSEMBLY (INCLUDES ITEMS 5 - 8).....	1
5	633473		SWAY BAR	1
6	633953		SWAY BAR BUSHING, 0.75" DIA.....	2
7	632380		SWAY BAR BUSHING BRACKET.....	2
8	635472		SWAY BAR LINK ASSEMBLY	2

SEATING

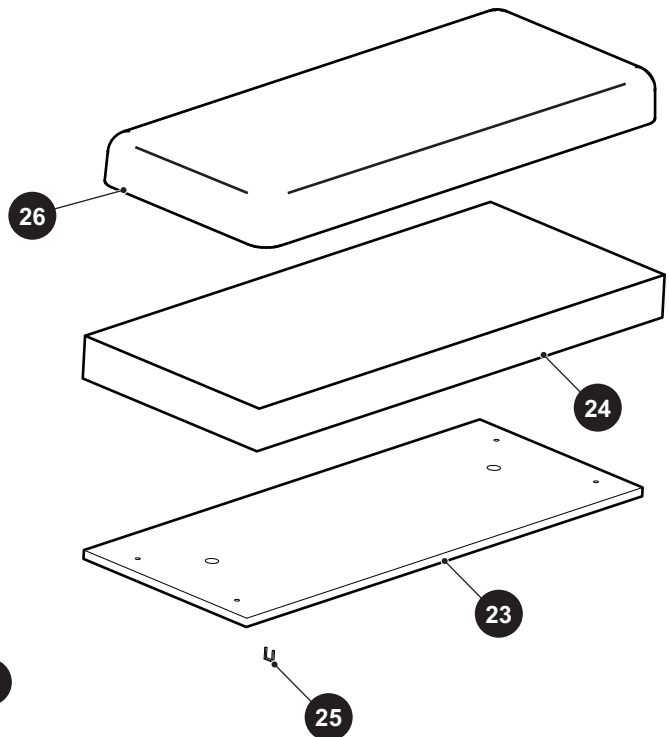
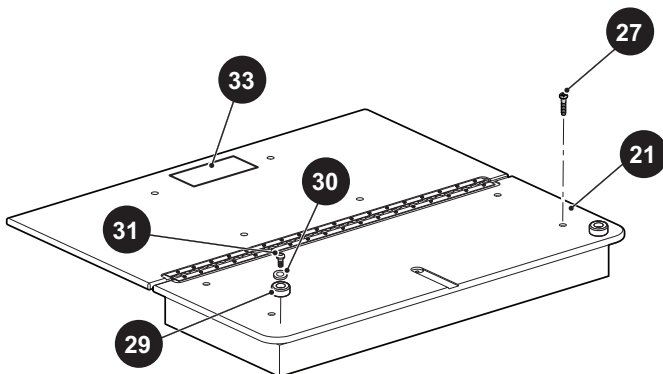
1 SEAT BOTTOM ASSEMBLY includes items 2 - 10

36 SEAT BOTTOM ASSEMBLY includes items 2, 3, 5 - 10 & 37



11 BACK REST ASSEMBLY includes items 12 - 17

20 SEAT BOTTOM ASSEMBLY includes items 21 - 27



22 SEAT BOTTOM ASSEMBLY includes items 23 - 26

THE USE OF NON U.L. PARTS WILL VOID ANY U.L. LISTING.

When ordering parts, please specify the model and serial number of the product.

* Indicates a component that is not available as an individual part.

*** Indicates consult Customer Service Department for additional information.

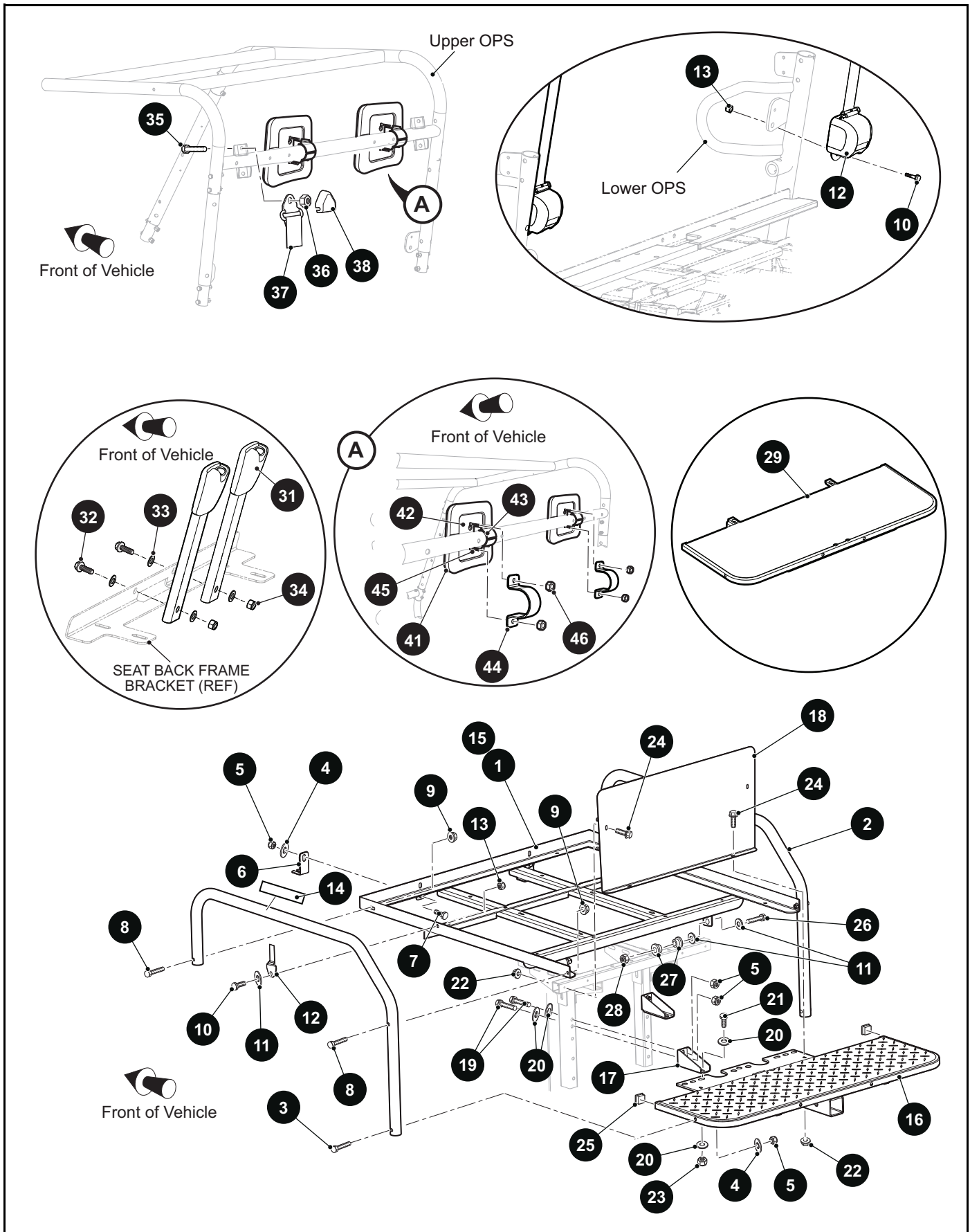
ITEM	PART NO.	1 2 3 4 5	DESCRIPTION	QTY.
1	***		SEAT BOTTOM ASSEMBLY (INCLUDES ITEMS 2 - 10)..... 629269G1306 BLACK	1
2	***		VINYL SEAT BOTTOM ASSEMBLY 615169 BLACK	1
3	605503		SEAT BOTTOM FOAM.....	1
4	76411G01		SEAT BOTTOM WOOD.....	1
5	71610G01		SEAT HINGE	2
6	00720G08		FLAT HEAD PHILLIPS SCREW, #12 - 14 X 1" LG	6
7	71012G01		SEAT BOTTOM TRIM	1
8	17074G1		SOILING SLAB.....	2
9	*		FLAT STAPLE.....	AR
10	*		FLAT STAPLE.....	AR
11	***		BACK REST ASSEMBLY (INCLUDES ITEMS 12 - 17)..... 71274G02 BLACK	2
12	76410G01		SEAT BACK PLYWOOD.....	1
13	25433G4		SEAT BACK FOAM	1
14	*		FLAT STAPLE.....	AR
15	***		SEAT COVER..... 74889G01 BLACK	1
16	***		BACK REST COVER	1
			18144G4 BLACK	
17	01107G01		PAN HEAD TORX SCREW, #8 X 5/8" LG	4
18	00664G7		LOCK WASHER, 1/4"	4
19	16705G1		TRUSS HEAD PHILLIPS SCREW (SS), 1/4" - 20 X 1" LG	4
20	***		SEAT BOTTOM ASSEMBLY (INCLUDES ITEMS 21 - 27)..... 629654 BLACK	1
21	627157		HINGED DECK BOARD ASSEMBLY.....	1
22	***		SEAT BOTTOM ASSMBLY (INCLUDES ITEMS 23 - 26)..... 621036 BLACK	1
23	617400		SEAT BOTTOM PLYWOOD.....	1
24	617401		SEAT BACK FOAM.....	1
25	23222G1		FLAT STAPLE	75
26	***		VINYL SEAT BOTTOM	1
			615648 BLACK	

SEATING

THE USE OF NON U.L. PARTS WILL VOID ANY U.L. LISTING.
 When ordering parts, please specify the model and serial number of the product.
 * Indicates a component that is not available as an individual part.
 *** Indicates consult Customer Service Department for additional information.

ITEM	PART NO.	1 2 3 4 5	DESCRIPTION	QTY.
27	16705G1		TRUSS HEAD MACHINE SCREW (SS), 1/4" - 20 X 1" LG	4
28				
29	619756		RUBBER BUMPER	2
30	616671		FLAT WASHER, 8MM	2
31	800344		TAPPING SCREW	2
32	17618G1		NYLON CLAMP (NOT ILLUSTRATED).....	1
33	628942		FLIP SEAT BED LOAD DECAL.....	1
34	01110G01		FLAT WASHER, 1/4"	4
35				
36	***		SEAT BOTTOM ASSEMBLY (INCLUDES ITEMS 2, 3, 5 - 10 & 37) 637288 BLACK.....	1
37	636645		SEAT BOTTOM WOOD	1

SEATING



THE USE OF NON U.L. PARTS WILL VOID ANY U.L. LISTING.

When ordering parts, please specify the model and serial number of the product.

* Indicates a component that is not available as an individual part.

*** Indicates consult Customer Service Department for additional information.

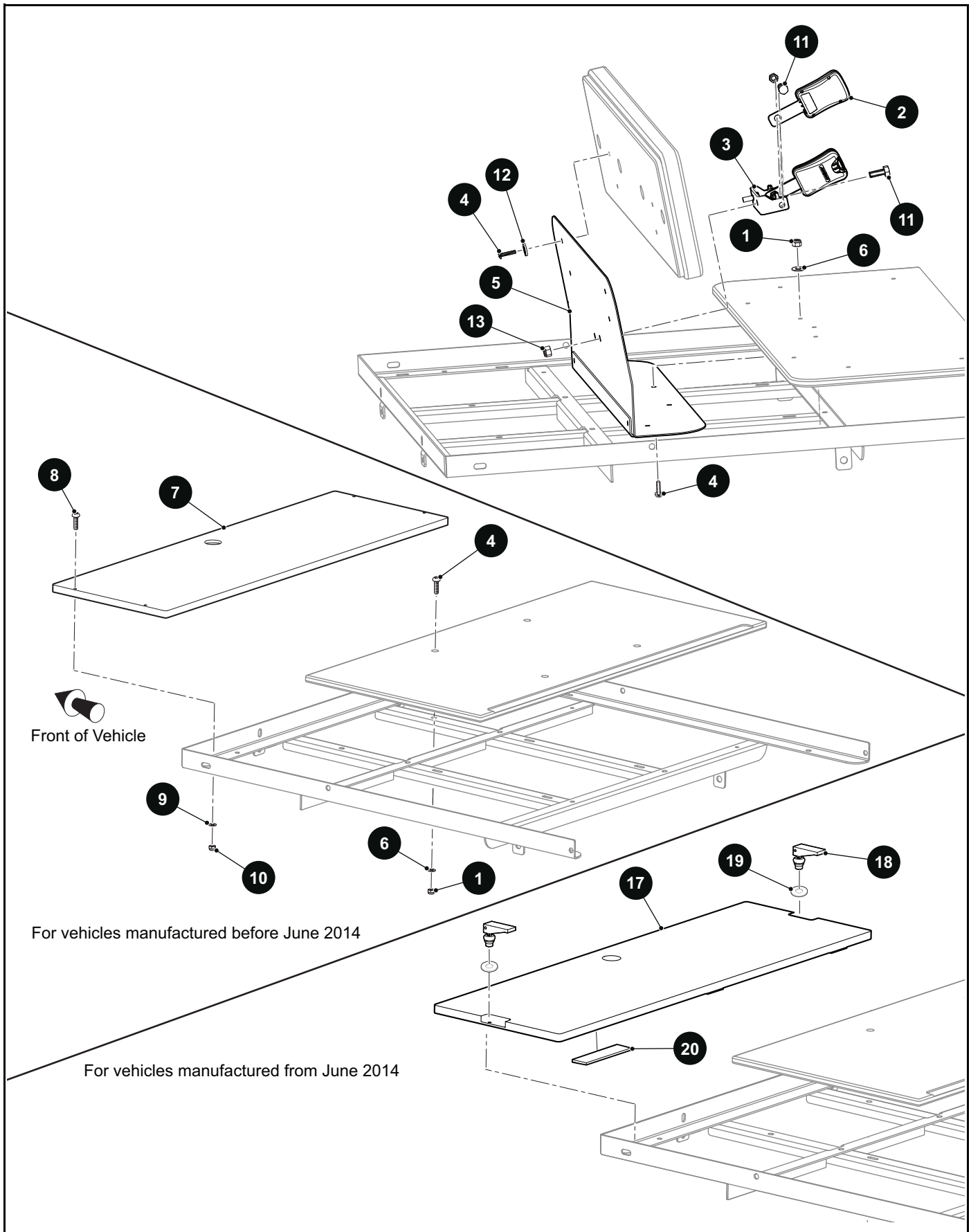
ITEM	PART NO.	1 2 3 4 5	DESCRIPTION	QTY.
1	640259		SEAT FRAME	1
2	627783		REAR SEAT ARMREST	2
3	00665G9		HEX HEAD BOLT (SS), 3/8" - 16 X 3 1/2" LG	2
4	00560G1		FLAT WASHER, 3/8"	4
5	11098G5		LOCK NUT, 3/8" - 16	8
6	627797		SEAT FRAME BRACKET	2
7	00427G2		HEX HEAD BOLT, 3/8" - 16 X 1 1/4" LG	2
8	00427G8		HEX HEAD BOLT, 3/8" - 16 X 2" LG	4
9	11027G5		LOCK NUT, 3/8" - 16	4
10	610753		HEX HEAD BOLT, 7/16" - 20 X 1" LG	4
11	00560G3		FLAT WASHER, 1/2"	6
12	635789		SEAT BELT RETRACTOR, 112"	2
13	00734G3		LOCK NUT, 7/16" - 20	4
14	628943		WARNING DECAL	2
15	627796		SEAT FRAME	1
16	632727		FOOTBOARD WELDMENT	1
17	632262		FOOTREST SUPPORT BRACKET	2
18	633131		CLOSE-OUT PANEL	1
19	630674		HEX HEAD BOLT, 3/8" - 16 X 2.5" LG	4
20	00560G2		FLAT WASHER, 7/16"	8
21	00463G4		HEX HEAD BOLT, 7/16" - 14 X 1 1/2" LG	2
22	601476		LOCK NUT, M6 - 1	4
23	00734G1		LOCK NUT, 7/16" - 14	2
24	606264		HEX HEAD BOLT, M6 - 1 X 20MM LG	4
25	19853G1		TUBE CAP, 1" SQ	2
26	311398		HEX HEAD BOLT, 1/2" - 13 X 3.5" LG	2
27	624030		FLANGED BUSHING, 13.4MM I.D. X 28.7MM O.D. X 23.7MM LG	4
28	14390G6		LOCK NUT, 1/2" - 13	2
29	628552		FOOTREST WELDMENT	1
30				
31	631973		BUCKLE AND BRACKET ASSEMBLY	2

SEATING

THE USE OF NON U.L. PARTS WILL VOID ANY U.L. LISTING.
 When ordering parts, please specify the model and serial number of the product.
 * Indicates a component that is not available as an individual part.
 *** Indicates consult Customer Service Department for additional information.

ITEM	PART NO.	1 2 3 4 5	DESCRIPTION	QTY.
32	635630		HEX HEAD BOLT, 7/16" - 20 X 1 1/4" LG.....	2
33	00560G2		FLAT WASHER, 3/8"	4
34	00734G3		LOCK NUT, 7/16" - 20	2
35	628995		HEX HEAD BOLT, 7/16" - 20 X 2 3/4" LG.....	2
36	00734G3		LOCK NUT, 7/16" - 20	2
37	*		D-RING.....	2
38	*		D-RING COVER	2
39				
40				
41	628577		HEADREST	2
42	629666		HEADREST PLATE	2
43	629642		GROUND CLAMP (PLASTIC).....	2
44	627786		BAR CLAMP	2
45	630763		CARRIAGE BOLT, 1/4" - 20 X 1 1/2" LG	4
46	14390G4		LOCK NUT, 1/4" - 20	4

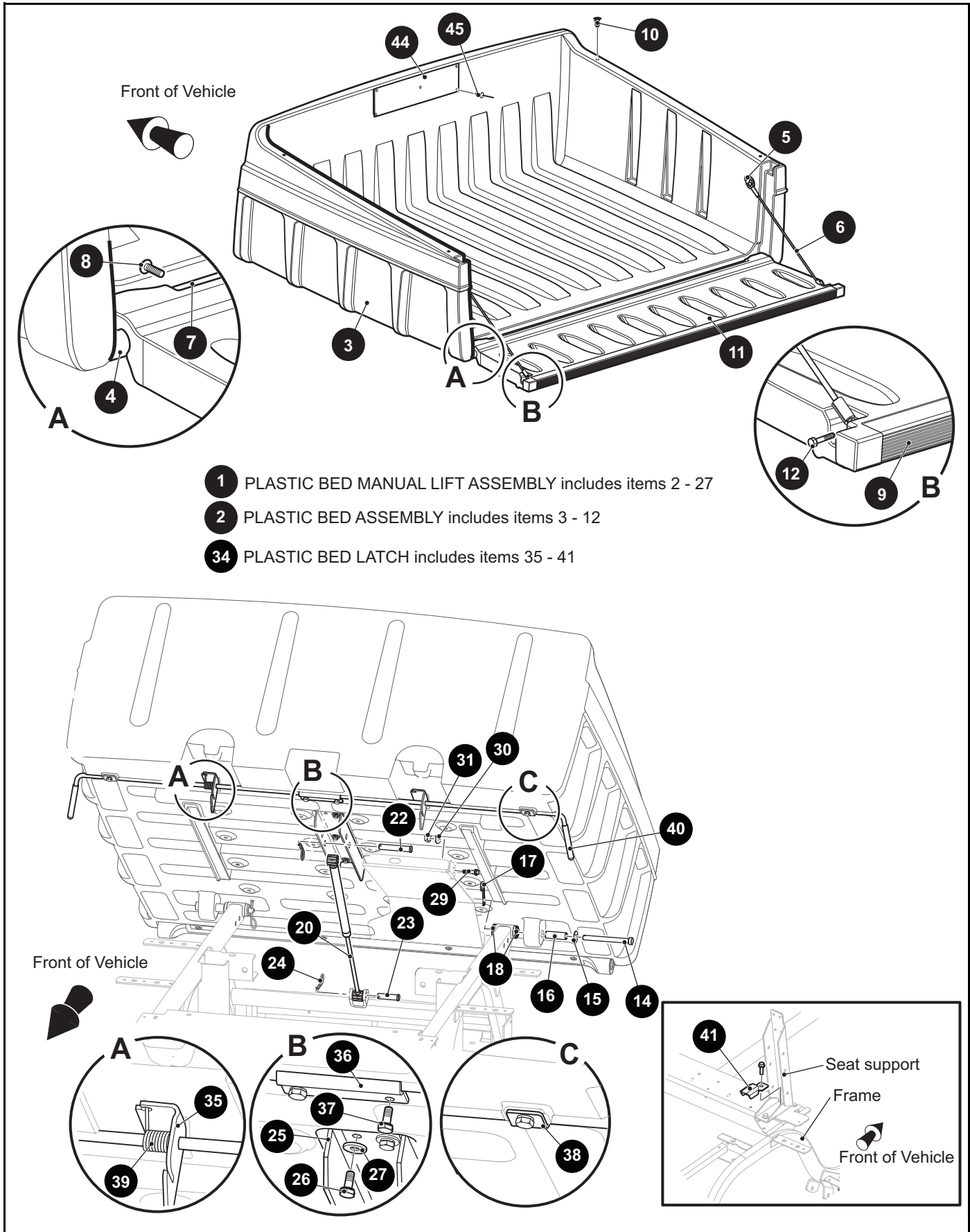
SEATING



THE USE OF NON U.L. PARTS WILL VOID ANY U.L. LISTING.
 When ordering parts, please specify the model and serial number of the product.
 * Indicates a component that is not available as an individual part.
 *** Indicates consult Customer Service Department for additional information.

ITEM	PART NO.	1 2 3 4 5	DESCRIPTION	QTY.
1	14390G4		LOCK NUT, 1/4" - 20.....	8
2	609854		SEAT BELT LATCH BUCKLE, 6".....	2
3	609787		REAR SEAT BELT BRACKET.....	1
4	16705G9		PAN HEAD SCREW (SS), 1/4" - 20 X 1 1/4" LG.....	12
5	627804		SEAT BACK WELDMENT.....	1
6	01110G01		FLAT WASHER, 1/4".....	8
7	627809		REAR DECK BOARD.....	1
8	00789G2		TRUSS HEAD PHILLIPS SCREW, #10 - 24 X 1 1/4" LG.....	4
9	00660G5		FLAT WASHER (SS), #10.....	4
10	14390G10		LOCK NUT (PLASTIC), #10 - 24.....	4
11	610753		HEX HEAD BOLT, 7/16" - 20 X 1" LG.....	4
12	00664G7		LOCK WASHER, 1/4".....	4
13	00734G3		LOCK NUT, 7/16" - 20.....	4
14				
15				
16				
17	637994		SWING DECK BOARD FILLER.....	1
18	638060		SWELL LATCH.....	2
19	00793G2		FLAT WASHER (SS), 1/4".....	2
20	640577		RUBBER PAD.....	6

TRUCK BED



THE USE OF NON U.L. PARTS WILL VOID ANY U.L. LISTING.

When ordering parts, please specify the model and serial number of the product.

* Indicates a component that is not available as an individual part.

*** Indicates consult Customer Service Department for additional information.

ITEM	PART NO.	1 2 3 4 5	DESCRIPTION	QTY.
1	633441		PLASTIC BED MANUAL LIFT ASSEMBLY (INCLUDES ITEMS 2 - 27)	1
2	73451G01		PLASTIC BED ASSEMBLY (INCLUDES ITEMS 3 - 12)	1
3	*		PLASTIC BED, 40" LG.....	1
4	73454G01		PIVOT SHAFT.....	2
5	73460G01		SHOULDER BOLT, 1/4" - 20 X 3/4" LG.....	2
6	73455G01		TAILGATE CABLE	2
7	73450G01		ANGLE	1
8	16705G2		PAN HEAD SCREW (SS), 1/4" - 20 X 5/8" LG.....	4
9	73449G01		EXTRUSION CHANNEL.....	1
10	16816G5		RATCHET FASTENER, 0.187" X 0.550" LG.....	4
11	73448G01		PLASTIC TAILGATE, 40"	1
12	00415G2		HEX HEAD BOLT, 1/4" - 20 X 1 1/4" LG	2
13				
14	71571G01		CLEVIS PIN, 0.495 X 5.25" LG	2
15	00571G5		FLAT WASHER, 1/2"	2
16	71570G01		ACETAL BUSHING, 3/4" X 2.3" LG	2
17	21683G1		COTTER PIN, 15/32" X 2 11/16" LG	2
18	624030		FLANGED BUSHING, 21.6MM X 16MM LG	4
19				
20	71537G02		GAS SPRING	1
21				
22	14443G10		CLEVIS PIN, 1/2" X 3" LG	1
23	14443G12		CLEVIS PIN, 1/2" X 2.22" LG	1
24	21683G1		COTTER PIN, 15/32" X 2 11/16" LG	2
25	633245		GAS SPRING CHANNEL	1
26	01118G01		HEX HEAD BOLT, 1/4" - 20 X 5/8" LG.....	6
27	00642G7		FLAT WASHER, 1/4"	6
28				
29	00414G7		HEX HEAD BOLT, 1/4" - 20 X 0.88" LG	4
30	00559G7		FLAT WASHER, 1/4".....	4
31	14390G4		LOCK NUT, 1/4" - 20.....	4

TRUCK BED

THE USE OF NON U.L. PARTS WILL VOID ANY U.L. LISTING.

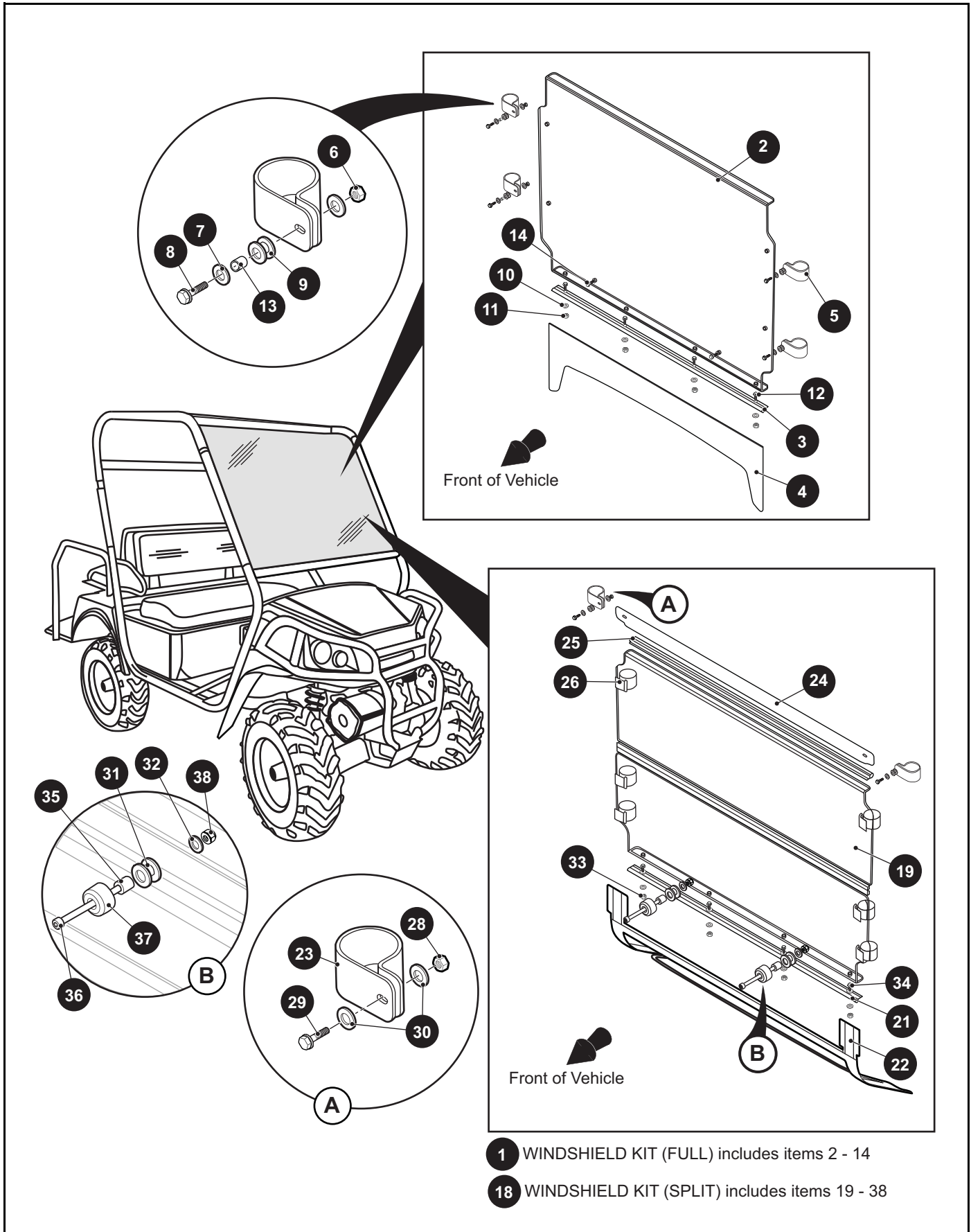
When ordering parts, please specify the model and serial number of the product.

* Indicates a component that is not available as an individual part.

*** Indicates consult Customer Service Department for additional information.

ITEM	PART NO.	1	2	3	4	5	DESCRIPTION	QTY.
32								
33								
34	71095G03						PLASTIC BED LATCH (INCLUDES ITEMS 35 - 41).....	1
35	633698						BED LATCH	1
36	71477G02						RETAINER BRACKET	1
37	01118G01						HEX HEAD BOLT, 1/4" - 20 X 5/8" LG	4
38	71099G02						LATCH PLATE	2
39	71538G01						BED LATCH TORSION SPRING	1
40	71704G01						HANDLE GRIP	2
41	633679						BED BUMPER BRACKET	2
42								
43								
44	74821G01						BED LOAD, PLASTIC BED, 500 LB, DECAL.....	1
45	71055G01						RIVET, 3/16"	5

WEATHER PROTECTION



WEATHER PROTECTION

THE USE OF NON U.L. PARTS WILL VOID ANY U.L. LISTING.

When ordering parts, please specify the model and serial number of the product.

* Indicates a component that is not available as an individual part.

*** Indicates consult Customer Service Department for additional information.

ITEM	PART NO.	1 2 3 4 5	DESCRIPTION	QTY.
1	627079		WINDSHIELD KIT (FULL) (INCLUDES ITEMS 2 - 14)	1
2	*		WINDSHIELD	1
3	*		AWNING MOLDING (ALUMINUM)	1
4	*		TEXTILE SKIRT PLACEHOLDER.....	1
5	*		PLASTIC CLAMP, 1.75"	4
6	*		HEX NUT, M6	6
7	*		WASHER, 6MM.....	12
8	*		HEX HEAD BOLT, M6 X 30MM LG	4
9	*		WINDSHIELD GROMMET	6
10	*		WASHER, 5MM.....	8
11	*		HEX NUT, M5	4
12	*		HEX BOLT, M5 X 0.8 X 20MM LG	4
13	*		CRUSH SLEEVE.....	6
14	*		HEX CAP SCREW, M6 X 65MM LG	2
15				
16				
17				
18	627080		WINDSHIELD KIT (SPLIT) (INCLUDES ITEMS 19 - 38).....	1
19	*		FOLDING WINDSHIELD	1
20				
21	*		AWNING MOLDING (ALUMINUM)	1
22	*		TEXTILE SKIN PLACEHOLDER.....	1
23	*		PLASTIC CLAMP, 1.75"	2
24	*		UPPER METAL SEAL	1
25	*		UNIGRIP, 41.5".....	1
26	*		TEXTILE STRAP.....	6
27				
28	*		HEX NUT, 1/4" - 20.....	2
29	*		HEX HEAD BOLT, 1/4" - 20.....	2
30	*		FLAT WASHER, 6MM	4
31	*		GROMMET	2

WEATHER PROTECTION

THE USE OF NON U.L. PARTS WILL VOID ANY U.L. LISTING.

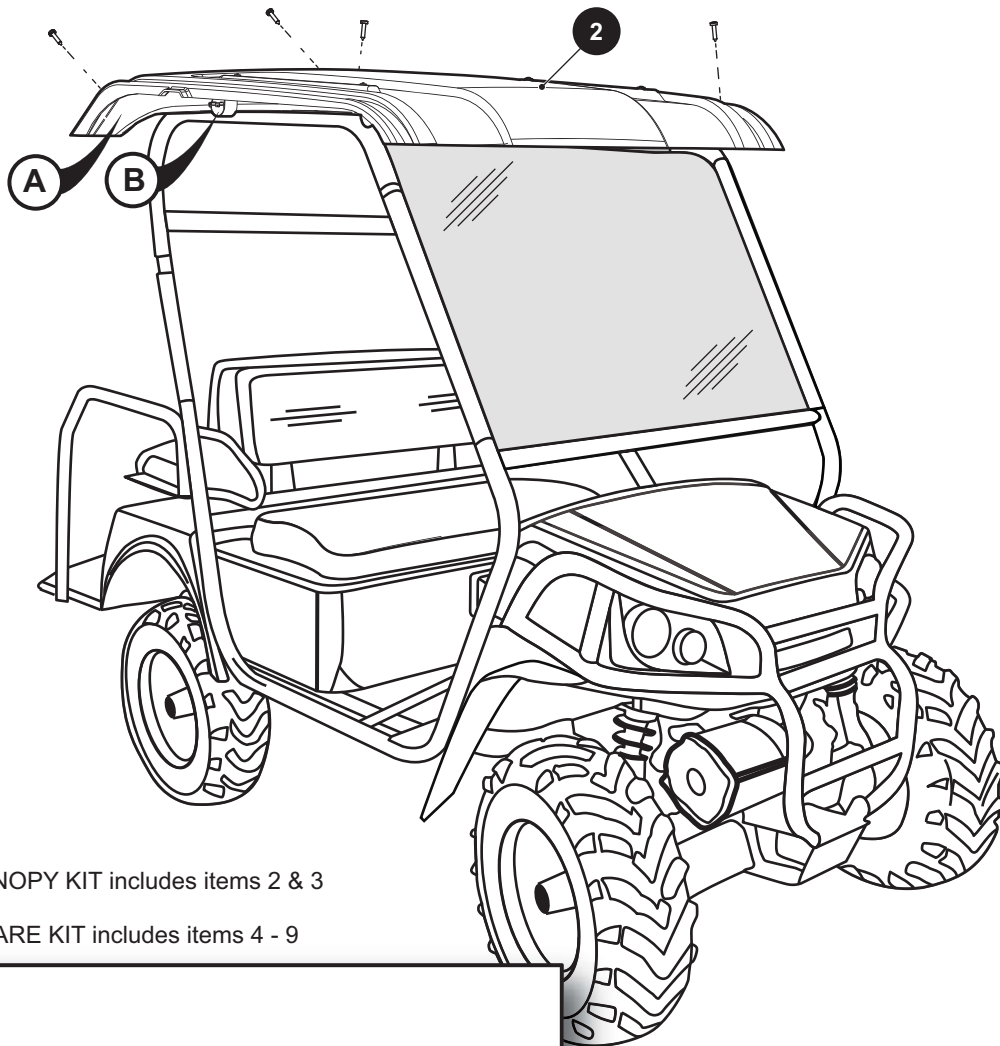
When ordering parts, please specify the model and serial number of the product.

* Indicates a component that is not available as an individual part.

*** Indicates consult Customer Service Department for additional information.

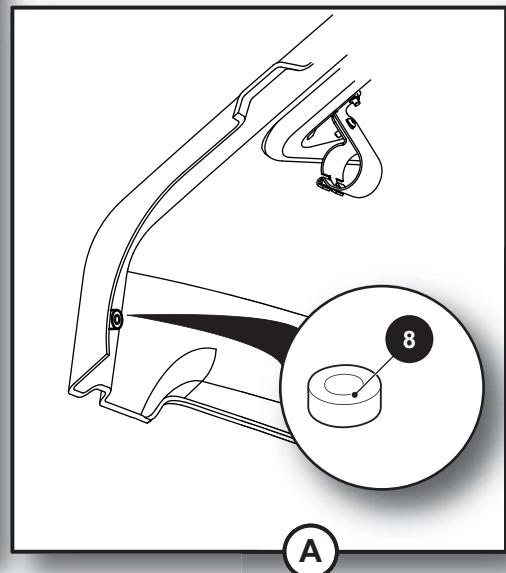
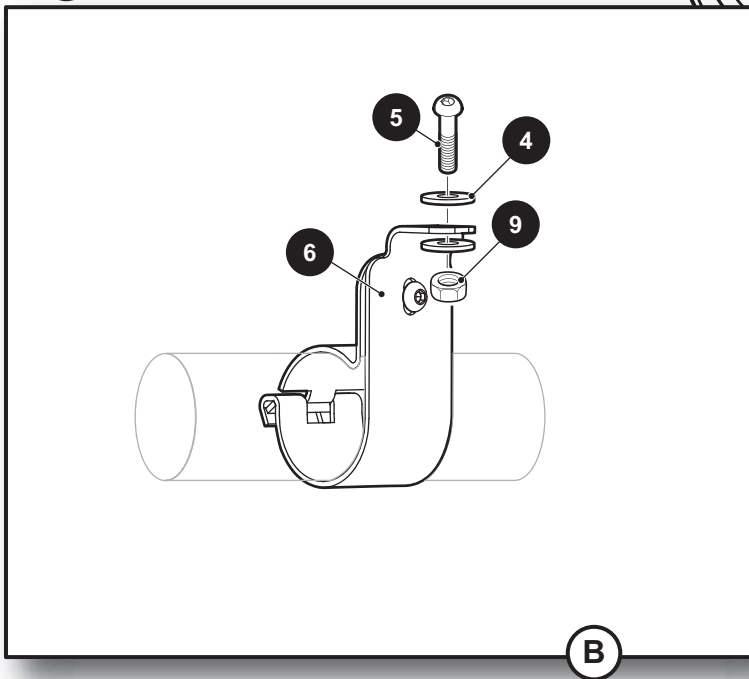
ITEM	PART NO.	1	2	3	4	5	DESCRIPTION	QTY.
32	*						WASHER, 5MM	10
33	*						HEX NUT, M5.....	4
34	*						SCREW, 0.19" - 24	4
35	*						CRUSH SLEEVE	2
36	*						HEX SCREW, 0.19" - 24.....	2
37	*						BUMPER.....	2
38	*						HEX NUT, 0.19" - 24	2

WEATHER PROTECTION



1 TOP CANOPY KIT includes items 2 & 3

3 HARDWARE KIT includes items 4 - 9



WEATHER PROTECTION

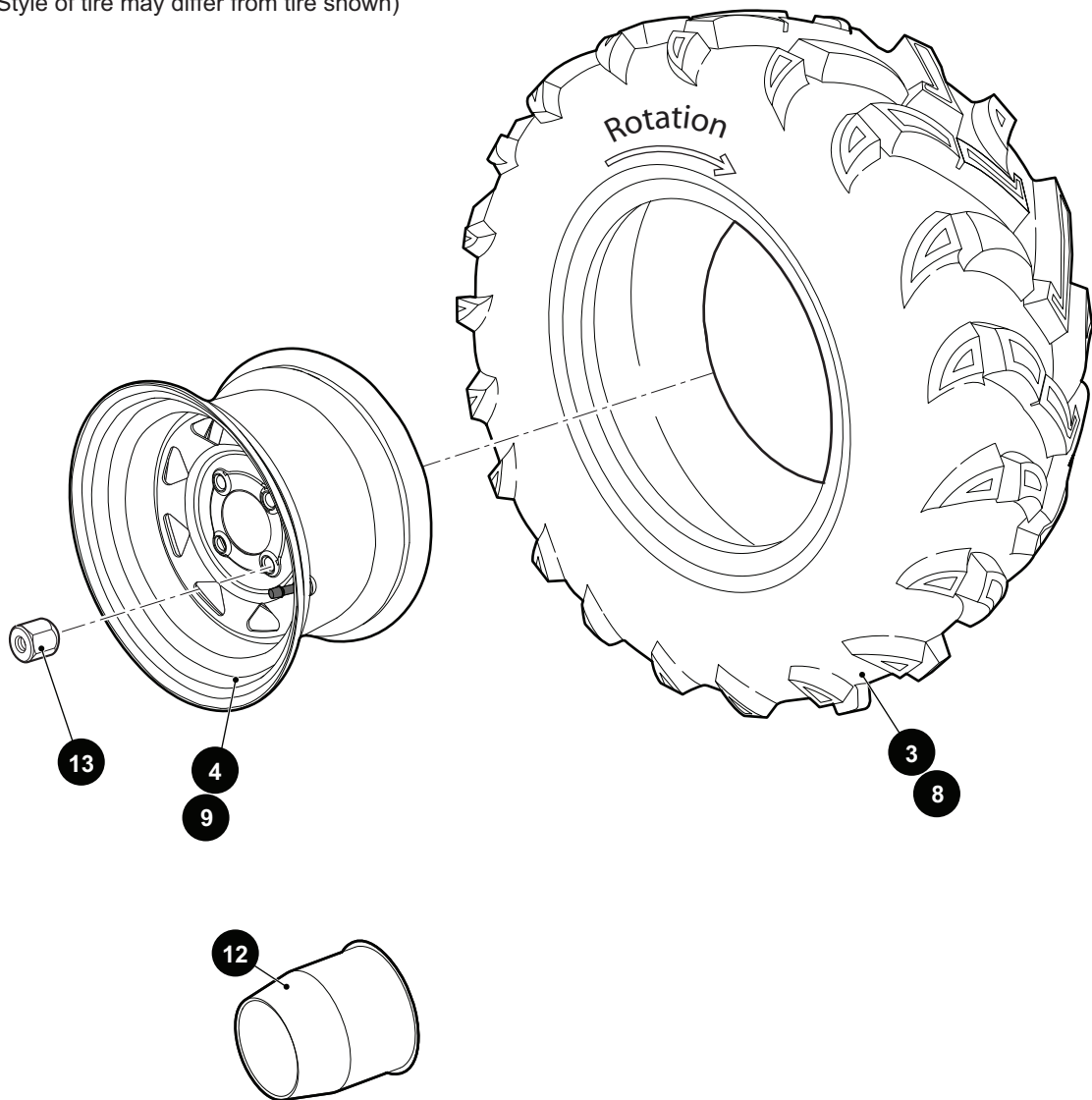
THE USE OF NON U.L. PARTS WILL VOID ANY U.L. LISTING.
 When ordering parts, please specify the model and serial number of the product.
 * Indicates a component that is not available as an individual part.
 *** Indicates consult Customer Service Department for additional information.

ITEM	PART NO.	1 2 3 4 5	DESCRIPTION	QTY.
1	628584		TOP CANOPY KIT (INCLUDES ITEMS 2 & 3)	1
2	627077		TOP CANOPY	1
3	628585		HARDWARE KIT (INCLUDES ITEMS 4 - 9)	1
4	*		WASHER, 1/4"	12
5	*		HEX FLANGED HEAD BOLT, M6 - 1 X 20MM	8
6	*		CLAMP	4
7	*		PUSH RIVETS (NOT ILLUSTRATED)	4
8	*		SPACER	4
9	*		HEX NUT, M6 - 1	4

WHEELS AND TIRES

- 1 BLACK WHEEL AND MUDLITE TIRE ASSEMBLY (STEEL) (DRIVER SIDE) includes items 3, 4
- 2 BLACK WHEEL AND MUDLITE TIRE ASSEMBLY (STEEL) (PASSENGER SIDE) includes items 3, 4
- 7 BLACK WHEEL AND JOURNEY TIRE ASSEMBLY (STEEL) includes items 8, 9

(Style of tire may differ from tire shown)



WHEELS AND TIRES

THE USE OF NON U.L. PARTS WILL VOID ANY U.L. LISTING.

When ordering parts, please specify the model and serial number of the product.

* Indicates a component that is not available as an individual part.

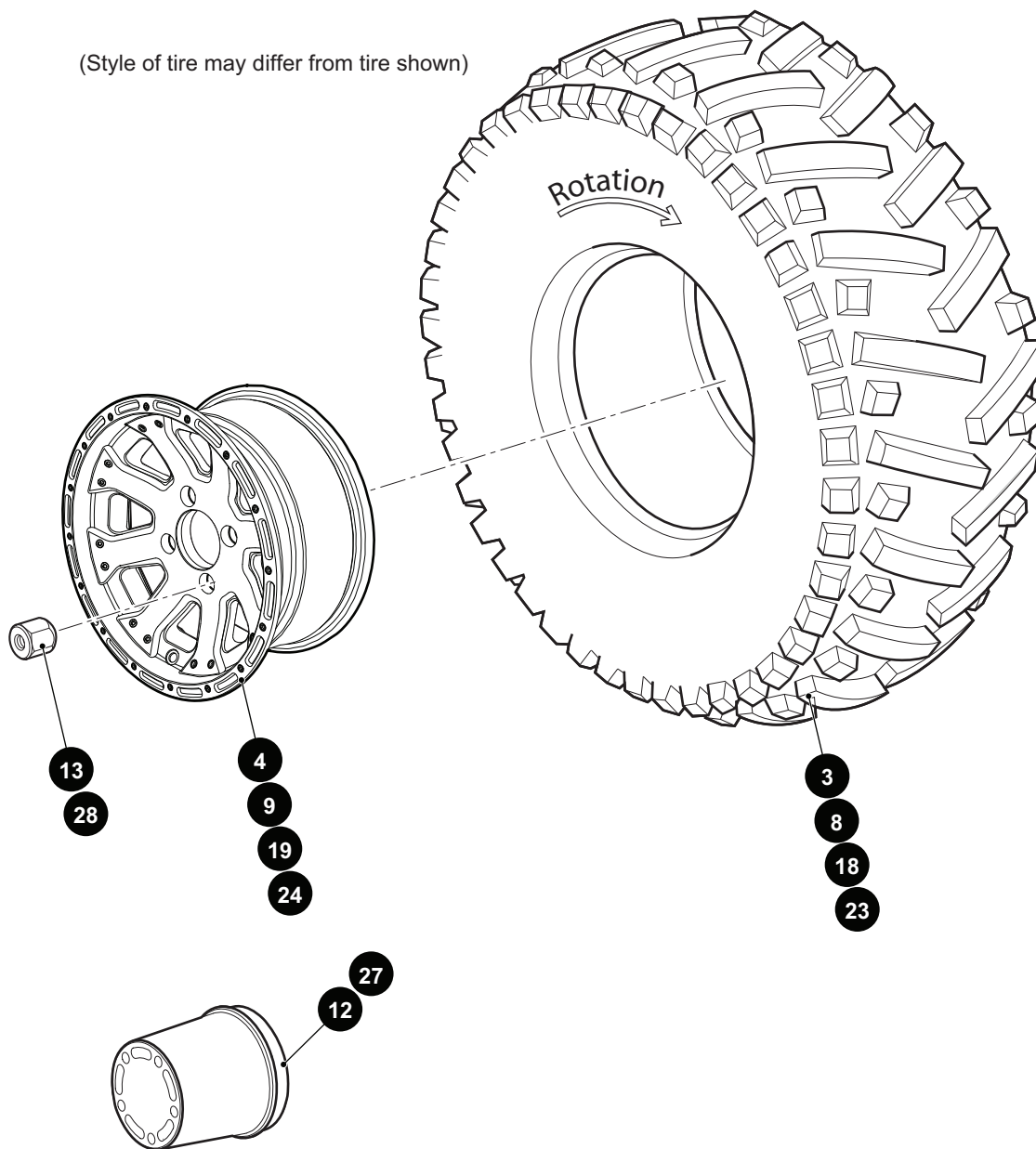
*** Indicates consult Customer Service Department for additional information.

ITEM	PART NO.	1 2 3 4 5	DESCRIPTION	QTY.
1	631042		BLACK WHEEL AND MUDDLITE TIRE ASSEMBLY (STEEL) (DRIVER SIDE) (INCLUDES ITEMS 3, 4).....	2
2	631045		BLACK WHEEL AND MUDDLITE TIRE ASSEMBLY (STEEL) (PASSENGER SIDE) (INCLUDES ITEMS 3, 4).....	2
3	616120		MUDDLITE TIRE, 25 X 10 X 12.....	1
4	631041		WHEEL RIM (STEEL), 12 X 7.....	1
5				
6				
7	631048		BLACK WHEEL AND JOURNEY TIRE ASSEMBLY (STEEL) (INCLUDES ITEMS 8, 9).....	4
8	627556		JOURNEY TIRE, 25 X 10 X 12.....	1
9	631041		WHEEL RIM (STEEL), 12 X 7.....	1
10				
11				
12	630268		BLACK CENTER WHEEL CAP.....	4
13	14723G1		LUG NUT, 1/2" - 20.....	16

WHEELS AND TIRES

- 1 BLACK WHEEL AND MUDLITE TIRE ASSEMBLY (DRIVER SIDE) includes items 3, 4
- 2 BLACK WHEEL AND MUDLITE TIRE ASSEMBLY (ALUMINUM) (PASSENGER SIDE) includes items 3, 4
- 7 BLACK WHEEL AND JOURNEY TIRE ASSEMBLY (ALUMINUM) includes items 8, 9
- 16 BRUSHED WHEEL AND MUDLITE TIRE ASSEMBLY (ALUMINUM) (DRIVER SIDE) includes items 18, 19
- 17 BRUSHED WHEEL AND MUDLITE TIRE ASSEMBLY (ALUMINUM) (PASSENGER SIDE) includes items 18, 19
- 22 BRUSHED WHEEL AND JOURNEY TIRE ASSEMBLY (ALUMINUM) includes items 23, 24

(Style of tire may differ from tire shown)



WHEELS AND TIRES

THE USE OF NON U.L. PARTS WILL VOID ANY U.L. LISTING.
 When ordering parts, please specify the model and serial number of the product.
 * Indicates a component that is not available as an individual part.
 *** Indicates consult Customer Service Department for additional information.

ITEM	PART NO.	1 2 3 4 5	DESCRIPTION	QTY.
1	616825		BLACK WHEEL AND MUDLITE TIRE ASSEMBLY (ALUMINUM) (DRIVER SIDE) (INCLUDES ITEMS 3, 4)	2
2	616824		BLACK WHEEL AND MUDLITE TIRE ASSEMBLY (ALUMINUM) (PASSENGER SIDE) (INCLUDES ITEMS 3, 4).....	2
3	616120		MUDLITE TIRE, 25 X 10 X 12.....	1
4	616116		BLACK WHEEL RIM (ALUMINUM), 12 X 7	1
5				
6				
7	627555		BLACK WHEEL AND JOURNEY TIRE ASSEMBLY (ALUMINUM) (INCLUDES ITEMS 8, 9).....	4
8	627556		JOURNEY TIRE, 25 X 10 X 12	1
9	616116		BLACK WHEEL RIM (ALUMINUM), 12 X 7	1
10				
11				
12	630106		BLACK CENTER WHEEL CAP (ALUMINUM).....	4
13	616823		LUG NUT (ALUMINUM), 1/2" - 13	16
14				
15				
16	616829		BRUSHED WHEEL AND MUDLITE TIRE ASSEMBLY (ALUMINUM) (DRIVER SIDE) (INCLUDES ITEMS 18, 19)	2
17	616828		BRUSHED WHEEL AND MUDLITE TIRE ASSEMBLY (ALUMINUM) (PASSENGER SIDE) (INCLUDES ITEMS 18, 19).....	2
18	616120		MUDLITE TIRE, 25 X 10 X 12.....	1
19	616114		WHEEL RIM (ALUMINUM), 12 X 7	1
20				
21				
22	630101		BRUSHED WHEEL AND JOURNEY TIRE ASSEMBLY (ALUMINUM) (INCLUDES ITEMS 23, 24).....	4
23	627556		JOURNEY TIRE, 25 X 10 X 12	1
24	616114		WHEEL RIM (ALUMINUM), 12 X 7	1
25				
26				
27	614272		CENTER CAP	4

WHEELS AND TIRES

THE USE OF NON U.L. PARTS WILL VOID ANY U.L. LISTING.

When ordering parts, please specify the model and serial number of the product.

* Indicates a component that is not available as an individual part.

*** Indicates consult Customer Service Department for additional information.

ITEM	PART NO.	1 2 3 4 5	DESCRIPTION	QTY.
28	605310		LUG NUT (CHROME), 1/2" - 20	16
29				
30				
31	631744		WHEEL SPACER (8 HOLES) (NOT ILLUSTRATED).....	2



Bad Boy Buggies
1451 Marvin Griffin Road,
Augusta, Georgia, USA 30906-3852

TO CONTACT US
E-mail: info@badboybuggies.com
For parts and repair contact your local dealer.
To locate a local dealer please go online to our website:
www.BADBOYBUGGIES.COM

Copyrighted Material
This manual may not be reproduced in whole or
in part without the express permission of
E-Z-GO Division of Textron Inc.
Technical Communications Department
All rights reserved