



SERVICE PARTS MANUAL

699654-A
ISSUED OCTOBER 2019

STAMPEDE 4x4

SERVICE PARTS MANUAL

GASOLINE EFI POWERED VEHICLE

STAMPEDE 4x4

STARTING MODEL YEAR 2020

Never modify the vehicle in any way that will alter the weight distribution of the vehicle, decrease its stability or increase the speed beyond the factory specifications. Such modifications can cause serious personal injury or death. The manufacturer prohibits and disclaims responsibility for any such modifications or any other alteration which would adversely affect the safety of the vehicle.

The manufacturer reserves the right to incorporate engineering and design changes to products in this manual, without obligation to include these changes on units sold previously.

The information contained in this manual may be revised periodically by the manufacturer and therefore is subject to change without notice.

THE MANUFACTURER DISCLAIMS LIABILITY FOR ERRORS IN THIS MANUAL, and SPECIFICALLY DISCLAIMS LIABILITY FOR INCIDENTAL AND CONSEQUENTIAL DAMAGES resulting from the use of the information and materials in this manual.

These are the original instructions as defined by 2006/42/EC.

www.arcticcat.com

GENERAL INFORMATION

To obtain a copy of the limited warranty applicable to the vehicle, call or write a local Distributor, authorized Branch or the Warranty Department with vehicle serial number and manufacturer code.

The use of non Original Equipment Manufacturer (OEM) approved parts may void the warranty.

Tampering with or adjusting the governor to permit vehicle to operate at above factory specifications will void the vehicle warranty.

When servicing engines, all adjustments and replacement components must be per original vehicle specifications in order to maintain the United States of America Federal and State emission certification applicable at the time of manufacture.

BATTERY PROLONGED STORAGE

All batteries will self discharge over time. The rate of self discharge varies depending on the ambient temperature and the age and condition of the batteries.

A fully charged battery will not freeze in winter temperatures unless the temperature falls below -75° F (-60° C).

BATTERY DISPOSAL

Lead-acid batteries are recyclable. Return whole scrap batteries to distributor, manufacturer or lead smelter for recycling. For neutralized spills, place residue in acid-resistant containers with absorbent material, sand or earth and dispose of in accordance with local, state and federal regulations for acid and lead compounds. Contact local and/or state environmental officials regarding disposal information.

TABLE OF CONTENTS

SECTION	Page No.
HOW TO USE THE SERVICE PARTS MANUAL	V
AIR FILTER	A - 1
EXTENDED CAB	B - 1
BODY	C - 1
BRAKES	D - 1
PEDALS	E - 1
DIRECTION AND DRIVE SELECTOR	F - 1
DRIVETRAIN - FRONT	G - 1
DRIVETRAIN - MID	H - 1
DRIVETRAIN - REAR	J - 1
ENGINE COOLING SYSTEM	K - 1
ELECTRICAL	L - 1
EXHAUST	M - 1
ROPS	N - 1
FRAME	P - 1
FUEL SYSTEM	R - 1
STEERING	S - 1
FRONT SUSPENSION	T - 1
REAR SUSPENSION	U - 1
SEATING	V - 1
TRUCK BED	W - 1
WHEELS AND TIRES	X - 1
DECALS AND LABELS	Y - 1

HOW TO USE THE SERVICE PARTS MANUAL

This manual is divided into several sections:

- GENERAL INFORMATION
- ILLUSTRATED PARTS BREAKDOWN

The first section, GENERAL INFORMATION, contains the following information:

- WARRANTY INFORMATION
- TABLE OF CONTENT
- HOW TO USE THE SERVICE PARTS MANUAL

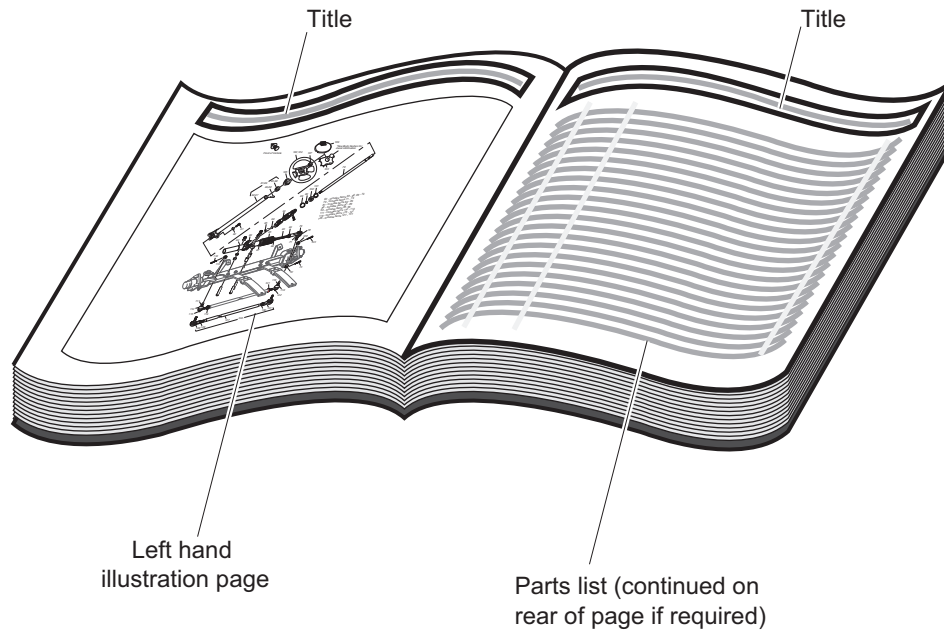
The second section, ILLUSTRATED PARTS BREAKDOWN, contains illustrations and parts lists for all systems of your vehicle.

USE OF THE MANUAL

To use this manual, consult the TABLE OF CONTENTS to locate the information or illustration required.

Introduction of some revisions varies due to supply of components; therefore, it is possible that various combinations of components may be found that are not directly reflected by each illustration. Consult the illustration that best suits your situation and then contact the Service Parts Department. It is important that the serial number or VIN of your vehicle and the model name be supplied to Service Parts when ordering any replacement components.

HOW TO USE THE SERVICE PARTS MANUAL



1. WHEN THE PART NUMBER IS NOT KNOWN

- Determine the function and application of the part required. Turn to the Table of Content and select the most appropriate title.
- Turn to the page number indicated and locate the desired part on the illustration.
- From the illustration, obtain the item number assigned to the desired part. Refer to the accompanying description for specific information regarding the part.

2. IF YOU KNOW THE PART NUMBER

- Locate the part number or description in the appropriate column on the parts list page.

NOTE: It is suggested that you confirm that the part selected is correct by verifying it with the pictorial representation on the illustrated page.

Should an asterisk (*) appear in the part number column on the parts list page, read upwards until a part number is found. The part number is the lowest assembly sold by Service Parts and the asterisk (*) indicates that the part depicted is not available for purchase.

NOTE: Descriptions are indented under the assembly that they are used on. That assembly is, in turn listed under the assembly that it is used on. This process is repeated until the highest final assembly is reached.

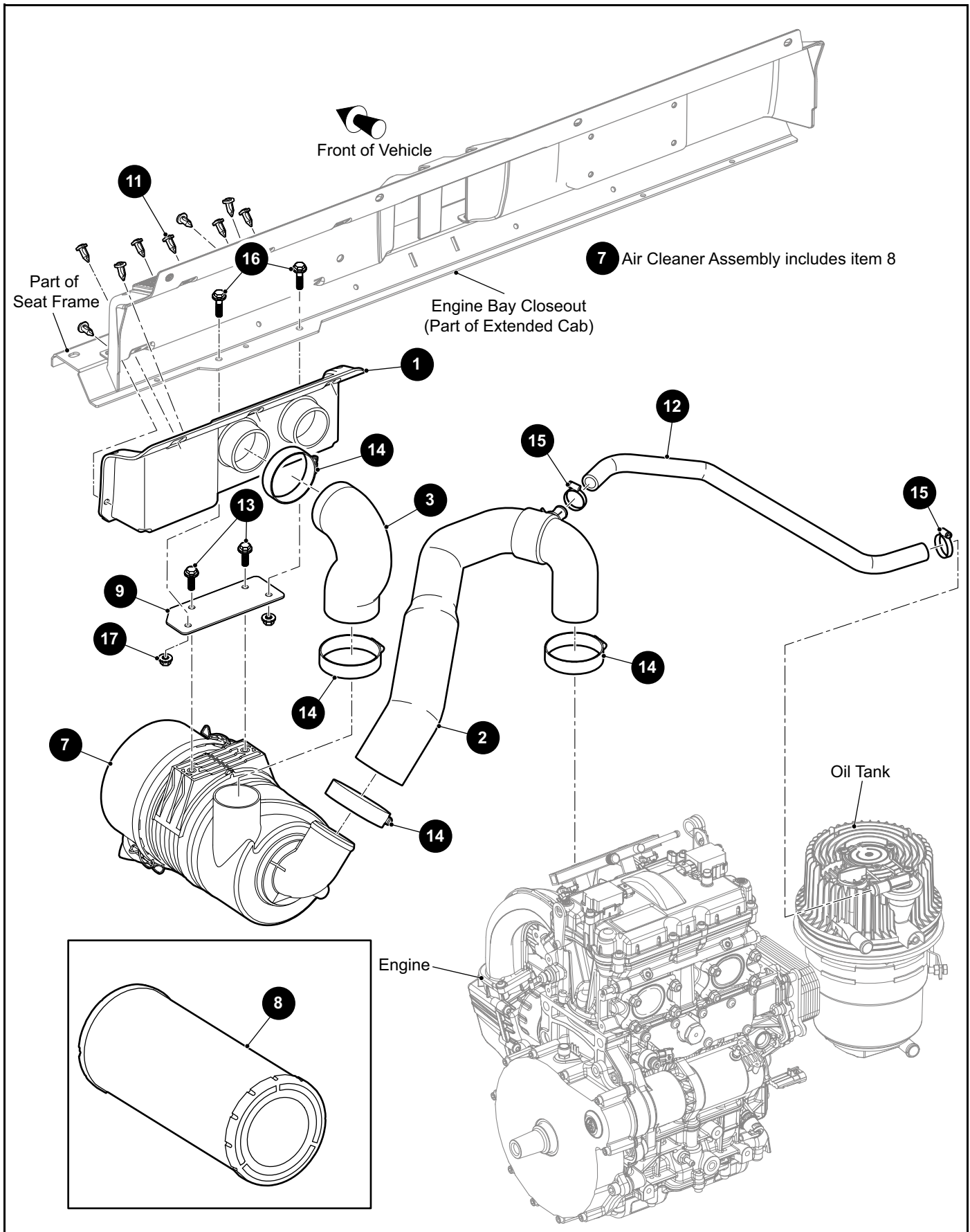
To facilitate the maintenance and repair of the vehicle, a Repair and Service Manual is available from the Service Parts Department.

3. COLOR CODE FOR BODY COMPONENTS

The last two digits of the part number for the body part will denote the color code, locate the part number for the cowl, rear body, seat pod, side panel or seat wrap then locate your color in the list below, replace the last ** or xx with the two digit color code.

<u>CODE #</u>	<u>DESCRIPTION</u>
11	BLACK
90	ARCTIC CAT BLACK
97	BLACK TEXTURE

AIR FILTER



THE USE OF NON U.L. PARTS WILL VOID ANY U.L. LISTING.

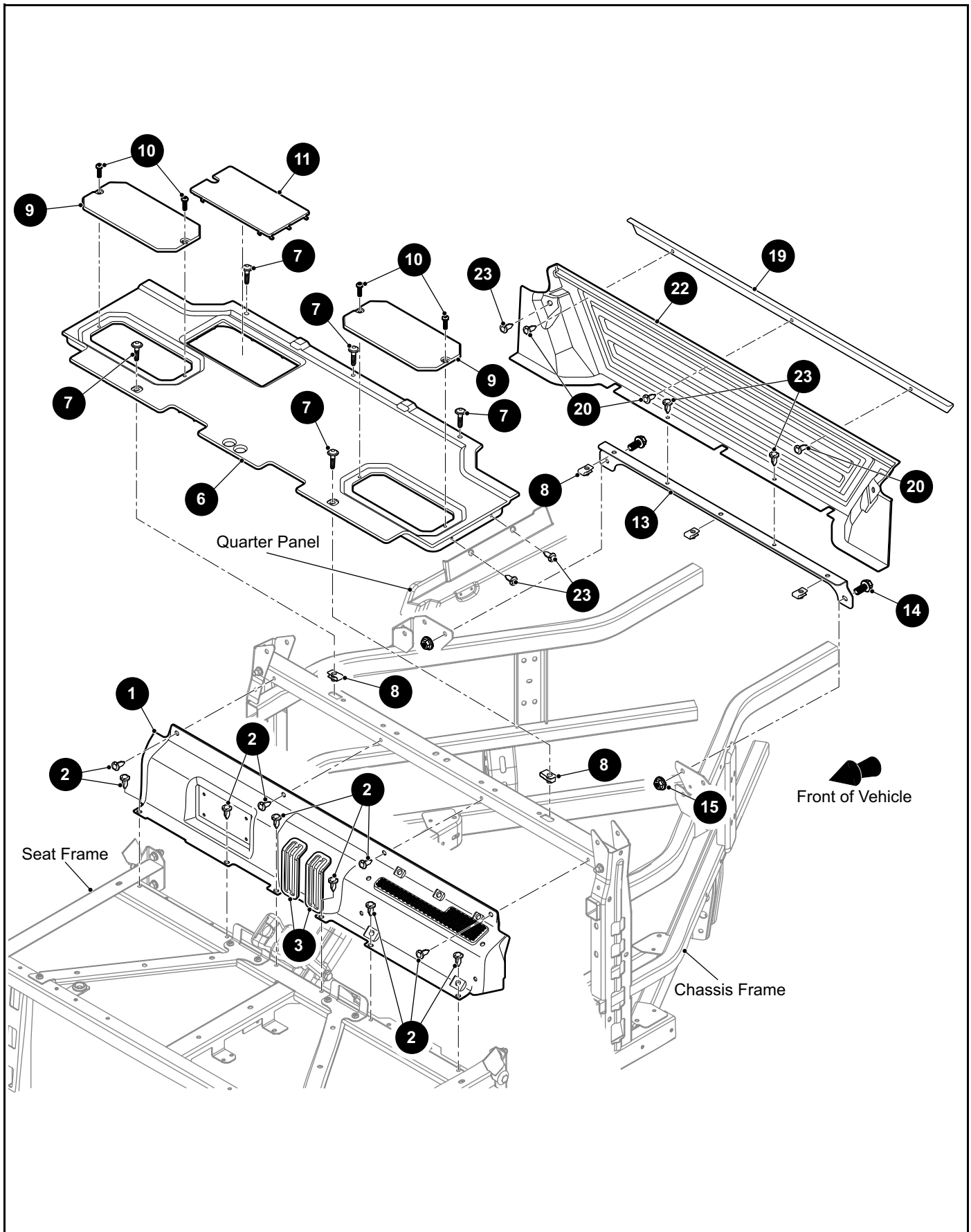
When ordering parts, please specify the model and serial number of the product.

* Indicates a component that is not available as an individual part.

*** Indicates consult Customer Service Department for additional information.

ITEM	PART NO.	1 2 3 4 5	DESCRIPTION	QTY.
1	646819		Air Box Connector	1
2	646763		Hose (Air Cleaner)	1
3	646710		Hose (Intake to Air Cleaner).....	1
4				
5				
6				
7	646705		Air Cleaner Assembly (Includes Item 8).....	1
8	652091		Cartridge.....	1
9	670256G0390		Air Cleaner Mounting Bracket	1
10				
11	667790		Removable Rivet, .320"	9
12	642127		Hose (Blow By), 16mm	1
13	606261		Flanged Hex Head Bolt, M8 - 1 x 20mm Lg, Grade 8.8	2
14	0423-018		Hose Clamp, 70mm x 9mm.....	4
15	2623-038		Hose Clamp, 20 - 32mm	2
16	602330		Flanged Hex Head Bolt, M8 - 1 x 30mm Lg	2
17	645956		Flanged Hex Lock Nut, M8 - 1.25	2

EXTENDED CAB



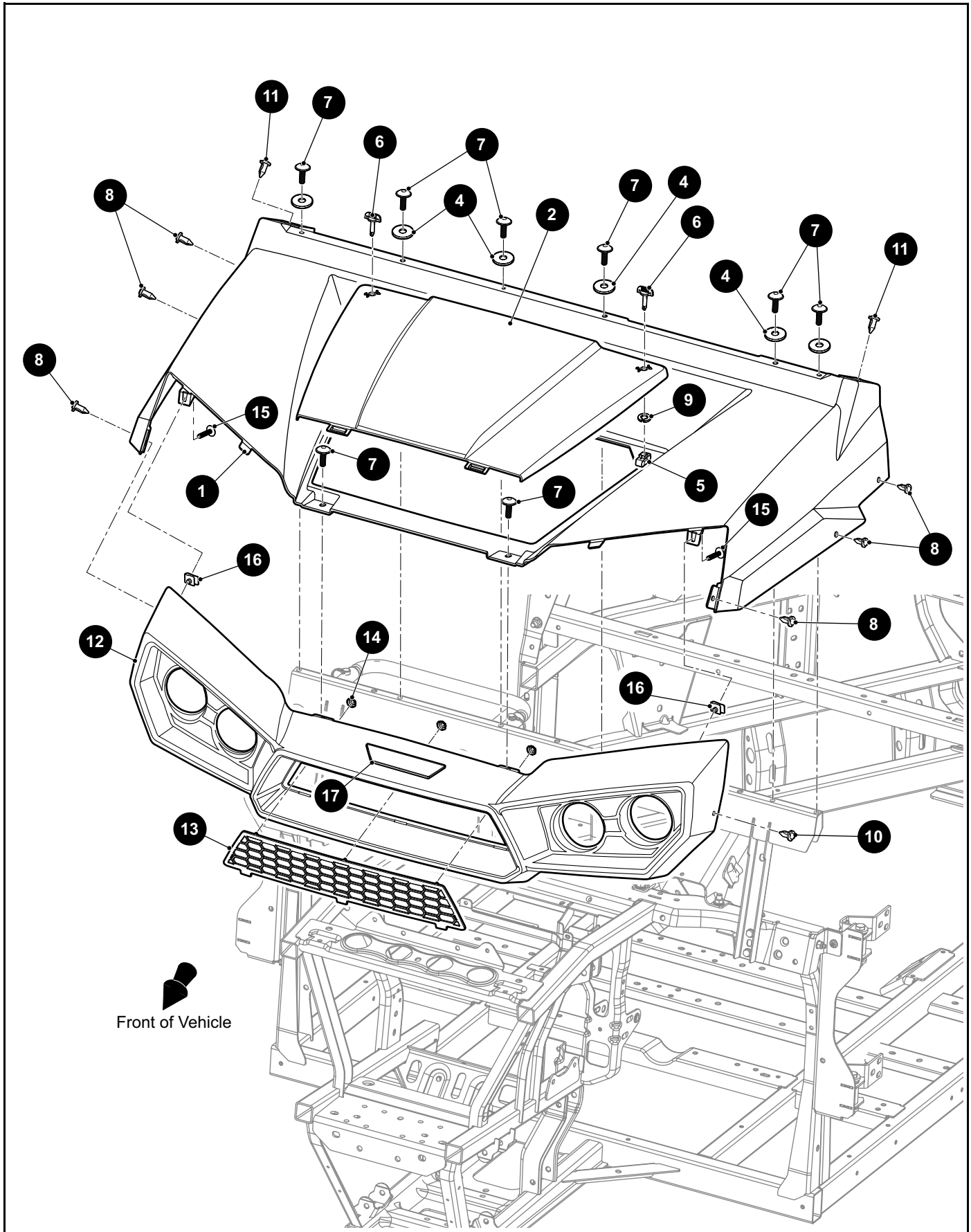
THE USE OF NON U.L. PARTS WILL VOID ANY U.L. LISTING.

When ordering parts, please specify the model and serial number of the product.

* Indicates a component that is not available as an individual part.

*** Indicates consult Customer Service Department for additional information.

ITEM	PART NO.	1 2 3 4 5	DESCRIPTION	QTY.
1	643524		Engine Bay Closeout.....	1
2	667790		Removable Rivet, .320"	10
3	643207		Shifter Boot	2
4				
5				
6	641321		Cargo Tray (Heat Shield Required See Section M)	1
7	645323		Pan Washer Head Torx Screw, M6 - 1 x 25mm Lg	5
8	602409		Barrel Clip, M6 - 1	5
9	670914		Storage Pocket Cover (Heat Shield Required See Section M).....	2
10	649803		Pan Head Torx Screw, M6 - 2.65 x 25mm Lg.....	4
11	670911		Cargo Tray Door (Heat Shield Required See Section M).....	1
12				
13	643190G0390		Cross member (C-pillar).....	1
14	603799		Flanged Hex Head Bolt, M10 - 1.5 x 25mm Lg, Grade 8.8	2
15	600525		Lock Nut, M10 - 1.5.....	2
16				
17				
18				
19	653516G0390		Extended Cab Support.....	1
20	667790		Removable Rivet, .320"	3
21				
22	641789		Closeout (Extended Cab).....	1
23	667790		Removable Rivet, .320"	6



THE USE OF NON U.L. PARTS WILL VOID ANY U.L. LISTING.

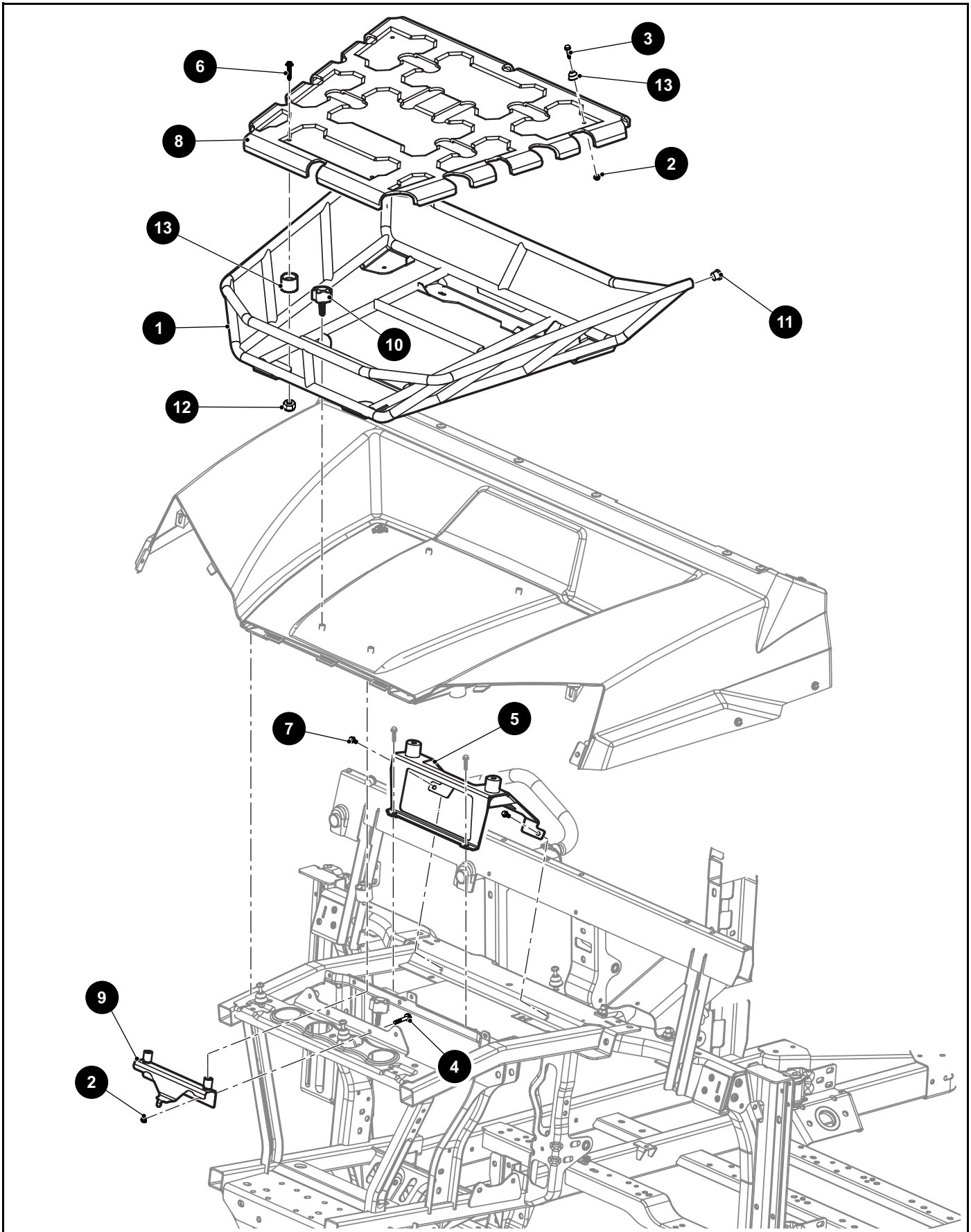
When ordering parts, please specify the model and serial number of the product.

* Indicates a component that is not available as an individual part.

*** Indicates consult Customer Service Department for additional information.

ITEM	PART NO.	1 2 3 4 5	DESCRIPTION	QTY.
1	663088G0011		Cowl	1
2	641259G0111		Cowl Access Panel.....	1
3				
4	608747		Flat Washer, M6 - 1.5.....	6
5	654333		Retainer (Base).....	2
6	653127		Fastener (Quarter Turn)	2
7	644969		Pan Washer Head Self Tapping Screw, M6 - 1 x 20mm Lg	8
8	667790		Removable Rivet, .320"	6
9	618255		Retainer Ring	2
10	667790		Removable Rivet, .320"	2
11	667790		Removable Rivet, .320"	2
12	663105		Front Fascia	1
13	641408		Grill Insert.....	1
14	71597G01		Self Threading Nut, 5 x 10 x 15mm.....	3
15	645323		Pan Washer Head Torx Screw, M6 - 1 x 23.4mm Lg	2
16	602409		Barrel Clip, M6 - 1	2
17	699006		Stampede Badge	1

BODY



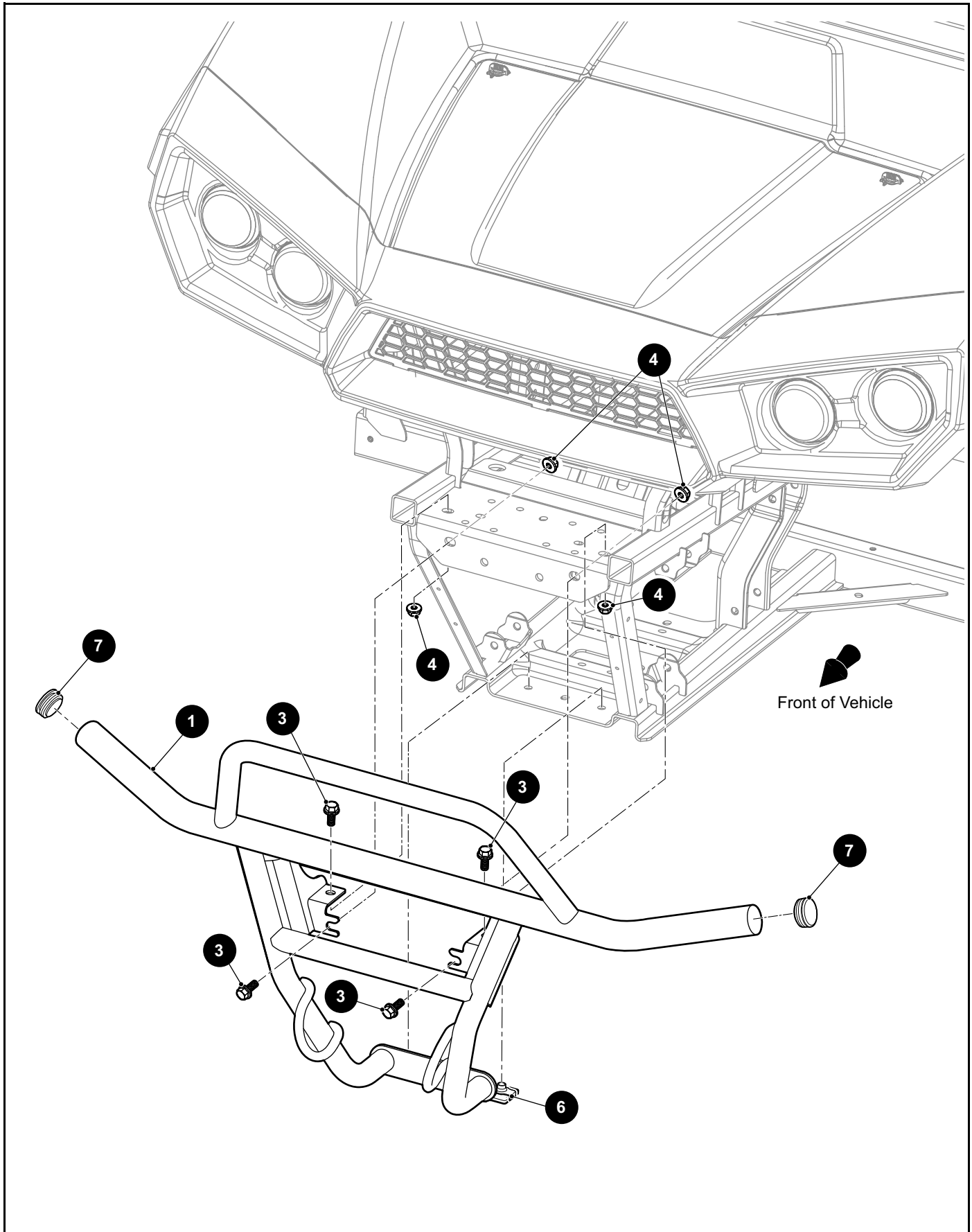
THE USE OF NON U.L. PARTS WILL VOID ANY U.L. LISTING.

When ordering parts, please specify the model and serial number of the product.

* Indicates a component that is not available as an individual part.

*** Indicates consult Customer Service Department for additional information.

ITEM	PART NO.	1 2 3 4 5	DESCRIPTION	QTY.
1	689660G97		Hood Rack Weldment (Black Texture)	1
2	601476		Lock Nut, M6 - 1	6
3	605741		Hex Head Bolt, M6 - 1 x 25mm Lg, Grade 10.9	4
4	606264		Flanged Hex Head Bolt, M6 - 1 x 20mm Lg, Grade 8.8	2
5	667073G0397		Hood Rack Mount Bracket (Black Texture)	1
6	8468-620		Button Head Screw, M6 - 1 x 20mm Lg	4
7	452695		Flanged Hex Head Bolt, M6 - 1 x 20mm Lg	2
8	648014		Hood Rack (Plastic)	1
9	648500G0397		Front Hood Rack Mount Bracket (Black Texture).....	1
10	649339		Knob, M8 - 1.25.....	4
11	650630		Tube Plug, .750".....	2
12	8421-603		Lock Nut, M6 - 1	4
13	654390		Hood Rack Plug Kit	4



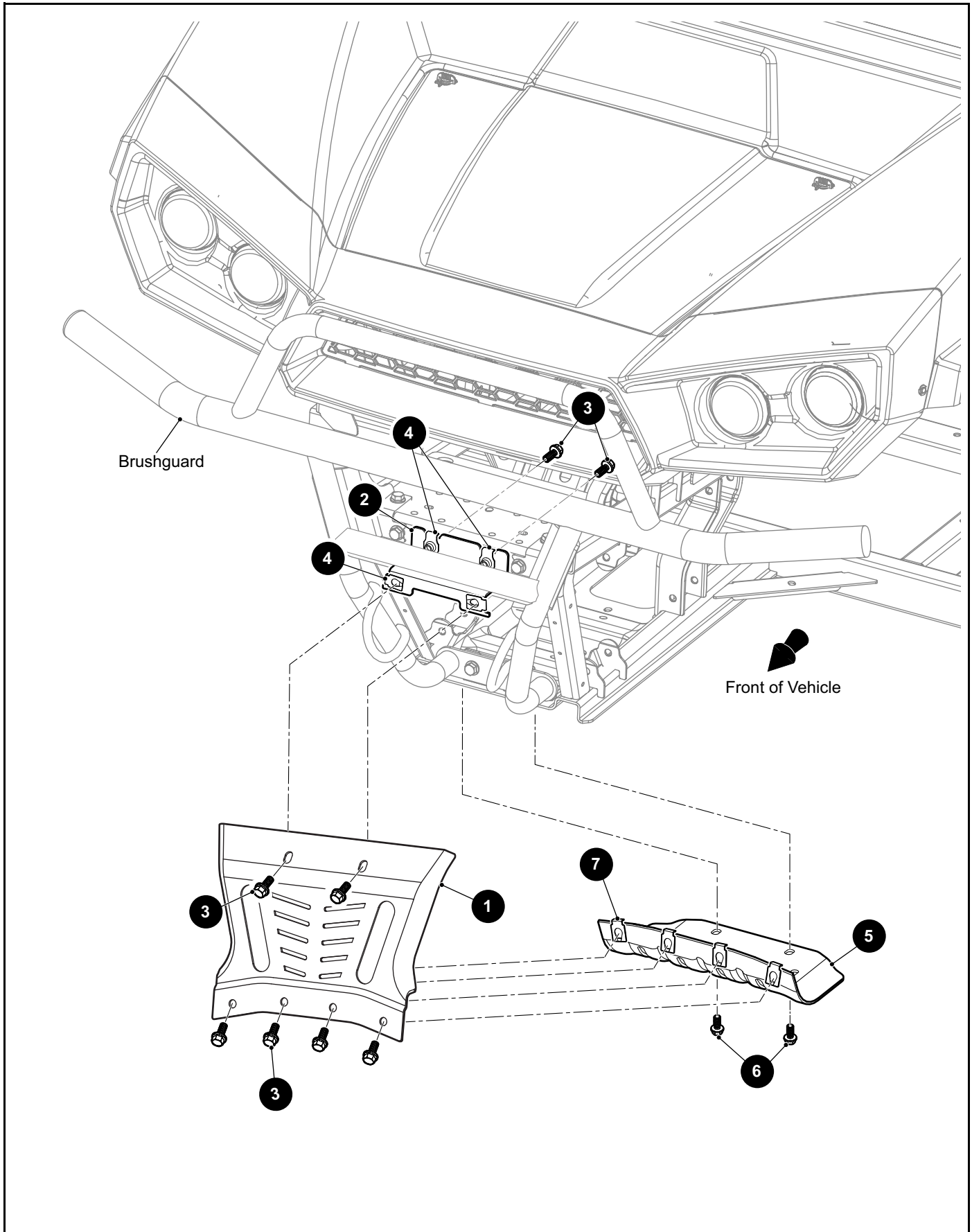
THE USE OF NON U.L. PARTS WILL VOID ANY U.L. LISTING.

When ordering parts, please specify the model and serial number of the product.

* Indicates a component that is not available as an individual part.

*** Indicates consult Customer Service Department for additional information.

ITEM	PART NO.	1 2 3 4 5	DESCRIPTION	QTY.
1	668801G0397		Brushguard (Black Texture).....	1
2				
3	603799		Flanged Hex Head Bolt, M10 - 1.5 x 25mm Lg, Grade 8.8.....	4
4	600525		Lock Nut, M10 - 1.5.....	4
5				
6	603818		Barrel Clip, M10 - 1.5.....	2
7	666164		Plug (Plastic), 1.75" O.D.	2



THE USE OF NON U.L. PARTS WILL VOID ANY U.L. LISTING.

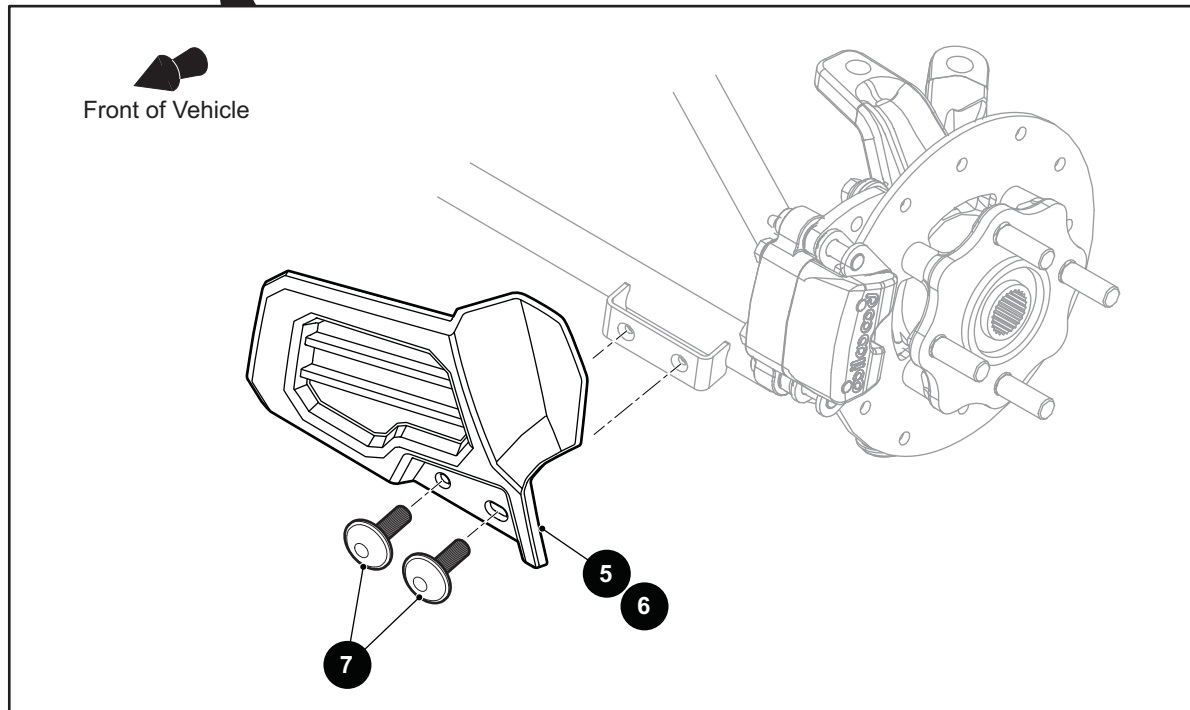
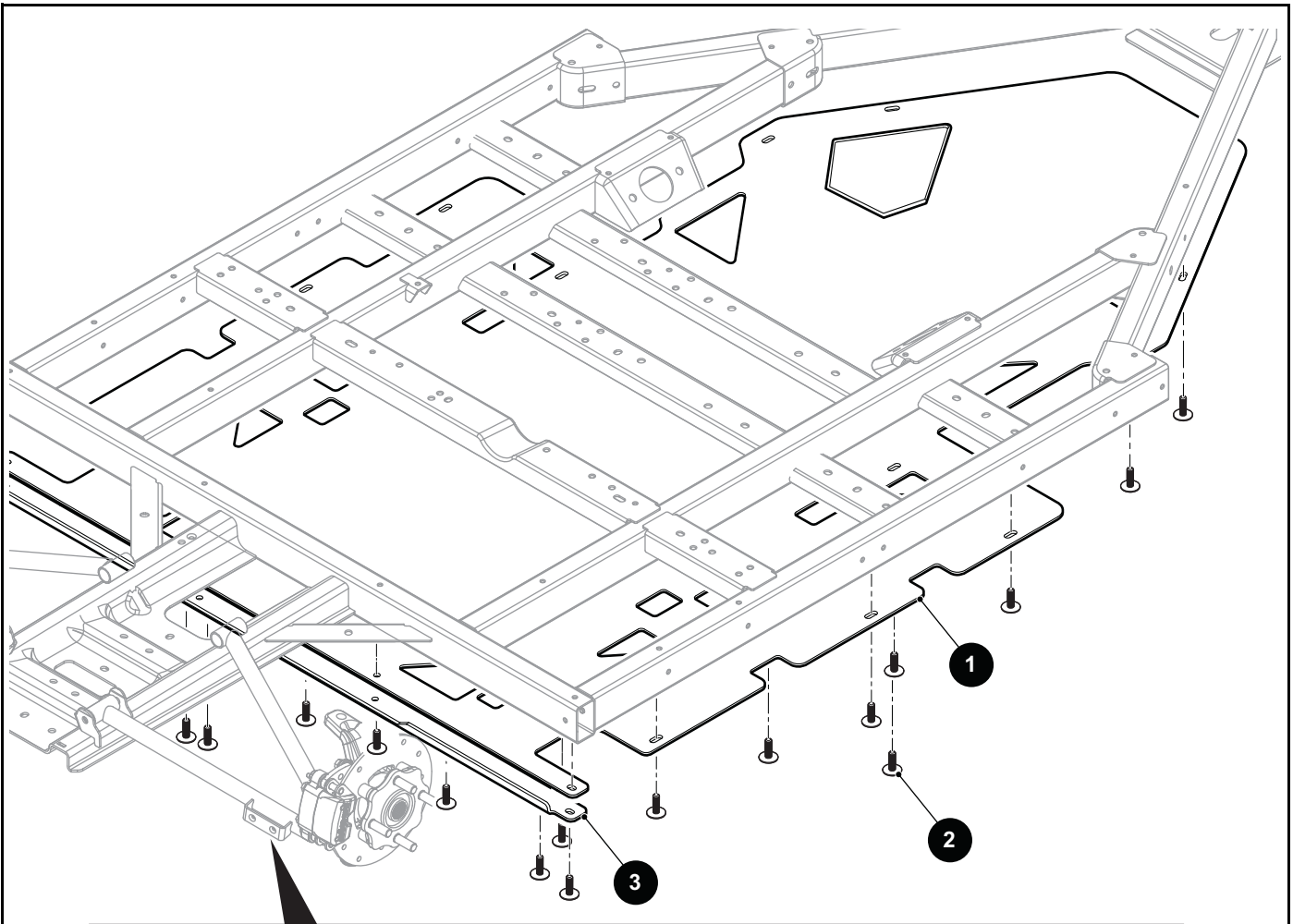
When ordering parts, please specify the model and serial number of the product.

* Indicates a component that is not available as an individual part.

*** Indicates consult Customer Service Department for additional information.

ITEM	PART NO.	1 2 3 4 5	DESCRIPTION	QTY.
1	665176G0397		Frame Shield (Upper) (Black Texture).....	1
2	651894G0397		Shield Mount Bracket (Black Texture).....	1
3	603799		Flanged Hex Head Bolt, M10 - 1.5 x 25mm Lg, Grade 8.8.....	8
4	603818		Barrel Clip, M10 - 1.5.....	4
5	652652G0397		Frame Shield (Lower) (Black Texture).....	1
6	603799		Flanged Hex Head Bolt, M10 - 1.5 x 25mm Lg, Grade 8.8.....	2
7	603818		Barrel Clip, M10 - 1.5.....	4

BODY



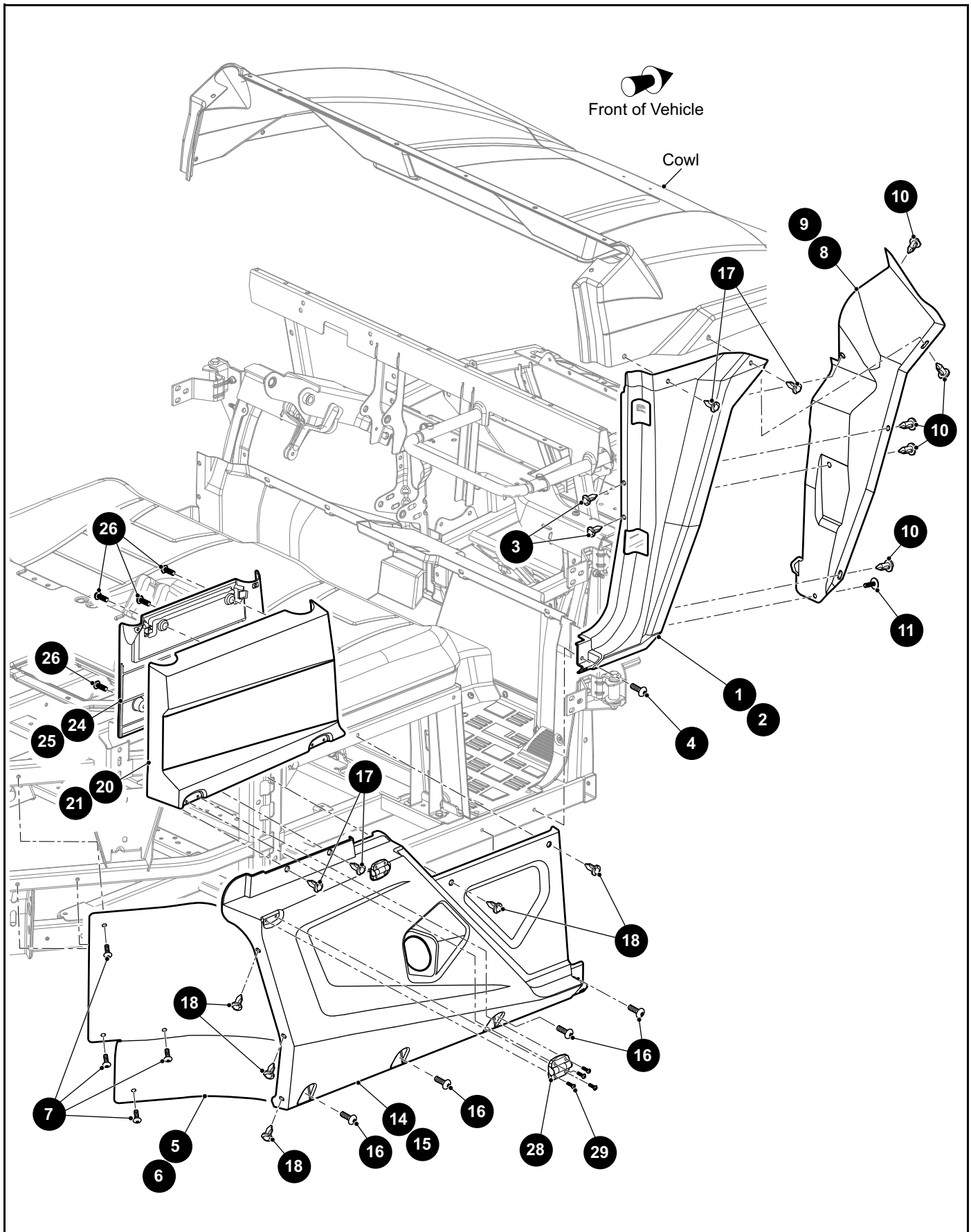
THE USE OF NON U.L. PARTS WILL VOID ANY U.L. LISTING.

When ordering parts, please specify the model and serial number of the product.

* Indicates a component that is not available as an individual part.

*** Indicates consult Customer Service Department for additional information.

ITEM	PART NO.	1 2 3 4 5	DESCRIPTION	QTY.
1	657360		Skid Guard	1
2	644969		Pan Washer Head Self Tapping Screw, M6 - 1 x 20mm Lg	18
3	657367G0390		Skid Guard Bracket.....	1
4				
5	642512G01		CV Guard (Driver Side).....	1
6	642512G02		CV Guard (Passenger Side)	1
7	644969		Pan Washer Head Self Tapping Screw, M6 - 1 x 20mm Lg	2



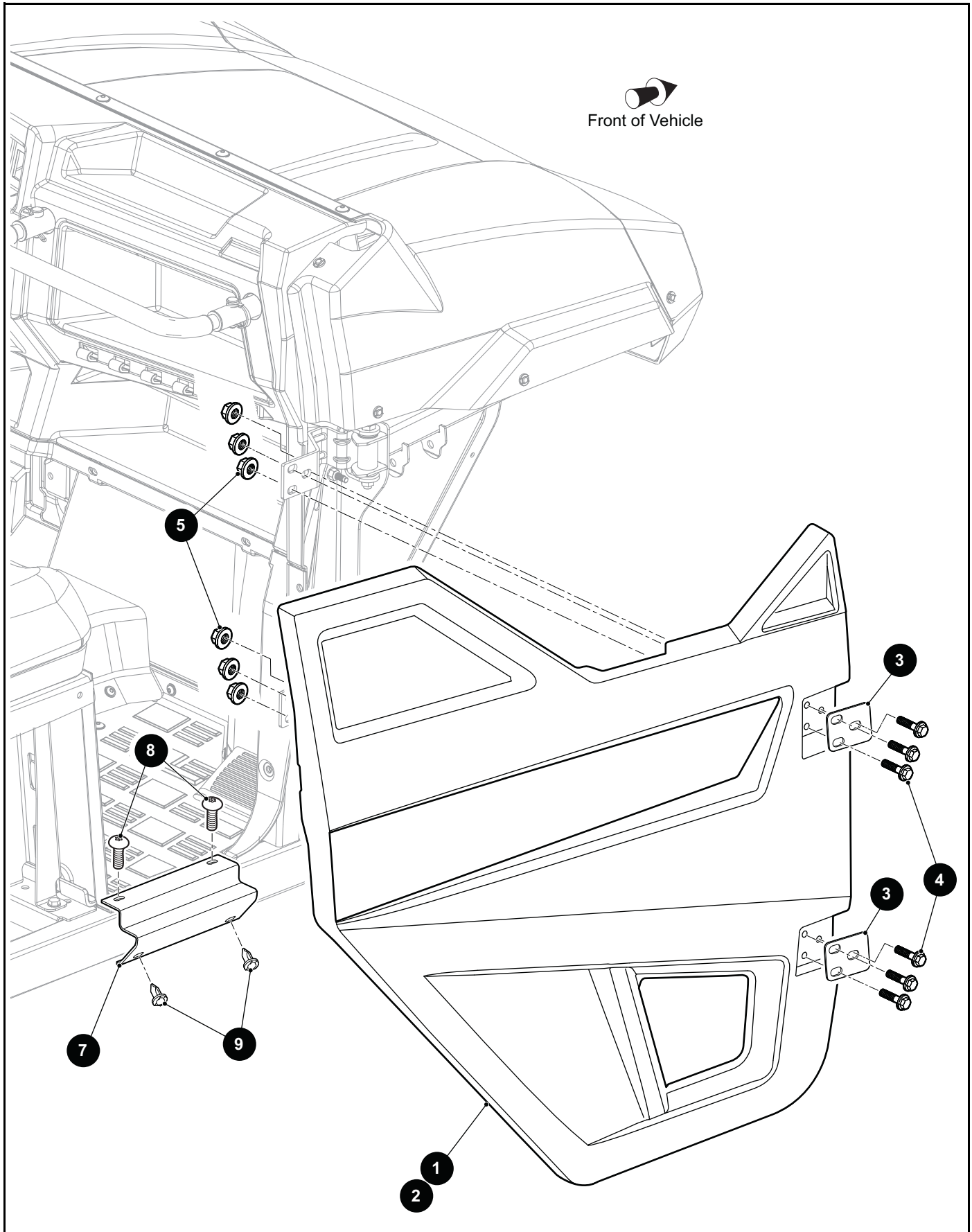
THE USE OF NON U.L. PARTS WILL VOID ANY U.L. LISTING.

When ordering parts, please specify the model and serial number of the product.

* Indicates a component that is not available as an individual part.

*** Indicates consult Customer Service Department for additional information.

ITEM	PART NO.	1 2 3 4 5	DESCRIPTION	QTY.
1	641176G01		Front Fender (Driver Side)	1
2	641176G02		Front Fender (Passenger Side).....	1
3	667790		Removable Rivet, .320"	2
4	644969		Pan Washer Head Self Tapping Screw, M6 - 1 x 20mm Lg	1
5	642510G01		Rear Wheel Well (Driver Side).....	1
6	642510G02		Rear Wheel Well (Passenger Side)	1
7	644969		Pan Washer Head Self Tapping Screw, M6 - 1 x 20mm Lg	4
8	646343G01		Fender Liner (Driver Side).....	1
9	646343G02		Fender Liner (Passenger Side).....	1
10	667790		Removable Rivet, .320"	5
11	644969		Pan Washer Head Self Tapping Screw, M6 - 1 x 20mm Lg	1
12				
13				
14	641177G01		Rear Quarter Panel (Driver Side).....	1
15	641177G02		Rear Quarter Panel (Passenger Side).....	1
16	644969		Pan Washer Head Self Tapping Screw, M6 - 1 x 20mm Lg	4
17	667790		Removable Rivet, .320"	4
18	667790		Removable Rivet, .320"	5
19				
20	641180G01		Extended Cab Door (Driver Side)	1
21	641180G02		Extended Cab Door (Passenger Side).....	1
22				
23				
24	645572G01		Door Inner Cover, Extended Cab (Driver Side).....	1
25	645572G02		Door Inner Cover, Extended Cab (Passenger Side)	1
26	646047		Plastite Screw, M6 - 2.14 x 20mm Lg.....	4
27				
28	676485		Hinge.....	2
29	646140		Thread Forming Screw, M4 - 1.79 x 16mm Lg.....	4



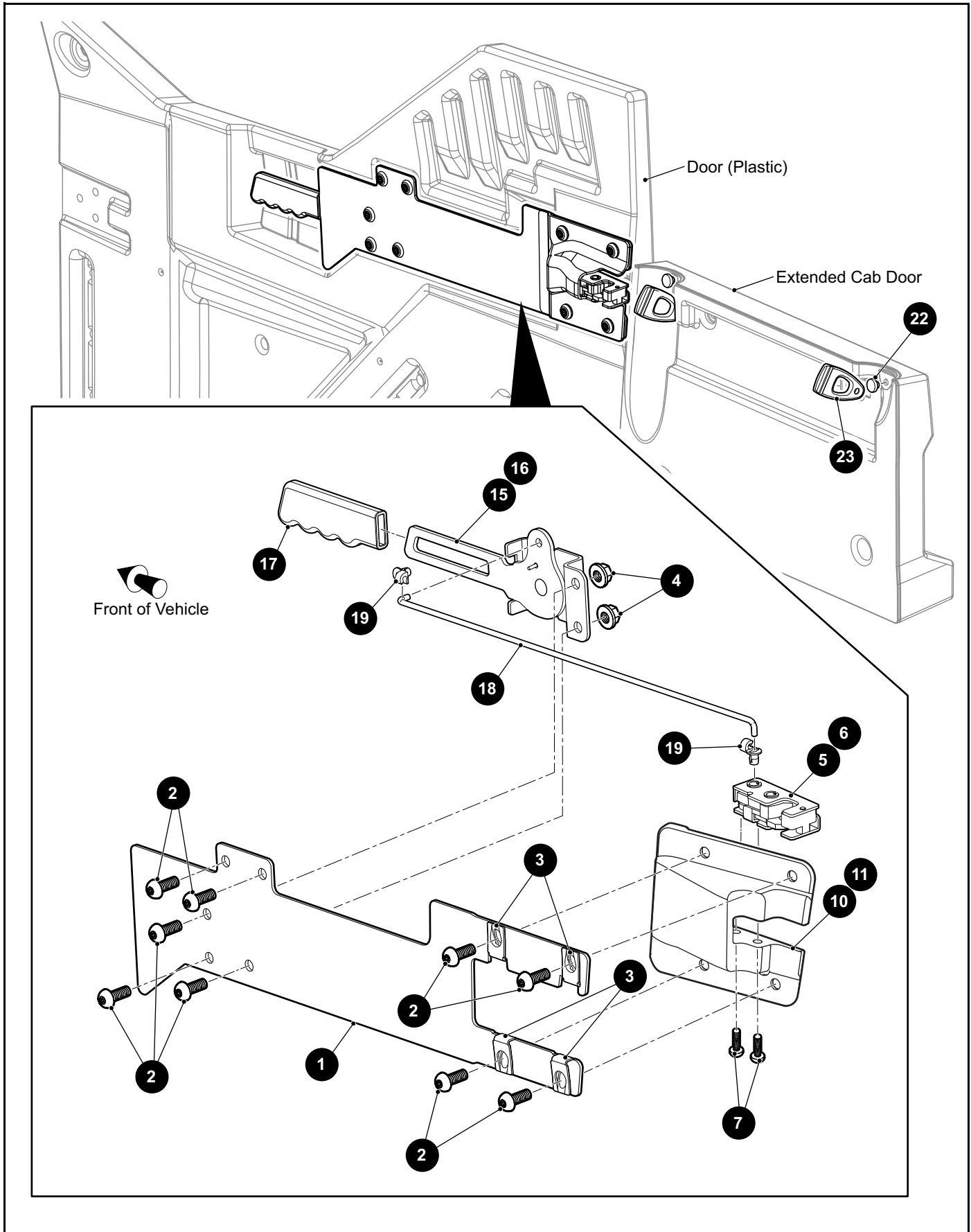
THE USE OF NON U.L. PARTS WILL VOID ANY U.L. LISTING.

When ordering parts, please specify the model and serial number of the product.

* Indicates a component that is not available as an individual part.

*** Indicates consult Customer Service Department for additional information.

ITEM	PART NO.	1 2 3 4 5	DESCRIPTION	QTY.
1	667125G01		Door (Plastic) (Driver Side)	1
2	667125G02		Door (Plastic) (Passenger Side).....	1
3	649789G0390		Door Hinge Plate.....	2
4	649879		Flanged Hex Head Bolt, M10 - 1.5 x 30mm Lg, Grade 8.8.....	6
5	600525		Lock Nut, M10 - 1.5.....	6
6				
7	641395		Rocker Panel.....	1
8	644969		Pan Washer Head Self Tapping Screw, M6 - 1 x 20mm Lg	2
9	667790		Removable Rivet, .320"	2



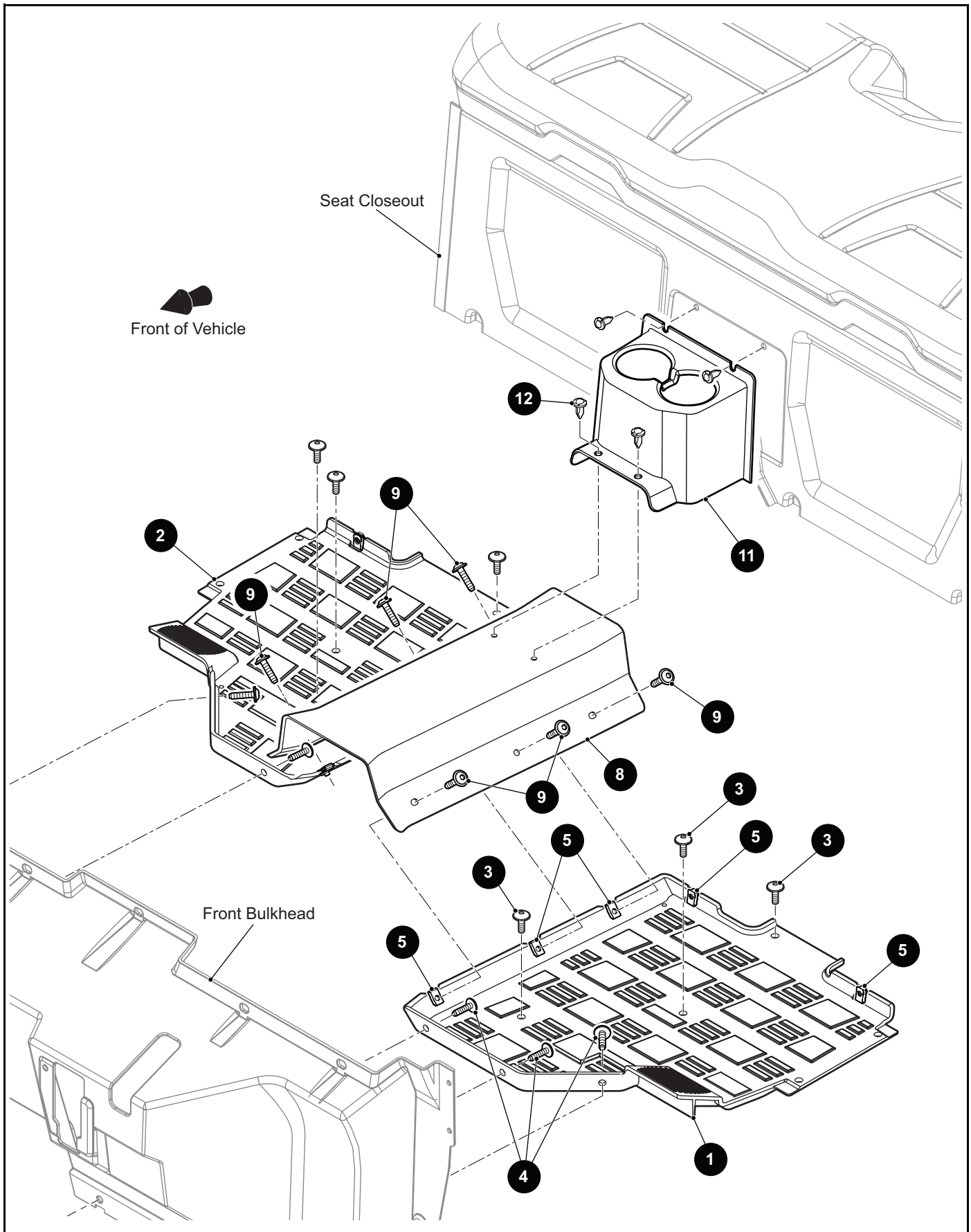
THE USE OF NON U.L. PARTS WILL VOID ANY U.L. LISTING.

When ordering parts, please specify the model and serial number of the product.

* Indicates a component that is not available as an individual part.

*** Indicates consult Customer Service Department for additional information.

ITEM	PART NO.	1 2 3 4 5	DESCRIPTION	QTY.
1	649618G0390		Cover Plate (Inner Door).....	1
2	646371		Pan Head Bolt, M8 - 1.25 x 20mm Lg.....	9
3	649696		Barrel Clip, M8 - 1.25.....	4
4	645956		Flanged Hex Lock Nut, M8 - 1.25.....	2
5	647318G01		Door Latch (Driver Side).....	1
6	647318G02		Door Latch (Passenger Side).....	1
7	650084		Button Head Torx Bolt with Patch Lock, M6 - 1 x 20mm Lg.....	2
8				
9				
10	664252G2390		Latch Mount Bracket (Passenger Side).....	1
11	664252G1390		Latch Mount Bracket (Driver Side).....	1
12				
13				
14				
15	649300G01		Door Lever Assembly (Driver Side).....	1
16	649300G02		Door Lever Assembly (Passenger Side).....	1
17	648236		Grip.....	1
18	647301		Push Rod (Door).....	1
19	656804		Push Rod Clip.....	2
20				
21				
22	646166		Bumper Stop (Rubber).....	2
23	647484		Rubber Strap.....	2



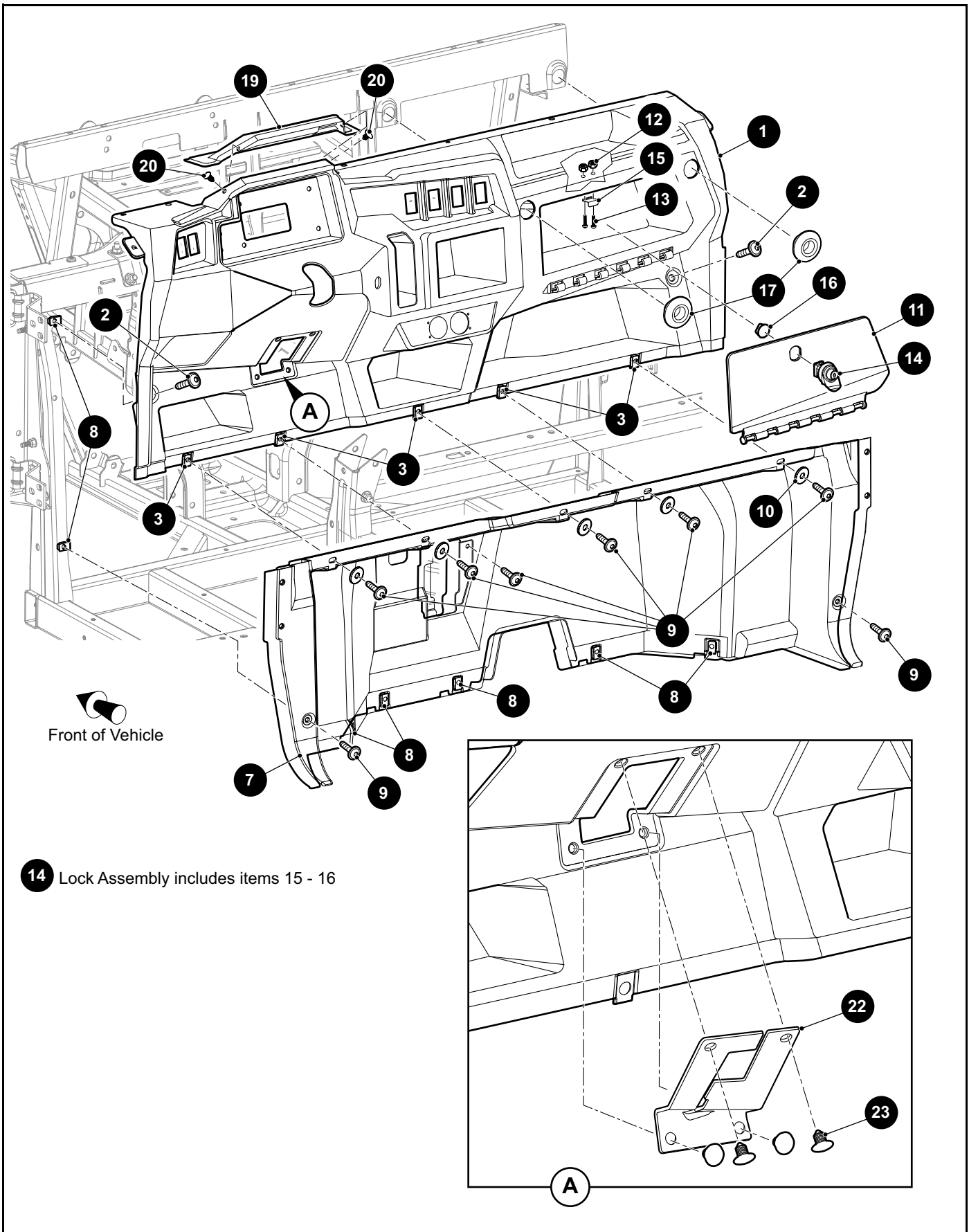
THE USE OF NON U.L. PARTS WILL VOID ANY U.L. LISTING.

When ordering parts, please specify the model and serial number of the product.

* Indicates a component that is not available as an individual part.

*** Indicates consult Customer Service Department for additional information.

ITEM	PART NO.	1 2 3 4 5	DESCRIPTION	QTY.
1	641759		Floorboard (Driver Side).....	1
2	641840		Floorboard (Passenger Side).....	1
3	644969		Pan Washer Head Self Tapping Screw, M6 - 1 x 20mm Lg	3
4	645323		Pan Washer Head Torx Screw, M6 - 1 x 23.4mm Lg	3
5	602409		Barrel Clip, M6 - 1	5
6				
7				
8	641839		Center Channel	1
9	645323		Pan Washer Head Torx Screw, M6 - 1 x 23.4mm Lg	6
10				
11	641662		Cup Holder	1
12	667790		Removable Rivet, .320"	4



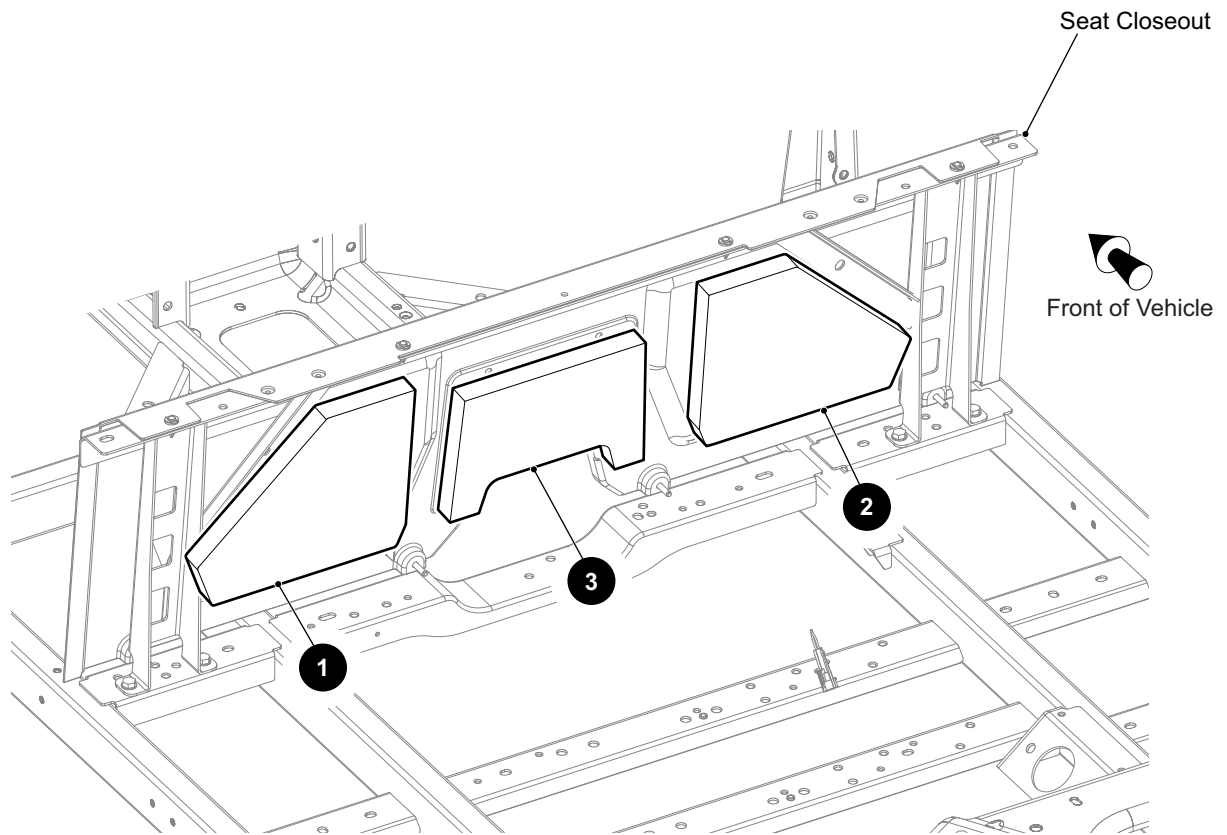
THE USE OF NON U.L. PARTS WILL VOID ANY U.L. LISTING.

When ordering parts, please specify the model and serial number of the product.

* Indicates a component that is not available as an individual part.

*** Indicates consult Customer Service Department for additional information.

ITEM	PART NO.	1 2 3 4 5	DESCRIPTION	QTY.
1	641398G01		Instrument Panel	1
2	645323		Pan Washer Head Torx Screw, M6 - 1 x 23.4mm Lg	2
3	602409		Barrel Clip, M6 - 1	5
4				
5				
6				
7	641393		Front Bulkhead.....	1
8	602409		Barrel Clip, M6 - 1	10
9	645323		Pan Washer Head Torx Screw, M6 - 1 x 23.4mm Lg	8
10	608747		Flat Washer, M6 - 1.5.....	5
11	651762		Glovebox Assembly.....	1
12	00525G5		Hex Nut, #6 - 32.....	2
13	00645G5		Pan Head Phillips Screw, #6 - 32 x .62" Lg.....	2
14	612516		Lock Assembly (Includes Items 15 - 16)	1
15	*		Plate	1
16	*		Nut.....	1
17	648556		Grab Bar Closeout	2
18				
19	643939		Instrument Panel Hood	1
20	16816G1		Ratchet Rivet, .25" x .680"	2
21				
22	646121		Instrument Panel Closeout.....	1
23	16816G1		Ratchet Rivet, .25" x .680"	4



THE USE OF NON U.L. PARTS WILL VOID ANY U.L. LISTING.

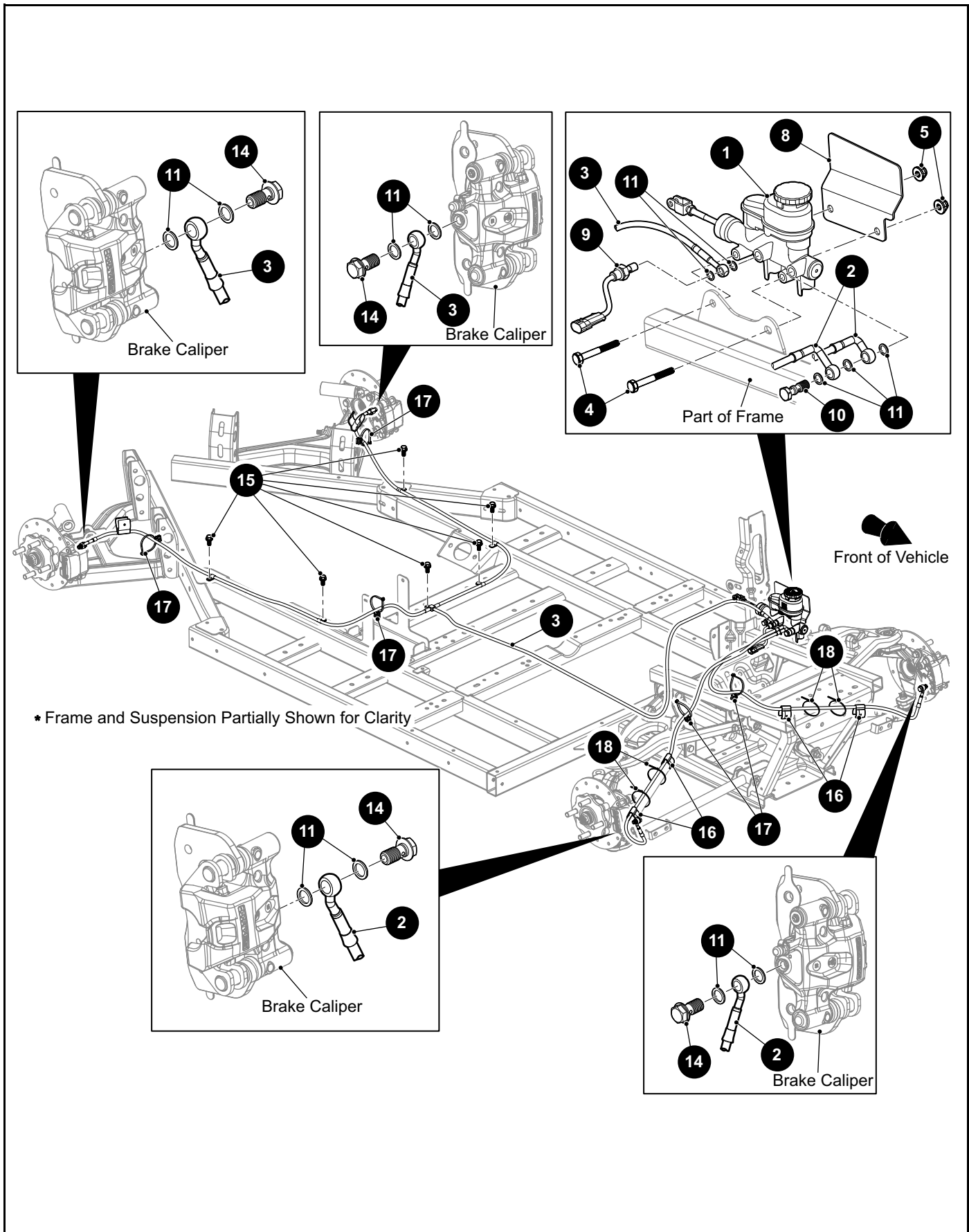
When ordering parts, please specify the model and serial number of the product.

* Indicates a component that is not available as an individual part.

*** Indicates consult Customer Service Department for additional information.

ITEM	PART NO.	1 2 3 4 5 DESCRIPTION	QTY.
1	662620	Seat Closeout Foam (Driver Side)	1
2	662621	Seat Closeout Foam (Passenger Side).....	1
3	662619	Seat Closeout Foam (Center)	1

BRAKES



THE USE OF NON U.L. PARTS WILL VOID ANY U.L. LISTING.

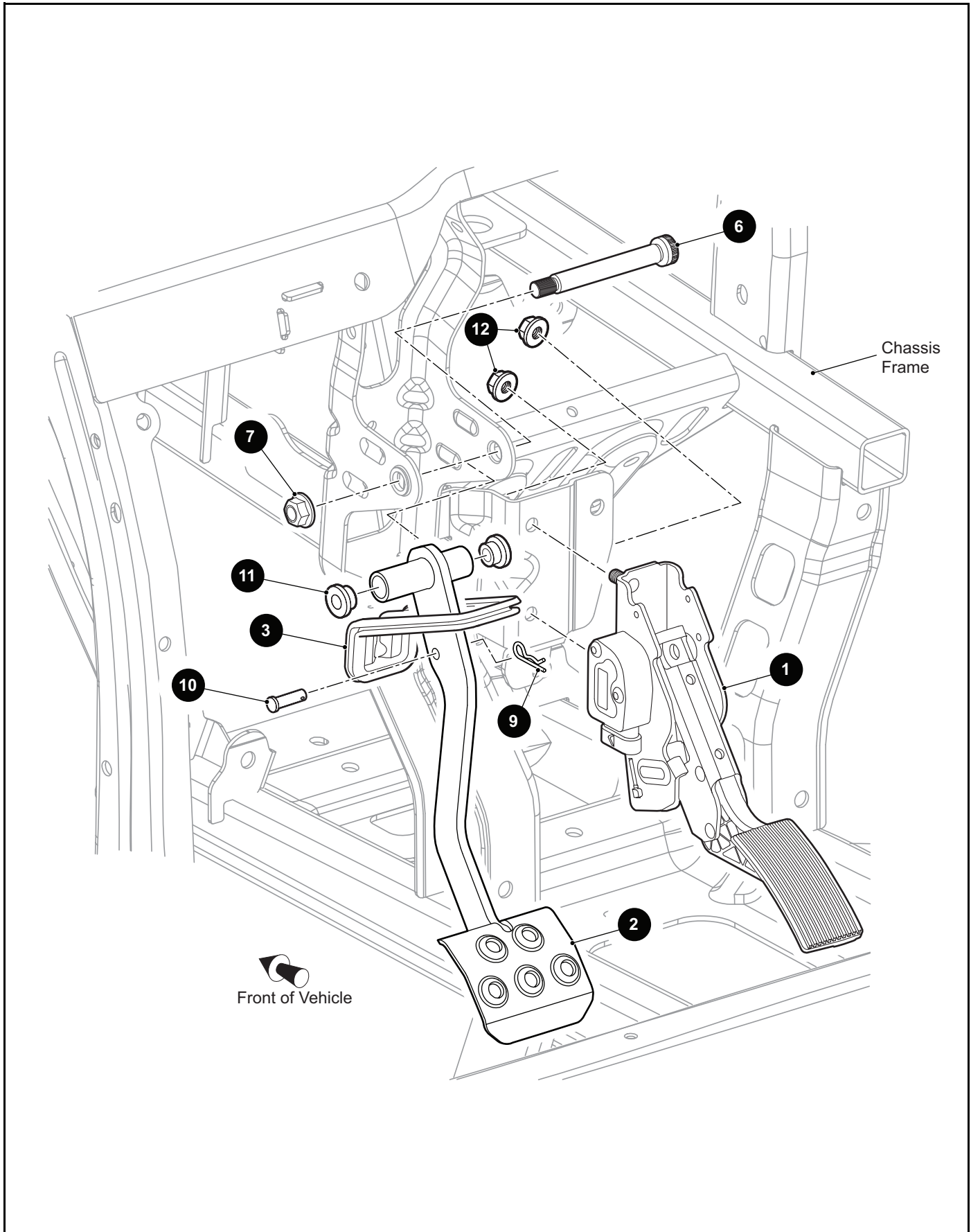
When ordering parts, please specify the model and serial number of the product.

* Indicates a component that is not available as an individual part.

*** Indicates consult Customer Service Department for additional information.

ITEM	PART NO.	1 2 3 4 5	DESCRIPTION	QTY.
1	631593		Master Cylinder	1
2	638225		Brake Line (Front), 113cm Lg.....	2
3	638226		Brake Line (Rear), 168cm x 131cm x 135cm Lg.....	1
4	616672		Hex Head Bolt, M8 - 1.25 x 60mm Lg.....	2
5	645956		Flanged Hex Lock Nut, M8 - 1.25	2
6				
7				
8	644634G0390		Shield (Master Cylinder).....	1
9	646161		Pressure Switch Harness.....	1
10	650438		Banjo Bolt (Double), M10 x1.25	1
11	613293		Crush Washer, M10	13
12				
13	645340		Cable Tie (Not Illustrated)	2
14	616459		Banjo Bolt (Single), M10 - 1 x 20mm Lg	4
15	452695		Taptite Screw, M6 - 1 x 20mm Lg.....	7
16	649671		Brake Line Clip.....	4
17	646439		Edge Clip Cable Tie	2
18	17618G1		Nylon Clamp.....	4
<p>NOTE: BRAKE ROTORS AND CALIPERS SHOWN IN SUSPENSION SECTIONS.</p>				

PEDALS



THE USE OF NON U.L. PARTS WILL VOID ANY U.L. LISTING.

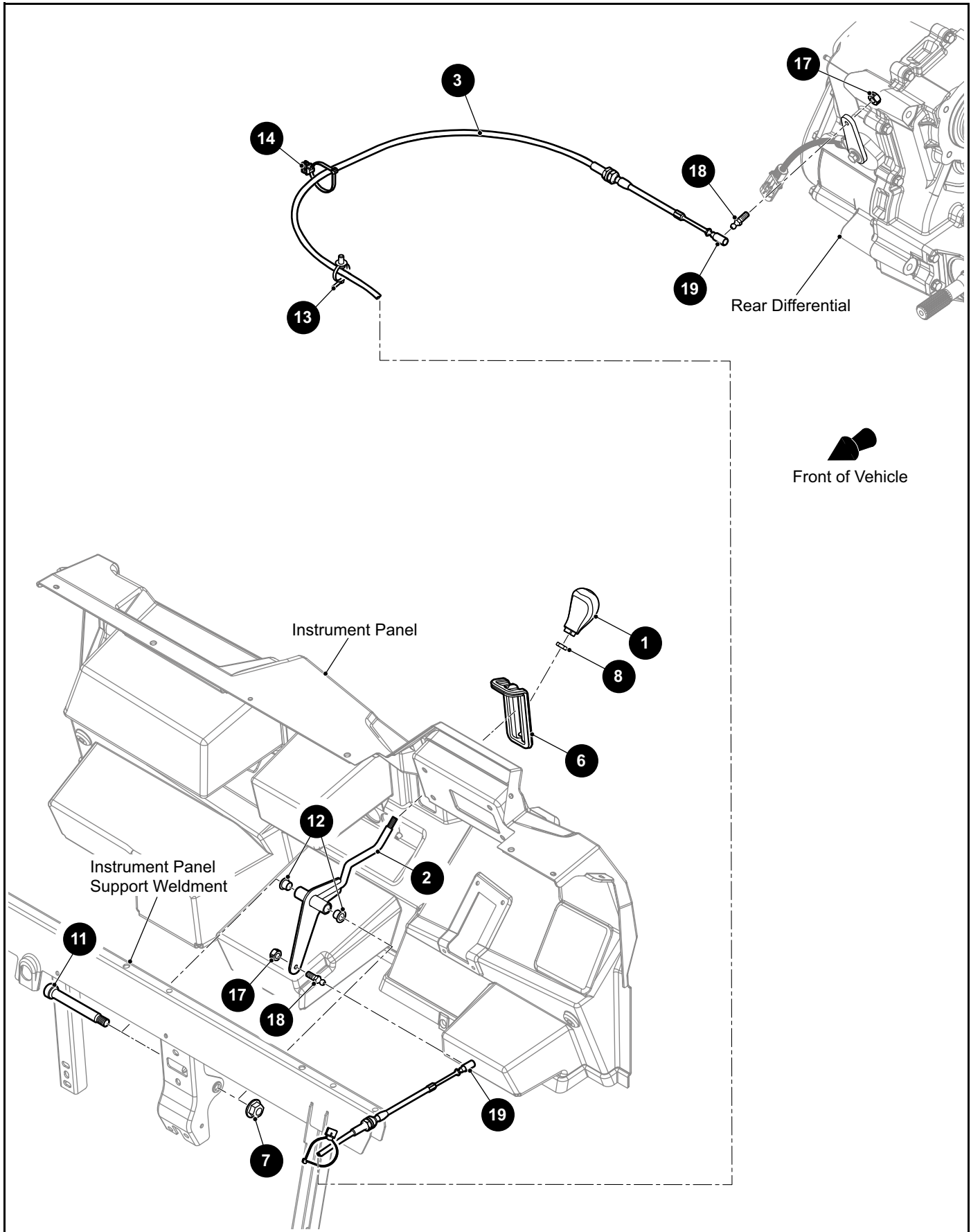
When ordering parts, please specify the model and serial number of the product.

* Indicates a component that is not available as an individual part.

*** Indicates consult Customer Service Department for additional information.

ITEM	PART NO.	1 2 3 4 5	DESCRIPTION	QTY.
1	0509-173		Accelerator Pedal.....	1
2	638227G0390		Brake Pedal.....	1
3	643207		Shifter Boot	1
4				
5				
6	644182		Shoulder Bolt, 12/M10 x 80mm Lg.....	1
7	600525		Lock Nut, M10 - 1.5.....	1
8				
9	01076G01		Cotter Pin, 1.21" Lg.....	1
10	10386G2		Clevis Pin, 1/4" x 3/4".....	1
11	644558		Flanged Bearing.....	2
12	645956		Flanged Hex Nut, M8 - 1.25.....	2

DIRECTION AND DRIVE SELECTOR



DIRECTION AND DRIVE SELECTOR

THE USE OF NON U.L. PARTS WILL VOID ANY U.L. LISTING.

When ordering parts, please specify the model and serial number of the product.

* Indicates a component that is not available as an individual part.

*** Indicates consult Customer Service Department for additional information.

ITEM	PART NO.	1 2 3 4 5	DESCRIPTION	QTY.
1	637993		Shifter Knob	1
2	662788G0390		Shifter.....	1
3	638221		Shift Cable.....	1
4				
5				
6	643207		Shifter Boot	1
7	600525		Lock Nut, M10 - 1.5.....	1
8	643494		Hex Jam Nut, M8 - 1	1
9				
10				
11	644182		Shoulder Bolt, 12/M10 x 80mm Lg.....	1
12	644558		Flanged Bearing.....	2
13	645340		Cable Tie	1
14	646441		Cable Tie (Edge Clip).....	2
15				
16				
17	648378		Hex Center Lock Nut, 1/4" - 28	2
18	73745G01		Ball Stud.....	2
19	654394		Ball Joint Coupler	2

DRIVETRAIN - FRONT

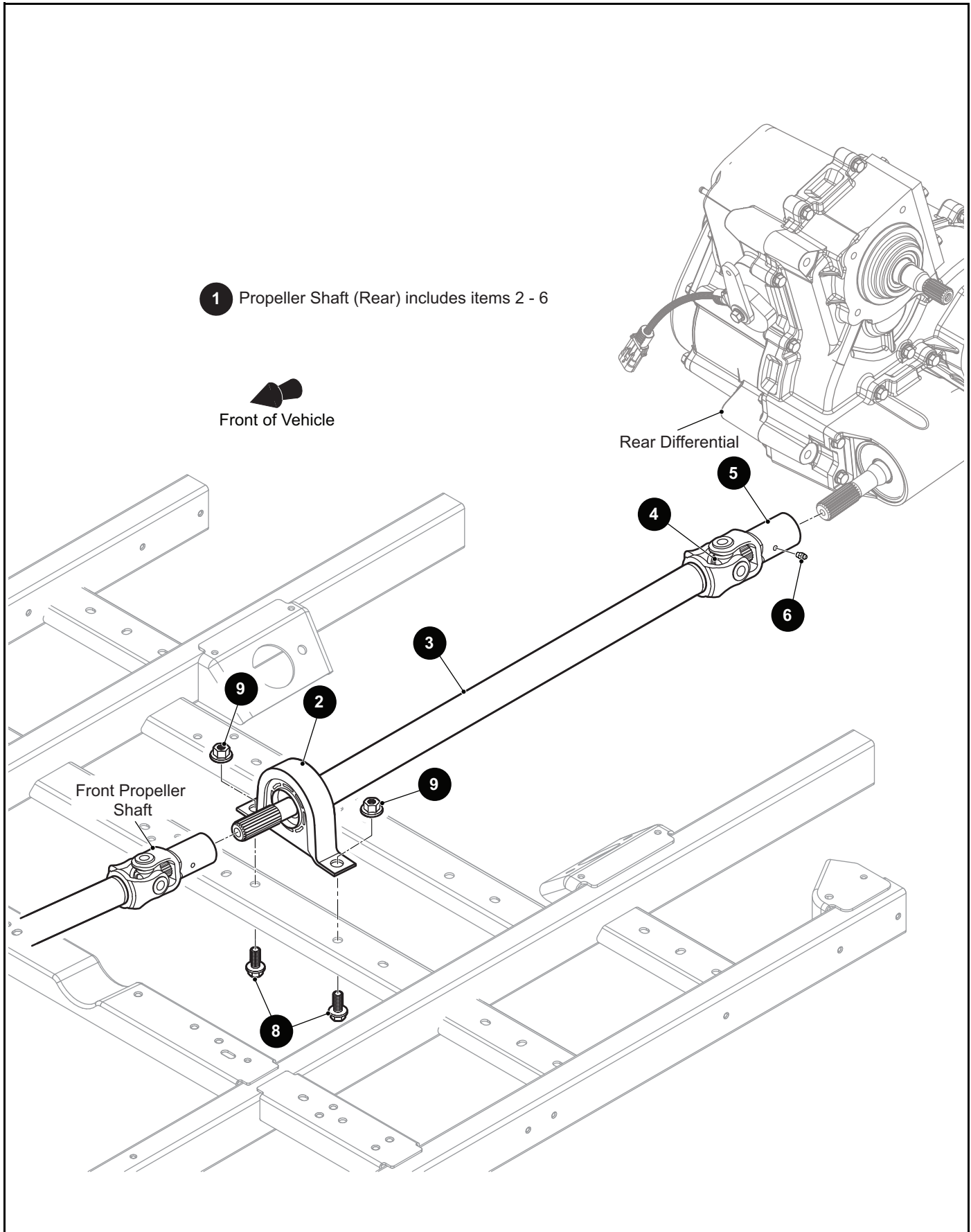
THE USE OF NON U.L. PARTS WILL VOID ANY U.L. LISTING.

When ordering parts, please specify the model and serial number of the product.

* Indicates a component that is not available as an individual part.

*** Indicates consult Customer Service Department for additional information.

ITEM	PART NO.	1 2 3 4 5	DESCRIPTION	QTY.
1	679394		Front Differential.....	1
2	651685		Front CV Shaft (Includes Items 3 - 5).....	1
3	654352		Boot Kit.....	1
4	656390		CV Boot Kit.....	1
5	654350		Clip.....	1
6	17618G1		Nylon Clamp.....	1
7	646439		Cable Tie (Edge Clip).....	1
8	644294		Vent Hose (Front Differential), 6.35mm I.D.	1
9				
10	641289		Flanged Hex Head Bolt, 3/8" - 16 x 1" Lg, Grade 8	4
11	655007		Propeller Shaft (Front) (Includes Items 12 - 16).....	1
12	654354		Yoke.....	1
13	654355		Cross and Bearing.....	2
14	*		Shaft.....	1
15	654356		Yoke.....	1
16	654357		Grease Fitting.....	1
17				
18				
19	630804G01		Flanged Hex Head Bolt, 5/16" - 18 x 2" Lg, Grade 8	1
20	11098G6		Lock Nut, 5/16" - 18	1



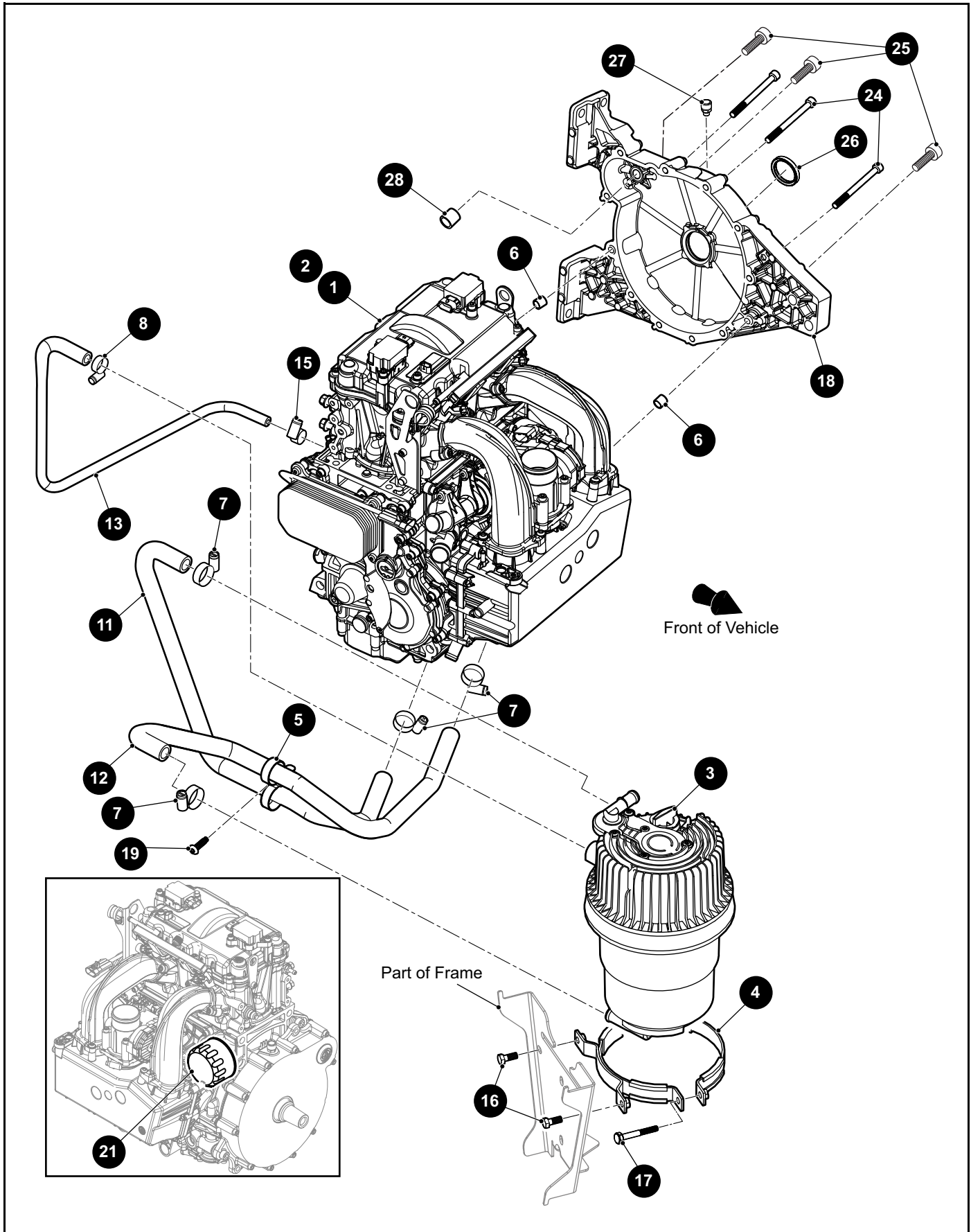
THE USE OF NON U.L. PARTS WILL VOID ANY U.L. LISTING.

When ordering parts, please specify the model and serial number of the product.

* Indicates a component that is not available as an individual part.

*** Indicates consult Customer Service Department for additional information.

ITEM	PART NO.	1 2 3 4 5	DESCRIPTION	QTY.
1	664343		Propeller Shaft (Rear) (Includes Items 2 - 6)	1
2	649318		Bearing	1
3	*		Shaft	1
4	654355		Cross and Bearing.....	1
5	654356		Yoke.....	1
6	654357		Grease Fitting	1
7				
8	648682		Flanged Hex Head Bolt, M10 - 1.5 x 25mm Lg, Grade 10.9.....	2
9	648753		Flanged Lock Nut, M10 - 1.5.....	2



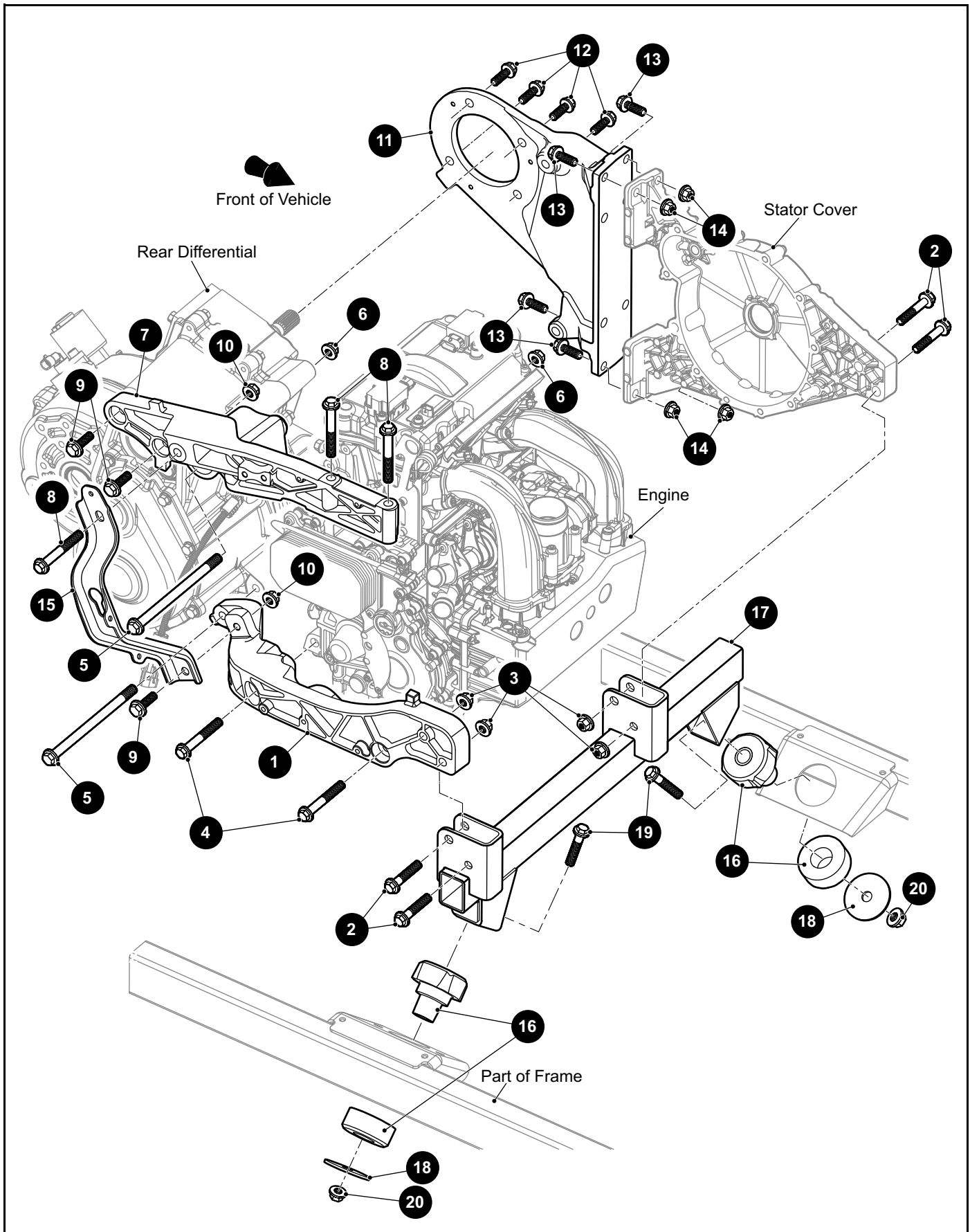
THE USE OF NON U.L. PARTS WILL VOID ANY U.L. LISTING.

When ordering parts, please specify the model and serial number of the product.

* Indicates a component that is not available as an individual part.

*** Indicates consult Customer Service Department for additional information.

ITEM	PART NO.	1 2 3 4 5	DESCRIPTION	QTY.
1	411454		Engine (For EPA Models Only)	1
2	411457		Engine (For CARB Models Only)	1
3	404653		Oil Reservoir	1
4	642126		Mounting Bracket and Clamp (Oil Reservoir).....	1
5	645341		Clamp (Dual).....	1
6	100228		Centering Sleeve.....	2
7	2623-038		Hose Clamp, 20 - 32mm	4
8	649517		Hose Clamp, 12 - 22mm	1
9				
10				
11	642128		Oil Supply Hose, 16mm I.D.	1
12	642129		Oil Return Hose, 16mm I.D.	1
13	643496		Oil Return Hose (Secondary).....	1
14				
15	649481		Hose Clamp, 8 - 16mm	1
16	650195		Hex Head Bolt, M8 - 1.25 x 20mm Lg, Grade 10.9.....	2
17	616672		Hex Head Bolt, M8 - 1.25 x 60mm Lg.....	1
18	410794		Stator Cover	1
19	634161		Flanged Button Head Torx Bolt, M6 - 1 x 30mm Lg	1
20				
21	105041		Oil Filter.....	1
22				
23				
24	100539		Socket Head Bolt, M6 x 45mm Lg.....	10
25	100555		Socket Head Bolt, M10 x 40mm Lg.....	3
26	402082		Shaft Seal 40 x 52 x 7mm Lg	1
27	410302		Vent Plug.....	1
28	404470		Bearing, 12 x 18 x 16mm Lg	1



THE USE OF NON U.L. PARTS WILL VOID ANY U.L. LISTING.

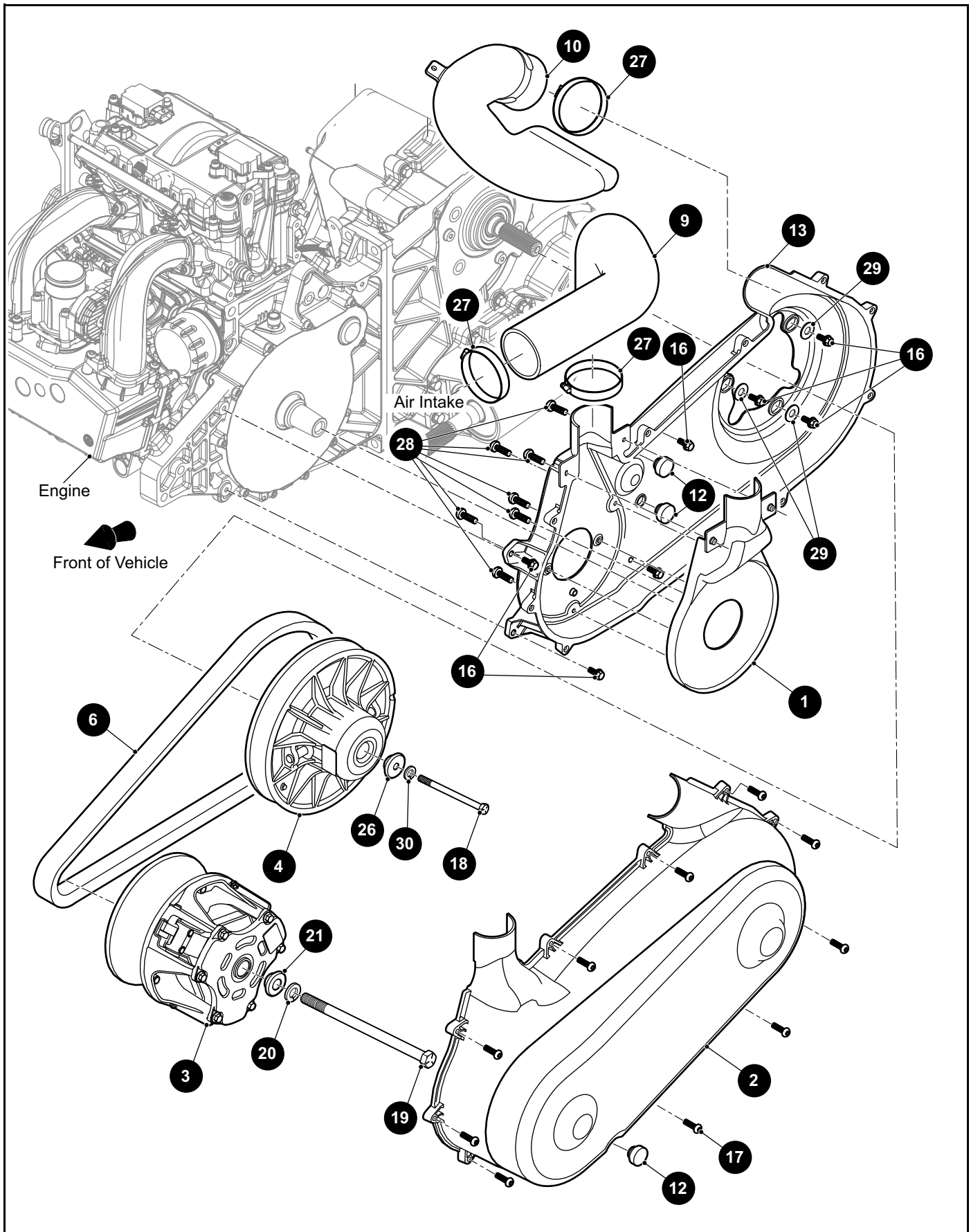
When ordering parts, please specify the model and serial number of the product.

* Indicates a component that is not available as an individual part.

*** Indicates consult Customer Service Department for additional information.

ITEM	PART NO.	1 2 3 4 5	DESCRIPTION	QTY.
1	649125		Lower Casting (Passenger Side)	1
2	648685		Flanged Hex Head Bolt, M10 - 1.5 x 50mm Lg, Grade 10.9.....	4
3	600525		Flanged Lock Nut, M10 - 1.5.....	4
4	649701		Flanged Hex Head Bolt, M10 - 1.5 x 70mm Lg, Grade 10.9.....	2
5	649659		Flanged Hex Head Bolt, M10 - 1.5 x 180mm Lg, Grade 10.9.....	2
6	648753		Flanged Lock Nut, M10 - 1.5.....	2
7	670020		Upper Casting (Passenger Side)	1
8	602415		Flanged Hex Head Bolt, M10 - 1.5 x 80mm Lg, Grade 10.9.....	3
9	648684		Flanged Hex Head Bolt, M10 - 1.5 x 35mm Lg, Grade 10.9.....	3
10	648753		Flanged Lock Nut, M10 - 1.5.....	2
11	649115		Axle Casting	1
12	648684		Flanged Hex Head Bolt, M10 - 1.5 x 35mm Lg, Grade 10.9.....	4
13	648684		Flanged Hex Head Bolt, M10 - 1.5 x 35mm Lg, Grade 10.9.....	4
14	648753		Flanged Lock Nut, M10 - 1.5.....	4
15	677034G0390		Shifter Bracket.....	1
16	657521		Isolator	2
17	658337G0390		Engine Mounting Frame.....	1
18	672239		Flat Washer, 13.5 I.D. x 45 O.D. x 3.2mm	2
19	8413-275		Flanged Hex Head Bolt, M12 - 1.25 x 75mm Lg, Grade 10.9.....	2
20	8427-202		Flanged Lock Nut, M12 - 1.25.....	2

DRIVETRAIN - REAR



DRIVETRAIN - REAR

THE USE OF NON U.L. PARTS WILL VOID ANY U.L. LISTING.

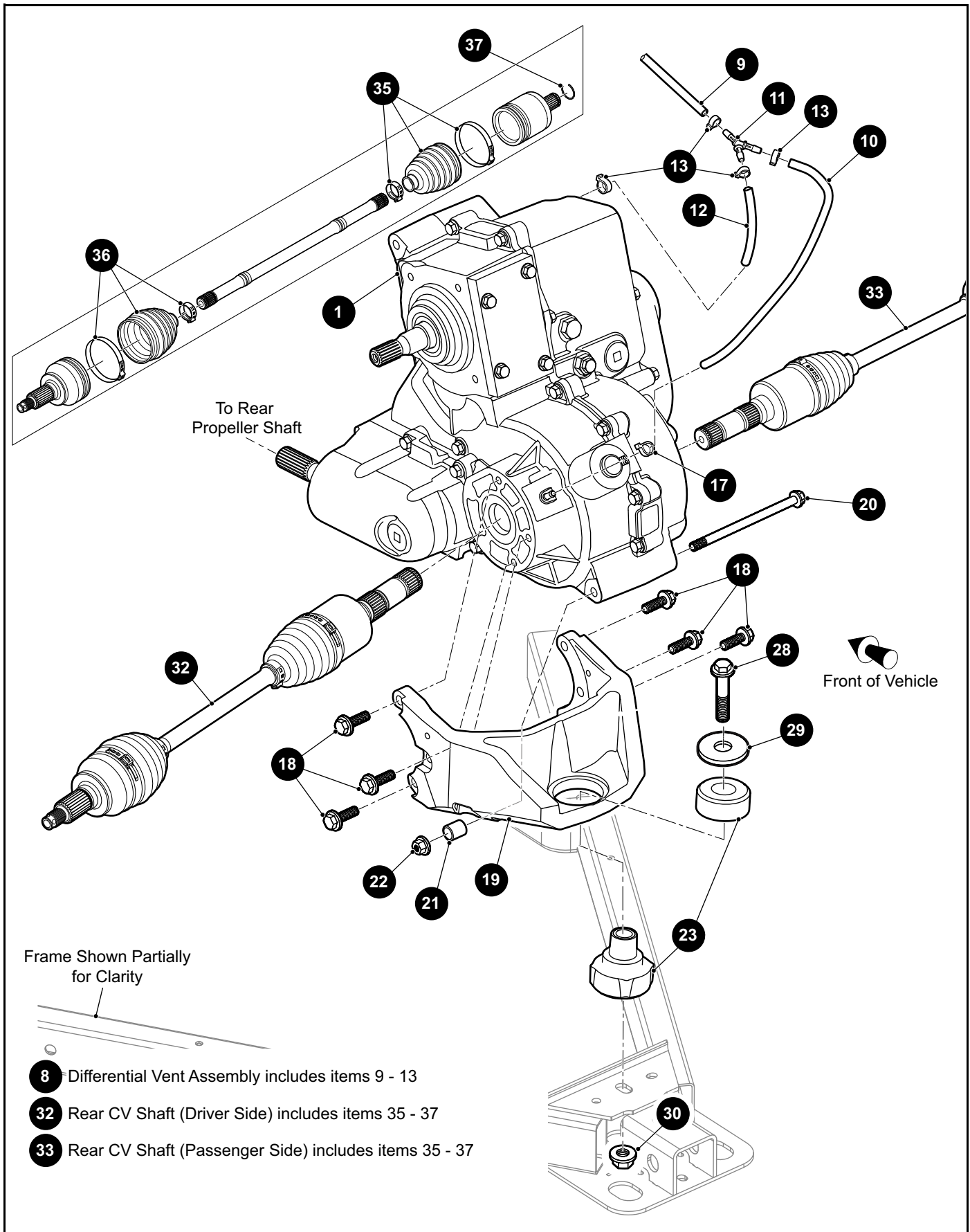
When ordering parts, please specify the model and serial number of the product.

* Indicates a component that is not available as an individual part.

*** Indicates consult Customer Service Department for additional information.

ITEM	PART NO.	1 2 3 4 5	DESCRIPTION	QTY.
1	642836		CVT Closeout (Inner)	1
2	654828		CVT Cover (Outer)	1
3	676566		Primary Clutch.....	1
4	639639		Secondary Clutch.....	1
5				
6	654011		CVT Belt.....	1
7				
8				
9	642177		Hose (Inlet to Resonator)	1
10	653501		Hose (Outlet).....	1
11				
12	810149		Rubber Bumper.....	3
13	654846		CVT Cover (Inner).....	1
14				
15				
16	8413-617		Flanged Hex Head Bolt, M6 - 1 x 16mm Lg	7
17	649803		Pan Head Torx Screw, M6 - 2.65 x 25mm Lg.....	10
18	646701		Hex Head Bolt, M8 - 1.25 x 110mm Lg	1
19	645435		Hex Head Bolt, M14 - 1.5 x 210mm Lg	1
20	645405		Lock Washer, 9/16"	1
21	645404		Clutch Retaining Washer	1
22				
23				
24				
25				
26	25756G1		Retaining Washer.....	1
27	0423-018		Hose Clamp, 70mm x 9mm.....	3
28	1623-978		Taptite Screw, 4 x 10mm Lg	7
29	00642G8		Flat Washer, 5/16"	3
30	00565G8		Lock Washer, 5/16"	1

DRIVETRAIN - REAR



- 8** Differential Vent Assembly includes items 9 - 13
- 32** Rear CV Shaft (Driver Side) includes items 35 - 37
- 33** Rear CV Shaft (Passenger Side) includes items 35 - 37

DRIVETRAIN - REAR

THE USE OF NON U.L. PARTS WILL VOID ANY U.L. LISTING.

When ordering parts, please specify the model and serial number of the product.

* Indicates a component that is not available as an individual part.

*** Indicates consult Customer Service Department for additional information.

ITEM	PART NO.	1 2 3 4 5	DESCRIPTION	QTY.
1	633701G26		Rear Differential	1
2				
3				
4				
5				
6				
7	645340		Cable Tie (Not Illustrated)	AR
8	643514		Differential Vent Assembly (Includes Items 9 - 13).....	1
9	642175		Vent Tube (To Ambient)	1
10	642173		Vent Tube (Lower)	1
11	642174		Y - Adapter (Vent Tube)	1
12	642172		Vent Tube (Upper)	1
13	17618G1		Nylon Clamp, 7" Lg.....	4
14				
15				
16				
17	17618G1		Nylon Clamp, 7" Lg	1
18	648684		Flanged Hex Head Bolt, M10 - 1.5 x 35mm Lg, Grade 10.9	6
19	673987		Axle Casting	1
20	649129		Flanged Hex Head Bolt, M10 - 1.5 x 150mm Lg, Grade 10.9	1
21	646314		Spacer.....	1
22	648753		Flanged Lock Nut, M10 - 1.5, Grade 10.....	1
23	657521		Isolator	1
24				
25				
26				
27				
28	8413-275		Flanged Hex Head Bolt, M12 - 1.25 x 75mm Lg	1
29	672239		Flat Washer, 13.5 I.D. x 45 O.D. x 3.2mm	1
30	8427-202		Flanged Lock Nut, M12 - 1.25.....	1
31				

DRIVETRAIN - REAR

THE USE OF NON U.L. PARTS WILL VOID ANY U.L. LISTING.

When ordering parts, please specify the model and serial number of the product.

* Indicates a component that is not available as an individual part.

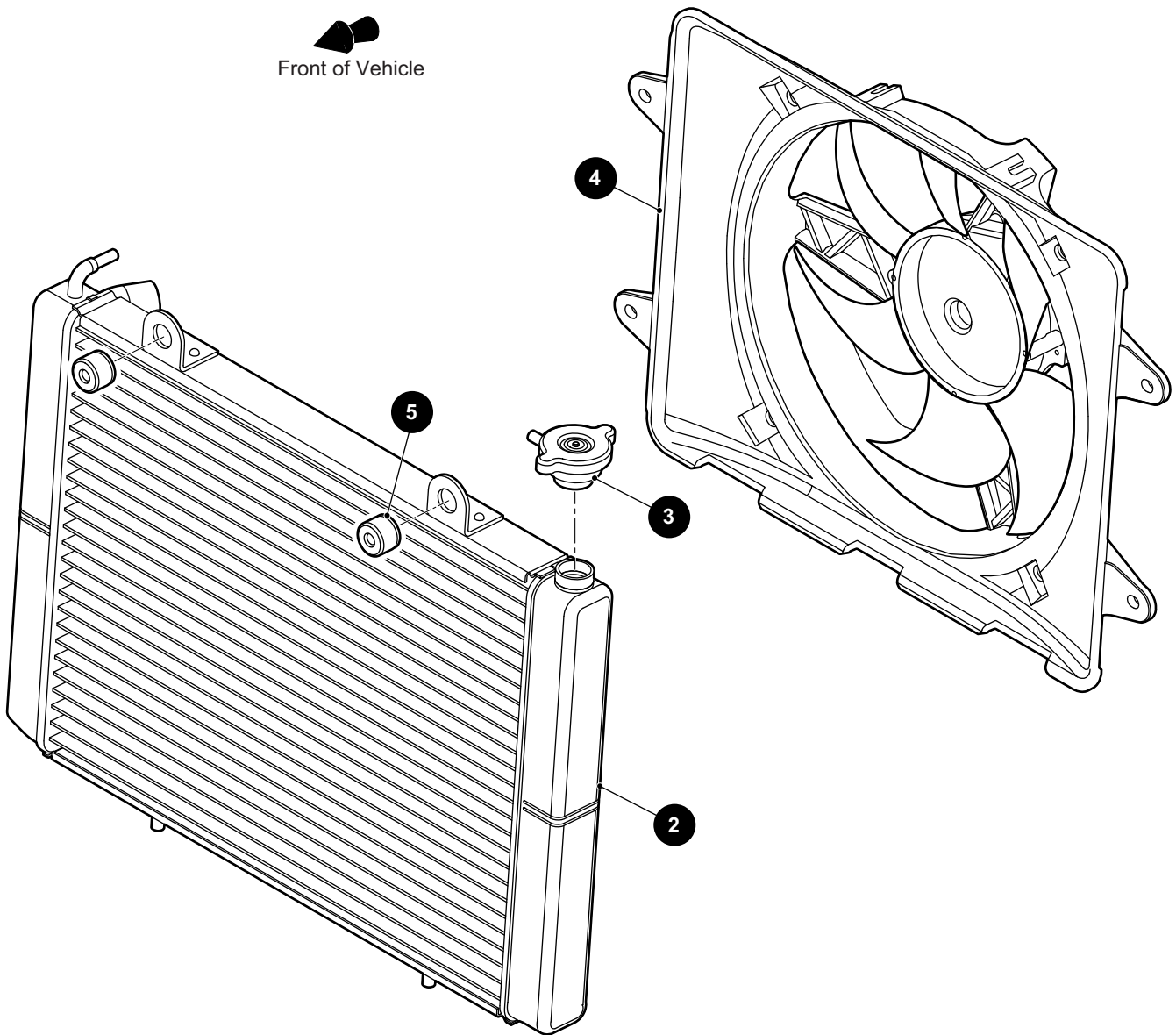
*** Indicates consult Customer Service Department for additional information.

ITEM	PART NO.	1 2 3 4 5	DESCRIPTION	QTY.
32	651684		Rear CV Shaft (Driver Side) (Includes Items 35 - 37)	1
33	651683		Rear CV Shaft (Passenger Side) (Includes Items 35 - 37).....	1
34				
35	654352		Boot Kit	1
36	656390		CV Boot Kit.....	1
37	654353		Clip.....	1

ENGINE COOLING SYSTEM

1 Radiator Assembly includes items 2 - 5

Front of Vehicle

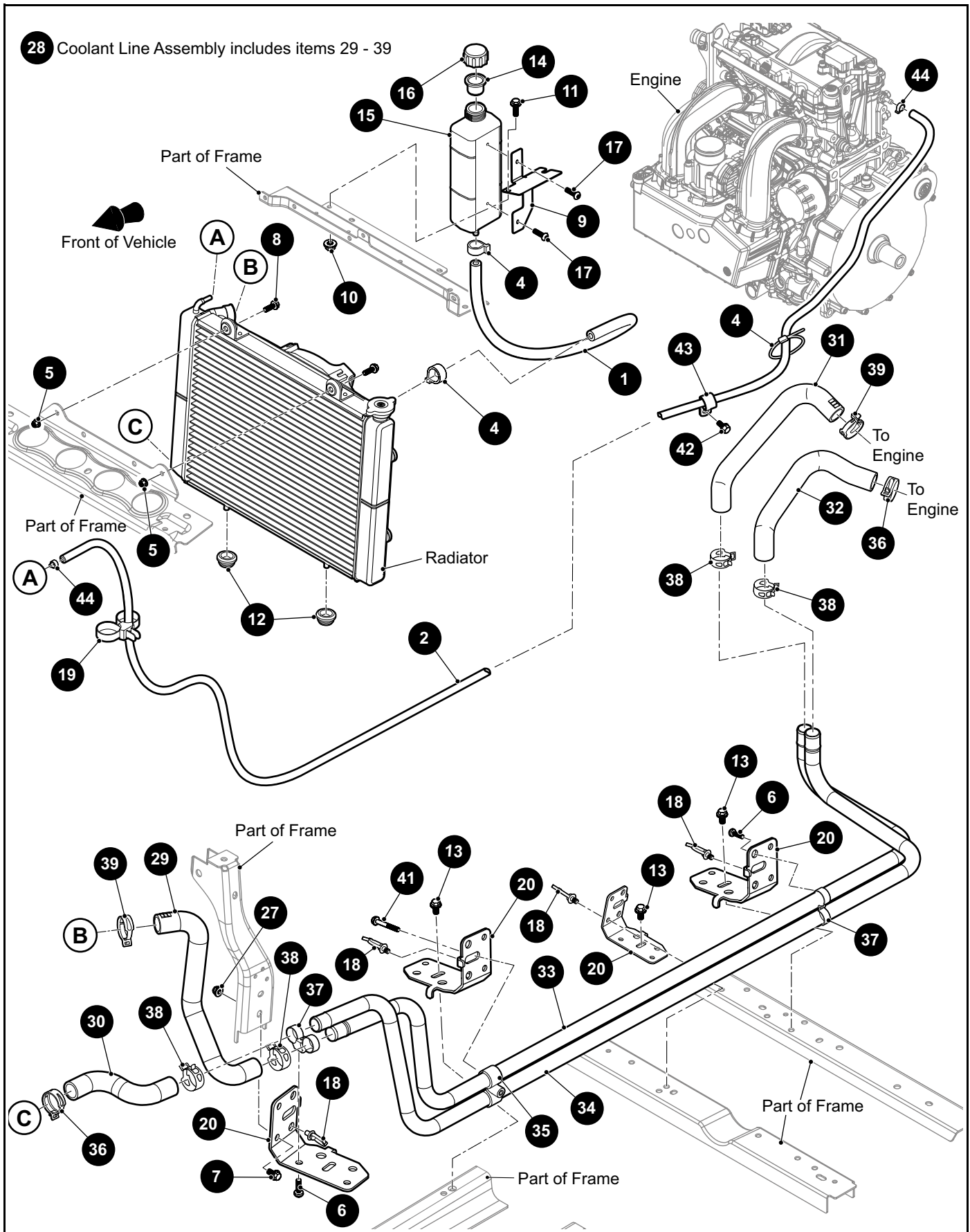


ENGINE COOLING SYSTEM

THE USE OF NON U.L. PARTS WILL VOID ANY U.L. LISTING.
 When ordering parts, please specify the model and serial number of the product.
 * Indicates a component that is not available as an individual part.
 *** Indicates consult Customer Service Department for additional information.

ITEM	PART NO.	1 2 3 4 5	DESCRIPTION	QTY.
1	654950		Radiator Assembly (Includes Items 2 - 5)	1
2	662322		Radiator	1
3	653685		Radiator Cap	1
4	653688		Radiator Fan Assembly	1
5	653686		Heat Proof Lagging Assembly	2

ENGINE COOLING SYSTEM



ENGINE COOLING SYSTEM

THE USE OF NON U.L. PARTS WILL VOID ANY U.L. LISTING.

When ordering parts, please specify the model and serial number of the product.

* Indicates a component that is not available as an individual part.

*** Indicates consult Customer Service Department for additional information.

ITEM	PART NO.	1 2 3 4 5	DESCRIPTION	QTY.
1	664809G04		Coolant Hose (Overflow to Radiator), 6.35mm I.D.....	1
2	664809G05		Coolant Bleed Hose (Engine to Radiator), 6.35mm I.D.	1
3				
4	17618G1		Nylon Clamp, 8" Lg	3
5	601476		Lock Nut, M6 - 1.....	2
6	649804		Button Head Torx Screw, M8 - 3.5 x 30mm Lg.....	2
7	606261		Flanged Hex Head Bolt, M8 - 1.25 x 20mm Lg, Grade 8.8.....	1
8	606421		Flanged Hex Head Bolt, M6 - 1 x 30mm Lg, Grade 8.8	2
9	677976G0390		Mounting Bracket	1
10	601476		Lock Nut, M6 - 1.....	1
11	606421		Flanged Hex Head Bolt, M6 - 1 x 30mm Lg, Grade 8.8.....	1
12	638668		Grommet (Seat Retention).....	2
13	640723		Self Tapping Screw, M8 - 1.25 x 20mm Lg.....	3
14	0413-329		Coolant Tank Sleeve	1
15	0413-320		Coolant Tank	1
16	0413-328		Coolant Tank Cap.....	1
17	8475-512		Truss Head Screw, M5 - .8 x 12mm Lg.....	2
18	645340		Cable Tie	4
19	645341		Clamp Tie (Dual)	1
20	674484G0390		Routing Bracket.....	4
21				
22				
23				
24				
25				
26				
27	645956		Flanged Hex Lock Nut, M8 - 1.25	1
28	660414		Coolant Line Assembly (Includes Items 29 - 39).....	1
29	660418		Coolant Hose (Radiator to Outlet Tube), 25.4mm I.D.....	1
30	662109		Coolant Hose (Radiator to Inlet Tube), 25.4mm I.D.	1
31	642165		Coolant Hose (Inlet Tube to Engine), 25.4mm I.D.....	1

ENGINE COOLING SYSTEM

THE USE OF NON U.L. PARTS WILL VOID ANY U.L. LISTING.

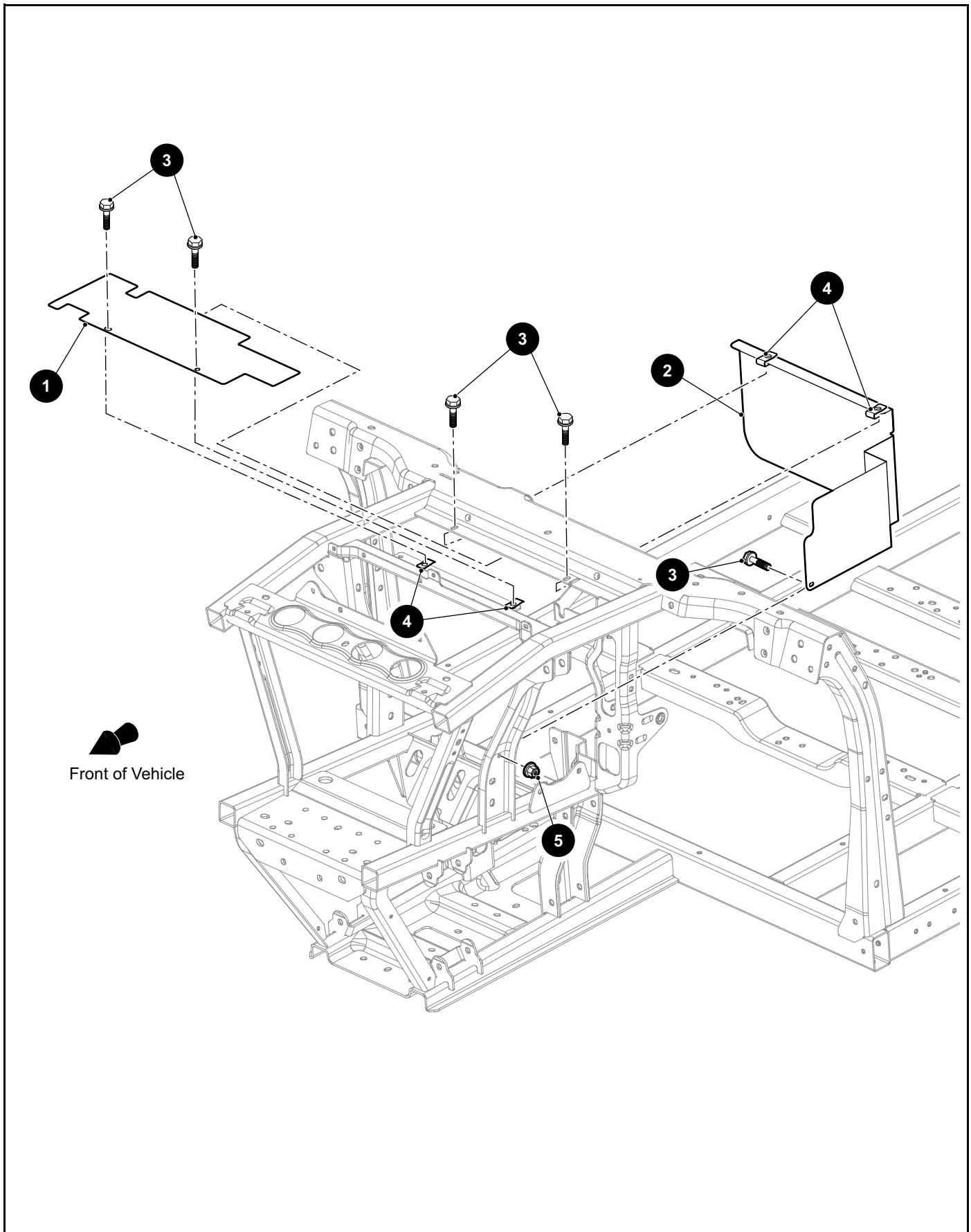
When ordering parts, please specify the model and serial number of the product.

* Indicates a component that is not available as an individual part.

*** Indicates consult Customer Service Department for additional information.

ITEM	PART NO.	1	2	3	4	5	DESCRIPTION	QTY.
32	642166						Coolant Hose (Outlet Tube to Engine), 25.4mm I.D.....	1
33	642402						Hard Coolant Line (Radiator In).....	1
34	642403						Hard Coolant Line (Radiator Out)	1
35	649639						Coolant Bracket.....	1
36	650169						Hose Clamp (Coolant Lines).....	2
37	650170						Double Band Clamp (Coolant Lines).....	2
38	658731						Hose Clamp (Hose to Line).....	4
39	663966						Hose Clamp (Coolant Lines), 12mm	2
40								
41	650089						Flanged Hex Head Bolt, M6 - 1 x 50mm Lg	1
42	606265						Flanged Hex Head Bolt, M6 - 1 x 12mm Lg, Grade 8.8	1
43	814924						Tube Clamp	1
44	11391G4						Hose Clamp, .25".....	2

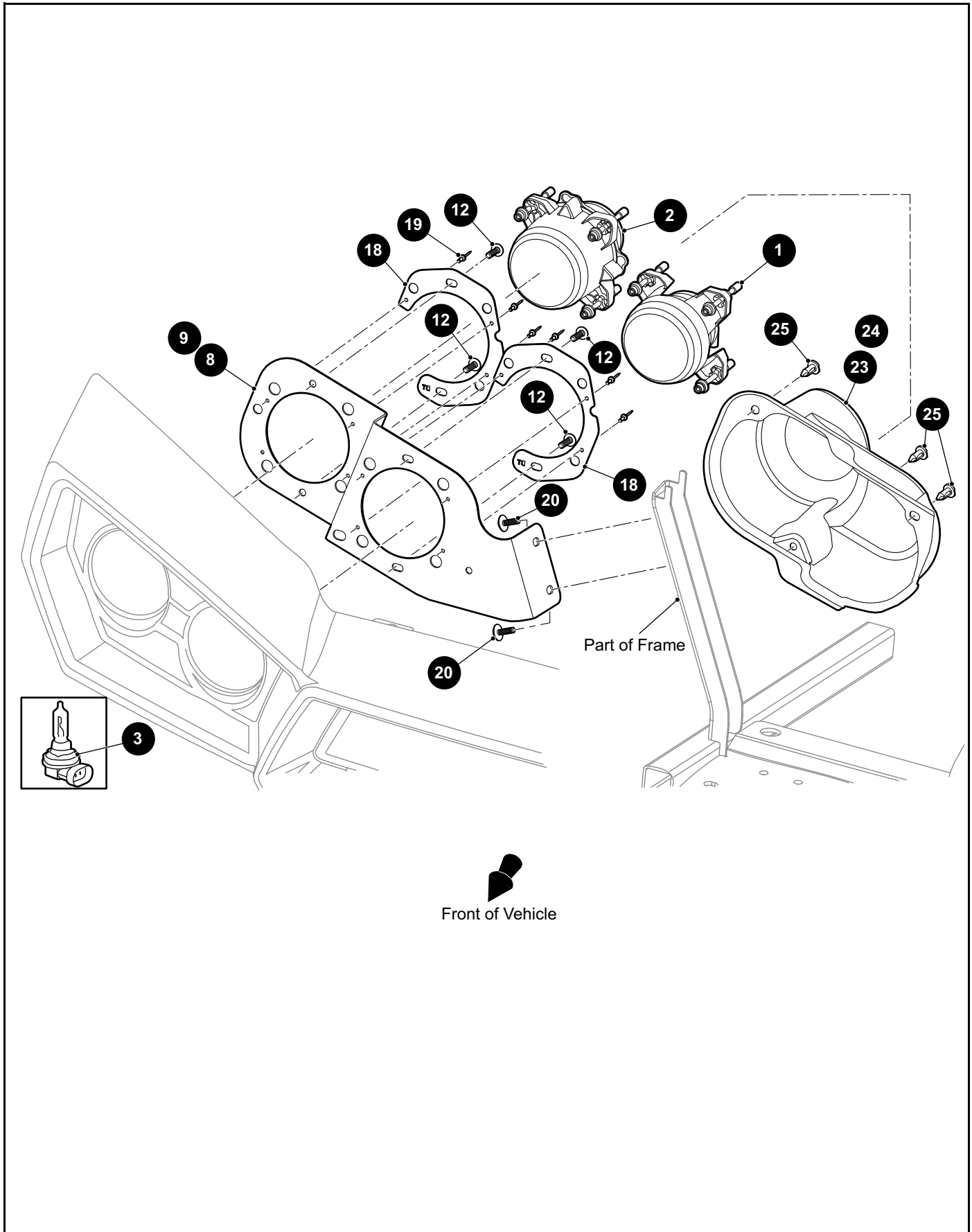
ENGINE COOLING SYSTEM



ENGINE COOLING SYSTEM

THE USE OF NON U.L. PARTS WILL VOID ANY U.L. LISTING.
 When ordering parts, please specify the model and serial number of the product.
 * Indicates a component that is not available as an individual part.
 *** Indicates consult Customer Service Department for additional information.

ITEM	PART NO.	1 2 3 4 5	DESCRIPTION	QTY.
1	666256		Radiator Closeout (Upper)	1
2	660015G0390		Heat Shield Cab (Lower).....	1
3	606264		Flanged Hex Head Bolt, M6 - 1 x 20mm Lg, Grade 8.8	5
4	602409		Barrel Clip, M6 - 1	4
5	601476		Lock Nut, M6 - 1	1



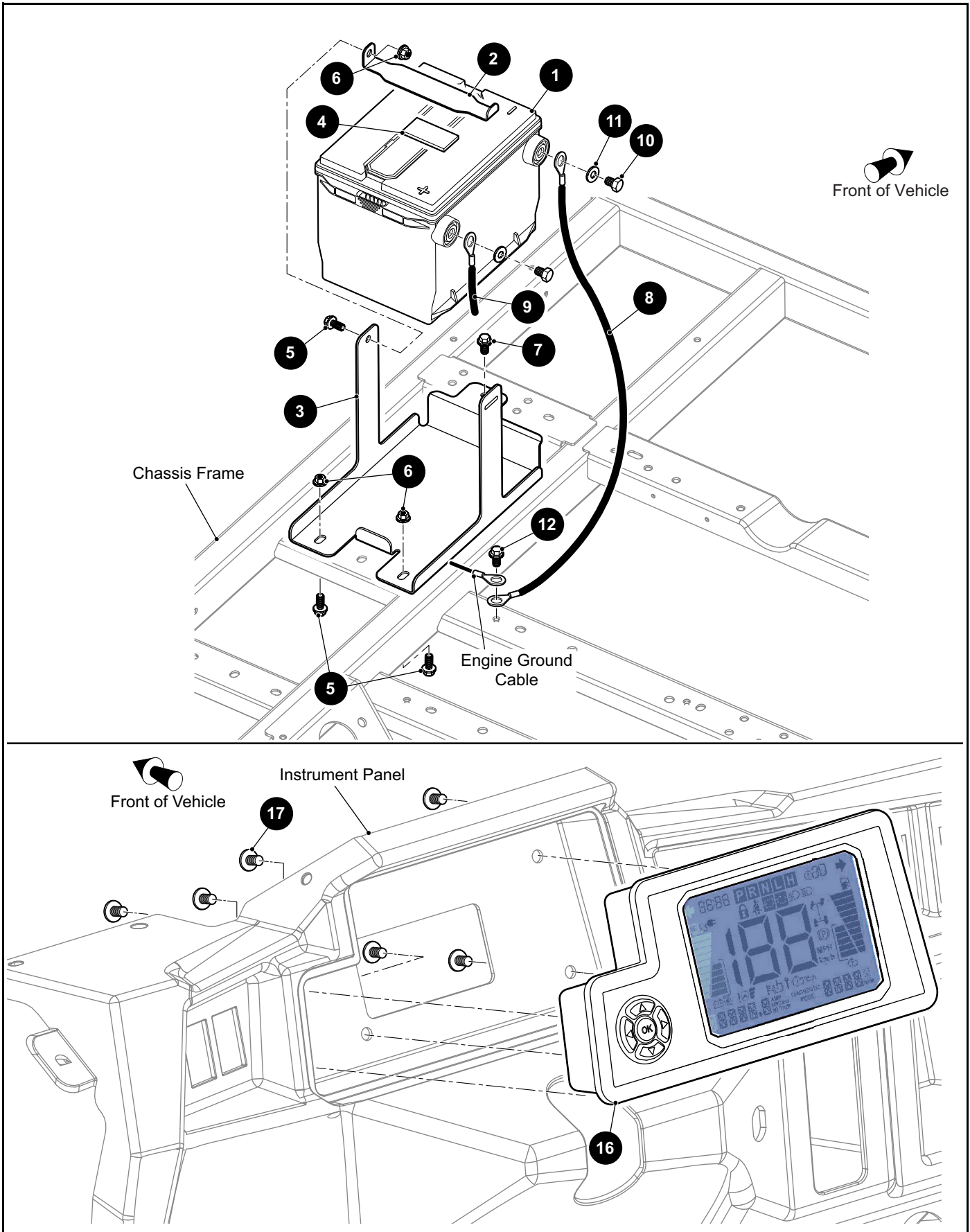
THE USE OF NON U.L. PARTS WILL VOID ANY U.L. LISTING.

When ordering parts, please specify the model and serial number of the product.

* Indicates a component that is not available as an individual part.

*** Indicates consult Customer Service Department for additional information.

ITEM	PART NO.	1 2 3 4 5	DESCRIPTION	QTY.
1	650932		Headlight (High Beam).....	1
2	650934		Headlight (Low Beam).....	1
3	654324		Headlight Bulb.....	1
4				
5				
6				
7				
8	643300G1390		Headlight Bracket (Driver Side).....	1
9	643300G2390		Headlight Bracket (Passenger Side).....	1
10				
11				
12	646047		Plastite Screw, M6 - 2.14 x 20mm Lg.....	4
13				
14				
15				
16				
17				
18	647304G0390		Headlight Bracket (Riveted)	1
19	647586		Rivet (Domed), 1/8"	6
20	644969		Pan Washer Head Self Tapping Screw, M6 - 1 x 20mm Lg	2
21				
22				
23	655275G01		Headlight Cover (Driver Side)	1
24	655275G02		Headlight Cover (Passenger Side).....	1
25	667790		Removable Rivet, .320"	6



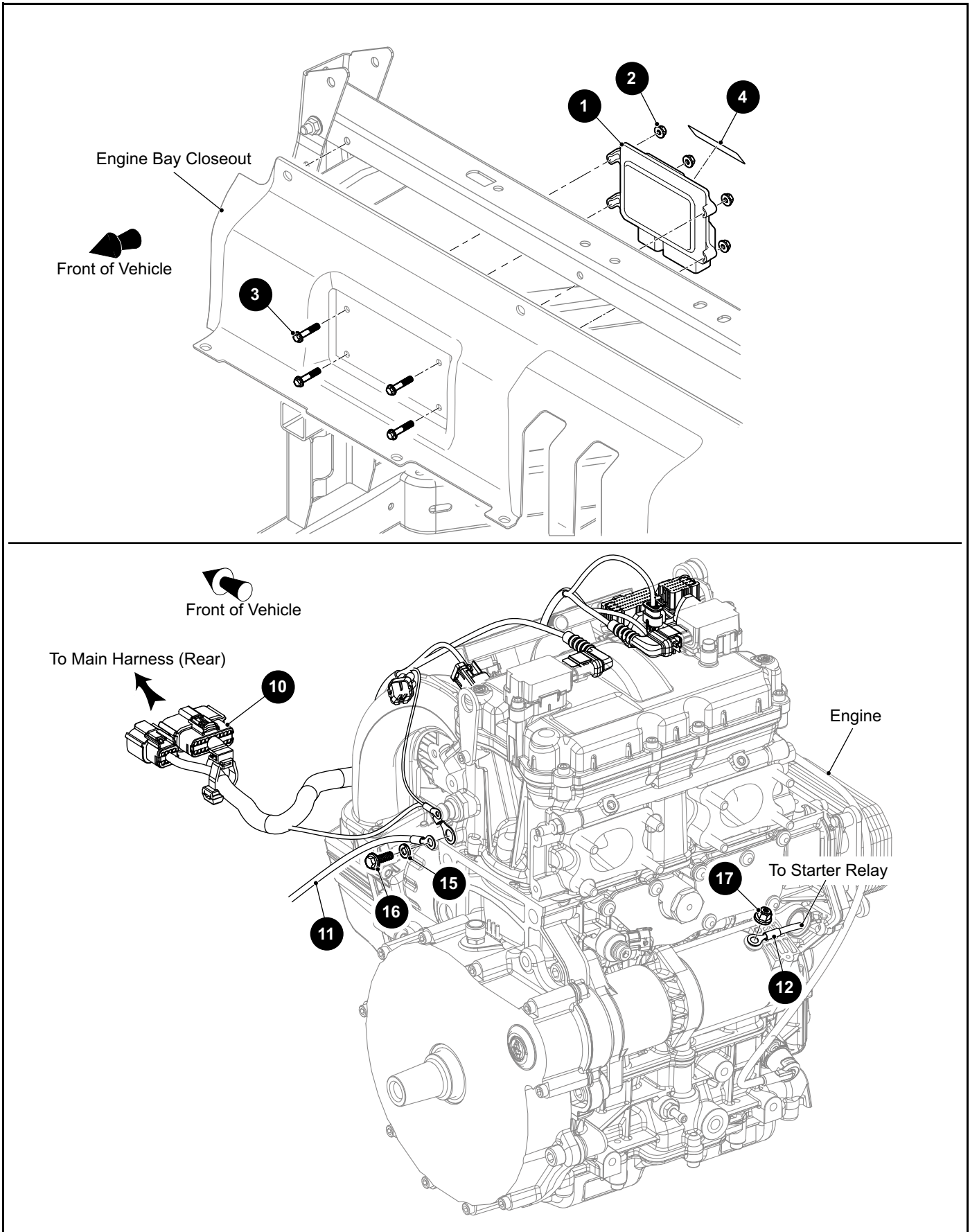
THE USE OF NON U.L. PARTS WILL VOID ANY U.L. LISTING.

When ordering parts, please specify the model and serial number of the product.

* Indicates a component that is not available as an individual part.

*** Indicates consult Customer Service Department for additional information.

ITEM	PART NO.	1 2 3 4 5	DESCRIPTION	QTY.
1	637484		Battery, 12V.....	1
2	643272G0390		Battery Hold Down	1
3	645960G0390		Battery Tray.....	1
4	608513		Rubber Pad.....	1
5	606261		Flanged Hex Head Bolt, M8 - 1.25 x 20mm Lg, Grade 8.8.....	3
6	645956		Flanged Lock Nut, M8 - 1.25.....	3
7	640723		Self Tapping Screw, M8 - 1.25 x 20mm Lg.....	1
8	641525		#6 AWG Cable (Frame to Battery Negative).....	1
9	646448		#6 AWG Cable (Fuse to Battery Positive).....	1
10	651336		Battery Bolt.....	2
11	614221		Flat Washer, 3/8".....	2
12	452695		Taptite Screw, M6 - 1 x 20mm Lg.....	1
13				
14				
15				
16	654517G05		Display Assembly.....	1
17	645881		Button Head Torx Screw, M6 - 2.14 x 10mm Lg.....	6



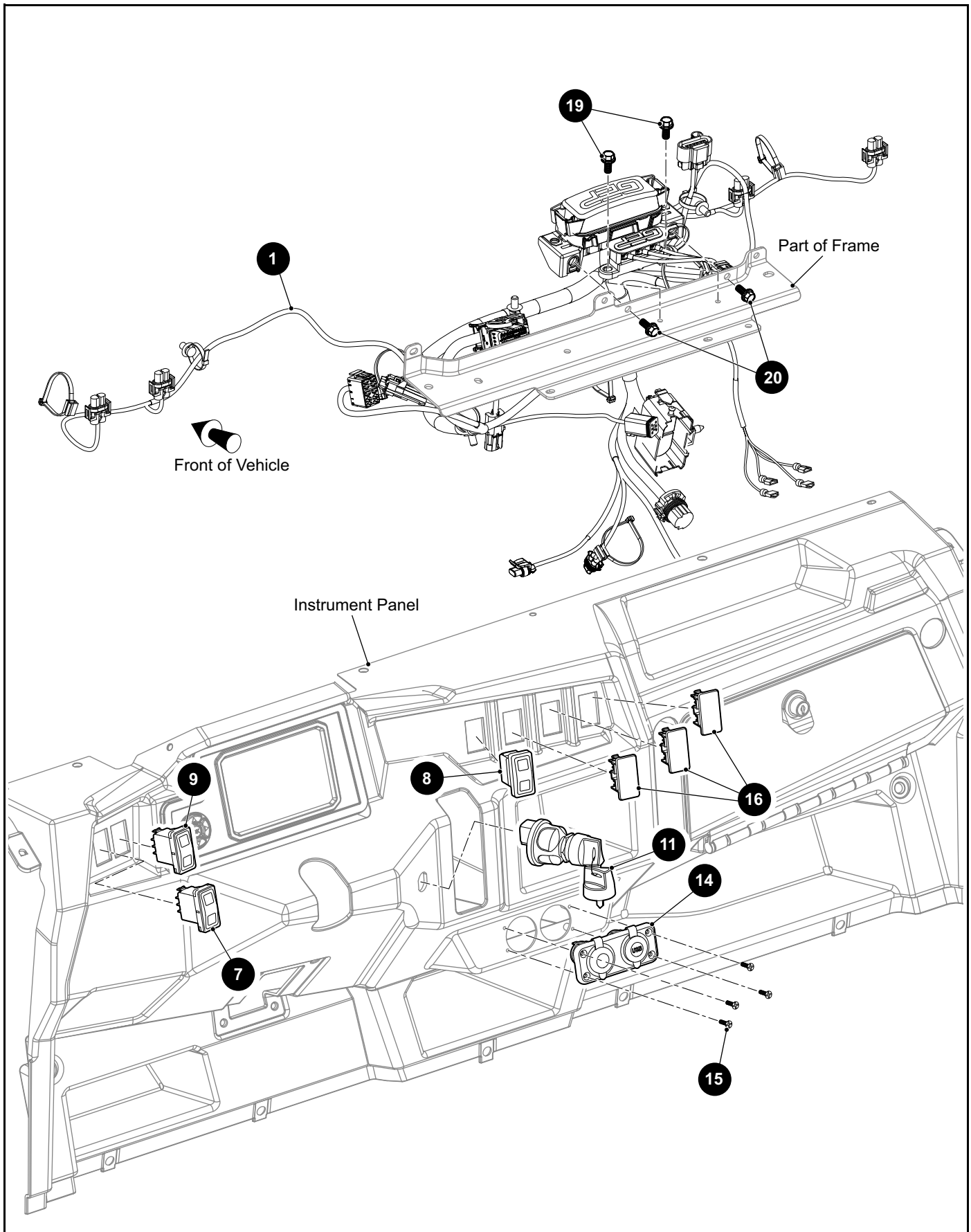
THE USE OF NON U.L. PARTS WILL VOID ANY U.L. LISTING.

When ordering parts, please specify the model and serial number of the product.

* Indicates a component that is not available as an individual part.

*** Indicates consult Customer Service Department for additional information.

ITEM	PART NO.	1 2 3 4 5	DESCRIPTION	QTY.
1	405644		Engine Control Unit.....	1
2	601476		Lock Nut, M6 - 1.....	4
3	606421		Flanged Hex Head Bolt, M6 - 1 x 30mm Lg, Grade 8.8.....	4
4	649763G01		Engine Control Unit Label.....	1
5				
6				
7				
8				
9				
10	658575		Engine Harness.....	1
11	641526		#6 AWG Engine Ground Cable.....	1
12	641524		#6 AWG Starter Motor Cable.....	1
13				
14				
15	601327		Lock Washer, 6mm.....	1
16	606264		Flanged Hex Head Bolt, M6 - 1 x 20mm Lg, Grade 8.8.....	1
17	601476		Lock Nut, M6 - 1.....	1
18	660496G01		Connector (Not Illustrated).....	1
19	31539G1		Nylon Clamp, 15.5" Lg (Not Illustrated).....	1



THE USE OF NON U.L. PARTS WILL VOID ANY U.L. LISTING.

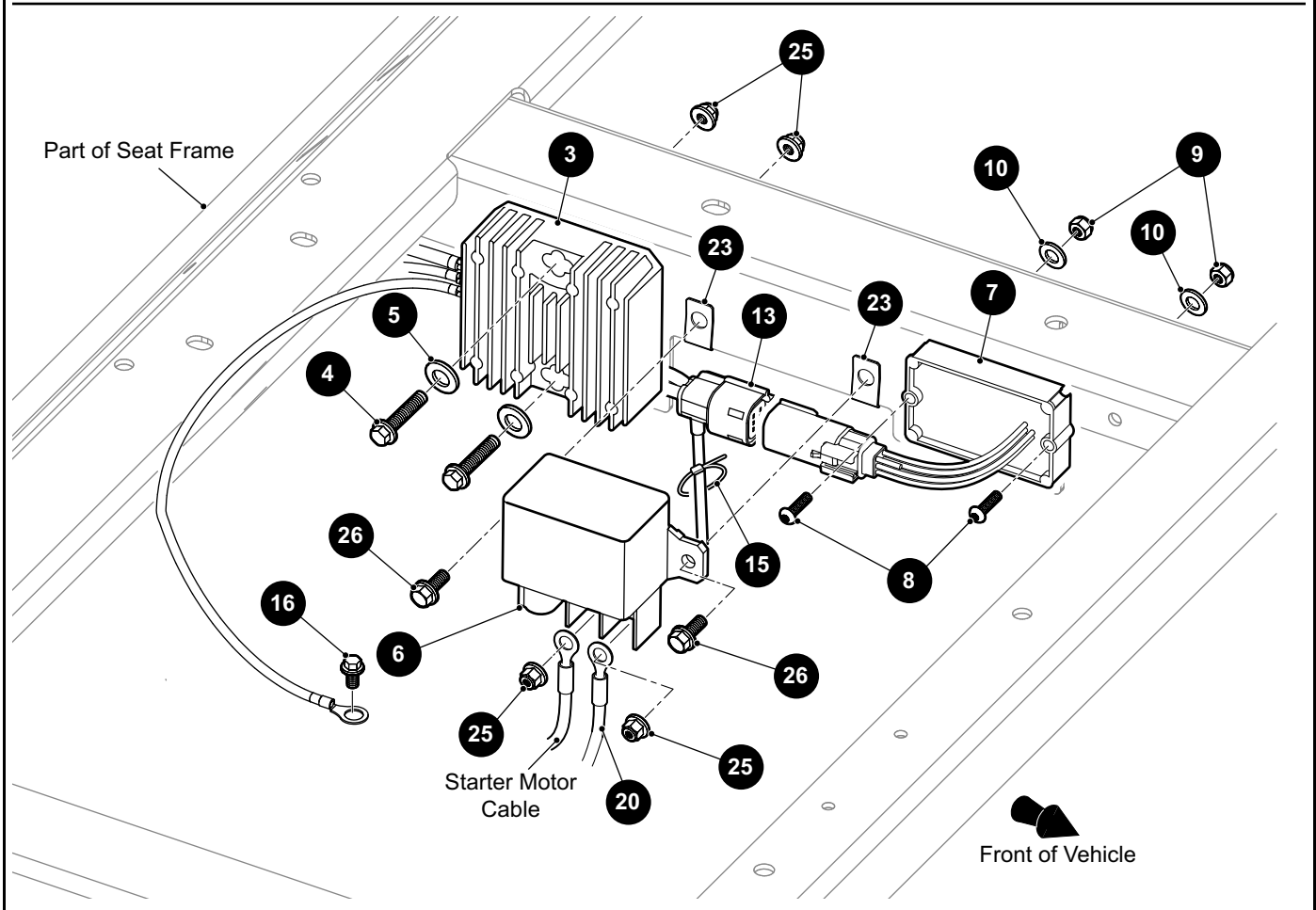
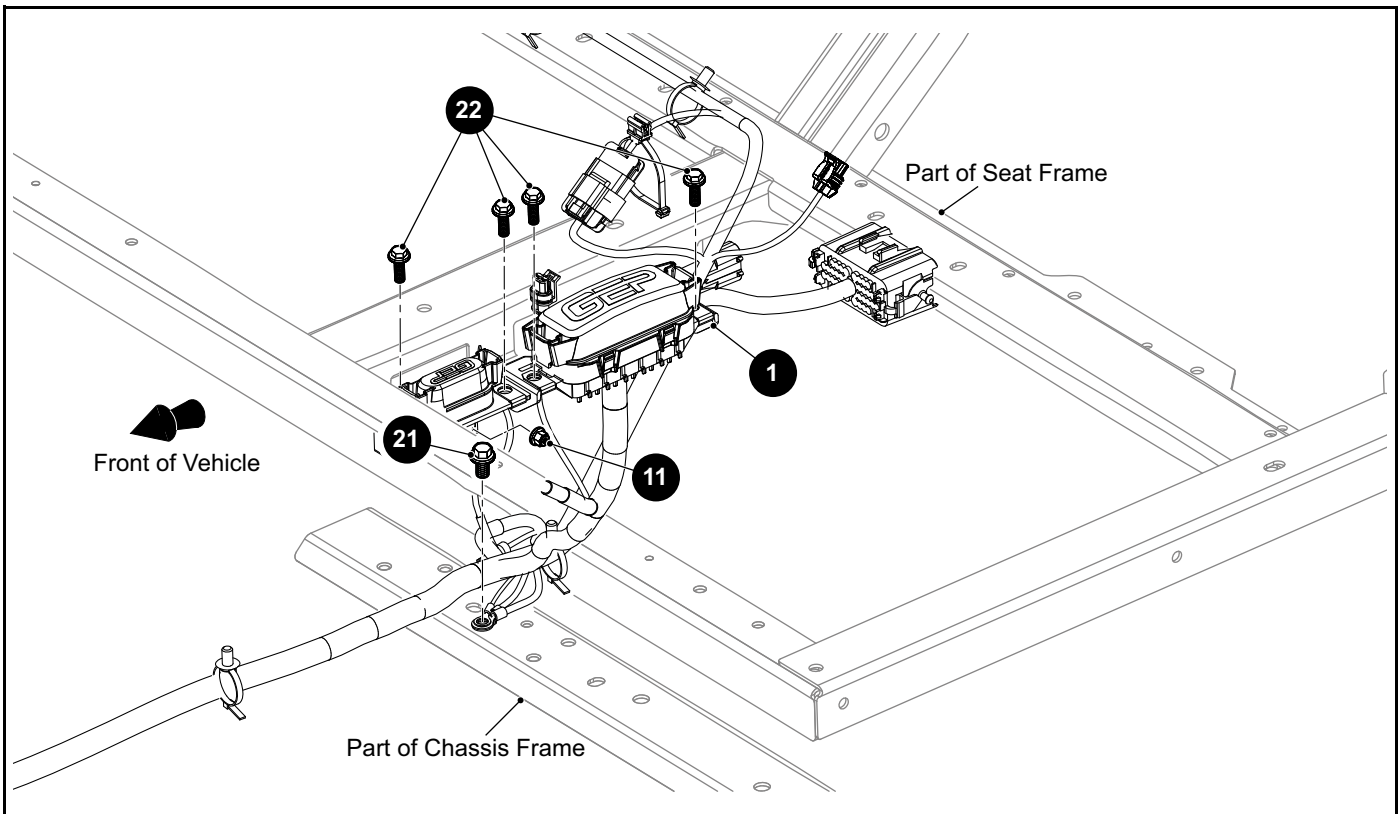
When ordering parts, please specify the model and serial number of the product.

* Indicates a component that is not available as an individual part.

*** Indicates consult Customer Service Department for additional information.

ITEM	PART NO.	1 2 3 4 5	DESCRIPTION	QTY.
1	656555		Main Harness (Front)	1
2				
3				
4				
5				
6				
7	644522		Switch (Differential Lock)	1
8	638267		Switch (Hi/Low Beam).....	1
9	644523		Switch (4WD)	1
10				
11	640923		Keyswitch with Key	1
12				
13				
14	654608		12V USB Port.....	1
15	71425G01		Tapping Screw, #8 - 18 x 3/4" Lg	4
16	627035		Switch Plug	3
17				
18				
19	452695		Taptite Screw, M6 - 1 x 20mm Lg.....	2
20	606264		Flanged Hex Head Bolt, M6 -1 x 20mm Lg, Grade 8.8	2

ELECTRICAL



THE USE OF NON U.L. PARTS WILL VOID ANY U.L. LISTING.

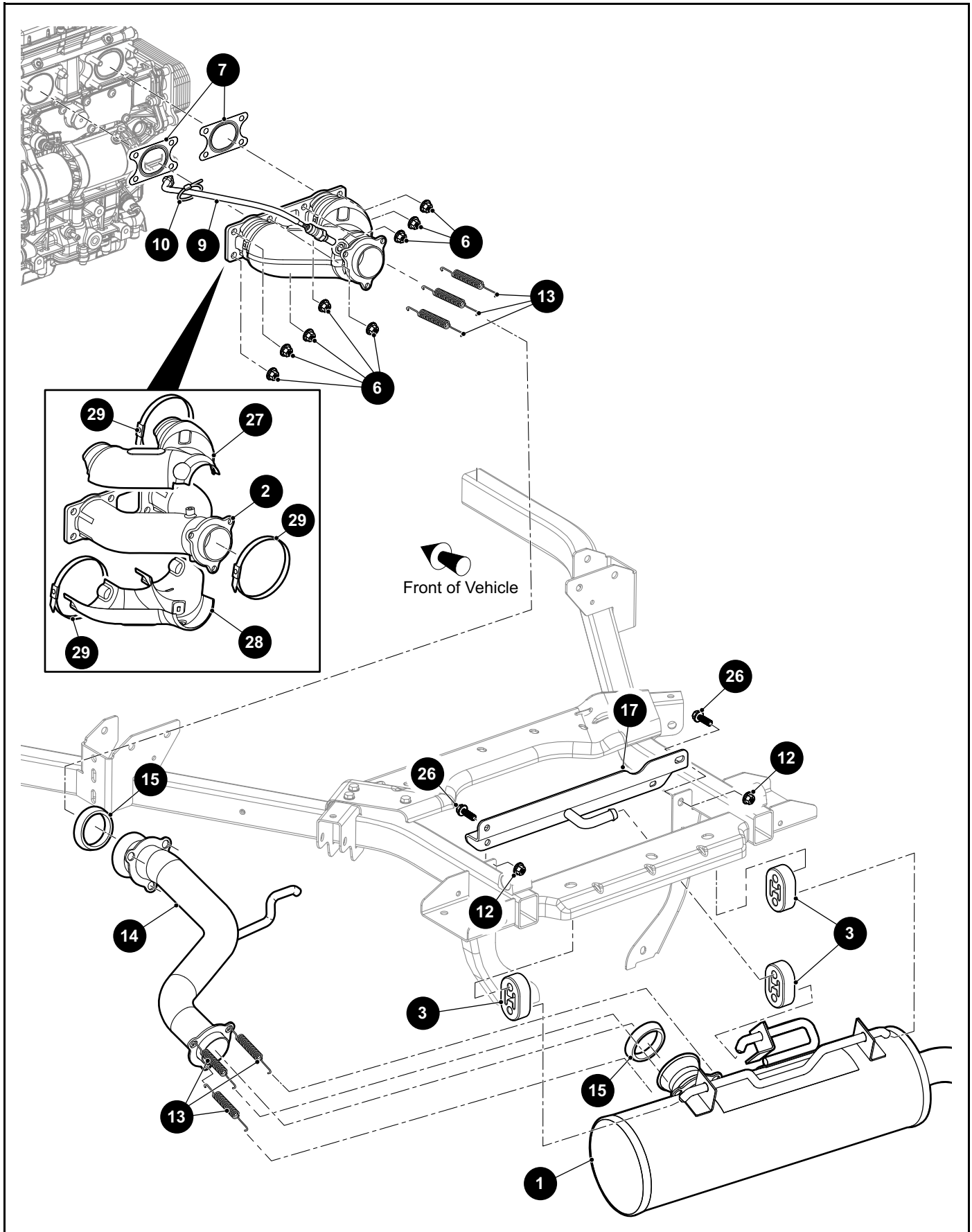
When ordering parts, please specify the model and serial number of the product.

* Indicates a component that is not available as an individual part.

*** Indicates consult Customer Service Department for additional information.

ITEM	PART NO.	1 2 3 4 5	DESCRIPTION	QTY.
1	656556		Main Harness (Rear).....	1
2				
3	407227		Voltage Regulator.....	1
4	643471		Flanged Hex Head Bolt, M6 - 1 x 35mm Lg.....	2
5	308090		Flat Washer, 1/4".....	2
6	405225		Starter Relay.....	1
7	639456		Solenoid Controller (Rear Differential)	1
8	00379G2		Pan Head Phillips Screw, #10 - 24 x 1 1/4" Lg.....	2
9	14390G10		Lock Nut, #10 - 24.....	2
10	00559G5		Flat Washer, #10.....	2
11	601476		Lock Nut, M6 - 1.....	1
12				
13	657215		Rear Differential Harness.....	1
14	646441		Cable Tie (Edge Clip) (Not Illustrated)	1
15	31539G1		Nylon Clamp, 15.5" Lg.....	5
16	452695		Taptite Screw, M6 - 1 x 20mm Lg.....	1
17				
18				
19				
20	641523		#6 AWG Cable (Fuse).....	1
21	640723		Self Tapping Screw, M8 - 1.25 x 20mm Lg.....	1
22	606264		Flanged Hex Head Bolt, M6 - 1 x 20mm Lg, Grade 8.8.....	4
23	602409		Barrel Clip, M6 - 1.....	2
24				
25	601476		Lock Nut, M6 - 1.....	4
26	606264		Flanged Hex Head Bolt, M6 - 1 x 20mm Lg, Grade 8.8.....	2

EXHAUST



THE USE OF NON U.L. PARTS WILL VOID ANY U.L. LISTING.

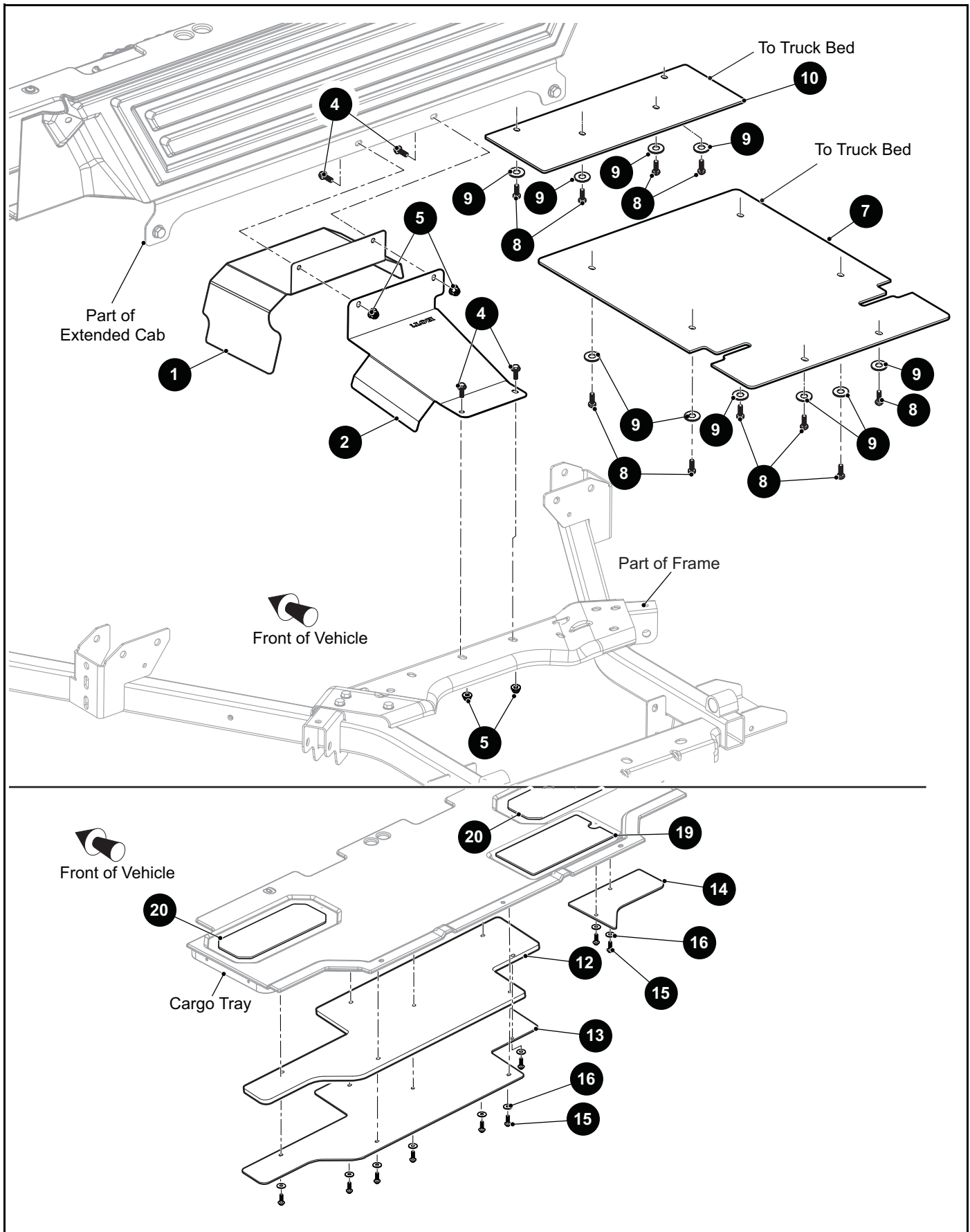
When ordering parts, please specify the model and serial number of the product.

* Indicates a component that is not available as an individual part.

*** Indicates consult Customer Service Department for additional information.

ITEM	PART NO.	1 2 3 4 5	DESCRIPTION	QTY.
1	657638		Exhaust Muffler	1
2	656796		Exhaust Header Pipe	1
3	667803		Exhaust Isolator	3
4				
5				
6	100737		Flanged Lock Nut, M8	8
7	101446		Header Gasket.....	2
8				
9	406241		Oxygen Sensor	1
10	17618G1		Nylon Clamp, 8" Lg	1
11	645340		Cable Tie (Not Illustrated)	1
12	645956		Flanged Hex Nut, M8 - 1.25	2
13	676550		Exhaust Spring.....	6
14	649715		Intermediate Pipe.....	1
15	649733		Gasket.....	2
16				
17	658229G0390		Muffler Support Bracket	1
18				
19				
20				
21				
22				
23				
24				
25				
26	606261		Flanged Hex Head Bolt, M8 - 1.25 x 20mm Lg, Grade 8.8.....	2
27	684357		Upper Heat Shield (Exhaust Manifold).....	1
28	684356		Lower Heat Shield (Exhaust Manifold).....	1
29	680876		Bandit Clamp, 2"	3

EXHAUST



THE USE OF NON U.L. PARTS WILL VOID ANY U.L. LISTING.

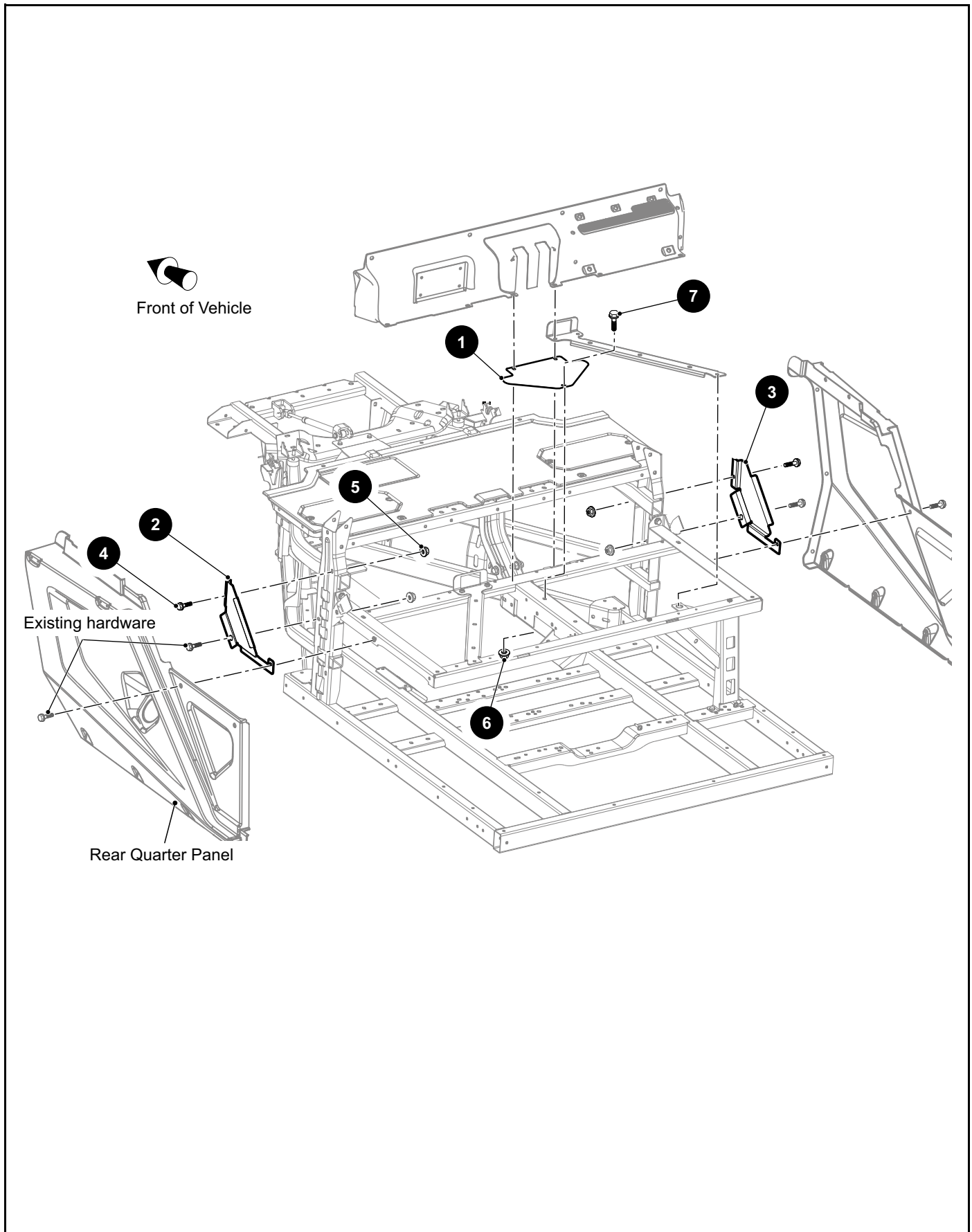
When ordering parts, please specify the model and serial number of the product.

* Indicates a component that is not available as an individual part.

*** Indicates consult Customer Service Department for additional information.

ITEM	PART NO.	1 2 3 4 5	DESCRIPTION	QTY.
1	663596		Heat Shield Bracket (Cab)	1
2	658252		Heat Shield Bracket (Bed).....	1
3				
4	606264		Flanged Hex Head Bolt, M6 - 1 x 20mm Lg, Grade 8.8	4
5	601476		Lock Nut, M6 - 1	4
6				
7	649832		Heat Shield (Bed).....	1
8	646047		Plastite Screw, M6 - 2.14 x 20mm Lg.....	10
9	00793G2		Flat Washer (SS), 1/4"	10
10	653421		Heat Shield, Front (Bed)	1
11				
12	658439		Heat Shield (Extended Cab)	1
13	653387		Heat Shield (Extended Cab Tray)	1
14	649944		Heat Shield (Extended Cab Outer Tray)	1
15	646047		Plastite Screw, M6 - 2.14 x 20mm Lg.....	9
16	00793G2		Flat Washer (SS), 1/4"	9
17				
18				
19	671135		Heat Shield (Extended Cab Access Panel).....	1
20	671136		Heat Shield (Extended Cab Storage Pocket).....	2

EXHAUST



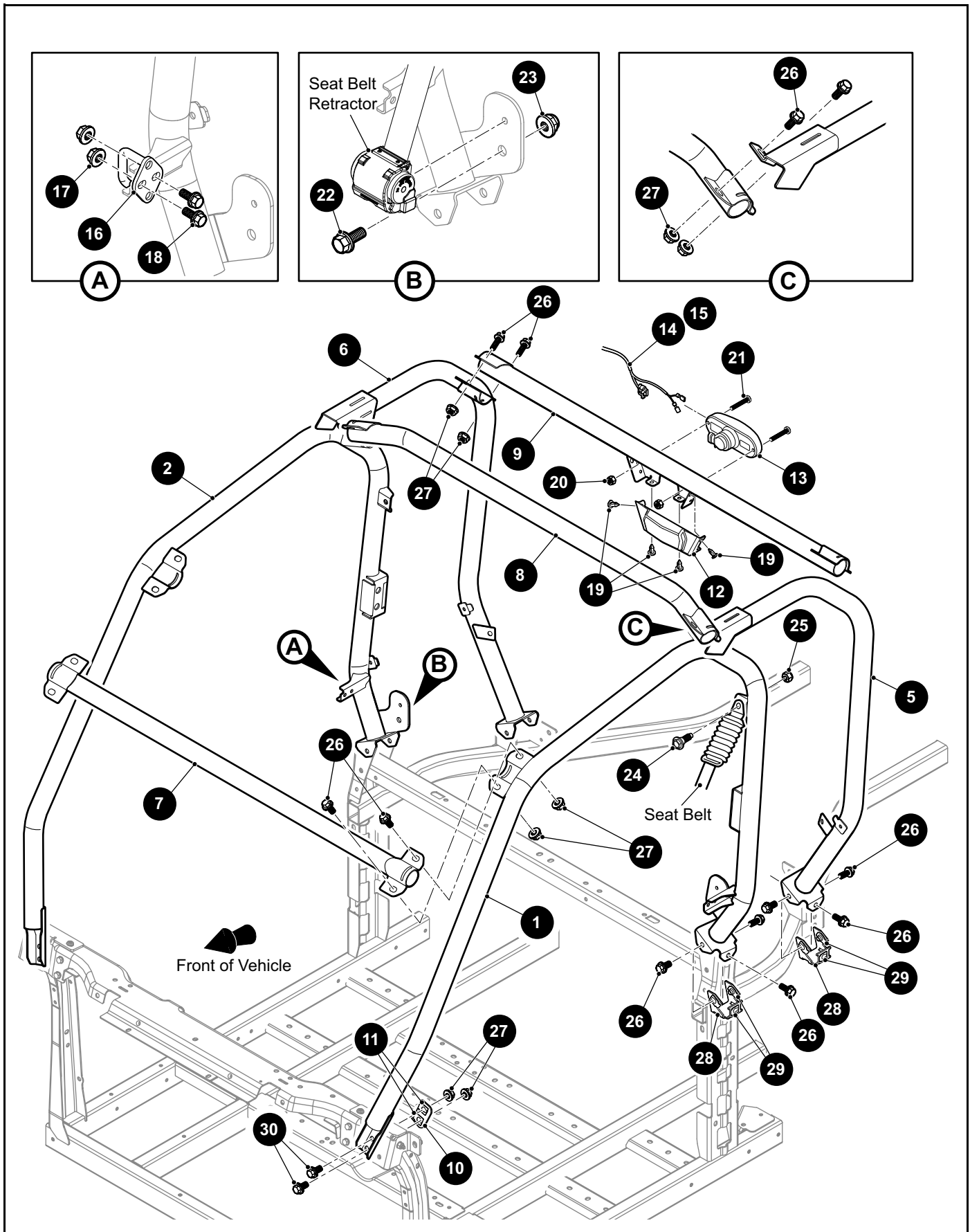
THE USE OF NON U.L. PARTS WILL VOID ANY U.L. LISTING.

When ordering parts, please specify the model and serial number of the product.

* Indicates a component that is not available as an individual part.

*** Indicates consult Customer Service Department for additional information.

ITEM	PART NO.	1 2 3 4 5	DESCRIPTION	QTY.
1	666260		Seat Heat Shield	1
2	658517G1390		Seat Belt Anchor Cover (Driver Side).....	1
3	658517G2390		Seat Belt Anchor Cover (Passenger Side).....	1
4	606261		Flanged Hex Head Bolt, M8 - 1.25 x 20mm Lg, Grade 8.8.....	2
5	645956		Flanged Hex Head Nut, M8 x 1.25.....	2
6	601476		Lock Nut, M6 - 1.....	1
7	606264		Flanged Hex Head Bolt, M6 - 1 x 20mm Lg, Grade 8.8.....	1



THE USE OF NON U.L. PARTS WILL VOID ANY U.L. LISTING.

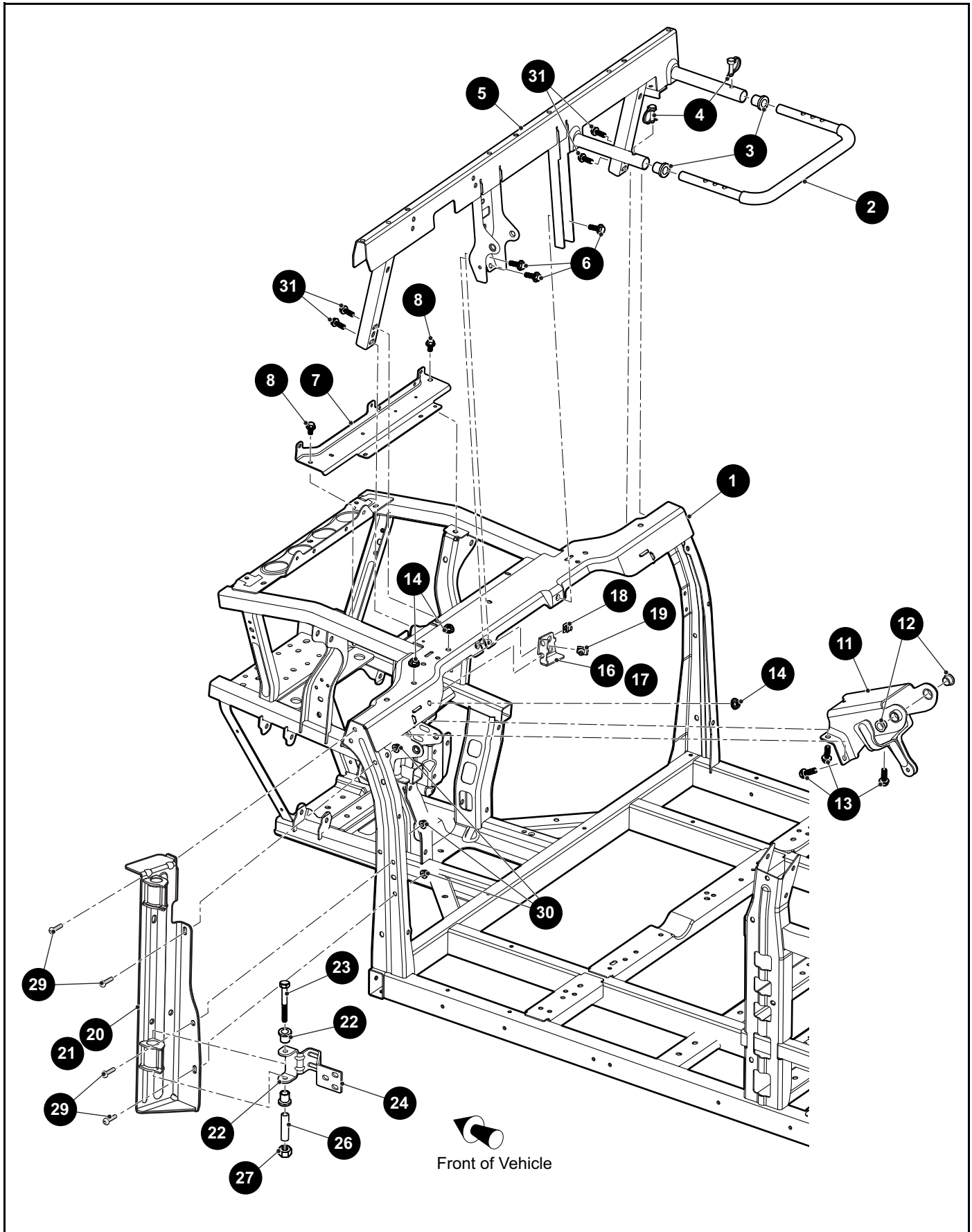
When ordering parts, please specify the model and serial number of the product.

* Indicates a component that is not available as an individual part.

*** Indicates consult Customer Service Department for additional information.

ITEM	PART NO.	1 2 3 4 5	DESCRIPTION	QTY.
1	664654G1397		Side Weldment (Driver Side).....	1
2	664654G2397		Side Weldment (Passenger Side).....	1
3				
4				
5	664661G1397		Extended Cab Weldment (Driver Side).....	1
6	664661G2397		Extended Cab Weldment (Passenger Side).....	1
7	664650G0397		Cross Tube.....	1
8	664652G0397		Cross Tube (Rear).....	1
9	664664G0397		Extended Cab Cross Tube.....	1
10	654391G0390		Mounting Plate (Barrel Clip).....	1
11	603818		Barrel Clip, M10 - 1.5.....	2
12	649127		Closeout.....	1
13	646704		Halogen Light Assembly.....	1
14	642474		Halogen Light Harness (For EPA Models Only).....	1
15	657288		Halogen Light Harness (For CARB Models Only).....	1
16	648643		Striker.....	1
17	654956		Flanged Hex Lock Nut, M8 - 1.25.....	2
18	606261		Flanged Hex Head Bolt, M8 - 1.25 x 20mm Lg, Grade 8.8.....	2
19	667790		Removable Rivet, .320".....	4
20	610683		Lock Nut, M5 - .8.....	2
21	8468-535		Pan Head Torx Screw, M5 - .8 x 35mm Lg.....	2
22	649013		Flanged Hex Head Bolt, M12 - 1.75 x 30mm Lg.....	2
23	648198		Lock Nut, M12 - 1.75.....	2
24	609569		Seat Belt Bolt, 7/16" - 20.....	2
25	00734G3		Lock Nut, 7/16" - 20.....	2
26	603799		Flanged Hex Head Bolt, M10 - 1.5 x 25mm Lg, Grade 8.8.....	12
27	600525		Lock Nut, M10 - 1.5.....	6
28	654109G0390		Mounting Bracket (Barrel Clip).....	2
29	603818		Barrel Clip, M10 - 1.5.....	6
30	649879		Flanged Hex Head Bolt, M10 - 1.5 x 30mm Lg, Grade 8.8.....	2

FRAME



THE USE OF NON U.L. PARTS WILL VOID ANY U.L. LISTING.

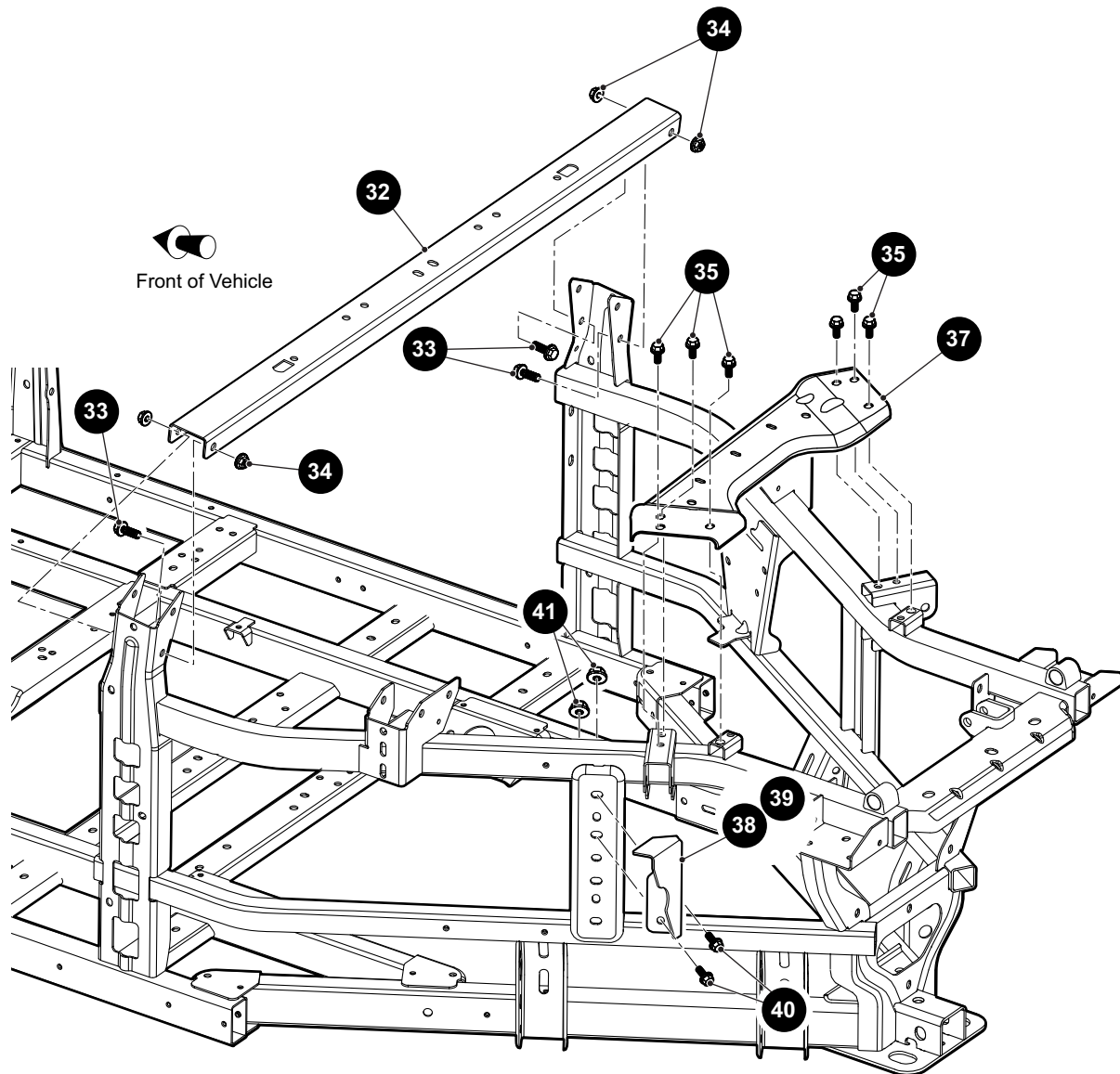
When ordering parts, please specify the model and serial number of the product.

* Indicates a component that is not available as an individual part.

*** Indicates consult Customer Service Department for additional information.

ITEM	PART NO.	1 2 3 4 5	DESCRIPTION	QTY.
1	674048G0390		Frame Weldment	1
2	648464		Passenger Hand Hold	1
3	644356		Flanged Bushing, 19.6mm I.D.....	2
4	646062		Lock Pin (Round Tab).....	2
5	644068G0390		Instrument Panel Support Weldment	1
6	640723		Self Tapping Screw, M8 - 1.25 x 20mm Lg.....	3
7	643952G0390		Shock Tower Brace, Front.....	1
8	640723		Self Tapping Screw, M8 - 1.25 x 20mm Lg.....	2
9				
10				
11	644144G0390		Steering Column Mount Weldment	1
12	647352		Flanged Bushing, 5/8"	2
13	603799		Flanged Hex Head Bolt, M10 - 1.5 x 25mm Lg, Grade 8.8.....	3
14	600525		Lock Nut, M10 - 1.5.....	3
15				
16	660710G1390		A-pillar Cap Bracket (Driver Side)	1
17	660710G2390		A-pillar Cap Bracket (Passenger Side)	1
18	603818		Barrel Clip, M10 - 1.5	2
19	649696		Barrel Clip, M8 - 1.5	2
20	659432G1390		Door Hinge Mounting Bracket (Driver Side).....	1
21	659432G2390		Door Hinge Mounting Bracket (Passenger Side)	1
22	637745		Flanged Bushing, 15.875mm Shaft.....	4
23	00665G9		Hex Head Bolt, 3/8" - 16 x 3 1/2" Lg	2
24	653191G0390		Door Hinge	2
25				
26	70289G02		Split Spacer (Steel)	2
27	11098G5		Lock Nut, 3/8" - 16	2
28				
29	628635		Pan Head Taptite Bolt, M8 - 1.25 x 30mm Lg, Grade 8.8	5
30	645956		Flanged Hex Nut, M8 x 1.25	3
31	640723		Self Tapping Screw, M8 - 1.25 x 20mm Lg.....	4

FRAME



THE USE OF NON U.L. PARTS WILL VOID ANY U.L. LISTING.

When ordering parts, please specify the model and serial number of the product.

* Indicates a component that is not available as an individual part.

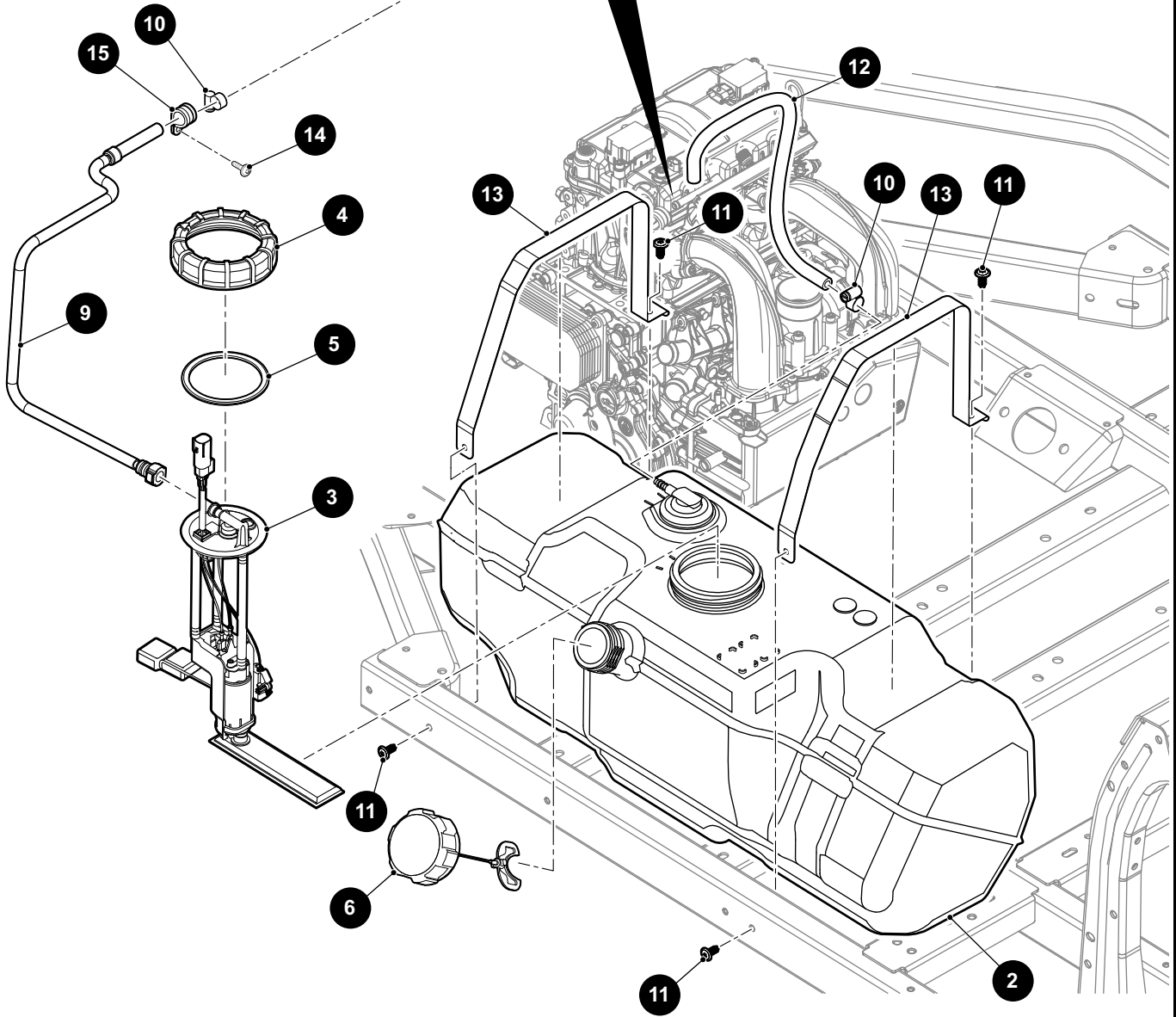
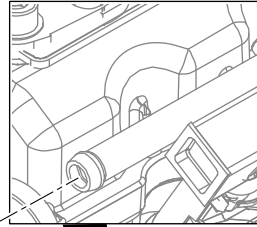
*** Indicates consult Customer Service Department for additional information.

ITEM	PART NO.	1 2 3 4 5	DESCRIPTION	QTY.
32	642503G0390		Crossmember (B-pillar).....	1
33	603799		Flanged Hex Head Bolt, M10 - 1.5 x 25mm Lg, Grade 8.8.....	4
34	600525		Lock Nut, M10 - 1.5.....	4
35	640723		Self Tapping Screw, M8 - 1.25 x 20mm Lg.....	6
36				
37	670661G0390		Shock Tower Brace, Rear.....	1
38	653159G1390		Bed Latch Bracket (Driver Side).....	1
39	653159G2390		Bed Latch Bracket (Passenger Side).....	1
40	603799		Flanged Hex Head Bolt, M10 - 1.5 x 25mm Lg, Grade 8.8.....	2
41	600525		Lock Nut, M10 - 1.5.....	2

FUEL SYSTEM

For EPA Models Only

Front of Vehicle



1 Fuel Tank Assembly includes items 2 - 6

FUEL SYSTEM

THE USE OF NON U.L. PARTS WILL VOID ANY U.L. LISTING.

When ordering parts, please specify the model and serial number of the product.

* Indicates a component that is not available as an individual part.

*** Indicates consult Customer Service Department for additional information.

ITEM	PART NO.	1 2 3 4 5	DESCRIPTION	QTY.
1	659538		Fuel Tank Assembly, 9 Gal. (34 Liter) (Includes Items 2 - 6).....	1
2	659536		Fuel Tank	1
3	642827		Fuel Pump with Sending Unit and Filter	1
4	642858		Locking Ring (Fuel Pump)	1
5	649707		Gasket	1
6	635688		Fuel Cap	1
7				
8				
9	664586		Fuel Hose.....	1
10	649481		Hose Clamp, 8 - 16mm	2
11	644969		Pan Washer Head Self Tapping Screw, M6 - 1 x 20mm Lg	4
12	649753		Vent Tube	1
13	652124		Strap	2
14	645323		Pan Washer Head Screw, M6 - 1 x 25mm Lg	1
15	404018		Tube Hanger Clamp.....	1

THE USE OF NON U.L. PARTS WILL VOID ANY U.L. LISTING.

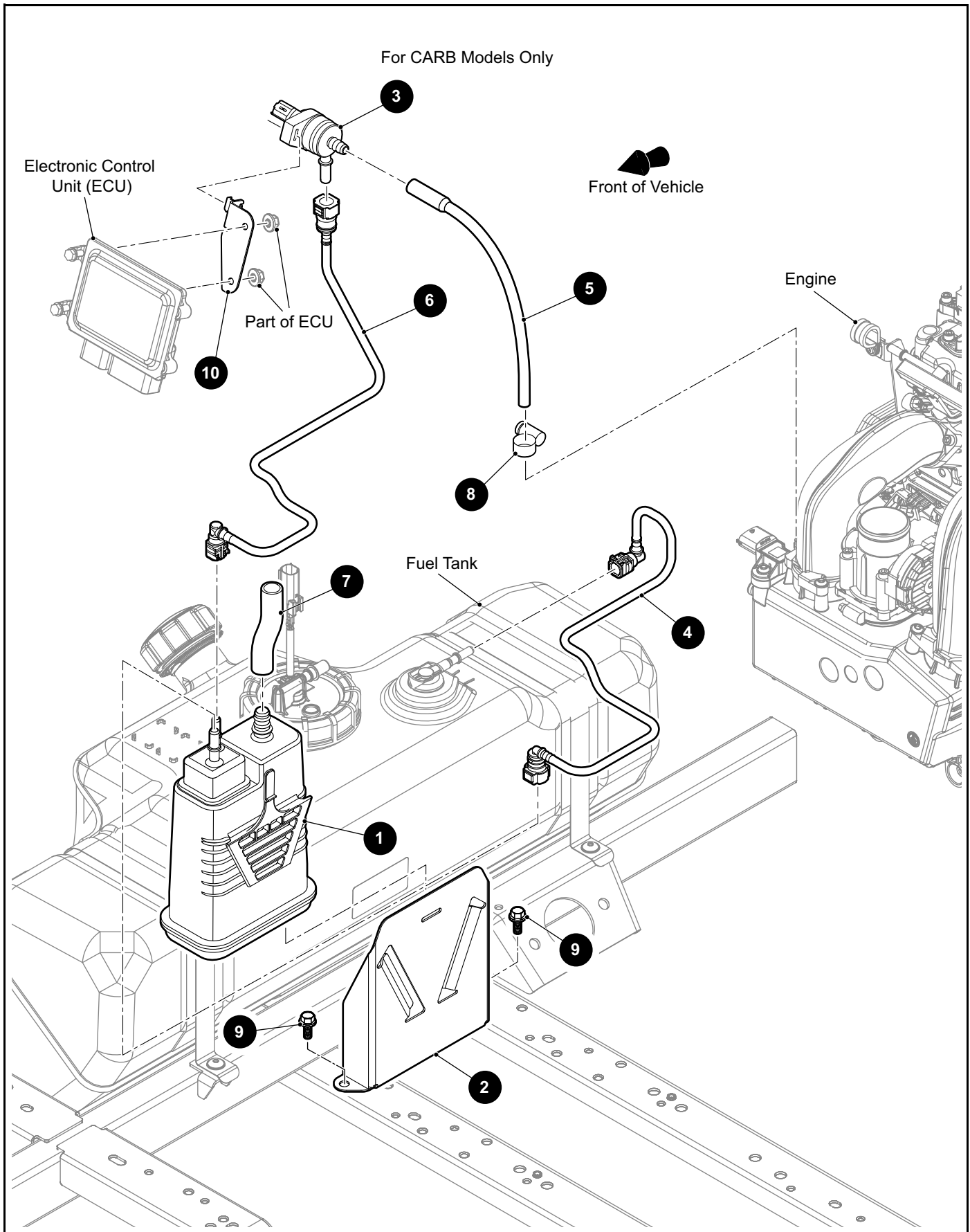
When ordering parts, please specify the model and serial number of the product.

* Indicates a component that is not available as an individual part.

*** Indicates consult Customer Service Department for additional information.

ITEM	PART NO.	1 2 3 4 5	DESCRIPTION	QTY.
1	659538		Fuel Tank Assembly (Includes Items 2 - 6)	1
2	659536		Fuel Tank	1
3	642827		Fuel Pump Assembly	1
4	642858		Locking Ring (Fuel Pump)	1
5	649707		Gasket	1
6	635688		Fuel Tank Cap	1
7				
8	663560		Fuel Hose	1
9	652124		Strap	2
10	644969		Pan Washer Head Self Tapping Screw, M6 - 1 x 20mm Lg	4
11	404018		Tube Clamp	1
12	645323		Pan Washer Head Torx Screw, M6 - 1 x 25mm Lg	1
13	649481		Hose Clamp, 8 - 16mm	1

FUEL SYSTEM



FUEL SYSTEM

THE USE OF NON U.L. PARTS WILL VOID ANY U.L. LISTING.
 When ordering parts, please specify the model and serial number of the product.
 * Indicates a component that is not available as an individual part.
 *** Indicates consult Customer Service Department for additional information.

ITEM	PART NO.	1 2 3 4 5	DESCRIPTION	QTY.
1	655381		Carbon Canister	1
2	655547G0390		Carbon Canister Mounting Bracket.....	1
3	657035		Purge Control Valve	1
4	656003		Hose (Vent to Canister).....	1
5	656004		Hose (Valve to Manifold).....	1
6	656269		Hose (Canister to Valve)	1
7	659198		Hose (Canister Breather)	1
8	11391G4		Hose Clamp, .25"	1
9	640723		Self Tapping Screw, M8 - 1.25 x 20mm Lg.....	2
10	657045G0390		Purge Valve Mounting Bracket.....	1

THE USE OF NON U.L. PARTS WILL VOID ANY U.L. LISTING.

When ordering parts, please specify the model and serial number of the product.

* Indicates a component that is not available as an individual part.

*** Indicates consult Customer Service Department for additional information.

ITEM	PART NO.	1 2 3 4 5	DESCRIPTION	QTY.
1	642000		Power Steering Unit, 12V.....	1
2	643649		Steering Mounting Bracket.....	1
3				
4				
5	639439		Steering Wheel Cover.....	1
6	601709		Lock Nut, M16 - 2.....	1
7	645956		Flanged Hex Lock Nut, M8 - 1.25.....	4
8				
9	606261		Flanged Hex Head Bolt, M8 - 1.25 x 20mm Lg, Grade 8.8.....	3
10	644978		Upper Intermediate Shaft.....	1
11	8409-020		Flanged Hex Head Bolt, M10 - 1.25 x 20mm Lg, Grade 10.9.....	4
12				
13	654736G0390		Stiffener Bracket.....	1
14	00551G1		Hex Nut (Internal Lock), 1/2" - 13.....	2
15				
16	643928		Shoulder Bolt, .63" Dia x 1/2 - 13 Thread x 3/4" Lg.....	2
17	625878		Hex Head Bolt, M8 - 1.25 x 35mm Lg.....	2
18				
19	639437		Steering Wheel.....	1
20	643923		Tilt Dampener.....	1
21	633649		Steering Column Assembly (Includes Item 22).....	1
22	647153		Steering Bushing.....	2
23				
24	634517		Steering Shaft.....	1
25				
26	646035		Shoulder Bolt, M6 - 1 x 31mm Lg.....	2
27	601476		Lock Nut, M6 - 1.....	2
28				
29				
30	606272		Lock Washer, 8mm.....	1
31				

THE USE OF NON U.L. PARTS WILL VOID ANY U.L. LISTING.

When ordering parts, please specify the model and serial number of the product.

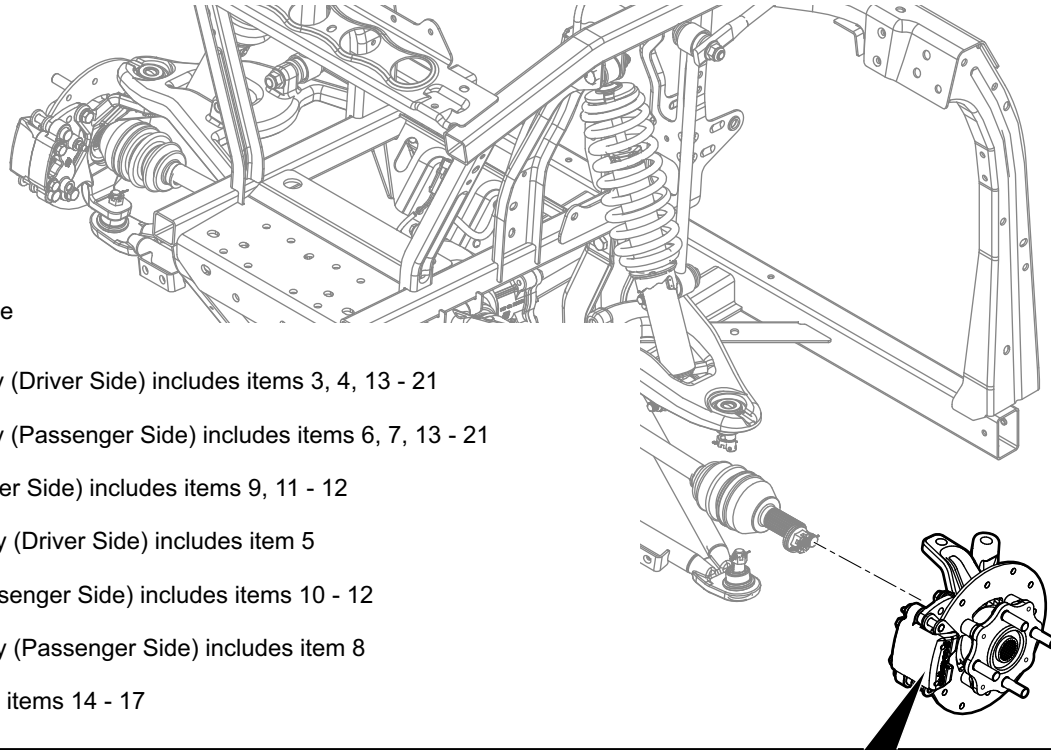
* Indicates a component that is not available as an individual part.

*** Indicates consult Customer Service Department for additional information.

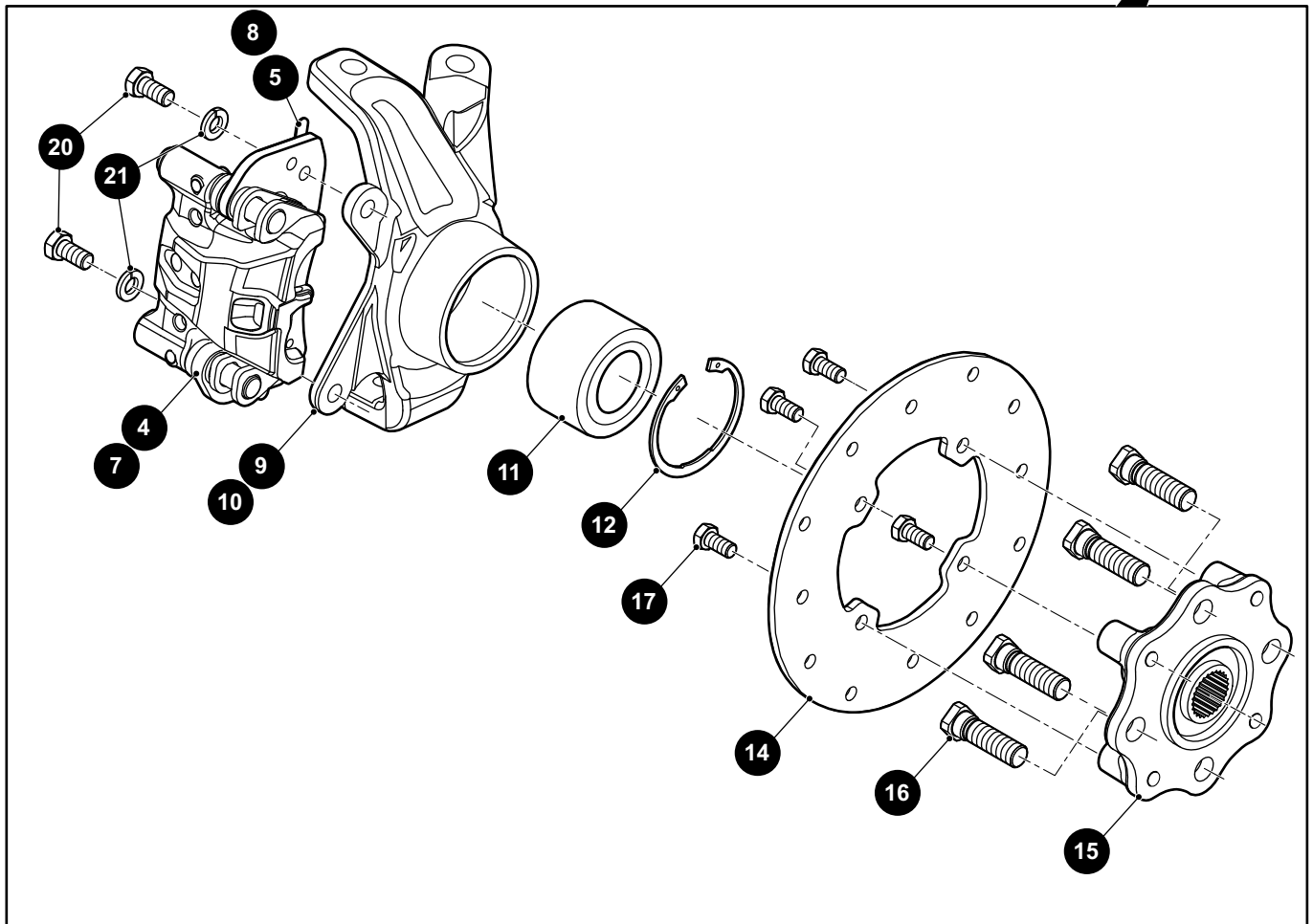
ITEM	PART NO.	1 2 3 4 5	DESCRIPTION	QTY.
32	633214		Steering Rack Assembly (Includes Items 33 - 35)	1
33	655220		Rod End.....	2
34	655221		Jam Nut	2
35	655222		Bellows and Clamps Kit.....	1
36	605254		Socket Head Bolt, M8 - 1.25 x 90mm Lg	3
37	645956		Flanged Hex Lock Nut, M8 - 1.25	5
38	606261		Flanged Hex Head Bolt, M8 - 1.25 x 20mm Lg, Grade 8.8.....	2
39	647672		Lock Nut, M12 - 1.5.....	2
40				
41				
42	644979		Lower Intermediate Shaft.....	1
43	649756		Hex Head Bolt, M8 - 1.25 x 50mm Lg.....	1
44	645956		Flanged Hex Lock Nut, M8 - 1.25	1
45	650475		Flanged Hex Head Bolt, M10 - 1.5 x 45mm Lg.....	1
46	648753		Flanged Lock Nut, M10 - 1.5.....	1

FRONT SUSPENSION

Front of Vehicle



- 1 Front Spindle Assembly (Driver Side) includes items 3, 4, 13 - 21
- 2 Front Spindle Assembly (Passenger Side) includes items 6, 7, 13 - 21
- 3 Spindle Assembly (Driver Side) includes items 9, 11 - 12
- 4 Brake Caliper Assembly (Driver Side) includes item 5
- 6 Spindle Assembly (Passenger Side) includes items 10 - 12
- 7 Brake Caliper Assembly (Passenger Side) includes item 8
- 13 Hub Assembly includes items 14 - 17



FRONT SUSPENSION

THE USE OF NON U.L. PARTS WILL VOID ANY U.L. LISTING.

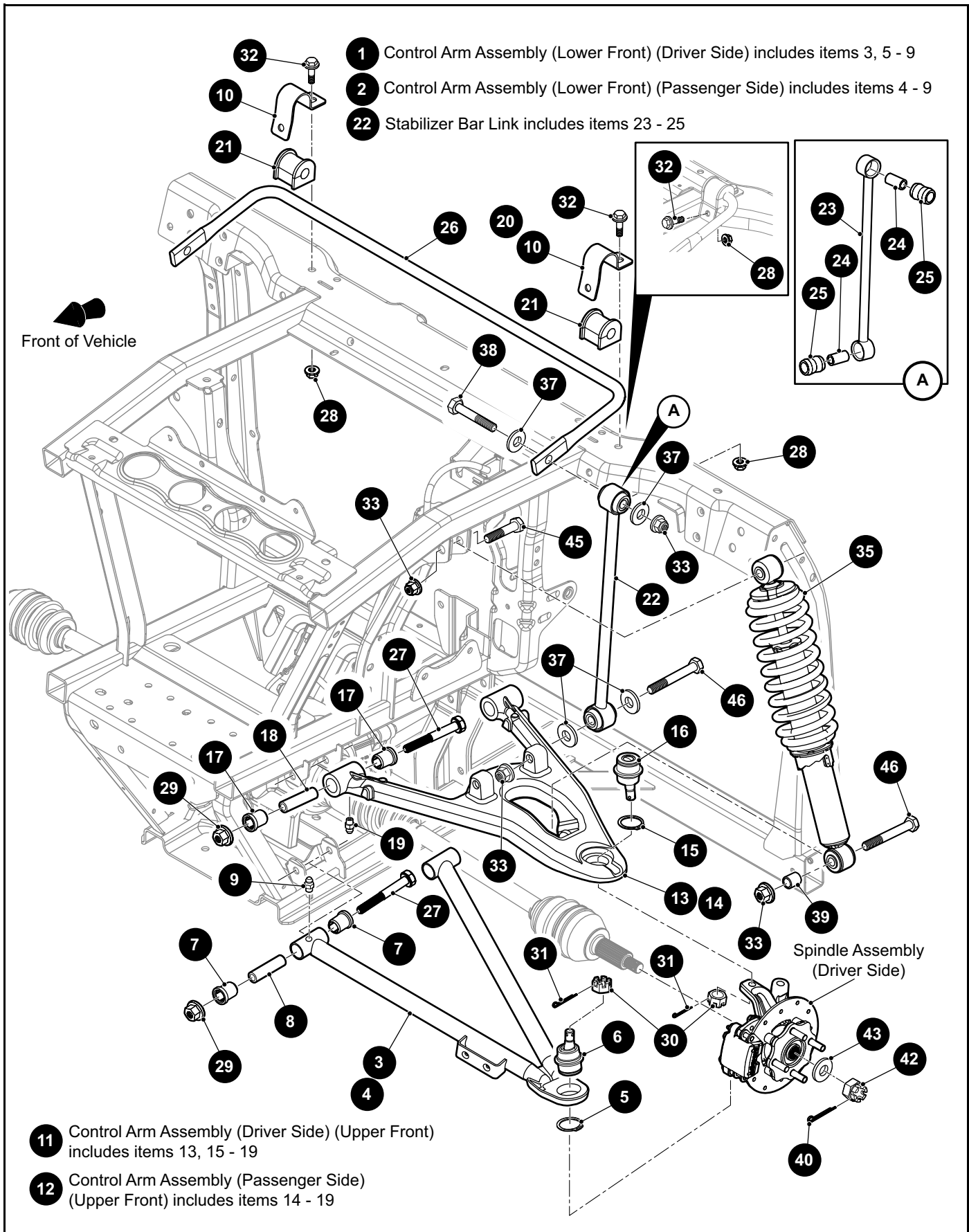
When ordering parts, please specify the model and serial number of the product.

* Indicates a component that is not available as an individual part.

*** Indicates consult Customer Service Department for additional information.

ITEM	PART NO.	1 2 3 4 5	DESCRIPTION	QTY.
1	664162G01		Front Spindle Assembly (Driver Side) (Includes Items 3, 4, 13 - 21)	1
2	664162G02		Front Spindle Assembly (Passenger Side) (Includes Items 6, 7, 13 - 21)	1
3	651647G01		Spindle Assembly (Driver Side) (Includes Items 9, 11 - 12).....	1
4	662172G01		Brake Caliper Assembly (Driver Side) (Includes Item 5)	1
5	664130		Brake Pad Kit	1
6	651647G02		Spindle Assembly (Passenger Side) (Includes Items 10 - 12).....	1
7	662172G02		Brake Caliper Assembly (Passenger Side) (Includes Item 8).....	1
8	664130		Brake Pad Kit	1
9	650034G01		Spindle (Driver Side).....	1
10	650034G02		Spindle (Passenger Side)	1
11	650469		Bearing, 72mm O.D. x 42mm I.D.	1
12	651145		Retaining Ring (Internal), 72mm	1
13	650227G01		Hub Assembly (Includes Items 14 - 17).....	1
14	650228		Rotor (Cross Drilled)	1
15	650221G101		Hub.....	1
16	19862G2		Wheel Hub Bolt, 1/2" - 20 x 1.718" Lg.....	4
17	8409-821		Hex Head Bolt, M8 - 1.25 x 20mm Lg	4
18				
19				
20	00426G8		Hex Head Bolt, 3/8" - 16 x 1" Lg, Grade 5	2
21	00566G1		Lock Washer (Spring Type), 3/8"	2

FRONT SUSPENSION



FRONT SUSPENSION

THE USE OF NON U.L. PARTS WILL VOID ANY U.L. LISTING.

When ordering parts, please specify the model and serial number of the product.

* Indicates a component that is not available as an individual part.

*** Indicates consult Customer Service Department for additional information.

ITEM	PART NO.	1 2 3 4 5	DESCRIPTION	QTY.
1	639607G1090		Control Arm Assembly (Lower Front) (Driver Side) (Includes Items 3, 5 - 9) ...	1
2	639607G2090		Control Arm Assembly (Lower Front) (Passenger Side) (Includes Items 4 - 9)	1
3	633912G1390		Control Arm (Driver Side)	1
4	633912G2390		Control Arm (Passenger Side).....	1
5	634376		Snap Ring (External), 32mm	1
6	635130		Ball Joint, M12 x 1.25	1
7	647320		Flanged Bushing, 15.875mm I.D.	4
8	647322G01		Tube, 10.54mm I.D. x 60.95mm Lg	2
9	400489J		Grease Fitting	2
10	674713G0390		Stabilizer Bar Bracket.....	2
11	639615G01		Control Arm Assembly (Driver Side) (Upper Front) (Includes Items 13, 15 - 19).....	1
12	639615G02		Control Arm Assembly (Passenger Side) (Upper Front) (Includes Items 14 - 19).....	1
13	643488G01		Control Arm (Driver Side)	1
14	643488G02		Control Arm (Passenger Side).....	1
15	634376		Snap Ring (External), 32mm	1
16	635130		Ball Joint, M12 x 1.25	1
17	647320		Flanged Bushing, 15.875mm I.D.	4
18	647322G01		Tube, 10.54mm I.D. x 60.95mm Lg	2
19	654868G01		Zerk (Straight).....	2
20				
21	647988		Stabilizer Bar Bushing.....	2
22	669803		Stabilizer Bar Link (Includes Items 23 - 25)	1
23	669632G0390		Stabilizer Bar Link.....	1
24	677796		End link Sleeve	2
25	633876		End link Bushing	2
26	633728		Stabilizer Bar.....	1
27	648282		Hex Head Bolt, M10 - 1.5 x 85mm Lg	4
28	648753		Lock Nut, M10 - 1.5.....	4
29	648753		Lock Nut, M10 - 1.5.....	4
30	608005		Castle Nut, M12 - 1.25	2

FRONT SUSPENSION

THE USE OF NON U.L. PARTS WILL VOID ANY U.L. LISTING.

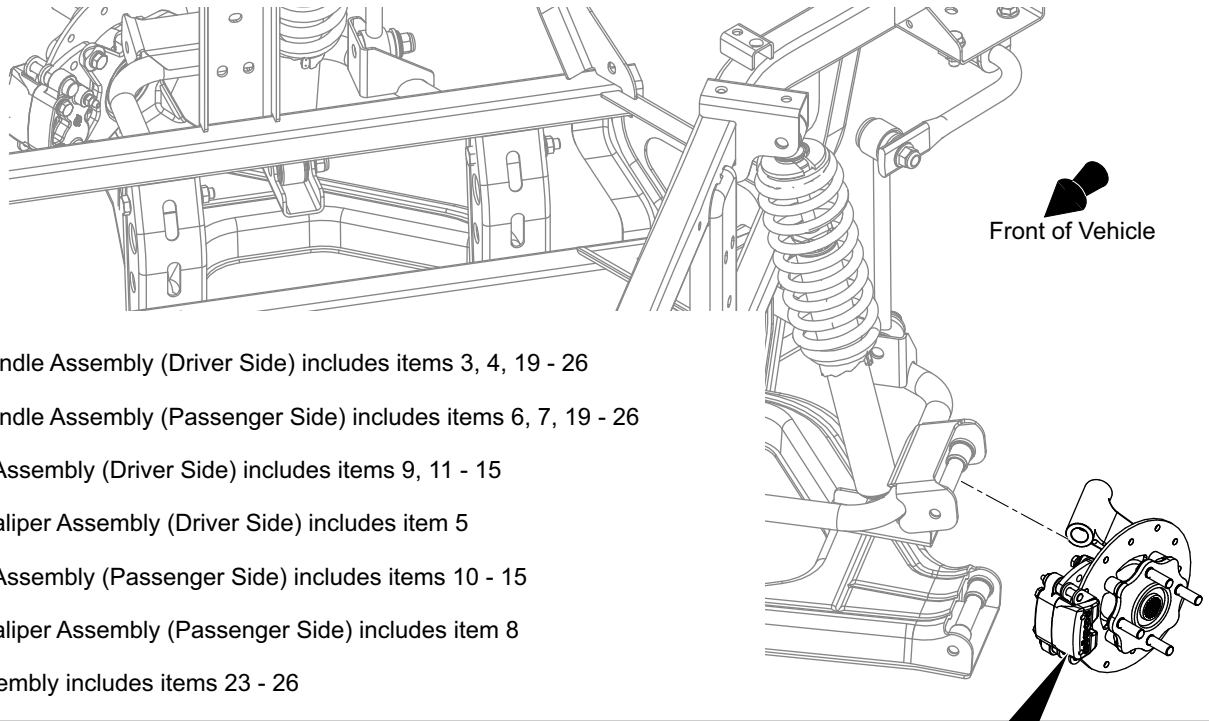
When ordering parts, please specify the model and serial number of the product.

* Indicates a component that is not available as an individual part.

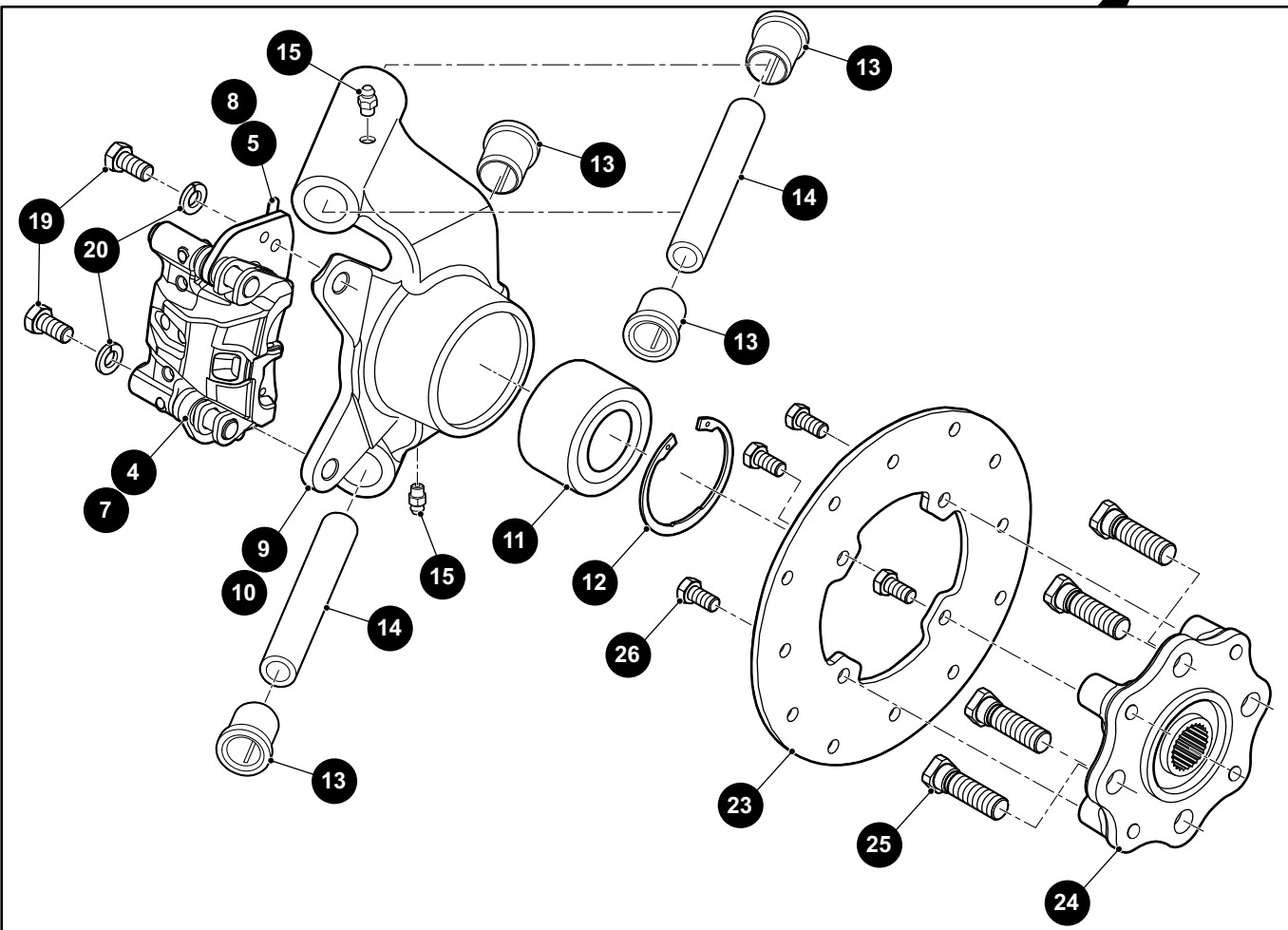
*** Indicates consult Customer Service Department for additional information.

ITEM	PART NO.	1 2 3 4 5	DESCRIPTION	QTY.
31	10387G2		Cotter Pin, .094" x 1"	2
32	603799		Flanged Hex Head Bolt, M10 - 1.5 x 25mm Lg, Grade 8.8	4
33	648198		Lock Nut, M12 x 1.75.....	4
34				
35	656255		Shock Absorber	1
36				
37	603182		Flat Washer, M12.....	4
38	01066G05		Hex Head Bolt, M12 - 1.75 x 70mm Lg	1
39	646314		Spacer, 12.65 I.D. x 17.46 O.D. x 20mm.....	1
40	00798G8		Cotter Pin, 5/32" x 1 - 3/4"	1
41				
42	653662		Castle Nut, M18 - 1.5.....	1
43	653546		Flat Washer, M18.....	1
44				
45	01066G04		Hex Head Bolt, M12 - 1.75 x 60mm Lg	1
46	01066G06		Hex Head Bolt, M12 - 1.75 x 90mm Lg	2

REAR SUSPENSION



- 1 Rear Spindle Assembly (Driver Side) includes items 3, 4, 19 - 26
- 2 Rear Spindle Assembly (Passenger Side) includes items 6, 7, 19 - 26
- 3 Spindle Assembly (Driver Side) includes items 9, 11 - 15
- 4 Brake Caliper Assembly (Driver Side) includes item 5
- 6 Spindle Assembly (Passenger Side) includes items 10 - 15
- 7 Brake Caliper Assembly (Passenger Side) includes item 8
- 22 Hub Assembly includes items 23 - 26



REAR SUSPENSION

THE USE OF NON U.L. PARTS WILL VOID ANY U.L. LISTING.

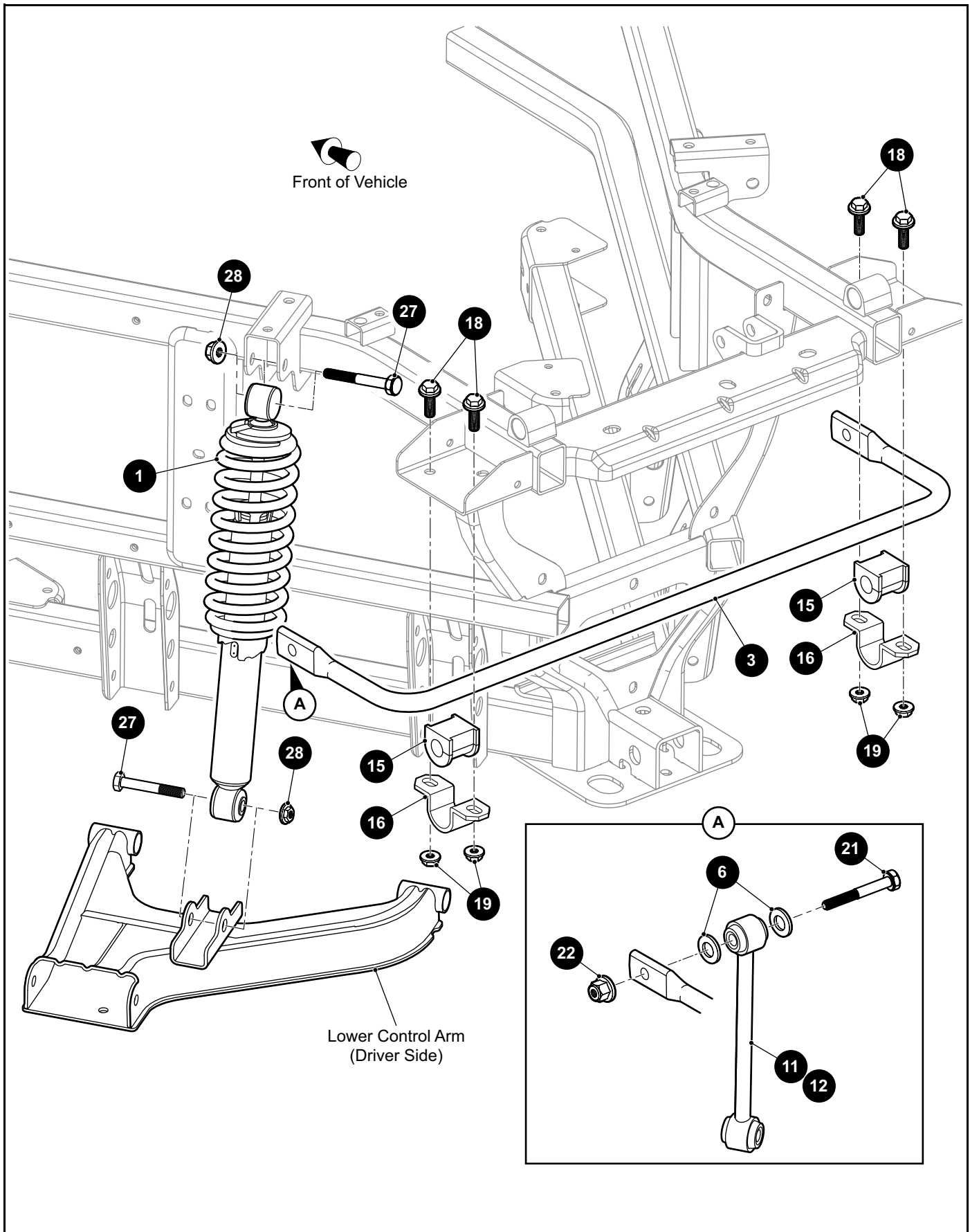
When ordering parts, please specify the model and serial number of the product.

* Indicates a component that is not available as an individual part.

*** Indicates consult Customer Service Department for additional information.

ITEM	PART NO.	1 2 3 4 5	DESCRIPTION	QTY.
1	676828G01		Rear Spindle Assembly (Driver Side) (Includes Items 3, 4, 19 - 26).....	1
2	676828G02		Rear Spindle Assembly (Passenger Side) (Includes Items 6, 7, 19 - 26)	1
3	651605G01		Spindle Assembly (Driver Side) (Includes Items 9, 11 - 15).....	1
4	662171G01		Brake Caliper Assembly (Driver Side) (Includes Item 5)	1
5	664092		Brake Pad Kit	1
6	651605G02		Spindle Assembly (Passenger Side) (Includes Items 10 - 15).....	1
7	662171G02		Brake Caliper Assembly (Passenger Side) (Includes Item 8).....	1
8	664092		Brake Pad Kit	1
9	650297G01		Spindle (Driver Side).....	1
10	650297G02		Spindle (Passenger Side)	1
11	650469		Bearing, 72mm O.D. x 42mm I.D.	1
12	651145		Retaining Ring (Internal), 72mm	1
13	647320		Flanged Bushing, 15.875mm I.D.....	4
14	647322G02		Tube, 10.54mm x 108.96mm Lg	2
15	400489J		Grease Fitting, 1/4" - 28	2
16				
17				
18				
19	00426G8		Hex Head Bolt, 3/8" - 16 x 1" Lg, Grade 5.....	2
20	00566G1		Lock Washer (Spring Type), 3/8"	2
21				
22	650227G01		Hub Assembly (Includes Items 23 - 26).....	1
23	650228		Rotor (Cross Drilled)	1
24	650221G101		Hub.....	1
25	19862G2		Wheel Hub Bolt, 1/2" - 20 x 1.718" Lg.....	4
26	8409-821		Hex Head Bolt, M8 - 1.25 x 20mm Lg	4

REAR SUSPENSION



REAR SUSPENSION

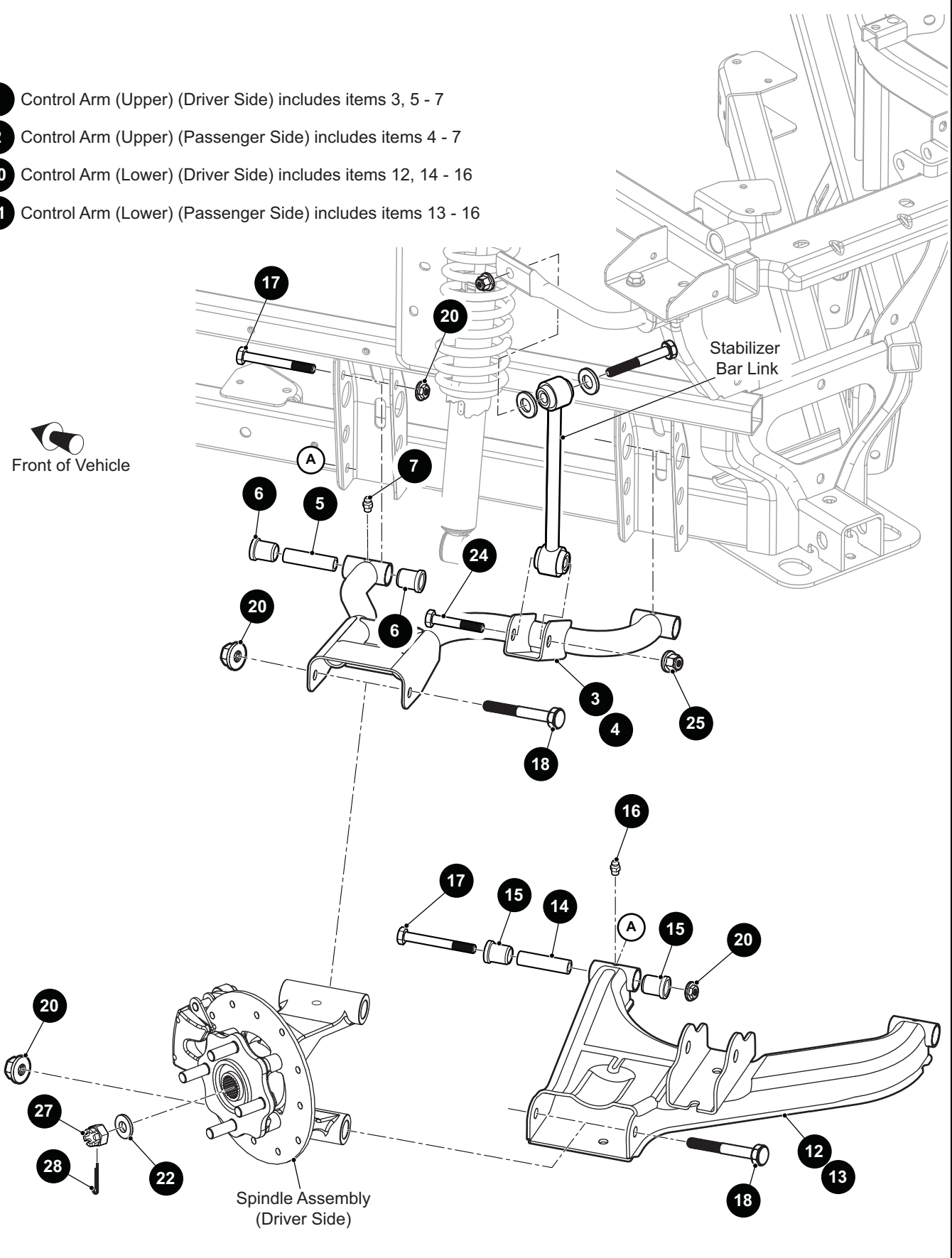
THE USE OF NON U.L. PARTS WILL VOID ANY U.L. LISTING.
 When ordering parts, please specify the model and serial number of the product.
 * Indicates a component that is not available as an individual part.
 *** Indicates consult Customer Service Department for additional information.

ITEM	PART NO.	1 2 3 4 5	DESCRIPTION	QTY.
1	656268		Shock Absorber.....	1
2				
3	633724		Stabilizer Bar.....	1
4				
5				
6	603182		Flat Washer, M12.....	2
7				
8				
9				
10				
11	668503G01		Stabilizer Bar Link (Driver Side).....	1
12	668503G02		Stabilizer Bar Link (Passenger Side).....	1
13				
14				
15	633953		Stabilizer Bar Bushing.....	2
16	657873G0390		Stabilizer Bar Bracket.....	2
17				
18	603799		Flanged Hex Head Bolt, M10 - 1.5 x 25mm Lg, Grade 8.8.....	4
19	648753		Lock Nut, M10 - 1.5.....	4
20				
21	01066G05		Hex Head Bolt, M12 - 1.75 x 70mm Lg.....	2
22	648198		Lock Nut, M12 - 1.75.....	1
23				
24				
25				
26				
27	01066G08		Hex Head Bolt, M12 - 1.75 x 60mm Lg.....	2
28	648198		Lock Nut, M12 - 1.75.....	2

REAR SUSPENSION

- 1** Control Arm (Upper) (Driver Side) includes items 3, 5 - 7
- 2** Control Arm (Upper) (Passenger Side) includes items 4 - 7
- 10** Control Arm (Lower) (Driver Side) includes items 12, 14 - 16
- 11** Control Arm (Lower) (Passenger Side) includes items 13 - 16

Front of Vehicle

REAR SUSPENSION

THE USE OF NON U.L. PARTS WILL VOID ANY U.L. LISTING.

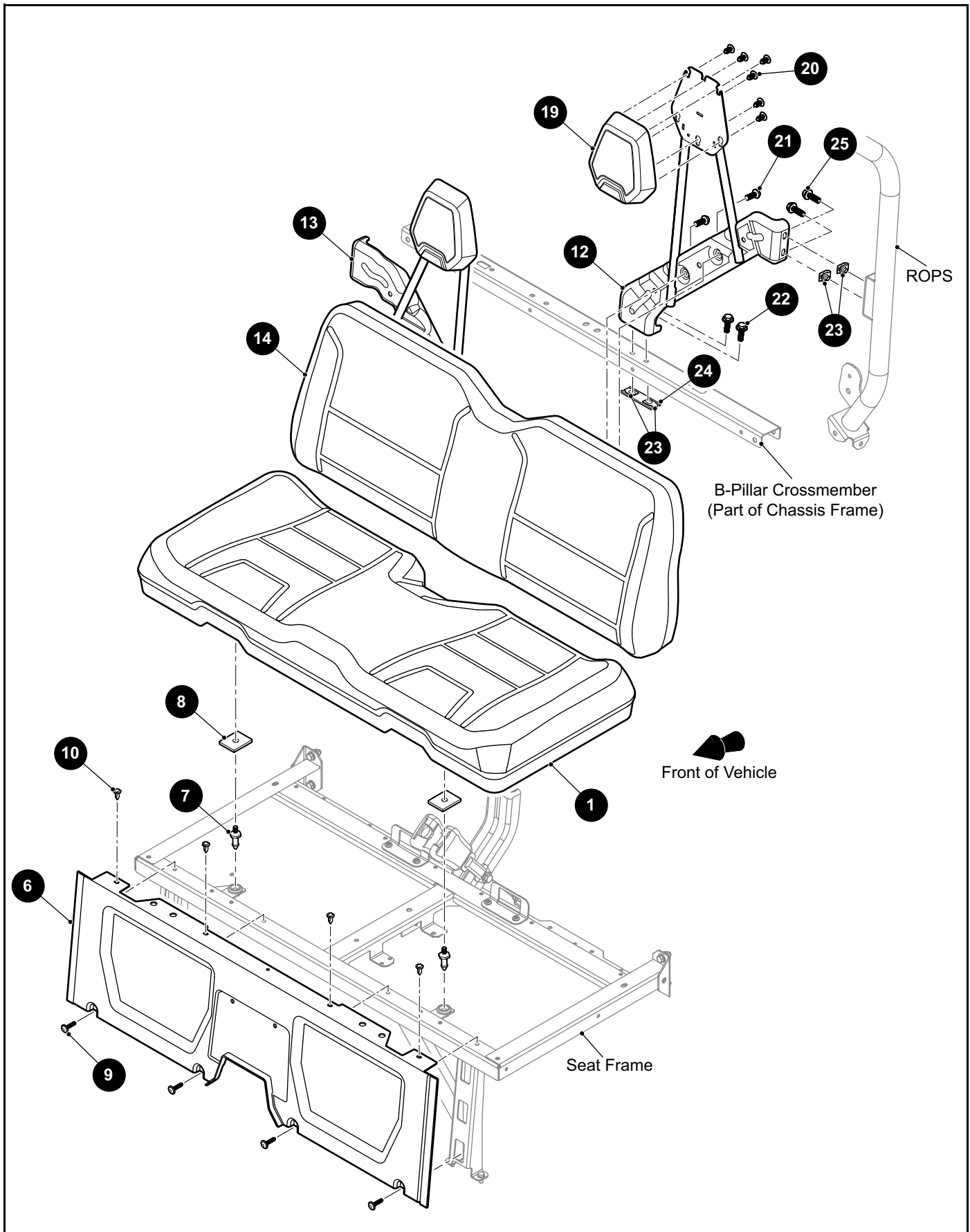
When ordering parts, please specify the model and serial number of the product.

* Indicates a component that is not available as an individual part.

*** Indicates consult Customer Service Department for additional information.

ITEM	PART NO.	1 2 3 4 5	DESCRIPTION	QTY.
1	656599G1090		Control Arm (Upper) (Driver Side) (Includes Items 3, 5 - 7)	1
2	656599G2090		Control Arm (Upper) (Passenger Side) (Includes Items 4 - 7)	1
3	652006G1390		Control Arm (Driver Side)	1
4	652006G2390		Control Arm (Passenger Side).....	1
5	647322G01		Tube, 10.54mm x 60.95mm Lg.....	2
6	647320		Flanged Bushing, 15.875mm I.D.	4
7	400489J		Grease Fitting, 1/4" - 28.....	2
8				
9				
10	656598G1090		Control Arm (Lower) (Driver Side) (Includes Items 12, 14 - 16).....	1
11	656598G2090		Control Arm (Lower) (Passenger Side) (Includes Items 13 - 16)	1
12	653386G1390		Control Arm (Driver Side)	1
13	653386G2390		Control Arm (Passenger Side).....	1
14	647322G01		Tube, 10.54mm x 60.95mm Lg.....	2
15	647320		Flanged Bushing, 15.875mm I.D.	4
16	400489J		Grease Fitting, 1/4" - 28.....	2
17	648282		Hex Head Bolt, M10 - 1.5 x 85mm Lg	4
18	648283		Hex Head Bolt, M10 - 1.5 x 140mm Lg	2
19				
20	648753		Lock Nut, M10 - 1.5.....	6
21				
22	653546		Flat Washer, M18	1
23				
24	01066G05		Hex Head Bolt, M12 - 1.75 x 70mm Lg	1
25	648198		Lock Nut, M12 - 1.75.....	1
26				
27	653662		Castle Nut, M18 x 1.5.....	1
28	00798G8		Cotter Pin, 5/32" x 1 - 3/4".....	1

SEATING



THE USE OF NON U.L. PARTS WILL VOID ANY U.L. LISTING.

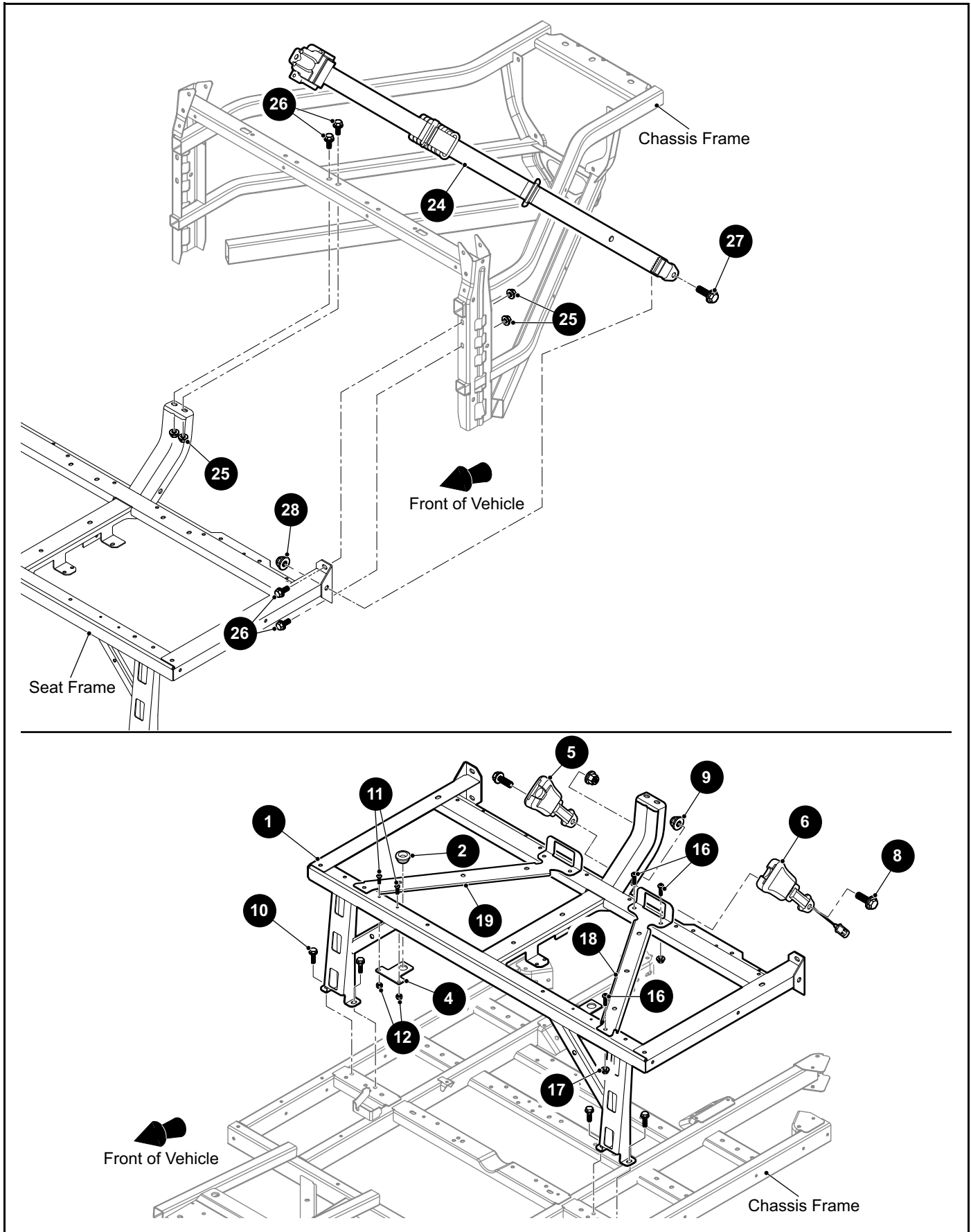
When ordering parts, please specify the model and serial number of the product.

* Indicates a component that is not available as an individual part.

*** Indicates consult Customer Service Department for additional information.

ITEM	PART NO.	1 2 3 4 5	DESCRIPTION	QTY.
1	645899G06		Seat Bottom Assembly (Black).....	1
2				
3				
4				
5				
6	641394		Seat Closeout.....	1
7	639904		Seat Retention Pin	2
8	646115		Backing Plate	2
9	645323		Pan Washer Head Torx Screw, M6 - 1 x 23.4mm Lg	4
10	667790		Removable Rivet, .320"	4
11				
12	644918G1390		Seat Back Support (Driver Side) (Black).....	1
13	644918G2390		Seat Back Support (Passenger Side) (Black)	1
14	645900G06		Seat Back Assembly (Black)	1
15				
16				
17				
18				
19	641663		Headrest (Powersport).....	1
20	16816G2		Ratchet Rivet, .25" x .887" Lg	6
21	600530		Button Head Torx Bolt, M10 - 1.5 x 25mm Lg	2
22	603799		Flanged Hex Head Bolt, M10 - 1.5 x 25mm Lg, Grade 8.8	2
23	603818		Barrel Clip, M10 - 1.5	4
24	654348G0390		Mounting Plate (Rear) (Black).....	1
25	646561		Flanged Hex Head Bolt, M10 - 1.5 x 20mm Lg, Grade 8.8.....	2

SEATING



THE USE OF NON U.L. PARTS WILL VOID ANY U.L. LISTING.

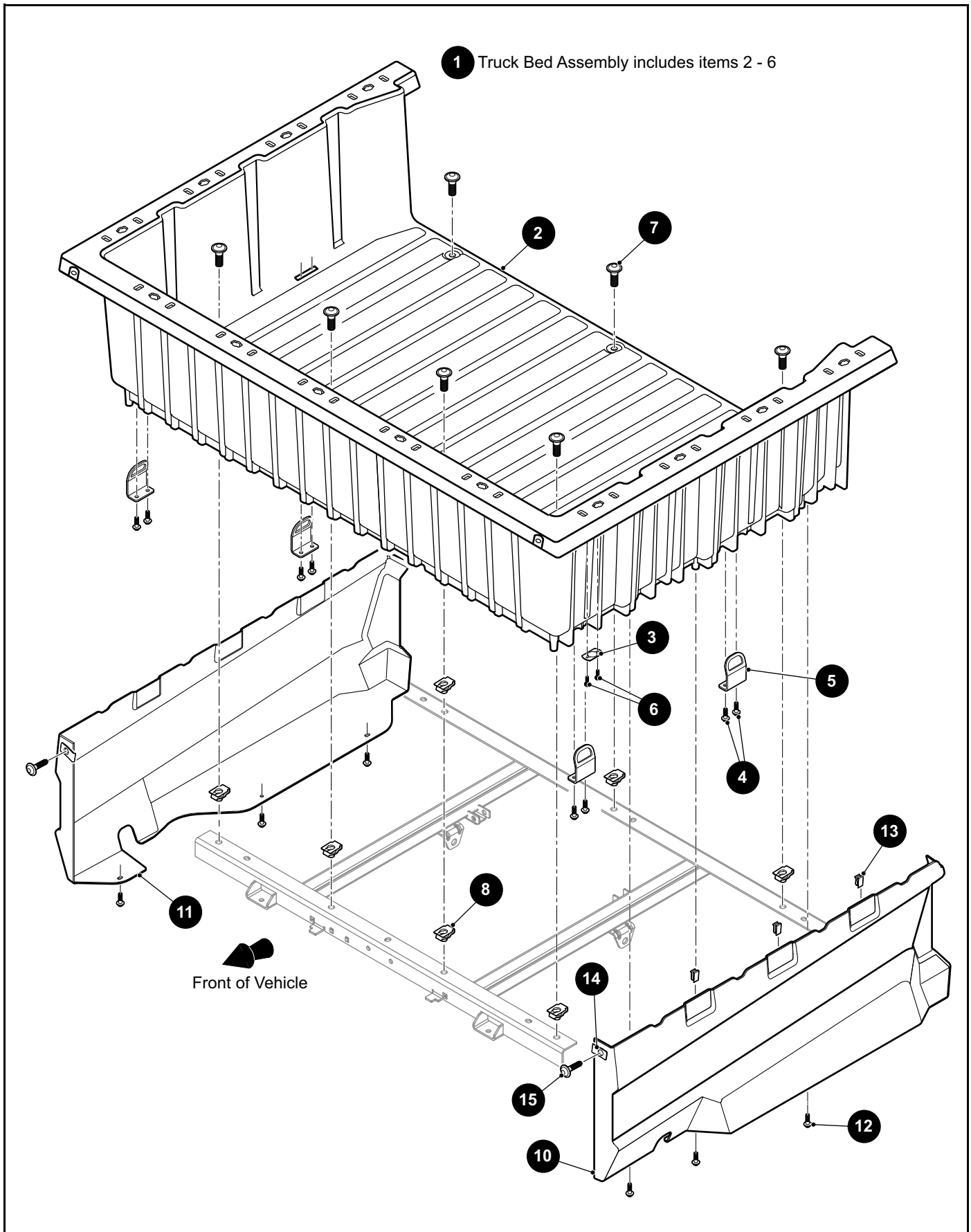
When ordering parts, please specify the model and serial number of the product.

* Indicates a component that is not available as an individual part.

*** Indicates consult Customer Service Department for additional information.

ITEM	PART NO.	1 2 3 4 5	DESCRIPTION	QTY.
1	683010G0390		Seat Frame (Black)	1
2	638668		Seat Retention Grommet	1
3				
4	638697		Seat Retention Bracket	1
5	643660		Seat Belt Latch without Connector	1
6	648412		Seat Belt Latch with Connector	1
7				
8	649013		Flanged Hex Head Bolt, M12 - 1.75 x 30mm Lg	1
9	648198		Lock Nut, M12 - 1.75	2
10	640723		Self Tapping Screw, M8 - 1.25 x 20mm Lg	4
11	612859		Pan Head Torx Screw, M5 - .8 x 12mm Lg	4
12	610683		Lock Nut, M5 - .8	4
13				
14				
15				
16	646371		Pan Head Bolt, M8 - 1.25 x 20mm Lg	3
17	645956		Flanged Hex Nut, M8 - 1.25	3
18	645357G1390		Seat Frame Support Crossmember (Driver Side) (Black)	1
19	645357G2390		Seat Frame Support Crossmember (Passenger Side) (Black)	1
20				
21				
22				
23				
24	649870		Seat Belt Retractor, 112" Lg	1
25	600525		Lock Nut, M10 - 1.5	6
26	603799		Flanged Hex Head Bolt, M10 - 1.5 x 25mm Lg, Grade 8.8	6
27	649013		Flanged Hex Head Bolt, M12 - 1.75 x 30mm Lg	1
28	648198		Lock Nut, M12 - 1.75	1

TRUCK BED



THE USE OF NON U.L. PARTS WILL VOID ANY U.L. LISTING.

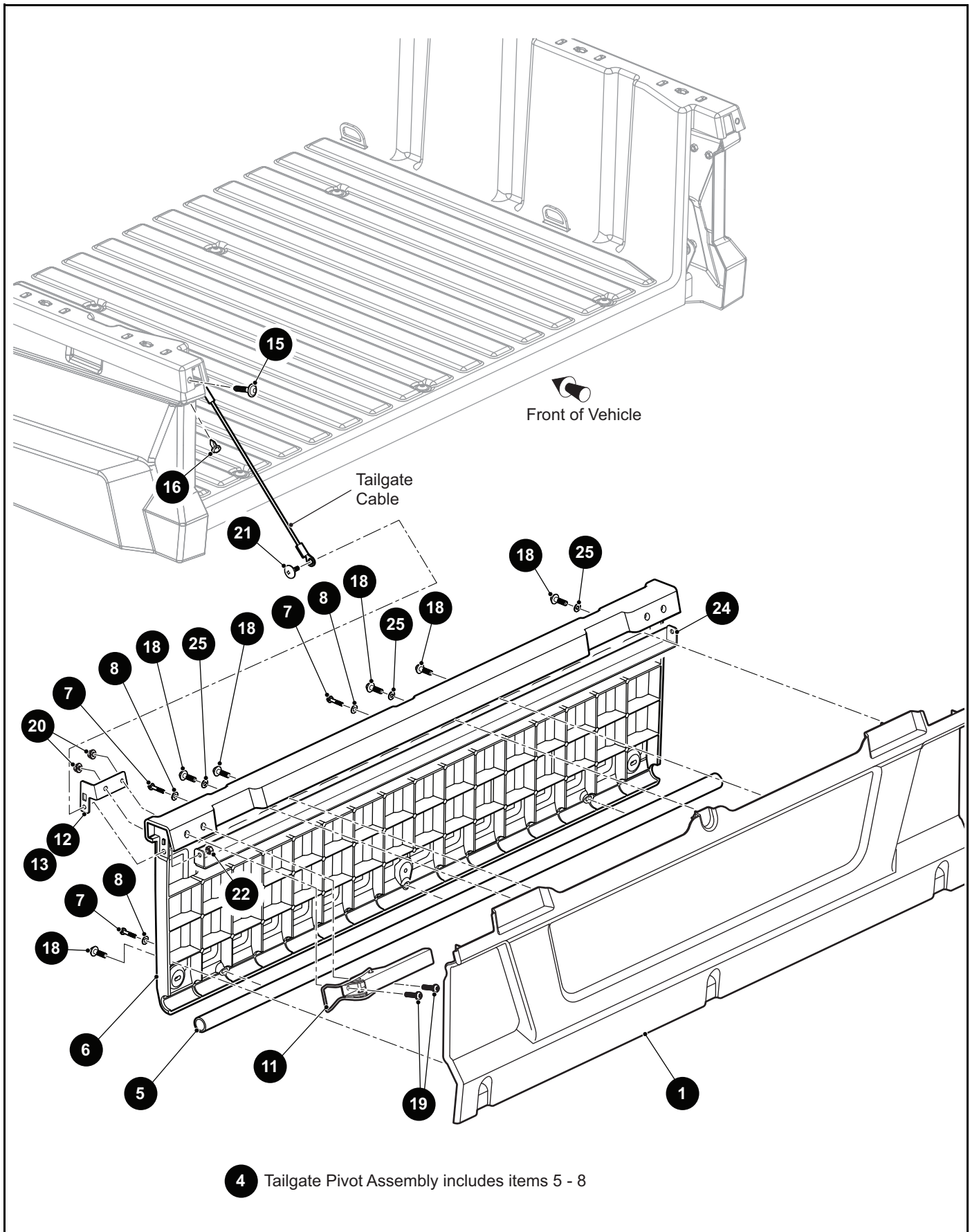
When ordering parts, please specify the model and serial number of the product.

* Indicates a component that is not available as an individual part.

*** Indicates consult Customer Service Department for additional information.

ITEM	PART NO.	1 2 3 4 5	DESCRIPTION	QTY.
1	651966		Truck Bed Assembly (Includes Items 2 - 6).....	1
2	641181		Bed	1
3	644202		Receptacle Plate	2
4	646047		Plastite Screw, M6 - 2 x 20mm Lg	8
5	645017		Tie-down Bracket.....	4
6	646140		Thread Forming Screw, M4 - 1.79 x 16mm Lg	4
7	646528		Washer Head Torx Bolt, M10 - 1.5 x 30mm Lg	7
8	603818		Barrel Clip, M10 - 1.5	7
9				
10	641183G01		Side Panel (Driver Side).....	1
11	641183G02		Side Panel (Passenger Side).....	1
12	646047		Plastite Screw, M6 - 2.14 x 20mm Lg.....	3
13	646759		S-Clip	3
14	602409		Barrel Clip, M6 - 1	1
15	645323		Pan Washer Head Screw, M6 - 1 x 25mm Lg	1

TRUCK BED



4 Tailgate Pivot Assembly includes items 5 - 8

THE USE OF NON U.L. PARTS WILL VOID ANY U.L. LISTING.

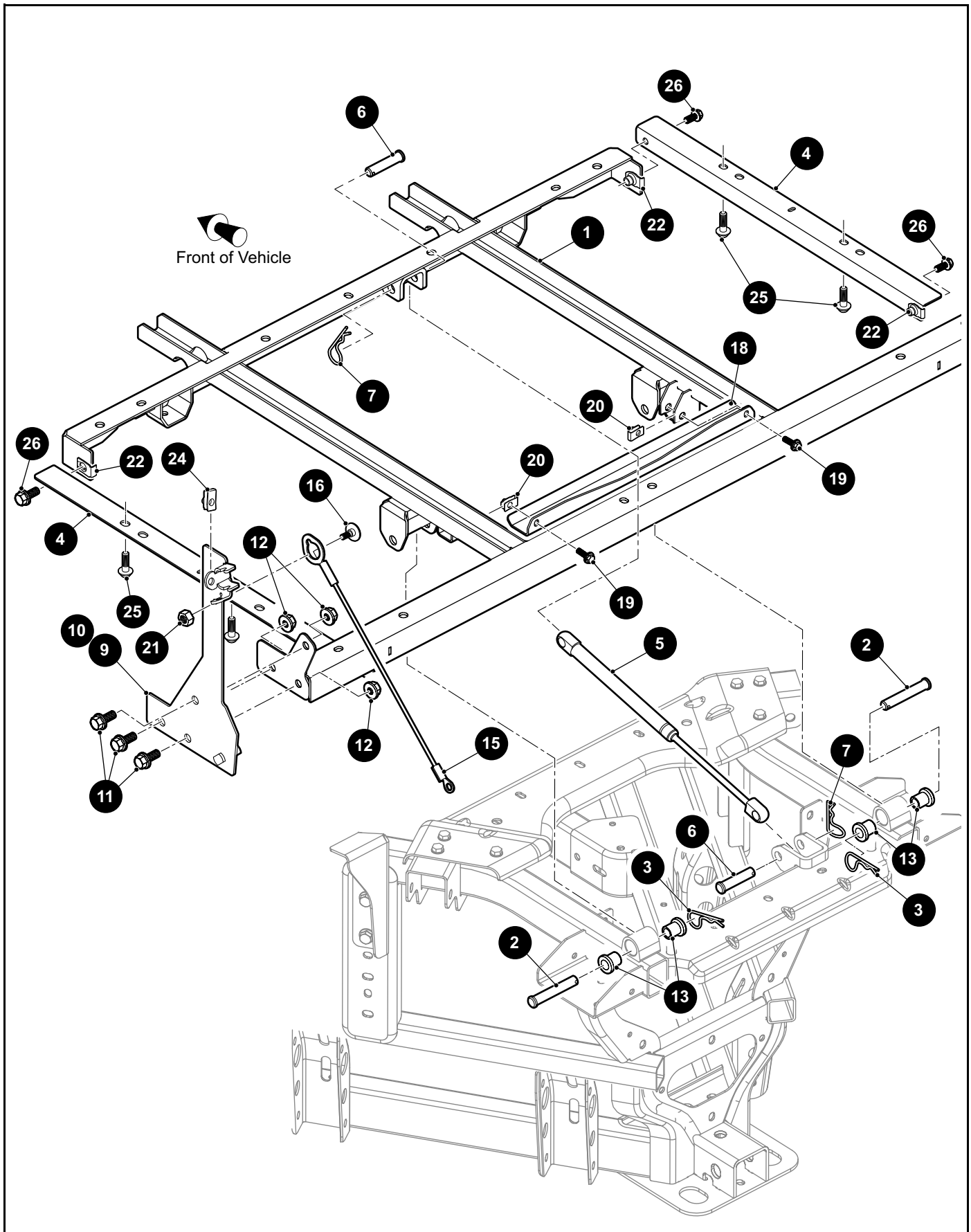
When ordering parts, please specify the model and serial number of the product.

* Indicates a component that is not available as an individual part.

*** Indicates consult Customer Service Department for additional information.

ITEM	PART NO.	1 2 3 4 5	DESCRIPTION	QTY.
1	641184G02		Tailgate Panel.....	1
2				
3				
4	650968		Tailgate Pivot Assembly (Includes Items 5 - 8).....	1
5	*		Pivot Tube.....	1
6	641856		Inside Wall	1
7	635530		Taptite Screw, #10 - 32 x 11/16" Lg	3
8	00559G5		Flat Washer, #10.....	3
9				
10				
11	663143		Tailgate Latch Assembly.....	2
12	644871G1390		Latch Mount Bracket (Driver Side).....	1
13	644871G2390		Latch Mount Bracket (Passenger Side)	1
14				
15	645323		Pan Washer Head Screw, M6 - 1 x 25mm Lg	2
16	667790		Removable Rivet, .320"	2
17				
18	646047		Plastite Screw, M6 - 2.14 x 20mm Lg.....	6
19	601326		Button Head Torx Bolt, M6 - 1 x 20mm Lg	4
20	601476		Lock Nut, M6 - 1.....	4
21	653691		Shoulder Bolt, .350" x .188" Lg	2
22	00550G1		Hex Nut (Internal Lock)	2
23				
24	653026G0390		Tailgate Support	1
25	608747		Flat Washer, M6 - 1.5.....	3

TRUCK BED



THE USE OF NON U.L. PARTS WILL VOID ANY U.L. LISTING.

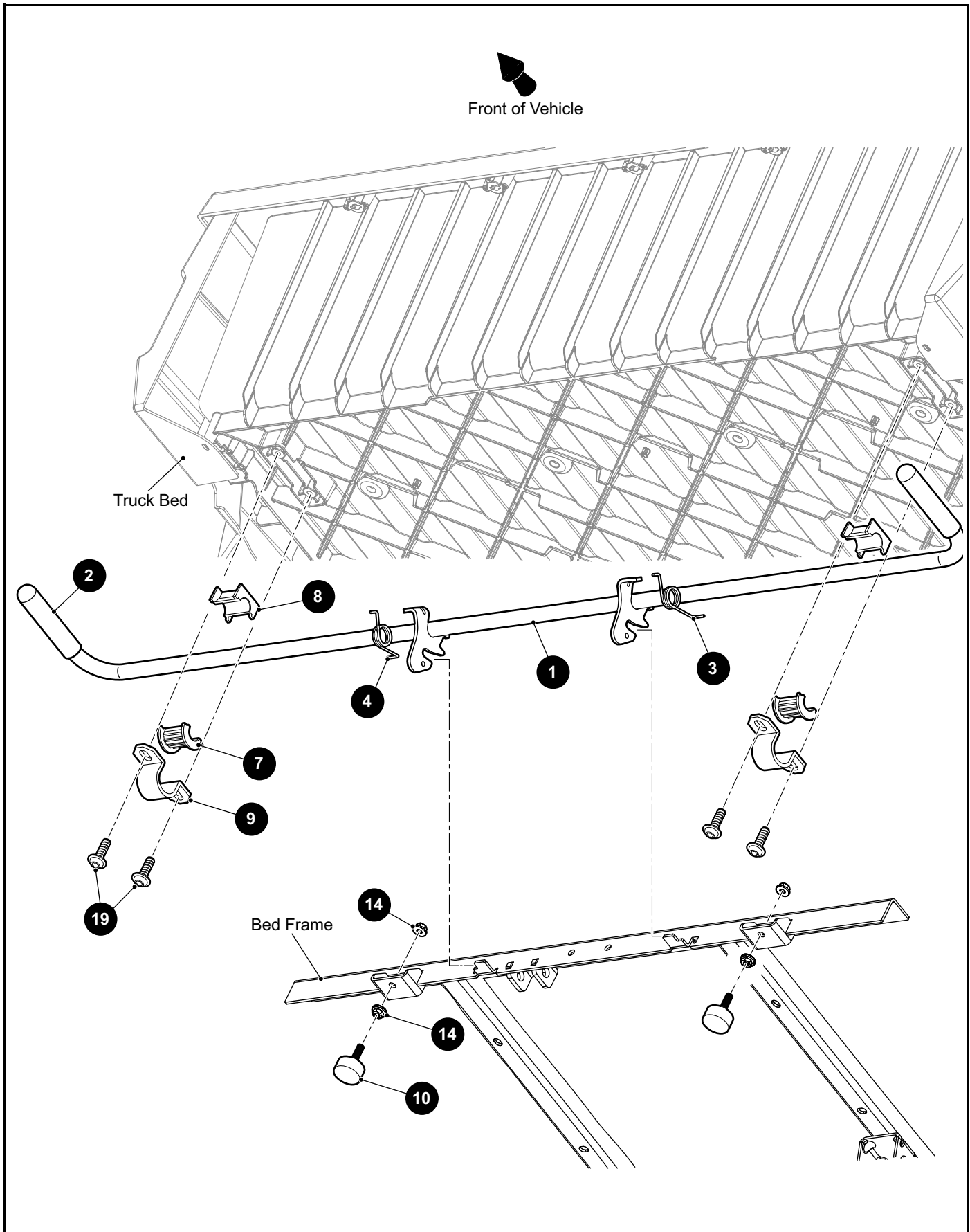
When ordering parts, please specify the model and serial number of the product.

* Indicates a component that is not available as an individual part.

*** Indicates consult Customer Service Department for additional information.

ITEM	PART NO.	1 2 3 4 5	DESCRIPTION	QTY.
1	643624G0390		Bed Frame	1
2	14443G10		Clevis Pin, .50" x 3" Lg.....	2
3	21683G1		Cotter Pin, .320" x 2.969"	2
4	653645G0390		Reinforced Bracket (Bed Bottom)	2
5	655485		Gas Spring	1
6	14443G12		Clevis Pin, .50" x 2.22" Lg.....	2
7	21683G1		Cotter Pin, .320" x 2.969"	2
8				
9	644842G1390		Tailgate Bracket (Driver Side)	1
10	644842G2390		Tailgate Bracket (Passenger Side).....	1
11	603799		Flanged Hex Head Bolt, M10 - 1.5 x 25mm Lg, Grade 8.8.....	6
12	600525		Lock Nut, M10 - 1.5.....	6
13	624030		Flanged Bushing	4
14				
15	651635		Tailgate Cable Assembly.....	2
16	653691		Shoulder Bolt, .350"/.188" Lg.....	2
17				
18	646493G0390		Bed Stop Center Bracket	1
19	606264		Flanged Hex Head Bolt, M6 - 1 x 20mm Lg, Grade 8.8.....	2
20	602409		Barrel Clip, M6 - 1	2
21	00550G1		Hex Nut (Internal Lock)	2
22	649696		Barrel Clip, M8 - 1.25	4
23				
24	602409		Barrel Clip, M6 - 1	2
25	654108		Self Tapping Screw, M8 x 20mm Lg.....	4
26	606261		Flanged Hex Head Bolt, M8 - 1.25 x 20mm Lg, Grade 8.8.....	4

TRUCK BED



THE USE OF NON U.L. PARTS WILL VOID ANY U.L. LISTING.

When ordering parts, please specify the model and serial number of the product.

* Indicates a component that is not available as an individual part.

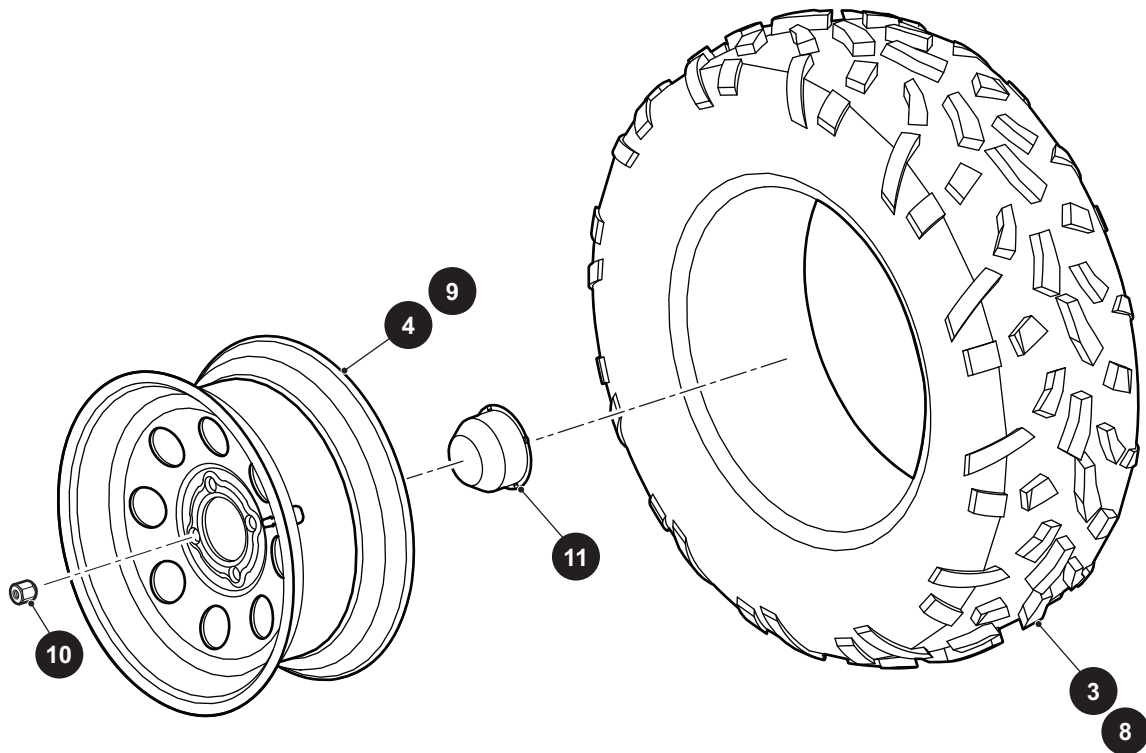
*** Indicates consult Customer Service Department for additional information.

ITEM	PART NO.	1 2 3 4 5	DESCRIPTION	QTY.
1	643623G0390		Handle.....	1
2	643080		Handle Grip.....	2
3	646136G01		Bed Latch Return Spring (Driver Side).....	1
4	646136G02		Bed Latch Return Spring (Passenger Side).....	1
5				
6				
7	647633		Bed Latch Bushing (Top).....	2
8	647635		Bed Latch Bushing (Bottom).....	2
9	657873G0390		Stabilizer Bar Bushing Bracket.....	2
10	70113G01		Adjustable Rubber Bumper.....	2
11				
12				
13				
14	11027G1		Flanged Lock Nut, 5/16" - 18.....	4
15				
16				
17				
18				
19	654108		Self Tapping Screw, M8 x 20mm Lg.....	4

WHEELS AND TIRES

- 1 Wheel and Tire Assembly, Front (Driver Side) includes items 3, 4
- 2 Wheel and Tire Assembly, Front (Passenger Side) includes items 3, 4
- 6 Wheel and Tire Assembly, Rear (Driver Side) includes items 8, 9
- 7 Wheel and Tire Assembly, Rear (Passenger Side) includes items 8, 9

(Style of tire may differ from tire shown)



WHEELS AND TIRES

THE USE OF NON U.L. PARTS WILL VOID ANY U.L. LISTING.

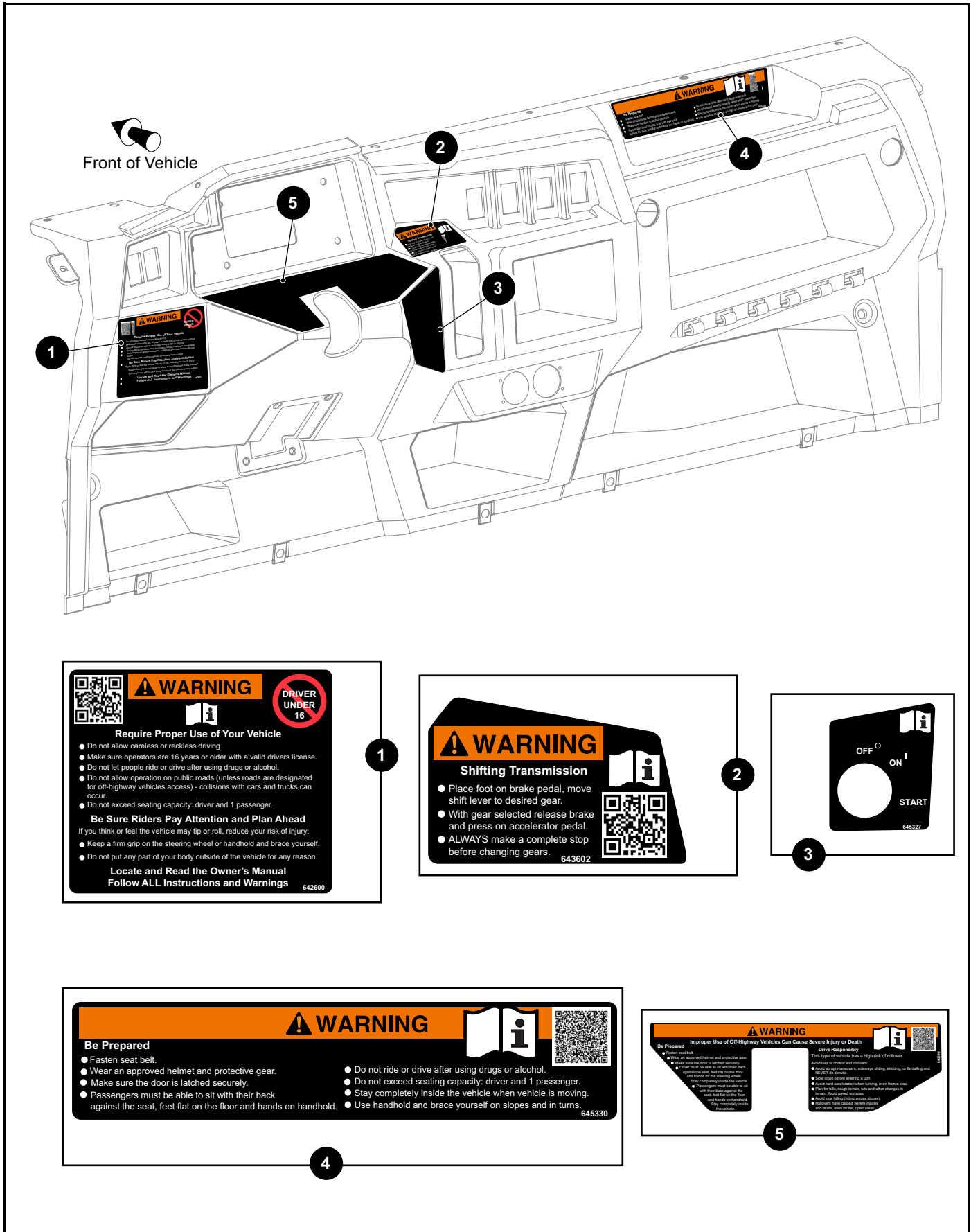
When ordering parts, please specify the model and serial number of the product.

* Indicates a component that is not available as an individual part.

*** Indicates consult Customer Service Department for additional information.

ITEM	PART NO.	1 2 3 4 5	DESCRIPTION	QTY.
1	645015G01		Wheel and Tire Assembly, Front (Driver Side) (Includes Items 3, 4).....	1
2	645015G02		Wheel and Tire Assembly, Front (Passenger Side) (Includes Items 3, 4).....	1
3	645011		Tire (Kenda), 26" x 9" x 14"	1
4	653744G01		Wheel (Steel), 14" x 6.5"	1
5				
6	645016G01		Wheel and Tire Assembly, Rear (Driver Side) (Includes Items 8, 9)	1
7	645016G02		Wheel and Tire Assembly, Rear (Passenger Side) (Includes Items 8, 9).....	1
8	645012		Tire (Kenda), 26" x 11" x 14".....	1
9	653744G02		Wheel (Steel), 14" x 8"	1
10	14723G1		Lug Nut, 1/2" - 20 (For use with Steel Wheels).....	4
11	653751		Center Cap (For use with Steel Wheels).....	1

DECALS AND LABELS



1

WARNING

Require Proper Use of Your Vehicle

- Do not allow careless or reckless driving.
- Make sure operators are 16 years or older with a valid drivers license.
- Do not let people ride or drive after using drugs or alcohol.
- Do not allow operation on public roads (unless roads are designated for off-highway vehicles access) - collisions with cars and trucks can occur.
- Do not exceed seating capacity: driver and 1 passenger.

Be Sure Riders Pay Attention and Plan Ahead

If you think or feel the vehicle may tip or roll, reduce your risk of injury:

- Keep a firm grip on the steering wheel or handhold and brace yourself.
- Do not put any part of your body outside of the vehicle for any reason.

Locate and Read the Owner's Manual
Follow ALL Instructions and Warnings

642600

2

WARNING

Shifting Transmission

- Place foot on brake pedal, move shift lever to desired gear.
- With gear selected release brake and press on accelerator pedal.
- ALWAYS make a complete stop before changing gears.

643602

3

OFF

ON

START

645327

4

WARNING

Be Prepared

- Fasten seat belt.
- Wear an approved helmet and protective gear.
- Make sure the door is latched securely.
- Passengers must be able to sit with their back against the seat, feet flat on the floor and hands on handhold.
- Do not ride or drive after using drugs or alcohol.
- Do not exceed seating capacity; driver and 1 passenger.
- Stay completely inside the vehicle when vehicle is moving.
- Use handhold and brace yourself on slopes and in turns.

645330

5

WARNING

Improper Use of Off-Highway Vehicles Can Cause Severe Injury or Death

Drive Responsibly

This type of vehicle has a high risk of rollover.

- Avoid use of corner and rollover.
- Avoid sharp maneuvers: sideways sliding, steering or backing and NEVER do donuts.
- Slow down when entering a turn.
- Avoid hard acceleration when leaving water from a stop.
- Plan your route, rough terrain, hills and other changes in terrain. Avoid paved surfaces.
- Avoid side hills, loading, unloading, and other changes in terrain.
- Follow manufacturer's instructions for proper use.

645327

DECALS AND LABELS

THE USE OF NON U.L. PARTS WILL VOID ANY U.L. LISTING.

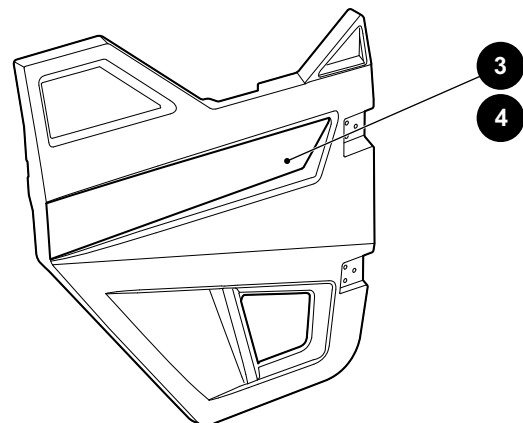
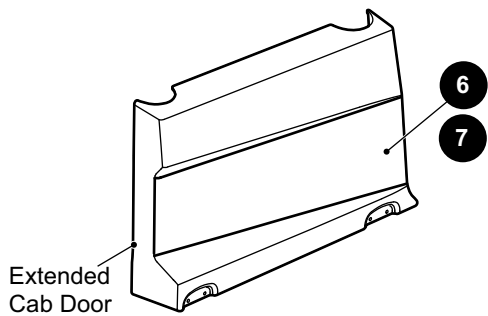
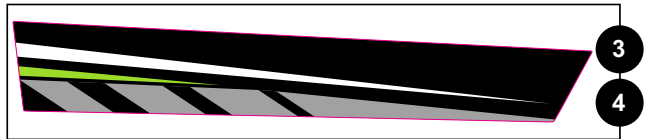
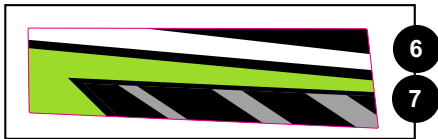
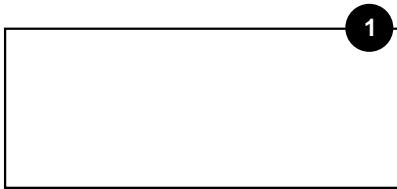
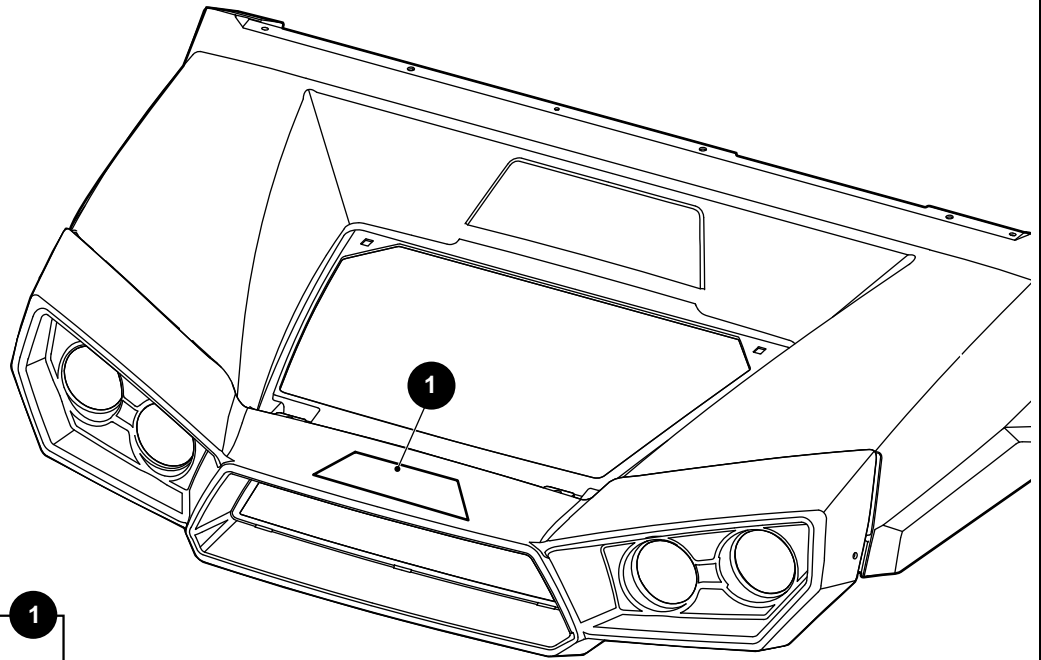
When ordering parts, please specify the model and serial number of the product.

* Indicates a component that is not available as an individual part.

*** Indicates consult Customer Service Department for additional information.

ITEM	PART NO.	1 2 3 4 5	DESCRIPTION	QTY.
1	642600		Safety Label	1
2	643602		Gear Shifting Label	1
3	645327		Keyswitch Position Label	1
4	645330		Passenger Safety Label	1
5	642599		Operator Safety Label	1

DECALS AND LABELS



DECALS AND LABELS

THE USE OF NON U.L. PARTS WILL VOID ANY U.L. LISTING.

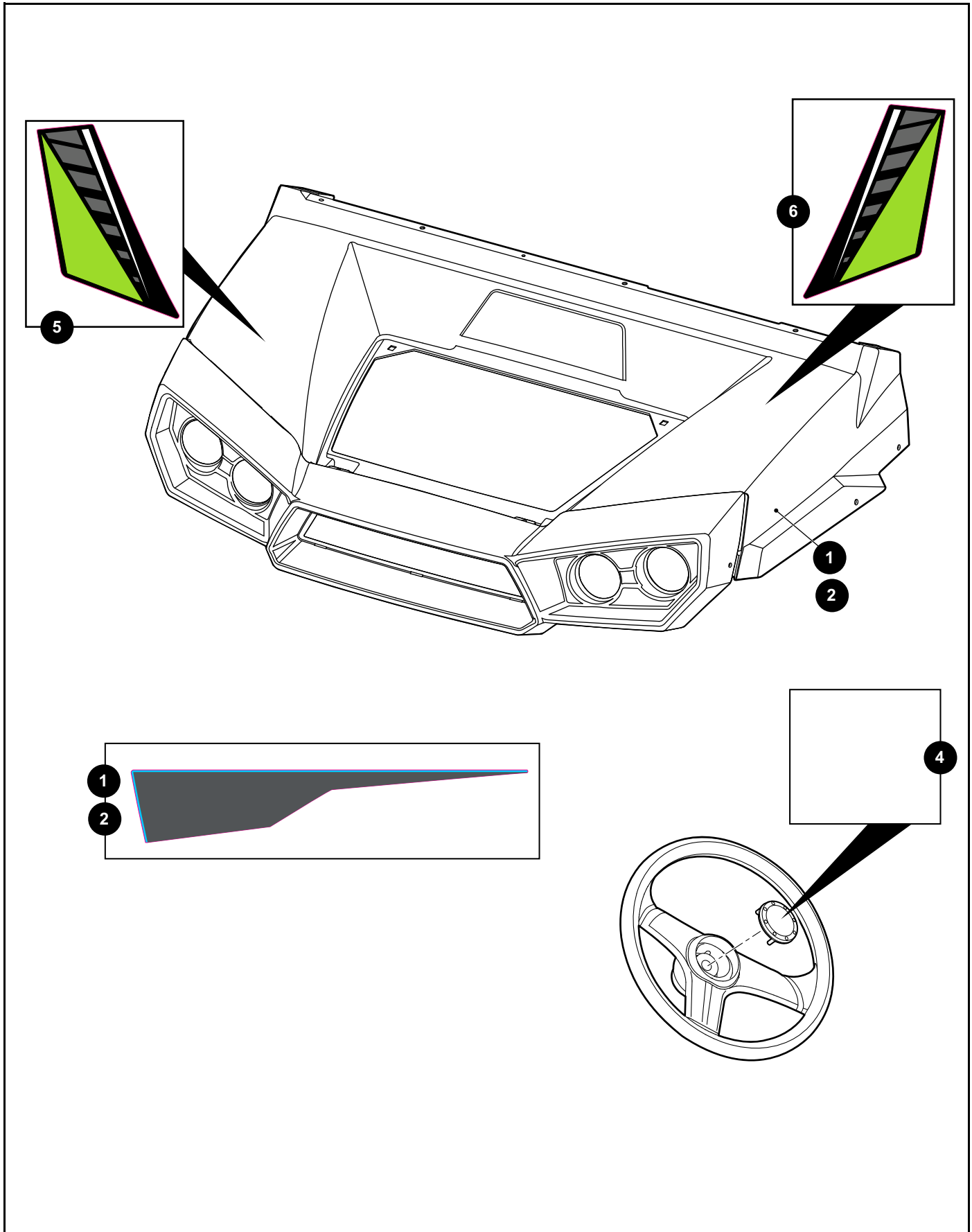
When ordering parts, please specify the model and serial number of the product.

* Indicates a component that is not available as an individual part.

*** Indicates consult Customer Service Department for additional information.

ITEM	PART NO.	1 2 3 4 5	DESCRIPTION	QTY.
1	7411-606		Arctic Cat Fascia Decal.....	1
2				
3	7411-502		Door Decal (Passenger Side)	1
4	7411-503		Door Decal (Driver Side).....	1
5				
6	7411-504		Storage Panel Decal (Passenger Side)	1
7	7411-505		Storage Panel Decal (Driver Side).....	1

DECALS AND LABELS



DECALS AND LABELS

THE USE OF NON U.L. PARTS WILL VOID ANY U.L. LISTING.

When ordering parts, please specify the model and serial number of the product.

* Indicates a component that is not available as an individual part.

*** Indicates consult Customer Service Department for additional information.

ITEM	PART NO.	1 2 3 4 5	DESCRIPTION	QTY.
1	7411-205		Side Hood Decal (Passenger Side)	1
2	7411-204		Side Hood Decal (Driver Side)	1
3				
4	7411-265		Steering Wheel Decal	1
5	7411-500		Top Side Hood Decal (Passenger Side).....	1
6	7411-501		Top Side Hood Decal (Driver Side)	1

DECALS AND LABELS

TEXTRON EMISSION CONTROL SYSTEM (ECS) TWC, SFI, EGR, HO2S, EVAP
 VEHICLE EMISSION CONTROL INFORMATION
 VIN: [] EVID: []
 TUNE-UP SPEC: VALVE CLEARANCE (ENGINE COLD) INTAKE: 0.1 - 0.2 mm EXHAUST: 0.2 - 0.3 mm
 SPARK PLUG: CHAMPION RC12YR ELECTRODE GAP: 0.020 - 0.030 mm
 THIS VEHICLE IS CERTIFIED TO OPERATE ON UNLEADED GASOLINE.
 THIS VEHICLE MEETS U.S. EPA AND CALIFORNIA REGULATORY REQUIREMENTS BY EPA. IT IS CERTIFIED TO EPA 1.6 gpm HC+NOx AND 35.6 gpm CO PER HP PER ACYR (191.107) AND TO CALIFORNIA 1.2 gpm HC+NOx AND 34.6 gpm CO PER HP PER ACYR (191.107) EXHAUST EMISSION STANDARDS AND MEETS U.S. EPA EAP EMISSIONS USING CERTIFIED COMPONENTS AND MEETING CALIFORNIA EVAP STANDARDS PER TOCER 5414.

TEXTRON EMISSION CONTROL SYSTEM (ECS) TWC, SFI, EGR, HO2S, EVAP
 VEHICLE EMISSION CONTROL INFORMATION
 VIN: [] EVID: []
 TUNE-UP SPEC: VALVE CLEARANCE (ENGINE COLD) INTAKE: 0.1 - 0.2 mm EXHAUST: 0.2 - 0.3 mm
 SPARK PLUG: CHAMPION RC12YR ELECTRODE GAP: 0.020 - 0.030 mm
 THIS VEHICLE IS CERTIFIED TO OPERATE ON UNLEADED GASOLINE.
 THIS VEHICLE MEETS U.S. EPA REGULATORY REQUIREMENTS BY EPA. IT IS CERTIFIED TO EPA 1.6 gpm HC+NOx AND 35.6 gpm CO PER HP PER ACYR (191.107) EXHAUST EMISSION STANDARDS AND MEETS U.S. EPA EAP EMISSIONS USING CERTIFIED COMPONENTS.

WARNING
 Clutch Cover

- Moving parts under clutch cover, do not operate vehicle with clutch cover removed.
- Do not modify engine or clutch. Modifications can cause part failure, possible imbalance, and excessive engine RPM which can result in serious injury or death.
- Read vehicle manuals for detailed information on maintenance safety procedures.

643500

WARNING
 MAX GROSS TRLR WT 1500 lb (680 kg)
 MAX TONGUE WT 150 lb (68 kg)
 Do not cut, drill, weld or modify hitch. 645329

Front of Vehicle

WARNING

- No passengers allowed in this area.
- DO NOT fill fuel containers in this area.
- Always make sure the extended cab doors are latched securely.
- Always secure the cargo.
- Maximum load in this area is 170 lbs (77 kg).

643502

Front of Vehicle

DECALS AND LABELS

THE USE OF NON U.L. PARTS WILL VOID ANY U.L. LISTING.

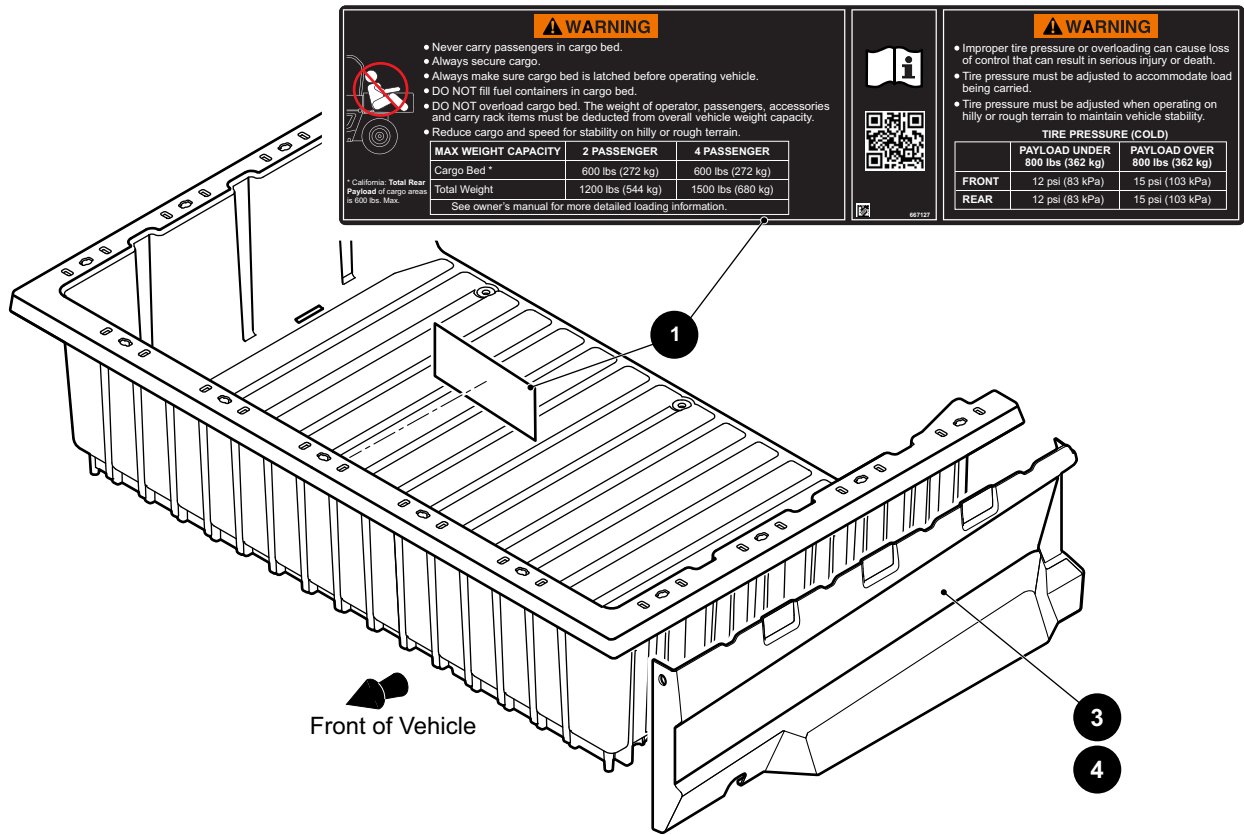
When ordering parts, please specify the model and serial number of the product.

* Indicates a component that is not available as an individual part.

*** Indicates consult Customer Service Department for additional information.

ITEM	PART NO.	1 2 3 4 5	DESCRIPTION	QTY.
1	643600		Clutch Cover Warning Label	1
2				
3	643606		Extended Cab Cargo Warning Label	1
4	645329		Hitch Warning Label	1
5				
6	663815G19		Emission Control Label (For EPA Models Only).....	1
7	663646G19		Emission Control Label (For CARB Models Only)	1

DECALS AND LABELS



DECALS AND LABELS

THE USE OF NON U.L. PARTS WILL VOID ANY U.L. LISTING.

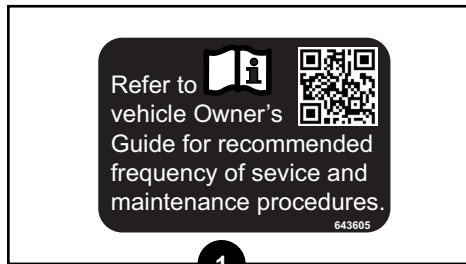
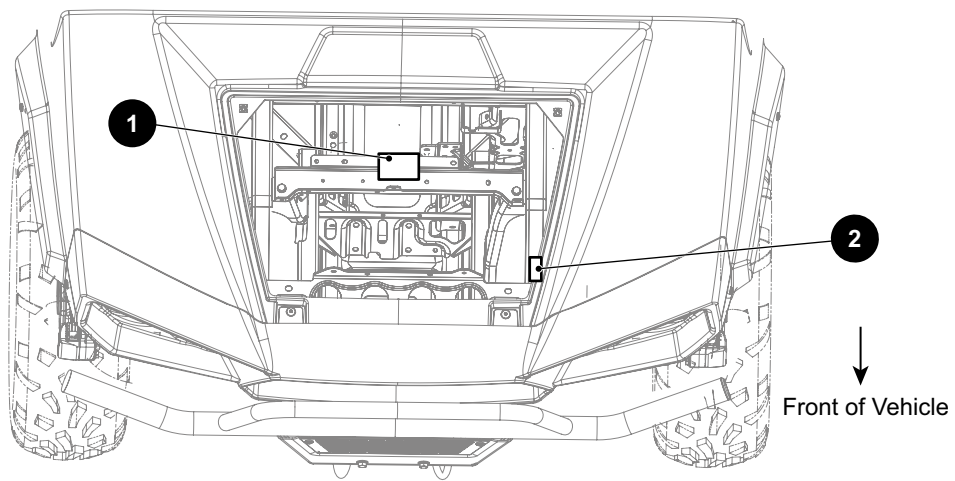
When ordering parts, please specify the model and serial number of the product.

* Indicates a component that is not available as an individual part.

*** Indicates consult Customer Service Department for additional information.

ITEM	PART NO.	1 2 3 4 5	DESCRIPTION	QTY.
1	667127		Bed Capacity Label	1
2				
3	7411-506		Box Decal (Passenger Side).....	1
4	7411-507		Box Decal (Driver Side).....	1

DECALS AND LABELS



DECALS AND LABELS

THE USE OF NON U.L. PARTS WILL VOID ANY U.L. LISTING.

When ordering parts, please specify the model and serial number of the product.

* Indicates a component that is not available as an individual part.

*** Indicates consult Customer Service Department for additional information.

ITEM	PART NO.	1 2 3 4 5	DESCRIPTION	QTY.
1	643605		Maintenance Label.....	1
2	608823		Hot Decal, CE	3

To locate your nearest dealer,
visit www.arcticcat.com

