



CUSHMAN®
LET'S WORK!

Gasoline Service Parts Manual



624952-BD

ISSUED SEPTEMBER 2011

REVISED MARCH 2018

SERVICE PARTS MANUAL

GASOLINE POWERED UTILITY VEHICLE

HAULER 800

STARTING MODEL YEAR 2012

DISCLAIMER: The E-Z-GO Division of Textron Inc. (E-Z-GO) reserves the right to incorporate engineering and design changes to products in this Manual, without obligation to include these changes on units leased/sold previously.

The information contained in this Manual may be revised periodically E-Z-GO, and therefore is subject to change without notice.

E-Z-GO DISCLAIMS LIABILITY FOR ERRORS IN THIS MANUAL, and E-Z-GO SPECIFICALLY DISCLAIMS LIABILITY FOR INCIDENTAL AND CONSEQUENTIAL DAMAGES RESULTING FROM THE USE OF THE INFORMATION AND MATERIALS IN THIS MANUAL.

TO CONTACT US

NORTH AMERICA:

TECHNICAL ASSISTANCE & WARRANTY PHONE: 1-800-774-3946, FAX: 1-800-448-8124

SERVICE PARTS PHONE: 1-888-GET-EZGO (1-888-438-3946), FAX: 1-800-752-6175

INTERNATIONAL: PHONE: 001-706-798-4311, FAX: 001-706-771-4609

E-Z-GO DIVISION OF TEXTRON INC., 1451 MARVIN GRIFFIN RD., AUGUSTA, GEORGIA USA 30906-3852

GENERAL INFORMATION

To obtain a copy of the limited warranty applicable to the vehicle, call or write a local Distributor, authorized Branch or the Warranty Department with vehicle serial number and manufacturer code.

The use of non Original Equipment Manufacturer (OEM) parts may void the warranty.

Overfilling of batteries may void the warranty.

BATTERY PROLONGED STORAGE

All batteries will self discharge over time. The rate of self discharge varies depending on the ambient temperature and the age and condition of the batteries.

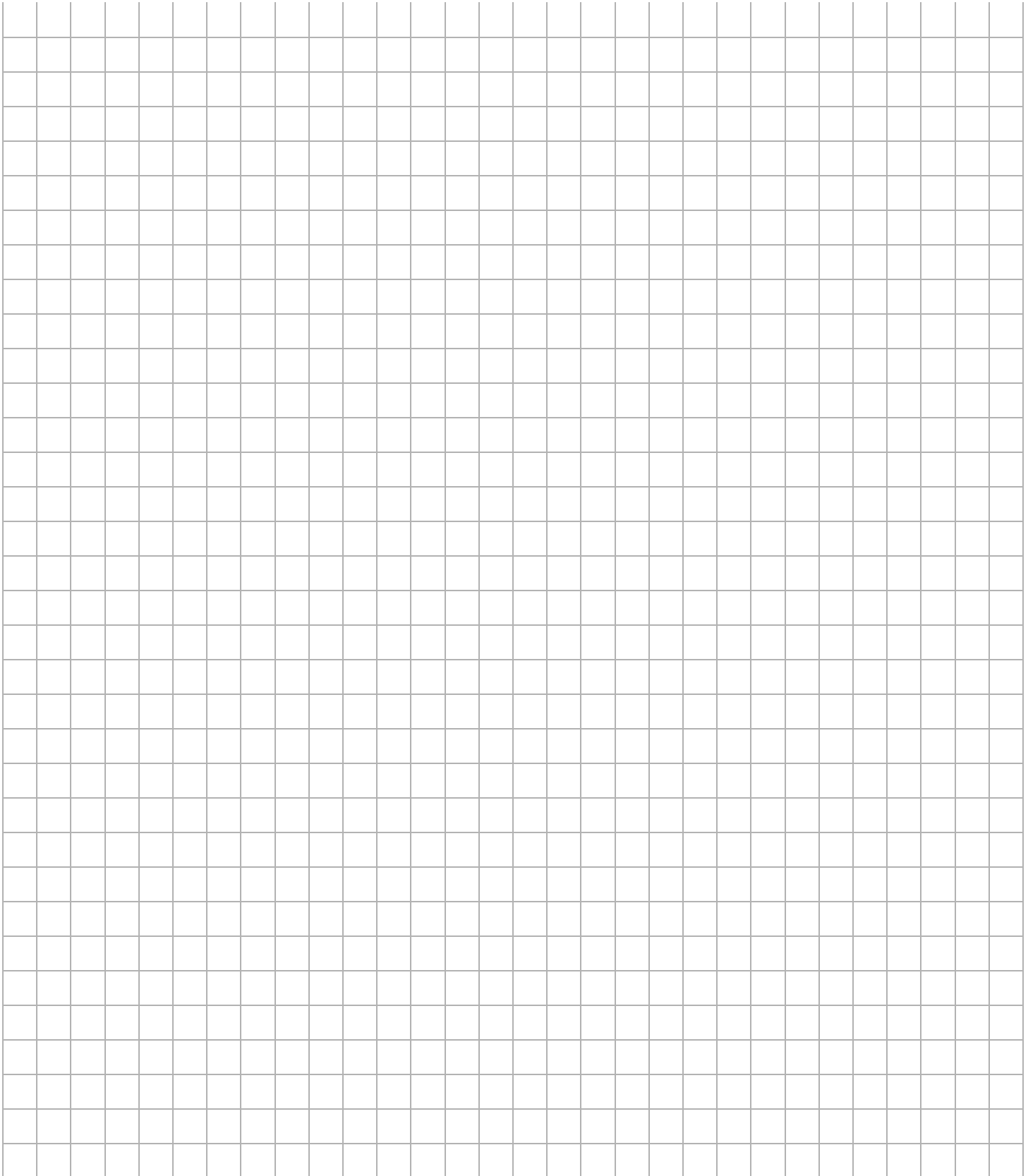
A fully charged battery will not freeze in winter temperatures unless the temperature falls below -75°F (-60°C).

As with all electric vehicles, the batteries must be checked and recharged as required or at a minimum of 30 day intervals.

TABLE OF CONTENTS

SECTION	Page No.
HOW TO USE THE SERVICE PARTS MANUAL.....	v
ACCELERATOR.....	A-1
AIR FILTER.....	B-1
BODY.....	C-1
BRAKES - MECHANICAL AND FRONT DISC BRAKES.....	D-1
CAB.....	E-1
CARBURETOR AND CHOKE.....	F-1
CLUTCH.....	G-1
DIRECTION SELECTOR.....	H-1
ELECTRICAL SYSTEM.....	J-1
ENGINE MOUNTING.....	K-1
ENGINE AND MUFFLER.....	L-1
FRONT SUSPENSION AND STEERING.....	M-1
FUEL SYSTEM.....	N-1
REAR AXLE.....	P-1
REAR SUSPENSION.....	Q-1
ROPS.....	R-1
SEATING.....	S-1
STARTER / GENERATOR.....	T-1
TRUCK BED - PLASTIC, METAL AND REFRESHER COOLER.....	U-1
WEATHER PROTECTION.....	V-1
WHEELS AND TIRES.....	W-1

NOTES



HOW TO USE THE SERVICE PARTS MANUAL

This manual is divided into several sections:

- GENERAL INFORMATION
- ILLUSTRATED PARTS BREAKDOWN
- APPENDIX

The first section, GENERAL INFORMATION, contains the following information:

- WARRANTY INFORMATION
- GENERAL INDEX
- HOW TO USE THE SERVICE PARTS MANUAL

The second section, ILLUSTRATED PARTS BREAKDOWN, contains illustrations and parts lists for all systems of your vehicle.

The third section, APPENDIX, contains a listing of specialty products and accessories.

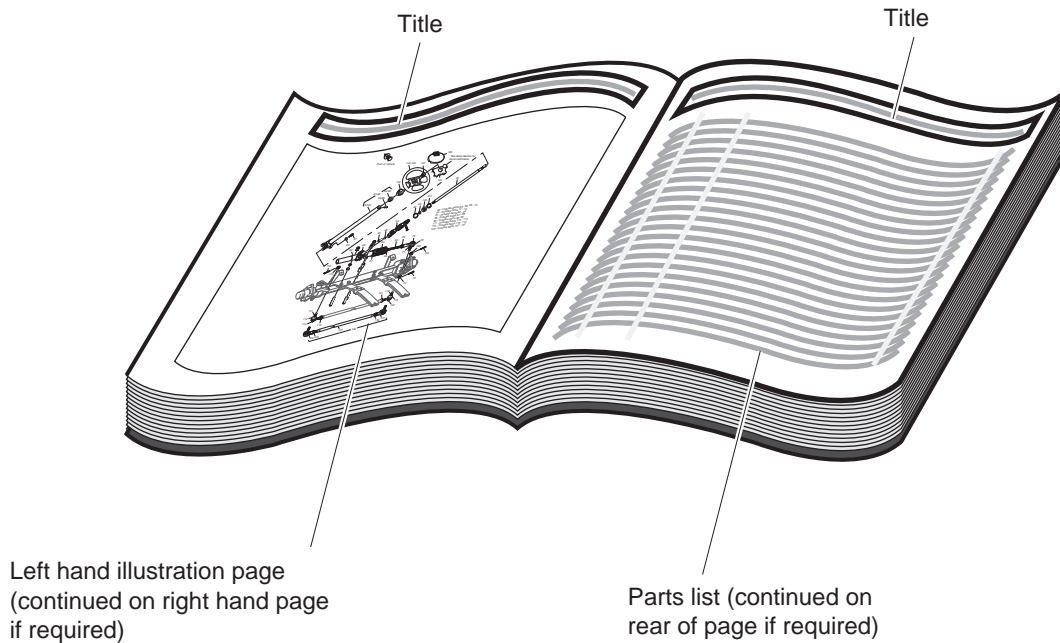
USE OF THE MANUAL

To use this manual, consult the GENERAL INDEX to locate the information or illustration required.

Introduction of some revisions varies due to supply of components; therefore, it is possible that various combinations of components may be found that are not directly reflected by each illustration. Consult the illustration that best suits your situation and then contact the Service Parts Department. It is important that the serial number of your vehicle and its model number be supplied to Service Parts when ordering any replacement components.

Locate the serial number plate (see BODY located in the Illustrated Parts Breakdown section of this manual for its location) and note the complete number shown on the plate.

HOW TO USE THE SERVICE PARTS MANUAL



1. WHEN THE PART NUMBER IS NOT KNOWN

- Determine the function and application of the part required. Turn to the General Index and select the most appropriate title.
- Turn to the page number indicated and locate the desired part on the illustration.
- From the illustration, obtain the item number assigned to the desired part. Refer to the accompanying description for specific information regarding the part.

2. IF YOU KNOW THE PART NUMBER

- Locate the part number or description in the appropriate column on the parts list page.

NOTE: It is suggested that you confirm that the part selected is correct by verifying it with the pictorial representation on the illustrated page.

Should an asterisk (*) appear in the part number column on the parts list page, read upwards until a part number is found. The part number is the lowest assembly sold by Service Parts and the asterisk (*) indicates that the part depicted is not available for purchase.

NOTE: Descriptions are indented under the assembly that they are used on. That assembly is, in turn listed under the assembly that it is used on. This process is repeated until the highest final assembly is reached.

To facilitate the maintenance and repair of the vehicle, a Technician's Repair and Service Manual is available from the Service Parts Department.

HOW TO USE THE SERVICE PARTS MANUAL

3. COLOR CODE FOR BODY COMPONENTS

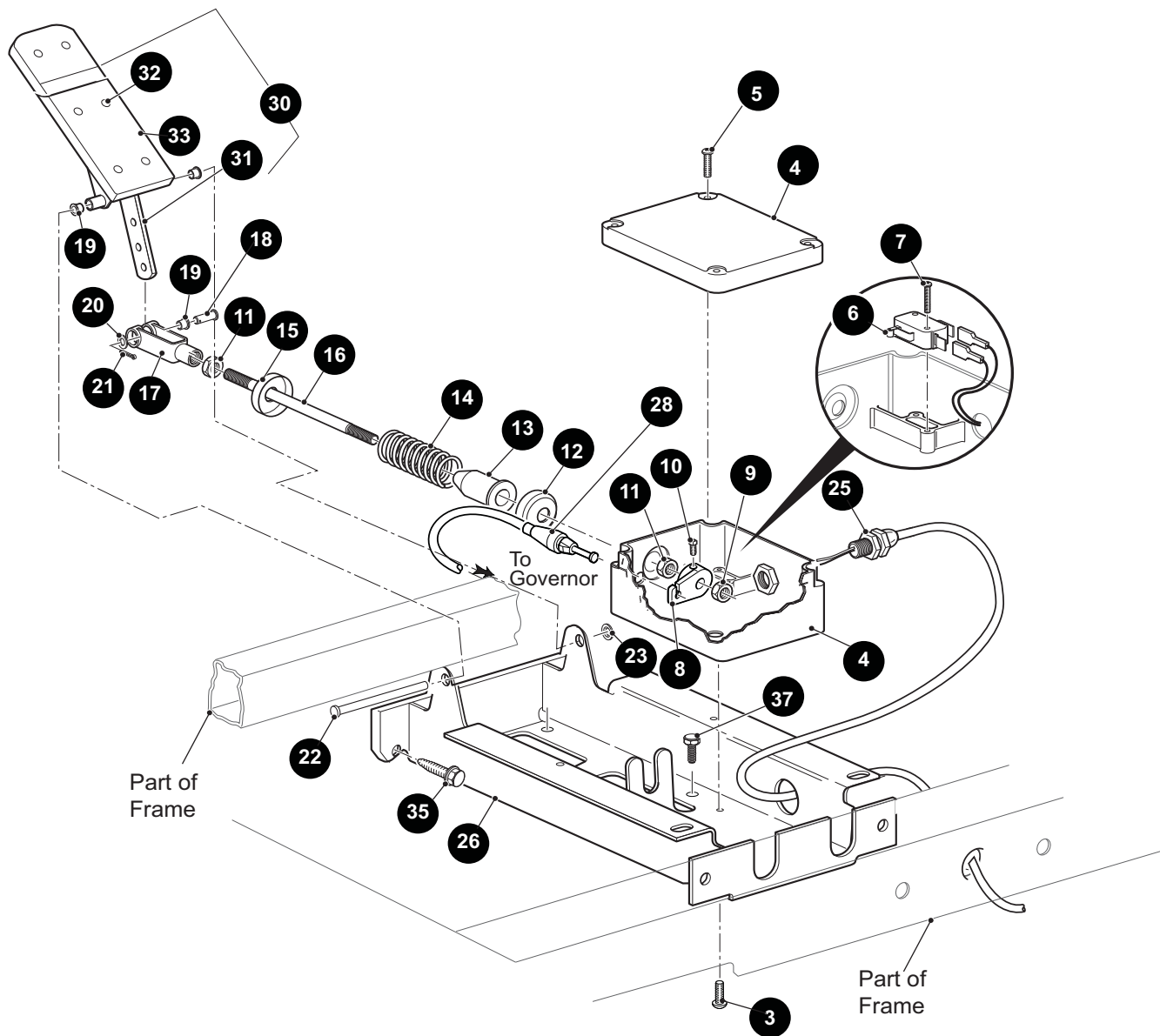
The last two digits of the part number for the body part will denote the color code, locate the part number for the cowl, rear body, seat pod, side panel or seat wrap then locate your color in the list below, replace the last ** or XX with the two digit color code.

<u>CODE #</u>	<u>DESCRIPTION</u>	<u>CODE #</u>	<u>DESCRIPTION</u>
01	NO PAINT	53	MOSSY OAK NEW BREAK UP - DIPPED
02	SPECIAL COLOR	54	MOSSY OAK OBSESSION - DIPPED
05	JACOBSEN ORANGE	55	REALTREE ADVANTAGE MAX 4 - DIPPED
06	LIGHT GOLD PEARL	56	REALTREE HARDWOOD BROWN - DIPPED
07	SILVER PEARL METALIC	57	REALTREE AP HOT PINK - DIPPED
11	BLACK	58	BLACK / SILVER MARBLE - DIPPED
12	EMERALD GREEN PEARL	59	RED / SILVER MARBLE - DIPPED
13	CLOUD GRAY	60	HOT PINK / SILVER MARBLE - DIPPED
14	VIPER BLUE METALLIC	61	REALTREE AP
19	PATRIOT BLUE PEARL	62	REALTREE MAX 4
20	INFERNO RED METALLIC	63	MOSSY OAK BREAKUP
23	ADVANTAGE CLASSIC CAMO	64	MOSSY OAK TREESTAND
24	NATURAL	65	REALTREE APG
25	VIVID NEW HOLLAND BLUE	66	REALTREE MAX 1
26	STEEL BLUE PEARL	67	REALTREE AP PINK
27	BRIGHT SILVER METALLIC	68	REALTREE AP - DIPPED
29	PRIMER ONLY		
30	HD ADVANTAGE CAMO		
31	METALLIC CHARCOAL		
32	LIGHT ALMOND PEARL		
33	TIMBERLINE GREEN		
34	DEEP MOLTEN RED		
35	SAFETY YELLOW		
36	IVORY		
37	FOREST GREEN		
38	BRIGHT WHITE		
39	FLAME RED		
40	BLACK		
41	ELECTRIC BLUE		
42	PLATINUM		
43	BURGUNDY		
44	ALMOND		
45	BLACK		
46	FLAME RED		
47	BURLINGTON GREEN		
48	BLACK		
49	FLAME RED		
50	RECON GREEN		
51	SUNBURST ORANGE		
52	BRITISH RACING GREEN		

ACCELERATOR

1 PEDAL BOX ASSEMBLY Includes items 3 - 33

30 ACCELERATOR PEDAL ASSEMBLY Includes items 31 - 33

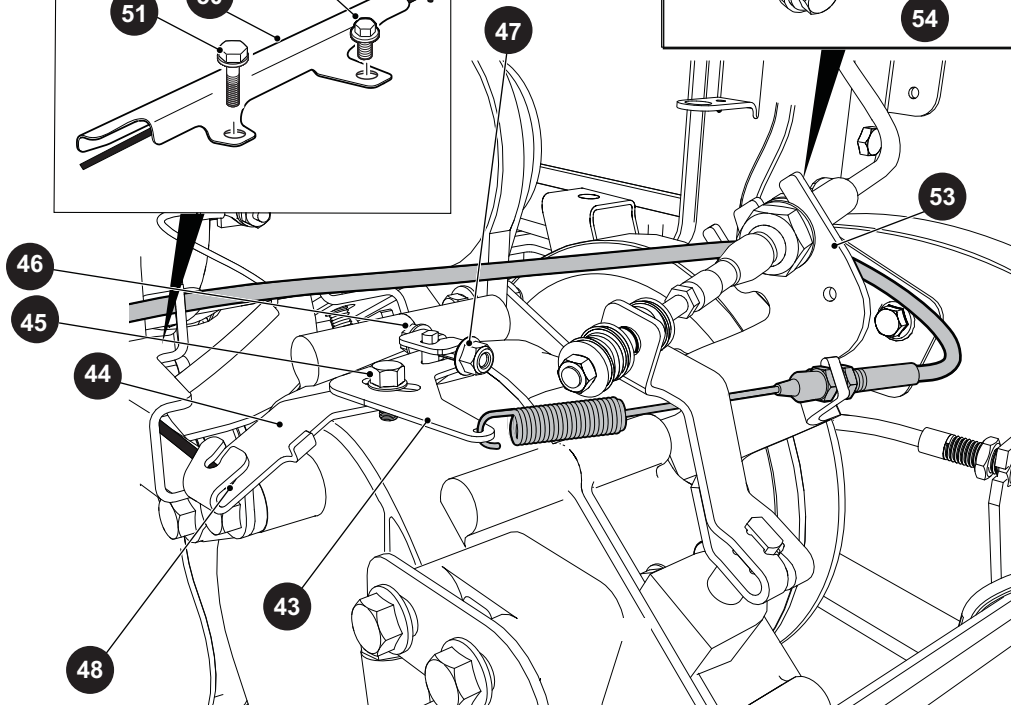
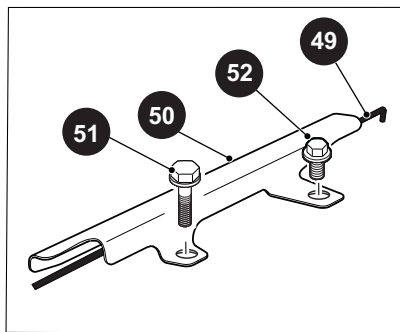
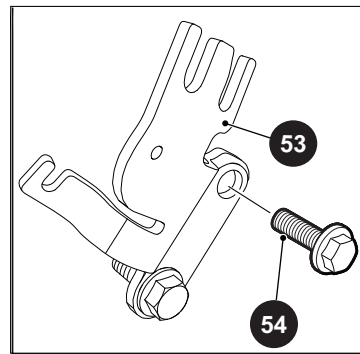
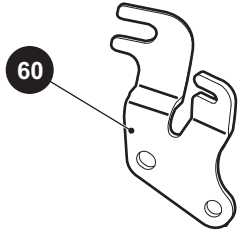


⚠ WARNING

DO NOT TAMPER WITH OR ATTEMPT TO CHANGE THE ADJUSTMENT OF THE GOVERNOR. GOVERNOR TAMPERING CAN RESULT IN SERIOUS PERSONAL INJURY AND WILL VOID THE VEHICLE WARRANTY.

56

FOR VEHICLES MANUFACTURED FROM APRIL 2014



Differential

ACCELERATOR

When ordering parts, please specify the model and serial number of the product.

* Indicates a component that is not available as an individual part.

*** Indicates consult Customer Service Department for additional information.

ITEM	PART NO.	1	2	3	4	5	DESCRIPTION	QTY.
1	606990						PEDAL BOX ASSEMBLY (INCLUDES ITEMS 2 - 33).....	1
2	652241G03						ACCELERATOR PEDAL BRACKET	1
3	01051G01						SCREW, #8 - 16 X 1/2" LG	4
4	25853G03						PEDAL BOX AND COVER.....	1
5	00684G6						SCREW, #8 - 32 X 3/4" LG (STAINLESS STEEL).....	2
6	25861G01						MICRO SWITCH	1
7	01050G01						SCREW, #4 - 20 X 5/8" LG	2
8	72716G01						MICRO SWITCH CAM.....	1
9	15126G1						LOCK NUT, 5/16 - 24	1
10	00487G3						SETSCREW, 1/4 - 20 X 3/8" LG	1
11	00532G4						NUT, 5/16 - 24.....	2
12	17677G1						SPRING RETAINER	1
13	17979G1						ACCELERATOR ROD BUSHING	1
14	73046G01						COMPRESSION SPRING	1
15	17677G2						SPRING RETAINER	1
16	72072G01						ACCELERATOR ROD	1
17	10385G4						CLEVIS YOKE (ADJUSTABLE).....	1
18	10386G3						CLEVIS PIN, 5/16" X 13/16" LG.....	1
19	17838G1						NYLON BUSHING	3
20	17255G1						TEFLON WASHER, 5/16"	1
21	10387G3						COTTER PIN, 3/32" X 3/4" LG.....	1
22	74432G01						PEDAL PIVOT PIN.....	1
23	12064G6						PUSH NUT, 9/32"	1
24								
25	72201G04						WIRE HARNESS (PEDAL BOX).....	1
26								
27								
28	608608						ACCELERATOR CABLE.....	1
29								
30	25799G03						ACCELERATOR PEDAL ASSEMBLY (INCLUDES ITEMS 31- 33)	1
31	652824						ACCELERATOR PEDAL	1

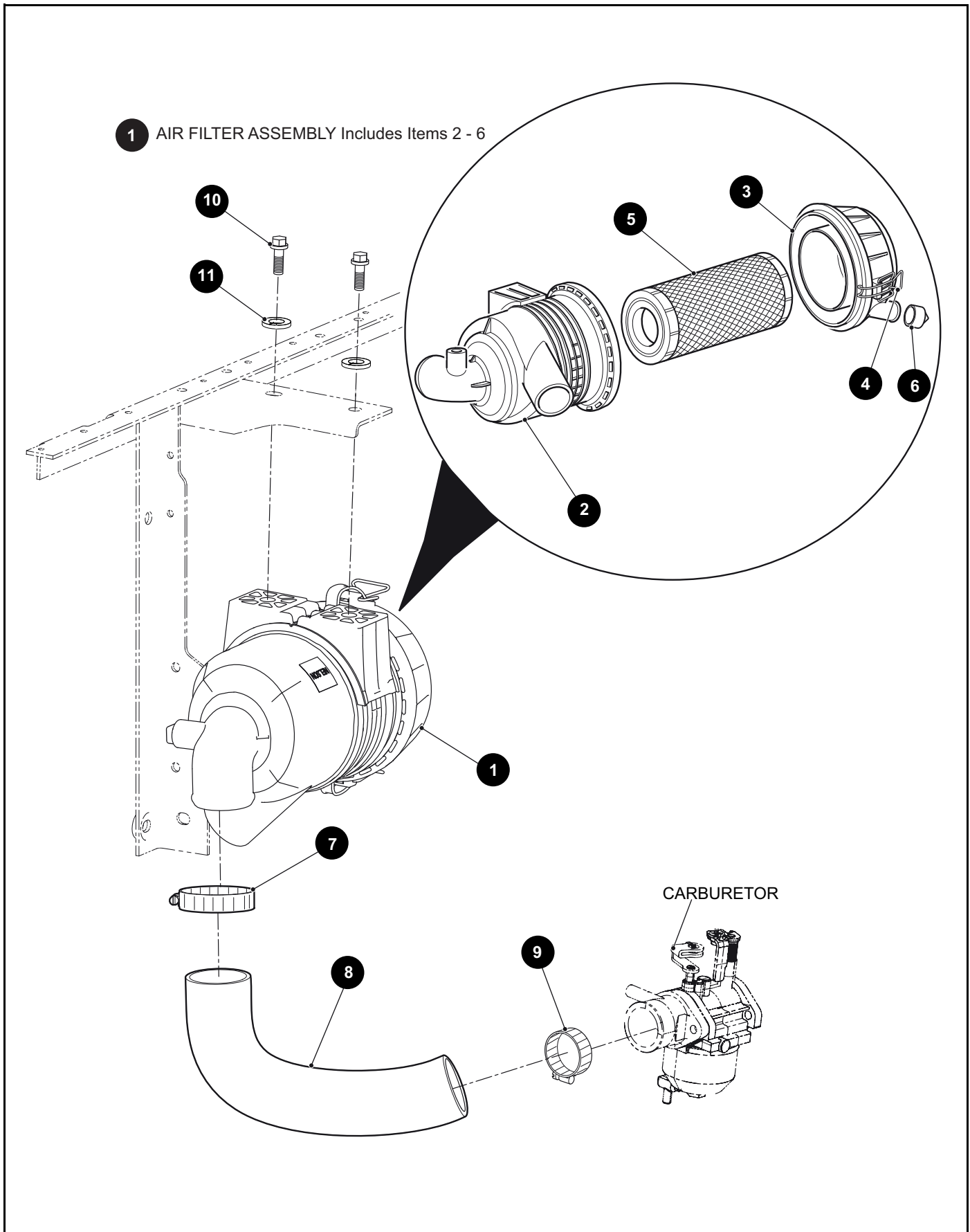
When ordering parts, please specify the model and serial number of the product.

* Indicates a component that is not available as an individual part.

*** Indicates consult Customer Service Department for additional information.

ITEM	PART NO.	1	2	3	4	5	DESCRIPTION	QTY.
32	16409G1						OVAL RIVET, 3/16" X 7/16" LG	6
33	27512G01						ACCELERATOR PEDAL PAD.....	1
34								
35	00715G2						BOLT, 5/16" -18 X 4/5" LG	4
36								
37								
38								
39								
40								
41								
42								
43	606083						UPPER GOVERNOR BRACKET.....	1
44	606005						LOWER GOVERNOR BRACKET	1
45	606265						BOLT, M6 - 1 X 12.....	1
46	606421						BOLT, M6 - 1 X 30.....	1
47	450452						NUT, M6 - 1.0.....	1
48	606283						GOVERNOR LEVER BUSHING	1
49	606284						GOVERNOR ROD	1
50	603890						GOVERNOR ROD GUARD	1
51	606264						BOLT, M6 - 1 X 20.....	1
52	606262						BOLT, M8 - 1.25 X 16.....	1
53	606074						GOVERNOR CABLE / DIRECTION SELECTOR BRACKET	1
54	606256						BOLT, M10 - 1.25 X 16.....	2
55								
56	608527						GOVERNOR WARNING DECAL.....	1
57								
58								
59	17618G1						NYLON CLAMP	2
60	632936						GOVERNOR CABLE / DIRECTION SELECTOR BRACKET (FOR VEHICLES MANUFACTURED FROM APRIL 2014)	1

AIR FILTER



AIR FILTER

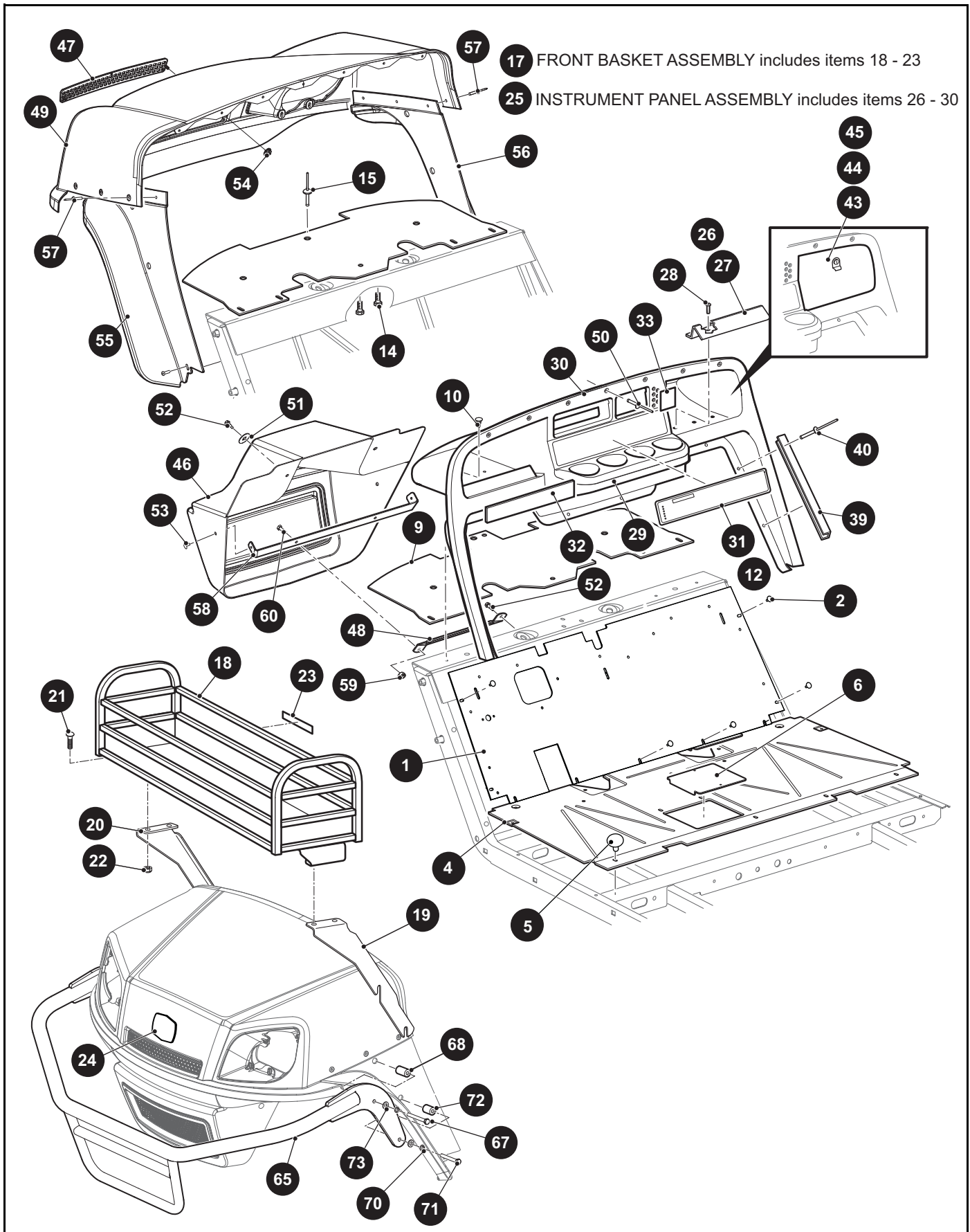
When ordering parts, please specify the model and serial number of the product.

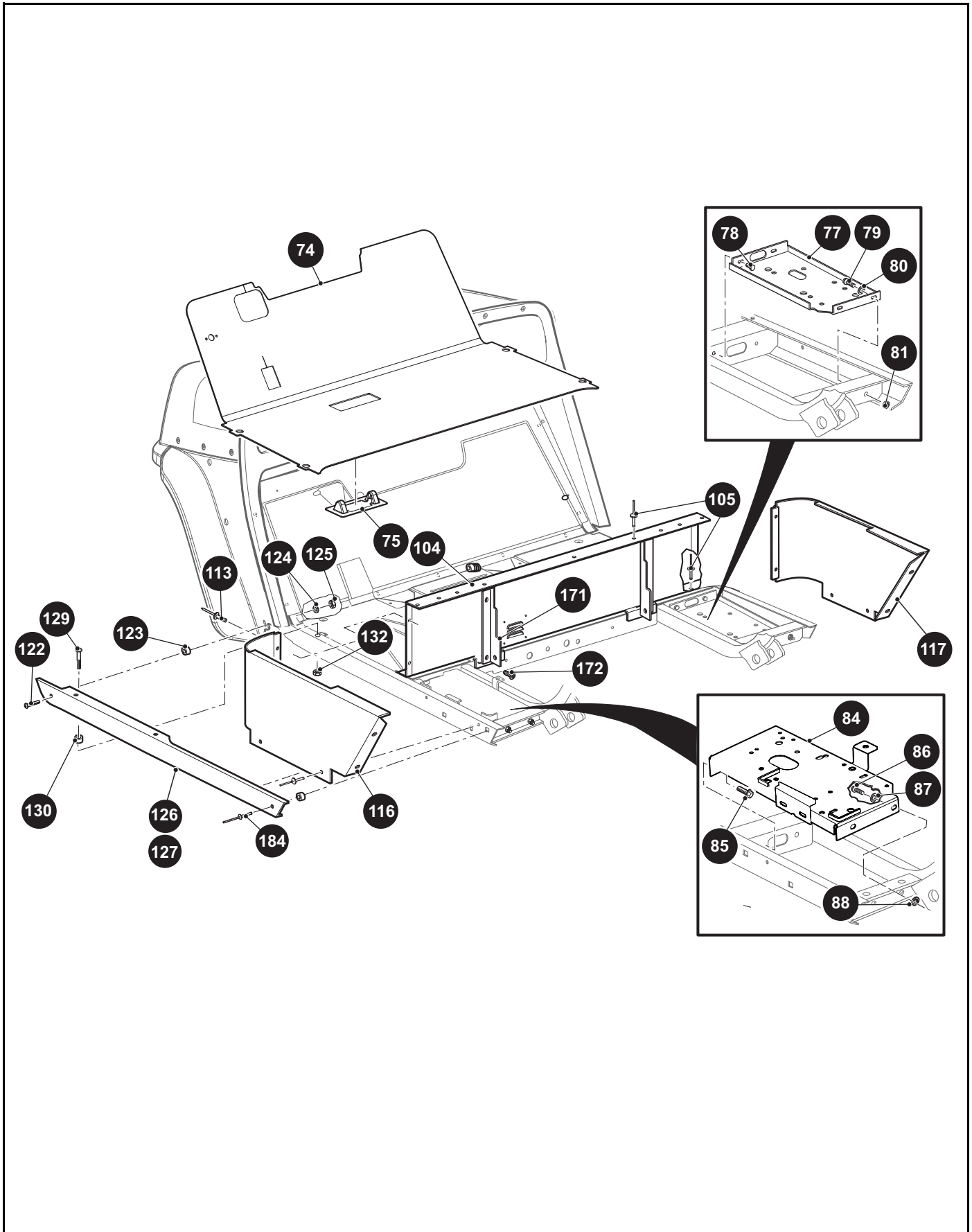
* Indicates a component that is not available as an individual part.

*** Indicates consult Customer Service Department for additional information.

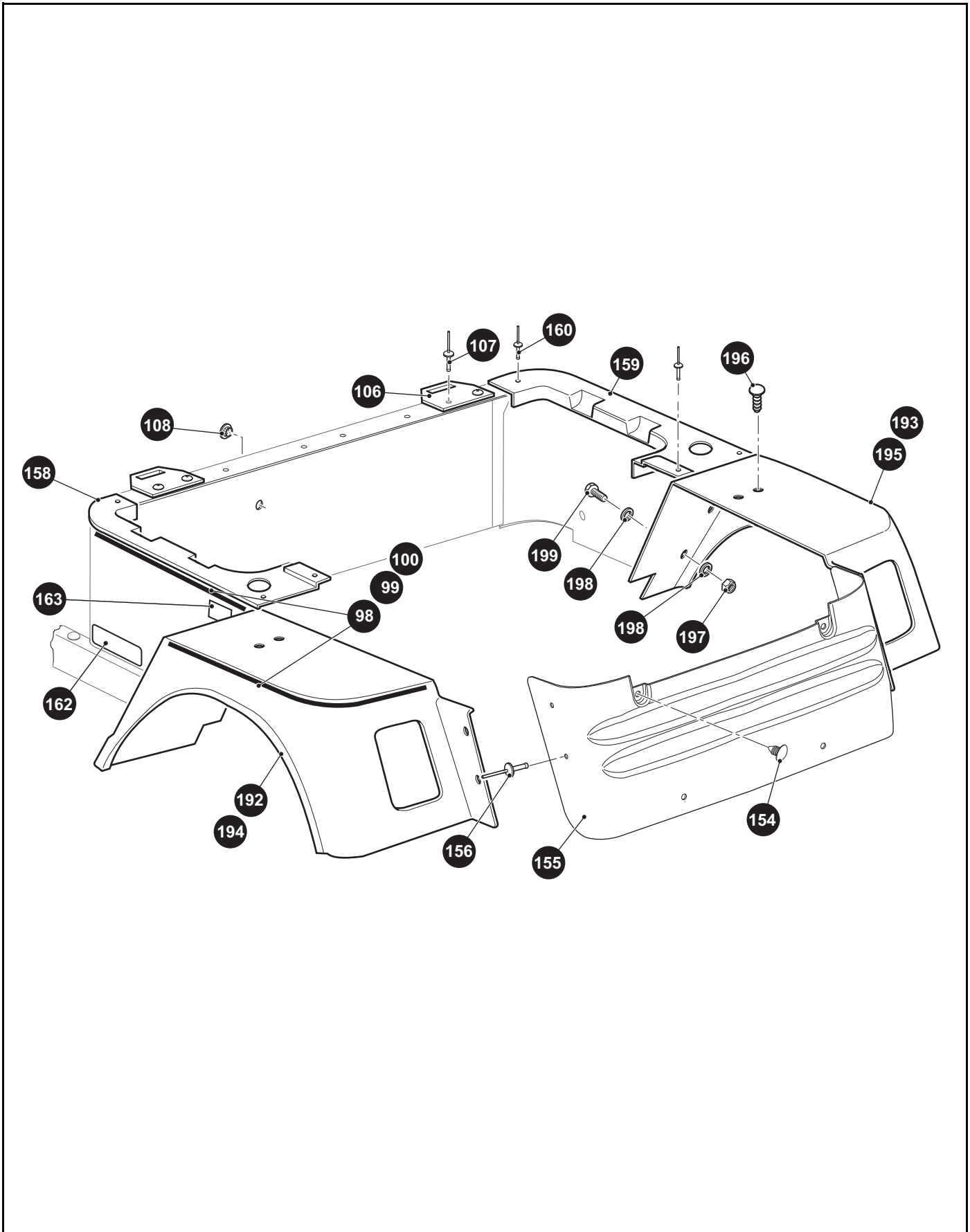
ITEM	PART NO.	1 2 3 4 5	DESCRIPTION	QTY.
1	658941		AIR CLEANER (INCLUDES ITEMS 2 - 6)	1
2	659139		AIR CLEANER BODY.....	1
3	658957		AIR CLEANER COVER.....	1
4	72604G01		AIR CLEANER CLIP.....	2
5	28463G01		AIR FILTER ELEMENT.....	1
6	28462G01		DUST EJECTOR VALVE	1
7	11391G7		HOSE CLAMP.....	1
8	601910		HOSE, 14" LONG	1
9	11391G1		HOSE CLAMP.....	1
10	606271		BOLT M8 - 1.25 X 20	2
11	606272		LOCK WASHER, 8 MM.....	2

BODY



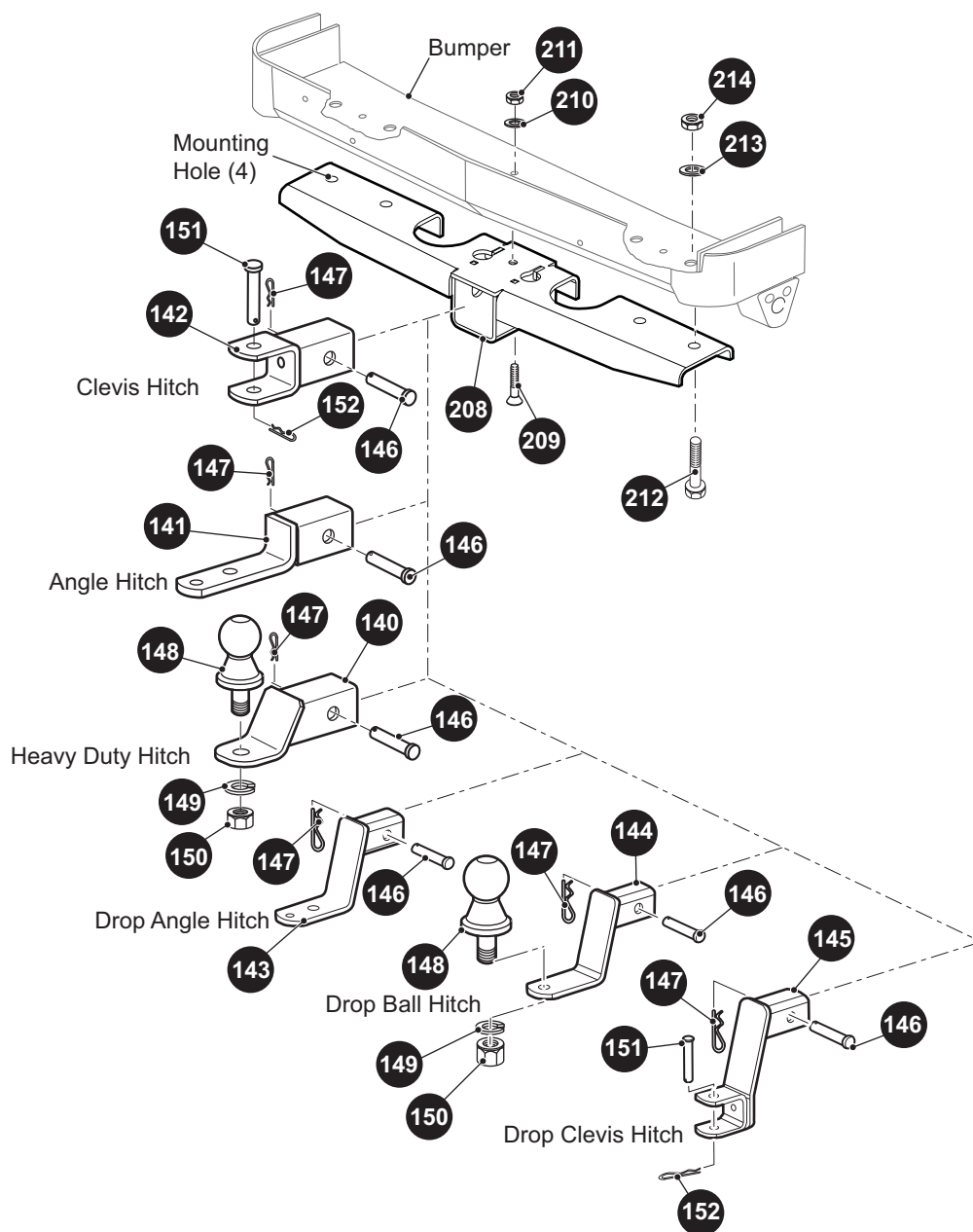


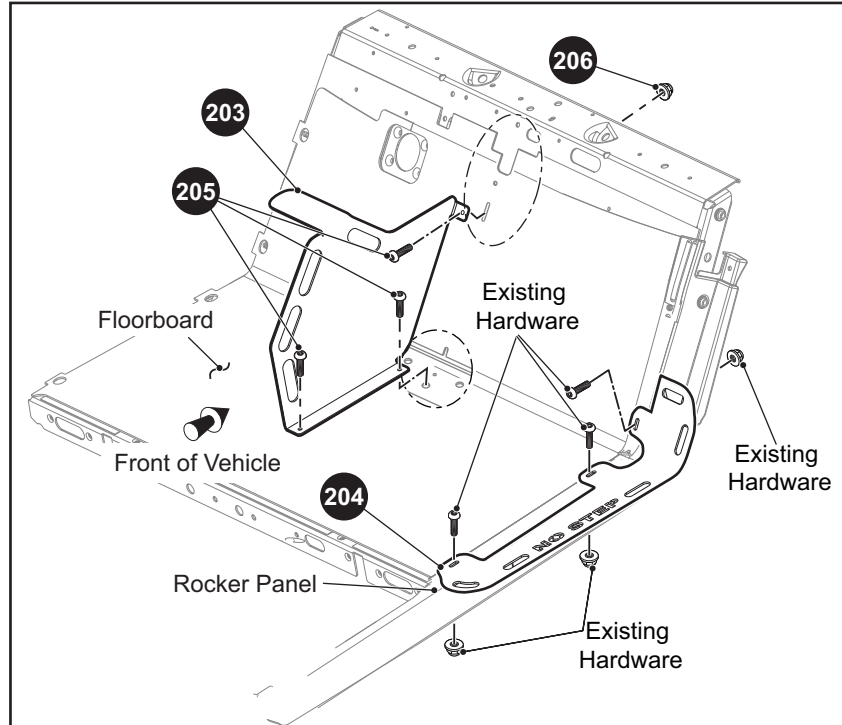
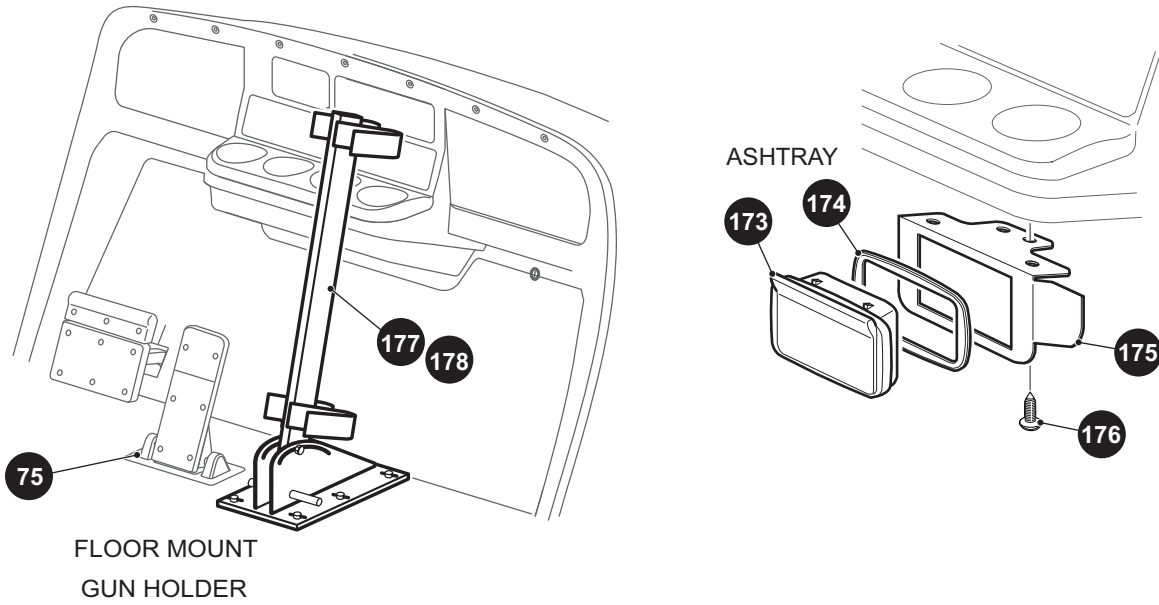
BODY



HITCHES

- 134** HEAVY DUTY HITCH KIT includes items 140, 146 - 148
- 135** ANGLE HITCH KIT includes items 141, 146 - 147
- 136** CLEVIS HITCH KIT includes items 142, 146 - 147, 151 - 152
- 137** DROP ANGLE HITCH KIT includes items 143, 146 - 147
- 138** DROP BALL HITCH KIT includes items 144, 146 - 148
- 139** DROP CLEVIS HITCH KIT includes items 145 - 147, 151 - 152





When ordering parts, please specify the model and serial number of the product.

* Indicates a component that is not available as an individual part.

*** Indicates consult Customer Service Department for additional information.

ITEM	PART NO.	1 2 3 4 5	DESCRIPTION	QTY.
1	637534		UPPER FLOORPAN	1
2	14601G11		RIVET (ALUMINUM), 3/16" X 9/16" LG	9
3				
4	70451G01		LOWER FLOORPAN	1
5	14601G11		RIVET (ALUMINUM), 3/16" X 9/16" LG	7
6	70452G01		ACCESS COVER.....	1
7				
8				
9	71413G01		SPLASH PANEL.....	1
10	16816G2		RATCHET FASTENER, 1/4" X 3/4" LG.....	4
11				
12	625743		SAFETY AND OPERATION LABEL, CE.....	1
13				
14	71102G02		SELF TAPPING SCREW, 1/4" - 20 X 1/2" LG	3
15	71055G01		RIVET (ALUMINUM), 3/16" X 1 1/8" LG	1
16				
17	74521G02		FRONT BASKET ASSEMBLY (INCLUDES ITEMS 18 - 23).....	1
18	74523G01		FRONT BASKET	1
19	74522G01		BASKET MOUNTING BRACKET (DRIVER SIDE).....	1
20	74522G02		BASKET MOUNTING BRACKET (PASSENGER SIDE)	1
21	00769G2		CARRIAGE BOLT (SS), 3/8" - 16 X 1.25" LG.....	4
22	11098G5		LOCK NUT, 3/8" - 16	4
23	71931G01		WARNING LABEL, FRONT BASKET.....	1
24	619135		CUSHMAN COWL DECAL	1
25	71151G01		INSTRUMENT PANEL ASSEMBLY (INCLUDES ITEMS 26 - 30).....	1
26	71153G01		DEFLECTOR (PASSENGER SIDE)	1
27	71154G01		DEFLECTOR (DRIVER SIDE).....	1
28	00614G5		SELF TAP PAN HEAD SCREW, #8 - 18 X 5/8" LG	4
29	71158G01		INSTRUMENT PANEL INSERT (FOUR CUP)	1
30	71152G01		INSTRUMENT PANEL.....	1
31	601781		SAFETY LABEL	1

BODY

When ordering parts, please specify the model and serial number of the product.

* Indicates a component that is not available as an individual part.

*** Indicates consult Customer Service Department for additional information.

ITEM	PART NO.	1 2 3 4 5	DESCRIPTION	QTY.
32	74443G01		LABEL (ANTI-ROLLBACK).....	1
33	35968G01		LABEL (T-HOLDER COVER)	1
34				
35				
36				
37				
38				
39	71115G01		VINYL TRIM.....	2
40	71055G01		RIVET (ALUMINUM), 3/16" X 1" LG.....	10
41				
42				
43	75459G01		GLOVE BOX DOORS (BOTH SIDES)	1
44	75459G02		GLOVE BOX DOOR (DRIVER SIDE)	1
45	75459G03		GLOVE BOX DOOR (PASSENGER SIDE)	1
46	613273		FRONT FASCIA.....	1
47	617643		COWL GRILL COVER	1
48	70725G02		FRONT SHIELD BRACE	2
49	613036G**		COWL (See COLOR CODE in HOW TO USE Section of Manual)	1
50	71055G01		RIVET (ALUMINUM), 3/16" X 1" LG.....	7
51	16469G1		FENDER WASHER, 9/32".....	2
52	01038G01		SWAGEFORM SCREW, 1/4" - 20 X 0.7" LG.....	4
53	15058G1		RIVET (ALUMINUM), 3/14"	2
54	71597G01		SELF THREADING NUT, 5 X 10 X 15MM.....	2
55	614378		FENDER FLARE (DRIVER SIDE).....	1
56	613274		FENDER FLARE (PASSENGER SIDE)	1
57	71055G01		RIVET (ALUMINUM), 3/16" X 1" LG.....	6
58	618653		FASCIA BRACKET	1
59	14390G4		PLASTIC INSERT LOCK NUT, 1/4" - 20	2
60	00414G6		HEX HEAD BOLT, 1/4" - 20 X 3/4" LG.....	2
61				
62				

When ordering parts, please specify the model and serial number of the product.

* Indicates a component that is not available as an individual part.

*** Indicates consult Customer Service Department for additional information.

ITEM	PART NO.	1 2 3 4 5	DESCRIPTION	QTY.
63				
64				
65	617620		BRUSHGUARD.....	1
66				
67	00440G6		CAP HEAD SCREW, 5/16" - 18 X 2 - 3/4"	2
68	75048G02		SPACER, 0.328" X 1.31" ,.....	2
69				
70	00905G8		LOCK WASHER, 5/16"	4
71	00440G2		HEX HEAD BOLT, 5/16" - 18 X 2 3/4" LG	4
72	75048G04		SPACER, 0.328" X 0.75"	2
73	00559G8		FLAT WASHER, 5/16"	4
74	70663G06		FLOORMAT WITH HORN HOLES, DIAMOND PLATE	1
75	70135G01		PEDAL PIVOT COVER.....	1
76				
77	70244G05		SPLASH PANEL.....	1
78	00715G2		HEX HEAD BOLT, 5/16" - 18 X 4/5" LG	4
79	00438G8		HEX HEAD BOLT, 5/16" - 18 X 1" LG	2
80	00559G8		FLAT WASHER, 5/16"	2
81	11098G6		LOCK NUT (SS), 5/16" - 18	2
82				
83				
84	652441G03		BATTERY TRAY.....	1
85	00715G2		HEX HEAD BOLT, 5/16" - 18 X 4/5" LG	AR
86	00438G6		HEX HEAD BOLT, 5/16" - 18 X 3/4" LG	3
87	00571G2		FLAT WASHER, 5/16"	1
88	00565G8		LOCK WASHER, 5/16"	1
89				
90				
91				
92				
93				

BODY

When ordering parts, please specify the model and serial number of the product.

* Indicates a component that is not available as an individual part.

*** Indicates consult Customer Service Department for additional information.

ITEM	PART NO.	1	2	3	4	5	DESCRIPTION	QTY.
94								
95								
96								
97								
98								
99								
100								
101								
102								
103								
104	609143G**						SEAT WRAP WITH LOUVERS (See COLOR CODE in HOW TO USE Section).....	1
105	10570G10						RIVET (SS), 5/32" X 9/16" LG	8
106	71609G01						SEAT HINGE PLATE	2
107	10570G11						RIVET (SS), 3/16" X 3/4" LG	4
108	20271G02						HOLE PLUG	1
109								
110								
111								
112								
113	10570G10						RIVET (SS), 5/32" X 9/16" LG	4
114								
115								
116	609047G1**						SIDE PANEL (DRIVER) (See COLOR CODE in HOW TO USE Section)	1
117	609047G2**						SIDE PANEL (PASSENGER) (See COLOR CODE in HOW TO USE Section)	1
118								
119								
120								
121								
122	00789G2						MACHINE PHILLIPS HEAD SCREW, #10 - 24 X 1 1/4" LG	2
123	23726G4						SPACER, 1/4"	4
124	00660G5						FLAT WASHER (SS), #10	2

When ordering parts, please specify the model and serial number of the product.

* Indicates a component that is not available as an individual part.

*** Indicates consult Customer Service Department for additional information.

ITEM	PART NO.	1 2 3 4 5	DESCRIPTION	QTY.
125	14390G10		LOCK NUT, #10 - 24	2
126	618358		ROCKER PANEL (DRIVER SIDE)	1
127	618359		ROCKER PANEL (PASSENGER SIDE)	1
128				
129	16705G1		PAN HEAD SCREW (SS), 1/4" - 20 X 1" LG	4
130	23726G4		SPACER, 1/4"	4
131				
132	14390G4		LOCK NUT, 1/4" - 20	4
133				
134	646789		HEAVY DUTY BALL HITCH KIT (INCLUDES ITEMS 140, 146 -148)	1
135	646790		ANGLE HITCH KIT (INCLUDES ITEMS 141, 146 -147)	1
136	646791		CLEVIS HITCH KIT (INCLUDES ITEMS 142, 146 -147, 151 - 152)	1
137	646792		DROP ANGLE HITCH KIT (INCLUDES ITEMS 143, 146 - 147)	1
138	646793		DROP BALL HITCH KIT (INCLUDES ITEMS 144, 146 -148)	1
139	646794		DROP CLEVIS HITCH KIT (INCLUDES ITEMS 145 - 147, 151 - 152)	1
140	646730		HEAVY DUTY HITCH	1
141	646729		ANGLE HITCH	1
142	646727		CLEVIS HITCH	1
143	646731		DROP ANGLE HITCH	1
144	646743		DROP BALL HITCH	1
145	646744		DROP CLEVIS HITCH	1
146	21317G1		CLEVIS PIN, 5/8" X 3" LG	1
147	21683G1		COTTER PIN, 15/32" X 2 11/16" LG	1
148	31757G1		HITCH BALL WITH HARDWARE, 1 7/8" (INCLUDES ITEMS 149-150) ..	1
149	00566G6		LOCK WASHER, 3/4"	1
150	00702G11		HEX NUT, 5/16" - 18	1
151	14443G10		CLEVIS PIN, 1/2" X 3" LG	1
152	19314G1		COTTER PIN, 2 1/2" LG	1
153				
154	16816G2		RATCHET FASTENER, 1/4" X 3/4" LG	8
155	74890G01		REAR PANEL	1

BODY

When ordering parts, please specify the model and serial number of the product.

* Indicates a component that is not available as an individual part.

*** Indicates consult Customer Service Department for additional information.

ITEM	PART NO.	1 2 3 4 5	DESCRIPTION	QTY.
156	71055G01		RIVET (ALUMINUM), 3/16" X 1" LG.....	4
157				
158	74891G01		SEAT FILLER PANEL (DRIVER SIDE)	1
159	74891G02		SEAT FILLER PANEL (PASSENGER SIDE)	1
160	10570G10		RIVET (SS), 5/32" X 9/16" LG	6
161				
162	619136		CUSHMAN HAULER 800 LOGO	2
163	74755G01		E-SHIELD DECAL	2
164				
165				
166				
167				
168				
169				
170				
171	605694		SEAT FRAME	1
172	00715G2		HEX HEAD SCREW, 5/16" - 18 X 4/5" LG	2
173	27731G01		ASH TRAY	1
174	27736G01		GASKET	1
175	75108G02		BRACKET.....	1
176	00106G6		PAN HEAD PHILLIPS SCREW, #12 - 14 X .75" LG.....	4
177	74533G01		SWIVEL GUN HOLDER WITH BASE PLATE	1
178	74365G01		GUN HOLDER REMOVABLE FLOOR MOUNT	1
179				
180				
181				
182				
183				
184	15058G6		RIVET (ALUMINUM), 3/16" X 15/16" LG.....	2
185				
186				

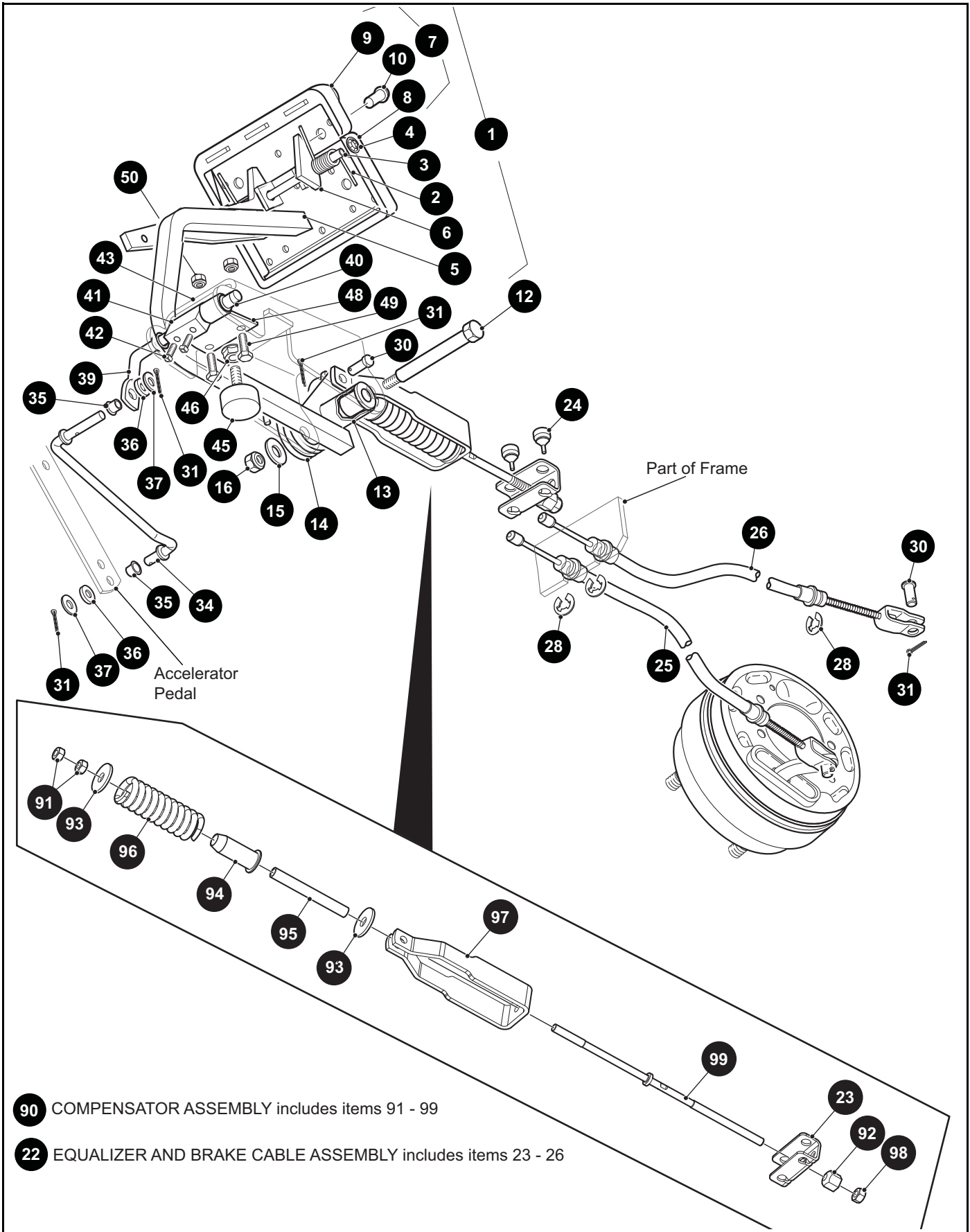
When ordering parts, please specify the model and serial number of the product.

* Indicates a component that is not available as an individual part.

*** Indicates consult Customer Service Department for additional information.

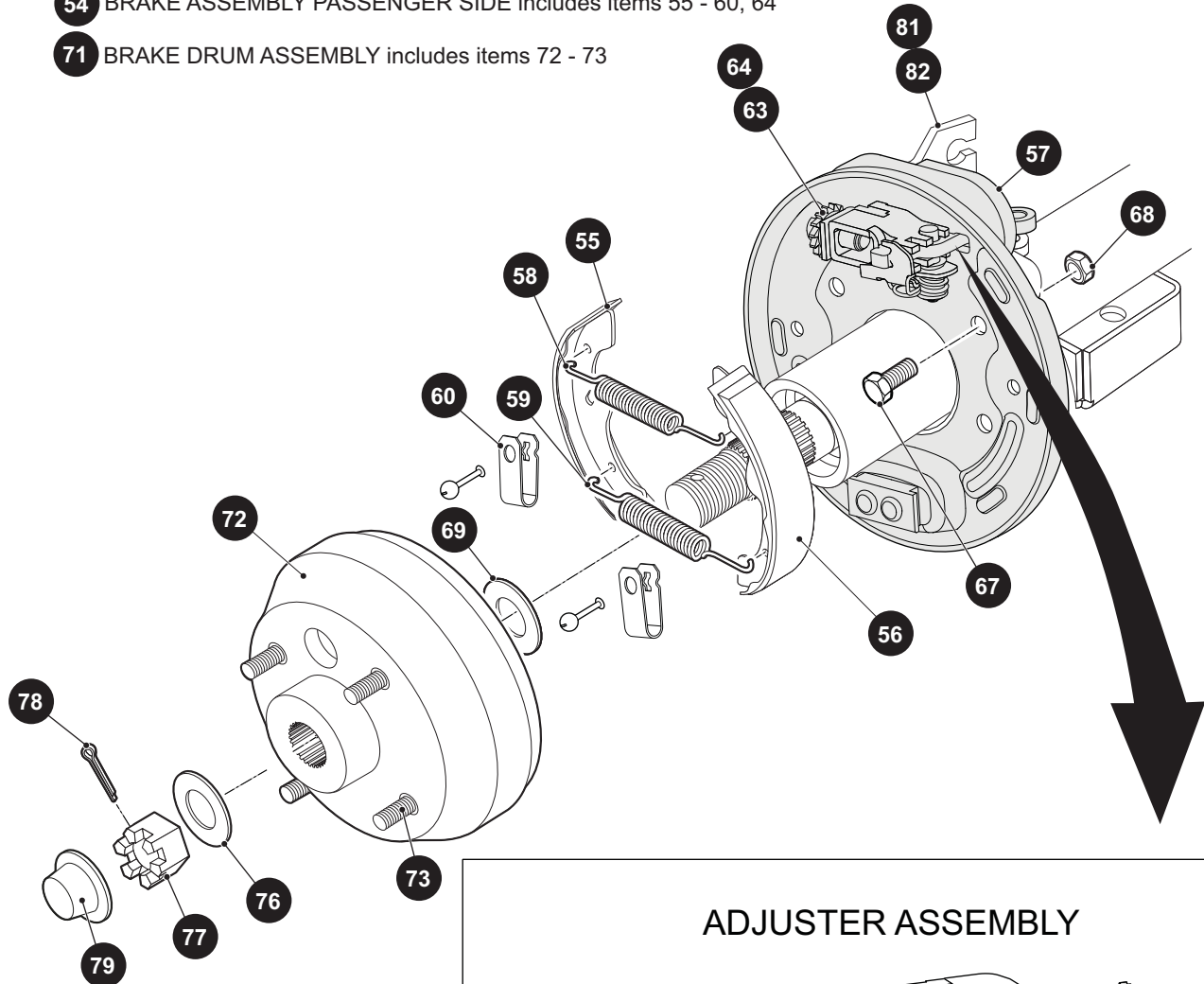
ITEM	PART NO.	1 2 3 4 5	DESCRIPTION	QTY.
187				
188				
189				
190				
191				
192	74892G01		FENDER (DRIVER SIDE)	1
193	74892G02		FENDER (PASSENGER SIDE)	1
194	74892G03		FENDER WITH TAILLIGHT (DRIVER SIDE)	1
195	74892G04		FENDER WITH TAILLIGHT (PASSENGER SIDE)	1
196	16816G2		RATCHET FASTENER, 1/4" X 3/4" LG	10
197	14390G4		LOCK NUT, 1/4" - 20	4
198	00642G7		FLAT WASHER, 1/4"	8
199	00414G6		HEX HEAD BOLT, 1/4" - 20 X 3/4" LG	4
200				
201				
202				
203	662991		ACCELERATOR PEDAL GUARD	1
204	661653		FLOORBOARD MOUNT	1
205	645323		TORX HEAD SCREW, M6 X 1 - 23.4MM LG	3
206	601476		LOCK NUT, M6 - 1	3
207				
208	647080		HITCH RECEIVER	1
209	00198G8		SLOTTED MACHINE FLAT HEAD SCREW, 5/16" - 18 X 1" LG	1
210	00571G2		FLAT WASHER, 5/16"	1
211	11098G6		LOCK NUT (SS), 5/16" - 18	1
212	00463G4		HEX HEAD BOLT, 7/16" - 14 X 1 1/2" LG	4
213	00922G3		FLAT WASHER, 7/16"	4
214	00734G1		LOCK NUT, 7/16" - 14	4
215				
216				
217				

BRAKES

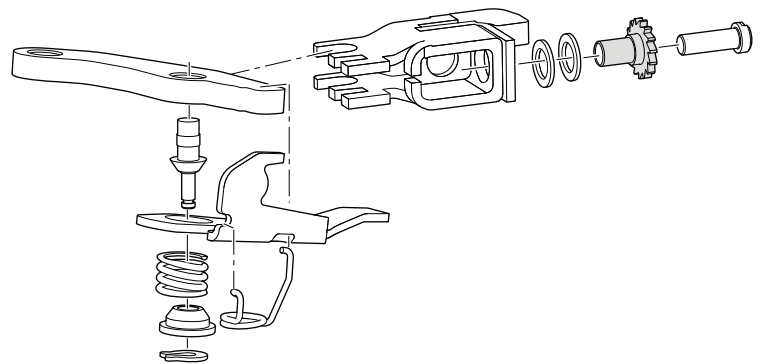


TOP PULL

- 53** BRAKE ASSEMBLY DRIVER SIDE includes items 55 - 60, 63
- 54** BRAKE ASSEMBLY PASSENGER SIDE includes items 55 - 60, 64
- 71** BRAKE DRUM ASSEMBLY includes items 72 - 73

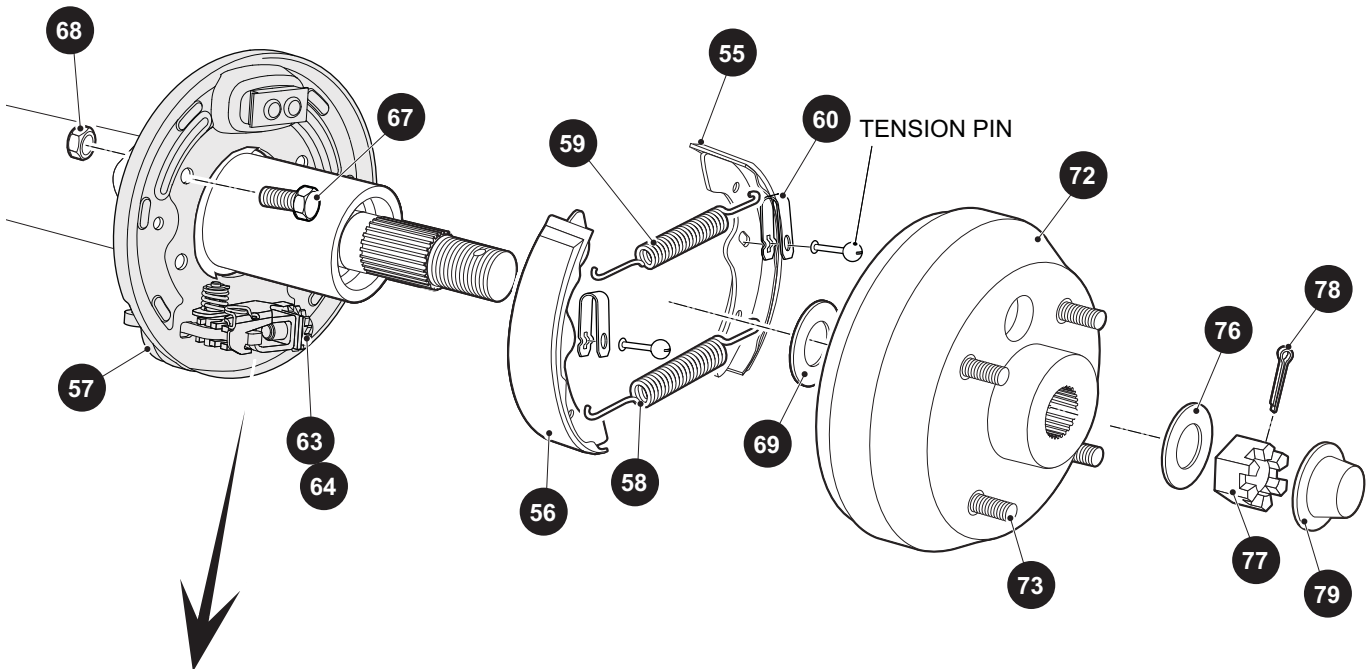


ADJUSTER ASSEMBLY

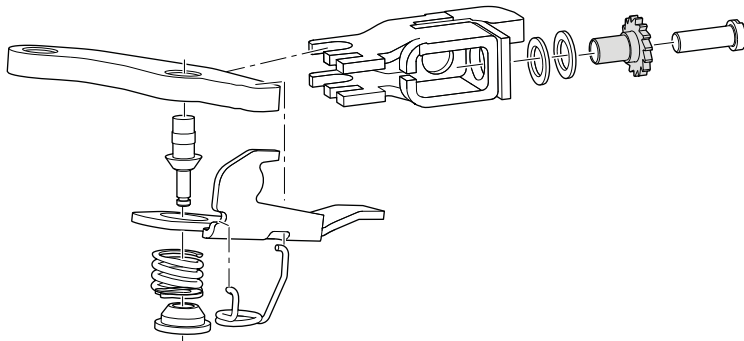


BOTTOM PULL

- 53 BRAKE ASSEMBLY DRIVER SIDE includes items 55 - 60, 63
- 54 BRAKE ASSEMBLY PASSENGER SIDE includes items 55 - 60, 64
- 71 BRAKE DRUM ASSEMBLY includes items 72 - 73



ADJUSTER ASSEMBLY



BRAKES

When ordering parts, please specify the model and serial number of the product.

* Indicates a component that is not available as an individual part.

*** Indicates consult Customer Service Department for additional information.

ITEM	PART NO.	1 2 3 4 5	DESCRIPTION	QTY.
1	70612G02		BRAKE PEDAL ASSEMBLY (WITHOUT BRAKE LIGHTS) (INCLUDES ITEMS 2 - 10)	1
2	70681G01		TORSION SPRING.....	2
3	70682G01		PIVOT PIN.....	1
4	658825		PUSHNUT, 5/16"	1
5	652251G03		BRAKE PEDAL.....	1
6	652253G03		PARK BRAKE PEDAL	1
7				
8	70257G01		SERVICE BRAKE PAD.....	1
9	70256G01		PARK BRAKE PEDAL PAD	1
10	16409G1		OVAL RIVET, 3/16" X 3/8" LG	9
11				
12	70582G01		SHOULDER BOLT, 3/8 - 16 X 4" LG (STAINLESS STEEL)	1
13	70581G01		FLANGED BUSHING.....	2
14	70676G01		TORSION SPRING	1
15	00643G1		FLAT WASHER, 3/8"	1
16	11098G5		LOCK NUT, 3/8 - 16	1
17	12416G2		NYLON WEDGE LOCK CLAMP (NOT ILLUSTRATED)	3
18				
19	17618G1		NYLON CLAMP (NOT ILLUSTRATED)	2
20				
21				
22	624714		EQUALIZER AND BRAKE CABLE ASSEMBLY (INCLUDES ITEMS 23 - 26).	1
23	28082G01		EQUALIZER BRACKET	1
24	28083G01		BRAKE COMPENSATOR BUMPER	2
25	624703		BRAKE CABLE (PASSENGER SIDE)	1
26	624690		BRAKE CABLE (DRIVER SIDE)	1
27				
28	01111G01		RETAINING RING, 13/32" (STAINLESS STEEL)	4
29				
30	10386G3		CLEVIS PIN, 5/16" X 13/16" LG.....	3

BRAKES

When ordering parts, please specify the model and serial number of the product.

* Indicates a component that is not available as an individual part.

*** Indicates consult Customer Service Department for additional information.

ITEM	PART NO.	1 2 3 4 5	DESCRIPTION	QTY.
31	10387G3		COTTER PIN, 3/32" X 3/4" LG	5
32				
33				
34	70601G01		KICK-OFF LINK.....	1
35	17838G1		NYLON BUSHING	2
36	20835G1		TEFLON WASHER, 3/8"	2
37	00559G8		FLAT WASHER, 5/16"	2
38				
39	70098G01		KICK-OFF CAM PIVOT	1
40	10097G6		FLANGED BEARING	2
41	70587G01		KICK-OFF CAM.....	1
42	71215G01		SETSCREW, 1/4 - 20 X 1/2" LG.....	2
43	14134G4		SPACER	1
44				
45	70113G01		ADJUSTABLE BUMPER	1
46	11027G1		LOCK NUT, 5/16 - 18.....	1
47				
48	70080G02		CATCH BRACKET.....	1
49	00414G6		BOLT, 1/4 - 20 X 3/4" LG	2
50	14390G4		LOCK NUT, 1/4 - 20 (STAINLESS STEEL)	2
51				
52				
53	612211		BRAKE ASSEMBLY (DRIVER SIDE) (INCLUDES ITEMS 55 - 60, 63)	1
54	612189		BRAKE ASSEMBLY (PASSENGER SIDE) (INCLUDES ITEMS 55 - 60, 64)	1
55	612411		BRAKE SHOE L.....	2
56	612412		BRAKE SHOE T.....	2
57	612413		DUST COVER.....	2
58	612415		BRAKE SPRING	1
59	612414		BRAKE SPRING	1
60	612416		SHOE CLAMP.....	2
61				

BRAKES

When ordering parts, please specify the model and serial number of the product.

* Indicates a component that is not available as an individual part.

*** Indicates consult Customer Service Department for additional information.

ITEM	PART NO.	1 2 3 4 5	DESCRIPTION	QTY.
62				
63	612418		GEAR ADJUSTER.....	1
64	612417		GEAR ADJUSTER	1
65				
66				
67	17083G2		BOLT, 5/16 - 24 X 1" LG.....	8
68	15126G1		LOCK NUT, 5/16 - 24	8
69	21809G1		INNER BRAKE DRUM WASHER, 1 5/16" OD X 1" ID X 1/32".....	2
70				
71	21807G2		BRAKE DRUM ASSEMBLY (INCLUDES ITEMS 72 - 73)	2
72	*		BRAKE DRUM.....	1
73	19862G2		LUG BOLT, 1/2 - 20 X 1 3/16" LG	4
74				
75				
76	606945		OUTER BRAKE DRUM WASHER.....	2
77	606403		SLOTTED NUT, M22 X 1.5	2
78	10387G1		COTTER PIN, 1/8" X 1 1/2" LG.....	2
79	74175G01		SPINDLE CAP	2
80				
81	652248		BRAKE CABLE BRACKET (PASSENGER SIDE)	1
82	652249		BRAKE CABLE BRACKET (DRIVER SIDE).....	1
83				
84				
85				
86				
87				
88				
89				
90	612558		COMPENSATOR ASSEMBLY (INCLUDES ITEMS 91 - 99).....	1
91	00532G4		HEX NUT.....	2
92	629486		HEX NUT, 5/16 - 24	1

BRAKES

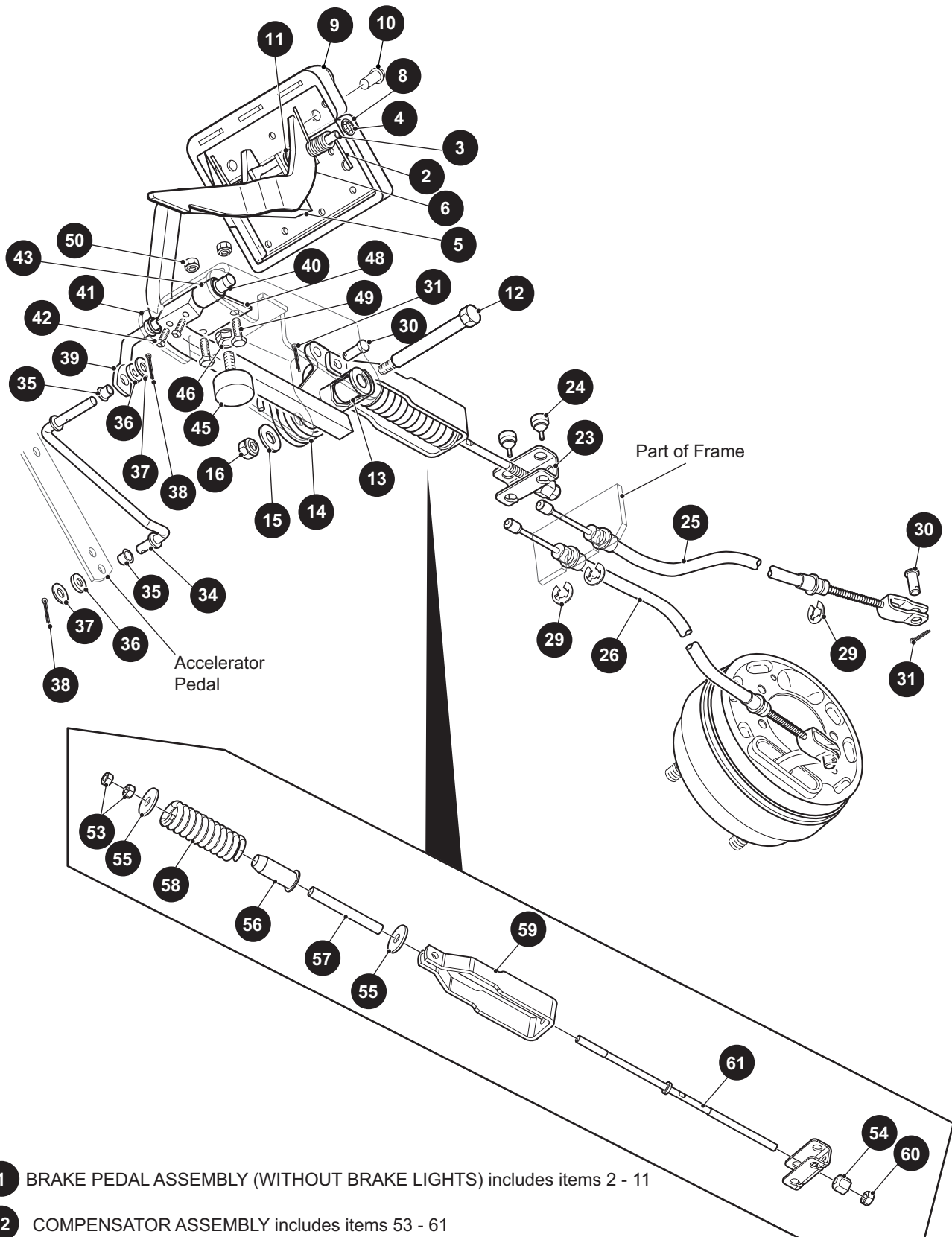
When ordering parts, please specify the model and serial number of the product.

* Indicates a component that is not available as an individual part.

*** Indicates consult Customer Service Department for additional information.

ITEM	PART NO.	1	2	3	4	5	DESCRIPTION	QTY.
93	15121G1						FLAT WASHER - 5/16.....	2
94	17979G1						ACCELERATOR ROD BUSHING	1
95	23061G2						TUBE.....	1
96	23463G1						COMPRESSION SPRING	1
97	652256						BRAKE YOKE	1
98	11098G9						HEX LOCK NUT, 5/16 - 24.....	1
99	612557						COMPENSATOR LINK ROD	1

BRAKES - FRONT DISC



1 BRAKE PEDAL ASSEMBLY (WITHOUT BRAKE LIGHTS) includes items 2 - 11

52 COMPENSATOR ASSEMBLY includes items 53 - 61

BRAKES - FRONT DISC

When ordering parts, please specify the model and serial number of the product.

* Indicates a component that is not available as an individual part.

*** Indicates consult Customer Service Department for additional information.

ITEM	PART NO.	1 2 3 4 5	DESCRIPTION	QTY.
1	74723G01		BRAKE PEDAL ASSEMBLY (WITHOUT BRAKE LIGHTS) (INCLUDES ITEMS 2 -11).....	1
2	70681G01		TORSION SPRING.....	2
3	70682G01		PARKING BRAKE PEDAL PIN.....	1
4	658825		PUSHNUT, 5/16"	2
5	652251G03		BRAKE PEDAL.....	1
6	641760		PARK BRAKE PEDAL	1
7				
8	70257G01		BRAKE PAD	1
9	70256G01		PARK BRAKE PEDAL PAD	1
10	15766G1		OVAL RIVET, 3/16" X 15/32" LG	9
11	20835G1		NYLON WASHER, 3/8"	2
12	70582G01		SHOULDER BOLT, 3/8" - 16 X 4" LG	1
13	70581G01		FLANGED BUSHING.....	2
14	70676G01		TORSION SPRING	1
15	00643G1		LOCK WASHER, 3/8"	1
16	11098G5		LOCK NUT, 3/8" - 16.....	1
17				
18	01038G01		SWAGEFORM SCREW, 1/4" - 20 (NOT ILLUSTRATED).....	1
19	12416G2		NYLON WEDGE LOCK CLAMP (NOT ILLUSTRATED).....	A/R
20				
21				
22				
23	28082G01		EQUALIZER BRACKET	1
24	28083G01		BRAKE COMPENSATOR BUMPER.....	2
25	624690		BRAKE CABLE (DRIVER SIDE).....	1
26	624703		BRAKE CABLE (PASSENGER SIDE)	1
27				
28				
29	01111G01		RETAINING RING (SS).....	4
30	10386G3		CLEVIS PIN, 5/16" X 1"	2

BRAKES - FRONT DISC

When ordering parts, please specify the model and serial number of the product.

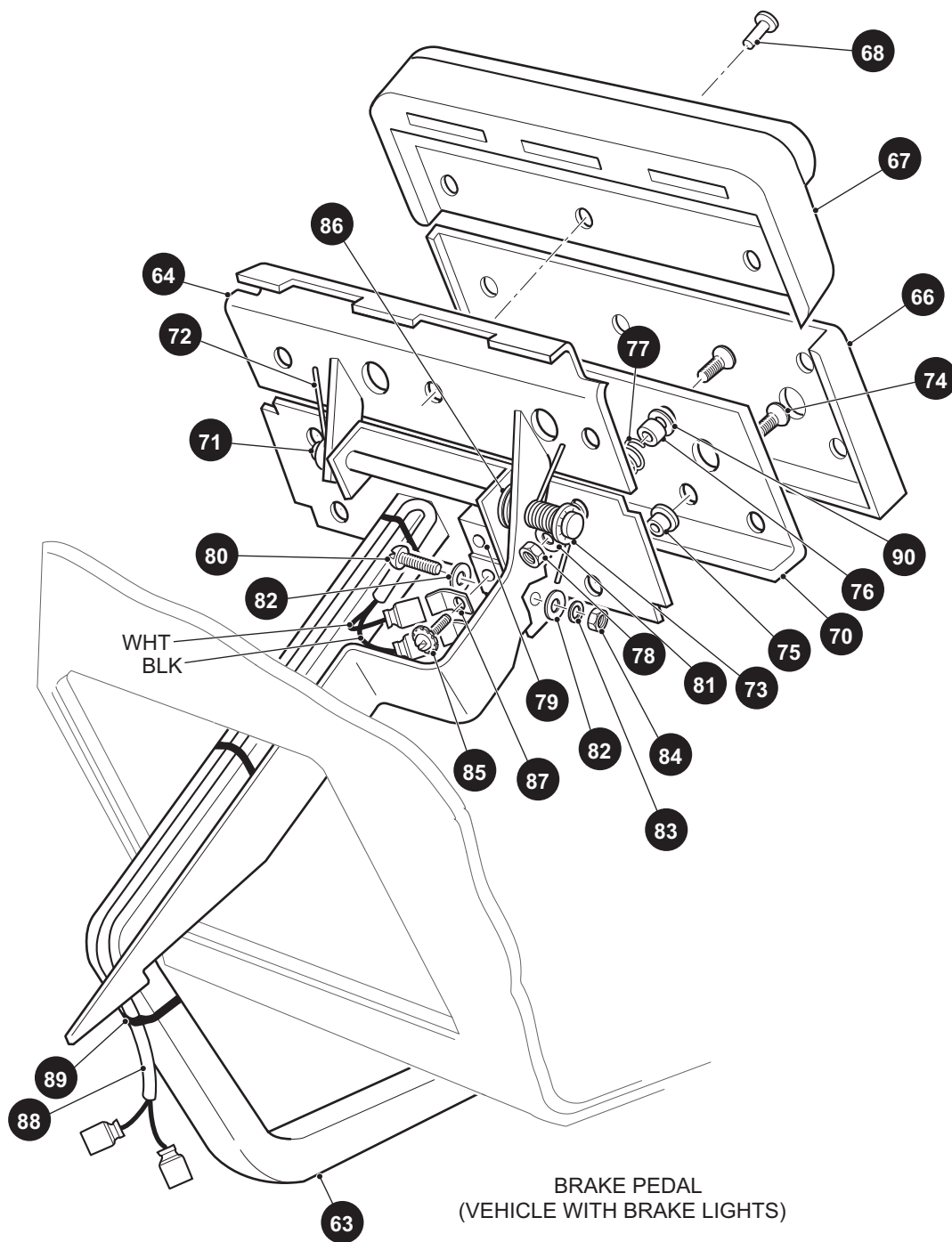
* Indicates a component that is not available as an individual part.

*** Indicates consult Customer Service Department for additional information.

ITEM	PART NO.	1	2	3	4	5	DESCRIPTION	QTY.
31	10387G3						COTTER PIN, 3/32" X 3/4"	2
32								
33								
34	70601G01						KICK-OFF LINK.....	1
35	17838G1						NYLON BUSHING	2
36	20835G1						TEFLON WASHER, 3/8"	2
37	00559G8						FLAT WASHER, 5/16"	2
38	10387G3						COTTER PIN, 3/32" X 3/4"	2
39	70098G01						KICK-OFF CAM PIVOT	1
40	10097G6						FLANGED BEARING	2
41	70587G01						KICK-OFF CAM.....	1
42	71215G01						SET SCREW WITH PATCHLOCK, 1/4" - 20 X 1/2" LG.....	2
43	14134G4						SPACER, 1.25"	1
44								
45	70113G01						ADJUSTABLE BUMPER	1
46	11027G1						LOCK NUT, 5/16" - 18	1
47								
48	70080G02						CATCH BRACKET.....	1
49	00414G6						HEX HEAD BOLT, 1/4" - 20 X 1/2" LG.....	2
50	14390G4						LOCK NUT, 1/4" - 20"	2
51								
52	612558						COMPENSATOR ASSEMBLY (INCLUDES ITEMS 53 - 61)	1
53	00532G4						HEX NUT, 1/4" - 20	2
54	629486						HEX NUT, 5/16" - 24	1
55	15121G1						FLAT WASHER, 5/16".....	2
56	17979G1						ACCELERATOR ROD BUSHING	1
57	23061G2						TUBE.....	1
58	23463G1						COMPRESSION SPRING	1
59	652256						BRAKE YOKE	1
60	11098G9						HEX LOCK NUT, 5/16" - 24	1
61	612557						COMPENSATOR LINK ROD	1

BRAKES - FRONT DISC

62 BRAKE PEDAL ASSEMBLY (WITH BRAKE LIGHT) includes items 63 - 90



BRAKES - FRONT DISC

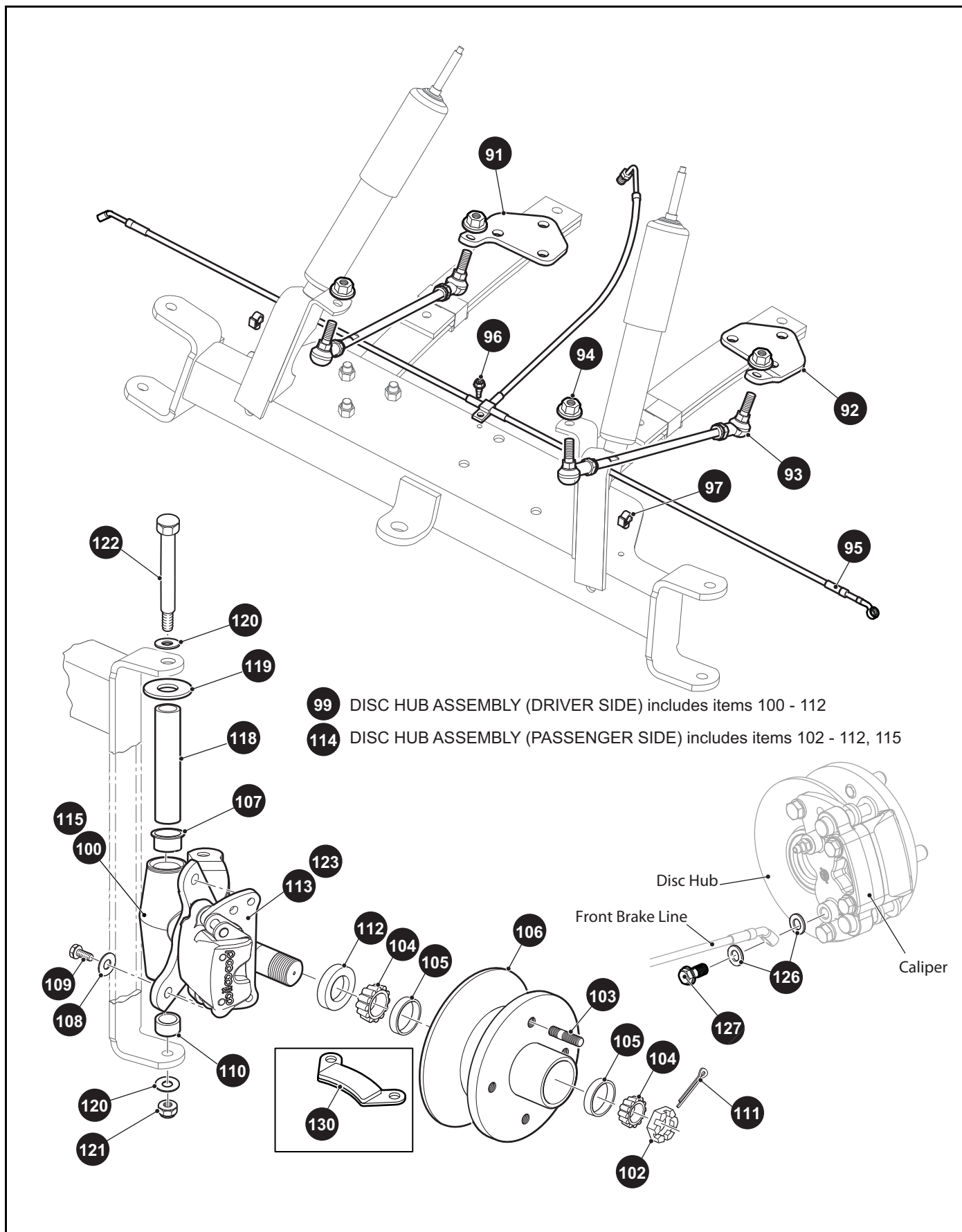
When ordering parts, please specify the model and serial number of the product.

* Indicates a component that is not available as an individual part.

*** Indicates consult Customer Service Department for additional information.

ITEM	PART NO.	1 2 3 4 5	DESCRIPTION	QTY.
62	74874G01		BRAKE PEDAL ASSEMBLY (WITH BRAKE LIGHTS) (INCLUDES ITEMS 63 - 90)	1
63	74870G01		BRAKE PEDAL.....	1
64	641760		PARK BRAKE PEDAL	1
65				
66	70257G01		BRAKE PAD	1
67	70256G01		PARK BRAKE PAD.....	1
68	15766G1		OVAL RIVET, 3/16" X 15/32" LG	9
69	18659G1		LOCTITE (262) (NOT ILLUSTRATED).....	A/R
70	70258G03		BRAKE PEDAL PLATE.....	1
71	70682G01		PARKING BRAKE PEDAL PIN.....	1
72	70681G01		TORSION SPRING.....	2
73	658825		PUSHNUT, 5/16"	1
74	00737G8		FLAT HEAD PHILLIPS SCREW, #10 - 24 X 1" LG.....	4
75	00739G1		RUBBER NUT, #10 - 24	2
76	652355		BRAKE PEDAL SPACER	2
77	27137G01		CONICAL SPRING	2
78	14390G10		LOCK NUT, #10 - 24.....	2
79	10606G8		LIMIT SWITCH (3 POLE)	1
80	00957G1		HEX HEAD CAP SCREW, #6 - 32 X 1 1/4" LG	2
81	00559G5		FLAT WASHER, #10	2
82	00559G3		FLAT WASHER, #6	4
83	00565G3		LOCK WASHER, #6	2
84	00525G5		HEX NUT, #6 - 32	2
85	13514G1		BRASS LIMIT SWITCH SCREW, #6 - 32 X 7/32" LG	2
86	20835G1		NYLON WASHER, 3/8"	2
87	14628G1		FASTON TAB.....	2
88	24605G1		WIRE HARNESS (BRAKE LIGHT).....	1
89	17618G1		WIRE TIE.....	3
90	00642G8		FLAT WASHER, 5/16"	2

BRAKES - FRONT DISC



BRAKES - FRONT DISC

When ordering parts, please specify the model and serial number of the product.

* Indicates a component that is not available as an individual part.

*** Indicates consult Customer Service Department for additional information.

ITEM	PART NO.	1 2 3 4 5	DESCRIPTION	QTY.
91	74731G02		SPRING PLATE (PASSENGER SIDE)	1
92	74731G01		SPRING PLATE (DRIVER SIDE).....	1
93	74730G01		FOUR LINK ROD.....	2
94	606279		HEX NUT, M10 - 1.25.....	4
95	630766		BRAKE LINE	1
96	01038G01		SWAGEFORM SCREW, 1/4" - 20 X 1/2" LG	1
97	74875G01		WIRE RETAINER.....	2
98				
99	602281		SPINDLE, CALIPER AND DISC HUB ASSEMBLY (DRIVER SIDE) (INCLUDES ITEMS 100 - 112).....	1
100	602176		DISC BRAKE SPINDLE (DRIVER SIDE)	1
101				
102	12093G1		SLOTTED NUT, 17/32"	1
103	74864G01		DRIVE FLANGE STUD	4
104	11750G2		ROLLER BEARING	2
105	51141G1		BEARING RACE	2
106	630672		DISC BRAKE HUB	1
107	70648G01		FLANGED BEARING	1
108	00566G1		FLAT WASHER, 3/8"	2
109	00426G8		HEX HEAD BOLT, 3/8" - 16 X 1" LG.....	2
110	70749G01		BEARING	1
111	00798G8		COTTER PIN, 5/32" X 1 3/4"	1
112	25146G1		GREASE SEAL.....	1
113	633918G02		CALIPER (DRIVER SIDE)	1
114	602288		SPINDLE, CALIPER AND DISC HUB ASSEMBLY (PASSENGER SIDE) (INCLUDES ITEMS 102 - 112, 115).....	1
115	602158		DISC BRAKE SPINDLE (PASSENGER SIDE).....	1
116				
117				
118	70745G01		KINGPIN TUBE.....	2
119	70754G01		THRUST WASHER, .995" I.D. X 1.38" O.D.	2

BRAKES - FRONT DISC

When ordering parts, please specify the model and serial number of the product.

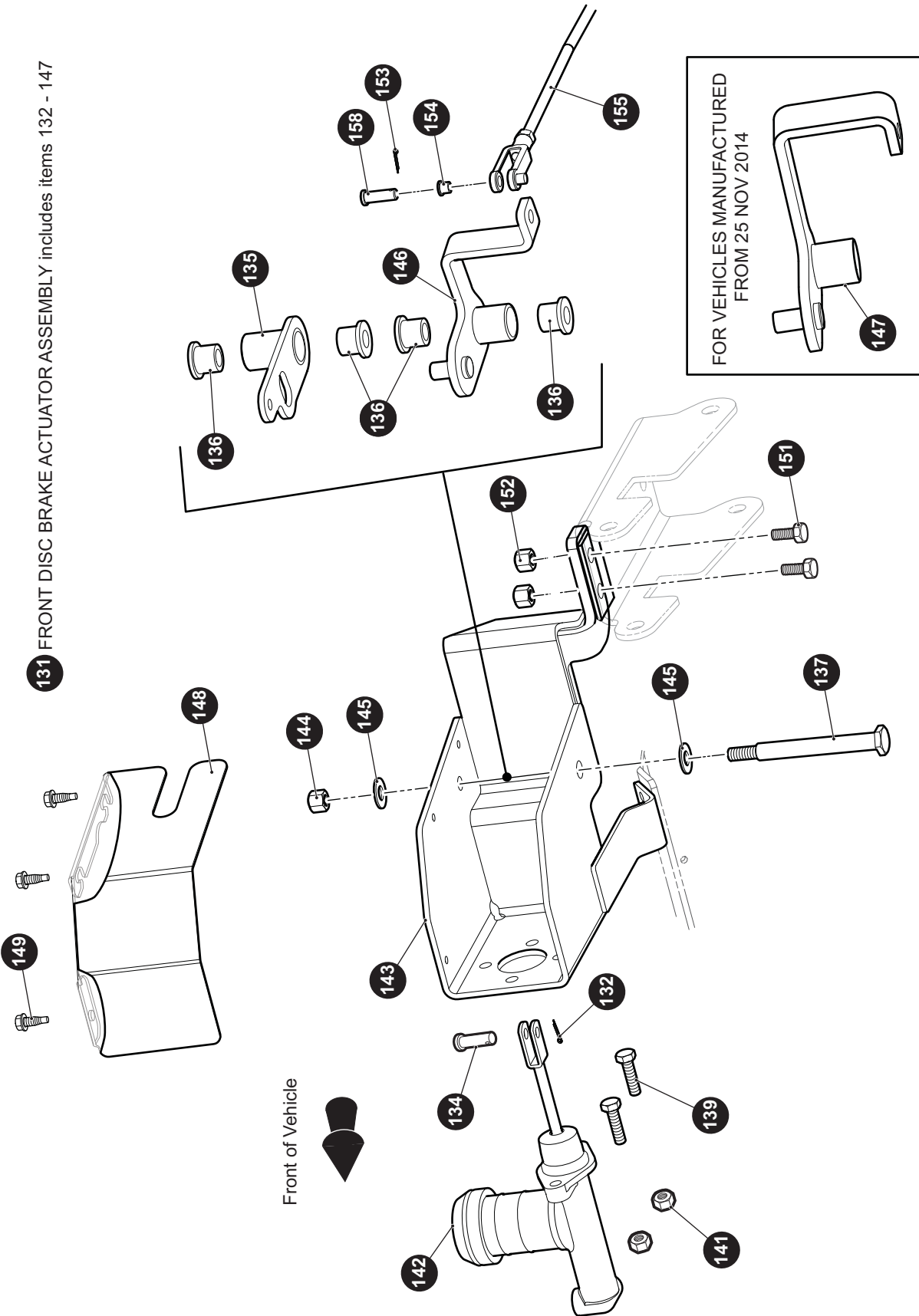
* Indicates a component that is not available as an individual part.

*** Indicates consult Customer Service Department for additional information.

ITEM	PART NO.	1 2 3 4 5	DESCRIPTION	QTY.
120	00560G3		LOCK WASHER, 1/2"	4
121	14390G6		LOCK NUT, 1/2" - 13	2
122	00407G6		HEX HEAD BOLT, 1/2" - 13 X 6" LG.....	2
123	633918G01		CALIPER (PASSENGER SIDE)	1
124				
125				
126	613293		CRUSH WASHER, M10	4
127	616459		BANJO BOLT, M10 - 1" X 20" LG	2
128				
129				
130	649167		BRAKE PAD	2

BRAKES - FRONT DISC

131 FRONT DISC BRAKE ACTUATOR ASSEMBLY includes items 132 - 147



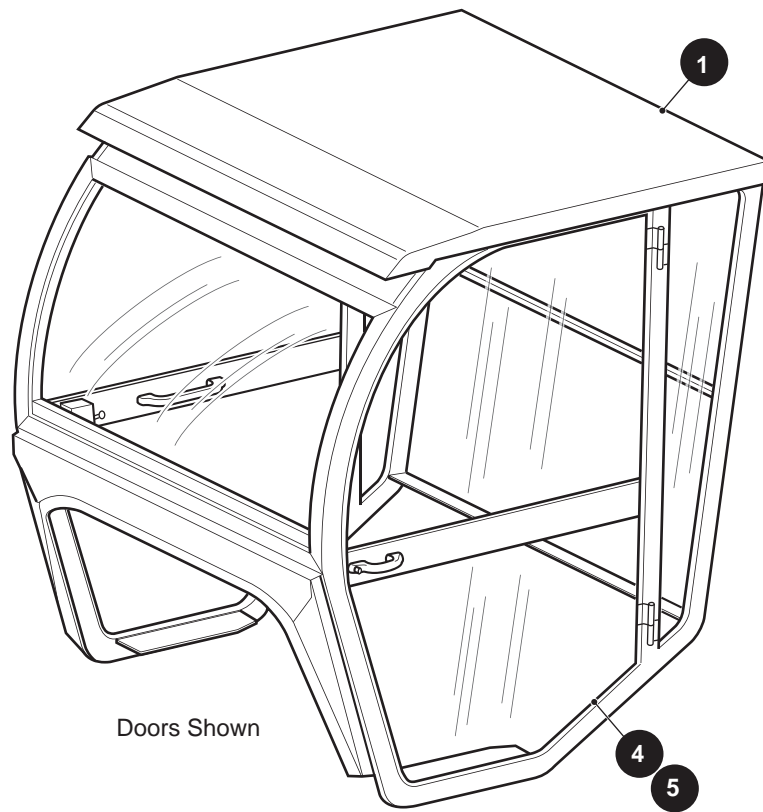
BRAKES - FRONT DISC

When ordering parts, please specify the model and serial number of the product.

* Indicates a component that is not available as an individual part.

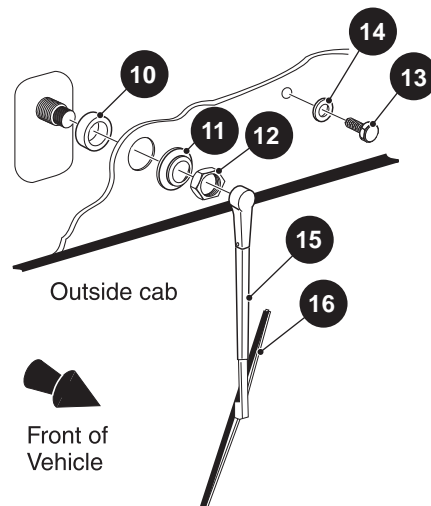
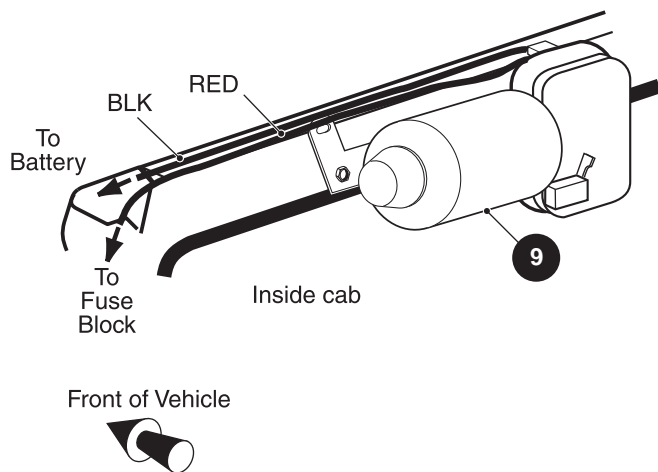
*** Indicates consult Customer Service Department for additional information.

ITEM	PART NO.	1 2 3 4 5	DESCRIPTION	QTY.
131	608706		FRONT DISC BRAKE BRAKE ACTUATOR ASSEMBLY (INCLUDES ITEMS 132 - 147)	1
132	10387G3		COTTER PIN, 3/32" X 3/4" LG	1
133				
134	10386G3		CLEVIS PIN, 5/16" X 1"	1
135	608122		UPPER ACTUATOR PIVOT	1
136	70581G02		ACETAL BUSHING.....	4
137	74711G01		ACTUATOR PIVOT BOLT, 3/4" - 16 X 3/4" LG	1
138				
139	00439G1		HEX HEAD BOLT, 1/2" - 13 X 6" LG.....	2
140				
141	11098G6		LOCK NUT, 5/16" - 18	2
142	887364		MASTER CYLINDER	1
143	612706		MASTER CYLINDER WELDMENT MOUNT.....	1
144	11098G5		LOCK NUT, 3/8" - 16	1
145	00679G1		LOCK WASHER (SS), 3/8".....	2
146	608118		LOWER ACTUATOR PIVOT (FOR VEHICLES MANUFACTURED BEFORE 25 NOV 2014).....	1
147	641826		LOWER ACTUATOR PIVOT (FOR VEHICLES MANUFACTURED FROM 25 NOV 2014).....	1
148	612704		ACTUATOR ASSEMBLY COVER	1
149	01038G01		SWAGEFORM SCREW, 1/4" - 20 X 1/2" LG	3
150				
151	00414G6		HEX HEAD BOLT, 1/4" - 20 X 1/2" LG	4
152	14390G4		LOCK NUT, 1/4" - 20.....	4
153	10387G3		COTTER PIN, .094" X .75"	2
154	17838G1		NYLON BUSHING	2
155	608943		ACTUATOR LINKAGE	1
156	00771G5		FLAT WASHER, 3/8" (NOT ILLUSTRATED).....	1
157	21504G1		BRAKE FLUID (NOT ILLUSTRATED)	A/R
158	10386G3		CLEVIS PIN, 5/16" X 1"	2

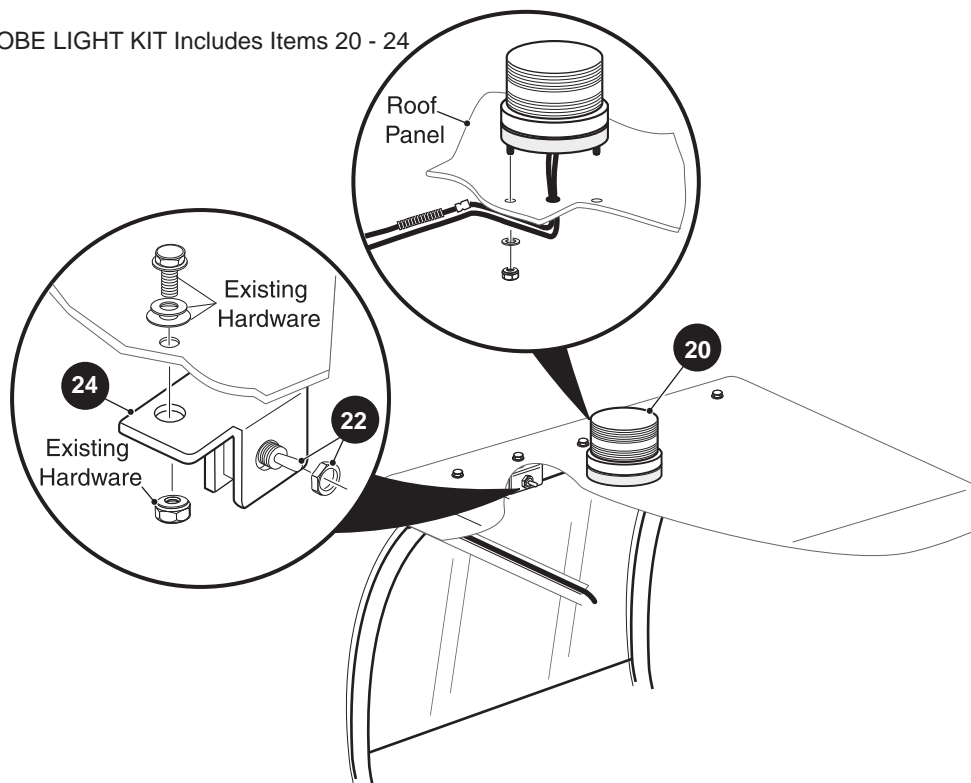


Doors Shown

8 WINDSHIELD WIPER KIT Includes Items 9 - 17

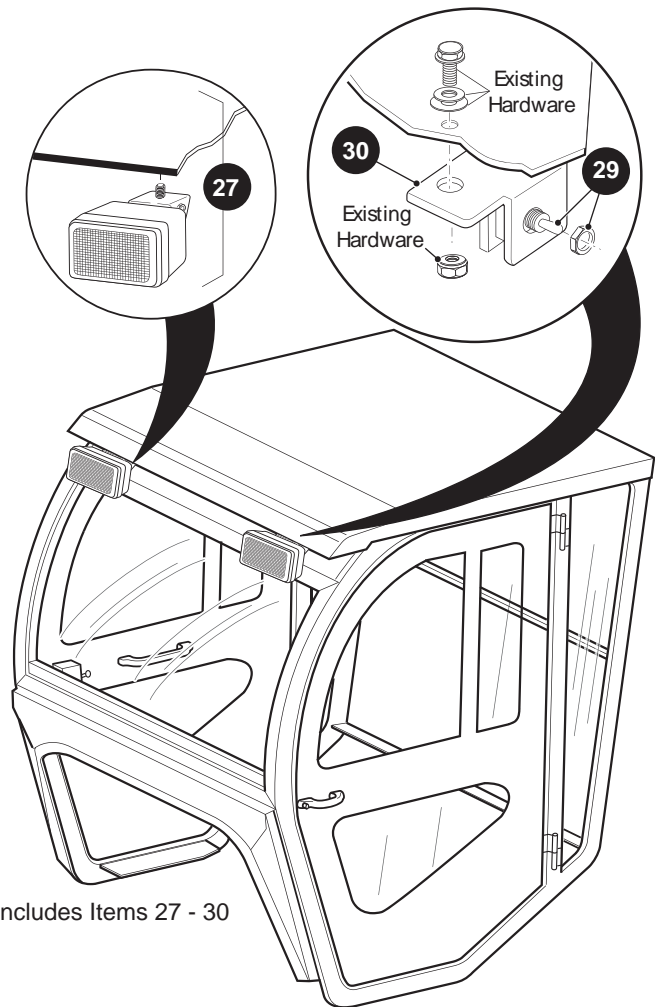
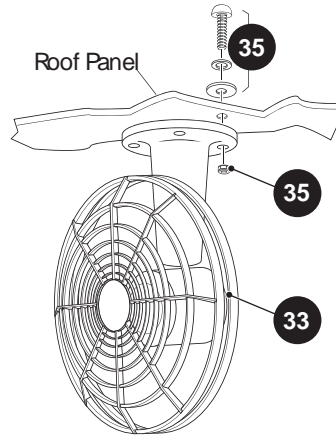
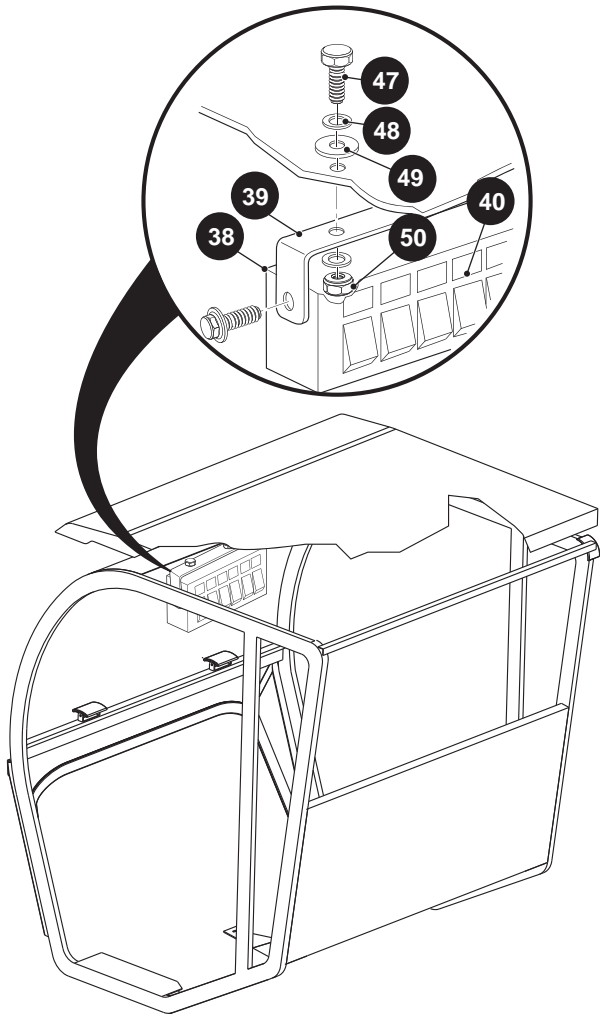


19 STROBE LIGHT KIT Includes Items 20 - 24



37 SWITCH PANEL KIT Includes Items 38 - 52

32 DEFROSTER / COOLING FAN KIT Includes Items 33 - 35



26 WORK LIGHT KIT Includes Items 27 - 30

When ordering parts, please specify the model and serial number of the product.

* Indicates a component that is not available as an individual part.

*** Indicates consult Customer Service Department for additional information.

ITEM	PART NO.	1 2 3 4 5	DESCRIPTION	QTY.
1	72684G**		STEEL CAB (WITHOUT DOORS) REPACEMENT PARTS AND ACCESSORIES MAY BE OBTAINED FROM CURTIS CAB, INC.)	1
2				
3				
4	75856G**		STEEL DOOR KIT	1
5	75855G01		VINYL DOOR SET, TAN	1
6				
7				
8	74244G01		WINDSHIELD WIPER KIT (INCLUDES ITEMS 9 -17)	1
9	9PWM85		WIPER MOTOR (INCLUDES ITEMS 10 - 14).....	1
10	*		SPACER.....	1
11	*		SHAFT COVER (SEAL).....	1
12	*		NUT.....	1
13	*		BOLT.....	1
14	*		WASHER	1
15	9PWA		WIPER ARM.....	1
16	9PWB		WINDSHIELD WIPER BLADE	1
17	9E003		ELECTRICAL HARDWARE KIT (NOT ILLUSTRATED).....	1
18				
19	74245G01		STROBE LIGHT KIT (INCLUDES ITEMS 20 - 24)	1
20	9PSLRL		STROBE LENS	1
21	9E001		ELECTRICAL HARDWARE KIT (NOT ILLUSTRATED).....	1
22	9E002		TOGGLE SWITCH.....	1
23	9PSLRB		REPLACEMENT BULB (NOT ILLUSTRATED).....	1
24	9PB001		BRACKET.....	1
25				
26	74247G01		WORK LIGHT KIT (INCLUDES ITEMS 27 - 30).....	1
27	9LW1A		WORK LIGHT (INCLUDES HARDWARE)	2
28	9E001		ELECTRICAL HARDWARE KIT (NOT ILLUSTRATED).....	1
29	9E002		TOGGLE SWITCH.....	1
30	9PB001		BRACKET.....	1

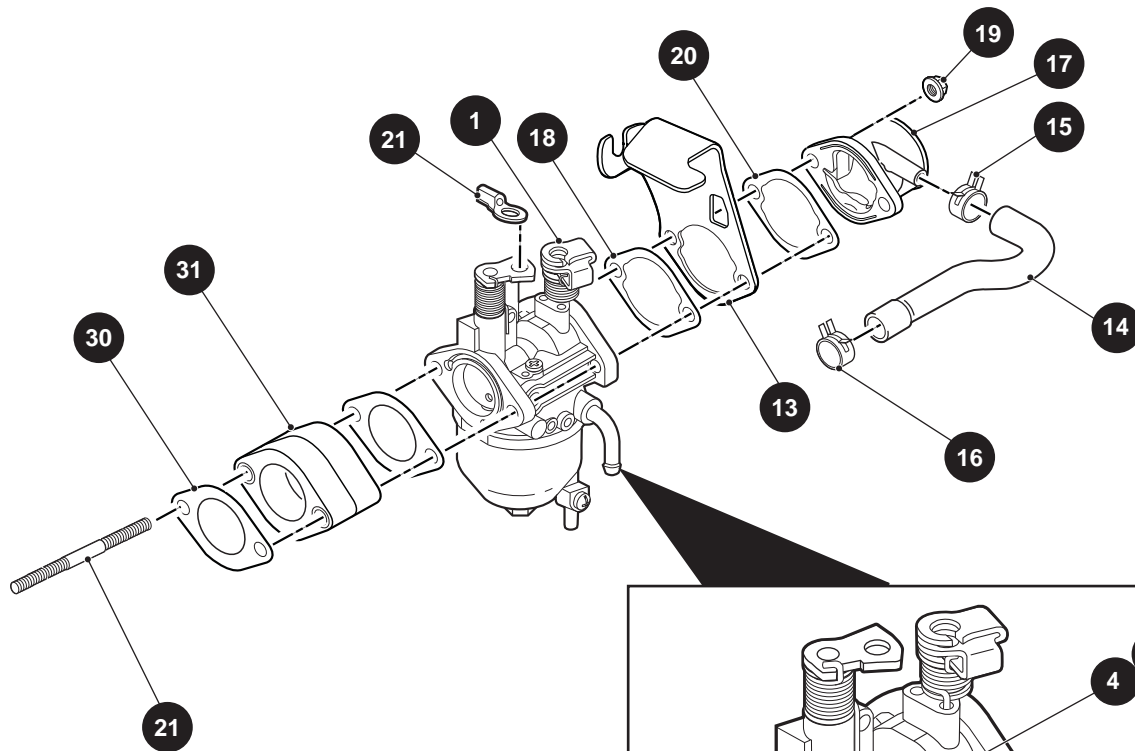
When ordering parts, please specify the model and serial number of the product.

* Indicates a component that is not available as an individual part.

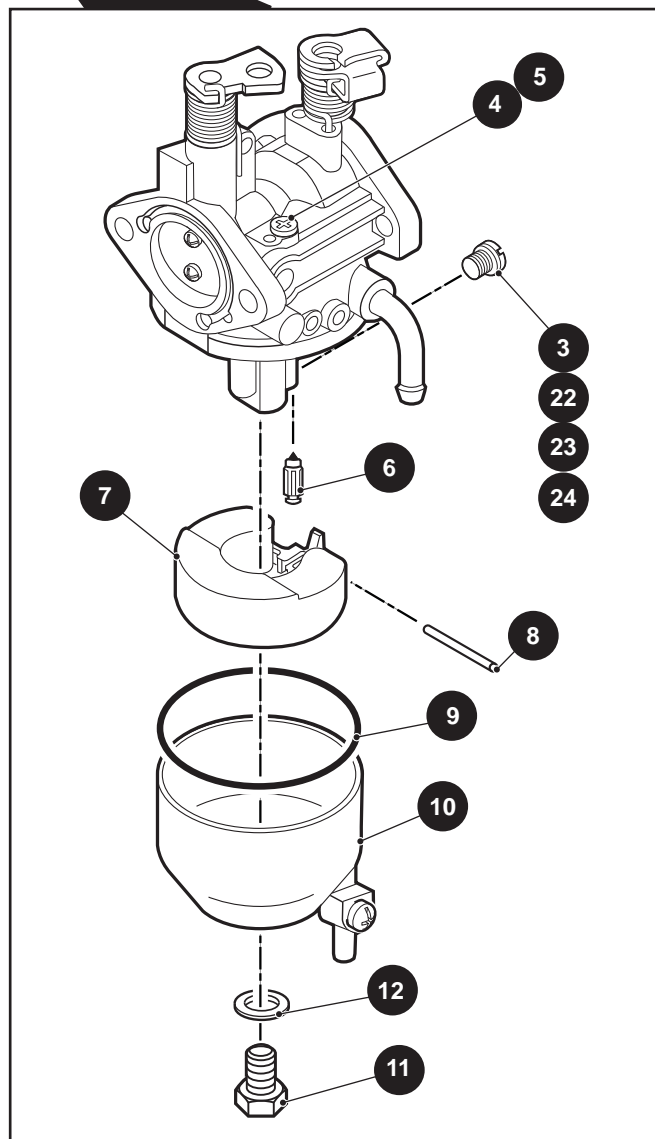
*** Indicates consult Customer Service Department for additional information.

ITEM	PART NO.	1	2	3	4	5	DESCRIPTION	QTY.
31								
32	74248G01						DEFROSTER / COOLING FAN KIT (INCLUDES ITEMS 33 - 35)	1
33	9PDF						FAN	1
34	9E001						ELECTRICAL HARDWARE KIT (NOT ILLUSTRATED)	1
35	9PFHK						HARDWARE KIT.....	1
36								
37	74250G01						SWITCH PANEL KIT (INCLUDES ITEMS 38 - 52)	1
38	9PSF1001						SWITCH PANEL	1
39	9PSF1002						MOUNTING BRACKET AND HARDWARE	1
40	9PSF1003						ADHESIVE LABELS	1
41	9PSF1004						3 AMP FUSE (NOT ILLUSTRATED).....	2
42	9PSF1005						5 AMP FUSE (NOT ILLUSTRATED).....	3
43	9PSF1006						7.5 AMP FUSE (NOT ILLUSTRATED).....	1
44	9PSF1007						FLEX LOOM, 5/8" X 10 FT LG (NOT ILLUSTRATED).....	1
45	9PSF1008						4-WAY BASE TIE (NOT ILLUSTRATED).....	6
46	9PSF1009						WIRE TIE (NOT ILLUSTRATED).....	14
47	9PSF1010						BOLT, 1/4 - 20 X 7/8" LG.....	2
48	9PSF1011						WASHER, 1/4"	4
49	9PSF1012						NYLON WASHER, 1/4".....	2
50	9PSF1013						LOCK NUT, 1/4 - 20	2
51	9PSF1014						10 GA WIRE (RED 8") (NOT ILLUSTRATED)	1
52	9PSF1015						10 GA WIRE (BLACK 8") (NOT ILLUSTRATED).....	1

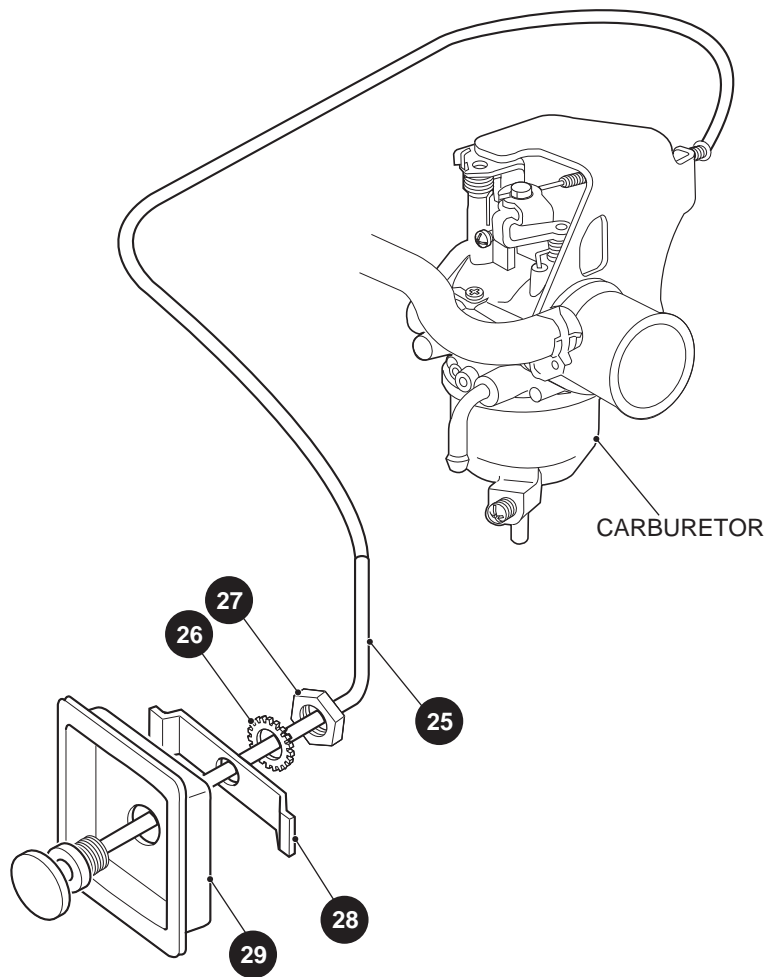
CARBURETOR AND CHOKE



1 CARBURETOR Includes Items 3 - 22



CARBURETOR AND CHOKE



CARBURETOR AND CHOKE

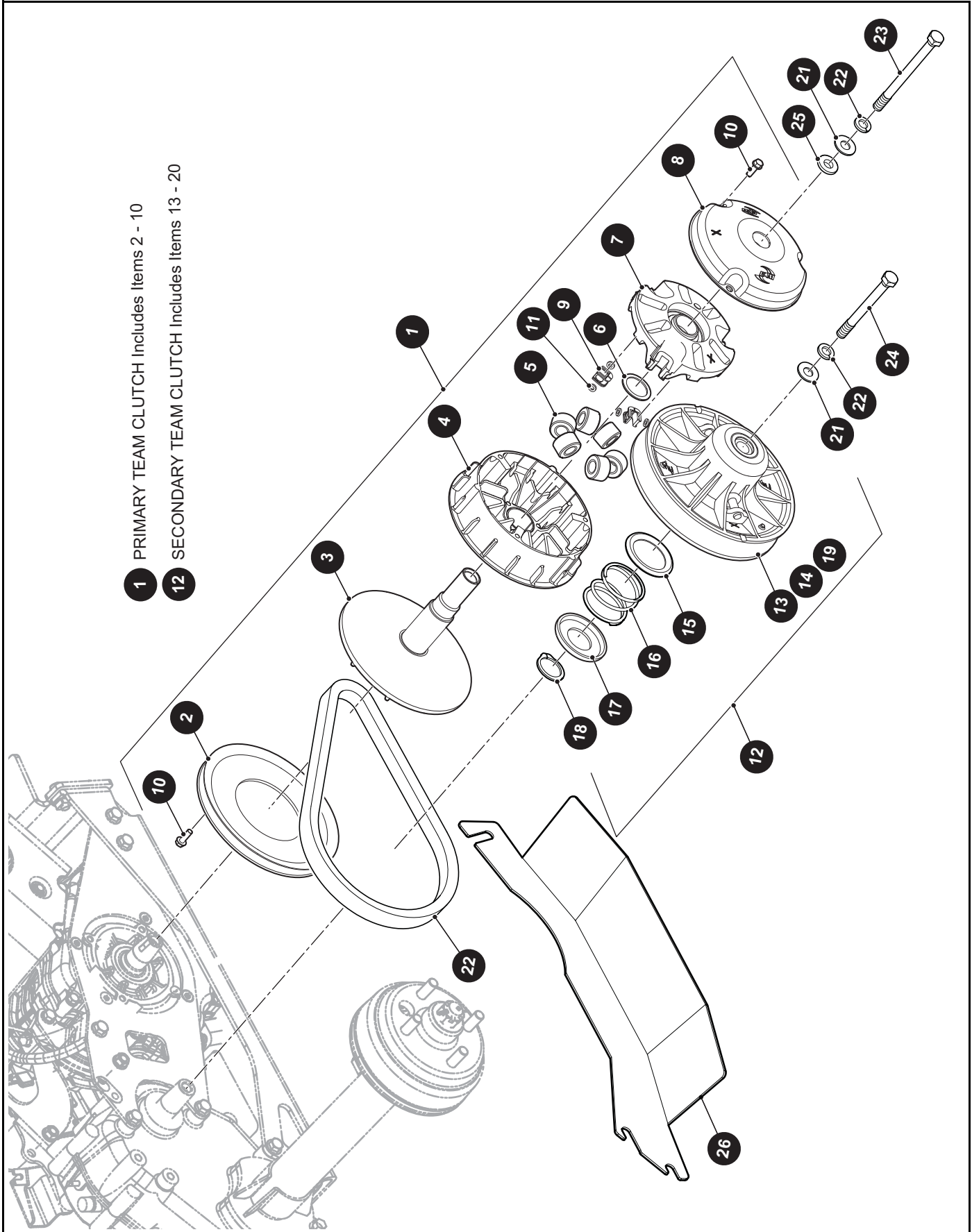
When ordering parts, please specify the model and serial number of the product.

* Indicates a component that is not available as an individual part.

*** Indicates consult Customer Service Department for additional information.

ITEM	PART NO.	1	2	3	4	5	DESCRIPTION	QTY.
1	607955						CARBURETOR (INCLUDES ITEMS 3 - 22).....	1
2								
3	607683						MAIN JET (#104)	1
4	607021						PILOT JET (#44).....	1
5	603585						PLUG	1
6	603586						NEEDLE VALVE.....	1
7	603587						FLOAT.....	1
8	603588						FLOAT PIN.....	1
9	603589						FLOAT BOWL GASKET.....	1
10	603590						FLOAT CHAMBER.....	1
11	603592						BOWL SCREW	1
12	603591						BOWL GASKET	1
13	603583						CHOKE BRACKET	1
14	603598						BREATHER TUBE	1
15	603596						CLAMP, INTAKE TUBE.....	1
16	603597						CLAMP CYLINDER HEAD TUBE.....	1
17	603594						INTAKE TUBE.....	1
18	603593						CHOKE GASKET.....	2
19	603595						NUT, M6 X 1.0.....	2
20	608023						THROTTLE ROD ATTACHMENT BUSHING.....	1
21	603584						STUD BOLT, 6 x 105.....	2
22	607389						MAIN JET (#102) (FOR ELEVATIONS OF 3000 FT UPWARDS).....	1
23	607684						MAIN JET (#102) (FOR ELEVATIONS OF 6000 FT - 10000 FT).....	1
24	607983						MAIN JET (#104) (FOR ELEVATIONS OF 3000 FT - 6000 FT).....	1
25	605868						CHOKE CABLE (SWB)	1
26	00568G4						LOCK WASHER, 9/16"	1
27	00545G4						JAM NUT, 9/16 - 18	1
28	72155G01						RETAINER.....	1
29	72154G01						CHOKE CABLE ADAPTER.....	1
30	603580						CARBURETOR MOUNT GASKET.....	2
31	603580						CARBURETOR INSULATOR	1

CLUTCH



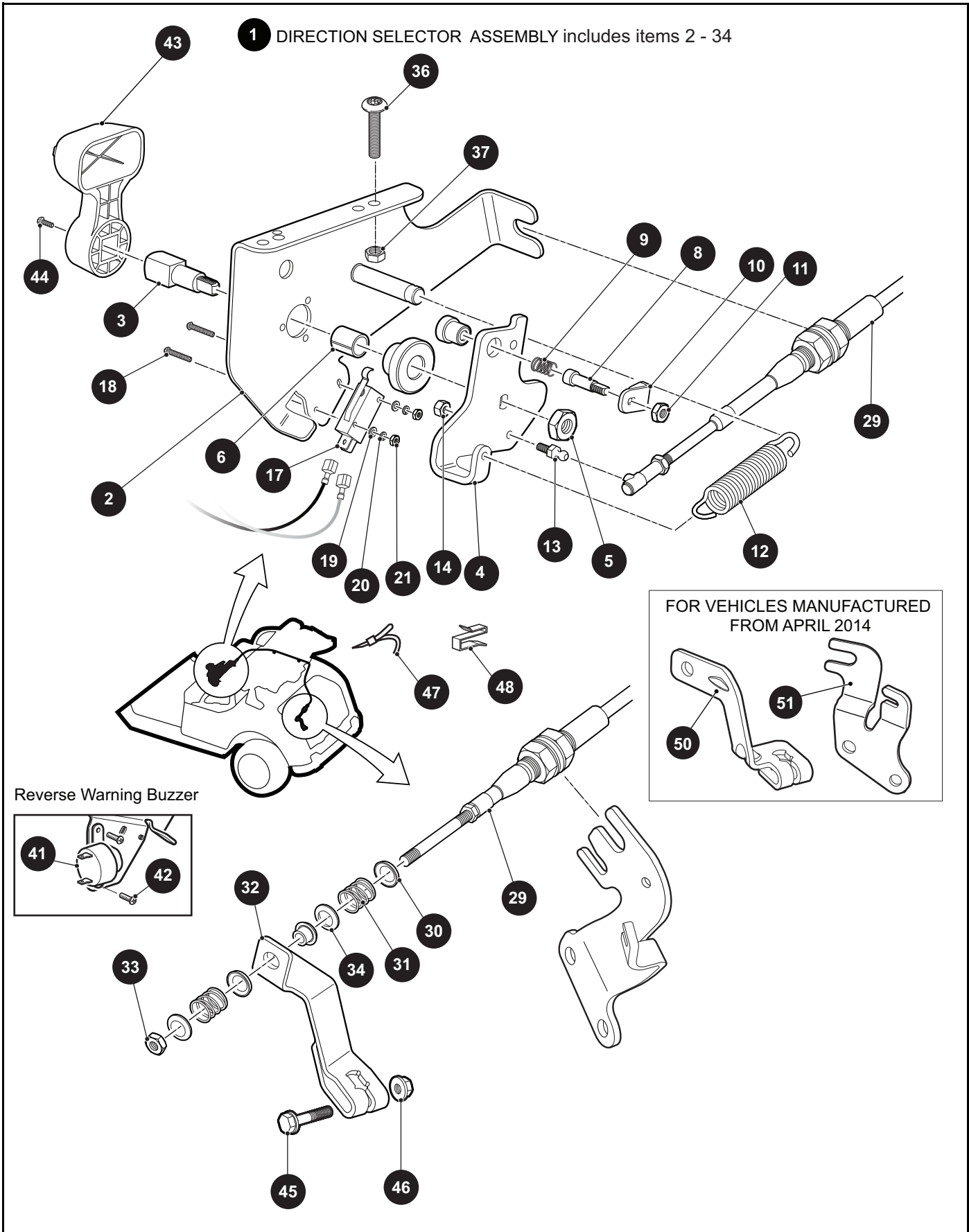
When ordering parts, please specify the model and serial number of the product.

* Indicates a component that is not available as an individual part.

*** Indicates consult Customer Service Department for additional information.

ITEM	PART NO.	1 2 3 4 5	DESCRIPTION	QTY.
1	644301		PRIMARY TEAM CLUTCH (INCLUDES ITEMS 2 - 11).....	1
2	619333		PRIMARY STARTER PULLY, 195 - SVC.....	1
3	619334		STATIONARY ASSEMBLY	1
4	619335		MOVEABLE PRIMARY ASSEMBLY	1
5	624112		SHIFT ROLLER ASSEMBLY.....	6
6	619337		SHIM, 39.5MM X 31.75MM	1
7	644303		PRIMARY SPIDER ASSEMBLY	1
8	619339		PRIMARY DUST COVER ASSEMBLY.....	1
9	644305		BUTTON, TORQUE PRIMARY	6
10	619332		HEX WASHER HEAD BOLT, 1/4" - 20 X 3/4" LG	7
11	644306		PLUG, TORQUE PRIMARY.....	6
12	623949		SECONDARY TEAM CLUTCH (INCLUDES ITEMS 13 - 20).....	1
13	*		SECONDARY STATIONARY, 9.5.....	1
14	*		MOVEABLE SECONDARY, 9.5.....	1
15	619327		INNER RETAINER SPRING.....	1
16	624111		COMPRESSION SPRING, 2.70 OD.....	1
17	619329		OUTER SPRING RETAINER	1
18	619330		RETAINER RING.....	1
19	619331		THRUST WASHER, 1.53" x 1.83" x 1"	1
20				
21	606239		CONICAL WASHER, M12	2
22	00566G3		LOCK WASHER (SPRING TYPE), 3/8".....	2
23	606245		HEX HEAD BOLT, M12 - 1.25 X 160MM LG.....	1
24	606243		HEX HEAD BOLT, M12 - 1.25 X 120MM LG.....	1
25	606230		CLUTCH WASHER, 27.5MM O.D. X 13.06" I.D.	1
26	605950		CLUTCH BELT SHIELD.....	1
27	618630		DRIVE BELT	1

DIRECTION SELECTOR



DIRECTION SELECTOR

When ordering parts, please specify the model and serial number of the product.

* Indicates a component that is not available as an individual part.

*** Indicates consult Customer Service Department for additional information.

ITEM	PART NO.	1 2 3 4 5	DESCRIPTION	QTY.
1	603416		DIRECTION SELECTOR ASSEMBLY (INCLUDES ITEMS 2 - 34)	1
2	606077		DIRECTION SELECTOR BRACKET.....	1
3	70233G01		DIRECTION SELECTOR SHAFT.....	1
4	603700		DIRECTION SELECTOR CAM.....	1
5	14390G1		LOCK NUT, 3/8 - 24.....	1
6	25664G2		BUSHING	1
7				
8	72724G01		NEUTRAL LOCK PIN	1
9	72733G01		COMPRESSION SPRING, 3/8" X 5/8" LG	1
10	72729G01		NEUTRAL LOCK LATCH.....	1
11	00734G2		LOCK NUT, 1/4" - 28	1
12	28574G01		EXTENSION SPRING	1
13	72732G01		BALL STUD, 1/4".....	1
14	00734G5		LOCK NUT, #10 - 32.....	1
15				
16				
17	72736G01		MICRO SWITCH	1
18	01062G01		ROUND HEAD SCREW, #4 - 40 X 1" LG.....	2
19	00559G1		FLAT WASHER, #4	2
20	00565G1		LOCK WASHER, #4	2
21	00526G2		HEX NUT, #4 - 40	2
22				
23				
24				
25				
26				
27				
28				
29	603615		PUSH/PULL CABLE	1
30	25727G01		CUP WASHER, 1/4"	4
31	72735G01		COMPRESSION SPRING, 19/32" X 1" LG	2

DIRECTION SELECTOR

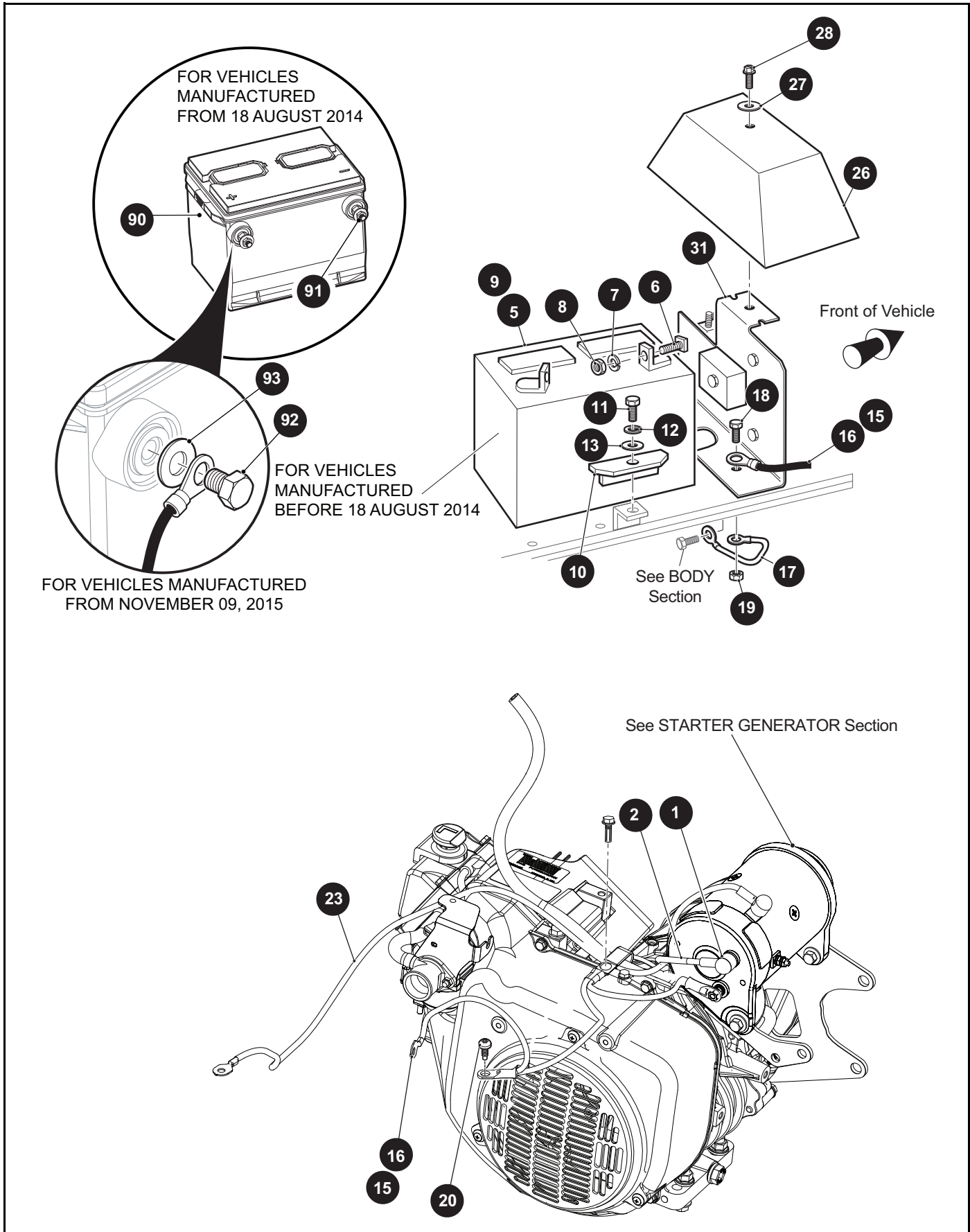
When ordering parts, please specify the model and serial number of the product.

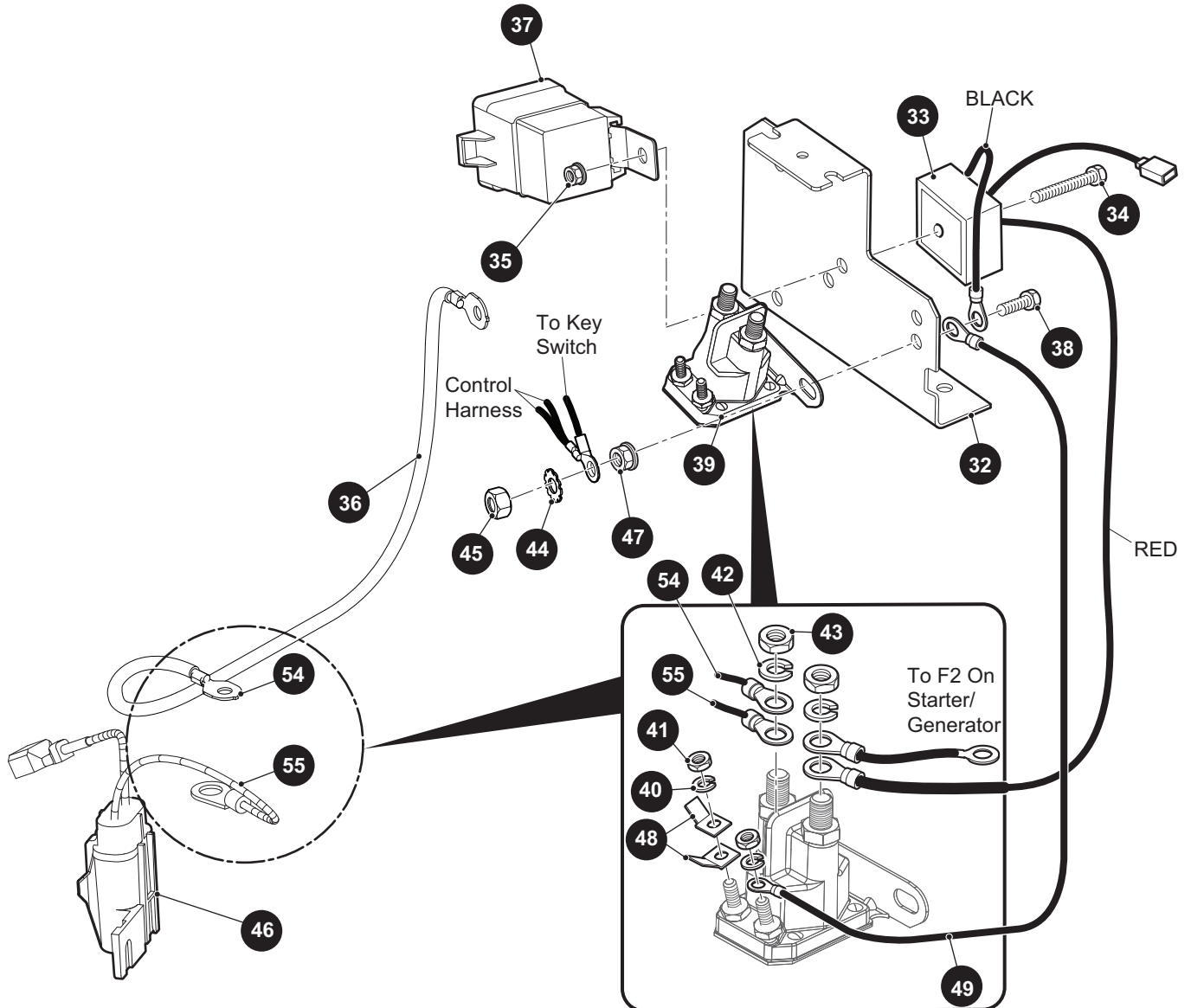
* Indicates a component that is not available as an individual part.

*** Indicates consult Customer Service Department for additional information.

ITEM	PART NO.	1 2 3 4 5	DESCRIPTION	QTY.
32	606014		PIVOT BRACKET WITH BUSHING	1
33	00734G5		LOCK NUT, #10 - 32	1
34	22754G4		BUSHING, FLIP LOK, .250	1
35				
36	70227G01		SOCKET HEAD BOLT, 1/4" - 20 X 7/8" LG	2
37	11027G2		LOCK NUT, 1/4" - 20	2
38				
39				
40				
41	73290G03		REVERSE WARNING BUZZER	1
42	01063G01		SCREW, #6 - 32 X 3/8" LG	2
43	71205G01		DIRECTION SELECTOR HANDLE	1
44	00740G4		SCREW (SS), #10 - 32 X 1/2" LG	1
45	606421		FLANGED HEX HEAD BOLT, M6 - 1 X 30MM LG	1
46	450452		HEX NUT, M6 -1.00 HSF	1
47	31539G1		WIRE TIE.....	1
48	01072G01		CABLE CLIP.....	1
49				
50;	632891		DIRECTION SELECTOR PIVOT BRACKET (FOR VEHICLES MANUFACTURED FROM APRIL 2014)	1
51	632936		GOVERNOR CABLE / DIRECTION SELECTOR BRACKET (FOR VEHICLES MANUFACTURED FROM APRIL 2014)	1

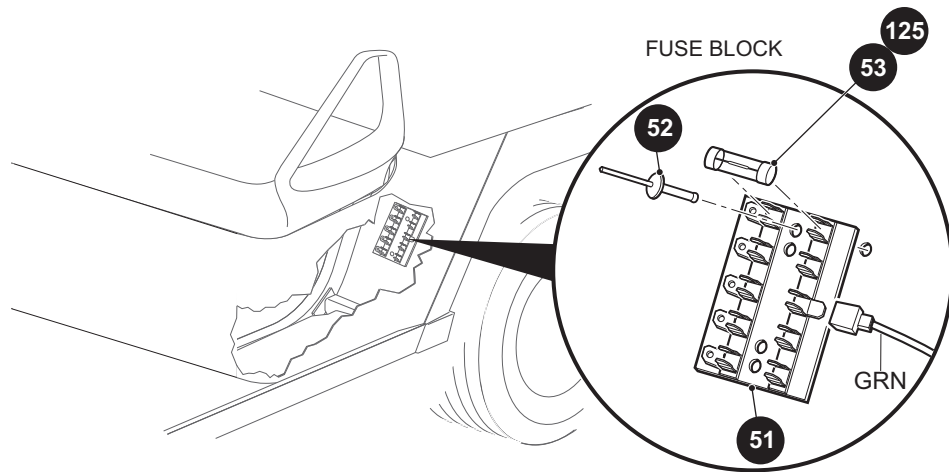
ELECTRICAL SYSTEM



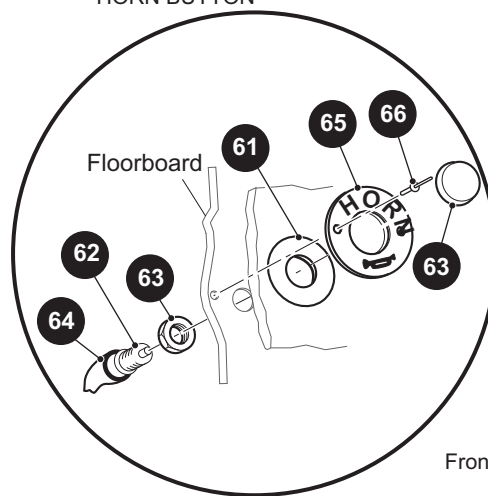


31 ELECTRICAL PLATE ASSEMBLY includes items 32 - 43 and 46 - 49

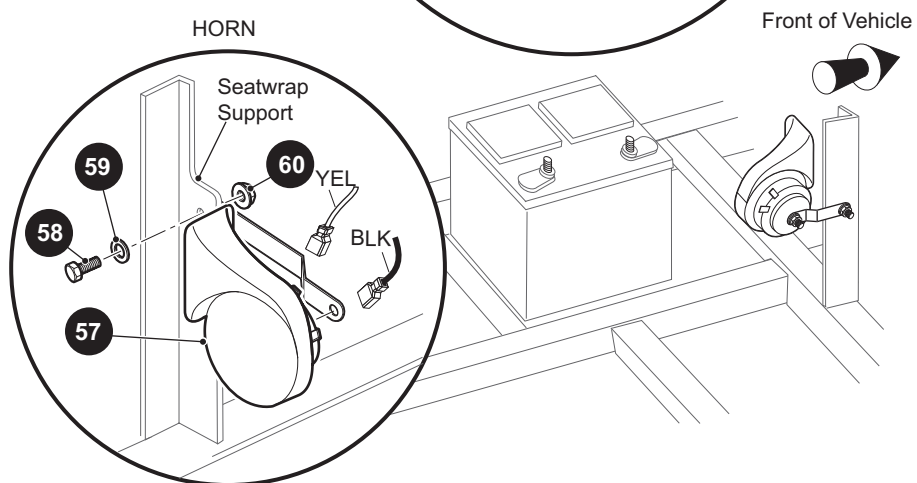
ELECTRICAL SYSTEM



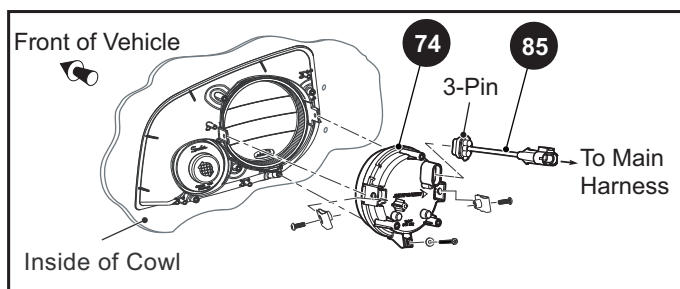
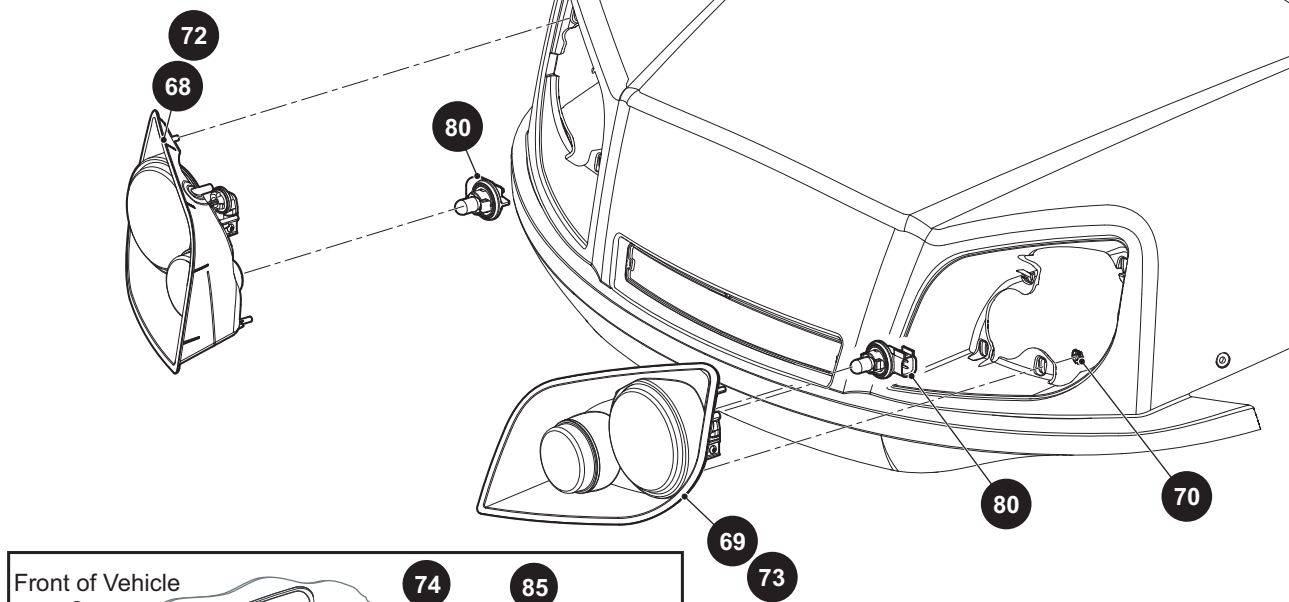
HORN BUTTON



HORN

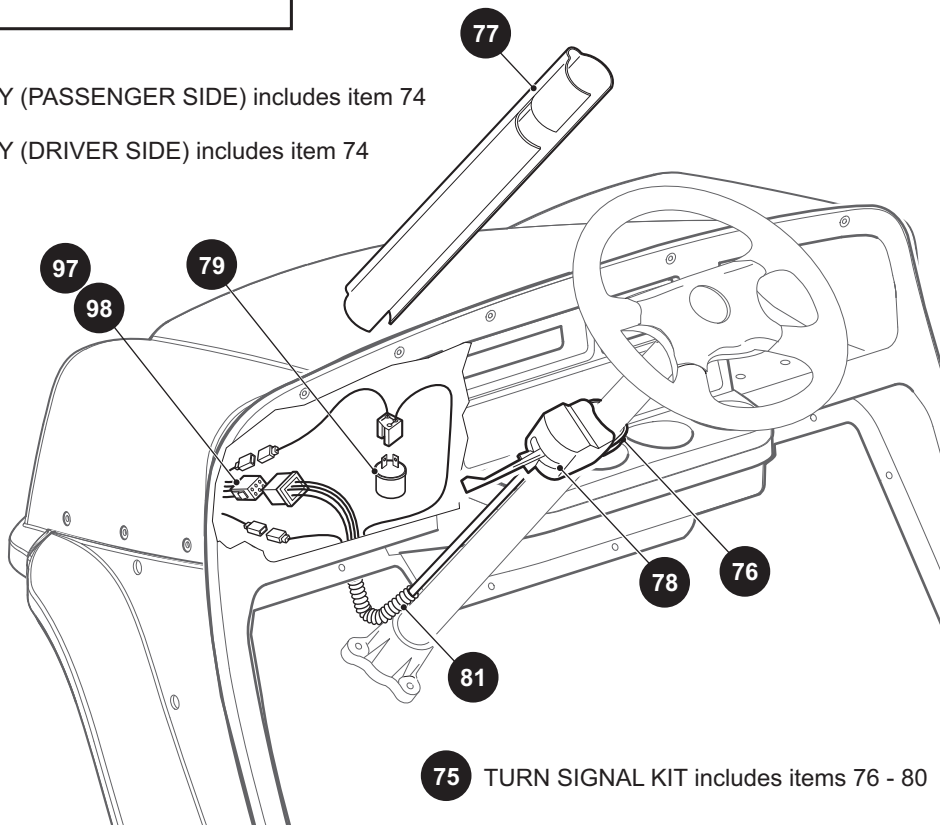


HEAD LIGHT AND TURN SIGNAL

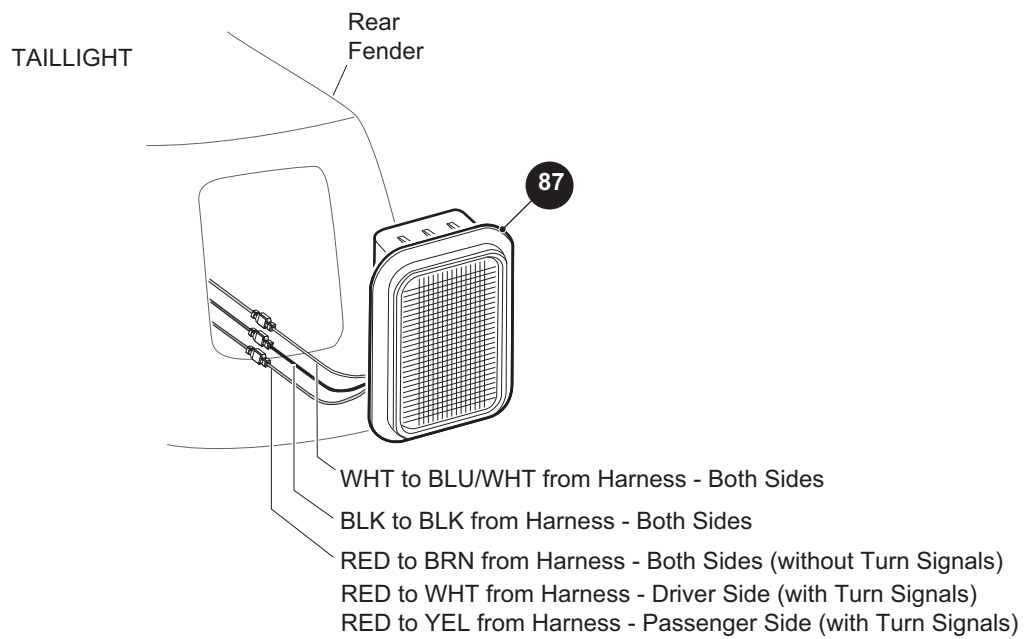


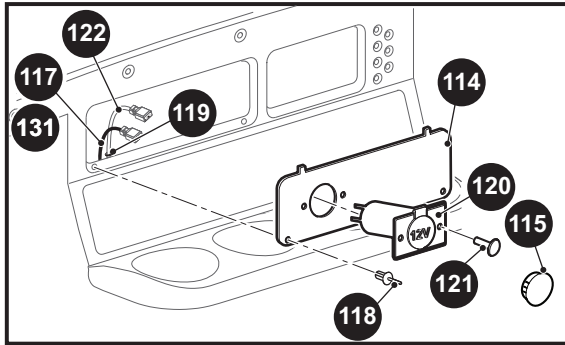
72 LED HEADLIGHT ASSEMBLY (PASSENGER SIDE) includes item 74

73 LED HEADLIGHT ASSEMBLY (DRIVER SIDE) includes item 74



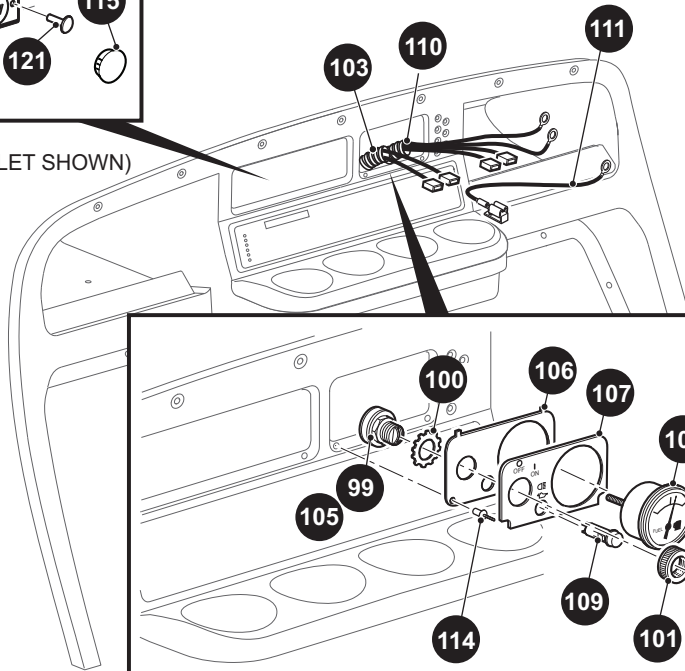
75 TURN SIGNAL KIT includes items 76 - 80





CONSOLE INSERT PLATE (WITH POWER OUTLET SHOWN)

- 112 CONSOLE PLATE WITHOUT OUTLET includes items 113, 119
- 113 CONSOLE INSERT ASSY WITH PLUG includes items 114, 115
- 116 12 V OUTLET KIT includes items 117 - 122, 131
- 123 POWER OUTLET 12V includes items 117 - 119, 124 - 125, 131
- 124 CONSOLE INSERT ASSY WITH POWER OUTLET includes items 114, 120 - 121

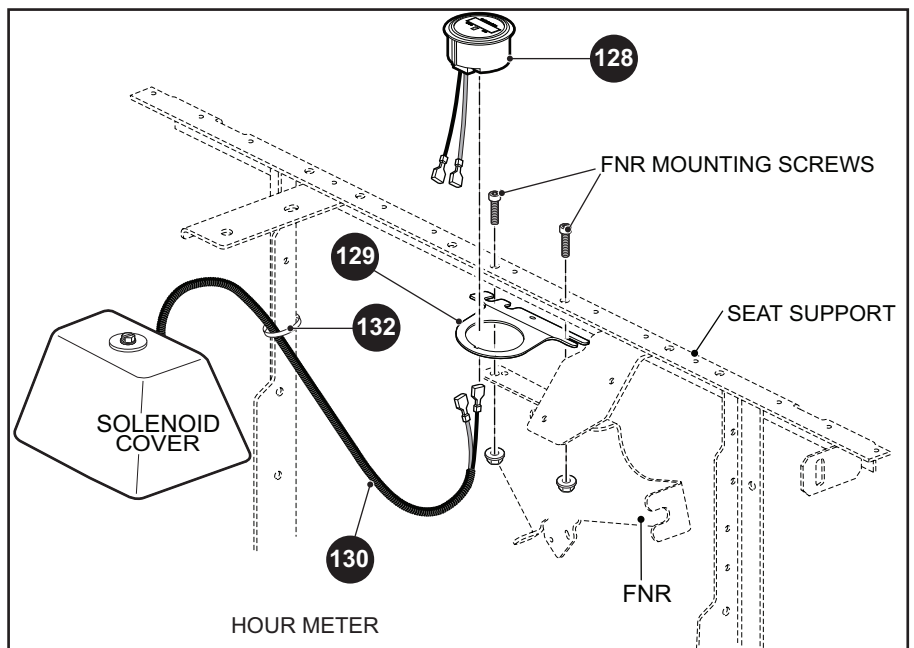
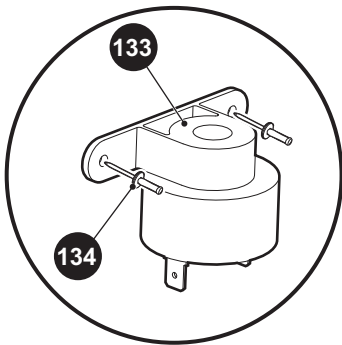


KEY SWITCH, INDICATOR LIGHT(S), AND FUEL GAUGE

Front of Vehicle



- 127 HOUR METER KIT includes items 128 - 130



ELECTRICAL SYSTEM

When ordering parts, please specify the model and serial number of the product.

* Indicates a component that is not available as an individual part.

*** Indicates consult Customer Service Department for additional information.

ITEM	PART NO.	1 2 3 4 5	DESCRIPTION	QTY.
1	607053		6 GA WIRE (BLACK 6", F1 - A2)	1
2	25682G01		TERMINAL COVER	3
3				
4				
5	24775G1		BATTERY, 12V (FOR VEHICLES MANUFACTURED BEFORE 18 AUGUST 2014).....	1
6	*		BOLT, 5/16" - 18 X 1 1/4" LG.....	2
7	*		LOCK WASHER (SILICON BRONZE), 5/16"	2
8	*		NUT (SILICON BRONZE), 5/16 - 18	2
9	600497		HEAVY DUTY BATTERY, 12V	1
10	72101G02		BATTERY HOLD DOWN	1
11	00438G6		HEX HEAD BOLT, 5/16" - 18 X 3/4" LG	3
12	00565G8		LOCK WASHER, 5/16"	1
13	00571G2		FLAT WASHER (SS), 5/16"	1
14				
15	645191		GROUND CABLE (FOR VEHICLES MANUFACTURED FROM NOVEMBER 09, 2015).....	1
16	27044G03		GROUND CABLE	1
17	25976G19		14 GA WIRE (BLACK 6")	1
18	00438G6		HEX HEAD BOLT, 5/16" - 18 X 3/4" LG	2
19	11027G1		LOCK NUT, 5/16" - 18.....	2
20	26676G01		FLANGED BOLT, M6 X 1.0 X 23MM	1
21				
22				
23	607103		6 GA WIRE, 42"	1
24	605560		WIRE HARNESS (CONTROL)	1
25	17618G1		WIRE TIE (NOT ILLUSTRATED)	AR
26	73049G01		COVER (DIRECTION SELECTOR).....	1
27	16469G1		FENDER WASHER, 1/4"	1
28	00114G6		HEX WASHER TAPPING SCREW, 1/4" - 14 X 3/4" LG	1
29	610428		BATTERY BOLT EXTENDER (NOT ILLUSTRATED).....	1
30				
31	605563		ELECTRICAL PLATE ASSEMBLY (INCLUDES ITEMS 32 - 43, 46 - 49).....	1
32	73057G02		BRACKET	1

ELECTRICAL SYSTEM

When ordering parts, please specify the model and serial number of the product.

* Indicates a component that is not available as an individual part.

*** Indicates consult Customer Service Department for additional information.

ITEM	PART NO.	1 2 3 4 5	DESCRIPTION	QTY.
33	27739G01		VOLTAGE REGULATOR	1
34	303459		HEX HEAD BOLT, 1/4" - 20 X 1 1/2" LG.....	1
35	11027G2		LOCK NUT, 1/4" - 20	1
36	645190		WIRE ASSEMBLY, 6 AWG	1
37	603282		RELAY	1
38	00661G8		HEX HEAD BOLT (SS), 1/4" - 20 X 1" LG	1
39	612813		SOLENOID	1
40	*		LOCK WASHER, #10.....	2
41	*		NUT, #10 - 32	2
42	*		LOCK WASHER, 5/16"	2
43	*		NUT, 5/16" - 24.....	2
44	00567G7		LOCK WASHER (EXTERNAL TOOTH TYPE), 1/4"	1
45	00532G1		HEX NUT, 1/4" - 20	1
46	600418G01		FUSE HOLDER ASSEMBLY	1
47	11027G2		LOCK NUT, 1/4" - 20	1
48	73446G01		FASTON TAB, 90°	2
49	25978G56		18 GA WIRE (BLACK 5 3/4").....	1
50				
51	22674G1		FUSE BLOCK	1
52	01041G01		RIVET, 1/8" X 13/16" LG	2
53	18392G1		15 AMP FUSE	3
54	645190		#6 GA WIRE ASSEMBLY	1
55	20216G1		16 GA WIRE (RED).....	1
56				
57	32860G1		HORN.....	1
58	00414G5		HEX HEAD BOLT, 1/4" - 20 x 5/8" LG.....	1
59	00559G7		FLAT WASHER (SS), 1/4".....	1
60	14390G4		LOCK NUT, 1/4" - 20	1
61	608397		HORN PLATE	1
62	17318G1		HORN SWITCH	1
63	17318G2		HORN SWITCH CAP AND NUT	1
64	27068G01		HORN SWITCH BOOT	1
65	19233G1		HORN SWITCH LABEL	1

ELECTRICAL SYSTEM

When ordering parts, please specify the model and serial number of the product.

* Indicates a component that is not available as an individual part.

*** Indicates consult Customer Service Department for additional information.

ITEM	PART NO.	1	2	3	4	5	DESCRIPTION	QTY.
66	71055G01						ALUMINUM RIVET, 3/16" X 1" LG	2
67								
68	614497						RIGHT HEAD LIGHT ASSEMBLY	1
69	614501						LEFT HEADLIGHT ASSEMBLY	1
70	71597G01						SELF THREADING NUT	8
71	71781G02						VINYL TAPE	2
72	659008						LED HEADLIGHT ASSEMBLY (PASSENGER SIDE) (INCLUDES ITEM 74) .	1
73	659009						LED HEADLIGHT ASSEMBLY (DRIVER SIDE) (INCLUDES ITEM 74).....	1
74	651411G03						LED HEADLIGHT	1
75	622712						TURN SIGNAL KIT (INCLUDES ITEMS 76 - 81)	1
76	17618G1						NYLON CLAMP	2
77	20965G3						STEERING COLUMN COVER	1
78	611810						TURN SIGNAL SWITCH ASSEMBLY (INCLUDES ITEM 79).....	1
79	21640G1						TURN SIGNAL FLASHER	1
80	619102						TURN SIGNAL ASSEMBLY BULB.....	2
81	32307G3						FLEX ZIP LOOM, 3/8".....	1
82	00439G1						HEX HEAD BOLT, 5/16" - 18 X 1 1/8" LG (NOT ILLUSTRATED)	1
83	75048G01						SPACER, .328" X .75" X .50" (NOT ILLUSTRATED)	1
84	11098G6						LOCK NUT, 5/16" - 18 (NOT ILLUSTRATED)	1
85	654465						JUMPER HARNESS, LED HEADLIGHT	2
86								
87	32739G2						TAILLIGHT ASSEMBLY (COMPLETE).....	1
88								
89								
90	637484						BATTERY, 12V (FOR VEHICLES MANUFACTURED FROM 18 AUGUST 2014).....	1
91	610428						BATTERY BOLT EXTENDER (FOR VEHICLES MANUFACTURED FROM 18 AUGUST 2014).....	2
92	651336						BATTERY BOLT (FOR VEHICLES MANUFACTURED FROM NOVEMBER 09, 2015).....	2
93	614221						FLAT WASHER, 3/8" (FOR VEHICLES MANUFACTURED FROM NOVEMBER 09, 2015).....	2
94								
95								
96								

ELECTRICAL SYSTEM

When ordering parts, please specify the model and serial number of the product.

* Indicates a component that is not available as an individual part.

*** Indicates consult Customer Service Department for additional information.

ITEM	PART NO.	1 2 3 4 5	DESCRIPTION	QTY.
97	645193		WIRE HARNESS, LONG (ACCESSORY) FOR VEHICLES MANUFACTURED FROM NOVEMBER 09, 2015..... 1	
98	619091		WIRE HARNESS, LONG (ACCESSORY)	1
99	33639G01		IGNITION SWITCH	1
100	00568G6		LOCK WASHER, 3/4"	1
101	17137G1		FACE NUT, 3/4"- 20	1
102	17063G1		IGNITION KEY	1
103	605639		WIRE HARNESS (KEY SWITCH).....	1
104				
105	33639G03		IGNITION SWITCH (WITH LIGHTS)	1
106	601015		PLATE (FUEL GAUGE AND OIL LIGHT).....	1
107	71181G01		LABEL (OIL LIGHT AND FUEL GAUGE WITH HEADLIGHTS).....	1
108				
109				
110				
111				
112	71079G08		CONSOLE PLATE WITHOUT OUTLET (INCLUDES ITEMS 113, 118)	1
113	74693G02		CONSOLE INSERT ASSY, W/PLUG (INCLUDES ITEMS 114, 115).....	1
114	73522G03		CONSOLE PLATE (E-COAT).....	1
115	20271G10		HOLE PLUG, 1.00 DIA.....	1
116	71079G10		12 V OUTLET KIT (INCLUDES ITEMS 117 - 122, 131).....	1
117	71081G01		WIRE HARNESS, POWER OUTLET 12V.....	1
118	33623G02		DRIVE RIVET, .188" DIA	3
119	17618G1		NYLON CLAMP.....	5
120	71078G01		POWER OUTLET,12V	1
121	14601G10		ALUMINIUM RIVET (BLACK), 5/32".....	2
122	35212G01		FUSE, AUTOMTIVE ATC TYPE, 15A.....	1
123	71079G11		POWER OUTLET 12V (INCLUDES ITEMS 117 -119, 124 - 125, 131).....	1
124	74693G01		CONSOLE INSERT ASSY (INCLUDES ITEMS 114, 120 - 121)	1
125	18392G01		GLASS FUSE, 3AG - 15AMP	1
126	606254		WIRE HARNESS (HOUR METER)	1
127	607285		HOUR METER KIT (INCLUDES ITEMS 128 - 130).....	1
128	617074		HOUR METER	1

ELECTRICAL SYSTEM

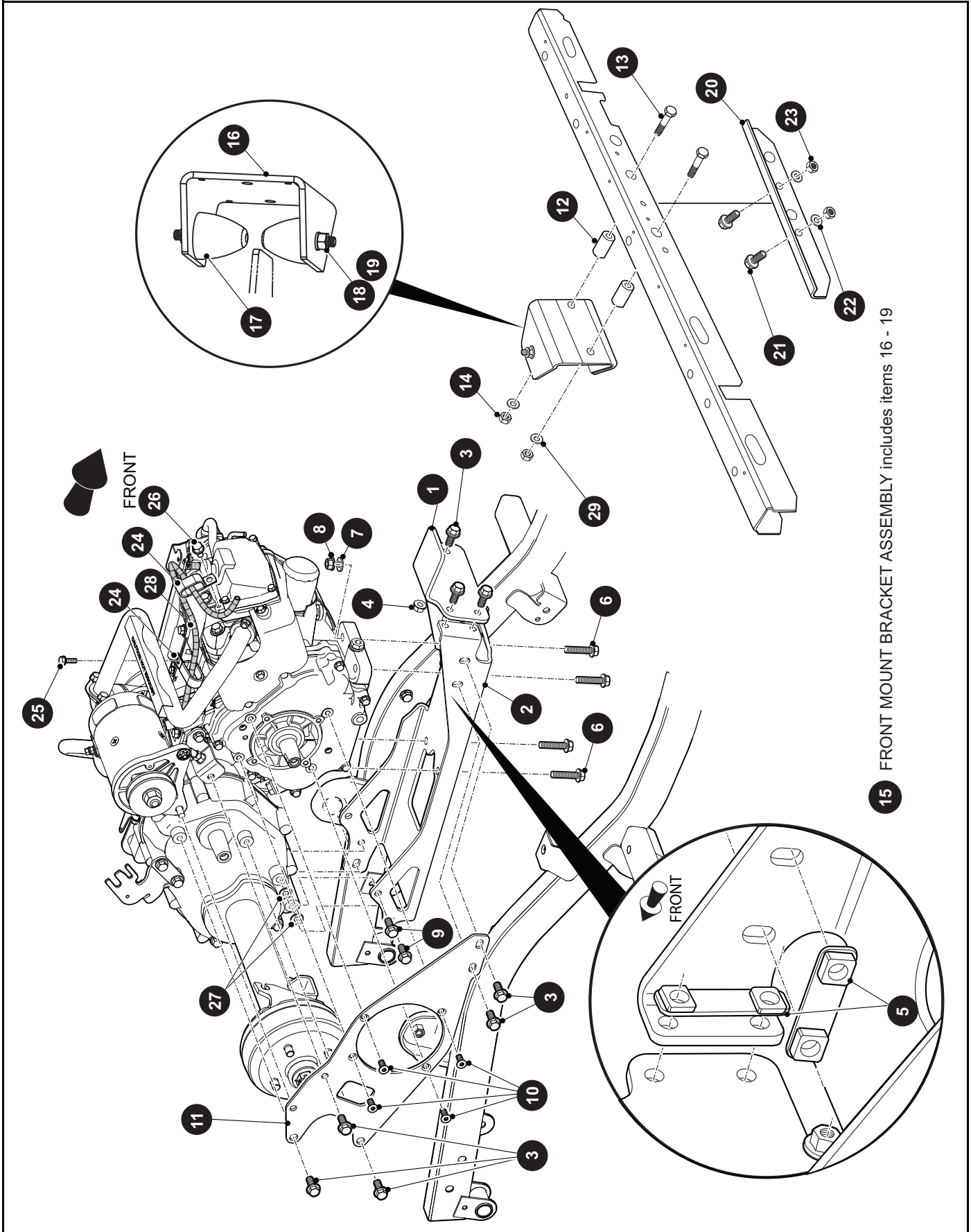
When ordering parts, please specify the model and serial number of the product.

* Indicates a component that is not available as an individual part.

*** Indicates consult Customer Service Department for additional information.

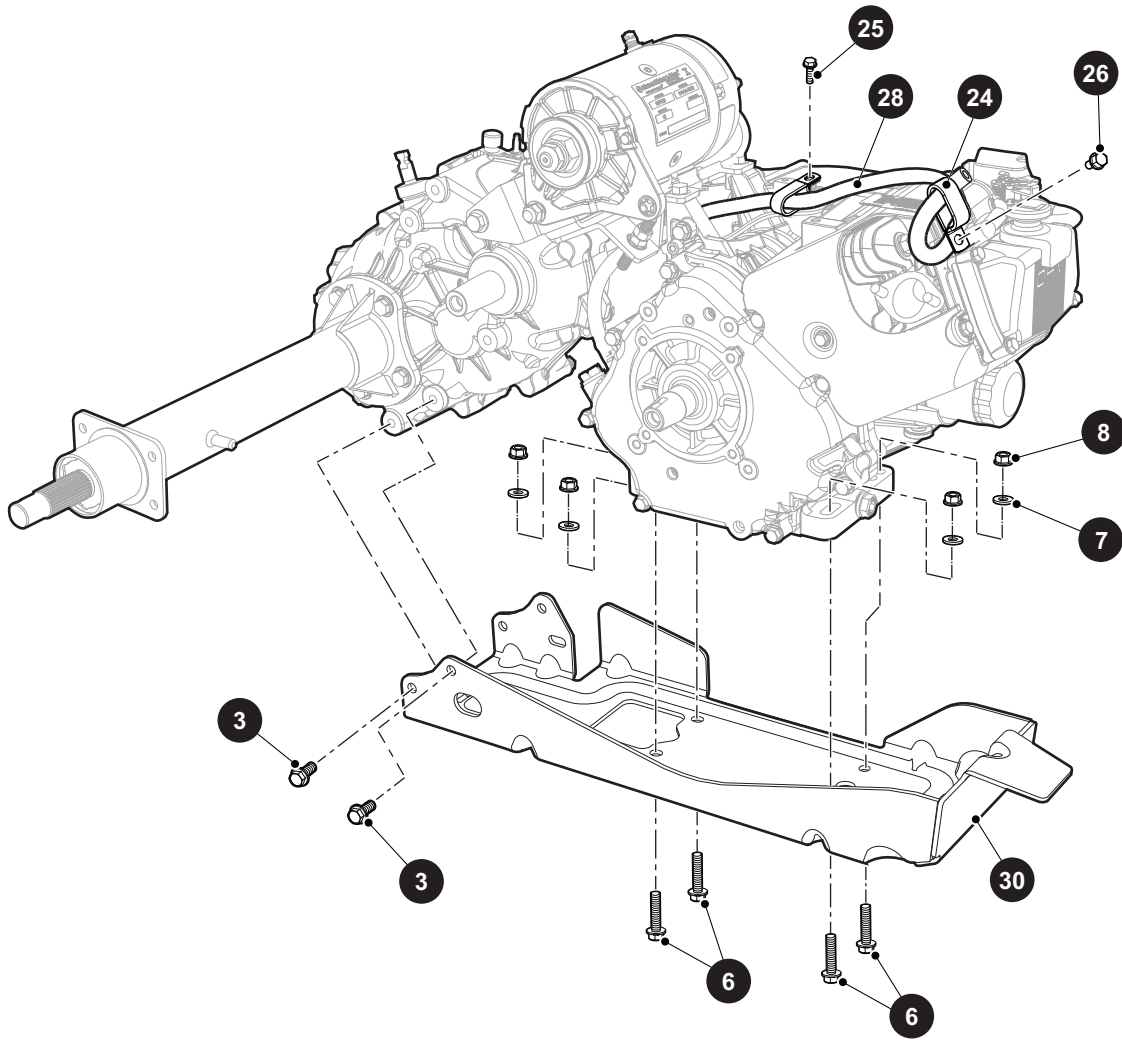
ITEM	PART NO.	1 2 3 4 5	DESCRIPTION	QTY.
129	635649		HOUR METER BRACKET	1
130	606254		WIRE HARNESS (HOUR METER).....	1
131	645194		WIRE HARNESS, POWER OUTLET 12V (FOR VEHICLES MANUFACTURED FROM NOVEMBER 09, 2015)	1
132	31539G1		NYLON CLAMP 15.5" (NOT ILLUSTRATED).....	AR
133	73290G03		CONTINOUS TONE BUZZER.....	1
134	01041G01		BULBEX RIVET, 5/32" DIA.....	2

ENGINE MOUNTING



15 FRONT MOUNT BRACKET ASSEMBLY includes items 16 - 19

FOR VEHICLES MANUFACTURED FROM APRIL 2014



ENGINE MOUNTING

When ordering parts, please specify the model and serial number of the product.

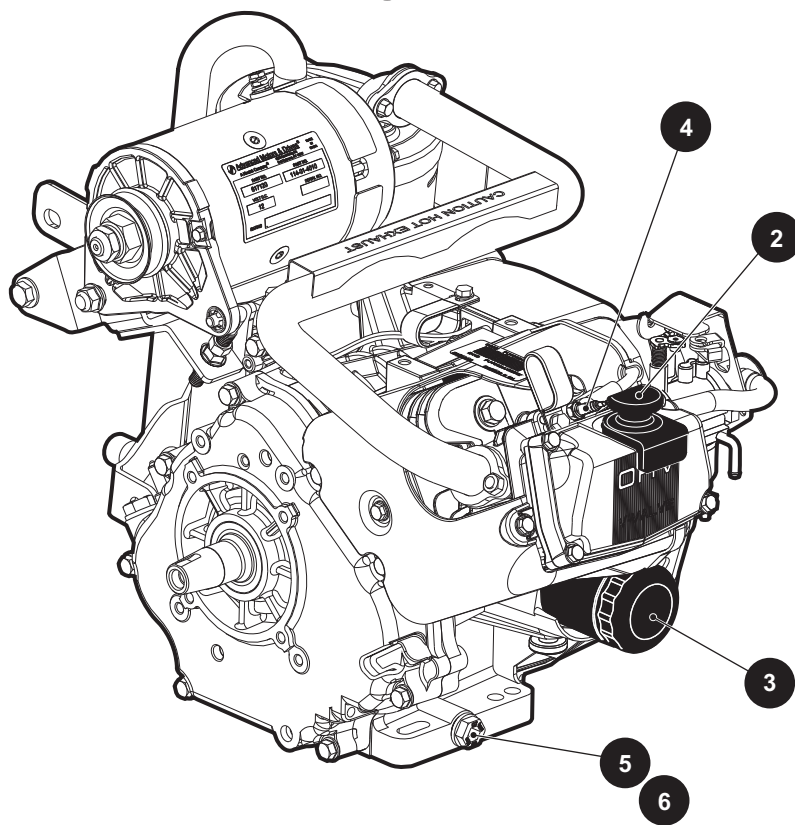
* Indicates a component that is not available as an individual part.

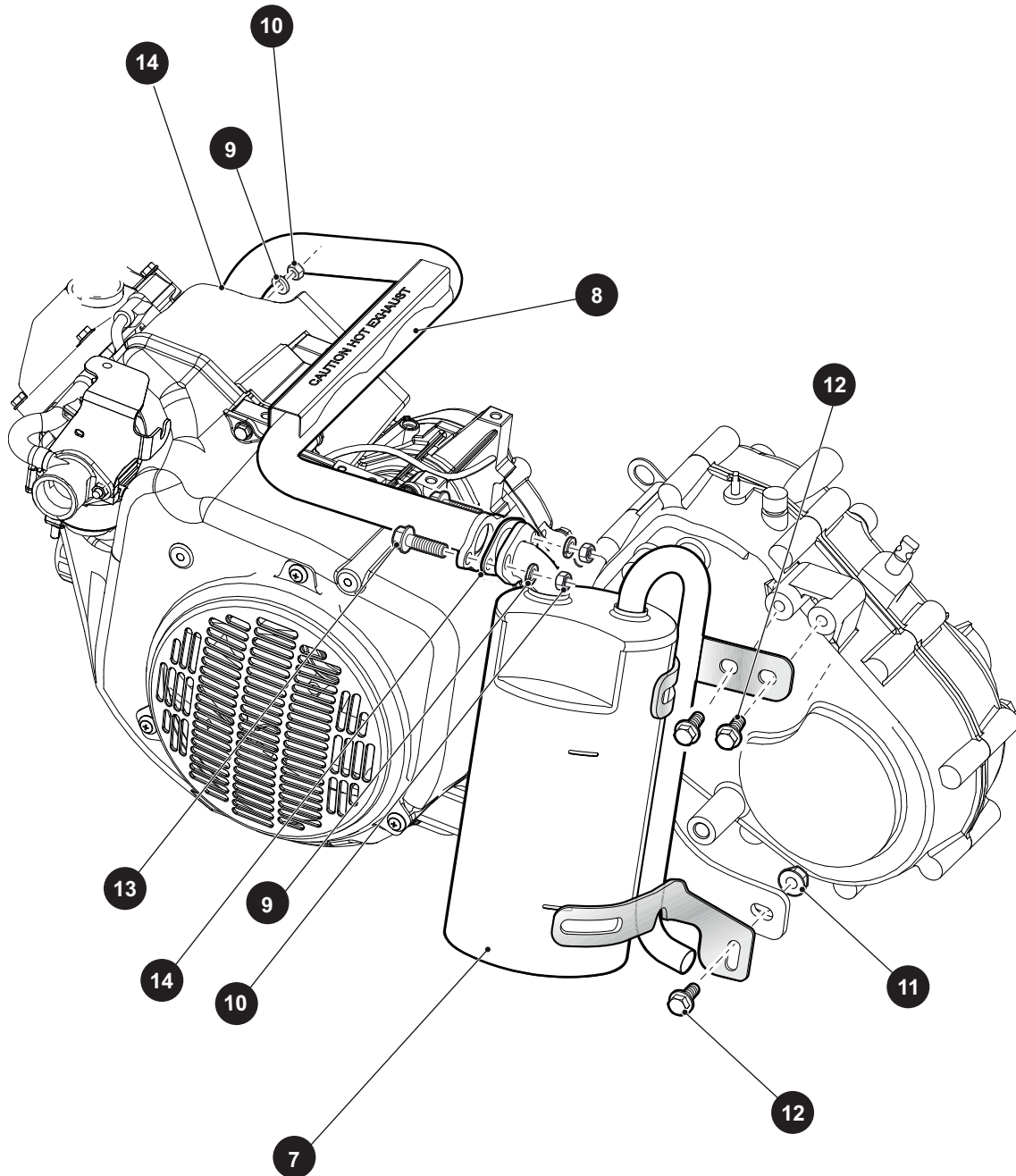
*** Indicates consult Customer Service Department for additional information.

ITEM	PART NO.	1 2 3 4 5	DESCRIPTION	QTY.
1	606007		FRONT ENGINE MOUNT	1
2	603101		ENGINE PAN MOUNT.....	1
3	606256		HEX HEAD BOLT, M10 - 1.25 X 25MM LG	8
4	606279		HEX NUT, M10 - 1.25	1
5	606096		NUT PLATE	2
6	606259		HEX HEAD BOLT, M10 - 1.25 X 45MM LG	4
7	603823		FLAT WASHER, M10 X 22 - 2.5MM LG	4
8	606279		HEX NUT, M10 - 1.25	4
9	608020		HEX HEAD BOLT, M10 - 1.25 X 34MM LG	4
10	606246		FLAT HEAD SCREW, M6 - 1 X 12	4
11	602146		DIFFERENTIAL PLATE	1
12	72016G01		TUBE SPACER	2
13	00428G8		HEX HEAD BOLT, 3/8" - 16 X 2.75" LG.....	2
14	11098G5		PLASTIC INSERT LOCK NUT, 3/8 -16.....	2
15	627627		FRONT MOUNT BRACKET ASSEMBLY (INCLUDES ITEMS 16 - 19).....	1
16	625345		FRONT MOUNT BRACKET.....	1
17	605757		RUBBER BUMPER.....	2
18	00974G01		HEX NUT, M10 X 1.5	2
19	608654		SPLIT LOCK WASHER, 10MM.....	2
20	652247		CROSSMEMBER BRACE.....	1
21	00438G7		HEX HEAD BOLT, 5/16" - 18 X 7/8" LG	2
22	00559G8		FLAT WASHER, 5/16"	2
23	01109G01		PLASTIC INSERT LOCK NUT, 5/16" -18 UNC.....	2
24	606962		TUBE CLAMP, DBL - 0.72	2
25	606264		HEX HEAD BOLT, HXFL M6 - 1 X 20MM LG	1
26	606265		HEX HEAD BOLT, HXFL M6 - 1 X 12MM LG	1
27	00560G2		B TYPE NARROW FLAT WASHER, 7/16	2
28	27184G12		TUBE, (FUEL SYSTEM).....	1
29	00643G1		FLAT WASHER, 3/8" X 1.0 X .063	2
30	630776		ENGINE PAN (FOR VEHICLES MANUFACTURED FROM APRIL 2014)	1

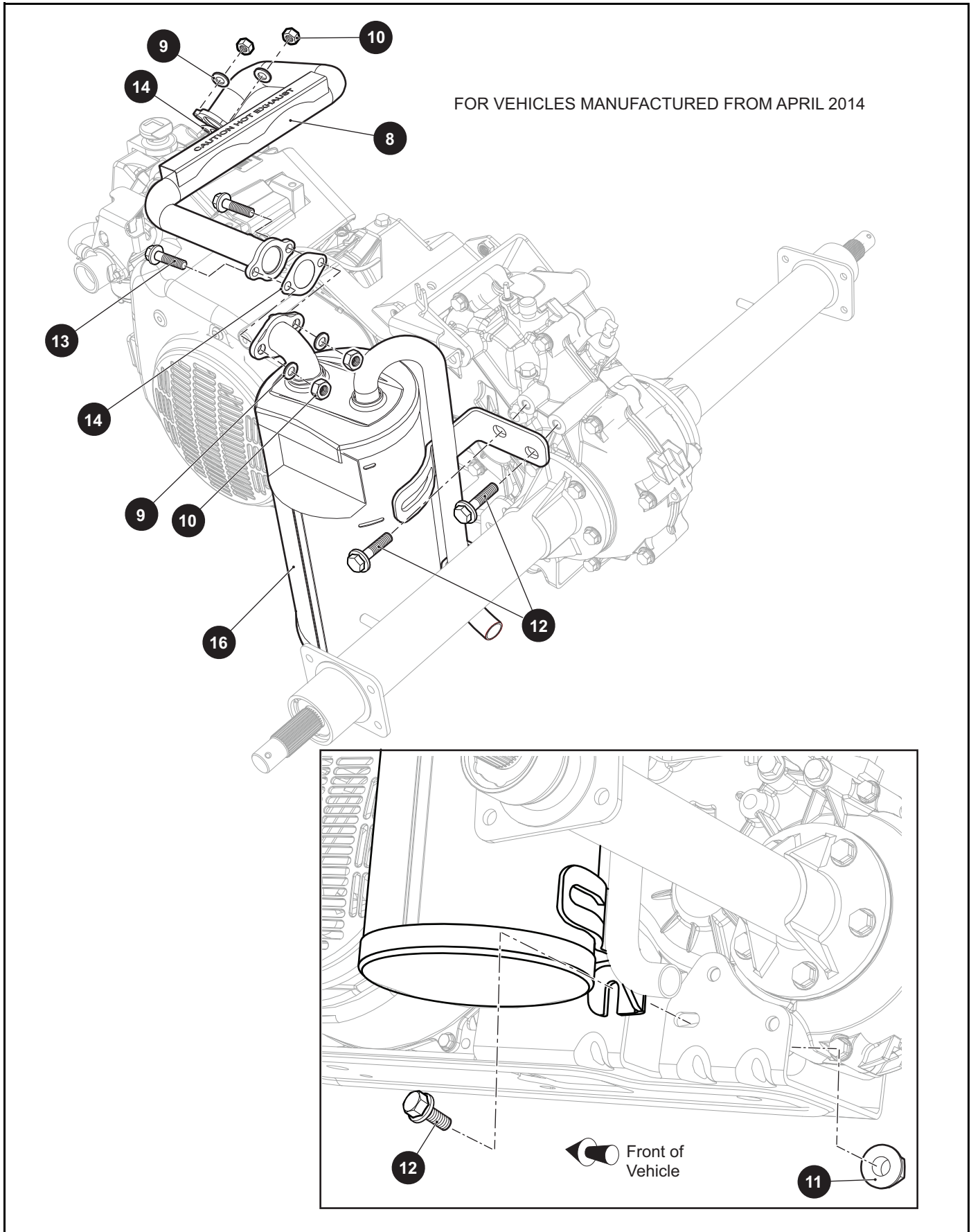
ENGINE AND MUFFLER

1 GAS ENGINE includes items 3 - 6





ENGINE AND MUFFLER



ENGINE AND MUFFLER

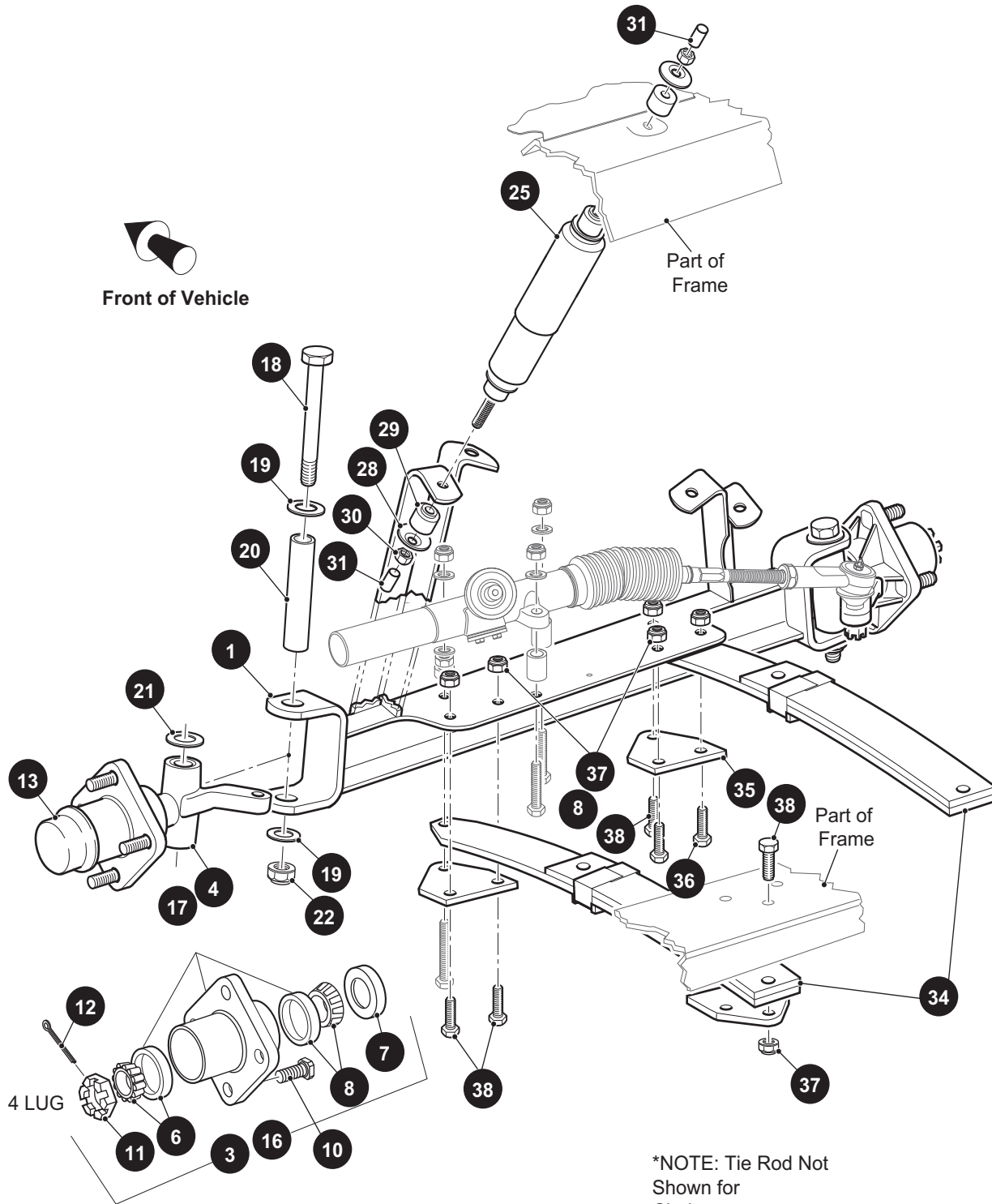
When ordering parts, please specify the model and serial number of the product.

* Indicates a component that is not available as an individual part.

*** Indicates consult Customer Service Department for additional information.

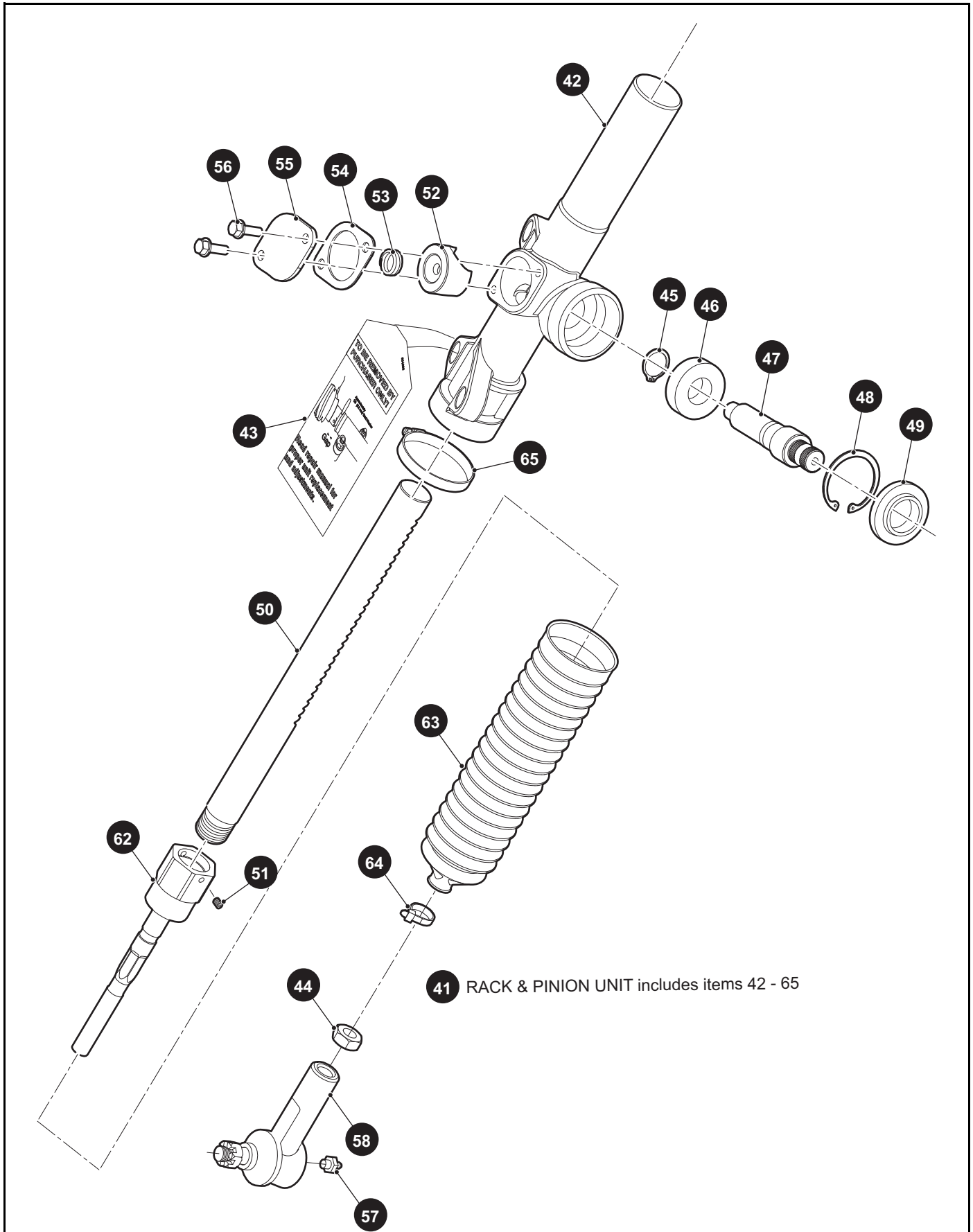
ITEM	PART NO.	1 2 3 4 5	DESCRIPTION	QTY.
1	607154		ENGINE, GAS, 13HP, NON-GOLF (INCLUDES ITEMS 3 - 6)	1
2	606390		DIP STICK.....	1
3	607454		OIL FILTER.....	1
4	607462		SPARK PLUG (BPR2ES)	1
5	603557		OIL DRAIN PLUG	1
6	603562		'O' RING, 16MM.....	1
7	612266		MUFFLER	1
8	606982		EXHAUST PIPE	1
9	606272		LOCK WASHER, 8MM.....	4
10	606267		HEX NUT, M8 X 1.25	4
11	606279		FLANGED HEX NUT, M10 - 1.25.....	1
12	606256		FLANGED HEX HEAD BOLT, M10 - 1.25 X 25MM LG.....	3
13	602330		FLANGED HEX HEAD BOLT, M8 - 1.25 X 30MM LG.....	2
14	603599		EXHAUST GASKET.....	2
15				
16	630970		MUFFLER (FOR VEHICLES MANUFACTURED FROM APRIL 2014)	1

FRONT SUSPENSION AND STEERING



- 3** SPINDLE & HUB ASSEMBLY (PASSENGER SIDE) includes items 4 - 13
- 9** WHEEL HUB ASSEMBLY includes item 10
- 16** SPINDLE & HUB ASSEMBLY (DRIVER SIDE) includes items 7 - 13, 17

FRONT SUSPENSION AND STEERING



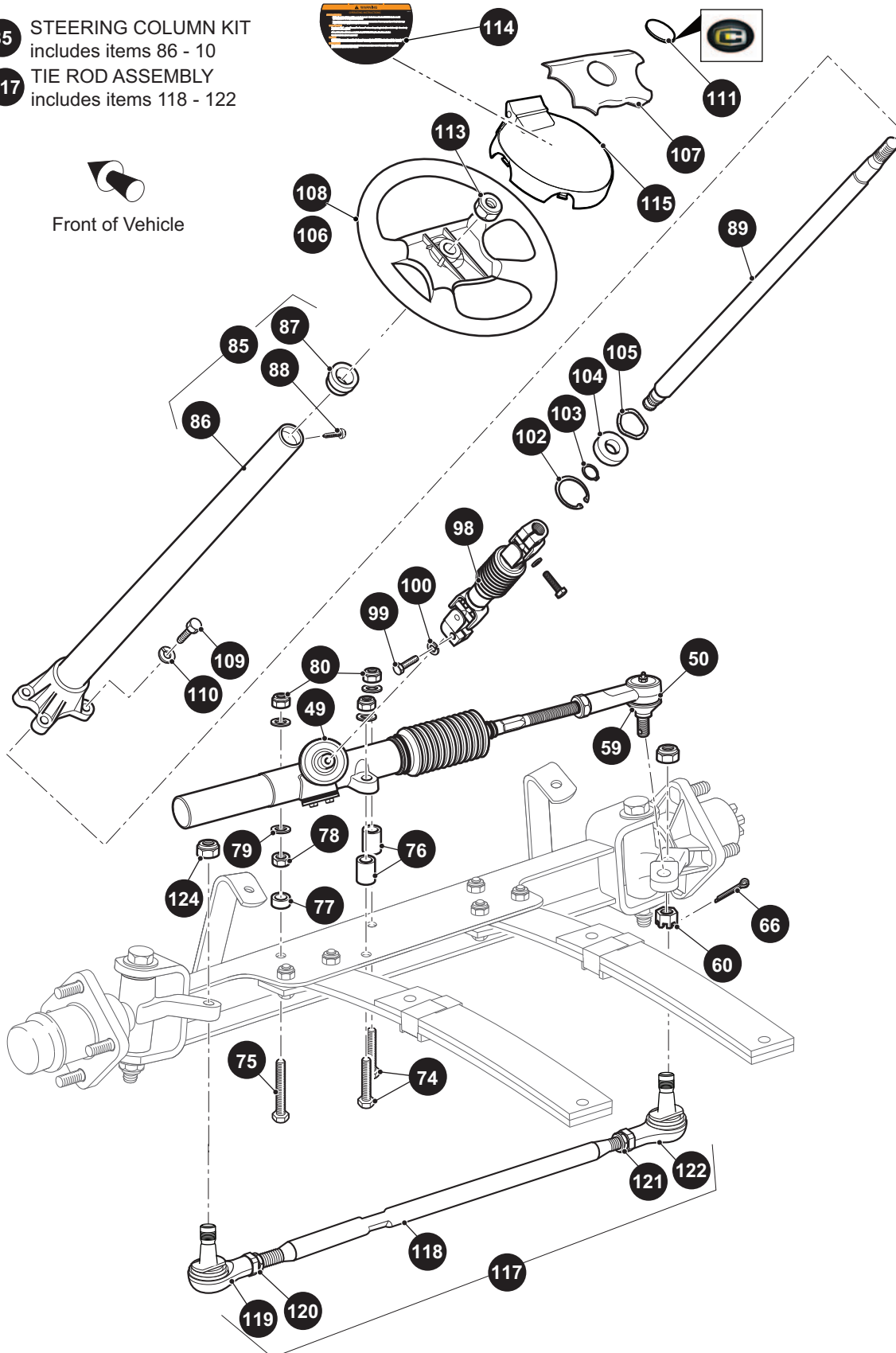
FRONT SUSPENSION AND STEERING

85 STEERING COLUMN KIT

includes items 86 - 10

117 TIE ROD ASSEMBLY

includes items 118 - 122



FRONT SUSPENSION AND STEERING

When ordering parts, please specify the model and serial number of the product.

* Indicates a component that is not available as an individual part.

*** Indicates consult Customer Service Department for additional information.

ITEM	PART NO.	1 2 3 4 5	DESCRIPTION	QTY.
1	652822		FRONT AXLE.....	1
2				
3	70942G03		SPINDLE AND HUB ASSEMBLY, 4 LUG (PASSENGER SIDE) (INCLUDES ITEMS 4 - 13)	1
4	70940G04		SPINDLE ASSEMBLY (PASSENGER SIDE) (INCLUDES ITEMS 5, 6)...	1
5	70648G01		BEARING	1
6	70749G01		BEARING, DP4	1
7	25146G1		GREASE SEAL.....	1
8	50892G1		ROLLER BEARING AND RACE ASSEMBLY.....	2
9	70589G1		WHEEL HUB ASSEMBLY WITH RACES, 4 LUG (INCLUDES ITEM 10)	1
10	19862G1		LUG BOLT, 1/2" - 20 X 1 7/32" LG	4
11	12093G1		SLOTTED NUT, 1" - 14.....	1
12	00798G8		COTTER PIN, 5/32" X 1 3/4" LG	1
13	12091G2		SPINDLE CAP.....	2
14				
15				
16	70673G03		SPINDLE AND HUB ASSEMBLY, 4 LUG (DRIVER SIDE) (INCLUDES ITEMS 7 - 13 & 17)	1
17	70742G02		SPINDLE ASSEMBLY (DRIVER SIDE) (INCLUDES ITEMS 5, 6)	1
18	00407G6		HEX HEAD BOLT, 1/2" - 13 X 6" LG	2
19	00560G3		FLAT WASHER, 1/2"	4
20	70745G01		KING PIN TUBE.....	2
21	70754G01		THRUST WASHER (SS).....	2
22	14390G6		LOCK NUT, 1/2" - 13.....	2
23				
24				
25	76419G01		SHOCK ABSORBER.....	2
26				
27				
28	10435G1		SHOCK ABSORBER WASHER.....	8
29	10194G1		RUBBER SHOCK ABSORBER BUSHING	8

FRONT SUSPENSION AND STEERING

When ordering parts, please specify the model and serial number of the product.

* Indicates a component that is not available as an individual part.

*** Indicates consult Customer Service Department for additional information.

ITEM	PART NO.	1	2	3	4	5	DESCRIPTION	QTY.
30	00532G6						HEX NUT, 3/8" - 24.....	4
31	10044G01						VINYL CAP	4
32								
33								
34	70664G03						LEAF SPRING (HEAVY DUTY) (SEE PART NUMBER ON SPRING)	2
35	652258						SPRING PLATE.....	4
36								
37	00734G1						LOCK NUT, 7/16" - 14	11
38	00463G11						HEX HEAD BOLT, 7/16" - 14 X 1 3/4" LG.....	11
39								
40								
41	70964G01						RACK AND PINION UNIT (COMPLETE) (INCLUDES ITEMS 42 - 65).....	1
42	70965G01						STEERING RACK COVER & BEARING	1
43	*						STEERING BOX INSTALLATION TAG	1
44	*						JAM NUT, 1/2" - 20	1
45	70750G01						RETAINING RING (EXTERNAL)	1
46	15112G1						BALL BEARING	1
47	70603G01						PINION.....	1
48	70751G01						RETAINING RING (INTERNAL).....	1
49	70638G01						SEAL PINION.....	1
50	70604G01						RACK STEERING.....	1
51	*						SOCKET HEAD SCREW, #10- 32	1
52	70590G01						RACK LOADER	1
53	70666G01						SPRING COMPRESSION	1
54	70645G01						GASKET (RACK LOADER)	1
55	652259						COVER (RACK LOADER)	1
56	71102G01						CAP HEX HEAD BOLT, 1/4" - 20	2
57	10389G3						GREASE FITTING, STRAIGHT.....	1
58	70695G01						TIE ROD END - OUTER	1
59	*						GROMMET - TIE ROD END	1

FRONT SUSPENSION AND STEERING

When ordering parts, please specify the model and serial number of the product.

* Indicates a component that is not available as an individual part.

*** Indicates consult Customer Service Department for additional information.

ITEM	PART NO.	1 2 3 4 5	DESCRIPTION	QTY.
60	*		SLOTTED NUT, 7/16" - 20.....	1
61				
62	74694G01		ROD END (INNER)	1
63	70961G01		RACK BOOT	1
64	12416G2		WIRE TIE.....	1
65	11391G8		CLAMP, HOSE	1
66	10387G2		COTTER PIN, 3/32" X 1" LG.....	1
67				
68				
69				
70				
71				
72				
73				
74	00464G8		HEX HEAD BOLT, 7/16" - 14 X 2 3/4" LG	2
75	01068G01		HEX HEAD BOLT, 7/16" - 14 X 3 1/2" LG	1
76	70667G02		SPACER, 1.21" LG	2
77	70667G04		STEERING HOUSING SPACER	1
78	00532G7		HEX NUT, 7/16" - 14	1
79	00560G2		FLAT WASHER, 7/16".....	7
80	00734G1		LOCK NUT, 7/16" - 14.....	3
81				
82				
83				
84				
85	70758G05		STEERING COLUMN KIT (INCLUDES ITEMS 86 - 105).....	1
86	70610G03		STEERING COLUMN.....	1
87	28569G01		STEERING COLUMN BUSHING	1
88	01022G01		HEX WASHER HEAD SCREW, #6 - 20 X 5/16" LG.....	1
89	70607G01		STEERING SHAFT.....	1

FRONT SUSPENSION AND STEERING

When ordering parts, please specify the model and serial number of the product.

* Indicates a component that is not available as an individual part.

*** Indicates consult Customer Service Department for additional information.

ITEM	PART NO.	1	2	3	4	5	DESCRIPTION	QTY.
90								
91								
92								
93								
94								
95								
96								
97								
98	70580G01						INTERMEDIATE SHAFT	1
99	01055G01						HEX HEAD BOLT, M8 - 1.25 - 6G	2
100	00565G8						LOCK WASHER, 5/16"	2
101								
102	70751G01						RETAINING RING (INTERNAL).....	1
103	70888G01						RETAINING RING (EXTERNAL)	1
104	15112G1						BALL BEARING	1
105	70887G01						WAVE WASHER	1
106	602980						STEERING WHEEL PREMIUM (OPTIONAL).....	1
107	71147G01						STEERING WHEEL COVER.....	1
108	602979						STEERING WHEEL.....	1
109	01006G01						HEX WASHER HEAD BOLT, 3/8" - 16 X 1 1/4" LG WITH PATCHLOCK	4
110	00879G1						LOCK WASHER, 3/8"	4
111	618086						STEERING WHEEL DECAL (CUSHMAN)	1
112								
113	14390G2						LOCK NUT, 5/8" - 18	1
114	608529						STEERING WHEEL LABEL	1
115	607925						CLIPBOARD	1
116								
117	70876G02						TIE ROD ASSEMBLY (INCLUDES ITEMS 118 - 122).....	1
118	70807G01						THREADED ROD (24" LG).....	1
119	70902G01						TIE ROD END (LEFT HAND THREADS)	1

FRONT SUSPENSION AND STEERING

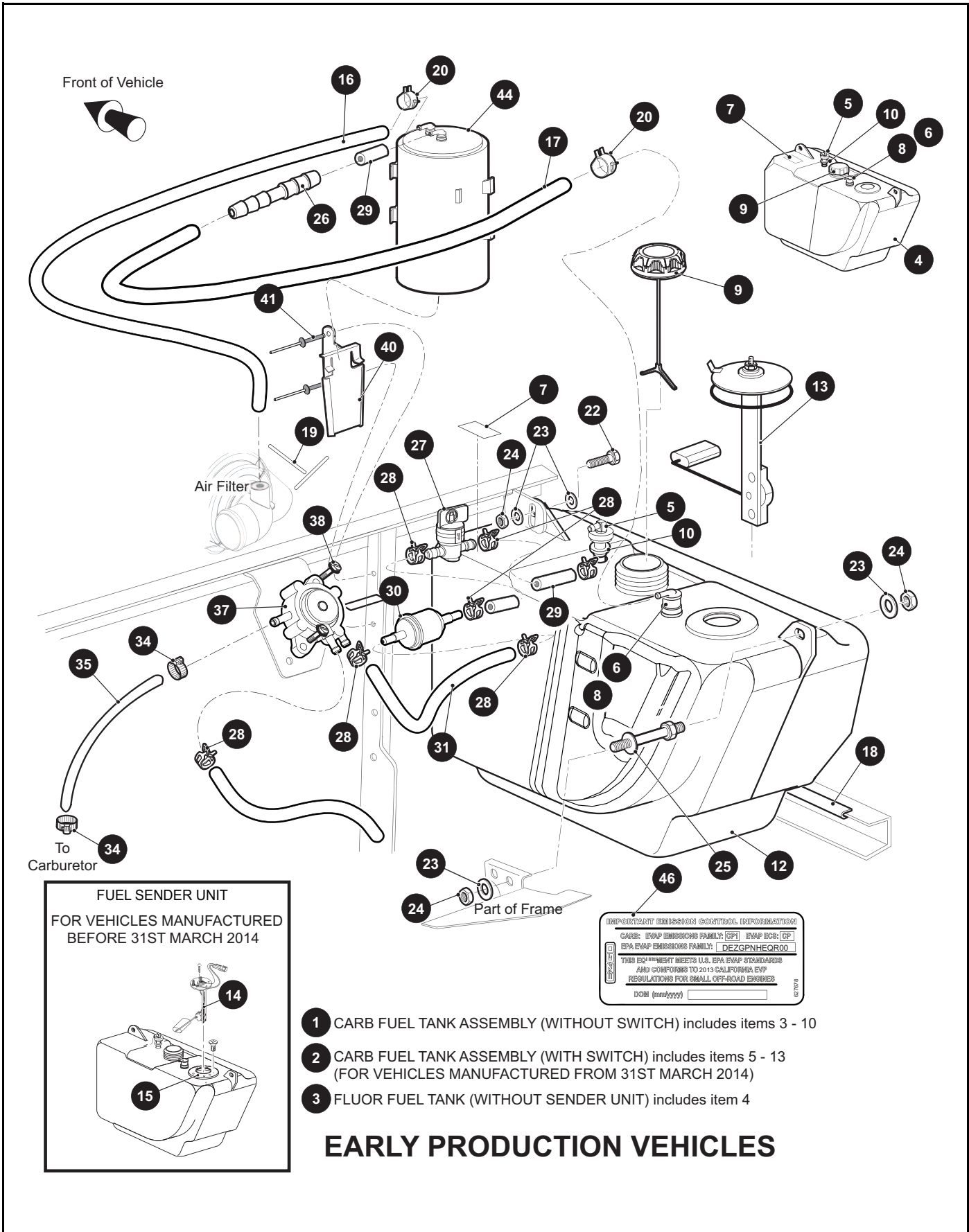
When ordering parts, please specify the model and serial number of the product.

* Indicates a component that is not available as an individual part.

*** Indicates consult Customer Service Department for additional information.

ITEM	PART NO.	1 2 3 4 5	DESCRIPTION	QTY.
120	01069G01		JAM NUT, M12 X 1.25-05 (LEFT HAND THREADS)	1
121	70902G02		TIE ROD END (RIGHT HAND THREADS).....	1
122	01069G02		JAM NUT, M12 X 1.25-05 (RIGHT HAND THREADS).....	1
123				
124	00734G1		LOCK NUT, 7/16" - 14.....	2

FUEL SYSTEM



- 1 CARB FUEL TANK ASSEMBLY (WITHOUT SWITCH) includes items 3 - 10
- 2 CARB FUEL TANK ASSEMBLY (WITH SWITCH) includes items 5 - 13 (FOR VEHICLES MANUFACTURED FROM 31ST MARCH 2014)
- 3 FLUOR FUEL TANK (WITHOUT SENDER UNIT) includes item 4

EARLY PRODUCTION VEHICLES

FUEL SYSTEM

When ordering parts, please specify the model and serial number of the product.

* Indicates a component that is not available as an individual part.

*** Indicates consult Customer Service Department for additional information.

ITEM	PART NO.	1 2 3 4 5	DESCRIPTION	QTY.
1	645033		CARB FUEL TANK ASSEMBLY (WITHOUT SWITCH) (INCLUDES ITEMS 3 - 10)	1
2	645034		CARB FUEL TANK ASSEMBLY (WITH SWITCH) (INCLUDES ITEMS 5 - 13)	1
			(FOR VEHICLES MANUFACTURED FROM 31ST MARCH 2014)	
3	*		FUEL TANK, FLUOR (WITHOUT SENDER UNIT) (INCLUDES ITEM 4)	1
4	*		FUEL TANK (WITHOUT SENDER UNIT)	1
5	18287G3		SIPHON TUBE ASSEMBLY	1
6	606068		ROLLOVER VALVE GROMMET	1
7	625826		EPA FUEL TANK LABEL	1
8	606067		ROLLOVER VALVE	1
9	633423		FUEL TANK CAP (RATCHET)	1
10	70988G01		SIPHON TUBE GROMMET.....	1
11				
12	*		NON FLUOR FUEL TANK (WITH SENDER UNIT)	1
13	633024G02		PRESS FIT FUEL SENDER	1
14	20048G2		FUEL LEVEL SENDER	1
15	72229G01		FUEL TANK ADAPTER	1
16	606966		LOW PRESSURE FUEL HOSE (CARB), 3/16" I.D X 3/8" O.D X 34" LG	1
17	607546		LOW PRESSURE FUEL HOSE (CARB), 3/16" I.D X 3/8" O.D X 17" LG	1
18	32372G6		BLACK TRIM, 6.25" LG	1
19	17618G1		NYLON CLAMP	2
20	606963		TUBING CLAMP, 3/16" I.D.....	2
21				
22	00438G8		HEX HEAD BOLT, 5/16" - 18 X 1" LG	1
23	00559G8		FLAT WASHER, 5/16"	4
24	11098G6		LOCK NUT, 5/16" - 18	3
25	70483G01		SPACER, 5/16" - 18	1
26	615346		HOSE REDUCER, 1/4" I.D X 3/16".....	1
27	611181		FUEL SHUT-OFF VALVE	1
28	18292G1		HOSE CLAMP, .50 DIA.....	8
29	615350		FUEL SYSTEM HOSE, 6.35" I.D X 12.7" O.D X 2" LG.....	3

FUEL SYSTEM

When ordering parts, please specify the model and serial number of the product.

* Indicates a component that is not available as an individual part.

*** Indicates consult Customer Service Department for additional information.

ITEM	PART NO.	1 2 3 4 5	DESCRIPTION	QTY.
30	72084G01		FUEL LINE FILTER	1
31	606969		FUEL SYSTEM HOSE, .25" I.D X .50" O.D X 8" LG	1
32				
33				
34	11391G4		HOSE CLAMP, .25" - .63" DIA.....	2
35	604597		CARB FUEL SYSTEM HOSE, .25" I.D X.50" O.D X 26" LG	1
36				
37	602061		FUEL PUMP	1
38	00114G6		HEX WASHER HEAD SLOTTED TAPPING SCREW, 1/4" - 14 X .75" LG	2
39				
40	606310		CARBON CANISTER MOUNTING BRACKET	1
41	10570G11		RIVET, 3/16" DIA X .70"	2
42				
43				
44	606071		CARBON CANISTER	1
45				
46	627678		EVAP LABEL	1

FUEL SYSTEM

When ordering parts, please specify the model and serial number of the product.

* Indicates a component that is not available as an individual part.

*** Indicates consult Customer Service Department for additional information.

ITEM	PART NO.	1 2 3 4 5	DESCRIPTION	QTY.
1	649515		FUEL LINE ASSEMBLY (INCLUDES ITEMS 2 - 8)	1
2	649570		HOSE, .312" I.D. X .562" O.D. X 9" LG	1
3	615350		HOSE, 2" LG	1
4	649873		CLAMP, 1/2" O.D.	2
5	611181		SHUT-OFF VALVE.....	1
6	72084G01		FUEL FILTER	1
7	649874		CLAMP, 9/16" O.D.	2
8	649577		CONNECTOR, 5/16" I.D.	1
9	18292G1		CLAMP, 1/2" O.D.	3
10				
11	606071		CARBON CANISTER.....	1
12	606310		CANISTER BRACKET	1
13	10570G11		RIVET (SS), 3/16" X .70"	2
14				
15	602061		FUEL PUMP.....	1
16	00114G6		HEX WASHER HEAD BOLT, 1/4" - 10 X 3/4" LG	2
17				
18	27184G14		FUEL SYSTEM TUBE.....	1
19	18292G1		CLAMP, 1/2" O.D.	2
20	606966		HOSE, 3/16" I.D. X 34" LG.....	1
21	606963		CLAMP, 3/16" I.D.	2
22				
23	604597		FUEL HOSE, 26" LG.....	1
24	18292G1		CLAMP, 1/2" O.D.	1
25				
26	17618G1		NYLON CLAMP, 7" LG (NOT ILLUSTRATED).....	2
27	32372G6		VINYL TRIM, 6.25" LG	1
28				
29	615350		FUEL HOSE, 2" LG.....	1
30				
31	00438G8		HEX HEAD BOLT, 5/16" - 18 X 5/8" LG	1

FUEL SYSTEM

When ordering parts, please specify the model and serial number of the product.

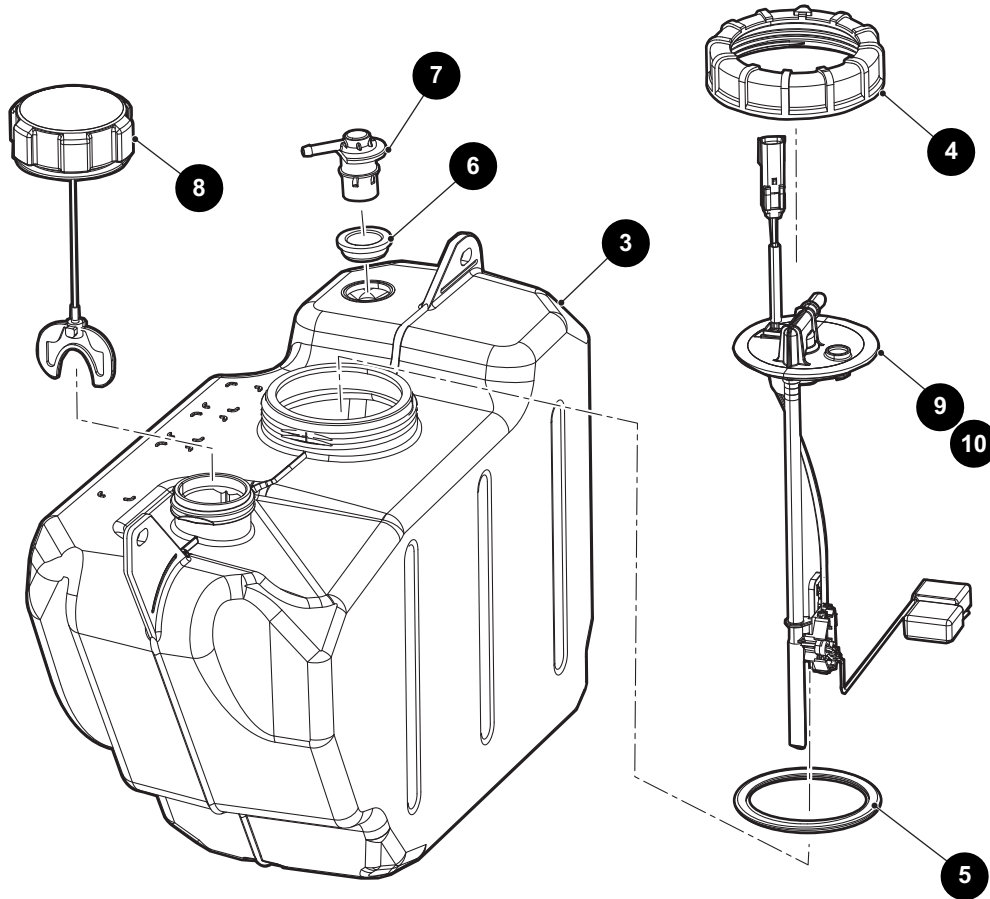
* Indicates a component that is not available as an individual part.

*** Indicates consult Customer Service Department for additional information.

ITEM	PART NO.	1 2 3 4 5	DESCRIPTION	QTY.
32	70483G01		SPACER	1
33	00559G8		FLAT WASHER, 5/16"	4
34	11098G6		LOCK NUT, 5/16" - 18	3

FUEL SYSTEM

- 1 FUEL TANK ASSEMBLY (WITH SENDER UNIT)
includes items 3 - 9
- 2 FUEL TANK ASSEMBLY (WITHOUT SENDER UNIT)
includes items 3 - 8, 10



LATE PRODUCTION VEHICLES

FUEL SYSTEM

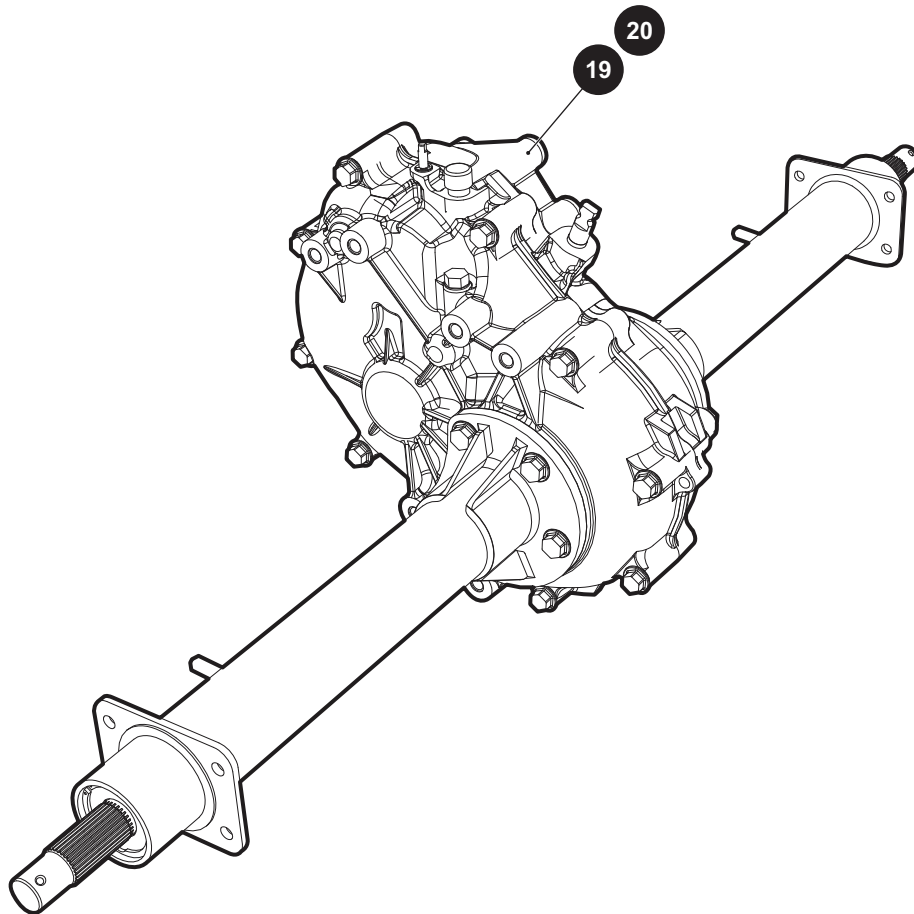
When ordering parts, please specify the model and serial number of the product.

* Indicates a component that is not available as an individual part.

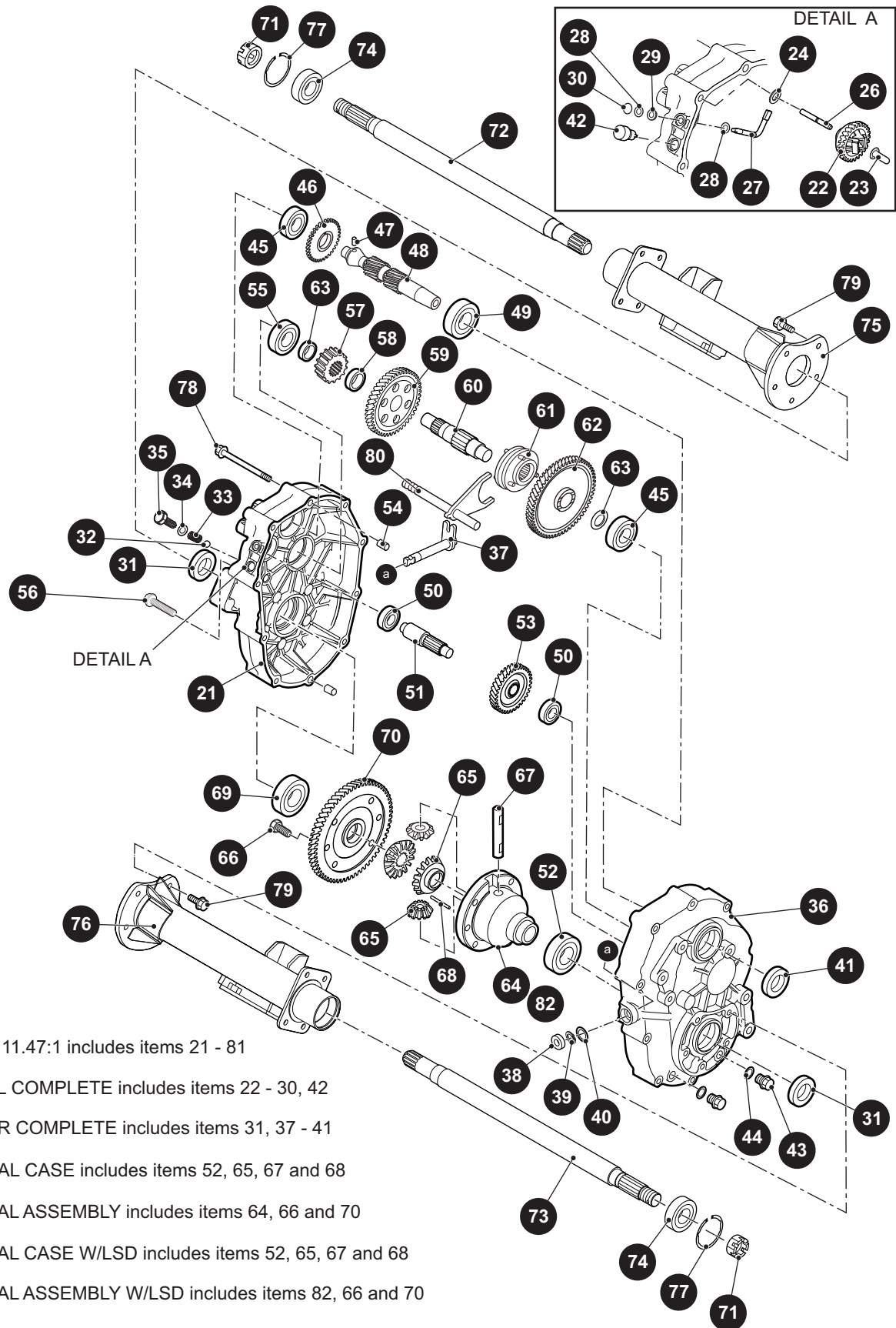
*** Indicates consult Customer Service Department for additional information.

ITEM	PART NO.	1 2 3 4 5	DESCRIPTION	QTY.
1	656139		FUEL TANK ASSEMBLY (WITH SENDER UNIT) (INCLUDES ITEMS 3 - 9)	1
2	656138		FUEL TANK ASSEMBLY (WITHOUT SENDER UNIT) (INCLUDES ITEMS 3 - 8, 10)	1
3	646306		FUEL TANK	1
4	646837		CAP	1
5	646838		SEAL.....	1
6	647810		GROMMET	1
7	647809		ROLLOVER VALVE	1
8	635688		FUEL CAP	1
9	656144		FUEL PICKUP WITH SENDER ASSEMBLY	1
10	656135		FUEL PICKUP WITHOUT SENDER ASSEMBLY	1

FOR VEHICLES MANUFACTURED FROM APRIL 2014



REAR AXLE



- 19 REAR AXLE, 11.47:1 includes items 21 - 81
- 21 AXLE CASE L COMPLETE includes items 22 - 30, 42
- 36 AXLE CASE R COMPLETE includes items 31, 37 - 41
- 64 DIFFERENTIAL CASE includes items 52, 65, 67 and 68
- 81 DIFFERENTIAL ASSEMBLY includes items 64, 66 and 70
- 82 DIFFERENTIAL CASE W/LSD includes items 52, 65, 67 and 68
- 83 DIFFERENTIAL ASSEMBLY W/LSD includes items 82, 66 and 70
- 20 REAR AXLE W/LSD, 11.47:1 includes items 21 - 63, 65 - 80, 82 - 83

REAR AXLE

When ordering parts, please specify the model and serial number of the product.

* Indicates a component that is not available as an individual part.

*** Indicates consult Customer Service Department for additional information.

ITEM	PART NO.	1 2 3 4 5	DESCRIPTION	QTY.
1	627891		REAR AXLE (INCLUDES ITEMS 2 - 16)	1
2	26770G01		OIL DRAIN PLUG	2
3	26771G01		GASKET, 14 MM	2
4				
5				
6				
7	72259G01		OIL SEAL, 28 X 47 X 9 MM	3
8	26823G01		FLANGED HEX HEAD BOLT, M8 X 1.25 X 100 LG	10
9	72260G01		FLANGED HEX HEAD BOLT, M10 X 1.5 X 23 LG	10
10	607940		AXLE TUBE (PASSENGER SIDE)	1
11	607939		AXLE TUBE (DRIVER SIDE).....	1
12	607946		AXLE SHAFT (PASSENGER SIDE).....	1
13	607945		AXLE SHAFT (DRIVER SIDE)	1
14	26811G01		BALL BEARING	2
15	26814G01		SNAP RING, 52 MM	2
16	606403		SLOTTED NUT, M22 X 1.5.....	2
17				
18				
19	670468		REAR AXLE, 11.47:1 (INCLUDES ITEMS 21 - 81) (FOR VEHICLES MANUFACTURED FROM APRIL 2014).....	1
20	670470		REAR AXLE W/LSD, 11.47:1 (INCLUDES ITEMS 21 - 63, 65 - 80, 82 - 83) (FOR VEHICLES MANUFACTURED FROM APRIL 2014).....	1
21	639859		AXLE CASE L COMPLETE (INCLUDES ITEMS 22 - 30, 42)	1
22	665887		GOVERNOR GEAR	1
23	639689		GOVERNOR SLEEVE	1
24	607904		FLAT WASHER	1
25				
26	639698		GOVERNOR GEAR SHAFT	1
27	639707		GOVERNOR SHAFT	1
28	639736		FLAT WASHER, 6MM	2
29	607911		OIL SEAL, 6 x 10 x 2.5 MM.....	1
30	607913		RETAINING RING E5	1

REAR AXLE

When ordering parts, please specify the model and serial number of the product.

* Indicates a component that is not available as an individual part.

*** Indicates consult Customer Service Department for additional information.

ITEM	PART NO.	1	2	3	4	5	DESCRIPTION	QTY.
31	639738						OIL SEAL, 24 x 40 x 9MM	2
32	26818G01						STEEL BALL	1
33	26819G01						SPRING	1
34	26831G01						GASKET, 10	1
35	26820G01						FLANGED HEX HEAD BOLT, M10 x 1.25 x 12 MM LG.....	1
36	639865						AXLE CASE R COMPLETE (INCLUDES ITEMS 31, 37 - 41)	1
37	639746						SELECT SHAFT	1
38	607915						OIL SEAL, 13 x 22 x 5MM	1
39	607916						SNAP RING, 13MM	1
40	607917						SPACER, 13 x 1MM	1
41	640093						OIL SEAL, 28 x 47 x 9MM	1
42	607919						AIR BREATHER	1
43	639747						OIL DRAIN PLUG	2
44	639748						GASKET, 14MM.....	2
45	26785G01						BALL BEARING (6204).....	2
46	665888						GOVERNOR GEAR, 34.....	1
47	607920						PIN, 6 x 12L	1
48	639750						INPUT SHAFT.....	1
49	607922						BALL BEARING (62/28).....	1
50	639868						BALL BEARING (TMB202)	2
51	639755						COUNTER SHAFT.....	1
52	640744						BALL BEARING (6006).....	1
53	639758						GEAR, 34.....	1
54	639869						KNOCK PIPE	2
55	639760						BALL BEARING (6304).....	2
56	639768						FLANGED HEX HEAD BOLT, M8 - 1.25 X 40MM LG.....	1
57	639769						GEAR, 17	1
58	28689G01						COLLAR, 24 x 7.5MM.....	1
59	639771						GEAR, 52.....	1
60	670697						CENTER SHAFT.....	1
61	639774						CLUTCH PIN.....	1

REAR AXLE

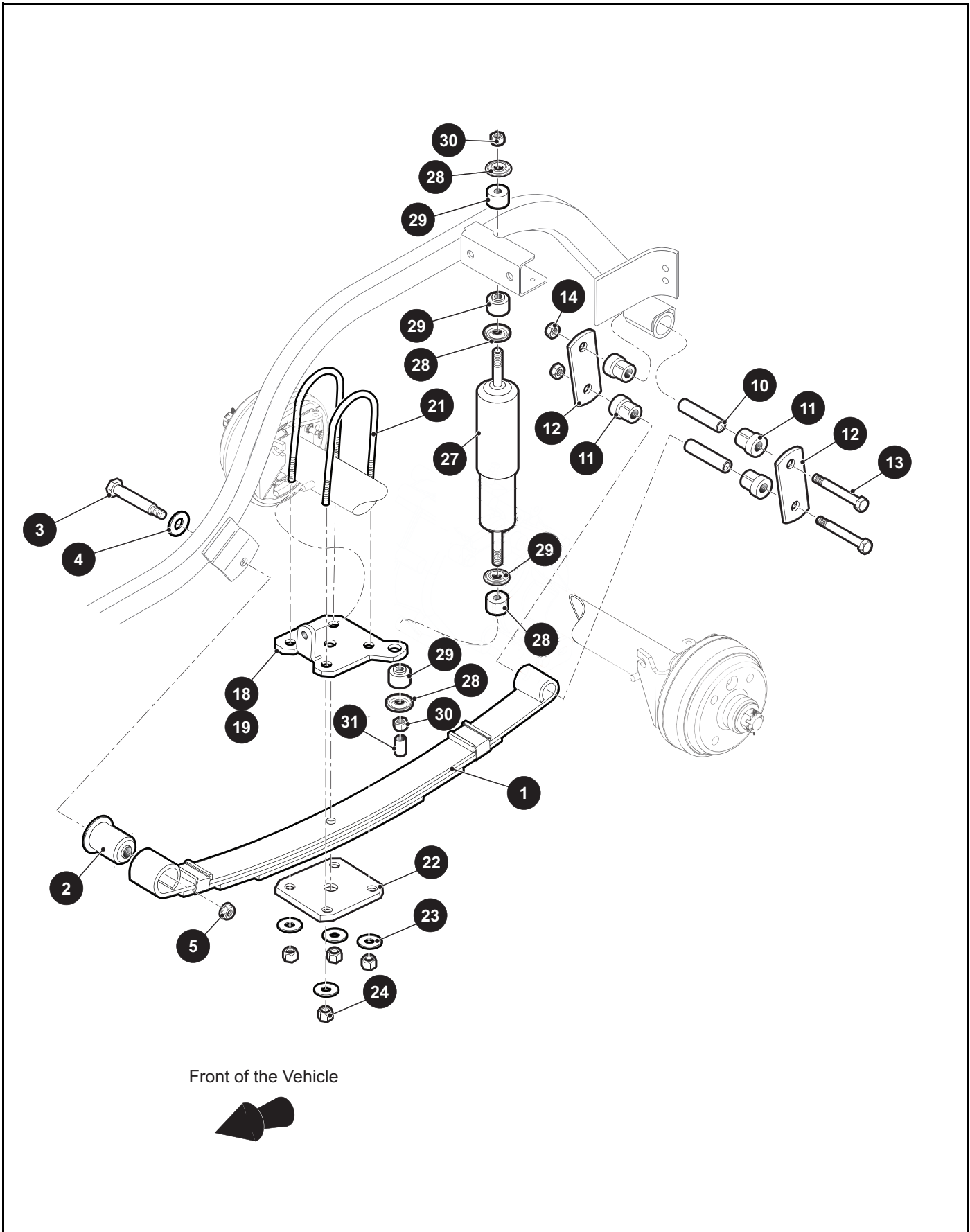
When ordering parts, please specify the model and serial number of the product.

* Indicates a component that is not available as an individual part.

*** Indicates consult Customer Service Department for additional information.

ITEM	PART NO.	1	2	3	4	5	DESCRIPTION	QTY.
62	670696						GEAR, 61	1
63	639797						SPACER, 20 x 2MM	2
64	639872						DIFFERENTIAL CASE (INCLUDES ITEMS 52, 65, 67 AND 68)	1
65	639800						DIFFERENTIAL PAIR GEAR	1
66	26808G01						HEX HEAD BOLT, M10 x 1.25 x 26 MM LG.....	6
67	28723G01						DIFFERENTIAL SHAFT	1
68	28697G01						SPRING PIN, 4 x 40L	1
69	639801						BALL BEARING (6007)	1
70	640739						GEAR, 60 COMPLETE (INCLUDES ITEM 69).....	1
71	607938						CASTLED NUT, M22 - 1.5	2
72	639876						AXLE SHAFT L COMPLETE (INCLUDES ITEM 74).....	1
73	639881						AXLE SHAFT R COMPLETE (INCLUDES ITEM 74)	1
74	639836						BALL BEARING (6205DD).....	2
75	607939						AXLE CASE L COMPLETE	1
76	607940						AXLE CASE R COMPLETE	1
77	26814G01						SNAP RING, 52MM	2
78	639839						FLANGED HEX HEAD BOLT, M8 x 1.25 x 60MM LG	9
79	639840						FLANGED HEX HEAD BOLT, M10 x 1.25 x 25MM LG	10
80	639844						SHIFT SHAFT COMPLETE.....	1
81	639847						DIFFERENTIAL ASSEMBLY (INCLUDES ITEMS 64, 66 AND 70)	1
82	640098						DIFFERENTIAL CASE W/LSD (INCLUDES ITEMS 52, 65, 67 AND 68)	1
83	639847						DIFFERENTIAL ASSEMBLY W/LSD (INCLUDES ITEMS 82, 66 AND 70).....	1

REAR SUSPENSION



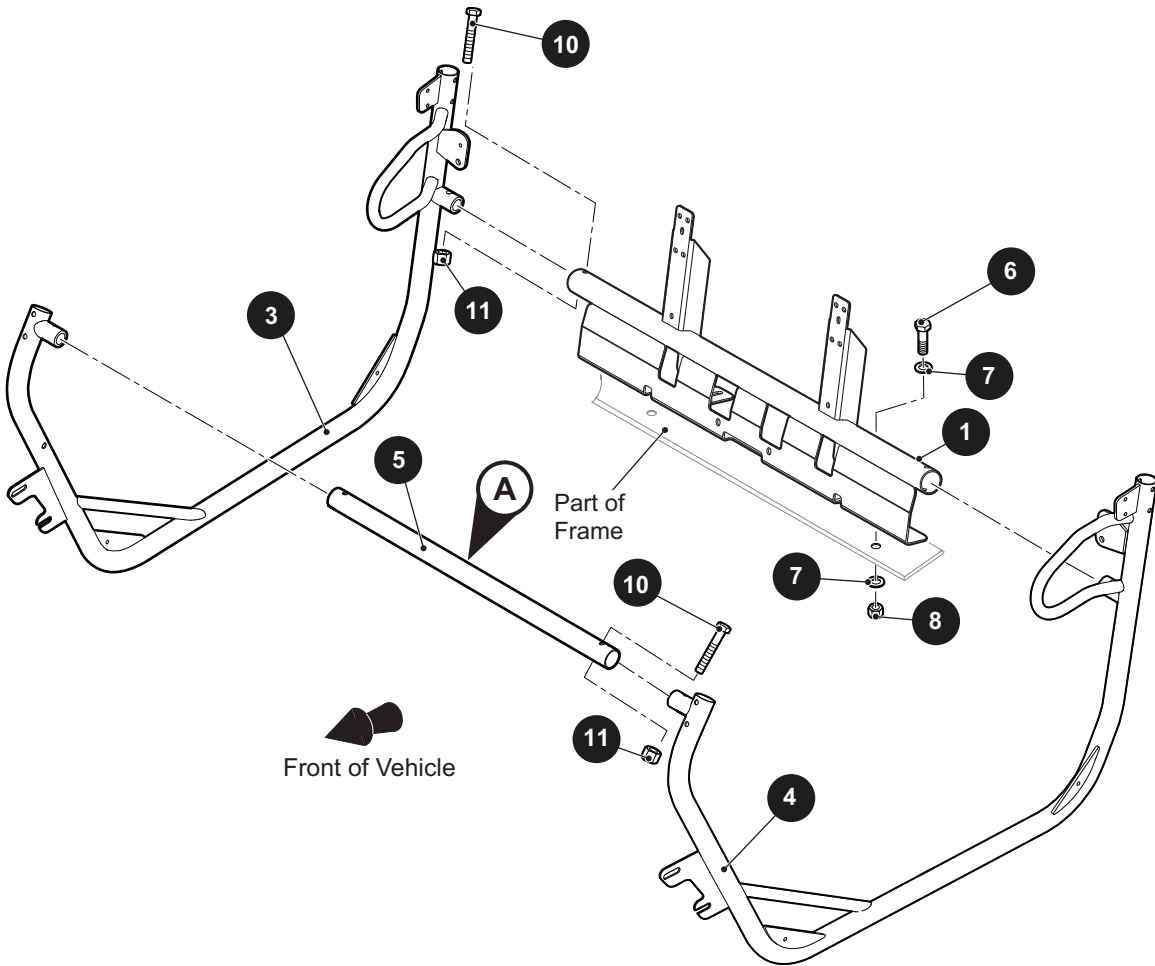
REAR SUSPENSION

When ordering parts, please specify the model and serial number of the product.

* Indicates a component that is not available as an individual part.

*** Indicates consult Customer Service Department for additional information.

ITEM	PART NO.	1 2 3 4 5	DESCRIPTION	QTY.
1	605721		HEAVY DUTY LEAF SPRING.....	2
2	605445		LEAF SPRING BUSHING, FRONT.....	2
3	00665G9		HEX HEAD BOLT (SS), 3/8" - 16 X 3.5 LG.....	2
4	00643G1		FLAT WASHER, 3/8".....	2
5	12262G1		FLANGED LOCK NUT, 3/8" - 16.....	2
6				
7				
8				
9				
10	70289G02		SPLIT STEEL SPACER	4
11	624030		FLANGED BUSHING.....	8
12	652245		SHACKLE PLATE	4
13	00665G9		HEX HEAD BOLT (SS), 3/8" - 16 X 3.5 LG.....	4
14	11098G5		LOCK NUT, 3/8" - 16.....	4
15				
16				
17				
18	605938		AXLE BRACKET, DRIVER SIDE	1
19	605958		AXLE BRACKET, PASSENGER SIDE.....	1
20				
21	32195G3		U-BOLT, 2 3/8" DIA X 5" LG	4
22	652246		REAR SUSPENSION PLATE	2
23	00643G1		FLAT WASHER, 3/8".....	8
24	11098G5		LOCK NUT, 3/8" - 16.....	8
25				
26				
27	642085		SHOCK ABSORBER.....	2
28	10435G1		SHOCK ABSORBER WASHER.....	8
29	10194G1		RUBBER BUSHING.....	8
30	00532G6		HEX NUT, 3/8" - 24	4
31	10044G01		VINYL CAP.....	2



Front of Vehicle

Part of Frame

A

13

This ROPS was tested in accordance with the requirements of ISO 3471 per ANSI/ROHVA 1

CUSHMAN

EZGO

A Textron Company 642582

Textron Specialized Vehicles
1451 Marvin Griffin Rd
Augusta, GA 30906
USA

Test GVW: 700 kgs (1545 lbs)
Vehicle Models:
Hauler 900 and 1200 G, E, XG, XE
Hauler Pro, Pro X, 4X4
E-Z-GO Terrain 250 and 1000 G, E
E-Z-GO Terrain 1500 G

WARNING

The protection offered by this ROPS will be impaired if it has been subjected to any modification or structural damage. This ROPS must be replaced after a rollover.

When ordering parts, please specify the model and serial number of the product.

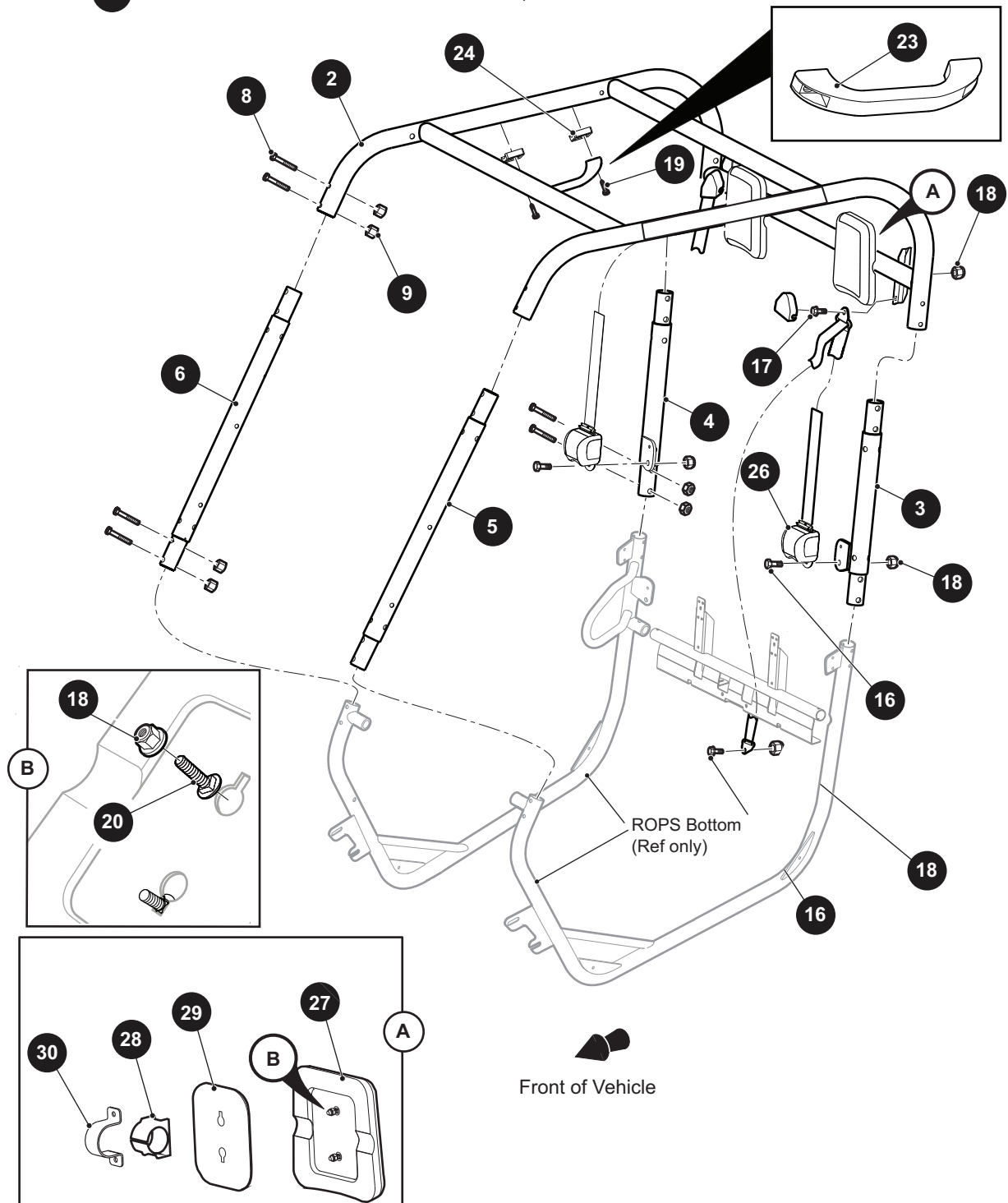
* Indicates a component that is not available as an individual part.

*** Indicates consult Customer Service Department for additional information.

ITEM	PART NO.	1 2 3 4 5	DESCRIPTION	QTY.
1	640293		ROPS SEAT SUPPORT.....	1
2				
3	640183		ROPS BOTTOM (PASSENGER SIDE).....	1
4	640182		ROPS BOTTOM (DRIVER SIDE)	1
5	629023		FRONT CROSSBAR TUBE	1
6	00427G2		HEX HEAD BOLT, 3/8" - 16 X 1 1/4" LG	4
7	00571G2		FLAT WASHER, 5/16"	8
8	11098G5		LOCK NUT, 3/8" - 16	4
9				
10	630642		HEX HEAD BOLT, 3/8" - 16 X 2 1/2" LG	4
11	630643		LOCK NUT, 3/8" - 16	4
12				
13	642582		ROPS CERTIFICATION DECAL.....	1

ROPS

- 1 ROPS UPPER KIT includes items 2 - 7
- 7 ROPS UPPER HARDWARE KIT includes items 8 - 9
- 15 ROPS ACCESSORY HARDWARE KIT includes items 16 - 20
- 22 ROPS ACCESSORY KIT includes items 15, 23 - 30



When ordering parts, please specify the model and serial number of the product.

* Indicates a component that is not available as an individual part.

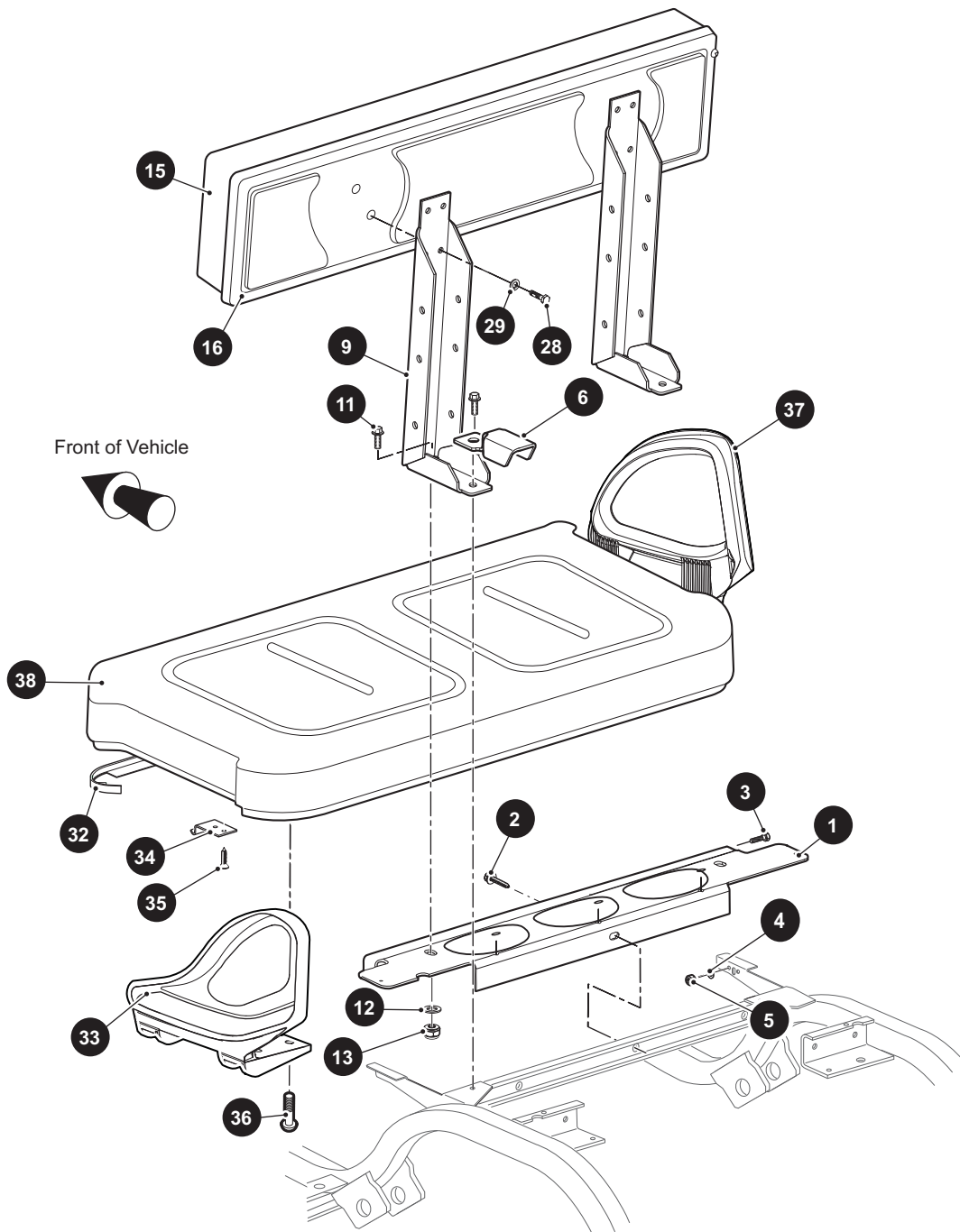
*** Indicates consult Customer Service Department for additional information.

ITEM	PART NO.	1 2 3 4 5	DESCRIPTION	QTY.
1	631578		ROPS UPPER KIT (INCLUDES ITEMS 2 - 7)	1
2	631576		ROPS TOP WELDMENT.....	1
3	629080		CONNECTOR REAR (DRIVER SIDE)	1
4	629079		CONNECTOR REAR (PASSENGER SIDE).....	1
5	629082		CONNECTOR FRONT (DRIVER SIDE).....	1
6	629081		CONNECTOR FRONT (PASSENGER SIDE)	1
7	629328		ROPS UPPER HARDWARE KIT (INCLUDES ITEMS 8 - 9).....	1
8	630642		HEX HEAD BOLT, 3/8" - 16 X 2 1/2" LG	16
9	630643		LOCK NUT, 3/8" - 16.....	16
10				
11				
12				
13				
14				
15	640434		ROPS ACCESSORY HARDWARE KIT (INCLUDES ITEMS 16 - 20)	1
16	610753		HEX HEAD BOLT, 7/16" - 20 X 1" LG	4
17	609569		HEX HEAD BOLT, 7/16" - 20 X 3/4" LG	4
18	00734G3		LOCK NUT, 7/16" - 20.....	8
19	612255		PAN HEAD TORX SCREW, 12 - 14 X 1" LG	2
20	630763		CARRIAGE BOLT (SS), 1/4" - 20 X .75" LG	4
21				
22	640436		ROPS ACCESSORIES KIT (INCLUDES ITEMS 15, 23 - 30).....	1
23	611774		GRAB HANDLE	1
24	612254		GRAB HANDLE MOUNT.....	2
25	629454		SIDE DOOR NET (PAIR) (NOT ILLUSTRATED).....	1
26	649134		SEAT BELT RETRACTOR.....	2
27	628577		HEADREST	2
28	629642		CLAMP GUARD	2
29	629666		HEADREST PLATE	2
30	627786		CLAMP	2

SEATING

14 SEAT BACK ASSEMBLY Includes Items 15 -16

30 SEAT BOTTOM ASSEMBLY Includes Items 32 - 38



When ordering parts, please specify the model and serial number of the product.

* Indicates a component that is not available as an individual part.

*** Indicates consult Customer Service Department for additional information.

ITEM	PART NO.	1 2 3 4 5	DESCRIPTION	QTY.
1	71262G03		SEAT BACK SUPPORT	1
2	00715G2		BOLT, 5/16" - 18 X 13/16" LG	1
3	00438G8		BOLT, 5/16" - 18 X 3/4" LG	2
4	00642G8		FLAT WASHER, 5/16"	2
5	11098G6		LOCK NUT, 5/16" - 18.....	2
6	652444G03		BED BUMPER BRACKET	2
7				
8				
9	624486		SEAT BACK SUPPORT BRACKET	2
10				
11	00427G2		BOLT, 3/8" - 16 X 1 1/4" LG	4
12	00560G1		WASHER, 3/8"	2
13	11098G5		LOCK NUT, 3/8" - 16.....	2
14	***		SEAT BACK ASSEMBLY (INCLUDES ITEMS 15 - 16) 71274G04 GRAY 71274G03 WHITE 71274G02 TAN 71274G01 OYSTER	
15	***		BACK REST COVER 18144G5 GRAY 18144G2 WHITE 18144G4 TAN 18144G6 OYSTER	
16	74889G01		PLASTIC SEAT BACK COVER	1
17				
18				
19				
20				
21				
22				
23				
24				
25				
26				

SEATING

When ordering parts, please specify the model and serial number of the product.

* Indicates a component that is not available as an individual part.

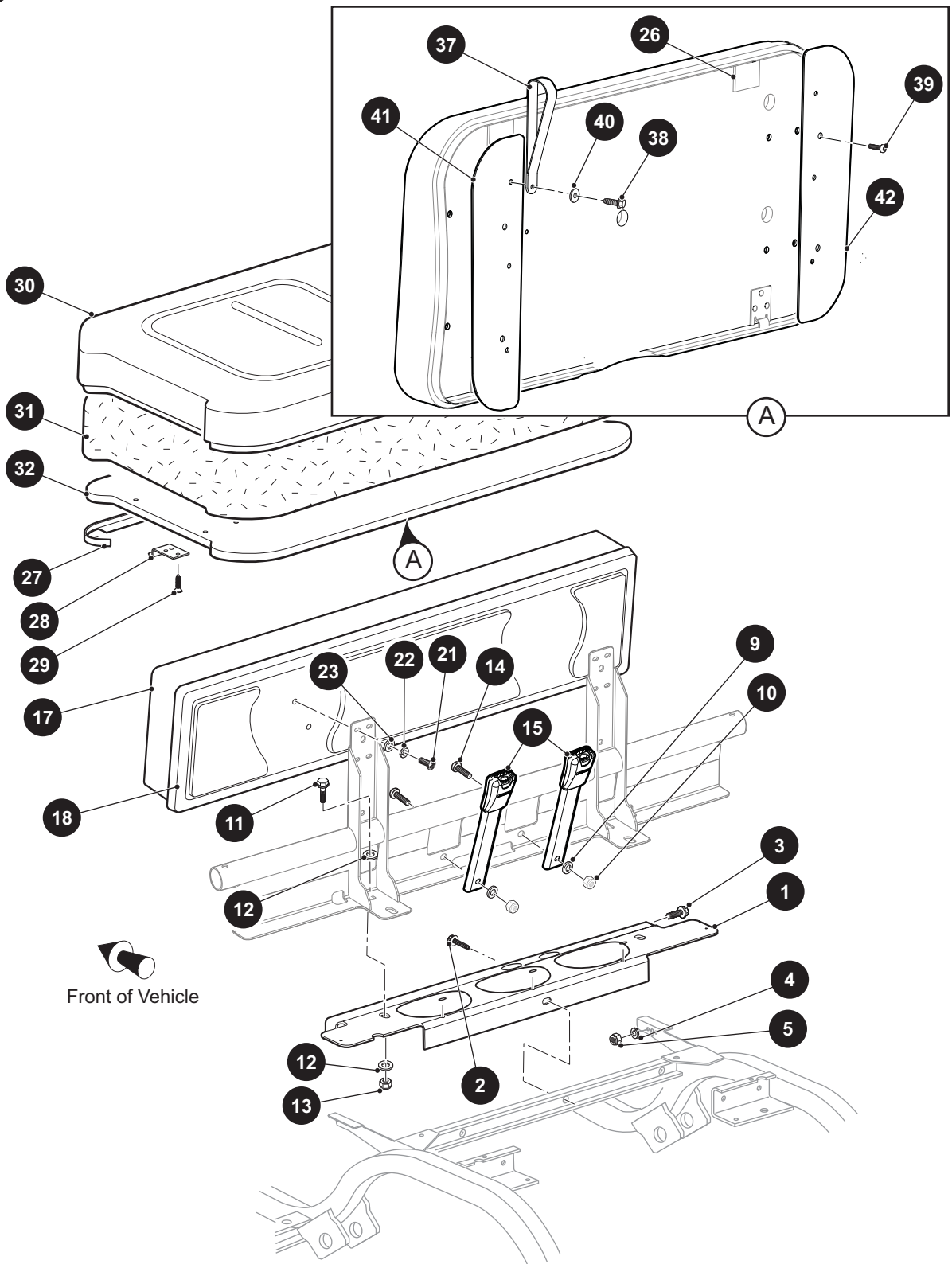
*** Indicates consult Customer Service Department for additional information.

ITEM	PART NO.	1	2	3	4	5	DESCRIPTION	QTY.
27								
28	605056						SCREW HEX HEAD W/PATCH LOCK, 1/4" - 20 X 1"	4
29	00664G7						LOCK WASHER (SS), 1/4"	4
30	***						SEAT BOTTOM ASSEMBLY (INCLUDES ITEMS 32 - 38) 629269G0105 WHITE 629269G0103 TAN 629269G0101 OYSTER 629269G0104 GRAY	
31								
32	71012G01						VINYL TRIM (SEAT BOTTOM)	1
33	617645						HIP RESTRAINT (DRIVER SIDE)	1
34	71610G01						SEAT HINGE.....	2
35	00720G08						PHILLIPS FLAT HEAD SCREW, #12 - 14 X 1" LG.....	6
36	615417						BUTTON HEAD TORX BOLT, M10 - 1.5 X 25MM LG	8
37	617644						HIP RESTRAINT (PASSENGER SIDE).....	1
38	***						SEAT BOTTOM COVER 71602G01 WHITE 71602G04 TAN 71602G03 OYSTER 71602G02 GRAY	

SEATING

16 SEAT BACK ASSEMBLY (BLACK) includes items 17, 18

25 SEAT BOTTOM ASSEMBLY (BLACK) includes items 26 - 34



When ordering parts, please specify the model and serial number of the product.

* Indicates a component that is not available as an individual part.

*** Indicates consult Customer Service Department for additional information.

ITEM	PART NO.	1 2 3 4 5	DESCRIPTION	QTY.
1	71262G03		SEAT BACK SUPPORT	1
2	00715G2		FLANGED HEX HEAD BOLT, 5/16" - 18 X .8" LG	1
3	00438G8		HEX HEAD BOLT, 5/16" - 18 X 1" LG	2
4	00642G8		LOCK WASHER, 5/16"	2
5	11098G6		LOCK NUT, 5/16" - 18.....	2
6				
7				
8				
9	00560G3		FLAT WASHER, 1/2"	2
10	00734G3		LOCK NUT, 7/16" - 20.....	2
11	00427G2		FLANGED HEX HEAD BOLT, 3/8" - 16 X 1 1/4" LG	4
12	00571G2		LOCK WASHER, 5/16"	8
13	11098G5		LOCK NUT, 3/8" - 16.....	4
14	635630		BUTTON HEAD TORX BOLT, 7/16" - 20 x 1 1/4" LG	2
15	631973		BUCKLE AND BRACKET ASSEMBLY.....	2
16	71274G02		SEAT BACK ASSEMBLY (BLACK) (INCLUDES ITEMS 17, 18).....	1
17	18144G3		VINYL COVER.....	1
18	74889G01		SEAT BACK COVER (PLASTIC)	1
19				
20				
21	16705G1		HEX HEAD BOLT (WITH PATCH LOCK), 1/4" - 20 X 1" LG.....	4
22	01110G01		FLAT WASHER (SS), 1/4".....	4
23	00664G7		LOCK WASHER (SS), 1/4"	4
24				
25	629269G1306		SEAT BOTTOM ASSEMBLY (BLACK) (INCLUDES ITEMS 26 - 34).....	1
26	17074G1		SOILING SLAB (NOT ILLUSTRATED).....	2
27	71012G01		VINYL TRIM (SEAT BOTTOM).....	1
28	71610G01		SEAT HINGE	1
29	00720G08		FLAT HEAD PHILLIPS SCREW, #12 - 14 X 1" LG.....	3
30	615169		VINYL SEAT BOTTOM COVER (BLACK).....	1
31	605503		SEAT BOTTOM PADDING (FOAM)	1

SEATING

When ordering parts, please specify the model and serial number of the product.

* Indicates a component that is not available as an individual part.

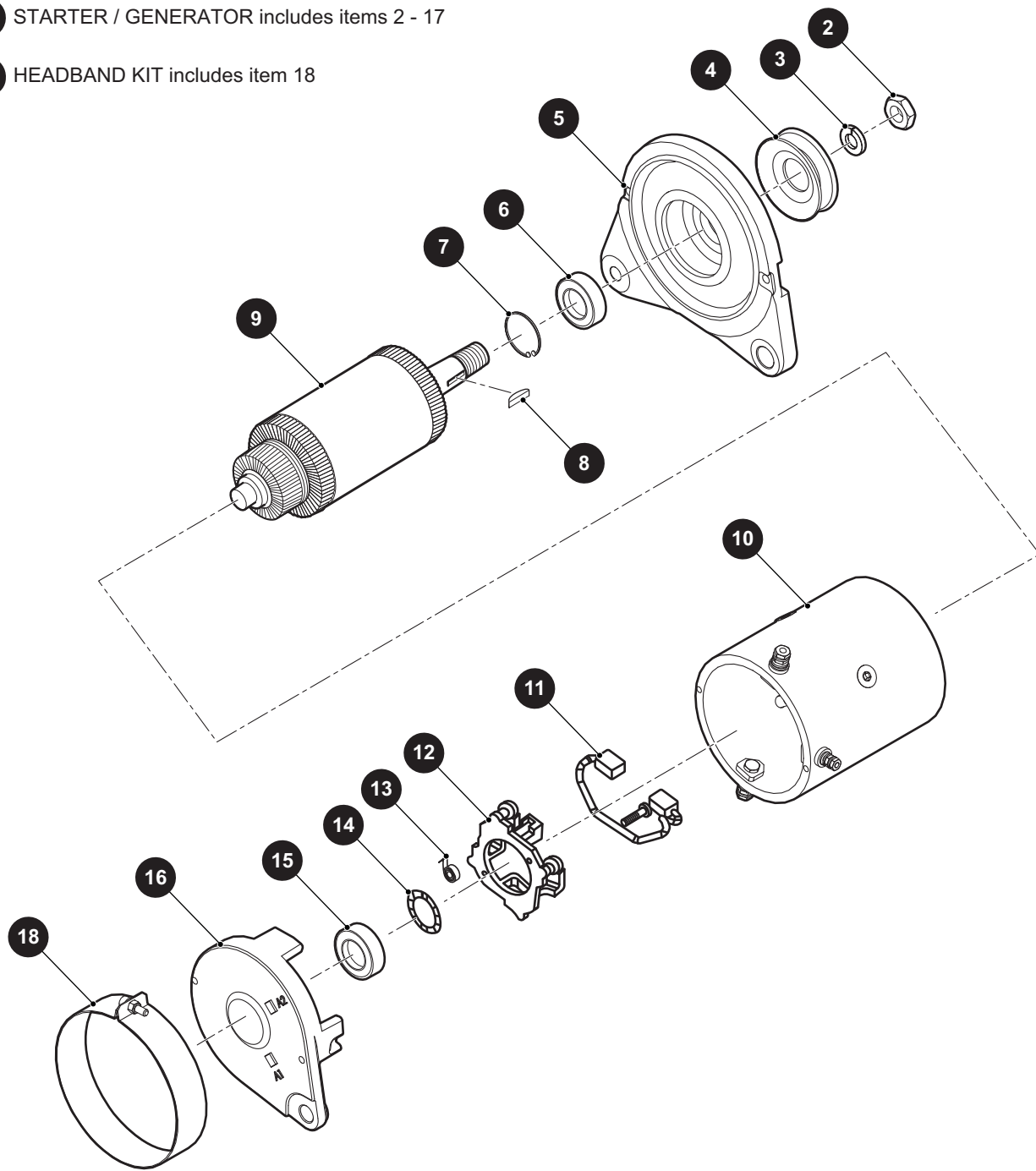
*** Indicates consult Customer Service Department for additional information.

ITEM	PART NO.	1	2	3	4	5	DESCRIPTION	QTY.
32	645492						SEAT BOTTOM.....	1
33	23222G1						FLAT STAPLE, 3/8" (NOT ILLUSTRATED).....	AR
34	23223G1						FLAT STAPLE (NOT ILLUSTRATED)	AR
35								
36								
37	617402						SEAT STRAP.....	1
38	71398G01						FLANGED HEX HEAD SCREW, 1/4" - 20 X 1 1/4" LG	1
39	615417						BUTTON HEAD TORX BOLT, M10 - 1.5 X 25MM LG	4
40	16469G1						FENDER WASHER, 1/4"	1
41	640674G01						SEAT SIDE COVER (DRIVER SIDE).....	1
42	640674G02						SEAT SIDE COVER (PASSENGER SIDE)	1

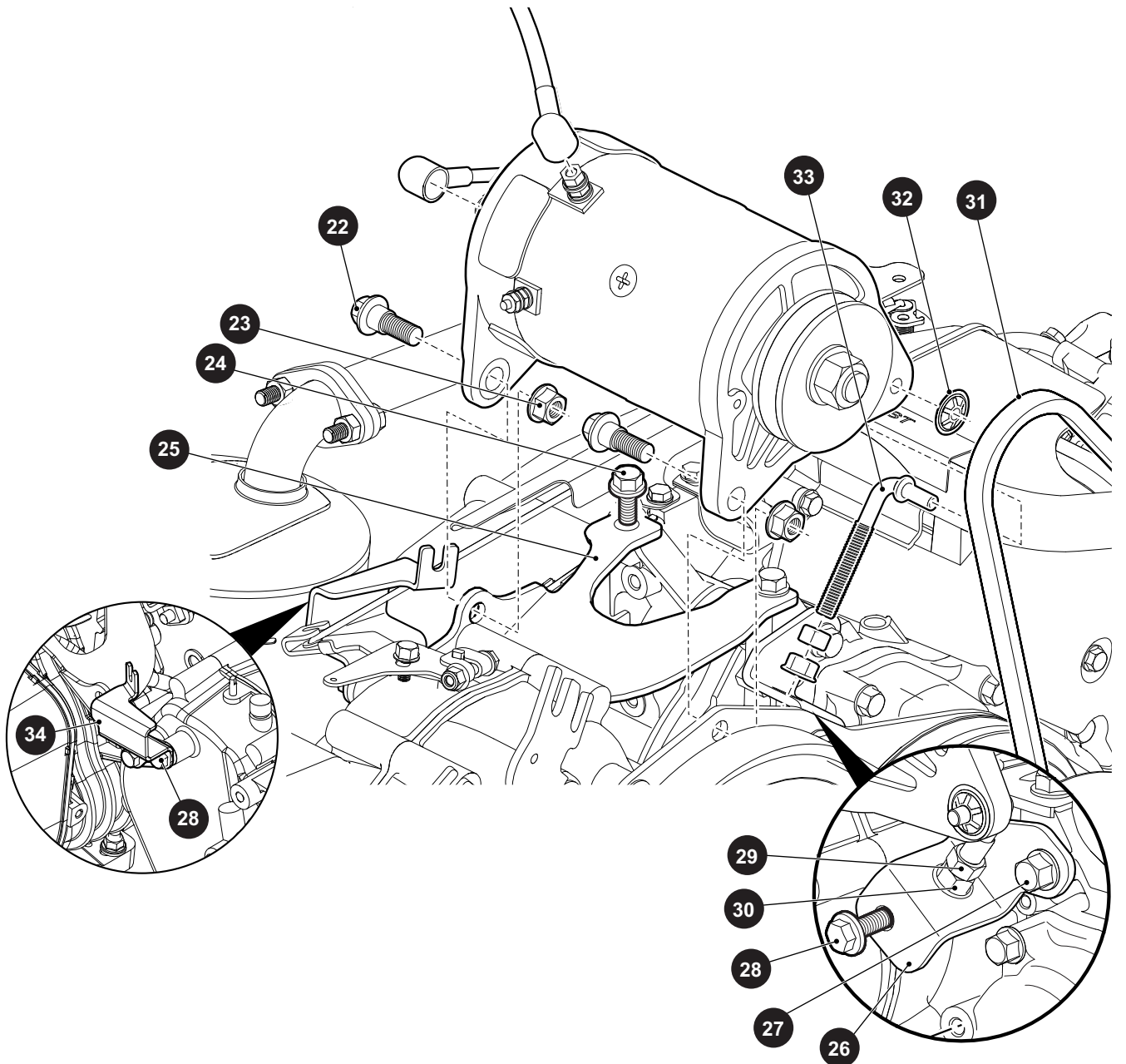
STARTER GENERATOR

1 STARTER / GENERATOR includes items 2 - 17

17 HEADBAND KIT includes item 18

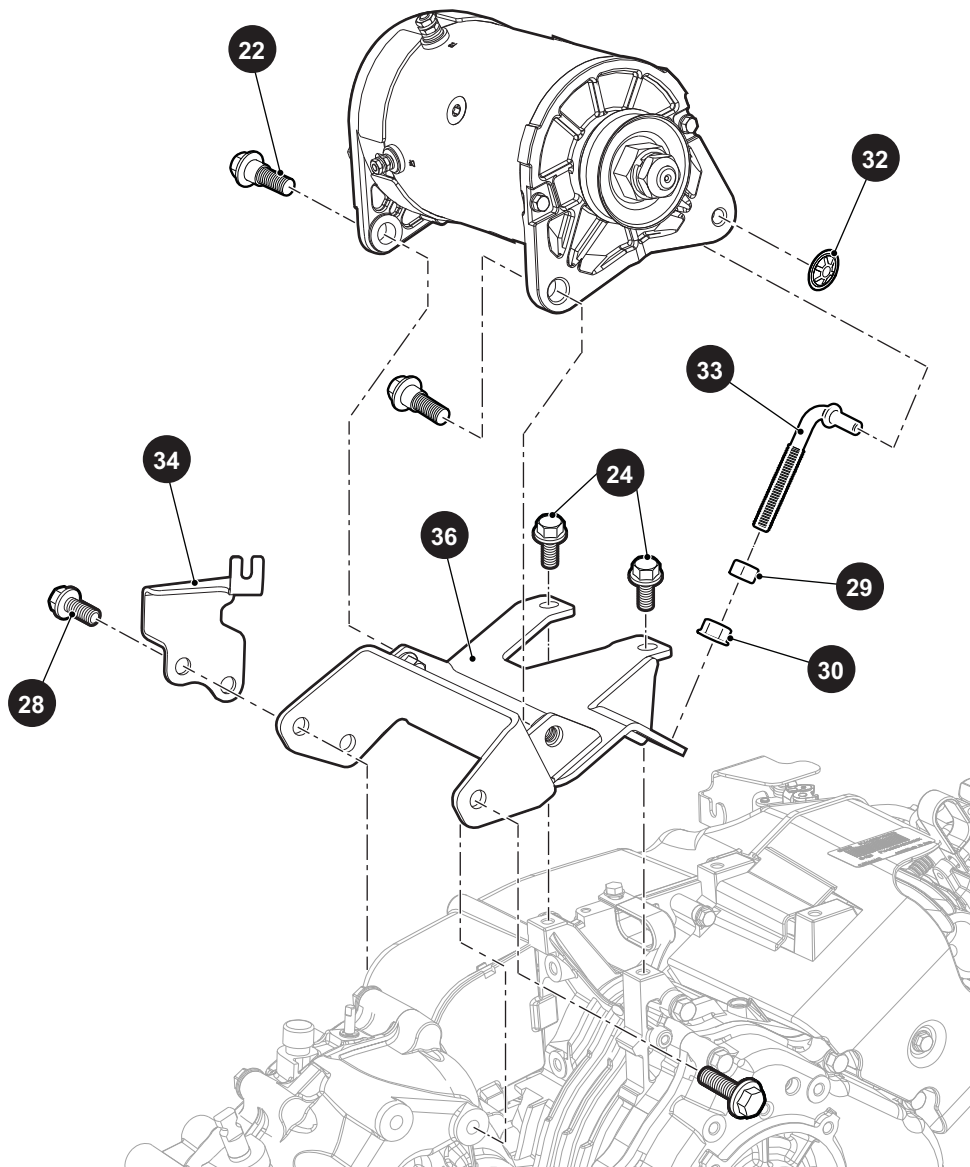


STARTER GENERATOR



STARTER GENERATOR

FOR VEHICLES MANUFACTURED FROM APRIL 2014



STARTER GENERATOR

When ordering parts, please specify the model and serial number of the product.

* Indicates a component that is not available as an individual part.

*** Indicates consult Customer Service Department for additional information.

ITEM	PART NO.	1 2 3 4 5	DESCRIPTION	QTY.
1	660379		STARTER / GENERATOR (INCLUDES ITEMS 2 - 17)	1
2	612029		HEX NUT	1
3	612030		LOCK WASHER	1
4	625716		PULLEY, 2.5" O.D.	1
5	654715		DRIVE END HEAD	1
6	612033		BEARING	1
7	612034		RETAINING RING	1
8	612035		WOODRUFF KEY	1
9	612036		ARMATURE ASSEMBLY	1
10	654716		FRAME AND FIELD ASSEMBLY	1
11	612038		BRUSH LEAD AND TERMINAL PACKAGE	1
12	654717		BRUSH BOX ASSEMBLY	1
13	656659		BRUSH SPRING	4
14	612043		WAVY WASHER	1
15	612044		BEARING	1
16	612045		COMMUTATOR END HEAD	1
17	658172		HEADBAND KIT (INCLUDES ITEM 18)	1
18	654718		HEADBAND	1
19				
20				
21				
22	606235		FLANGED HEX BOLT, M10 - 1.25 X 20MM LG	2
23	606279		HEX NUT, M10 - 1.25	2
24	606261		HEX HEAD BOLT, M8 - 1.25 X 20MM LG	3
25	602141		STARTER / GENERATOR BRACKET	1
26	602145		TENSIONER BRACKET	1
27	606261		HEX HEAD BOLT, M8 - 1.25 X 20MM LG	1
28	606256		HEX HEAD BOLT, M10 - 1.25 X 25MM LG	9
29	606255		HEX JAM NUT, M10 - 1.25	1
30	606274		HEX FLANGE NUT, M10 - 1.25	1
31	630587		STARTER / GENERATOR BELT	1

STARTER GENERATOR

When ordering parts, please specify the model and serial number of the product.

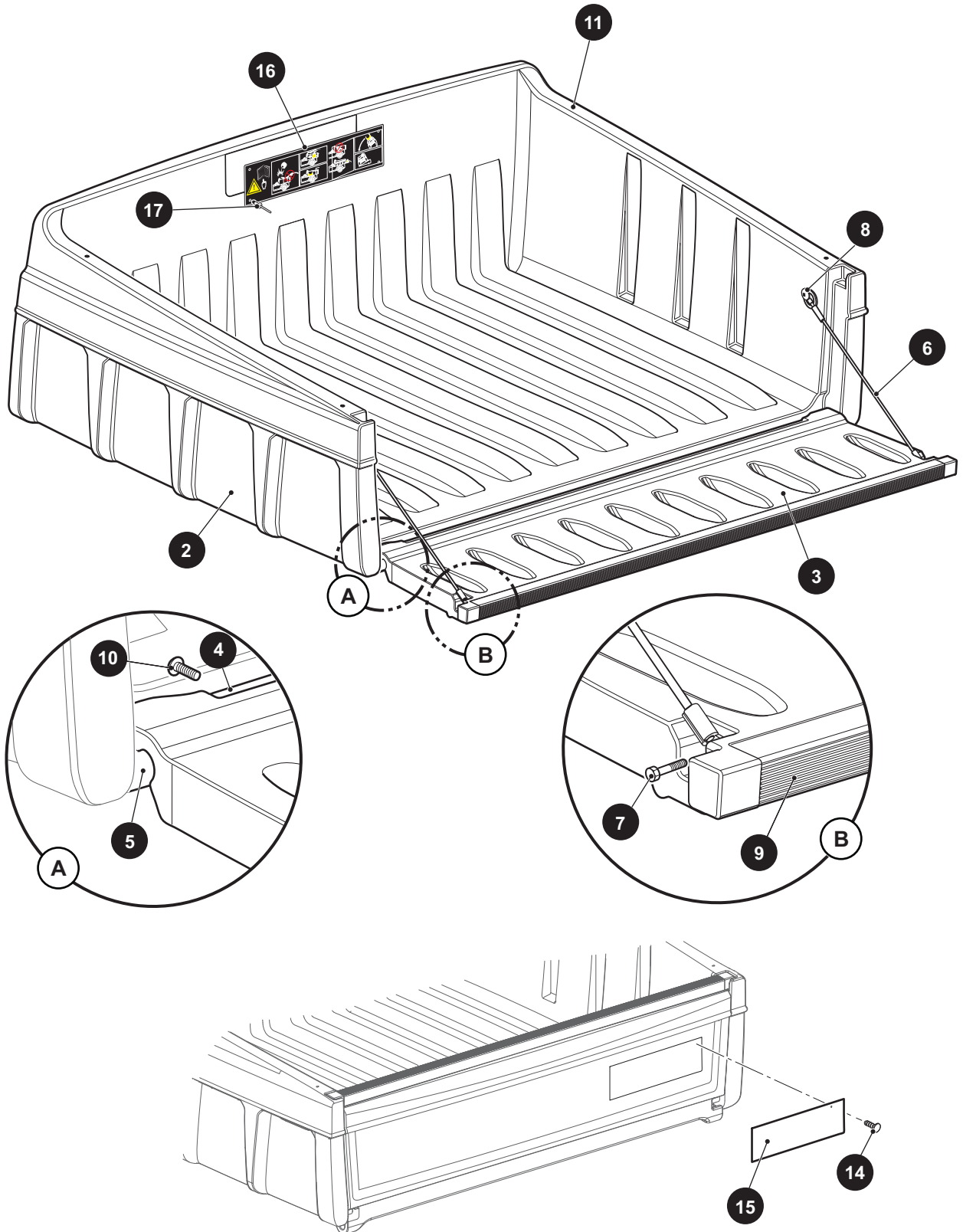
* Indicates a component that is not available as an individual part.

*** Indicates consult Customer Service Department for additional information.

ITEM	PART NO.	1 2 3 4 5	DESCRIPTION	QTY.
32	12064G6		PUSH NUT, 5/16"	1
33	629763		TENSIONER BOLT.....	1
34	603884		CABLE GUIDE BRACKET	1
35				
36	631972		STARTER / GENERATOR SUPPORT BRACKET (FOR VEHICLES MANUFACTURED FROM APRIL 2014)	1

TRUCK BED - PLASTIC

1 36" PLASTIC BED ASSEMBLY includes items 2 - 11



TRUCK BED - PLASTIC

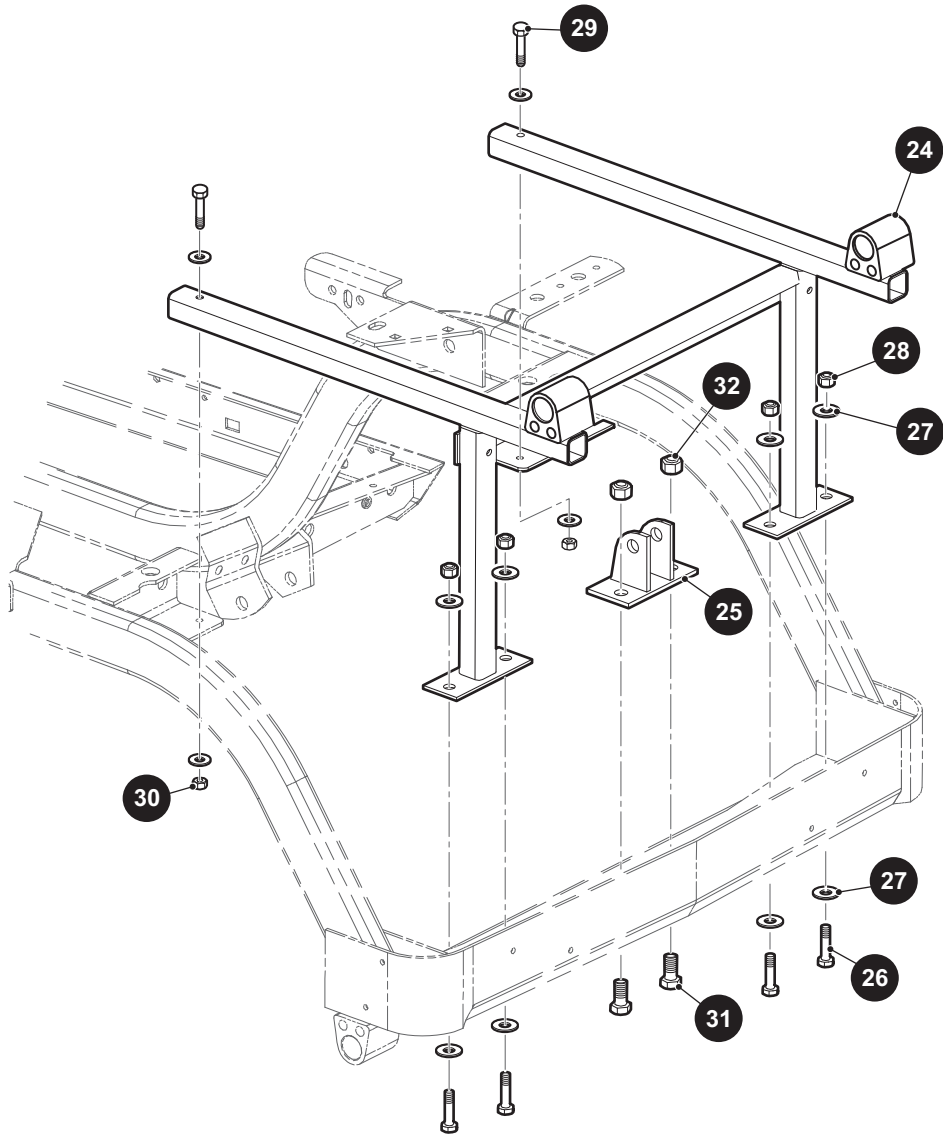
When ordering parts, please specify the model and serial number of the product.

* Indicates a component that is not available as an individual part.

*** Indicates consult Customer Service Department for additional information.

ITEM	PART NO.	1 2 3 4 5	DESCRIPTION	QTY.
1	72647G01		36" PLASTIC TRUCK BED ASSEMBLY (INCLUDES ITEMS 2 - 11).....	1
2	72648G01		36" PLASTIC BED	1
3	72649G01		36" PLASTIC TAILGATE.....	1
4	73450G01		BOWED ANGLE	1
5	73454G01		PIVOT SHAFT	2
6	73455G02		TAILGATE CABLE ASSEMBLY	2
7	00415G2		HEX HEAD BOLT, 1/4" - 20 X 1 1/4" LG.....	2
8	73460G01		SHOULDER BOLT, 1/4" - 20 X 3/4" LG	2
9	73449G01		TAILGATE CAP	1
10	16705G2		PAN HEAD PHILLIPS SCREW, 1/4" - 2 X 5/8" LG.....	4
11	16816G5		RACHET FASTENER.....	4
12				
13				
14	16812G2		RATCHET FASTENER	2
15	619207		LABEL CUSHMAN HAULER	2
16	74821G05		BED CAPACITY LABEL (250 LB)	1
17	71055G01		RIVET (ALUMINUM), 3/16".....	5
18				
19				
20				
21				
22				
23				

TRUCK BED - PLASTIC



TRUCK BED - PLASTIC

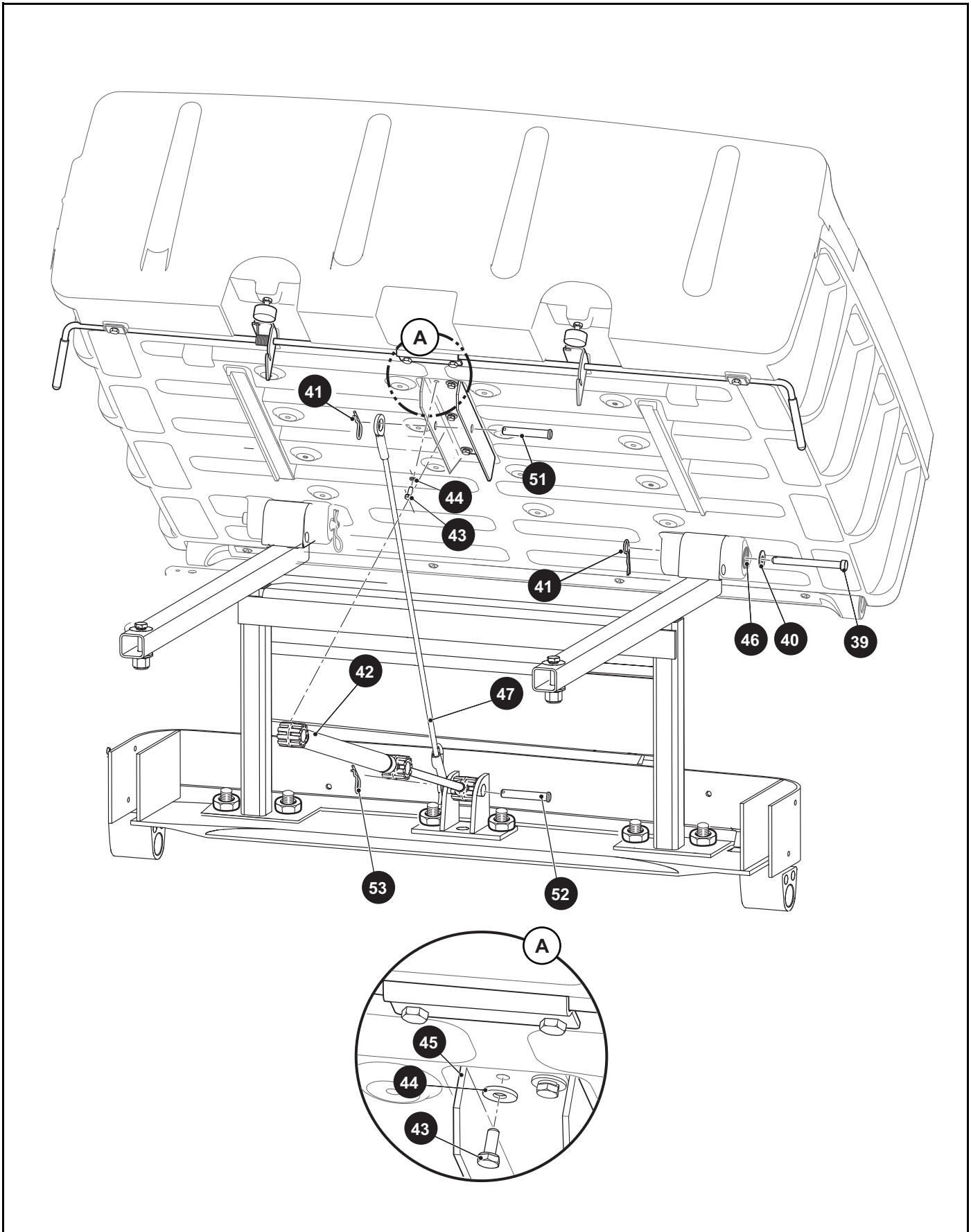
When ordering parts, please specify the model and serial number of the product.

* Indicates a component that is not available as an individual part.

*** Indicates consult Customer Service Department for additional information.

ITEM	PART NO.	1 2 3 4 5	DESCRIPTION	QTY.
24	76423G01		TRUCK BED FRAME.....	1
25	71283G02		ELECTRIC LIFT BRACKET	1
26	00439G2		HEX HEAD BOLT, 5/16" - 18 X 1 1/4" LG	4
27	00642G8		FLAT WASHER, 5/16"	8
28	11098G6		LOCK NUT, 5/16"- 18.....	2
29	00415G6		HEX HEAD BOLT, 1/4" - 20 X 1 3/4" LG	2
30	14390G4		LOCK NUT, 1/4" - 20.....	2
31	00462G7		HEX HEAD BOLT, 7/16" - 14 X .875" LG	2
32	00734G1		LOCK NUT, 7/16" - 14.....	2
33				
34				
35				
36				
37				
38				

TRUCK BED - PLASTIC



TRUCK BED - PLASTIC

When ordering parts, please specify the model and serial number of the product.

* Indicates a component that is not available as an individual part.

*** Indicates consult Customer Service Department for additional information.

ITEM	PART NO.	1 2 3 4 5	DESCRIPTION	QTY.
39	71571G01		CLEVIS PIN, .50" X 5.25"	2
40	00571G5		FLAT WASHER, 5/16"	2
41	21683G1		COTTER PIN, 15/32" X 2 13/16"	2
42	71537G02		GAS SPRING	1
43	01118G01		HEX HEAD BOLT WITH PATCHLOCK, 1/4" - 20 X .62" LG	8
44	00642G7		FLAT WASHER, 1/4"	8
45	71569G02		GAS SPRING CHANNEL	1
46	624030		FLANGED BUSHING	4
47	602904		CABLE ASSEMBLY	1
48				
49				
50				
51	14443G10		CLEVIS PIN, .50 X 3"	1
52	14443G12		CLEVIS PIN, 1/2" X 1 3/4"	1
53	21683G1		HAIR CLIP	1
54				
55				
56				

TRUCK BED - PLASTIC

When ordering parts, please specify the model and serial number of the product.

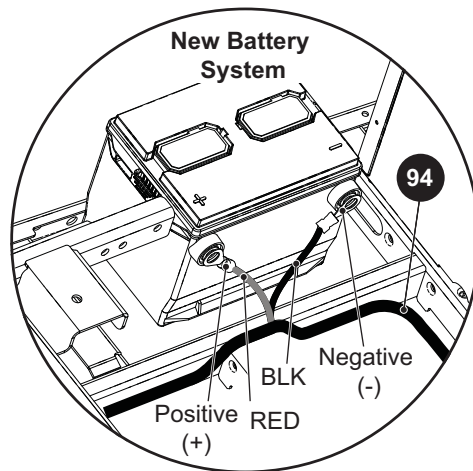
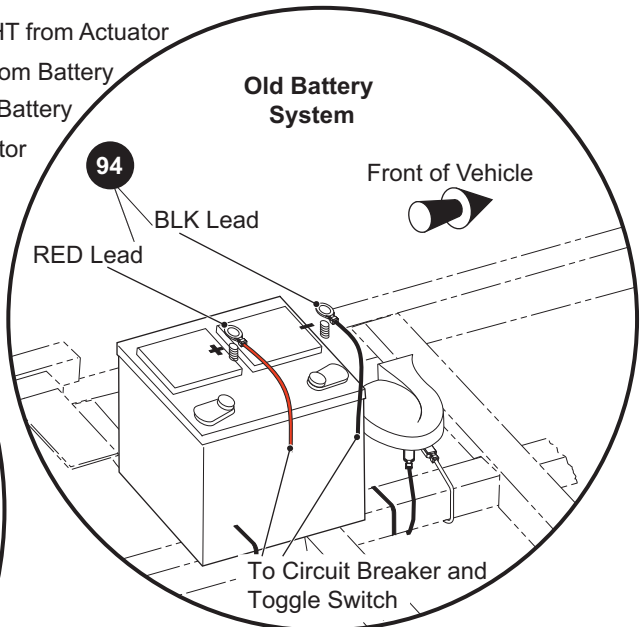
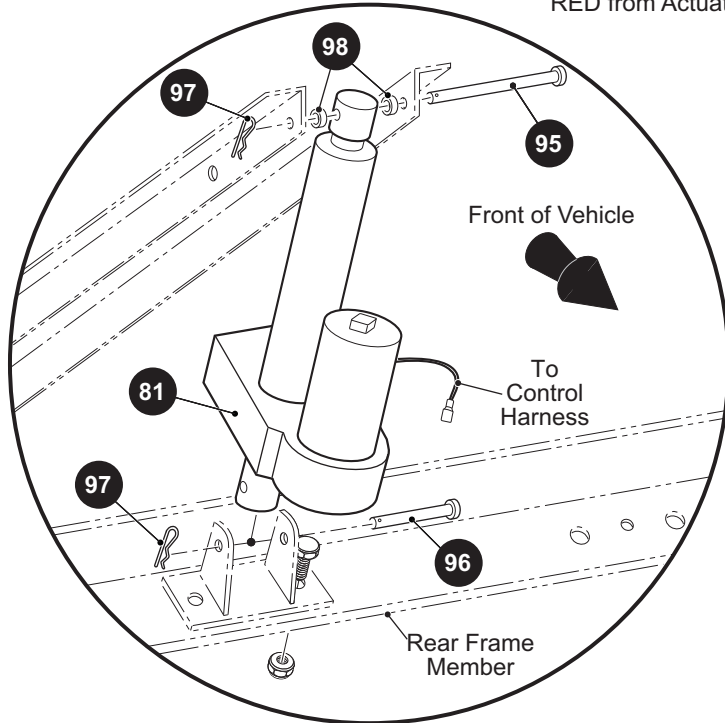
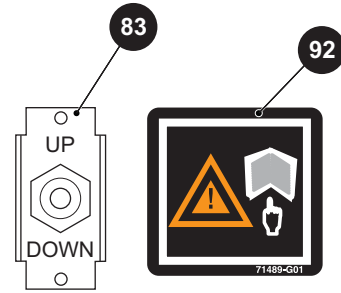
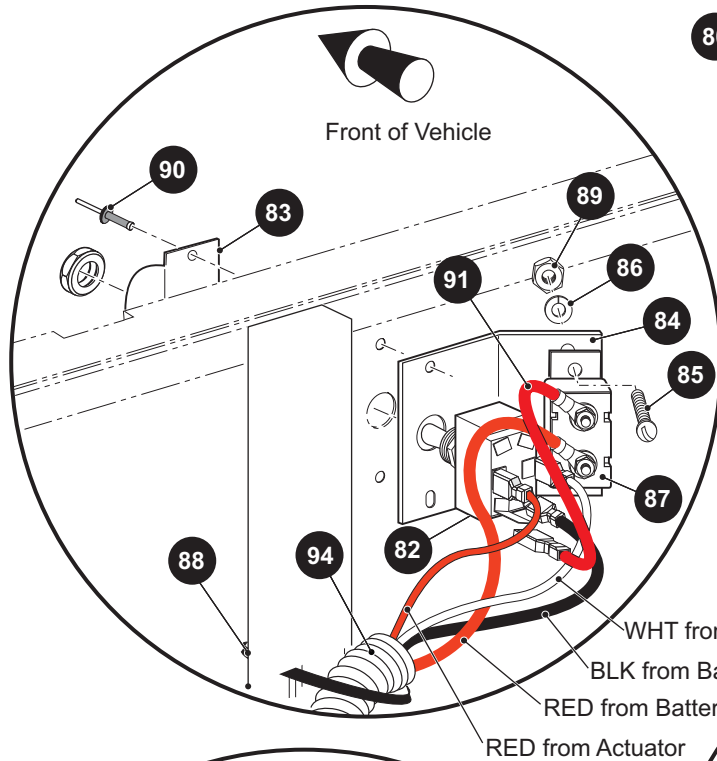
* Indicates a component that is not available as an individual part.

*** Indicates consult Customer Service Department for additional information.

ITEM	PART NO.	1 2 3 4 5	DESCRIPTION	QTY.
57	74962G01		BED LATCH WELDMENT.....	1
58	652440G03		BRACKET	1
59	652442G03		LATCH PLATE	2
60	71538G01		TORSION SPRING	1
61				
62				
63	01118G01		HEX HEAD CAP SCREW, 1/4" - 2 X 5/8" LG	4
64	71704G01		HANDLE GRIP.....	2
65	70113G01		ADJUSTABLE BUMPER.....	2
66	11027G1		LOCK NUT, 5/16" - 18.....	2
67	652444G03		BUMPER BRACKET.....	2
68				
69				
70	602977		LATCH PLATE (DRIVER SIDE).....	1
71	602978		LATCH PLATE (PASSENGER SIDE).....	1
72	01014G03		CARRIAGE BOLT, 1/4" - 20 X .75" LG.....	4
73	00559G7		FLAT WASHER, 1/4".....	4
74	14390G4		LOCK NUT, 1/4" - 20.....	4

TRUCK BED - PLASTIC

80 ELECTRIC DUMP KIT includes items 81 - 98



TRUCK BED - PLASTIC

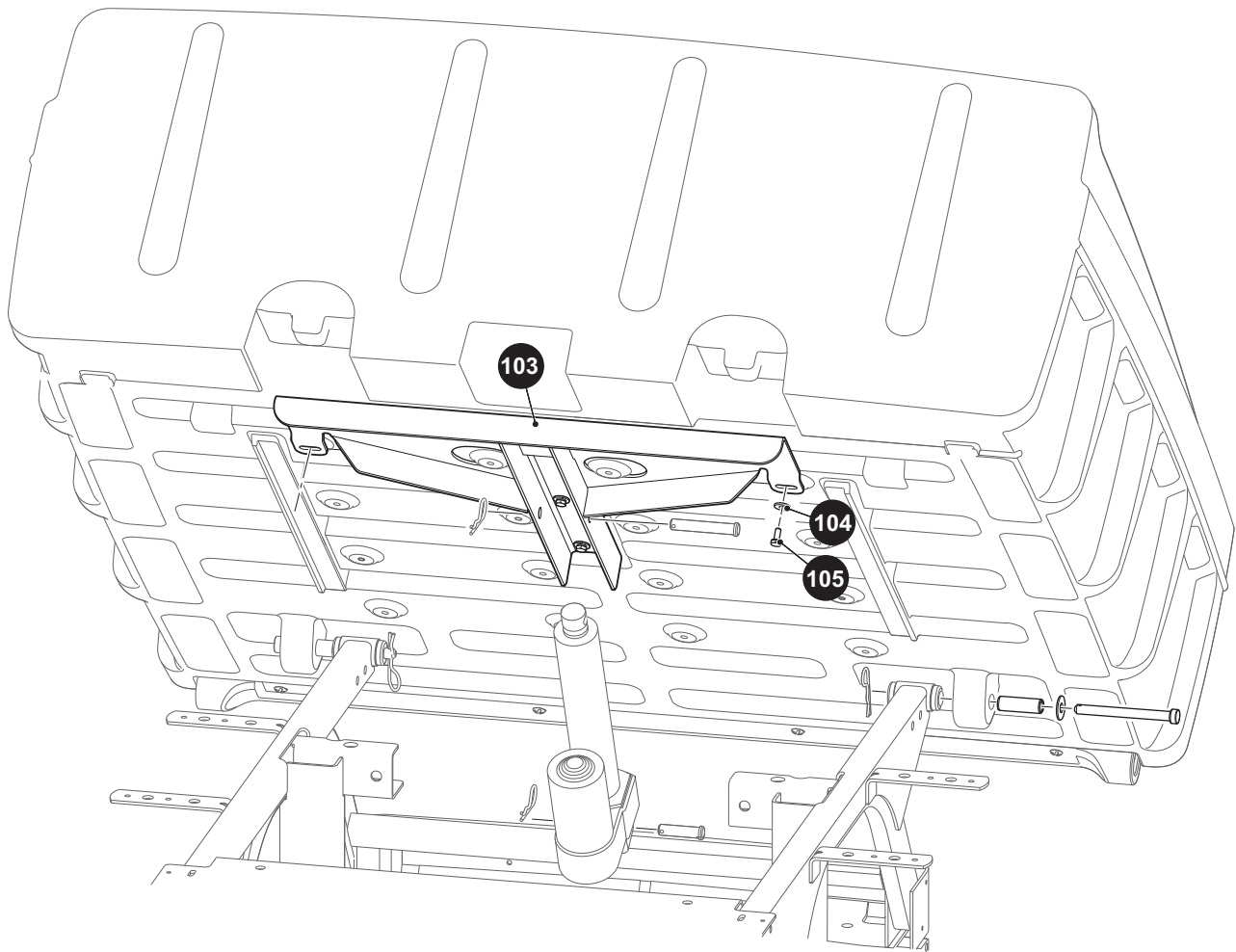
When ordering parts, please specify the model and serial number of the product.

* Indicates a component that is not available as an individual part.

*** Indicates consult Customer Service Department for additional information.

ITEM	PART NO.	1 2 3 4 5	DESCRIPTION	QTY.
80	74164G04		ELECTRIC DUMP KIT (INCLUDES ITEMS 81 - 98)	1
81	27612G02		ELECTRIC ACTUATOR	1
82	27680G01		TOGGLE SWITCH.....	1
83	27447G01		TOGGLE GUARD.....	1
84	74165G02		CIRCUIT BREAKER MOUNTING BRACKET	1
85	00150G4		ROUND HEAD SLOTTED SCREW, #10 - 24 X 3/8" LG	2
86	00565G5		LOCK WASHER, #10	2
87	21320G3		CIRCUIT BREAKER 15A, 24V	1
88	17618G1		WIRE TIE.....	8
89	00526G3		HEX NUT, #8 - 32	2
90	10570G9		RIVET (ALUMINUM), 1/8" X 11/32"	2
91	25976G14		14 GA WIRE ASSEMBLY (RED 5")	1
92	71489G01		DECAL.....	1
93				
94	651950		WIRE HARNESS, ELECTRIC DUMP.....	1
95	14443G10		CLEVIS PIN, .50" X 3"	1
96	14443G11		CLEVIS PIN, .50" X 1.92"	1
97	21683G1		COTTER PIN, 15/32" X 2 13/16"	2
98	27613G01		SPACER, .75" O.D. X .50" I.D.	2
99				
100				
101				
102				

TRUCK BED - PLASTIC



TRUCK BED - PLASTIC

When ordering parts, please specify the model and serial number of the product.

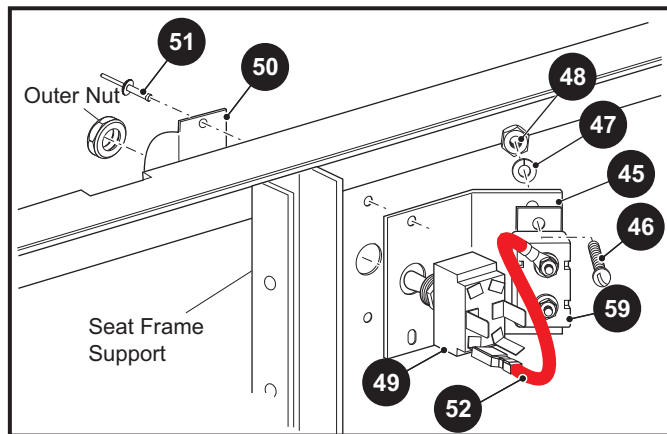
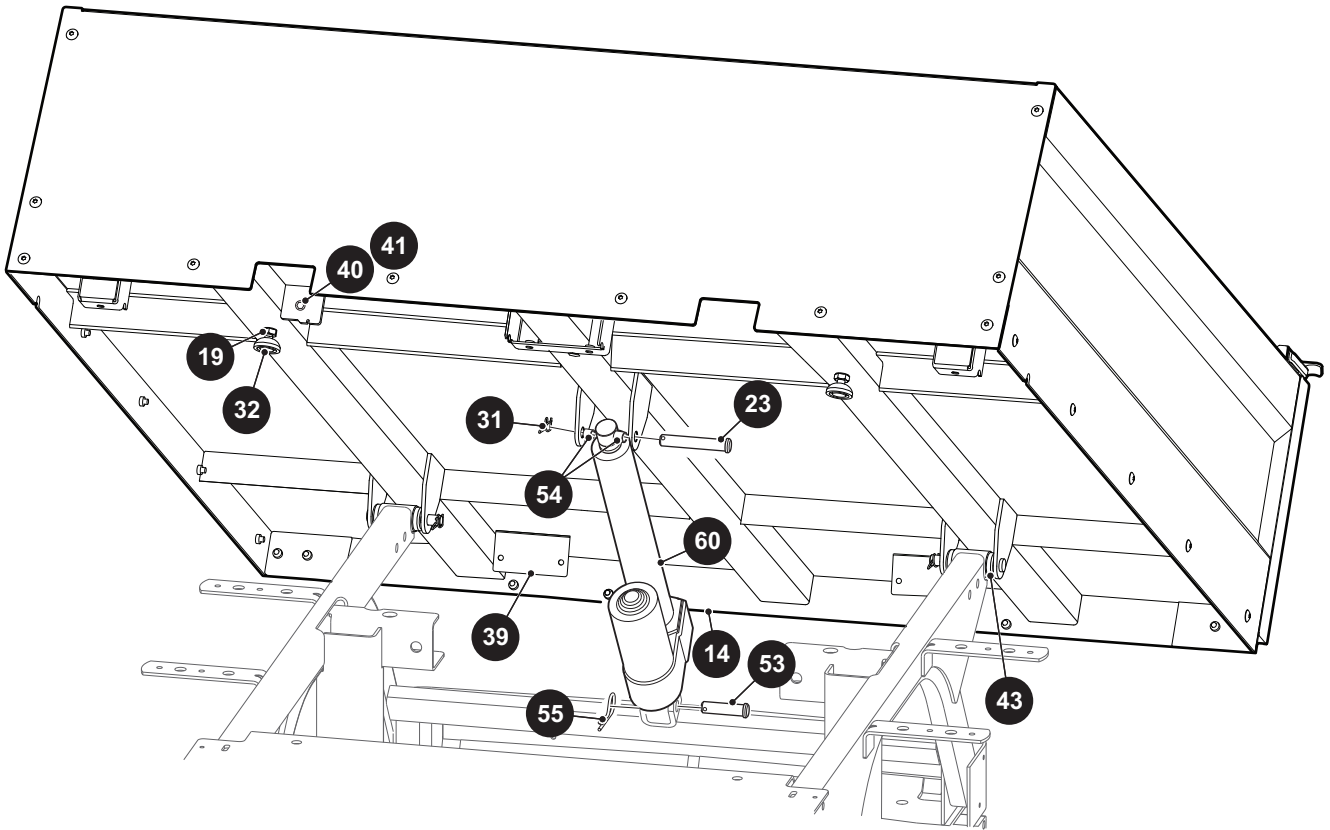
* Indicates a component that is not available as an individual part.

*** Indicates consult Customer Service Department for additional information.

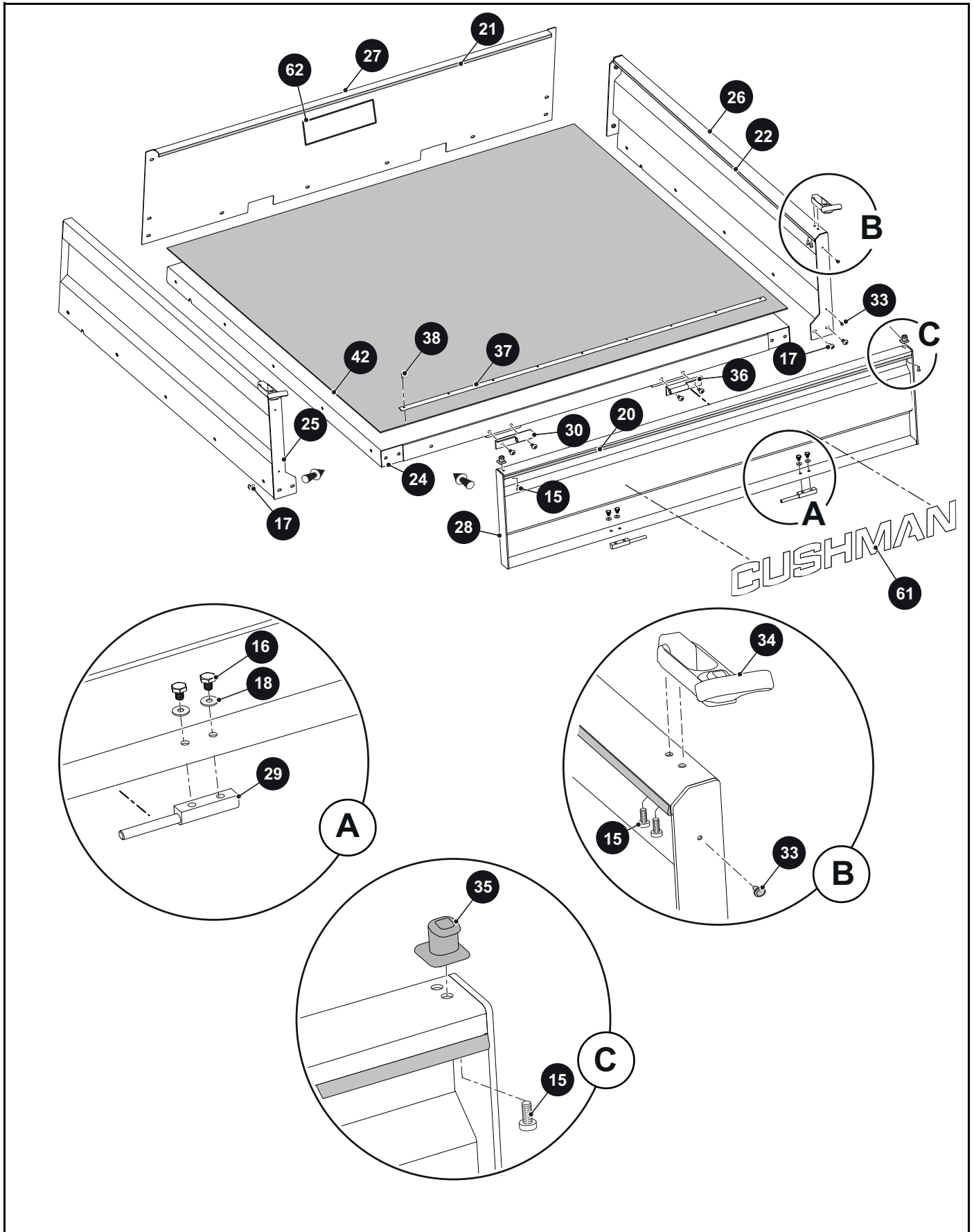
ITEM	PART NO.	1 2 3 4 5	DESCRIPTION	QTY.
103	71547G02		OUTRIGGER CHANNEL	1
104	00642G7		FLAT WASHER, #4 - 5/16".....	8
105	01118G01		HEX HEAD BOLT, 1/4" - 20 X .62" LG	8
106				
107				
108				
109				
110				
111				

TRUCK BED - METAL

1 ALUMINUM BED, ELECTRIC LIFT includes items 14, 43 - 60



TRUCK BED - METAL



TRUCK BED - METAL

When ordering parts, please specify the model and serial number of the product.

* Indicates a component that is not available as an individual part.

*** Indicates consult Customer Service Department for additional information.

ITEM	PART NO.	1 2 3 4 5	DESCRIPTION	QTY.
1	620482		ALUMINUM BED, ELECTRIC LIFT (INCLUDES ITEMS 14, 43 - 60)	1
2				
3				
4				
5				
6				
7				
8				
9				
10				
11				
12				
13				
14	612612		ALUMINUM BED, LARGE (INCLUDES ITEMS 15 - 42).....	1
15	612957		PAN HEAD SCREW, 10 - 24 X 1/2" LG.....	6
16	*		HEX HEAD BOLT, 1/4" - 20 X 3/8" LG.....	4
17	612959		TORX SCREW, 1/4" - 20 X 1/2"	28
18	*		FLAT WASHER, 1/4"	4
19	*		HEX NUT, 3/8" -16.....	2
20	*		EDGE PROTECTOR	1
21	*		EDGE PROTECTOR	1
22	*		EDGE PROTECTOR	2
23	612965		CLEVIS PIN, 1/2" X 3" LG.....	3
24	*		BED BOTTOM WELDMENT	1
25	*		SIDE PANEL WELDMENT (DRIVER SIDE)	1
26	*		SIDE PANEL WELDMENT (PASSENGER SIDE)	1
27	*		FRONT PANEL.....	1
28	612970		TAILGATE.....	1
29	612971		PIVOT PIN.....	2
30	612972		TAILGATE HINGE (DRIVER SIDE).....	1
31	612973		RUE PIVOT RING CLIP	3

TRUCK BED - METAL

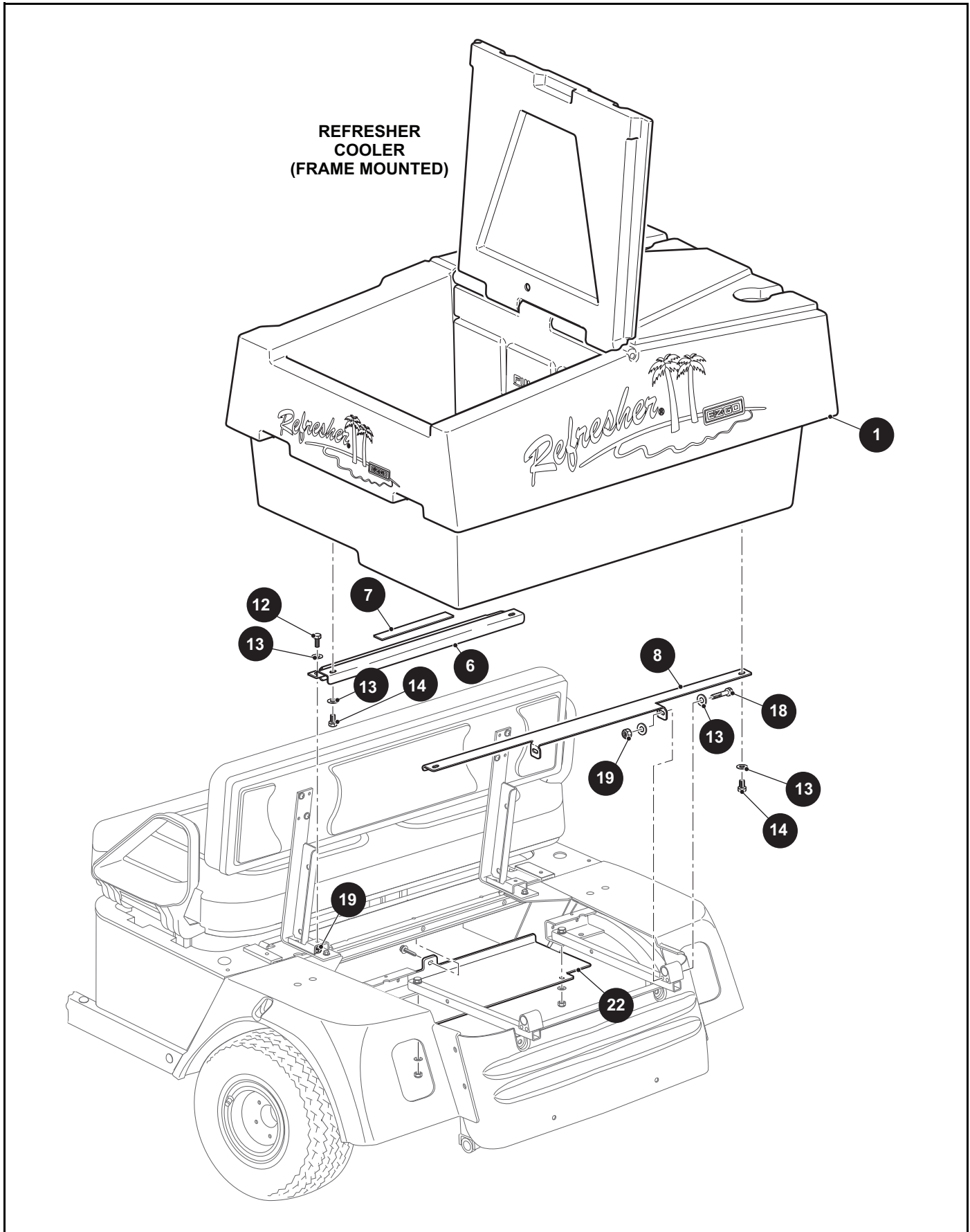
When ordering parts, please specify the model and serial number of the product.

* Indicates a component that is not available as an individual part.

*** Indicates consult Customer Service Department for additional information.

ITEM	PART NO.	1	2	3	4	5	DESCRIPTION	QTY.
32	612974						LEVELING PAD	2
33	*						BUMPER INSERT, RUBBER	4
34	612976						DRAW LATCH ASSY	2
35	612977						DRAW LATCH KEEPER	2
36	612978						TAILGATE HINGE, (PASSENGER SIDE)	1
37	614440						MAT RETAINER	1
38	*						RIVET, 3/16"	9
39	*						HINGE SUPPORT	2
40	*						HEX NUT,#10 - 24.....	2
41	*						HEX BOLT, 5/16" -18 X 7/8"	1
42	*						RUBBER MAT	1
43	624030						FLANGED BUSHING	4
44	17618G1						NYLON CLAMP (NOT ILLUSTRATED)	8
45	74165G02						CIRCUIT BREAKER MOUNTING BRACKET	1
46	00150G4						SCREW, #10 - 24 X 1/2" LG.....	2
47	00565G5						LOCK WASHER, #10	2
48	00526G3						HEXAGONAL NUT, #10 - 24	2
49	27680G01						TOGGLE SWITCH.....	1
50	27447G01						TOGGLE GUARD ASSEMBLY	1
51	10570G9						RIVET, 1/8" X 11/32" LG (ALUMINUM)	2
52	25976G14						14 GA WIRE (RED 5")	1
53	14443G11						CLEVIS PIN, 1/2" X 1 3/4" LG	1
54	27613G01						SPACER	2
55	21683G1						COTTER PIN, 15/32" X 2 13/16" LG	1
56	651950						DUMP HARNESS (48V) (NOT ILLUSTRATED)	1
57	11845G3						INSULATED CABLE CLAMP, 11/16" (NOT ILLUSTRATED)	2
58	00532G3						HEX NUT, 5/16" - 18 (NOT ILLUSTRATED).....	2
59	21320G3						CIRCUIT BREAKER (30 AMP 12V).....	1
60	27612G04						ELECTRIC ACTUATOR, 48V	1
61	618088						CUSHMAN REAR BED DECAL.....	1
62	74821G01						BED CAPACITY LABEL.....	1

TRUCK BED - REFRESHER



TRUCK BED - REFRESHER

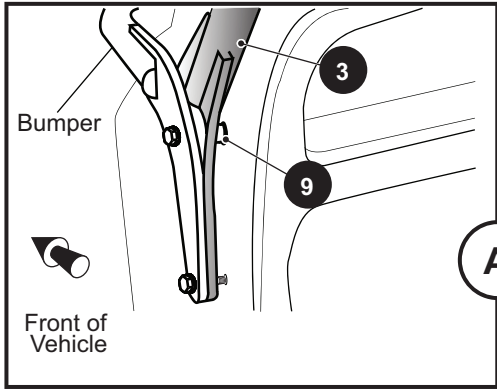
When ordering parts, please specify the model and serial number of the product.

* Indicates a component that is not available as an individual part.

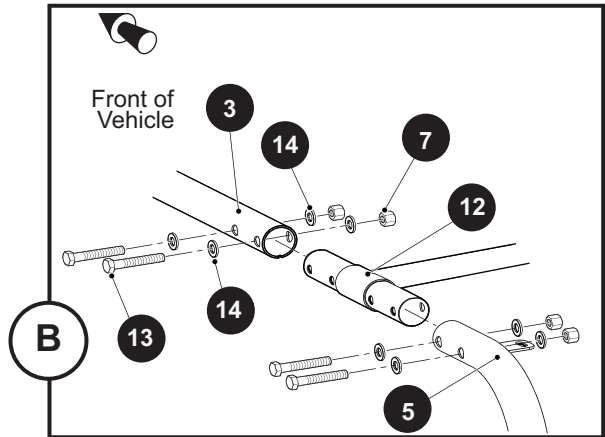
*** Indicates consult Customer Service Department for additional information.

ITEM	PART NO.	1 2 3 4 5	DESCRIPTION	QTY.
1	75663G01		REFRESHER COOLER.....	1
2				
3				
4				
5	75752G02		SUPPORT / DECAL ASSEMBLY (INCLUDES ITEMS 6 -7)	1
6	*		REFRESHER FRONT SUPPORT.....	1
7	75751G01		REFRESHER CAUTION DECAL	1
8	75672G02		REFRESHER REAR SUPPORT.....	1
9				
10				
11				
12	00270G5		BOLT, 5/16 - 18 x 5/8" LG	4
13	00559G8		FLAT WASHER, 5/16".....	10
14	00438G6		BOLT, 5/16 - 18 x 3/4" LG	2
15				
16				
17				
18	00440G4		BOLT, 5/16 - 18 x 2 1/2" LG	2
19	11098G6		LOCK NUT, 5/16 - 18.....	4
20				
21				
22	75749G01		HEAT SHIELD.....	1

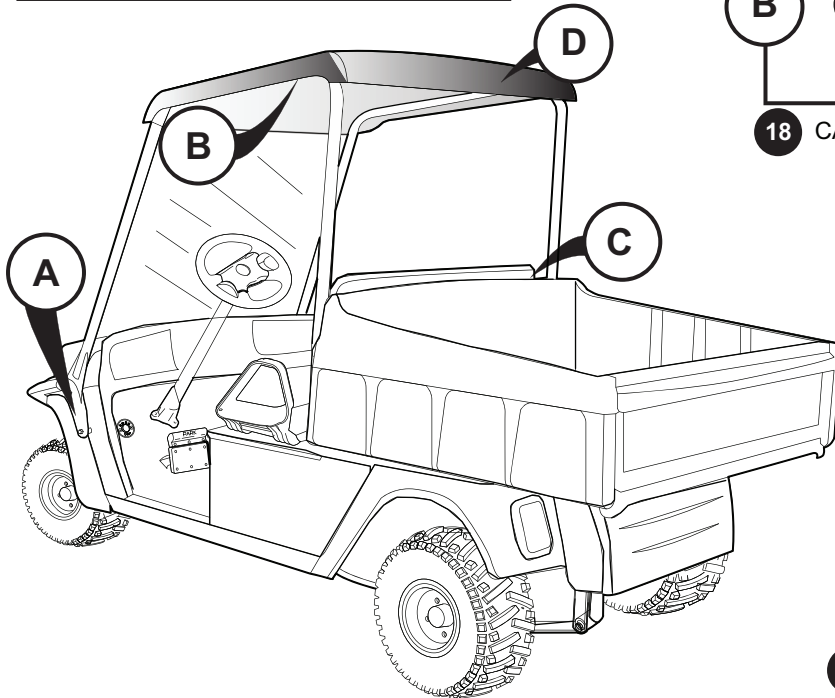
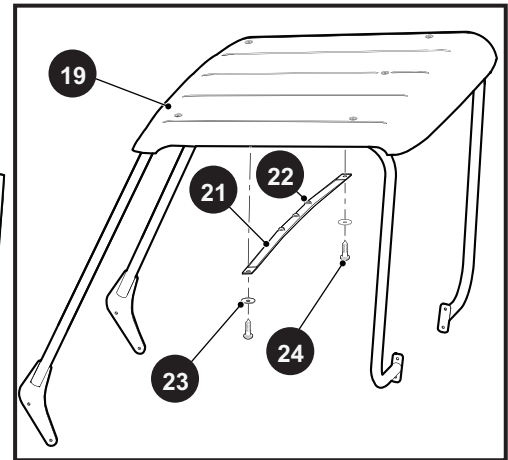
WEATHER PROTECTION



2 CANOPY STRUTS KIT includes items 3 - 8

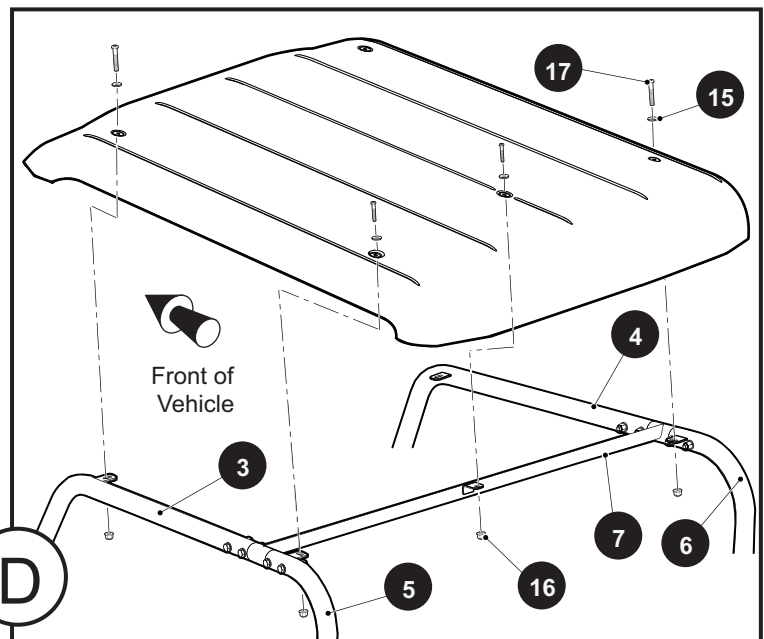
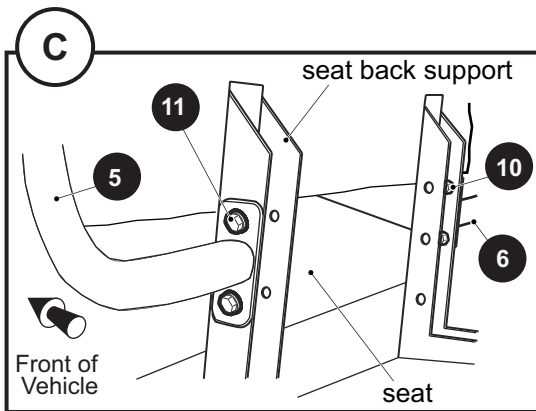


18 CANOPY ASSEMBLY, REINFORCED (BLACK) includes items 19 - 24



8 HARDWARE KIT includes items 9 - 17

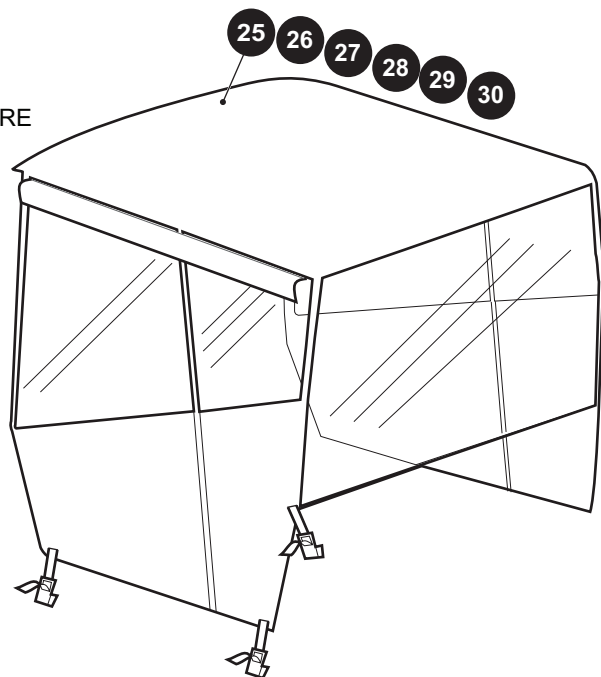
20 REINFORCEMENT BAR ASSEMBLY includes items 21 - 22



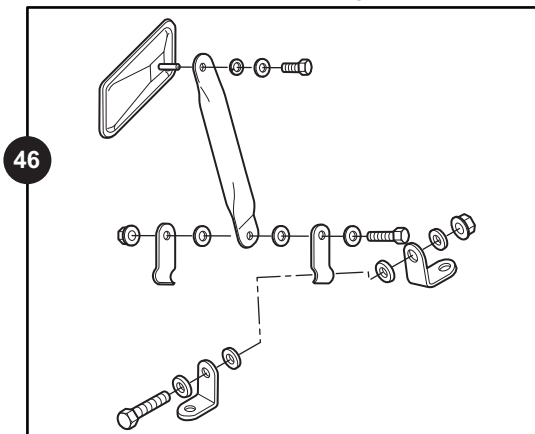
32 FULL WINDSHIELD KIT includes items 33 - 38

41 SPLIT WINDSHIELD KIT includes items 34 - 37, 42, 43

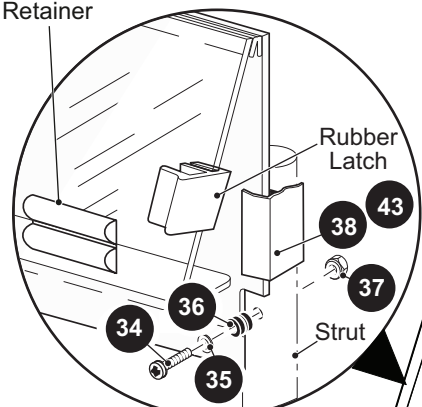
ENCLOSURE



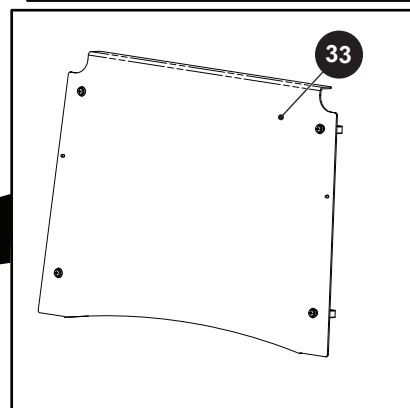
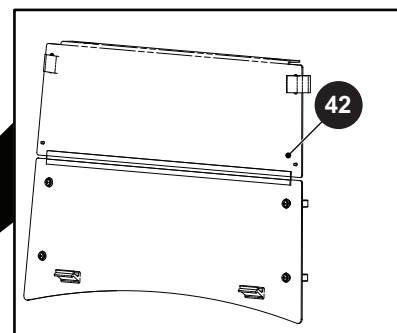
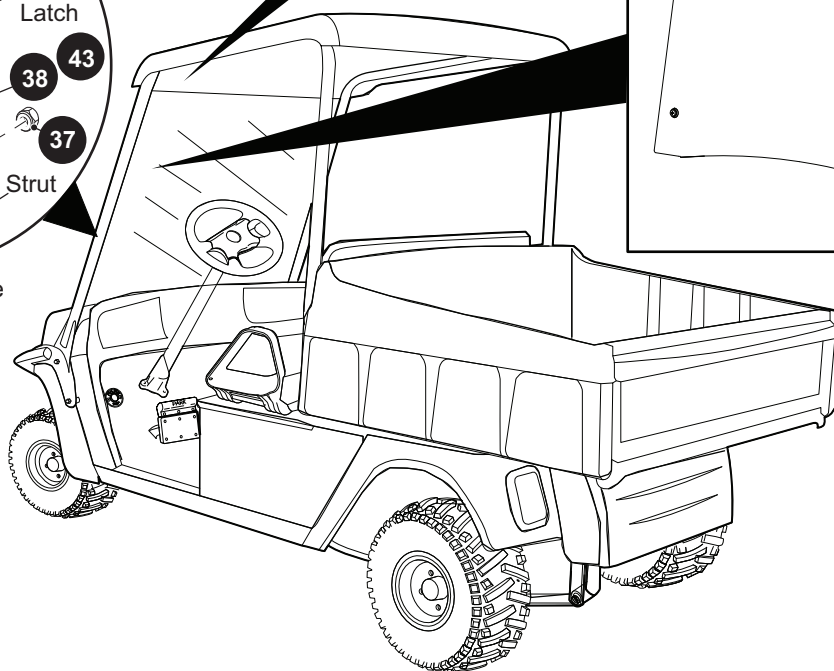
REAR VIEW MIRROR



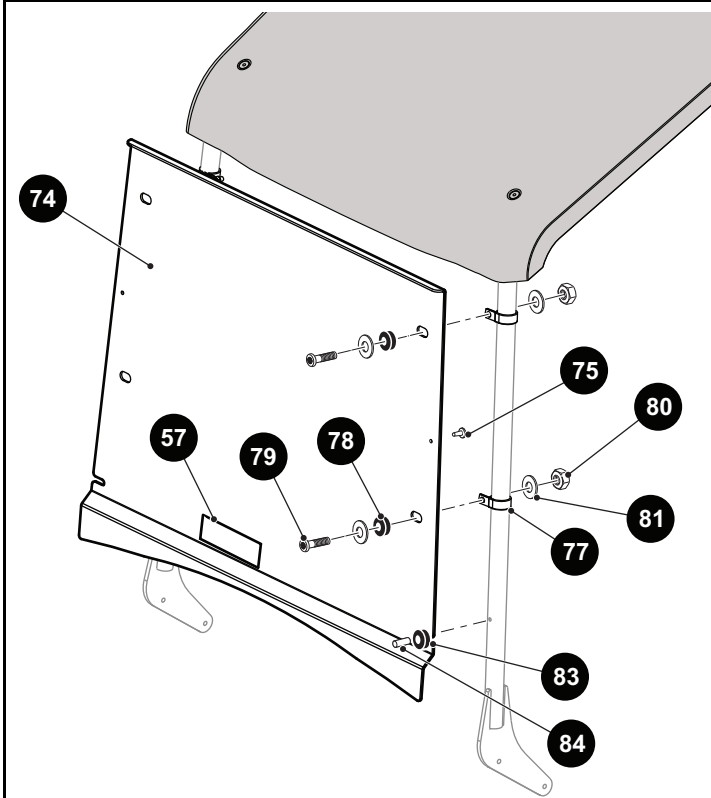
Windshield Retainer



Front of Vehicle

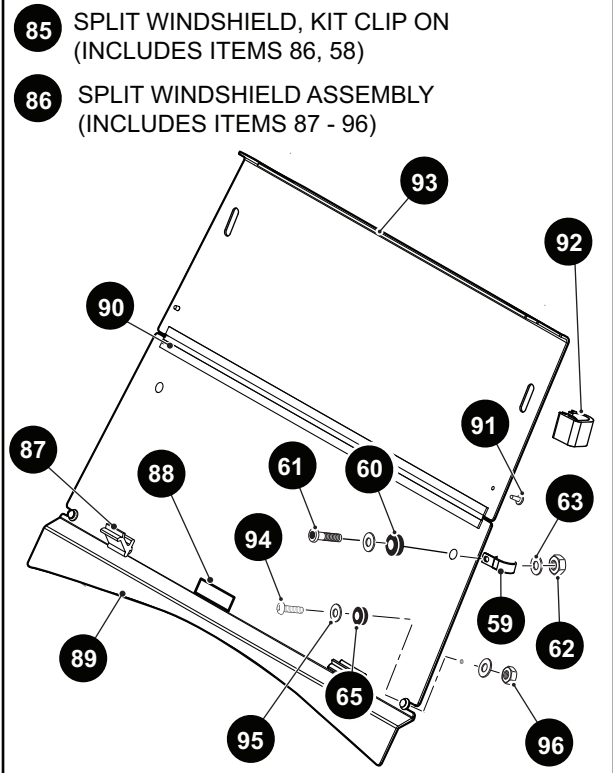


WEATHER PROTECTION

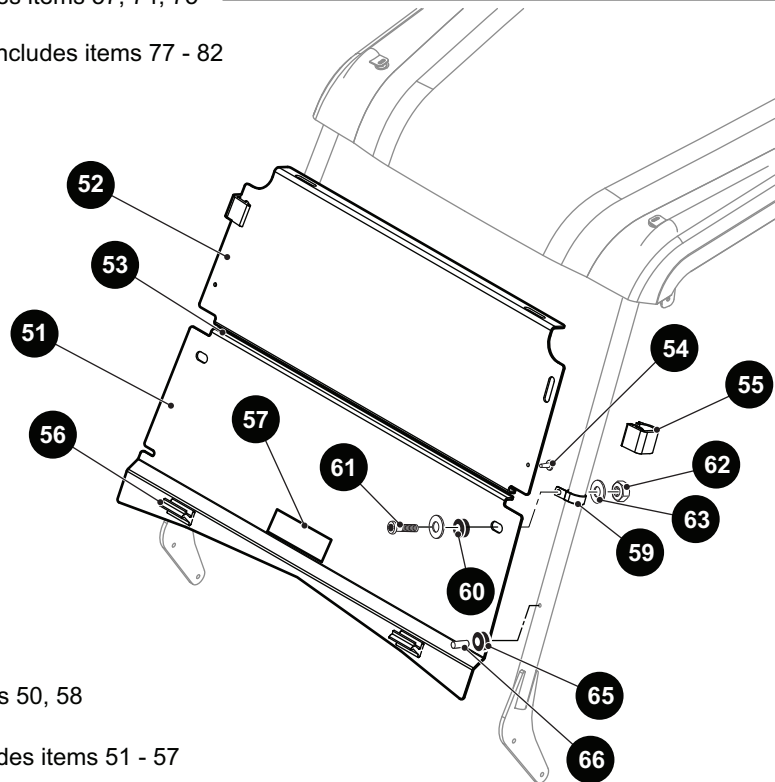


- 72 FULL WINDSHIELD KIT includes items 73, 76
- 73 FULL WINDSHIELD ASSEMBLY includes items 57, 74, 75
- 76 FULL WINDSHIELD HARDWARE KIT includes items 77 - 82

FOR VEHICLES MANUFACTURED FROM
1ST DECEMBER 2014



- 85 SPLIT WINDSHIELD, KIT CLIP ON (INCLUDES ITEMS 86, 58)
- 86 SPLIT WINDSHIELD ASSEMBLY (INCLUDES ITEMS 87 - 96)



- 49 SPLIT WINDSHIELD KIT includes items 50, 58
- 50 SPLIT WINDSHIELD ASSEMBLY includes items 51 - 57
- 58 SPLIT WINDSHIELD HARDWARE KIT includes items 59 - 64, 94 - 96

WEATHER PROTECTION

When ordering parts, please specify the model and serial number of the product.

* Indicates a component that is not available as an individual part.

*** Indicates consult Customer Service Department for additional information.

ITEM	PART NO.	1 2 3 4 5	DESCRIPTION	QTY.
1				
2	638362		CANOPY STRUTS KIT (INCLUDES ITEMS 3 - 8)	1
3	638092G01		CANOPY SUPPORT (DRIVER SIDE FRONT)	1
4	638092G02		CANOPY SUPPORT (PASSENGER SIDE FRONT)	1
5	626084		CANOPY SUPPORT (DRIVER SIDE REAR)	1
6	626085		CANOPY SUPPORT (PASSENGER SIDE REAR)	1
7	617641		CANOPY SUPPORT, CROSS TUBE	1
8	624119		HARDWARE KIT (INCLUDES ITEMS 9 - 17)	1
9	619586		SPACER, 3/4"	2
10	11098G6		LOCK NUT, 5/16" - 18	4
11	00438G7		HEX HEAD BOLT, 5/16" - 18 X 7/8" LG	4
12	11098G5		LOCK NUT, 3/8" - 16	8
13	00428G2		HEX HEAD BOLT, 3/8" - 16 X 2 1/4" LG	8
14	00560G1		FLAT WASHER, 3/8"	16
15	00915G1		BONDED SEAL WASHER, 1/4" I.D.	5
16	601476		LOCK NUT, M6 - 1	5
17	*		TORX BOLT, M6 - 1 X 40MM LG	5
18	651139		CANOPY ASSEMBLY, REINFORCED (BLACK) (INCLUDES ITEMS 19 - 24)	1
19	639044		CANOPY (BLACK)	1
20	651138		REINFORCEMENT BAR ASSEMBLY (INCLUDES ITEMS 21 - 22)	1
21	639438		REINFORCEMENT BAR	1
22	820951		BUMPER	3
23	00559G4		FLAT WASHER, O.D .45" X I.D .19"	2
24	608290		PHILLIPS HEAD SELF TAPPING SCREW, #10 - 16 X .72" LG	2
25	624829		TOP ENCLOSURE (BLACK)	1
26	624830		TOP ENCLOSURE (GRAY)	1
27	624831		TOP ENCLOSURE (GREEN)	1
28	624832		TOP ENCLOSURE (WHITE)	1
29	624833		TOP ENCLOSURE (TAN)	1
30	*		VELCRO	AR

WEATHER PROTECTION

When ordering parts, please specify the model and serial number of the product.

* Indicates a component that is not available as an individual part.

*** Indicates consult Customer Service Department for additional information.

ITEM	PART NO.	1 2 3 4 5	DESCRIPTION	QTY.
31				
32	71966G03		FULL WINDSHIELD KIT (INCLUDES ITEMS 33 - 38)	1
33	71960G01		FULL WINDSHIELD	1
34	*		HEX HEAD BOLT, 1/4" - 20 X 1 3/4" LG	2
35	*		FLAT WASHER (SS), 1/4"	4
36	*		RUBBER GROMMET	2
37	*		LOCK NUT (SS), 1/4" - 20	2
38	615662		SASH, 26" LG	2
39				
40				
41	71966G04		SPLIT WINDSHIELD KIT (INCLUDES ITEMS 34 - 37, 42, 43).....	1
42	617544		SPORT WINDSHIELD	1
43	615661		SASH, 12" LG	2
44				
45				
46	27924G01		MIRROR ASSEMBLY	1
47				
48				
49	625932		SPLIT WINDSHIELD KIT, CLIP - ON (INCLUDES ITEMS 50, 58) (FOR VEHICLES MANUFACTURED BEFORE 1ST DECEMBER 2014)	1
50	625930		SPLIT WINDSHIELD ASSEMBLY (INCLUDES ITEMS 51 - 57).....	1
51	625898		WINDSHIELD LOWER.....	1
52	625899		WINDSHIELD UPPER.....	1
53	603705		HINGE	1
54	604115		GROMMET	2
55	619621		UPPER LATCH.....	2
56	603201		LOWER LATCH.....	2
57	71963G01		WARNING DECAL.....	1
58	625928		HARDWARE KIT, SPLIT WINDSHIELD (INCLUDES ITEMS 59 - 64, 94 - 96)	1
59	619078		TUBE CLAMP, 1.5" DIA.....	2
60	604116		FASTENER GROMMET	2

WEATHER PROTECTION

When ordering parts, please specify the model and serial number of the product.

* Indicates a component that is not available as an individual part.

*** Indicates consult Customer Service Department for additional information.

ITEM	PART NO.	1	2	3	4	5	DESCRIPTION	QTY.
61	619082						PAN HEAD BOLT, 3/8" - 16 X 1 1/2" LG	2
62	11098G5						LOCK NUT, 3/8" - 16	2
63	306981						FLAT WASHER, 3/8"	4
64	624785						GROMMET ASSEMBLY, 1/4" (INCLUDES ITEMS 65, 66)	2
65	624780						GROMMET, 1/4"	1
66	624778						SLEEVE, 1/4"	1
67								
68								
69								
70								
71								
72	625931						FULL WINDSHIELD KIT, CLIP - ON (INCLUDES ITEMS 73, 76).....	1
73	625927						FULL WINDSHIELD ASSEMBLY (INCLUDES ITEMS 57, 74, 75)	1
74	625904						FULL WINDSHIELD	1
75	604115						GROMMET	2
76	625929						HARDWARE KIT, FULL WINDSHIELD (INCLUDES ITEMS 77 - 82).....	1
77	619078						TUBE CLAMP, 1.5" DIA.....	4
78	604116						FASTENER GROMMET	4
79	619082						PAN HEAD BOLT, 3/8" - 16 X 1 1/2" LG	4
80	11098G5						LOCK NUT, 3/8" - 16	4
81	306981						FLAT WASHER, 3/8"	8
82	624785						GROMMET ASSEMBLY, 1/4" (INCLUDES ITEMS 83, 84)	2
83	624780						GROMMET, 1/4"	1
84	624778						SLEEVE, 1/4"	1
85	638372						SPLIT WINDSHIELD KIT, CLIP ON (INCLUDES ITEMS 86, 58) (FOR VEHICLES MANUFACTURED FROM 1ST DECEMBER 2014)	1
86	638120						SPLIT WINDSHIELD ASSEMBLY (INCLUDES ITEMS 87 - 96)	1
87	603201						LOWER WINDSHIELD LATCH	2
88	71963G01						DECAL	1
89	638054						LOWER SPLIT WINDSHIELD	1
90	638070						HINGE	1

WEATHER PROTECTION

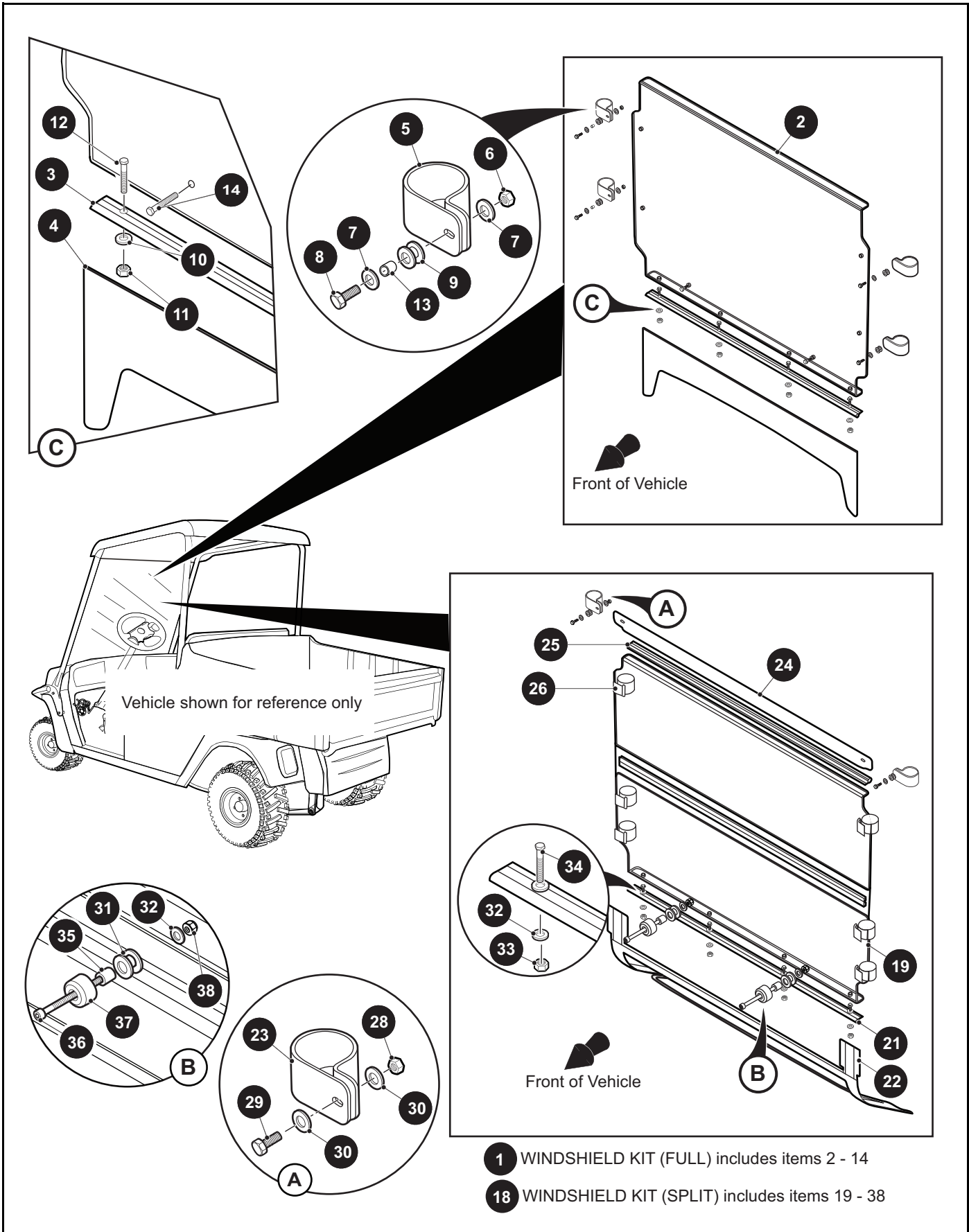
When ordering parts, please specify the model and serial number of the product.

* Indicates a component that is not available as an individual part.

*** Indicates consult Customer Service Department for additional information.

ITEM	PART NO.	1	2	3	4	5	DESCRIPTION	QTY.
91	604115						GROMMET	2
92	619621						UPPER WINDSHIELD LATCH	2
93	638053						UPPER SPLIT WINDSHIELD.....	1
94	00753G7						TRUSS HEAD PHILLIPS SCREW, 1/4" - 20 X 2.5" LG	2
95	00650G7						FLAT WASHER, 1/4"	4
96	00550G1						HEX NUT, 1/4" - 20.....	2

WEATHER PROTECTION



WEATHER PROTECTION

When ordering parts, please specify the model and serial number of the product.

* Indicates a component that is not available as an individual part.

*** Indicates consult Customer Service Department for additional information.

ITEM	PART NO.	1 2 3 4 5	DESCRIPTION	QTY.
1	627079		WINDSHIELD KIT (FULL) (INCLUDES ITEMS 2 - 14)	1
2	*		WINDSHIELD	1
3	*		AWNING MOLDING (ALUMINUM).....	1
4	*		TEXTILE SKIRT PLACEHOLDER.....	1
5	*		PLASTIC CLAMP	4
6	*		HEX NUT.....	6
7	*		FLAT WASHER	12
8	*		HEX HEAD BOLT	4
9	*		WINDSHIELD GROMMET	6
10	*		FLAT WASHER	8
11	*		HEX NUT.....	4
12	*		HEX HEAD BOLT	4
13	*		CRUSH SLEEVE	6
14	*		HEX HEAD BOLT	2
15				
16				
17				
18	627080		WINDSHIELD KIT (SPLIT) (INCLUDES ITEMS 19 - 38).....	1
19	*		WINDSHIELD	1
20				
21	*		AWNING MOLDING (ALUMINUM).....	1
22	*		TEXTILE SKIN PLACEHOLDER.....	1
23	*		PLASTIC CLAMP	2
24	*		UPPER METAL SEAL.....	1
25	*		UNIGRIP.....	1
26	*		TEXTILE STRAP	6
27				
28	*		HEX NUT.....	2
29	*		HEX HEAD BOLT	2
30	*		FLAT WASHER	4
31	*		GROMMET	2

WEATHER PROTECTION

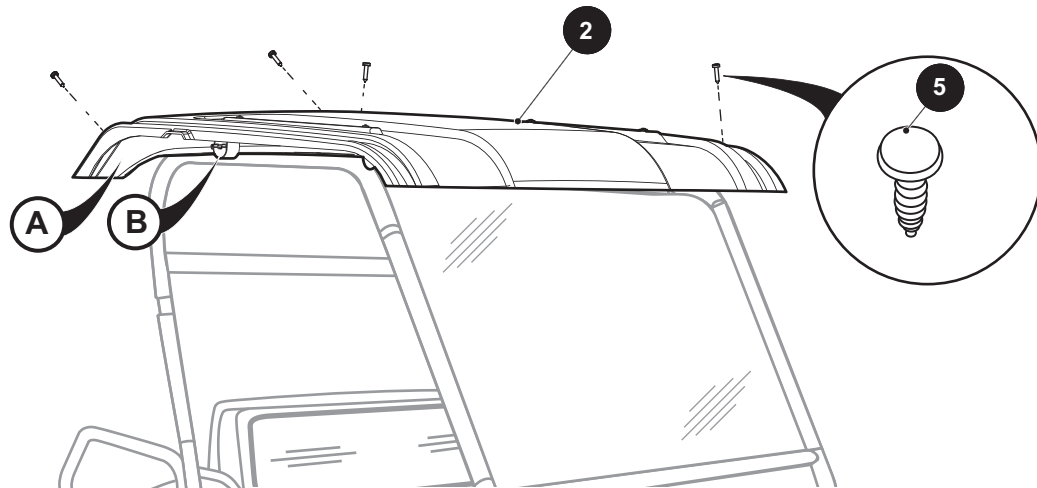
When ordering parts, please specify the model and serial number of the product.

* Indicates a component that is not available as an individual part.

*** Indicates consult Customer Service Department for additional information.

ITEM	PART NO.	1	2	3	4	5	DESCRIPTION	QTY.
32	*						FLAT WASHER	10
33	*						HEX NUT	4
34	*						HEX HEAD BOLT.....	4
35	*						CRUSH SLEEVE	2
36	*						HEX HEAD BOLT.....	2
37	*						BUMPER.....	2
38	*						HEX NUT	2

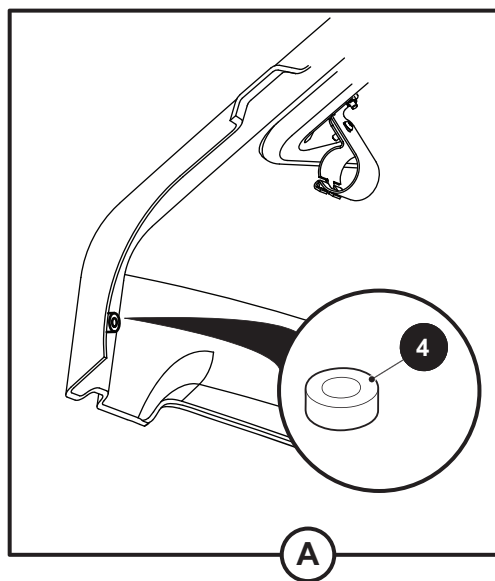
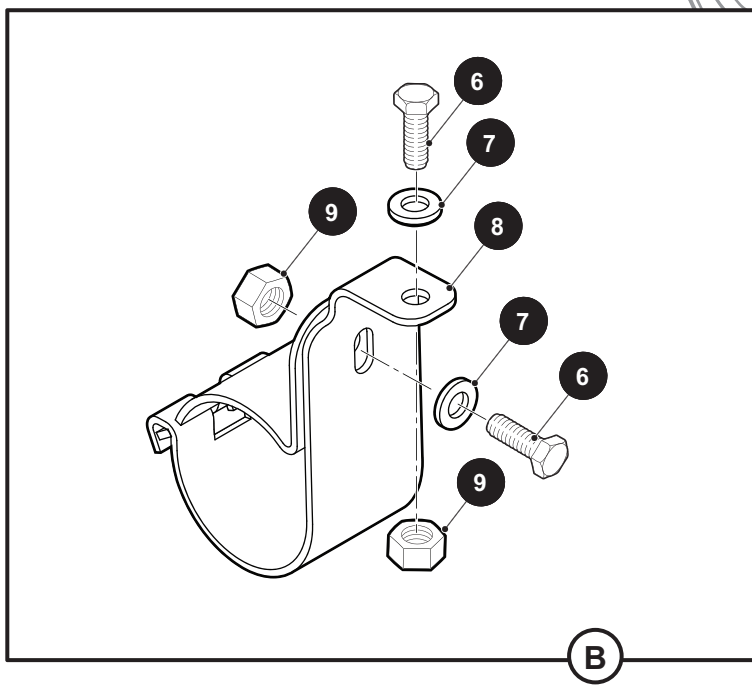
WEATHER PROTECTION



Vehicle shown for reference only

1 TOP CANOPY KIT includes items 2, 3

3 HARDWARE KIT includes items 4 - 9



WEATHER PROTECTION

When ordering parts, please specify the model and serial number of the product.

* Indicates a component that is not available as an individual part.

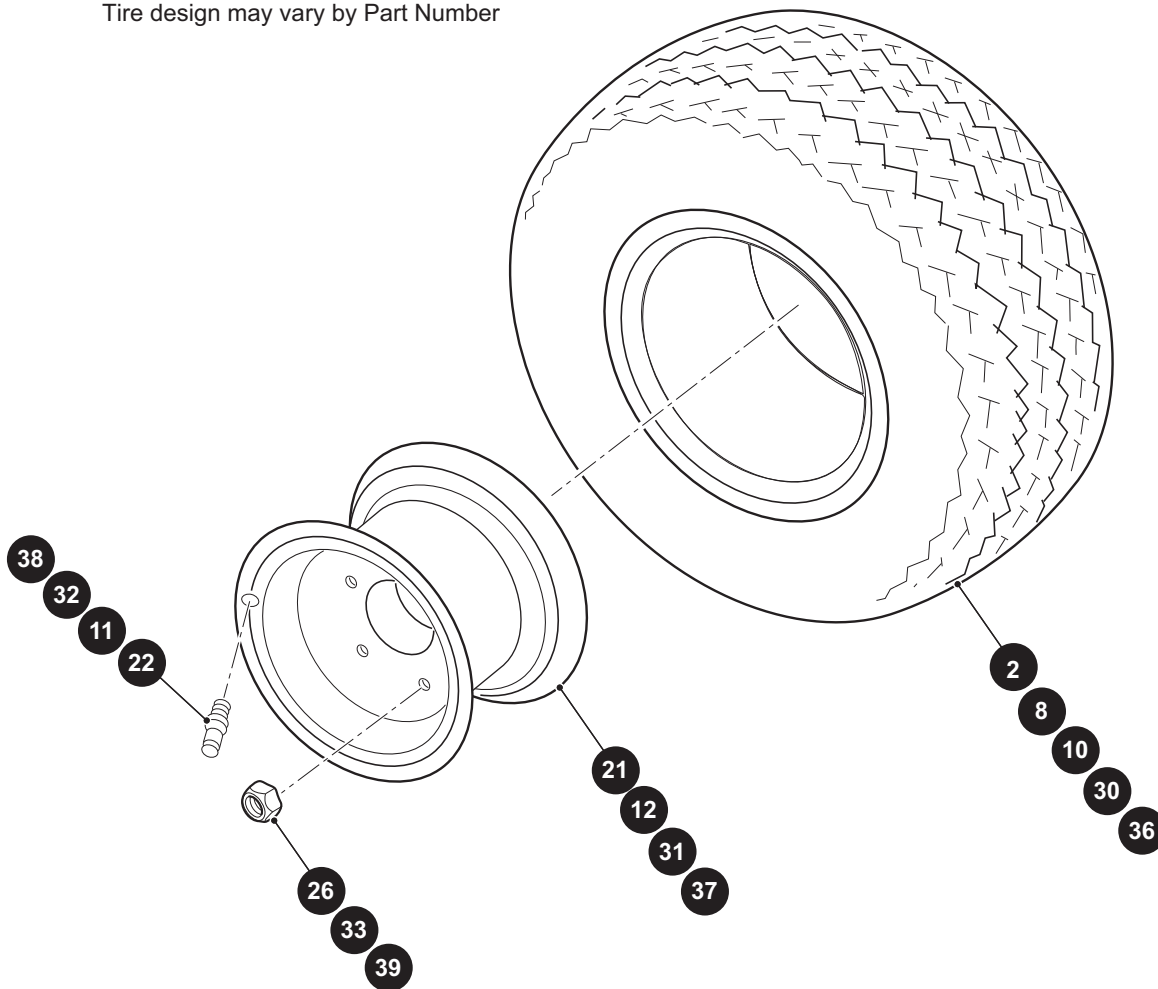
*** Indicates consult Customer Service Department for additional information.

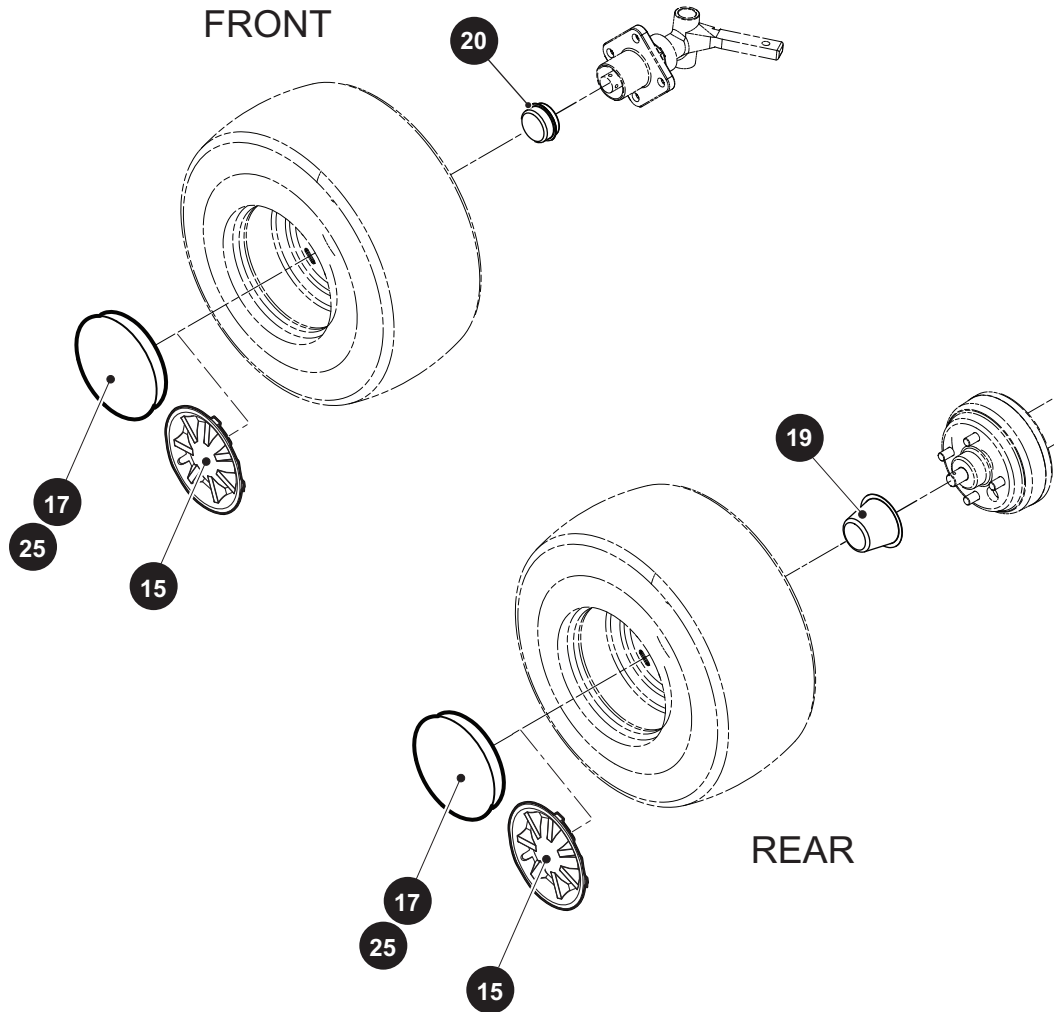
ITEM	PART NO.	1 2 3 4 5	DESCRIPTION	QTY.
1	628584		TOP CANOPY KIT (INCLUDES ITEMS 2, 3).....	1
2	627077		TOP CANOPY	1
3	628585		HARDWARE KIT (INCLUDES ITEMS 4 - 9)	1
4	*		RUBBER SPACER.....	4
5	*		CHRISTMAS TREE PUSH RIVET	4
6	*		HEX HEAD BOLT, M6 - 1 X 20MM LG	8
7	*		FLAT WASHER, 1/4"	8
8	*		CLAMP (2 PIECE).....	4
9	*		HEX NUT, M6 - 1.....	8

WHEELS AND TIRES

- 1 WHEELS AND TIRE ASSEMBLY (Links) Includes Items 2, 21, 22
- 7 WHEELS AND TIRE ASSEMBLY (Sure Trail) Includes Items 8, 21, 22
- 9 WHEELS AND TIRE ASSEMBLY (Turf saver) Includes Items 10, 11, 12
- 29 WHEELS AND TIRE ASSEMBLY Includes Items 30 - 32
- 35 WHEELS AND TIRE ASSEMBLY Includes Items 36 - 38

Tire design may vary by Part Number





14 HUBCAP ASSEMBLY, GOLD Includes Items 15, 16

24 HUBCAP ASSEMBLY, SILVER Includes Items 15, 16

WHEELS AND TIRES

When ordering parts, please specify the model and serial number of the product.

* Indicates a component that is not available as an individual part.

*** Indicates consult Customer Service Department for additional information.

ITEM	PART NO.	1 2 3 4 5	DESCRIPTION	QTY.
1	28757G01		WHEEL AND TIRE ASSEMBLY, LINKS (INCLUDES ITEMS 2, 19, 20).....	1
2	28764G01		CARLISLE TIRE (LINKS 18 X 8.5 - 8, 4 PLY RATED).....	1
3				
4				
5				
6				
7	28842G02		WHEEL AND TIRE ASSEMBLY, SURE TRAIL (INCLUDES ITEMS 8, 19, 20) (FOR VEHICLES MANUFACTURED BEFORE OCTOBER 14, 2016)	1
8	28764G08		CARLISLE TIRE (USA TRAIL LOAD RANGE C).....	1
9	28442G01		WHEEL AND TIRE ASSEMBLY (WHITE RIMS) REAR..... (INCLUDES ITEMS 10, 11, 12) (FOR VEHICLES MANUFACTURED BEFORE OCTOBER 14, 2016)	1
10	28442G02		TIRE (TURF SAVER 20 X 10 - 10)	1
11	11657G1		VALVE STEM	1
12	15172G01		WHEEL RIM (4 LUG)	1
13				
14	615617		HUBCAP ASSEMBLY, GOLD (INCLUDES ITEMS 15, 16) (FOR VEHICLES MANUFACTURED BEFORE JANUARY 8, 2018)	1
15	*		HUB CAP	1
16	*		HUB CAP CLIP (NOT ILLUSTRATED)	4
17	665149		WHEEL COVER (METALLIC GOLD) (FOR VEHICLES MANUFACTURED AFTER JANUARY 8, 2018).....	1
18				
19	74175G01		DUST CAP.....	2
20	12091G2		SPINDLE CAP.....	2
21	28759G01		WHEEL RIM (4 LUG).....	1
22	11657G2		VALVE STEM.....	1
23				
24	615618		HUBCAP ASSEMBLY, SILVER (INCLUDES ITEMS 15, 16) (FOR VEHICLES MANUFACTURED BEFORE JANUARY 8, 2018)	1
25	665144		WHEEL COVER (METALLIC SILVER) (FOR VEHICLES MANUFACTURED AFTER JANUARY 8, 2018).....	1
26	14723G1		LUG NUT, 1/2" - 20	AR
27				

WHEELS AND TIRES

When ordering parts, please specify the model and serial number of the product.

* Indicates a component that is not available as an individual part.

*** Indicates consult Customer Service Department for additional information.

ITEM	PART NO.	1 2 3 4 5	DESCRIPTION	QTY.
28				
29	652255		WHEEL AND TIRE ASSEMBLY (INCLUDES ITEMS 30 - 32) (FOR VEHICLES MANUFACTURED AFTER OCTOBER 14, 2016)	1
30	652989		KENDA TIRE, K500, 18 X 8.5 - 8, 6PLY	1
31	614621		WHEEL	1
32	643948		VALVE STEM.....	1
33	14723G1		LUG NUT, 1/2" - 20.....	AR
34				
35	652263		WHEEL AND TIRE ASSEMBLY (INCLUDES ITEMS 36 - 38) (FOR VEHICLES MANUFACTURED AFTER OCTOBER 14, 2016)	1
36	652986		KENDA TIRE, K500, 20 X 8 - 10, 6PLY	1
37	643934		WHEEL, 10 X 6	1
38	643948		VALVE STEM.....	1
39	14723G1		LUG NUT, 1/2" - 20	AR



CUSHMAN®

LET'S WORK!



E-Z-GO Division of Textron Inc.

1451 Marvin Griffin Road, Augusta, Georgia 30906 - 3852 USA

TO CONTACT US...

North America:

Technical Assistance & Warranty

Phone: 1-800-774-3946, FAX: 1-800-448-8124

Service Parts

Phone: 1-888-GET-E-Z-GO (1-888-438-3946), FAX: 1-800-752-6175

International:

Phone: 001-706-798-4311, FAX: 001-706-771-4609

Service Parts Manuals, as well as Repair and Service Manuals are available from a local Distributor, an authorized Branch, Genuine E-Z-GO Parts & Accessories Department or at www.shopezgo.com.

Copyrighted Material
This manual may not be reproduced in whole or
in part without the express permission of
E-Z-GO Division of Textron Inc.
Technical Communications Department