



A Textron Company

Service Parts Manual

GASOLINE POWERED VEHICLE



634465-AW

ISSUED AUGUST 2013

REVISED OCTOBER 2018

SERVICE PARTS MANUAL

GASOLINE POWERED GOLF CARS

TXT FLEET

TXT FREEDOM

TXT SHUTTLE 2+2

STARTING MODEL YEAR 2014

DISCLAIMER: The E-Z-GO Division of Textron Inc. (E-Z-GO) reserves the right to incorporate engineering and design changes to products in this Manual, without obligation to include these changes on units leased/sold previously.

The information contained in this Manual may be revised periodically E-Z-GO, and therefore is subject to change without notice.

E-Z-GO DISCLAIMS LIABILITY FOR ERRORS IN THIS MANUAL, and E-Z-GO SPECIFICALLY DISCLAIMS LIABILITY FOR INCIDENTAL AND CONSEQUENTIAL DAMAGES RESULTING FROM THE USE OF THE INFORMATION AND MATERIALS IN THIS MANUAL.

TO CONTACT US

NORTH AMERICA:

TECHNICAL ASSISTANCE & WARRANTY PHONE: 1-800-774-3946, FAX: 1-800-448-8124

SERVICE PARTS PHONE: 1-888-GET-EZGO (1-888-438-3946), FAX: 1-800-752-6175

INTERNATIONAL: PHONE: 001-706-798-4311, FAX: 001-706-771-4609

E-Z-GO DIVISION OF TEXTRON INC., 1451 MARVIN GRIFFIN RD., AUGUSTA, GEORGIA USA 30906-3852

GENERAL INFORMATION

To obtain a copy of the limited warranty applicable to the vehicle, call or write a local Distributor, authorized Branch or the Warranty Department with vehicle serial number and manufacturer code.

The use of non Original Equipment Manufacturer (OEM) approved parts may void the warranty.

Tampering with or adjusting the governor to permit vehicle to operate at above factory specifications will void the vehicle warranty.

When servicing engines, all adjustments and replacement components must be per original vehicle specifications in order to maintain the United States of America Federal and State emission certification applicable at the time of manufacture.

BATTERY PROLONGED STORAGE

All batteries will self discharge over time. The rate of self discharge varies depending on the ambient temperature and the age and condition of the batteries.

A fully charged battery will not freeze in winter temperatures unless the temperature falls below -75° F (-60° C).

BATTERY DISPOSAL

Lead-acid batteries are recyclable. Return whole scrap batteries to distributor, manufacturer or lead smelter for recycling. For neutralized spills, place residue in acid-resistant containers with absorbent material, sand or earth and dispose of in accordance with local, state and federal regulations for acid and lead compounds. Contact local and/or state environmental officials regarding disposal information.

TABLE OF CONTENTS

SECTION	Page No.
HOW TO USE THE SERVICE PARTS MANUAL	v
ACCELERATOR	A
AIR FILTER	B
BODY	C
BODY - FRONT	C - 1
BODY - MID SECTION	C - 5
BODY - REAR	C - 7
BODY - ACCESSORIES	C - 11
BRAKES	D
CARBURETOR AND CHOKE	E
CLUTCH	F
DIRECTION SELECTOR	G
ELECTRICAL	H
ENGINE AND MUFLER	J
ENGINE MOUNTING	K
FRONT SUSPENSION AND STEERING	L
FUEL SYSTEM	M
REAR AXLE	N
REAR SUSPENSION	P
SEATING	Q
SEATING - CONVERTIBLE CARRIER	Q - 1
SEATING AND BAG HOLDER - GOLF CAR	Q - 11
STARTER/GENERATOR	R
TOW BAR	S
PERMANENT	S - 1
CASUAL	S - 5
WEATHER PROTECTION	T
WHEELS AND TIRES	U

HOW TO USE THE SERVICE PARTS MANUAL

This manual is divided into several sections:

- GENERAL INFORMATION
- ILLUSTRATED PARTS BREAKDOWN
- APPENDIX

The first section, GENERAL INFORMATION, contains the following information:

- WARRANTY INFORMATION
- GENERAL INDEX
- HOW TO USE THE SERVICE PARTS MANUAL

The second section, ILLUSTRATED PARTS BREAKDOWN, contains illustrations and parts lists for all systems of your vehicle.

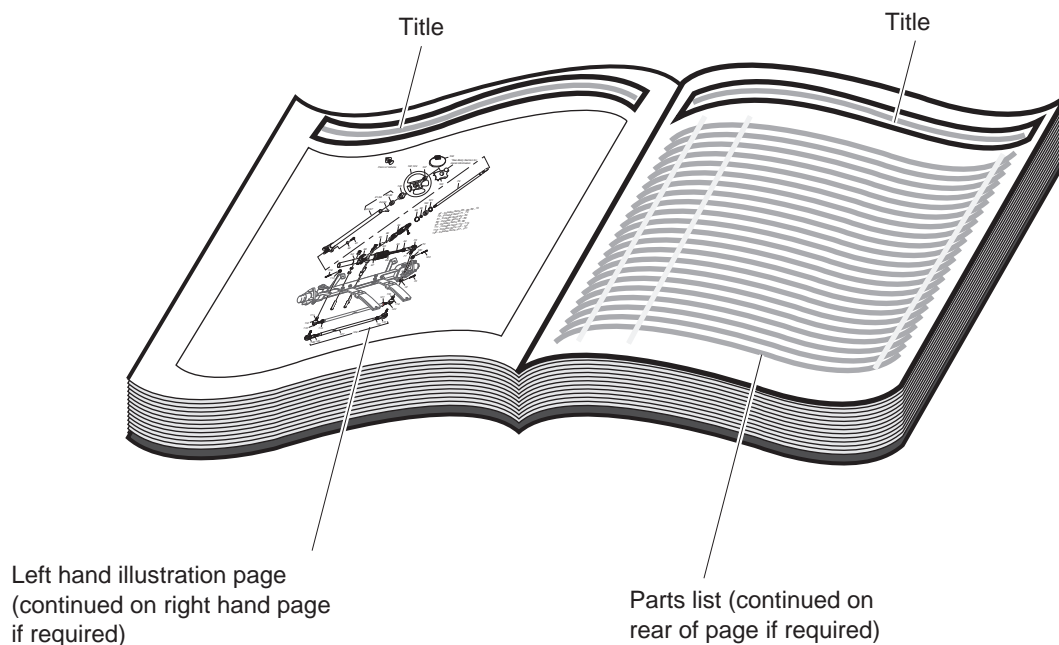
The third section, APPENDIX, contains a listing of specialty products and accessories.

USE OF THE MANUAL

To use this manual, consult the GENERAL INDEX to locate the information or illustration required.

Introduction of some revisions varies due to supply of components; therefore, it is possible that various combinations of components may be found that are not directly reflected by each illustration. Consult the illustration that best suits your situation and then contact the Service Parts Department. It is important that the serial number of your vehicle and its model number be supplied to Service Parts when ordering any replacement components.

Locate the serial number plate (see BODY located in the Illustrated Parts Breakdown section of this manual for its location) and note the complete number shown on the plate.



HOW TO USE THE SERVICE PARTS MANUAL

1. WHEN THE PART NUMBER IS NOT KNOWN

- Determine the function and application of the part required. Turn to the General Index and select the most appropriate title.
- Turn to the page number indicated and locate the desired part on the illustration.
- From the illustration, obtain the item number assigned to the desired part. Refer to the accompanying description for specific information regarding the part.

2. IF YOU KNOW THE PART NUMBER

- Locate the part number or description in the appropriate column on the parts list page.

NOTE: It is suggested that you confirm that the part selected is correct by verifying it with the pictorial representation on the illustrated page.

Should an asterisk (*) appear in the part number column on the parts list page, read upwards until a part number is found. The part number is the lowest assembly sold by Service Parts and the asterisk (*) indicates that the part depicted is not available for purchase.

NOTE: Descriptions are indented under the assembly that they are used on. That assembly is, in turn listed under the assembly that it is used on. This process is repeated until the highest final assembly is reached.

To facilitate the maintenance and repair of the vehicle, a Technician's Repair and Service Manual is available from the Service Parts Department.

HOW TO USE THE SERVICE PARTS MANUAL

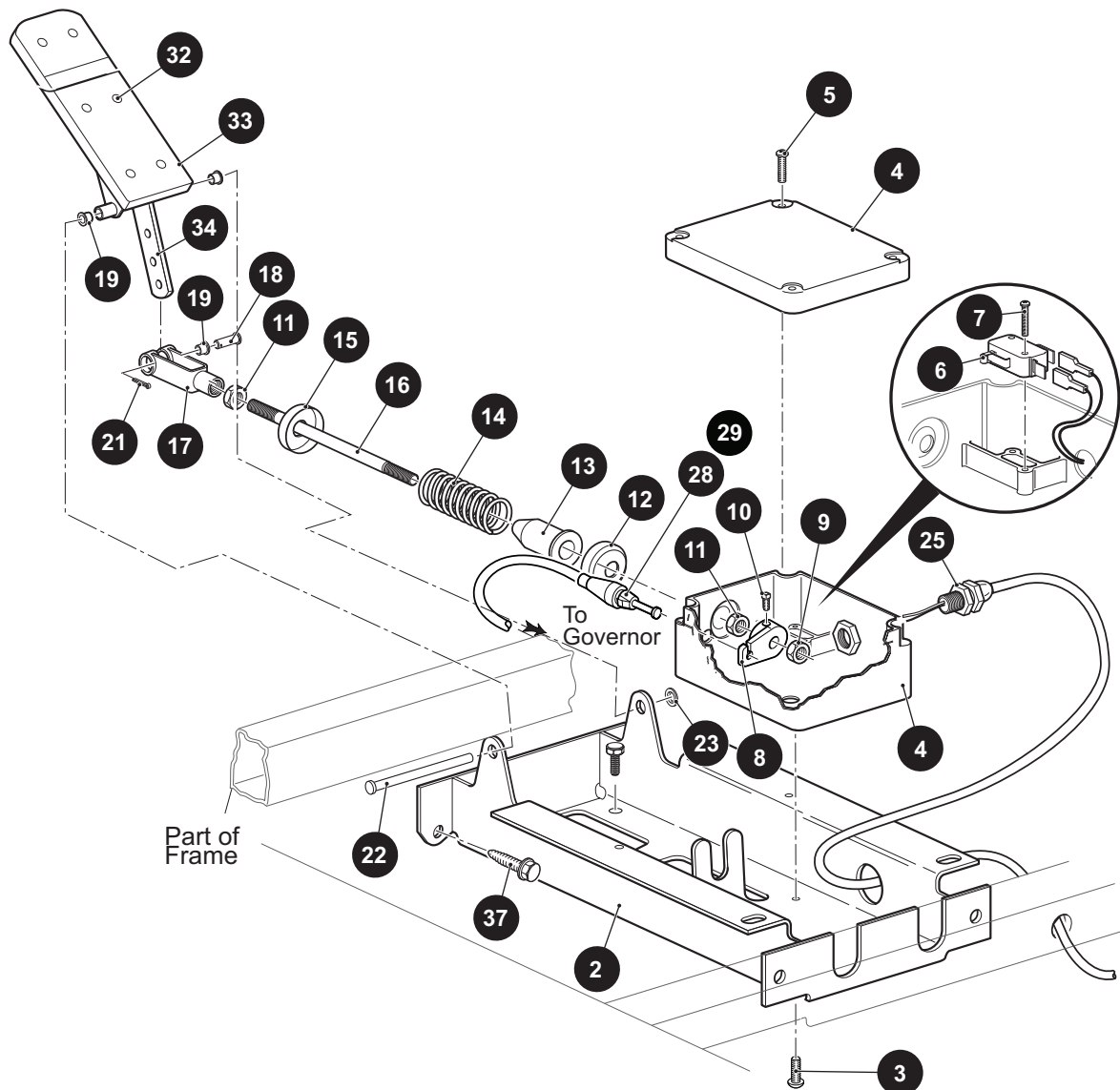
3. COLOR CODE FOR BODY COMPONENTS

The last two digits of the part number for the body part will denote the color code. Locate the part number for the cowl, rear body, seat pod, side panel or seat wrap then locate your color in the list below. Replace the last ** or XX with the two digit color code.

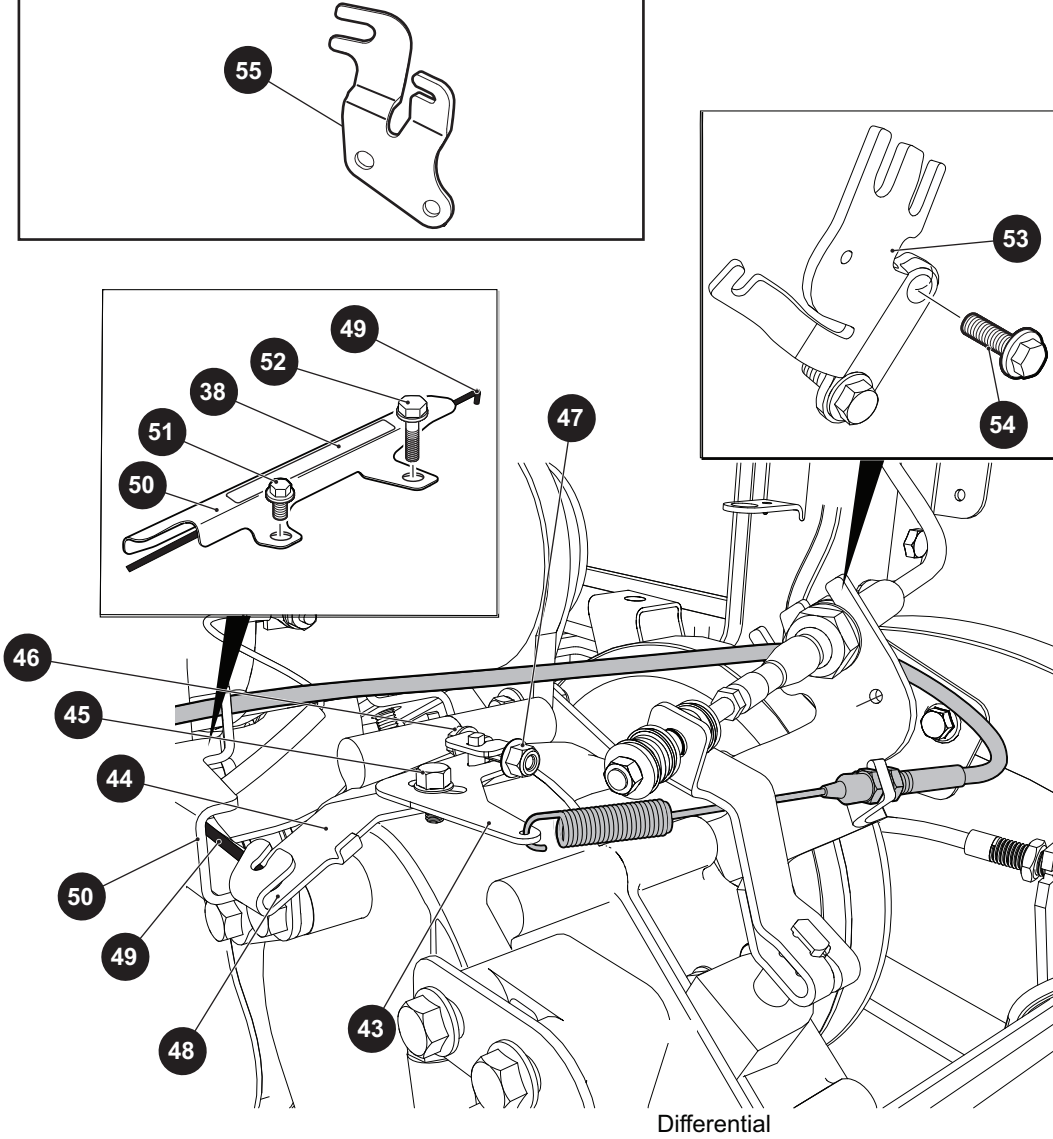
<u>CODE #</u>	<u>DESCRIPTION</u>	<u>CODE #</u>	<u>DESCRIPTION</u>
05	JACOBSEN ORANGE	105	JACOBSEN ORANGE (WITH LIGHTS)
11	BLACK	111	BLACK (WITH LIGHTS)
17	LIGHT BEIGE	119	PATRIOT BLUE PEARL (WITH LIGHTS)
18	MUSHROOM	120	INFERNO RED METALLIC (WITH LIGHTS)
19	PATRIOT BLUE PEARL	126	STEEL BLUE PEARL (WITH LIGHTS)
20	INFERNO RED METALLIC	131	METALLIC CHARCOAL (WITH LIGHTS)
26	STEEL BLUE PEARL	135	SAFETY YELLOW (WITH LIGHTS)
31	METALLIC CHARCOAL	136	IVORY (WITH LIGHTS)
35	SAFETY YELLOW	137	FOREST GREEN (WITH LIGHTS)
36	IVORY	138	BRIGHT WHITE (WITH LIGHTS)
37	FOREST GREEN	139	FLAME RED (WITH LIGHTS)
38	BRIGHT WHITE	141	ELECTRIC BLUE (WITH LIGHTS)
39	FLAME RED	142	PLATINUM (WITH LIGHTS)
41	ELECTRIC BLUE	143	BURGUNDY (WITH LIGHTS)
42	PLATINUM	144	ALMOND (WITH LIGHTS)
43	BURGUNDY	151	SUNBURST ORANGE (WITH LIGHTS)
44	ALMOND	152	BRITISH RACING GREEN (WITH LIGHTS)
51	SUNBURST ORANGE	174	BARLEY GOLD (WITH LIGHTS)
52	BRITISH RACING GREEN	175	OASIS GREEN (WITH LIGHTS)
74	BARLEY GOLD	176	JAVA BROWN (WITH LIGHTS)
75	OASIS GREEN		
76	JAVA BROWN		

ACCELERATOR

- 1 PEDAL BOX ASSEMBLY includes items 2 - 28, 30-34
- 30 ACCELERATOR PEDAL ASSEMBLY includes items 32 - 34
- 36 PEDAL BOX DUEL RATE ASSEMBLY includes items 2 - 26, 29-34



FOR VEHICLES MANUFACTURED FROM APRIL 2014



Differential

ACCELERATOR

When ordering parts, please specify the model and serial number of the product.

* Indicates a component that is not available as an individual part.

*** Indicates consult Customer Service Department for additional information.

ITEM	PART NO.	1	2	3	4	5	DESCRIPTION	QTY.
1	606990						PEDAL BOX ASSEMBLY (INCLUDES ITEMS 2 - 28, 30-34)	1
2	652241G03						ACCELERATOR PEDAL BRACKET	1
3	01051G01						PAN HEAD PHILLIPS SCREW, #8 - 16 X 1/2" LG	4
4	25853G03						PEDAL BOX AND COVER.....	1
5	00684G6						TRUSS HEAD PHILLIPS SCREW (SS), #8 - 32 X 3/4" LG	2
6	25861G01						MICRO SWITCH	1
7	01050G01						TORX HEAD TAPPING SCREW, #4 - 20 X 5/8" LG	2
8	72716G01						MICRO SWITCH CAM	1
9	15126G1						LOCK NUT, 5/16" - 24.....	1
10	00487G3						SET SCREW, 1/4" - 20 X 3/8" LG	1
11	00532G4						HEX JAM NUT, 5/16" - 24.....	2
12	17677G1						SPRING RETAINER	1
13	17979G1						ACCELERATOR ROD BUSHING	1
14	73046G01						COMPRESSION SPRING	1
15	17677G2						SPRING RETAINER	1
16	72072G01						ACCELERATOR ROD	1
17	10385G4						CLEVIS YOKE (ADJUSTABLE)	1
18	10386G3						CLEVIS PIN, 5/16" X 13/16" LG.....	1
19	17838G1						NYLON BUSHING	3
20								
21	10387G3						COTTER PIN, 3/32" X 3/4" LG.....	1
22	74432G01						PEDAL PIVOT PIN, 4.87" LG.....	1
23	12064G6						PUSH NUT, 9/32"	1
24								
25	72201G04						WIRE HARNESS (PEDAL BOX).....	1
26	18659G1						ADHESIVE, THREAD LOCKING (NOT ILLUSTRATED).....	AR
27								
28	608608						ACCELERATOR CABLE.....	1
29	662663						ACCELERATOR CABLE, DUAL RATE	1

When ordering parts, please specify the model and serial number of the product.

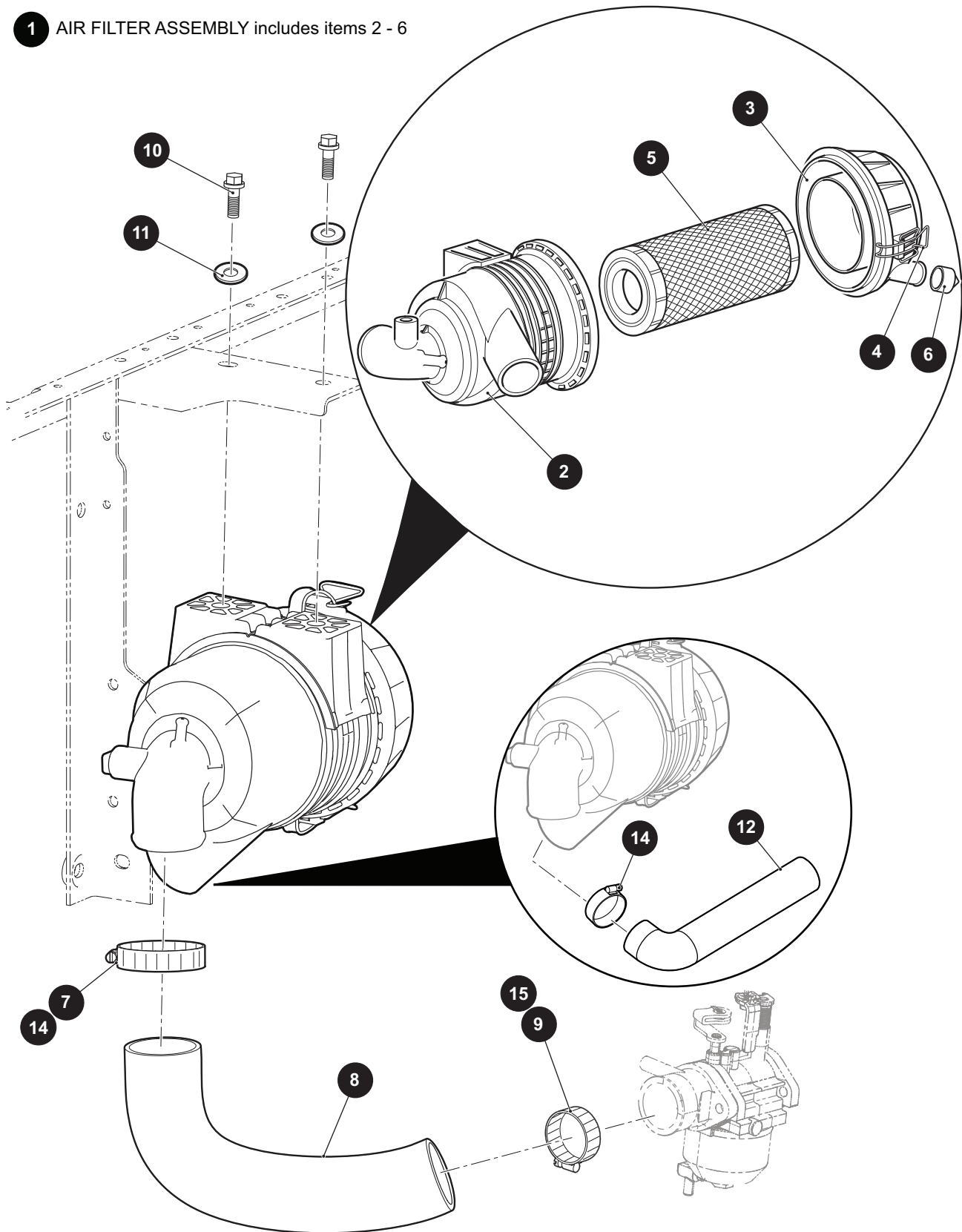
* Indicates a component that is not available as an individual part.

*** Indicates consult Customer Service Department for additional information.

ITEM	PART NO.	1 2 3 4 5	DESCRIPTION	QTY.
30	25799G03		ACCELERATOR PEDAL ASSEMBLY (INCLUDES ITEMS 32 - 34).....	1
31				
32	16409G1		OVAL RIVET, 3/16" X 7/16" LG	6
33	27512G01		ACCELERATOR PEDAL PAD.....	1
34	652824		ACCELERATOR PEDAL.....	1
35				
36	671157		PEDAL BOX ASSEMBLY, DUAL RATE (INCLUDES ITEMS 2 - 26, 29 - 34) (FLEET ONLY) (FOR VEHICLES MANUFACTURED AFTER MARCH 5, 2018).....	1
37	00715G2		HEX HEAD FLANGE BOLT, 5/16" - 18 X 4/5" LG.....	4
38	608527		GOVERNOR WARNING DECAL.....	1
39				
40				
41				
42				
43	606083		UPPER GOVERNOR BRACKET.....	1
44	606005		LOWER GOVERNOR BRACKET	1
45	606265		HEX HEAD FLANGE BOLT, M6 - 1 X 12MM LG	1
46	606421		HEX HEAD FLANGE BOLT, M6 - 1 X 30MM LG	1
47	450452		HEX HEAD FLANGE NUT, M6 - 1.0	1
48	606283		GOVERNOR LEVER BUSHING	1
49	606284		GOVERNOR ROD	1
50	603890		GOVERNOR ROD GUARD	1
51	606264		HEX HEAD FLANGE BOLT, M6 - 1 X 20MM LG	1
52	606262		HEX HEAD FLANGE BOLT, M8 - 1.25 X 16MM LG	1
53	606074		GOVERNOR CABLE / DIRECTION SELECTOR BRACKET	1
54	606256		HEX HEAD FLANGE BOLT, M10 - 1.25 X 25MM LG	2
55	632936		GOVERNOR CABLE / DIRECTION SELECTOR BRACKET (FOR VEHICLES MANUFACTURED FROM APRIL 2014)	1

AIR FILTER

1 AIR FILTER ASSEMBLY includes items 2 - 6



When ordering parts, please specify the model and serial number of the product.

* Indicates a component that is not available as an individual part.

*** Indicates consult Customer Service Department for additional information.

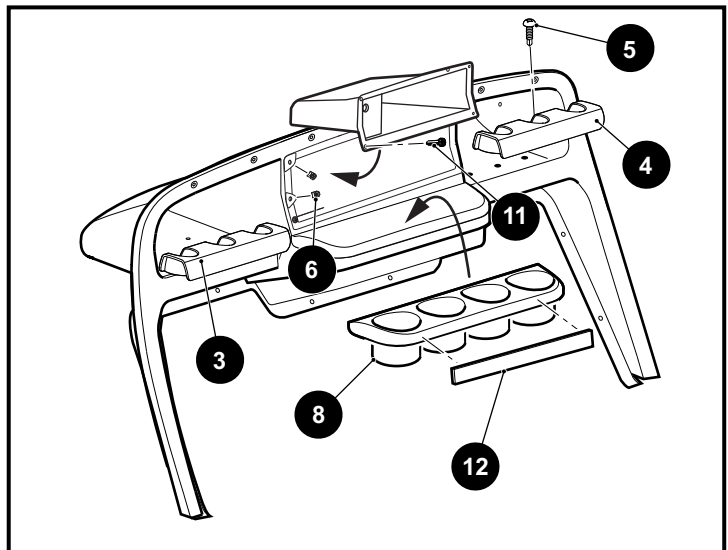
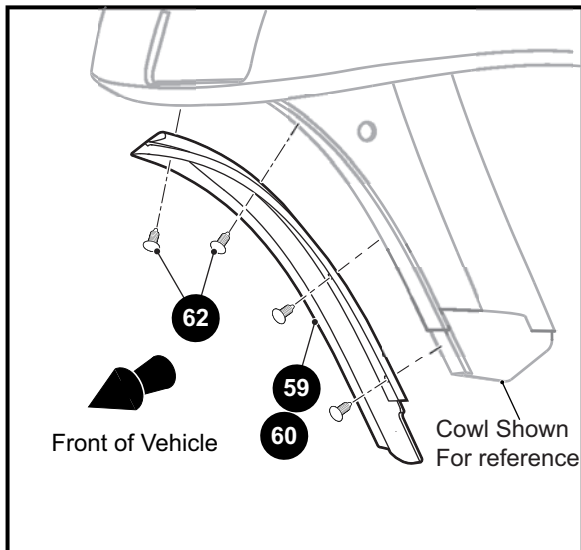
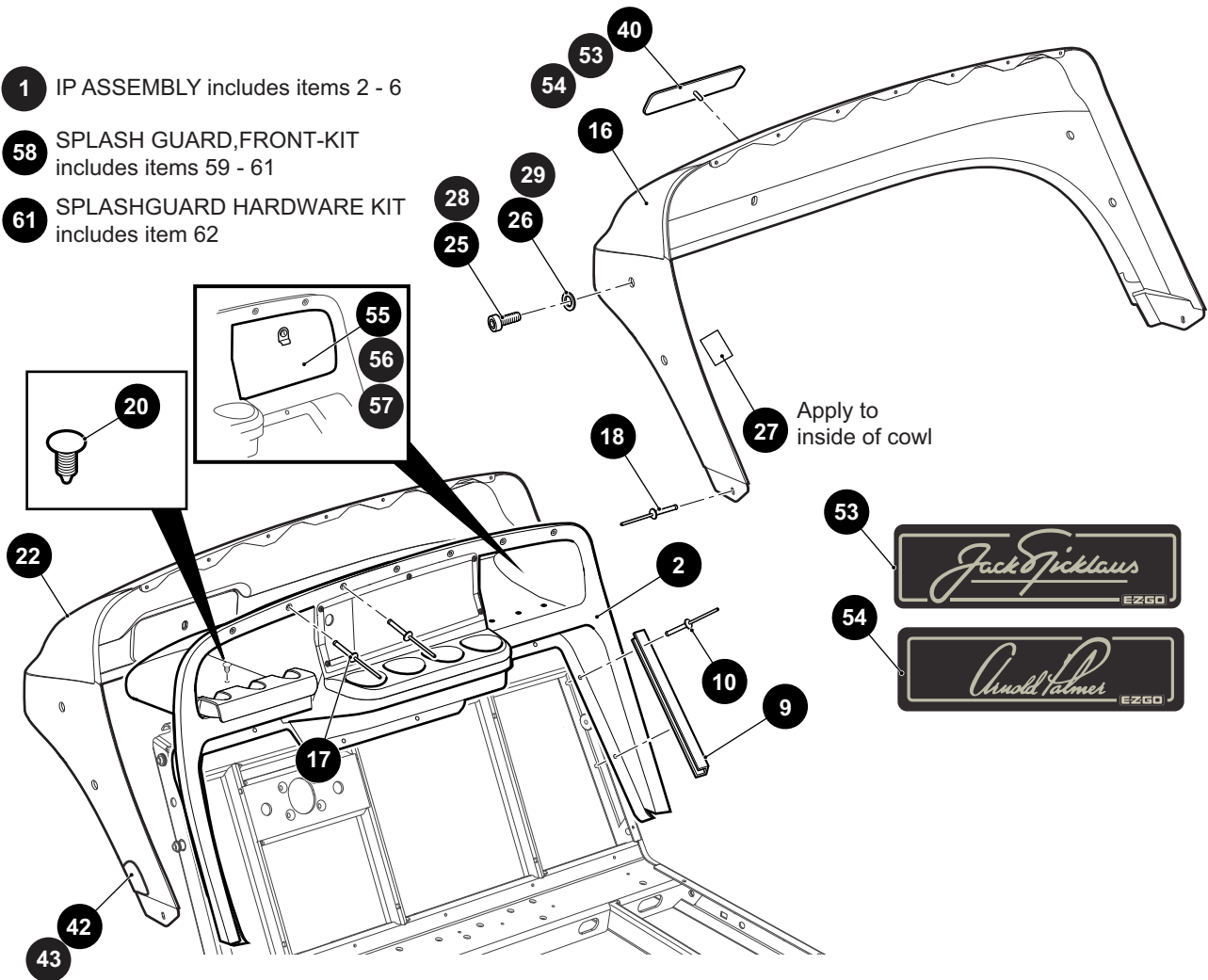
ITEM	PART NO.	1 2 3 4 5	DESCRIPTION	QTY.
1	658941		AIR FILTER ASSEMBLY (INCLUDES ITEMS 2 - 6)	1
2	659139		AIR CLEANER ASSEMBLY	1
3	658957		AIR CLEANER COVER	1
4	72604G01		AIR CLEANER CLIP	2
5	28463G01		AIR FILTER	1
6	28462G01		DUST EJECTOR VALVE	1
7	11391G7		HOSE CLAMP, 1.56" (FOR FREEDOM AND SHUTTLE 2+2)	1
8	601910		HOSE, 14" LONG	1
9	11391G1		HOSE CLAMP, 1.31" (FOR FREEDOM AND SHUTTLE 2+2)	1
10	606261		HEX HEAD FLANGE BOLT, M8 X 1.25 X 20MM LG	2
11	606272		LOCK WASHER, 8MM	2
12	676863		INTAKE EXTENSION HOSE (FOR FLEET)	1
13	31539G1		NYLON CLAMP, 15.5" LG (NOT ILLUSTRATED) (FOR FLEET)	1
14	11391G7		HOSE CLAMP, 1.56" (FOR FLEET)	2
15	11391G5		HOSE CLAMP, 0.81" (FOR FLEET)	1

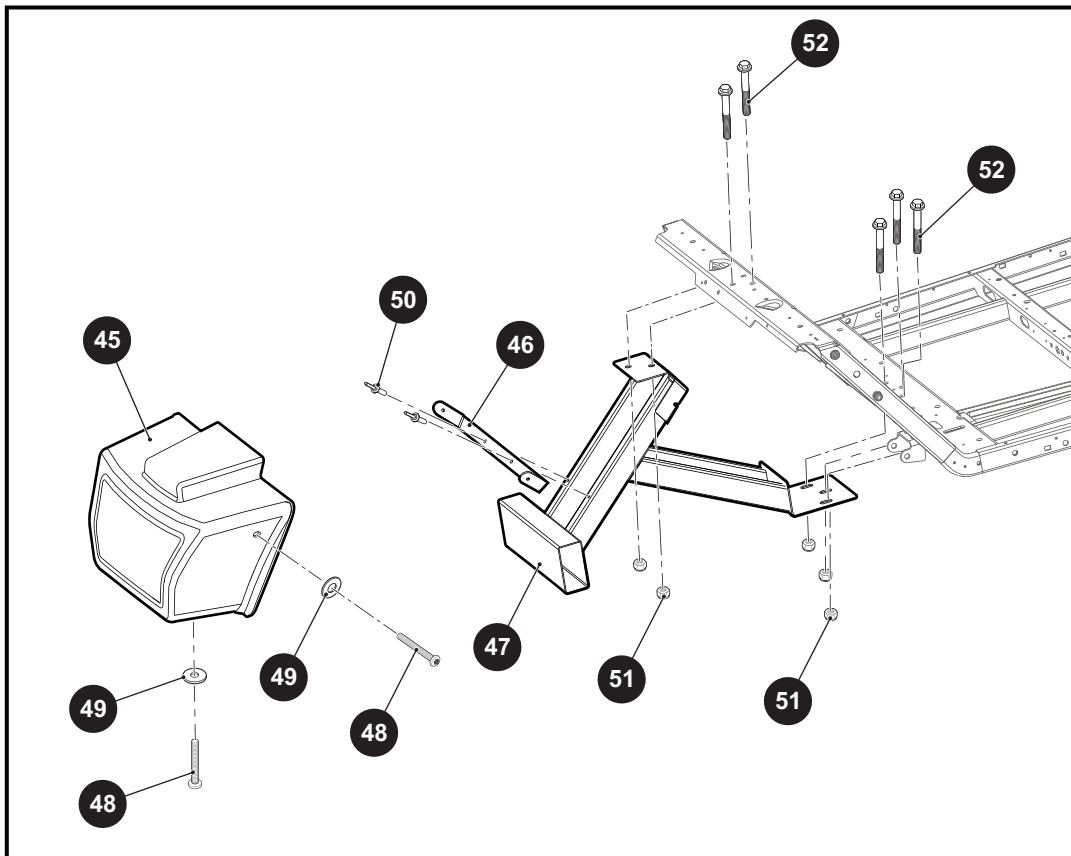
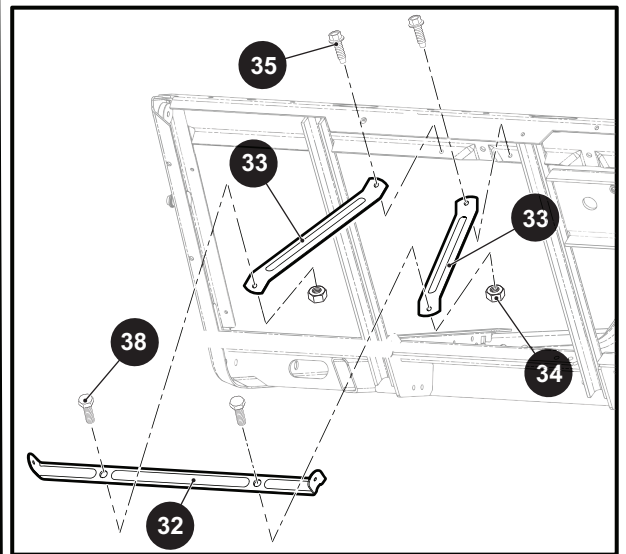
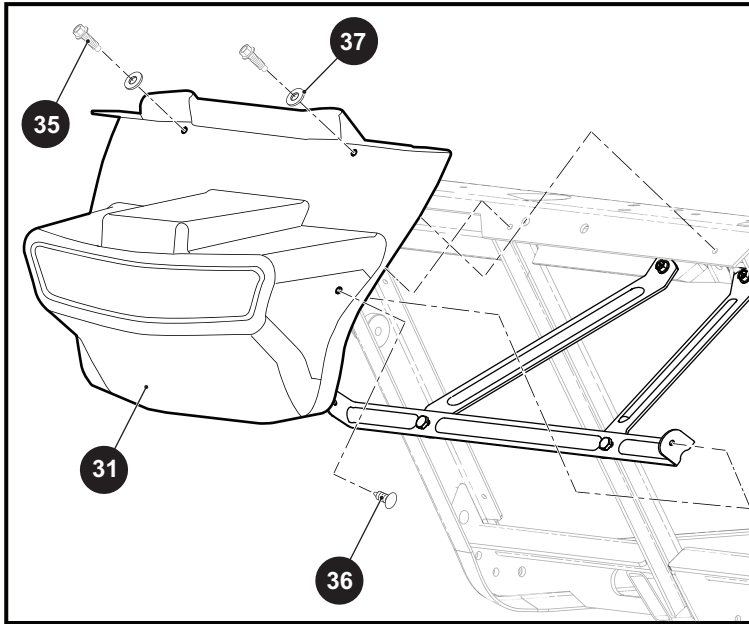
BODY - FRONT

1 IP ASSEMBLY includes items 2 - 6

58 SPLASH GUARD, FRONT-KIT includes items 59 - 61

61 SPLASHGUARD HARDWARE KIT includes item 62





BODY - FRONT

When ordering parts, please specify the model and serial number of the product.

* Indicates a component that is not available as an individual part.

*** Indicates consult Customer Service Department for additional information.

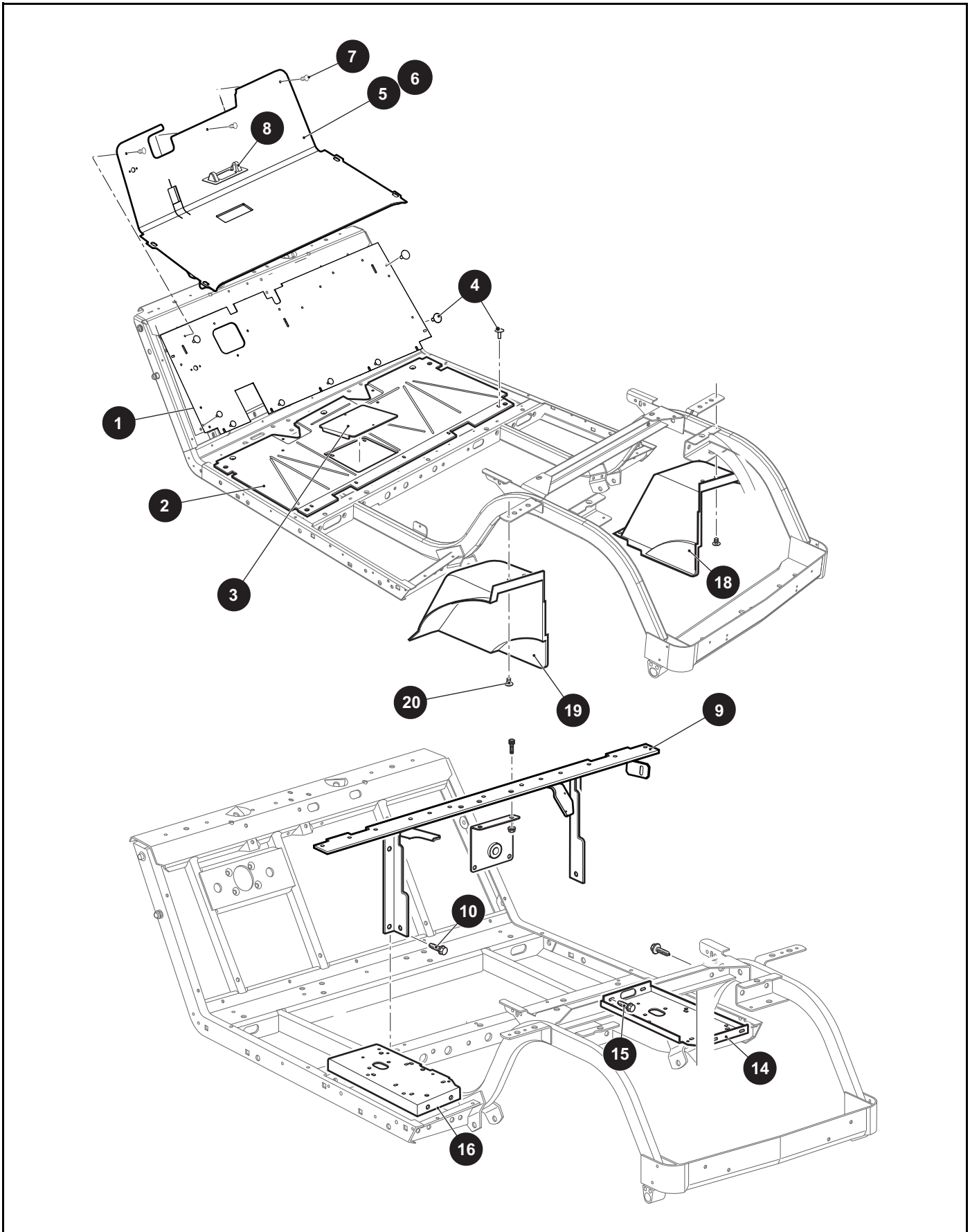
ITEM	PART NO.	1 2 3 4 5	DESCRIPTION	QTY.
1	628017		IP ASSEMBLY (INCLUDES ITEMS 2 - 6).....	1
2	628010		IP ASSEMBLY WITH COMPARTMENT	1
3	641632G01		BALL HOLDER (DRIVER SIDE)	1
4	641632G02		BALL HOLDER (PASSENGER SIDE).....	1
5	00614G3		PAN HEAD PHILLIPS TAPPING SCREW, #8 - 15 X 3/8" LG	4
6	71364G02		'J' TYPE SPEED NUT, #8 - 15 X .198" LG.....	5
7				
8	628023		CUP HOLDER	1
9	71115G01		TRIM.....	2
10	71055G01		RIVET, 3/16" X .985" DIA.....	11
11	608290		PAN HEAD PHILLIPS TAPPING SCREW, #10 - 16 X 3/4" LG	5
12	625240		SAFETY LABEL.....	1
13				
14				
15				
16	619730G0XX		COWL (see COLOR CODES in HOW TO USE section)	1
17	71055G01		RIVET, 3/16" X .985" DIA.....	7
18	10570G11		RIVET (SS), 3/16" X .70"	2
19				
20	16816G2		RATCHET RIVET, .25" X .887"	2
21				
22	619730G1XX		COWL WITH OPENINGS FOR LIGHTS (see COLOR CODES in HOW TO USE section).....	1
23				
24				
25	00438G6		HEX HEAD BOLT, 5/16" - 18 X 3/4" LG (WITH TOP).....	2
26	00571G2		FLAT WASHER, 5/16"	2
27	71781G02		VINYL TAPE	2
28	71056G01		MACHINE SCREW, 5/16" - 18 X .62" LG (WITHOUT TOP)	4
29	00570G2		FLAT WASHER, 5/16"	4
30				
31	624607		FRONT SHIELD	1

When ordering parts, please specify the model and serial number of the product.

* Indicates a component that is not available as an individual part.

*** Indicates consult Customer Service Department for additional information.

ITEM	PART NO.	1 2 3 4 5	DESCRIPTION	QTY.
32	627769		SHIELD BRACKET	1
33	70725G02		FRONT SHIELD BRACE	2
34	14390G4		PLASTIC INSERT LOCK NUT, 1/4" - 20.....	2
35	01038G01		HEX WASHER HEAD SCREW, 1/4" - 20 X 11/16" LG	4
36	15058G1		RIVET, 3/16" X .45" LG	2
37	16469G1		FLAT WASHER, 1/4"	2
38	00414G6		HEX HEAD BOLT, 1/4" - 20 X 3/4" LG	2
39				
40	606405		E-Z-GO NAMEPLATE	1
41				
42	627561		REFLECTOR (DRIVER SIDE) (FREEDOM & 2+2)	1
43	627562		REFLECTOR (PASSENGER SIDE) (FREEDOM & 2+2).....	1
44				
45	634329		BUMPER ASSEMBLY	1
46	625208		BUMPER BRACE	1
47	625202		BUMPER SUPPORT WELDMENT	1
48	627568		SOCKET HEAD TAPPING SCREW.....	3
49	627565		FLAT WASHER (SS), 1/4"	3
50	71055G01		RIVET, 3/16" X .985" DIA	2
51	00734G1		LOCK NUT, 7/16" - 14	5
52	00463G11		HEX HEAD BOLT, 7/16" - 14 X 1 5/8" LG	5
53	634299		JACK NICKLAUS NAMEPLATE	1
54	634297		ARNOLD PALMER NAMEPLATE	1
55	75459G01		GLOVE BOX (DRIVER/PASSENGER SIDE).....	1
56	75459G02		GLOVE BOX (DRIVER SIDE).....	1
57	75459G03		GLOVE BOX (PASSENGER SIDE)	1
58	656538		SPLASHGUARD FRONT-KIT (INCLUDES ITEMS 59 - 61)	1
59	651127G01		SPLASH GUARD (DRIVER SIDE)	1
60	651127G02		SPLASH GUARD (PASSENGER SIDE)	1
61	656649		SPLASHGUARD HARDWARE KIT (INCLUDES ITEM 62).....	1
62	16816G1		RATCHET RIVET, .25" X .680"	4



When ordering parts, please specify the model and serial number of the product.

* Indicates a component that is not available as an individual part.

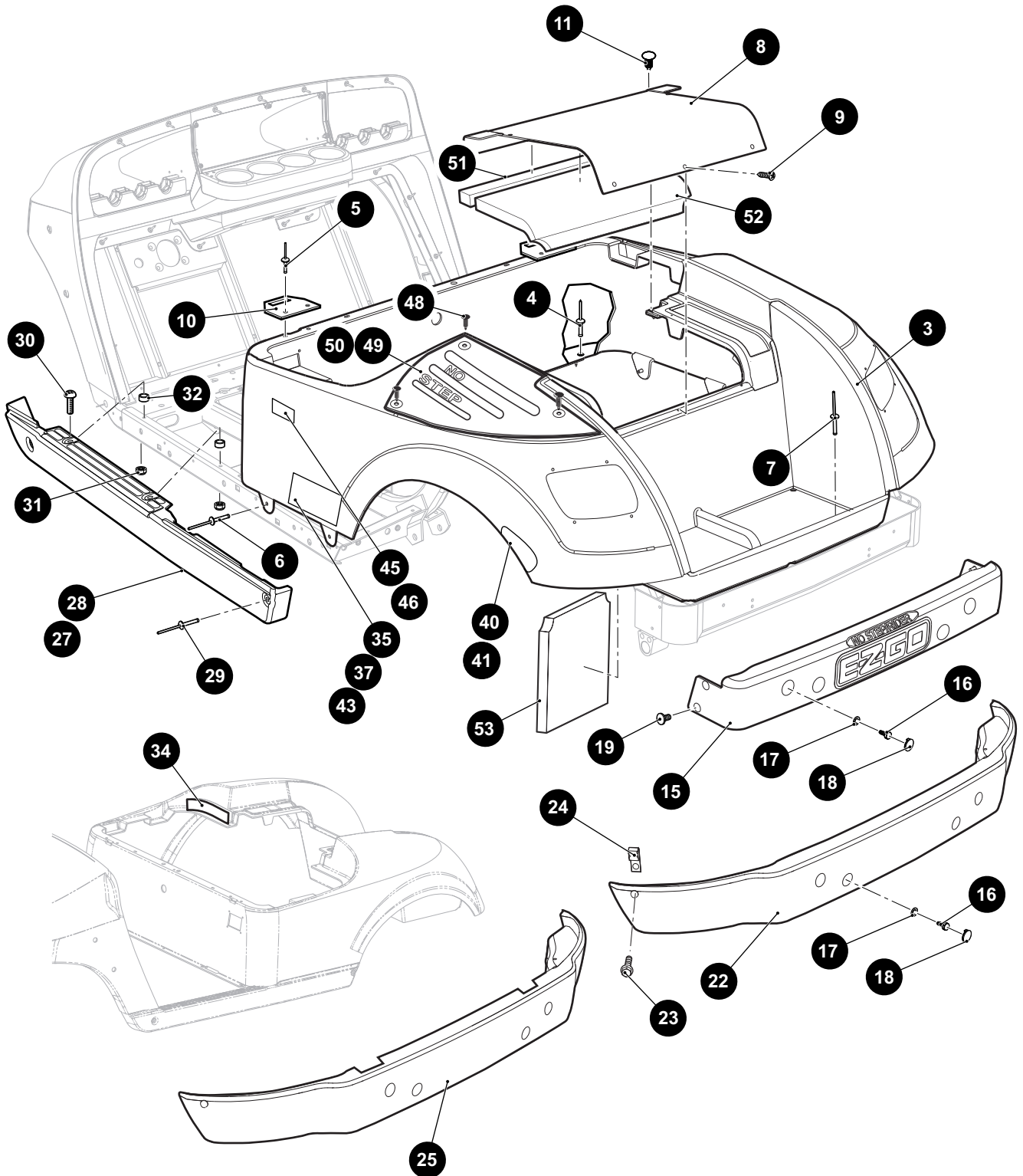
*** Indicates consult Customer Service Department for additional information.

ITEM	PART NO.	1 2 3 4 5	DESCRIPTION	QTY.
1	641260		UPPER FLOORPAN	1
2	70451G01		LOWER FLOORPAN	1
3	70452G01		ACCESS COVER.....	1
4	14601G11		RIVET (ALUMINUM), 3/16" X 9/16" LG	16
5	637535G01		FLOORMAT	1
6	637535G02		FLOORMAT WITH HORN HOLE (FREEDOM & 2+2)	1
7	16816G1		RATCHET RIVET, .25" X .680"	3
8	70135G01		PEDAL PIVOT COVER.....	1
9	605694		SEAT FRAME	1
10	00715G2		HEX HEAD FLANGE BOLT, 5/16" - 18 X 4/5" LG.....	2
11				
12				
13				
14	70244G05		SPLASH PANEL.....	2
15	00715G2		HEX HEAD FLANGE BOLT, 5/16" - 18 X 4/5" LG.....	8
16	652441G03		BATTERY TRAY.....	1
17				
18	635054G02		FENDER LINER (PASSENGER SIDE).....	1
19	635054G01		FENDER LINER (DRIVER SIDE)	1
20	16816G2		RATCHET FASTENER, 1/4" X 3/4" LG.....	8

BODY - REAR

1 REAR BODY (WITHOUT TAILLIGHTS) includes item 3

2 REAR BODY (WITH TAILLIGHTS) includes item 3



When ordering parts, please specify the model and serial number of the product.

* Indicates a component that is not available as an individual part.

*** Indicates consult Customer Service Department for additional information.

ITEM	PART NO.	1 2 3 4 5	DESCRIPTION	QTY.
1	625272G0XX		REAR BODY (WITHOUT TAILLIGHTS) (INCLUDES ITEM 3) (see COLOR CODES in HOW TO USE section)	1
2	625272G1XX		REAR BODY (WITH TAILLIGHTS) (INCLUDES ITEM 3) (see COLOR CODES in HOW TO USE section)	1
3	624374		BAGWELL LINER.....	1
4	10570G10		RIVET (SS), 5/32" X 9/16" LG.....	5
5	10570G11		RIVET (SS), 3/16" X .70" LG.....	4
6	10570G12		RIVET (SS), 1/4" X 9/16" LG.....	2
7	633917		PLASTIC RIVET, 1/4" X 1" LG	2
8	71320G01		ACCESS COVER.....	1
9	01107G01		PAN HEAD TORX SCREW, #8 X .63" LG	5
10	71609G01		SEAT HINGE PLATE.....	2
11	16816G2		RATCHET FASTENER, 1/4" X 3/4" LG.....	2
12				
13				
14				
15	71578G01		REAR BUMPER.....	1
16	71102G01		HEX HEAD BOLT, 1/4" - 20 X 3/4" LG	4
17	00571G2		FLAT WASHER, 5/16".....	4
18	71455G01		BUMPER PLUG	4
19	14601G17		RIVET (ALUMINUM), 3/16" X 9/16" LG	4
20				
21				
22	71456G01		REAR BUMPER (2+2)	1
23	71102G01		HEX HEAD BOLT, 1/4" - 20 X 3/4" LG	2
24	71554G01		'J' TYPE NUT RETAINER, 1/4" - 20.....	2
25	71451G02		REAR BUMPER (2+2)	1
26				
27	615239		ROCKER PANEL WITH SILL PLATE (DRIVER SIDE)	1
28	617333		ROCKER PANEL WITH SILL PLATE (PASSENGER SIDE).....	1
29	15058G6		BLACK RIVET (ALUMINUM), 3/16"	4
30	634161		HEXALOBULAR FLANGE BOLT, M6 - 1 X 34.5MM LG	4

BODY - REAR

When ordering parts, please specify the model and serial number of the product.

* Indicates a component that is not available as an individual part.

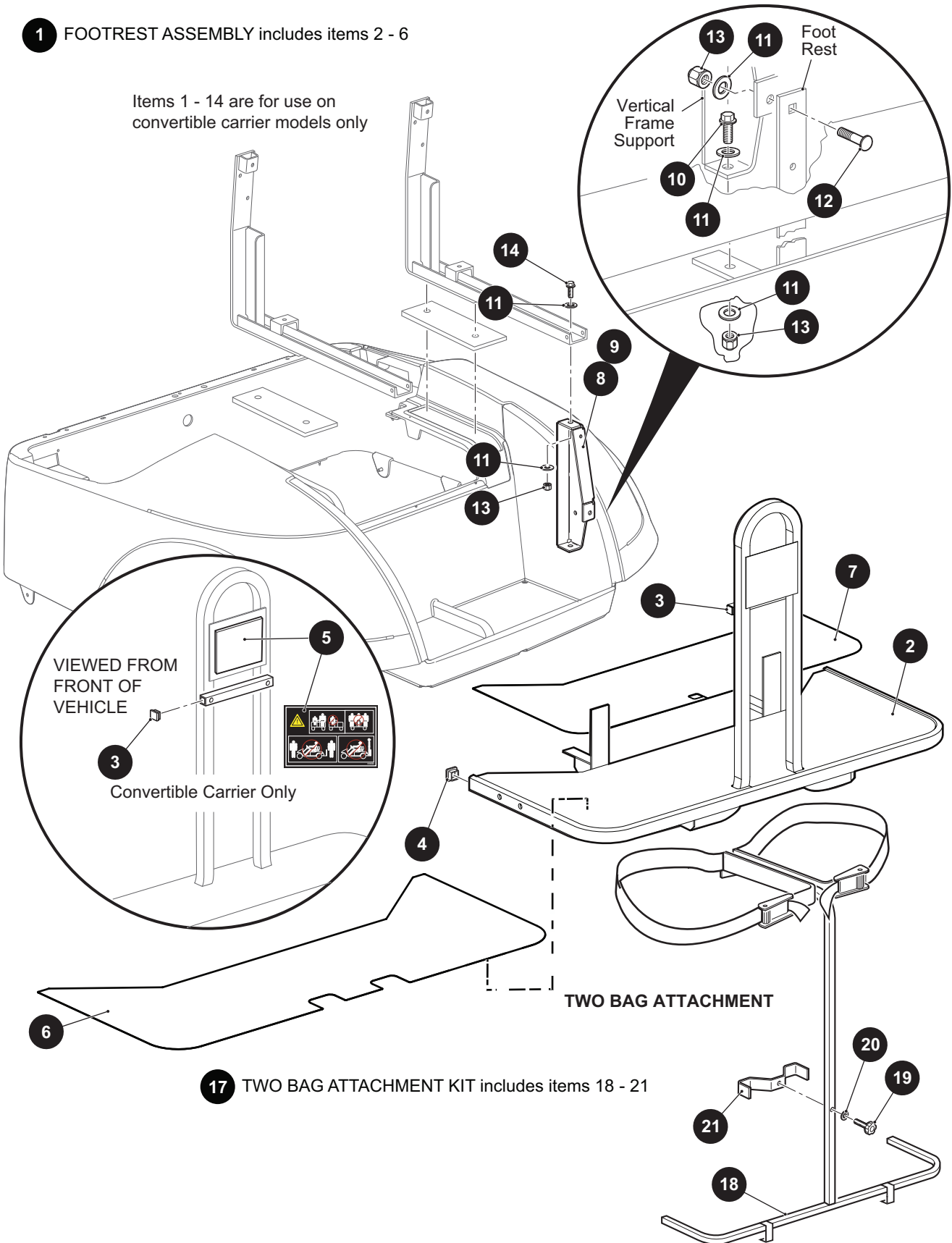
*** Indicates consult Customer Service Department for additional information.

ITEM	PART NO.	1 2 3 4 5	DESCRIPTION	QTY.
31	601476		LOCK NUT, M6 - 1.....	4
32	23726G4		SPACER, 5/16".....	4
33				
34	74093G01		ENGINE WARNING DECAL.....	1
35	614202		DECAL (FLEET).....	2
36				
37	614386		DECAL (FREEDOM).....	2
38	625244		REAR REFLECTORS (DRIVER SIDE) (FREEDOM & 2+2) (NOT ILLUSTRATED).....	1
39	625246		REAR REFLECTORS (PASSENGER SIDE) (FREEDOM & 2+2) (NOT ILLUSTRATED).....	1
40	627563		SIDE REFLECTORS (DRIVER SIDE) (FREEDOM & 2+2).....	1
41	627564		SIDE REFLECTORS (PASSENGER SIDE) (FREEDOM & 2+2).....	1
42				
43	614453		DECAL (2+2).....	2
44				
45	604847		GOLDEN BEAR DECAL.....	2
46	604850		UMBRELLA DECAL.....	2
47				
48	16816G2		RATCHET RIVET, .25" X .887".....	6
49	625210		REAR SCUFF PAD (DRIVER SIDE).....	1
50	625211		REAR SCUFF PAD (PASSENGER SIDE).....	1

BODY - ACCESSORIES

1 FOOTREST ASSEMBLY includes items 2 - 6

Items 1 - 14 are for use on convertible carrier models only



BODY - ACCESSORIES

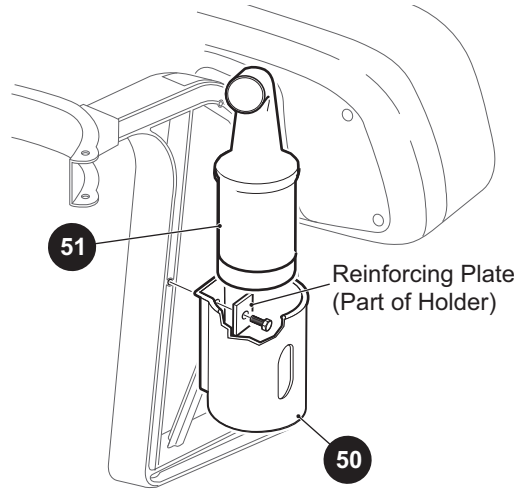
When ordering parts, please specify the model and serial number of the product.

* Indicates a component that is not available as an individual part.

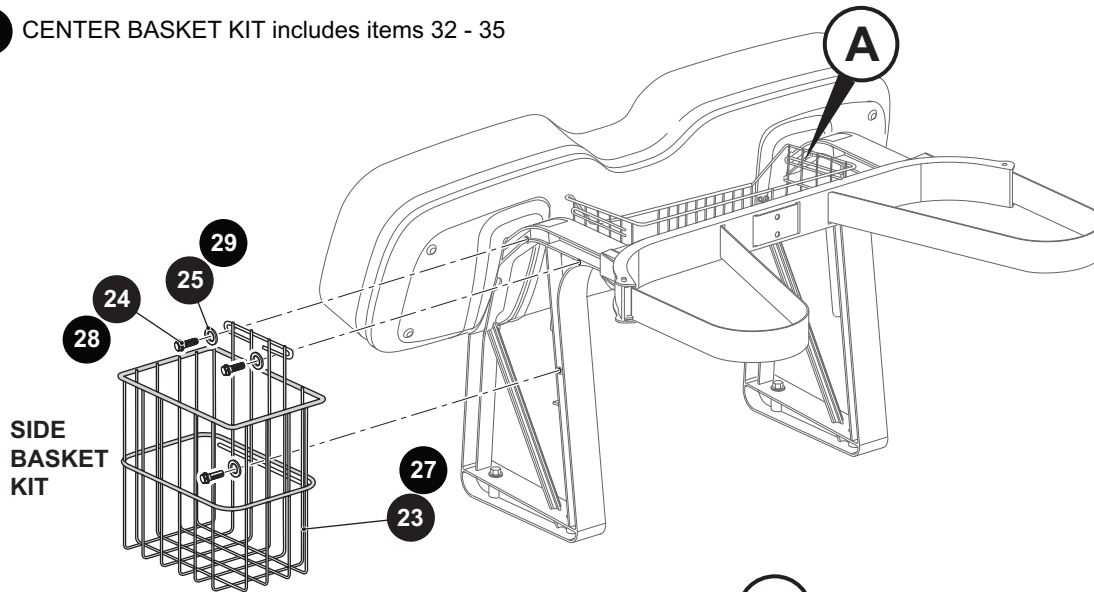
*** Indicates consult Customer Service Department for additional information.

ITEM	PART NO.	1 2 3 4 5	DESCRIPTION	QTY.
1	70361G01		FOOTREST ASSEMBLY (INCLUDES ITEMS 2 - 6)	1
2	70633G01		FOOTREST	1
3	19859G1		END CAP, 3/4"	2
4	19853G1		END CAP, 1"	2
5	610630		WARNING LABEL	1
6	640652		FOOTREST GRIPTAPE	1
7	70362G01		RUBBER FLOOR MAT	1
8	74126G01		VERTICAL FRAME SUPPORT (DRIVER SIDE)	1
9	74126G02		VERTICAL FRAME SUPPORT (PASSENGER SIDE)	1
10	00427G6		HEX HEAD BOLT, 3/8" - 16 X 1 1/4" LG	2
11	00560G1		FLAT WASHER, 3/8"	10
12	00769G2		CARRIAGE BOLT, 3/8" - 16 X 1 1/4" LG	2
13	11098G5		LOCK NUT, 3/8" - 16	6
14	00426G8		HEX HEAD BOLT, 3/8" - 16 X 3/4" LG	2
15				
16				
17	75183G01		TWO BAG ATTACHMENT KIT (INCLUDES ITEMS 18 - 21)	1
18	75188G01		TWO BAG ATTACHMENT	1
19	22238G2		KNOB, 3/8" - 16 X 1 1/2" LG	1
20	17255G1		TEFLON WASHER, 5/16"	1
21	75187G01		SUPPORT BRACKET	1

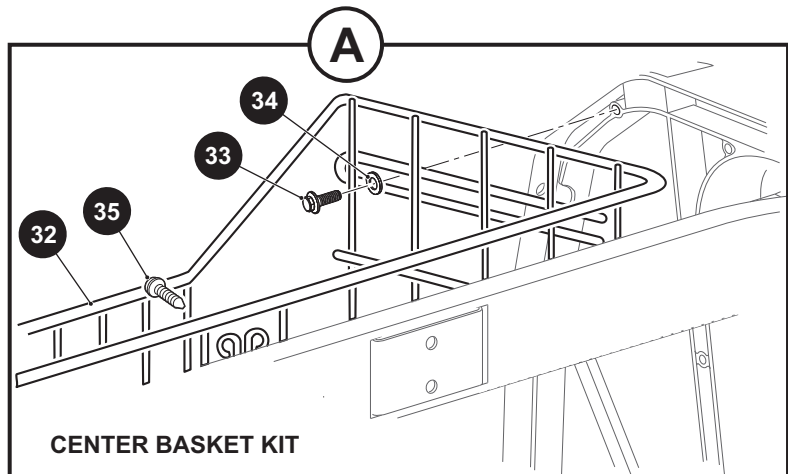
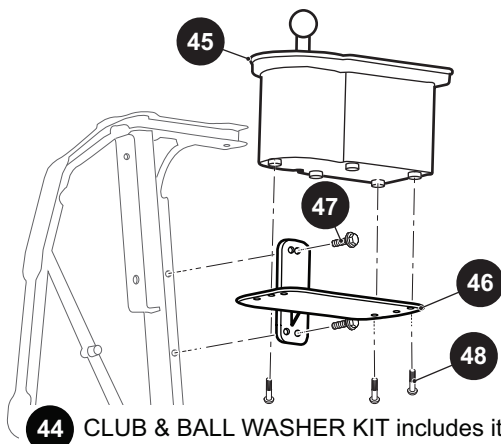
SAND BOTTLE DIVOT REPAIR KIT



- 22 SIDE BASKET KIT (ONE) includes items 23 - 25
- 26 SIDE BASKET KIT (TWO) includes items 27 - 29
- 31 CENTER BASKET KIT includes items 32 - 35



CLUB & BALL WASHER KIT



BODY - ACCESSORIES

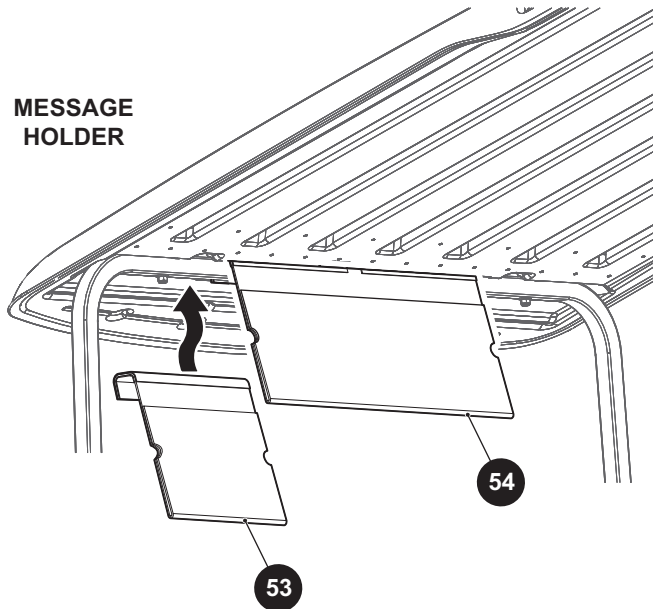
When ordering parts, please specify the model and serial number of the product.

* Indicates a component that is not available as an individual part.

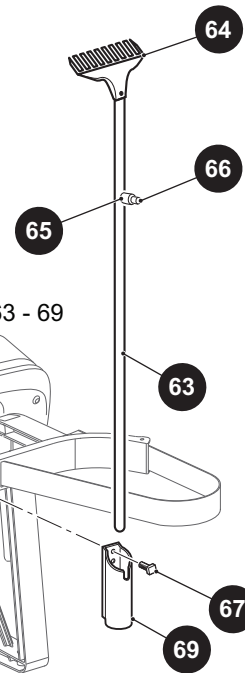
*** Indicates consult Customer Service Department for additional information.

ITEM	PART NO.	1 2 3 4 5	DESCRIPTION	QTY.
22	75007G01		SIDE BASKET KIT WITH ONE BASKET (INCLUDES ITEMS 23 - 25)	1
23	75460G01		SIDE BASKET	1
24	71102G01		HEX HEAD BOLT, 1/4" - 20 X 3/4" LG.....	3
25	00793G2		FLAT WASHER (SS), 1/4"	3
26	75007G03		SIDE BASKET KIT WITH TWO BASKET (INCLUDES ITEMS 27 - 29).....	1
27	75460G01		SIDE BASKET	2
28	71102G01		HEX HEAD BOLT, 1/4" - 20 X 3/4" LG.....	6
29	00793G2		FLAT WASHER (SS), 1/4"	6
30				
31	75003G02		CENTER BASKET KIT (INCLUDES ITEMS 32 - 35).....	1
32	75461G01		CENTER BASKET	1
33	71102G01		HEX HEAD BOLT, 1/4" - 20 X 3/4" LG.....	2
34	00793G2		FLAT WASHER (SS), 1/4"	2
35	01105G01		TRUSS HEAD TORX SCREW (SS), #10 - 14 X 5/8" LG	2
36				
37				
38				
39				
40				
41				
42				
43				
44	627900		CLUB & BALL WASHER KIT (INCLUDES ITEMS 45 - 48)	1
45	*		CLUB & BALL WASHER	1
46	*		CLUB & BALL WASHER WELDMENT.....	1
47	*		HEX HEAD BOLT, 1/4" - 20 X 3/4" LG.....	2
48	*		PAN HEAD PHILLIPS SELF TAPPING SCREW, #8 - 18 X 1" LG	3
49				
50	28660G01		SAND BOTTLE HOLDER	1
51	633612		SAND BOTTLE	1
52	614191		SAND BOTTLE HARDWARE KIT (NOT ILLUSTRATED).....	1

MESSAGE HOLDER

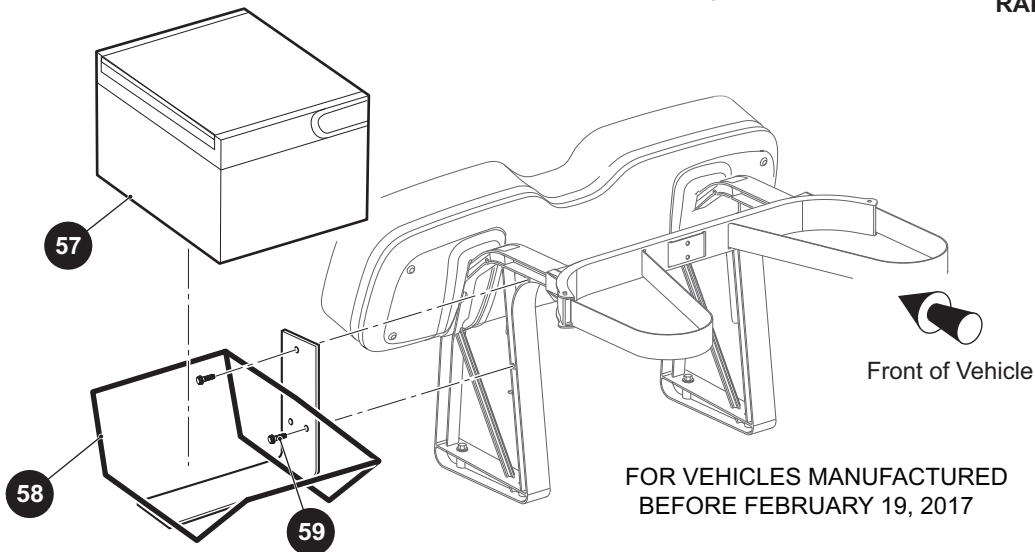


62 RAKE ASSEMBLY includes items 63 - 69



BOX COOLER AND BRACKET

56 COOLER KIT includes items 57 - 59



RAKE ASSEMBLY

FOR VEHICLES MANUFACTURED
BEFORE FEBRUARY 19, 2017

BODY - ACCESSORIES

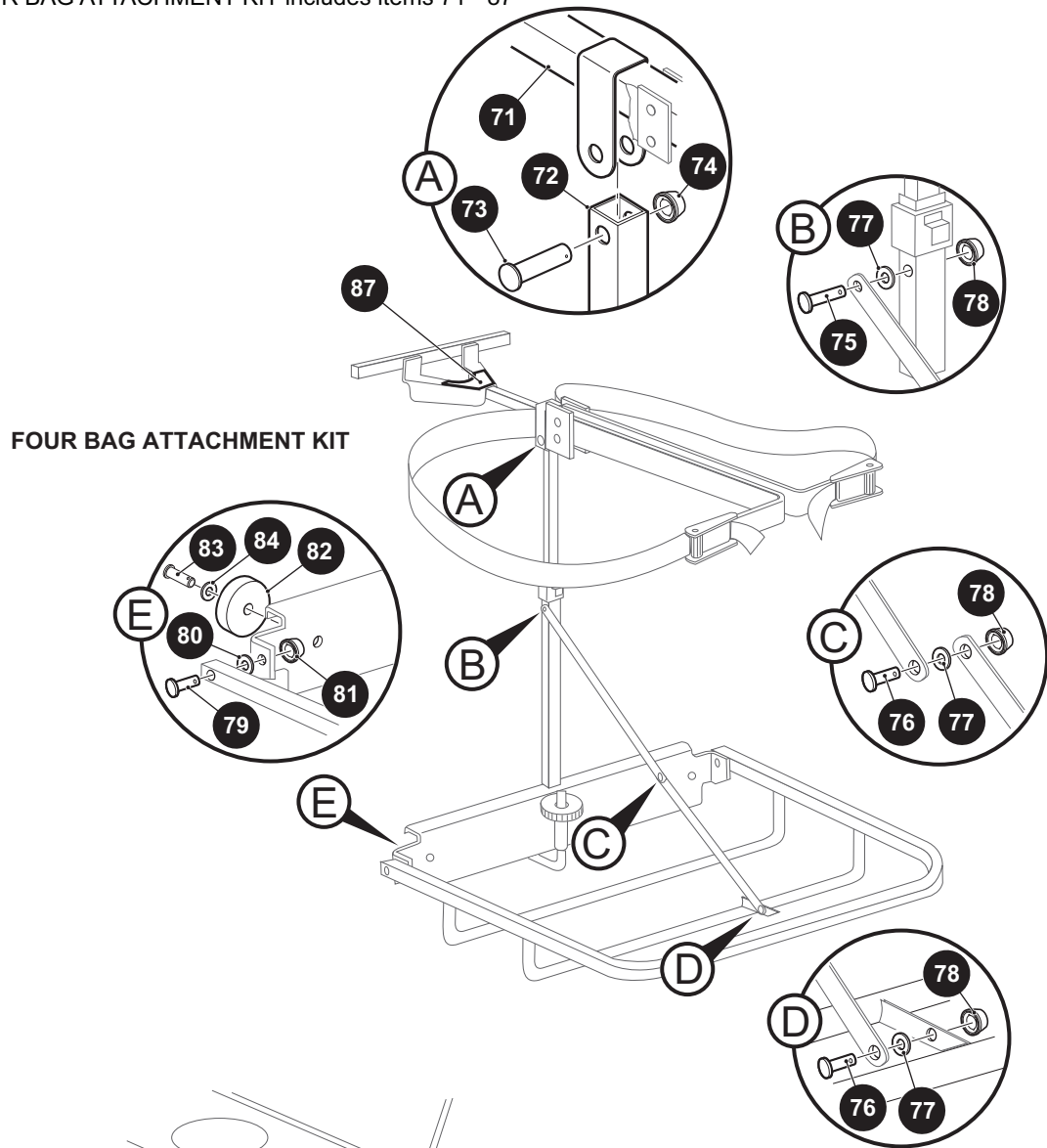
When ordering parts, please specify the model and serial number of the product.

* Indicates a component that is not available as an individual part.

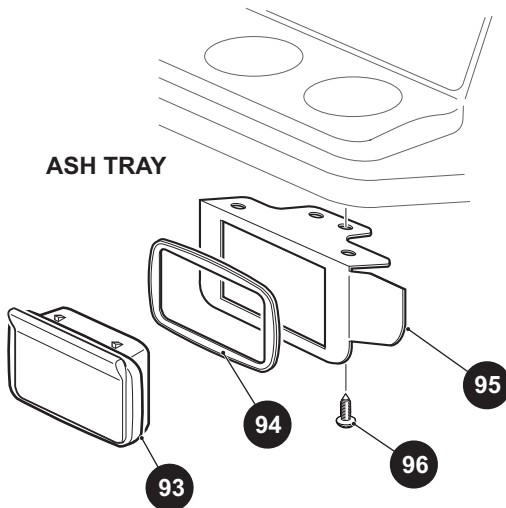
*** Indicates consult Customer Service Department for additional information.

ITEM	PART NO.	1 2 3 4 5	DESCRIPTION	QTY.
53	609308		MESSAGE HOLDER	1
54	617613		MESSAGE HOLDER, DOUBLE.....	1
55				
56	634319		COOLER KIT (INCLUDES ITEMS 57 - 59) (FOR VEHICLES MANUFACTURED BEFORE FEBRUARY 19, 2017)	1
57	601366		BEVERAGE COOLER.....	1
58	634154		COOLER BRACKET.....	1
59	71102G01		HEX HEAD BOLT, 1/4" - 20 X 3/4" LG.....	3
60				
61				
62	14735G1		RAKE ASSEMBLY (INCLUDES ITEMS 63 - 69).....	1
63	14736G2		RAKE HANDLE	1
64	14737G1		RAKE	1
65	14934G1		SPACER	1
66	00130G8		ROUND HEAD PHILLIPS WOOD SCREW, #10 - 13 X 5/8" LG	1
67	00989G06		SQUARE HEAD BOLT, 1/4" - 20 X 3/4" LG.....	2
68	11027G2		LOCK NUT, 1/4" - 20	2
69	25885G01		RAKE HOLDER.....	1

70 FOUR BAG ATTACHMENT KIT includes items 71 - 87



ASH TRAY



92 ASH TRAY KIT includes items 93 - 96

BODY - ACCESSORIES

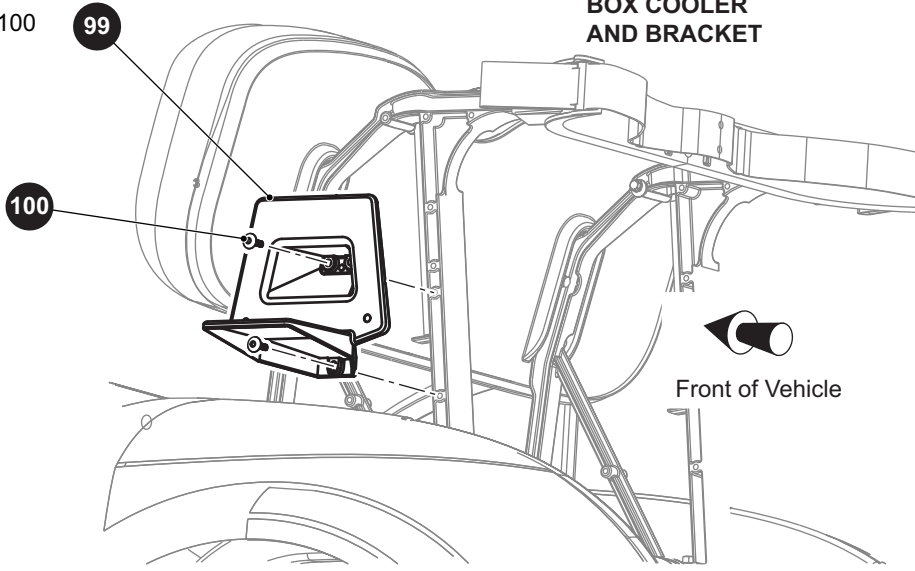
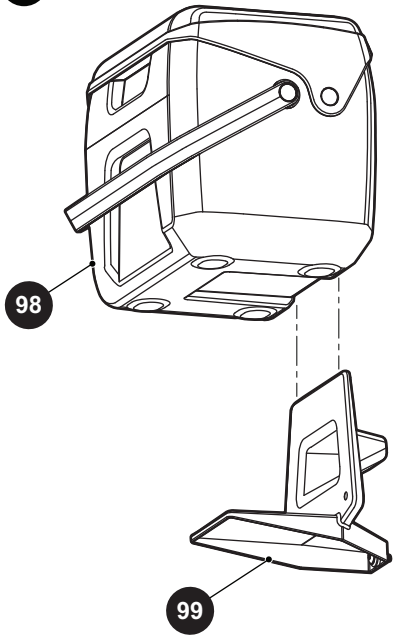
When ordering parts, please specify the model and serial number of the product.

* Indicates a component that is not available as an individual part.

*** Indicates consult Customer Service Department for additional information.

ITEM	PART NO.	1 2 3 4 5	DESCRIPTION	QTY.
70	75335G01		FOUR BAG ATTACHMENT KIT (INCLUDES ITEMS 71 - 87)	1
71	*		TOP ASSEMBLY	1
72	*		BOTTOM ASSEMBLY	1
73	17651G2		CLEVIS PIN, 5/16" X 1 1/8" LG	1
74	28129G01		PUSH NUT, 5/16"	1
75	17651G2		CLEVIS PIN, 5/16" X 1 1/8" LG	1
76	17651G3		CLEVIS PIN, 5/16" X 1/2" LG	2
77	00559G8		FLAT WASHER, 5/16"	3
78	28129G01		PUSH NUT, 5/16"	3
79	17651G1		CLEVIS PIN 3/8" X 1 1/4" LG	2
80	00560G1		FLAT WASHER, 3/8"	2
81	28129G02		PUSH NUT, 3/8"	2
82	13728G1		RUBBER BUMPER	2
83	14601G1		RIVET, 3/16"	2
84	00559G5		FLAT WASHER, #10	2
85				
86				
87	75130G01		WARNING LABEL	1
88				
89				
90				
91				
92	75109G03		ASH TRAY KIT (INCLUDES ITEMS 93 - 96)	1
93	27731G01		ASH TRAY	1
94	27736G01		GASKET	1
95	75108G02		BRACKET	1
96	00106G6		PAN HEAD PHILLIPS SCREW, #12 - 14 X .75" LG	4

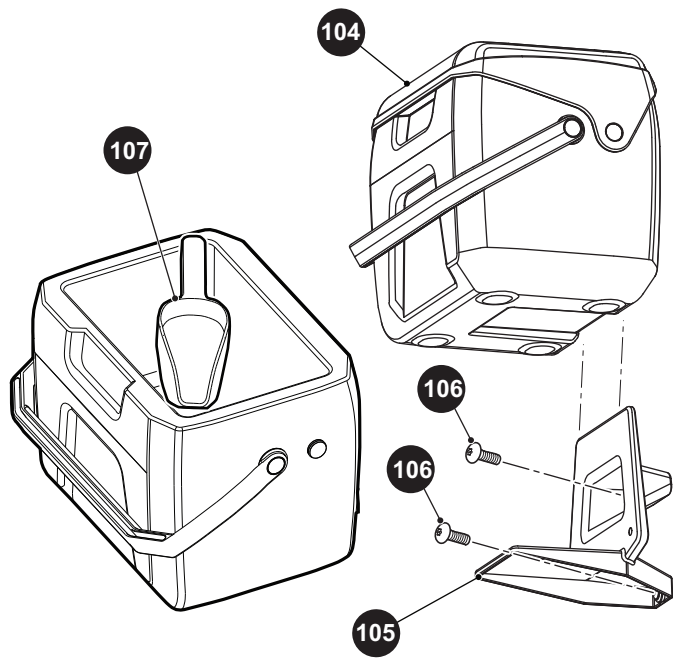
97 COOLER KIT includes items 98 - 100



BOX COOLER AND BRACKET

FOR VEHICLES MANUFACTURED
AFTER FEBRUARY 19, 2017

103 SAND BUCKET KIT includes items 104 - 107



SAND BUCKET KIT

BODY - ACCESSORIES

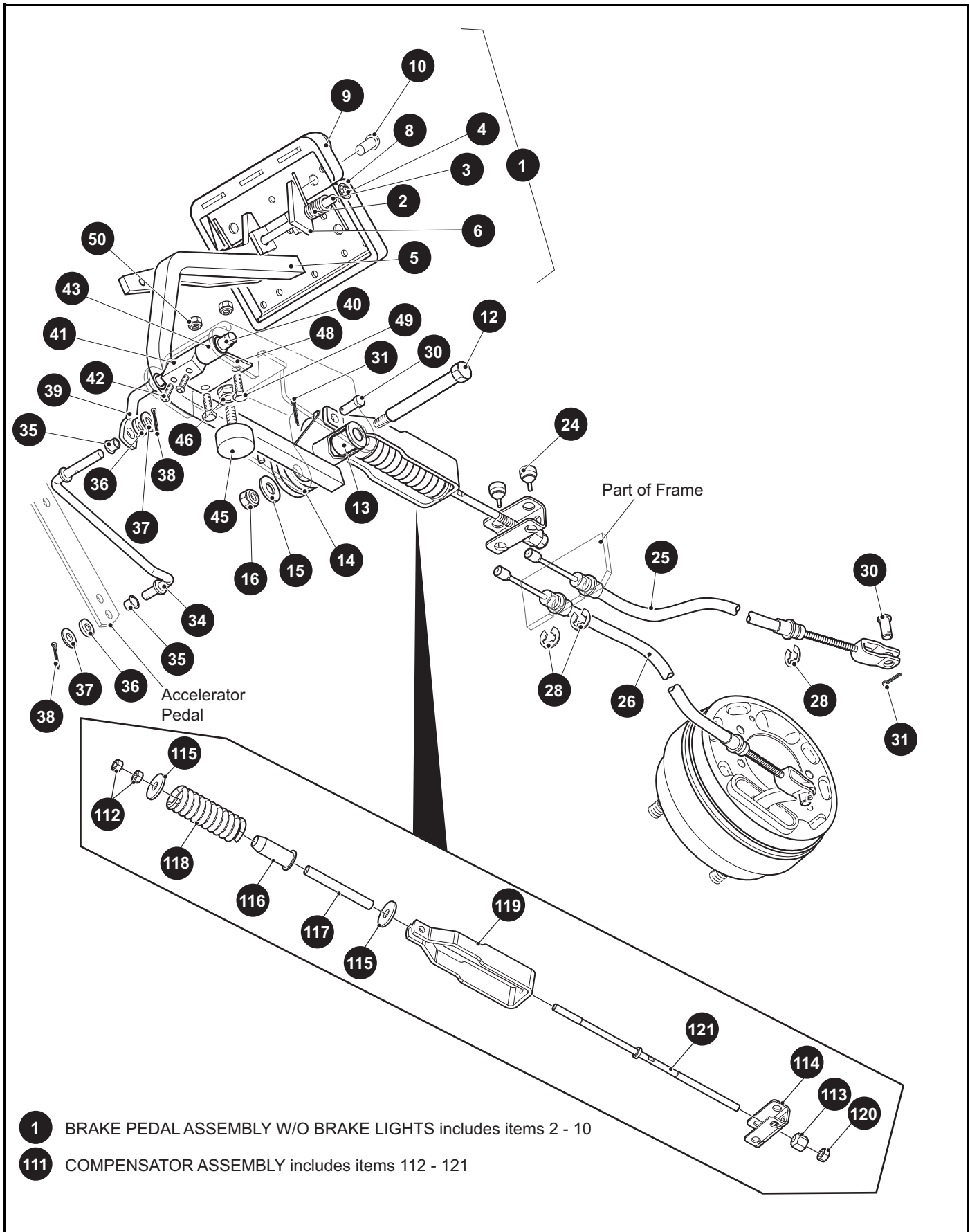
When ordering parts, please specify the model and serial number of the product.

* Indicates a component that is not available as an individual part.

*** Indicates consult Customer Service Department for additional information.

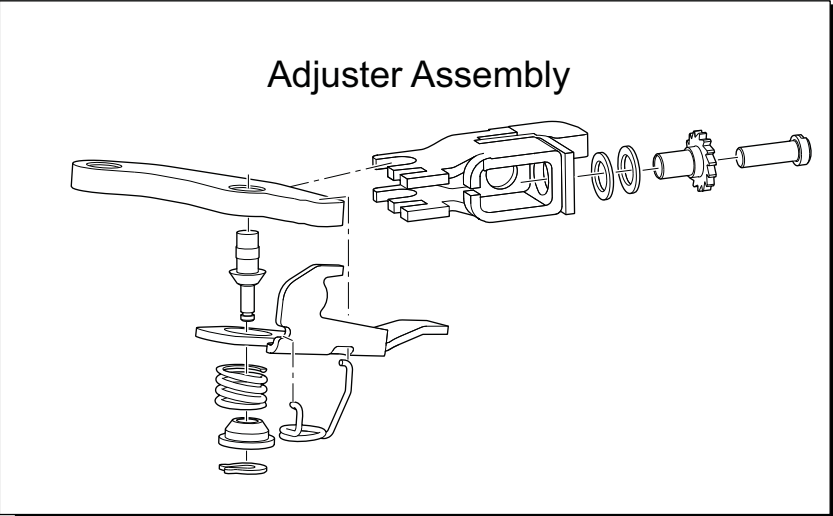
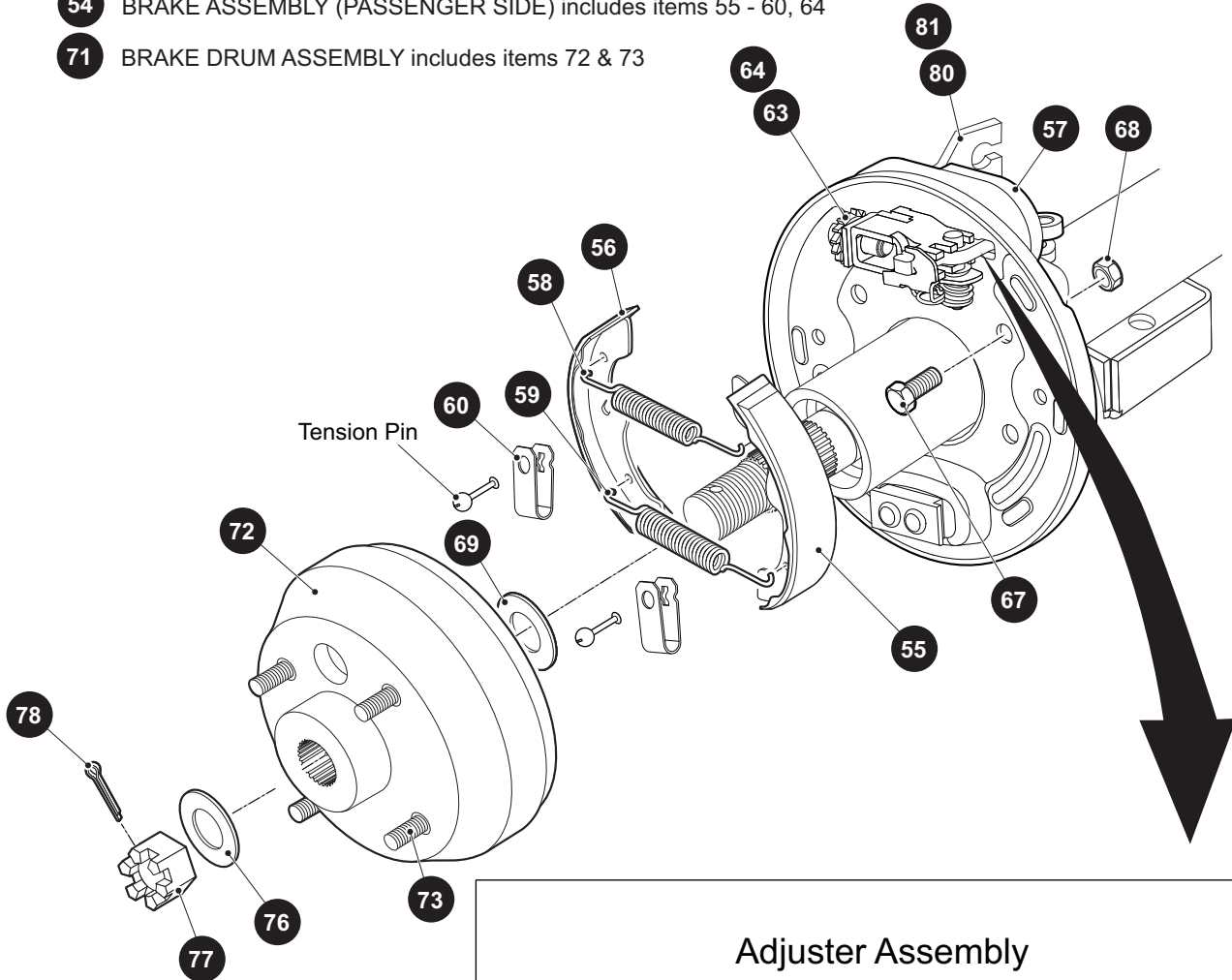
ITEM	PART NO.	1 2 3 4 5	DESCRIPTION	QTY.
97	658509		COOLER KIT (INCLUDES ITEMS 98 - 100) (FOR VEHICLES MANUFACTURED AFTER FEBRUARY 19, 2017)	1
98	658503		BEVERAGE COOLER.....	1
99	658506		COOLER BRACKET.....	1
100	659155		HEX HEAD BOLT, 1/4" - 20 X 3/4" LG.....	2
101				
102				
103	664402		SAND BUCKET KIT (INCLUDES ITEMS 104 - 107) (FLEET & FREEDOM)	1
104	662248		SAND BUCKET	1
105	658506		BRACKET.....	1
106	659155		TRUSS HEAD TORX SCREW, 1/4" - 20 X 3/4" LG	2
107	74848G01		SCOOP.....	1

BRAKES



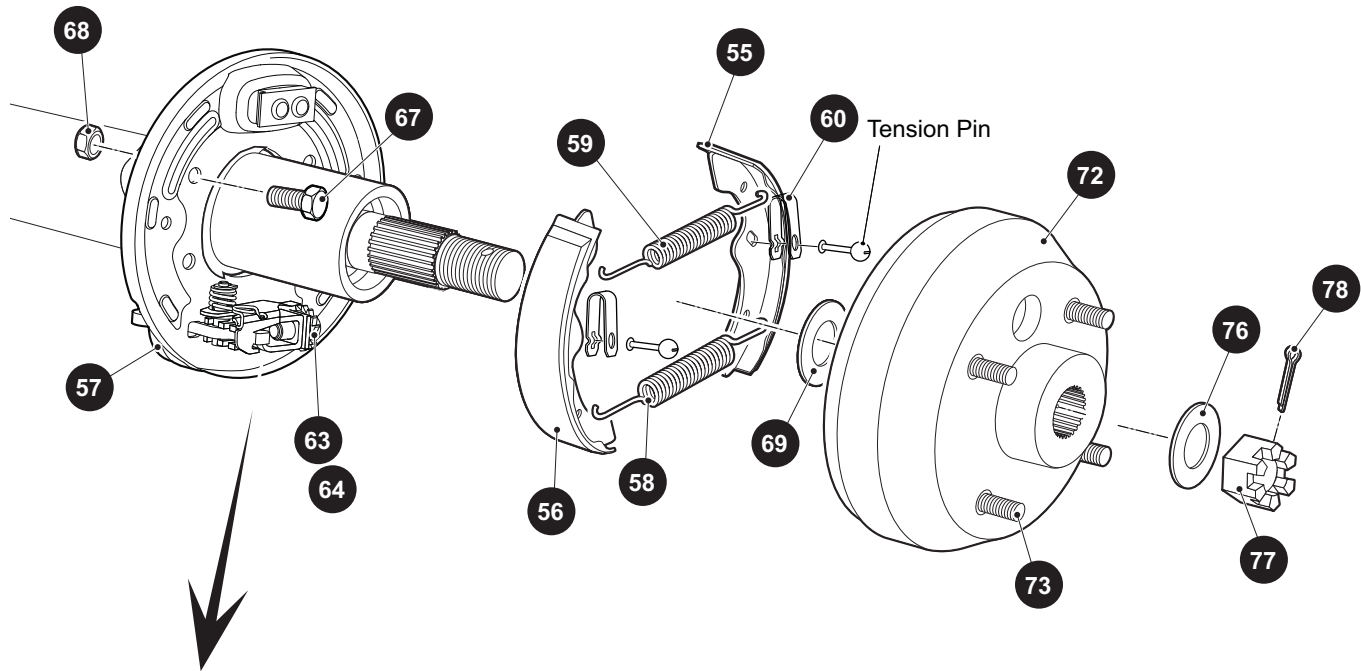
TOP PULL

- 53** BRAKE ASSEMBLY (DRIVER SIDE) includes items 55 - 60, 63
- 54** BRAKE ASSEMBLY (PASSENGER SIDE) includes items 55 - 60, 64
- 71** BRAKE DRUM ASSEMBLY includes items 72 & 73

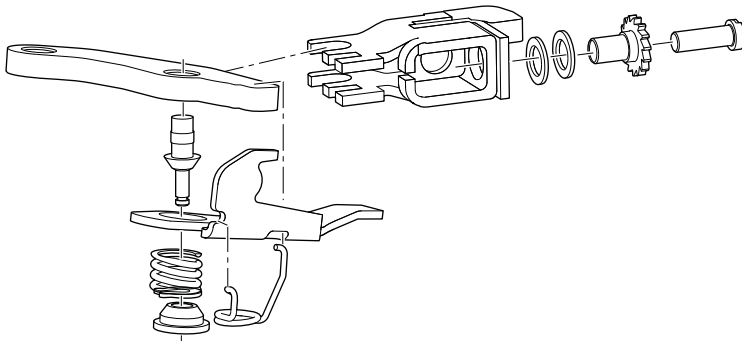


BOTTOM PULL

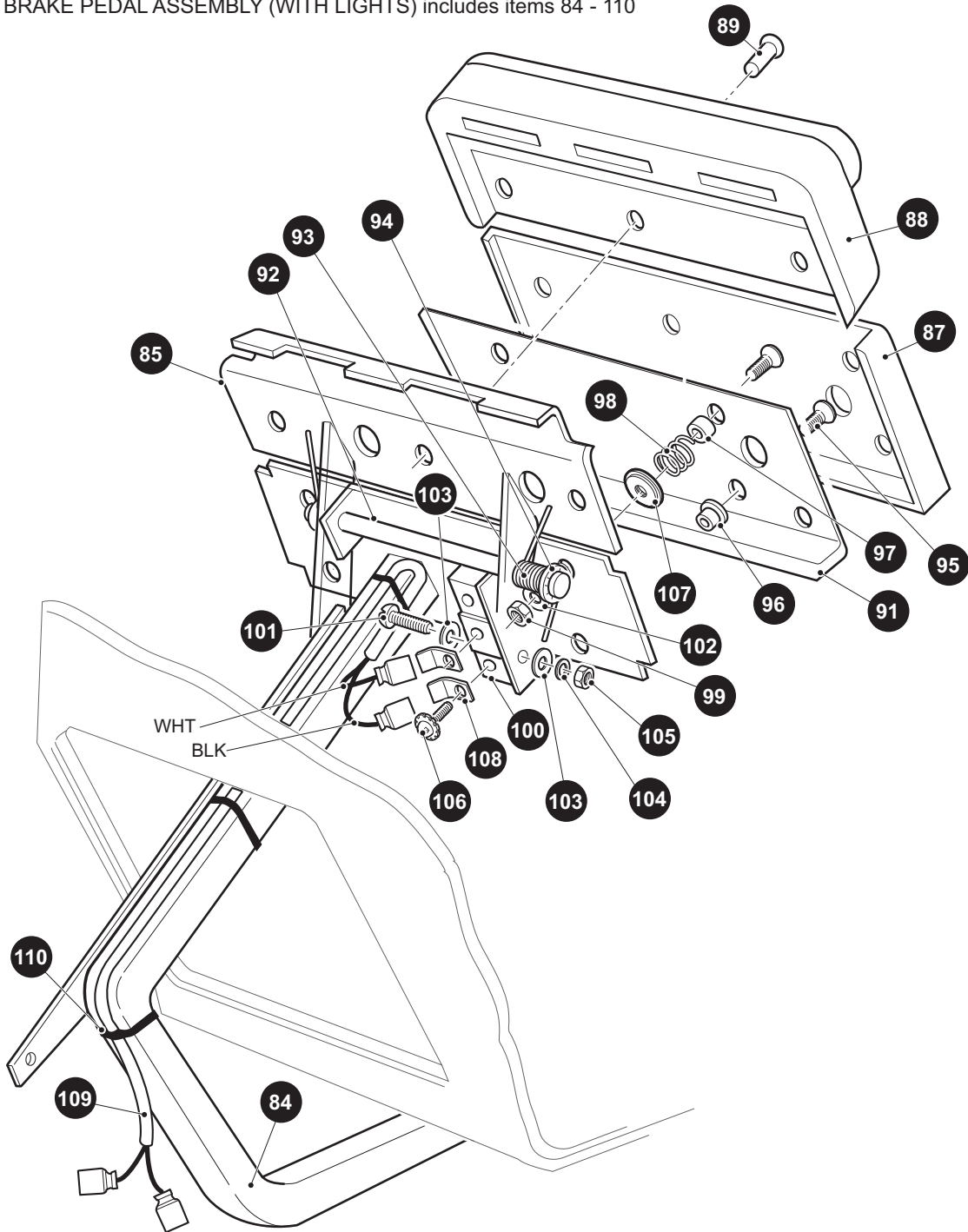
- 53 BRAKE ASSEMBLY (DRIVER SIDE) includes items 55 - 60, 63
- 54 BRAKE ASSEMBLY (PASSENGER SIDE) includes items 55 - 60, 64
- 71 BRAKE DRUM ASSEMBLY includes items 72 & 73



Adjuster Assembly



83 BRAKE PEDAL ASSEMBLY (WITH LIGHTS) includes items 84 - 110



BRAKES

When ordering parts, please specify the model and serial number of the product.

* Indicates a component that is not available as an individual part.

*** Indicates consult Customer Service Department for additional information.

ITEM	PART NO.	1 2 3 4 5	DESCRIPTION	QTY.
1	70612G02		BRAKE PEDAL ASSEMBLY (WITHOUT BRAKE LIGHTS) (INCLUDES ITEMS 2 - 10).....	1
2	70681G01		TORSION SPRING	2
3	70682G01		PIVOT PIN	1
4	658825		PUSHNUT, 5/16"	2
5	652251G03		BRAKE PEDAL	1
6	652253G03		PARK BRAKE PEDAL.....	1
7				
8	70257G01		SERVICE BRAKE PAD	1
9	70256G01		PARK BRAKE PEDAL PAD.....	1
10	16409G1		OVAL RIVET, 3/16" X 7/16" LG	9
11				
12	70582G01		SHOULDER BOLT (SS), 3/8" - 16 X 4" LG	1
13	70581G01		ACETAL FLANGED BUSHING, 1" LG.....	2
14	70676G01		TORSION SPRING	1
15	00643G1		FLAT WASHER, 3/8"	1
16	11098G5		LOCK NUT, 3/8" - 16	1
17				
18				
19				
20	12416G2		NYLON WEDGE LOCK CLAMP, 10" (NOT ILLUSTRATED).....	AR
21				
22				
23				
24	28083G01		BRAKE COMPENSATOR BUMPER	2
25	624690		BRAKE CABLE (DRIVER SIDE), 37.06"	1
26	624703		BRAKE CABLE (PASSENGER SIDE), 52.81"	1
27				
28	01111G01		RETAINING RING (SS), 13/32",	4
29				
30	10386G3		CLEVIS PIN, 5/16" X 13/16" LG	3
31	10387G3		COTTER PIN, 3/32" X 3/4" LG	3

When ordering parts, please specify the model and serial number of the product.

* Indicates a component that is not available as an individual part.

*** Indicates consult Customer Service Department for additional information.

ITEM	PART NO.	1 2 3 4 5	DESCRIPTION	QTY.
32				
33				
34	70601G01		KICK-OFF LINK	1
35	17838G1		NYLON BUSHING, .3" LG	2
36	20835G1		TEFLON WASHER, 3/8"	2
37	00559G8		FLAT WASHER, 5/16"	2
38	10387G3		COTTER PIN, 3/32" X 3/4" LG.....	2
39	70098G01		KICK-OFF CAM PIVOT.....	1
40	10097G6		FLANGED BEARING	2
41	70587G01		KICK-OFF CAM, PARK BRAKE.....	1
42	71215G01		SETSCREW, 1/4" - 20 X 1/2" LG	2
43	14134G4		SPACER, 1.25" LG	1
44				
45	70113G01		ADJUSTABLE BUMPER.....	1
46	11027G1		LOCK NUT, 5/16" - 18.....	1
47				
48	70080G02		CATCH BRACKET	1
49	00414G6		HEX HEAD BOLT, 1/4" - 20 X 3/4" LG	2
50	14390G4		LOCK NUT (SS), 1/4" - 20	2
51				
52				
53	612211		BRAKE ASSEMBLY (DRIVER SIDE) (INCLUDES ITEMS 55 - 60, 63).....	1
54	612189		BRAKE ASSEMBLY (PASSENGER SIDE) (INCLUDES ITEMS 55 - 60, 64) .	1
55	612411		BRAKE SHOE, LEADING	1
56	612412		BRAKE SHOE, TRAILING.....	1
57	612413		DUST COVER	1
58	612415		BRAKE SPRING, BOTTOM	1
59	612414		BRAKE SPRING, TOP	1
60	612416		SHOE CLAMP	2
61				
62				

BRAKES

When ordering parts, please specify the model and serial number of the product.

* Indicates a component that is not available as an individual part.

*** Indicates consult Customer Service Department for additional information.

ITEM	PART NO.	1	2	3	4	5	DESCRIPTION	QTY.
63	612418						GEAR ADJUSTER (DRIVER SIDE).....	1
64	612417						GEAR ADJUSTER (PASSENGER SIDE)	1
65								
66								
67	17083G2						HEX HEAD BOLT, 5/16" - 24 X 1" LG.....	8
68	15126G1						LOCK NUT, 5/16" - 24	8
69	21809G1						FLAT WASHER, 1.312" O.D X 0.979" I.D.....	2
70								
71	21807G2						BRAKE DRUM ASSEMBLY (INCLUDES ITEMS 72 & 73).....	2
72	20947G1						BRAKE DRUM	1
73	19862G2						LUG BOLT, 1/2" - 20 X 1 3/16" LG	4
74								
75								
76	606945						FLAT WASHER, 44.5MM O.D. X 22MM I.D.	2
77	606403						CASTELLATED NUT, M22 X 1.5.....	2
78	10387G1						COTTER PIN, 1/8" X 1 1/2" LG	2
79								
80	652248						BRAKE CABLE BRACKET (PASSENGER SIDE).....	1
81	652249						BRAKE CABLE BRACKET (DRIVER SIDE)	1
82								
83	70690G02						BRAKE PEDAL ASSEMBLY (WITH BRAKE LIGHTS) (INCLUDES ITEMS 84 - 110)	1
84	652791G03						BRAKE PEDAL	1
85	652253G03						PARK BRAKE PEDAL.....	1
86								
87	70257G01						SERVICE BRAKE PAD	1
88	70256G01						PARK BRAKE PAD	1
89	16409G1						OVAL RIVET, 3/16" X 7/16" LG	9
90								
91	652820						SERVICE BRAKE PEDAL PLATE	1
92	70682G01						PIVOT PIN	1
93	70681G01						TORSION SPRING	2

When ordering parts, please specify the model and serial number of the product.

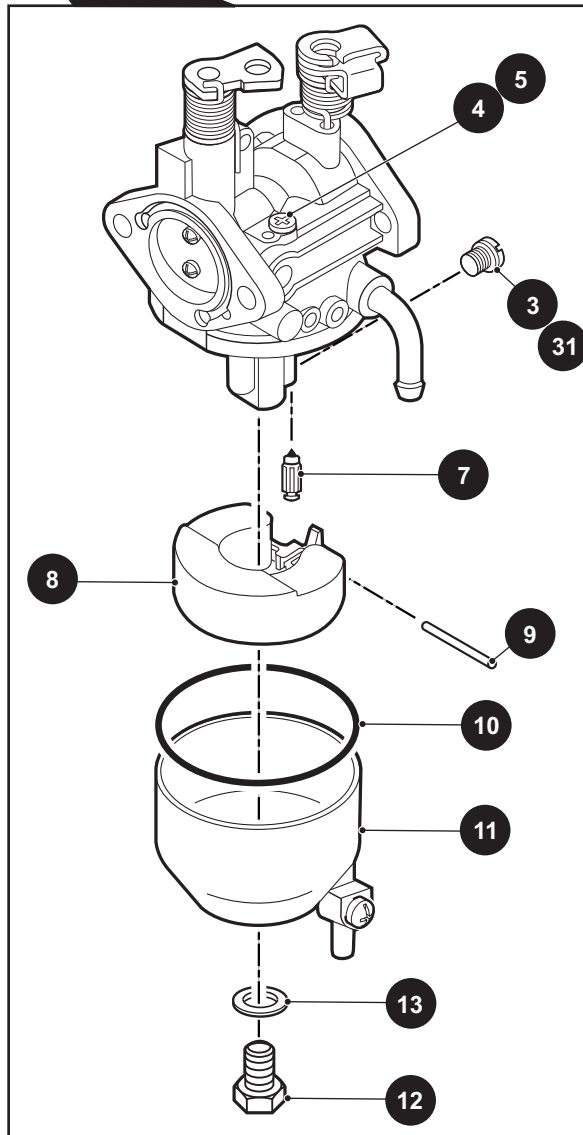
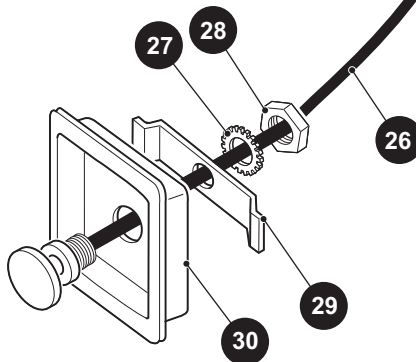
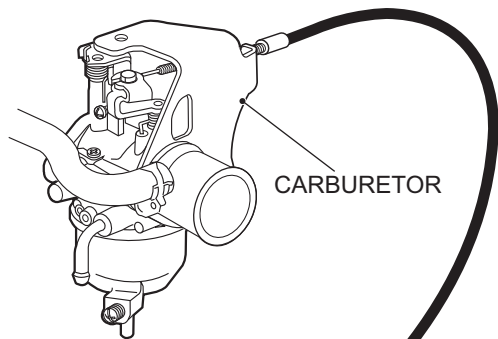
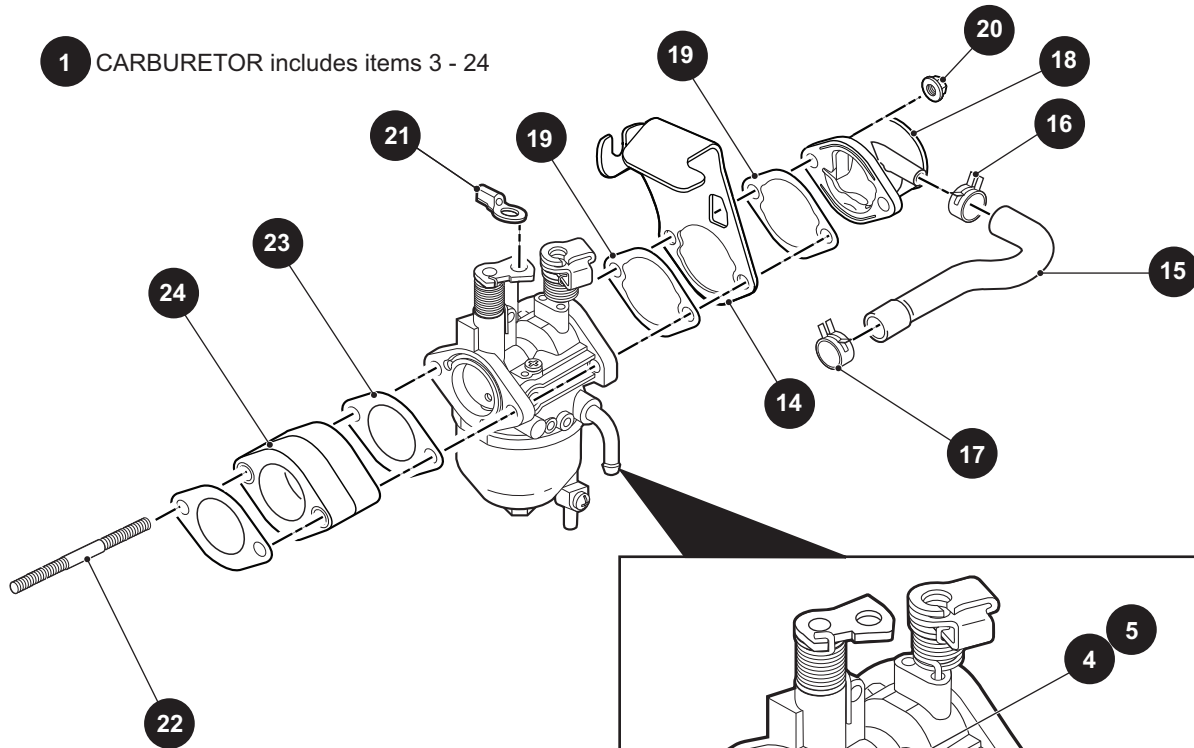
* Indicates a component that is not available as an individual part.

*** Indicates consult Customer Service Department for additional information.

ITEM	PART NO.	1 2 3 4 5	DESCRIPTION	QTY.
94	658825		PUSHNUT, 5/16"	2
95	00737G8		PHILLIPS FLAT HEAD SCREW, #10 - 24 X 1" LG.....	4
96	00739G1		RUBBER NUT, #10 - 24	2
97	652355		BRAKE PEDAL SPACER	2
98	27137G01		CONICAL SPRING	2
99	14390G1		LOCK NUT, #10 - 24.....	2
100	10606G8		MICRO SWITCH	1
101	00645G2		PHILLIPS PAN HEAD SCREW, #6 - 32 X 1 1/4" LG.....	2
102	00559G5		FLAT WASHER, #10	2
103	00559G3		FLAT WASHER, #6	4
104	00565G3		LOCK WASHER, #6	2
105	00525G5		HEX NUT, #6 - 32	2
106	13514G1		PHILLIPS PAN HEAD SCREW WITH LOCK WASHER, #6.....	2
107	00642G8		FLAT WASHER, 5/16"	2
108	14628G1		FASTON TAB.....	2
109	24605G1		WIRE HARNESS, BRAKE LIGHT	1
110	17618G1		NYLON CLAMP.....	2
111	612558		COMPENSATOR ASSEMBLY (INCLUDES ITEMS 112 - 121).....	1
112	00532G4		HEX NUT, 1/4" - 20.....	2
113	629486		HEX NUT, 5/16" - 24.....	1
114	28082G01		EQUALIZER BRACKET	1
115	15121G1		FLAT WASHER, 5/16"	2
116	17979G1		ACCELERATOR ROD BUSHING.....	1
117	23061G2		TUBE	1
118	23463G1		COMPRESSION SPRING	1
119	652256		BRAKE YOKE	1
120	11098G9		HEX LOCK NUT, 5/16" - 24.....	1
121	612557		COMPENSATOR ROD LINK.....	1

CARBURETOR AND CHOKE

1 CARBURETOR includes items 3 - 24



CARBURETOR AND CHOKE

When ordering parts, please specify the model and serial number of the product.

* Indicates a component that is not available as an individual part.

*** Indicates consult Customer Service Department for additional information.

ITEM	PART NO.	1 2 3 4 5	DESCRIPTION	QTY.
1	607955		CARBURETOR (INCLUDES ITEMS 3 - 24)	1
2				
3	607956		MAIN JET (#106).....	1
4	607957		PILOT JET (#52)	1
5	603585		PLUG.....	1
6				
7	603586		NEEDLE VALVE	1
8	603587		FLOAT	1
9	603588		FLOAT PIN	1
10	603589		FLOAT BOWL GASKET	1
11	603590		FLOAT CHAMBER	1
12	603592		CHAMBER PLUG	1
13	603591		BOWL GASKET	1
14	603583		CHOKE BRACKET.....	1
15	603598		BREATHER TUBE.....	1
16	603596		INTAKE TUBE CLAMP	1
17	603597		CYLINDER HEAD TUBE CLAMP	1
18	603594		INTAKE TUBE	1
19	603593		CHOKE GASKET	2
20	603595		HEX NUT, M6 X 1.0.....	2
21	608023		THROTTLE ROD ATTACHMENT BUSHING	1
22	603584		STUD BOLT.....	2
23	603580		CARBURETOR MOUNT GASKET.....	3
24	603581		CARBURETOR INSULATOR	1
25				
26	605868		CHOKE CABLE (SWB).....	1
27	00568G4		LOCK WASHER, 9/16"	1
28	00545G4		JAM NUT, 9/16 " - 18	1
29	72155G01		RETAINER	1
30	72154G01		CHOKE CABLE ADAPTER.....	1
31	607684		MAIN JET (#102) (FOR ELEVATIONS OF 3000 FT - 6000 FT)	1

CARBURETOR AND CHOKE

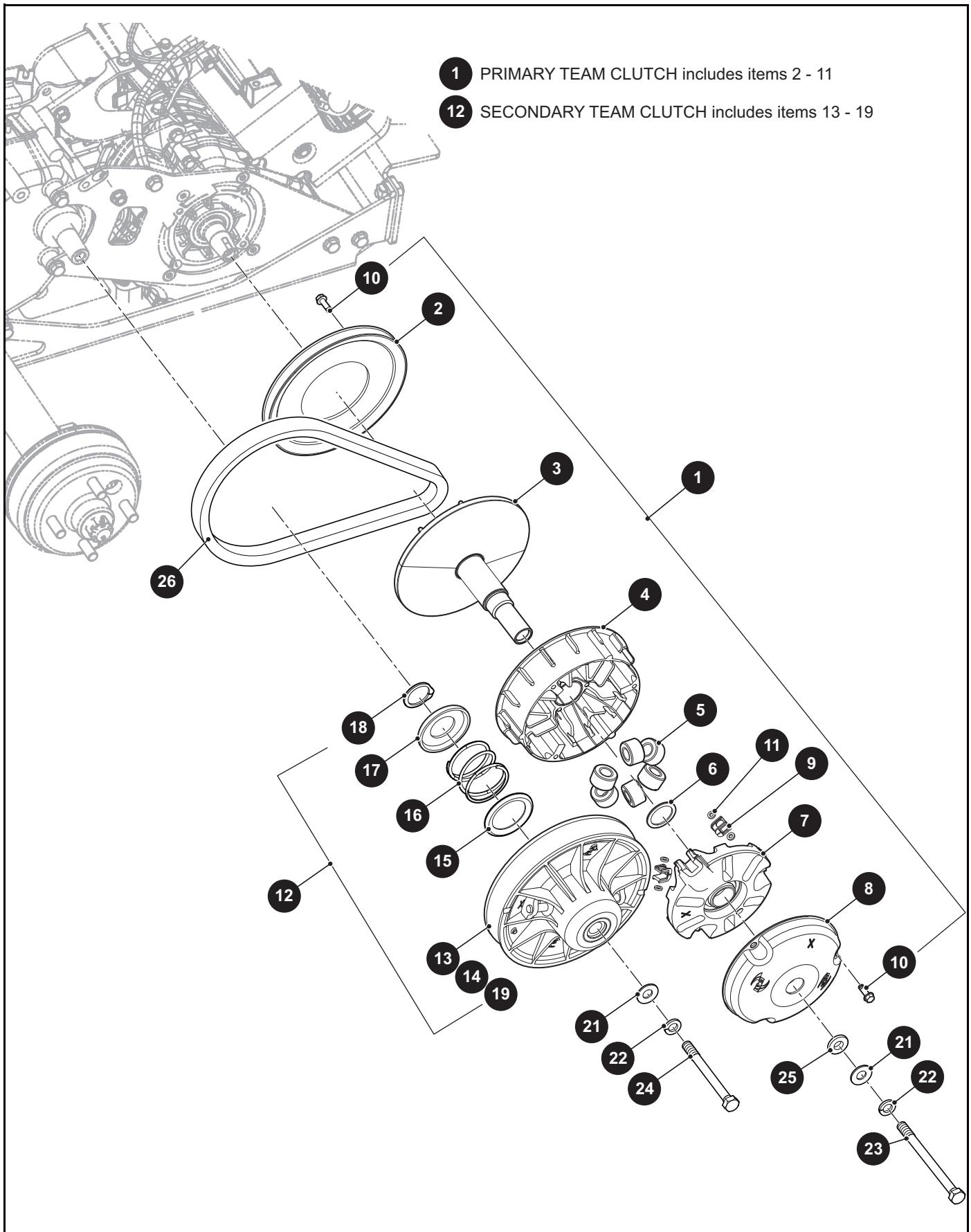
When ordering parts, please specify the model and serial number of the product.

* Indicates a component that is not available as an individual part.

*** Indicates consult Customer Service Department for additional information.

ITEM	PART NO.	1	2	3	4	5	DESCRIPTION	QTY.
32								
33	607681						LABEL, HIGH ALTITUDE JET, 3000 FT - 6000 FT (NOT ILLUSTRATED)	1
34	607682						LABEL, HIGH ALTITUDE JET, 6000 FT (NOT ILLUSTRATED).....	1

CLUTCH



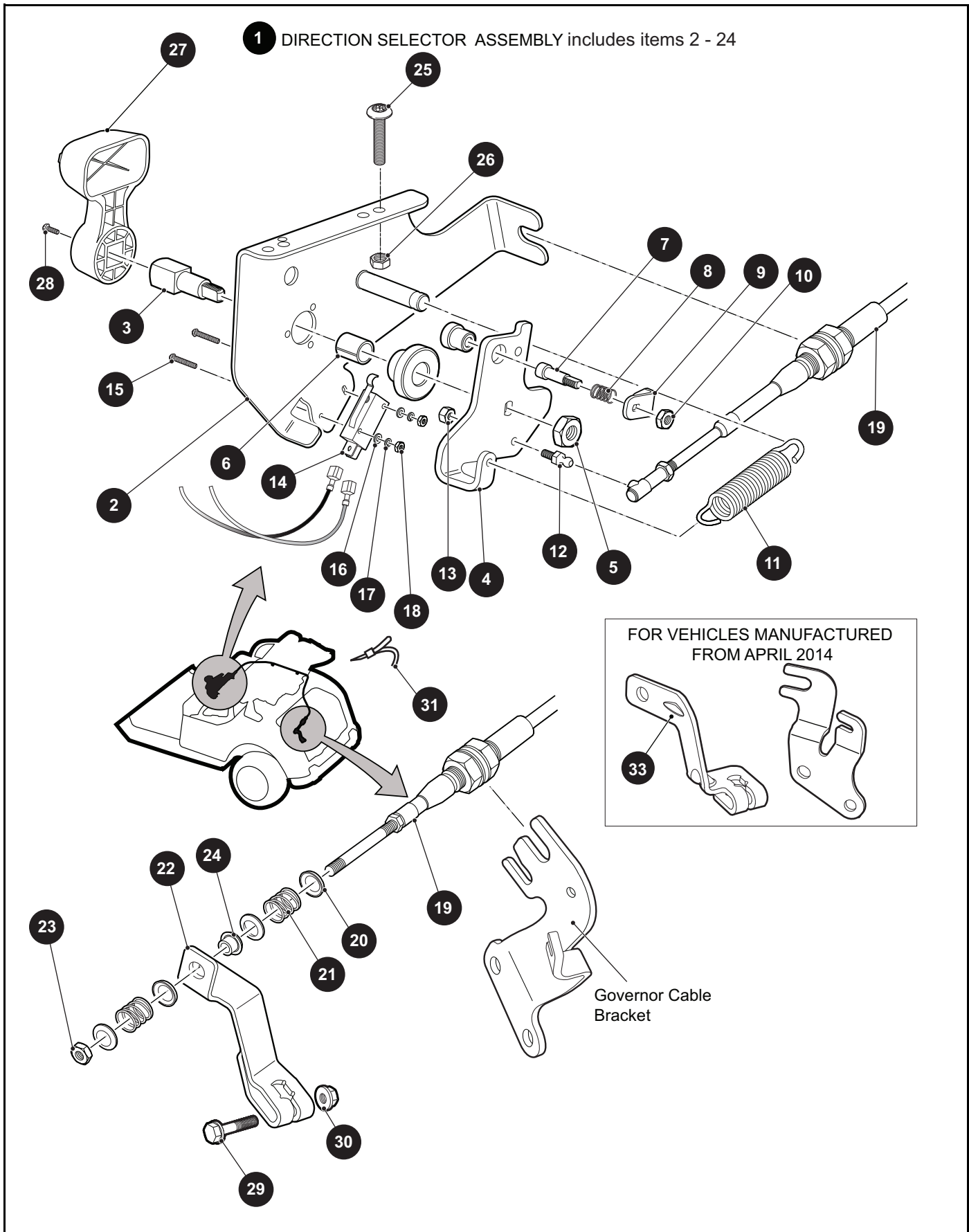
When ordering parts, please specify the model and serial number of the product.

* Indicates a component that is not available as an individual part.

*** Indicates consult Customer Service Department for additional information.

ITEM	PART NO.	1 2 3 4 5	DESCRIPTION	QTY.
1	644299		PRIMARY TEAM CLUTCH (INCLUDES ITEMS 2 - 11).....	1
2	619333		PRIMARY STARTER PULLEY, 195.....	1
3	619334		STATIONARY ASSEMBLY	1
4	619335		MOVEABLE PRIMARY ASSEMBLY	1
5	619336		SHIFT ROLLER ASSEMBLY.....	6
6	619337		SHIM, 39.5 MM X 31.75MM	1
7	644303		PRIMARY SPIDER ASSEMBLY	1
8	619339		PRIMARY DUST COVER ASSEMBLY.....	1
9	644305		BUTTON, TORQUE PRIMARY	6
10	619332		HEX WASHER HEAD BOLT, 1/4" - 20 X 3/4" LG	7
11	644306		PLUG, TORQUE PRIMARY	6
12	644300		SECONDARY TEAM CLUTCH (INCLUDES ITEMS 13 - 19).....	1
13	*		SECONDARY STATIONARY, 9.5.....	1
14	*		MOVEABLE SECONDARY, 9.5.....	1
15	619327		INNER RETAINER SPRING.....	1
16	644304		COMPRESSION SPRING, 2.70MM O.D.....	1
17	619329		OUTER SPRING RETAINER	1
18	619330		RETAINER RING.....	1
19	619331		THRUST WASHER, 1 53" x 1 83" x 1"	1
20				
21	606239		CONICAL WASHER, M12	2
22	00566G3		SLOCK WASHER (SPRING TYPE), 3/8"	2
23	606245		HEX HEAD BOLT, M12 - 1 25 X 160MM LG.....	1
24	606243		HEX HEAD BOLT, M12 - 1 25 X 120MM LG.....	1
25	606230		CLUTCH WASHER, 13.06MM DIA.....	1
26	618630		BELT DRIVE	1

DIRECTION SELECTOR



DIRECTION SELECTOR

When ordering parts, please specify the model and serial number of the product.

* Indicates a component that is not available as an individual part.

*** Indicates consult Customer Service Department for additional information.

ITEM	PART NO.	1 2 3 4 5	DESCRIPTION	QTY.
1	603416		DIRECTION SELECTOR ASSEMBLY (INCLUDES ITEMS 2 - 24)	1
2	606077		DIRECTION SELECTOR BRACKET.....	1
3	70233G01		DIRECTION SELECTOR SHAFT.....	1
4	603700		DIRECTION SELECTOR CAM.....	1
5	14390G1		LOCK NUT, 3/8" - 24	1
6	25664G2		BUSHING, 1/2" X 3/4" LG.....	1
7	72724G01		NEUTRAL LOCK PIN	1
8	72733G01		COMPRESSION SPRING, 3/8" X 5/8"	1
9	72729G01		NEUTRAL LOCK LATCH.....	1
10	00734G2		LOCK NUT, 1/4" - 28	1
11	28574G01		EXTENSION SPRING	1
12	72732G01		BALL STUD, 1/4".....	1
13	00734G5		LOCK NUT, #10 - 32.....	1
14	72736G01		MICRO SWITCH	1
15	01062G01		ROUND HEAD SLOTTED SCREW, #4 - 40 X 1" LG	2
16	00559G1		FLAT WASHER, #4	2
17	00565G1		LOCK WASHER, #4 - 5/16".....	2
18	00526G2		HEX NUT, #4 - 40	2
19	603615		PUSH/PULL CABLE	1
20	25727G01		CUP WASHER, 1/4"	4
21	72735G01		COMPRESSION SPRING, 19/32" X 1"	2
22	632891		PIVOT BRACKET.....	1
23	00734G5		LOCK NUT, #10 - 32.....	1
24	22754G4		FLIP LOK BUSHING, .250".....	1
25	70227G01		SOCKET HEAD CAP SCREW, 1/4" - 20 X 7/8" LG.....	2
26	11027G2		LOCK NUT, 1/4" - 20.....	1
27	71205G01		DIRECTION SELECTOR HANDLE	1
28	00740G4		TRUSS HEAD PHILLIPS SCREW (SS), #10 - 32 X 1/2" LG.....	1
29	606421		HEX HEAD BOLT, M6 - 1 X 30MM LG.....	1
30	450452		HEX NUT, M6 -1.00 HSF	1
31	31539G1		NYLON CLAMP	1

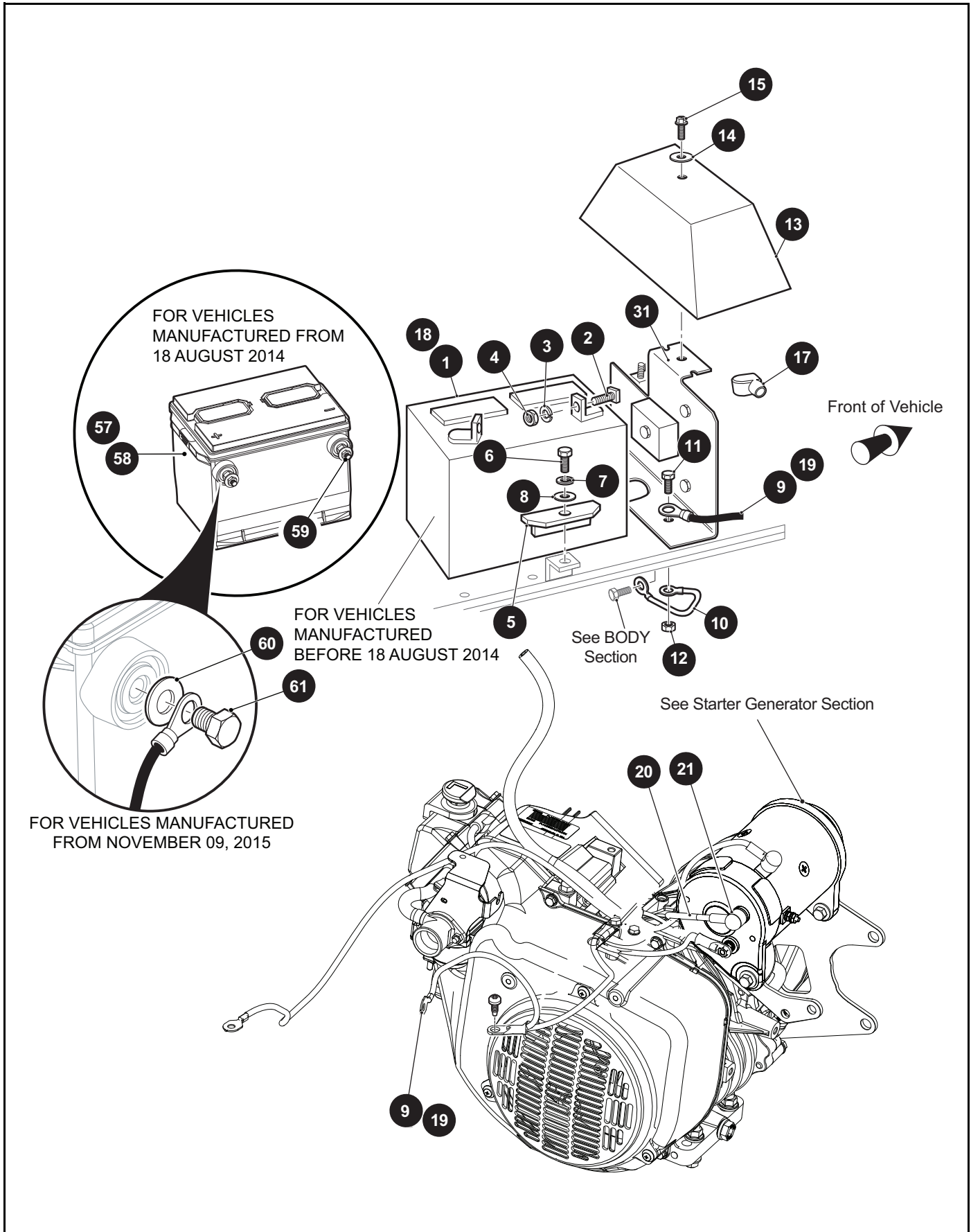
DIRECTION SELECTOR

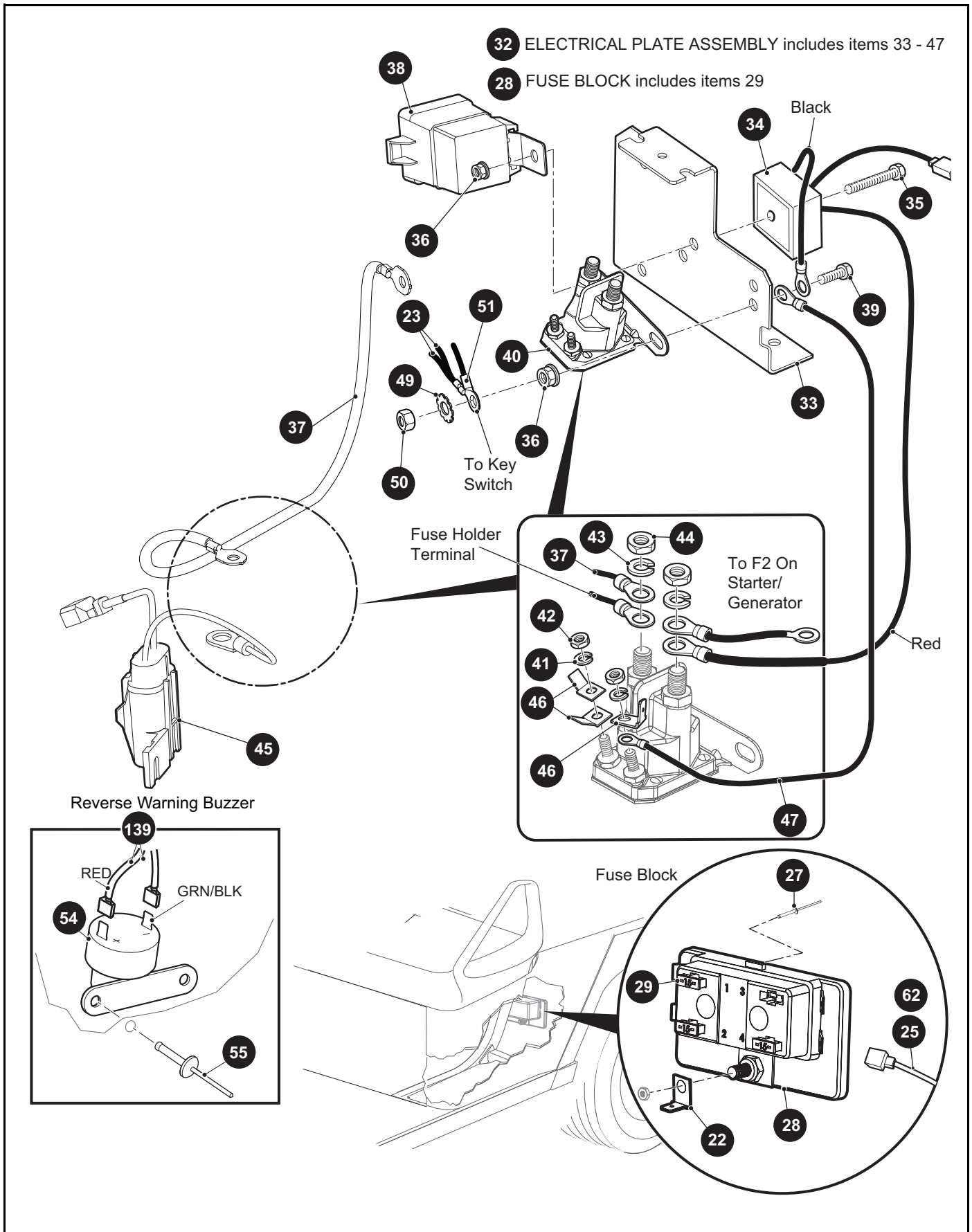
When ordering parts, please specify the model and serial number of the product.

* Indicates a component that is not available as an individual part.

*** Indicates consult Customer Service Department for additional information.

ITEM	PART NO.	1 2 3 4 5	DESCRIPTION	QTY.
32	01072G01		CABLE CLIP (NOT ILLUSTRATED).....	1
33	632891		DIRECTION SELECTOR PIVOT BRACKET (FOR VEHICLES MANUFACTURED FROM APRIL 2014).....	1





ELECTRICAL

When ordering parts, please specify the model and serial number of the product.

* Indicates a component that is not available as an individual part.

*** Indicates consult Customer Service Department for additional information.

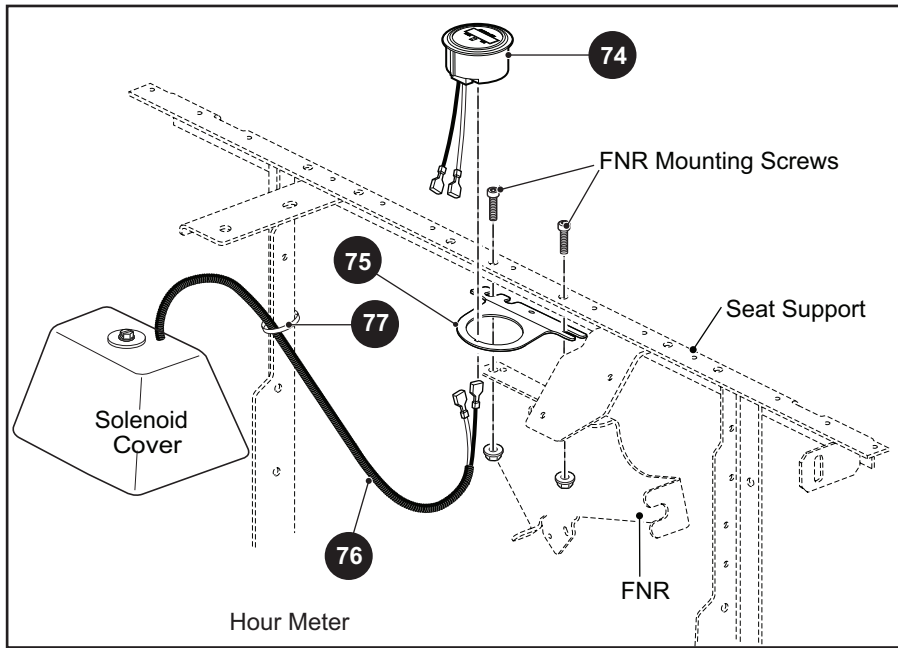
ITEM	PART NO.	1 2 3 4 5	DESCRIPTION	QTY.
1	600497		HEAVY DUTY BATTERY, 12V (FOR VEHICLES MANUFACTURED BEFORE 18 AUGUST 2014)	1
2	*		BOLT, 5/16" - 18 X 1 1/4" LG	2
3	*		LOCK WASHER (SILICON BRONZE), 5/16"	2
4	*		HEX NUT (SILICON BRONZE), 5/16" - 18.....	2
5	72101G02		BATTERY HOLD DOWN	1
6	00438G6		HEX HEAD BOLT, 5/16" - 18 X 3/4" LG.....	1
7	00565G8		LOCK WASHER, 5/16"	1
8	00571G2		FLAT WASHER, 5/16"	1
9	27044G03		GROUND CABLE	1
10	25976G19		14 GA WIRE (BLACK 6").....	1
11	00438G6		HEX HEAD BOLT, 5/16" - 18 X 3/4" LG.....	2
12	11027G1		LOCK NUT, 5/16" - 18	2
13	73049G01		COVER.....	1
14	16469G1		FENDER WASHER, 1/4"	1
15	00114G6		HEX WASHER HEAD SLOTTED TAPPING SCREW, 1/4" - 14 X 3/4" LG	1
16	610428		BATTERY BOLT EXTENDER (NOT ILLUSTRATED).....	2
17	606042		BATTERY TERMINAL COVER.....	1
18	24775G1		STANDARD BATTERY, 12V (FOR VEHICLES MANUFACTURED BEFORE 18 AUGUST 2014)	1
19	645191		GROUND CABLE (FOR VEHICLES MANUFACTURED FROM NOVEMBER 09, 2015).....	1
20	607053		6 GA WIRE (BLACK 6", F1 - A2)	1
21	25682G01		TERMINAL COVER.....	3
22	73446G01		FASTON TAB, 90°	1
23	605560		CONTROL WIRE HARNESS	1
24	17618G1		WIRE TIE (NOT ILLUSTRATED).....	AR
25	25977G40		16 GA WIRE (BLACK 6" LG).....	1
26	11098G6		LOCK NUT, 5/16" - 18 (NOT ILLUSTRATED)	1
27	15058G6		RIVET, (ALUMINUM BLACK)	2
28	676066G01		FUSE BLOCK, 15A, (INCLUDES ITEMS 29).....	1
29	636455G23		FUSE, 15A	1

When ordering parts, please specify the model and serial number of the product.

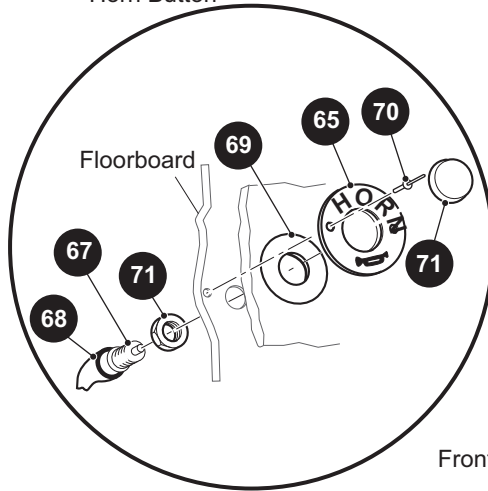
* Indicates a component that is not available as an individual part.

*** Indicates consult Customer Service Department for additional information.

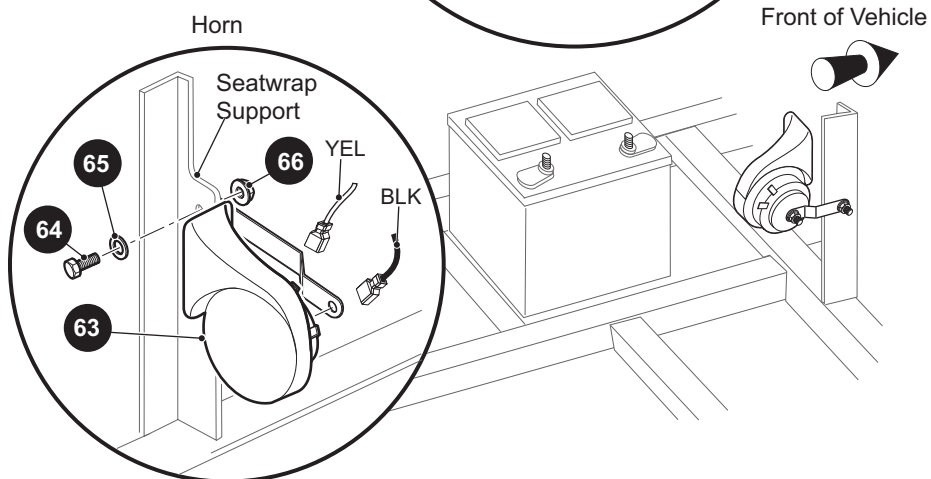
ITEM	PART NO.	1 2 3 4 5	DESCRIPTION	QTY.
30	00439G1		HEX HEAD BOLT, 5/16" - 18 X 1 1/8" LG (NOT ILLUSTRATED)	1
31	75048G01		SPACER, .328" X .75" X .50" (NOT ILLUSTRATED)	1
32	605563		ELECTRICAL PLATE ASSEMBLY (INCLUDES ITEMS 33 - 47)	1
33	73057G02		BRACKET	1
34	27739G01		VOLTAGE REGULATOR	1
35	303459		HEX HEAD BOLT, 1/4" - 20 X 1 1/2" LG	1
36	11027G2		LOCK NUT, 1/4" - 20	2
37	645190		6 AWG WIRE ASSEMBLY	1
38	603282		RELAY, 12V	1
39	00661G8		HEX HEAD CAP BOLT (SS), 1/4" - 20 X 1" LG	1
40	612813		SOLENOID	1
41	*		LOCK WASHER, #10	2
42	*		HEX NUT, #10 - 32	2
43	*		LOCK WASHER, 5/16"	2
44	*		HEX NUT, 5/16" - 24	2
45	600418G01		FUSE HOLDER ASSEMBLY	1
46	73446G01		FASTON TAB, 90°	3
47	25978G56		18 GA WIRE (BLACK 5 3/4")	1
48				
49	00567G7		LOCK WASHER (EXTERNAL TOOTH TYPE), 1/4"	1
50	00532G1		HEX NUT, 1/4" - 20	1
51	605639		KEY SWITCH HARNESS	1
52	625808		ACCESSORY HARNESS (NOT ILLUSTRATED)	1
53	645207		ACCESSORY HARNESS (NOT ILLUSTRATED) (FOR VEHICLES MANUFACTURED FROM NOVEMBER 09, 2015)	1
54	73290G03		CONTINUOUS TONE POTTED BUZZER	1
55	01041G01		RIVET, 5/32" DIA	2
56	25978G122		18 GA WIRE (NOT ILLUSTRATED)	1
57	637484		BATTERY, 12V (FOR VEHICLES MANUFACTURED FROM 18 AUGUST 2014)	1
58	638433		BATTERY, 12V HD (FOR VEHICLES MANUFACTURED FROM 18 AUGUST 2014)	1



Horn Button

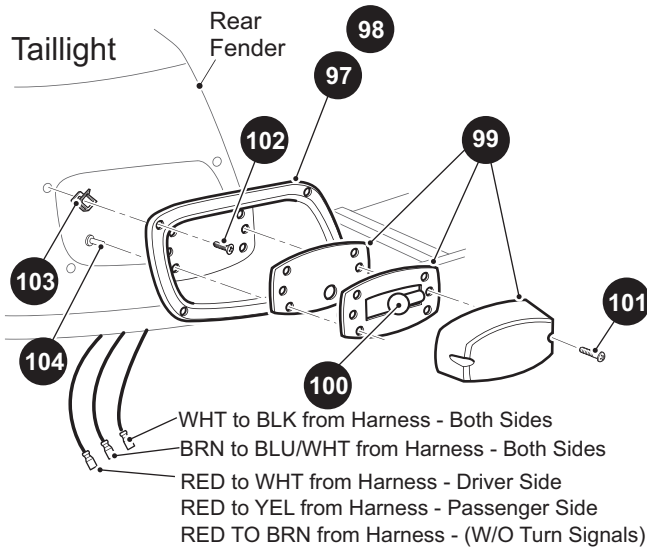
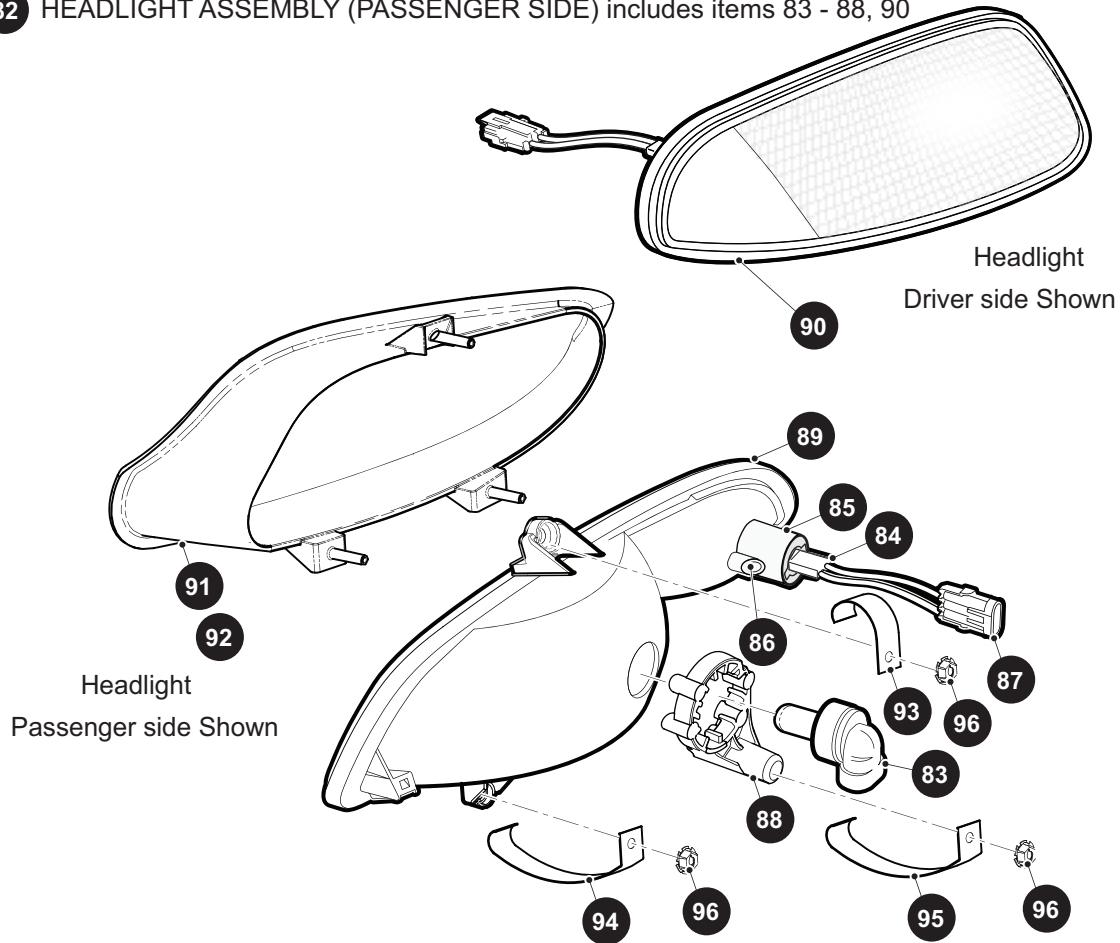


Horn

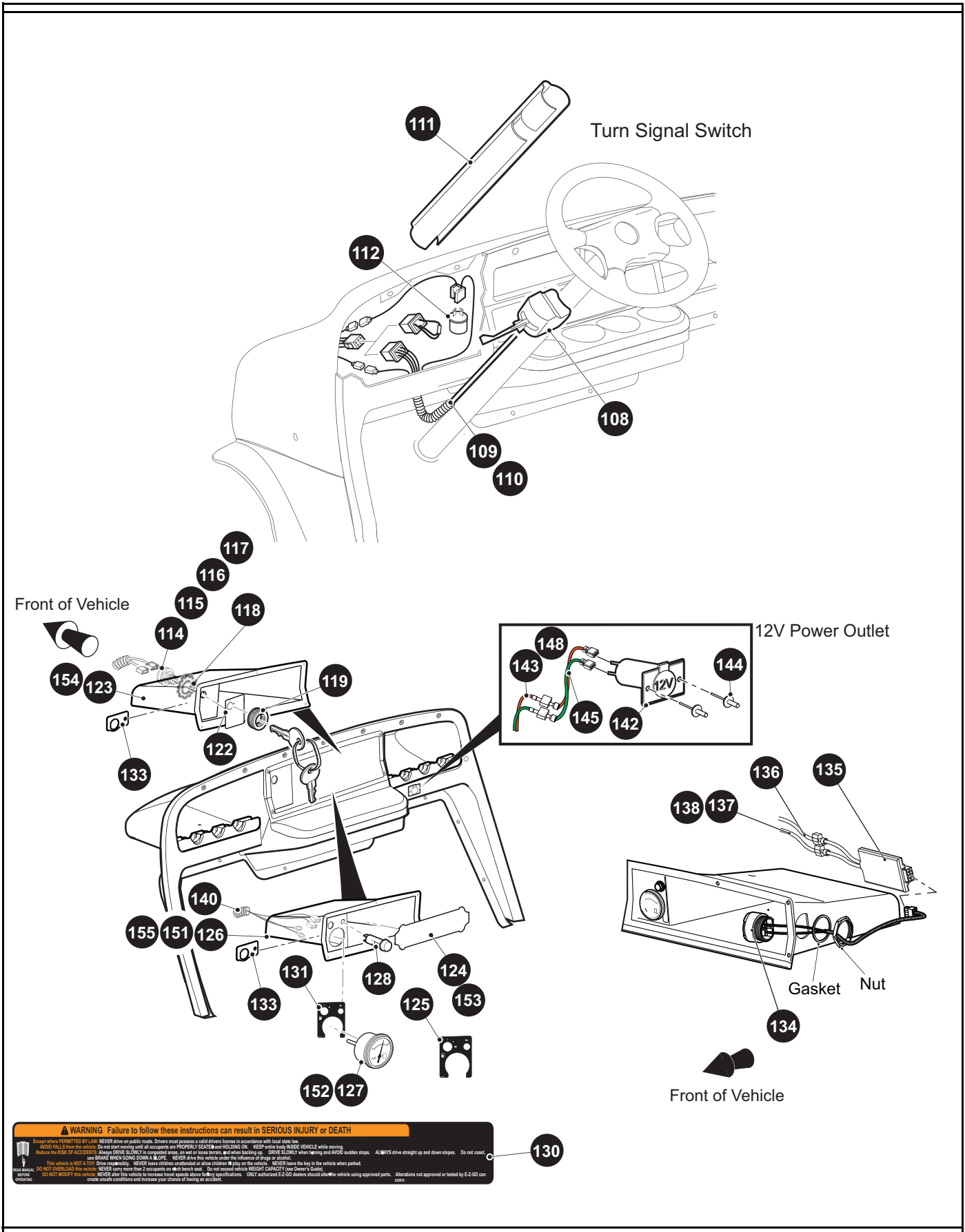


81 HEADLIGHT ASSEMBLY (DRIVER SIDE) includes items 83 - 89

82 HEADLIGHT ASSEMBLY (PASSENGER SIDE) includes items 83 - 88, 90



99 TAILLIGHT ASSEMBLY includes item 100



When ordering parts, please specify the model and serial number of the product.

* Indicates a component that is not available as an individual part.

*** Indicates consult Customer Service Department for additional information.

ITEM	PART NO.	1 2 3 4 5	DESCRIPTION	QTY.
59	610428		BATTERY BOLT EXTENDER (FOR VEHICLES MANUFACTURED FROM 18 AUGUST 2014)	2
60	614221		FLAT WASHER, 3/8" (FOR VEHICLES MANUFACTURED FROM NOVEMBER 09, 2015)	2
61	651336		BATTERY BOLT (FOR VEHICLES MANUFACTURED FROM NOVEMBER 09, 2015)	2
62	645204		#10 GA WIRE ASSEMBLY (WHITE) (FOR VEHICLES MANUFACTURED FROM NOVEMBER 09, 2015)	1
63	32860G01		HORN.....	1
64	00414G5		HEX HEAD CAP BOLT, 1/4" - 20 X 5/8" LG.....	1
65	01110G01		FLAT WASHER, 1/4"	1
66	14390G4		LOCK NUT, 1/4" - 20	1
67	17318G1		HORN MOMENTARY SWITCH	1
68	27068G01		HORN SWITCH BOOT	1
69	608397		HORN PLATE	1
70	71055G01		RIVET (ALUMINUM), 3/16" DIA	2
71	17318G2		HORN SWITCH CAP AND NUT	1
72				
73				
74	617074		HOUR METER.....	1
75	635649		HOUR METER BRACKET	1
76	664689		HOUR METER WIRE HARNESS	1
77	17618G1		NYLON CLAMP	AR
78				
79				
80				
81	602928		HEADLIGHT ASSEMBLY (DRIVER SIDE) (INCLUDES ITEMS 83 - 89)	1
82	603328		HEADLIGHT ASSEMBLY (PASSENGER SIDE) (INCLUDES ITEMS 83 - 88, 90)	1
83	74004G02		HEADLIGHT BULB.....	1
84	676687		TURN SIGNAL BULB	1
85	608322		BULB RETAINER	1

ELECTRICAL

When ordering parts, please specify the model and serial number of the product.

* Indicates a component that is not available as an individual part.

*** Indicates consult Customer Service Department for additional information.

ITEM	PART NO.	1	2	3	4	5	DESCRIPTION	QTY.
86	608328						BUTTON HEAD TORX SCREW, M3 - 1.3 X 14 MM LG	1
87	607487						TURN SIGNAL WIRE HARNESS	1
88	615459						COLLAR.....	1
89	604607						HEADLAMP W/O BULBS (DRIVER SIDE)	1
90	604609						HEADLAMP W/O BULBS (PASSENGER SIDE)	1
91	625280						HEADLAMP BEZEL (DRIVER SIDE)	1
92	625281						HEADLAMP BEZEL (PASSENGER SIDE).....	1
93	626275						HEADLAMP CLIP.....	2
94	626276						HEADLAMP CLIP	2
95	626277						HEADLAMP CLIP	2
96	71597G01						SELF THREADING NUT, 5 X 10 X 15MM.....	6
97	625251						TAILLIGHT BEZEL (DRIVER SIDE)	1
98	625252						TAILLIGHT BEZEL (PASSENGER SIDE).....	1
99	22288G1						TAILLIGHT ASSEMBLY (INCLUDES ITEM 100).....	2
100	21759G1						TAILLIGHT BULB.....	1
101	00513G4						PHILLIPS PAN HEAD SCREW, #8 X 1.5" LG	4
102	71425G01						TAPPING SCREW, #8 - 18 X .75" LG	8
103	71364G02						"J" SPEED NUT, #8	8
104	14601G11						RIVET, 3/16" X 9/16" LG.....	4
105								
106								
107								
108	611810						TURN SIGNAL SWITCH ASSEMBLY	1
109	32307G3						FLEX ZIP LOOM, 3/8" X 8" LG.....	1
110	17618G1						NYLON CLAMP.....	2
111	20965G3						STEERING COLUMN COVER.....	1
112	21640G1						FLASHER UNIT.....	1
113								
114	18027G1						KEY SWITCH (WITHOUT LIGHTS - INDIVIDUALLY KEYED)	1
115	33639GXX						KEY SWITCH (WITH LIGHTS).....	1
116	18602G1						KEY SWITCH	1

When ordering parts, please specify the model and serial number of the product.

* Indicates a component that is not available as an individual part.

*** Indicates consult Customer Service Department for additional information.

ITEM	PART NO.	1 2 3 4 5	DESCRIPTION	QTY.
117	17955G1		KEY SWITCH (GROUP KEYS).....	1
118	00568G6		LOCK WASHER, 3/4"	1
119	17137G1		FACE NUT, 3/4" - 20	1
120				
121				
122	625267		DECAL (KEY SWITCH, ON - OFF).....	1
123	628022		CENTER COMPARTMENT.....	1
124	625224		CENTER COMPARTMENT DIVIDER	1
125	625269		DECAL (WITH LIGHTS, FUEL AND OIL)	1
126	631103		CENTER COMPARTMENT WITH FUEL AND OIL	1
127	21553G1		FUEL GAUGE	1
128	23474G1		OIL/FUEL INDICATOR LIGHT	1
129	637081G01		KEY SWITCH PLATE.....	1
130	628019		SAFETY LABEL, PVT CONSOLE	1
131	625274		DECAL (ON - OFF, FUEL AND OIL)	1
132	634970		HARNES FUEL GAUGE/OIL INDICATOR (NOT ILLUSTRATED)	1
133	637081G01		KEYSWITCH PLATE.....	1
134	639384		USB PORT.....	1
135	638233		ELECTRONICS BOX.....	1
136	637381		JUMPER (YELLOW).....	1
137	636008		USB HARNESS	1
138	645206		USB HARNESS (FOR VEHICLES MANUFACTURED FROM NOVEMBER 09, 2015)	1
139	634272		JUMPER HARNESS, REVERSE BUZZER	1
140	633683		JUMPER HARNESS, OIL/FUEL GAUGE	1
141				
142	71078G01		12V POWER OUTLET	1
143	633988		HARNESS, 12V POWER OUTLET.....	1
144	71055G01		RIVET, 3/16" DIA.....	2
145	634277		JUMPER HARNESS, 12V POWER OUTLET.....	1
146	635890		JUMPER BUNDLE (NOT ILLUSTRATED).....	1

ELECTRICAL

When ordering parts, please specify the model and serial number of the product.

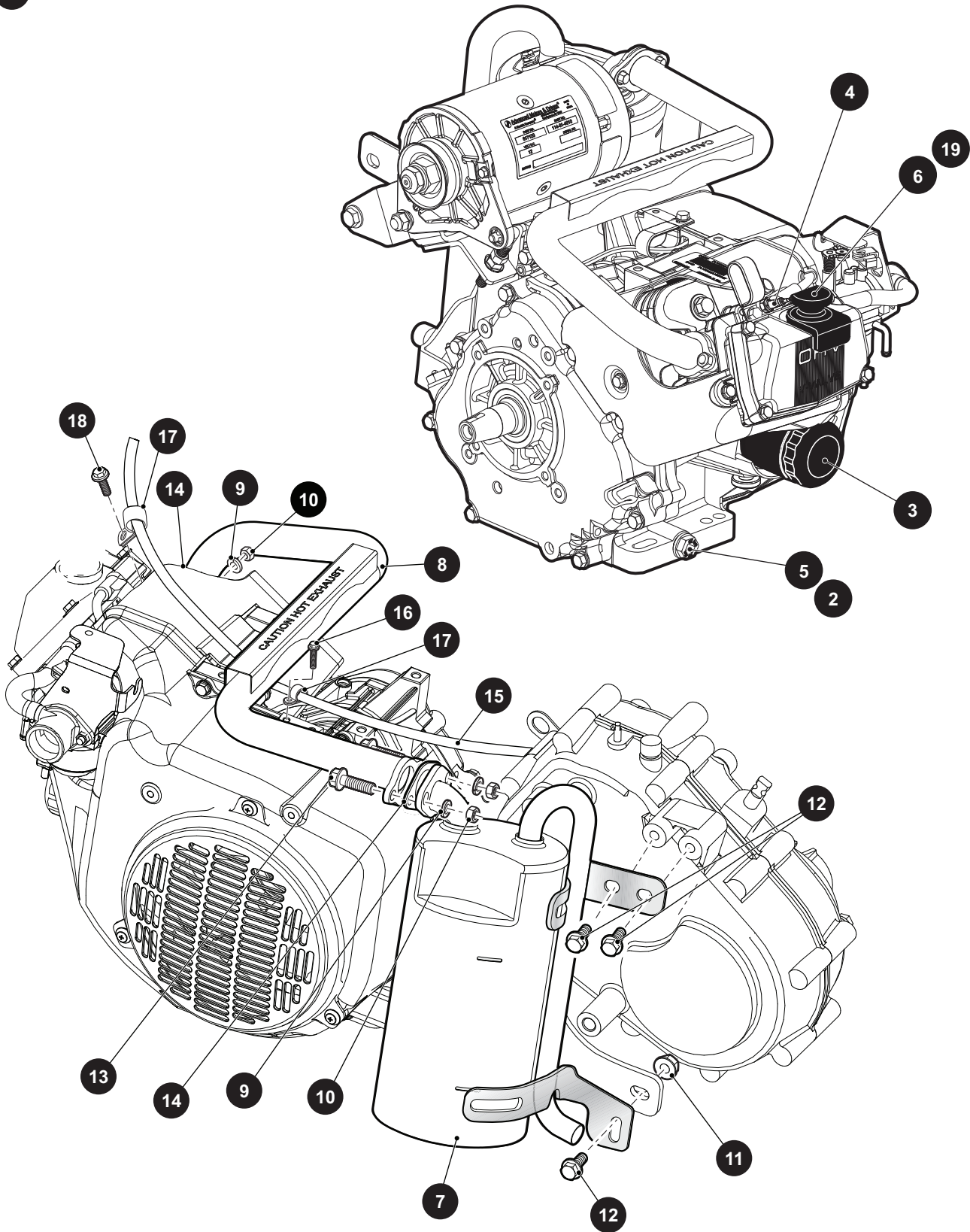
* Indicates a component that is not available as an individual part.

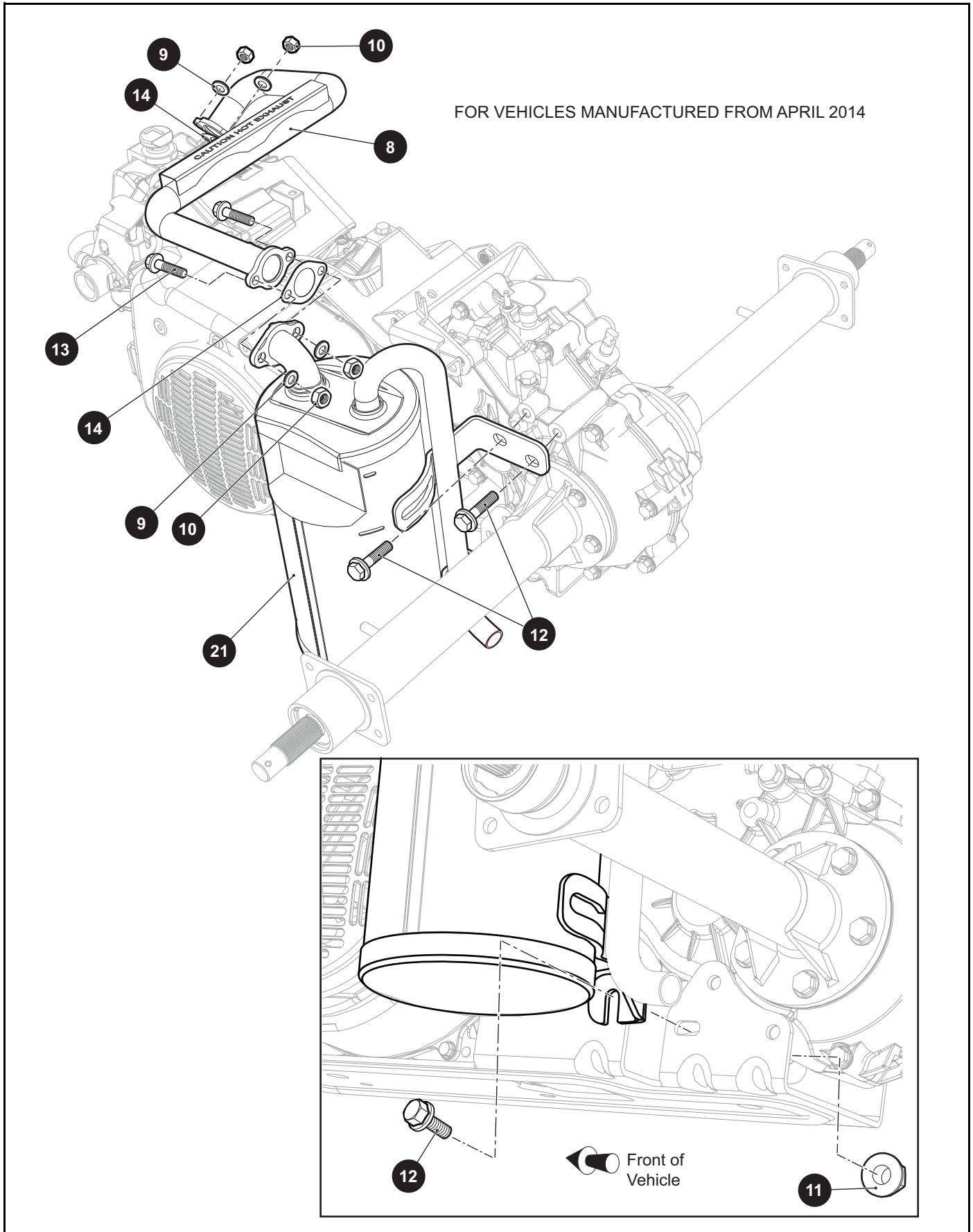
*** Indicates consult Customer Service Department for additional information.

ITEM	PART NO.	1	2	3	4	5	DESCRIPTION	QTY.
147	31539G1						NYLON CLAMP (NOT ILLUSTRATED).....	3
148	645194						HARNESS, 12V POWER OUTLET (FOR VEHICLES MANUFACTURED FROM NOVEMBER 09, 2015).....	1
149								
150								
151	633783						CENTER COMPARTMENT (FOR VEHICLES MANUFACTURED FROM NOVEMBER 09, 2015).....	1
152	648247						FUEL LEVEL GAUGE (FOR VEHICLES MANUFACTURED FROM NOVEMBER 09, 2015).....	1
153	648852						CENTER COMPARTMENT LABEL (FOR VEHICLES MANUFACTURED FROM NOVEMBER 09, 2015).....	1
154	658058						CENTER COMPARTMENT WITH USB	1
155	658061						CENTER COMPARTMENT WITH FUEL AND USB.....	1

ENGINE AND MUFFLER

1 ENGINE, GAS, 13HP includes items 2 - 5





ENGINE AND MUFFLER

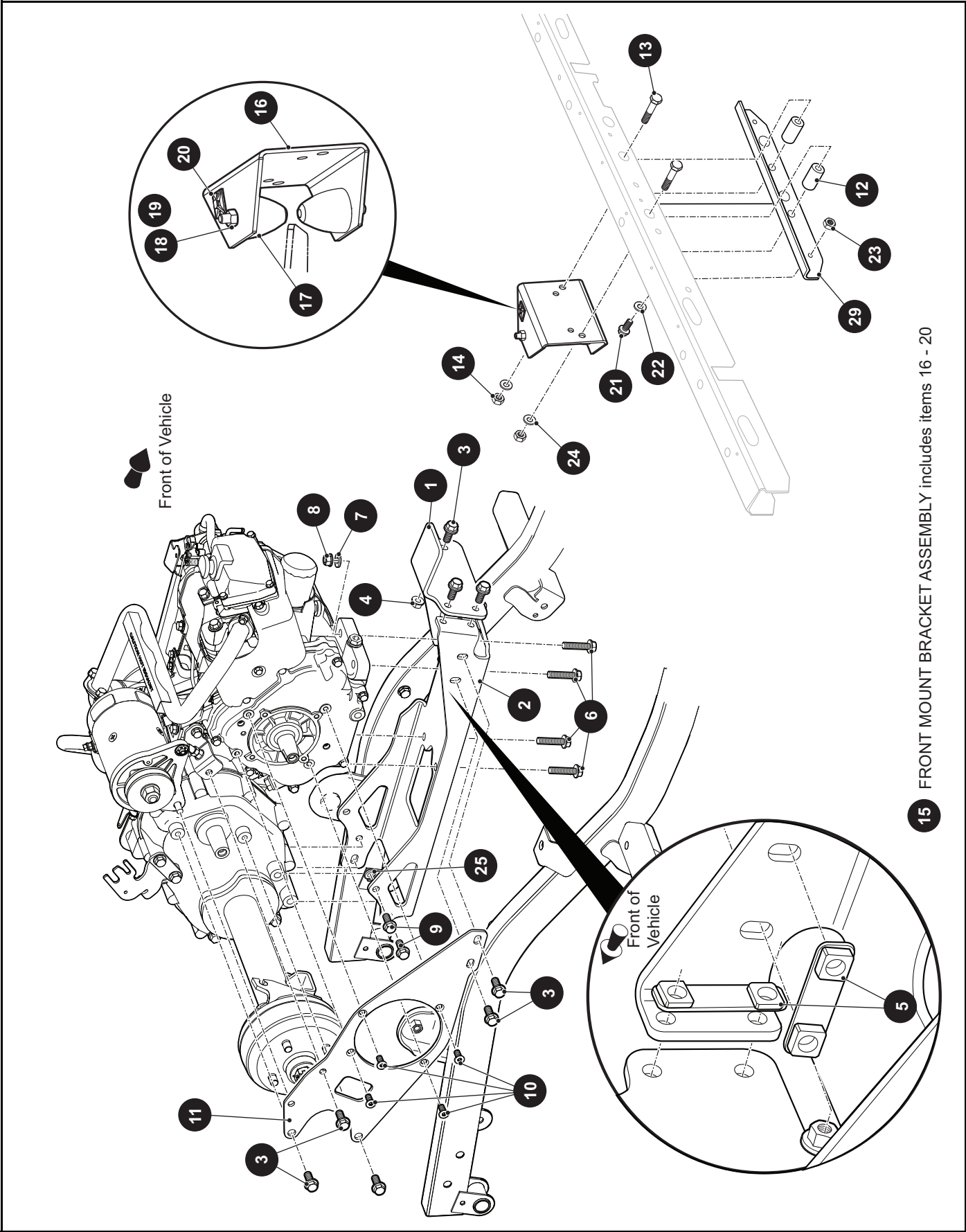
When ordering parts, please specify the model and serial number of the product.

* Indicates a component that is not available as an individual part.

*** Indicates consult Customer Service Department for additional information.

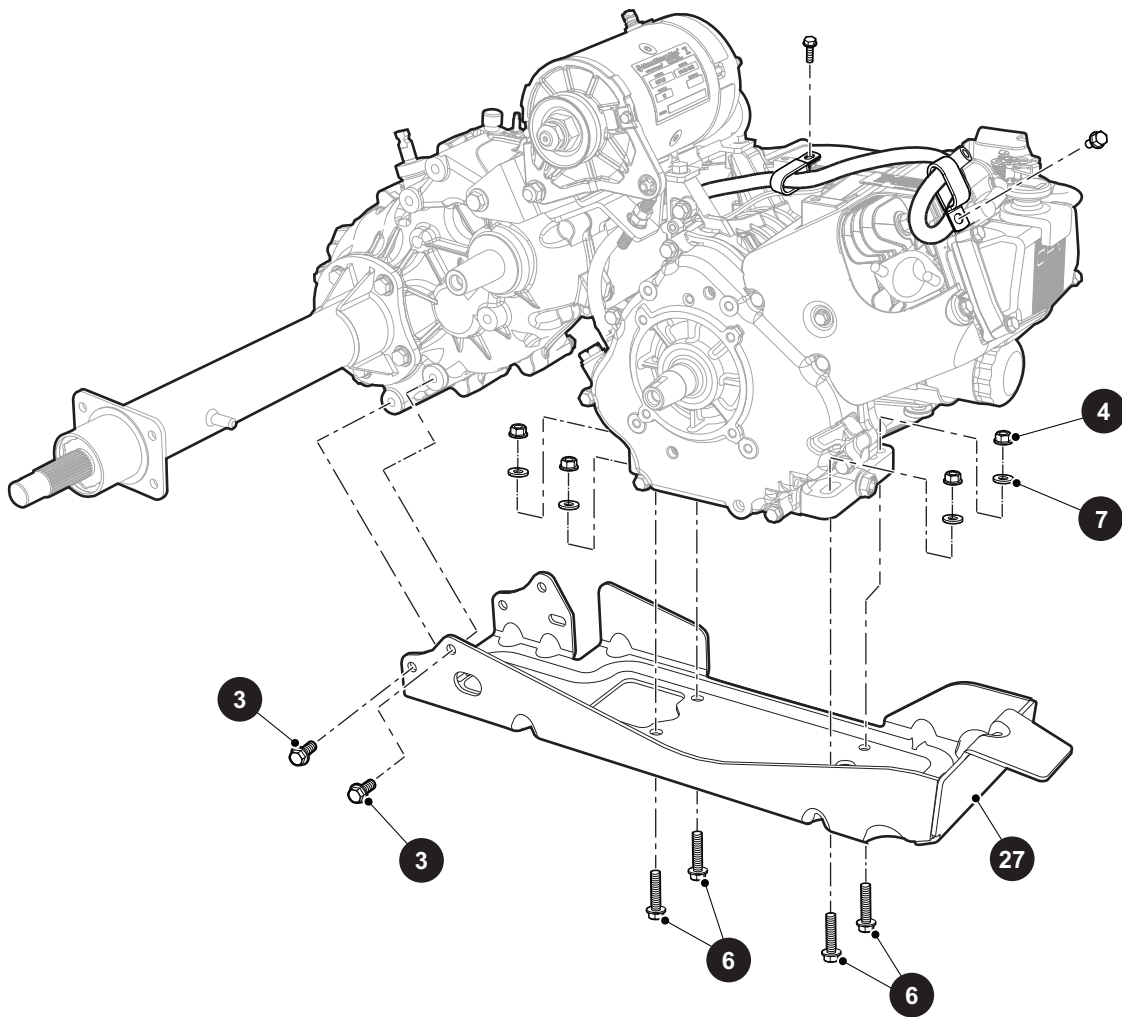
ITEM	PART NO.	1 2 3 4 5	DESCRIPTION	QTY.
1	633740		ENGINE, GAS, 13HP (INCLUDES ITEMS 2 - 5)	1
2	603562		'O' RING, 16MM	1
3	607454		OIL FILTER	1
4	607462		SPARK PLUG (BPR2ES).....	1
5	603557		OIL DRAIN PLUG	1
6	606390		DIP STICK.....	1
7	612266		MUFFLER.....	1
8	606982		EXHAUST PIPE	1
9	606272		SPLIT WASHER, 8MM	4
10	606267		JAM NUT, M8 - 1.25	4
11	606279		FLANGE NUT, M10 - 1.25	1
12	606256		HEX HEAD FLANGE BOLT, M10 - 1.25 X 25MM LG.....	3
13	602330		HEX HEAD FLANGE BOLT, M8 - 1.25 X 30MM LG.....	2
14	603599		EXHAUST GASKET	2
15	27184G12		FUEL TUBE	1
16	606264		HEX HEAD FLANGE BOLT, M6 - 1 X 20MM LG.....	1
17	606962		CLAMP	2
18	606265		HEX HEAD FLANGE BOLT, M6 - 1 X 12MM LG.....	1
19	606391		DIP STICK.....	1
20				
21	630970		MUFFLER (FOR VEHICLES MANUFACTURED FROM APRIL 2014).....	1

ENGINE MOUNTING



15 FRONT MOUNT BRACKET ASSEMBLY includes items 16 - 20

FOR VEHICLES MANUFACTURED AFTER APRIL 2014



ENGINE MOUNTING

When ordering parts, please specify the model and serial number of the product.

* Indicates a component that is not available as an individual part.

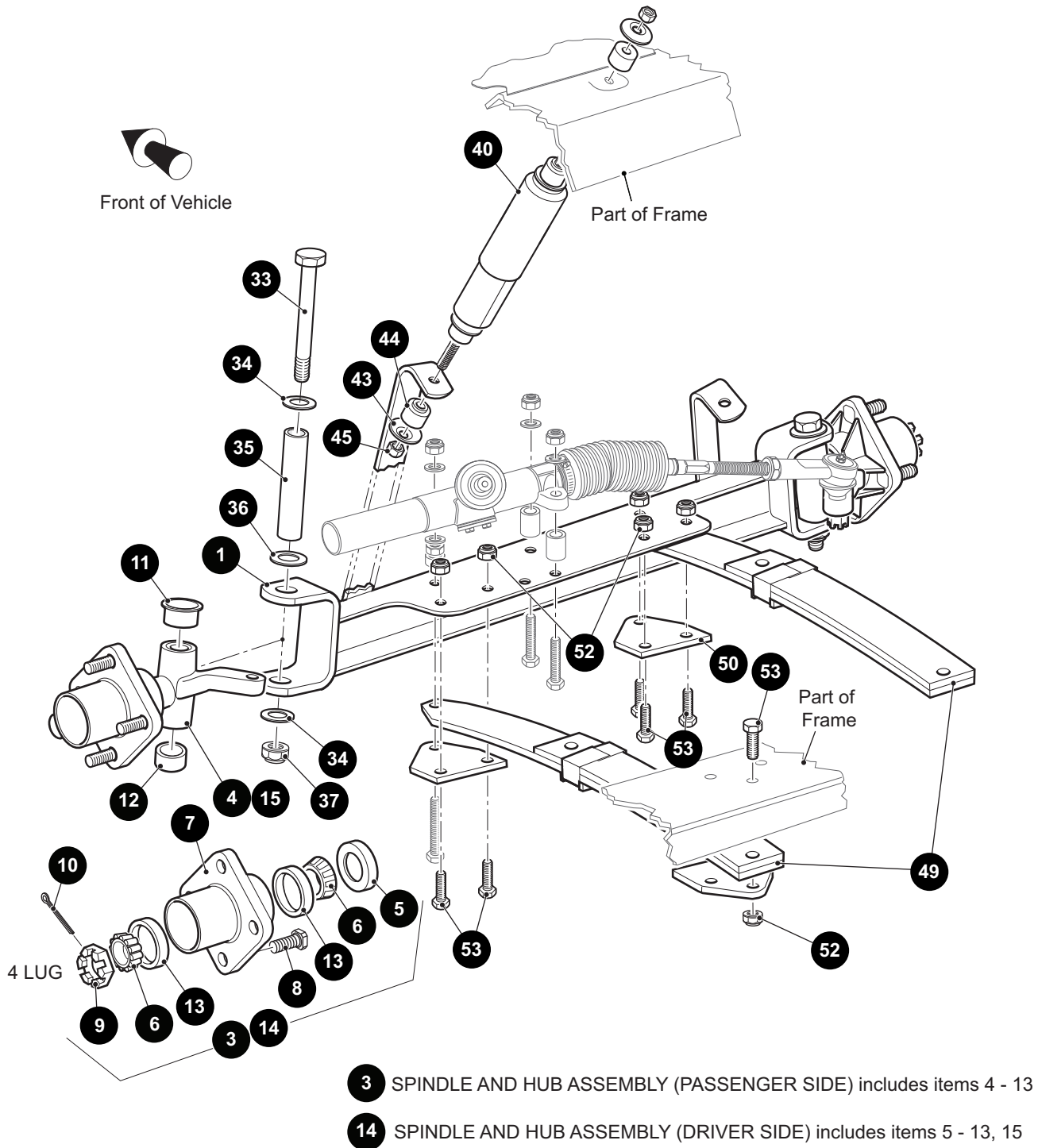
*** Indicates consult Customer Service Department for additional information.

ITEM	PART NO.	1	2	3	4	5	DESCRIPTION	QTY.
1	606007						FRONT ENGINE MOUNT	1
2	603101						ENGINE PAN MOUNT.....	1
3	606256						HEX HEAD FLANGE BOLT, M10 - 1.25 X 25MM LG.....	8
4	606279						FLANGE NUT, M10 - 1.25.....	1
5	606096						NUT PLATE	2
6	606259						HEX HEAD FLANGE BOLT, M10 - 1.25 X 45MM LG.....	4
7	603823						FLAT WASHER, M10 X 22 O.D - 2.5 I.D	4
8	606279						FLANGE NUT, M10 - 1.25.....	4
9	608020						HEX HEAD FLANGE BOLT, M10 - 1.25 X 34MM LG.....	4
10	606246						FLAT HEAD TORX SCREW, T40.....	4
11	602146						DIFFERENTIAL PLATE	1
12	72016G01						TUBE SPACER	2
13	00428G8						HEX HEAD BOLT 3/8" - 16 X 2.75" LG	2
14	11098G5						LOCK NUT 3/8" - 16.....	2
15	627627						FRONT MOUNT BRACKET ASSEMBLY (INCLUDES ITEMS 16 - 20).....	1
16	625345						FRONT MOUNT BRACKET.....	1
17	605757						RUBBER BUMPER.....	2
18	00974G01						HEX NUT, M10 - 1.5.....	2
19	608654						SPLIT LOCK WASHER, 10MM.....	2
20	20058G1						MOUNTING BASE CLAMP, NYLON.....	1
21	00438G7						HEX HEAD SCREW, 5/16" - 18 X 7/8" LG	2
22	00559G8						FLAT WASHER, 5/16"	2
23	01109G01						LOCK NUT, 5/16" - 18	2
24	00643G1						FLAT WASHER, 3/8"	2
25	00560G2						FLAT WASHER, 7/16"	2
26								
27	630776						ENGINE PAN (FOR VEHICLES MANUFACTURED AFTER APRIL 2014)	1
28								
29	652247						CROSSMEMBER BRACE.....	1

Notes:

A large rectangular grid of graph paper with 20 columns and 30 rows, intended for handwritten notes.

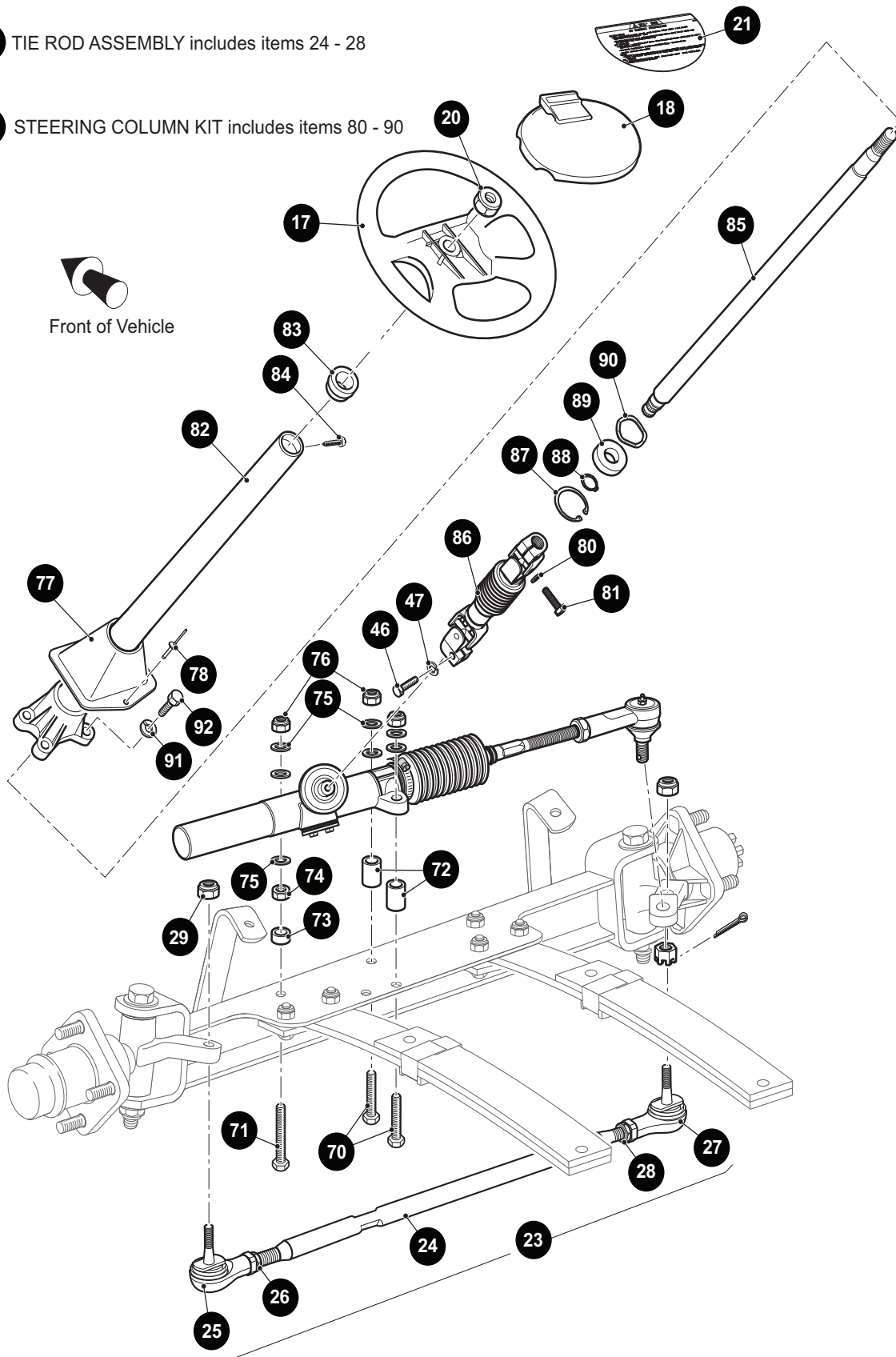
FRONT SUSPENSION AND STEERING



FRONT SUSPENSION AND STEERING

23 TIE ROD ASSEMBLY includes items 24 - 28

79 STEERING COLUMN KIT includes items 80 - 90



FRONT SUSPENSION AND STEERING

When ordering parts, please specify the model and serial number of the product.

* Indicates a component that is not available as an individual part.

*** Indicates consult Customer Service Department for additional information.

ITEM	PART NO.	1 2 3 4 5	DESCRIPTION	QTY.
1	652822		FRONT AXLE	1
2				
3	70942G03		SPINDLE AND HUB ASSEMBLY (PASSENGER SIDE) (INCLUDES ITEMS 4 - 13)	1
4	70940G02		SPINDLE ASSEMBLY (PASSENGER SIDE)	1
5	25146G1		GREASE SEAL	1
6	11750G2		ROLLER BEARING	2
7	70589G01		WHEEL HUB	1
8	19862G1		LUG BOLT, 1/2" - 20 X 1 3/16" LG	4
9	12093G1		CASTELLATED NUT, 1" - 14	1
10	00798G8		COTTER PIN, 5/32" X 1 3/4" LG	1
11	70648G01		FLANGED BEARING	1
12	70749G01		BEARING	1
13	51141G1		RACE BEARING	2
14	70673G03		SPINDLE AND HUB ASSEMBLY (DRIVER SIDE) (INCLUDES ITEMS 5 - 13, 15)	1
15	70742G02		SPINDLE ASSEMBLY (DRIVER SIDE)	1
16				
17	602979		STEERING WHEEL	1
18	607925		CLIPBOARD	1
19				
20	14390G2		LOCK NUT, 5/8" - 18	1
21	608529		WARNING LABEL	1
22				
23	70876G02		TIE ROD ASSEMBLY (INCLUDES ITEMS 24 - 28)	1
24	70897G02		THREADED ROD, 24" LG	1
25	70902G01		TIE ROD END (LEFT HAND THREADS)	1
26	01069G01		JAM NUT, M12 X 1.25 (LEFT HAND THREADS)	1
27	70902G02		TIE ROD END (RIGHT HAND THREADS)	1
28	01069G02		JAM NUT, M12 X 1.25 (RIGHT HAND THREADS)	1
29	00734G1		LOCK NUT, 7/16" - 14	2
30				

FRONT SUSPENSION AND STEERING

When ordering parts, please specify the model and serial number of the product.

* Indicates a component that is not available as an individual part.

*** Indicates consult Customer Service Department for additional information.

ITEM	PART NO.	1 2 3 4 5	DESCRIPTION	QTY.
31				
32				
33	00407G6		HEX HEAD BOLT, 1/2" - 13 X 6" LG	2
34	00560G3		WASHER, 1/2"	4
35	70745G01		KING PIN TUBE	2
36	70754G01		THRUST WASHER (SS), 1"	2
37	14390G6		LOCK NUT, 1/2" - 13	2
38				
39				
40	76419G01		SHOCK ABSORBER.....	2
41				
42				
43	10435G1		SHOCK ABSORBER WASHER.....	8
44	10194G1		RUBBER BUSHING	8
45	00532G6		HEX NUT, 3/8" - 24	4
46	01055G01		HEX HEAD BOLT, M8 X 1.25 - 6G.....	1
47	00565G8		LOCK WASHER, 5/16"	1
48				
49	70990G03		LEAF SPRING (SEE PART NUMBER ON SPRING).....	2
50	652258		SPRING PLATE	4
51				
52	00734G1		LOCK NUT, 7/16" - 14.....	11
53	00463G11		HEX HEAD BOLT, 7/16" - 14 X 1 3/4" LG	11
54				
55				
56				
57				
58				
59				
60				
61				

FRONT SUSPENSION AND STEERING

When ordering parts, please specify the model and serial number of the product.

* Indicates a component that is not available as an individual part.

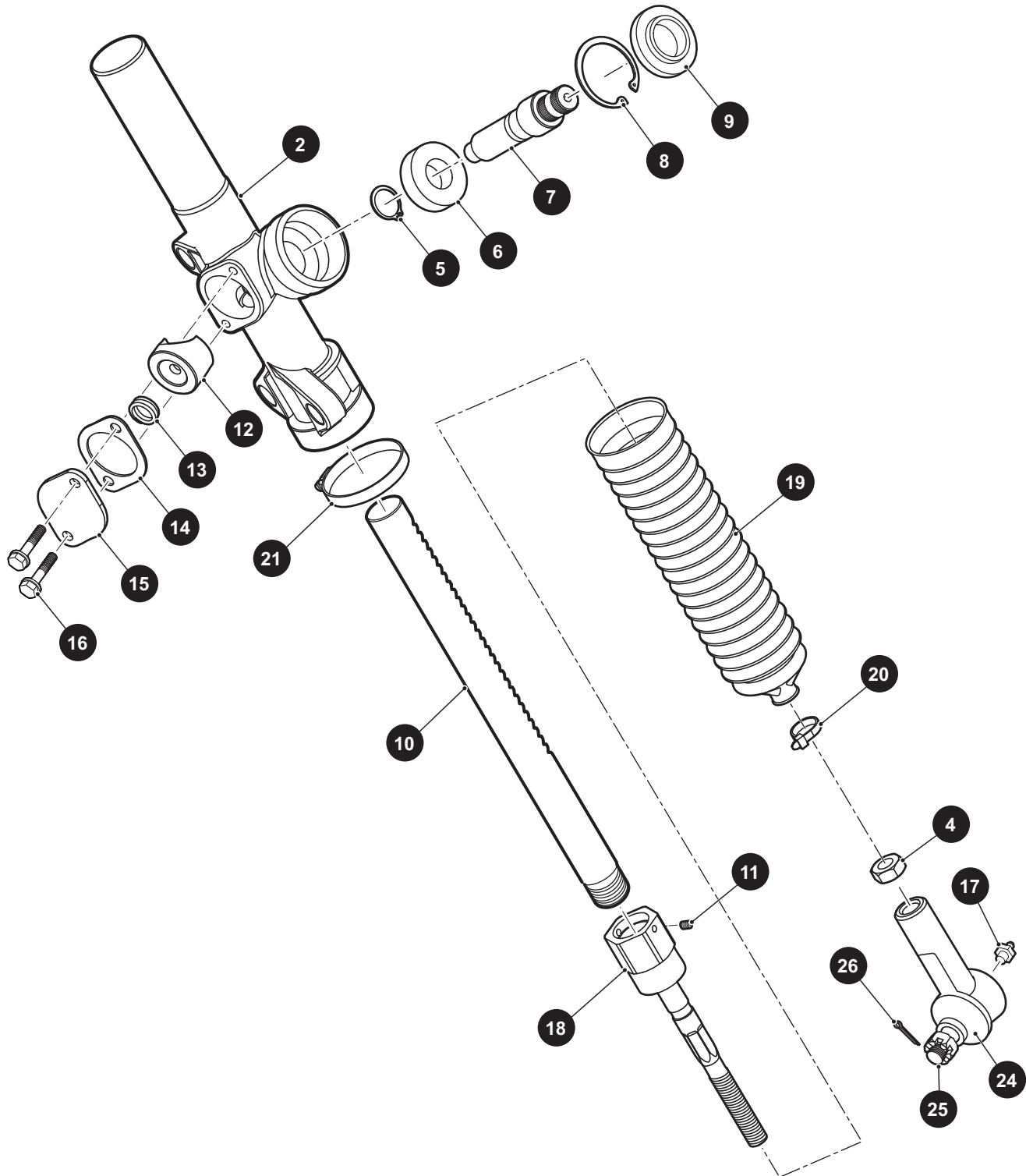
*** Indicates consult Customer Service Department for additional information.

ITEM	PART NO.	1	2	3	4	5	DESCRIPTION	QTY.
62								
63								
64								
65								
66								
67								
68								
69								
70	00464G8						HEX HEAD BOLT, 7/16" - 14 X 2 3/4" LG.....	2
71	01068G01						HEX HEAD BOLT, 7/16" - 14 X 3 1/2" LG.....	1
72	70667G02						SPACER, 1.21"	2
73	70667G04						SPACER (SHORT), .69"	1
74	00532G7						HEX NUT, 7/16" - 14.....	1
75	00560G2						FLAT WASHER, 7/16"	7
76	00734G1						LOCK NUT, 7/16" - 14	3
77	70997G01						COVER.....	1
78	71055G01						RIVET (ALUMINUM), 3/16" X 1" LG.....	1
79	70758G05						STEERING COLUMN KIT (INCLUDES ITEMS 80 - 90)	1
80	00565G8						LOCK WASHER, 5/16"	1
81	01055G01						HEX HEAD BOLT, M8 X 1.25 - 6G.....	1
82	70610G03						STEERING COLUMN	1
83	28569G01						STEERING COLUMN BUSHING.....	1
84	01022G01						HEX WASHER HEAD SCREW, #6 - 20 X 5/16" LG	1
85	70607G01						STEERING SHAFT	1
86	70580G01						INTERMEDIATE SHAFT	1
87	70751G01						RETAINING RING (INTERNAL).....	1
88	70888G01						RETAINING RING (EXTERNAL)	1
89	15112G1						BALL BEARING	1
90	70887G01						WAVE WASHER	1
91	00879G1						LOCK WASHER, 3/8"	4
92	01006G01						HEX HEAD BOLT, 3/8" - 16 X 1 1/4" LG.....	4

FRONT SUSPENSION AND STEERING

1 RACK AND PINION UNIT includes items 2 - 23

23 RACK BALL JOINT includes items 24 - 25



FRONT SUSPENSION AND STEERING

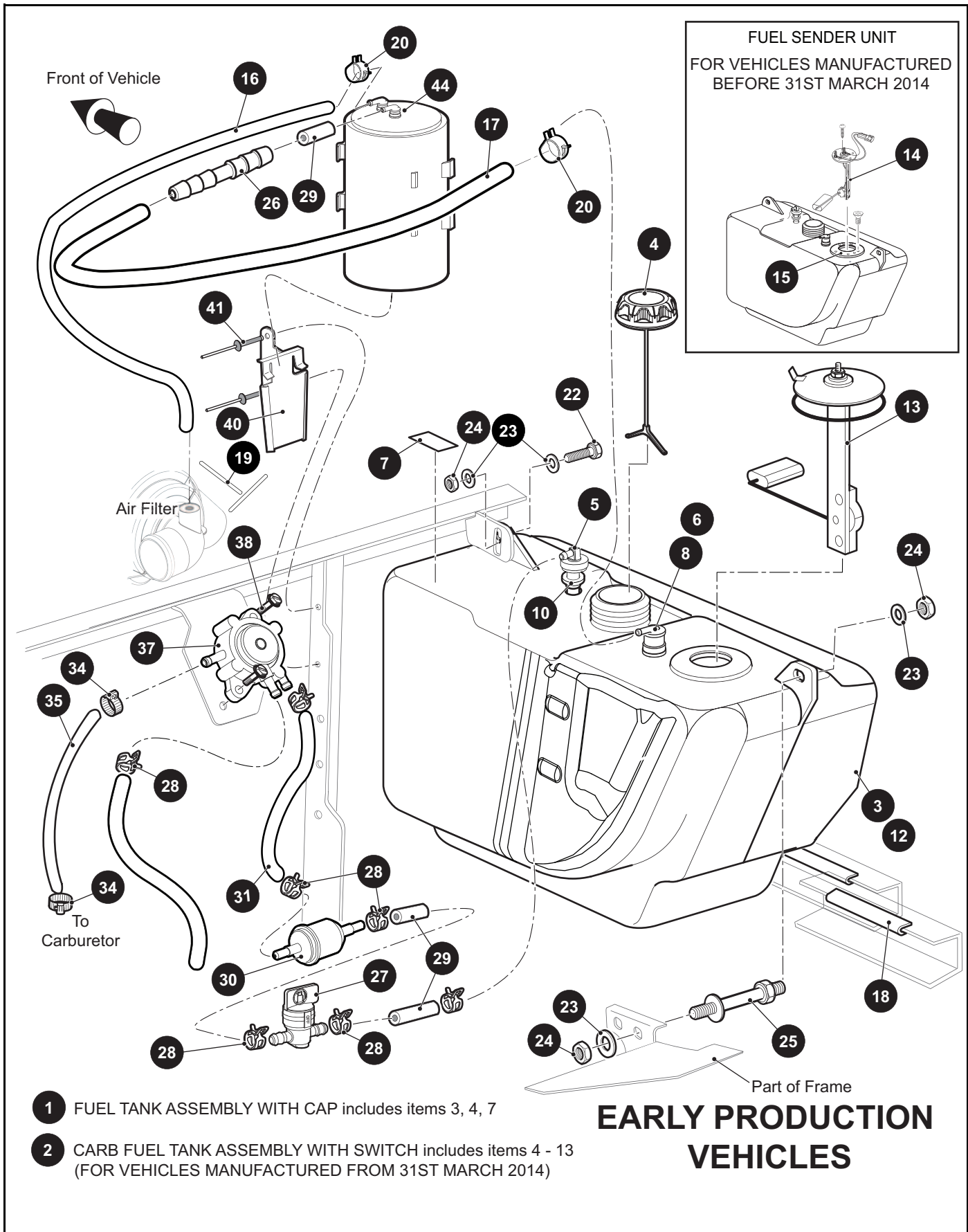
When ordering parts, please specify the model and serial number of the product.

* Indicates a component that is not available as an individual part.

*** Indicates consult Customer Service Department for additional information.

ITEM	PART NO.	1 2 3 4 5	DESCRIPTION	QTY.
1	70964G01		RACK AND PINION UNIT (INCLUDES ITEMS 2 - 23)	1
2	70965G01		STEERING RACK COVER & BEARING	1
3				
4	*		JAM NUT, 1/2" - 20	1
5	70750G01		RETAINING RING (EXTERNAL)	1
6	15112G1		BALL BEARING	1
7	70603G01		PINION	1
8	70751G01		RETAINING RING (INTERNAL)	1
9	70638G01		SEAL (PINION)	1
10	70604G01		STEERING RACK	1
11	*		SET SCREW, #10 - 32 X .25" LG	1
12	70590G01		RACK LOADER	1
13	70666G01		COMPRESSION SPRING	1
14	70645G01		GASKET (RACK LOADER COVER)	1
15	652259		COVER (RACK LOADER)	1
16	71102G01		HEX WASHER HEAD BOLT, 1/4" - 20 X 11/16" LG	2
17	10389G3		GREASE FITTING (STRAIGHT)	1
18	74694G01		ROD END (INNER)	1
19	70961G01		RACK BOOT	1
20	12416G2		NYLON CLAMP, 10"	1
21	11391G8		HOSE CLAMP, 1.81"	1
22				
23	70695G01		TIE ROD END (OUTER) (INCLUDES ITEMS 24 - 25)	1
24	50641G1		GROMMET	1
25	50209G2		HEX SLOTTED NUT, 7/16" - 20	1
26	10387G2		COTTER PIN, 3/32" X 1"	1

FUEL SYSTEM



When ordering parts, please specify the model and serial number of the product.

* Indicates a component that is not available as an individual part.

*** Indicates consult Customer Service Department for additional information.

ITEM	PART NO.	1 2 3 4 5	DESCRIPTION	QTY.
1	645032		FUEL TANK ASSEMBLY WITH CAP (INCLUDES ITEMS 3, 4, 7).....	1
2	645034		CARB FUEL TANK ASSEMBLY WITH SWITCH (INCLUDES ITEMS 4 - 13) (FOR VEHICLES MANUFACTURED FROM 31ST MARCH 2014)	1
3	*		FLUOR FUEL TANK (WITHOUT SENDER UNIT).....	1
4	633423		FUEL TANK CAP (RATCHET).....	1
5	18287G3		SIPHON TUBE ASSEMBLY	1
6	606068		ROLLOVER VALVE GROMMET	1
7	625826		EPA FUEL TANK LABEL	1
8	606067		ROLLOVER VALVE	1
9				
10	70988G01		SIPHON TUBE GROMMET.....	1
11				
12	*		NON FLUOR FUEL TANK (WITH SENDER UNIT)	1
13	633024G02		PRESS FIT FUEL SENDER	1
14	20048G2		FUEL LEVEL SENDER.....	1
15	72229G01		FUEL TANK ADAPTER.....	1
16	606966		LOW PRESSURE FUEL HOSE (CARB), 3/8" O.D X 3/16" I.D X 34" LG	1
17	607546		LOW PRESSURE FUEL HOSE (CARB), 3/8" O.D X 3/16" I.D X 17" LG	1
18	32372G6		BLACK TRIM, 6.25" LG	1
19	17618G1		NYLON CLAMP	2
20	606963		TUBING CLAMP, 3/16" I.D.....	2
21				
22	00438G8		HEX HEAD BOLT, 5/16" - 18 X 1" LG	1
23	00559G8		FLAT WASHER, 5/16".....	4
24	11098G6		LOCK NUT, 5/16" - 18.....	3
25	70483G01		SPACER, 5/16" - 18	1
26	615346		HOSE REDUCER, 1/4" I.D X 3/16".....	1
27	611181		FUEL SHUT-OFF VALVE	1
28	18292G1		HOSE CLAMP, .5" DIA.....	8
29	615350		FUEL SYSTEM HOSE, 2" LG	3

FUEL SYSTEM

When ordering parts, please specify the model and serial number of the product.

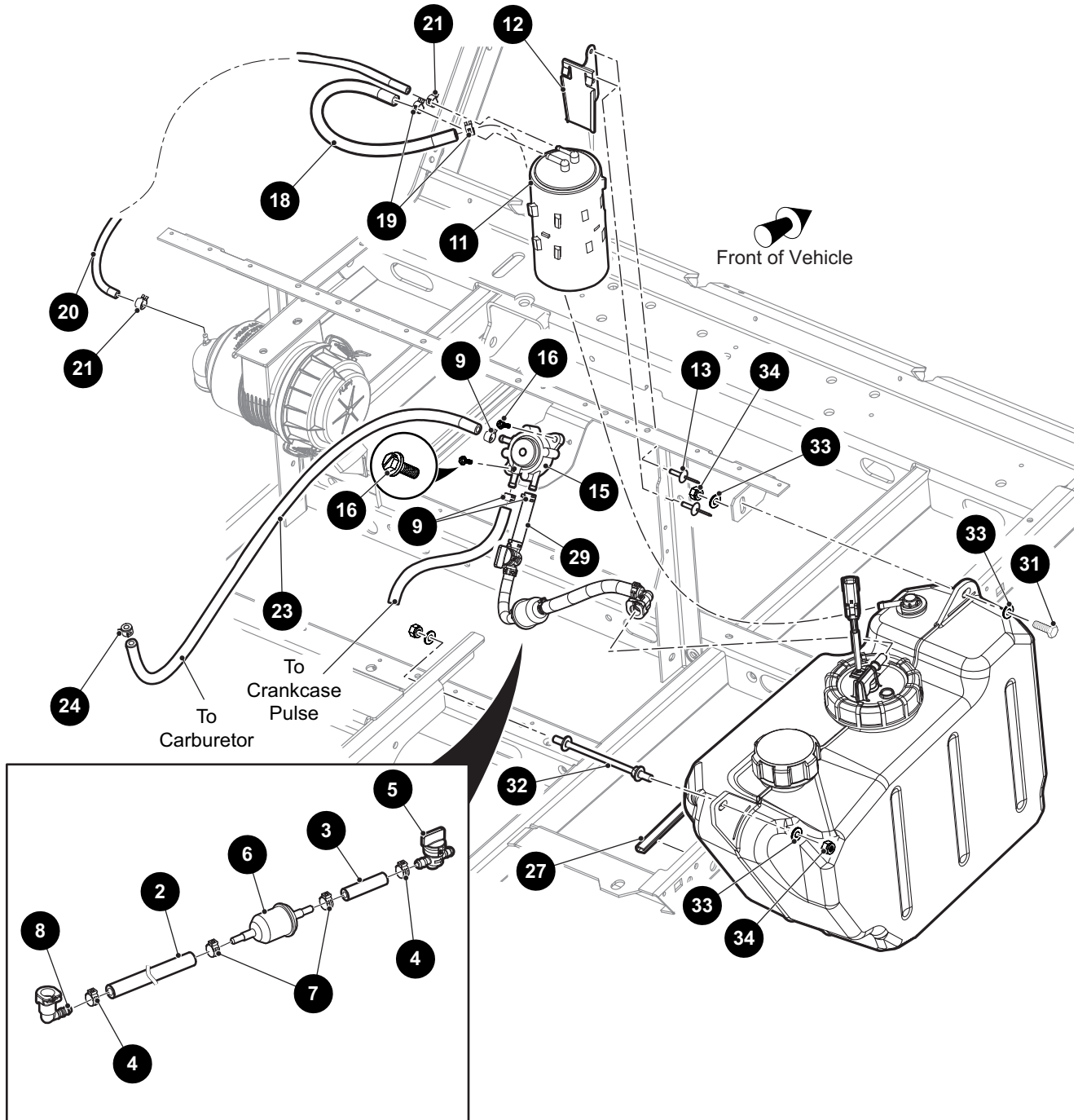
* Indicates a component that is not available as an individual part.

*** Indicates consult Customer Service Department for additional information.

ITEM	PART NO.	1 2 3 4 5	DESCRIPTION	QTY.
30	72084G01		FUEL LINE FILTER	1
31	606969		FUEL SYSTEM HOSE, 8" LG	1
32				
33				
34	11391G4		HOSE CLAMP, .25" - .63" DIA.....	2
35	604597		CARB FUEL SYSTEM HOSE, 26" LG	1
36				
37	602061		FUEL PUMP	1
38	00114G6		HEX HEAD TAPPING SCREW, 1/4" - 14 X .75" LG.....	2
39				
40	606310		CARBON CANISTER MOUNTING BRACKET (CARB ONLY).....	1
41	10570G11		RIVET, 3/16" DIA X .70" (CARB ONLY).....	2
42				
43				
44	606071		CARBON CANISTER (CARB ONLY)	1

FUEL SYSTEM

1 FUEL LINE ASSEMBLY includes items 2 - 8



LATE PRODUCTION VEHICLES

When ordering parts, please specify the model and serial number of the product.

* Indicates a component that is not available as an individual part.

*** Indicates consult Customer Service Department for additional information.

ITEM	PART NO.	1 2 3 4 5	DESCRIPTION	QTY.
1	649515		FUEL LINE ASSEMBLY (INCLUDES ITEMS 2 - 8)	1
2	649570		HOSE, .312" I.D. X .562" O.D. X 9" LG	1
3	615350		HOSE, 2" LG	1
4	649873		CLAMP, 1/2" O.D.	2
5	611181		SHUT-OFF VALVE.....	1
6	72084G01		FUEL FILTER	1
7	649874		CLAMP, 9/16" O.D.	2
8	649577		CONNECTOR, 5/16" I.D.	1
9	18292G1		CLAMP, 1/2" O.D.	3
10				
11	606071		CARBON CANISTER.....	1
12	606310		CANISTER BRACKET	1
13	10570G11		RIVET (SS), 3/16" X .70"	2
14				
15	602061		FUEL PUMP.....	1
16	00114G6		HEX WASHER HEAD BOLT, 1/4" - 10 X 3/4" LG	2
17				
18	27184G14		FUEL SYSTEM TUBE.....	1
19	18292G1		CLAMP, 1/2" O.D.	2
20	606966		HOSE, 3/16" I.D. X 34" LG.....	1
21	606963		CLAMP, 3/16" I.D.	2
22				
23	604597		FUEL HOSE, 26" LG.....	1
24	18292G1		CLAMP, 1/2" O.D.	1
25				
26	17618G1		NYLON CLAMP, 7" LG (NOT ILLUSTRATED).....	2
27	32372G6		VINYL TRIM, 6.25" LG	1
28				
29	615350		FUEL HOSE, 2" LG.....	1
30				
31	00438G8		HEX HEAD BOLT, 5/16" - 18 X 5/8" LG	1

FUEL SYSTEM

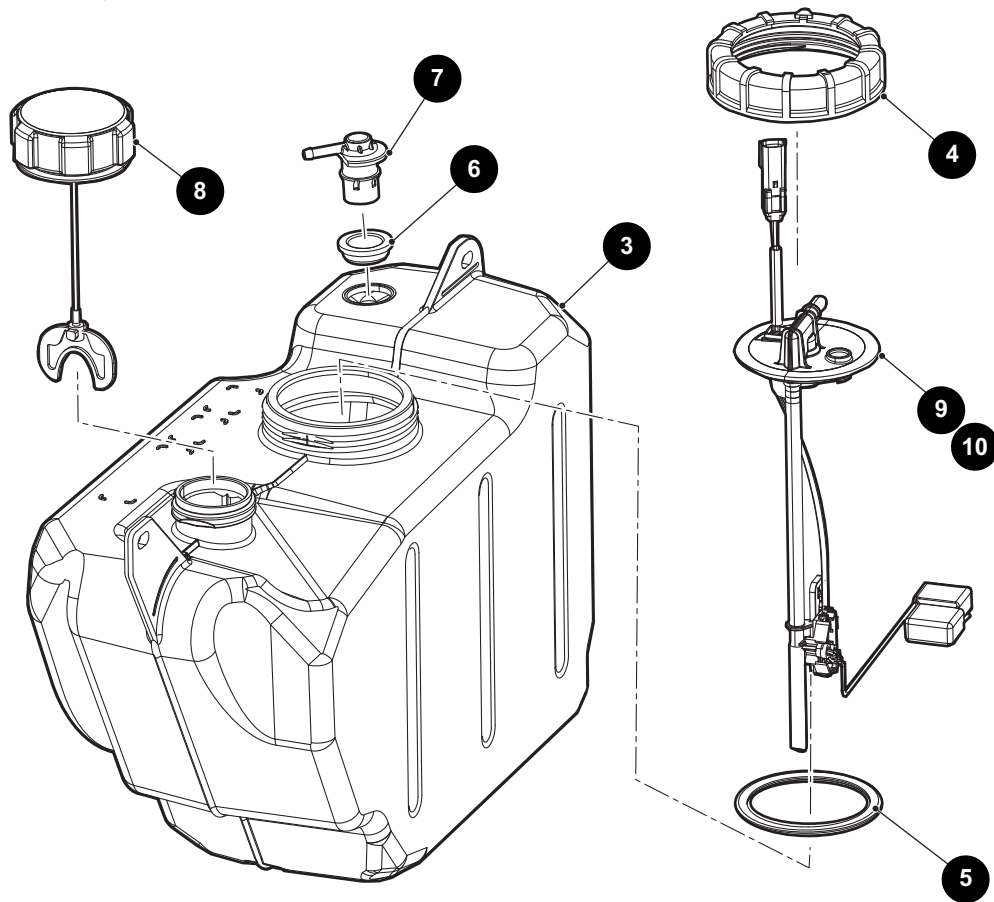
When ordering parts, please specify the model and serial number of the product.

* Indicates a component that is not available as an individual part.

*** Indicates consult Customer Service Department for additional information.

ITEM	PART NO.	1 2 3 4 5	DESCRIPTION	QTY.
32	70483G01		SPACER	1
33	00559G8		FLAT WASHER, 5/16"	4
34	11098G6		LOCK NUT, 5/16" - 18	3

- 1 FUEL TANK ASSEMBLY (WITH SENDER UNIT)
includes items 3 - 9
- 2 FUEL TANK ASSEMBLY (WITHOUT SENDER UNIT)
includes items 3 - 8, 10



LATE PRODUCTION VEHICLES

FUEL SYSTEM

When ordering parts, please specify the model and serial number of the product.

* Indicates a component that is not available as an individual part.

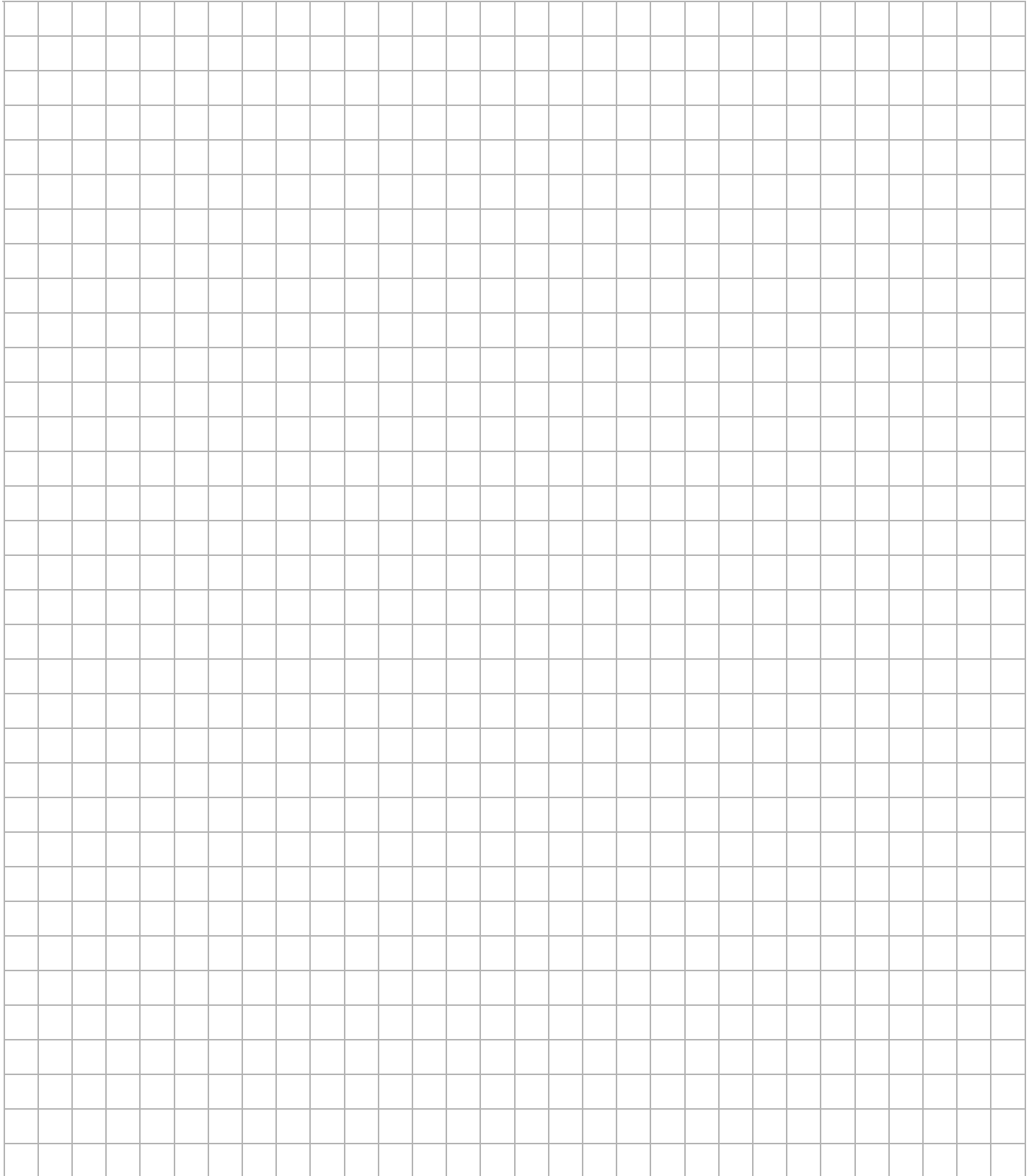
*** Indicates consult Customer Service Department for additional information.

ITEM	PART NO.	1 2 3 4 5	DESCRIPTION	QTY.
1	656139		FUEL TANK ASSEMBLY (WITH SENDER UNIT) (INCLUDES ITEMS 3 - 9)	1
2	656138		FUEL TANK ASSEMBLY (WITHOUT SENDER UNIT) (INCLUDES ITEMS 3 - 8, 10)	1
3	646306		FUEL TANK	1
4	646837		CAP	1
5	646838		SEAL.....	1
6	647810		GROMMET	1
7	647809		ROLLOVER VALVE	1
8	635688		FUEL CAP	1
9	656144		FUEL PICKUP WITH SENDER ASSEMBLY	1
10	656135		FUEL PICKUP WITHOUT SENDER ASSEMBLY	1

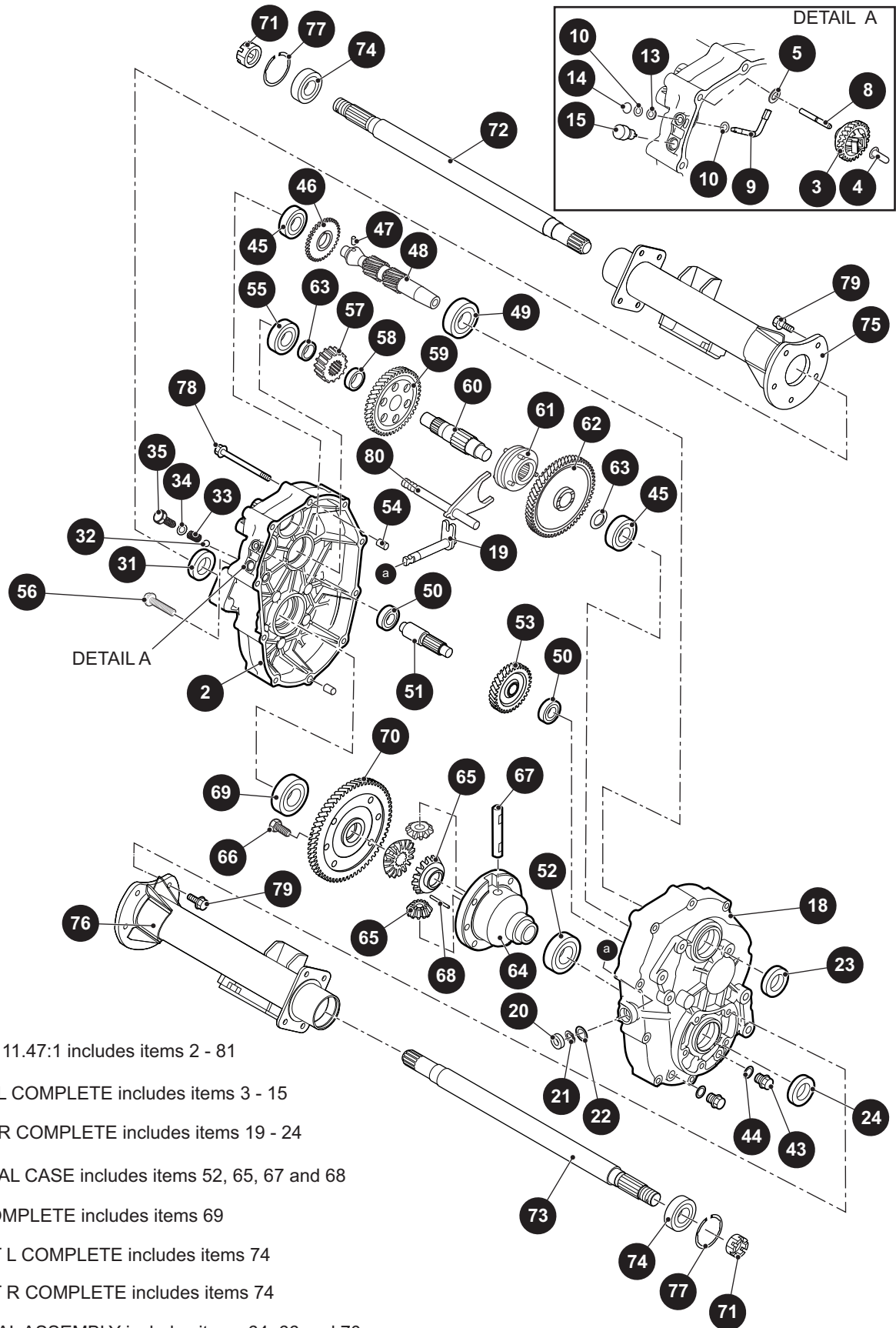
Notes:

A large grid of graph paper consisting of 30 columns and 30 rows of small squares, intended for taking notes.

Notes:

A large grid of graph paper for taking notes. The grid consists of 30 columns and 30 rows of small squares.

REAR AXLE



- 1 REAR AXLE, 11.47:1 includes items 2 - 81
- 2 AXLE CASE L COMPLETE includes items 3 - 15
- 18 AXLE CASE R COMPLETE includes items 19 - 24
- 64 DIFFERENTIAL CASE includes items 52, 65, 67 and 68
- 70 GEAR, 60 COMPLETE includes items 69
- 72 AXLE SHAFT L COMPLETE includes items 74
- 73 AXLE SHAFT R COMPLETE includes items 74
- 81 DIFFERENTIAL ASSEMBLY includes items 64, 66 and 70

When ordering parts, please specify the model and serial number of the product.

* Indicates a component that is not available as an individual part.

*** Indicates consult Customer Service Department for additional information.

ITEM	PART NO.	1 2 3 4 5	DESCRIPTION	QTY.
1	670468		REAR AXLE, 11.47:1 (INCLUDES ITEMS 2 - 81).....	1
2	639859		AXLE CASE L COMPLETE (INCLUDES ITEMS 3 - 15)	1
3	665887		GOVERNOR GEAR	1
4	639689		GOVERNOR SLEEVE	1
5	607904		FLAT WASHER	1
6				
7				
8	639698		GOVERNOR GEAR SHAFT	1
9	639707		GOVERNOR SHAFT	1
10	639736		FLAT WASHER, 6MM	2
11				
12				
13	607911		OIL SEAL, 6 x 10 x 2.5MM.....	1
14	607913		RETAINING RING E5	1
15	607919		AIR BREATHER.....	1
16				
17				
18	639865		AXLE CASE R COMPLETE (INCLUDES ITEMS 19 - 24)	1
19	639746		SELECT SHAFT	1
20	607915		OIL SEAL, 13 x 22 x 5MM.....	1
21	607916		SNAP RING, 13MM	1
22	607917		SPACER, 13 x 1MM.....	1
23	640093		OIL SEAL, 28 x 47 x 9MM.....	1
24	639738		OIL SEAL, 24 x 40 x 9MM.....	2
25				
26				
27				
28				
29				
30				
31				

REAR AXLE

When ordering parts, please specify the model and serial number of the product.

* Indicates a component that is not available as an individual part.

*** Indicates consult Customer Service Department for additional information.

ITEM	PART NO.	1	2	3	4	5	DESCRIPTION	QTY.
32	26818G01						STEEL BALL	1
33	26819G01						SPRING	1
34	26831G01						GASKET, 10	1
35	26820G01						FLANGED HEX HEAD BOLT, M10 x 1.25 x 12 MM LG.....	1
36								
37								
38								
39								
40								
41								
42								
43	639747						OIL DRAIN PLUG	2
44	639748						GASKET, 14MM.....	2
45	26785G01						BALL BEARING (6204).....	2
46	665888						GOVERNOR GEAR, 34.....	1
47	607920						PIN, 6 x 12L	1
48	639750						INPUT SHAFT.....	1
49	607922						BALL BEARING (62/28).....	1
50	639868						BALL BEARING (TMB202)	2
51	639755						COUNTER SHAFT.....	1
52	640744						BALL BEARING (6006).....	1
53	639758						GEAR, 34	1
54	639869						KNOCK PIPE	2
55	639760						BALL BEARING (6304).....	2
56	639768						FLANGED HEX HEAD BOLT, M8 - 1.25 X 40MM LG.....	1
57	639769						GEAR, 17	1
58	28689G01						COLLAR, 24 x 7.5MM	1
59	639771						GEAR, 52	1
60	670697						CENTER SHAFT.....	1
61	639774						CLUTCH PIN.....	1
62	670696						GEAR, 61	1

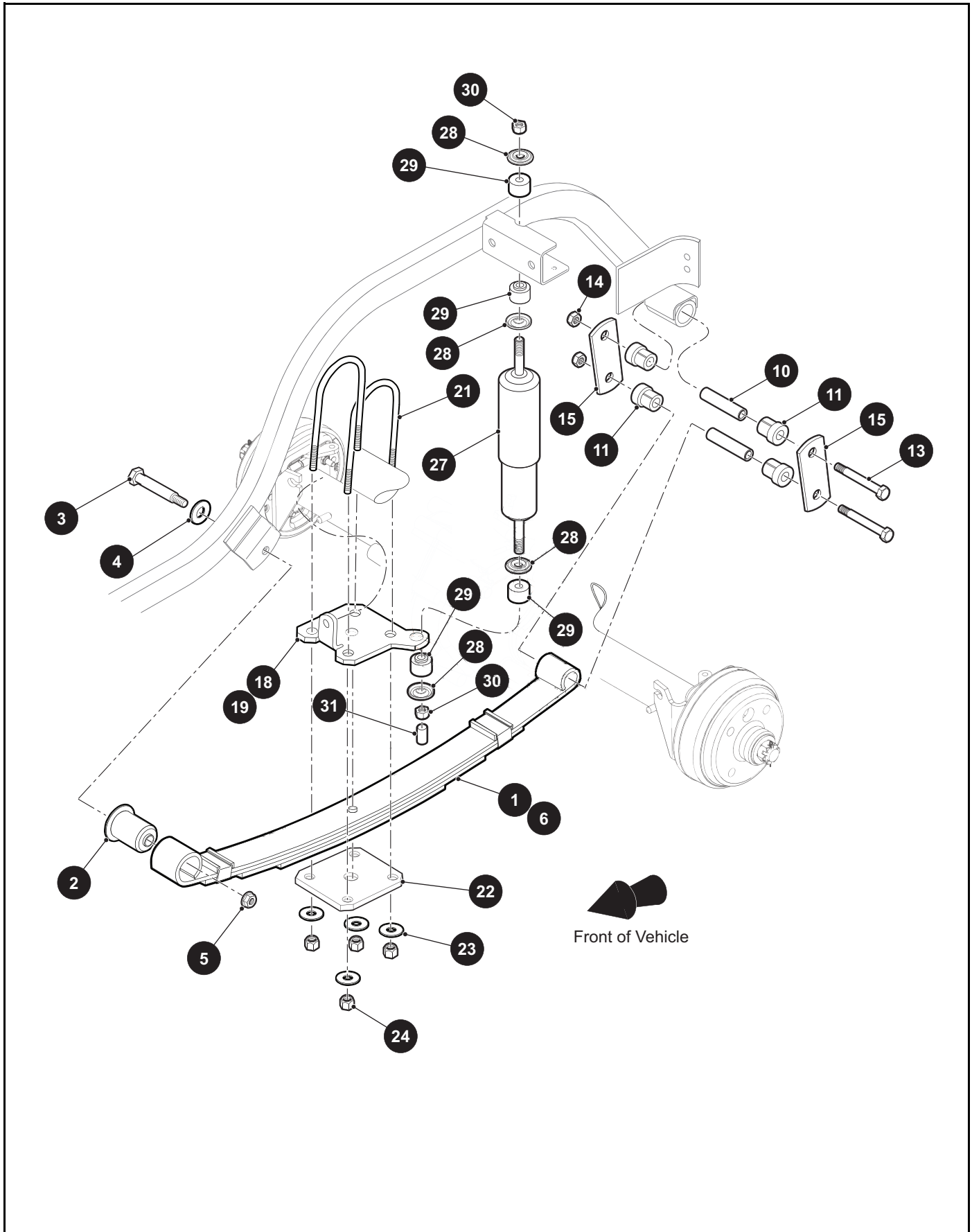
When ordering parts, please specify the model and serial number of the product.

* Indicates a component that is not available as an individual part.

*** Indicates consult Customer Service Department for additional information.

ITEM	PART NO.	1	2	3	4	5	DESCRIPTION	QTY.
63	639797						SPACER, 20 x 2MM	2
64	639872						DIFFERENTIAL CASE (INCLUDES ITEMS 52, 65, 67 AND 68)	1
65	639800						DIFFERENTIAL PAIR GEAR	1
66	26808G01						HEX HEAD BOLT, M10 x 1.25 x 26MM LG	6
67	28723G01						DIFFERENTIAL SHAFT	1
68	28697G01						SPRING PIN, 4 x 40L	1
69	639801						BALL BEARING (6007)	1
70	640739						GEAR, 60 COMPLETE (INCLUDES ITEM 69)	1
71	607938						CASTLED NUT, M22 - 1.5	2
72	639876						AXLE SHAFT L COMPLETE (INCLUDES ITEM 74)	1
73	639881						AXLE SHAFT R COMPLETE (INCLUDES ITEM 74)	1
74	639836						BALL BEARING (6205DD)	2
75	607939						AXLE CASE L COMPLETE	1
76	607940						AXLE CASE R COMPLETE	1
77	26814G01						SNAP RING, 52MM	2
78	639839						FLANGED HEX HEAD BOLT, M8 x 1.25 x 60MM LG	9
79	639840						FLANGED HEX HEAD BOLT, M10 x 1.25 x 25MM LG	10
80	639844						SHIFT SHAFT COMPLETE	1
81	639847						DIFFERENTIAL ASSEMBLY (INCLUDES ITEMS 64, 66 AND 70)	1

REAR SUSPENSION



REAR SUSPENSION

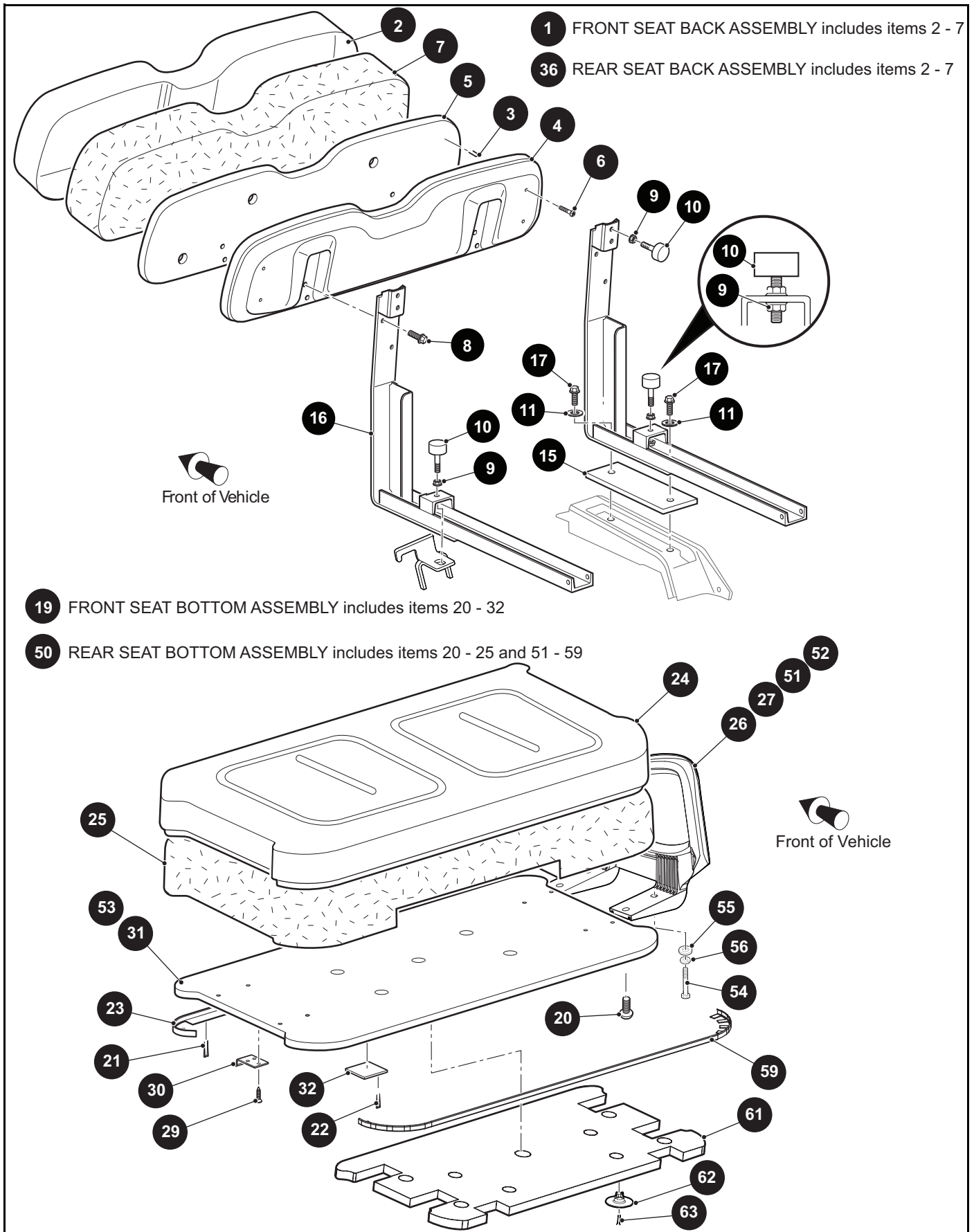
When ordering parts, please specify the model and serial number of the product.

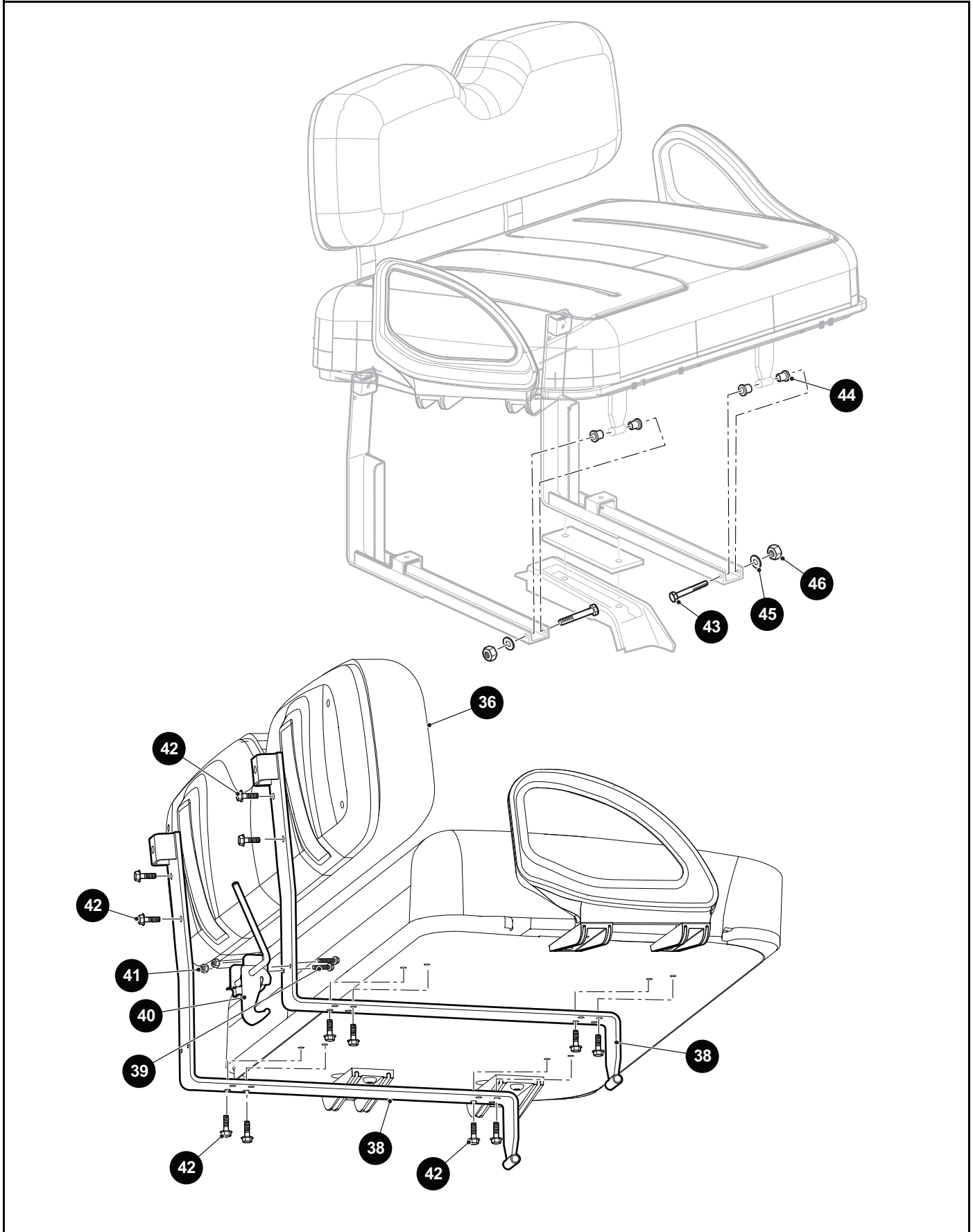
* Indicates a component that is not available as an individual part.

*** Indicates consult Customer Service Department for additional information.

ITEM	PART NO.	1 2 3 4 5	DESCRIPTION	QTY.
1	605721		HEAVY DUTY LEAF SPRING.....	2
2	605445		LEAF SPRING BUSHING (FRONT)	2
3	00665G9		HEX HEAD BOLT (SS), 3/8" - 16 X 3 1/2" LG	2
4	00643G1		FLAT WASHER, 3/8"	2
5	12262G1		FLANGED LOCK NUT, 3/8" - 16.....	2
6	605722		HEAVY DUTY LEAF SPRING (2+2 ONLY).....	2
7				
8				
9				
10	70289G02		SPLIT SPACER (STEEL).....	4
11	624030		FLANGED BUSHING.....	8
12				
13	00665G9		HEX HEAD BOLT (SS), 3/8" - 16 X 3 1/2" LG	4
14	11098G5		LOCK NUT, 3/8" - 16.....	4
15	652245		SHACKLE PLATE	4
16				
17				
18	605938		AXLE BRACKET (DRIVER SIDE).....	1
19	605958		AXLE BRACKET (PASSENGER SIDE).....	1
20				
21	32195G3		U-BOLT, 2 3/8" DIA X 5" LG	4
22	652246		REAR SUSPENSION PLATE	2
23	00643G1		FLAT WASHER, 3/8"	8
24	11098G5		LOCK NUT, 3/8" - 16.....	8
25				
26				
27	642085		SHOCK ABSORBER.....	2
28	10435G1		WASHER (SHOCK ABSORBER), .406" I.D. X 1.25" O.D.	8
29	10194G1		RUBBER BUSHING.....	8
30	00532G6		HEX NUT, 3/8" - 24	4
31	10044G01		VINYL CAP.....	2

SEATING - CONVERTIBLE CARRIER





SEATING - CONVERTIBLE CARRIER

When ordering parts, please specify the model and serial number of the product.

* Indicates a component that is not available as an individual part.

*** Indicates consult Customer Service Department for additional information.

ITEM	PART NO.	1	2	3	4	5	DESCRIPTION	QTY.
1	***						FRONT SEAT BACK ASSEMBLY (INCLUDES ITEMS 2 - 7)..... 71751G03 OYSTER 71751G02 GREY 71751G04 TAN 71751G05 SPECIAL	1
2	***						VINYL SEAT BACK COVER 71753G03 OYSTER 71753G02 GREY 71753G04 TAN 71753G05 SPECIAL	1
3	*						FLAT STAPLE	A/R
4	71752G01						PLASTIC SEAT BACK COVER	1
5	645021						SEAT BACK BASE	1
6	01107G01						PAN HEAD TORX SCREW (SS), #8 X 5/8" LG	4
7	71754G01						FOAM PADDING (SEAT BACK)	1
8	71204G01						HEX HEAD BOLT, 1/4" - 20 X 7/8" LG.....	4
9	11027G1						LOCK NUT, 5/16" - 18	6
10	70113G01						ADJUSTABLE BUMPER	4
11	00560G1						FLAT WASHER, 3/8"	4
12								
13								
14								
15	70364G01						SPACER, 8.45" X 2"	2
16	625525						SEAT BACK SUPPORT	2
17	00427G2						HEX HEAD BOLT, 3/8" - 16 X 1" LG.....	4
18								
19	***						FRONT SEAT BOTTOM ASSEMBLY (INCLUDES ITEMS 20 - 32) 629269G0101 OYSTER 629269G0103 TAN 629269G0104 GREY 629269G0108 CUSTOM SOLID	1
20	615417						BUTTON HEAD TORX BOLT, M10 - 1.5 X 25MM LG	8
21	*						FLAT STAPLE (SS), 3/8".....	A/R
22	*						FLAT STAPLE	A/R
23	71012G01						VINYL TRIM (SEAT BOTTOM)	1

SEATING - CONVERTIBLE CARRIER

When ordering parts, please specify the model and serial number of the product.

* Indicates a component that is not available as an individual part.

*** Indicates consult Customer Service Department for additional information.

ITEM	PART NO.	1 2 3 4 5	DESCRIPTION	QTY.
24	***		VINYL SEAT BOTTOM COVER 71602G03 OYSTER 71602G02 GREY 71602G04 TAN 71602G05 CUSTOM SOLID	1
25	71603G02		FOAM PADDING (SEAT BOTTOM)	1
26	617645		HIP RESTRAINT (DRIVER SIDE)	1
27	617644		HIP RESTRAINT (PASSENGER SIDE)	1
28	17618G1		NYLON CLAMP (NOT ILLUSTRATED)	1
29	00720G08		PHILLIPS HEAD TAPPING SCREW, #12 - 14 X 1" LG.....	6
30	71610G01		SEAT HINGE	2
31	645492		SEAT BOTTOM (WOOD)	1
32	17074G1		SOILING SLAB.....	2
33				
34				
35				
36	***		REAR SEAT BACK ASSEMBLY (INCLUDES ITEMS 2 - 7)..... 71751G03 OYSTER 71751G02 GREY 71751G04 TAN 71751G05 SPECIAL	1
37				
38	625526		REAR SEAT SUPPORT WELDMENT	2
39	628906		HEX HEAD FLANGE BOLT, #10 - 24 X 3/4" LG.....	2
40	72917G01		BED LATCH ASSEMBLY	1
41	14390G10		LOCK NUT, #10 - 24	2
42	71204G01		HEX HEAD BOLT, 1/4" - 20 X 7/8" LG	12
43	00440G4		HEX HEAD BOLT, 5/16" - 18 X 2.5" LG	2
44	17838G1		NYLINER BUSHING, .5"	4
45	00559G8		FLAT WASHER, 5/16"	2
46	11098G6		LOCK NUT, 5/16" - 18.....	2
47				
48				
49				

SEATING - CONVERTIBLE CARRIER

When ordering parts, please specify the model and serial number of the product.

* Indicates a component that is not available as an individual part.

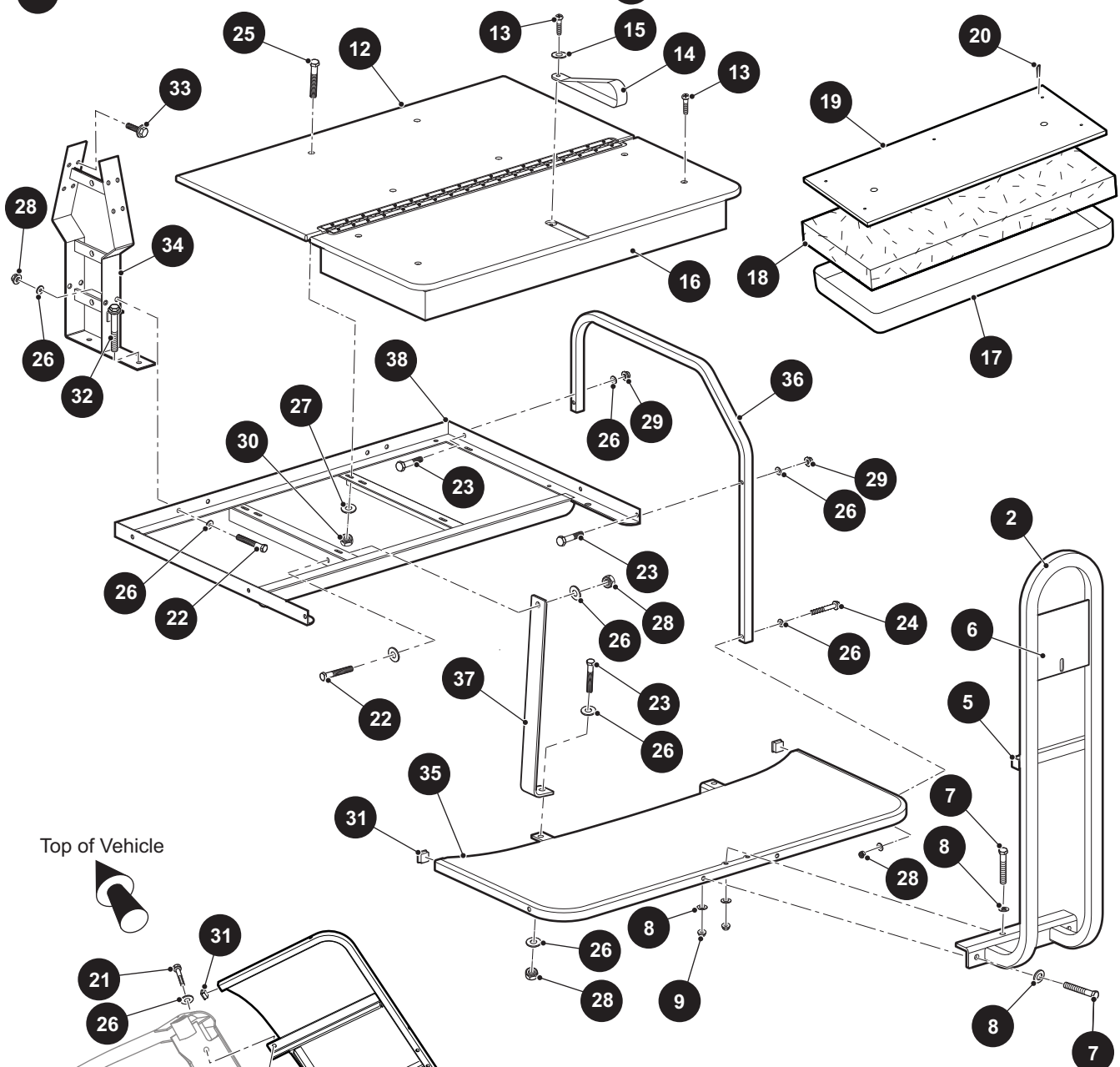
*** Indicates consult Customer Service Department for additional information.

ITEM	PART NO.	1	2	3	4	5	DESCRIPTION	QTY.
50	***						REAR SEAT BOTTOM ASSEMBLY (INCLUDES ITEMS 20 - 25 AND 51 - 59) 74139G03 OYSTER 74139G04 TAN 74139G02 GREY 74139G05 SPECIAL	1
51	71702G01						HIP RESTRAINT (DRIVER SIDE)	1
52	71701G01						HIP RESTRAINT (PASSENGER SIDE)	1
53	76417G01						SEAT BOTTOM (WOOD).....	1
54	00661G8						HEX HEAD BOLT, 1/4" - 20 X 1" LG	8
55	01110G01						FLAT WASHER, 1/4"	8
56	00664G7						LOCK WASHER, 1/4"	8
57	17618G1						NYLON CLAMP (NOT ILLUSTRATED)	1
58								
59	74140G01						VINYL TRIM (SEAT BOTTOM)	1
60								
61	657949						SOUND TREATMENT, SEAT BOTTOM (FOR FLEET).....	1
62	663426						RETAINER, SOUND TREATMENT (FOR FLEET).....	4
63	00720G08						PHILLIPS HEAD TAPPING SCREW, #12 - 14 X 1" LG (FOR FLEET)	4

SEATING - CONVERTIBLE CARRIER

11 FLIP FLOP SEAT BOTTOM includes items 12 - 16

16 SEAT BOTTOM ASSEMBLY includes items 17 - 20



1 HANDRAIL KIT, FLIP FLOP SEAT includes items 2 - 9

6

 MAX 250 lbs. 110 kg	 MAX 14° / 25%
 MAX 4 in. 10 cm	

610231

SEATING - CONVERTIBLE CARRIER

When ordering parts, please specify the model and serial number of the product.

* Indicates a component that is not available as an individual part.

*** Indicates consult Customer Service Department for additional information.

ITEM	PART NO.	1 2 3 4 5	DESCRIPTION	QTY.
1	634184		HANDRAIL KIT, FLIP-FLOP SEAT (INCLUDES ITEMS 2 - 9)	1
2	634185		FOOTREST HANDLE WELDMENT	1
3				
4				
5	19859G1		SQUARE CAP TUBE, 3/4"	2
6	610631		DECAL.....	1
7	00427G8		HEX HEAD BOLT, 3/8" - 16 X 2" LG.....	4
8	614221		FLAT WASHER, 3/8"	8
9	11098G5		LOCK NUT (PLASTIC), 3/8" - 16.....	4
10				
11	***		FLIP FLOP SEAT BOTTOM (INCLUDES ITEMS 12 - 16)	1
			628058G01 OYSTER	
			628058G03 TAN	
			628058G04 GREY	
12	634190		DECK BOARD ASSEMBLY	1
13	16705G1		TRUSS HEAD PHILLIPS SCREW (SS), 1/4" - 20 X 1" LG	5
14	617402		SEAT STRAP.....	1
15	00559G7		FLAT WASHER, 1/4"	1
16	***		SEAT BOTTOM ASSEMBLY (INCLUDES ITEMS 17 - 20).....	1
			632837G01 OYSTER	
			632837G03 TAN	
			632837G04 GREY	
17	***		VINYL SEAT BOTTOM	1
			615646 OYSTER	
			615647 TAN	
			617892 GREY	
18	617401		FOAM PADDING (SEAT BOTTOM).....	1
19	617400		SEAT BOTTOM (WOOD).....	1
20	*		FLAT STAPLE (SS), 3/8".....	A/R
21	00427G6		HEX HEAD BOLT, 3/8" - 16 X 1.75" LG	2
22	00427G2		HEX HEAD BOLT, 3/8" - 16 X 1.25" LG	4
23	00427G4		HEX HEAD BOLT, 3/8" - 16 X 1.5" LG	6
24	00428G8		HEX HEAD BOLT, 3/8" - 16 X 3.25" LG	2
25	16705G9		TRUSS HEAD PHILLIPS SCREW (SS), 1/4" - 20 X 1.25" LG.....	4

SEATING - CONVERTIBLE CARRIER

When ordering parts, please specify the model and serial number of the product.

* Indicates a component that is not available as an individual part.

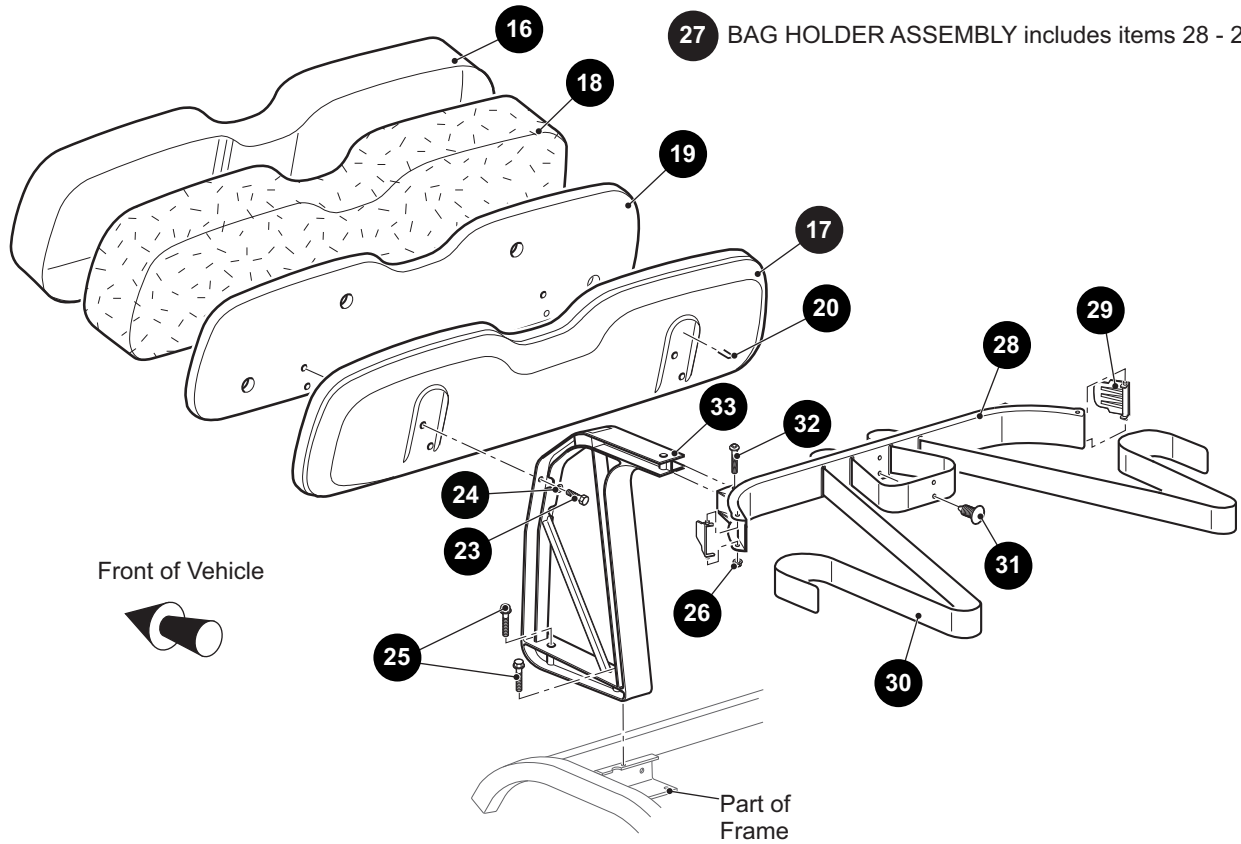
*** Indicates consult Customer Service Department for additional information.

ITEM	PART NO.	1 2 3 4 5	DESCRIPTION	QTY.
26	614221		FLAT WASHER, 3/8"	24
27	00559G7		FLAT WASHER, 1/4"	4
28	11098G5		LOCK NUT (PLASTIC), 3/8" - 16.....	10
29	11027G5		FLANGED LOCK NUT, 3/8" - 16	4
30	14390G4		LOCK NUT (PLASTIC), 1/4" - 20.....	4
31	19853G1		SQUARE CAP TUBE, 1"	2
32	01006G01		HEX HEAD BOLT, 3/8" - 16 X 1.25" LG.....	4
33	71204G01		HEX HEAD BOLT, 1/4" - 20 X 7/8" LG.....	8
34	634178		SEAT BACK SUPPORT	1
35	634179		FOOTREST WELDMENT.....	1
36	634175		ARMREST (REAR SEAT).....	2
37	634174		SEAT FRAME SUPPORT.....	2
38	634180		SEAT FRAME WELDMENT	1

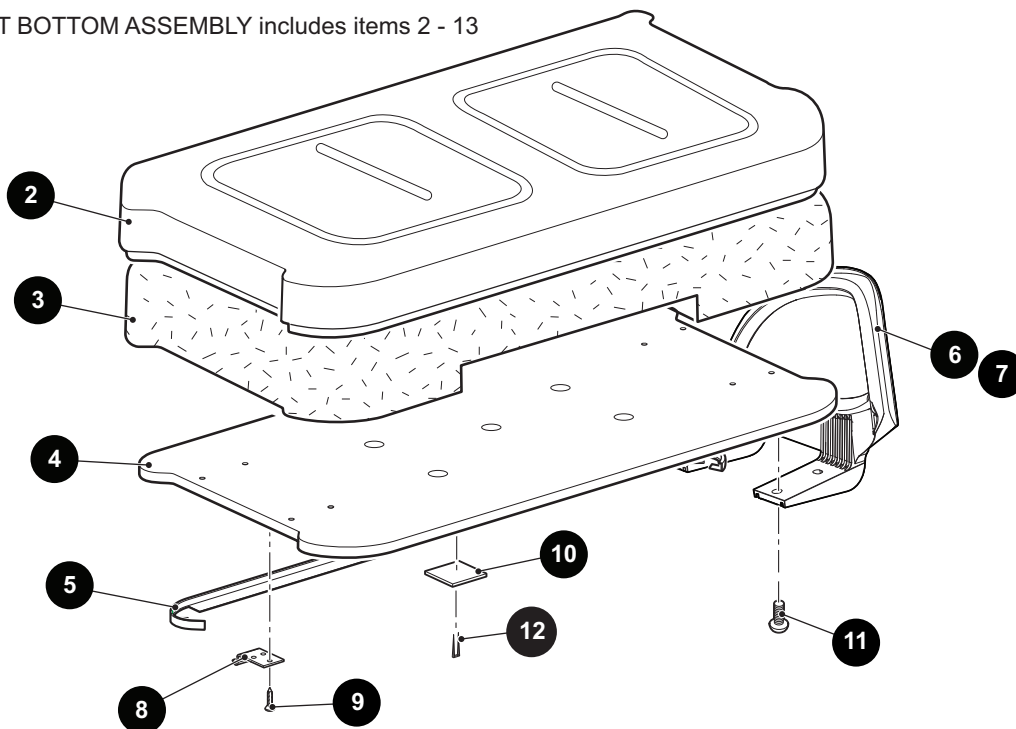
SEATING AND BAG HOLDER - GOLF CAR

15 SEAT BACK ASSEMBLY includes items 16 - 21

27 BAG HOLDER ASSEMBLY includes items 28 - 29



1 SEAT BOTTOM ASSEMBLY includes items 2 - 13



SEATING AND BAG HOLDER - GOLF CAR

When ordering parts, please specify the model and serial number of the product.

* Indicates a component that is not available as an individual part.

*** Indicates consult Customer Service Department for additional information.

ITEM	PART NO.	1 2 3 4 5	DESCRIPTION	QTY.
1	***		SEAT BOTTOM ASSEMBLY (INCLUDES ITEMS 2 - 13) 629269G0101 OYSTER 629269G0103 TAN 629269G0104 GREY 629269G0108 CUSTOM SOLID	1
2	***		SEAT BOTTOM COVER 71602G03 OYSTER 71602G02 GREY 71602G04 TAN 71602G05 CUSTOM SOLID	1
3	71603G02		FOAM PADDING (SEAT BOTTOM)	1
4	645492		SEAT BOTTOM	1
5	71012G01		VINYL TRIM (SEAT BOTTOM)	1
6	617644		HIP RESTRAINT (PASSENGER SIDE)	1
7	617645		HIP RESTRAINT (DRIVER SIDE)	1
8	71610G01		SEAT HINGE	2
9	00720G08		PHILLIPS HEAD TAPPING SCREW, #12 -14 X 1" LG.....	6
10	17074G1		SOILING SLAB	2
11	615417		BUTTON HEAD TORX BOLT, M10 - 1.5 X 25MM LG	8
12	*		FLAT STAPLE.....	A/R
13	17618G1		NYLON CLAMP (NOT ILLUSTRATED).....	1
14				
15	***		SEAT BACK ASSEMBLY (INCLUDES ITEMS 16 - 21)..... 625229G0101 OYSTER 625229G0103 TAN 625229G0104 GREY 625229G0108 CUSTOM SOLID	1
16	***		VINYL SEAT BACK COVER 625234G01 OYSTER 625234G03 TAN 625234G04 GREY 625234G08 CUSTOM SOLID	1
17	625239		PLASTIC SEAT BACK COVER	1
18	625233		FOAM PADDING (SEAT BACK)	1
19	644266		SEAT BACK BASE	1
20	*		FLAT STAPLE.....	A/R
21	17618G1		NYLON CLAMP (NOT ILLUSTRATED).....	1

SEATING AND BAG HOLDER - GOLF CAR

When ordering parts, please specify the model and serial number of the product.

* Indicates a component that is not available as an individual part.

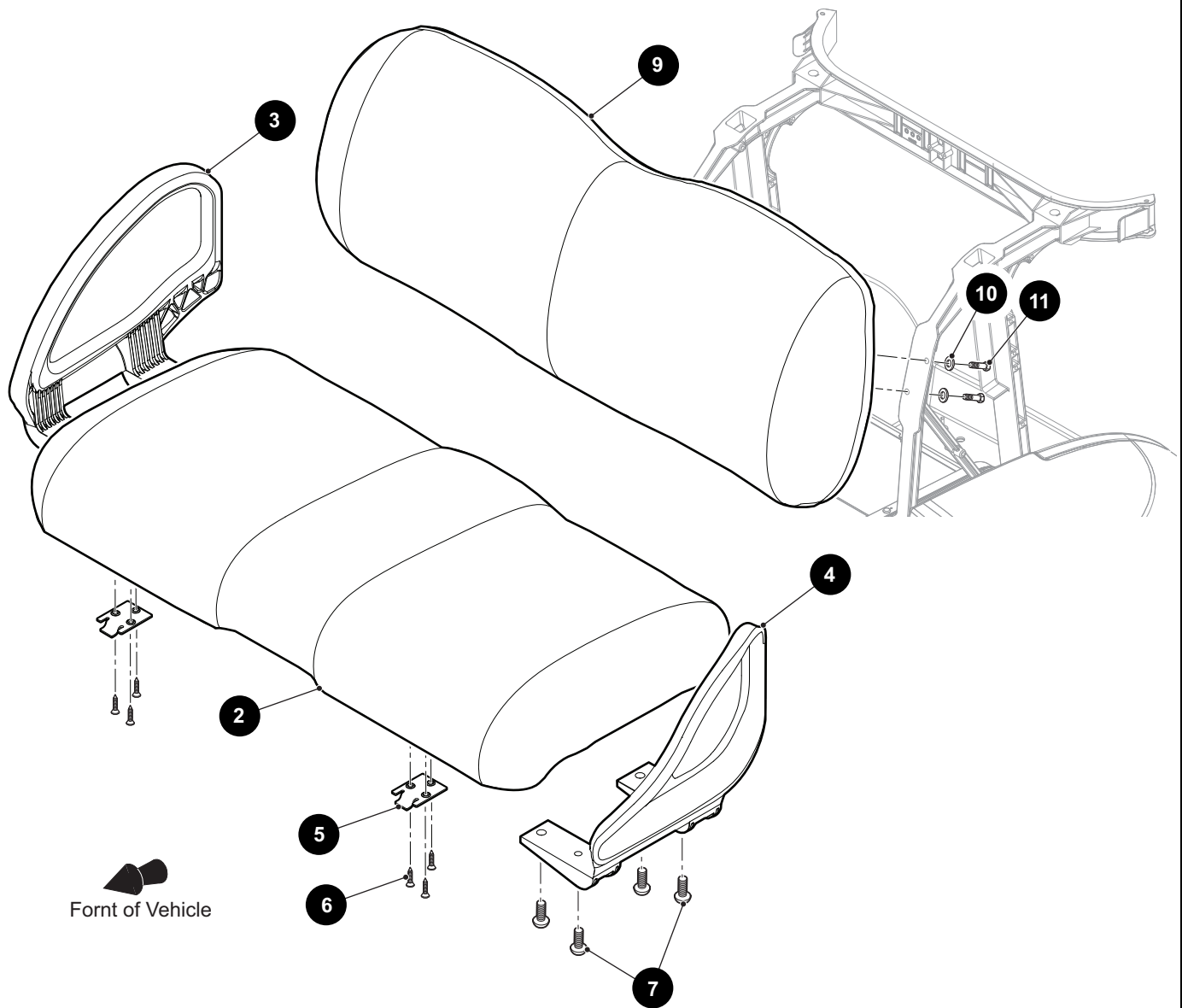
*** Indicates consult Customer Service Department for additional information.

ITEM	PART NO.	1	2	3	4	5	DESCRIPTION	QTY.
22								
23	605056						HEX HEAD BOLT (SS), 1/4" - 20 X 1" LG	4
24	00664G7						LOCK WASHER (SS), 1/4"	4
25	01075G01						HEX HEAD BOLT, 3/8" - 16 X 2 1/2" LG.....	4
26	11027G2						LOCK NUT, 1/4" - 20	2
27	618206						BAG HOLDER ASSEMBLY (INCLUDES ITEMS 28 - 29)	1
28	610642						BAG HOLDER BRACKET.....	1
29	608051						BAG RETAINER CLAMP	2
30	71853G01						BAG RETAINER STRAP	1
31	16816G1						RATCHET FASTENER, 1/4" X 9/16" LG	2
32	01102G01						CARRIAGE BOLT (SS), 1/4" - 20 X 1 1/2" LG.....	2
33	71811G03						SEAT SUPPORT BRACKET	2

SEATING AND BAG HOLDER - GOLF CAR

FOR FLEET AND FREEDOM VEHICLES WITH PREMIUM SEAT OPTION

1 SEAT BOTTOM ASSEMBLY includes items 2 - 7



SEATING AND BAG HOLDER - GOLF CAR

When ordering parts, please specify the model and serial number of the product.

* Indicates a component that is not available as an individual part.

*** Indicates consult Customer Service Department for additional information.

ITEM	PART NO.	1 2 3 4 5	DESCRIPTION	QTY.
1	***		SEAT BOTTOM ASSEMBLY (INCLUDES ITEMS 2 - 7) 629269G1917 LIGHT BEIGE 629269G1918 MUSHROOM	1
2	***		SEAT BOTTOM COVER 654085G1917 LIGHT BEIGE 654085G1918 MUSHROOM	1
3	617644		HIP RESTRAINT (PASSENGER SIDE)	1
4	617645		HIP RESTRAINT (DRIVER SIDE)	1
5	71610G01		SEAT HINGE	2
6	00720G08		PHILLIPS HEAD TAPPING SCREW, #12 -14 X 1" LG.....	6
7	615417		BUTTON HEAD TORX BOLT, M10 - 1.5 X 25MM LG	8
8				
9	***		SEAT BACK ASSEMBLY 654084G1917 LIGHT BEIGE 654084G1918 MUSHROOM	1
10	00664G7		LOCK WASHER (SS), 1/4"	4
11	605056		HEX HEAD BOLT (SS), 1/4" - 20 X 1" LG	4

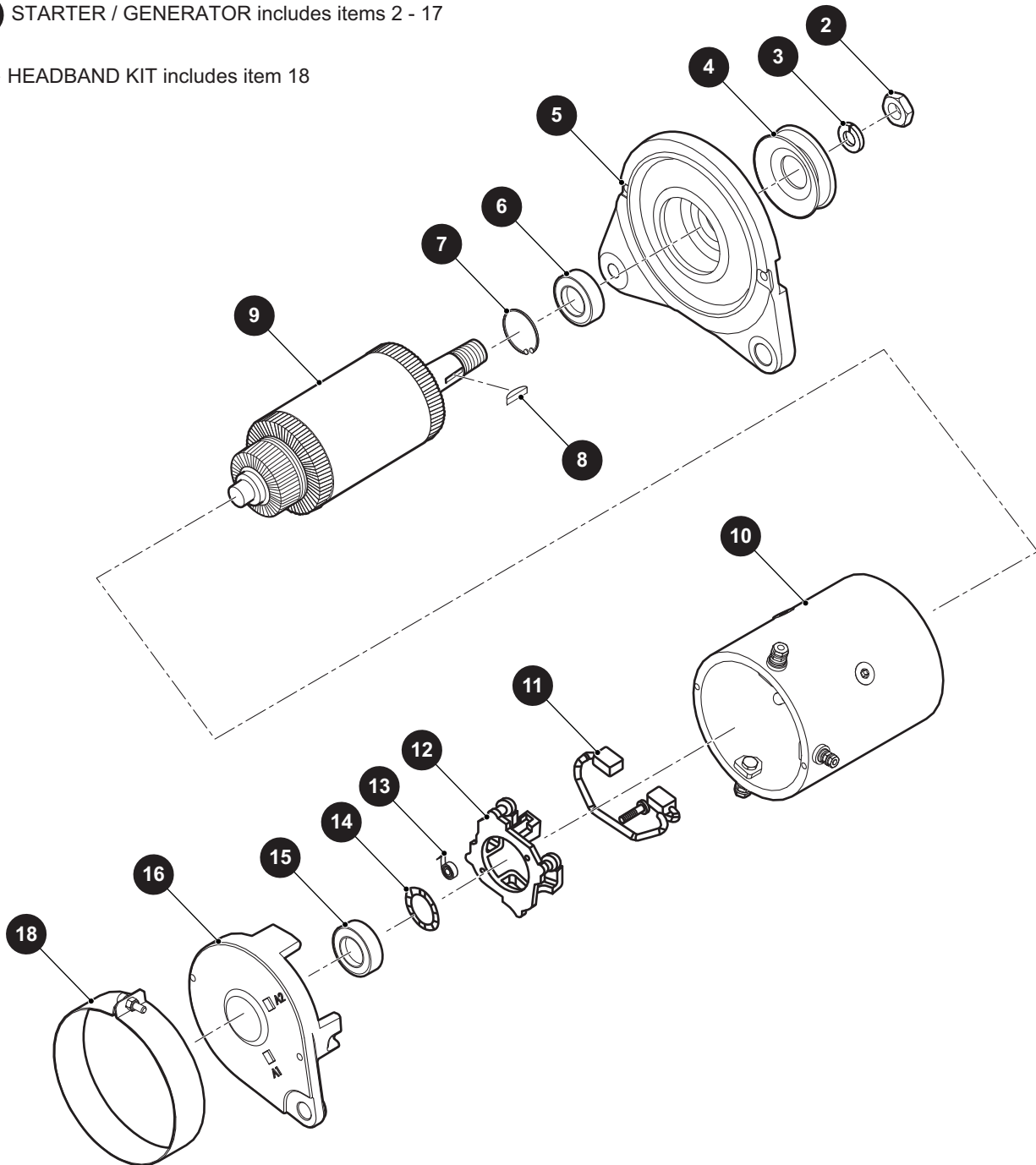
Notes:

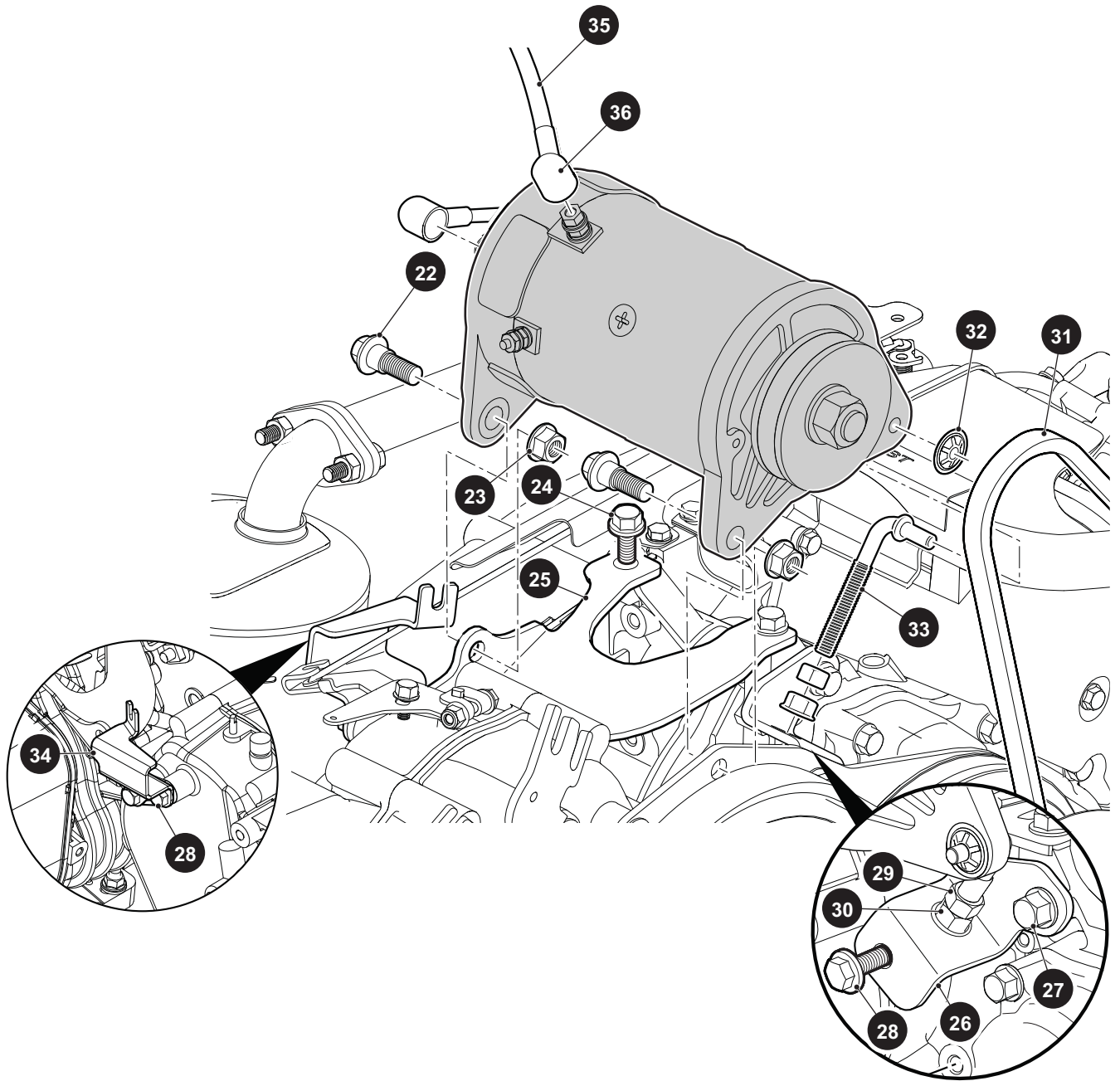
Large grid area for notes.

STARTER / GENERATOR

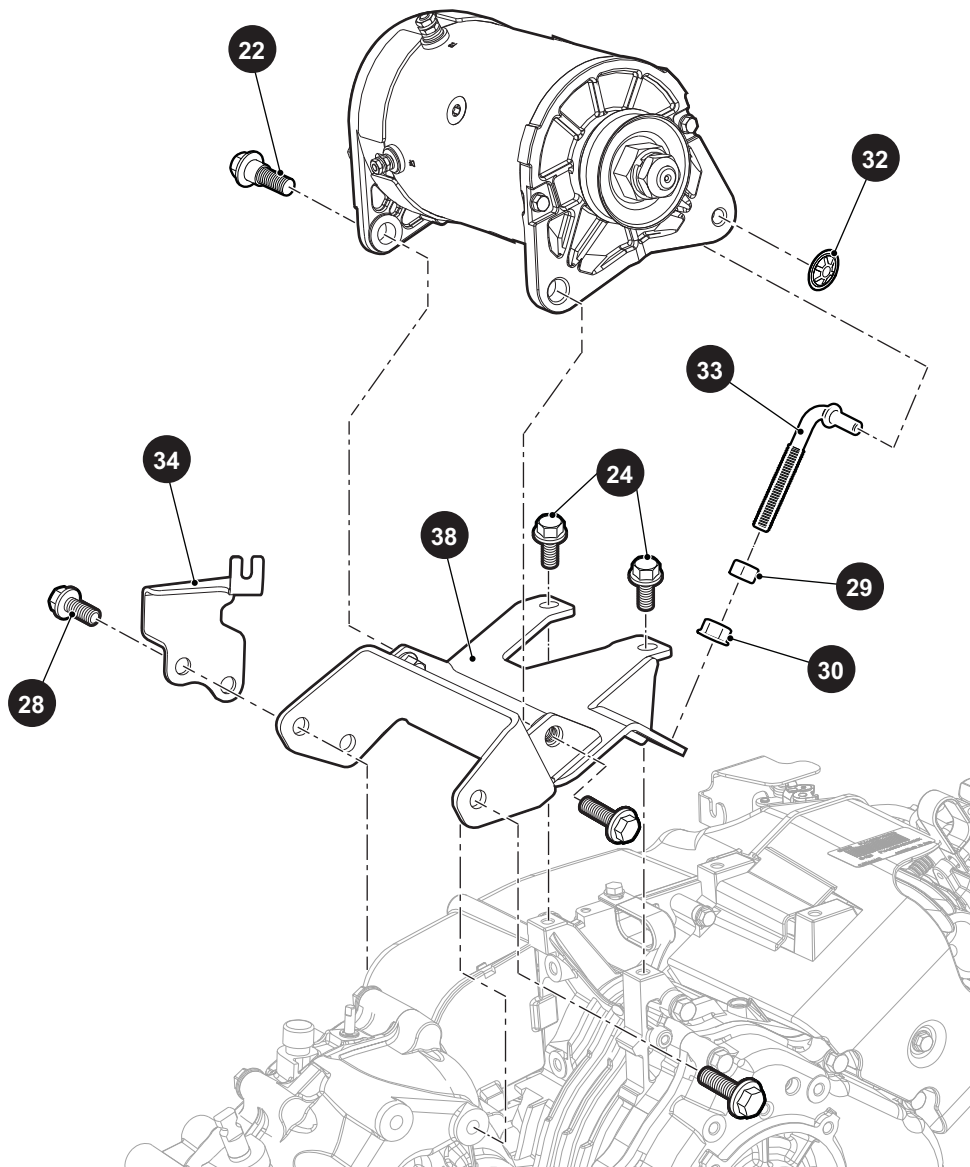
1 STARTER / GENERATOR includes items 2 - 17

17 HEADBAND KIT includes item 18





FOR VEHICLES MANUFACTURED FROM APRIL 2014



STARTER / GENERATOR

When ordering parts, please specify the model and serial number of the product.

* Indicates a component that is not available as an individual part.

*** Indicates consult Customer Service Department for additional information.

ITEM	PART NO.	1 2 3 4 5	DESCRIPTION	QTY.
1	660379		STARTER / GENERATOR (INCLUDES ITEMS 2 - 17)	1
2	612029		HEX NUT	1
3	612030		LOCK WASHER	1
4	625716		PULLEY, 2.5" O.D.	1
5	654715		DRIVE END HEAD	1
6	612033		BEARING	1
7	612034		RETAINING RING	1
8	612035		WOODRUFF KEY	1
9	612036		ARMATURE ASSEMBLY	1
10	654716		FRAME AND FIELD ASSEMBLY	1
11	612038		BRUSH LEAD AND TERMINAL PACKAGE	1
12	654717		BRUSH BOX ASSEMBLY	1
13	656659		BRUSH SPRING	4
14	612043		WAVY WASHER	1
15	612044		BEARING	1
16	612045		COMMUTATOR END HEAD	1
17	658172		HEADBAND KIT (INCLUDES ITEM 18)	1
18	654718		HEADBAND	1
19				
20				
21				
22	606235		HEX HEAD SHOULDER BOLT, M10 - 1.25 X 20MM LG.	2
23	606279		HEX NUT, M10 - 1.25	2
24	606261		HEX HEAD BOLT, M8 - 1.25 X 20MM LG.	2
25	602141		STARTER / GENERATOR BRACKET	1
26	602145		TENSIONER BRACKET	1
27	606261		HEX HEAD BOLT, M8 - 1.25 X 20MM LG.	1
28	606256		HEX HEAD BOLT, M10 - 1.25 X 25MM LG.	10
29	606255		HEX JAM NUT, M10 - 1.25	1
30	606274		HEX FLANGE NUT, M10 - 1.25	1
31	630587		STARTER / GENERATOR BELT	1

STARTER / GENERATOR

When ordering parts, please specify the model and serial number of the product.

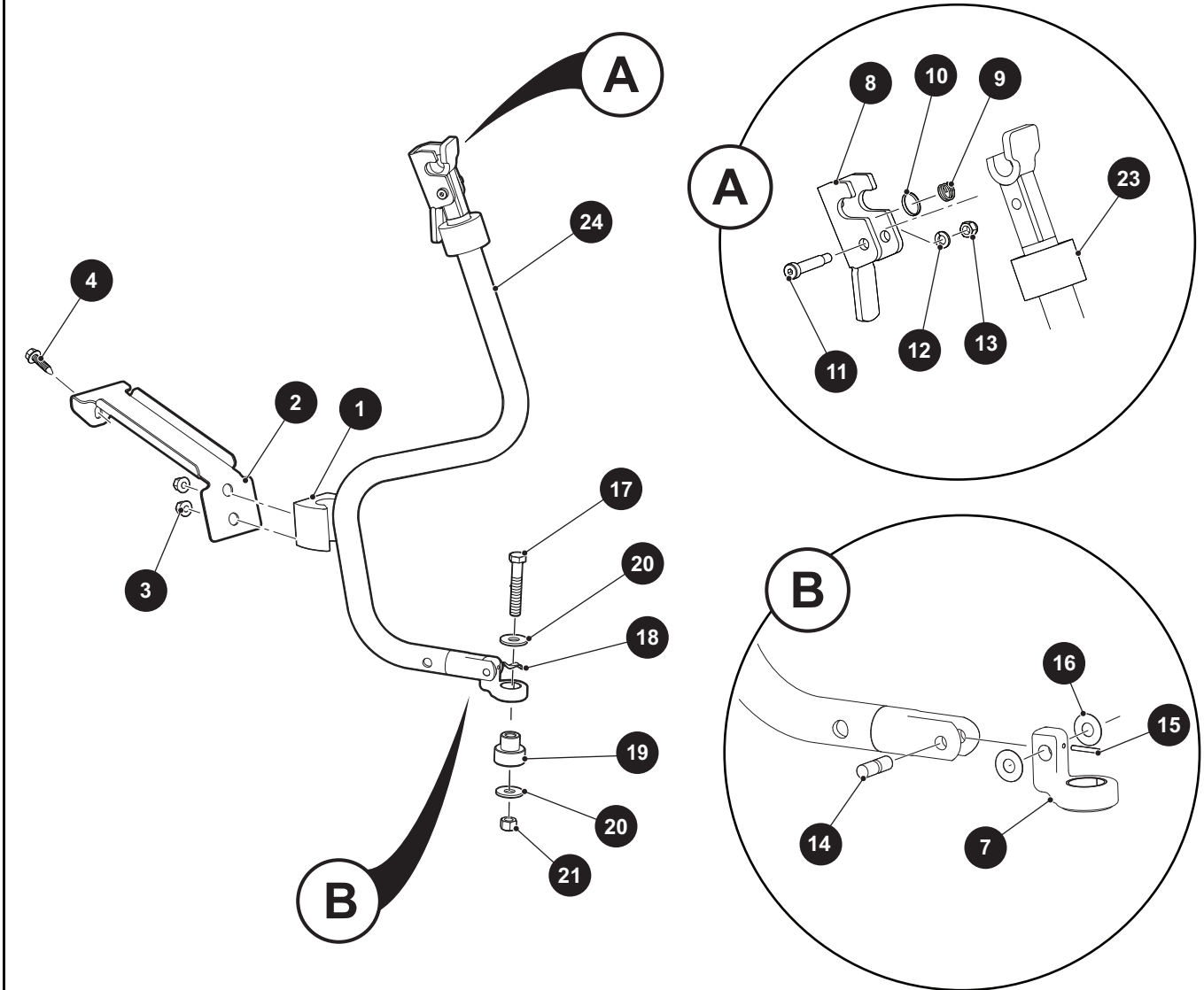
* Indicates a component that is not available as an individual part.

*** Indicates consult Customer Service Department for additional information.

ITEM	PART NO.	1 2 3 4 5	DESCRIPTION	QTY.
32	12064G6		PUSH NUT	1
33	629763		TENSIONER BOLT, M10 X 1.25 X 60MM LG	1
34	603884		CABLE GUIDE BRACKET	1
35	607103		WIRE ASSEMBLY, 6 AWG, 42" LG	1
36	25682G01		RUBBER BOOT	3
37				
38	631972		STARTER/GENERATOR SUPPORT BRACKET (FOR VEHICLES MANUFACTURED FROM APRIL 2014)	1

TOW BAR - PERMANENT

6 TOW BAR ASSEMBLY includes items 7 - 24



TOW BAR - PERMANENT

When ordering parts, please specify the model and serial number of the product.

* Indicates a component that is not available as an individual part.

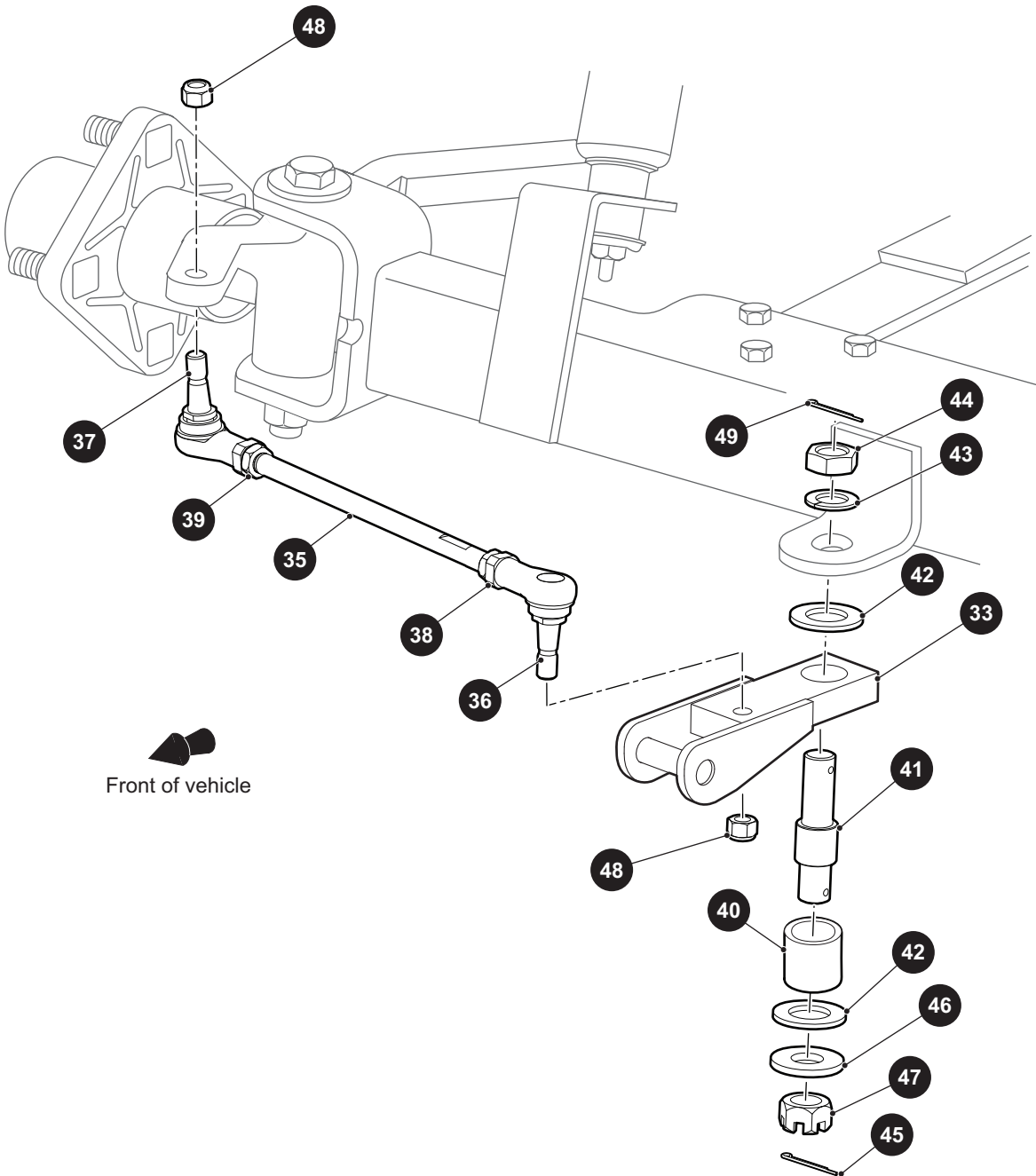
*** Indicates consult Customer Service Department for additional information.

ITEM	PART NO.	1 2 3 4 5	DESCRIPTION	QTY.
1	603020		TOW BAR RETAINER	1
2	637479		TOW BAR RETAINER BRACKET.....	1
3	600525		LOCK NUT, M10 - 1.50	2
4	00715G2		HEX HEAD BOLT, 5/16" - 18 X .875" LG	1
5				
6	625813		TOW BAR ASSEMBLY (TOWING VEHICLE) (INCLUDES ITEMS 7 - 24)	1
7	625458		TOW BAR SWIVEL	1
8	617147		TOW BAR LATCH	1
9	20852G2		COMPRESSION SPRING (SS).....	1
10	25661G02		CUP WASHER, .84" O.D X .20" I.D.	1
11	13005G4		SOCKET HEAD BOLT, 5/16" - 18 X .406" LG	1
12	00565G8		LOCK WASHER, 5/16"	1
13	00520G3		ACORN NUT, 5/16" - 18	1
14	75360G01		PIVOT PIN.....	1
15	608793		SPIROL PIN, 3MM X 22MM	1
16	75340G01		FLAT WASHER, M10.....	2
17	00410G8		HEX HEAD BOLT, 1/2" - 20 X 3" LG.....	1
18	75339G01		SPRING WASHER	1
19	625582		TOW BAR PIVOT	1
20	00571G5		FLAT WASHER, 5/16"	2
21	11098G8		LOCK NUT, 1 3/8" - 12	1
22	625819		WARNING DECAL (NOT ILLUSTRATED)	1
23	75362G01		LATCH STOP	1
24	625814		TOW BAR WELDMENT	1
25				
26				
27				
28				
29				
30				
31				

TOW BAR - PERMANENT

32 TOW BAR HITCH ASSEMBLY (TOWED VEHICLE) includes items 33 - 48

34 TIE ROD ASSEMBLY includes items 35 - 39



TOW BAR - PERMANENT

When ordering parts, please specify the model and serial number of the product.

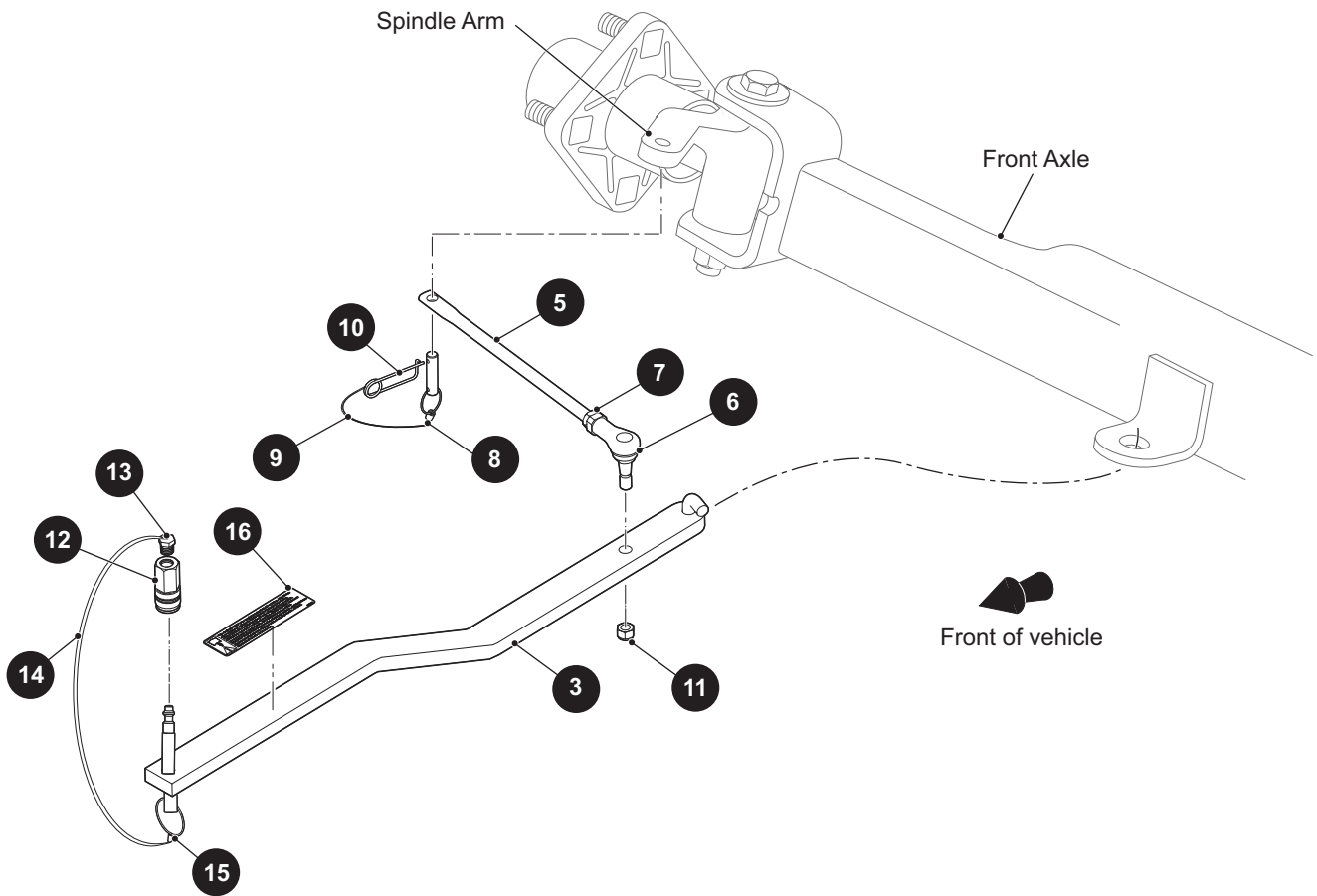
* Indicates a component that is not available as an individual part.

*** Indicates consult Customer Service Department for additional information.

ITEM	PART NO.	1 2 3 4 5	DESCRIPTION	QTY.
32	625812		TOW BAR HITCH ASSEMBLY (TOWED VEHICLE) (INCLUDES ITEMS 33 - 48)	1
33	640431		TOW BAR HITCH	1
34	625811		TIE ROD ASSEMBLY (INCLUDES ITEMS 35 - 39)	1
35	625646		TIE ROD LINK	1
36	70902G01		TIE ROD END (LEFT HAND)	1
37	70902G02		TIE ROD END (RIGHT HAND)	1
38	01069G01		JAM NUT, M12 X 1.25" - 05 (DRIVER SIDE)	1
39	01069G02		JAM NUT, M12 X 1.25" - 05 (PASSENGER SIDE)	1
40	75307G01		BEARING	1
41	75292G01		PIVOT BOLT	1
42	75309G01		THRUST BEARING	2
43	00566G6		SPRING LOCK WASHER, 3/8"	1
44	00533G8		HEX NUT, 1/2" - 13	1
45	10387G1		COTTER PIN, 0.125" X 1.50"	1
46	75342G01		FLAT WASHER, 1.75" O.D X 0.781" I.D.	1
47	00518G8		CASTLE NUT, 3/4" - 16	1
48	00734G1		LOCK NUT, 7/16" - 14	2
49	10387G1		COTTER PIN, 0.125" X 1.50"	1

TOW BAR - CASUAL

- 1 CASUAL TOW BAR KIT includes item 2
- 2 CASUAL TOW BAR ASSEMBLY includes items 3 - 16
- 4 TIE ROD ASSEMBLY includes items 5 - 7



TOW BAR - CASUAL

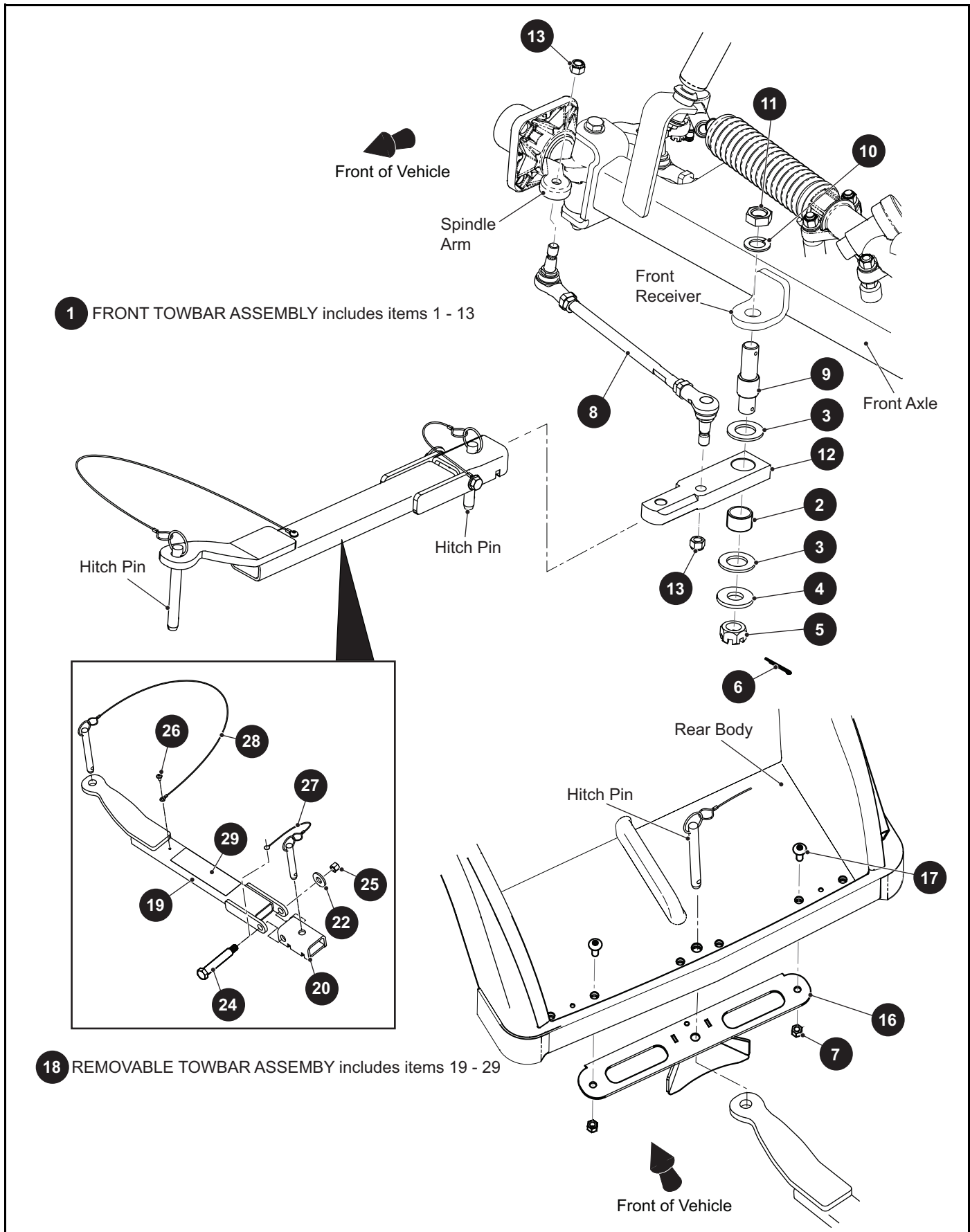
When ordering parts, please specify the model and serial number of the product.

* Indicates a component that is not available as an individual part.

*** Indicates consult Customer Service Department for additional information.

ITEM	PART NO.	1 2 3 4 5	DESCRIPTION	QTY.
1	625284		CASUAL TOW BAR KIT (INCLUDES ITEM 2)	1
2	625282		CASUAL TOW BAR ASSEMBLY (INCLUDES ITEMS 3 -16)	1
3	625327		TOW BAR WELDMENT	1
4	625328		TIE ROD ASSEMBLY (INCLUDES ITEMS 5 - 7)	1
5	625329		TIE ROD WELDMENT	1
6	70902G01		TIE ROD END (DRIVER SIDE)	1
7	01069G01		JAM NUT, M12 - 1.25	1
8	16783G1		FERRULE	1
9	14869G5		WIRE ROPE, 6" LG	1
10	75068G01		SAFETY PIN	1
11	00734G1		LOCK NUT, 7/16" - 14	1
12	75060G01		COUPLING	1
13	75035G02		HEX HEAD PLUG WITH HOLE, 1/4" - 18	1
14	14869G3		WIRE ROPE, 20" LG	1
15	75067G01		FERRULE	1
16	625820		WARNING DECAL	1

TOW BAR



1 FRONT TOWBAR ASSEMBLY includes items 1 - 13

18 REMOVABLE TOWBAR ASSEMBLY includes items 19 - 29

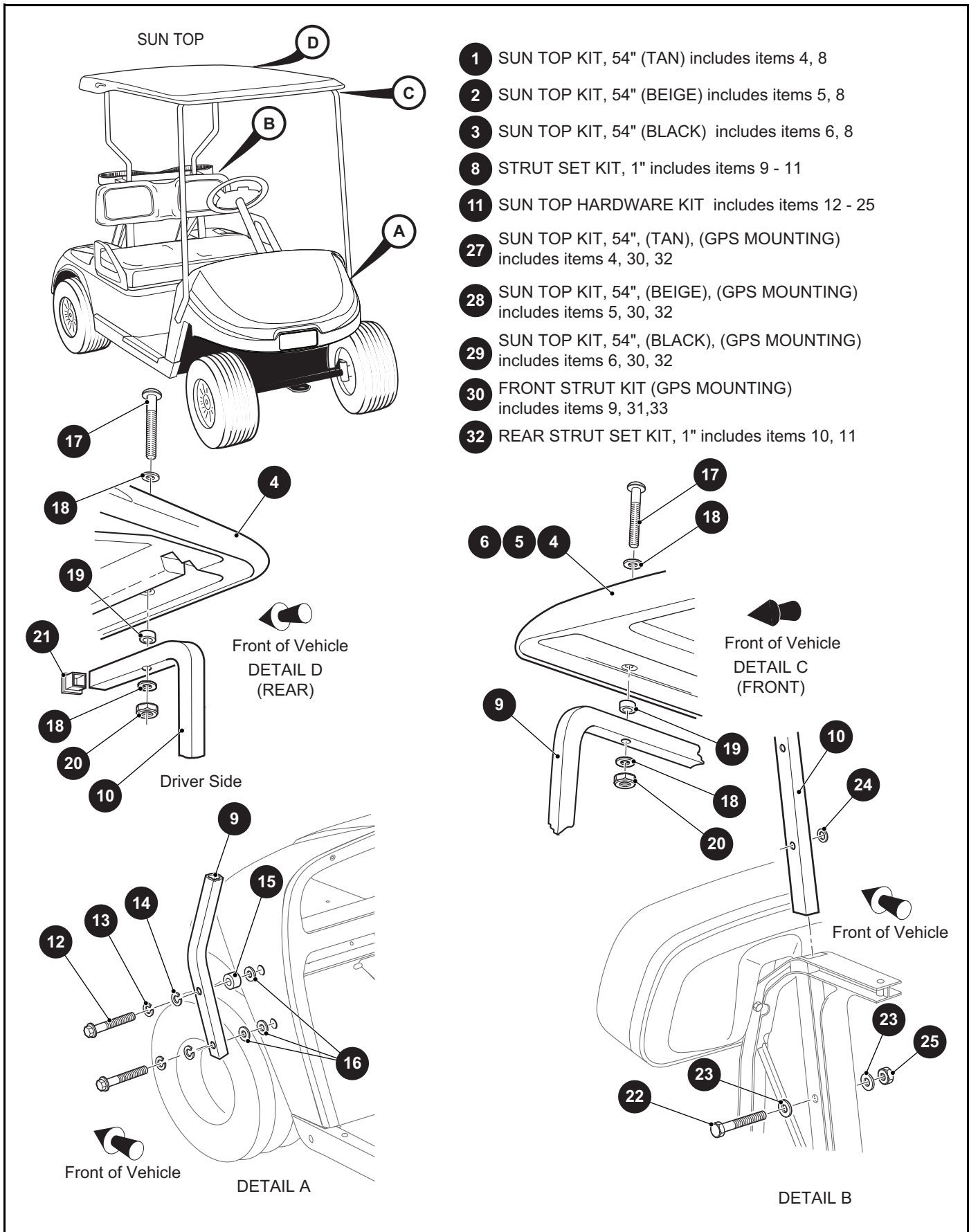
When ordering parts, please specify the model and serial number of the product.

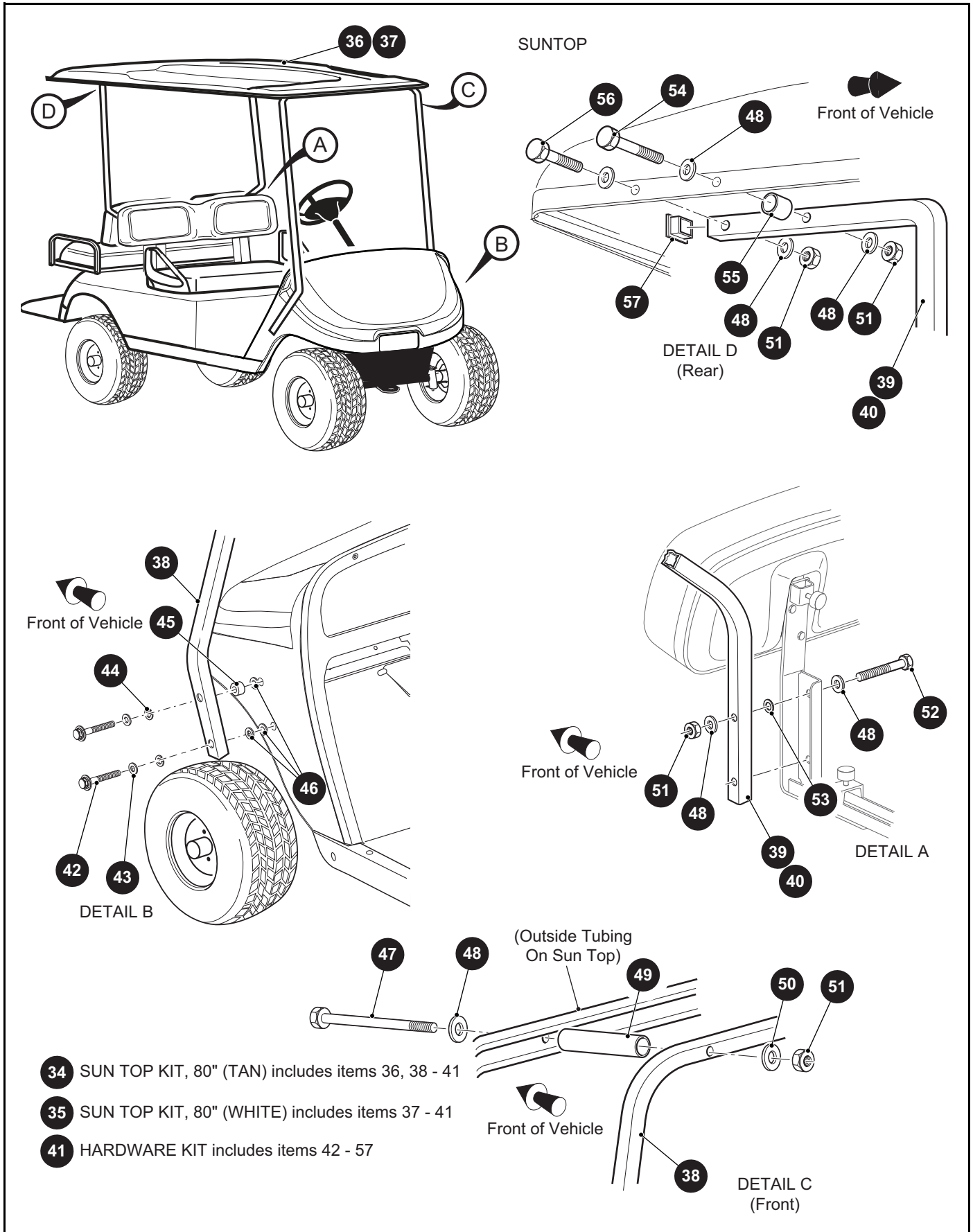
* Indicates a component that is not available as an individual part.

*** Indicates consult Customer Service Department for additional information.

ITEM	PART NO.	1 2 3 4 5	DESCRIPTION	QTY.
1	637319		FRONT TOWBAR ASSEMBLY (INCLUDES ITEMS 1 - 13)	1
2	75307G01		BEARING	1
3	75309G01		THRUST BEARING	2
4	75342G01		FLAT WASHER, 1.7" O.D. X .781 I.D.	1
5	00518G8		CASTLE NUT, 3/4" - 16	1
6	10387G1		COTTER PIN, .125" X 1.50" LG	1
7	11098G5		LOCK NUT, 3/8" - 16	2
8	625811		TIE ROD ASSEMBLY	1
9	75292G01		PIVOT BOLT, 3/4" - 16 X 3.71" LG	1
10	00566G6		LOCK WASHER, 3/4"	1
11	00533G8		HEX NUT, 1/2" - 13	1
12	635632		FRONT PIVOT BAR	1
13	00734G1		LOCK NUT, 7/16" - 14	2
14	31539G1		NYLON CLAMP (NOT ILLUSTRATED)	2
15				
16	635620		REAR TOWBAR RECEIVER	1
17	73653G01		TRUSS HEAD TORX SCREW, 3/8" - 16 X 1.5" LG	2
18	635736		REMOVABLE TOWBAR ASSEMBY (INCLUDES ITEMS 19 - 29)	1
19	635428		TOWBAR TONGUE WELDMENT	1
20	635461		TOWBAR COUPLING WELDMENT	1
21				
22	00571G5		FLAT WASHER (SS), 1/4"	1
23				
24	14158G1		SHOULDER BOLT, 3/8" - 16 X 2.75" LG	1
25	11098G5		LOCK NUT, 3/8" - 16	1
26	637563		SELF TAPPING SCREW, M4 - 1 X 14/12MM LG	1
27	649863		HITCH PIN ASSEMBLY (SHORT)	1
28	641171		HITCH PIN ASSEMBLY (LONG)	1
29	635906		TOWBAR WARNING LABEL	1

WEATHER PROTECTION





WEATHER PROTECTION

When ordering parts, please specify the model and serial number of the product.

* Indicates a component that is not available as an individual part.

*** Indicates consult Customer Service Department for additional information.

ITEM	PART NO.	1 2 3 4 5	DESCRIPTION	QTY.
1	625299G01		SUN TOP KIT, 54" (TAN) (INCLUDES ITEMS 4, 8)	1
2	625299G02		SUN TOP KIT, 54" (BEIGE) (INCLUDES ITEMS 5, 8)	1
3	625299G03		SUN TOP KIT, 54" (BLACK) (INCLUDES ITEMS 6, 8).....	1
4	625290		SUN TOP (TAN)	1
5	625291		SUN TOP (BEIGE)	1
6	625292		SUN TOP (BLACK)	1
7				
8	635005		STRUT SET KIT, 1" (INCLUDES ITEM 9 - 11).....	1
9	625294G01		FRONT STRUT	1
10	75046G01		REAR STRUT	2
11	625296		SUN TOP HARDWARE KIT (INCLUDES ITEMS 12 - 25).....	1
12	*		HEX HEAD BOLT, 5/16" - 18 X 2 1/4" LG	4
13	*		FLAT WASHER, 5/16"	4
14	*		LOCK WASHER, 5/16"	4
15	*		SPACER, .328" I.D. X .75" O.D. X 0.5" LG	2
16	*		FLAT WASHER, 5/16"	6
17	*		HEX HEAD BOLT, 1/4" - 20 X 2 1/2" LG	4
18	*		FLAT WASHER (SS), 1/4"	8
19	*		SPACER (PLASTIC), 0.28" I.D. X .56" O.D. X 0.74" LG	4
20	*		LOCK NUT (SS), 1/4" - 20	4
21	*		END CAP, 1" SQ	2
22	*		HEX HEAD BOLT (SS), 5/16" - 18 X 1 3/4" LG.....	4
23	*		FLAT WASHER (SS), 5/16"	8
24	*		TEFLON WASHER, 5/16"	4
25	*		LOCK NUT (SS), 5/16" - 18	4
26				
27	625299G04		SUN TOP KIT, 54", (TAN), (GPS MOUNTING) (INCLUDES ITEMS 4, 30, 32)	1
28	625299G05		SUN TOP KIT, 54", (BEIGE), (GPS MOUNTING) (INCLUDES ITEMS 5, 30, 32)	1
29	625299G06		SUN TOP KIT, 54", (BLACK), (GPS MOUNTING) (INCLUDES ITEMS 6, 30, 32)	1

WEATHER PROTECTION

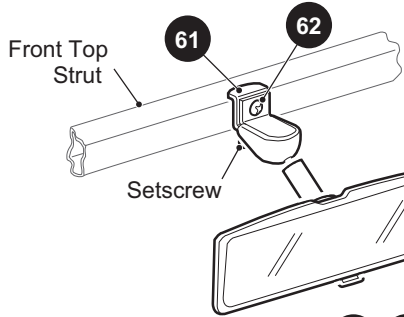
When ordering parts, please specify the model and serial number of the product.

* Indicates a component that is not available as an individual part.

*** Indicates consult Customer Service Department for additional information.

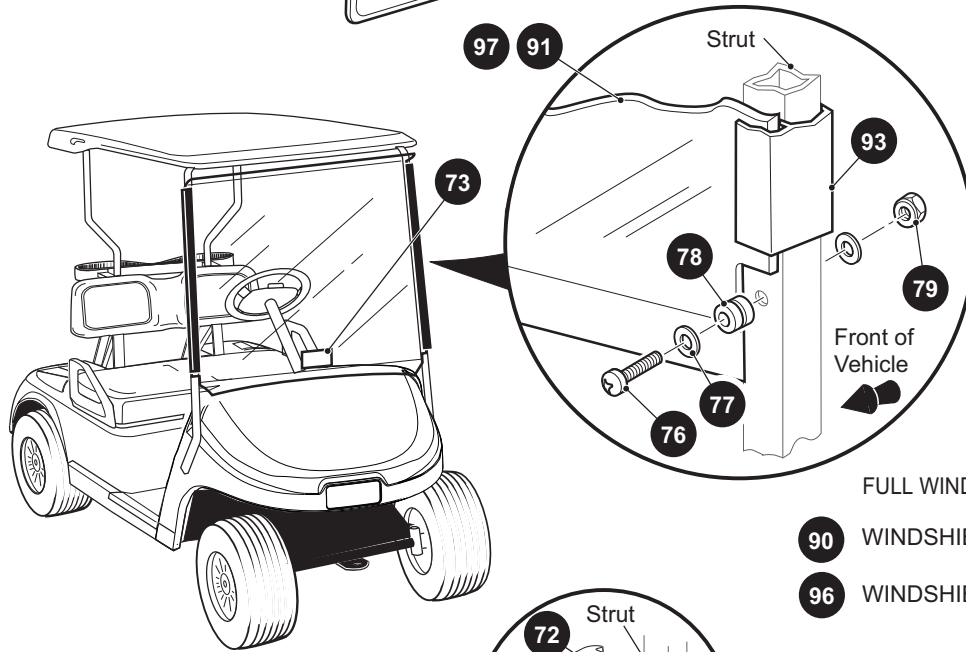
ITEM	PART NO.	1 2 3 4 5	DESCRIPTION	QTY.
30	647662		FRONT STRUT KIT (GPS MOUNTING) (INCLUDES ITEMS 9, 31, 33)..	1
31	643882G04		GPS MOUNTING SYSTEM (NOT ILLUSTRATED)	1
32	647636		REAR STRUT SET KIT, 1" (INCLUDES ITEMS 10, 11)	1
33	664522G04		GPS MOUNTING SYSTEM (NOT ILLUSTRATED)	1
34	634553G01		SUN TOP KIT, 80" (TAN) (INCLUDES ITEMS 36, 38 - 41)	1
35	634553G02		SUN TOP KIT, 80" (WHITE) (INCLUDES ITEMS 37 - 41)	1
36	602672		SUN TOP (TAN), 80"	1
37	27604G01		SUN TOP (WHITE), 80" LG	1
38	634791		FRONT STRUT	1
39	602743		REAR STRUT (DRIVER SIDE)	1
40	602741		REAR STRUT (PASSENGER SIDE)	1
41	634554		HARDWARE KIT (INCLUDES ITEMS 42 - 57)	1
42	634806		HEX HEAD BOLT, 5/16" - 18 X 2 1/4" LG	4
43	634811		FLAT WASHER, 5/16"	4
44	634810		LOCK WASHER, 5/16"	4
45	634807		SPACER, .328" I.D. X .75" O.D. X 1/2" LG	2
46	634808		FLAT WASHER, 5/16"	6
47	00674G8		HEX HEAD BOLT (SS), 3/8" - 16 X 5" LG	2
48	00679G1		FLAT WASHER (SS), 3/8"	16
49	18716G1		SPACER, .75" O.D. X 2.88" LG	2
50	00653G1		FLAT WASHER (SS), 3/8"	2
51	00891G5		LOCK NUT, 3/8" - 16	10
52	00665G5		HEX HEAD BOLT (SS), 3/8" - 16 X 1 3/4" LG	4
53	00771G5		NYLON WASHER, 3/8"	4
54	00665G3		HEX HEAD BOLT (SS), 3/8" - 16 X 2 1/2" LG	2
55	24647G1		SPACER, .39" I.D. X .75" O.D. X .29" LG	2
56	00665G6		HEX HEAD BOLT (SS), 3/8" - 16 X 2" LG	2
57	19853G1		END CAP, 1" SQ	2
58				

WEATHER PROTECTION



REAR VIEW MIRROR

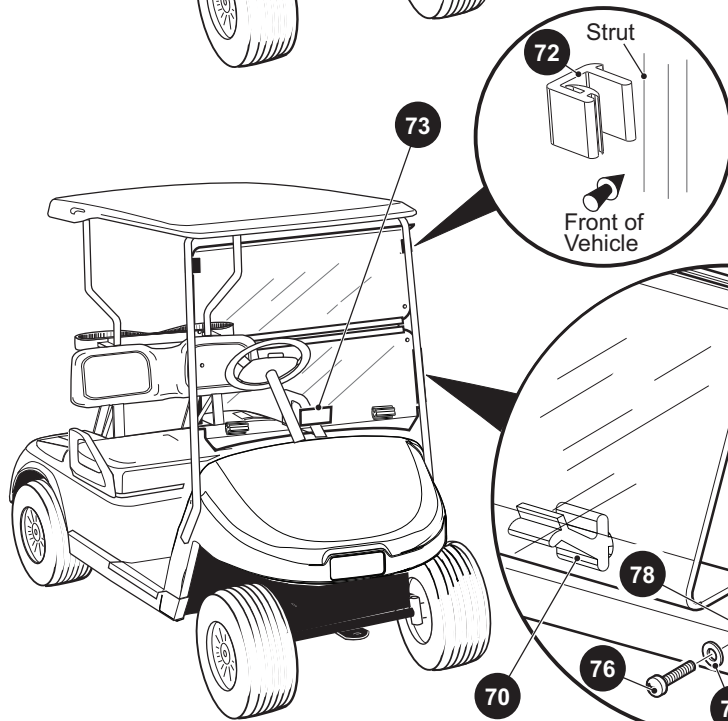
59 REAR VIEW MIRROR KIT includes items 60 - 62



FULL WINDSHIELD

90 WINDSHIELD KIT includes items 75, 91 - 93

96 WINDSHIELD KIT (2+2) includes items 75, 93, 97



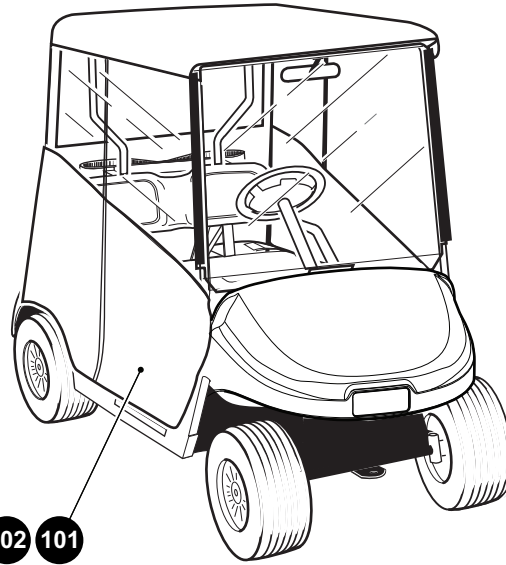
SPLIT WINDSHIELD

64 WINDSHIELD KIT, SPLIT includes items 70 - 75

82 WINDSHIELD KIT, SPLIT (2+2) includes items 70 - 75

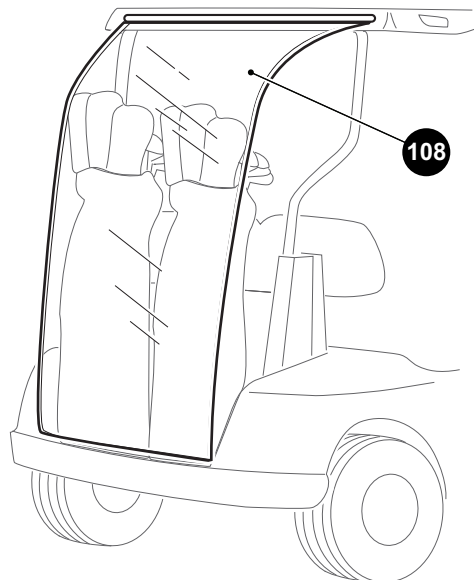
WEATHER ENCLOSURE

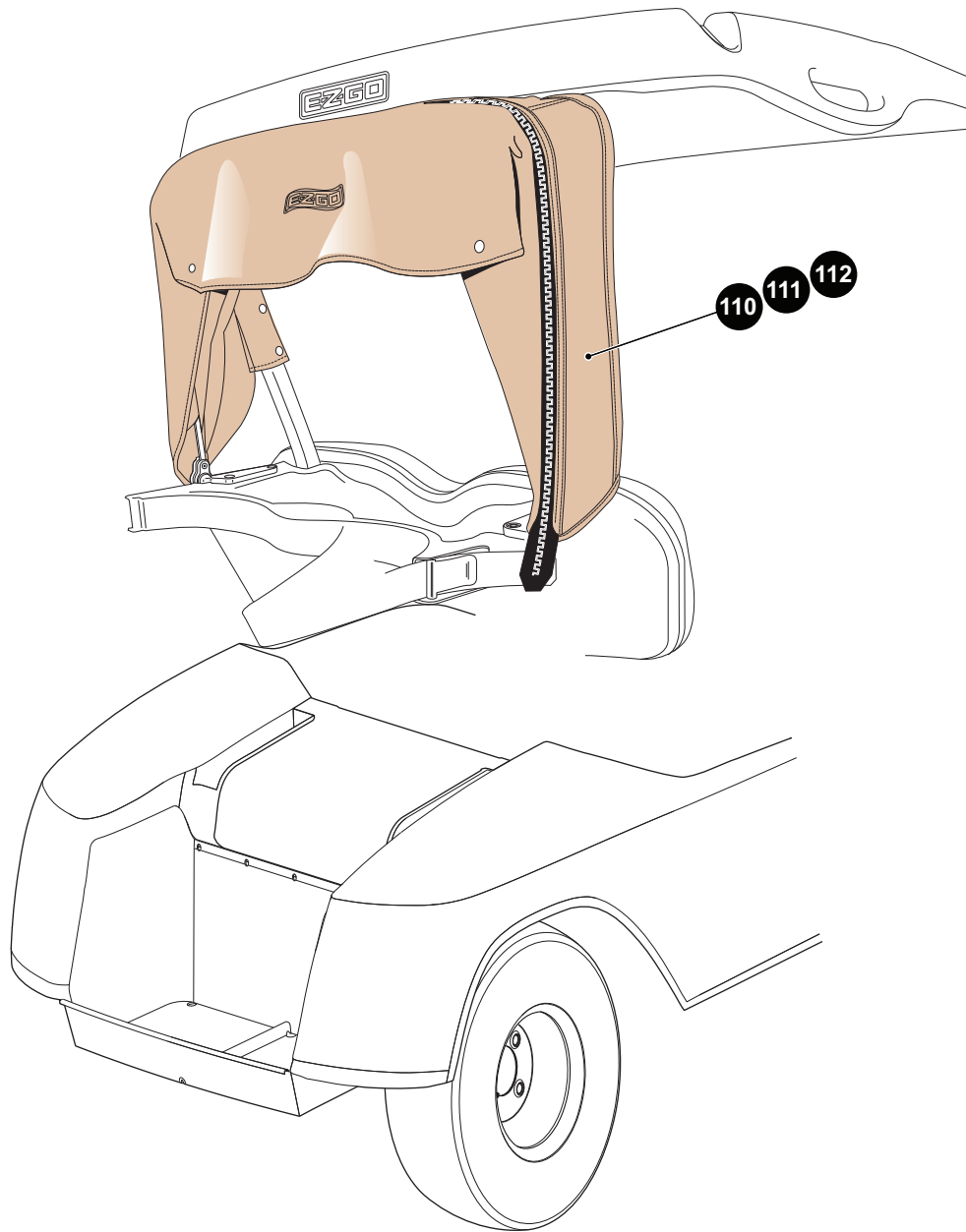
- 106
- 105
- 104
- 103
- 102
- 101



BAG AND RAIN CURTAIN

- 108





WEATHER PROTECTION

When ordering parts, please specify the model and serial number of the product.

* Indicates a component that is not available as an individual part.

*** Indicates consult Customer Service Department for additional information.

ITEM	PART NO.	1 2 3 4 5	DESCRIPTION	QTY.
59	19528G2		REAR VIEW MIRROR KIT (INCLUDES ITEMS 60 - 62)	1
60	19496G1		REAR VIEW MIRROR.....	1
61	19502G2		SUPPORT BRACKET	1
62	19527G1		SCREW (SS), #8 - 32 X 5/8" LG	1
63				
64	625279G01		WINDSHIELD KIT, SPLIT (INCLUDES ITEMS 70 - 75).....	1
65				
66				
67				
68				
69				
70	603201		LOWER LATCH.....	2
71	604115		GROMMET	4
72	625230		UPPER LATCH.....	2
73	71963G01		WARNING DECAL.....	1
74	625228		SASH, 10" LG.....	2
75	625271		HARDWARE KIT (INCLUDES ITEMS 76 - 79)	1
76	00753G5		PHILLIPS TRUSS HEAD MACHINE SCREW, 1/4" - 20 X 2" LG	2
77	01110G01		FLAT WASHER (SS), 1/4".....	4
78	625278		RUBBER GROMMET	2
79	00654G2		LOCK NUT (SS), 1/4" - 20	2
80				
81				
82	625279G02		WINDSHIELD KIT, SPLIT (2+2) (INCLUDES ITEMS 70 - 75)	1
83				
84				
85				
86				
87				
88				
89				

WEATHER PROTECTION

When ordering parts, please specify the model and serial number of the product.

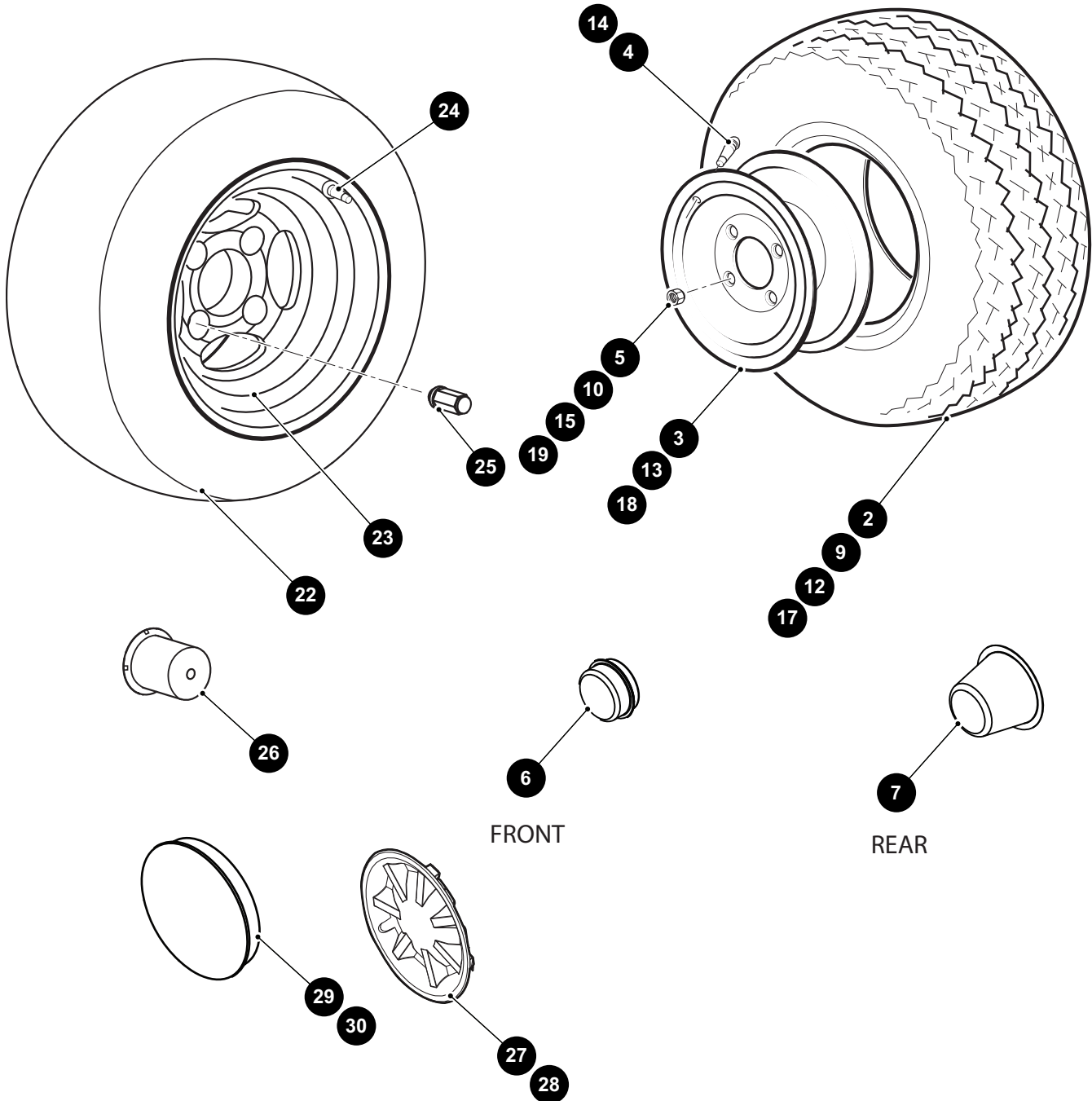
* Indicates a component that is not available as an individual part.

*** Indicates consult Customer Service Department for additional information.

ITEM	PART NO.	1	2	3	4	5	DESCRIPTION	QTY.
90	625279G03						WINDSHIELD KIT, FULL (INCLUDES ITEMS 75, 91 - 93)	1
91	*						WINDSHIELD ASSEMBLY, FULL (INCLUDES ITEMS 73, 92).....	1
92	*						WINDSHIELD FULL	1
93	625227						SASH, 26" LG	2
94								
95								
96	625279G04						WINDSHIELD KIT, FULL (2+2) (INCLUDES ITEMS 75, 93, 97)	1
97	*						WINDSHIELD ASSEMBLY, FULL (2+2) (INCLUDES ITEMS 73, 98)	1
98	*						WINDSHIELD, FULL (2+2).....	1
99								
100								
101	634541						WEATHER ENCLOSURE (3 SIDED) (TAN) RECOMMENDED FOR VEHICLES WITH WINDSHIELDS	1
102	634542						WEATHER ENCLOSURE (3 SIDED) (OYSTER) RECOMMENDED FOR VEHICLES WITH WINDSHIELDS	1
103	634543						WEATHER ENCLOSURE (3 SIDED) (HUNTER GREEN) RECOMMENDED FOR VEHICLES WITH WINDSHIELDS	1
104	634544						WEATHER ENCLOSURE (4 SIDED) (TAN) RECOMMENDED FOR VEHICLES WITHOUT WINDSHIELDS.....	1
105	634545						WEATHER ENCLOSURE (4 SIDED) (OYSTER) RECOMMENDED FOR VEHICLES WITHOUT WINDSHIELDS.....	1
106	634546						WEATHER ENCLOSURE (4 SIDED) (HUNTER GREEN) RECOMMENDED FOR VEHICLES WITHOUT WINDSHIELDS.....	1
107								
108	75191G01						BAG COVER AND RAIN CURTAIN KIT	1
109								
110	625581						BAG COVER KIT (OYSTER)	1
111	625583						BAG COVER KIT (TAN)	1
112	625585						BAG COVER KIT (GREEN)	1

WHEELS AND TIRES

- 1** WHEEL AND TIRE ASSEMBLY, LINKS includes items 2 - 4
- 8** WHEEL AND TIRE ASSEMBLY, SURE TRAIL includes items 3 - 4, 9
- 11** WHEEL AND TIRE ASSEMBLY, KENDA includes items 12 - 14
- 16** WHEEL AND TIRE ASSEMBLY, HOLE - N - ONE includes items 4, 17 - 18
- 21** ALLOY WHEEL AND TIRE ASSEMBLY includes items 22 - 24 (FREEDOM ONLY)



WHEELS AND TIRES

When ordering parts, please specify the model and serial number of the product.

* Indicates a component that is not available as an individual part.

*** Indicates consult Customer Service Department for additional information.

ITEM	PART NO.	1 2 3 4 5	DESCRIPTION	QTY.
1	28757G01		WHEEL AND TIRE ASSEMBLY, LINKS 18 X 8.5 - 8 (INCLUDES ITEMS 2 - 4)	4
2	28764G01		TIRE, CARLISLE LINKS	1
3	28759G01		WHEEL RIM (4 LUG)	1
4	11657G2		VALVE STEM	1
5	14723G1		LUG NUT, 1/2" - 20	16
6	12091G2		SPINDLE CAP	2
7	74175G01		MOLDED DUST CAP	2
8	28842G01		WHEEL AND TIRE ASSEMBLY, SURE TRAIL 18.5 X 8.5 - 8 (INCLUDES ITEMS 3, 4, 9)	2
9	28764G06		TIRE, USA TRAIL	1
10	14723G1		LUG NUT, 1/2" - 20	8
11	652255		WHEEL AND TIRE ASSEMBLY, KENDA (INCLUDES ITEMS 12 - 14)	2
12	652989		TIRE, 18 X 8.5 - 8, 6PLY (KENDA)	1
13	614621		WHEEL, 8 X 7	1
14	643948		VALVE STEM	1
15	14723G1		LUG NUT, 1/2" - 20	8
16	612772		WHEEL AND TIRE ASSEMBLY, HOLE - N - ONE 18 X 8.5 - 8 (INCLUDES ITEMS 4, 17, 18)	2
17	612771		KENDA TIRE, HOLE - N - ONE	1
18	612770		WHEEL, MONITOR 8"	1
19	14723G1		LUG NUT, 1/2" - 20	8
20				
21	635726		ALLOY WHEEL AND TIRE ASSEMBLY (INCLUDES ITEMS 22 - 24)	4
22	601768		TIRE, TOUR MAX, 205 / 50 - 10	1
23	635727		ALLOY WHEEL	1
24	601767		VALVE STEM	1
25	605310		ALLOY WHEEL LUG NUT, 1/2" - 20	16
26	601353		ALLOY WHEEL CAP	4
27	615617		HUBCAP (GOLD) (FOR VEHICLES MANUFACTURED BEFORE JANUARY 8,2018)	4
28	615618		HUBCAP (SILVER) (FOR VEHICLES MANUFACTURED BEFORE JANUARY 8,2018)	4
29	665149		WHEEL COVER (METALLIC GOLD) (FOR VEHICLES MANUFACTURED AFTER JANUARY 8,2018)	4
30	665144		WHEEL COVER (METALLIC SILVER) (FOR VEHICLES MANUFACTURED AFTER JANUARY 8,2018)	4



A Textron Company

E-Z-GO Division of Textron Inc.,
1451 Marvin Griffin Road, Augusta, Georgia 30906 - 3852 USA

TO CONTACT US...

North America:

Technical Assistance & Warranty

Phone: 1-800-774-3946, FAX: 1-800-448-8124

Service Parts

Phone: 1-888-GET-E-Z-GO (1-888-438-3946), FAX: 1-800-752-6175

International:

Phone: 001-706-798-4311, FAX: 001-706-771-4609

Service Parts Manuals, as well as Repair and Service Manuals
are available from a local Distributor, an authorized Branch,
Genuine E-Z-GO Parts & Accessories Department or at www.shopezgo.com.

Copyrighted Material
This manual may not be reproduced in whole or
in part without the express permission of
E-Z-GO Division of Textron Inc.
Technical Communications Department