

2 FIVE

OWNER'S GUIDE



A Textron Company

WELCOME

Thank you for purchasing this vehicle. Before driving the vehicle, we ask you to spend some time reading this Owner's Guide. This guide contains the information that will assist you in maintaining this highly reliable vehicle. Some illustrations may show items that are optional for your vehicle. This guide covers the operation of several vehicles; therefore, some illustrations may not represent your vehicle. Physical differences in controls will be illustrated.

Most of the service procedures in this guide can be accomplished using common, automotive hand tools. Contact your service representative on servicing the vehicle in accordance with the Periodic Service Schedule.

Service Parts Manuals, as well as Repair and Service Manuals, are available from a local Distributor, an authorized Branch, Genuine E-Z-GO Parts & Accessories Department or at www.shopezgo.com. When ordering parts or requesting information for your vehicle, provide the vehicle model and VIN.

The following information is needed when contacting E-Z-GO concerning service or parts for your vehicle:

VIN _____

Vehicle Model _____

Manufacturing Date Code _____

NOTICE

E-Z-GO 2Five is a motor vehicle that can only be operated by a licensed driver, and must be driven in accordance with all State traffic laws and the insurance requirements for motor vehicles.

2Five OWNER'S GUIDE

**ELECTRIC POWERED
LOW-SPEED VEHICLE**

2Five TWO-PASSENGER
2Five FOUR-PASSENGER

STARTING MODEL YEAR 2010

ISSUED JUNE 2009

REVISED JANUARY 2012

610598

FOREWORD

Read all of this manual to become thoroughly familiar with this vehicle. Pay particular attention to all Notices, Cautions, Warnings, and Dangers.

E-Z-GO Division of TEXTRON Inc. reserves the right to incorporate engineering and design changes to products in this Manual, without obligation to include these changes on units leased/sold previously.

The information contained in this Manual may be revised periodically by E-Z-GO, and therefore is subject to change without notice.

E-Z-GO DISCLAIMS LIABILITY FOR ERRORS IN THIS MANUAL, and E-Z-GO **SPECIFICALLY DISCLAIMS LIABILITY FOR INCIDENTAL AND CONSEQUENTIAL DAMAGES** resulting from the use of the information and materials in this Manual.

TO CONTACT US

NORTH AMERICA:

TECHNICAL ASSISTANCE & WARRANTY

PHONE: 1-800-774-3946

FAX: 1-800-448-8124

GENUINE E-Z-GO PARTS & ACCESSORIES

PHONE: 1-888-GET-EZGO (1-888-438-3946)

FAX: 1-800-752-6175

INTERNATIONAL:

SALES PHONE: 001-706-798-4311

FAX: 001-706-771-4609

SHOPEZGO.COM

The Official Online Store For E-Z-GO Genuine Parts & Accessories

This vehicle is covered by one or more of the following U. S. patents:

7,267,388 / 7,270,363 / 7,332,881 / 7,392,997 / 7,416,238 / D539,702 / D542,723 / D546,271 / D548,661 / D548,991 / D552,508 / D554,574 / D558,641 / D562,743 / D562,744

E-Z-GO DIVISION OF TEXTRON INC.

1451 MARVIN GRIFFIN ROAD, AUGUSTA, GEORGIA 30906-3852, USA

Read all of this manual to become thoroughly familiar with this vehicle. Pay particular attention to all Notices, Cautions, Warnings, and Dangers.

This vehicle has been designed and manufactured in the United States of America (USA). The Standards and Specifications listed in the following text originate in the USA unless otherwise indicated.

The use of non-Original Equipment Manufacturer (OEM) approved parts may void the warranty.

Overfilling batteries may void the warranty.

BATTERY PROLONGED STORAGE

All batteries will self-discharge over time. The rate of self-discharge varies depending on the ambient temperature and the age and condition of the batteries.

A fully charged battery will not freeze in winter temperatures unless the temperature falls below -75° F (-60° C).

For winter storage, the batteries must be clean, fully charged and disconnected from any source of electrical drain.

The batteries must be checked and recharged as required or at a minimum of 30 day intervals.

TABLE OF CONTENTS



A Textron Company

TITLE	PAGE NO.
SAFETY INFORMATION SECTION	1
GENERAL SPECIFICATIONS SECTION	23
INTRODUCTION SECTION	35
OPERATING PROCEDURES SECTION	53
MAINTENANCE PROCEDURES SECTION.....	71
REGISTRATION AND WARRANTY	113



TABLE OF CONTENTS FOR SAFETY INFORMATION SECTION

TITLE	PAGE NO.
GENERAL	3
NOTICES, CAUTIONS, WARNINGS, AND DANGERS.....	4
GENERAL OPERATION.....	8
MAINTENANCE	13
VENTILATION.....	14
SEAT BELTS.....	15
Seat Belt Operation	17
REPORTING SAFETY DEFECTS	18
LABELS AND PICTOGRAMS	19

SAFETY INFORMATION

Read all of this manual to become thoroughly familiar with this vehicle. Pay particular attention to all Notices, Cautions, Warnings, and Dangers.

GENERAL

For any questions on material contained in this manual, contact an authorized representative for clarification.

Read all labels located on the vehicle. Always replace any damaged or missing labels.

On steep hills it is possible for vehicles to coast at greater speeds. To prevent loss of vehicle control and possible serious injury, speeds should be limited to no more than 25 mph.

Catastrophic damage to the drivetrain components due to excessive speed may result from driving the vehicle above 25 mph. Damage caused by excessive speed may cause a loss of vehicle control, is costly, is considered abuse, and will not be covered under warranty.

SAFETY INFORMATION

Read all of this manual to become thoroughly familiar with this vehicle. Pay particular attention to all Notices, Cautions, Warnings, and Dangers.

NOTICES, CAUTIONS, WARNINGS, AND DANGERS

Throughout this guide **NOTICE**, **CAUTION**, **WARNING**, and **DANGER** will be used. Please observe these **NOTICES, CAUTIONS, WARNINGS, and DANGERS**; be aware that servicing a vehicle requires mechanical skill and a regard for conditions that could be hazardous. Improper service or repair may damage the vehicle or render it unsafe.

NOTICE

Address practices not related to personal injury.



CAUTION

Indicates a hazardous situation which, if not avoided, could result in minor or moderate injury.



WARNING

Indicates a hazardous situation which, if not avoided, could result in death or serious injury.



DANGER

Indicates a hazardous situation which, if not avoided, will result in death or serious injury.

SAFETY INFORMATION

Read all of this manual to become thoroughly familiar with this vehicle. Pay particular attention to all Notices, Cautions, Warnings, and Dangers.

This manual has been designed to assist in maintaining the vehicle in accordance with procedures developed by the manufacturer. Adherence to these procedures and troubleshooting tips will ensure the best possible service from the product. To reduce the chance of personal injury or property damage, the following must be carefully observed:



CAUTION

THE E-Z-GO 2Five SHALL BE OPERATED ONLY BY PERSONS WITH VALID DRIVERS LICENSES, AND IN ACCORDANCE WITH APPLICABLE STATE REQUIREMENTS. THIS IS A LEGAL REQUIREMENT AND IS IMPORTANT TO THE SAFE USE AND OPERATION OF THE PRODUCT.

All customers should adhere to this SAFETY RESTRICTION, in connection with the use of all E-Z-GO products, new and used, in personal transportation applications.

Federal Low-Speed Vehicle Standard (FMVSS 571.500) can be obtained at Title 49 of the Code of Federal Regulations, section 571.500, or through the Internet at the website for the U.S. Department of Transportation - at Dockets and Regulation, then to Title 49 of the Code of Federal Regulations (Transportation).

All vehicles can be used for a variety of tasks often beyond the original intended use of the vehicle; therefore, it is impossible to anticipate and warn against every possible combination of circumstances that may occur. No warning can replace good common sense and prudent driving practices.

SAFETY INFORMATION

Read all of this manual to become thoroughly familiar with this vehicle. Pay particular attention to all Notices, Cautions, Warnings, and Dangers.

Good common sense and prudent driving practices do more to prevent accidents and injury than all warnings and instructions combined. E-Z-GO strongly suggests that all users and maintenance personnel read this entire manual paying particular attention to the CAUTIONS, WARNINGS, and DANGERS contained therein.

If you have any questions regarding this vehicle, contact your authorized E-Z-GO 2Five dealer or write to the address on the back cover of this publication, Attention: Customer Quality Department.

E-Z-GO reserves the right to make design changes without obligation to make these changes on units previously sold. The information contained in this manual is subject to change without notice.

E-Z-GO IS NOT LIABLE FOR ERRORS IN THIS MANUAL. E-Z-GO IS NOT LIABLE FOR INCIDENTAL OR CONSEQUENTIAL DAMAGES THAT RESULT FROM THE USE OF, AND THE RELIANCE ON, THE MATERIAL IN THIS MANUAL.

This vehicle is designed and manufactured in accordance with FMVSS 571.500.

Be sure that all electrical accessories are grounded directly to the battery (-) post. ***Never use the chassis or body as a ground connection.***

Refer to GENERAL SPECIFICATIONS for vehicle seating capacity.

SAFETY INFORMATION

Read all of this manual to become thoroughly familiar with this vehicle. Pay particular attention to all Notices, Cautions, Warnings, and Dangers.

WARNING

Never modify the vehicle in any way that will alter the weight distribution of the vehicle, decrease its stability, or increase the speed or extend the stopping distance beyond the factory specification. Such modifications can result in serious personal injury or death.

Do not make any such modifications or changes. E-Z-GO prohibits and disclaims responsibility for all such modifications and alterations, which would adversely affect the safety of the vehicle.

Vehicles that are capable of higher speeds must limit their speed to no more than the speed of other vehicles when used in a golf course environment. Additionally, speed should be further moderated by the environmental conditions, terrain, and common sense.

SAFETY INFORMATION

Read all of this manual to become thoroughly familiar with this vehicle. Pay particular attention to all Notices, Cautions, Warnings, and Dangers.

GENERAL OPERATION

Read the following warnings before attempting to operate the vehicle

WARNING

To prevent personal injury or death, observe the following:

When vehicle is to be left unattended, turn key to OFF position AND REMOVE KEY.

Drive vehicle only as fast as terrain and safety considerations allow. Consider the terrain and traffic conditions. Consider environmental factors which affect the terrain and the ability to control the vehicle.

Avoid driving fast downhill. Sudden stops or change of direction may result in a loss of control. Use brake to control speed when traveling down an incline.

Use extra care and reduced speed when driving in poor driving conditions or on poor surfaces.

SAFETY INFORMATION

Read all of this manual to become thoroughly familiar with this vehicle. Pay particular attention to all Notices, Cautions, Warnings, and Dangers.



WARNING

Stay in designated areas where provided and avoid steep slopes.

Seat belts must be worn at all times while operating the vehicle.

Keep feet, legs, hands, and arms inside vehicle at all times.

Avoid extremely rough terrain.

Check area behind the vehicle before operating in reverse.

Make sure the direction selector is in correct position before depressing the accelerator pedal.

Slow down before and during turns.

Always bring vehicle to a complete stop before shifting the direction selector.

See GENERAL SPECIFICATIONS for vehicle load and seating capacity.

SAFETY INFORMATION

Read all of this manual to become thoroughly familiar with this vehicle. Pay particular attention to all Notices, Cautions, Warnings, and Dangers.

NOTICE

Read the following text and warnings before attempting to service vehicle:

In any product, components may eventually fail to perform properly as the result of normal use, age, wear, or abuse.

It is impossible to anticipate all possible component failures or the manner in which each component may fail.

A vehicle requiring repair is no longer functioning as designed and therefore could be potentially hazardous. Therefore, use extreme care when working on any vehicle. When diagnosing, removing, or replacing any components that are not operating correctly, take time to consider the safety of yourself and others around you.

Some components are heavy, spring-loaded, highly corrosive, explosive, may produce high amperage, or reach high temperatures. Exposure to battery acid and hydrogen gas could result in serious bodily injury. Be careful to protect hands, face, feet, and body from injury.

Always use the appropriate tools listed in the tool list and wear approved safety equipment.

SAFETY INFORMATION

Read all of this manual to become thoroughly familiar with this vehicle. Pay particular attention to all Notices, Cautions, Warnings, and Dangers.



WARNING

Before working on the vehicle, remove all jewelry.

Be sure no loose clothing or hair can contact moving parts.

Use care not to touch hot objects.

Wear eye protection when working on or around the vehicle. In particular, use care when working around batteries, using solvents or compressed air.

Hydrogen gas is formed when charging batteries. Do not charge batteries without adequate ventilation.

Do not permit open flame or anyone to smoke in an area that is being used for charging batteries.

SAFETY INFORMATION

Read all of this manual to become thoroughly familiar with this vehicle. Pay particular attention to all Notices, Cautions, Warnings, and Dangers.

ALWAYS:

- use the vehicle in a responsible manner and maintain the vehicle in safe operating condition
- read and observe all warnings and operation instruction labels affixed to the vehicle
- use extreme caution in areas where pedestrians are present
- maintain adequate distance between vehicles
- follow all safety rules established in the area where the vehicle is being operated
- reduce speed to compensate for poor terrain or conditions
- apply brake to control speed on steep grades
- reduce speed in wet areas
- use extreme caution when approaching sharp or blind turns
- use extreme caution when driving over loose terrain

Read all of this manual to become thoroughly familiar with this vehicle. Pay particular attention to all Notices, Cautions, Warnings, and Dangers.

MAINTENANCE

ALWAYS:

- replace damaged or missing warning, caution, or information labels
- maintain the vehicle in accordance with the manufacturer's periodic service schedule
- ensure that repairs are only performed by trained and qualified personnel
- follow the manufacturer's maintenance procedures
- insulate any tools used within the battery area in order to prevent sparks or battery explosion
- use specified replacement parts. Never use replacement parts of lesser quality
- use recommended tools
- maintain the vehicle in an area away from exposed flame or persons who are smoking
- test drive the vehicle after all repairs or maintenance in a safe area that is free of both vehicular and pedestrian traffic
- keep complete records of the maintenance history of the vehicle

SAFETY INFORMATION

Read all of this manual to become thoroughly familiar with this vehicle. Pay particular attention to all Notices, Cautions, Warnings, and Dangers.

VENTILATION

ALWAYS:

- charge the vehicle in a well-ventilated area
- charge in an area free of flammable liquids and items
- charge a vehicle in an area that is free from flame or spark, pay particular attention to natural gas or propane water heaters and furnaces.
- use a dedicated 15-amp circuit for each battery charger, DO NOT permit other appliances to be plugged into the receptacle when the charger is in operation.
- operate the charger in accordance with E-Z-GO's recommendations or applicable electrical codes

Read all of this manual to become thoroughly familiar with this vehicle. Pay particular attention to all Notices, Cautions, Warnings, and Dangers.

SEAT BELTS



WARNING

Always operate the vehicle with seat belts properly fastened.

Be certain the seat belts are latched securely and are free from twists.

Position the shoulder belt across the top of the shoulder. Do not place the shoulder belt under an arm.

Loose fitting safety belts significantly reduce protection. Keep belts snug and positioned low on the hips.

Do not exceed the recommended number of occupants for the vehicle;

Bucket seats are designed for one occupant only.

Bench seats are designed for two occupants only.

SAFETY INFORMATION

Read all of this manual to become thoroughly familiar with this vehicle. Pay particular attention to all Notices, Cautions, Warnings, and Dangers.

The driver and all passengers must wear seat belts, one person per belt.

The two-passenger 2Five has two bucket seats and is equipped with two safety belts, one for the driver and one for the passenger. The four-passenger 2Five has a rear-facing bench seat with two additional passenger seat belts. The safety belts must be used at all times while operating the vehicle.

This vehicle has not been tested for use with automotive style child safety seats or booster seats.



CAUTION

Do not use automotive style child safety seats or booster seats with this vehicle.

Inspect the safety belt webbing and hardware periodically. Check for cuts, frays or loose parts. Replace components if excessive wear or damage is noticed.

Keep safety belts clean and dry. To clean, use mild soap and warm water. Do not use bleach, dye or abrasive cleaners as this will weaken the belt webbing material.

Do not insert any foreign objects into the retractor mechanism.

Periodically check for smooth operation and replace if the mechanism is not operating properly.

Pregnant, disabled, or injured persons should consult their doctor for specific recommendations before using the 2Five.

Read all of this manual to become thoroughly familiar with this vehicle. Pay particular attention to all Notices, Cautions, Warnings, and Dangers.

Seat Belt Operation

To properly secure the seat belts, pull the metal tab out away from the retractor and insert into the appropriate buckle located near the center of the seat. A click will be heard when the tab is securely latched. Position the lap belt as low as possible on the hips, not the waist. Properly adjust and ensure a snug fit by pulling the shoulder portion upward.

The retractor will lock the belt during sudden stops. It may also lock if the person leans forward too quickly. Slow, easy motions will allow for free travel.

To release the safety belt, press the buckle release button and allow the belt to retract. If the belt does not retract, check for twists.

SAFETY INFORMATION

Read all of this manual to become thoroughly familiar with this vehicle. Pay particular attention to all Notices, Cautions, Warnings, and Dangers.

REPORTING SAFETY DEFECTS

If you believe that your vehicle has a defect which could cause a crash or could cause injury or death, you should immediately inform the National Highway Traffic Safety Administration (NHTSA) in addition to notifying E-Z-GO Division of Textron Inc.

If NHTSA receives similar complaints, it may open an investigation, and if it finds that a safety defect exists in a group of vehicles, it may order a recall and remedy campaign. However, NHTSA cannot become involved in individual problems between you, your dealer, or E-Z-GO Division of Textron Inc.

To contact NHTSA, you may call the Vehicle Safety Hotline toll-free at 1-888-327-4236 (TTY: 1-800-424-9153); go to <http://nhtsa.safercar.gov>; or write to:

Administrator, NHTSA
1200 New Jersey Avenue SE
Washington, DC 20590

You can also obtain other information about motor vehicle safety from <http://www.safercar.gov>

SAFETY INFORMATION

Read all of this manual to become thoroughly familiar with this vehicle. Pay particular attention to all Notices, Cautions, Warnings, and Dangers.

LABELS AND PICTOGRAMS

⚠ WARNING Failure to follow these instructions could result in DEATH or SERIOUS INJURY

As PERMITTED BY LAW: Vehicle may be driven on public roads. • Drivers must possess a valid drivers license in accordance with state law. 610793

AVOID FALLS from the vehicle: DO NOT start moving until all occupants are PROPERLY SEATED with SEAT BELT FASTENED and HOLDING ON. • KEEP entire body INSIDE VEHICLE while moving.


Reduce the RISK OF ACCIDENTS: Always DRIVE SLOWLY in congested areas, on wet or loose terrain, and when backing up. • DRIVE SLOWLY when turning and AVOID sudden stops. • ALWAYS drive straight up and down slopes. • Do not coast, use Brake when going down a slope. • NEVER drive this vehicle under the influence of drugs or alcohol.

This vehicle is NOT A TOY: Drive responsibly. • NEVER leave children unattended or allow children to play on the vehicle. • NEVER leave key in vehicle when parked.

DO NOT OVERLOAD this vehicle: NEVER carry more than 2 occupants on bench seat. • Do not exceed vehicle WEIGHT CAPACITY (see Owner's Manual).

DO NOT MODIFY this vehicle: NEVER alter this vehicle to increase travel speeds above factory specifications. • Alterations NOT approved or tested by E-Z-GO can create unsafe conditions and increase your chance of having an accident. • ONLY authorized E-Z-GO dealers should alter vehicle using approved parts.

⚠ DANGER Failure to follow these instructions will result in DEATH or SERIOUS INJURY



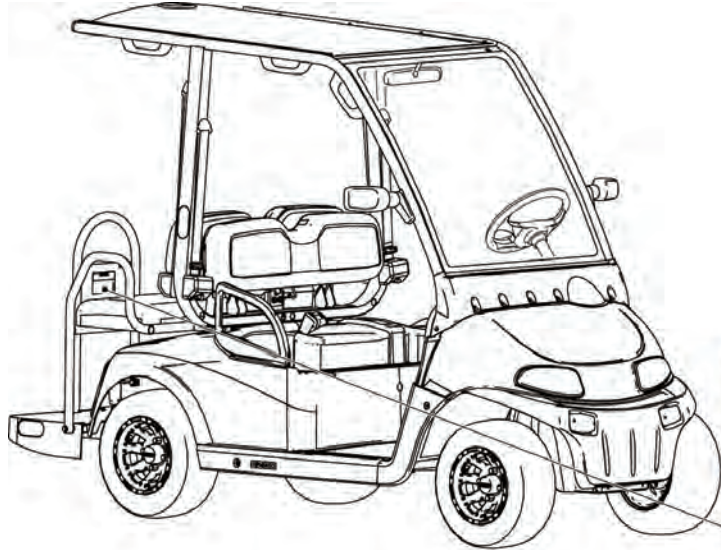
- High voltage cables and terminals are contained in this compartment.
- Battery electrolyte contains caustic substances.
- Batteries must be connected properly (see Owner's Manual).
- Connect battery charger to properly rated electrical receptacle with GFCI.
- Do not attempt to charge frozen, leaking or damaged batteries.
- ONLY charge batteries in a well ventilated area away from flammable materials.

610786



SAFETY INFORMATION

Read all of this manual to become thoroughly familiar with this vehicle. Pay particular attention to all Notices, Cautions, Warnings, and Dangers.



⚠ WARNING

**FAILURE TO FOLLOW THESE INSTRUCTIONS
MAY RESULT IN SEVERE PERSONAL INJURY.**

AVOID FALLS from the vehicle and other SERIOUS INJURIES:

- Always remain PROPERLY SEATED with SEAT BELT FASTENED and HOLDING ON.
- ONLY 2 occupants on bench seat.
- Children may need assistance to remain properly seated with seat belt fastened and holding on. NEVER leave children unattended.
- KEEP feet, legs, hands, and arms inside the vehicle at all times.
- NEVER attempt to enter or exit a moving vehicle.
- AVOID standing in front of, or behind vehicle.

611362

611362



TABLE OF CONTENTS FOR GENERAL SPECIFICATIONS SECTION

TITLE	PAGE NO.
2Five TWO-PASSENGER SPECIFICATIONS.....	25
2Five FOUR-PASSENGER SPECIFICATIONS.....	27

GENERAL SPECIFICATIONS

Read all of this manual to become thoroughly familiar with this vehicle. Pay particular attention to all Notices, Cautions, Warnings, and Dangers.

2Five TWO-PASSENGER SPECIFICATIONS

BATTERIES	Four 12 Volt deep cycle (70 minute minimum, 150 Amp-Hour discharge rate)
SPEED CONTROLLER	Solid state, 235 amp capacity
MOTOR	3 phase AC induction
TRANSAXLE	14.76:1 Reverse helical geared with input pinion splined to the motor shaft
BRAKES	4 Wheel hydraulic disc
PARKING BRAKE	Automatic parking brake function
FRONT SUSPENSION	Coil springs over hydraulic shock absorbers
REAR SUSPENSION	Leaf springs with hydraulic shock absorbers
STEERING	Single reduction rack and pinion
STEERING WHEEL	Dual handgrips with textured rubber overmold
SEATING	Split bench, foam cushion with vinyl cover and hip restraints/hand holds
SEATING CAPACITY	Operator and one passenger
TOTAL LOAD CAPACITY	800 lbs. (363 kg) including operator, passenger, accessories and cargo
SPEED	Up to 25 mph (40 kph) in forward
CHASSIS	Welded tubular steel, powder coated (DuraShield™)

GENERAL SPECIFICATIONS

Read all of this manual to become thoroughly familiar with this vehicle. Pay particular attention to all Notices, Cautions, Warnings, and Dangers.

BODY	Flexible, impact-resistant, injection-molded TPO (Thermoplastic Polyolefin) with Base Coat / Clear Coat
DASH PANEL	Scuff-resistant plastic with four drink holders, storage, and 12-volt receptacle for accessories
TIRES	205/50-10**
TIRE PRESSURE	30 psi (207 kPa)**
GROUND CLEARANCE	4.7 inches (11.9 cm) at differential
WEIGHT	822 lbs (373 kg) without batteries
OPERATING CONTROLS & INSTRUMENTATION	Removable key, 'deadman' accelerator control, speedometer/odometer, horn, rabbit/turtle speed control switch, direction selector, audible reverse warning, state of charge meter
LIGHTS	Headlights, taillights, brake lights, turn signal/hazard light
BATTERY CHARGER WITH DC TO DC CONVERTER	On-board battery charger with anti-drive away interlock and integrated 48-volt to 12-volt DC to DC converter with 30-amp output for accessories. Charger will accept 110-230 VAC input, charging the batteries with 48-volt DC, 13-amp output. Charger is UL Listed and CSA Certified

** DO NOT use low inflation pressure tires on any E-Z-GO vehicle. DO NOT use any tire which has a recommended inflation pressure less than the inflation pressure recommended in the Owner's Guide.

GENERAL SPECIFICATIONS

Read all of this manual to become thoroughly familiar with this vehicle. Pay particular attention to all Notices, Cautions, Warnings, and Dangers.

2Five FOUR-PASSENGER SPECIFICATIONS

BATTERIES	Four 12 Volt deep cycle (70 minute minimum, 150 Amp-Hour discharge rate)
SPEED CONTROLLER	Solid state, 235 amp capacity
MOTOR	3 phase AC induction
TRANSAXLE	14.76:1 Reverse helical geared with input pinion splined to the motor shaft
BRAKES	4 Wheel hydraulic disc
PARKING BRAKE	Automatic parking brake function
FRONT SUSPENSION	Coil springs over hydraulic shock absorbers
REAR SUSPENSION	Leaf springs with hydraulic shock absorbers
STEERING	Single reduction rack and pinion
STEERING WHEEL	Dual handgrips with textured rubber overmold
SEATING	Front: Split bench foam cushion with vinyl cover and hip restraints/hand holds Rear: Bench-style foam cushion with vinyl cover and hip restraints/hand holds
SEATING CAPACITY	Operator and three passengers
TOTAL LOAD CAPACITY	800 lbs. (363 kg) including operator, passengers, accessories and cargo
SPEED	Up to 25 mph (40 kph) in forward
CHASSIS	Welded tubular steel, powder coated (DuraShield™)

GENERAL SPECIFICATIONS

Read all of this manual to become thoroughly familiar with this vehicle. Pay particular attention to all Notices, Cautions, Warnings, and Dangers.

BODY	Flexible, impact-resistant, injection-molded TPO (Thermoplastic Polyolefin) with Base Coat / Clear Coat
DASH PANEL	Scuff-resistant plastic with four drink holders, storage, and 12-volt receptacle for accessories
TIRES	205/50-10**
TIRE PRESSURE	30 psi (207 kPa)**
GROUND CLEARANCE	4.5 inches (11.4 cm) at differential
WEIGHT	872 lbs (397 kg) without batteries
OPERATING CONTROLS & INSTRUMENTATION	Removable key, 'deadman' accelerator control, speedometer/odometer, horn, rabbit/turtle speed control switch, direction selector, audible reverse warning, state of charge meter
LIGHTS	Headlights, taillights, brake lights, turn signal/hazard light
BATTERY CHARGER WITH DC to DC CONVERTER	On-board battery charger with anti-drive away interlock and integrated 48-volt to 12-volt DC to DC converter with 30-amp output for accessories. Charger will accept 110-230 VAC input, charging the batteries with 48-volt DC, 13-amp output. Charger is UL Listed and CSA Certified

** DO NOT use low inflation pressure tires on any E-Z-GO vehicle. DO NOT use any tire which has a recommended inflation pressure less than the inflation pressure recommended in the Owner's Guide.

GENERAL SPECIFICATIONS

Read all of this manual to become thoroughly familiar with this vehicle. Pay particular attention to all Notices, Cautions, Warnings, and Dangers.

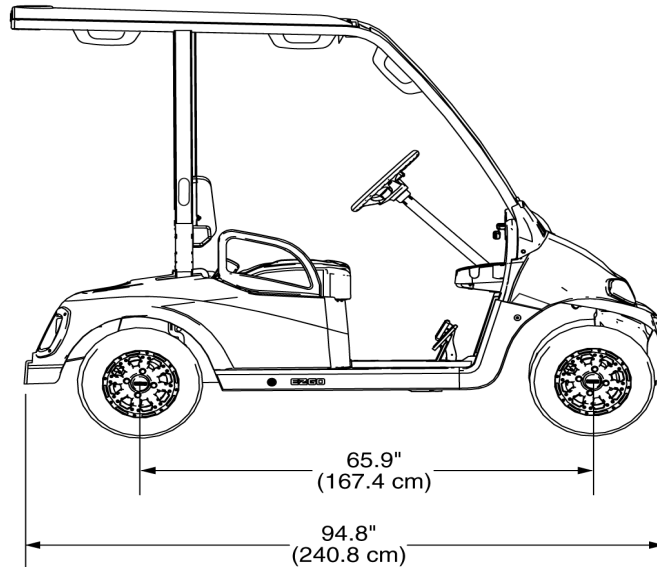


Fig. 1 2Five Two-Passenger Dimensions

GENERAL SPECIFICATIONS

Read all of this manual to become thoroughly familiar with this vehicle. Pay particular attention to all Notices, Cautions, Warnings, and Dangers.

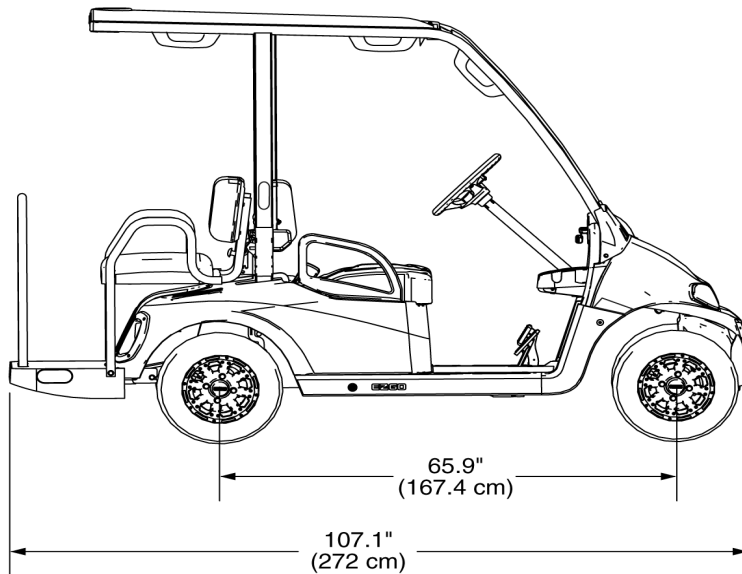


Fig. 2 2Five Four-Passenger Dimensions

GENERAL SPECIFICATIONS

Read all of this manual to become thoroughly familiar with this vehicle. Pay particular attention to all Notices, Cautions, Warnings, and Dangers.

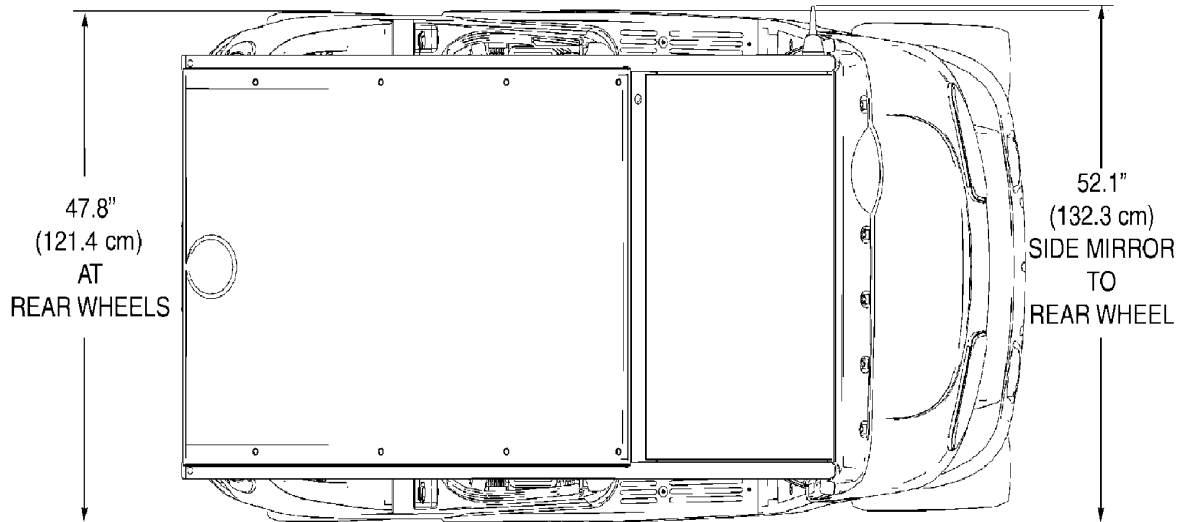


Fig. 3 2Five Two- and Four-Passenger Dimensions

GENERAL SPECIFICATIONS

Read all of this manual to become thoroughly familiar with this vehicle. Pay particular attention to all Notices, Cautions, Warnings, and Dangers.

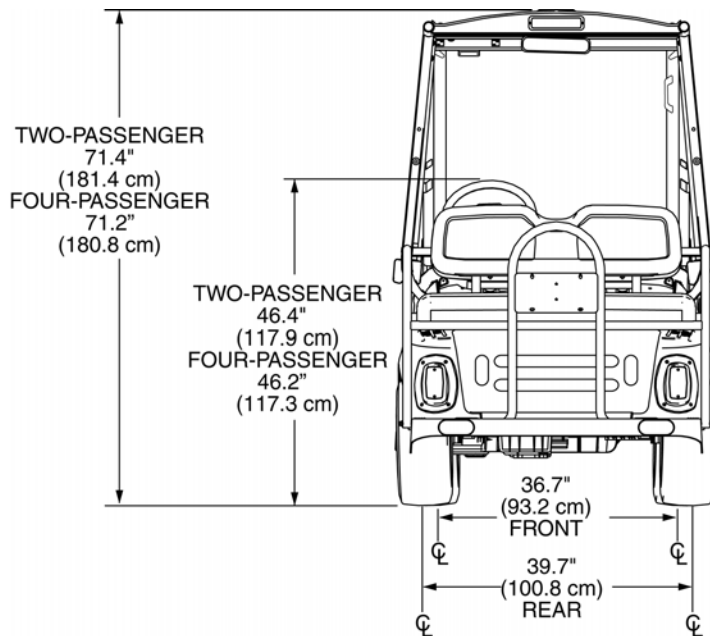


Fig. 4 2Five Two- and Four-Passenger Dimensions

GENERAL SPECIFICATIONS

Read all of this manual to become thoroughly familiar with this vehicle. Pay particular attention to all Notices, Cautions, Warnings, and Dangers.

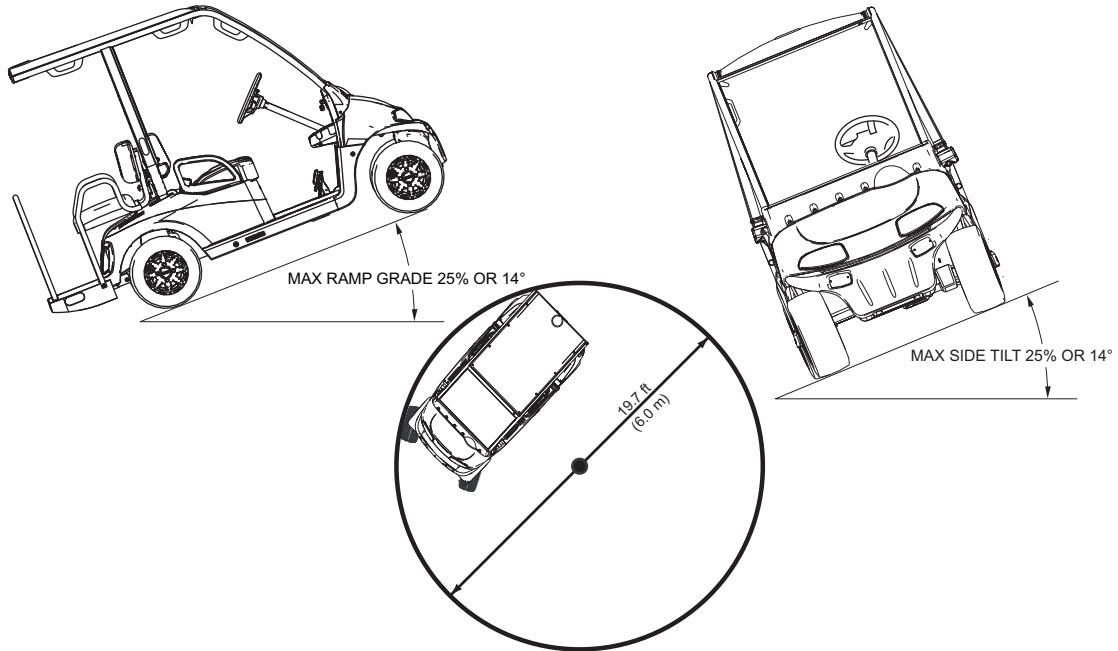


Fig. 5 Vehicle Incline Specifications and Turning Diameter

TABLE OF CONTENTS FOR INTRODUCTION SECTION

TITLE	PAGE NO.
FEATURES	37
General Information	37
Parking Brake	38
Key Switch/Direction Selector	41
High/Low Speed Switch	41
Accelerator Pedal	41
Brake Pedal	41
Horn	41
Headlight Switch	43
State of Charge Meter	43
Speedometer	43
Odometer	43
12V Accessory Plug	43
Steering Wheel	45
Turn Signal/Hazard Switch	45
Rear View Mirror	45
Side View Mirrors	45
Windshield Wiper Switch (optional)	45



A Textron Company

INTRODUCTION

Locking Glovebox (optional)	45
Cup Holder.....	45
Front Seats	47
Hip Restraint - Front.....	47
Grab Handles - Front Passenger	47
Seat Belts - Front.....	47
Windshield Wiper (if equipped).....	47
Headlamps.....	47
Front Turn Signals	47
Rear Seat.....	49
Seat Belts - Rear.....	49
Rear Restraints.....	49
Grab Handles - Rear Passenger.....	49
Brake Light/Turn Signal	49
Brake Light (Overhead).....	49
Rear Storage Compartment Release Handle	49
License Plate Holder.....	49
On-board Charger with DC to DC Converter	51
On-board Charger Receptacle.....	51
Brake Master Cylinder	51
Battery Compartment.....	51
Run/Tow Switch.....	51

Read all of this manual to become thoroughly familiar with this vehicle. Pay particular attention to all Notices, Cautions, Warnings, and Dangers.

FEATURES

General Information

NOTICE

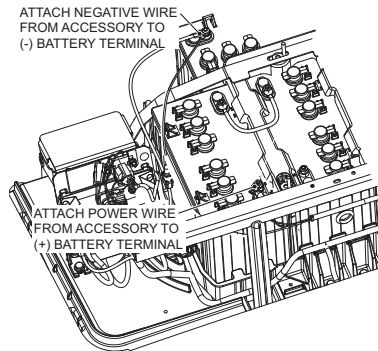
If the vehicle is equipped with factory installed custom accessories, some accessories remain operational with the key switch in the 'OFF' position.



CAUTION

ALL accessories that do NOT use the accessory wiring harness MUST be connected to draw from the entire 48 Volt battery pack. A DC to DC converter is required for accessories that require voltage other than 48 volts to operate properly.

Accessories connected to this vehicle that do not use the accessory harness must be connected to the DC to DC converter.



INTRODUCTION

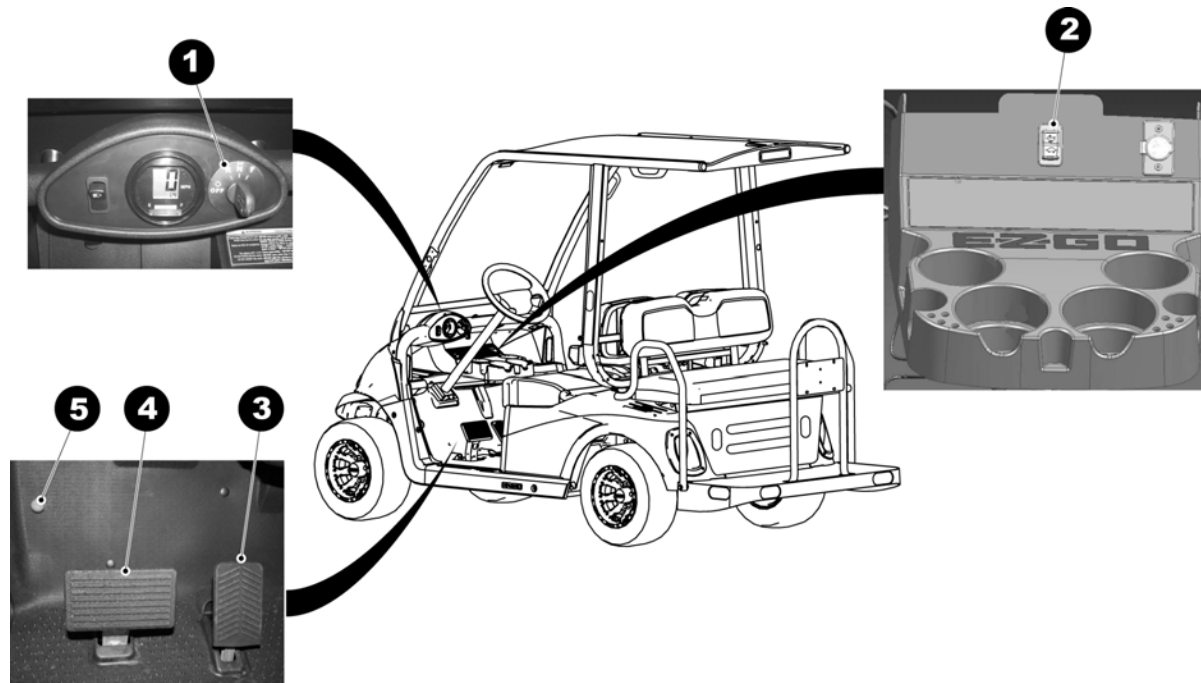
Read all of this manual to become thoroughly familiar with this vehicle. Pay particular attention to all Notices, Cautions, Warnings, and Dangers.

Parking Brake

This vehicle is equipped with an automatic parking brake; when the vehicle is stopped the parking brake is automatically set. The parking brake is released when the key switch/direction selector is in forward ('F') or reverse ('R') and the accelerator is depressed. The parking brake is also released when the Run/Tow switch is placed in the 'TOW' position with the key switch turned to neutral ('N').

INTRODUCTION

Read all of this manual to become thoroughly familiar with this vehicle. Pay particular attention to all Notices, Cautions, Warnings, and Dangers.



Read all of this manual to become thoroughly familiar with this vehicle. Pay particular attention to all Notices, Cautions, Warnings, and Dangers.

1. Key Switch/Direction Selector



CAUTION

To reduce the possibility of component damage, the vehicle must be stopped before moving the key switch/direction selector.

Located on the dash panel, the key switch/direction selector enables the electrical system of the vehicle to be turned on and off by turning the key; it also functions as the direction selector for forward, neutral or reverse. To prevent inadvertent operation of the vehicle when left unattended, the key should be turned to the 'OFF' position and removed.

2. High/Low Speed Switch

Located above the four-cup console, this switch allows operator to select between High/Rabbit and Low/Turtle speeds for on-road and golf course operation. High/Rabbit allows maximum speed of 25 mph for on-road use. Low/Turtle allows maximum speed of 14 mph for golf course use.

3. Accelerator Pedal

With the key switch in the 'F' or 'R' position, depressing the accelerator pedal starts the motor and will move the vehicle in the direction indicated on the key switch/direction selector.

4. Brake Pedal

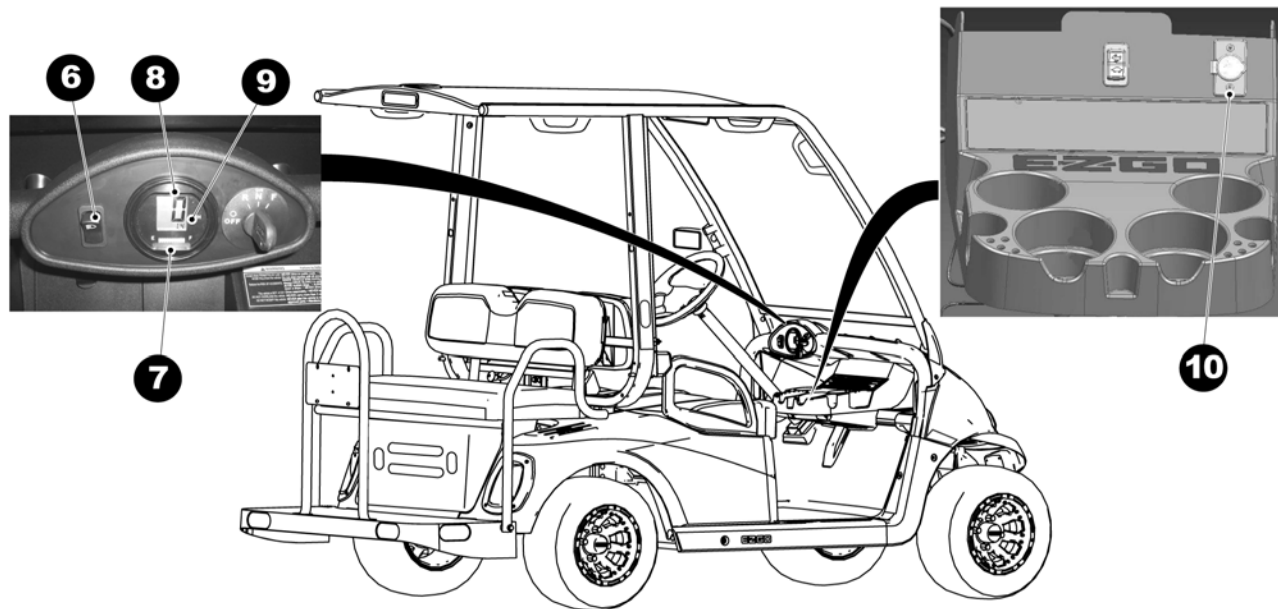
This vehicle is equipped with 4 wheel hydraulic disc brakes; the brake master cylinder is located under the seat on the driver-side of the vehicle.

5. Horn

The horn button is located on the driver's side floorboard; depressing the button will sound the vehicle's horn.

INTRODUCTION

Read all of this manual to become thoroughly familiar with this vehicle. Pay particular attention to all Notices, Cautions, Warnings, and Dangers.



Read all of this manual to become thoroughly familiar with this vehicle. Pay particular attention to all Notices, Cautions, Warnings, and Dangers.

6. Headlight Switch

The headlight ON/OFF switch is located on the instrument panel to the left of the speedometer.

7. State of Charge Meter

The vehicle is equipped with a state of charge meter located in the dash panel below the speedometer. The state of charge meter indicates the amount of usable power in the batteries. The state of charge meter shows the condition of the battery pack with F indicating a full charge on the battery pack and E indicating the battery pack needs to be charged.

8. Speedometer

The digital speedometer is located on the dash in front of the steering wheel and indicates vehicle speed.

9. Odometer

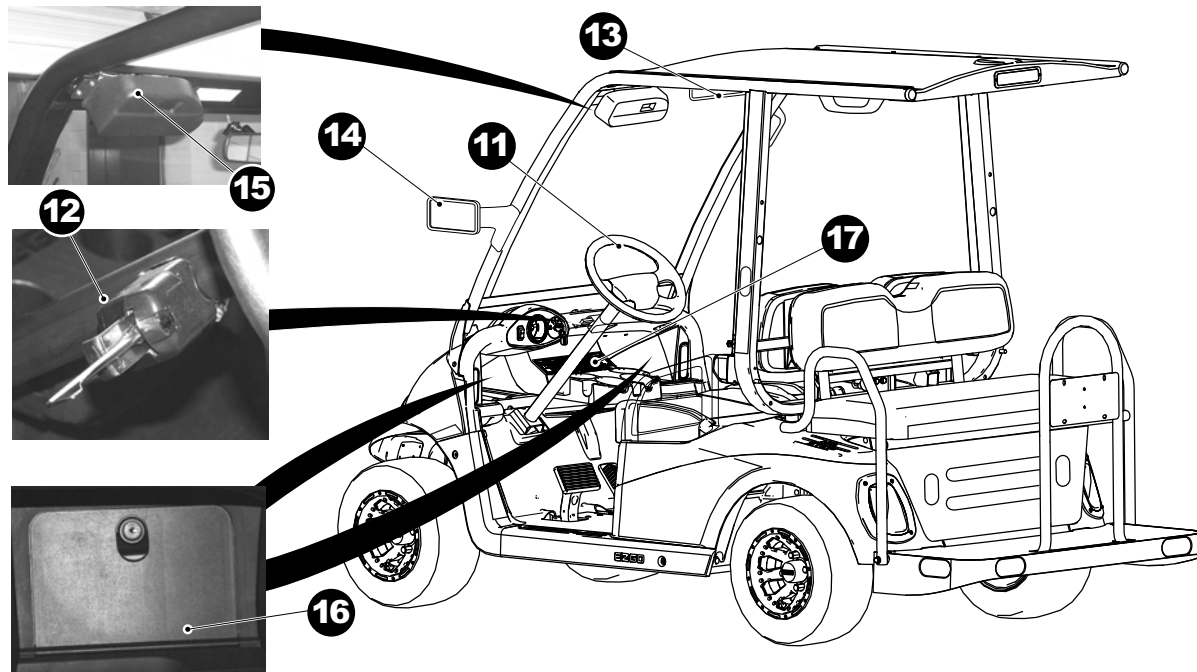
The digital odometer is located directly below the speedometer and indicates total miles driven on the vehicle. The odometer will also display warning or error codes to alert the driver to potential problems with the vehicle.

10. 12V Accessory Plug

The 12-volt accessory plug is located on the center of the dash to the left of the passenger-side glovebox. The 12-volt accessory plug can be used to run a variety of approved 12-volt accessories. Total current draw must be 10 amps or less. The accessory plug can be used with the key switch in any position.

INTRODUCTION

Read all of this manual to become thoroughly familiar with this vehicle. Pay particular attention to all Notices, Cautions, Warnings, and Dangers.



Read all of this manual to become thoroughly familiar with this vehicle. Pay particular attention to all Notices, Cautions, Warnings, and Dangers.

11. Steering Wheel

The steering wheel located in front of the driver seat is used to steer the vehicle. The steering wheel does not contain an airbag.

12. Turn Signal/Hazard Switch

The switch is mounted on the steering column. To activate the hazard lights, pull the hazard switch away from the steering column. To deactivate, temporarily flip the turn signal switch in either direction.

13. Rear View Mirror

The rear view mirror is a two-position mirror manually adjusted for day and nighttime conditions.

14. Side View Mirrors

A driver-side mirror is standard, passenger-side is offered as an option. Side view mirrors are manually adjusted.

15. Windshield Wiper Switch (optional)

The windshield wiper switch is located on the wiper motor cover plate. It is a two-speed rocker switch that has LOW/HIGH/OFF positions.

16. Locking Glove Box

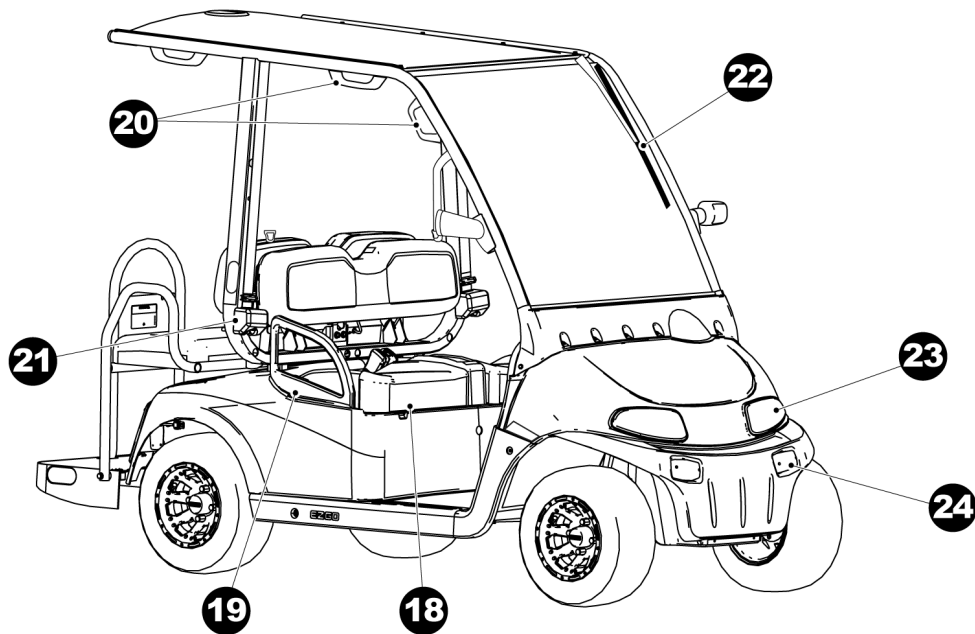
A passenger-side locking glove box is standard, driver-side is offered as an option. A separate key is used for the locking glove boxes.

17. Cup Holder

A cup holder is provided for convenience of both the driver and front passenger. No cup holder is available for rear seat occupants.

INTRODUCTION

Read all of this manual to become thoroughly familiar with this vehicle. Pay particular attention to all Notices, Cautions, Warnings, and Dangers.



Read all of this manual to become thoroughly familiar with this vehicle. Pay particular attention to all Notices, Cautions, Warnings, and Dangers.

18. Front Seats

The split bench front seat is designed for one occupant on each side of the center console. There is a seat belt for the passenger and one for the driver.

19. Hip Restraint - Front

The front hip restraints are designed to help keep the occupants properly positioned in the event of sudden vehicle position changes.

20. Grab Handles - Front Passenger

The vehicle is equipped with grab handles.

21. Seat Belts - Front

Two seat belts are located for the front seat occupants (driver and passenger).

22. Windshield Wiper (optional)

A two-speed windshield wiper is available as an option.

23. Head Lamps

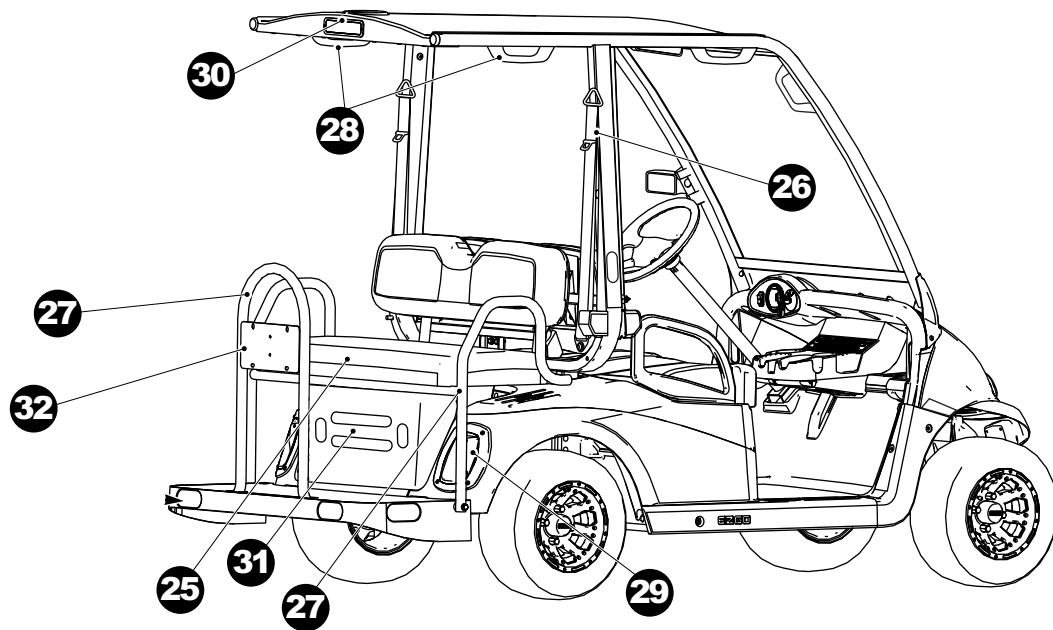
The vehicle is equipped with two single element head lamps.

24. Front Turn Signals

Vehicle is equipped with front and rear turn signals.

INTRODUCTION

Read all of this manual to become thoroughly familiar with this vehicle. Pay particular attention to all Notices, Cautions, Warnings, and Dangers.



Read all of this manual to become thoroughly familiar with this vehicle. Pay particular attention to all Notices, Cautions, Warnings, and Dangers.

25. Rear Seat

The rear seat is for two passengers only.

26. Seat Belts - Rear

Two rear seat belts are provided for the rear seat occupants.

27. Rear Restraints

There are two hip restraints and one hand hold to help keep occupants properly positioned in the event of sudden vehicle position change.

28. Grab Handles - Rear Passenger

The vehicle is equipped with grab handles.

29. Brake Light/Turn Signal

The combination brake light/turn signal assemblies are located on the rear fenders.

30. Brake Light (Overhead)

The vehicle is equipped with an overhead brake light.

31. Rear Storage Compartment

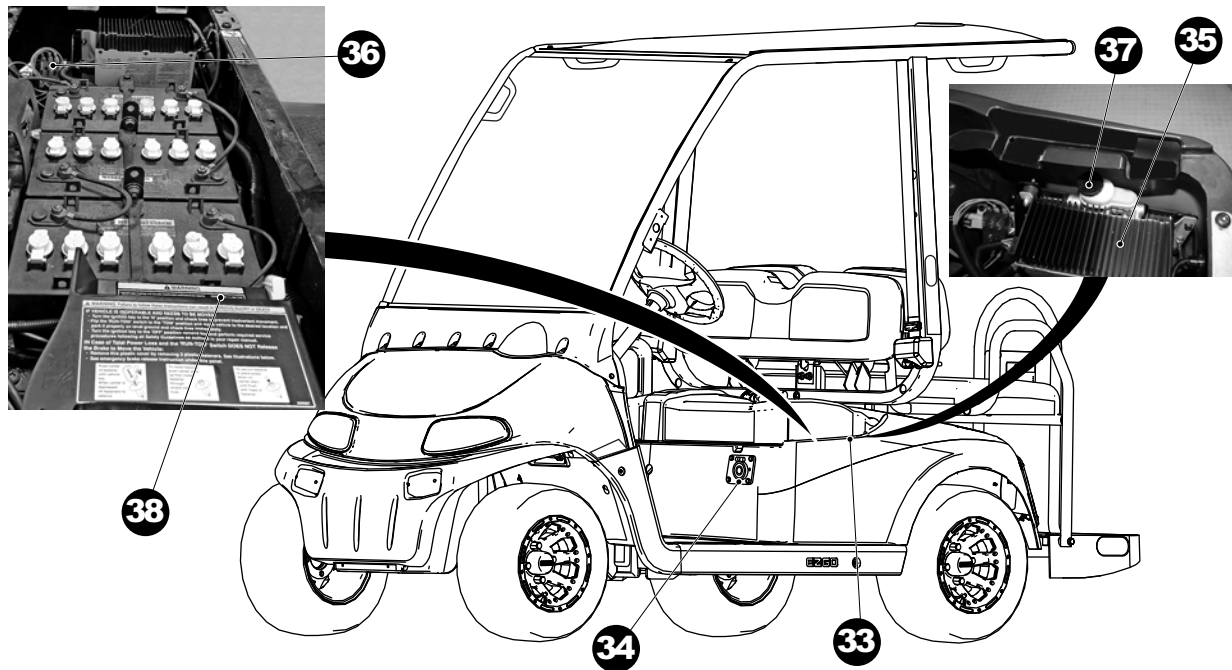
The rear storage compartment can be accessed by raising the back edge of the rear seat bottom.

32. License Plate Holder

The rear license plate is mounted to the rear crossmember behind the front seats on the two-passenger vehicle. The license plate is mounted to the rear hand hold on the four-passenger vehicle.

INTRODUCTION

Read all of this manual to become thoroughly familiar with this vehicle. Pay particular attention to all Notices, Cautions, Warnings, and Dangers.



Read all of this manual to become thoroughly familiar with this vehicle. Pay particular attention to all Notices, Cautions, Warnings, and Dangers.

33. Battery Compartment

The battery compartment can be accessed by raising the front seat to perform battery maintenance and access the Run/Tow switch.

34. On-board Charger Receptacle

The charging cord is to be connected to this receptacle while the vehicle is being charged.

35. On-board Charger with DC to DC Converter

On-board charger is used to charge battery while vehicle is parked and the DC to DC converter is used to power accessories.

36. Fuse Block

The Fuse Block is used to provide electrical protection to some accessories and options.

37. Brake Master Cylinder

The Brake Master Cylinder fluid level must be kept between the MIN and MAX lines on the master cylinder.

38. Run/Tow Switch

The Run/Tow switch is used when the vehicle has become stalled or inoperative.



WARNING

Chock tires before placing the vehicle in neutral and moving Run/Tow to 'TOW' position. Vehicle could roll and cause serious injury or death.

INTRODUCTION

Read all of this manual to become thoroughly familiar with this vehicle. Pay particular attention to all Notices, Cautions, Warnings, and Dangers.



CAUTION

Before attempting to move the vehicle, turn the key switch to 'N' and move the Run/Tow switch to the 'TOW' position. Failure to do so will damage the controller or motor.

NOTICE

The Run/Tow switch should always be returned to the 'RUN-STORAGE' position after moving a stalled vehicle. If the switch is left in the 'TOW' position for an extended period of time, it will drain the batteries.

The Run/Tow switch is located under the seat on the passenger side of the vehicle.

With the switch in the 'TOW' position and the key in 'N':

- the electronic parking brake is deactivated, which allows a stalled vehicle to be moved or roll freely, except in the event of a controller failure
- the brake is still active
- the reverse warning beeper is deactivated

With the switch in 'RUN-STORAGE' position:

- the electronic parking brake is activated and the reverse warning beeper features are activated

TABLE OF CONTENTS FOR OPERATING PROCEDURES SECTION

TITLE	PAGE NO.
SERIAL NUMBER LOCATION.....	55
VEHICLE IDENTIFICATION NUMBER (VIN)	57
VEHICLE DATA PLATE	58
BEFORE INITIAL USE	59
ON-BOARD CHARGER	61
Understanding the Charger	62
Maintenance Instructions.....	64
OPERATING THE VEHICLE.....	65
Regenerative Braking	67
Pedal-Up Braking	67
Parking Brake.....	68
High Pedal Disable Feature.....	68
Starting and Driving	68
Starting Vehicle on a Hill	69
Coasting	69
Labels and Pictograms	69
Sun Top and Windshield	70

OPERATING PROCEDURES

Read all of this manual to become thoroughly familiar with this vehicle. Pay particular attention to all Notices, Cautions, Warnings, and Dangers.

SERIAL NUMBER LOCATION

Three serial number and manufacture date code labels are on the vehicle. One is placed on the steering column (Ref. Fig. 1), the second is located on the frame member under the front splash shield on the driver side (Ref. Fig. 2) and the third is located on the passenger side frame rail at the rear of the vehicle (Ref. Fig. 3).

In order to obtain correct components for the vehicle, the manufacture date code, serial number and vehicle model must be provided when ordering service parts.

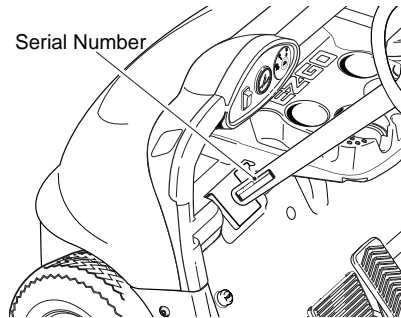


Fig. 1 Serial Number Location on Steering Column

OPERATING PROCEDURES

Read all of this manual to become thoroughly familiar with this vehicle. Pay particular attention to all Notices, Cautions, Warnings, and Dangers.

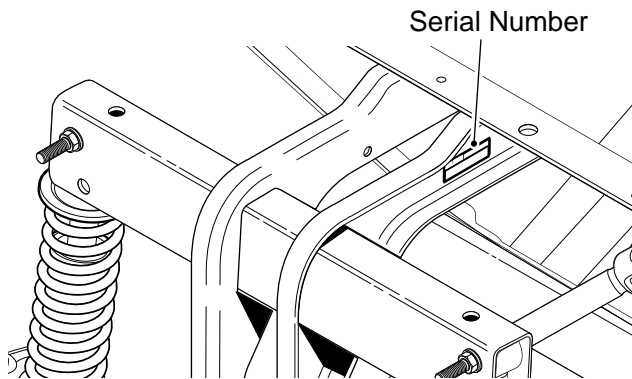


Fig. 2 Serial Number on Front Frame

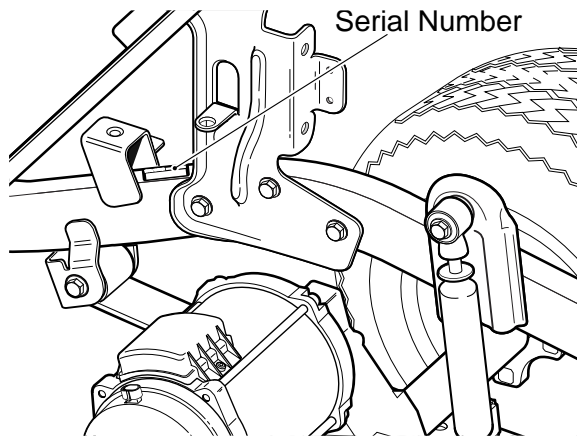


Fig. 3 Serial Number on Rear Frame

OPERATING PROCEDURES

Read all of this manual to become thoroughly familiar with this vehicle. Pay particular attention to all Notices, Cautions, Warnings, and Dangers.

VEHICLE IDENTIFICATION NUMBER (VIN)

The Vehicle Identification Number (VIN) is located on the far left side of the header (Ref. Fig. 4). It may be necessary to provide the VIN when service or parts are needed for the vehicle. The VIN must not be removed from the vehicle.

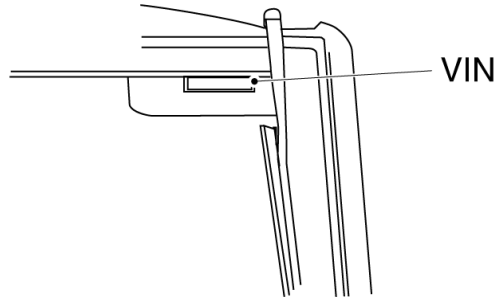


Fig. 4 VIN on Header

OPERATING PROCEDURES

Read all of this manual to become thoroughly familiar with this vehicle. Pay particular attention to all Notices, Cautions, Warnings, and Dangers.

VEHICLE DATA PLATE

The vehicle data plate is located on the inside surface of the canopy strut (Ref. Fig. 5). The data plate contains information concerning the Date of Manufacture, GVWR, GAWR (Front), GAWR (Rear), Tire and Rim Dimensions, VIN, and Type of Vehicle.

MFD BY: E-Z-GO DIVISION OF TEXTRON INC.	THIS VEHICLE CONFORMS TO ALL
DATE OF MANUFACTURE: MM/YY	APPLICABLE FEDERAL MOTOR
GVWR: XXXX LBS. (XXX KGS)	VEHICLE SAFETY STANDARDS IN
GAWR (Front): 575 LBS (261 KGS)	EFFECT AT THE DATE OF
GAWR (Rear): 2000 LBS (907 KGS)	MANUFACTURE SHOWN ABOVE
TIRE & RIM DIMENSIONS:	VIN XXXXXXXXXXXXXXX
FRONT 205/50-10 10X7 @ 30 PSI (207 KPA)-COLD	TYPE OF VEHICLE: LSV
REAR 205/50-10 10X7 @ 30 PSI (207 KPA)-COLD	

Fig. 5 Vehicle Data Plate on Header

OPERATING PROCEDURES

Read all of this manual to become thoroughly familiar with this vehicle. Pay particular attention to all Notices, Cautions, Warnings, and Dangers.

BEFORE INITIAL USE

Read and follow the safety instructions on the cup holder and header. Understanding how to use this vehicle and its accessories is essential to safety and good performance. Maintaining good performance depends to a large extent on the operator.

WARNING

Hydrogen gas is generated as a natural part of the lead acid battery charging process. A 4% concentration of hydrogen gas is explosive and could cause severe injury or death. Charging must take place in an area that is adequately ventilated (minimum of five air exchanges per hour).

To reduce the chance of battery explosion that could result in severe injury or death, never smoke around or charge batteries in an area that has open flame or electrical equipment that could cause an electrical arc.

Before a new vehicle is put into operation, the items shown in the **INITIAL SERVICE CHART** must be performed (Ref. Fig. 6).

The vehicle batteries must be fully charged before initial use.

Check for correct tire inflation. See GENERAL SPECIFICATIONS.

Check fluid level in the brake master cylinder.

Check the operation of the brakes.

OPERATING PROCEDURES

Read all of this manual to become thoroughly familiar with this vehicle. Pay particular attention to all Notices, Cautions, Warnings, and Dangers.

Remove the protective clear plastic from the seat bottom and back rest before placing the vehicle in service.

ITEM	SERVICE OPERATION
Batteries	Charge batteries
Seats	Remove protective plastic covering
Brakes	Check master cylinder fluid level & brake operation
	Perform brake burnishing procedure
	Establish acceptable stopping distance
Tires	Check air pressure (see SPECIFICATIONS)

Fig. 6 Initial Service Chart

BRAKE BURNISHING PROCEDURE:

For new vehicles or after replacement of brake pads or rotors, it is recommended that approximately 20 stops with moderate braking from 20 mph to 5 mph should be made without coming to a complete stop. This procedure will assure that your new brakes will function to their full potential and maintain maximum wear resistance.

Determine and record the braking distance required to stop the vehicle for future brake performance tests.

OPERATING PROCEDURES

Read all of this manual to become thoroughly familiar with this vehicle. Pay particular attention to all Notices, Cautions, Warnings, and Dangers.

ON-BOARD CHARGER WITH DC TO DC CONVERTER

DANGER

Risk of electric shock. Connect charger power cord to an outlet that has been properly installed and grounded in accordance with all local codes and ordinances. A grounded outlet is required to reduce risk of electric shock – do not use ground adapters or modify plug. Do not touch uninsulated portion of output connector or uninsulated battery terminal.

Disconnect the DC supply before making or breaking the connections to the battery while charging. Do not open or disassemble charger. Do not operate charger if the AC supply cord is damaged or if the charger has been damaged in any way – refer all repair work to qualified personnel.

WARNING

Use charger ONLY on 48 volt battery systems. Other usage may cause personal injury and damage. Lead acid batteries may generate explosive hydrogen gas during normal operation. Keep sparks, flames, and smoking materials away from batteries. Provide adequate ventilation during charging. Never charge a frozen battery. Study all battery manufacturers' specific precautions such as recommended rates of charge and removing or not removing cell caps while charging.

An ungrounded electrical device may become a physical hazard that could result in an electrical shock or electrocution.

OPERATING PROCEDURES

Read all of this manual to become thoroughly familiar with this vehicle. Pay particular attention to all Notices, Cautions, Warnings, and Dangers.

Understanding the Charger

The vehicle is equipped with an on-board charger and DC to DC converter to power 12 volt accessories. This allows your accessories to draw from the full battery pack, so that one battery is not damaged due to the increased current draw on a single battery.

The charger automatically starts as the AC plug is plugged into the receptacle. NOTE: a spark may be visible when as the plug is connected, this is normal and not a safety issue. The charger must be connected to a dedicated 15-amp (minimum) circuit.

Within two seconds after the AC plug has been engaged, the receptacle LED shall perform a <3 second RED/GREEN self-test flash. The receptacle LED will then flash SHORT GREEN to indicate "CHARGING <80%" and a low charge current shall be applied for a minimum of five seconds until the battery voltage reaches a minimum 1.95Vpc, or a time-out error condition has occurred. Receptacle LED will flash SHORT AMBER if charger is operating in reduced output mode due to thermal cutback.

The charger output will turn off and the receptacle LED will continuously illuminate GREEN to indicate 'CHARGED'.

If left plugged into the vehicle, the charger will automatically restart if the battery pack drops below 2.08 Vpc (Volts per cell).

If the AC is removed, the charger will turn off the receptacle LED and the charger will terminate charging.

- Charger input voltage 95 to 230 VAC power.
- 9 Amp input current required.
- Frequency 45-65 hertz.

The charger will output 13A at 48V, and the DC to DC converter will output 30A at 12V.

OPERATING PROCEDURES

Read all of this manual to become thoroughly familiar with this vehicle. Pay particular attention to all Notices, Cautions, Warnings, and Dangers.

WARNING

To prevent a physical hazard that could result in an electrical shock or electrocution, be sure that the charger plug is not damaged and is inserted into a grounded receptacle.

The optional charging (AC) cord is equipped with a polarized connector that fits into a matching receptacle on the vehicle. The receptacle is located on the driver side of the vehicle just below the seat bottom.

E-Z-GO offers a charging cord with a ground fault circuit interrupt (GFCI). If the car is not charged from a GFCI receptacle, E-Z-GO recommends that the GFCI charging cord be purchased. If using a charging cord other than one purchased from E-Z-GO, the cord must be a 3 conductor #14 SJO, or equivalent.



OPERATING PROCEDURES

Read all of this manual to become thoroughly familiar with this vehicle. Pay particular attention to all Notices, Cautions, Warnings, and Dangers.

Maintenance Instructions

1. For flooded lead-acid batteries, regularly check the water levels of each battery cell after charging and add distilled water as required to the level specified by the battery manufacturer. Follow the safety instructions recommended by the battery manufacturer.
2. Make sure the charger connections to the battery terminals are tight and clean. Check for any deformations or cracks in the plastic parts. Check the charger harness for chaffing and rubbing. Inspect all wiring for fraying, loose terminals, chaffing, corrosion or deterioration of the insulation.
3. Keep the cooling fins free of dirt and debris. Do not expose the charger to oil, dirt, mud or to direct heavy water spray when cleaning equipment.
4. Inspect the ends of the charge cord and the vehicle receptacle housing for dirt or debris. Clean the connector monthly or more often if needed.

OPERATING PROCEDURES

Read all of this manual to become thoroughly familiar with this vehicle. Pay particular attention to all Notices, Cautions, Warnings, and Dangers.

OPERATING THE VEHICLE



CAUTION

Improper use of the vehicle or the lack of proper maintenance may result in damage or decreased performance.

Read the following warnings before attempting to operate the vehicle.



WARNING

To reduce the possibility of severe injury or death resulting from loss of vehicle control, the following warnings must be observed:

When driving vehicle, consider the terrain, traffic conditions, and the environmental factors which effect the terrain and the ability to control the vehicle.

Use extra care and reduced speed when driving in poor driving conditions or on poor surfaces.

Maintain a safe speed when driving down hill. Use the brake to reduce speed when traveling down an incline. A sudden stop or change of direction may result in loss of control.

Slow down before and during turns. All turns should be made at reduced speed.

Never drive vehicle perpendicular to an incline that exceeds 14° (25% grade).

OPERATING PROCEDURES

Read all of this manual to become thoroughly familiar with this vehicle. Pay particular attention to all Notices, Cautions, Warnings, and Dangers.



WARNING

Refer to GENERAL SPECIFICATIONS for seating capacity.

To prevent inadvertent movement when the vehicle is to be left unattended, turn key to 'OFF' position and remove the key.

Make sure that the direction selector is in correct position before attempting to start the vehicle.

Always bring the vehicle to a complete stop before shifting the direction selector.

Check the area behind the vehicle before operating in reverse.

All occupants must be seated and wearing their seat belt. Keep entire body inside vehicle and hold on while vehicle is in motion.

NOTICE

Reduced vehicle range and performance can occur in steep terrain and low temperature operating conditions.

Read all of this manual to become thoroughly familiar with this vehicle. Pay particular attention to all Notices, Cautions, Warnings, and Dangers.

Regenerative Braking



WARNING

To prevent the possibility of loss of control that could cause severe injury or death, use brake to reduce speed.

This vehicle is equipped with a regenerative motor control system. If the vehicle is being driven down a slope and the driver attempts to exceed the specified top speed (with the accelerator pedal depressed or released), the regenerative braking will limit the speed of the vehicle to the specified top speed. When the regenerative braking system is activated by this sequence of events, the motor generates power that is returned to the batteries.

When the vehicle speed is reduced below the maximum by using the brake, the speed will not increase unless the throttle is increased. When the brake pedal is released, the vehicle will slow down as it does with pedal up braking.

Pedal-Up Braking

Pedal-up braking is regenerative braking that occurs when the accelerator pedal is released while the vehicle is moving. If the vehicle is being driven down a slope and the accelerator pedal is released, pedal-up braking will slow the vehicle until the vehicle stops, or the accelerator pedal is applied. When pedal-up braking system is activated by this sequence of events, the motor generates power that is returned to the batteries.

OPERATING PROCEDURES

Read all of this manual to become thoroughly familiar with this vehicle. Pay particular attention to all Notices, Cautions, Warnings, and Dangers.

Parking Brake

In the event that the vehicle will not move in forward or reverse, the automatic parking brake can be released using the instructions located on the controller splash shield beneath the seat on the passenger side of the vehicle. Refer to the Maintenance Procedures section of this manual for in-depth instructions.

High Pedal Disable Feature

High pedal disable prevents acceleration if the key is turned on while the accelerator is depressed.

Starting and Driving

All vehicles are equipped with an interlock system that disables the controller and prevents the vehicle from being operated while the charger is connected. Unplug the cord from the vehicle receptacle and properly store the cord prior to moving the vehicle.

To operate the vehicle:

- Place the key in the key switch and turn the direction selector to the direction desired.
- Slowly depress the accelerator pedal to start the motor.
- When the accelerator pedal is released, the motor controls the deceleration. To stop the vehicle more quickly, depress the **brake pedal**.

NOTICE

When the direction selector is in the reverse position, a warning signal will sound to indicate that the vehicle is ready to run in reverse.

OPERATING PROCEDURES

Read all of this manual to become thoroughly familiar with this vehicle. Pay particular attention to all Notices, Cautions, Warnings, and Dangers.

Starting Vehicle on a Hill

The parking brake will activate automatically when the vehicle comes to a stop. To start the vehicle on a hill, depress the accelerator pedal and the parking brake will be released.

Coasting

Uncontrolled coasting does not occur with this model. However, this is not a substitute for the brake which should be used to slow the speed of the vehicle quickly.

NOTICE

This model is equipped with a feature (pedal-up braking) that slows the vehicle's speed when the accelerator pedal is released, until the vehicle stops.

Labels and Pictograms

Vehicles may be labeled with pictograms as a method of conveying information or warnings. The Safety Information - Labels and Pictograms section of this manual explains the labels that are used on this vehicle.

OPERATING PROCEDURES

Read all of this manual to become thoroughly familiar with this vehicle. Pay particular attention to all Notices, Cautions, Warnings, and Dangers.

Top and Windshield



WARNING

Always keep arms and legs inside of the vehicle when the car is moving.

The top and windshield are designed to provide protection from the elements, but the operator and passengers may not remain dry during severe weather. The windshield does not provide protection from flying objects. If the vehicle is equipped with the optional strobe light overhead clearance will be reduced.

TABLE OF CONTENTS FOR MAINTENANCE PROCEDURES SECTION

TITLE	PAGE NO.
VEHICLE CLEANING AND CARE	73
Vehicle Cleaning.....	73
REPAIR.....	75
Lifting the Vehicle.....	76
WHEELS AND TIRES.....	78
Tire Repair.....	79
Wheel Installation.....	80
LIGHT BULB REPLACEMENT	81
Headlight Bulb Replacement.....	81
Turn Signal Bulb Replacement.....	82
Taillight/Brake Light Bulb Replacement.....	83
TRANSPORTING VEHICLE	84
Hauling	84
In Case of Total Power Loss	85
SERVICE AND MAINTENANCE.....	89



A Textron Company

MAINTENANCE PROCEDURES

ROUTINE MAINTENANCE	91
Tire Inspection	91
Rear Axle	91
Brake Master Cylinder	91
Error and Warning Codes	92
Hardware	93
CAPACITIES AND REPLACEMENT PARTS	94
PERIODIC SERVICE SCHEDULE	95
BATTERY CHARGING AND MAINTENANCE	98
Batteries	98
At Each Charging Cycle	101
Monthly	101
Electrolyte Level and Water	102
Battery Charging	106
Battery Removal and Installation	107
Cleaning Batteries	109
Battery Disposal	111
Prolonged Storage	112

MAINTENANCE PROCEDURES

Read all of this manual to become thoroughly familiar with this vehicle. Pay particular attention to all Notices, Cautions, Warnings, and Dangers.

VEHICLE CLEANING AND CARE

Vehicle Cleaning

WARNING

To reduce the possibility of severe injury or vehicle damage, read all instructions supplied by the manufacturer of the pressure washer.

CAUTION

When pressure washing the exterior of the vehicle, do not use pressure in excess of 700 psi. To reduce the possibility of cosmetic damage, do not use any abrasive or reactive solvents to clean plastic parts.

It is important that proper techniques and cleaning materials be used. Using excessive water pressure may cause severe injury to the operator or bystander, damage to the seals, plastics, seat material, body finish, or electrical system. Do not use pressure in excess of 700 psi to wash the exterior of the vehicle.

Clean the windshield with lots of water, a mild soap, and a clean cloth.

Normal cleaning of vinyl seats and plastic or rubber trim requires the use of a mild soap solution applied with a sponge or soft brush and wiped with a damp cloth.

Removal of oil, tar, asphalt, shoe polish, etc., requires the use of a commercially available vinyl/rubber cleaner.

MAINTENANCE PROCEDURES

Read all of this manual to become thoroughly familiar with this vehicle. Pay particular attention to all Notices, Cautions, Warnings, and Dangers.

The painted surfaces of the vehicle provide attractive appearance and durable protection. Frequent washing with lukewarm or cold water and mild detergent is required to preserve the painted surfaces.

Occasional cleaning and waxing with non-abrasive products designed for 'clear coat' automotive finishes will enhance the appearance and durability of the painted surfaces.

Corrosive materials used as fertilizers or for dust control can collect on the underbody of the vehicle. These materials will cause corrosion of underbody parts unless flushed occasionally with plain water. Thoroughly clean any areas where mud or other debris can collect. Sediment packed in closed areas should be loosened to ease its removal, taking care not to chip or otherwise damage paint.

MAINTENANCE PROCEDURES

Read all of this manual to become thoroughly familiar with this vehicle. Pay particular attention to all Notices, Cautions, Warnings, and Dangers.

REPAIR

Some servicing operations may require the front wheels, the rear wheels, or the entire vehicle to be raised.



WARNING

To reduce the possibility of severe injury or death from a vehicle falling from a jack:

Always place chocks in front and behind the wheels not being raised.

Be sure the vehicle is on a firm and level surface.

Never get under a vehicle while it is supported by a jack.

Use jack stands and test the stability of the vehicle on the stands.

Use extreme care since the vehicle is extremely unstable during the lifting process.



CAUTION

When lifting the vehicle, position the jacks and jack stands at the areas indicated only.

MAINTENANCE PROCEDURES

Read all of this manual to become thoroughly familiar with this vehicle. Pay particular attention to all Notices, Cautions, Warnings, and Dangers.

Lifting the Vehicle

Tool List

	Qty.
Floor jack	1
Jackstands	4
Wheel Chocks	4

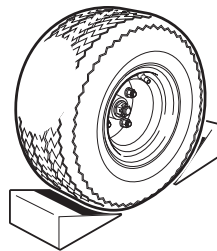
Remove payload from vehicle before lifting. No person(s) should be in or on the vehicle while lifting.

To raise the entire vehicle, install the wheel chocks in front and behind each front wheel. Center the jack under the rear axle tube next to differential housing. Raise the vehicle and position the jack stands under the frame where the leaf spring mounting bracket is welded to the frame.

Lower the jack and test the stability of the vehicle on the two jack stands.

Place the jack under the center front of the car just behind the bumper. Raise the vehicle and position the jack stands under the frame where the instrument panel support is attached to the frame.

Lower the jack and test the stability of the vehicle on all four jackstands.

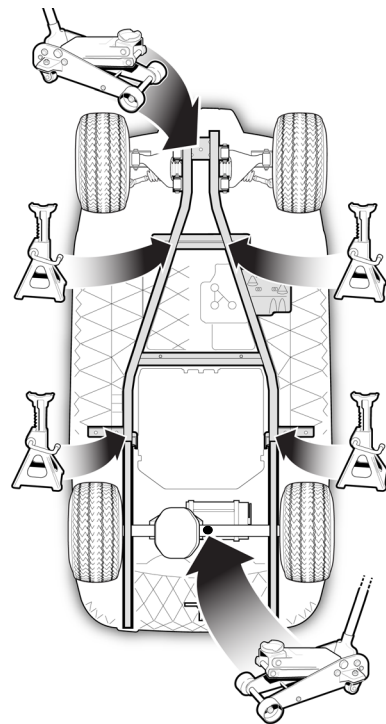


MAINTENANCE PROCEDURES

Read all of this manual to become thoroughly familiar with this vehicle. Pay particular attention to all Notices, Cautions, Warnings, and Dangers.

To raise only the front or rear of the vehicle, place the wheel chocks in front and behind the wheels that are not to be raised. The jack may be left under the center front of the frame while the front end of the vehicle is on the jackstands.

Lower the vehicle by reversing the lifting sequence.



MAINTENANCE PROCEDURES

Read all of this manual to become thoroughly familiar with this vehicle. Pay particular attention to all Notices, Cautions, Warnings, and Dangers.

WHEELS AND TIRES



A tire explosion can cause severe injury or death. Never exceed the inflation pressure rating on the tire sidewall.

To reduce the possibility of tire explosion, pressurize tire with small amounts of air applied intermittently to seat beads. Due to the low volume of the small tires, overinflation can occur in seconds. Never exceed the tire manufacturer's recommendation when seating a bead. Protect face and eyes from escaping air when removing a valve core.

DO NOT use low inflation tires on any E-Z-GO vehicle. DO NOT use any tire which has a recommended inflation pressure less than the inflation pressure recommended in the owner's guide.

Use caution when inflating tires. Overinflation could cause the tire to separate from the wheel or cause the tire to explode, either of which could cause severe injury.

MAINTENANCE PROCEDURES

Read all of this manual to become thoroughly familiar with this vehicle. Pay particular attention to all Notices, Cautions, Warnings, and Dangers.



WARNING

To reduce the possibility of severe injury caused by a broken socket when removing wheels, use only sockets designed for impact wrench use.

Tire Repair

Tool List	Qty.
Lug Wrench, 3/4"	1
Impact Socket, 3/4"	1
Impact Wrench	1
Torque Wrench, ft. lbs.	1

Use caution when inflating tires. Due to the low volume of the small tires, overinflation can occur in seconds. Overinflation could cause the tire to separate from the wheel or cause the tire to explode.

See GENERAL SPECIFICATIONS section for recommended tire inflation pressure. Under no condition should inflation pressure be higher than recommended on tire sidewall. **All four tires** should have the same pressure for optimum handling characteristics. Be sure to install the valve stem dust cap after checking or inflating. The vehicle is fitted with low volume tubeless tires mounted on one piece rims.

MAINTENANCE PROCEDURES

Read all of this manual to become thoroughly familiar with this vehicle. Pay particular attention to all Notices, Cautions, Warnings, and Dangers.

Wheel Installation



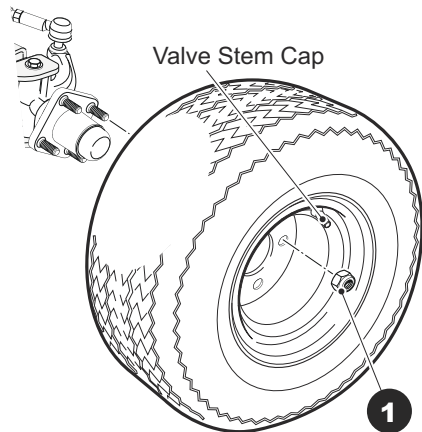
CAUTION

To reduce the possibility of component damage, do not tighten lug nuts to more than 85 ft. lbs. (115 Nm) torque.

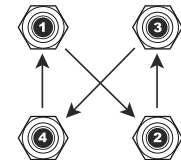
NOTICE

It is important to follow the 'cross sequence' pattern when installing lug nuts. This will assure even seating of the wheel against the hub.

With the valve stem to the outside, mount the wheel onto the hub with lug nuts. Finger tighten the lug nuts (1) in a 'cross sequence' pattern. Tighten the lug nuts to 50 to 85 ft. lbs. (68 to 115 Nm) torque in 20 ft. lbs. (27 Nm) increments following the 'cross sequence' pattern.



Tire style may vary



Cross Sequence

Read all of this manual to become thoroughly familiar with this vehicle. Pay particular attention to all Notices, Cautions, Warnings, and Dangers.

LIGHT BULB REPLACEMENT



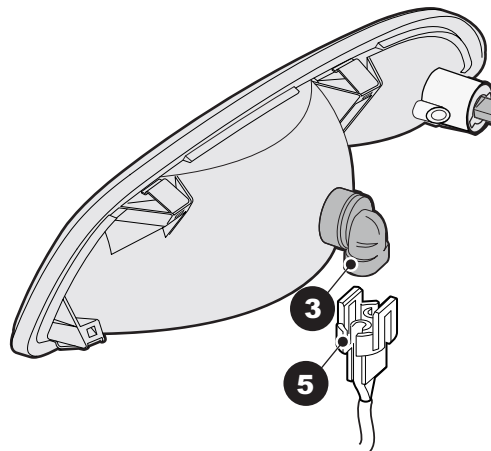
CAUTION

To reduce the possibility of premature bulb failure, do not touch new bulbs with bare fingers. Use clean, dry tissue or paper towel to handle the glass portion of the bulb.

Headlight Bulb Replacement

Make sure that the vehicle key switch is in the OFF position and the key has been removed. For vehicles equipped with lights mounted in the cowl, locate the headlight bulb socket on the backside of the light assembly.

1. Disconnect the accessory harness (5) from the light bulb.
2. Turn the headlight bulb (3) clockwise and pull to remove.
3. Align the bulb with the opening in the back of the headlight assembly.
4. Turn the bulb (3) counterclockwise until it stops.
5. Connect the accessory harness (5) to the light bulb (3).



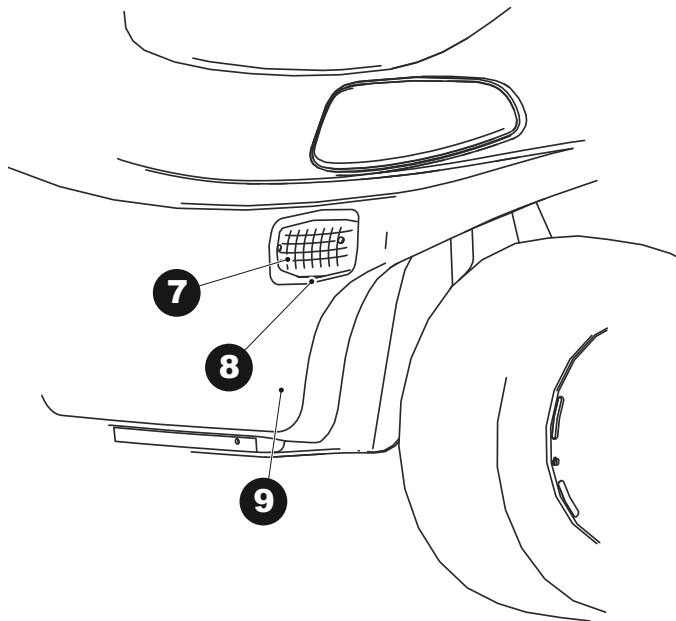
MAINTENANCE PROCEDURES

Read all of this manual to become thoroughly familiar with this vehicle. Pay particular attention to all Notices, Cautions, Warnings, and Dangers.

Turn Signal Bulb Replacement

Make sure that the vehicle key switch is in the OFF position and the key has been removed.

1. Remove the two Phillips head screws (7) that secure the lens (8) to the fascia (9).
2. Remove the light bulb.
3. Install the new light bulb.
4. Install the lens (8) and secure in place with the two Phillips head screws (7).



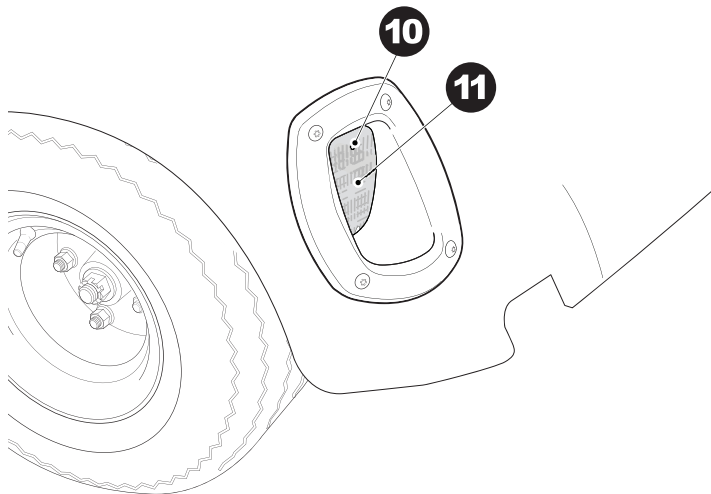
MAINTENANCE PROCEDURES

Read all of this manual to become thoroughly familiar with this vehicle. Pay particular attention to all Notices, Cautions, Warnings, and Dangers.

Taillight/Brake Light Bulb Replacement

Make sure that the vehicle key switch is in the OFF position and the key has been removed.

1. Remove the two Phillips head screws (10) that secure the lens (11) to the taillight assembly.
2. Remove the light bulb.
3. Install the new light bulb.
4. Install the lens (11) and secure in place with the two Phillips head screws (10).



MAINTENANCE PROCEDURES

Read all of this manual to become thoroughly familiar with this vehicle. Pay particular attention to all Notices, Cautions, Warnings, and Dangers.

TRANSPORTING VEHICLE

Hauling



To reduce the possibility of severe injury or death while transporting the vehicle:

Secure the vehicle and contents.

Never ride on the vehicle being transported.

The vehicle must be transported in the forward-facing position.

Maximum speed while hauling the vehicle is 70 mph (112 kph).

If the vehicle is to be transported at highway speeds, the seat bottom and controls must be secured. Always check that the vehicle and contents are adequately secured before transporting. The rated capacity of the trailer or truck must exceed the weight of the vehicle (see GENERAL SPECIFICATIONS for vehicle weight) and the load plus 1000 lbs. (454 kg). Secure the vehicle using ratchet tiedowns.

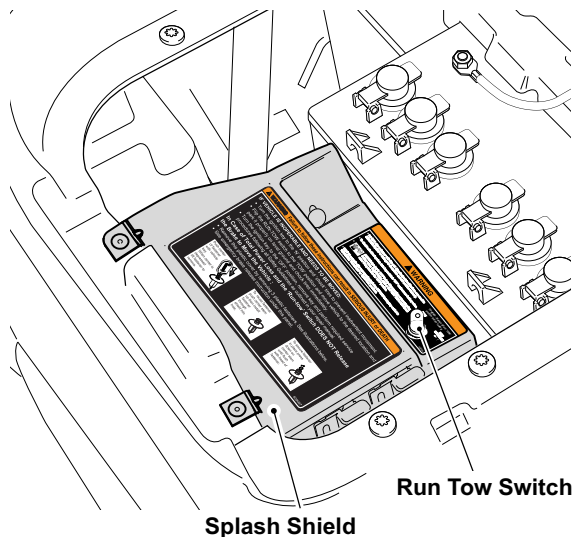
In the event that the vehicle will not move in forward or reverse, the parking brake can be released using the Run/Tow switch located under the seat on the passenger side. With the switch toggled to the 'TOW' position and the key switch in neutral (N) position, the vehicle will roll freely without activating the reverse warning beeper or damaging the controller and motor. After moving the vehicle, return the Run/Tow switch to the 'RUN-STORAGE' position; leaving the switch in the 'TOW' position will drain the batteries.

MAINTENANCE PROCEDURES

Read all of this manual to become thoroughly familiar with this vehicle. Pay particular attention to all Notices, Cautions, Warnings, and Dangers.

In Case of Total Power Loss

In case of total power loss and the Run/Tow does not release the parking brake, the instructions below the controller splash shield must be used. Chock the tires to prevent the vehicle moving when the brake is released.



MAINTENANCE PROCEDURES

Read all of this manual to become thoroughly familiar with this vehicle. Pay particular attention to all Notices, Cautions, Warnings, and Dangers.

To access the instructions remove three re-usable plastic rivets securing the controller splash shield to the body and the controller. To remove the re-usable rivets, press the center of the rivet with the vehicle key, when the center pin snaps into place the rivet can be removed, repeat the process for each remaining rivet. Turn the splash shield over to reveal the instructions for releasing the parking brake.

To reinstall the controller splash shield, position the splash shield by aligning the mounting holes with the holes in the body, push the center pin of each rivet upward so that the top of the pin is above the rivet head.

Place a rivet in each mounting hole of the controller splash shield and push down on the center pin until the top of the pin is flush with the rivet head.



MAINTENANCE PROCEDURES

Read all of this manual to become thoroughly familiar with this vehicle. Pay particular attention to all Notices, Cautions, Warnings, and Dangers.



WARNING

THIS PROCEDURE SHOULD ONLY BE PERFORMED BY QUALIFIED TRAINED PERSONNEL.

Make sure that the key is in the 'OFF' position and the tires are chocked to prevent the vehicle moving; then perform the following:

1. Locate the 'Auxiliary Power' line (3) and remove the weather pack seal (4) from the connector.
2. Locate the 'Primary Power' line connector (1) and disconnect it from line (2).
3. Connect the 'Auxiliary Power' line (3) to the 'Primary Power' line (1) which will release the brake. If the tires are not chocked and the vehicle is not on flat ground the vehicle will move immediately.
4. Move the vehicle to desired, safe location and chock the tires immediately.
5. Disconnect the 'Auxiliary Power' line (3) from the 'Primary Power' line (1).
6. Connect the 'Primary Power' line (1) to line (2).
7. Replace the weather pack seal (4) on the 'Auxiliary Power' line connector (3).

MAINTENANCE PROCEDURES

Read all of this manual to become thoroughly familiar with this vehicle. Pay particular attention to all Notices, Cautions, Warnings, and Dangers.

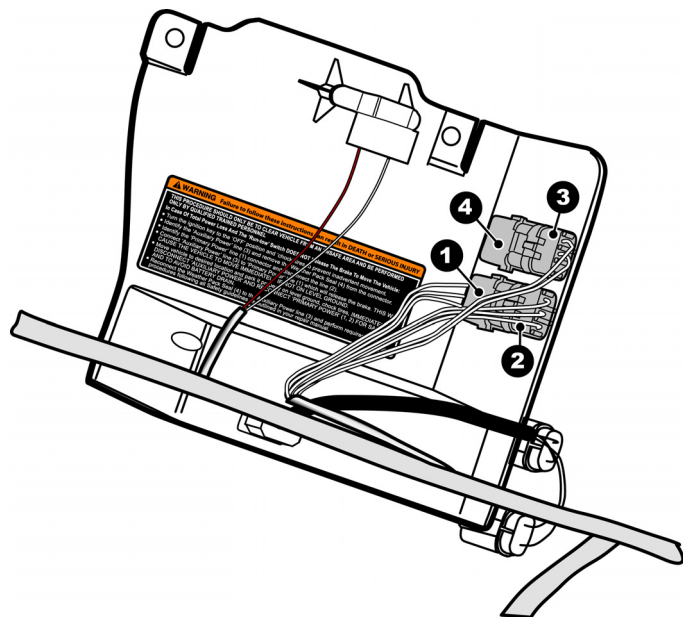


Fig. 1 Controller Splash Shield

MAINTENANCE PROCEDURES

Read all of this manual to become thoroughly familiar with this vehicle. Pay particular attention to all Notices, Cautions, Warnings, and Dangers.

SERVICE AND MAINTENANCE

WARNING

To reduce the possibility of severe injury or death from improper servicing techniques:

DO NOT attempt any type of servicing operations before reading all notes, cautions and warnings in this manual.

Never depress the accelerator pedal with drive wheels off the ground.



Wear eye protection when working on the vehicle. Use extra care when working around batteries, or using solvents or compressed air.

To reduce the possibility of causing an electrical arc, which could result in a battery explosion, turn off all electrical loads from the battery before removing battery wires.



Wrap wrenches with vinyl tape to reduce the possibility of a dropped wrench 'shorting out' a battery, which could result in an explosion.

MAINTENANCE PROCEDURES

Read all of this manual to become thoroughly familiar with this vehicle. Pay particular attention to all Notices, Cautions, Warnings, and Dangers.



WARNING

The electrolyte in a battery is an acid solution which can cause severe burns to the skin and eyes. Treat all electrolyte spills to the body and eyes with extended flushing with clear water. Contact a physician immediately.

Any electrolyte spills should be neutralized with a solution of 2 teaspoons (10 ml) sodium bicarbonate (baking soda) dissolved in 1 quart (1 liter) of water and flushed with water.

Aerosol containers of battery terminal protectant must be used with extreme care. Insulate metal container to reduce the possibility of can contacting battery terminals which could result in an explosion.

It is in the best interest of both vehicle owner and service technician to carefully follow the procedures recommended in this manual. Preventative maintenance, applied at recommended intervals, is the best guarantee for keeping the vehicle both dependable and economical.

This vehicle will give years of satisfactory service, providing it receives regular maintenance. Refer to the Periodic Service Schedule for appropriate service intervals.

MAINTENANCE PROCEDURES

Read all of this manual to become thoroughly familiar with this vehicle. Pay particular attention to all Notices, Cautions, Warnings, and Dangers.

ROUTINE MAINTENANCE



CAUTION

To prolong vehicle life, some maintenance items must be serviced more frequently on vehicles used under severe driving conditions such as extreme temperatures, extreme dust/debris conditions, or frequent use with maximum load.

To access the powertrain for routine maintenance, lift or remove the seat and remove the rear access panel. For major repair, refer to the appropriate Technician's Repair and Service Manual.

Some service procedures may require the vehicle to be lifted. Refer to LIFTING THE VEHICLE for proper lifting procedure and safety information.

Tire Inspection

Tire condition should be inspected per the Periodic Service Schedule. Inflation pressures should be checked when the tires are cool. Be sure to install the valve dust cap after checking or inflating.

Rear Axle

The only maintenance required for the first five years is the periodic inspection of the rear axle for lubricant leakage. Unless leakage is evident, the lubricant need only be replaced after five years. Refer to the Service and Repair Manual for the fluid replacement procedure.

Brake Master Cylinder

Fluid level in the Brake Master Cylinder should be checked per the Periodic Service Schedule. Brake fluid level must be maintained between the MIN and MAX indicators on the master cylinder body. Make sure that the area is clean and free of dirt before removing cap from the master cylinder to add fluid.

MAINTENANCE PROCEDURES

Read all of this manual to become thoroughly familiar with this vehicle. Pay particular attention to all Notices, Cautions, Warnings, and Dangers.

Error and Warning Codes

Error and Warning Codes will display in the odometer window as a four or five digit number to indicate a potential problem with the vehicle. If an error or warning code is displayed contact your E-Z-GO service representative.

CODE	DESCRIPTION	CODES	DESCRIPTION
1000	Parking Brake Pad Wear Warning	12818	Battery Voltage High
1001	Power Reduction to Motor	12833	Battery Voltage Low
1002	Motor Speed Sensor	20753	15V Supply Low Voltage
1003	Controller Default Parameter	20755	Sensor Power Error
1004	State of Charger Meter Calibration	21008	Current Sensor Error
1005	Controller Temperature Low	21520	Electrical Short Detected
1006	Charger Connected	16912	Motor Temperature High
1007	Throttle Switch Closed at Start Up	17912	Controller Temperature High
1008	Reverse Alarm Test Failed	20755	Sensor Power Error
8976	Controller AC Over Current	21008	Current Sensor Error
9024	Controller AC Short Circuit	21520	Electrical Short Detected
12576	Controller Charging Time-out	25108	Parking Brake Sensor Error

MAINTENANCE PROCEDURES

Read all of this manual to become thoroughly familiar with this vehicle. Pay particular attention to all Notices, Cautions, Warnings, and Dangers.

Hardware

Periodically, the vehicle should be inspected for loose fasteners. Use care when tightening fasteners. Refer to the Technician's Repair and Service Manual for specific torque values.

Generally, three classes of standard hardware and two classes of metric hardware are used in the vehicle. Grade 5 hardware can be identified by the three marks on the hexagonal head and grade 8 hardware is identified by six marks on the head. Metric hardware is marked on the head with 8.8 or 10.9. Unmarked hardware is Grade 2.






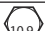
ALL TORQUE FIGURES ARE IN FT. LBS. (Nm)										
Unless otherwise noted in text, tighten all hardware in accordance with this chart.										
This chart specifies 'lubricated' torque figures. Fasteners that are plated or lubricated when installed are considered 'wet' and require approximately 80% of the torque required for 'dry' fasteners.										
BOLT SIZE	1/4"	5/16"	3/8"	7/16"	1/2"	9/16"	5/8"	3/4"	7/8"	1"
Grade 2 	4 (5)	8 (11)	15 (20)	24 (33)	35 (47)	55 (75)	75 (102)	130 (176)	125 (169)	190 (258)
Grade 5 	6 (8)	13 (18)	23 (31)	35 (47)	55 (75)	80 (108)	110 (149)	200 (271)	320 (434)	480 (651)
Grade 8 	6 (8)	18 (24)	35 (47)	55 (75)	80 (108)	110 (149)	170 (230)	280 (380)	460 (624)	680 (922)
BOLT SIZE	M4	M5	M6	M8	M10	M12	M14			
Class 5.8 (Grade 2) 	1 (2)	2 (3)	4 (6)	10 (14)	20 (27)	35 (47)	55 (76.4)			
Class 8.8 (Grade 5) 	2 (3)	4 (6)	7 (10)	18 (24)	35 (47)	61 (83)	97 (131)			
Class 10.9 (Grade 8) 	3 (4)	6 (8)	10 (14)	25 (34)	49 (66)	86 (117)	136 (184)			

Table 1: Torque Specifications and Bolt Grades

MAINTENANCE PROCEDURES

Read all of this manual to become thoroughly familiar with this vehicle. Pay particular attention to all Notices, Cautions, Warnings, and Dangers.

CAPACITIES AND REPLACEMENT PARTS

FLUID	QUANTITY
Rear Axle Lubricant Mobil 424 Gear Oil	25 oz. (740 ml)
Brake Fluid, DOT 3	As Required

Table 2: Capacities

ITEM	PART NUMBER
Fuse	ATC 10A (E-Z-GO P/N 35212G07)
Headlight Bulb	894 (E-Z-GO P/N 74004G01)
Front Turn Signal Bulb	2057 (E-Z-GO P/N 604311)
Taillight/ Brake Light Bulb	2057 (E-Z-GO P/N 604311)
*Vehicle Key	E-Z-GO P/N 609680

Table 3: Replacement Parts



*If replacing a lost key, the number on the key must match the number on the ignition.



MAINTENANCE PROCEDURES

Read all of this manual to become thoroughly familiar with this vehicle. Pay particular attention to all Notices, Cautions, Warnings, and Dangers.

PERIODIC SERVICE SCHEDULE

✓ - CHECK

C&A - CHECK & ADJUST

CL - CLEAN

R - REPLACE

REMARKS	before each use DAILY	250 miles/415 kms MONTHLY	750 miles/1250 kms QUARTERLY	1500miles/2500 kms SEMI-ANNUAL	3000miles/5000 kms ANNUAL	REPLACE AFTER
Tires - pressure, condition of tires and rims	✓	✓	✓	✓	✓	
Hardware - loose or missing	✓	✓	✓	✓	✓	
Reverse Warning Indicator	✓	✓	✓	✓	✓	
Overall Vehicle Condition	✓	✓	✓	✓	✓	
Batteries - state of charge, condition, loose terminals, corrosion, hold down and hardware	✓	CL	CL	CL	CL	
Batteries* - check electrolyte level, fill after charging if required (if plates are exposed before charging add only enough water to cover any exposed plates and fill after charging)		C&A	C&A	C&A	C&A	

MAINTENANCE PROCEDURES

Read all of this manual to become thoroughly familiar with this vehicle. Pay particular attention to all Notices, Cautions, Warnings, and Dangers.

REMARKS	before each use DAILY	250 miles/415 kms MONTHLY	750 miles/1250 kms QUARTERLY	1500miles/2500 kms SEMI-ANNUAL	3000miles/5000 kms ANNUAL	REPLACE AFTER
Brakes - check fluid level in master cylinder		✓	✓	✓	✓	3000 mi/5000 km
Brakes - smooth operation of pedal, stopping distance	✓	✓	✓	✓	✓	
Brakes - aggressive stop test, does brake hold on a hill		P	P	P	P	
Accelerator - smooth operation	✓	✓	✓	✓	✓	
Wiring - loose connections, broken or missing insulation		✓	✓	✓	✓	
Charger Receptacle - clean connections		CL	CL	CL	CL	
Steering Assembly - excessive play, loose or missing hardware		✓	✓	✓	✓	
Tie Rods - excessive play, bent rods, loose or missing hardware		✓	✓	✓	✓	

MAINTENANCE PROCEDURES

Read all of this manual to become thoroughly familiar with this vehicle. Pay particular attention to all Notices, Cautions, Warnings, and Dangers.

Table 4: Periodic Service Schedule - continued

REMARKS	before each use	250 miles/415 kms	750 miles/1250 kms	1500miles/2500 kms	3000miles/5000 kms	REPLACE AFTER
	DAILY	MONTHLY	QUARTERLY	SEMI-ANNUAL	ANNUAL	
Rear Axle - oil leakage, noise, loose or missing hardware		✓	✓	✓	✓	
Rear Axle - drain and replace fluid						5000 mi/8000 km
Front Suspension - strut oil leakage, excessive play in hubs or kingpins, worn bushings, loose or missing hardware		✓	✓	✓	✓	
Front Wheel Alignment - unusual tire wear			C&A	C&A	C&A	
Rear Suspension - shock oil leakage, worn bushings, loose or missing hardware			✓	✓	✓	
Motor Coupling - Add Anti - Sieze compound (Approx 1 table-spoon)						20,000 AMP-Hrs
*Use only distilled or purified water that is free of contaminants to fill batteries.						

MAINTENANCE PROCEDURES

Read all of this manual to become thoroughly familiar with this vehicle. Pay particular attention to all Notices, Cautions, Warnings, and Dangers.

BATTERY CHARGING AND MAINTENANCE

Batteries



WARNING

To prevent battery explosion that could result in severe personal injury or death, keep all smoking materials, open flames or sparks away from the batteries.

Hydrogen gas is formed when charging batteries. Do not charge batteries without adequate ventilation. A 4% concentration of hydrogen gas is explosive.

Be sure that the key switch is off and all electrical accessories are turned off before starting work on the vehicle.

Never disconnect a circuit under load at a battery terminal.

MAINTENANCE PROCEDURES

Read all of this manual to become thoroughly familiar with this vehicle. Pay particular attention to all Notices, Cautions, Warnings, and Dangers.

WARNING

SAFETY FIRST



**BEND KNEES
WHEN
LIFTING**

Batteries are heavy. Use proper lifting techniques when moving them. Always lift the battery with a commercially available battery lifting device. Use care not to tip batteries when removing or installing them; spilled electrolyte can cause burns and damage.

The electrolyte in a battery is an acid solution which can cause severe burns to the skin and eyes. Treat all electrolyte spills to the body and eyes with extended flushing

with clear water. Contact a physician immediately.

Always wear a safety shield or approved safety goggles when adding water or charging batteries.



Any electrolyte spills should be neutralized with a solution of 2 teaspoons (10 ml) sodium bicarbonate (baking soda) dissolved in 1 quart (1 liter) of water and flushed with water.

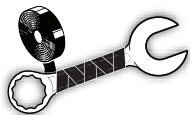
Overfilling batteries may result in electrolyte being spilled from the battery during the charge cycle. Expelled electrolyte may cause damage to the vehicle and storage facility.

MAINTENANCE PROCEDURES

Read all of this manual to become thoroughly familiar with this vehicle. Pay particular attention to all Notices, Cautions, Warnings, and Dangers.

WARNING

Aerosol containers of battery terminal protectant must be used with extreme care. Insulate metal container to prevent can from contacting battery terminals, which could result in an explosion.



Wrap wrenches with vinyl tape to prevent the possibility of a dropped wrench from 'shorting out' a battery, which could result in an explosion and severe personal injury or death.

BATTERY WARNING

Battery posts, terminals and related accessories contain lead and lead compounds, chemicals known to cause cancer and reproductive harm.

**WASH HANDS
AFTER HANDLING!**

MAINTENANCE PROCEDURES

Read all of this manual to become thoroughly familiar with this vehicle. Pay particular attention to all Notices, Cautions, Warnings, and Dangers.

Tool List

	Qty.
Insulated Wrench, 9/16"	1
Battery Watering Jug (available at most automotive parts stores)	1

As a battery ages, it still performs adequately except that its **capacity** is diminished. Capacity describes the time that a battery can continue to provide its design amperes from a full charge.

A battery has a maximum life, therefore good maintenance is designed to maximize the **available** life and reduce the factors that can reduce the life of the battery.

At Each Charging Cycle

Before charging the batteries, inspect the plug of the power cord and vehicle receptacle housing for dirt or debris.

Charge the batteries after each day's use.

Monthly

- Inspect all wiring for fraying, loose terminations, corrosion or deterioration of insulation.
- Check that the electrolyte level is correct and add suitable water as required.
- Clean the batteries and wire terminations.
- Torque battery terminal nuts to 95 - 105 in. lbs. (11 - 12 Nm).
- Coat battery terminals with commercially available protectant.

MAINTENANCE PROCEDURES

Read all of this manual to become thoroughly familiar with this vehicle. Pay particular attention to all Notices, Cautions, Warnings, and Dangers.

Electrolyte Level and Water

The correct level of the electrolyte is 1/2" (13 mm) above the plates in each cell.

This level will leave approximately 1/4" to 3/8" (6 to 10 mm) of space between the electrolyte and the vent tube. The electrolyte level is important since any portion of the plates exposed to air will be ruined beyond repair. Also avoid filling with too much water, which will result in electrolyte being forced out of the battery due to gassing and a decrease in volume of the electrolyte that results from the charging cycle.



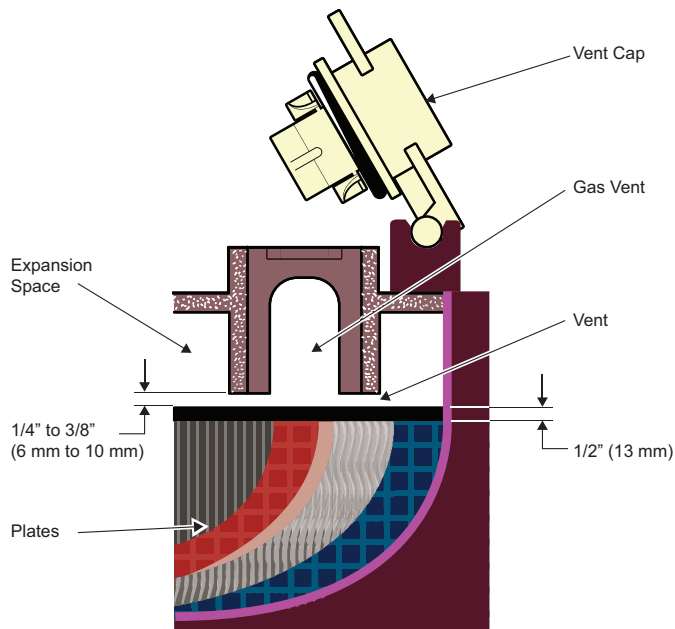
CAUTION

DO NOT overfill batteries. The charging cycle will expel electrolyte and result in component damage.

MAINTENANCE PROCEDURES

Read all of this manual to become thoroughly familiar with this vehicle. Pay particular attention to all Notices, Cautions, Warnings, and Dangers.

If the battery electrolyte level is too high, the electrolyte will block the vent tube and the gas will force it out of the vent tube and battery cap. The water will evaporate but the sulfuric acid will remain where it can damage vehicle components and the storage facility floor. Sulfuric acid loss will weaken the concentration of acid within the electrolyte and reduce the life of the battery.



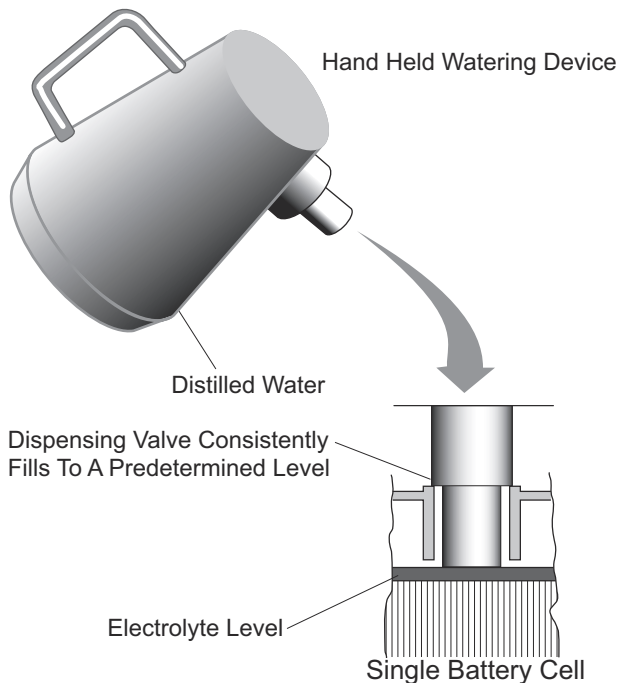
Electrolyte level should be at least 1/2" (13 mm) above the plates and 1/4" to 3/8" (6 to 10 mm) below vent.

MAINTENANCE PROCEDURES

Read all of this manual to become thoroughly familiar with this vehicle. Pay particular attention to all Notices, Cautions, Warnings, and Dangers.

Over the life of the battery, a considerable amount of water is consumed. It is important that the water used be pure and free of contaminants that could reduce the life of the battery by reducing the chemical reaction. The water must be distilled or purified by an efficient filtration system. Even if the water is colorless, odorless, tasteless and fit for drinking, the water should be analyzed to see that it does not exceed the impurity levels specified in the table.

A Battery Watering Jug; available from many auto parts stores; may be used to fill the battery, these watering devices are accurate, easy to use and allow for rapid filling. They also maintain the correct electrolyte level within the battery cells.



MAINTENANCE PROCEDURES

Read all of this manual to become thoroughly familiar with this vehicle. Pay particular attention to all Notices, Cautions, Warnings, and Dangers.

NOTICE

The watering device should only be used if the electrolyte level is less than 1/2" (13 mm) above top of plates.

WARNING

The electrolyte in a battery is an acid solution which can cause severe burns to the skin and eyes. Treat all electrolyte spills to the body and eyes with extended flushing with clear water. Contact a physician immediately.



Always wear a safety shield or approved safety goggles when adding water or charging batteries.

Any electrolyte spills should be neutralized with a solution of 2 teaspoons (10 ml) sodium bicarbonate (baking soda) dissolved in 1 quart (1 liter) of water and flushed with water.

MAINTENANCE PROCEDURES

Read all of this manual to become thoroughly familiar with this vehicle. Pay particular attention to all Notices, Cautions, Warnings, and Dangers.

Battery Charging

The battery charger is designed to fully charge the battery set. If the batteries are excessively discharged, the battery charger contains an electronic module that may not activate and the battery charger will not function. The charger will determine the correct duration of charge to the battery set and will shut off when the battery set is fully charged. Always refer to the instructions for the battery charger.

Before charging, the following should be observed:



CAUTION

Do not overfill batteries. The charging cycle will expel electrolyte and result in component damage.

- The electrolyte level in all cells must be at the recommended level and cover the plates.
- The charging must take place in an area that is well ventilated.
- The charging connector components must be in good condition and free from dirt or debris.
- The power cord plug must be fully inserted into the vehicle charger receptacle.
- The power cord is protected from damage and is located in an area to prevent injury that may result from running over or tripping over the cord.

MAINTENANCE PROCEDURES

Read all of this manual to become thoroughly familiar with this vehicle. Pay particular attention to all Notices, Cautions, Warnings, and Dangers.

Battery Removal and Installation

WARNING

Improper handling of high voltage wiring, batteries, or control systems could result in serious or fatal injury by electric shock. Only qualified technicians should repair or access high voltage wiring, battery packs, and associated systems.

To prevent battery explosion that could result in severe personal injury or death, extreme care must be used with aerosol containers of battery terminal protectant. Insulate the metal container to prevent the metal can from contacting battery terminals, which could result in an explosion.

CAUTION

If the batteries are replaced, make sure they are the exact type and model originally supplied with the vehicle. Failure to follow this caution can result in damage to the vehicle's electrical system.

MAINTENANCE PROCEDURES

Read all of this manual to become thoroughly familiar with this vehicle. Pay particular attention to all Notices, Cautions, Warnings, and Dangers.

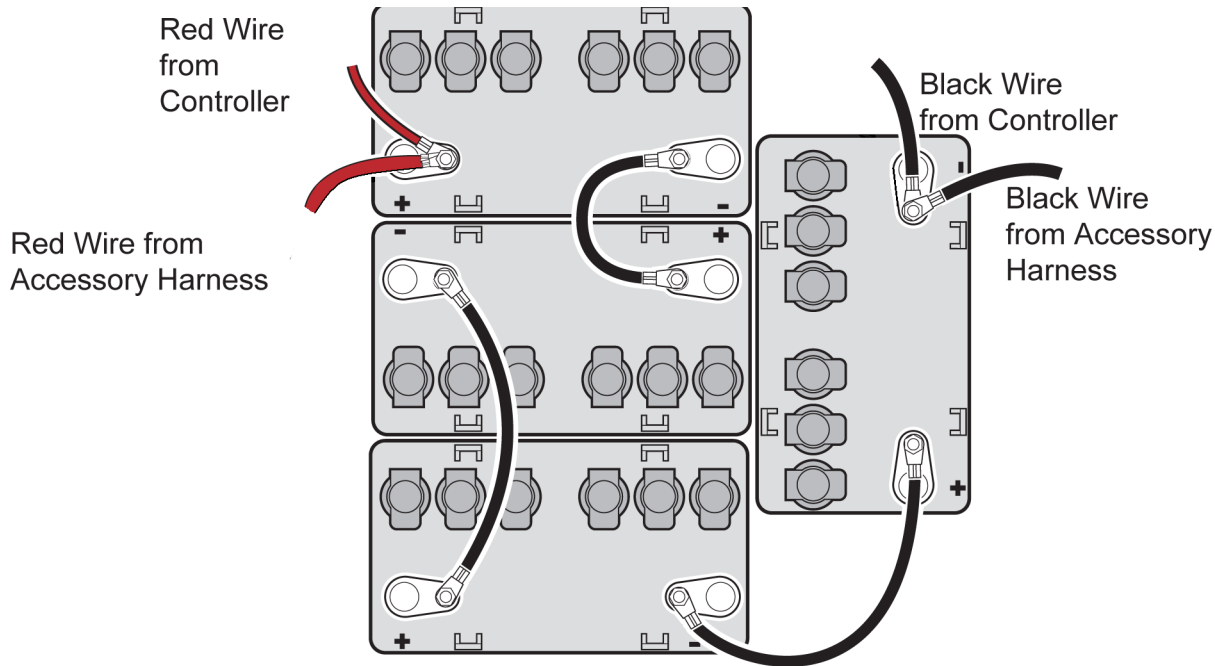


Fig. 2 Battery Connections

MAINTENANCE PROCEDURES

Read all of this manual to become thoroughly familiar with this vehicle. Pay particular attention to all Notices, Cautions, Warnings, and Dangers.

Cleaning Batteries

When cleaning the outside of the batteries and terminals, do not use a water hose without first spraying the batteries with a solution of baking soda (sodium bicarbonate) and water to neutralize any acid deposits. Use of a water hose without first neutralizing the acid will move the acid from the top of the batteries to another area of the vehicle or storage facility, where it will attack the metal structure or the concrete/asphalt floor. After hosing down the batteries, a residue will be left on the batteries, which is conductive and will contribute to the discharge of the batteries.



CAUTION

To prevent battery damage, be sure that all battery caps are tightly installed.

The correct cleaning technique is to spray the top and sides of the batteries with a solution of baking soda and water. This solution is best applied with a plastic sprayer equipped. The solution should consist of 2 teaspoons (10 ml) sodium bicarbonate (baking soda) dissolved in 1 quart (1 liter) of water. In addition to the batteries, special attention should be paid to metallic components adjacent to the batteries, these should also be sprayed with the baking soda solution.

1 quart
(1 liter)
Clear Water



2 Teaspoons
(10 ml)
Sodium
Bicarbonate
(Baking Soda)



Plastic
Spray
Bottle

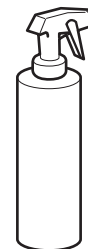


Fig. 3 Preparing Acid Neutralizing Solution

MAINTENANCE PROCEDURES

Read all of this manual to become thoroughly familiar with this vehicle. Pay particular attention to all Notices, Cautions, Warnings, and Dangers.

Allow the solution to set for at least three minutes; use a soft bristle brush or cloth to wipe the tops of the batteries in order to remove any residue that could cause the self-discharge of the battery. Rinse the entire area with low pressure clear water.

Cleaning should take place once a month or more often under extreme conditions. After batteries are clean and dry, the terminals should be coated with a commercially available protectant. **Aerosol containers of battery terminal protectant must be used with extreme care. Insulate the metal container to prevent the can from contacting the battery terminals.**

Battery Disposal

Lead-acid batteries are recyclable. Return whole scrap batteries to distributor, manufacturer or lead smelter for recycling. For neutralized spills, place residue in acid-resistant containers with absorbent material, sand or earth and dispose of in accordance with local, state and federal regulations for acid and lead compounds. Contact local and/or state environmental officials regarding disposal information.

MAINTENANCE PROCEDURES

Read all of this manual to become thoroughly familiar with this vehicle. Pay particular attention to all Notices, Cautions, Warnings, and Dangers.

Prolonged Storage

During periods of storage, the batteries will need attention to keep them maintained and prevent discharge.

In winter conditions, the battery must be fully charged to prevent the possibility of freezing. A fully charged battery will not freeze in temperatures above -75°F (-60°C). Although the chemical reaction is slowed in cold temperatures, the battery must be stored fully charged. The on-board charger supplied with your vehicle may be left connected to an active AC power source for prolonged periods to maintain the proper state of charge for the battery pack.

REGISTRATION AND WARRANTY



A Textron Company

To register your vehicle, go to <http://www.ezgo.com>

For warranty information, go to <http://www.ezgo.com>

For Genuine E-Z-GO Parts & Accessories, contact your local E-Z-GO dealer or visit www.shopezgo.com



TITLE

PAGE NO.

A

Accelerator Pedal.....	41
Accessory Plug, 12V	43
At Each Charging Cycle	101
Axle, Rear	91

B

Batteries	98
Batteries, Cleaning	109
Battery Charging	106
BATTERY CHARGING AND MAINTENANCE.....	98
Battery Compartment.....	51
Battery Disposal	111
BATTERY PROLONGED STORAGE	iii
Battery Removal and Installation.....	107



A Textron Company

INDEX

TITLE	PAGE NO.
BEFORE INITIAL USE	59
Belt Operation, Seat	17
Belts - Front Seat	47
Belts - Rear Seat	49
Brake Light (Overhead)	49
Brake Light Bulb Replacement, Taillight.....	83
Brake Light/Turn Signal	49
Brake Master Cylinder	51, 91
Brake Pedal	41
Brake, Parking	38, 68
Braking, Pedal-Up	67
Braking, Regenerative	67
Bulb Replacement, Headlight	81
BULB REPLACEMENT, LIGHT	81
Bulb Replacement, Taillight/Brake Light	83
Bulb Replacement, Turn Signal	82



TITLE

PAGE NO.

C

CAPACITIES AND REPLACEMENT PARTS	93
CARE, VEHICLE CLEANING AND	73
CAUTIONS, WARNINGS, AND DANGERS, NOTICES.....	4
Charger Receptacle, On-board	51
Charger, On-board with DC to DC Converter	51
CHARGER, ON-BOARD WITH DC TO DC CONVERTER	61
Charger, Understanding the	62
CHARGING AND MAINTENANCE, BATTERY	98
Charging, Battery	106
CLEANING AND CARE, VEHICLE	73
Cleaning Batteries.....	109
Cleaning, Vehicle	73
Coasting	69



A Textron Company

INDEX

TITLE	PAGE NO.
Compartment, Battery	51
Converter, DC to DC, with On-board Charger	51
Cup Holder.....	45
Cycle, At Each Charging	101

D

DANGERS, NOTICES, CAUTIONS, WARNINGS, AND	4
DEFECTS, REPORTING SAFETY	18
Direction Selector. Key Switch.....	41
DC to DC Converter, On-board Charger with	51
DC TO DC CONVERTER, ON-BOARD CHARGER WITH	61
Disable Feature, High Pedal	68
Disposal, Battery	111
Driving, Starting and	68



TITLE	PAGE NO.
E	
Electrolyte Level and Water	102
Error and Warning Codes.....	92
F	
Feature, High Pedal Disable	68
FEATURES	37
FOUR-PASSENGER SPECIFICATIONS, 2Five	27
Front Seats.....	47
Front Turn Signals.....	47
G	
GENERAL	3
General Information.....	37
GENERAL OPERATION.....	8
Glove Box, Locking	45
Grab Handle - Front Passenger	47
Grab Handle - Rear Passenger.....	49



A Textron Company

INDEX

TITLE	PAGE NO.
H	
Handles, Grab - Front Passenger	47
Handles, Grab - Rear Passenger	49
Hardware	92
Hauling.....	84
Hazard Switch, Turn Signal	45
Headlight Bulb Replacement	81
Headlamps.....	47
Headlight Switch	43
High Pedal Disable Feature.....	68
High/Low Speed Switch.....	41
Hill, Starting Vehicle on a	69
Hip Restraint - Front	47
Holder, Cup	45
Holder, License Plate.....	49
Horn	41

**TITLE****PAGE NO.****I**

IDENTIFICATION NUMBER (VIN), VEHICLE	57
Information, General	37
INITIAL USE, BEFORE	59
Inspection, Tire.....	91
Installation, Battery Removal and	107
Installation, Wheel	80
Instructions, Maintenance	64

K

Key Switch/Direction Selector	41
-------------------------------------	----



A Textron Company

INDEX

TITLE	PAGE NO.
L	
LABELS AND PICTOGRAMS	19
Labels and Pictograms	69
Level and Water, Electrolyte	102
License Plate Holder.....	49
Lifting the Vehicle	76
Light (Overhead), Brake	49
LIGHT BULB REPLACEMENT.....	81
Light Bulb Replacement, Head	81
Light Bulb Replacement, Taillight/Brake	83
Light/Turn Signal, Brake	49
Locking Glove Box	45
Low Speed Switch, High.....	41

**TITLE****PAGE NO.****M**

MAINTENANCE	13
Maintenance Instructions	64
MAINTENANCE, BATTERY CHARGING AND	98
MAINTENANCE, ROUTINE	91
MAINTENANCE, SERVICE AND	89
Master Cylinder, Brake	51, 91
Meter, State of Charge	43
Mirror, Rear View	45
Mirrors, Side View	45
Monthly	101

N

NOTICES, CAUTIONS, WARNINGS, AND DANGERS	4
NUMBER (VIN), VEHICLE IDENTIFICATION	57



A Textron Company

INDEX

TITLE	PAGE NO.
O	
Odometer.....	43
On-board Charger with DC to DC Converter.....	51
ON-BOARD CHARGER WITH DC TO DC CONVERTER.....	61
On-board Charger Receptacle.....	51
OPERATING THE VEHICLE.....	65
OPERATION, GENERAL.....	8
Operation, Seat Belt.....	17
P	
Parking Brake.....	38, 68
PARTS, CAPACITIES AND REPLACEMENT.....	93
Pedal Disable Feature, High.....	68
Pedal, Accelerator.....	41



TITLE	PAGE NO.
Pedal, Brake	41
Pedal-Up Braking	67
PERIODIC SERVICE SCHEDULE.....	95
PICTOGRAMS, LABELS AND	19
Pictograms, Labels and	69
Plate Holder, License	49
Plug, 12V Accessory	43
Power Loss, Total, In Case of	85
Prolonged Storage	112
PROLONGED STORAGE, BATTERY	iii



A Textron Company

INDEX

TITLE	PAGE NO.
R	
Rear Axle.....	91
Rear Restraints.....	49
Rear Seat.....	49
Rear Storage Compartment.....	49
Rear View Mirror.....	45
Receptacle, On-board Charger.....	51
Regenerative Braking.....	67
REGISTRATION AND WARRANTY.....	113
Release Handle, Rear Storage Compartment.....	49
Removal and Installation, Battery.....	107
REPAIR.....	75
Repair, Tire.....	79
REPLACEMENT PARTS, CAPACITIES AND.....	93
Replacement, Headlight Bulb.....	81



TITLE	PAGE NO.
REPLACEMENT, LIGHT BULB	81
Replacement, Turn Signal Bulb	82
Replacement, Taillight/Brake Light Bulb	83
REPORTING SAFETY DEFECTS	18
Restraint - Front, Hip	47
Restraints, Rear	49
ROUTINE MAINTENANCE	91
Run/Tow Switch	51

S

SAFETY DEFECTS, REPORTING	18
SCHEDULE, PERIODIC SERVICE	95
Seat Belt Operation	17
SEAT BELTS.....	15
Seat Belts - Front	47



A Textron Company

INDEX

TITLE	PAGE NO.
Seat Belts - Rear	49
Seat, Rear	49
Seats, Front	47
Selector, Key Switch/Direction.....	41
SERIAL NUMBER LOCATION	55
SERVICE AND MAINTENANCE	89
SERVICE SCHEDULE, PERIODIC	95
Side View Mirrors.....	45
Signal Bulb Replacement, Turn	82
Signal, Brake Light/Turn	49
Signal/Hazard Switch, Turn	45
Signals, Front Turn	47
SPECIFICATIONS, 2Five FOUR-PASSENGER	27
SPECIFICATIONS, 2Five TWO-PASSENGER	25
Speed Switch, High/Low	41
Speedometer	43



TITLE	PAGE NO.
Starting and Driving.....	68
Starting Vehicle on a Hill	69
State of Charge Meter	43
Steering Wheel.....	45
Storage Compartment, Rear	49
STORAGE, BATTERY PROLONGED	iii
Storage, Prolonged	112
Switch (optional), Windshield Wiper	45
Switch, Headlight	43
Switch, High/Low Speed	41
Switch, Run/Tow	51
Switch, Turn Signal/Hazard	45
Switch/Direction Selector, Key	41



A Textron Company

INDEX

TITLE	PAGE NO.
T	
Taillight/Brake Light Bulb Replacement.....	83
Tire Inspection.....	91
Tire Repair.....	79
TIRES, WHEELS AND	78
Top and Windshield.....	70
Tow Switch, Run.....	51
Total Power Loss, In Case of.....	85
TRANSPORTING VEHICLE.....	84
Turn Signal Bulb Replacement.....	82
Turn Signal, Brake Light.....	49
Turn Signal/Hazard Switch	45
Turn Signals, Front	47
TWO-PASSENGER SPECIFICATIONS, 2Five	25



TITLE

PAGE NO.

U

Understanding the Charger.....	62
USE, BEFORE INITIAL	59

V

Vehicle Cleaning	73
VEHICLE CLEANING AND CARE	73
VEHICLE DATA PLATE	58
VEHICLE IDENTIFICATION NUMBER (VIN)	57
Vehicle on a Hill, Starting	69
Vehicle, Lifting the	76
VEHICLE, OPERATING THE	65
VEHICLE, TRANSPORTING	84
VENTILATION.....	14



A Textron Company

INDEX

TITLE	PAGE NO.
W	
WARNINGS, AND DANGERS, NOTICES, CAUTIONS	4
WARRANTY, REGISTRATION AND	113
Water, Electrolyte Level and	102
Wheel Installation	80
Wheel, Steering	45
WHEELS AND TIRES	78
Windshield Wiper (optional).....	47
Windshield Wiper Switch (optional)	45
Windshield, Tope and	70
Wiper (optional), Windshield	47
Wiper Switch (optional), Windshield	45



ISO 9001
ISO 14001

BUREAU VERITAS
Certification



Read all this manual to become thoroughly familiar with this vehicle.
Pay particular attention to all notes, cautions and warnings.

1451 Marvin Griffin Road, Augusta, GA 30906
(800) 241-5855 | Fax (706) 796-4540 | www.ezgo.com
e-mail: ezgo@textron.com | ©2010 E-Z-GO Division of Textron Inc.



A Textron Company