

OWNER'S MANUAL & SERVICE GUIDE

Starting Model Year 2004



ST4x4

EZGO
A Textron Company

MANUAL INFORMATION

For any questions on material contained in this manual, contact an authorized representative for clarification.

Read and understand all labels located on the vehicle. Always replace any damaged or missing labels. See APPENDIX A.

On steep hills it is possible for vehicles to coast at greater than normal speeds encountered on a flat surface. To prevent loss of vehicle control and possible serious injury, speeds should be limited to no more than the maximum speed on level ground. See GENERAL SPECIFICATIONS. Limit speed by applying the service brake.

Catastrophic damage to the drive train components due to excessive speed may result from driving the vehicle above specified speed. Damage caused by excessive speed may cause a loss of vehicle control, is costly, is considered abuse and will not be covered under warranty.

Be sure that this manual remains as part of the permanent service record should the vehicle be sold.

Throughout this guide, **NOTE**, **CAUTION** and **WARNING** will be used.

NOTE Indicates a condition that should be observed.

CAUTION Indicates a condition that may result in damage to the vehicle.

WARNING Indicates a hazardous condition which could result in severe injury or death.

Observe these notes, cautions, and warnings. Be aware that servicing a vehicle requires mechanical skill and a regard for conditions that could be hazardous. Improper service or repair may damage the vehicle or render it unsafe.

WARNING *Battery posts, terminals and related accessories contain lead and lead compounds. Wash hands after handling.*

Engine exhaust from this product contains chemicals known,

in certain quantities, to cause cancer, birth defects, or other reproductive harm.

NOTE *The exhaust emissions of this vehicle's engine complies with regulations set forth by the Environmental Protection Agency (EPA) of the United States of America (USA) at time of manufacture. Significant fines could result from modifications or tampering with the engine, fuel, ignition or air intake systems.*

NOTE *This spark ignition system meets all requirements of the Canadian Interference-Causing Equipment Regulations.*

Ce système d'allumage par étincelle de véhicule respecte toutes les exigences du Règlement sur le matériel brouilleur du Canada.

Read and understand the following warnings before attempting to operate the vehicle:

WARNING *To prevent personal injury or death, observe the following:*

When vehicle is to be left unattended, engage park brake, move direction selector to forward, turn key to 'OFF' position and remove key.

Drive vehicle only as fast as terrain and safety considerations allow. Consider the terrain and traffic conditions. Consider environmental factors which effect the terrain and the ability to control the vehicle.

(Continued on inside of rear cover)

OWNER'S MANUAL & SERVICE GUIDE

ST 4X4

E-Z-GO Division of TEXTRON, Inc. reserves the right to make design changes without obligation to make these changes on units previously sold and the information contained in this manual is subject to change without notice.

E-Z-GO Division of TEXTRON, Inc. is not liable for errors in this manual or for incidental or consequential damage that result from the use of material in this manual.

CUSTOMER SERVICE DEPARTMENT IN USA PHONE: 1-800-241-5855 FAX: 1-800-448-8124
OUTSIDE USA PHONE: 010-1-706-798-4311 FAX: 010-1-706-771-4609
E-Z-GO DIVISION OF TEXTRON, INC., P.O. BOX 388 AUGUSTA, GEORGIA 30903-0388 USA

GENERAL INFORMATION

To obtain a copy of the limited warranty applicable to the vehicle, call or write a local Distributor, authorized Branch or the Warranty Department with vehicle serial number and manufacture date code.

The use of non Original Equipment Manufacturer (OEM) approved parts may void the warranty.

Tampering with or adjusting the governor to permit vehicle to operate at above factory specifications will void the vehicle warranty.

When servicing engines, all adjustments and replacement components must be per original vehicle specifications in order to maintain the United States of America Federal and State emission certification applicable at the time of manufacture.

BATTERY PROLONGED STORAGE

All batteries will self discharge over time. The rate of self discharge varies depending on the ambient temperature and the age and condition of the battery.

A fully charged battery will not freeze in winter temperatures unless the temperature falls below -75° F (-60° C).

TABLE OF CONTENTS

TITLE	PAGE
MANUAL INFORMATION.....	Inside Front Cover
NOTES.....	i
SAFETY INFORMATION.....	2-1
WELCOME	3-1
BEFORE INITIAL USE	3-2
CAPABILITIES	3-3
Terrain	3-3
Vehicle Capacity	3-3
Modifications To Vehicle	3-4
Common Sense Operation	3-4
RUN-IN	3-5
SERVICE BRAKE PEDAL	3-6
PARK BRAKE	3-7
CHOKER	3-8
IGNITION SWITCH	3-9
DIRECTION SELECTOR	3-10
2WD/4WD SELECTOR	3-11
DIFFERENTIAL LOCK	3-12
ACCELERATOR	3-13
FUEL	3-14
LOW OIL PRESSURE INDICATOR LIGHT	3-15
LIGHT SWITCHES	3-16
HORN	3-17
12 VOLT POWER OUTLET	3-18
STARTING AND DRIVING	3-19

TITLE	PAGE
STARTING VEHICLE ON A HILL	3-20
COASTING	3-21
LOAD BED	3-22
Tailgate	3-22
Manual Lift Bed	3-23
Electric Lift Bed Operation	3-24
WINCH	3-25
Winch Applications	3-25
Mounting Of Winch	3-27
Operation Of Winch	3-28
TOP AND WINDSHIELD	3-30
TRANSPORTING VEHICLE	3-31
Towing	3-31
Hauling	3-31
TOWING A TRAILER	3-32
LIFTING THE COWL	3-33
DATA LABEL LOCATION	3-34
MAINTENANCE	3-35
PERIODIC SERVICE SCHEDULE	3-36
BASIC SERVICE PARTS	3-39
LIFTING THE VEHICLE	3-40
OIL	3-41
OIL LEVEL CHECK	3-42
OIL CHANGE	3-43
OIL FILTER CHANGE	3-44
SPARK PLUGS	3-45

TABLE OF CONTENTS

TITLE	PAGE
ALTERNATOR BELT	3-46
Adjusting Belt	3-46
AIR CLEANER	3-47
Canister Type Air Cleaner	3-47
Cleaning Air Filter Element	3-47
FUEL FILTER	3-48
LUBRICATION POINTS	3-49
BATTERY	3-50
BATTERY CLEANING	3-51
JUMP STARTING	3-52
VEHICLE CLEANING AND CARE	3-53
Cleaning	3-53
Care Products	3-54
LABELS AND PICTOGRAMS	3-55
WHEELS AND TIRES	3-56
Tire Inspection and Inflation	3-56
Removal and Installation	3-57
LIGHT BULB REPLACEMENT	3-58
FUSE REPLACEMENT	3-59
SPARK ARRESTER	3-60
PROLONGED STORAGE	3-61
FRONT AND REAR AXLES	3-62
Checking Lubricant Level	3-62
TRANSFER CASE	3-63
Checking Lubricant Level	3-63
AIR INTAKE AND COOLING FINS	3-64

TITLE	PAGE
BRAKES	3-65
Periodic Brake Test for Hydraulic Brakes	3-65
HARDWARE	3-66
CAPACITIES	3-67
GENERAL SPECIFICATIONS	4-1
LABELS AND PICTOGRAMS	APPENDIX A

SAFETY INFORMATION

Read all of manual to become thoroughly familiar with this vehicle. Pay particular attention to all Notes, Cautions and Warnings

The Owner's Manual and Service Guide has been designed to assist in maintaining the vehicle in accordance with procedures developed by the manufacturer. Adherence to these procedures and trouble-shooting tips will ensure the best possible service from the product. To reduce the chance of personal injury and/or property damage, the following instructions must be carefully observed:

GENERAL

Many vehicles are used for a variety of tasks beyond the original intended use of the vehicle; therefore, it is impossible to anticipate and warn against every possible combination of circumstances that may occur.

Good common sense and prudent driving practices do more to prevent accidents and injury than all of the warnings and instructions combined. The manufacturer strongly suggests that the owner-operator read this entire Owner's Manual and Service Guide paying particular attention to the CAUTIONS and WARNINGS contained therein. It is further recommended that other operators be encouraged to do the same.

If you have any questions, contact your closest representative or write to the address on the back cover of this publication, Attention: Product Service Department.

- The manufacturer is not liable for errors in this manual or for incidental or consequential damages that result from the use of the material in this manual.
- The manufacturer reserves the right to make design changes without obligation to make these changes on units previously sold and the information contained in this manual is subject to change without notice.
- This vehicle conforms to the current applicable standard for safety and performance requirements.
- These vehicles are designed and manufactured for off-road use. They do not conform to Federal Motor Vehicle Safety Standards of the United States of America (USA) and are not equipped for operation on public streets. Some communities may permit these vehicles to be operated on their streets on a limited basis and in accordance with local ordinances.
- Vehicle capacity is limited to a maximum of two persons.

- Never modify the vehicle in any way that will alter the weight distribution of the vehicle, decrease its stability or increase the speed beyond the factory specification. Such modifications can cause serious personal injury or death. Modifications that increase the speed and or weight of the vehicle will extend the stopping distance and may reduce the stability of the vehicle. Do not make any such modifications or changes. The manufacturer prohibits and disclaims responsibility for any such modifications or any other alteration which would adversely affect the safety of the vehicle.

GENERAL OPERATION

The following information is very important in the operation of the vehicle. The operator should read, understand and **always** observe the following:

- Use the vehicle in a responsible manner and maintain the vehicle in safe operating condition.
- Read, understand and observe all warnings and operation instruction labels affixed to the vehicle.
- Follow all safety rules established in the area where the vehicle is being operated.
- Reduce speed to compensate for unsuitable terrain or conditions.
- Apply service brake to control speed on steep grades.
- Reduce speed in wet areas.
- Use extreme caution and reduced speed when approaching sharp or blind turns.
- Use extreme caution and reduced speed when driving over loose terrain.
- Use extreme caution and reduced speed in areas where pedestrians are present.

MAINTENANCE

The following information is very important in the maintenance of the vehicle. The person performing maintenance procedures should read, understand and **always** observe the following:

- Maintain your vehicle in accordance with the manufacturer's periodic service

SAFETY INFORMATION

Read all of manual to become thoroughly familiar with this vehicle. Pay particular attention to all Notes, Cautions and Warnings

schedule.

- Ensure that mechanics performing repairs are trained and qualified to do so.
- Follow the manufacturer's directions if you perform maintenance on your own vehicle. Be sure to disable the vehicle before performing any maintenance. Disabling includes removing the key from the key switch and removal of a battery wire.
- Insulate any tools used within the battery area in order to prevent sparks or battery explosion caused by shorting the battery terminals or associated wiring. Remove the battery or cover exposed terminals with an insulating material.
- Check the polarity of each battery terminal and be sure to rewire the battery correctly.
- Use specified replacement parts. Never use replacement parts of lesser quality.
- Use only tools recommended by the manufacturer.
- Determine that tools and procedures not specifically recommended by the manufacturer will not compromise the safety of personnel nor jeopardize the safe operation of the vehicle.
- Support the vehicle using wheel chocks and jack stands. Never get under a vehicle that is supported by a jack. Lift the vehicle in accordance with the manufacturer's instructions.
- Never attempt to perform vehicle maintenance in an area where exposed flame is present or persons are smoking.

- Be aware that a vehicle that is not performing as designed is a potential hazard and must not be operated until inspected and repaired.
- The manufacturer cannot anticipate all dangerous situations. People attempting to maintain or repair the vehicle must have the skill and experience to recognize and protect themselves from potential dangerous situations. These situations could result in severe personal injury or death and damage to the vehicle. Use extreme caution and if unsure as to the potential for injury refer the repair or maintenance to a qualified mechanic.

- Test drive the vehicle after any repairs are made or maintenance procedures performed to assure the vehicle is safe to return to service. All tests must be conducted in a safe area that is free of both vehicular and pedestrian traffic.
- Replace damaged or missing warning, caution or information labels.
- Keep complete records of the maintenance history of the vehicle.

VENTILATION

- Always store gasoline vehicles in a well ventilated area to prevent gasoline fumes from accumulating.
- Never fuel a vehicle in an area that is subject to flame or spark. Pay particular attention to natural gas or propane water heaters and furnaces.
- Never work around or operate a vehicle in an environment that does not ventilate exhaust gases from the area. Carbon monoxide is a dangerous gas that can cause unconsciousness and is potentially lethal.

WELCOME

Read all of manual to become thoroughly familiar with this vehicle. Pay particular attention to all Notes, Cautions and Warnings

Thank you for purchasing this utility vehicle. Before driving vehicle, we ask you to spend some time reading this Owner's Manual and Service Guide and the Owner's Manual provided by Honda Motor Co., Ltd. These manuals contain information to assist you in safe operation of vehicle. They will also assist you in maintaining vehicle. Some illustrations may show items that are optional.

Most service procedures in this guide can be accomplished using common automotive hand tools. Otherwise, contact your service representative to schedule maintenance performed by a technician. Any servicing must be done per the Periodic Service Schedule found in this manual and the Maintenance Schedule found in the engine manual.

Service Parts Manuals, Technician's Repair and Service Manuals and engine Repair Manuals are available from a local Distributor, an authorized Branch or the Service Parts Department. When ordering parts or requesting information for your vehicle, provide vehicle model, serial number and manufacture date code.



Ref Int 1

BEFORE INITIAL USE

Read all of manual to become thoroughly familiar with this vehicle. Pay particular attention to all Notes, Cautions and Warnings

ITEM	SERVICE OPERATION
Seats	Remove protective plastic covering
Brakes	Check operation and brake fluid level
Tires	Check air pressure (see SPECIFICATIONS)
Fuel	Fill tank with correct fuel
Engine	Check oil level
Keys	Record key number and store in a safe location

Read, understand and follow safety label on driver side fender well (Ref Appendix A). Be sure you understand how to safely operate vehicle and its equipment.

Maintaining good performance depends, to a large extent, on owner/operator.



To reduce possibility of severe injury or death, do not use vehicle improperly such as engaging in horseplay or attempting to perform tasks for which

it is not designed.

This vehicle is a utility vehicle. It is NOT a toy or an all terrain vehicle (ATV).

Before new vehicle is put into operation, items shown in INITIAL SERVICE CHART must be performed.

Read all of manual to become thoroughly familiar with this vehicle. Pay particular attention to all Notes, Cautions and Warnings

Terrain



To reduce possibility of severe injury or death while driving, be aware of the following:

Environmental hazards such as steep slopes, overhanging limbs, etc.

Danger of fire when vehicle is operated over dry combustible organic material.

Vehicle is designed for: improved roads (not public highways), established trails, open terrain free from stumps, large rocks or holes, crossing water no deeper than 8 inches (20 cm).

Slow down when: traveling unfamiliar terrain, cresting a hill.

Be aware of hazards such as: steep slopes, overhanging limbs, danger of fire when vehicle is operated over dry combustible organic material.

On steep slopes: do not turn vehicle or stop and turn around, always travel straight up and down, control speed with service brake when going downhill.

Vehicle stopping distance increases: when driving on wet grass, dirt roads or loose surfaces, when crossing streams or bodies of water that soak the brakes. Remember to **lightly** apply brakes and use friction to dry braking surfaces.

Vehicle Capacity



To reduce possibility of severe injury or death due to the variety of ways the vehicle may be used, it is important the operator consider any potential hazards before use to prevent serious injury or death.

See GENERAL SPECIFICATIONS for load and seating capacity.

Never carry passengers in load bed.

The weight of driver and passenger plus any options or accessories must be deducted from total payload rating to determine load bed capacity.

Stopping distance increases as vehicle load increases.

Load weight can be misleading. Loads consisting of dry sand, fertilizer, sod, etc. will, when wet, grossly overload vehicle and increase potential for roll over and vehicle damage.

Towing a loaded trailer reduces capacity of vehicle load bed. See TOWING A TRAILER on page 3-32.

CAPABILITIES

Read all of manual to become thoroughly familiar with this vehicle. Pay particular attention to all Notes, Cautions and Warnings

Modifications To Vehicle



Changes to weight distribution or center of gravity may make vehicle unstable or prone to roll over which could result in injury or death to operator or

passenger.

Do not modify vehicle in any manner that will change weight distribution.

Changes to weight distribution or center of gravity may make it unstable or prone to roll over which could result in injury or death to operator or passenger.

Do not tamper with governor. It is set for maximum safe vehicle speed.

Do not tamper with exhaust system. It is matched with engine for optimum performance.

Removal of muffler or other modifications to exhaust system will: annoy others, not improve performance of vehicle, increase possibility of starting a fire.

Common Sense Operation



To reduce possibility of severe injury or death to operator, passenger or bystanders, do not operate vehicle improperly and/or irresponsibly.

If vehicle is operated improperly and/or irresponsibly, severe injury or death to operator, passenger or bystanders can occur.

All operators should possess a valid driver's license.

Children may not have the skill, judgement or strength to operate this or similar vehicles and should not be permitted to do so.

Alcohol, drugs and many over-the-counter medications reduce ability of driver to operate vehicle safely. Always review side effects of any medication with a doctor or pharmacist before operating vehicle.

Protective clothing and an approved motorcycle helmet are recommended for operator and passenger at all times.

Plan carefully before using vehicle to go significant distances over questionable terrain. Remember that a one hour drive may take many hours to walk out should vehicle run out of fuel or be stranded by becoming stuck on unsuitable terrain.

Respect private property and comply with all local laws and regulations governing use of utility vehicles.

RUN-IN

Read all of manual to become thoroughly familiar with this vehicle. Pay particular attention to all Notes, Cautions and Warnings

Check for oil or fuel leaks that could have developed in shipment from factory. Avoid full throttle starts and rapid acceleration until engine has achieved operating temperature.

All engines consume more oil than normal during the first hours of operation. As internal moving parts are run-in, oil consumption should gradually decrease until rate of consumption stabilizes.

Check oil level (Refer to page 3-42). Add oil if level on dipstick is at lower hole.

CAUTION

Do not overfill engine. Too much oil may cause smoking or allow oil to enter the air filter enclosure.

NOTE

Both the oil dipstick and fill cap must be in place before operating the engine. Failure to install the dipstick and fill cap will result in oil becoming contaminated and/or being discharged into the engine compartment.

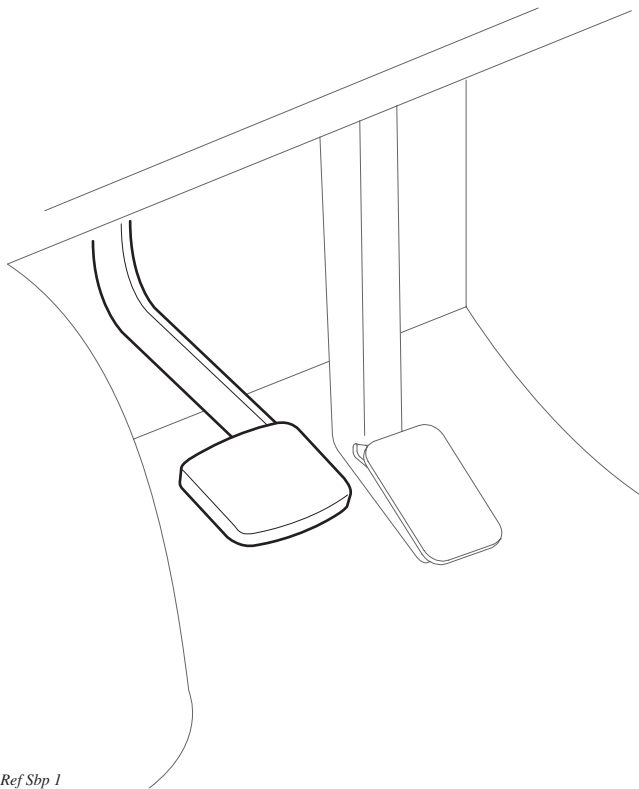
Oil should be changed, while engine is warm, at end of run-in period. See PERIODIC SERVICE SCHEDULE on page 3-36.

SERVICE BRAKE PEDAL

Read all of manual to become thoroughly familiar with this vehicle. Pay particular attention to all Notes, Cautions and Warnings

The service brake is a hydraulic front disc/rear drum brake system.

Push foot operated service brake pedal to activate wheel brakes, slowing or stopping vehicle.



Ref Sbp 1

PARK BRAKE

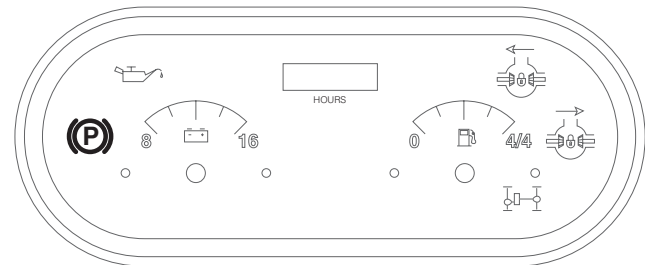
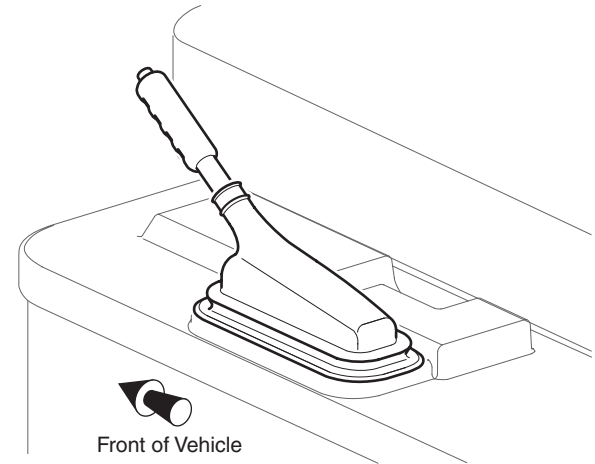
Read all of manual to become thoroughly familiar with this vehicle. Pay particular attention to all Notes, Cautions and Warnings

CAUTION Drive vehicle with park brake fully released. Failure to do so will prematurely wear rear brakes.

The park brake is a mechanical system using rear drum service brakes.

To engage, pull park brake handle up. An indicator light will illuminate in gauge cluster reminding operator to release park brake before driving.

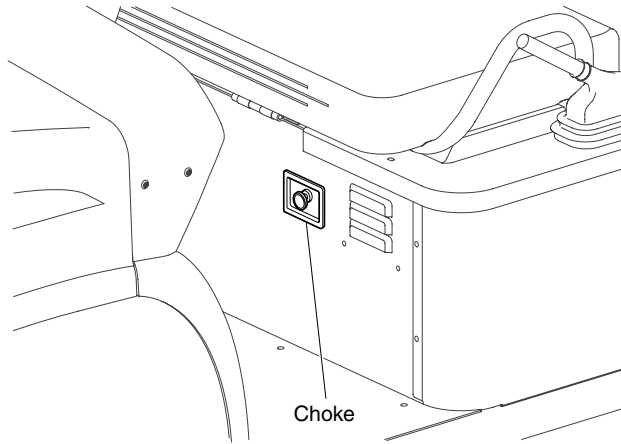
To disengage, pull up slightly and push in release button at end of handle, then fully lower park brake handle.



Ref Pbh 2

CHOKE

Read all of manual to become thoroughly familiar with this vehicle. Pay particular attention to all Notes, Cautions and Warnings



Starting a cold engine **may** require use of choke. To use, pull choke knob out and hold while starting engine. Once started and engine begins to warm, release choke knob.

CAUTION Do not allow starter to operate continuously for more than 10 seconds. Allow 30 seconds between starting attempts. If vehicle does not start on third attempt, turn key switch off, set park brake and determine cause of problem.



Ref Chk 4

IGNITION SWITCH

Read all of manual to become thoroughly familiar with this vehicle. Pay particular attention to all Notes, Cautions and Warnings

Ignition switch has three positions: 'OFF', 'ON' and 'START'.

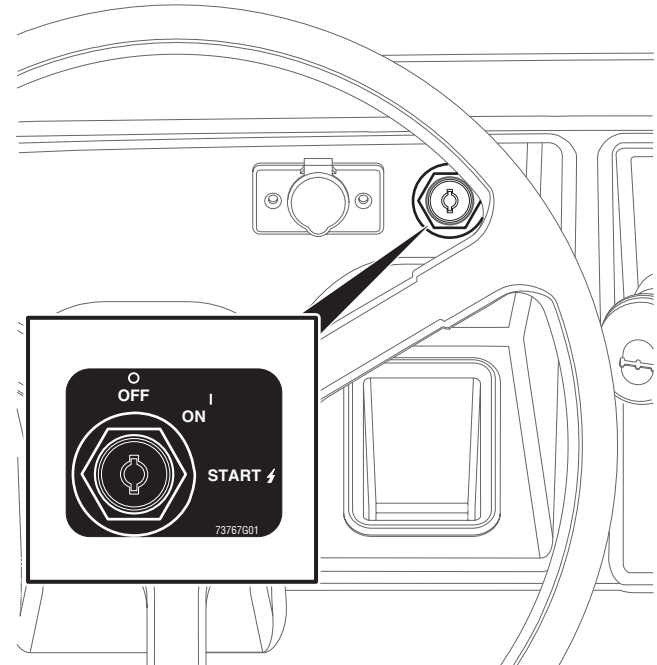
Insert key into switch and turn clockwise to 'ON' to enable starting system.

Continue to turn clockwise to "START" to activate starter.

Once engine starts, release key allowing return to 'ON'.

To prevent inadvertent operation of vehicle when left unattended, turn key to 'OFF' position and remove key.

NOTE *If vehicle is equipped with factory installed custom accessories, some accessories remain operational with key switch in 'OFF' position.*



Ref Kes 5

DIRECTION SELECTOR

Read all of manual to become thoroughly familiar with this vehicle. Pay particular attention to all Notes, Cautions and Warnings

CAUTION

To reduce possibility of drivetrain damage, vehicle must completely stop before moving direction selector.

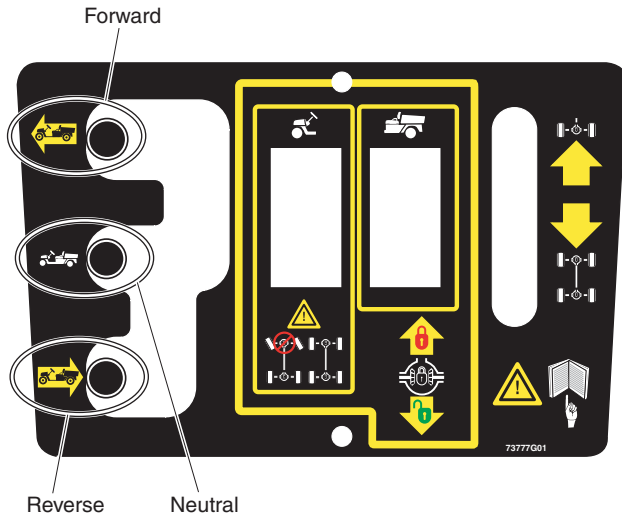
Direction selector offers choice of three positions: forward, neutral and reverse.

Selector must be in neutral to start engine.

Always bring vehicle to a complete stop before changing selection.

If equipped, a warning buzzer will sound when in reverse.

Place direction selector in forward and set park brake when leaving vehicle unattended.



2WD/4WD SELECTOR

Read all of manual to become thoroughly familiar with this vehicle. Pay particular attention to all Notes, Cautions and Warnings

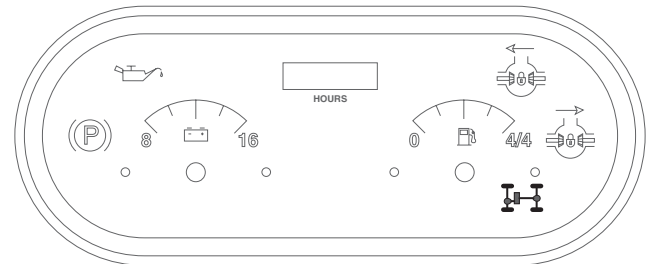
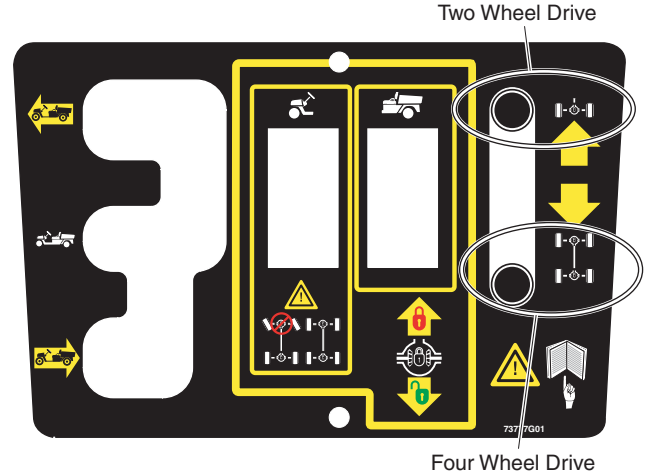
CAUTION To reduce possibility of drivetrain damage, vehicle must completely stop before switching between two wheel and four wheel drive.

This lever allows choice of two wheel or four wheel drive.

Always bring vehicle to a complete stop before changing selection.

When four wheel drive is selected, an indicator light in gauge cluster will illuminate to verify engagement.

Vehicle should be left in two wheel drive when unattended.



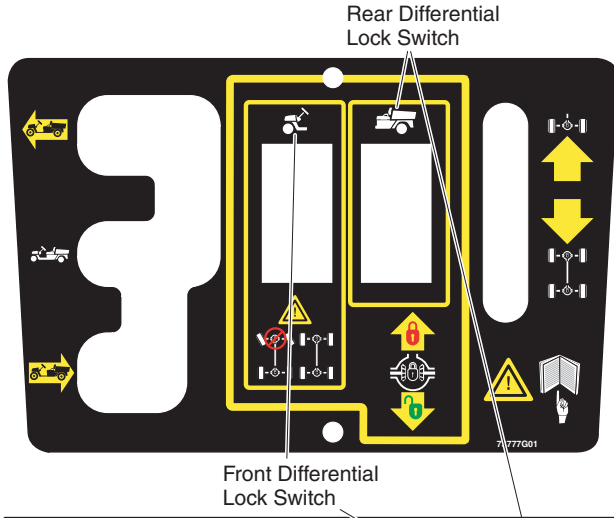
Ref 4wd 1

DIFFERENTIAL LOCK

Read all of manual to become thoroughly familiar with this vehicle. Pay particular attention to all Notes, Cautions and Warnings



To reduce possibility of severe injury or death from loss of control while vehicle is in motion, do not engage front differential lock while turning steering wheel. Lock engagement may abruptly force steering wheel to center causing loss of grip on wheel.



Front and rear differentials are equipped with electrically actuated locks. With a differential **unlocked**, if one tire loses traction, the vehicle will likely become stuck. With a differential **locked**, power is distributed to both tires at all times and greatly increases traction. Locks are not intended to be engaged at all times. They are intended to free or prevent vehicle from being stuck as terrain demands, ideally for short runs at slow speeds. Always disengage differential locks as terrain and conditions allow.



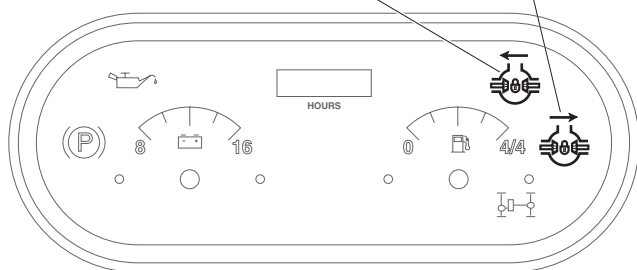
Differential locks should only be used when additional traction is required. Continued use of rear differential lock may cause excessive wear to tires. Continued use of front differential lock may increase steering effort.



Vehicle must be completely stopped before engaging or disengaging differential lock. Failure to stop may damage differential.

To engage rear differential lock, stop vehicle and push upper portion of rear differential lock switch. To engage front and rear differential lock, stop vehicle and push upper portion of both differential lock switches. Indicator lights in gauge cluster illuminate to remind operator when locks are engaged.

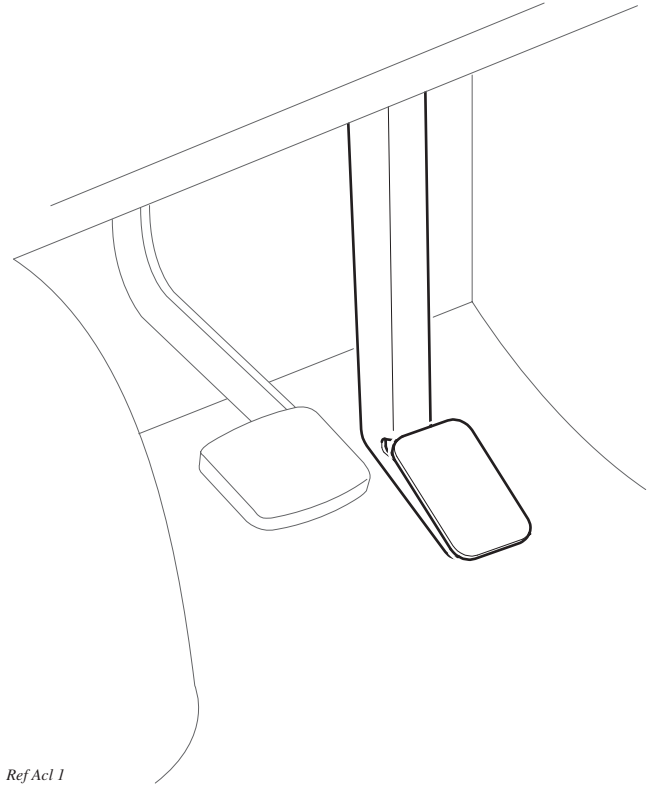
To disengage differential locks, stop vehicle and push lower portion of switches. After unlocking, the differential may remain locked if driving is resumed in a straight line. This is a normal occurrence caused by pressure remaining against the gears and not allowing the locking mechanism to release. To avoid this, simply turn vehicle as acceleration begins or accelerate in reverse.



ACCELERATOR

Read all of manual to become thoroughly familiar with this vehicle. Pay particular attention to all Notes, Cautions and Warnings

With engine running, push accelerator pedal to accelerate in direction selected. Release pedal to slow vehicle and engine will idle. To stop vehicle quickly, apply service brake.



Ref Acl 1

FUEL

Read all of manual to become thoroughly familiar with this vehicle. Pay particular attention to all Notes, Cautions and Warnings



To reduce possibility of severe injury or death from improper fuel handling:

Do not smoke near the fuel tank.

Do not refuel near open flame or electrical items, including cellular phones, which could produce a spark.

Never fill a gas can in the bed of a vehicle. Static discharge could ignite gasoline vapor and cause an explosion.

Always handle gasoline in a well ventilated area.

Always wear eye protection to protect against splashed fuel and fuel vapors.

Always allow adequate space for the expansion of gasoline. Leave at least 1" (2.5 cm) space below bottom of filler neck.

Inspect fuel cap, tank and other components for leaks or deterioration that could cause a hazardous condition.

Fuel cap is located on passenger side panel of vehicle beside seat. Fuel tank is located under passenger side of seat. Fill tank with fresh, clean, automotive grade gasoline. High altitude or heavy use/load applications may benefit from higher octane gasoline.

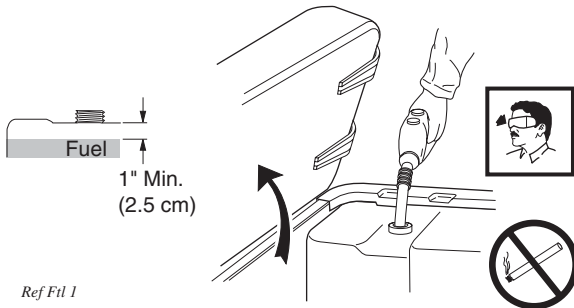
Do not use gasoline which contains Methanol.

CAUTION

Some fuels, called oxygenated or reformulated gasoline, are gasoline blended with alcohols or ethers. Excessive amounts of these blends can damage the fuel system or cause performance problems. If any undesirable operating symptoms occur, use gasoline with a lower percentage of alcohol or ether.

Do not overfill the fuel tank. Allow adequate space for the expansion of gasoline. Leave at least 1" (2.5 cm) space below bottom of filler neck.

An electric fuel gauge is located left of steering wheel in gauge cluster. It indicates amount of fuel in tank.



LOW OIL PRESSURE INDICATOR LIGHT

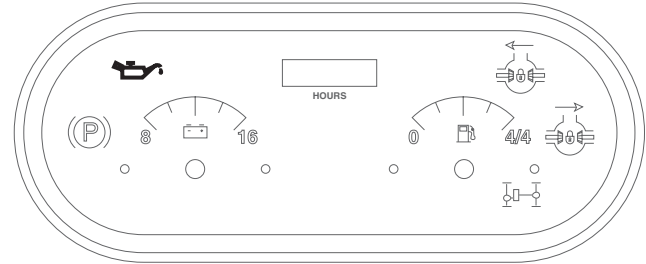
Read all of manual to become thoroughly familiar with this vehicle. Pay particular attention to all Notes, Cautions and Warnings

Low oil pressure indicator light is located in in gauge cluster at left of dash panel. Indicator light is activated if oil pressure drops below 1.5 psi (.11 kg/cm²). Check oil level (Refer to page 3-42). If oil level is between ADD and FULL mark on dipstick, a mechanical problem exists within engine and vehicle **must not be driven**. Contact a local Distributor or authorized Branch.

CAUTION

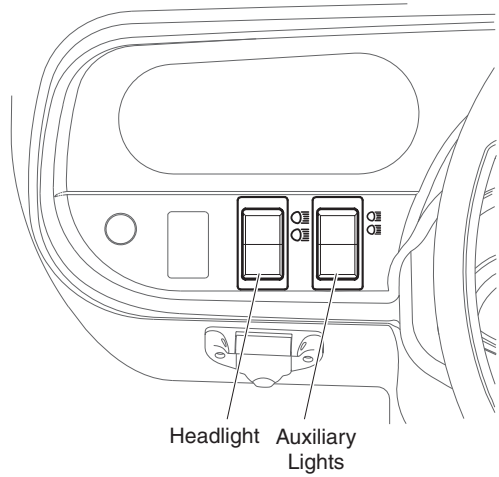
To reduce possibility of engine damage, do not operate engine until oil pressure is corrected. Do not overfill engine. Too much oil may cause smoking or allow oil to enter air filter enclosure.

If oil level is below ADD mark on dipstick, add oil to bring level to FULL mark. Drive vehicle a short distance and check oil pressure. If oil pressure light does not come on, continue to use vehicle.



LIGHT SWITCHES

Read all of manual to become thoroughly familiar with this vehicle. Pay particular attention to all Notes, Cautions and Warnings



Headlight switch is located to left of steering wheel on dash panel. Headlights operate independently of ignition switch.

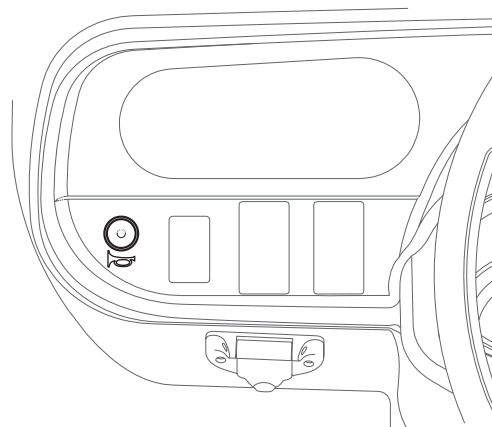
Auxiliary light switch is located to right of headlight switch. It operates auxiliary lights, if equipped, independently of headlights and ignition switch.

HORN

Read all of manual to become thoroughly familiar with this vehicle. Pay particular attention to all Notes, Cautions and Warnings

Horn is located under cowl.

Operate by pushing horn button located at left end of dash panel.

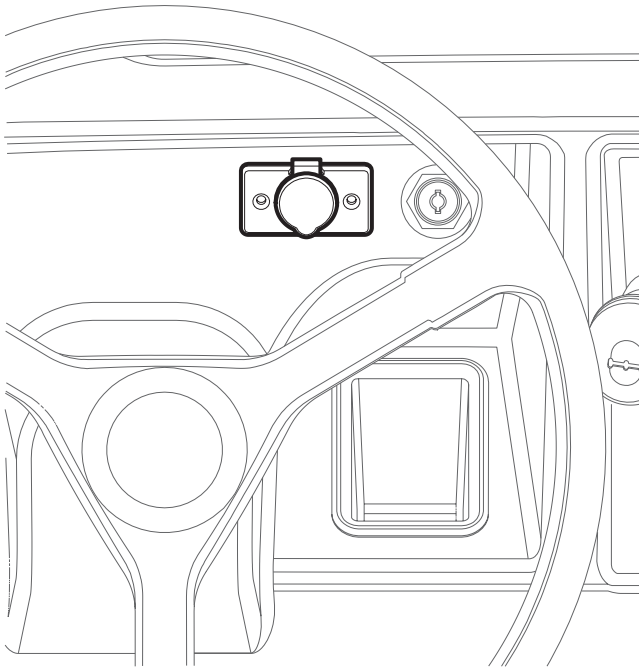


12 VOLT POWER OUTLET

Read all of manual to become thoroughly familiar with this vehicle. Pay particular attention to all Notes, Cautions and Warnings

CAUTION Overuse of accessories may drain battery and leave insufficient reserve to start vehicle.

A 12 volt power outlet, rated at 15 amps, is located left of ignition switch. It provides constant power for accessories equipped with a 12 volt plug.



STARTING AND DRIVING

Read all of manual to become thoroughly familiar with this vehicle. Pay particular attention to all Notes, Cautions and Warnings



To reduce possibility of roll-back which could result in severe injury or vehicle damage, do not release service brake until engine has started.

To operate vehicle:

- Apply service brake.
- Place direction selector in neutral.
- Insert key into ignition switch and turn it to 'ON' position.
- Apply choke if needed and turn key to 'START' position just long enough for engine to start.
- Release choke once engine runs smoothly.
- Place direction selector in forward or reverse.

NOTE

If equipped, a warning signal will sound while direction selector is in reverse.

- Release park brake.
- Release service brake and apply accelerator.
- When accelerator pedal is released, engine will idle.
- Apply service brake pedal to slow or stop vehicle.
- Move direction selector only after vehicle has completely stopped.

STARTING VEHICLE ON A HILL

Read all of manual to become thoroughly familiar with this vehicle. Pay particular attention to all Notes, Cautions and Warnings



To reduce possibility of roll-back which could result in severe injury or vehicle damage, do not release service brake until engine has started.

CAUTION

Do not hold vehicle on hill by using accelerator and engine. This will cause premature and excessive wear to drive train

components.

To reduce the possibility of permanent damage to the drive system, it is important to prevent excessive roll-back when starting the vehicle on a hill.

Release park brake while depressing accelerator with right foot and release the service brake by lifting left foot.

COASTING

Read all of manual to become thoroughly familiar with this vehicle. Pay particular attention to all Notes, Cautions and Warnings



To reduce possibility of severe injury or death from coasting at above recommended speeds, limit speed with service brake.

On steep hills, it is possible for the vehicle to coast at greater than normal speeds encountered on a flat surface. To reduce possibility of drivetrain damage or loss of vehicle control, speeds should be limited to no more than the maximum governed speed on level ground (see GENERAL SPECIFICATIONS). Limit speed by applying service brake.

LOAD BED

Read all of manual to become thoroughly familiar with this vehicle. Pay particular attention to all Notes, Cautions and Warnings

A manual lift bed is standard. An electric lift is optional.



To reduce possibility of severe injury or death, read, understand and follow Danger label affixed inside load bed. See Appendix A.

Failure to follow label may result in vehicle tipping over.

Operate vehicle with awareness of load.

Do not permit anyone to ride in load bed.

Before operating, verify no one is behind vehicle.

Never fill a gas can while it is in load bed. Static discharge could ignite gasoline vapor causing an explosion.

A load bed warning label is affixed to inside front of bed. See Appendix A. For safe operation of vehicle, this label must be understood.

See load bed warning label for maximum load. Load must be positioned in bed as far forward as possible, distributed in such a way that its center of gravity must not be higher than height noted on label, and secured.

Failure to follow these instructions may result in severe injury and/or vehicle damage resulting from rollover. Use extra care when operating loaded vehicle.

Do not permit anyone to ride in load bed.

Do not drive vehicle with load bed raised or tailgate unsupported.

Avoid backing up to the edge of a drop off, such as a loading dock or ravine. A misjudgment of distance or an unstable surface could result in vehicle falling backwards.

Before operating, verify no one is behind vehicle.

Always place a gas can on ground for filling. Never fill a gas can in load bed of vehicle. Built up static electricity could discharge during fueling process and ignite gasoline vapor.

Tailgate

To open tailgate, lift tailgate straight up with a sharp upward pull to lift out of the closed position and pivot out for open position. Maximum load is 100 lbs. (45 kg).

To remove tailgate, remove side cables from load bed and lower tailgate until it is straight down, lift tailgate straight up to remove from pins and remove from load bed. Assemble in reverse order.

Read all of manual to become thoroughly familiar with this vehicle. Pay particular attention to all Notes, Cautions and Warnings

Manual Lift Bed

⚠ WARNING ⚠

To reduce possibility of severe injury, exercise caution while manually lifting or lowering load bed. Fingers or other body parts could be trapped under fall-

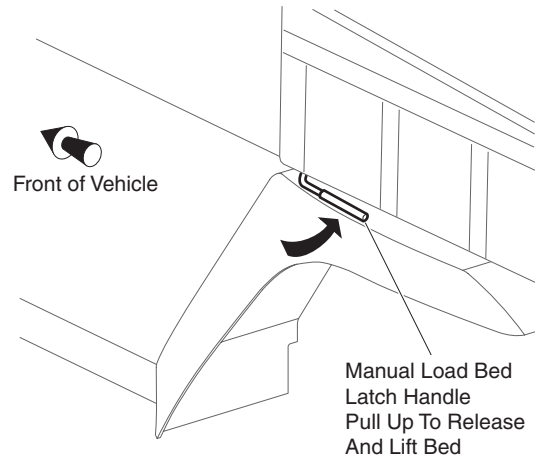
ing bed.

To raise manual lift bed, locate latch handle at front left side of bed, pull handle up with one hand to release and lift bed with other hand.

A gas strut located underneath will assist in raising bed when empty and will keep it raised when empty.

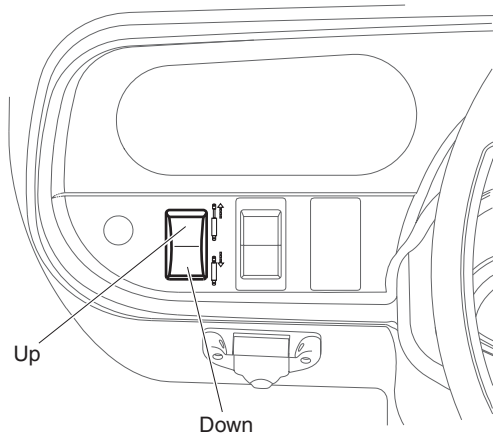
NOTE *Over time, the gas strut may allow the truck bed to slowly lower. If this condition is evident, replacement of gas strut is required.*

To lower manual lift bed, push down on bed until latch catches. **Be sure hands are not trapped by load bed.**



LOAD BED Cont.

Read all of manual to become thoroughly familiar with this vehicle. Pay particular attention to all Notes, Cautions and Warnings



Electric Lift Bed Operation



To reduce possibility of severe injury, exercise caution while lifting or lowering load bed. Fingers or other body parts could be trapped under bed.

The electric lift toggle switch is located at left side of dash panel. Push top part of switch to raise load bed and bottom part to lower.

Read all of manual to become thoroughly familiar with this vehicle. Pay particular attention to all Notes, Cautions and Warnings

An optional winch is available. Read, understand and follow all following information on operation and use of winch before attempting to operate it.

Winch Applications



To reduce possibility of severe injury or death, the following must be observed:

Have all persons and pets leave area while operating winch. Never allow anyone to remain in vehicle.

Make sure object to which cable is attached cannot be damaged or pulled over onto vehicle and it's occupants. If attaching winch to a dead tree, a section or limb could fall.

Do not pull at an angle. This will cause cable to pile up on one end, jamming and damaging winch. The winch cable could also break from being overstressed and strike someone. Pulling vehicle at an angle can cause damage to front suspension and may cause vehicle to overturn. When pulling vehicle, pull straight only.

If vehicle is being used as an anchor to winch a load, it should have park brake set and wheels chocked.

Never use winch to lift people or other overhead loads. The winch is not intended to be used in any hoisting operation.

Do not use winch to secure loads. Use a tie down designed for the job.

Do not apply shock loads to winch.

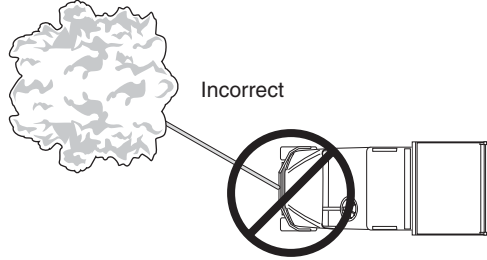
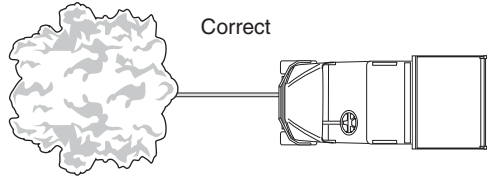
Do not attempt to modify or weld winch.

Rolling load capacity of winch decreases with steepness of slope.

Winch is designed for intermittent duty only. The electric motor should not be allowed to become excessively hot. If motor becomes uncomfortably hot to touch, stop and allow motor to cool.

WINCH Cont.

Read all of manual to become thoroughly familiar with this vehicle. Pay particular attention to all Notes, Cautions and Warnings



Ref Wps 2

Winch may be used for a number of purposes, including pulling vehicle if it loses traction on unsuitable terrain or becomes stuck or 'hung up' on an obstruction.

It is impossible to predict all conditions a winch could be used; therefore, the following warnings should not be considered as complete. Before operating winch, consider possible dangers and take precautions to protect yourself, your passenger and any bystanders.

When pulling vehicle with winch, pull straight only. **Do not permit cable to contact side of drum.**

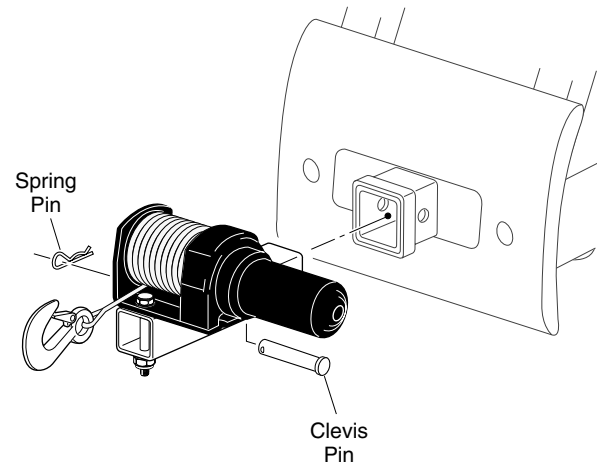
Read all of manual to become thoroughly familiar with this vehicle. Pay particular attention to all Notes, Cautions and Warnings

Mounting Of Winch

Winch can be mounted at front or rear of vehicle to accommodate different situations. At front, winch is mounted in receiver of frame below cowl. At rear, winch is mounted in receiver of frame below load bed.

Before moving winch, unplug winch connector from wire harness. To move winch from one end of vehicle to other, remove spring pin, pull out clevis pin and pull winch mount tube out of receiver. Move to opposite end of vehicle and install winch mount tube in receiver. Secure by inserting clevis pin and securing with spring pin. Plug winch connector into wire harness.

Winch shown mounted at front of vehicle



WINCH Cont.

Read all of manual to become thoroughly familiar with this vehicle. Pay particular attention to all Notes, Cautions and Warnings

Operation Of Winch



WARNING

To reduce possibility of severe injury or death, the following warnings must be observed before attempting to operate winch:

Always wear thick leather gloves when handling wire cable.

Replace frayed wire cable with a direct factory replacement only.

Never operate winch with less than five (5) full turns of cable around drum.

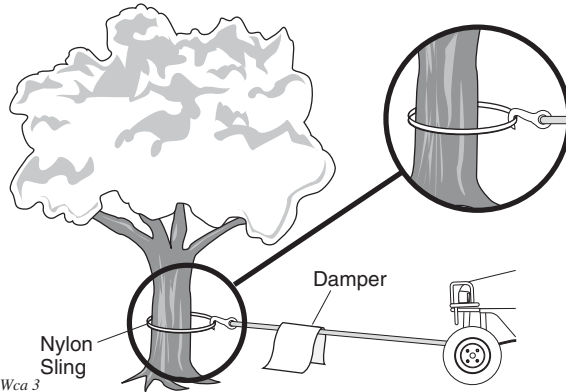
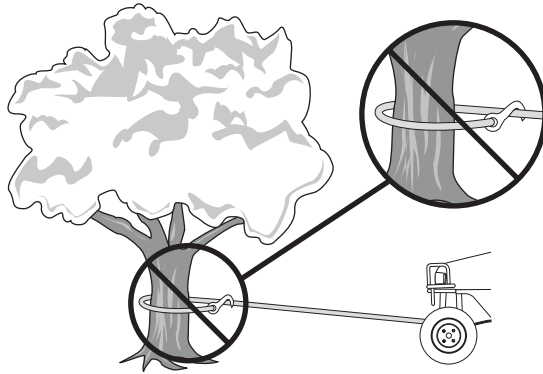
If winch motor stalls from overloading, do not continue applying power to winch. The wire cable may become overstressed.

Do not attempt to pull loads exceeding 1500 lbs. (680 kg).

To pull out cable, free spool clutch knob must be used. Pull out and rotate knob. If cable is under any load, clutch may not release easily. Jog out some cable to release tension and operate clutch. Pull out desired amount of cable and secure. Engage drum by rotating knob until it snaps in place. Never operate winch unless clutch is engaged.

To prevent damage to wire cable, never hook cable to itself. Always use a nylon sling.

Stay clear of winch, cable and cable hook. Place a heavy cloth, jacket or blanket over cable to act as a damper should cable break when operating winch.



WINCH Cont.

Read all of manual to become thoroughly familiar with this vehicle. Pay particular attention to all Notes, Cautions and Warnings

Remember that winch operation with engine off will drain battery and may leave insufficient power to start vehicle. Always let engine idle while using winch.

When operating winch, keep entire area in view.

Never release free spool clutch while cable is under load.

Never work around winch drum or cable under tension.

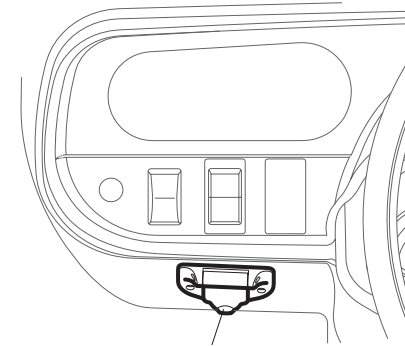
Unplug winch remote control before working on winch drum in order to prevent inadvertent operation.

Take up slack in cable slowly. Stop winch before cable becomes tight and inspect all attachments such as winch attachment, hook attachment, nylon sling (if required) and load attachment.

Plug winch remote control into receptacle located on dash panel.

To unwind cable, locate clutch knob on winch. Pull out knob and rotate 90° to lock out. Using handsaver bar, pull cable from winch drum. Leave at least five turns of cable on drum. Engage drum by turning clutch knob 90°, returning it to original position.

To wind cable, use handsaver bar to keep tension on cable while activating remote. When winding cable, make sure it winds tightly and evenly onto drum leaving no gaps that could cause premature wear to cable. When using winch under a load, operate remote control as far as possible from side of vehicle. Do not operate winch while sitting in passenger seat. Read 'Winch Applications' section before attempting to operate winch.



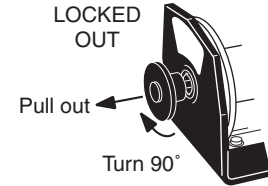
Winch Remote Plug

ENGAGED

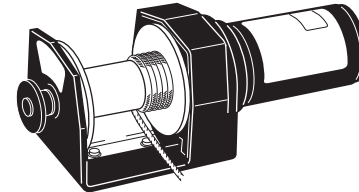


Clutch Knob

LOCKED
OUT



Turn 90°



Ref Wop 1

TOP AND WINDSHIELD

Read all of manual to become thoroughly familiar with this vehicle. Pay particular attention to all Notes, Cautions and Warnings



The sun top does not provide protection from roll over or falling objects.

The windshield does not provide protection from tree limbs or flying objects.

Sun top and windshield can only be used with OPS (Occupant Protection System) equipped vehicles.

Sun top and windshield provide some protection from the elements; however, they will not keep operator and passenger dry in a downpour.

The sun top has not been designed to provide roll over protection. In addition, the sun top does not protect against falling objects nor does the windshield protect against flying objects and tree limbs. Keep arms and legs inside of vehicle while it is moving.

TRANSPORTING VEHICLE

Read all of manual to become thoroughly familiar with this vehicle. Pay particular attention to all Notes, Cautions and Warnings

Towing



This vehicle is not designed to be towed.

It is recommended that vehicle be moved by placing entire vehicle on a trailer, flatbed truck or other suitable transport.

Hauling



To reduce possibility of severe injury or death while transporting vehicle:

Secure vehicle and contents.

Never ride on vehicle being transported.

Always remove windshield before transporting.

Maximum speed with sun top installed is 50 mph (80 kph).

If vehicle is to be transported at highway speeds, the sun top must be removed. When transporting vehicle below highway speeds, check for tightness of hardware and cracks in sun top at mounting points. Always remove windshield when transporting. Always verify vehicle and contents are adequately secured before transporting. Rated capacity of trailer or truck must exceed weight of vehicle (see GENERAL SPECIFICATIONS for vehicle weight) and load. Lock park brake and secure vehicle using ratchet tie downs.

TOWING A TRAILER

Read all of manual to become thoroughly familiar with this vehicle. Pay particular attention to all Notes, Cautions and Warnings



To reduce possibility of severe injury or death, trailer weight is never to exceed 1500 lbs. (680 kg).

CAUTION

To reduce possibility of vehicle damage, do not exceed 1500 lbs. (680 kg) trailer weight nor 150 lbs. (68 kg) tongue weight.

Vehicle has a receiver that accepts a standard 2" ball hitch. Trailer range of motion is limited by the ball and hitch and should not be used on rough trails or over objects such as logs, large rocks, holes, etc.

Never install non-factory baskets or extensions in hitch receivers (front or rear). Such items change performance characteristics of vehicle and result in unsafe handling, possible roll over or vehicle damage.

Remember a loaded trailer always reduces overall capacity of vehicle.

At no time should tongue weight be more than 150 lbs (68 kg).

The maximum weight that can be towed on a trailer is 1500 lbs. (680 kg).

LIFTING THE COWL

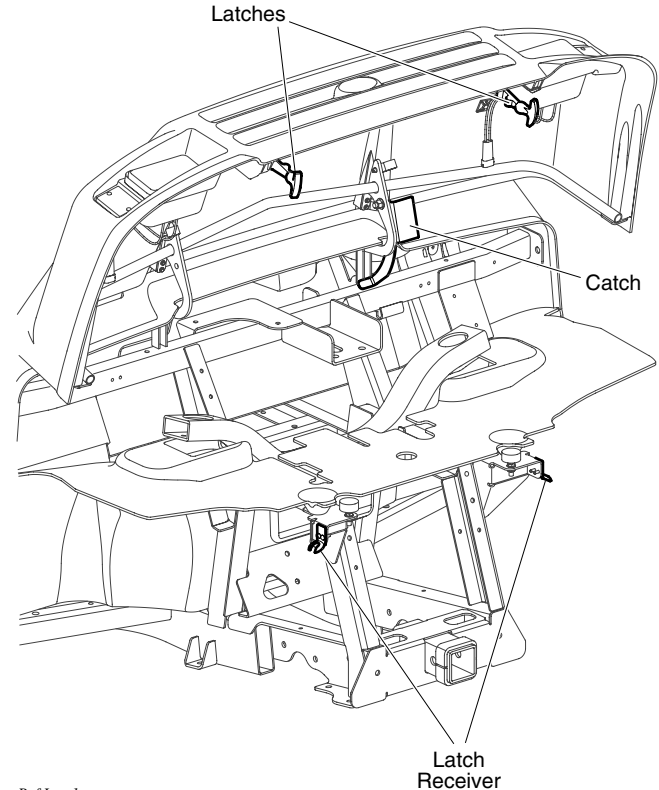
Read all of manual to become thoroughly familiar with this vehicle. Pay particular attention to all Notes, Cautions and Warnings

To lift cowl:

- Pull down and out on both latches to clear receivers mounted to frame
- Lift cowl up fully to allow catch to rest on crossmember and release cowl

To lower cowl:

- Lift cowl up fully with one hand to remove weight from catch
- Pull catch away from crossmember with other hand
- Lower cowl until catch clears crossmember and continue lowering cowl with both hands
- Once seated on rubber bumpers, secure with latches



Ref Lco 1

DATA LABEL LOCATION

Read all of manual to become thoroughly familiar with this vehicle. Pay particular attention to all Notes, Cautions and Warnings

Serial number label is located on body just below air intake louvers near choke knob.

Manufacture date code and repeat of serial number are on a data label located on frame crossmember under bed. See LOAD BED on page 3-22.

Design changes take place on an ongoing basis. In order to obtain correct components for vehicle, manufacture date code, serial number and vehicle model must be provided when ordering service parts.

Read all of manual to become thoroughly familiar with this vehicle. Pay particular attention to all Notes, Cautions and Warnings

⚠ WARNING ⚠

To reduce possibility of severe injury or death from improper servicing techniques:

Do not attempt any type of servicing operations before reading and understanding all notes, cautions and warnings in this manual.



Wear eye protection when working on vehicle. Use extra care when working around batteries, or using solvents or compressed air.

Turn off all electrical loads from battery before removing battery wires.



Wrap wrenches with vinyl tape to reduce possibility of a dropped wrench 'shorting out' a battery, which could result in an explosion.

Remove and ground spark plug wires and disconnect battery at negative terminal before servicing.

Treat all electrolyte spills to body and eyes with extended flushing with clear water. Contact a physician immediately. Any electrolyte spills should be neutralized with a solution of 2 teaspoons (10 ml) sodium bicarbonate (baking soda) dissolved in 1 quart (1 liters) of water and flushed with water.

Insulate metal aerosol containers of battery terminal protectant to reduce chance of contacting battery terminals which could result in an explosion.

Always place entire vehicle on jack stands, disengage four (4) wheel drive and unlock front and rear differentials when performing a procedure requiring engine to run with vehicle in place and tires off ground. Failure to do so will allow vehicle to pull itself off when supported by only two jack stands.

It is in the best interest of both vehicle owner and service technician to carefully follow procedures recommended in this manual. Preventative maintenance, applied at recommended intervals, is the best guarantee for keeping vehicle both dependable and economical.

This vehicle will give years of satisfactory service, providing it receives regular maintenance. Refer to PERIODIC SERVICE SCHEDULE for appropriate service intervals (Refer to page 3-36). Refer to LUBRICATION POINTS for appropriate locations (Refer to page 3-49).

CAUTION

To prolong vehicle life, some maintenance items must be serviced more frequently on vehicles used under severe driving conditions such as extreme temperatures, extreme dust/debris conditions, frequent use with maximum load.

To reduce possibility of vehicle damage when servicing:

Do not lift vehicle by placing jack under front or rear aluminum differential cases.

Always place entire vehicle on jack stands, select two (2) wheel drive and unlock both differentials when performing procedures requiring engine to run with vehicle in place and tires off ground. Failure to do so will allow vehicle to pull itself off when supported by only two jack stands.

Do not operate engine with CVT drive belt removed since engine speed is governed by the transfer case. Doing so allows engine to exceed its maximum revolutions per minute (RPM).

To access powertrain for routine maintenance, lift seat. Additional access may be obtained by raising or removing load bed. For major repair, refer to appropriate Technician's Repair and Service Manual.

Some service procedures may require vehicle to be lifted. Refer to LIFTING THE VEHICLE for proper lifting procedure and safety information (Refer to page 3-40).

PERIODIC SERVICE SCHEDULE

Read all of manual to become thoroughly familiar with this vehicle. Pay particular attention to all Notes, Cautions and Warnings

ITEM		BEFORE EACH USE	WEEKLY	EVERY 20 HOURS	EVERY 50 HOURS	EVERY 100 HOURS	EVERY 200 HOURS	EVERY 300 HOURS	EVERY 500 HOURS	SEE PAGE *
Service Brake (Pedal Pressure)	Check	X								65
(Fluid Level)	Check				X					65
(Pads & Shoes)	Inspect					X				
(Rotors & Drums)	Clean					X				
Park Brake	Check	X			X					65
Reverse Warning Buzzer (if equipped)	Check	X								10
Tires	Check	X	X							56
Overall Vehicle Condition	Check	X								
Wheels	Check		X							56
Fuel Gauge	Check		X							14
Alternator Belt	Check		X							46
Engine Fan and Cooling Fins	Clean			X						64
CVT Enclosure	Clean			X						64
Wiring	Check			X						
Accelerator	Check			X						
Choke	Check			X						8
Carburetor Linkage	Check			X						
Direction Selector	Check			X		X				10

* If no page referenced, conduct visual or see Technician's Repair & Service Manual

PERIODIC SERVICE SCHEDULE Cont.

Read all of manual to become thoroughly familiar with this vehicle. Pay particular attention to all Notes, Cautions and Warnings

ITEM	BEFORE EACH USE	WEEKLY	EVERY 20 HOURS	EVERY 50 HOURS	EVERY 100 HOURS	EVERY 200 HOURS	EVERY 300 HOURS	EVERY 500 HOURS	SEE PAGE *
Engine Oil	Check	X							42
	Change			X**		X			43
Engine Oil Filter	Replace						X		44
Air Filter	Check	X							47
	Clean				X [#]				47
	Replace					X [#]			47
Spark Plugs	Check					X			45
	Replace						X		45
Idle Speed	Check				X**				
Valve Clearance	Check				X**				
Fuel Filter	Check					X			48
	Replace						X		48
Combustion Chamber	Clean							X	
Steering	Check		X						
Tie Rods/Linkages	Check		X						
Rear Axle	Check		X			X	X		62
	Replace							X	62
Muffler/Exhaust	Check					X			64
Spark Arrester	Clean					X			60

* If no page referenced, conduct visual or see Technician's Repair & Service Manual

** First occurrence only [#] More frequently in dusty conditions

PERIODIC SERVICE SCHEDULE Cont.

Read all of manual to become thoroughly familiar with this vehicle. Pay particular attention to all Notes, Cautions and Warnings

ITEM	BEFORE EACH USE	WEEKLY	EVERY 20 HOURS	EVERY 50 HOURS	EVERY 100 HOURS	EVERY 200 HOURS	EVERY 300 HOURS	EVERY 500 HOURS	SEE PAGE *
Front Axle	Check			X					62
Front Knuckles	Check							X	
Front Struts	Check				X				
Front Wheel Alignment	Check				X				
Rear Shock Absorbers	Check							X	
Fuel Tank	Clean							X	48
Throttle/Governor Linkage	Check			X					
Hardware And Fasteners	Check				X				66
	Tighten				X				66
Battery	Clean				X				51
Drive Belt	Check				X				
Front Wheel Bearings	Check							X	
Driveshafts	Lubricate				X				49
C.V. Joints and Boots	Check				X				

* If no page referenced, conduct visual or see Technician's Repair & Service Manual

To perform service that is listed in this schedule but not described in this manual, contact a local Service Representative or see Repair and Service Manual for this vehicle.

NOTE: Some maintenance items must be serviced more frequently on vehicles used under severe driving conditions.

BASIC SERVICE PARTS

Read all of manual to become thoroughly familiar with this vehicle. Pay particular attention to all Notes, Cautions and Warnings

To order parts, SERVICE PARTS Department contact information is as follows:

In USA, Phone: 1-800-241-5855; Fax: 1-800-448-8124

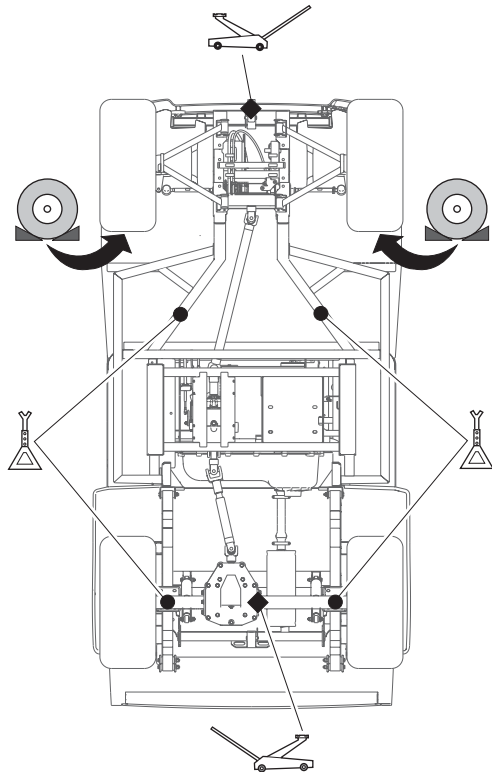
Outside USA, Phone: 010-1-706-798-4311; Fax: 010-1-706-771-4609

E-Z-GO Division of TEXTRON, Inc., P.O. BOX 388, Augusta, Georgia USA 30903-0388

Air Filter Element	72944-G01
Oil Filter	15400-POH-305PE
Spark Plugs	ZGR5A (NGK) J16CR-U (DENSO)
Optional Alternator Belt	73561-G01
CVT Belt	73965-G01
Fuse	15 amp (P/N 35212-G01) 7.5 amp (P/N 35212-G05)
Headlight Bulb	20209-G3
Tail Light Bulb	#1157 (P/N 21759-G1)

LIFTING THE VEHICLE

Read all of manual to become thoroughly familiar with this vehicle. Pay particular attention to all Notes, Cautions and Warnings



View From Underside of Vehicle

Ref Liv 5

Tool List

Qty. Required

Floor jack	1
Jack stands	4
Chocks	4



WARNING To prevent possible injury or death resulting from vehicle falling off jack, be sure vehicle is on a firm and level surface. Never get under vehicle while it is supported by a jack. Use jack stands and test vehicle stability on stands. Always place chocks in front and behind the wheels not being raised. Use extreme care since vehicle is extremely unstable during lifting process.

To prevent possible injury or death from operating engine while vehicle is raised, disengage 4 wheel drive and unlock front and rear differentials.



CAUTION To reduce possibility of vehicle damage:
Do not raise vehicle by placing jack under front or rear aluminum differential cases.

Do not operate engine with 4 wheel drive or either differential locks engaged.

Never operate engine with CVT drive belt removed.

Some servicing operations may require entire vehicle to be raised.

Install chocks in front and behind each front wheel. Center jack under flange on long axle tube. Raise vehicle and locate a jack stand under outer ends of rear axle tubes.

Lower jack and test stability of vehicle on two jack stands.

Center jack under front of frame. Raise vehicle and position jack stands under frame as shown.

Lower jack and test stability of vehicle on four jack stands.

Lower vehicle by reversing lifting sequence.

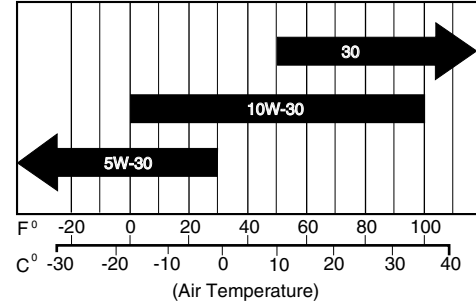
Read all of manual to become thoroughly familiar with this vehicle. Pay particular attention to all Notes, Cautions and Warnings

Use detergent motor oil designed for 4 stroke engines.

The oil must be of high quality and meet API SF, SG standards.

For most conditions, 10W30 oil is recommended.

See chart for viscosity allowed in extreme temperatures.



OIL LEVEL CHECK

Read all of manual to become thoroughly familiar with this vehicle. Pay particular attention to all Notes, Cautions and Warnings

CAUTION To reduce possibility of engine damage, do not run engine with oil level too low.

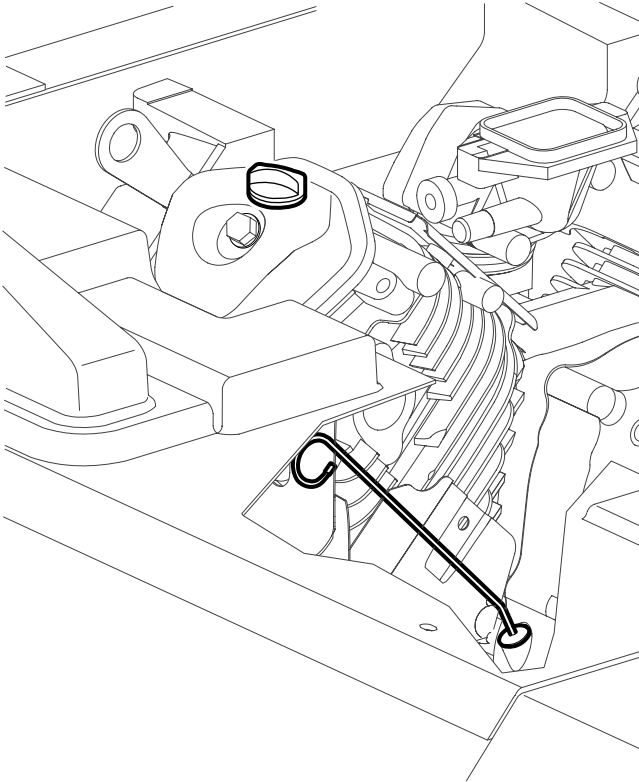
Park vehicle on level surface, shut off engine and wait a minute for oil to settle.

Lift seat, remove dipstick and wipe clean.

Replace dipstick and remove again. Observe level indicated and:

- if it is between upper and lower holes, oil level is correct
- if it is at or below the lower hole, remove oil fill cap and add oil until level reaches upper hole

When finished, return dipstick and oil fill cap and lower seat.



Ref Olc 1

OIL CHANGE

Read all of manual to become thoroughly familiar with this vehicle. Pay particular attention to all Notes, Cautions and Warnings

With engine warm, park vehicle on level surface, shut off engine, remove key, set park brake and wait a minute for oil to settle.

Lift seat, wipe oil fill cap clean with a cloth and remove fill cap.

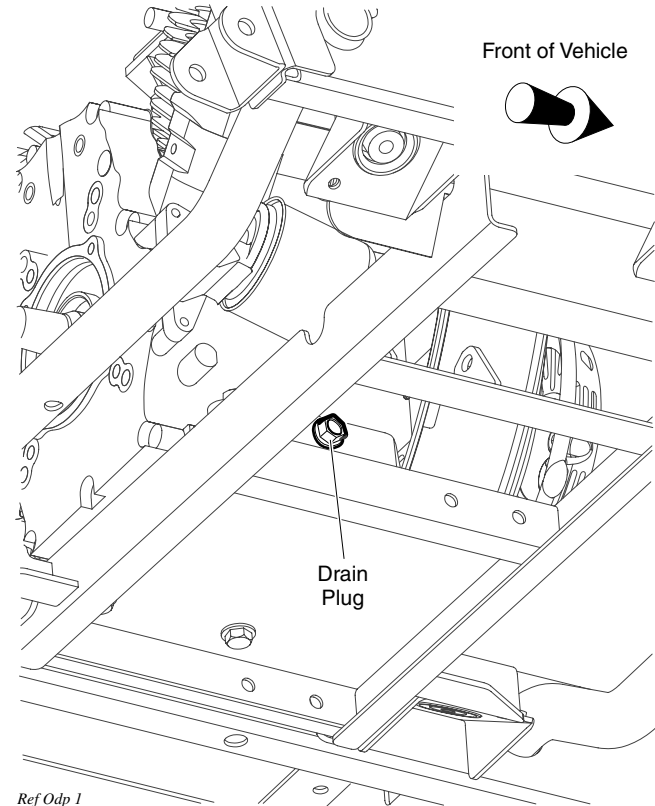
Place drain pan under engine.

Remove drain plug from base of engine.

Once oil has drained, replace drain plug and, if due, change oil filter at this time. See OIL FILTER CHANGE on page 3-44.

Fill engine to upper hole on dipstick with appropriate oil. See previous pages.

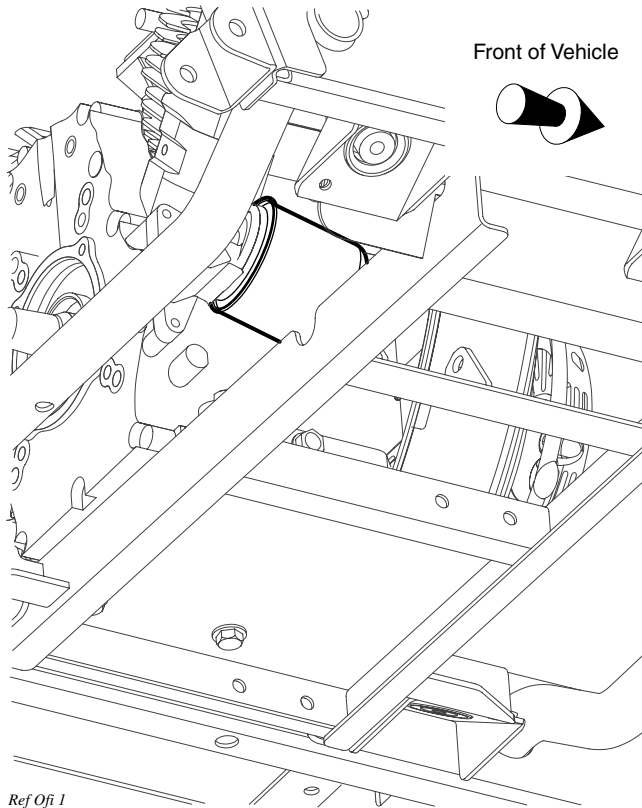
Return oil fill cap and dipstick and lower seat.



Ref Odp 1

OIL FILTER CHANGE

Read all of manual to become thoroughly familiar with this vehicle. Pay particular attention to all Notes, Cautions and Warnings



Drain oil (Refer to page 3-43).

Clean oil filter and its mount.

Place drain pan under engine and, being careful not to damage oil pressure switch, remove oil filter.

Wipe sealing surface of filter mount clean.

Apply clean, fresh oil to seal of new filter and screw filter on by hand until seal contacts filter mount. Tighten 7/8 of a turn more. Torque specification is 16 ft. lbs. (22 Nm).

Fill engine to upper hole on dipstick with appropriate oil. See previous pages.

Return oil fill cap and dipstick and lower seat.

Start engine and check for leaks.

Shut engine off, check oil level and add, if necessary, to bring level to upper hole on dipstick.

SPARK PLUGS

Read all of manual to become thoroughly familiar with this vehicle. Pay particular attention to all Notes, Cautions and Warnings

CAUTION

To reduce possibility of engine damage:

Only use recommended spark plugs.

Tighten spark plugs as instructed. Too loose can overheat engine and too tight can damage threads in cylinder head.

Inspect and replace spark plugs at intervals indicated in Periodic Service Schedule (Refer to page 3-36).

Remove plug wires and clean area around plugs to prevent debris falling into cylinders. Use a 13/16" spark plug wrench to remove plugs.

Inspect electrodes for wear and insulator for cracks or chips. Fouled spark plugs are indicated by a wet, black appearance. This could be caused by a dirty air filter element or other restrictions in air intake system. Incorrectly adjusted valves, spark plug wires which are in poor condition or poor quality fuel could also contribute.

If reusing spark plugs, clean with wire brush.

Check gap. Gap should measure .028 - .031" (.70 - .80 mm). If necessary, adjust gap being careful not to damage plug.

If replacing spark plugs, use only recommended type. See BASIC SERVICE PARTS on page 3-39. New plugs must be properly gapped before installation.

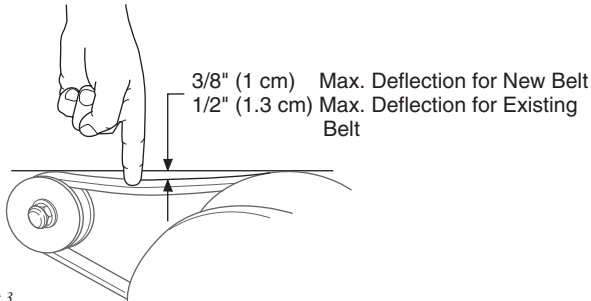
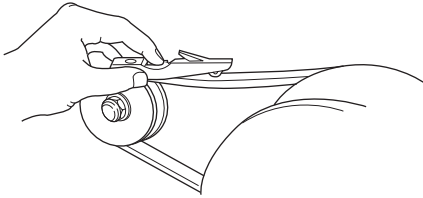
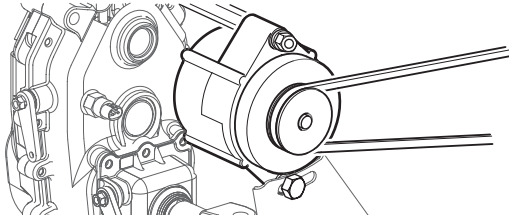
Install plugs by hand to reduce chance of cross-threading.

When plug seats against engine:

- Tighten used plugs an additional 1/8 to 1/4 turn
- Tighten new plugs an additional 1/2 turn.

ALTERNATOR BELT

Read all of manual to become thoroughly familiar with this vehicle. Pay particular attention to all Notes, Cautions and Warnings



Ref Abt 3

Vehicle may be equipped with an optional hi-output alternator. It provides power necessary to run a variety of equipment such as electric powered tools, hi-intensity lighting, radio and winch.

Adjusting Belt

Hardware involved: 1/2" and 9/16" hex

Special Tools Required

Qty.

Torque wrench, ft. lbs. 1

Belt tension gauge 1

Inspect belt for cracking or wear. Replace if required.

Loosen top nut.

Loosen bottom bolt.

By hand or using a pry bar, pull alternator belt tight and hand tighten bottom bolt.

Check belt tension. Tighten to:

75 - 80 lbs. (34 - 36 kg) tension for an **existing** belt or 90 - 110 lbs. (41 - 50 kg) tension for a **new** belt when using a belt tension gauge. Apply gauge half way between the two pulleys.

-or-

a maximum deflection of 1/2" (13 mm) for an **existing** belt or 3/8" (1 cm) for a **new** belt when gauging by hand.

Tighten bolt to 9 - 11 ft. lbs. (12 - 15 Nm) torque and nut to 18 - 20 ft. lbs. (25 - 27 Nm).

AIR CLEANER

Read all of manual to become thoroughly familiar with this vehicle. Pay particular attention to all Notes, Cautions and Warnings

Canister Type Air Cleaner

Air cleaner element is accessible by unsnapping two clips on air canister and removing cover and air filter element.

Clean inside of cover and canister.

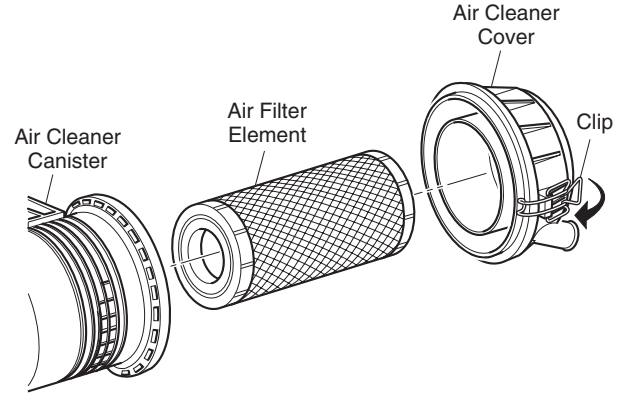
Install element and cover the same way they were removed. Be sure positioning arrow on cover is pointing up and all clips are fastened securely.

Cleaning Air Filter Element

CAUTION

Do not use compressed air to clean air filter; doing so will damage filter which may result in damage to engine.

If element is in acceptable condition, loose dirt may be removed by tapping filter lightly. Do not use oil on filter element or any part of unit.



Ref Air 4

FUEL FILTER

Read all of manual to become thoroughly familiar with this vehicle. Pay particular attention to all Notes, Cautions and Warnings



To reduce possibility of an explosion, do not smoke near fuel tank or in an area where gasoline is being handled. Do not perform procedures involving fuel system near open fire or electrical items which could produce a spark.

Do not handle gasoline in an area that is not adequately ventilated.

Always wear safety glasses to prevent possible eye injury from gasoline or gasoline vapor.

Fuel filter is located at front of engine above fan cover.

Inspect it for dirt and/or water. Replace if significant amount is found.

To replace, use a pair of pliers to move clamps off ends of filter.

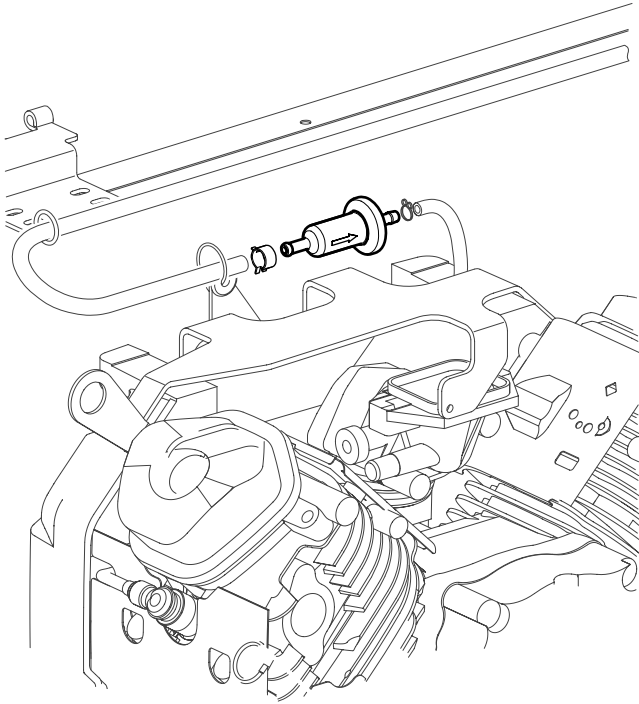
Remove hose coming from fuel tank first and plug.

Remove filter from hose going to fuel pump and discard.



Orient direction of new fuel filter according to FLOW arrow on side of filter.

Install new fuel filter and reposition clamps over inlet and outlet.



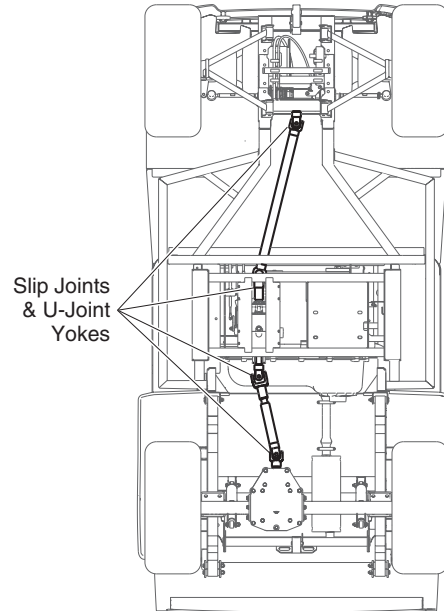
Ref Fji 1

LUBRICATION POINTS

Read all of manual to become thoroughly familiar with this vehicle. Pay particular attention to all Notes, Cautions and Warnings

CAUTION Do not use more than three (3) pumps of grease in any grease fitting at any one time. Excess grease may cause grease seals to fail or grease migration into areas that could damage components.

Add two or three pumps of grease to fittings shown. More than three pumps in a grease fitting could damage seals allowing contamination of grease-sensitive components.



View From Underside of Vehicle

Ref Lub 5

BATTERY

Read all of manual to become thoroughly familiar with this vehicle. Pay particular attention to all Notes, Cautions and Warnings

CAUTION

To reduce possibility of discharging battery and leaving insufficient reserve to start vehicle, do not use accessories excessively

while engine is off.

Failure to promptly charge a discharged battery will shorten its lifespan.

Vehicle uses a charge coil to charge battery. Battery is charged while engine is running. Do not operate accessory items (such as accessory lights, radios, winch, etc.) excessively while engine is off. The charge coil is capable of supplying 20 amps; therefore, operation of all accessories could result in discharge of battery even though engine is running.

Discharging a battery is known as deep cycling. The battery is not a deep cycle model, but is a starting battery. Multiple deep cycling will result in premature failure of battery.

If battery becomes discharged, vehicle can be jump started. See JUMP STARTING on page 3-52. Promptly charge battery using a 12 volt charger rated at 10 amps or less and in accordance with all instructions provided by manufacturer of charger.

BATTERY CLEANING

Read all of manual to become thoroughly familiar with this vehicle. Pay particular attention to all Notes, Cautions and Warnings

CAUTION To reduce possibility of damage to vehicle or floor, neutralize acid before rinsing battery.

To reduce possibility of damage to electrical components while cleaning, do not use a pressure washer.

Cleaning should take place per PERIODIC SERVICE SCHEDULE (Refer to page 3-36).

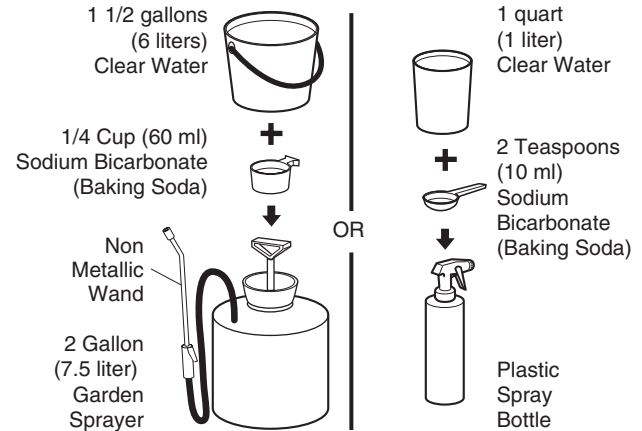
When cleaning outside of battery and terminals, first spray with a solution of sodium bicarbonate (baking soda) and water to neutralize any acid deposits before rinsing with clear water.

Use of a water hose without first neutralizing any acid, will move acid from top of battery to other parts of vehicle or storage facility where it will attack metal, concrete or asphalt. Additionally, a conductive residue will remain on battery and will contribute to its discharge.

WARNING

To reduce possibility of battery explosion that could result in severe injury or death, do not use metallic spray wand to clean battery and keep all smoking materials, open flame or sparks away from battery.

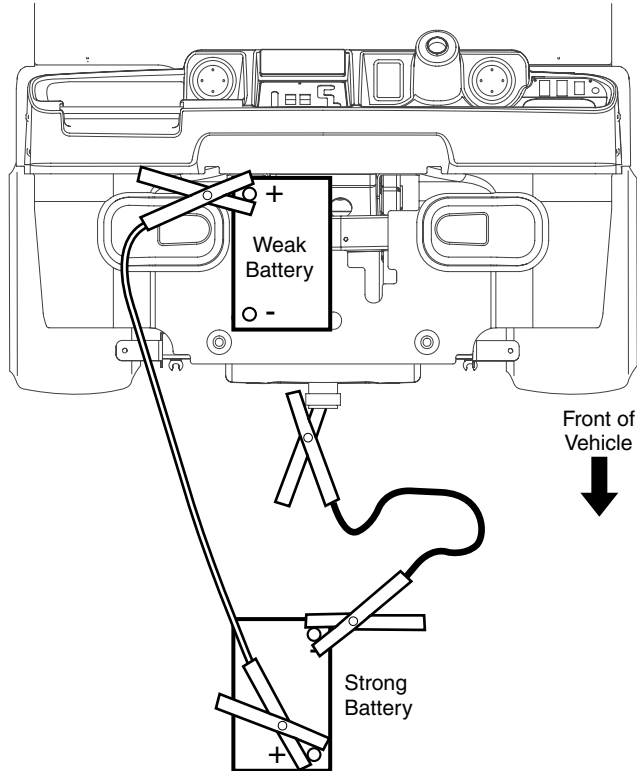
Correct cleaning technique is to spray top and sides of battery with solution of sodium bicarbonate (baking soda) and clear water. Solution should consist of amounts shown in diagram and is best applied with a garden type sprayer equipped with a **non metallic spray wand** or a **plastic spray bottle**. In addition, special attention should be paid to metal components adjacent to battery which should also be sprayed with solution. Allow solution to sit for at least three minutes. Use a soft bristle brush or cloth to wipe battery; removing any residue that could contribute to self discharge of battery. Rinse entire area with clean water. Do not use a pressure washer.



Ref Pns 1S

JUMP STARTING

Read all of manual to become thoroughly familiar with this vehicle. Pay particular attention to all Notes, Cautions and Warnings



⚠ WARNING ⚠

To reduce possibility of severe injury or death, follow jump starting instructions explicitly.

CAUTION

To reduce possibility of permanent damage to battery, promptly charge a discharged battery.

Turn key switch to OFF.

Place direction selector in neutral.

Attach one end of red positive cable to positive post of weak battery and other end to positive post of strong battery.

Attach one end of black negative cable to negative post of strong battery and other end to vehicle frame.

Start vehicle as usual. Once started, disconnect cables in reverse order.

Charge battery as soon as possible. See BATTERY on page 3-50.

Ref Imp 1

VEHICLE CLEANING AND CARE

Read all of manual to become thoroughly familiar with this vehicle. Pay particular attention to all Notes, Cautions and Warnings

Cleaning

⚠ WARNING ⚠

To reduce possibility of severe injury or vehicle damage, read and understand all instructions supplied by manufacturer of pressure washer.

CAUTION

To reduce possibility of damage, do not use pressure in excess of 700 psi (4826 kPa) when pressure washing exterior of vehicle and do not use any abrasive or reactive solvents to clean plastic parts.

It is important that proper techniques and cleaning materials be used. Using excessive water pressure may cause severe injury to operator or bystander, damage to seals, plastics, seat material, body finish or electrical system. Do not use pressure in excess of 700 psi (4826 kPa) to wash exterior of vehicle.

Clean windshield with lots of water and a clean cloth. Minor scratches may be removed using a commercial plastic polish or Plexus[®] plastic cleaner available from the service parts department.

Normal cleaning of vinyl seats and plastic or rubber trim requires use of a mild soap solution applied with a sponge or soft brush and wipe with a damp cloth.

Removal of oil, tar, asphalt, shoe polish, etc. will require use of a commercially available vinyl/rubber cleaner.

Painted surfaces require frequent washing with lukewarm or cold water and mild detergent.

Occasional cleaning and waxing with non-abrasive products designed for 'clear coat' automotive finishes will enhance the appearance and durability of the painted surfaces.

Corrosive materials used as fertilizers or for dust control can collect on underbody of vehicle. These materials will cause corrosion of underbody parts unless flushed occasionally with plain water. Thoroughly clean any areas where mud or other debris can collect. Sediment packed in closed areas should be loosened to ease its removal, taking care not to chip or otherwise damage paint.

NOTE

If engine does not start or runs improperly after washing, remove spark plug wires (by pulling the spark plug boots, never the wires). Dry all connections with forced air. Reinstall wires.

VEHICLE CLEANING AND CARE

Read all of manual to become thoroughly familiar with this vehicle. Pay particular attention to all Notes, Cautions and Warnings

Care Products

To help maintain the vehicle there are several products available through local Distributors, authorized Branches, or the Service Parts Department.

- Touch-up paint specially formulated to match vehicle colors for use on both metal and molded plastic bodies. (P/N 28140-G** and 28432-G** for solid colors; 75831-G** for camouflage colors)
- Battery Protectant formulated to form a long-term, flexible, non-tacky, dry coating that will not crack, peel or flake over a wide temperature range. (P/N 75500-G01)
- White Lithium Grease designed to provide lubrication protection in areas where staining or discoloring is a problem, or in areas of extreme temperature ranges. (P/N 75502-G01)
- Penetrant/Lubricant, a 4-in-1 product that penetrates seized parts, lubricates leaving a light lubricating film, reduces corrosion by adhering to wet or dry surfaces and displaces moisture, sealing against future moisture return. (P/N 75503-G01)
- Multi-purpose Cleaner and Degreaser that contains natural, environmentally safe solvents. (P/N 75504-G01)
- Multi-purpose Hand Cleaner is an industrial strength cleaner containing no harsh solvents, yet gently lifts grease off hands. May be used with or without water. (P/N 75505-G01)
- Battery Cleaner that neutralizes battery acids and dissolves terminal corrosion and can be rinsed with water. (P/N 75506-G01)
- Biodegradable Cleaner that breaks down grease to be easily wiped or rinsed away. (P/N 75507-G01)
- Multi-purpose Value Pack sampler includes 4 ounce (118 ml) aerosol cans of Battery Protector, Penetrant/Lubricant, White Lithium Grease, and Carburetor and Choke Cleaner. (P/N 75508-G01)
- Plexus[®] plastic cleaner and polish removes minor scratches from windshield. (P/N 28433-G**)

LABELS AND PICTOGRAMS

Read all of manual to become thoroughly familiar with this vehicle. Pay particular attention to all Notes, Cautions and Warnings

Vehicles are labeled with pictograms as a method of conveying information or warnings. Appendix A illustrates and explains pictograms that appear on vehicle. Not all pictograms shown in Appendix A will be used on vehicle.

WHEELS AND TIRES

Read all of manual to become thoroughly familiar with this vehicle. Pay particular attention to all Notes, Cautions and Warnings

NOTE *Tires are uni-directional and should never be moved from one side of vehicle to the other.*

This vehicle comes standard with low pressure, tubeless, uni-directional tires mounted on one piece wheels. Left side tires should always remain on left side of vehicle. Right side tires should always remain on right side of vehicle. Uni-directional tires have an arrow on their sidewall indicating direction of rotation when moving forward.

Tire Inspection and Inflation



To reduce possibility of severe injury or death from tire separating from wheel or exploding, use caution when inflating tires and never exceed maximum pressure rating on sidewall of tire. Overinflation can occur quickly.

maximum pressure rating on sidewall of tire. Overinflation can occur quickly.

Tire condition should be inspected per the PERIODIC SERVICE SCHEDULE (Refer to page 3-36). Examine for cuts, punctures and excessive wear. Repair or replace as necessary.

Air pressure should be checked when tires are cool. If air needs to be added, see GENERAL SPECIFICATIONS on page 4-1. Standard and optional tires should be inflated to pressure designated. If pressure is not designated, inflate to pressure recommended on sidewall of tire. Under no condition should inflation pressure be higher than maximum pressure listed on sidewall of tire. **All four tires** should have the same pressure for optimum handling characteristics.

Use caution when inflating tires. Due to low volume of small tires, overinflation can occur in seconds. Overinflation could cause tire to separate from wheel or cause tire to explode.

Be sure to install valve dust cap after checking.

WHEELS AND TIRES Cont.

Read all of manual to become thoroughly familiar with this vehicle. Pay particular attention to all Notes, Cautions and Warnings

Removal and Installation



To reduce possibility of severe injury caused by a broken socket when removing wheels, use only sockets designed for impact wrench use.

Hardware involved: 3/4" hex lug nut

To remove, loosen lug nuts. If using an impact wrench, use only impact sockets with it. Regular sockets are not designed for impact pressures exerted by power tools.

Raise vehicle. See LIFTING THE VEHICLE on page 3-40.

Remove lug nuts and wheel.



To reduce possibility of damage, tighten lug nuts to no more than 85 ft. lbs. (115 Nm) torque.



Use 'cross sequence' pattern when tightening lug nuts to assure even seating of wheel against hub.

Special Tools Required

Qty.

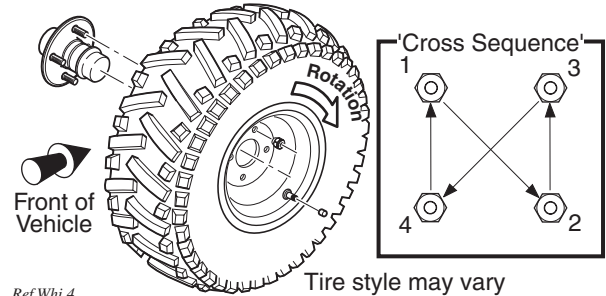
Torque wrench, ft. lbs. 1

To install, place wheel onto studs with valve stem facing away from hub. Be sure to position wheel on hub correctly with arrow on tire indicating direction of rotation when moving forward.

Add lug nuts and finger tighten.

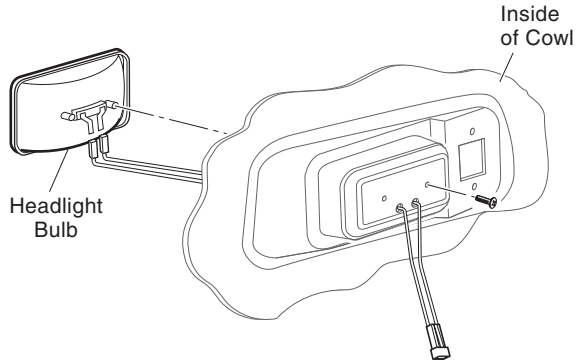
Secure wheel by tightening lug nuts in a 'cross sequence' pattern to 50 - 85 ft. lbs. (70 - 115 Nm) torque in 20 ft. lbs. (30 Nm) increments.

Lower vehicle.



LIGHT BULB REPLACEMENT

Read all of manual to become thoroughly familiar with this vehicle. Pay particular attention to all Notes, Cautions and Warnings



Replacement bulbs are available from a local Distributor, an authorized Branch or the Service Parts Department. See BASIC SERVICE PARTS on page 3-39.

For vehicles with headlights mounted in cowl, locate two screws on backside of cowl that secure headlight.

Remove screws, pull headlight out and disconnect wires.

Connect wires to new headlight, install in cowl and secure with screws previously removed.

FUSE REPLACEMENT

Read all of manual to become thoroughly familiar with this vehicle. Pay particular attention to all Notes, Cautions and Warnings

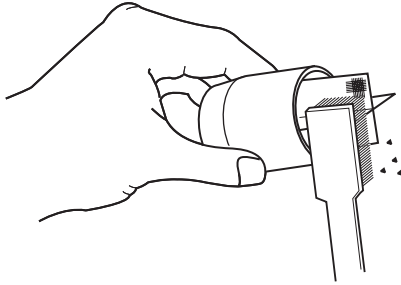
Fuses are available from a local Distributor, an authorized Branch or the Service Parts Department. See BASIC SERVICE PARTS on page 3-39.

To replace fuses, locate fuse block under cowl.

Pull out bad fuse and replace with a fuse of same type and load rating.

SPARK ARRESTER

Read all of manual to become thoroughly familiar with this vehicle. Pay particular attention to all Notes, Cautions and Warnings



To reduce possibility of severe injury or death, allow muffler to cool before servicing and never operate vehicle without spark arrester in good condition and in place.

Raise load bed.

Remove screw securing spark arrester and pull arrester from muffler.

Brush off carbon deposits from arrester screen without damaging screen. Screen must be intact. Replace spark arrester if screen is breached.

Install arrester on muffler and secure with screw.

PROLONGED STORAGE

Read all of manual to become thoroughly familiar with this vehicle. Pay particular attention to all Notes, Cautions and Warnings



To reduce possibility of severe injury or death resulting from a possible explosion:

Do not handle fuel in an area that is not adequately ventilated. Do not smoke near fuel tank or refuel near open flame or electrical items which could produce a spark.

Store vehicle in a clean, dry area. Do not store in same area as a stove, furnace, water heater, or other appliance that uses a pilot light or has a device that can create a spark.

When refueling, inspect fuel cap for leaks or breaks that could result in fuel spillage.

Always wear safety glasses while refueling to prevent possible eye injury from gasoline or gasoline vapor.

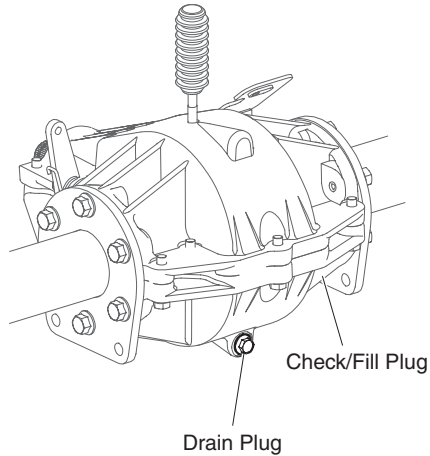
Keep hands, clothing and jewelry away from moving parts. Use care not to contact hot objects.

Preparing vehicle for a prolonged storage period (30 days or more) calls for a few simple steps to prevent a build up of varnish and gum in carburetor and corrosion in engine.

- Clean body, chassis and engine of debris, mud, chaff or grass (Refer to page 3-64).
- Disconnect fuel hose **at fuel tank** and plug hose.
- With proper ventilation, start engine and allow it to run until it stops due to lack of fuel.
- Add fuel stabilizer to fuel tank following instructions on stabilizer container.
- Attach fuel line to tank and drive vehicle for several minutes to circulate fuel stabilizer through carburetor.
- While engine is still warm, change oil (Refer to page 3-43).
- Remove spark plugs (Refer to page 3-45) and pour about 1 oz. (30 ml) of engine oil into each cylinder. Replace spark plugs, ground spark plug wires and use starter to turn engine over a few seconds to distribute oil.

FRONT AND REAR AXLES

Read all of manual to become thoroughly familiar with this vehicle. Pay particular attention to all Notes, Cautions and Warnings



Rear axle is provided with a lubricant level check/fill plug located on side of differential case. Unless leakage is evident, an annual lubricant check is sufficient.

Checking Lubricant Level

Hardware involved: 7/16" hex head plug

Clean check/fill plug and area around it.

Remove plug.

Correct lubricant level is **just** below bottom of threaded hole. If lubricant is to be added, use a funnel and add correct type lubricant slowly until it starts to seep from hole (Refer to page 3-67).

Install plug and tighten to 18 ft. lbs. (25 Nm).

To replace lubricant, a drain plug is provided at bottom of differential case.

TRANSFER CASE

Read all of manual to become thoroughly familiar with this vehicle. Pay particular attention to all Notes, Cautions and Warnings

The transfer case is provided with an oil level check/fill plug located on passenger side at rear of case. Unless leakage is evident, an annual check is sufficient.

Checking Lubricant Level

Hardware involved: 9/16" hex head plug

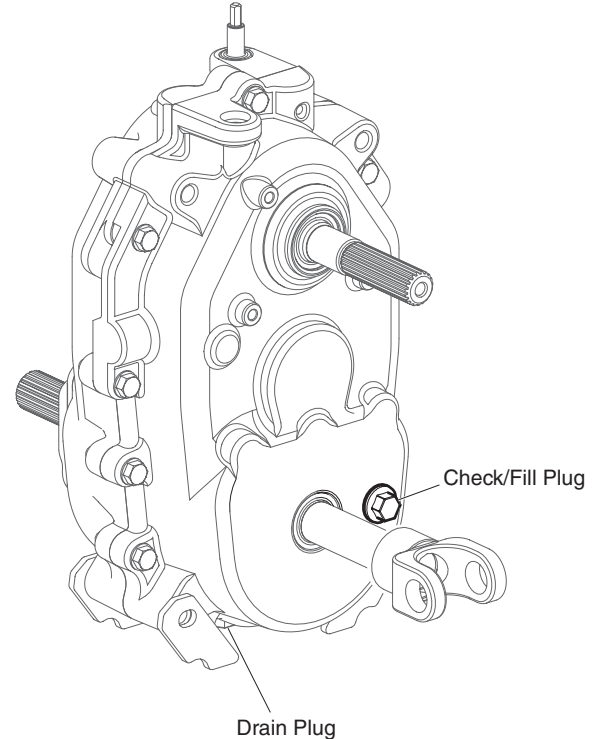
Clean check/fill plug and area around it.

Remove plug.

Correct lubricant level is **just** below bottom of threaded hole. If lubricant is to be added, use a funnel and add correct type lubricant slowly until it starts to seep from hole (Refer to page 3-67).

Install plug and tighten to 20 - 25 ft. lbs. (27 - 34 Nm).

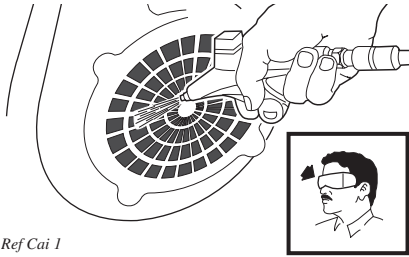
To replace lubricant, a drain plug is provided at bottom of transfer case.



Ref Tcf 1

AIR INTAKE AND COOLING FINS

Read all of manual to become thoroughly familiar with this vehicle. Pay particular attention to all Notes, Cautions and Warnings



Ref Cai 1



To reduce possibility of fire, engine parts should be kept clean to reduce risk of overheating and ignition of accumulated debris.

After every off road use, allow to cool and then check for build up of dirt and debris in air intake and cooling fins. Dirt and debris may clog the engine's air cooling system.

Clean areas shown to prevent engine damage.

Keep linkages, springs and controls clean.

Keep area around muffler free of any combustible material.

Read all of manual to become thoroughly familiar with this vehicle. Pay particular attention to all Notes, Cautions and Warnings

Periodic Brake Test for Hydraulic Brakes



To reduce possibility of severe injury or death, always evaluate pedal travel before operating a vehicle to verify some braking function is present.

It is important to periodically check (Refer to page 3-36) and maintain proper brake fluid level in master cylinder. Master cylinder is located under cowl. When checking fluid, wipe off any dirt from fill cap before removing it to reduce possibility of contamination. Fluid level should be maintained at mark molded into reservoir. If fluid must be added, use only DOT 3 brake fluid and inspect system for fluid leaks.

Push brake pedal. Pedal should have some free travel and then become hard. A brake pedal that has no free travel, excessive free travel or a spongy feel indicates that a brake inspection is required. A brake pedal that offers little resistance after it is applied indicates a leak in system.







HARDWARE

Read all of manual to become thoroughly familiar with this vehicle. Pay particular attention to all Notes, Cautions and Warnings

Periodically, vehicle should be inspected for loose fasteners. Fasteners should be tightened in accordance with the Torque Specifications table.

Use care when tightening fasteners and refer to Technician's Repair and Service Manual for specific torque values.

Generally, three grades of hardware are used in vehicle. Grade 5 hardware can be identified by three marks on the hexagonal bolt head and grade 8 by six marks. Unmarked hardware is Grade 2.

ALL TORQUE FIGURES ARE IN FT. LBS. (Nm)											
Unless otherwise noted in text, tighten all hardware in accordance with this chart.											
This chart specifies 'lubricated' torque figures. Fasteners that are plated or lubricated when installed are considered 'wet' and require approximately 80% of the torque required for 'dry' fasteners.											
BOLT SIZE		1/4"	5/16"	3/8"	7/16"	1/2"	9/16"	5/8"	3/4"	7/8"	1"
Grade 2 		4 (5)	8 (11)	15 (20)	24 (33)	35 (47)	55 (75)	75 (102)	130 (176)	125 (169)	190 (258)
Grade 5 		6 (8)	13 (18)	23 (31)	35 (47)	55 (75)	80 (108)	110 (149)	200 (271)	320 (434)	480 (651)
Grade 8 		6 (8)	18 (24)	35 (47)	55 (75)	80 (108)	110 (149)	170 (230)	280 (380)	460 (624)	680 (922)
BOLT SIZE		M4	M5	M6	M8	M10	M12	M14			
Class 5.8 (Grade 2) 		1 (2)	2 (3)	4 (6)	10 (14)	20 (27)	35 (47)	55 (76.4)			
Class 8.8 (Grade 5) 		2 (3)	4 (6)	7 (10)	18 (24)	35 (47)	61 (83)	97 (131)			
Class 10.9 (Grade 8) 		3 (4)	6 (8)	10 (14)	25 (34)	49 (66)	86 (117)	136 (184)			

Ref Tsp 1

CAPACITIES

Read all of manual to become thoroughly familiar with this vehicle. Pay particular attention to all Notes, Cautions and Warnings

Fuel Tank	6.7 gal (25.4 liters) unleaded, 87 octane or higher
Engine Oil	1.59 quarts (1.5 liters) crankcase only 1.90 quarts (1.8 liters) crankcase and filter 10W30 usually. See OIL on page 3-41.
Front Differential	15.2 ± 1 oz (450 ml) of 80 - 90W GL5
Rear Axle	15.2 ± 1 oz (450 ml) of 80 - 90W GL5
Transfer Case	24 oz (700 ml) MOBILFLUID 424

Read all of manual to become thoroughly familiar with this vehicle. Pay particular attention to all Notes, Cautions and Warnings

Notes: _____

GENERAL SPECIFICATIONS

STANDARD EQUIPMENT:

ST 4X4

CHASSIS.....	Welded steel, hot-dip galvanized, front hitch receiver.....	X
BODY (Front).....	Flexible, Impact Resistant DuraShield™ Injection Molded TPE (Thermoplastic Elastomer) with Base Coat/Clear Coat.....	X
BODY (Rear).....	Lightweight, replaceable steel panels, plastic rear fenders.....	X
BATTERY.....	One 12 Volt Maintenance Free (340 CCA, 38 Minute Reserve).....	X
ENGINE.....	18 H.P. (13.4 kW) 37.5 ci (614 cc) Twin Cylinder, Air Cooled, Overhead Valve, Replaceable Oil Filter, Replaceable Dry Cartridge Air Filter with Remote Air Intake, Transistorized Magneto, Fixed Jet Bowl Carburetor, Pulse Fuel Pump.....	X
TRANSFER CASE.....	Helical geared with Forward, Reverse and Ground Speed Governor.....	X
TRANSMISSION.....	Automatic Continuously Variable Transmission (CVT).....	X
FUEL TANK.....	6.7 Gallon (25.4 Liters) Tank.....	X
BRAKES (FRONT).....	Dual Front Wheel, Hydraulic 8" (203 mm) Disc Brakes.....	X
BRAKES (REAR).....	Dual Rear Wheel, Hydraulic 6.3" (160 mm) Drum Brakes.....	X
PARK BRAKE.....	Hand Operated Lever with Indicator Light.....	X
FRONT SUSPENSION.....	Independent with Hydraulic Struts.....	X
REAR SUSPENSION.....	Leaf Springs with Hydraulic Shock Absorbers.....	X
STEERING.....	Single Reduction Rack & Pinion.....	X
SEATING.....	Cushion Foam/Vinyl Cover, Hip Restraint/Hand Hold.....	X
SEATING CAPACITY.....	Operator & 1 Passenger.....	X
TOTAL LOAD CAPACITY.....	1500 lbs. (544 kg) Including Operator, Passenger, Accessories & Cargo.....	X
SPEED.....	25 mph (40 kph).....	X
STANDARD COLOR.....	Olive Green.....	X
DASH PANEL.....	Scuff Resistant Glass Fiber Reinforced Plastic (Thermoplastic Olefin) with 2 Drink Holders.....	X
TIRE.....	Carlisle AT489, 25 x 11 - 12 (Uni-directional).....	X
TIRE PRESSURE.....	16 - 20 psi (110 - 138 kPa).....	X
WEIGHT (Without fuel).....	1250 lbs. (567 kg).....	X
BED.....	Rotomolded Load Bed, 40" L X 50" W X 13" H (102 X 127 X 33 cm).....	X
OPERATING CONTROLS & INSTRUMENTATION.....	Removable Key, Direction Selector, Electric Fuel Gauge, 4WD/2WD Selector with Indicator Lights, Electric Front & Rear Differential Locks with Indicator Lights, Hour Meter, Volt Meter.....	X
MAXIMUM TRAILER WEIGHT.....	1500 lbs. (680 kg).....	X

GENERAL SPECIFICATIONS

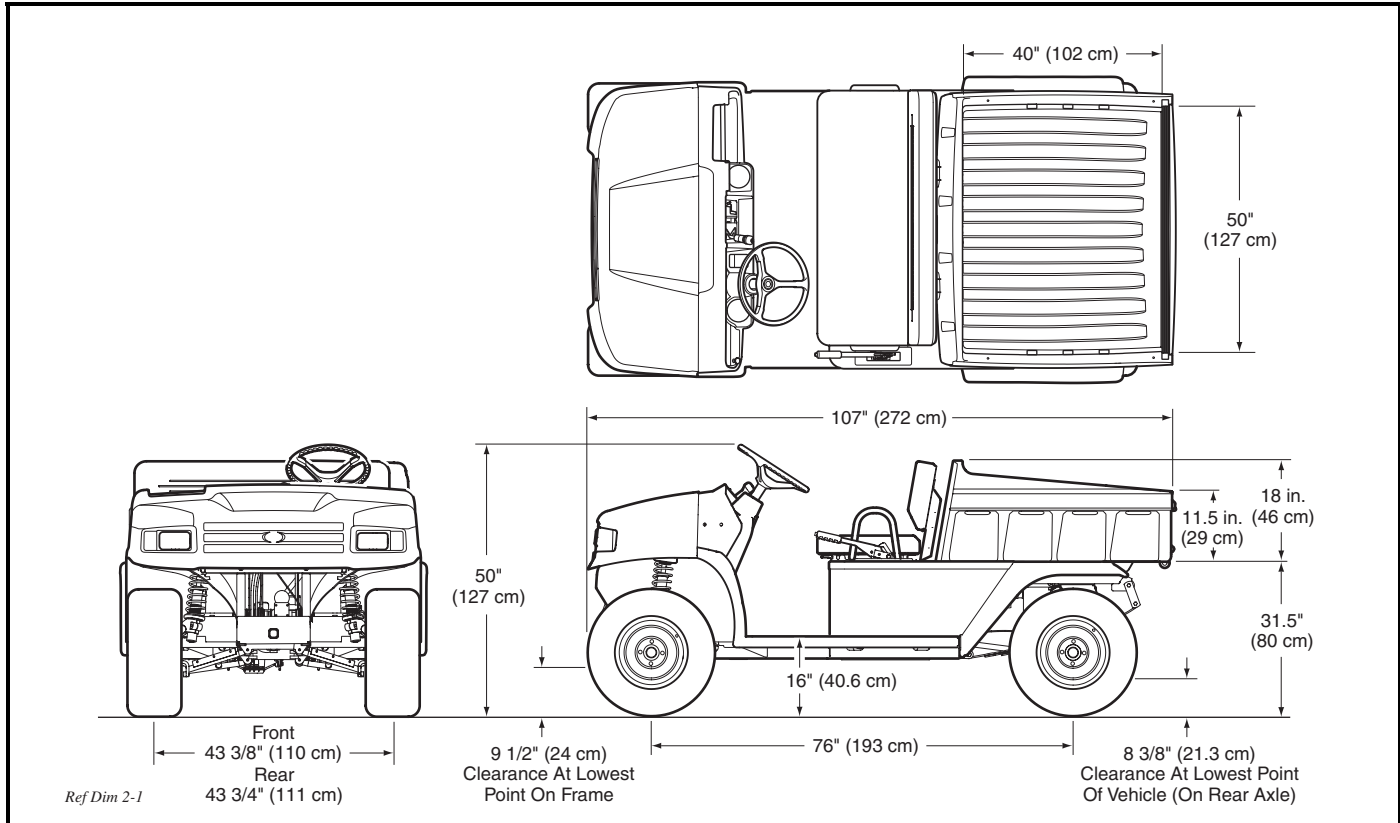
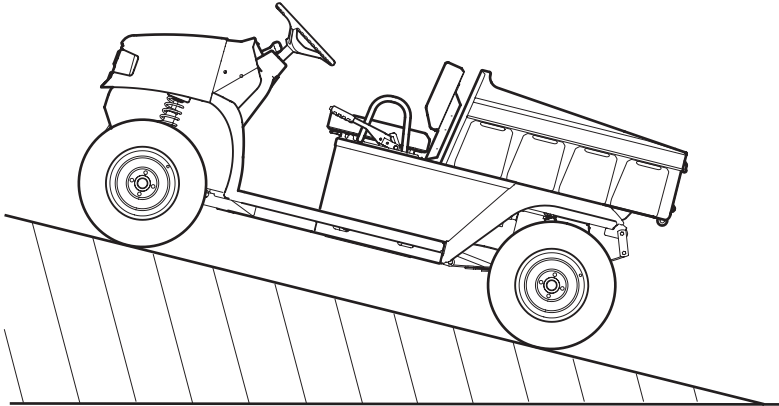
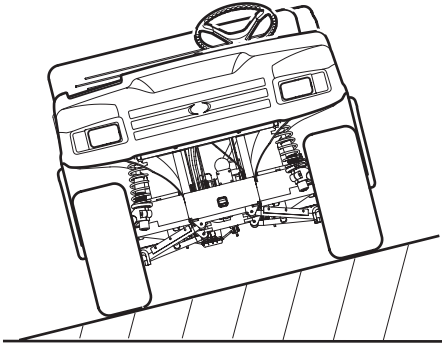


Fig. 1 Vehicle Dimensions

GENERAL SPECIFICATIONS



Maximum Recommended Ramp Grade
25% or 14° Max.



Maximum Recommended Side Tilt
25% or 14° Max.

Ref Dim 2-2

Fig. 2 Vehicle Incline Specifications

GENERAL SPECIFICATIONS

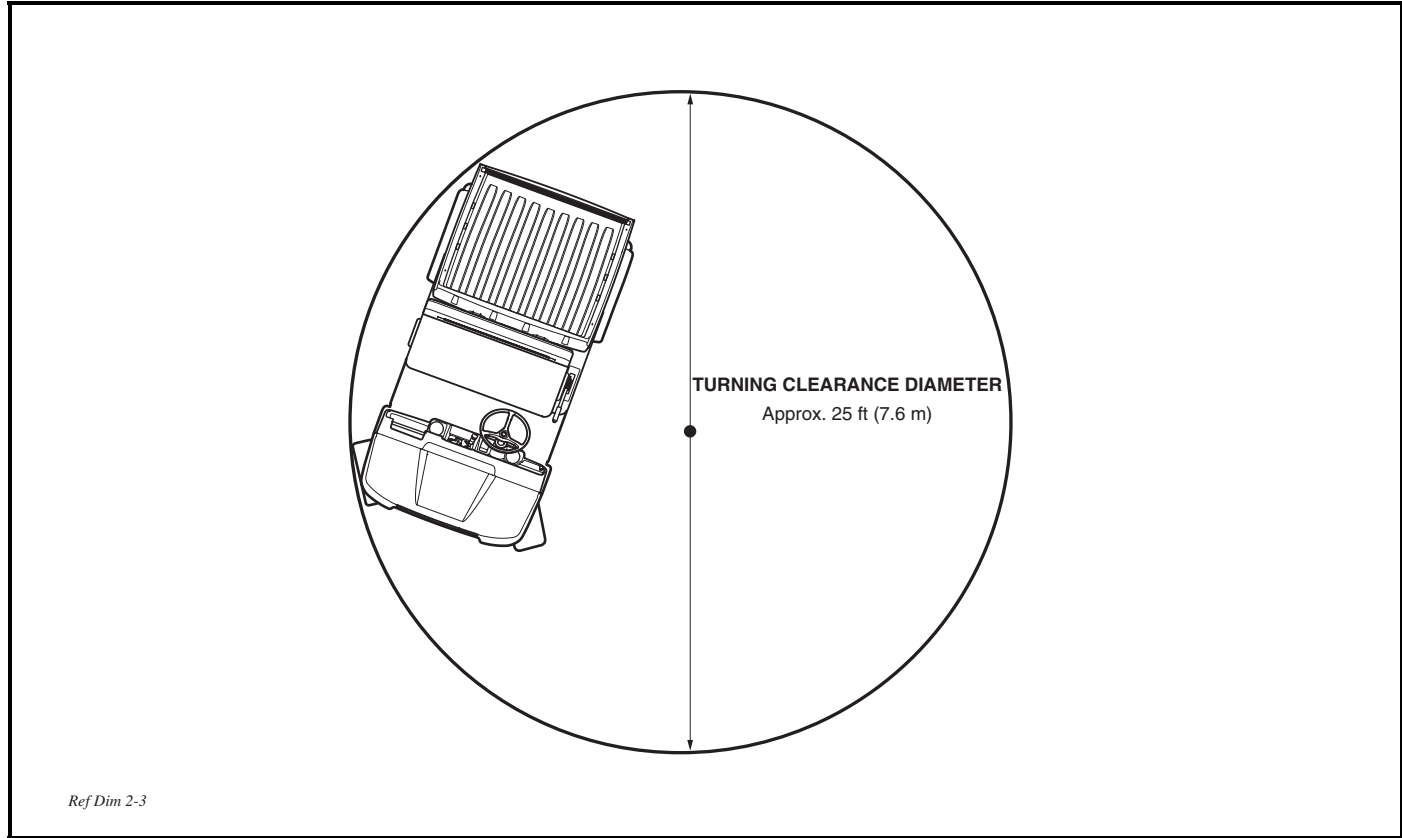


Fig. 3 Vehicle Turning Clearance Diameter and Intersecting Aisle Clearance

LABELS AND PICTOGRAMS

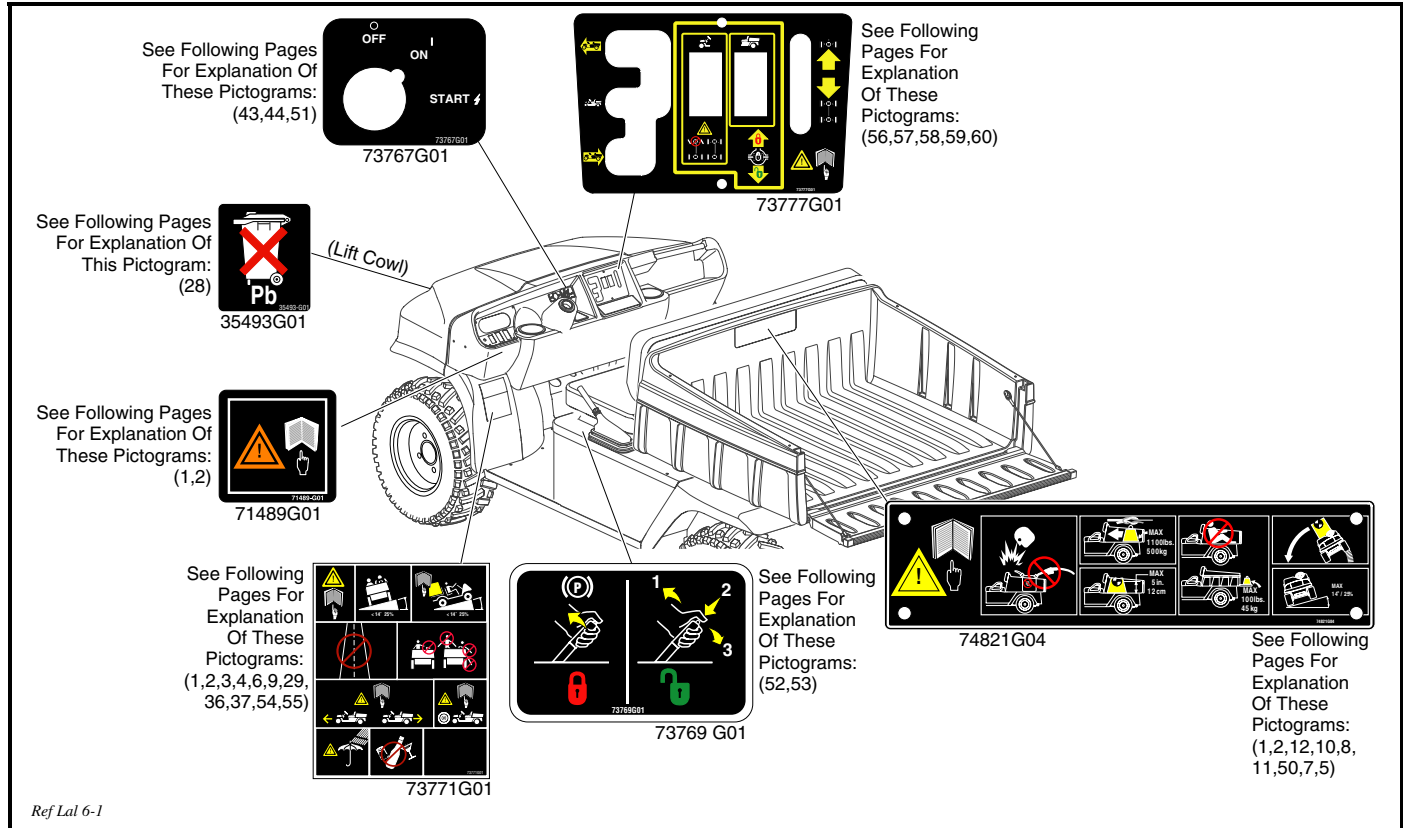


Fig. 1 Label Locations

LABELS AND PICTOGRAMS

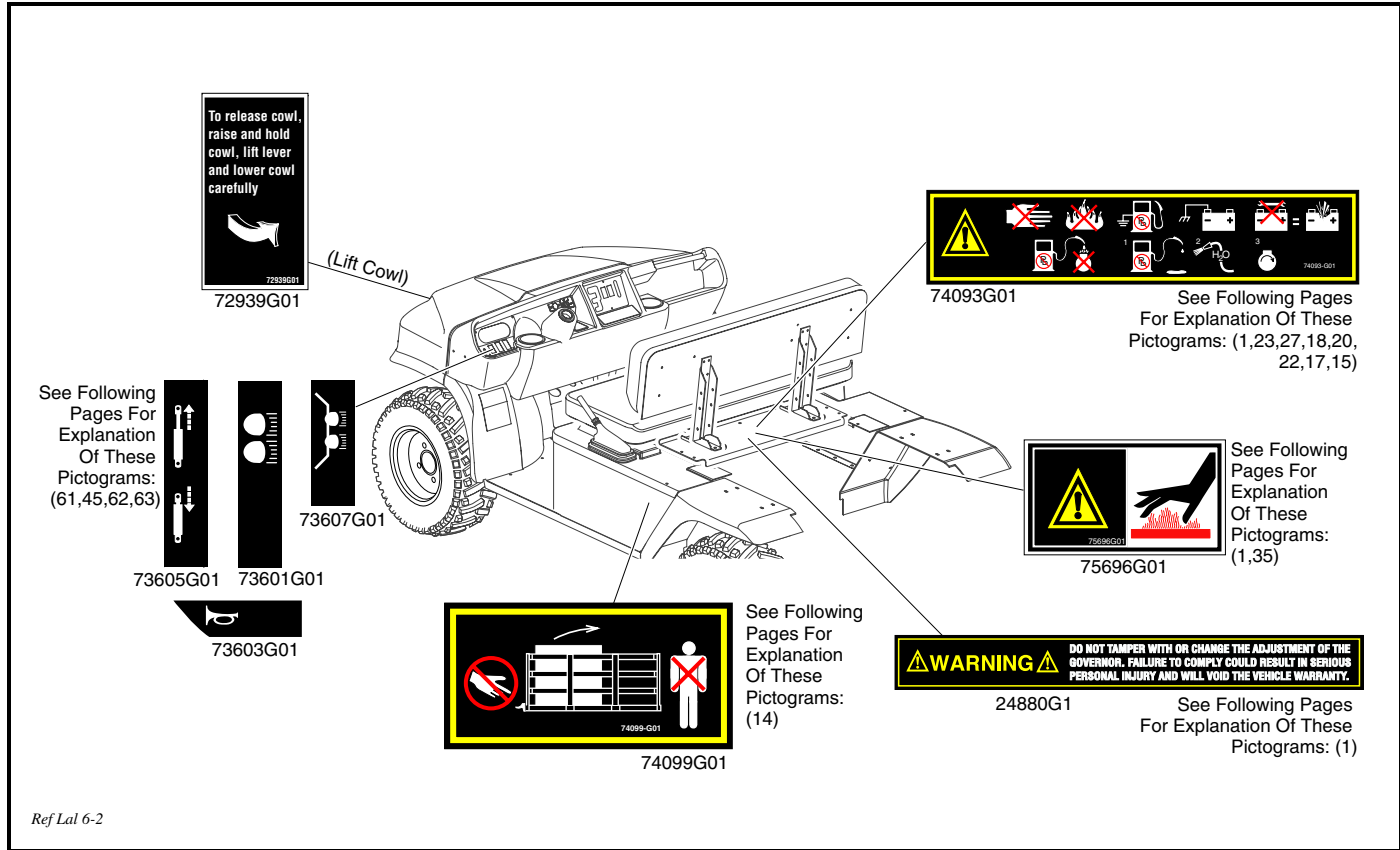


Fig. 2 Label Locations

LABELS AND PICTOGRAMS



WARNING



READ MANUAL



WARNING
USE CAUTION IN
INCLEMENT WEATHER



WARNING
DO NOT OPERATE
IF USING ALCOHOL
OR DRUGS



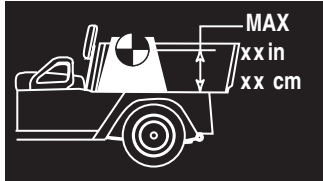
MAXIMUM
CROSS HILL/RAMP
ANGLE AS SPECIFIED



WARNING
MAXIMUM CROSS
HILL/RAMP
ANGLE AS
SPECIFIED



LOAD WITH
HIGH CENTER
OF GRAVITY
COULD RESULT
IN TIP OVER



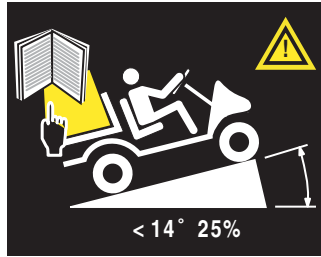
LOAD
CENTER
OF GRAVITY,
MAXIMUM
HEIGHT

Ref Pic 1-1S

Fig. 3 Pictogram Definitions

LABELS AND PICTOGRAMS

9.



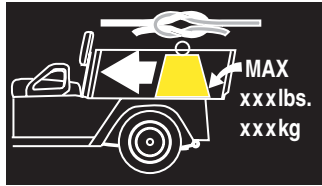
WARNING
READ MANUAL
FOR MAXIMUM
LOAD BED
CAPACITY.
MAXIMUM
RAMP/HILL

12.



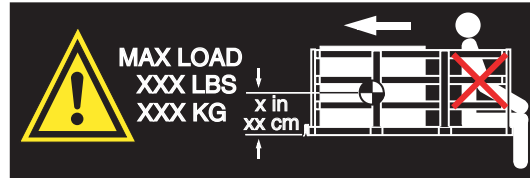
DANGER OF EXPLOSION
DO NOT FILL GAS CAN
IN LOAD BED

10.



SECURE LOAD
AS FAR FORWARD
AS POSSIBLE.
MAXIMUM LOAD
BED CAPACITY

13.



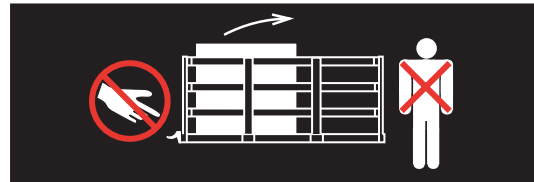
WARNING
MAXIMUM
LOAD &
CENTER OF
GRAVITY.
KEEP LOAD
AS FAR
FORWARD
AS POSSIBLE.
DO NOT RIDE
IN LOAD BED

11.



DO NOT RIDE IN
LOAD BED

14.



KEEP HANDS
& FINGERS
AWAY FROM
DUMP BED.
DO NOT
STAND BEHIND
DUMP BED

Ref Pic 1-2S

Fig. 4 Pictogram Definitions (Continued)

LABELS AND PICTOGRAMS

15.		<p>CLEAN UP GASOLINE SPILLS WITH WATER BEFORE STARTING ENGINE</p>	22.		<p>SHORTING BATTERY TERMINALS MAY CAUSE EXPLOSION</p>
16.		<p>UNLEADED GASOLINE</p>	23.		<p>NO TAMPERING. KEEP HANDS OUT</p>
17.		<p>DO NOT SPILL FUEL ON A HOT ENGINE</p>	24.		<p>WARNING CORROSIVE</p>
18.		<p>GROUND FUEL PUMP</p>	25.		<p>WARNING EXPLOSIVE</p>
19.		<p>LOW OIL PRESSURE</p>	26.		<p>WARNING LETHAL VOLTAGE</p>
20.		<p>NEGATIVE GROUND BATTERY</p>	27.		<p>DO NOT EXPOSE TO FLAME</p>
21.		<p>DO NOT CONNECT POSITIVE BATTERY TERMINAL TO GROUND</p>			

Ref Pic 1-3S

Fig. 5 Pictogram Definitions (Continued)

LABELS AND PICTOGRAMS

28.



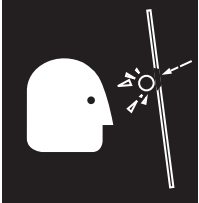
DO NOT
DISPOSE OF
BATTERIES
IN LANDFILL

29.



DO NOT
DRIVE ON
HIGHWAY

30.



WINDSHIELDS
DO NOT
PROVIDE
PROTECTION
FROM
FLYING OBJECTS

31.



BATTERIES ARE
HEAVY.
USE CARE LIFTING

32.



USE INSULATED
TOOLS

Ref Pic 1-4S

33.



WEAR EYE
PROTECTION

34.



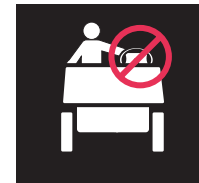
NO SMOKING

35.



HOT SURFACE

36.



OPERATE
FROM
DRIVERS SIDE
ONLY

Fig. 6 Pictogram Definitions (Continued)

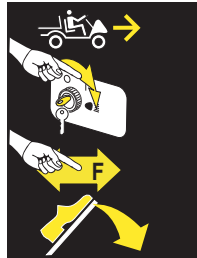
LABELS AND PICTOGRAMS

37.



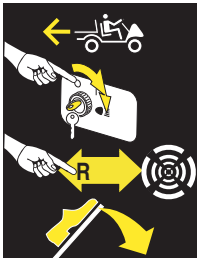
KEEP ARMS
AND LEGS
WITHIN VEHICLE

38.



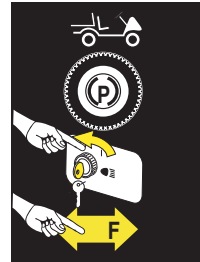
TO OPERATE VEHICLE IN FORWARD:
* TURN KEY TO ON
* MOVE DIRECTION SELECTOR TO
FORWARD
* DEPRESS ACCELERATOR PEDAL
AND ACCELERATE SMOOTHLY

39.



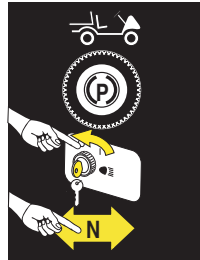
TO OPERATE VEHICLE IN REVERSE:
* TURN KEY TO ON
* MOVE DIRECTION SELECTOR TO
REVERSE
* AN AUDIBLE DEVICE WILL SOUND
* DEPRESS ACCELERATOR PEDAL
AND ACCELERATE SMOOTHLY

40.



TO LEAVE A GASOLINE POWERED
VEHICLE IN PARK:
* APPLY PARKING BRAKE
* TURN KEY TO OFF
* MOVE DIRECTION SELECTOR TO
FORWARD

41.



TO LEAVE AN ELECTRIC POWERED
VEHICLE IN PARK:
* APPLY PARKING BRAKE
* TURN KEY TO OFF
* MOVE DIRECTION SELECTOR TO
NEUTRAL

42.



KEEP CLEAR
HAND OR
FINGERS CAN
BE TRAPPED


Ref Pic 1-55

Fig. 7 Pictogram Definitions (Continued)

LABELS AND PICTOGRAMS

43.  ON POSITION

44.  OFF POSITION

45.  HEADLIGHTS

46.  UNLOCKED

47.  LOCKED

Ref Pic 1-6S

48.  DIFFERENTIAL LOCKED


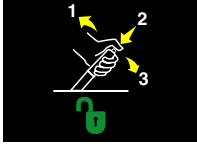





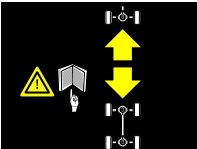



49.  WARNING
KEEP ENTIRE BODY
INSIDE CAR

50.  MAXIMUM
TAILGATE
LOAD

51.  START ⚡ ENGINE
CRANKING
POSITION

Fig. 8 Pictogram Definitions (Continued)




LABELS AND PICTOGRAMS

52.  PULL HANDLE UP TO ENGAGE PARK BRAKE
53.  PULL HANDLE UP, PUSH BUTTON IN, PUSH HANDLE DOWN TO RELEASE PARK BRAKE
54.  **WARNING**
READ OWNER'S MANUAL BEFORE OPERATING VEHICLE IN FORWARD OR REVERSE
55.  **WARNING**
READ OWNER'S MANUAL BEFORE PARKING VEHICLE AND LEAVING IT UNATTENDED
56.  FORWARD
 NEUTRAL
 REVERSE
57.  **WARNING**
READ OWNER'S MANUAL BEFORE ENGAGING TWO OR FOUR WHEEL DRIVE
58.  PUSH TOP OF SWITCH TO LOCK DIFFERENTIAL
PUSH BOTTOM OF SWITCH TO UNLOCK DIFFERENTIAL
59.  REAR DIFFERENTIAL LOCK SWITCH
60.  FRONT DIFFERENTIAL LOCK SWITCH.
WARNING
READ OWNER'S MANUAL BEFORE ENGAGING FRONT DIFFERENTIAL LOCK. DO NOT ENGAGE LOCK WHILE FRONT WHEELS ARE TURNED AND VEHICLE IS AT SPEED.

Ref Pic 1-7S

Fig. 9 Pictogram Definitions (Continued)

LABELS AND PICTOGRAMS

- | | | | |
|-----|---|--|-----|
| 61. |  | PUSH TOP PART OF SWITCH
TO RAISE LOAD BED | 66. |
| 62. |  | AUXILIARY LIGHTS | 67. |
| 63. |  | HORN BUTTON | 68. |
| 64. | | | 69. |
| 65. | | | 70. |

Ref Pic 1-8S

Fig. 10 Pictogram Definitions (Continued)

MANUAL INFORMATION

⚠ WARNING ⚠

Avoid driving fast down hill. Sudden stops or change of direction may result in a loss of control. Use service brake

to control speed when traveling down an incline.

Use extra care and reduced speed when driving on poor surfaces, such as loose dirt, wet grass, gravel, etc.

All travel should be directly up or down hills.

Use extra care when driving the vehicle across an incline.

Stay in designated areas and avoid steep slopes. Use the park brake whenever the vehicle is parked.

Keep feet, legs, hands and arms inside vehicle at all times.

Avoid extremely rough terrain.

Check area behind the vehicle before operating in reverse.

Make sure the direction selector is in neutral before attempting to start the vehicle.

Slow down before and during turns. All turns should be executed at reduced speed.

Always bring vehicle to a complete stop before shifting the direction selector.

See GENERAL SPECIFICATIONS for vehicle load and seating capacity.

NOTE

Read and understand the following text and warnings before attempting to service vehicle:

In any product, components will eventually fail to perform properly as the result of normal use, age, wear or abuse.

It is virtually impossible to anticipate all possible component failures or the manner in which each component may fail.

Be aware that a vehicle requiring repair indicates that the vehicle is no longer functioning as designed and therefore should be considered potentially hazardous. Use extreme care when working on any vehicle. When diagnosing, removing or replacing any components that are not operating correctly, take time to consider the safety of yourself and others around you should the component move unexpectedly.

Some components are heavy, spring loaded, highly corrosive, explosive or may produce high amperage or reach high temperatures. Gasoline, carbon monoxide, battery acid and

hydrogen gas could result in serious bodily injury to the technician/mechanic and bystanders if not treated with the utmost caution. Be careful not to place hands, face, feet or body in a location that could expose them to injury should an unforeseen situation occur.

Always use the appropriate tools listed in the tool list and wear approved safety equipment.

⚠ WARNING ⚠

To prevent personal injury or death, observe the following:

Before working on the vehicle, remove all jewelry (rings, watches, necklaces, etc.).

Be sure no loose clothing or hair can contact moving parts.

Use care not to touch hot objects.

Raise rear of vehicle and support on jack stands before attempting to run or adjust powertrain.

Wear eye protection when working on or around the vehicle. In particular, use care when working around batteries, using solvents or compressed air.

Hydrogen gas is formed when charging batteries. Do not charge batteries without adequate ventilation.

Do not permit open flame or anyone to smoke in an area that is being used for charging batteries. A concentration of 4% hydrogen gas or more is explosive.

⚠ WARNING ⚠

Engine exhaust gas (carbon monoxide) is deadly. Carbon monoxide is an odorless, colorless gas that is formed as a

natural part of incomplete combustion of hydrocarbon fuels. Carbon monoxide is a dangerous gas that can cause unconsciousness and is potentially lethal.

The following are symptoms of carbon monoxide inhalation:

Dizziness, Vomiting, Intense headache, Muscular twitching, Weakness and sleepiness, Throbbing in temples.

If any of these symptoms are experienced, get fresh air immediately. Never work around or operate a vehicle in an environment that does not ventilate exhaust gases from the area.

P/N 28980-G01-GB
ISSUED: 11/2003



A Textron Company

E-Z-GO Division of Textron, Inc.
P.O. Box 388 Augusta, Georgia 30903-0388 USA
Inside USA Phone: 1-800-241-5855, FAX: 1-800-448-8124
Outside USA Phone: 010-1-706-798-4311, FAX: 010-1-706-771-4609

Copyrighted Material
This manual may not be reproduced in whole or
in part without the express permission of
E-Z-GO Division of Textron, Inc.
Technical Communications Department