



A Textron Company

Service Parts Manual

GASOLINE POWERED VEHICLE



634465

ISSUED AUGUST 2013

SERVICE PARTS MANUAL

GASOLINE POWERED GOLF CARS

TXT FLEET

TXT FREEDOM

TXT SHUTTLE 2+2

STARTING MODEL YEAR 2014

DISCLAIMER: The E-Z-GO Division of Textron Inc. (E-Z-GO) reserves the right to incorporate engineering and design changes to products in this Manual, without obligation to include these changes on units leased/sold previously.

The information contained in this Manual may be revised periodically E-Z-GO, and therefore is subject to change without notice.

E-Z-GO DISCLAIMS LIABILITY FOR ERRORS IN THIS MANUAL, and E-Z-GO SPECIFICALLY DISCLAIMS LIABILITY FOR INCIDENTAL AND CONSEQUENTIAL DAMAGES RESULTING FROM THE USE OF THE INFORMATION AND MATERIALS IN THIS MANUAL.

TO CONTACT US

NORTH AMERICA:

TECHNICAL ASSISTANCE & WARRANTY PHONE: 1-800-774-3946, FAX: 1-800-448-8124

SERVICE PARTS PHONE: 1-888-GET-EZGO (1-888-438-3946), FAX: 1-800-752-6175

INTERNATIONAL: PHONE: 001-706-798-4311, FAX: 001-706-771-4609

E-Z-GO DIVISION OF TEXTRON INC., 1451 MARVIN GRIFFIN RD., AUGUSTA, GEORGIA USA 30906-3852

GENERAL INFORMATION

To obtain a copy of the limited warranty applicable to the vehicle, call or write a local Distributor, authorized Branch or the Warranty Department with vehicle serial number and manufacturer code.

The use of non Original Equipment Manufacturer (OEM) approved parts may void the warranty.

Tampering with or adjusting the governor to permit vehicle to operate at above factory specifications will void the vehicle warranty.

When servicing engines, all adjustments and replacement components must be per original vehicle specifications in order to maintain the United States of America Federal and State emission certification applicable at the time of manufacture.

BATTERY PROLONGED STORAGE

All batteries will self discharge over time. The rate of self discharge varies depending on the ambient temperature and the age and condition of the batteries.

A fully charged battery will not freeze in winter temperatures unless the temperature falls below -75° F (-60° C).

BATTERY DISPOSAL

Lead-acid batteries are recyclable. Return whole scrap batteries to distributor, manufacturer or lead smelter for recycling. For neutralized spills, place residue in acid-resistant containers with absorbent material, sand or earth and dispose of in accordance with local, state and federal regulations for acid and lead compounds. Contact local and/or state environmental officials regarding disposal information.

TABLE OF CONTENTS

SECTION	Page No.
HOW TO USE THE SERVICE PARTS MANUAL	v
ACCELERATOR	A
AIR FILTER	B
BODY	C
BODY - FRONT	C - 1
BODY - MID SECTION	C - 5
BODY - REAR	C - 7
BODY - ACCESSORIES	C - 11
BRAKES	D
CARBURETOR AND CHOKE	E
CLUTCH	F
DIRECTION SELECTOR	G
ELECTRICAL	H
ENGINE AND MUFLER	J
ENGINE MOUNTING	K
FRONT SUSPENSION AND STEERING	L
FUEL SYSTEM	M
REAR AXLE	N
REAR SUSPENSION	P
SEATING	Q
SEATING - CONVERTIBLE CARRIER	Q - 1
SEATING AND BAG HOLDER - GOLF CAR	Q - 9
STARTER/GENERATOR	R
TOW BAR	S
PERMANENT	S - 1
CASUAL	S - 5
WEATHER PROTECTION	T
WHEELS AND TIRES	U

NOTES

A large grid of graph paper for taking notes, consisting of 20 columns and 30 rows of small squares.

HOW TO USE THE SERVICE PARTS MANUAL

This manual is divided into several sections:

- GENERAL INFORMATION
- ILLUSTRATED PARTS BREAKDOWN
- APPENDIX

The first section, GENERAL INFORMATION, contains the following information:

- WARRANTY INFORMATION
- GENERAL INDEX
- HOW TO USE THE SERVICE PARTS MANUAL

The second section, ILLUSTRATED PARTS BREAKDOWN, contains illustrations and parts lists for all systems of your vehicle.

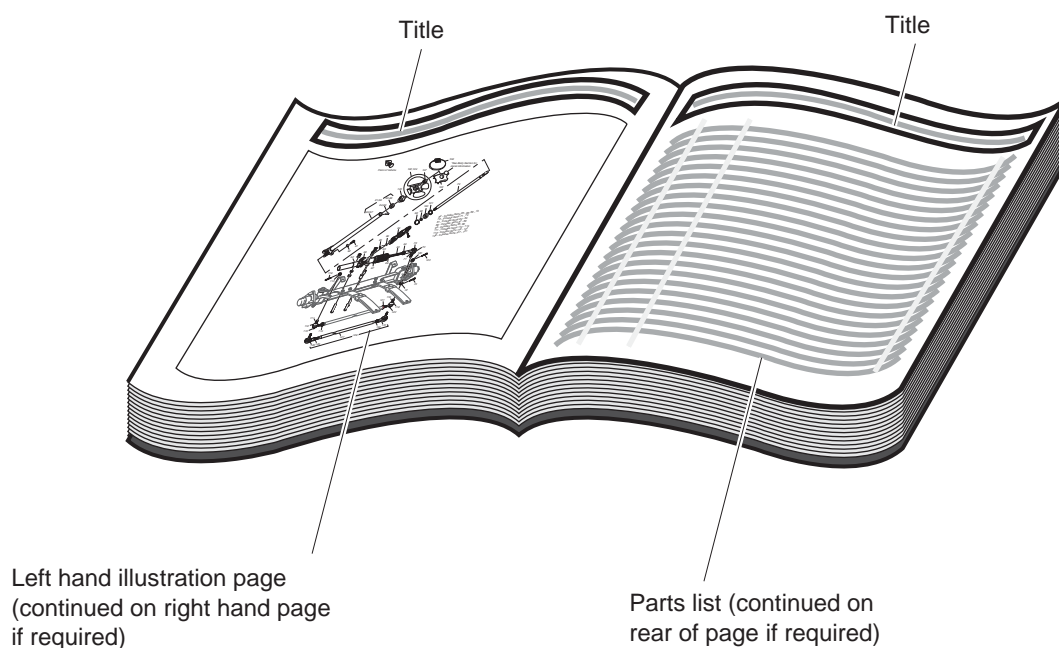
The third section, APPENDIX, contains a listing of specialty products and accessories.

USE OF THE MANUAL

To use this manual, consult the GENERAL INDEX to locate the information or illustration required.

Introduction of some revisions varies due to supply of components; therefore, it is possible that various combinations of components may be found that are not directly reflected by each illustration. Consult the illustration that best suits your situation and then contact the Service Parts Department. It is important that the serial number of your vehicle and its model number be supplied to Service Parts when ordering any replacement components.

Locate the serial number plate (see BODY located in the Illustrated Parts Breakdown section of this manual for its location) and note the complete number shown on the plate.



HOW TO USE THE SERVICE PARTS MANUAL

1. WHEN THE PART NUMBER IS NOT KNOWN

- Determine the function and application of the part required. Turn to the General Index and select the most appropriate title.
- Turn to the page number indicated and locate the desired part on the illustration.
- From the illustration, obtain the item number assigned to the desired part. Refer to the accompanying description for specific information regarding the part.

2. IF YOU KNOW THE PART NUMBER

- Locate the part number or description in the appropriate column on the parts list page.

NOTE: It is suggested that you confirm that the part selected is correct by verifying it with the pictorial representation on the illustrated page.

Should an asterisk (*) appear in the part number column on the parts list page, read upwards until a part number is found. The part number is the lowest assembly sold by Service Parts and the asterisk (*) indicates that the part depicted is not available for purchase.

NOTE: Descriptions are indented under the assembly that they are used on. That assembly is, in turn listed under the assembly that it is used on. This process is repeated until the highest final assembly is reached.

To facilitate the maintenance and repair of the vehicle, a Technician's Repair and Service Manual is available from the Service Parts Department.

HOW TO USE THE SERVICE PARTS MANUAL

3. COLOR CODE FOR BODY COMPONENTS

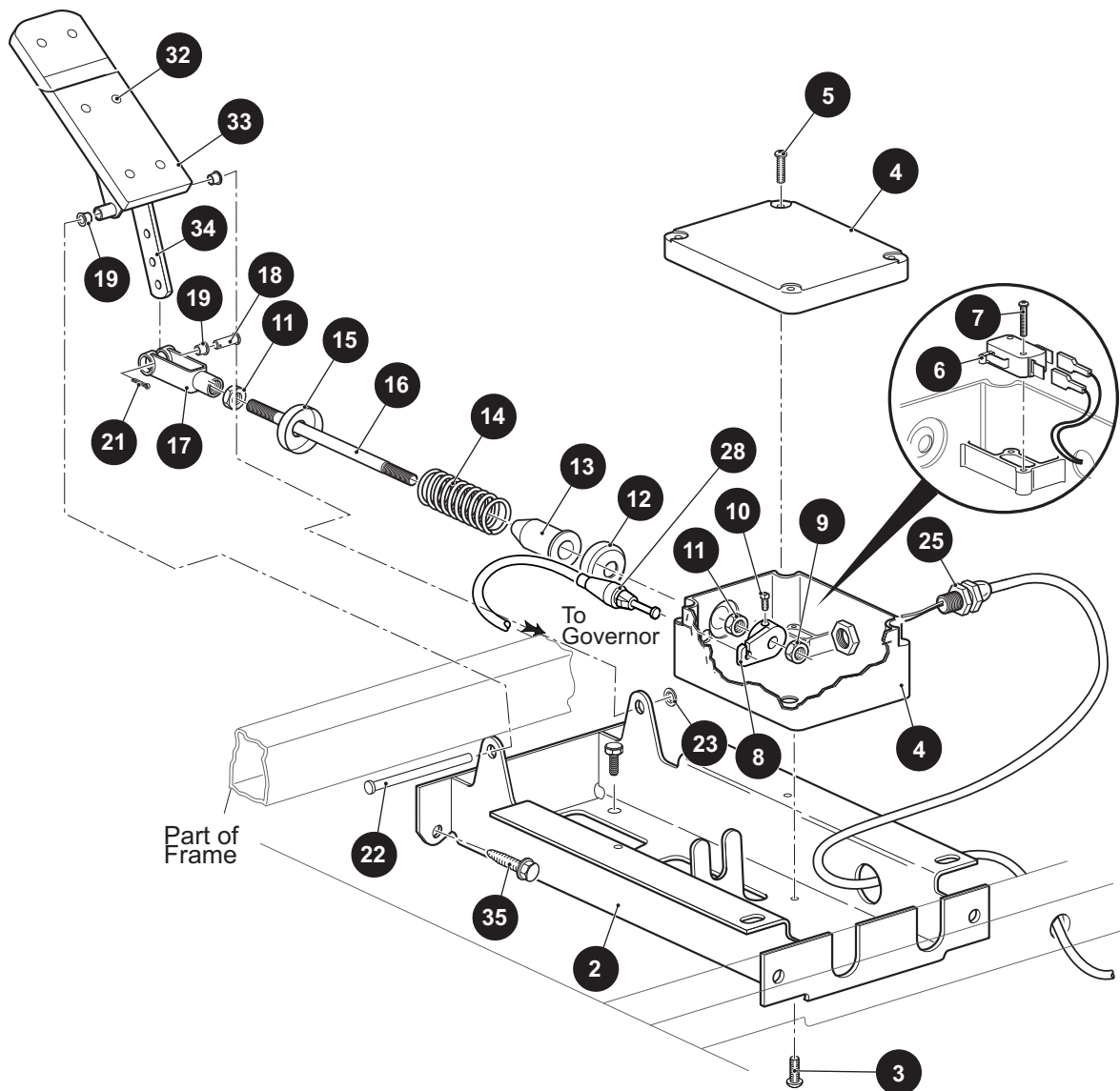
The last two digits of the part number for the body part will denote the color code. Locate the part number for the cowl, rear body, seat pod, side panel or seat wrap then locate your color in the list below. Replace the last ** or XX with the two digit color code.

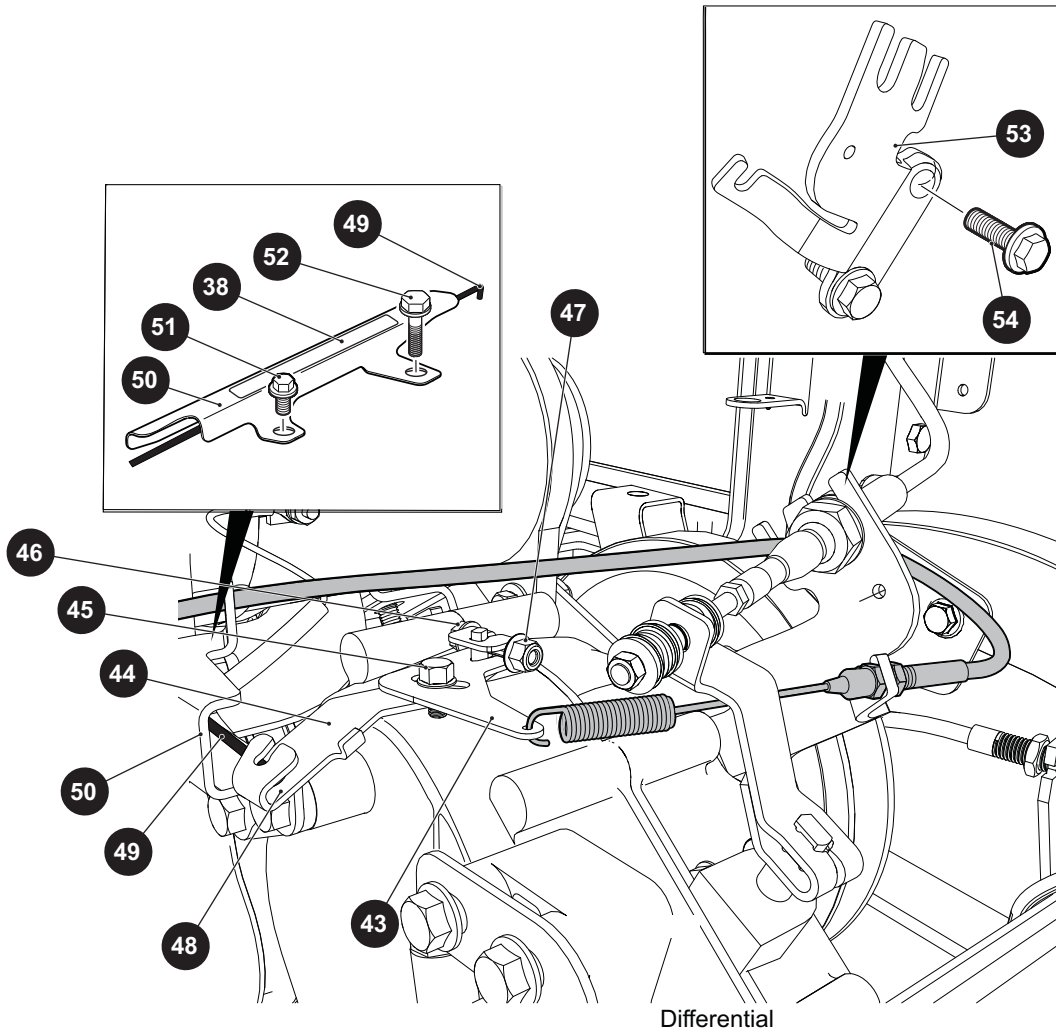
<u>CODE #</u>	<u>DESCRIPTION</u>	<u>CODE #</u>	<u>DESCRIPTION</u>
05	JACOBSEN ORANGE	105	JACOBSEN ORANGE (WITH LIGHTS)
11	BLACK	111	BLACK (WITH LIGHTS)
19	PATRIOT BLUE PEARL	119	PATRIOT BLUE PEARL (WITH LIGHTS)
20	INFERNO RED METALLIC	120	INFERNO RED METALLIC (WITH LIGHTS)
26	STEEL BLUE PEARL	126	STEEL BLUE PEARL (WITH LIGHTS)
31	METALLIC CHARCOAL	131	METALLIC CHARCOAL (WITH LIGHTS)
35	SAFETY YELLOW	135	SAFETY YELLOW (WITH LIGHTS)
36	IVORY	136	IVORY (WITH LIGHTS)
37	FOREST GREEN	137	FOREST GREEN (WITH LIGHTS)
38	BRIGHT WHITE	138	BRIGHT WHITE (WITH LIGHTS)
39	FLAME RED	139	FLAME RED (WITH LIGHTS)
41	ELECTRIC BLUE	141	ELECTRIC BLUE (WITH LIGHTS)
42	PLATINUM	142	PLATINUM (WITH LIGHTS)
43	BURGUNDY	143	BURGUNDY (WITH LIGHTS)
44	ALMOND	144	ALMOND (WITH LIGHTS)
51	SUNBURST ORANGE	151	SUNBURST ORANGE (WITH LIGHTS)
52	BRITISH RACING GREEN	152	BRITISH RACING GREEN (WITH LIGHTS)
74	BARLEY GOLD	174	BARLEY GOLD (WITH LIGHTS)
75	OASIS GREEN	175	OASIS GREEN (WITH LIGHTS)
76	JAVA BROWN	176	JAVA BROWN (WITH LIGHTS)

ACCELERATOR

1 PEDAL BOX ASSEMBLY includes items 2 - 34

30 ACCELERATOR PEDAL ASSEMBLY includes items 32 - 34





ACCELERATOR

When ordering parts, please specify the model and serial number of the product.

* Indicates a component that is not available as an individual part.

*** Indicates consult Customer Service Department for additional information.

ITEM	PART NO.	1 2 3 4 5	DESCRIPTION	QTY.
1	606990		PEDAL BOX ASSEMBLY (INCLUDES ITEMS 2 - 34)	1
2	70116G02		ACCELERATOR PEDAL BRACKET	1
3	01051G01		PHILLIPS PAN HEAD SCREW, #8 - 16 X 1/2" LG	4
4	25853G03		PEDAL BOX AND COVER	1
5	00684G6		PHILLIPS TRUSS HEAD MACHINE SCREW (SS), #8 - 32 X 3/4" LG	2
6	25861G01		MICRO SWITCH	1
7	01050G01		PAN TORX HEAD TAPPING SCREW, #4 - 20 X 5/8" LG	2
8	72716G01		MICRO SWITCH CAM	1
9	15126G1		LOCK NUT, 5/16" - 24	1
10	00487G3		SET SCREW, 1/4" - 20 X 3/8" LG	1
11	00532G4		HEX JAM NUT, 5/16" - 24	2
12	17677G1		SPRING RETAINER	1
13	17979G1		ACCELERATOR ROD BUSHING	1
14	73046G01		COMPRESSION SPRING	1
15	17677G2		SPRING RETAINER	1
16	72072G01		ACCELERATOR ROD	1
17	10385G4		CLEVIS YOKE (ADJUSTABLE)	1
18	10386G3		CLEVIS PIN, 5/16" X 13/16" LG	1
19	17838G1		NYLON BUSHING	3
20				
21	10387G3		COTTER PIN, 3/32" X 3/4" LG	1
22	74432G01		PEDAL PIVOT PIN, 4.87" LG	1
23	12064G6		PUSH NUT, 9/32"	1
24	12730G1		WHEEL BEARING GREASE (NOT ILLUSTRATED)	A/R
25	72201G04		WIRE HARNESS (PEDAL BOX)	1
26	18659G1		ADHESIVE, THREAD LOCKING (NOT ILLUSTRATED)	A/R
27				
28	608608		ACCELERATOR CABLE	1
29				

ACCELERATOR

When ordering parts, please specify the model and serial number of the product.

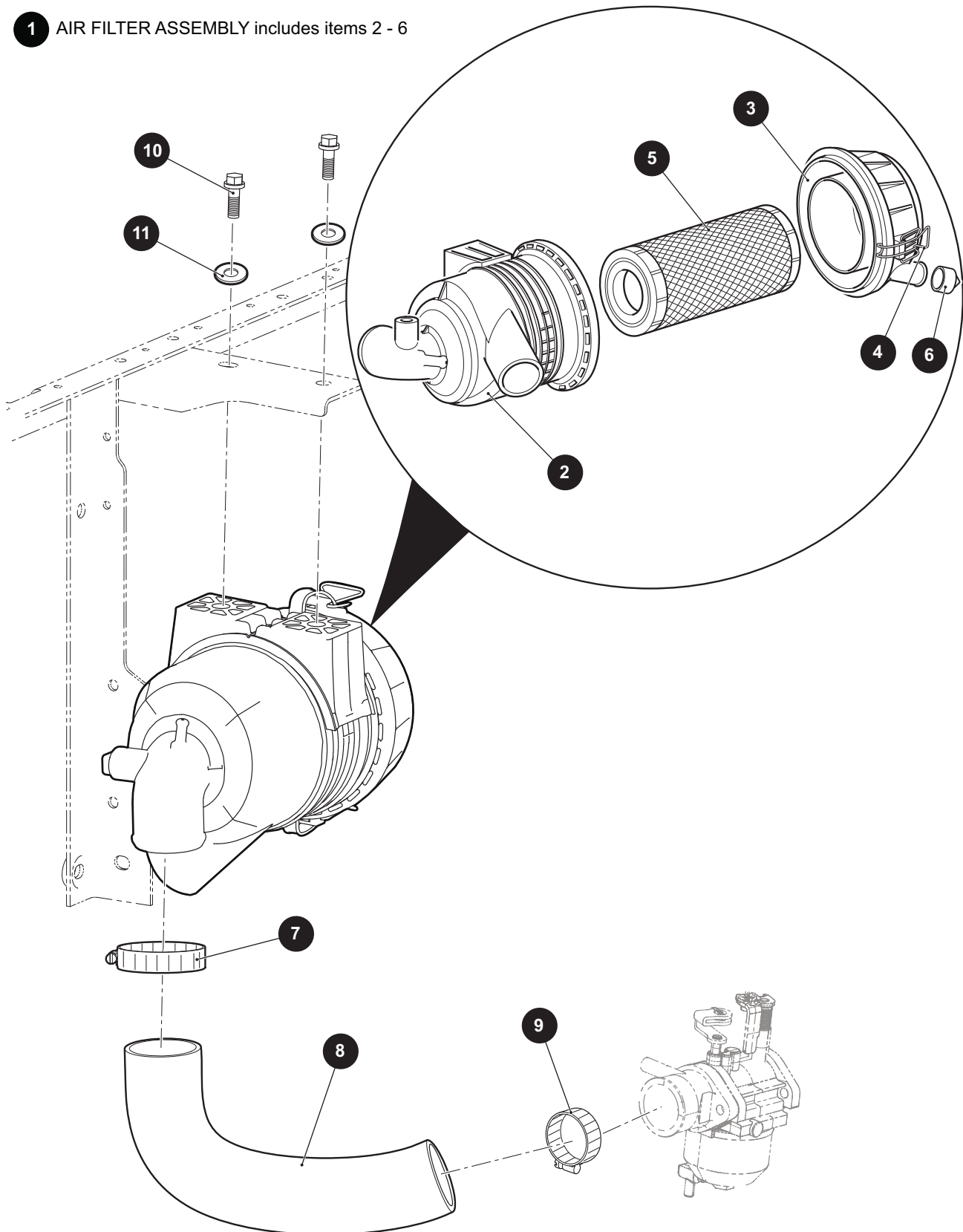
* Indicates a component that is not available as an individual part.

*** Indicates consult Customer Service Department for additional information.

ITEM	PART NO.	1 2 3 4 5	DESCRIPTION	QTY.
30	25799G03		ACCELERATOR PEDAL ASSEMBLY (INCLUDES ITEMS 32 - 34)	1
31				
32	16409G1		OVAL RIVET, 3/16" X 7/16" LG	6
33	27512G01		ACCELERATOR PEDAL PAD	1
34	70125G04		ACCELERATOR PEDAL	1
35	00715G2		HEX HEAD FLANGE BOLT, 5/16" - 18 X 4/5" LG	4
36				
37				
38	608527		GOVERNOR WARNING DECAL	1
39				
40				
41				
42				
43	606083		UPPER GOVERNOR BRACKET	1
44	606005		LOWER GOVERNOR BRACKET	1
45	606265		HEX HEAD FLANGE BOLT, M6 - 1 X 12MM LG	1
46	606421		HEX HEAD FLANGE BOLT, M6 - 1 X 30MM LG	1
47	450452		HEX HEAD FLANGE NUT, M6 - 1.0	1
48	606283		GOVERNOR LEVER BUSHING	1
49	606284		GOVERNOR ROD	1
50	603890		GOVERNOR ROD GUARD	1
51	606264		HEX HEAD FLANGE BOLT, M6 - 1 X 20MM LG	1
52	606262		HEX HEAD FLANGE BOLT, M8 - 1.25 X 16MM LG	1
53	606074		GOVERNOR CABLE / DIRECTION SELECTOR BRACKET	1
54	606256		HEX HEAD FLANGE BOLT, M10 - 1.25 X 25MM LG	2

AIR FILTER

1 AIR FILTER ASSEMBLY includes items 2 - 6



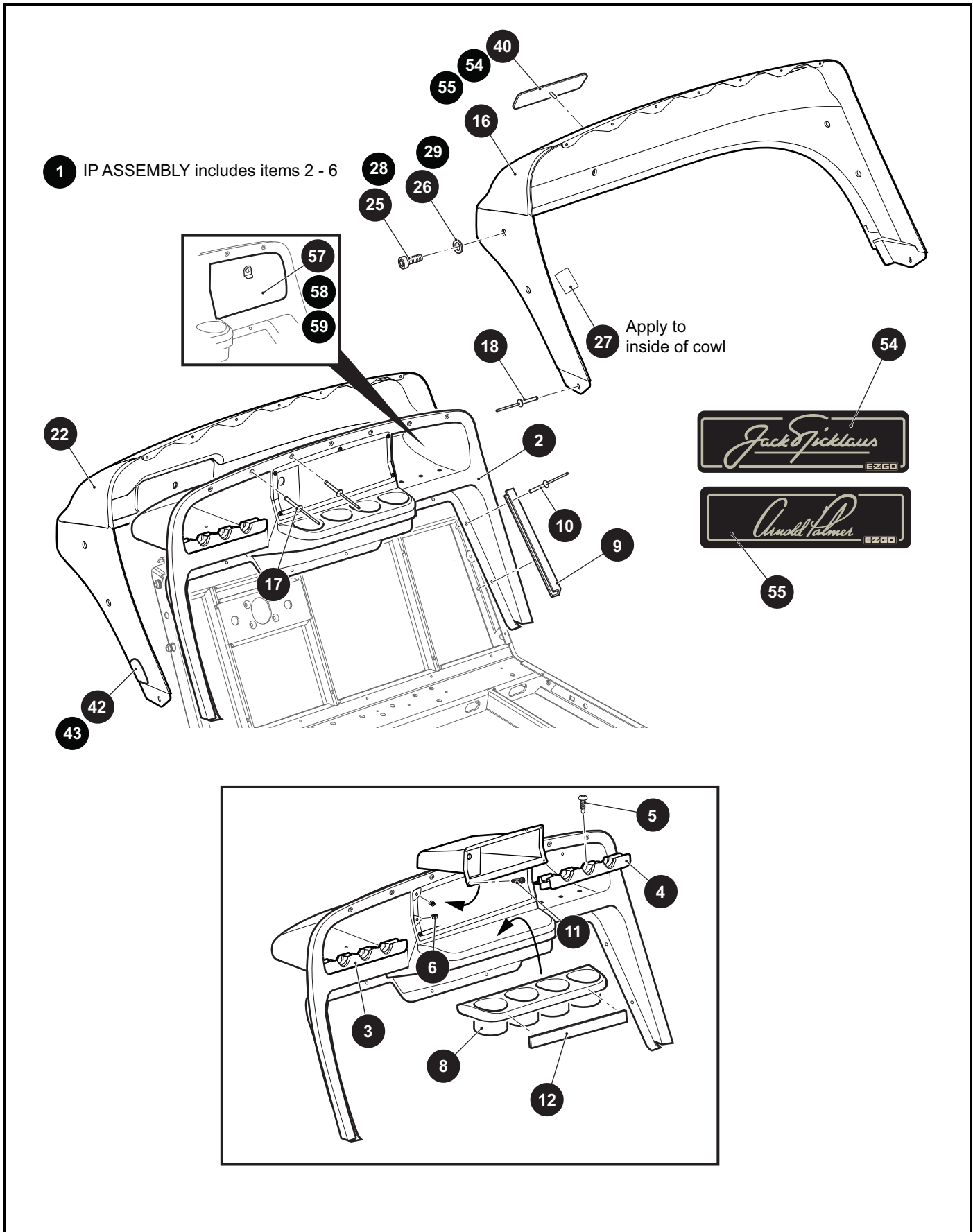
When ordering parts, please specify the model and serial number of the product.

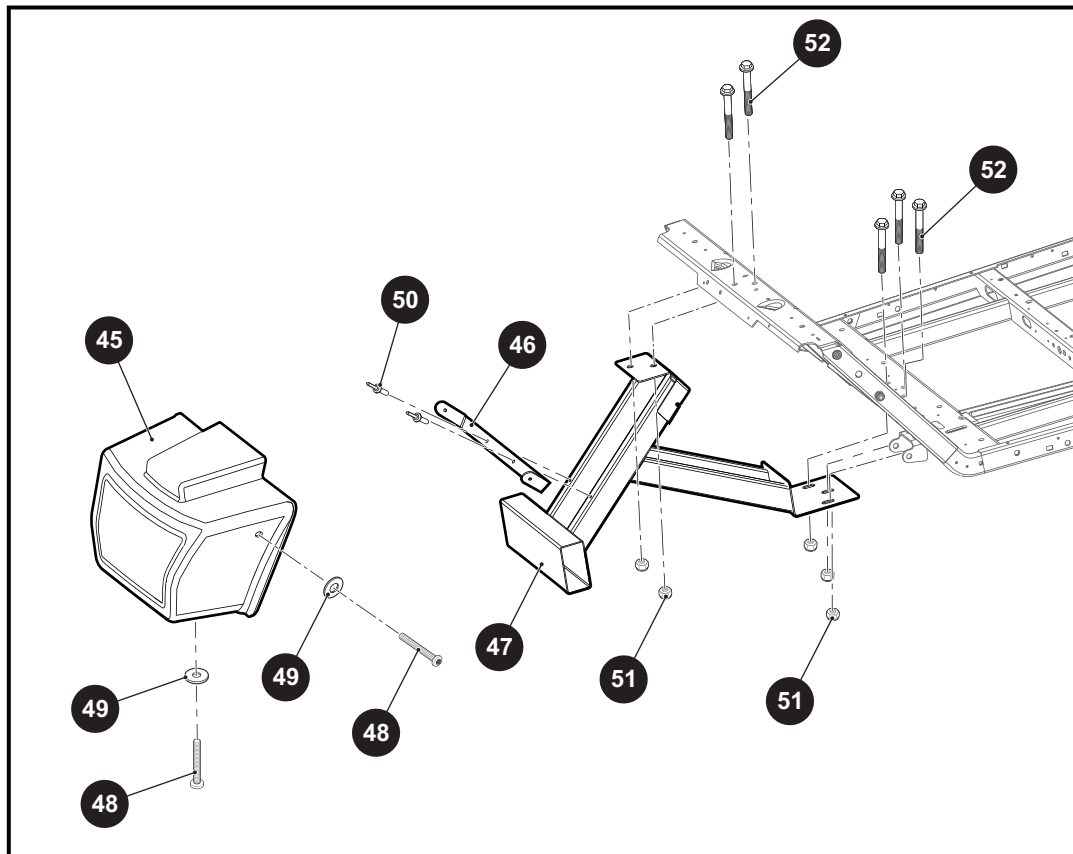
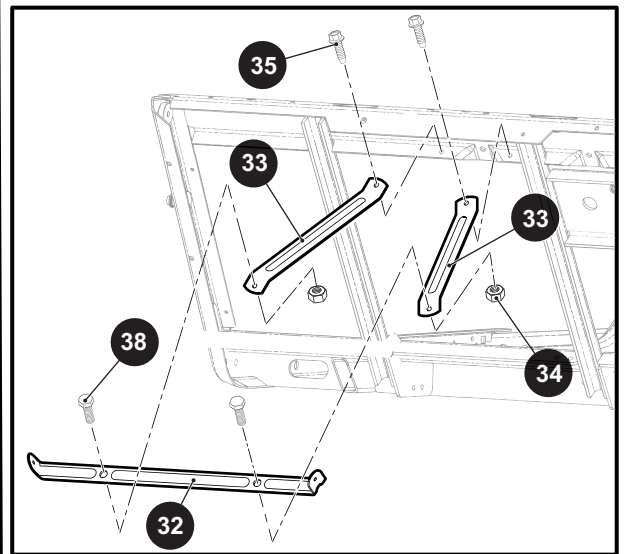
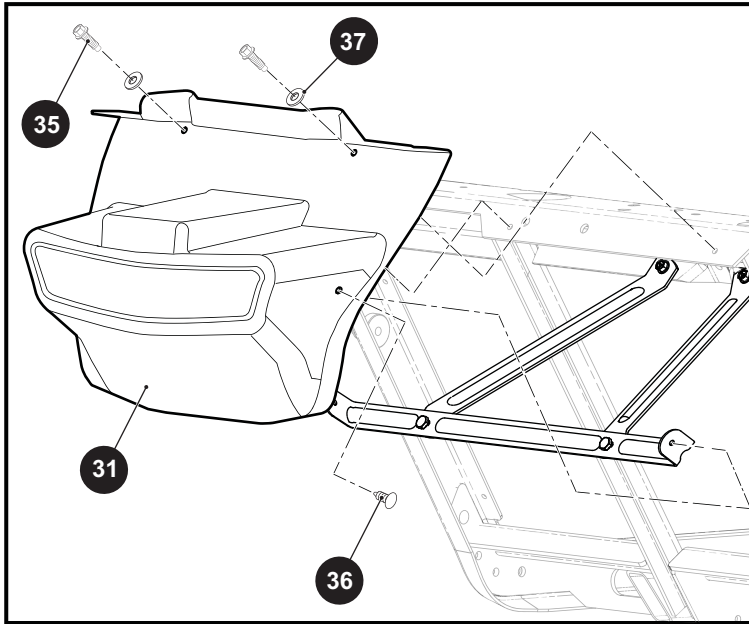
* Indicates a component that is not available as an individual part.

*** Indicates consult Customer Service Department for additional information.

ITEM	PART NO.	1 2 3 4 5	DESCRIPTION	QTY.
1	614852		AIR FILTER ASSEMBLY (INCLUDES ITEMS 2 - 6)	1
2	615390		AIR CLEANER ASSEMBLY.....	1
3	72599G01		AIR CLEANER COVER.....	1
4	72604G01		AIR CLEANER CLIP.....	2
5	28463G01		AIR FILTER	1
6	28462G01		DUST EJECTOR VALVE	1
7	11391G7		HOSE CLAMP, 1.56".....	1
8	607950		HOSE.....	1
9	11391G1		HOSE CLAMP, 1.31".....	1
10	606261		HEX HEAD FLANGE BOLT, M8 X 1.25 X 20MM LG	2
11	606272		LOCK WASHER, 8MM.....	2

BODY - FRONT





BODY - FRONT

When ordering parts, please specify the model and serial number of the product.

* Indicates a component that is not available as an individual part.

*** Indicates consult Customer Service Department for additional information.

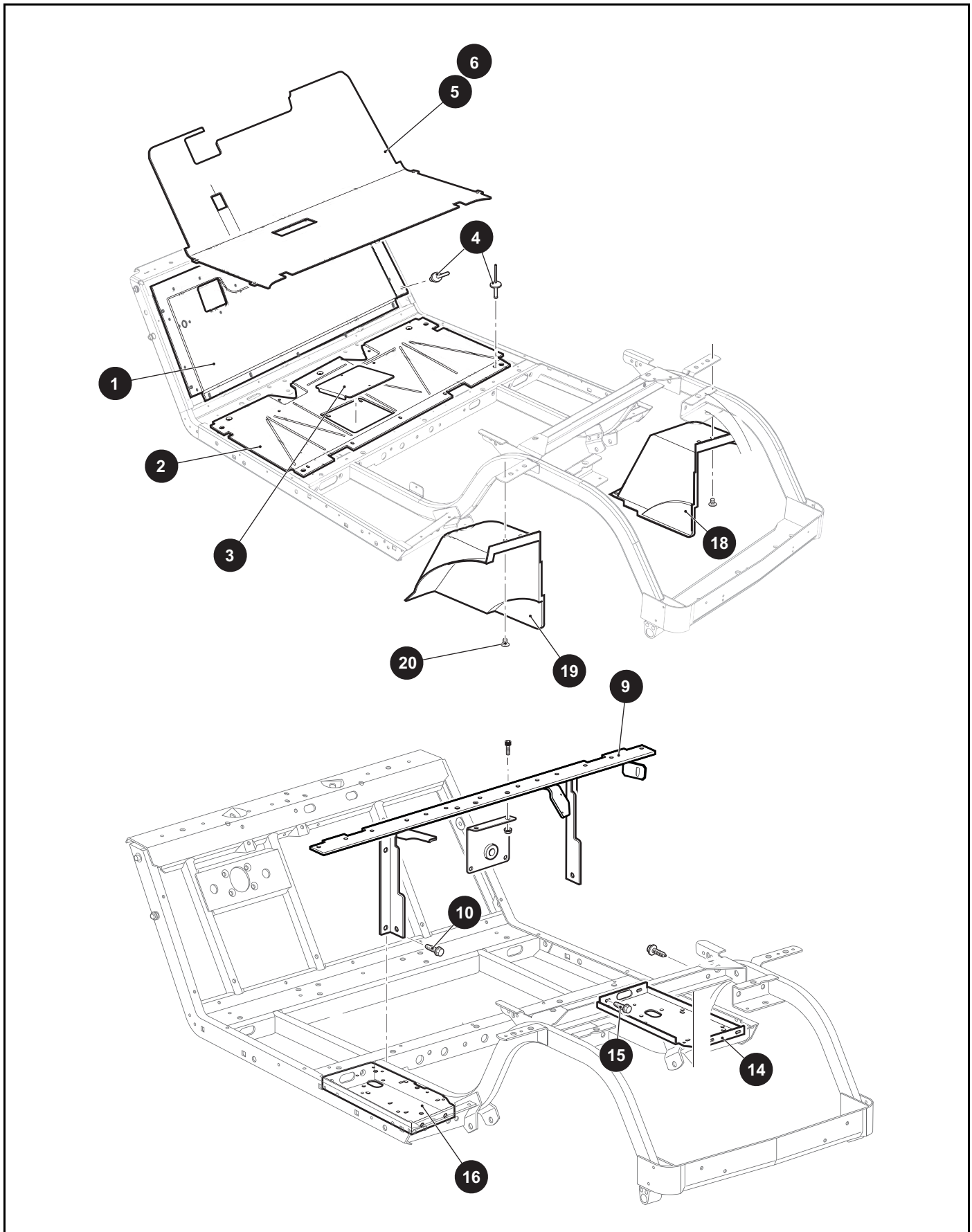
ITEM	PART NO.	1 2 3 4 5	DESCRIPTION	QTY.
1	628017		IP ASSEMBLY (INCLUDES ITEMS 2 - 6)	1
2	628010		IP ASSEMBLY WITH COMPARTMENT.....	1
3	628024		BALL HOLDER (DRIVER SIDE)	1
4	628026		BALL HOLDER (PASSENGER SIDE)	1
5	00614G5		PHILLIPS PAN HEAD TAPPING SCREW, #8 - 18 X 5/8" LG	4
6	71364G02		'J' TYPE SPEED NUT, #8 - 15 X .198" LG	5
7				
8	628023		CUP HOLDER	1
9	71115G01		TRIM - LDPE	2
10	71055G01		RIVET, 3/16" X .985" DIA	11
11	608290		PHILLIPS PAN HEAD TAPPING SCREW, #10 - 16 X 3/4" LG	5
12	625240		SAFETY LABEL	1
13				
14				
15				
16	619730G0XX		COWL (see COLOR CODES in HOW TO USE section).....	1
17	71055G01		RIVET, 3/16" X .985" DIA	7
18	10570G11		RIVET (SS), 3/16" X .70"	2
19				
20				
21				
22	619730G1XX		COWL WITH OPENINGS FOR LIGHTS (see COLOR CODES in HOW TO USE section)	1
23				
24				
25	00438G6		HEX HEAD BOLT, 5/16" - 18 X 3/4" LG (WITH TOP).....	2
26	00571G2		FLAT WASHER, 5/16"	2
27	71781G02		VINYL TAPE	2
28	71056G01		MACHINE SCREW, 5/16" - 18 X 0.62" LG (WITHOUT TOP)	4
29	00570G2		FLAT WASHER, 5/16"	4
30				
31	624607		FRONT SHIELD	1

When ordering parts, please specify the model and serial number of the product.

* Indicates a component that is not available as an individual part.

*** Indicates consult Customer Service Department for additional information.

ITEM	PART NO.	1 2 3 4 5	DESCRIPTION	QTY.
32	627769		SHIELD BRACKET	1
33	70725G02		FRONT SHIELD BRACE	2
34	14390G4		PLASTIC INSERT LOCK NUT, 1/4" - 20.....	2
35	01038G01		SWAGEFORM SCREW, 1/4" - 20 X 11/16" LG	4
36	15058G1		RIVET, 3/16" X .45" LG	2
37	16469G1		FLAT WASHER, 1/4".....	2
38	00414G6		HEX HEAD BOLT, 1/4" - 20 X 3/4" LG	2
39				
40	606405		E-Z-GO NAMEPLATE	1
41				
42	627561		REFLECTOR (DRIVER SIDE) (FREEDOM & 2+2).....	1
43	627562		REFLECTOR (PASSENGER SIDE) (FREEDOM & 2+2).....	1
44				
45	634329		BUMPER ASSEMBLY.....	1
46	625208		BUMPER BRACE	1
47	625202		BUMPER SUPPORT WELDMENT	1
48	627566		TAPPING SOCKET SCREW, 1/4" - 20 X 1.60" LG.....	3
49	627565		FLAT WASHER (SS), 1/4"	3
50	71055G01		RIVET, 3/16" X .985" DIA	2
51	00734G1		PLASTIC INSERT LOCK NUT, 7/16" - 14.....	5
52	00463G11		HEX HEAD BOLT, 7/16" - 14 X 1 5/8" LG	5
53				
54	634299		JACK NICKLAUS NAMEPLATE	1
55	634297		ARNOLD PALMER NAMEPLATE	1
56				
57	75459G01		GLOVE BOX (DRIVER/PASSENGER SIDE).....	1
58	75459G02		GLOVE BOX (DRIVER SIDE).....	1
59	75459G03		GLOVE BOX (PASSENGER SIDE)	1



When ordering parts, please specify the model and serial number of the product.

* Indicates a component that is not available as an individual part.

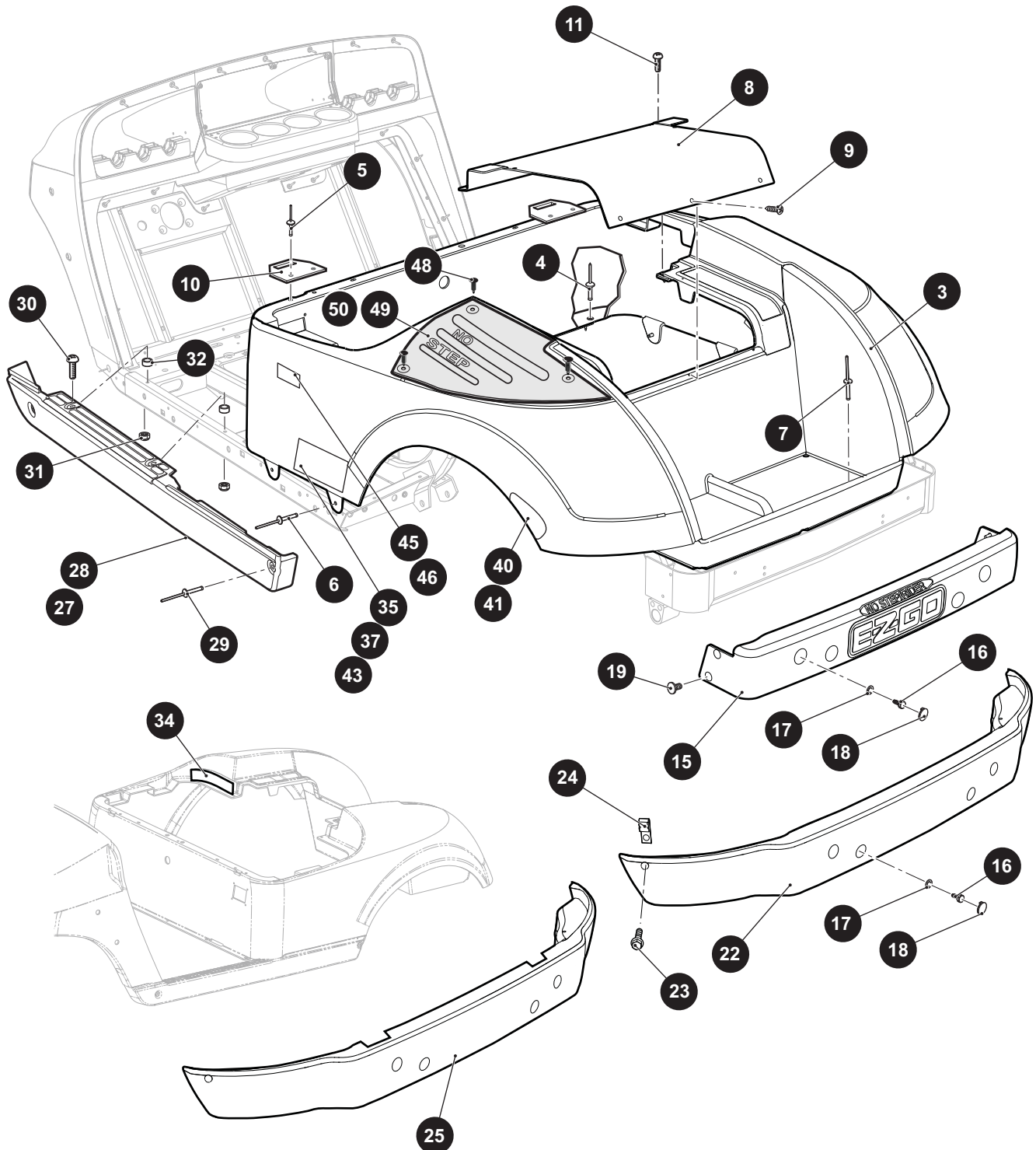
*** Indicates consult Customer Service Department for additional information.

ITEM	PART NO.	1 2 3 4 5	DESCRIPTION	QTY.
1	70662G01		UPPER FLOORPAN	1
2	70451G01		LOWER FLOORPAN	1
3	70452G01		ACCESS COVER.....	1
4	14601G11		RIVET, 3/16" X 9/16" LG, ALUMINUM	16
5	634355G01		FLOORMAT	1
6	634355G02		FLOORMAT WITH HORN HOLE (FREEDOM & 2+2)	1
7				
8				
9	605694		SEAT FRAME	1
10	00715G2		HEX HEAD FLANGE BOLT, 5/16" - 18 X 4/5" LG.....	2
11				
12				
13				
14	70244G03		SPLASH PANEL	2
15	00715G2		HEX HEAD FLANGE BOLT, 5/16" - 18 X 4/5" LG.....	8
16	600496		BATTERY TRAY.....	1
17				
18	635054G02		FENDER LINER (PASSENGER SIDE).....	1
19	635054G01		FENDER LINER (DRIVER SIDE)	1
20	16816G2		RATCHET FASTENER, 1/4" X 3/4" LG.....	8

BODY - REAR

1 REAR BODY (WITHOUT TAILLIGHTS) includes items 3 - 11

2 REAR BODY (WITH TAILLIGHTS) includes items 3 - 11



When ordering parts, please specify the model and serial number of the product.

* Indicates a component that is not available as an individual part.

*** Indicates consult Customer Service Department for additional information.

ITEM	PART NO.	1 2 3 4 5	DESCRIPTION	QTY.
1	625272G0XX		REAR BODY (WITHOUT TAILLIGHTS) (INCLUDES ITEMS 3 - 11) (see COLOR CODES in HOW TO USE section)	1
2	625272G1XX		REAR BODY (WITH TAILLIGHTS) (INCLUDES ITEMS 3 - 11) (see COLOR CODES in HOW TO USE section)	1
3	624374		BAGWELL LINER.....	1
4	10570G10		RIVET (SS), 5/32" X 9/16" LG	5
5	10570G11		RIVET (SS), 3/16" X .70" LG	4
6	10570G12		RIVET (SS), 1/4" X 9/16" LG	4
7	633917		PLASTIC RIVET, 1/4" X 1" LG.....	2
8	71320G01		ACCESS COVER	1
9	01107G01		TORX PAN HEAD SCREW, #8 X .63" LG	5
10	71609G01		SEAT HINGE PLATE	2
11	16816G2		RATCHET FASTENER, 1/4" X 3/4" LG	2
12				
13				
14				
15	71578G01		REAR BUMPER.....	1
16	71102G01		HEX HEAD BOLT, 1/4" - 20 X 3/4" LG	4
17	00571G2		FLAT WASHER, 5/16".....	4
18	71514G01		BUMPER PLUG.....	4
19	14601G17		RIVET, 3/16" X 9/16" LG, ALUMINUM	4
20				
21				
22	71456G01		REAR BUMPER (2+2)	1
23	71102G03		HEX HEAD BOLT, 1/4" - 20 X 1 1/4" LG	2
24	71554G01		'J' TYPE NUT RETAINER, 1/4" - 20.....	2
25	71451G02		REAR BUMPER (2+2)	1
26				
27	615239		ROCKER PANEL WITH SILL PLATE (DRIVER SIDE)	1
28	617333		ROCKER PANEL WITH SILL PLATE (PASSENGER SIDE).....	1
29	15058G6		BLACK RIVET, 3/16", ALUMINUM.....	4
30	634161		HEXALOBULAR FLANGE BOLT, M6 - 1 X 34.5MM LG	4

BODY - REAR

When ordering parts, please specify the model and serial number of the product.

* Indicates a component that is not available as an individual part.

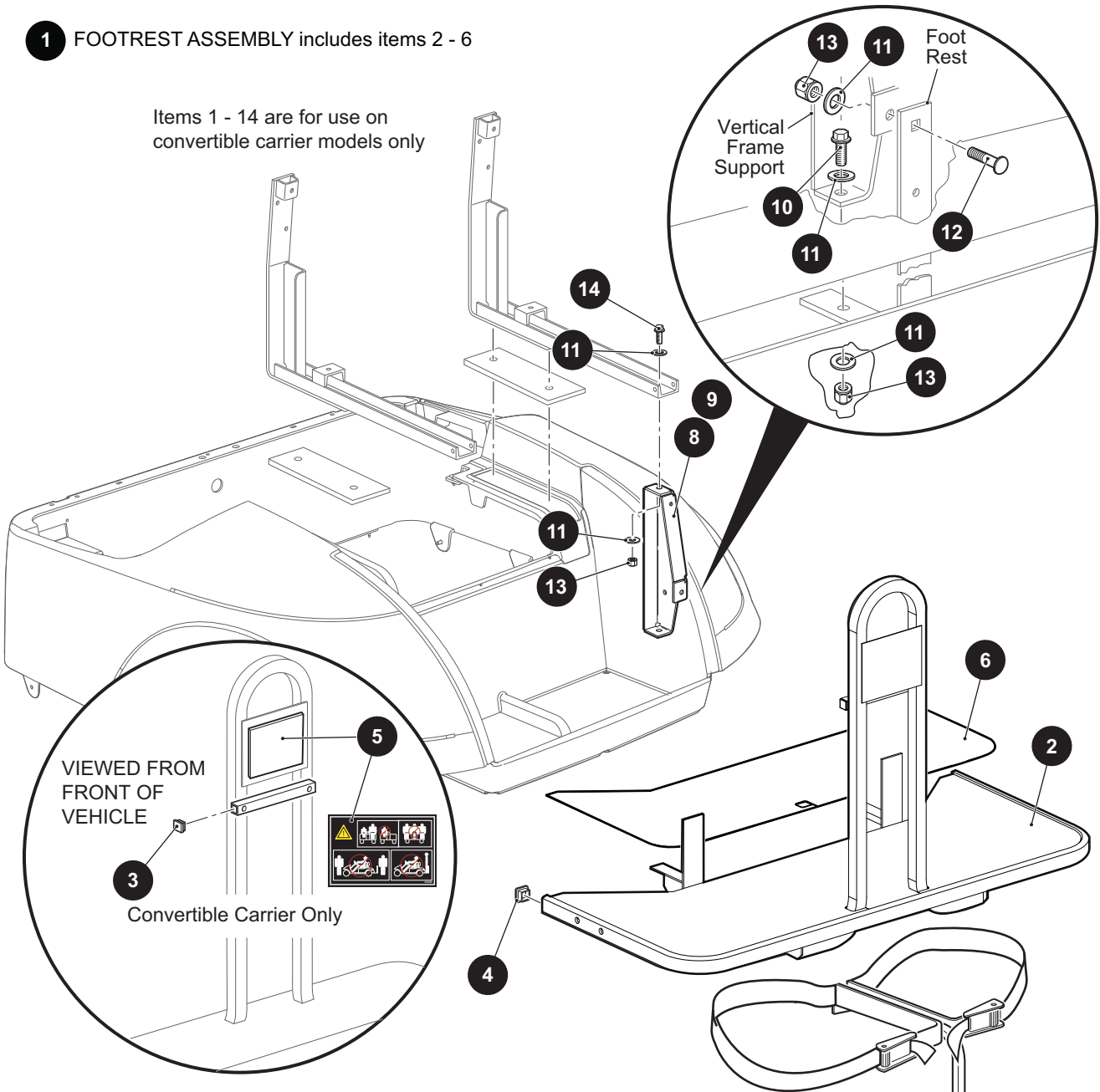
*** Indicates consult Customer Service Department for additional information.

ITEM	PART NO.	1 2 3 4 5	DESCRIPTION	QTY.
31	601476		LOCK NUT, M6 - 1.....	4
32	23726G4		SPACER, 5/16"	4
33				
34	74093G01		ENGINE WARNING DECAL.....	1
35	614202		DECAL, FLEET	2
36				
37	614386		DECAL, FREEDOM.....	2
38	625244		REAR REFLECTORS (DRIVER SIDE) (FREEDOM & 2+2) (NOT ILLUSTRATED)	1
39	625246		REAR REFLECTORS (PASSENGER SIDE) (FREEDOM & 2+2) (NOT ILLUSTRATED)	1
40	627563		SIDE REFLECTORS (DRIVER SIDE) (FREEDOM & 2+2).....	1
41	627564		SIDE REFLECTORS (PASSENGER SIDE) (FREEDOM & 2+2)	1
42				
43	614453		DECAL, 2+2	2
44				
45	604847		GOLDEN BEAR DECAL.....	2
46	604850		UMBRELLA DECAL	2
47				
48	16816G2		RATCHET RIVET, 0.25" X 0.887"	6
49	625210		REAR SCUFF PAD (DRIVER SIDE)	1
50	625211		REAR SCUFF PAD (PASSENGER SIDE).....	1

BODY - ACCESSORIES

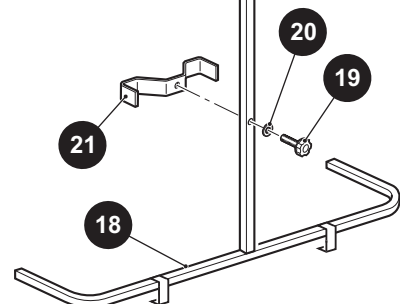
1 FOOTREST ASSEMBLY includes items 2 - 6

Items 1 - 14 are for use on convertible carrier models only



TWO BAG ATTACHMENT

17 TWO BAG ATTACHMENT KIT includes items 18 - 21



BODY - ACCESSORIES

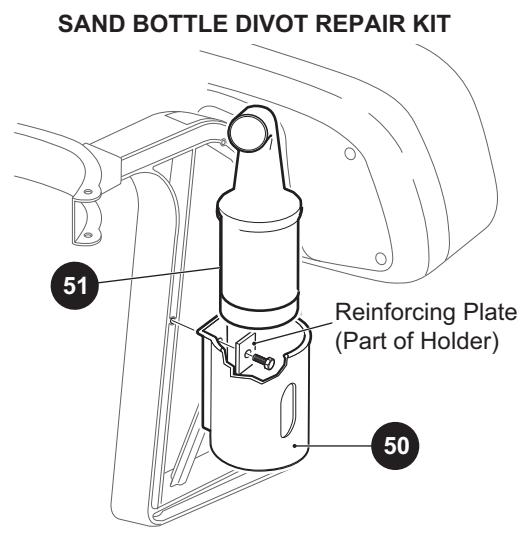
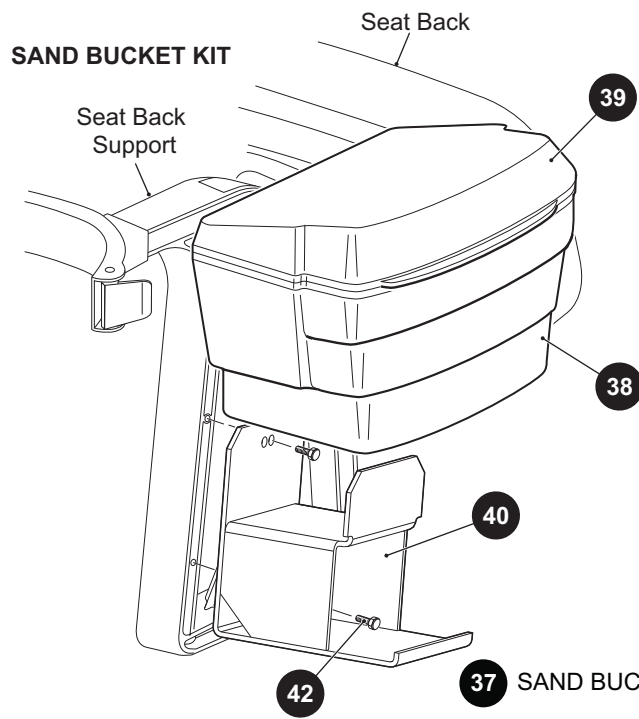
When ordering parts, please specify the model and serial number of the product.

* Indicates a component that is not available as an individual part.

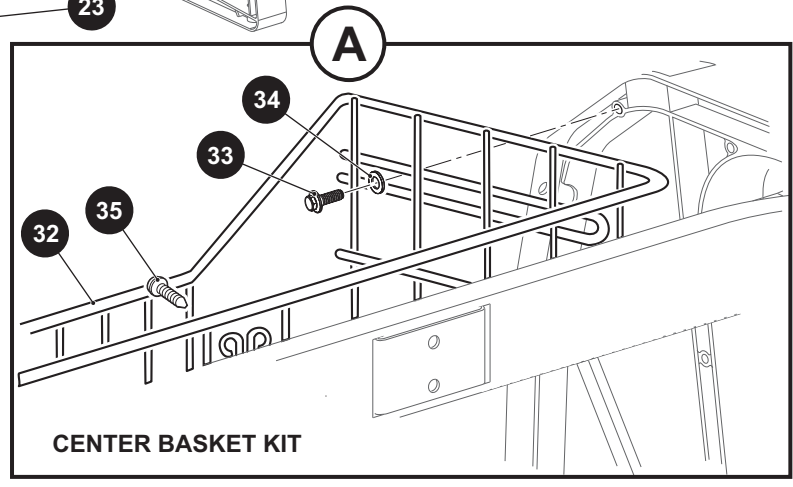
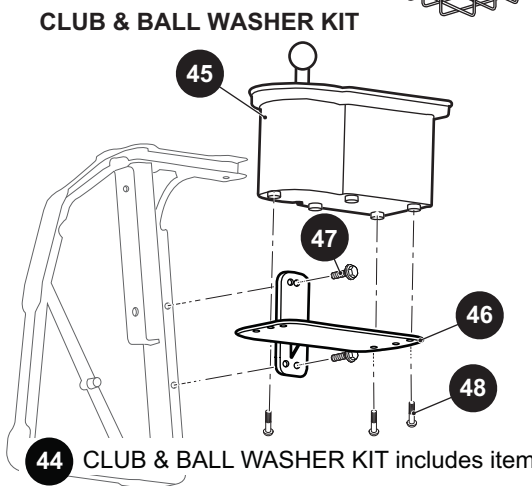
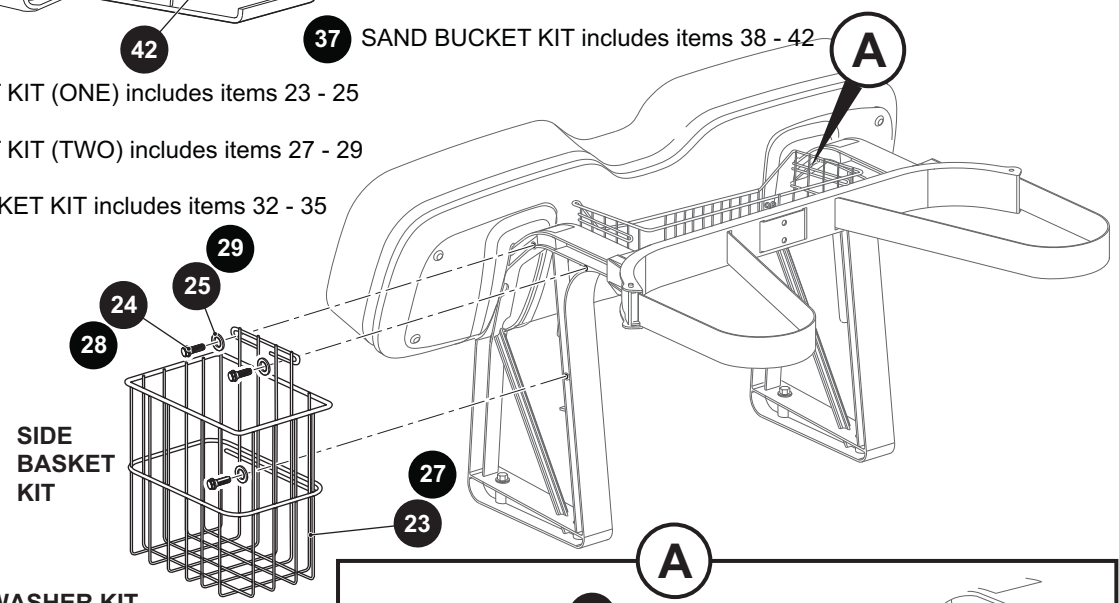
*** Indicates consult Customer Service Department for additional information.

ITEM	PART NO.	1 2 3 4 5	DESCRIPTION	QTY.
1	70361G01		FOOTREST ASSEMBLY (INCLUDES ITEMS 2 - 6).....	1
2	70633G01		FOOTREST	1
3	19859G1		END CAP, 3/4"	2
4	19853G1		END CAP, 1"	2
5	610630		WARNING LABEL	1
6	70362G01		RUBBER FLOOR MAT	1
7				
8	74126G01		VERTICAL FRAME SUPPORT (DRIVER SIDE)	1
9	74126G02		VERTICAL FRAME SUPPORT (PASSENGER SIDE).....	1
10	00427G6		BOLT, 3/8" - 16 X 1 1/2" LG	2
11	00560G1		FLAT WASHER, 3/8"	10
12	00769G2		CARRIAGE BOLT, 3/8" - 16 X 1 1/4" LG.....	2
13	11098G5		LOCK NUT, 3/8" - 16.....	6
14	00426G8		BOLT, 3/8" - 16 X 1" LG	2
15				
16				
17	75183G01		TWO BAG ATTACHMENT KIT (INCLUDES ITEMS 18 - 21).....	1
18	75188G01		TWO BAG ATTACHMENT.....	1
19	22238G2		KNOB, 3/8" - 16 X 1 1/2" LG	1
20	17255G1		TEFLON WASHER, 5/16"	1
21	75187G01		SUPPORT BRACKET	1

BODY - ACCESSORIES



- 22 SIDE BASKET KIT (ONE) includes items 23 - 25
- 26 SIDE BASKET KIT (TWO) includes items 27 - 29
- 31 CENTER BASKET KIT includes items 32 - 35



- 44 CLUB & BALL WASHER KIT includes items 45 - 48

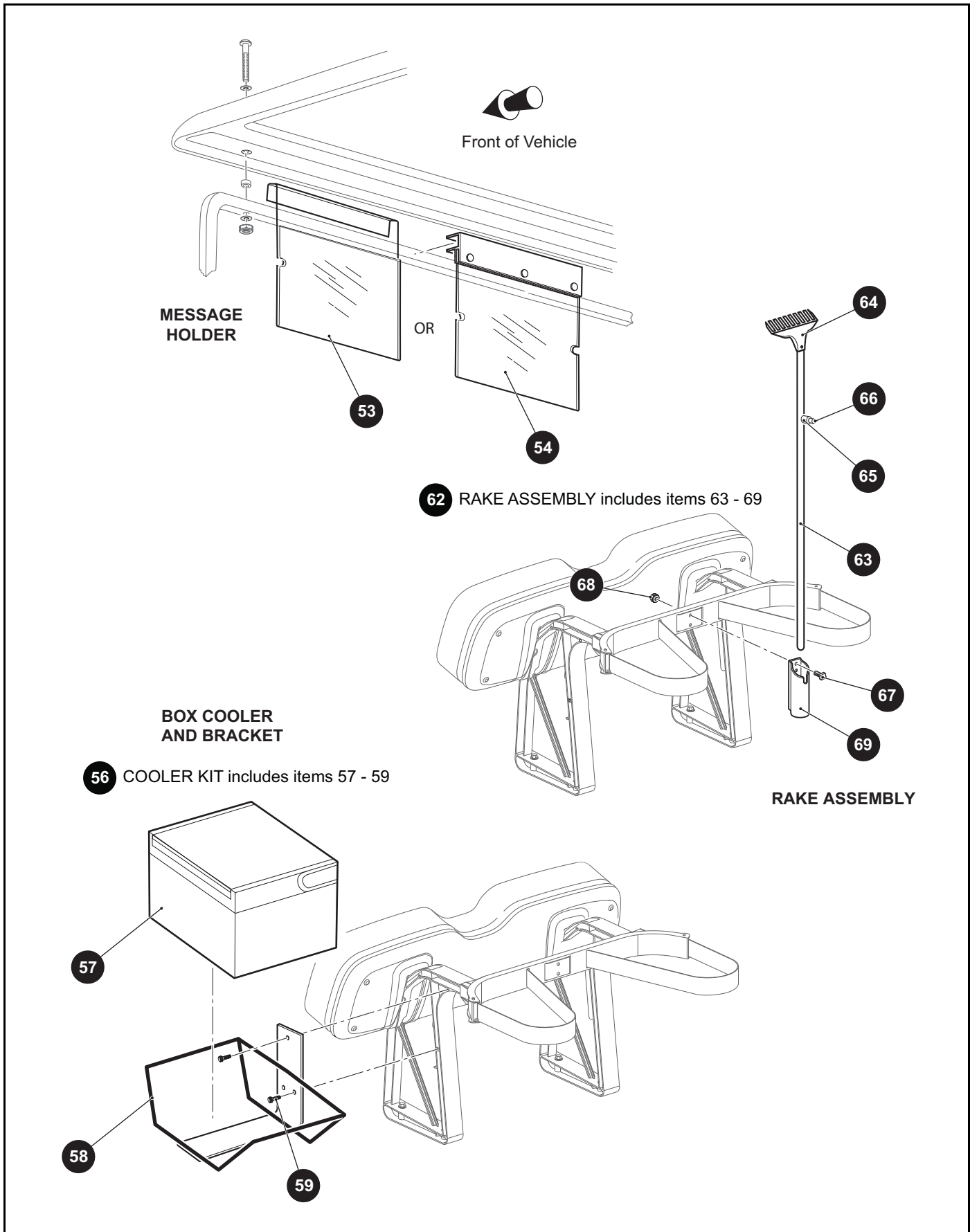
BODY - ACCESSORIES

When ordering parts, please specify the model and serial number of the product.

* Indicates a component that is not available as an individual part.

*** Indicates consult Customer Service Department for additional information.

ITEM	PART NO.	1 2 3 4 5	DESCRIPTION	QTY.
22	75007G01		SIDE BASKET KIT WITH ONE BASKET (INCLUDES ITEMS 23 - 25)	1
23	75460G01		SIDE BASKET	1
24	71102G01		HEX HEAD BOLT, 1/4" - 20 X 3/4" LG.....	3
25	00793G2		FLAT WASHER (SS), 1/4"	3
26	75007G03		SIDE BASKET KIT WITH TWO BASKET (INCLUDES ITEMS 27 - 29)	1
27	75460G01		SIDE BASKET	2
28	71102G01		HEX HEAD BOLT, 1/4" - 20 X 3/4" LG.....	6
29	00793G2		FLAT WASHER (SS), 1/4"	6
30				
31	75003G02		CENTER BASKET KIT (INCLUDES ITEMS 32 - 35).....	1
32	75461G01		CENTER BASKET.....	1
33	71102G01		HEX HEAD BOLT, 1/4" - 20 X 3/4" LG.....	2
34	00793G2		FLAT WASHER (SS), 1/4"	2
35	01105G01		TORX PLASTITE SCREW (SS), #10 - 14 X 5/8" LG	2
36				
37	634314		SAND BUCKET KIT (INCLUDES ITEMS 38 - 42)	1
38	74845G01		SAND BUCKET WITHOUT LID.....	1
39	74846G01		LID	1
40	634181		BRACKET.....	1
41	74848G01		SCOOP (NOT ILLUSTRATED).....	1
42	71102G01		TAPTITE BOLT, 1/4" - 20 X 3/4" LG	2
43				
44	627900		CLUB & BALL WASHER KIT (INCLUDES ITEMS 45 - 48)	1
45	*		CLUB & BALL WASHER	1
46	*		CLUB & BALL WASHER WELDMENT.....	1
47	*		HEX HEAD BOLT, 1/4" - 20 X 3/4" LG.....	2
48	*		PHILLIPS PAN HEAD SELF TAPPING SCREW, #8 - 18 X 1" LG	3
49				
50	28660G01		SAND BOTTLE HOLDER	1
51	633612		SAND BOTTLE	1
52	614191		SAND BOTTLE HARDWARE KIT (NOT ILLUSTRATED).....	1



BODY - ACCESSORIES

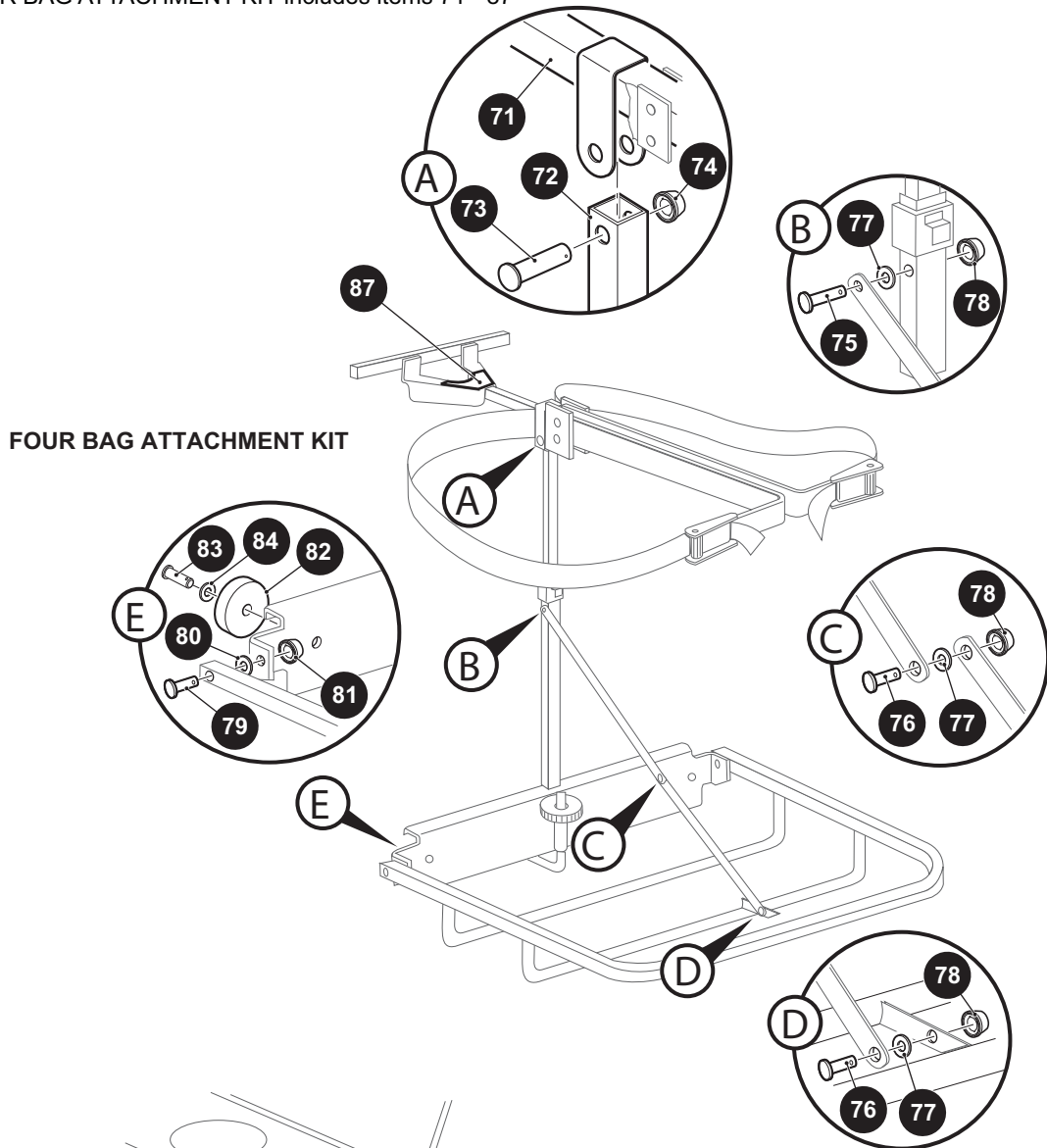
When ordering parts, please specify the model and serial number of the product.

* Indicates a component that is not available as an individual part.

*** Indicates consult Customer Service Department for additional information.

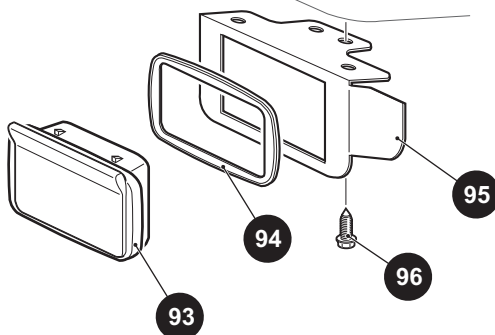
ITEM	PART NO.	1 2 3 4 5	DESCRIPTION	QTY.
53	634624		MESSAGE HOLDER (ONE PIECE)	1
54	634347		MESSAGE HOLDER	1
55				
56	634319		COOLER KIT (INCLUDES ITEMS 57 - 59).....	1
57	601366		BEVERAGE COOLER.....	1
58	634154		COOLER BRACKET	1
59	71102G01		HEX HEAD BOLT, 1/4" - 20 X 3/4" LG.....	3
60				
61				
62	14735G1		RAKE ASSEMBLY (INCLUDES ITEMS 63 - 69)	1
63	14736G2		RAKE HANDLE	1
64	14737G1		RAKE	1
65	14934G1		SPACER	1
66	00130G8		PHILLIPS HEAD WOOD SCREW, #10 - 13 X 1" LG	1
67	00989G06		SQUARE HEAD BOLT, 1/4" - 20 X 3/4" LG.....	2
68	11027G2		LOCK NUT, 1/4" - 20	2
69	25885G01		RAKE HOLDER.....	1

70 FOUR BAG ATTACHMENT KIT includes items 71 - 87



FOUR BAG ATTACHMENT KIT

ASH TRAY



92 ASH TRAY KIT includes items 93 - 96

BODY - ACCESSORIES

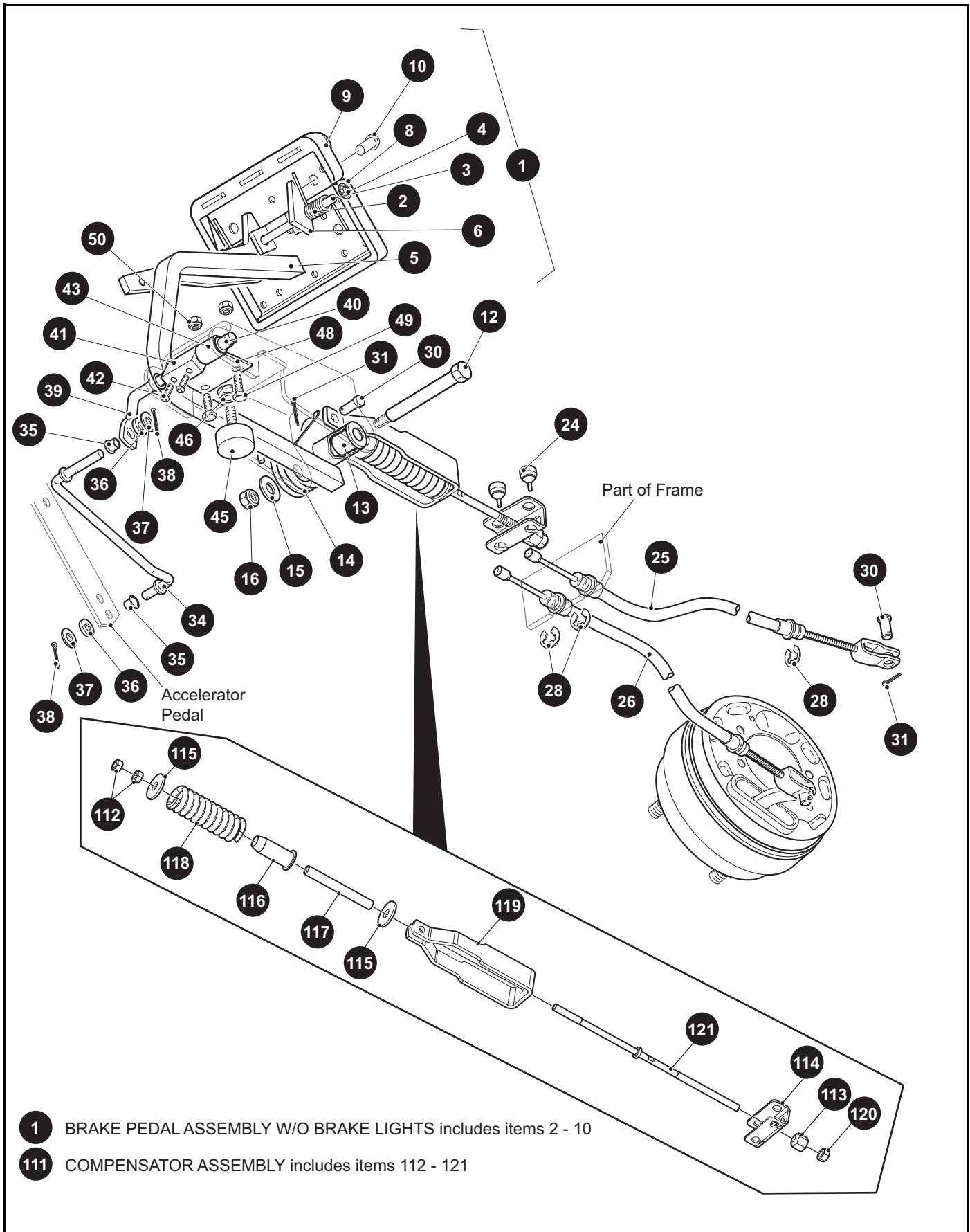
When ordering parts, please specify the model and serial number of the product.

* Indicates a component that is not available as an individual part.

*** Indicates consult Customer Service Department for additional information.

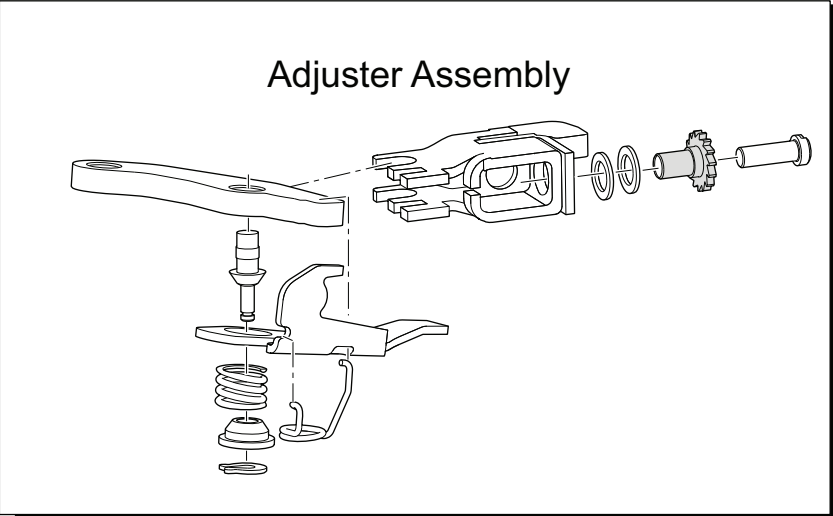
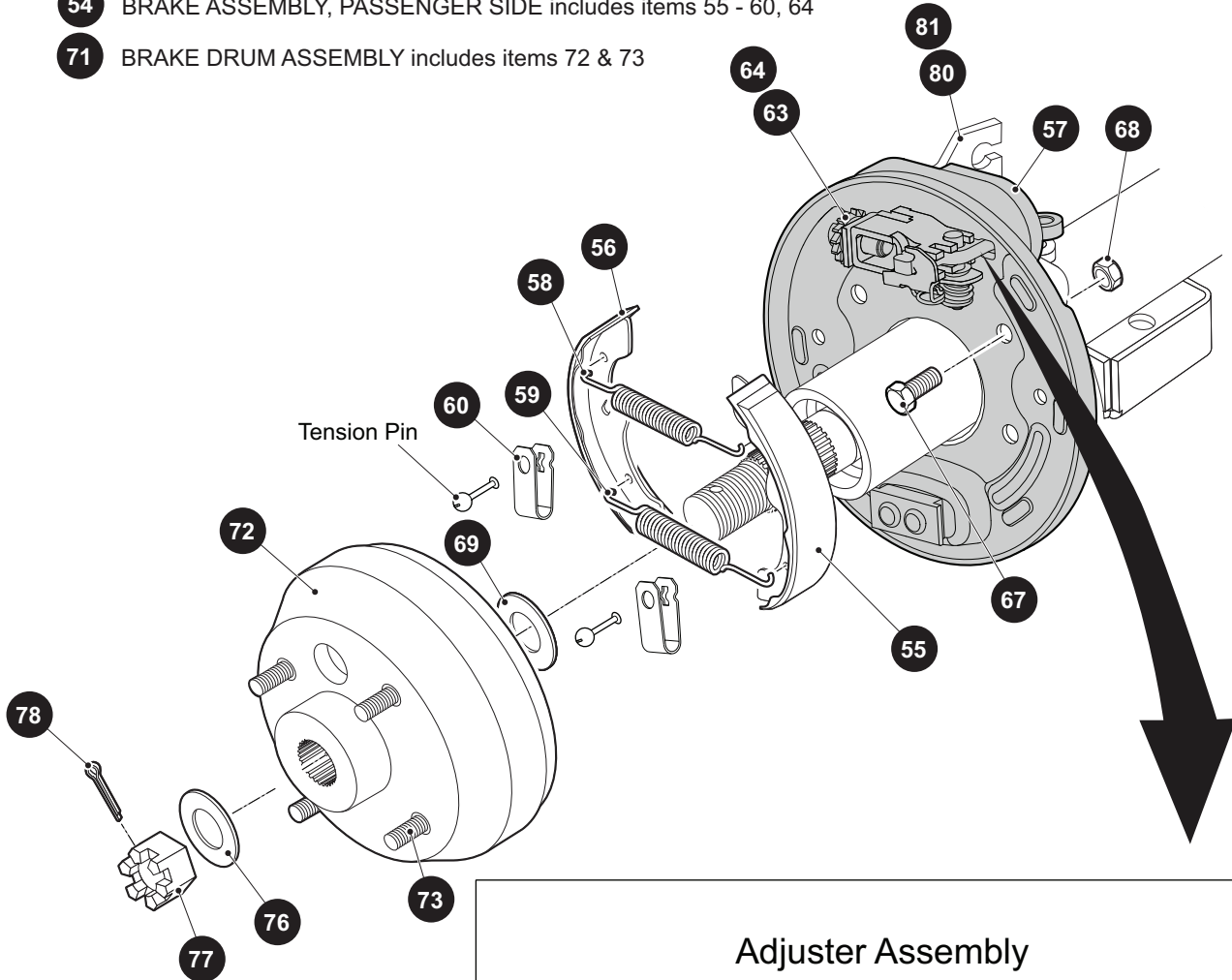
ITEM	PART NO.	1 2 3 4 5	DESCRIPTION	QTY.
70	75335G01		FOUR BAG ATTACHMENT KIT (INCLUDES ITEMS 71 - 87)	1
71	*		TOP ASSEMBLY	1
72	*		BOTTOM ASSEMBLY	1
73	17651G2		CLEVIS PIN, 5/16" X 1 1/8" LG	1
74	28129G01		PUSH NUT, 5/16"	1
75	17651G2		CLEVIS PIN, 5/16" X 1 1/8" LG	1
76	17651G3		CLEVIS PIN, 5/16" X 1/2" LG	2
77	00559G8		FLAT WASHER, 5/16"	3
78	28129G01		PUSH NUT, 5/16"	3
79	17651G1		CLEVIS PIN 3/8" X 1 1/4" LG	2
80	00560G1		FLAT WASHER, 3/8"	2
81	28129G02		PUSH NUT, 3/8"	2
82	13728G1		RUBBER BUMPER	2
83	14601G1		RIVET, 3/16"	2
84	00559G5		FLAT WASHER, #10	2
85				
86				
87	75130G01		WARNING LABEL	1
88				
89				
90				
91				
92	75109G02		ASH TRAY KIT (INCLUDES ITEMS 93 - 96)	1
93	27731G01		ASH TRAY	1
94	27736G01		GASKET	1
95	75108G02		BRACKET	1
96	00100G4		HEX HEAD BOLT, #10 - 16 X 1/2" LG	4

BRAKES



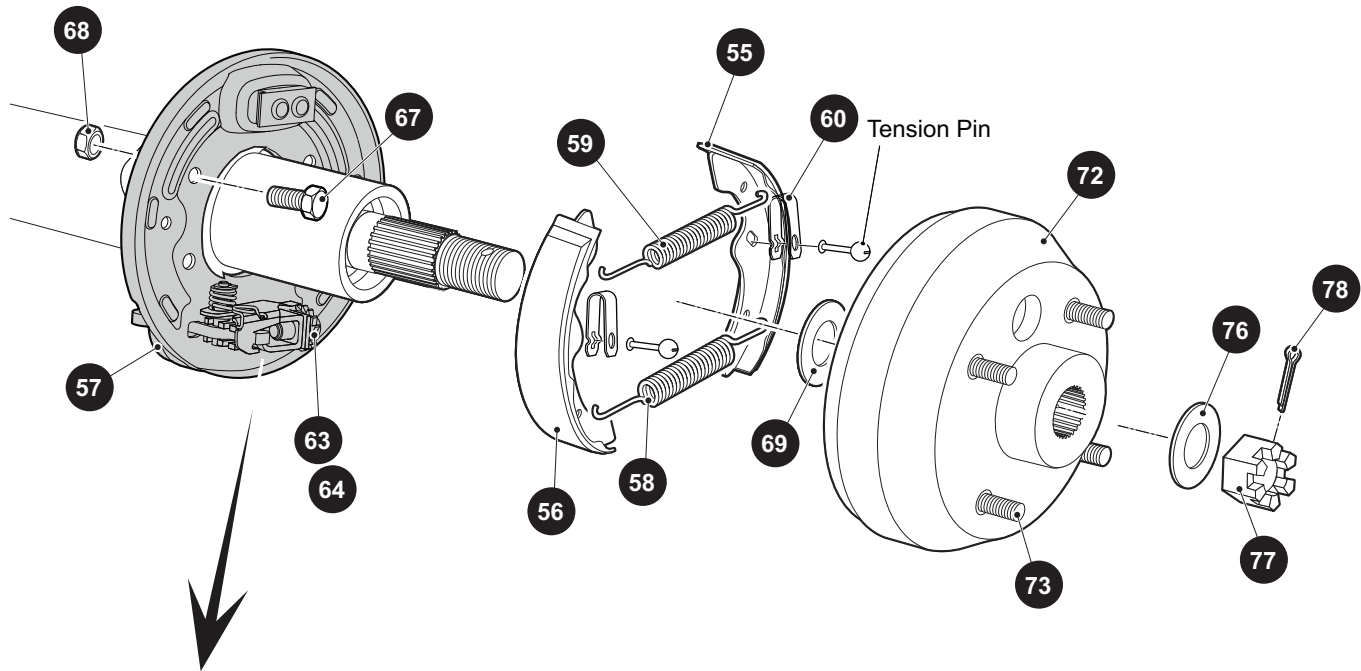
TOP PULL

- 53** BRAKE ASSEMBLY, DRIVER SIDE includes items 55 - 60, 63
- 54** BRAKE ASSEMBLY, PASSENGER SIDE includes items 55 - 60, 64
- 71** BRAKE DRUM ASSEMBLY includes items 72 & 73

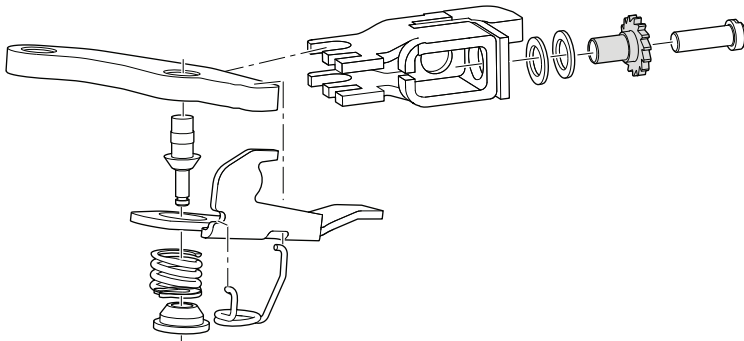


BOTTOM PULL

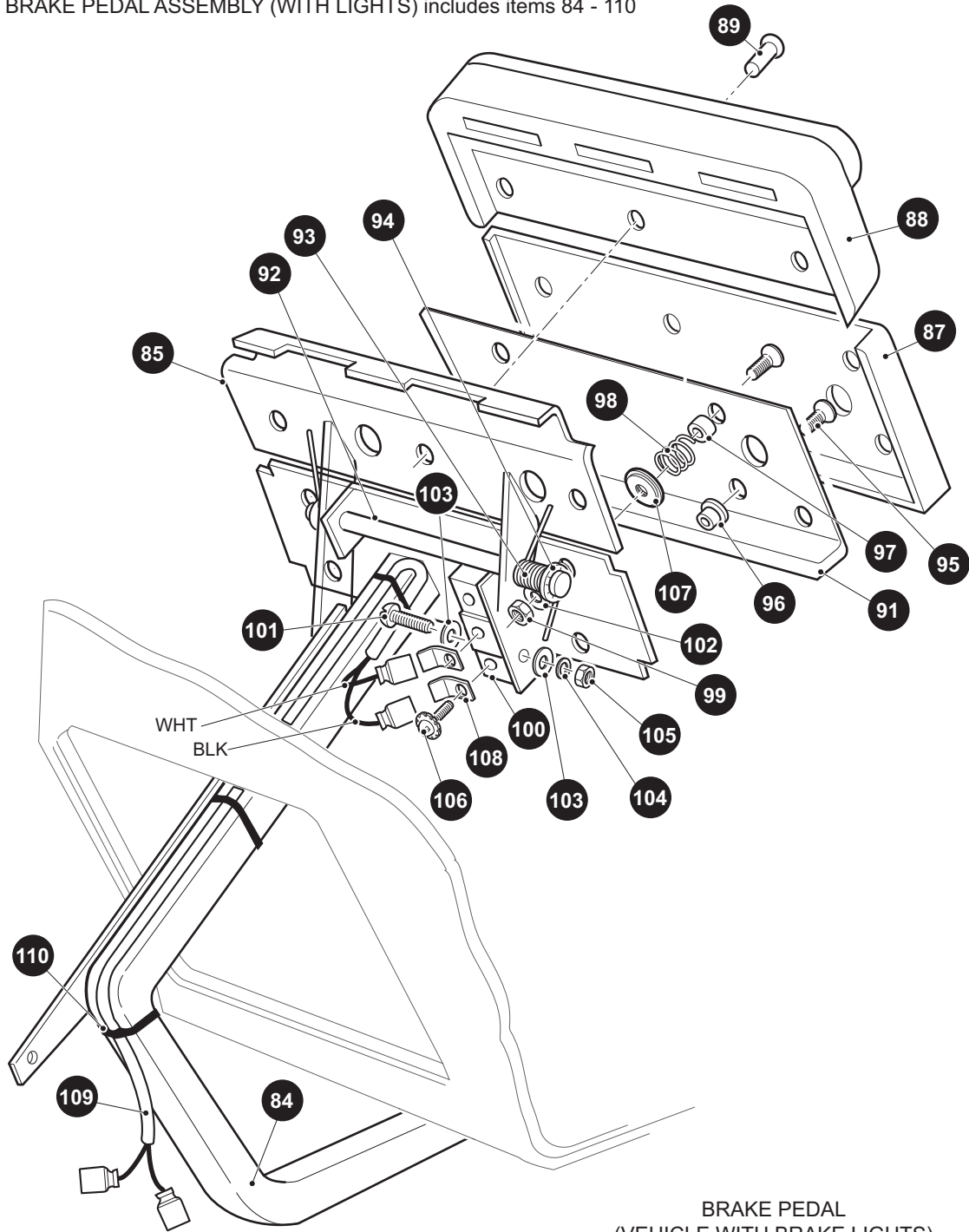
- 53 BRAKE ASSEMBLY, DRIVER SIDE includes items 55 - 60, 63
- 54 BRAKE ASSEMBLY, PASSENGER SIDE includes items 55 - 60, 64
- 71 BRAKE DRUM ASSEMBLY includes items 72 & 73



Adjuster Assembly



83 BRAKE PEDAL ASSEMBLY (WITH LIGHTS) includes items 84 - 110



BRAKE PEDAL
(VEHICLE WITH BRAKE LIGHTS)

BRAKES

When ordering parts, please specify the model and serial number of the product.

* Indicates a component that is not available as an individual part.

*** Indicates consult Customer Service Department for additional information.

ITEM	PART NO.	1 2 3 4 5	DESCRIPTION	QTY.
1	70612G02		BRAKE PEDAL ASSEMBLY (WITHOUT BRAKE LIGHTS) (INCLUDES ITEMS 2 - 10).....	1
2	70681G01		TORSION SPRING	2
3	70682G01		PIVOT PIN	1
4	01071G01		PUSHNUT, 5/16"	2
5	70259G02		BRAKE PEDAL	1
6	70611G02		PARK BRAKE PEDAL.....	1
7				
8	70257G01		SERVICE BRAKE PAD	1
9	70256G01		PARK BRAKE PEDAL PAD	1
10	16409G1		OVAL RIVET, 3/16" X 7/16" LG	9
11				
12	70582G01		SHOULDER BOLT (SS), 3/8" - 16 X 4" LG	1
13	70581G01		ACETAL FLANGED BUSHING	2
14	70676G01		TORSION SPRING	1
15	00643G1		FLAT WASHER, 3/8"	1
16	11098G5		LOCK NUT, 3/8" - 16	1
17				
18				
19				
20	12416G2		NYLON WEDGE LOCK CLAMP, 10" (NOT ILLUSTRATED)	AR
21				
22				
23				
24	28083G01		BRAKE COMPENSATOR BUMPER	2
25	624690		BRAKE CABLE, 37.06" (DRIVER SIDE)	1
26	624703		BRAKE CABLE, 52.81" (PASSENGER SIDE)	1
27				
28	01111G01		RETAINING RING (SS), 13/32",	4
29				
30	10386G3		CLEVIS PIN, 5/16" X 13/16" LG	3
31	10387G3		COTTER PIN, 3/32" X 3/4" LG	3

When ordering parts, please specify the model and serial number of the product.

* Indicates a component that is not available as an individual part.

*** Indicates consult Customer Service Department for additional information.

ITEM	PART NO.	1 2 3 4 5	DESCRIPTION	QTY.
32				
33				
34	70601G01		KICK-OFF LINK	1
35	17838G1		NYLON BUSHING	2
36	20835G1		TEFLON WASHER, 3/8"	2
37	00559G8		FLAT WASHER, 5/16"	2
38	10387G3		COTTER PIN, 3/32" X 3/4" LG.....	2
39	70098G01		KICK-OFF CAM PIVOT.....	1
40	10097G6		FLANGED BEARING	2
41	70587G01		KICK-OFF CAM, PARK BRAKE.....	1
42	71215G01		SETSCREW, 1/4" - 20 X 1/2" LG	2
43	14134G4		SPACER, 1.25" LG	1
44				
45	70113G01		ADJUSTABLE BUMPER.....	1
46	11027G1		LOCK NUT, 5/16" - 18.....	1
47				
48	70080G02		CATCH BRACKET	1
49	00414G6		HEX HEAD BOLT, 1/4" - 20 X 3/4" LG	2
50	14390G4		LOCK NUT (SS), 1/4" - 20	2
51				
52				
53	612211		BRAKE ASSEMBLY (DRIVER SIDE) (INCLUDES ITEMS 55 - 60, 63).....	1
54	612189		BRAKE ASSEMBLY (PASSENGER SIDE) (INCLUDES ITEMS 55 - 60, 64) .	1
55	612411		BRAKE SHOE, LEADING	2
56	612412		BRAKE SHOE, TRAILING.....	2
57	612413		DUST COVER	1
58	612415		BRAKE SPRING, BOTTOM.....	1
59	612414		BRAKE SPRING, TOP.....	1
60	612416		SHOE CLAMP	2
61				
62				

BRAKES

When ordering parts, please specify the model and serial number of the product.

* Indicates a component that is not available as an individual part.

*** Indicates consult Customer Service Department for additional information.

ITEM	PART NO.	1	2	3	4	5	DESCRIPTION	QTY.
63	612418						GEAR ADJUSTER (DRIVER SIDE).....	1
64	612417						GEAR ADJUSTER (PASSENGER SIDE).....	1
65								
66								
67	17083G2						HEX HEAD BOLT, 5/16" - 24 X 1" LG.....	8
68	15126G1						LOCK NUT, 5/16" - 24	8
69	21809G1						FLAT WASHER, 1.312" O.D X 0.979" I.D	2
70								
71	21807G2						BRAKE DRUM ASSEMBLY (INCLUDES ITEMS 72 & 73)	2
72	20947G1						BRAKE DRUM	1
73	19862G2						LUG BOLT, 1/2" - 20 X 1 3/16" LG	4
74								
75								
76	606945						FLAT WASHER, BRAKE DRUM	2
77	606403						CASTELLATED NUT, M22 X 1.5.....	2
78	10387G1						COTTER PIN, 1/8" X 1 1/2" LG	2
79								
80	608200						BRAKE CABLE BRACKET (PASSENGER SIDE).....	1
81	608201						BRAKE CABLE BRACKET (DRIVER SIDE)	1
82								
83	70690G02						BRAKE PEDAL ASSEMBLY (WITH BRAKE LIGHTS) (INCLUDES ITEMS 84 - 110)	1
84	70686G02						BRAKE PEDAL	1
85	70611G02						PARK BRAKE PEDAL.....	1
86								
87	70257G01						SERVICE BRAKE PAD	1
88	70256G01						PARK BRAKE PAD	1
89	16409G1						OVAL RIVET, 3/16" X 7/16" LG.....	9
90								
91	70258G03						SERVICE BRAKE PEDAL PLATE	1
92	70682G01						PIVOT PIN	1
93	70681G01						TORSION SPRING	2

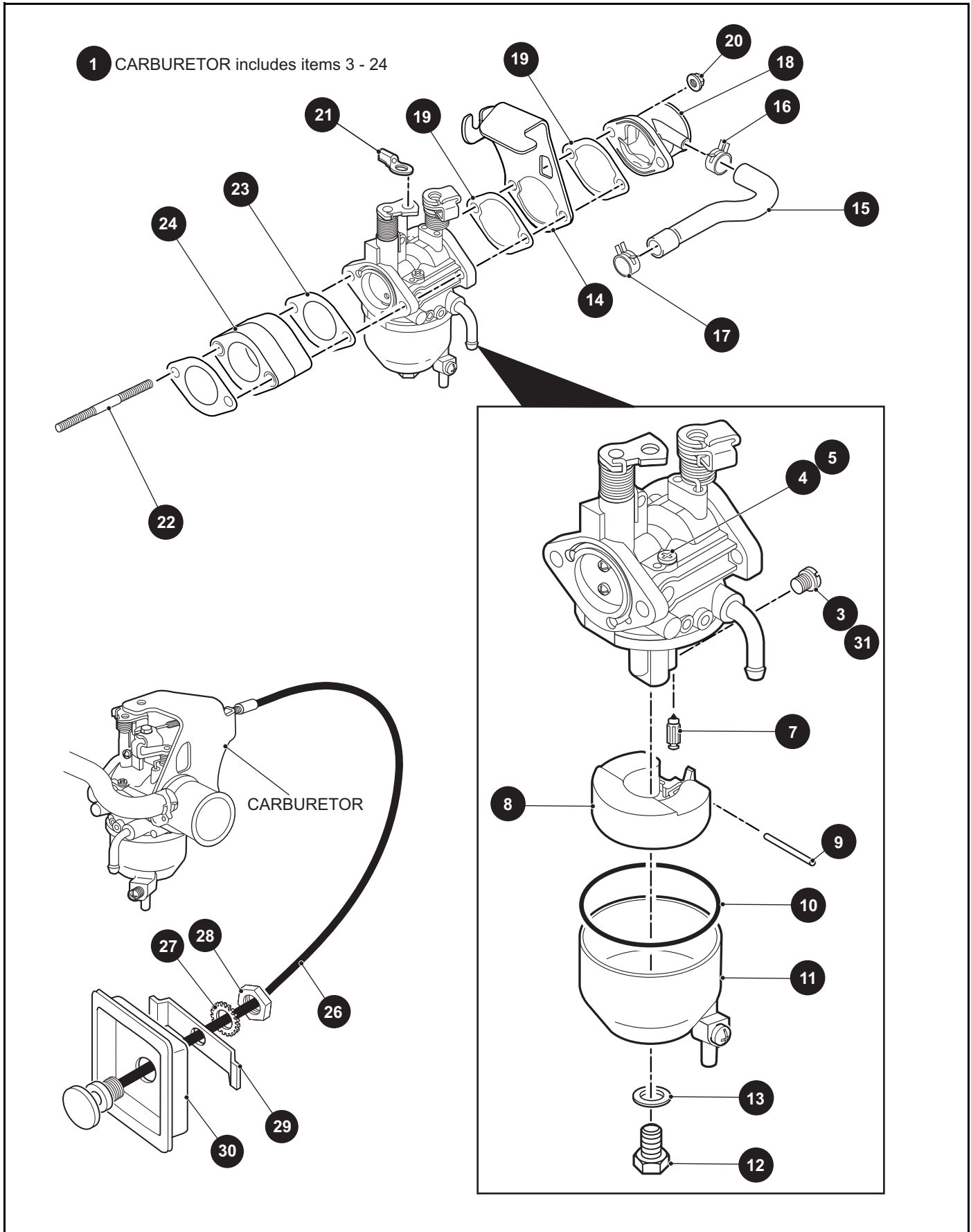
When ordering parts, please specify the model and serial number of the product.

* Indicates a component that is not available as an individual part.

*** Indicates consult Customer Service Department for additional information.

ITEM	PART NO.	1 2 3 4 5	DESCRIPTION	QTY.
94	01071G01		PUSHNUT, 5/16"	2
95	00737G8		PHILLIPS FLAT HEAD SCREW, #10 - 24 X 1" LG	4
96	00739G1		RUBBER NUT, #10 - 24	2
97	74535G01		BRAKE PEDAL STANDOFF.....	2
98	27137G01		CONICAL SPRING	2
99	14390G01		LOCK NUT, #10 - 24.....	2
100	10606G8		MICRO SWITCH	1
101	00645G2		PHILLIPS PAN HEAD SCREW, #6 - 32 X 1 1/4" LG	2
102	00559G5		FLAT WASHER, #10	2
103	00559G3		FLAT WASHER, #6	4
104	00565G3		LOCK WASHER, #6	2
105	00525G5		HEX NUT, #6 - 32	2
106	13514G1		PHILLIPS PAN HEAD SCREW WITH LOCK WASHER, #6.....	2
107	00642G8		FLAT WASHER, 5/16"	2
108	14628G1		FASTON TAB.....	2
109	24605G1		WIRE HARNESS, BRAKE LIGHT	1
110	17618G1		NYLON CLAMP.....	2
111	612558		COMPENSATOR ASSEMBLY (INCLUDES ITEMS 112 - 121).....	1
112	00532G4		HEX NUT, 1/4" - 20.....	2
113	629486		HEX NUT, 5/16" - 24.....	1
114	28082G01		EQUALIZER BRACKET	1
115	15121G1		FLAT WASHER, 5/16"	2
116	17979G1		ACCELERATOR ROD BUSHING.....	1
117	23061G2		TUBE	1
118	23463G1		COMPRESSION SPRING	1
119	27330G01		BRAKE YOKE	1
120	11098G9		HEX LOCK NUT, 5/16" - 24.....	1
121	612557		COMPENSATOR ROD LINK.....	1

CARBURETOR AND CHOKE



CARBURETOR AND CHOKE

When ordering parts, please specify the model and serial number of the product.

* Indicates a component that is not available as an individual part.

*** Indicates consult Customer Service Department for additional information.

ITEM	PART NO.	1 2 3 4 5	DESCRIPTION	QTY.
1	607955		CARBURETOR (INCLUDES ITEMS 3 - 24)	1
2				
3	607956		MAIN JET (#106).....	1
4	607957		PILOT JET (#52)	1
5	603585		PLUG	1
6				
7	603586		NEEDLE VALVE	1
8	603587		FLOAT	1
9	603588		FLOAT PIN	1
10	603589		FLOAT BOWL GASKET	1
11	603590		FLOAT CHAMBER	1
12	603592		CHAMBER PLUG	1
13	603591		BOWL GASKET	1
14	603583		CHOKE BRACKET	1
15	603598		BREATHER TUBE	1
16	603596		INTAKE TUBE CLAMP	1
17	603597		CYLINDER HEAD TUBE CLAMP	1
18	603594		INTAKE TUBE	1
19	603593		CHOKE GASKET	2
20	603595		HEX NUT, M6 X 1.0.....	2
21	608023		THROTTLE ROD ATTACHMENT BUSHING	1
22	603584		STUD BOLT.....	2
23	603580		CARBURETOR MOUNT GASKET	3
24	603581		CARBURETOR INSULATOR	1
25				
26	605868		CHOKE CABLE (SWB).....	1
27	00568G4		LOCK WASHER, 9/16"	1
28	00545G4		JAM NUT, 9/16 " - 18	1
29	72155G01		RETAINER	1
30	72154G01		CHOKE CABLE ADAPTER.....	1
31	607684		MAIN JET (#102) (FOR ELEVATIONS OF 3000 FT - 6000 FT)	1

CARBURETOR AND CHOKE

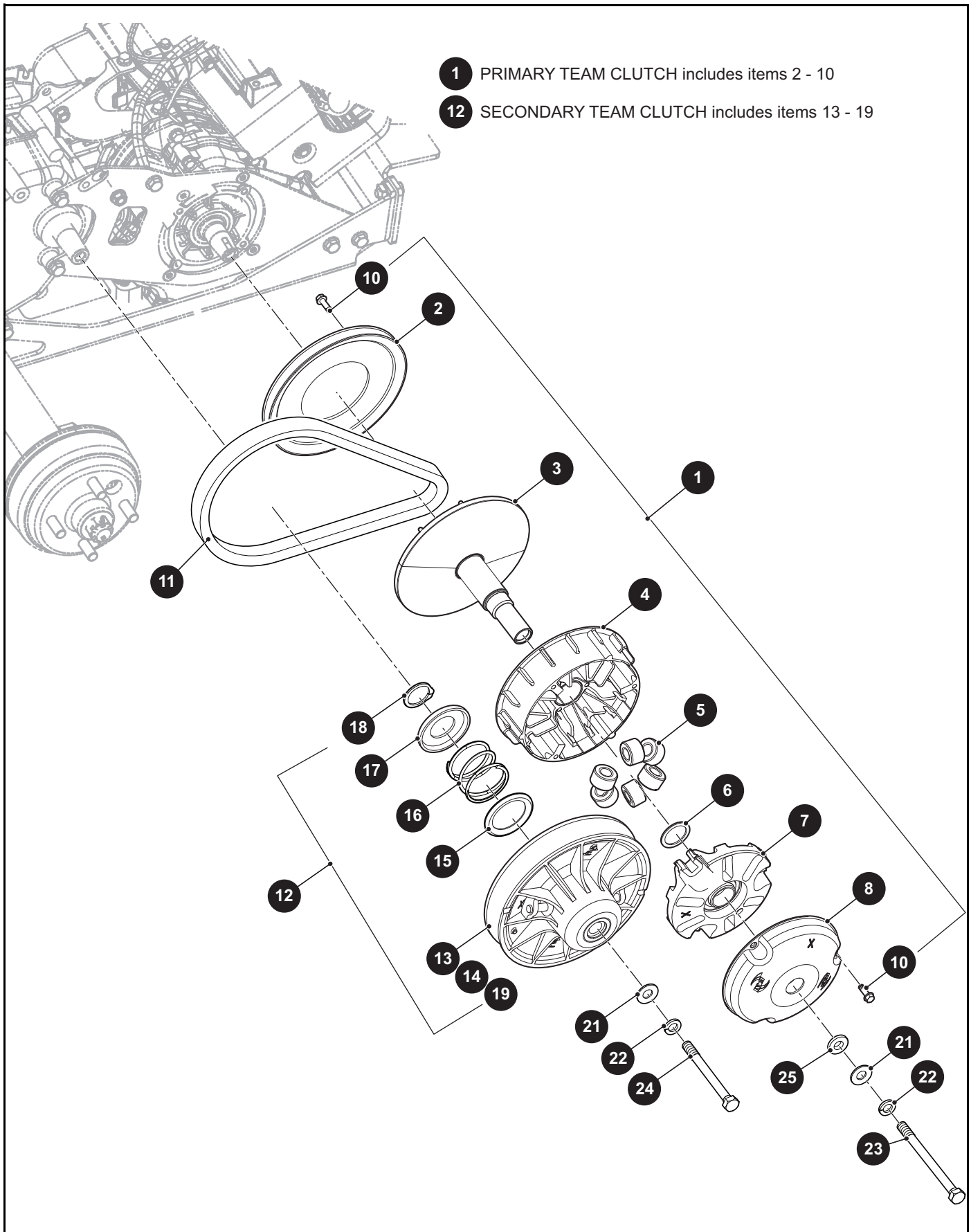
When ordering parts, please specify the model and serial number of the product.

* Indicates a component that is not available as an individual part.

*** Indicates consult Customer Service Department for additional information.

ITEM	PART NO.	1	2	3	4	5	DESCRIPTION	QTY.
32								
33	607681						LABEL, HIGH ALTITUDE JET, 3000 FT - 6000 FT (NOT ILLUSTRATED)	1
34	607682						LABEL, HIGH ALTITUDE JET, 6000 FT (NOT ILLUSTRATED).....	1

CLUTCH



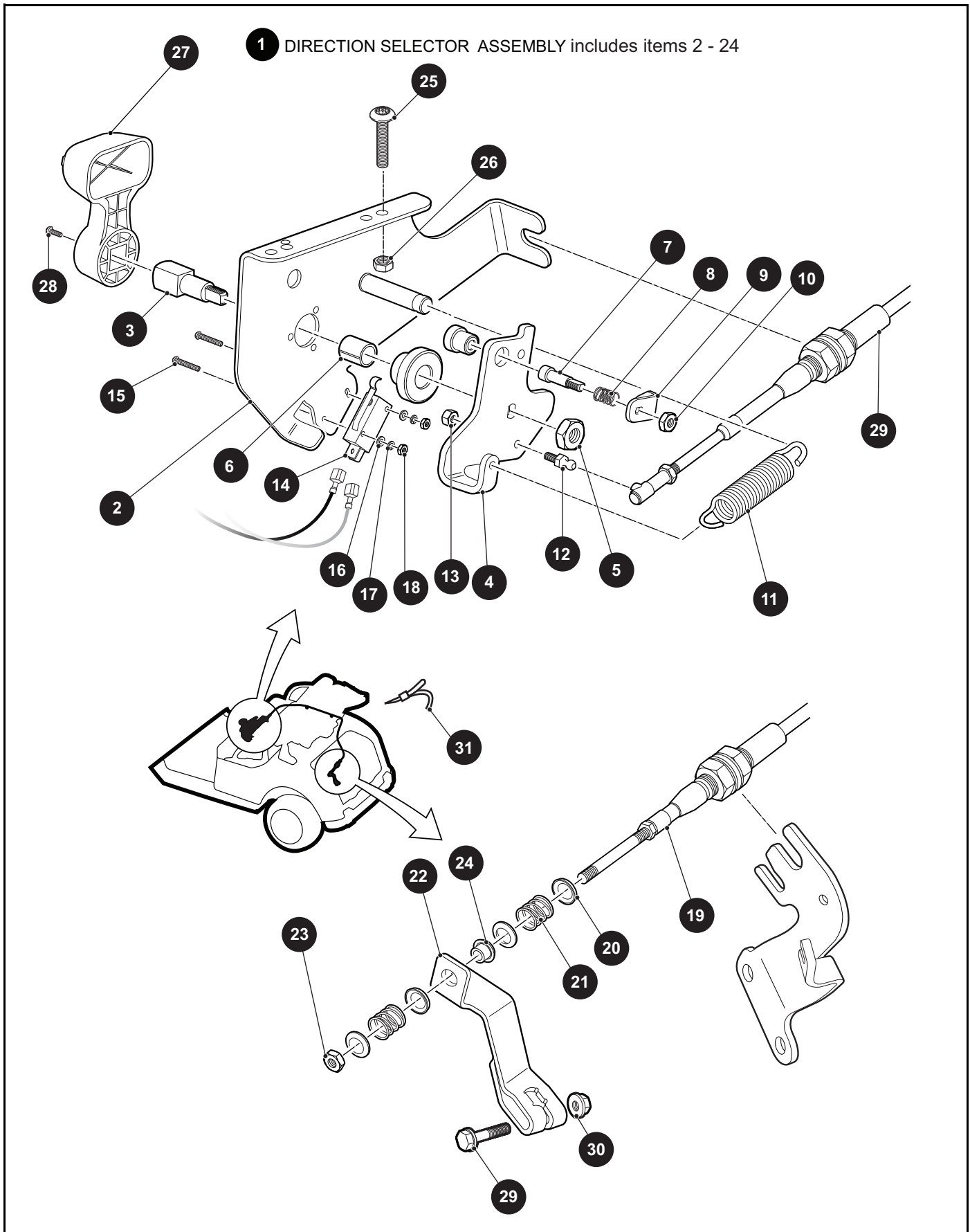
When ordering parts, please specify the model and serial number of the product.

* Indicates a component that is not available as an individual part.

*** Indicates consult Customer Service Department for additional information.

ITEM	PART NO.	1 2 3 4 5	DESCRIPTION	QTY.
1	618684		PRIMARY TEAM CLUTCH (INCLUDES ITEMS 2 - 10)	1
2	619333		PRIMARY STARTER PULLEY, 195.....	1
3	619334		STATIONARY ASSEMBLY	1
4	619335		MOVEABLE PRIMARY ASSEMBLY	1
5	619336		SHIFT ROLLER ASSEMBLY.....	6
6	619337		SHIM, 39.5 MM X 31.75MM	1
7	619338		PRIMARY SPIDER ASSEMBLY	1
8	619339		PRIMARY DUST COVER ASSEMBLY.....	1
9				
10	619332		HEX TAP BOLT, 1/4" - 20 X 0.75" LG	7
11	618630		BELT DRIVE	1
12	618685		SECONDARY TEAM CLUTCH (INCLUDES ITEMS 13 - 19).....	1
13	*		SECONDARY STATIONARY, 9.5	1
14	*		MOVEABLE SECONDARY, 9.5.....	1
15	619327		INNER RETAINER SPRING.....	1
16	619328		COMPRESSION SPRING, 2.70MM O.D	1
17	619329		OUTER SPRING RETAINER	1
18	619330		RETAINER RING.....	1
19	619331		THRUST WASHER, 1.530 X 1.830 X 1.....	1
20				
21	606239		CONICAL WASHER, M12	2
22	00566G3		SPRING TYPE LOCK WASHER	2
23	606245		HEX BOLT, M12 - 1.25 X 160MM LG.....	1
24	606243		HEX BOLT, M12 - 1.25 X 120MM LG	1
25	606230		CLUTCH WASHER, 13.06MM DIA.....	1

DIRECTION SELECTOR



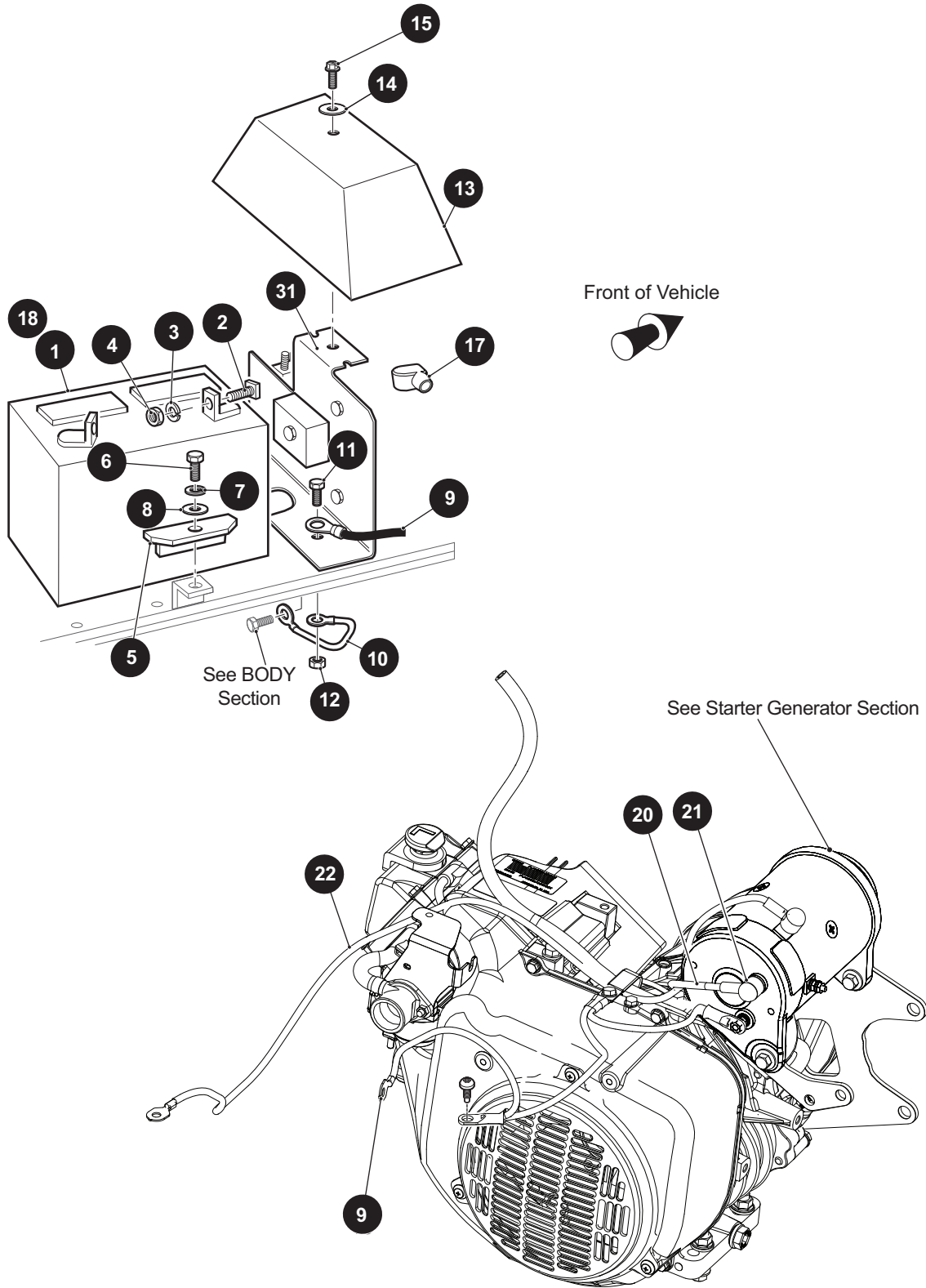
DIRECTION SELECTOR

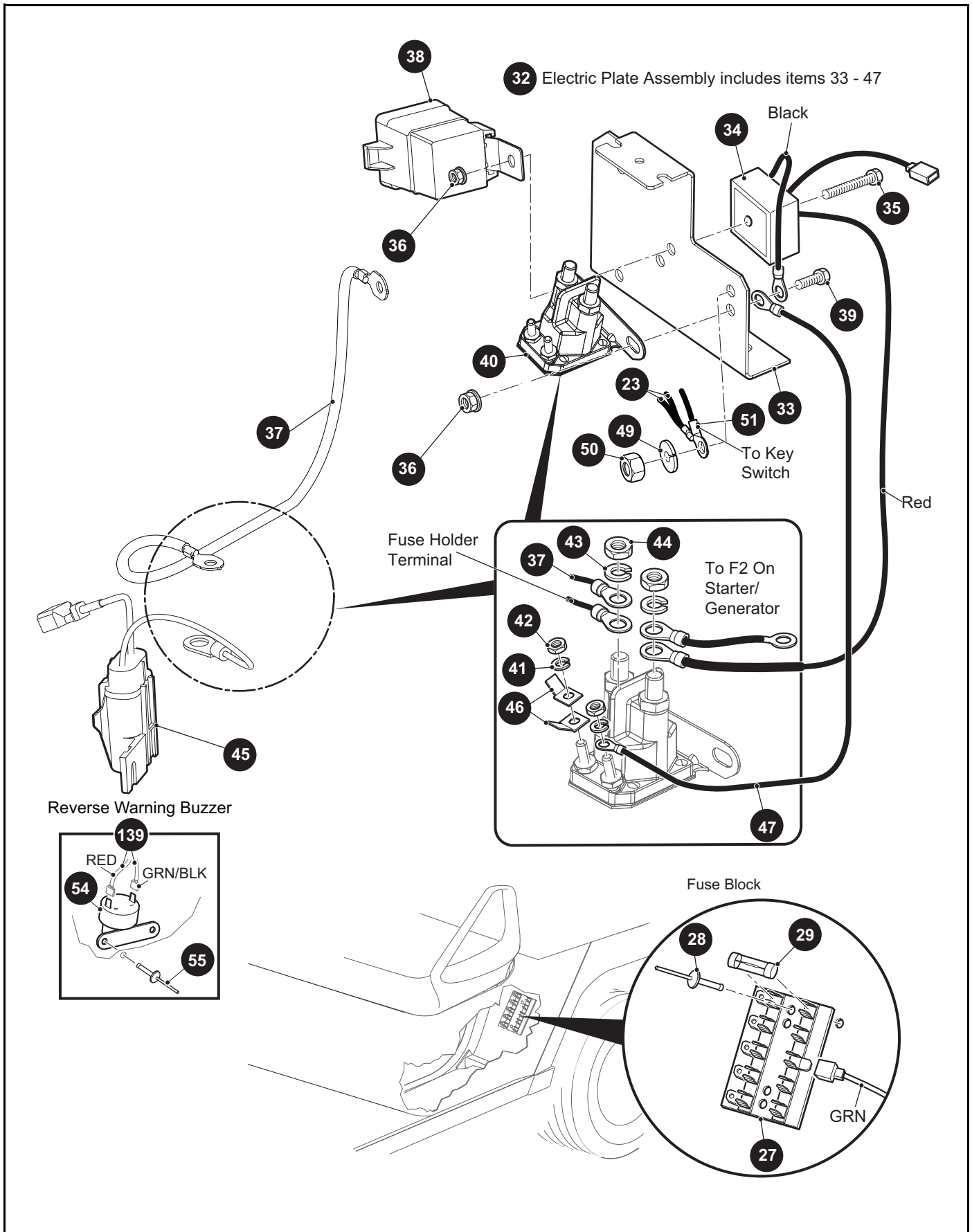
When ordering parts, please specify the model and serial number of the product.

* Indicates a component that is not available as an individual part.

*** Indicates consult Customer Service Department for additional information.

ITEM	PART NO.	1 2 3 4 5	DESCRIPTION	QTY.
1	603416		DIRECTION SELECTOR ASSEMBLY (INCLUDES ITEMS 2 - 24)	1
2	606077		DIRECTION SELECTOR BRACKET.....	1
3	70233G01		DIRECTION SELECTOR SHAFT.....	1
4	603700		DIRECTION SELECTOR CAM.....	1
5	14390G01		LOCK NUT, 3/8" - 24	1
6	25664G2		BUSHING, 1/2" X 3/4" LG.....	1
7	72724G01		NEUTRAL LOCK PIN	1
8	72733G01		COMPRESSION SPRING, 3/8" X 5/8" LG	1
9	72729G01		NEUTRAL LOCK LATCH.....	1
10	00734G2		LOCK NUT, 1/4" - 28	1
11	28574G01		EXTENSION SPRING	1
12	72732G01		BALL STUD, 1/4".....	1
13	00734G5		LOCK NUT, #10 - 32.....	1
14	72736G01		MICRO SWITCH	1
15	01062G01		ROUND HEAD SLOTTED SCREW, #4 - 40 X 1" LG	2
16	00559G1		FLAT WASHER, #4	2
17	00565G1		LOCK WASHER, #4 - 5/16".....	2
18	00526G2		HEX NUT, #4 - 40	2
19	603615		PUSH/PULL CABLE	1
20	25727G01		CUP WASHER, 1/4"	4
21	72735G01		COMPRESSION SPRING, 19/32" X 1" LG	2
22	606014		PIVOT BRACKET WITH BUSHING	1
23	00734G5		LOCK NUT, #10 - 32.....	1
24	22754G4		BUSHING, FLIP LOK, 0.250.....	1
25	70227G01		SOCKET HEAD CAP SCREW, 1/4" - 20 X 7/8" LG.....	2
26	11027G2		LOCK NUT, 1/4" - 20.....	1
27	71205G01		DIRECTION SELECTOR HANDLE	1
28	00740G4		PHILLIPS TRUSS HEAD SCREW (SS), #10 - 32 X 1/2" LG.....	1
29	606421		HEX HEAD BOLT, M6 - 1 X 30	1
30	450452		HEX NUT, M6 -1.00 HSF	1
31	31539G1		WIRE TIE	1





ELECTRICAL

When ordering parts, please specify the model and serial number of the product.

* Indicates a component that is not available as an individual part.

*** Indicates consult Customer Service Department for additional information.

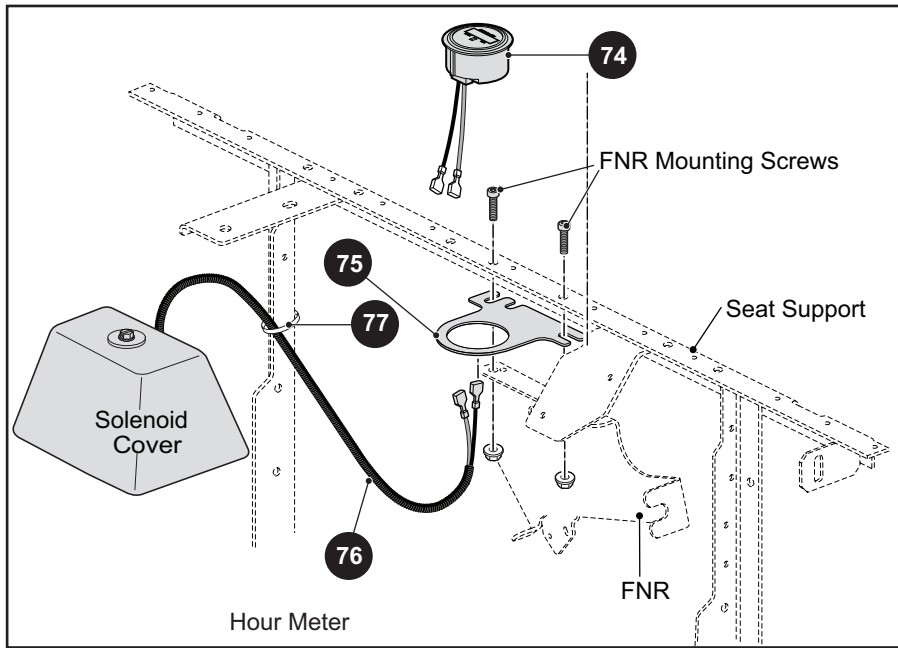
ITEM	PART NO.	1 2 3 4 5	DESCRIPTION	QTY.
1	600497		HEAVY DUTY BATTERY, 12V.....	1
2	*		BOLT, 5/16" - 18 X 1 1/4" LG	2
3	*		LOCK WASHER, 5/16" (SILICON BRONZE).....	2
4	*		HEX NUT, 5/16" - 18 (SILICON BRONZE)	2
5	72101G02		BATTERY HOLD DOWN	1
6	00438G6		HEX HEAD BOLT, 5/16" - 18 X 3/4" LG.....	1
7	00565G8		LOCK WASHER, 5/16"	1
8	00571G2		FLAT WASHER, 5/16"	1
9	27044G03		GROUND CABLE	1
10	25976G19		14 GA WIRE (BLACK 6").....	1
11	00438G6		HEX HEAD BOLT, 5/16" - 18 X 3/4" LG.....	2
12	11027G1		LOCK NUT, 5/16" - 18	2
13	73049G01		COVER.....	1
14	16469G1		FENDER WASHER, 1/4"	1
15	00114G6		HEX WASHER HEAD SLOTTED TAPPING SCREW, 1/4" - 14 X 3/4" LG	1
16	610428		BATTERY BOLT EXTENDER (NOT ILLUSTRATED)	2
17	606042		BATTERY TERMINAL COVER	1
18	24775G1		STANDARD BATTERY, 12V	1
19				
20	607053		6 GA WIRE (BLACK 6", F1 - A2).....	1
21	25682G01		TERMINAL COVER.....	3
22	607103		6 GA WIRE (42" LONG)	1
23	605560		CONTROL WIRE HARNESS	1
24	17618G1		WIRE TIE (NOT ILLUSTRATED)	AR
25				
26				
27	22674G1		FUSE BLOCK.....	1
28	01041G01		RIVET, 1/8" X 13/16" LG.....	2
29	18392G1		15 AMP FUSE	3
30				
31				

When ordering parts, please specify the model and serial number of the product.

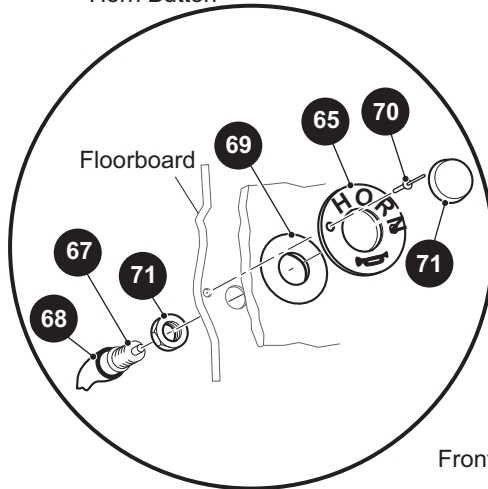
* Indicates a component that is not available as an individual part.

*** Indicates consult Customer Service Department for additional information.

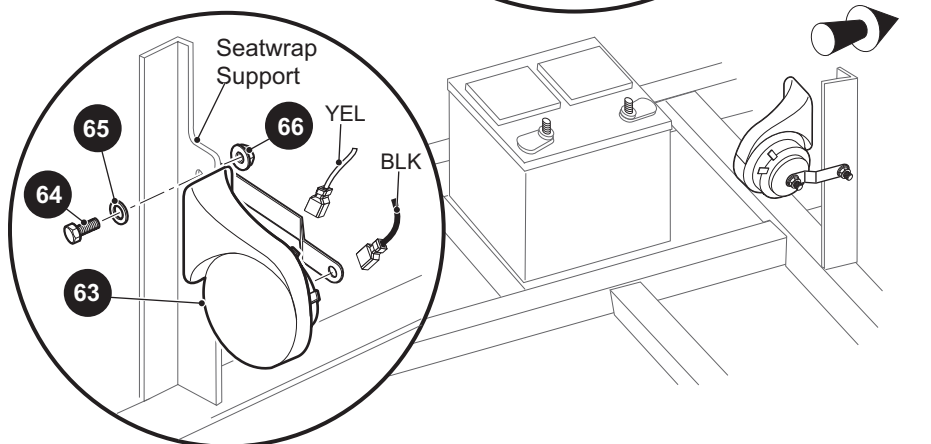
ITEM	PART NO.	1 2 3 4 5	DESCRIPTION	QTY.
32	605563		ELECTRICAL PLATE ASSEMBLY (INCLUDES ITEMS 33 - 47)	1
33	73057G01		BRACKET	1
34	27739G01		VOLTAGE REGULATOR	1
35	303459		HEX HEAD BOLT, 1/4" - 20 X 1 1/2" LG	1
36	11027G2		LOCK NUT, 1/4" - 20	2
37	25972G33		6 GA WIRE ASSEMBLY	1
38	603282		RELAY, 12V	1
39	00661G8		HEX HEAD CAP BOLT (SS), 1/4 - 20 X 1" LG	1
40	612813		SOLENOID	1
41	*		LOCK WASHER, #10	2
42	*		HEX NUT, #10 - 32	2
43	*		LOCK WASHER, 5/16"	2
44	*		HEX NUT, 5/16" - 24	2
45	600418G01		FUSE HOLDER ASSEMBLY	1
46	73446G01		FASTON TAB, 90°	2
47	25978G56		18 GA WIRE (BLACK 5 3/4")	1
48				
49	00664G7		LOCK WASHER (SS), 0.255/0.263	1
50	00532G1		HEX CAP NUT, 1/4" - 20	1
51	605639		KEY SWITCH HARNESS	1
52	625808		ACCESSORY HARNESS (NOT ILLUSTRATED)	1
53				
54	73290G03		CONTINUOUS TONE POTTED BUZZER	1
55	01041G01		RIVET, 5/32" DIA	2
56	25978G122		18 GA WIRE (NOT ILLUSTRATED)	1
57				
58				
59				
60				
61				
62				



Horn Button

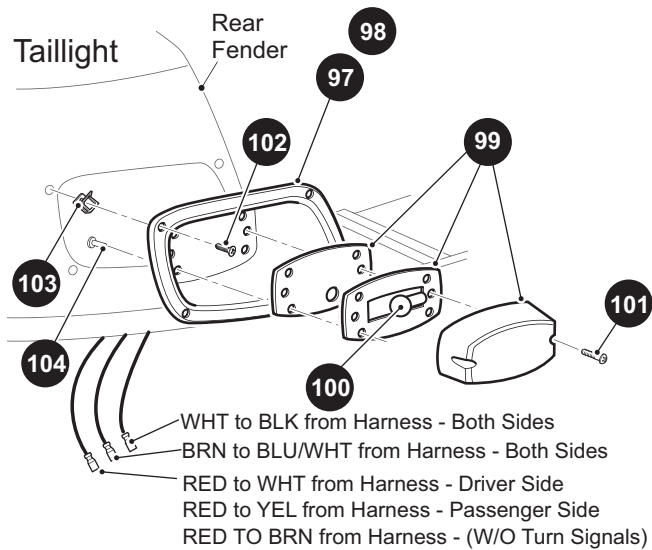
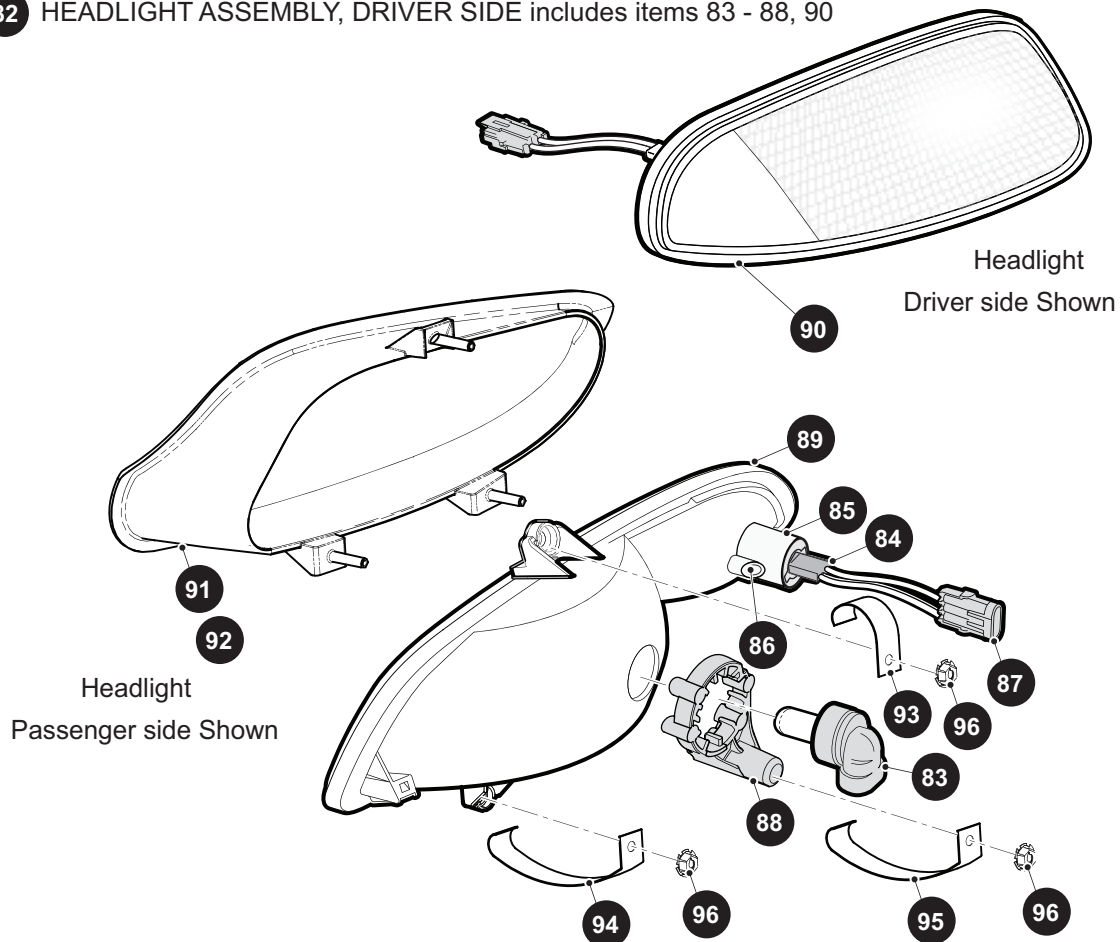


Horn

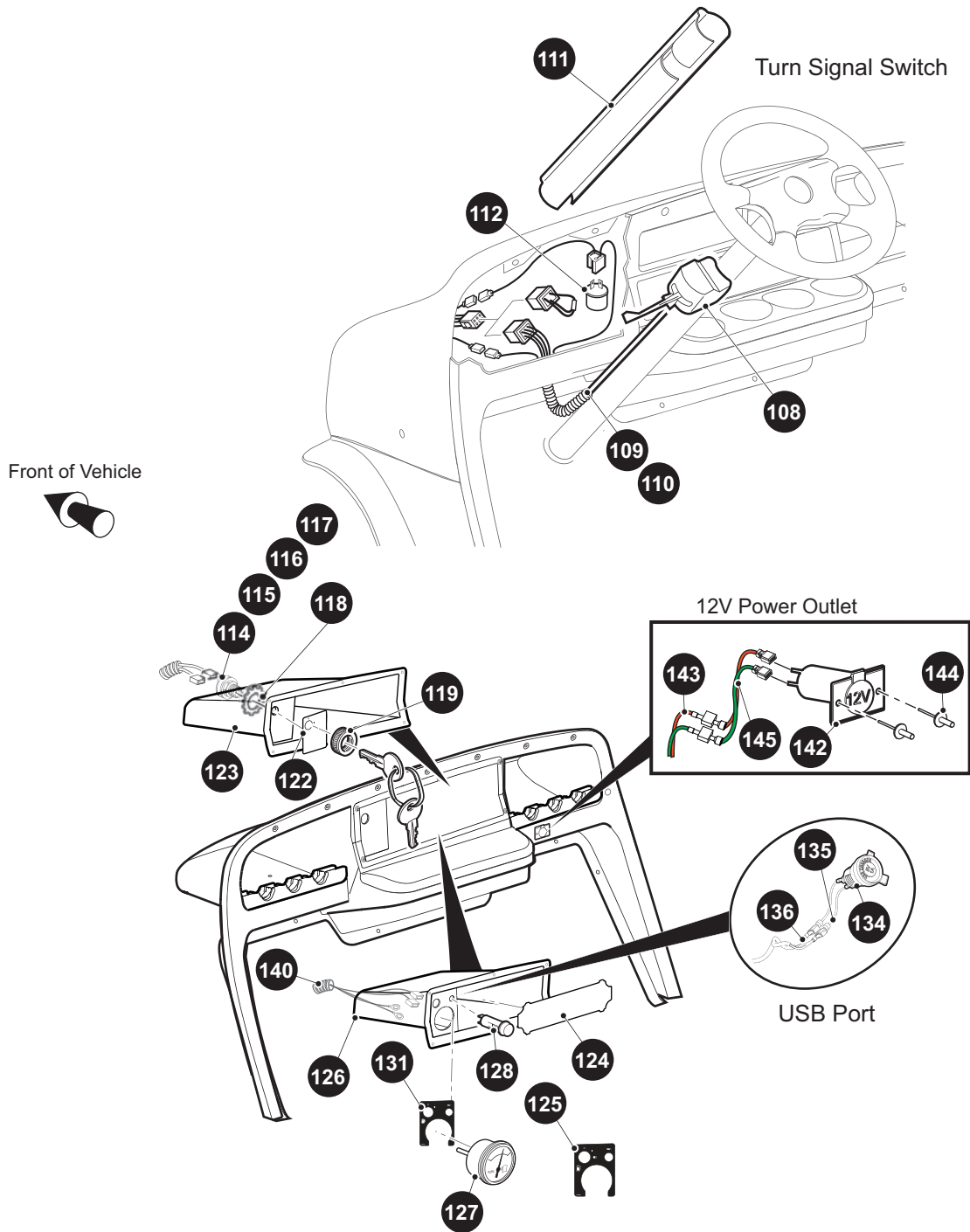


81 HEADLIGHT ASSEMBLY, PASSENGER SIDE includes items 83 - 89

82 HEADLIGHT ASSEMBLY, DRIVER SIDE includes items 83 - 88, 90



99 TAILLIGHT ASSEMBLY includes item 100



WARNING Failure to follow these instructions can result in **SERIOUS INJURY** or **DEATH**.

Except where PERMITTED BY LAW, NEVER drive on public roads. Drivers must possess a valid driver's license in accordance with local state law.

AVOID FALLS from this vehicle. Do not start moving until all occupants are PROPERLY SEATED and HOLDING ON. KEEP entire body INSIDE VEHICLE while moving.

Remove the FEET OF OCCUPANTS. Always DRIVE SLOWLY in congested areas, or near or loose terrain. Be alert when backing up. DRIVE SLOWLY when starting and AVOID sudden stops. ALWAYS drive straight up and down slopes. Do not coast.

USE BRAKE WHEN GOING DOWN A HILL. NEVER drive this vehicle under the influence of drugs or alcohol.

This vehicle is NOT A TOY. Drive responsibly. NEVER leave children unattended or allow children to play on the vehicle. NEVER leave the key in the vehicle when parked.

DO NOT OVERLOAD this vehicle. NEVER carry more than 2 occupants on each bench seat. Do not exceed vehicle WEIGHT CAPACITY (see Owner's Guide).

DO NOT MODIFY this vehicle. NEVER alter this vehicle to increase travel speeds above factory specifications. ONLY authorized EX-GO dealers should alter the vehicle using approved parts. Alterations not approved or tested by EX-GO can create unsafe conditions and increase your chance of having an accident. ONLY authorized EX-GO dealers should alter the vehicle using approved parts. Alterations not approved or tested by EX-GO can create unsafe conditions and increase your chance of having an accident.

When ordering parts, please specify the model and serial number of the product.

* Indicates a component that is not available as an individual part.

*** Indicates consult Customer Service Department for additional information.

ITEM	PART NO.	1 2 3 4 5	DESCRIPTION	QTY.
63	32860G1		HORN.....	1
64	00414G5		HEX HEAD CAP BOLT, 1/4" - 20 X 5/8" LG.....	1
65	00559G7		FLAT WASHER, 1/4".....	1
66	14390G4		LOCK NUT, 1/4" - 20.....	1
67	17318G1		HORN MOMENTARY SWITCH.....	1
68	27068G01		HORN SWITCH BOOT.....	1
69	608397		HORN PLATE.....	1
70	71055G01		RIVET, 3/16" X 1" LG (ALUMINUM).....	2
71	17318G2		HORN SWITCH CAP AND NUT.....	1
72				
73				
74	617074		HOUR METER.....	1
75	603721		HOUR METER BRACKET.....	1
76	606254		HOUR METER WIRE HARNESS.....	1
77	17618G1		NYLON CLAMP.....	AR
78				
79				
80				
81	602928		HEADLIGHT ASSEMBLY (PASSENGER SIDE) (INCLUDES ITEMS 83 - 89).....	1
82	603328		HEADLIGHT ASSEMBLY (DRIVER SIDE) (INCLUDES ITEMS 83 - 88, 90) .	1
83	74004G01		HEADLIGHT BULB.....	1
84	604539		TURN SIGNAL BULB.....	1
85	*		BULB RETAINER.....	1
86	608328		BUTTON HEAD TORX SCREW, M3 - 1.3 X 14.....	1
87	607487		TURN SIGNAL WIRE HARNESS.....	1
88	615459		COLLAR.....	1
89	*		HEADLAMP W/O BULBS (PASSENGER SIDE).....	1
90	*		HEADLAMP W/O BULBS (DRIVER SIDE).....	1
91	625280		HEADLAMP BEZEL (DRIVER SIDE).....	1
92	625281		HEADLAMP BEZEL (PASSENGER SIDE).....	1

ELECTRICAL

When ordering parts, please specify the model and serial number of the product.

* Indicates a component that is not available as an individual part.

*** Indicates consult Customer Service Department for additional information.

ITEM	PART NO.	1	2	3	4	5	DESCRIPTION	QTY.
93	626275						CLIP.....	2
94	626276						CLIP	2
95	626277						CLIP.....	2
96	71597G01						SELF THREADING NUT, 5 X 10 X 15MM.....	6
97	625251						TAILLIGHT BEZEL (DRIVER SIDE).....	1
98	625252						TAILLIGHT BEZEL (PASSENGER SIDE)	1
99	22288G1						TAILLIGHT ASSEMBLY (INCLUDES ITEM 100)	2
100	21759G1						TAILLIGHT BULB.....	1
101	00513G4						PHILLIPS PAN HEAD SCREW, #8 X 1.5" LG	4
102	71425G01						TAPPING SCREW, #8 - 18 X 0.75	8
103	71364G02						"J" SPEED NUT, #8	8
104	14601G11						RIVET, 3/16" X 9/16" LG.....	4
105								
106								
107								
108	17867G1						TURN SIGNAL SWITCH ASSEMBLY	1
109	32307G3						FLEX LOOM, 3/8" X 8" LG	1
110	17618G1						NYLON CLAMP.....	2
111	20965G3						STEERING COLUMN COVER.....	1
112	21640G1						FLASHER UNIT.....	1
113								
114	18027G1						KEY SWITCH (WITHOUT LIGHTS - INDIVIDUALLY KEYED)	1
115	33639GXX						KEY SWITCH (WITH LIGHTS).....	1
116	18602G1						KEY SWITCH	1
117	17955G1						KEY SWITCH (GROUP KEYS).....	1
118	00568G6						LOCK WASHER, 3/4"	1
119	17137G1						FACE NUT, 3/4" - 20.....	1
120								
121								
122	625267						DECAL, KEY SWITCH, ON - OFF	1
123	628022						CENTER COMPARTMENT	1

When ordering parts, please specify the model and serial number of the product.

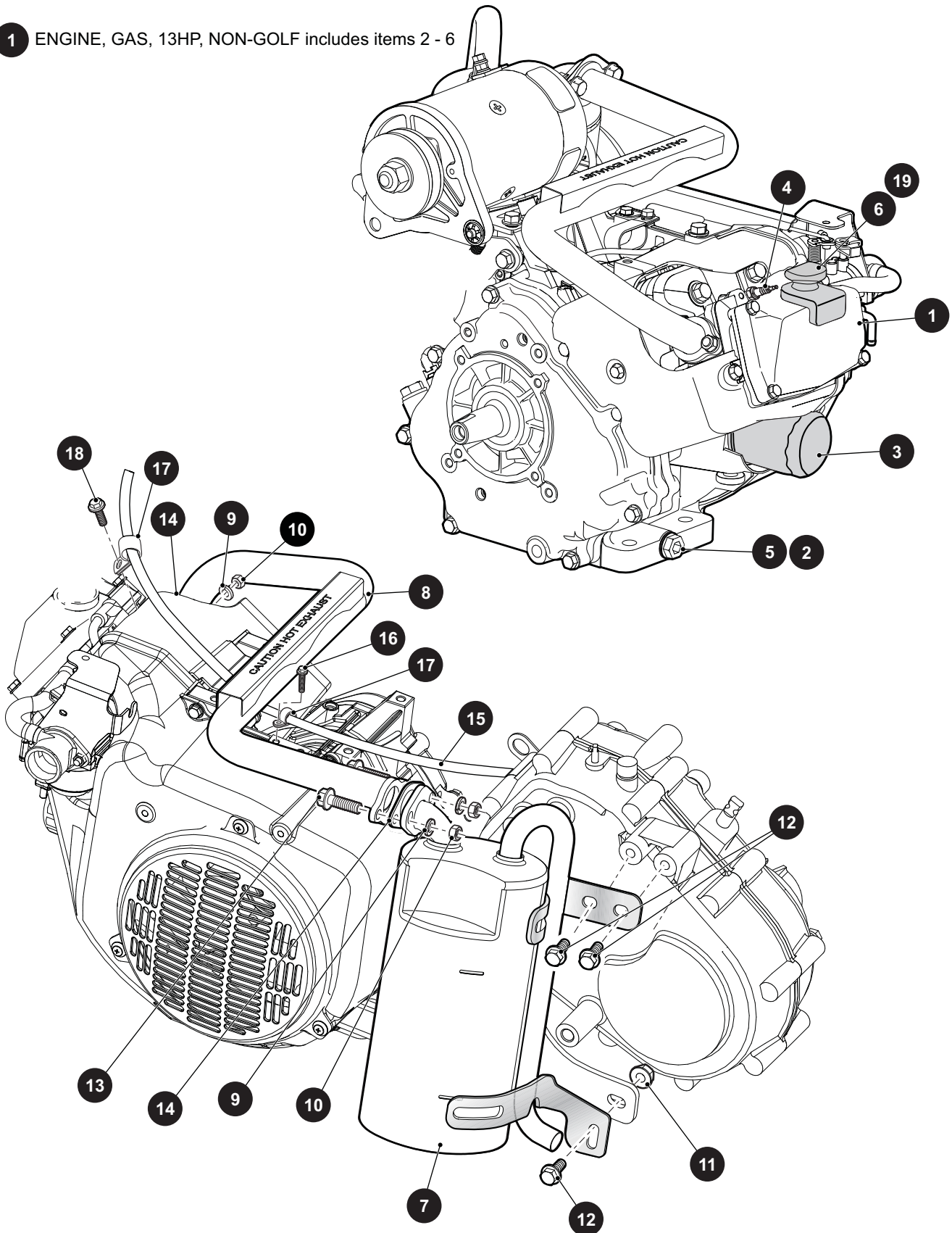
* Indicates a component that is not available as an individual part.

*** Indicates consult Customer Service Department for additional information.

ITEM	PART NO.	1 2 3 4 5	DESCRIPTION	QTY.
124	625224		CENTER COMPARTMENT DIVIDER	1
125	625269		DECAL, WITH LIGHTS, FUEL AND OIL	1
126	631103		CENTER COMPARTMENT WITH FUEL AND OIL.....	1
127	21553G1		FUEL GAUGE	1
128	23474G1		OIL/FUEL INDICATOR LIGHT	1
129				
130	628019		SAFETY LABEL, PVT CONSOLE	1
131	625274		DECAL, ON - OFF, FUEL AND OIL	1
132	634970		HARNESS, FUEL GAUGE/OIL INDICATOR (NOT ILLUSTRATED)	1
133				
134	633680		USB CHARGER PORT, 5V, 1A.....	1
135	634276		USB JUMPER HARNESS.....	1
136	633682		USB CHARGER HARNESS	1
137				
138				
139	634272		JUMPER HARNESS, REVERSE BUZZER	1
140	633683		JUMPER HARNESS, OIL/FUEL GAUGE	1
141				
142	71078G01		12V POWER OUTLET	1
143	633988		HARNESS , 12V POWER OUTLET.....	1
144	71055G01		RIVET, 3/16 DIA.....	2
145	634277		JUMPER HARNESS, 12V POWER OUTLET	1

ENGINE AND MUFFLER

1 ENGINE, GAS, 13HP, NON-GOLF includes items 2 - 6



ENGINE AND MUFFLER

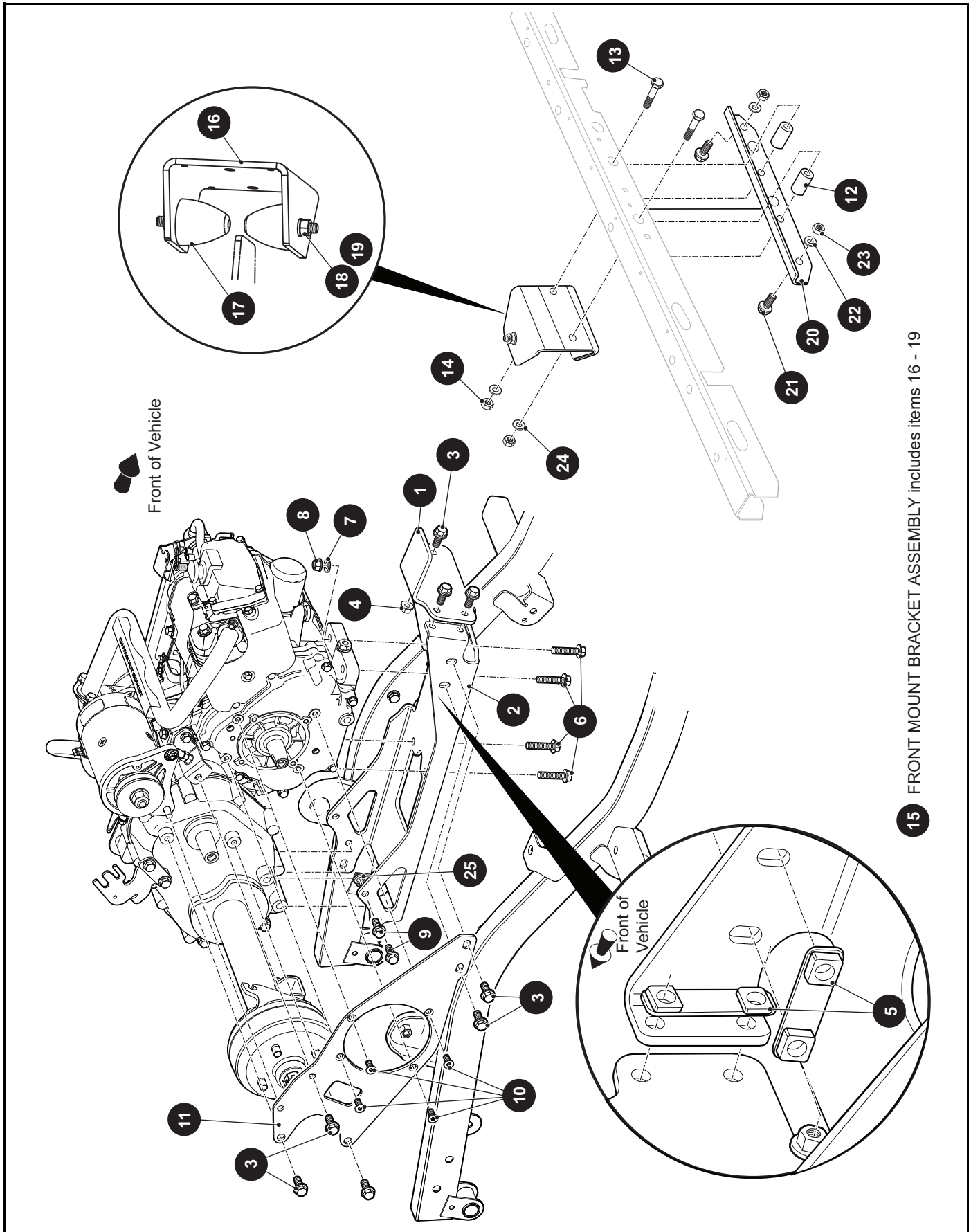
When ordering parts, please specify the model and serial number of the product.

* Indicates a component that is not available as an individual part.

*** Indicates consult Customer Service Department for additional information.

ITEM	PART NO.	1 2 3 4 5	DESCRIPTION	QTY.
1	607154		ENGINE, GAS, 13HP, NON-GOLF (INCLUDES ITEM 2 - 6)	1
2	603562		'O' RING, 16MM.....	1
3	607454		OIL FILTER.....	1
4	607462		SPARK PLUG (BPR2ES)	1
5	603557		OIL DRAIN PLUG	1
6	606390		DIP STICK	1
7	612266		MUFFLER	1
8	606982		EXHAUST PIPE	1
9	606272		SPLIT WASHER, 8MM	4
10	606267		JAM NUT, M8 - 1.25.....	4
11	606279		FLANGE NUT, M10 - 1.25.....	1
12	606256		HEX HEAD FLANGE BOLT, M10 - 1.25 X 25MM LG	3
13	602330		HEX HEAD FLANGE BOLT, M8 - 1.25 X 30MM LG	2
14	603599		EXHAUST GASKET.....	2
15	27184G12		FUEL TUBE	1
16	606264		HEX HEAD FLANGE BOLT, M6 - 1 X 20MM LG	1
17	606962		CLAMP.....	2
18	606265		HEX HEAD FLANGE BOLT, M6 - 1 X 12MM LG	1
19	606391		DIP STICK.....	1

ENGINE MOUNTING



15 FRONT MOUNT BRACKET ASSEMBLY includes items 16 - 19

ENGINE MOUNTING

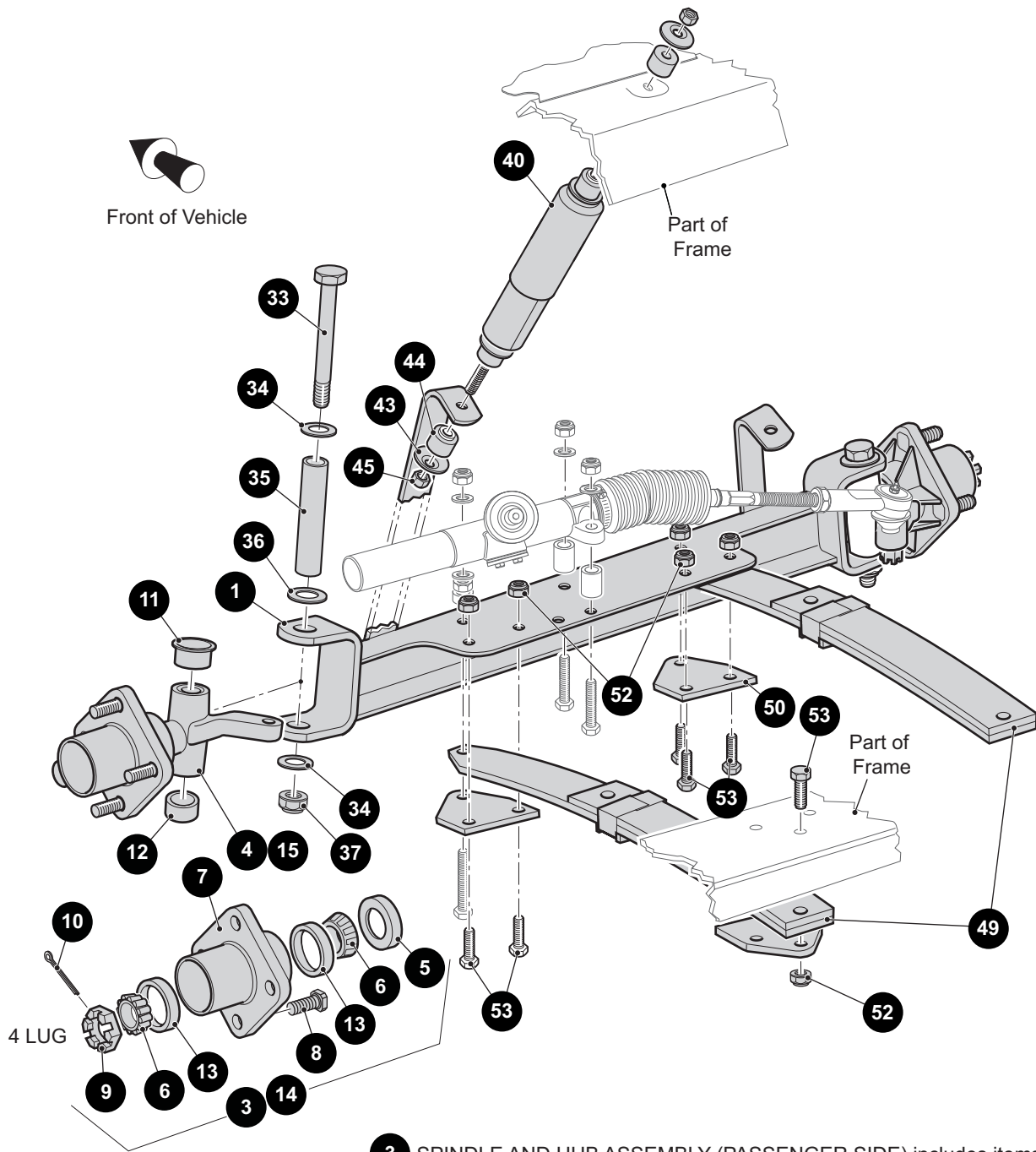
When ordering parts, please specify the model and serial number of the product.

* Indicates a component that is not available as an individual part.

*** Indicates consult Customer Service Department for additional information.

ITEM	PART NO.	1 2 3 4 5	DESCRIPTION	QTY.
1	606007		FRONT ENGINE MOUNT	1
2	603101		ENGINE PAN MOUNT	1
3	606256		HEX HEAD FLANGE BOLT, M10 - 1.25 X 25MM LG	8
4	606279		FLANGE NUT, M10 - 1.25.....	1
5	606096		NUT PLATE.....	2
6	606259		HEX HEAD FLANGE BOLT, M10 - 1.25 X 45MM LG	4
7	603823		FLAT WASHER, M10 X 22 O.D - 2.5 I.D	4
8	606279		FLANGE NUT, M10 - 1.25.....	4
9	608020		HEX HEAD FLANGE BOLT, M10 - 1.25 X 34MM LG	4
10	606246		FLAT HEAD TORX SCREW, T40	4
11	602146		DIFFERENTIAL PLATE	1
12	72016G01		TUBE SPACER	2
13	00428G8		HEX HEAD BOLT 3/8" - 16 X 2.75" LG.....	2
14	11098G5		LOCK NUT 3/8" - 16	2
15	627627		FRONT MOUNT BRACKET ASSEMBLY (INCLUDES ITEMS 16 - 19).....	1
16	625345		FRONT MOUNT BRACKET	1
17	605757		RUBBER BUMPER	2
18	00974G01		HEX NUT, M10 - 1.5.....	2
19	608654		SPLIT LOCK WASHER, 10MM	2
20	70269G02		CROSSMEMBER BRACE	1
21	00438G7		HEX HEAD SCREW, 5/16" - 18 X 7/8" LG.....	2
22	00559G8		FLAT WASHER, 5/16".....	2
23	01109G01		LOCK NUT, 5/16" - 18.....	2
24	00643G1		FLAT WASHER, 3/8"	2
25	00560G2		FLAT WASHER, 7/16".....	2

FRONT SUSPENSION AND STEERING



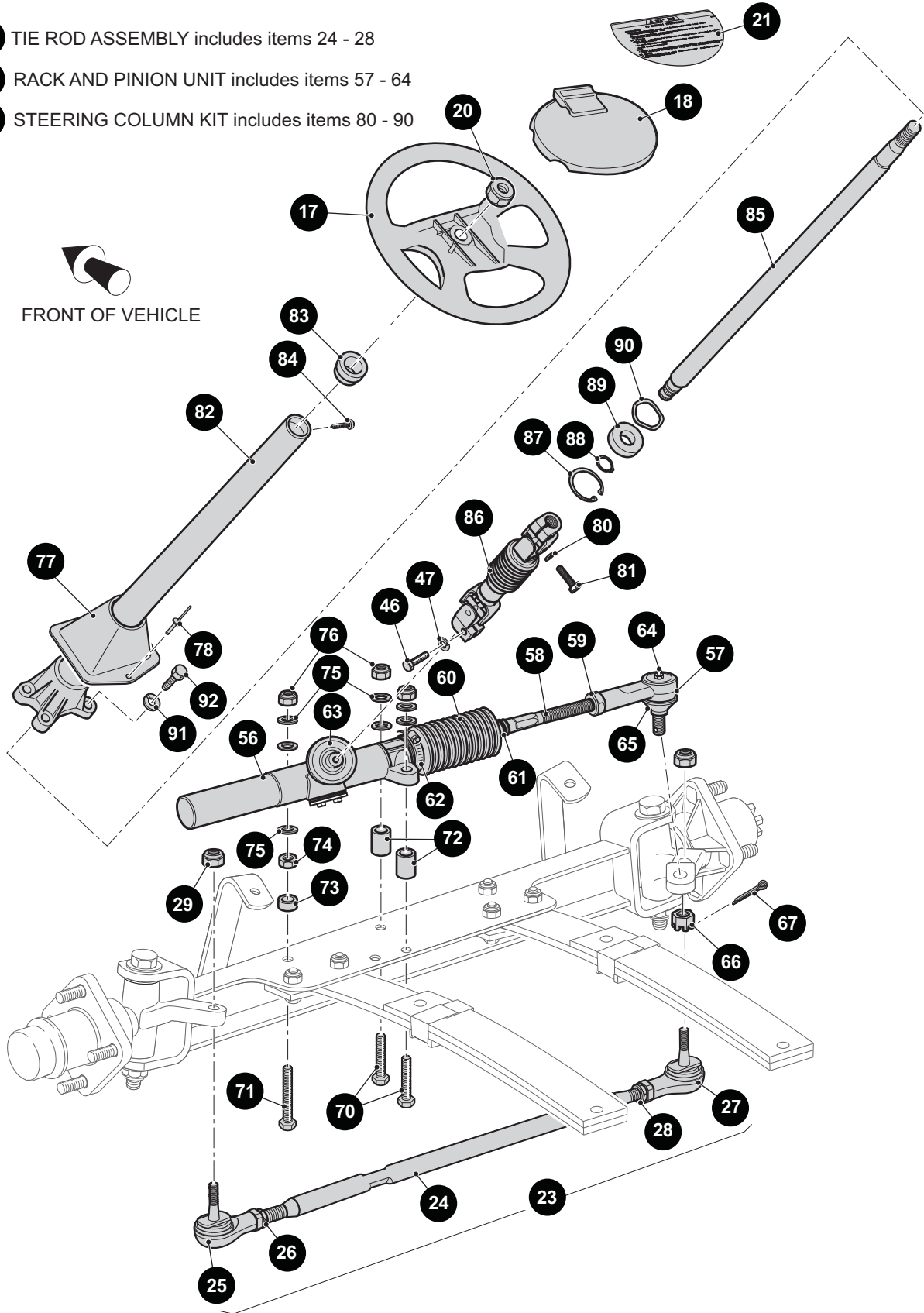
- 3** SPINDLE AND HUB ASSEMBLY (PASSENGER SIDE) includes items 4 - 13
- 14** SPINDLE AND HUB ASSEMBLY (DRIVER SIDE) includes items 5 - 13, 15

FRONT SUSPENSION AND STEERING

23 TIE ROD ASSEMBLY includes items 24 - 28

56 RACK AND PINION UNIT includes items 57 - 64

79 STEERING COLUMN KIT includes items 80 - 90



FRONT SUSPENSION AND STEERING

When ordering parts, please specify the model and serial number of the product.

* Indicates a component that is not available as an individual part.

*** Indicates consult Customer Service Department for additional information.

ITEM	PART NO.	1 2 3 4 5	DESCRIPTION	QTY.
1	602513		FRONT AXLE	1
2				
3	70942G03		SPINDLE AND HUB ASSEMBLY, 4 LUG (PASSENGER SIDE) (INCLUDES ITEMS 4 - 13)	1
4	70940G02		SPINDLE ASSEMBLY (PASSENGER SIDE)	1
5	25146G1		GREASE SEAL	1
6	11750G2		ROLLER BEARING	2
7	70589G01		WHEEL HUB	1
8	19862G1		LUG BOLT, 1/2" - 20 X 1 3/16" LG	4
9	12093G1		CASTELLATED NUT, 1" - 14	1
10	00798G8		COTTER PIN, 5/32" X 1 3/4" LG	1
11	70648G01		FLANGED BEARING	1
12	70749G01		BEARING	1
13	51141G1		RACE BEARING	2
14	70673G03		SPINDLE AND HUB ASSEMBLY, 4 LUG (DRIVER SIDE) (INCLUDES ITEMS 5 - 13, 15)	1
15	70742G02		SPINDLE ASSEMBLY (DRIVER SIDE)	1
16				
17	602979		STEERING WHEEL	1
18	607925		CLIPBOARD	1
19				
20	14390G2		LOCK NUT, 5/8" - 18	1
21	608529		WARNING LABEL	1
22				
23	70876G02		TIE ROD ASSEMBLY (INCLUDES ITEMS 24 - 28)	1
24	70897G02		THREADED ROD, 24" LG	1
25	70902G01		TIE ROD END (LEFT HAND THREADS)	1
26	01069G01		JAM NUT, M12 X 1.25 (LEFT HAND THREADS)	1
27	70902G02		TIE ROD END (RIGHT HAND THREADS)	1
28	01069G02		JAM NUT, M12 X 1.25 (RIGHT HAND THREADS)	1
29	00734G1		LOCK NUT, 7/16" - 14	2
30				

FRONT SUSPENSION AND STEERING

When ordering parts, please specify the model and serial number of the product.

* Indicates a component that is not available as an individual part.

*** Indicates consult Customer Service Department for additional information.

ITEM	PART NO.	1 2 3 4 5	DESCRIPTION	QTY.
31				
32				
33	00407G6		HEX HEAD BOLT 1/2" - 13 X 6" LG.....	2
34	00560G3		WASHER, 1/2"	4
35	70745G01		KING PIN TUBE.....	2
36	70754G01		THRUST WASHER (SS), 1"	2
37	14390G6		LOCK NUT, 1/2" - 13.....	2
38				
39				
40	76419G01		SHOCK ABSORBER	2
41				
42				
43	10435G1		SHOCK ABSORBER WASHER.....	8
44	10194G1		RUBBER BUSHING.....	8
45	00532G6		HEX NUT, 3/8" - 24	4
46	01055G01		HEX HEAD BOLT, M8 X 1.25 - 6G.....	1
47	00565G8		LOCK WASHER, 5/16"	1
48				
49	70990G03		LEAF SPRING (SEE PART NUMBER ON SPRING).....	2
50	70163G03		SPRING PLATE	4
51				
52	00734G1		LOCK NUT, 7/16" - 14.....	11
53	00463G11		HEX HEAD BOLT, 7/16" - 14 X 1 3/4" LG	11
54				
55				
56	70964G01		RACK AND PINION UNIT (COMPLETE) (INCLUDES ITEMS 57 - 64).....	1
57	70695G01		RACK BALL JOINT	1
58	*		RACK EXTENSION.....	1
59	*		JAM NUT, 1/2" - 20.....	1
60	70961G01		RACK BOOT	1
61	12416G2		WIRE TIE.....	1

FRONT SUSPENSION AND STEERING

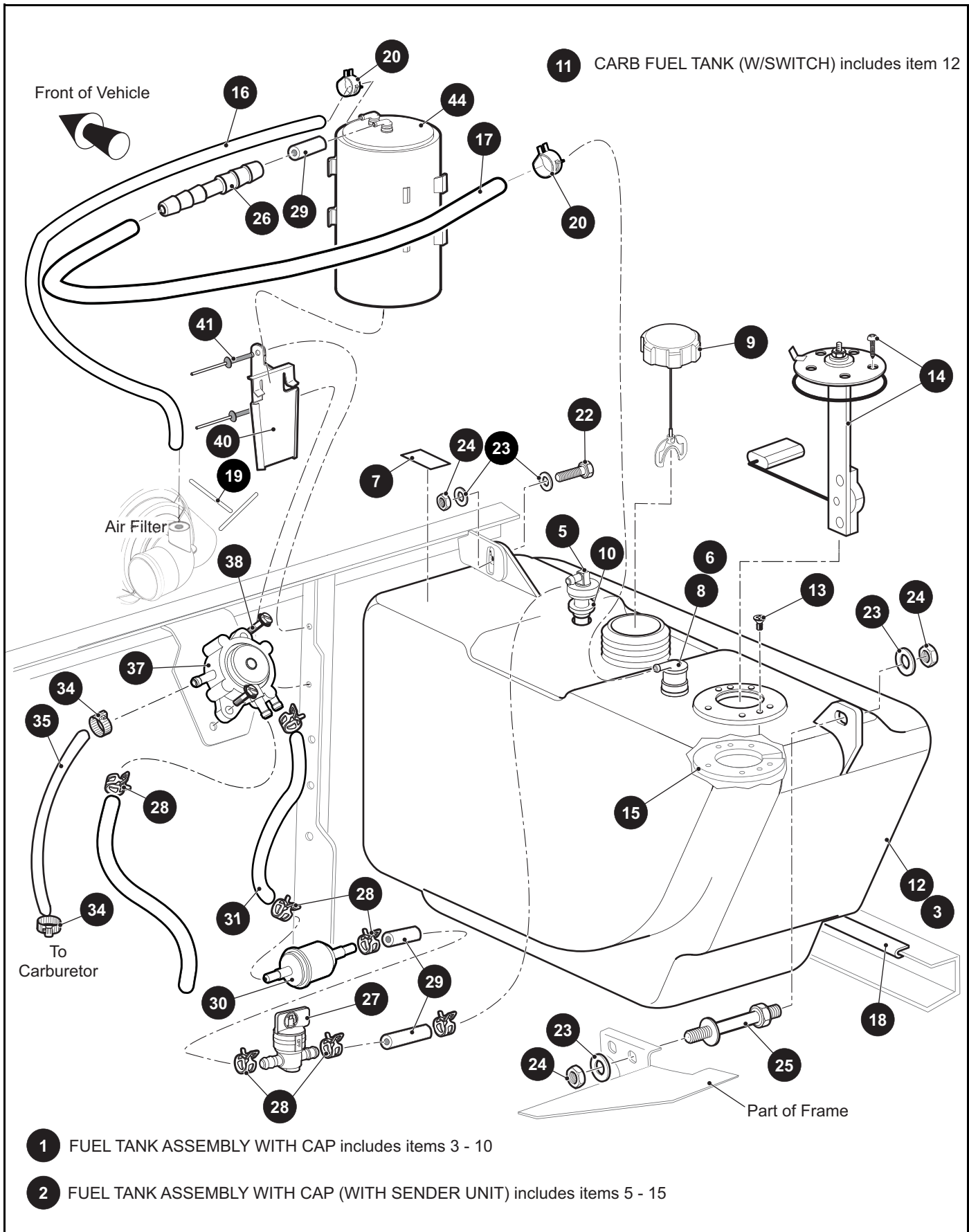
When ordering parts, please specify the model and serial number of the product.

* Indicates a component that is not available as an individual part.

*** Indicates consult Customer Service Department for additional information.

ITEM	PART NO.	1 2 3 4 5	DESCRIPTION	QTY.
62	11391G8		CLAMP, 1 13/16 - 2 3/8"	1
63	70638G01		PINION SEAL.....	1
64	10389G3		GREASE FITTING, STRAIGHT	1
65	50641G1		RUBBER BOOT	1
66	50209G2		CASTELLATED NUT, 7/16" - 20.....	1
67	10387G2		COTTER PIN, 3/32" X 1" LG	1
68				
69				
70	00464G6		HEX HEAD BOLT, 7/16" - 14 X 2 3/4" LG.....	2
71	01068G01		HEX HEAD BOLT, 7/16" - 14 X 3 1/2" LG.....	1
72	70667G02		SPACER, 1.21"	2
73	70667G04		SPACER (SHORT), 0.69"	1
74	00532G7		HEX NUT, 7/16" - 14.....	1
75	00560G2		FLAT WASHER, 7/16"	7
76	00734G1		LOCK NUT, 7/16" - 14	3
77	70997G01		COVER.....	1
78	71055G01		RIVET, 3/16" X 1" LG (ALUMINUM)	1
79	70758G05		STEERING COLUMN KIT (INCLUDES ITEMS 80 - 90)	1
80	00565G8		LOCK WASHER, 5/16"	1
81	01055G01		HEX HEAD BOLT, M8 X 1.25 - 6G.....	1
82	70610G03		STEERING COLUMN	1
83	28569G01		STEERING COLUMN BUSHING.....	1
84	01022G01		HEX WASHER HEAD SCREW, #6 - 20 X 5/16" LG	1
85	70607G01		STEERING SHAFT	1
86	70580G01		INTERMEDIATE SHAFT	1
87	70751G01		RETAINING RING (INTERNAL).....	1
88	70888G01		RETAINING RING (EXTERNAL)	1
89	15112G1		BALL BEARING	1
90	70887G01		WAVE WASHER	1
91	00879G1		LOCK WASHER, 3/8"	4
92	01006G01		HEX HEAD BOLT, 3/8" - 16 X 1 1/4" LG.....	4

FUEL SYSTEM



When ordering parts, please specify the model and serial number of the product.

* Indicates a component that is not available as an individual part.

*** Indicates consult Customer Service Department for additional information.

ITEM	PART NO.	1 2 3 4 5	DESCRIPTION	QTY.
1	618120		FUEL TANK ASSEMBLY WITH CAP (INCLUDES ITEMS 3 - 10)	1
2	618121		FUEL TANK ASSEMBLY WITH CAP (WITH SENDER UNIT) (INCLUDES ITEMS 5 - 15)	1
3	620179		STANDARD FUEL TANK (CARB III)	1
4				
5	18287G3		SIPHON TUBE ASSEMBLY	1
6	606068		ROLLOVER VALVE GROMMET	1
7	625826		EPA FUEL TANK LABEL	1
8	606067		ROLLOVER VALVE	1
9	617885		FUEL TANK CAP (RATCHET).....	1
10	70988G01		SIPHON TUBE GROMMET	1
11	607479		CARB FUEL TANK, FLOUR (W/SWITCH) (INCLUDES ITEM 12).....	1
12	618669		FUEL TANK, W/ SENDER UNIT	1
13	72230G01		FLAT HEAD MACHINE SCREW, #6 - 32 X 0.5" LG.....	2
14	20048G2		FUEL LEVEL SENDER	1
15	72229G01		FUEL TANK ADAPTER	1
16	606966		LOW PRESSURE FUEL HOSE, 3/8" O.D X 3/16" I.D X 34" LG (CARB).....	1
17	607546		LOW PRESSURE FUEL HOSE, 3/8" O.D X 3/16" I.D X 17" LG (CARB).....	1
18	32372G6		BLACK TRIM, 6.25" LG	1
19	17618G1		NYLON CLAMP	2
20	606963		TUBING CLAMP, 3/16" I.D.....	2
21				
22	00438G8		HEX HEAD BOLT, 5/16" - 18 X 1" LG	1
23	00559G8		FLAT WASHER, 5/16"	4
24	11098G6		LOCK NUT, 5/16" - 18	3
25	70483G01		SPACER, 5/16" - 18	1
26	615346		HOSE REDUCER - ID, 1/4" X 3/16"	1
27	611181		FUEL SHUT-OFF VALVE	1
28	18292G1		HOSE CLAMP, 0.5" DIA.....	7
29	615350		FUEL SYSTEM HOSE 2" LG	3
30	72084G01		FUEL LINE FILTER.....	1

FUEL SYSTEM

When ordering parts, please specify the model and serial number of the product.

* Indicates a component that is not available as an individual part.

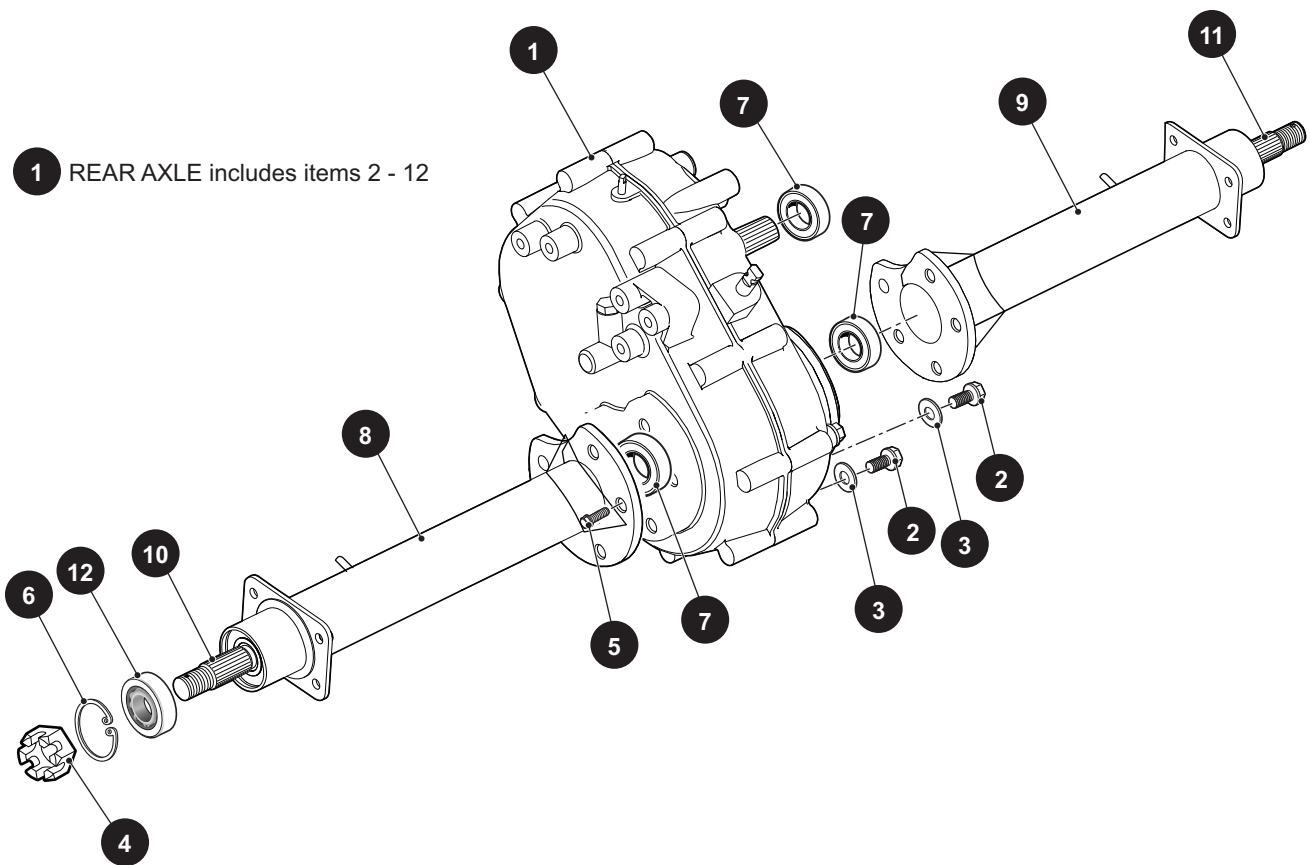
*** Indicates consult Customer Service Department for additional information.

ITEM	PART NO.	1 2 3 4 5	DESCRIPTION	QTY.
31	606969		FUEL SYSTEM HOSE, 8" LG	1
32				
33				
34	11391G4		HOSE CLAMP, 0.25" - 0.63" DIA.....	2
35	604597		CARB FUEL SYSTEM HOSE, 26" LG	1
36				
37	602061		FUEL PUMP	1
38	00114G6		HEX HEAD TAPPING SCREW, 1/4" - 14 X 0.75" LG.....	2
39				
40	606310		CARBON CANISTER MOUNTING BRACKET (CARB ONLY).....	1
41	10570G11		RIVET, 3/16" DIA X 0.70 (CARB ONLY).....	2
42				
43				
44	606071		CARBON CANISTER (CARB ONLY)	1

Notes:

Grid area for notes.

REAR AXLE



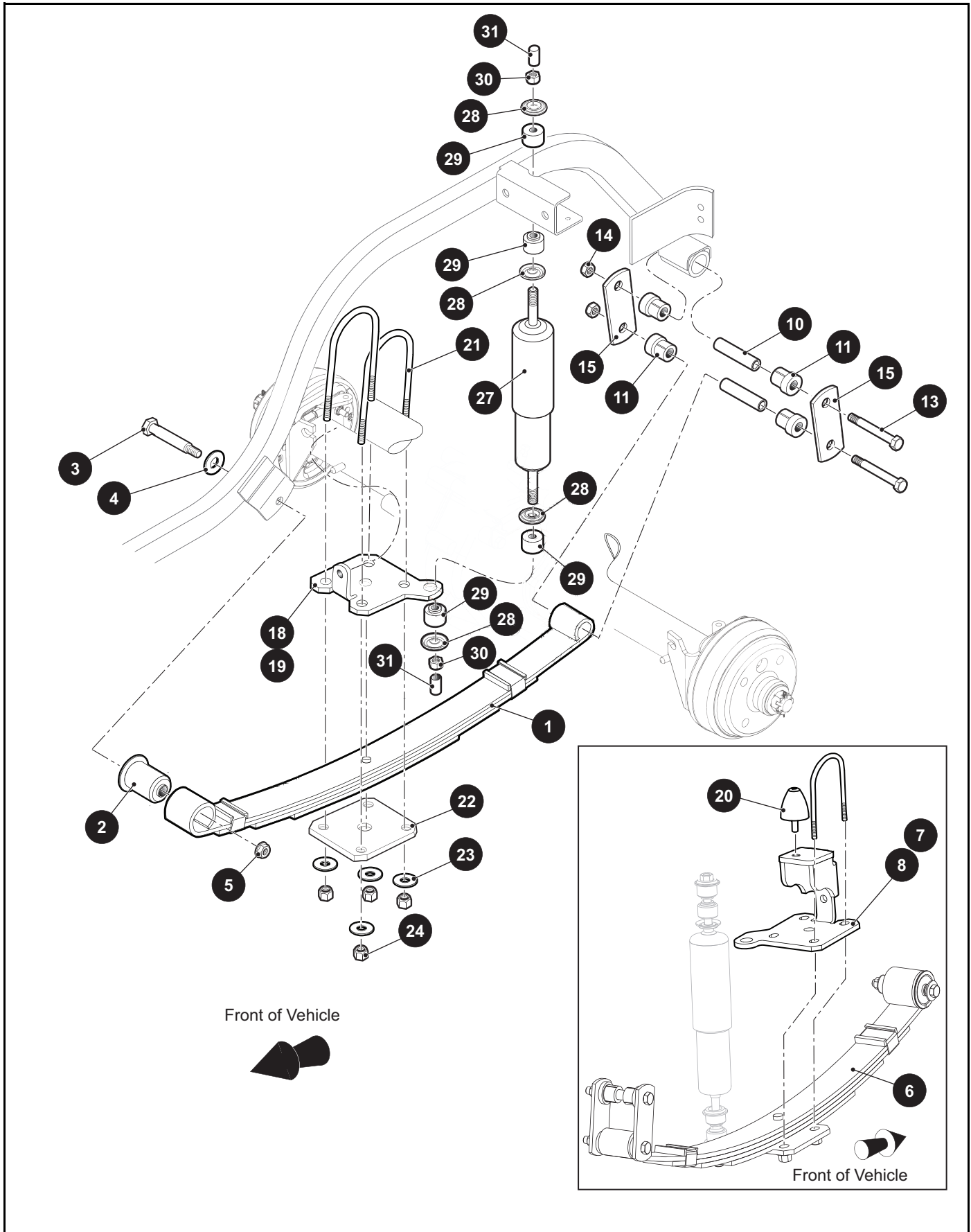
When ordering parts, please specify the model and serial number of the product.

* Indicates a component that is not available as an individual part.

*** Indicates consult Customer Service Department for additional information.

ITEM	PART NO.	1 2 3 4 5	DESCRIPTION	QTY.
1	627891		REAR AXLE, (INCLUDES ITEMS 2 - 12)	1
2	26770G01		OIL CHECK PLUG	2
3	26771G01		GASKET, 14MM	2
4	606403		SLOTTED NUT, M22 - 1.5.....	2
5	72260G01		HEX HEAD FLANGE BOLT, M10 - 1.5 X 23MM LG.....	10
6	26814G01		RETAINING RING, 52MM.....	2
7	72259G01		OIL SEAL 28 X 47 X 9MM.....	3
8	607939		AXLE TUBE (DRIVER SIDE)	1
9	607940		AXLE TUBE (PASSENGER SIDE).....	1
10	607945		AXLE SHAFT (DRIVER SIDE)	1
11	607946		AXLE SHAFT (PASSENGER SIDE).....	1
12	26811G01		BALL BEARING.....	2

REAR SUSPENSION



REAR SUSPENSION

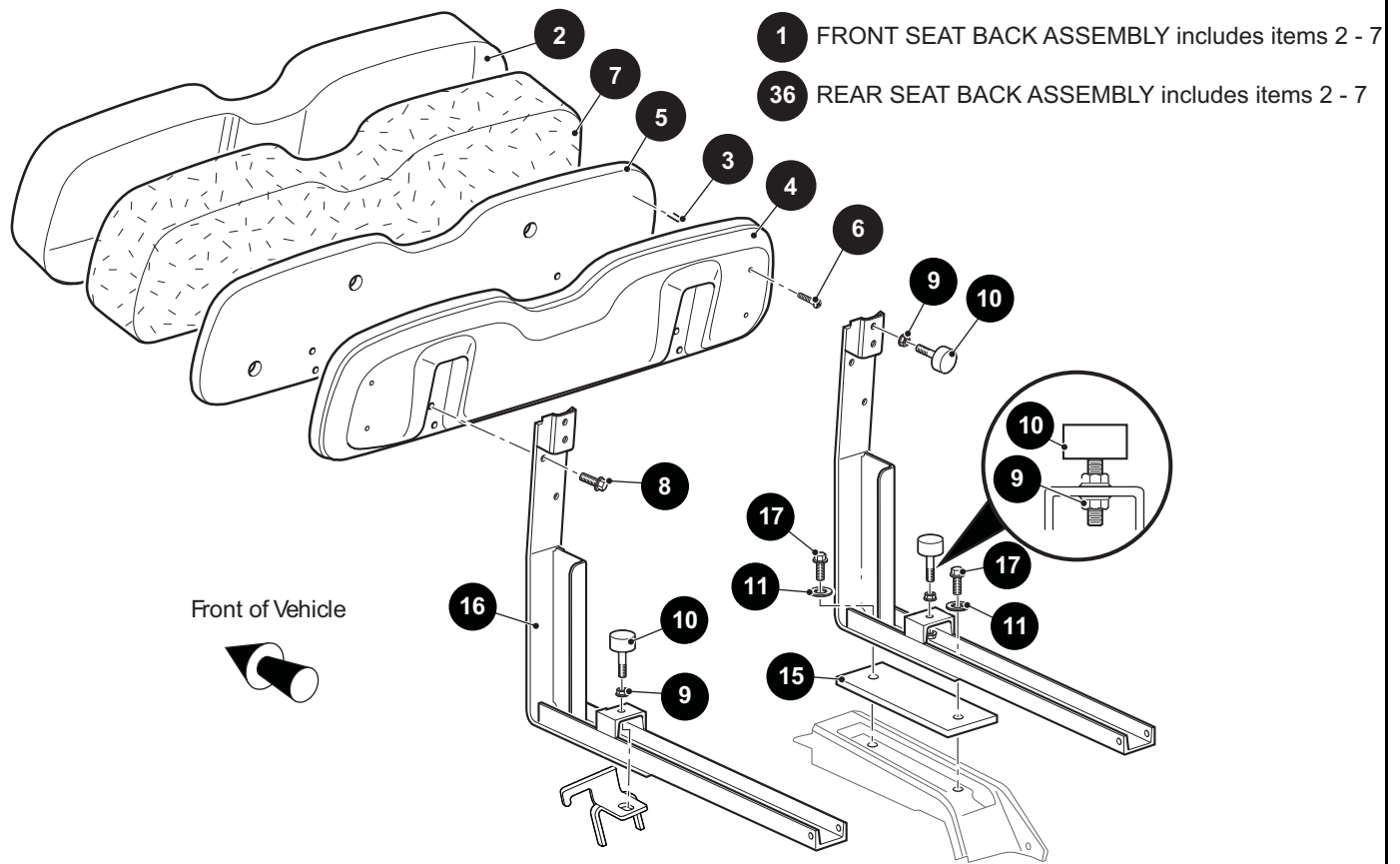
When ordering parts, please specify the model and serial number of the product.

* Indicates a component that is not available as an individual part.

*** Indicates consult Customer Service Department for additional information.

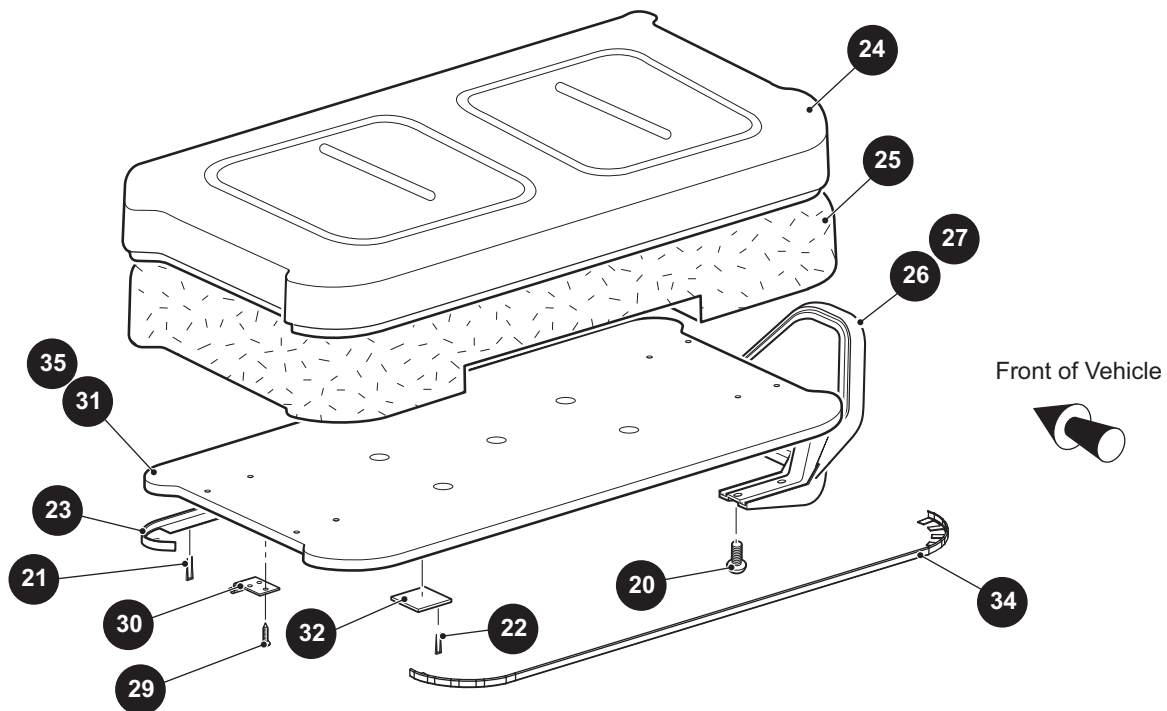
ITEM	PART NO.	1 2 3 4 5	DESCRIPTION	QTY.
1	605721		HEAVY DUTY LEAF SPRING.....	2
2	605445		LEAF SPRING BUSHING, FRONT	2
3	00665G9		HEX HEAD BOLT (SS), 3/8" - 16 X 3.5" LG	2
4	00643G1		FLAT WASHER, 3/8"	2
5	12262G1		FLANGED LOCK NUT, 3/8" - 16.....	2
6	605722		HEAVY DUTY LEAF SPRING (2+2 ONLY).....	2
7	605952		AXLE BRACKET (DRIVER SIDE) (2+2 ONLY).....	1
8	605959		AXLE BRACKET (PASSENGER SIDE) (2+2 ONLY)	1
9				
10	70289G02		SPLIT STEEL SPACER	4
11	624030		FLANGED BUSHING.....	8
12				
13	00665G9		HEX HEAD BOLT (SS), 3/8" - 16 X 3.5" LG	4
14	11098G5		LOCK NUT, 3/8" - 16.....	4
15	70290G02		SHACKLE PLATE	4
16				
17				
18	605938		AXLE BRACKET (DRIVER SIDE).....	1
19	605958		AXLE BRACKET (PASSENGER SIDE)	1
20	70492G01		RUBBER BUMPER (2+2 ONLY).....	2
21	32195G3		U-BOLT, 2 3/8" DIA X 5" LG	4
22	605956		REAR SUSPENSION PLATE	2
23	00643G1		FLAT WASHER, 3/8"	8
24	11098G5		LOCK NUT, 3/8" - 16.....	8
25				
26				
27	70248G01		SHOCK ABSORBER	2
28	10435G1		SHOCK ABSORBER WASHER.....	8
29	10194G1		RUBBER BUSHING	8
30	00532G6		HEX NUT, 3/8" - 24	4
31	10044G01		VINYL CAP	2

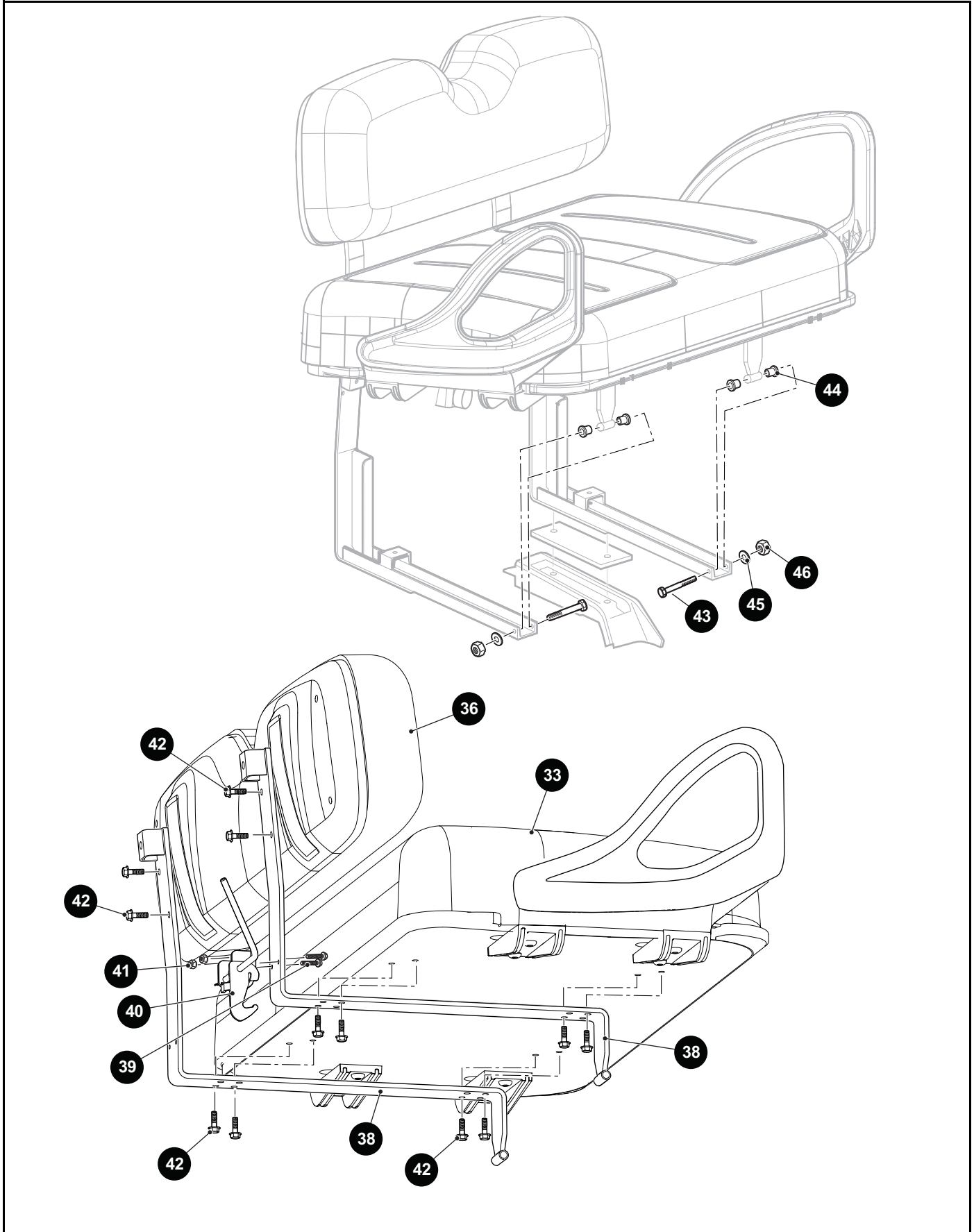
SEATING - CONVERTIBLE CARRIER



19 FRONT SEAT BOTTOM ASSEMBLY includes items 20 - 32

33 REAR SEAT BOTTOM ASSEMBLY includes items 20 - 28 and 34 - 35





SEATING - CONVERTIBLE CARRIER

When ordering parts, please specify the model and serial number of the product.

* Indicates a component that is not available as an individual part.

*** Indicates consult Customer Service Department for additional information.

ITEM	PART NO.	1	2	3	4	5	DESCRIPTION	QTY.
1	***						FRONT SEAT BACK ASSEMBLY (INCLUDES ITEMS 2 - 7) 71751G03 OYSTER 71751G02 GREY 71751G04 TAN 71751G05 SPECIAL	1
2	***						VINYL SEAT BACK COVER 71753G03 OYSTER 71753G02 GREY 71753G04 TAN 71753G05 SPECIAL	1
3	*						FLAT STAPLE	A/R
4	71752G01						PLASTIC SEAT BACK COVER	1
5	76414G01						SEAT BACK (WOOD)	1
6	01107G01						PAN HEAD TORX SCREW (SS), #8 X 5/8" LG	4
7	71754G01						FOAM PADDING (SEAT BACK)	1
8	71204G01						HEX HEAD BOLT, 1/4" - 20 X 7/8" LG.....	4
9	11027G1						LOCK NUT, 5/16" - 18	6
10	70113G01						ADJUSTABLE BUMPER	4
11	00560G1						WASHER, 3/8"	4
12								
13								
14								
15	70364G01						SPACER, 8.45" X 2"	2
16	625525						SEAT BACK SUPPORT	2
17	00427G2						HEX HEAD BOLT, 3/8" - 16 X 1" LG.....	4
18								
19	***						FRONT SEAT BOTTOM ASSEMBLY (INCLUDES ITEMS 20 - 32)..... 629269G0101 OYSTER 629269G0103 TAN 629269G0104 GREY 629269G0108 CUSTOM SOLID	1
20	600530						BUTTON HEAD TORX SCREW, M10 - 1.5 X 25MM LG	8
21	*						FLAT STAPLE (SS), 3/8".....	A/R
22	*						FLAT STAPLE	A/R
23	71012G01						VINYL TRIM (SEAT BOTTOM)	1

SEATING - CONVERTIBLE CARRIER

When ordering parts, please specify the model and serial number of the product.

* Indicates a component that is not available as an individual part.

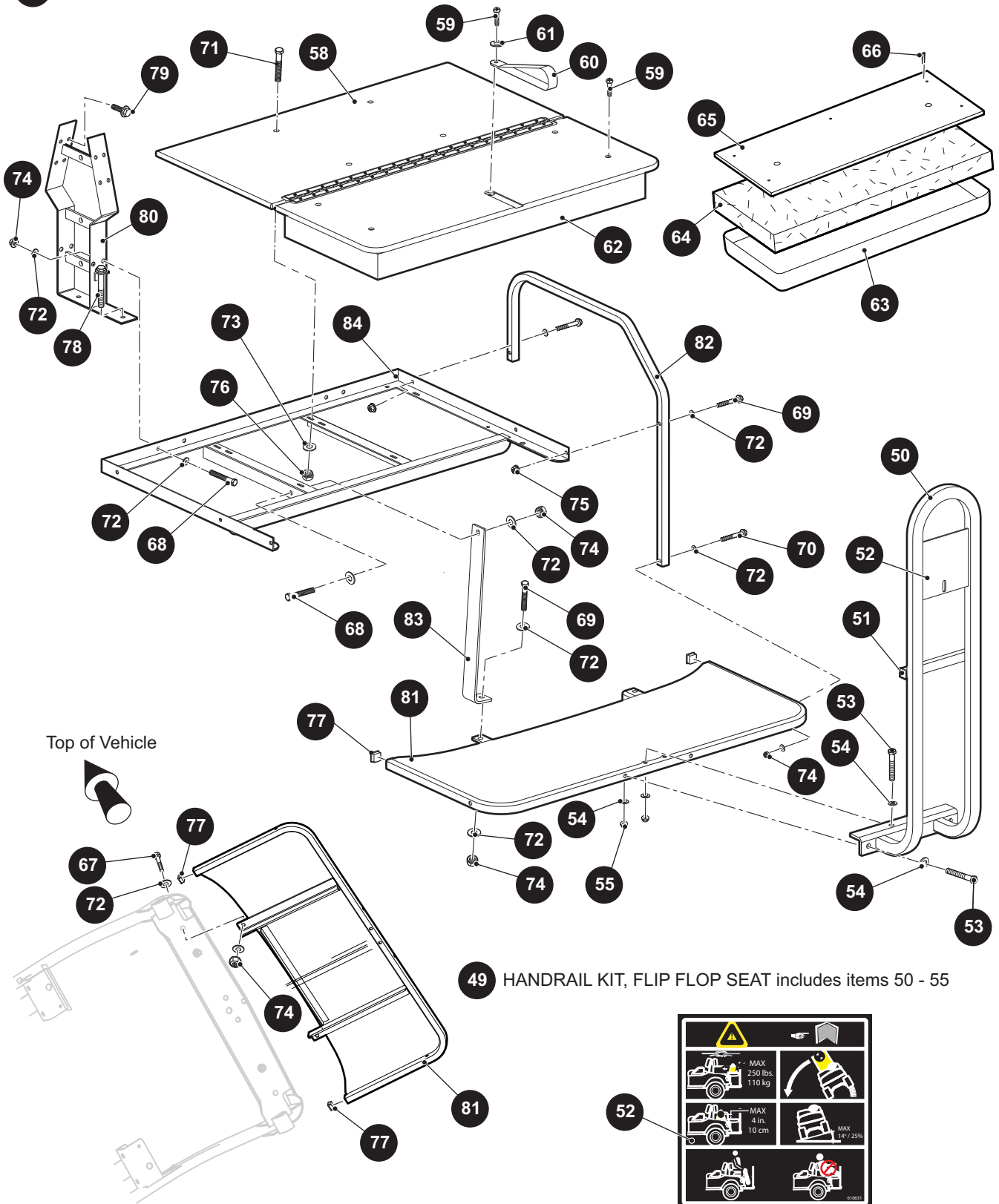
*** Indicates consult Customer Service Department for additional information.

ITEM	PART NO.	1 2 3 4 5	DESCRIPTION	QTY.
24	***		VINYL SEAT BOTTOM COVER 71602G03 OYSTER 71602G02 GREY 71602G04 TAN 71602G05 CUSTOM SOLID	1
25	71603G02		FOAM PADDING (SEAT BOTTOM)	1
26	617645		HIP RESTRAINT (DRIVER SIDE)	1
27	617644		HIP RESTRAINT (PASSENGER SIDE)	1
28	17618G1		NYLON CLAMP (NOT ILLUSTRATED)	1
29	00720G08		PHILLIPS HEAD TAPPING SCREW #12 -14 X 1" LG	6
30	71610G01		SEAT HINGE	2
31	629301		SEAT BOTTOM (WOOD)	1
32	17074G1		SOILING SLAB	2
33	***		REAR SEAT BOTTOM ASSEMBLY (INCLUDES ITEMS 20 - 28 AND 34 - 35)..... 629269G0301 OYSTER 629269G0303 TAN 629269G0304 GREY 629269G0308 CUSTOM SOLID	1
34	74140G01		VINYL TRIM (SEAT BOTTOM).....	1
35	629303		SEAT BOTTOM (WOOD)	1
36	***		REAR SEAT BACK ASSEMBLY (INCLUDES ITEMS 2 - 7) 71751G03 OYSTER 71751G02 GREY 71751G04 TAN 71751G05 SPECIAL	1
37				
38	625526		REAR SEAT SUPPORT WELDMENT	2
39	628906		HEX HEAD FLANGE BOLT, #10 - 24 X 3/4" LG	2
40	72917G01		BED LATCH ASSEMBLY	1
41	14390G10		LOCK NUT, #10 - 24	2
42	71204G01		HEX HEAD BOLT, 1/4" - 20 X 7/8" LG	12
43	00440G4		HEX HEAD BOLT, 5/16" - 18 X 2.5" LG	2
44	17838G1		NYLINER BUSHING, .5"	4
45	00559G8		FLAT WASHER, 5/16"	2
46	11098G6		LOCK NUT, 5/16" - 18	2

SEATING - CONVERTIBLE CARRIER

57 FLIP FLOP SEAT BOTTOM includes items 58 - 62

62 SEAT BOTTOM ASSEMBLY includes items 63 - 66



49 HANDRAIL KIT, FLIP FLOP SEAT includes items 50 - 55

SEATING - CONVERTIBLE CARRIER

When ordering parts, please specify the model and serial number of the product.

* Indicates a component that is not available as an individual part.

*** Indicates consult Customer Service Department for additional information.

ITEM	PART NO.	1 2 3 4 5	DESCRIPTION	QTY.
47				
48				
49	634184		HANDRAIL KIT, FLIP-FLOP SEAT (INCLUDES ITEMS 50 - 55).....	1
50	634185		FOOTREST HANDLE WELDMENT	1
51	19859G1		SQUARE CAP TUBE, 3/4"	2
52	610631		DECAL.....	1
53	00427G8		HEX HEAD BOLT, 3/8" - 16 X 2.0" LG.....	4
54	614221		FLAT WASHER, 3/8"	8
55	11098G5		PLASTIC LOCK NUT, 3/8" - 16	4
56				
57	***		FLIP FLOP SEAT BOTTOM (INCLUDES ITEMS 58 - 62)..... 628058G01 OYSTER 628058G03 TAN 628058G04 GREY	1
58	634190		DECK BOARD ASSEMBLY.....	1
59	16705G1		PHILLIPS TRUSS HEAD SCREW (SS), 1/4" - 20 X 1" LG	5
60	617402		SEAT STRAP	1
61	00559G7		FLAT WASHER, 1/4"	1
62	***		SEAT BOTTOM ASSEMBLY (INCLUDES ITEMS 63 - 66)	1
			632837G01 OYSTER 632837G03 TAN 632837G04 GREY	
63	***		VINYL SEAT BOTTOM	1
			615646 OYSTER 615647 TAN 617892 GREY	
64	617401		FOAM PADDING (SEAT BOTTOM).....	1
65	617400		SEAT BOTTOM (WOOD).....	1
66	*		FLAT STAPLE (SS), 3/8".....	A/R
67	00427G6		HEX HEAD BOLT, 3/8" - 16 X 1.75" LG	2
68	00427G2		HEX HEAD BOLT, 3/8" - 16 X 1.25" LG	4
69	00427G4		HEX HEAD BOLT, 3/8" - 16 X 1.5" LG	6
70	00428G8		HEX HEAD BOLT, 3/8" - 16 X 3.25" LG	2
71	16705G9		PHILLIPS TRUSS HEAD SCREW (SS), 1/4" - 20 X 1.25" LG.....	4

SEATING - CONVERTIBLE CARRIER

When ordering parts, please specify the model and serial number of the product.

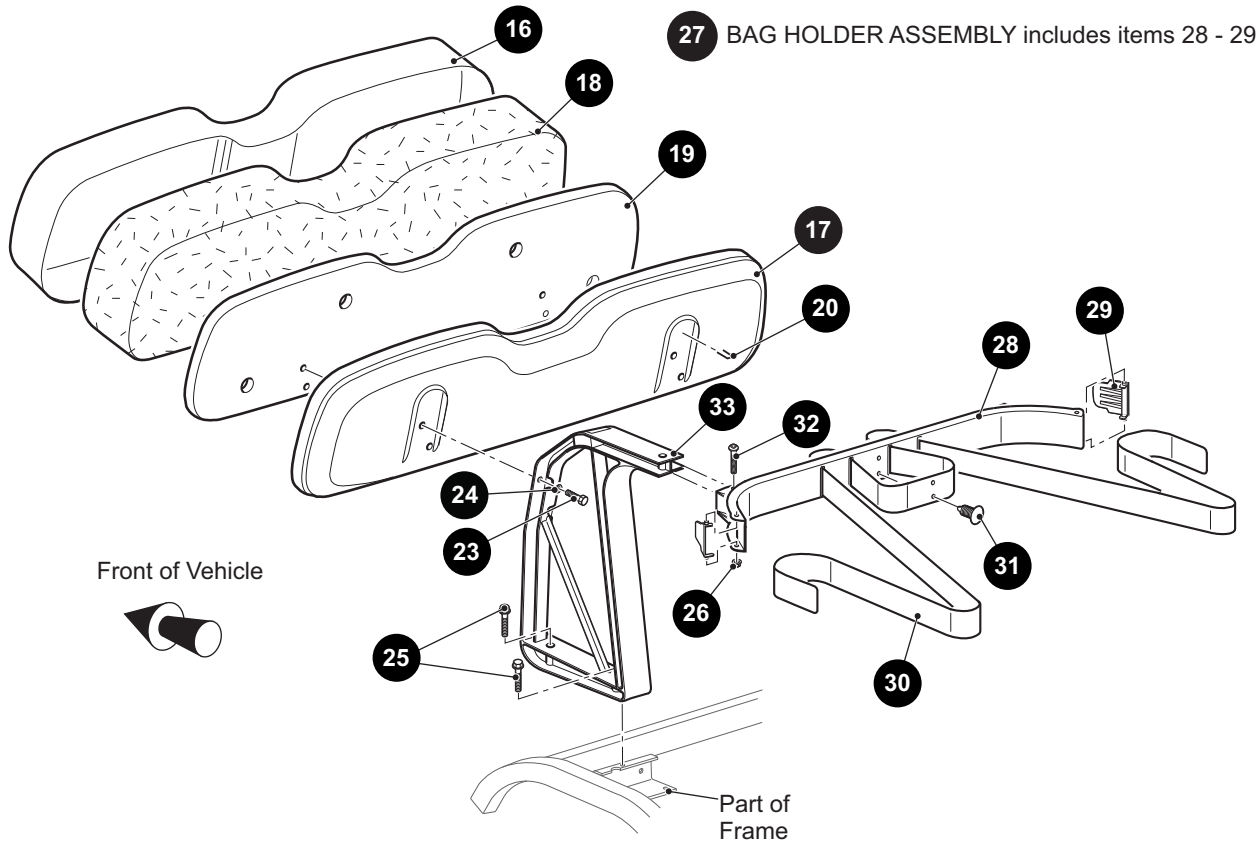
* Indicates a component that is not available as an individual part.

*** Indicates consult Customer Service Department for additional information.

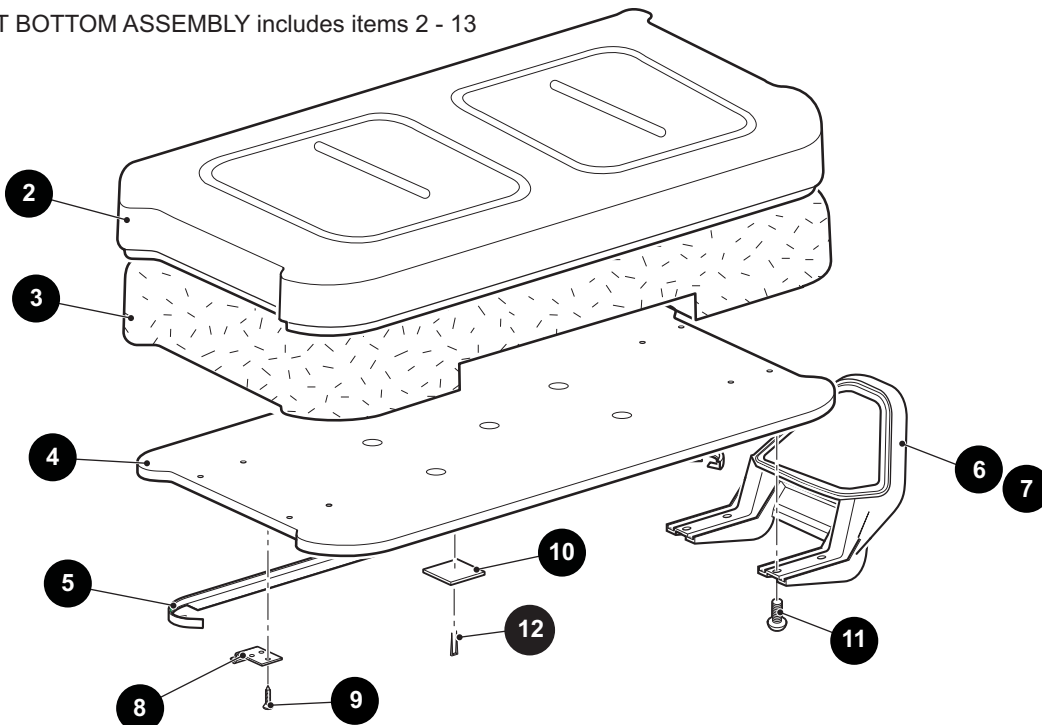
ITEM	PART NO.	1	2	3	4	5	DESCRIPTION	QTY.
72	614221						FLAT WASHER, 3/8"	24
73	00559G7						FLAT WASHER, 1/4"	4
74	11098G5						PLASTIC LOCK NUT, 3/8" - 16	10
75	11027G5						FLANGED LOCK NUT, 3/8" - 16	4
76	14390G4						PLASTIC LOCK NUT, 1/4" - 20	4
77	19853G1						SQUARE CAP TUBE, 1"	2
78	01006G01						HEX HEAD BOLT, 3/8" - 16 X 1.25" LG.....	4
79	71204G01						HEX HEAD BOLT, 1/4" - 20 X 7/8" LG.....	8
80	634178						SEAT BACK SUPPORT	1
81	634179						FOOTREST WELDMENT	1
82	634175						ARMREST, REAR SEAT	2
83	634174						SEAT FRAME SUPPORT.....	2
84	634180						SEAT FRAME WELDMENT	1

SEATING AND BAG HOLDER - GOLF CAR

15 SEAT BACK ASSEMBLY includes items 16 - 21



1 SEAT BOTTOM ASSEMBLY includes items 2 - 13



SEATING AND BAG HOLDER - GOLF CAR

When ordering parts, please specify the model and serial number of the product.

* Indicates a component that is not available as an individual part.

*** Indicates consult Customer Service Department for additional information.

ITEM	PART NO.	1 2 3 4 5	DESCRIPTION	QTY.
1	***		SEAT BOTTOM ASSEMBLY (INCLUDES ITEMS 2 - 13)..... 629269G0101 OYSTER 629269G0103 TAN 629269G0104 GREY 629269G0108 CUSTOM SOLID	1
2	***		SEAT BOTTOM COVER 71602G03 OYSTER 71602G02 GREY 71602G04 TAN 71602G05 CUSTOM SOLID	1
3	71603G02		FOAM PADDING (SEAT BOTTOM)	1
4	629301		SEAT BOTTOM (WOOD)	1
5	71012G01		VINYL TRIM (SEAT BOTTOM).....	1
6	617644		HIP RESTRAINT (PASSENGER SIDE)	1
7	617645		HIP RESTRAINT (DRIVER SIDE).....	1
8	71610G01		SEAT HINGE	2
9	00720G08		PHILLIPS HEAD TAPPING SCREW #12 -14 X 1" LG	6
10	17074G1		SOILING SLAB.....	2
11	600530		BUTTON HEAD TORX SCREW, M10 - 1.5 X 25MM LG	8
12	*		FLAT STAPLE.....	A/R
13	17618G1		NYLON CLAMP (NOT ILLUSTRATED).....	1
14				
15	***		SEAT BACK ASSEMBLY (INCLUDES ITEMS 16 - 21) 625229G0101 OYSTER 625229G0103 TAN 625229G0104 GREY 625229G0108 CUSTOM SOLID	1
16	***		VINYL SEAT BACK COVER 625234G01 OYSTER 625234G03 TAN 625234G04 GREY 625234G08 CUSTOM SOLID	1
17	625239		PLASTIC SEAT BACK COVER.....	1
18	625233		FOAM PADDING (SEAT BACK).....	1
19	625231		SEAT BACK BOARD (WOOD).....	1
20	*		FLAT STAPLE.....	A/R
21	17618G1		NYLON CLAMP (NOT ILLUSTRATED).....	1

SEATING AND BAG HOLDER - GOLF CAR

When ordering parts, please specify the model and serial number of the product.

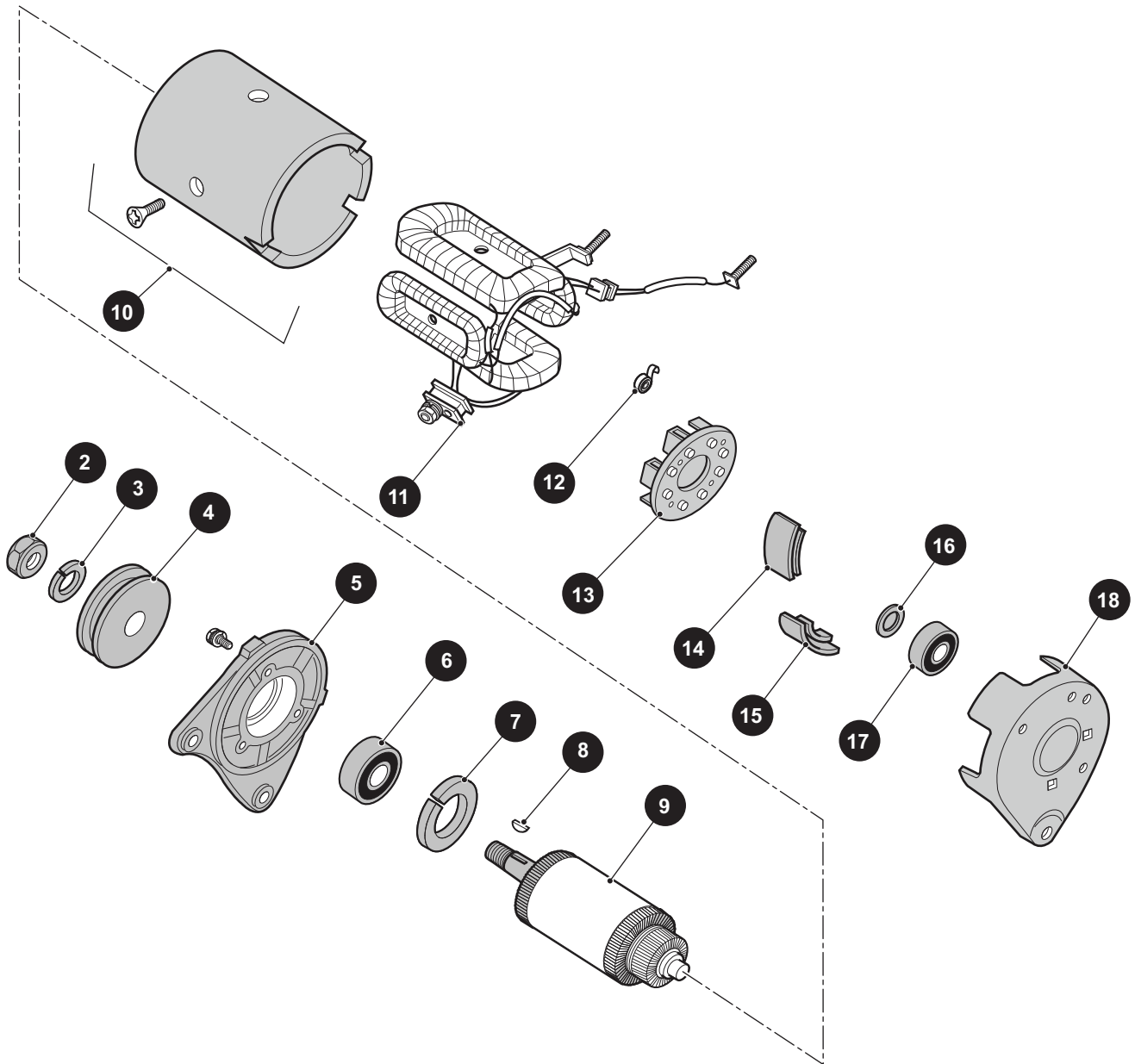
* Indicates a component that is not available as an individual part.

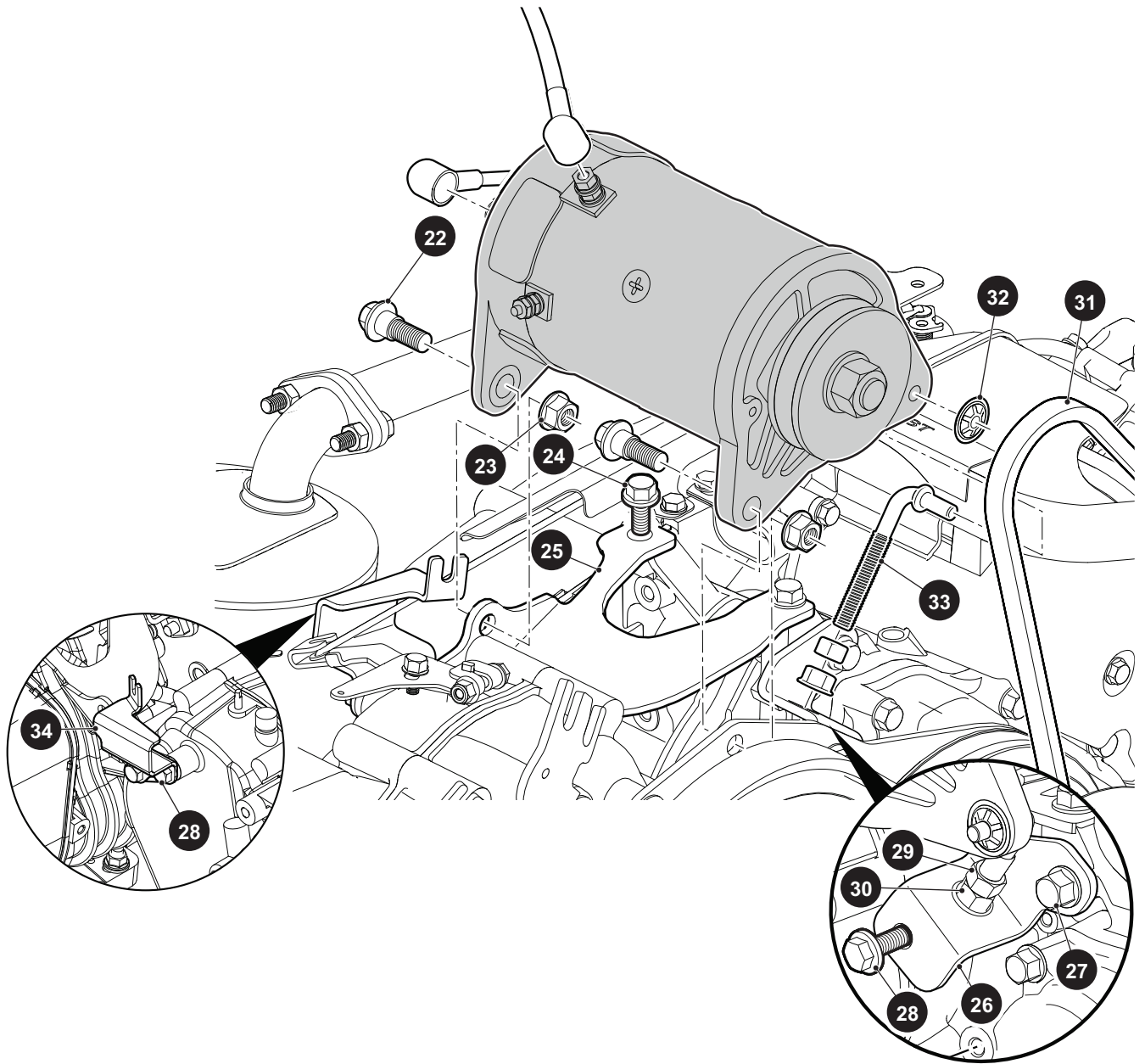
*** Indicates consult Customer Service Department for additional information.

ITEM	PART NO.	1	2	3	4	5	DESCRIPTION	QTY.
22								
23	605056						HEX HEAD BOLT (SS), 1/4" - 20 X 1" LG	4
24	00664G7						LOCK WASHER (SS), 1/4"	4
25	01075G01						HEX HEAD BOLT, 3/8" - 16 X 2 1/2" LG.....	4
26	11027G2						LOCK NUT, 1/4" - 20	2
27	618206						BAG HOLDER ASSEMBLY (INCLUDES ITEMS 28 - 29)	1
28	610642						BAG HOLDER BRACKET.....	1
29	608051						BAG RETAINER CLAMP	2
30	71853G01						BAG RETAINER STRAP	1
31	16816G1						RATCHET FASTENER, 1/4" X 9/16" LG	2
32	01102G01						CARRIAGE BOLT (SS), 1/4" - 20 X 1 1/2" LG.....	2
33	71811G03						SEAT SUPPORT BRACKET	2

STARTER / GENERATOR

1 STARTER / GENERATOR includes items 2 - 18





STARTER / GENERATOR

When ordering parts, please specify the model and serial number of the product.

* Indicates a component that is not available as an individual part.

*** Indicates consult Customer Service Department for additional information.

ITEM	PART NO.	1 2 3 4 5	DESCRIPTION	QTY.
1	625715		STARTER / GENERATOR (INCLUDES ITEMS 2 - 18)	1
2	612029		HEX NUT	1
3	612030		LOCK WASHER.....	1
4	625716		PULLEY	1
5	612032		FRONT COVER.....	1
6	612033		BEARING	1
7	612034		RETAINING RING.....	1
8	612035		KEY	1
9	612036		ARMATURE ASSEMBLY	1
10	612037		FRAME & FIELD ASSEMBLY	1
11	612038		BRUSH LEAD & TERMINAL PKG	1
12	612039		BRUSH SPRING.....	4
13	612040		BRUSH BOX ASSEMBLY	1
14	612041		BRUSH 1 COVER.....	3
15	612042		BRUSH 2 COVER.....	1
16	612043		WAVY WASHER	1
17	612044		BEARING.....	1
18	612045		REAR COVER	1
19				
20				
21				
22	606235		HEX HEAD SHOULDER BOLT, M10 - 1.25 X 20MM LG	2
23	606279		HEX NUT, M10 - 1.25	2
24	606261		HEX HEAD BOLT, M8 - 1.25 X 20MM LG	2
25	602141		STARTER / GENERATOR BRACKET	1
26	602145		TENSIONER BRACKET.....	1
27	606261		HEX HEAD BOLT, M8 - 1.25 X 20MM LG	1
28	606256		HEX HEAD BOLT, M10 - 1.25 X 25MM LG	10
29	606255		HEX JAM NUT, M10 - 1.25.....	1
30	606274		HEX FLANGE NUT, M10 - 1.25.....	1
31	630587		STARTER / GENERATOR BELT	1

STARTER / GENERATOR

When ordering parts, please specify the model and serial number of the product.

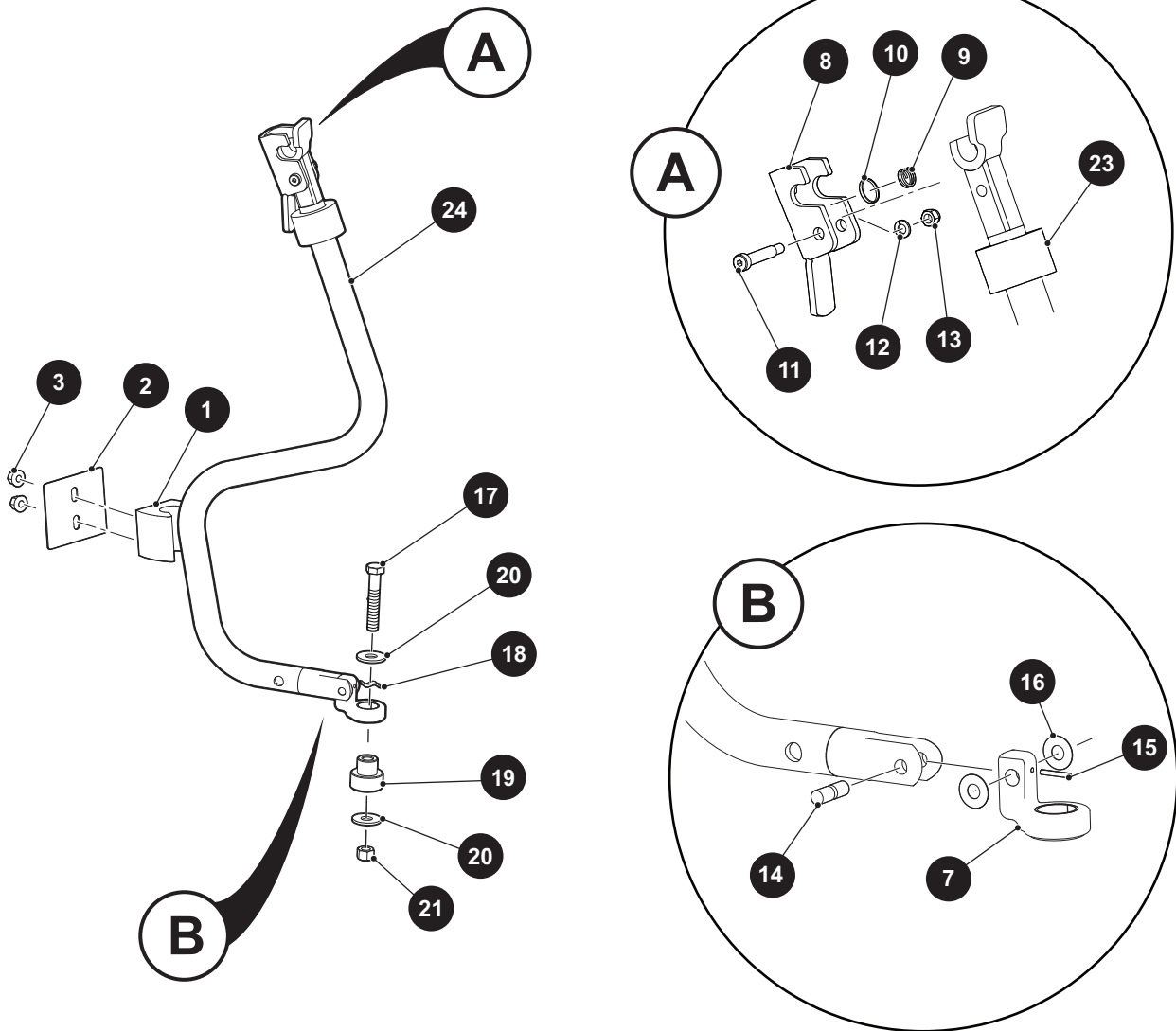
* Indicates a component that is not available as an individual part.

*** Indicates consult Customer Service Department for additional information.

ITEM	PART NO.	1 2 3 4 5	DESCRIPTION	QTY.
32	12064G6		PUSH NUT.....	1
33	629763		TENSIONER BOLT, M10 X 1.25 X 60MM LG.....	1
34	603884		CABLE GUIDE BRACKET.....	1

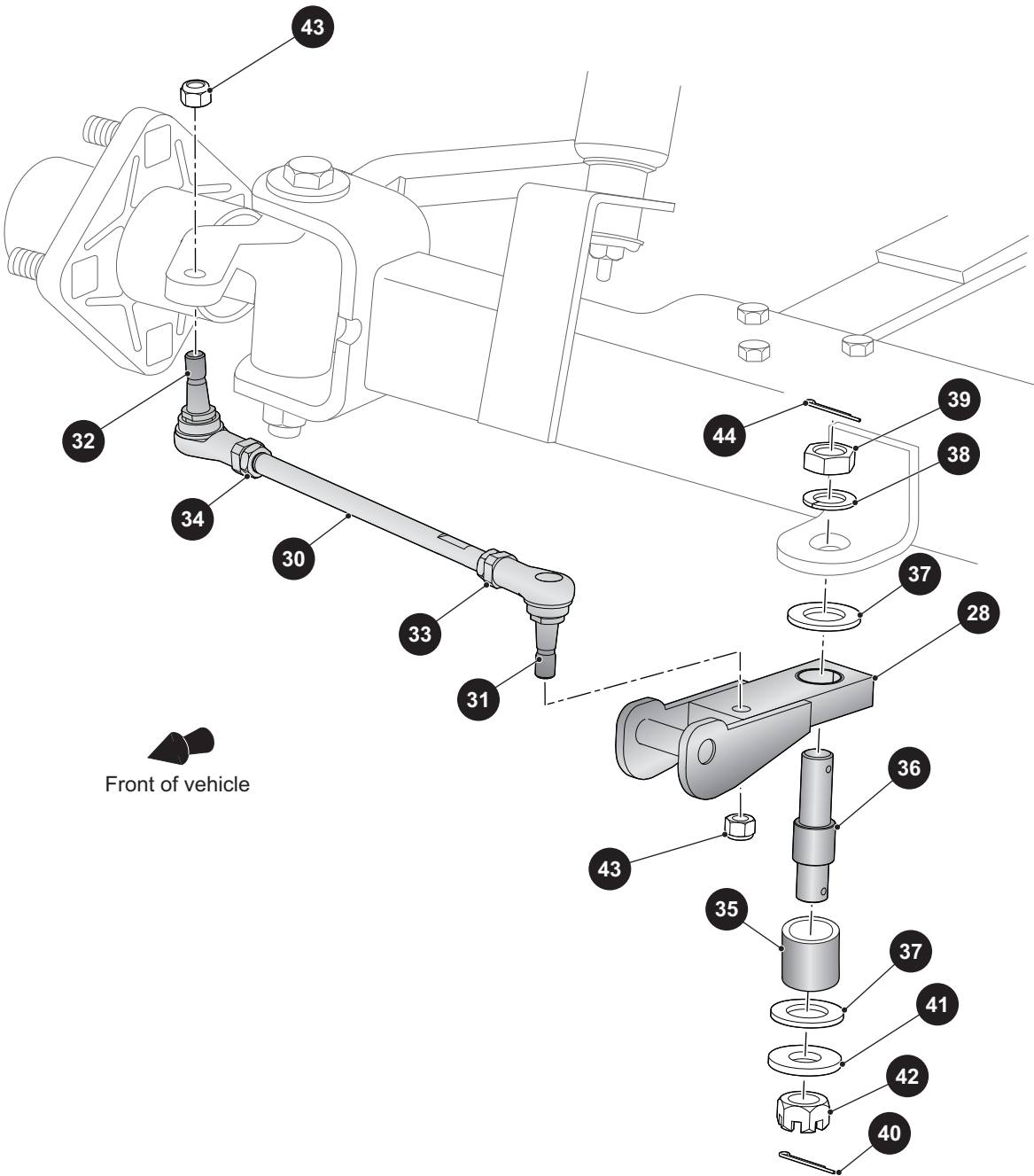
TOW BAR - PERMANENT

6 TOW BAR ASSEMBLY includes items 7 - 24



27 TOW BAR HITCH ASSEMBLY includes items 28 - 43

29 TIE ROD ASSEMBLY includes items 30 - 34



TOW BAR - PERMANENT

When ordering parts, please specify the model and serial number of the product.

* Indicates a component that is not available as an individual part.

*** Indicates consult Customer Service Department for additional information.

ITEM	PART NO.	1 2 3 4 5	DESCRIPTION	QTY.
1	603020		TOW BAR RETAINER	1
2	625816		BACKING PLATE	1
3	600525		HEX FLANGE NUT, M10 - 1.50.....	2
4				
5				
6	625813		TOW BAR ASSEMBLY (TOWING VEHICLE) (INCLUDES ITEMS 7 - 24)	1
7	625458		TOW BAR SWIVEL.....	1
8	617147		TOW BAR LATCH.....	1
9	20852G2		COMPRESSION SPRING (SS)	1
10	25661G02		CUP WASHER, 0.84" O.D X 0.20" I.D.....	1
11	13005G4		SOCKET HEAD BOLT, 5/16" - 18 X 0.406" LG.....	1
12	00565G8		LOCK WASHER, 5/16"	1
13	00520G3		ACORN NUT, 5/16" - 18.....	1
14	75360G01		PIVOT PIN	1
15	608793		SPIROL PIN, 3MM X 22MM.....	1
16	75340G01		FLAT WASHER, M10.....	2
17	00410G8		HEX HEAD BOLT, 1/2" - 20 X 3" LG	1
18	75339G01		SPRING WASHER.....	1
19	625582		TOW BAR PIVOT.....	1
20	00571G5		FLAT WASHER, 5/16".....	2
21	11098G8		LOCK NUT, 1 3/8" - 12.....	1
22	625819		WARNING DECAL (NOT ILLUSTRATED).....	1
23	75362G01		LATCH STOP	1
24	625814		TOW BAR WELDMENT	1
25				
26				
27	625812		TOW BAR HITCH ASSEMBLY (TOWED VEHICLE) (INCLUDES ITEMS 28 - 43).....	1
28	625810		TOW BAR HITCH	1
29	625811		TIE ROD ASSEMBLY (INCLUDES ITEMS 30 - 34).....	1
30	625646		TIE ROD LINK	1
31	70902G01		TIE ROD END (DRIVER SIDE)	1

TOW BAR - PERMANENT

When ordering parts, please specify the model and serial number of the product.

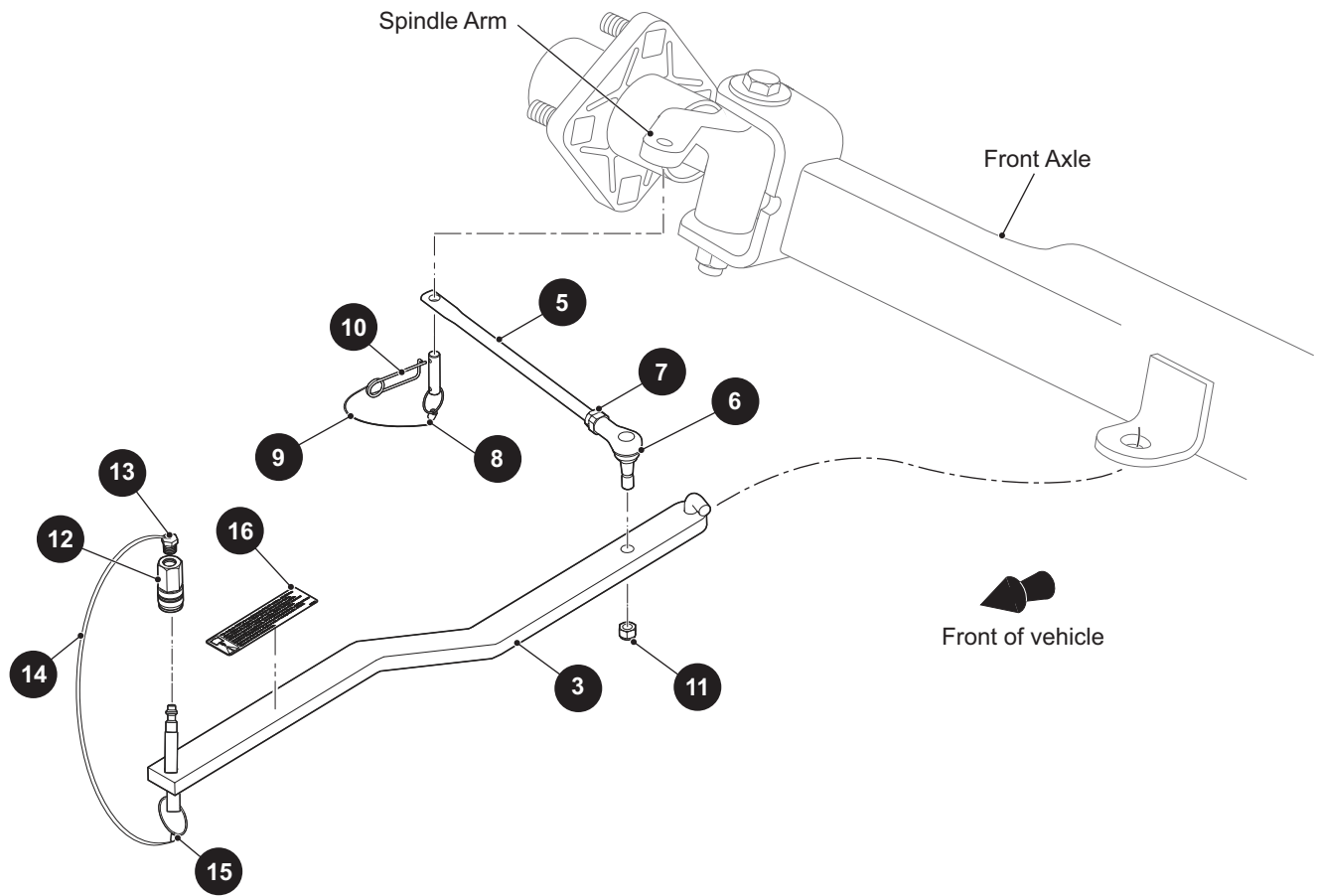
* Indicates a component that is not available as an individual part.

*** Indicates consult Customer Service Department for additional information.

ITEM	PART NO.	1 2 3 4 5	DESCRIPTION	QTY.
32	70902G02		TIE ROD END (PASSENGER SIDE)	1
33	01069G01		JAM NUT, M12 X 1.25" - 05 (DRIVER SIDE).....	1
34	01069G02		JAM NUT, M12 X 1.25" - 05 (PASSENGER SIDE)	1
35	75307G01		BEARING	1
36	75292G01		PIVOT BOLT	1
37	75309G01		THRUST BEARING	2
38	00566G6		SPRING LOCK WASHER, 3/8"	1
39	00533G8		HEX NUT, 1/2" - 13.....	1
40	10387G1		COTTER PIN, 0.125" X 1.50"	1
41	75342G01		FLAT WASHER, 1.75" O.D X 0.781" I.D	1
42	00518G8		CASTLE NUT, 3/4" - 16	1
43	00734G1		LOCK NUT, 7/16" - 14	2
44	10387G1		COTTER PIN, 0.125" X 1.50"	1

TOW BAR - CASUAL

- 1 CASUAL TOW BAR KIT includes item 2
- 2 CASUAL TOW BAR ASSEMBLY includes items 3 - 16
- 4 TIE ROD ASSEMBLY includes items 5 - 7



TOW BAR - CASUAL

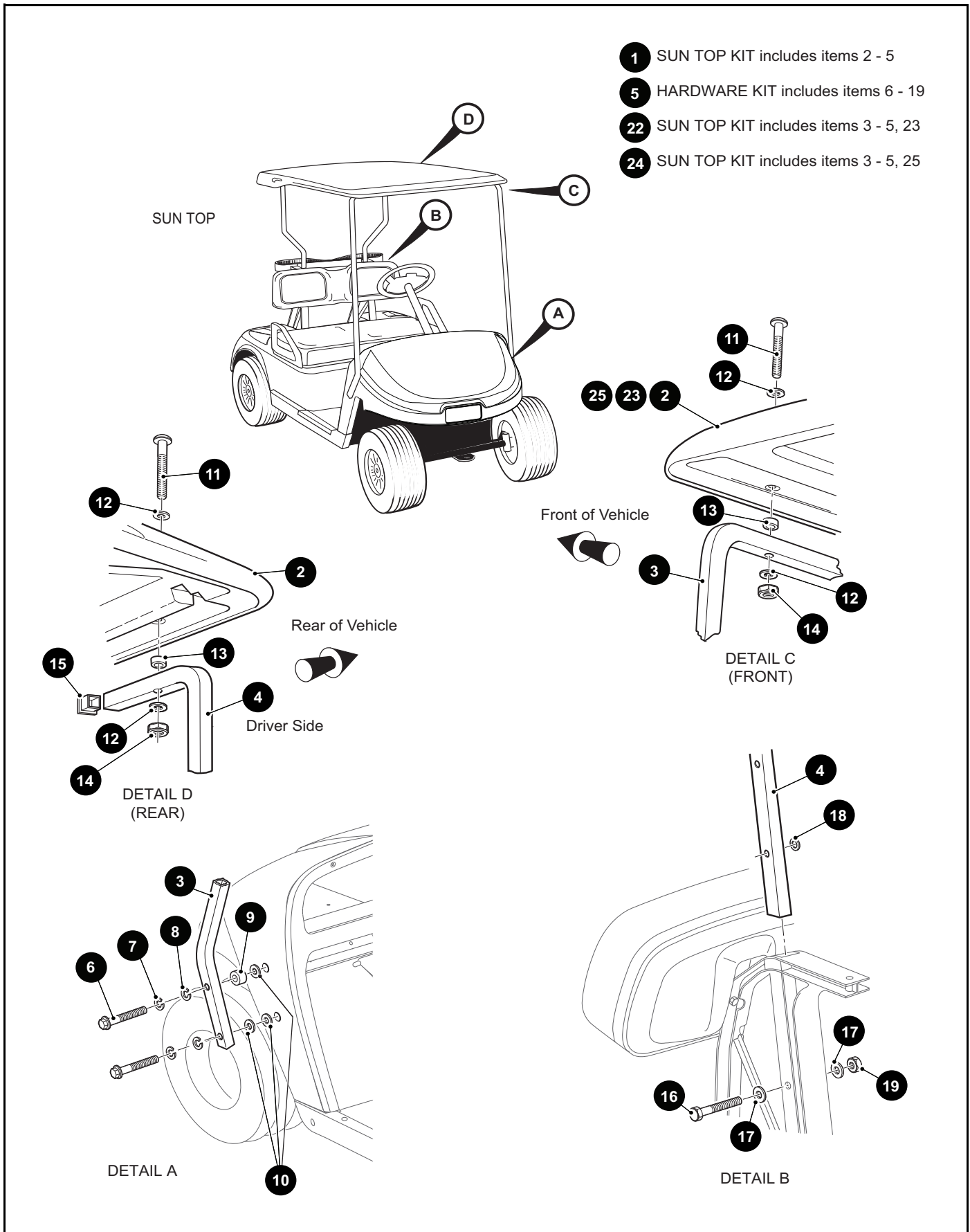
When ordering parts, please specify the model and serial number of the product.

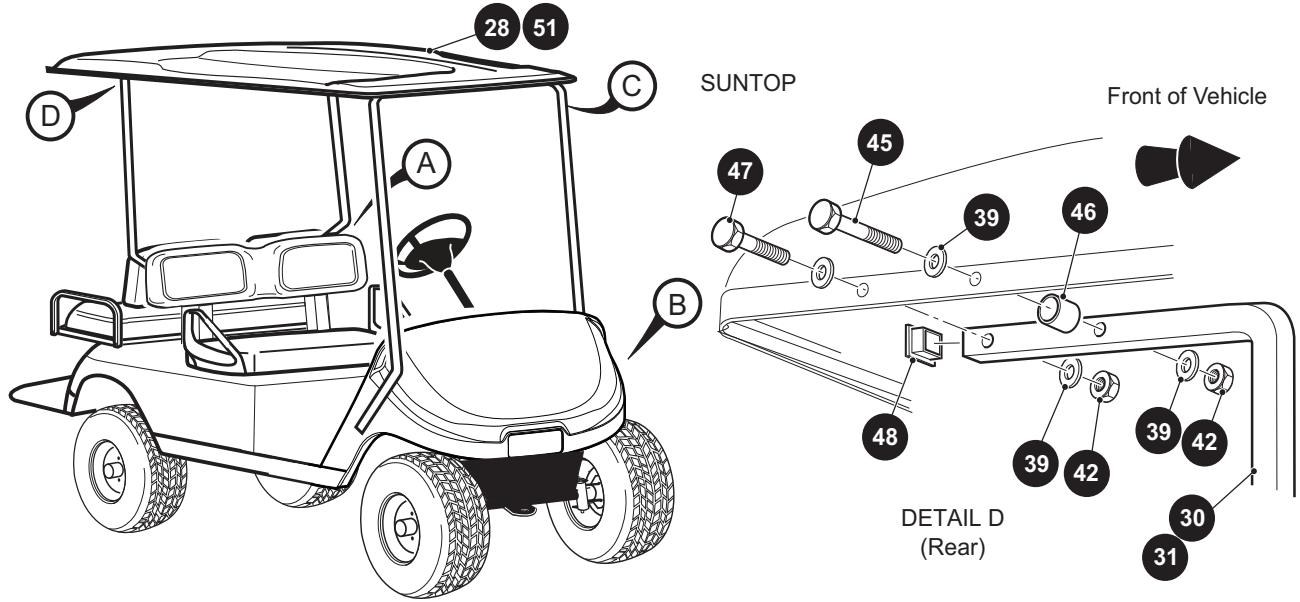
* Indicates a component that is not available as an individual part.

*** Indicates consult Customer Service Department for additional information.

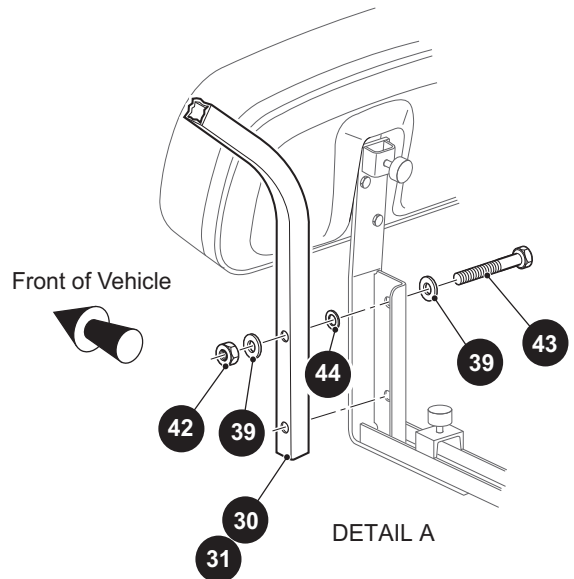
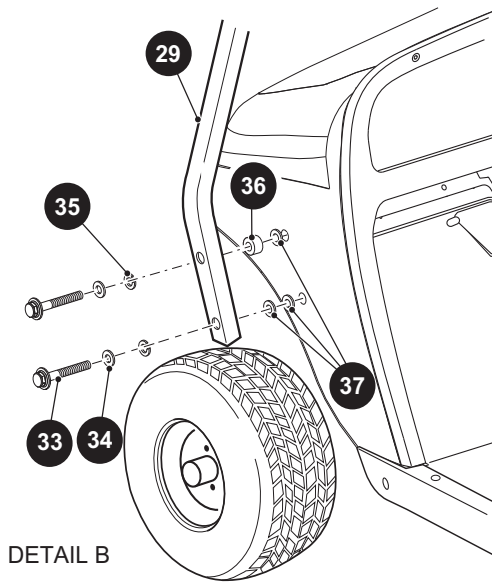
ITEM	PART NO.	1 2 3 4 5	DESCRIPTION	QTY.
1	625284		CASUAL TOW BAR KIT (INCLUDES ITEM 2)	1
2	625282		CASUAL TOW BAR ASSEMBLY (INCLUDES ITEMS 3 -16).....	1
3	625327		TOW BAR WELDMENT	1
4	625328		TIE ROD ASSEMBLY (INCLUDES ITEMS 5 - 7).....	1
5	625329		TIE ROD WELDMENT	1
6	70902G01		TIE ROD END (DRIVER SIDE)	1
7	01069G01		JAM NUT, M12 - 1.25	1
8	16783G1		FERRULE	1
9	14869G5		WIRE ROPE, 6" LG	1
10	75068G01		SAFETY PIN	1
11	00734G1		LOCK NUT, 7/16" - 14	1
12	75060G01		COUPLING	1
13	75035G02		HEX HEAD PLUG WITH HOLE, 1/4" - 18	1
14	14869G3		WIRE ROPE, 20" LG	1
15	75067G01		FERRULE	1
16	625820		WARNING DECAL	1

WEATHER PROTECTION



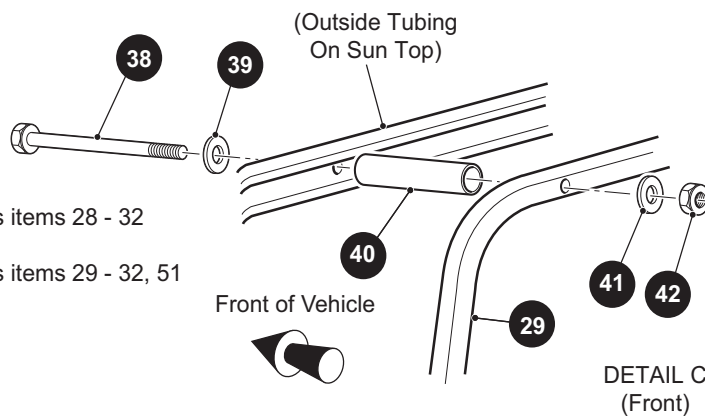


32 HARDWARE KIT includes items 33 - 48



27 SUN TOP KIT includes items 28 - 32

50 SUN TOP KIT includes items 29 - 32, 51



WEATHER PROTECTION

When ordering parts, please specify the model and serial number of the product.

* Indicates a component that is not available as an individual part.

*** Indicates consult Customer Service Department for additional information.

ITEM	PART NO.	1 2 3 4 5	DESCRIPTION	QTY.
1	625299G01		SUN TOP KIT (INCLUDES ITEMS 2 - 5)	1
2	625290		SUN TOP (TAN).....	1
3	625294		FRONT STRUT	1
4	75046G01		REAR STRUT	2
5	625296		HARDWARE KIT (INCLUDES ITEMS 6 - 19).....	1
6	*		HEX HEAD BOLT, 5/16" - 18 X 2 1/4" LG.....	4
7	*		FLAT WASHER, 5/16"	4
8	*		LOCK WASHER, 5/16"	4
9	*		SPACER, 0.328" ID X 0.75" OD X 0.5" LG.....	2
10	*		FLAT WASHER, 5/16"	6
11	*		HEX HEAD BOLT, 1/4" - 20 X 2 1/2" LG.....	4
12	*		FLAT WASHER (SS), 1/4".....	8
13	*		SPACER (PLASTIC), 0.28" ID X 0.56" OD X 0.74" LG	4
14	*		LOCK NUT (SS), 1/4" - 20.....	4
15	*		END CAP, 1" SQ.....	2
16	*		HEX HEAD BOLT (SS), 5/16" - 18 X 1 3/4" LG	4
17	*		FLAT WASHER (SS), 5/16"	8
18	*		TEFLON WASHER, 5/16"	4
19	*		LOCK NUT (SS), 5/16" - 18.....	4
20				
21				
22	625299G02		SUN TOP KIT (INCLUDES ITEMS 3 - 5, 23)	1
23	625291		SUN TOP (OYSTER).....	1
24	625299G03		SUN TOP KIT (INCLUDES ITEMS 3 - 5, 25)	1
25	625292		SUN TOP (BLACK).....	1
26				
27	634553G01		SUN TOP KIT (INCLUDES ITEMS 28 - 32)	1
28	602672		SUN TOP (TAN), 80" LG.....	1
29	634791		FRONT STRUT.....	1
30	602743		REAR STRUT (DRIVER SIDE).....	1
31	602741		REAR STRUT (PASSENGER SIDE)	1

WEATHER PROTECTION

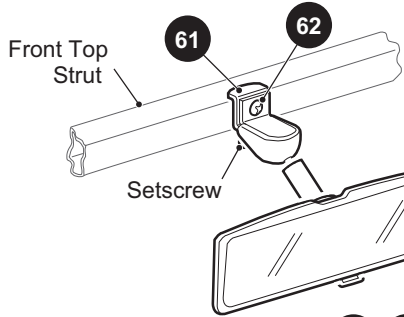
When ordering parts, please specify the model and serial number of the product.

* Indicates a component that is not available as an individual part.

*** Indicates consult Customer Service Department for additional information.

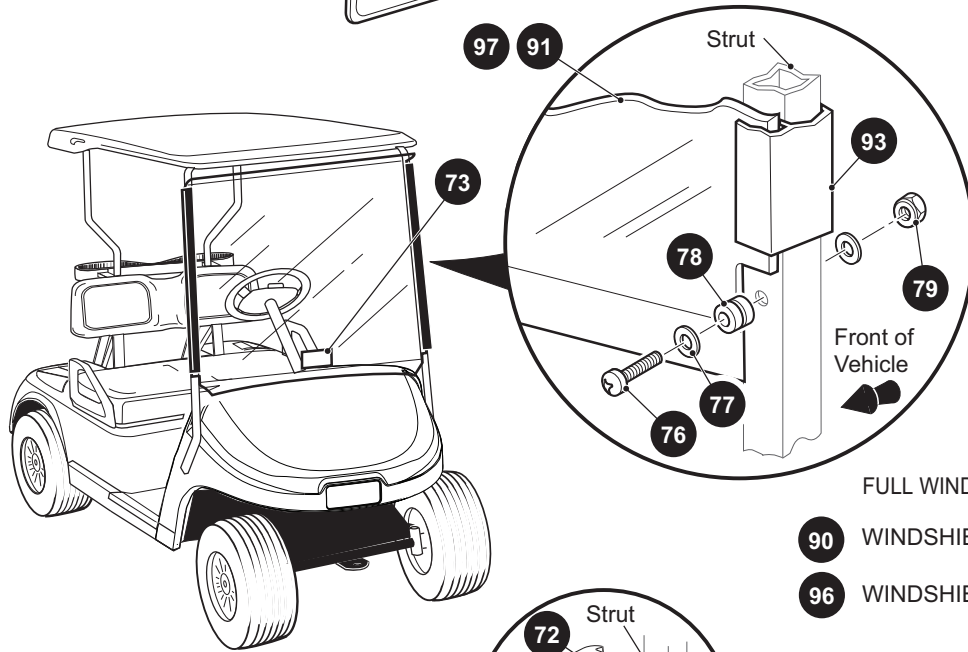
ITEM	PART NO.	1 2 3 4 5	DESCRIPTION	QTY.
32	634554		HARDWARE KIT (INCLUDES ITEMS 33 - 48)	1
33	634806		HEX HEAD BOLT, 5/16" - 18 X 2 1/4" LG	4
34	634811		FLAT WASHER, 5/16"	4
35	634810		LOCK WASHER, 5/16"	4
36	634807		SPACER, 0.328" ID X 0.75" OD X 1/2" LG	2
37	634808		FLAT WASHER, 5/16"	6
38	00674G8		HEX HEAD BOLT (SS), 3/8" - 16 X 5" LG	2
39	00679G1		FLAT WASHER (SS), 3/8"	16
40	18716G1		SPACER, 0.75" OD X 2.88" LG	2
41	00653G1		FLAT WASHER (SS), 3/8"	2
42	00891G5		LOCK NUT, 3/8" - 16	10
43	00665G5		HEX HEAD BOLT (SS), 3/8" - 16 X 1 3/4" LG	4
44	00771G5		NYLON WASHER, 3/8"	4
45	00665G3		HEX HEAD BOLT (SS), 3/8" - 16 X 2 1/2" LG	2
46	24647G1		SPACER, 0.39" ID X 0.75" OD X 0.29" LG	2
47	00665G6		HEX HEAD BOLT (SS), 3/8" - 16 X 2" LG	2
48	19853G1		END CAP, 1" SQ	2
49				
50	634553G02		SUN TOP KIT (INCLUDES ITEMS 29 - 32, 51)	1
51	27604G01		SUN TOP (WHITE), 80" LG	1
52				
53				
54				
55				
56				
57				
58				

WEATHER PROTECTION



REAR VIEW MIRROR

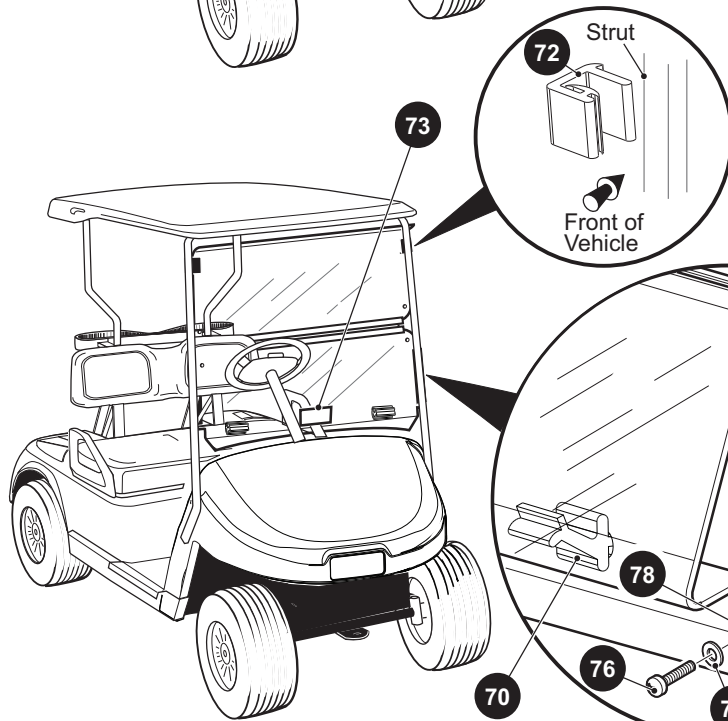
59 REAR VIEW MIRROR KIT includes items 60 - 62



FULL WINDSHIELD

90 WINDSHIELD KIT includes items 75, 91 - 93

96 WINDSHIELD KIT (2+2) includes items 75, 93, 97



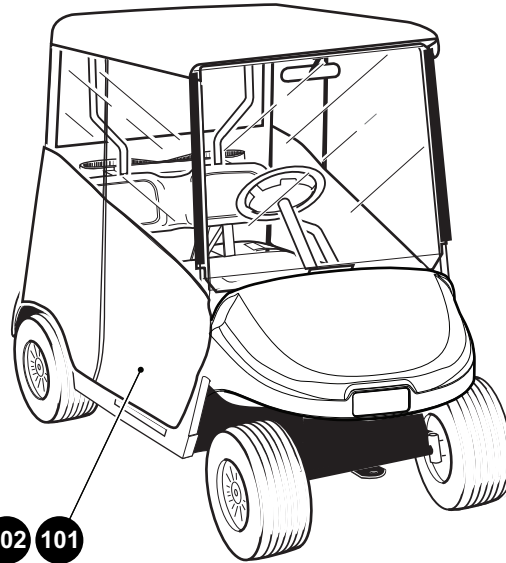
SPLIT WINDSHIELD

64 WINDSHIELD KIT, SPLIT includes items 70 - 75

82 WINDSHIELD KIT, SPLIT (2+2) includes items 70 - 75

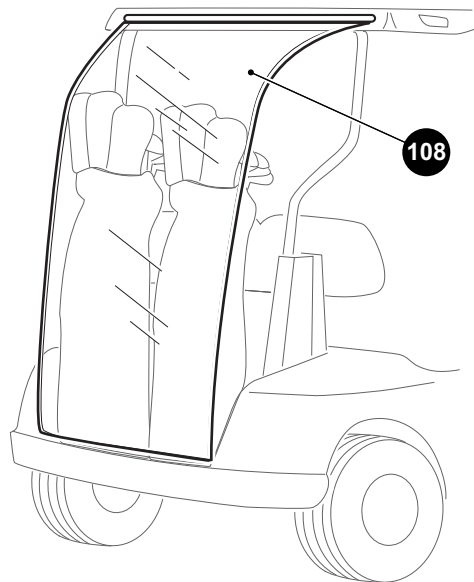
WEATHER ENCLOSURE

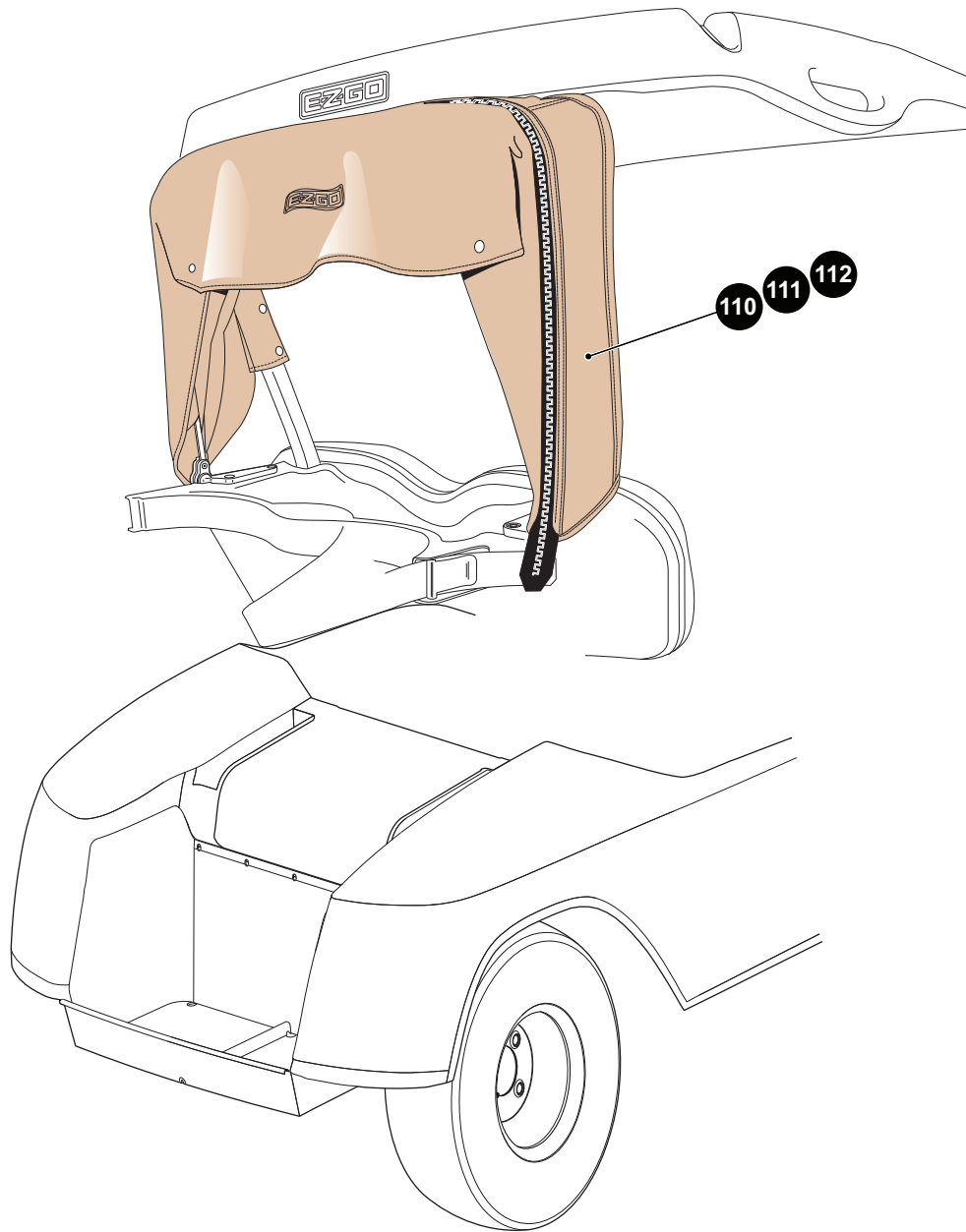
- 106
- 105
- 104
- 103
- 102
- 101



BAG AND RAIN CURTAIN

- 108





WEATHER PROTECTION

When ordering parts, please specify the model and serial number of the product.

* Indicates a component that is not available as an individual part.

*** Indicates consult Customer Service Department for additional information.

ITEM	PART NO.	1 2 3 4 5	DESCRIPTION	QTY.
59	19528G2		REAR VIEW MIRROR KIT (INCLUDES ITEMS 60 - 62)	1
60	19496G1		REAR VIEW MIRROR.....	1
61	19502G2		SUPPORT BRACKET	1
62	19527G1		SCREW (SS), #8 - 32 X 5/8" LG	1
63				
64	625279G01		WINDSHIELD KIT, SPLIT (INCLUDES ITEMS 70 - 75).....	1
65				
66				
67				
68				
69				
70	603201		LOWER LATCH.....	2
71	604115		GROMMET	4
72	625230		UPPER LATCH.....	2
73	71963G01		WARNING DECAL	1
74	625228		SASH, 10" LG.....	2
75	625271		HARDWARE KIT (INCLUDES ITEMS 76 - 79)	1
76	00753G5		PHILLIPS TRUSS HEAD MACHINE SCREW, 1/4" - 20 X 2" LG	2
77	01110G01		FLAT WASHER (SS), 1/4"	4
78	625278		RUBBER GROMMET	2
79	00654G2		LOCK NUT (SS), 1/4" - 20	2
80				
81				
82	625279G02		WINDSHIELD KIT, SPLIT (2+2) (INCLUDES ITEMS 70 - 75)	1
83				
84				
85				
86				
87				
88				
89				

WEATHER PROTECTION

When ordering parts, please specify the model and serial number of the product.

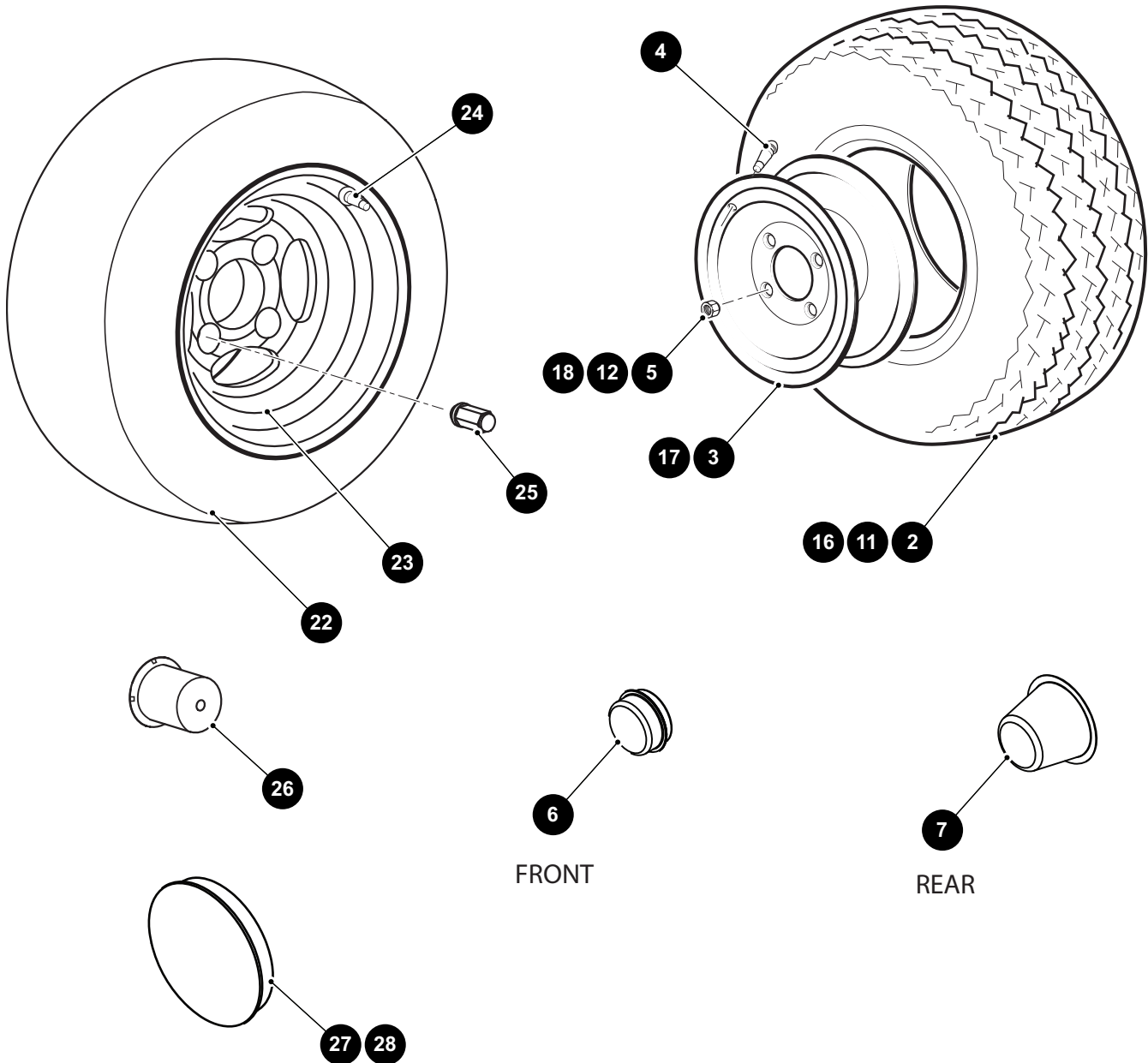
* Indicates a component that is not available as an individual part.

*** Indicates consult Customer Service Department for additional information.

ITEM	PART NO.	1	2	3	4	5	DESCRIPTION	QTY.
90	625279G03						WINDSHIELD KIT, FULL (INCLUDES ITEMS 75, 91 - 93)	1
91	625277						WINDSHIELD ASSEMBLY, FULL (INCLUDES ITEMS 73, 92)	1
92	625276						WINDSHIELD FULL	1
93	625227						SASH, 26" LG	2
94								
95								
96	625279G04						WINDSHIELD KIT, FULL (2+2) (INCLUDES ITEMS 75, 93, 97)	1
97	634285						WINDSHIELD ASSEMBLY, FULL (2+2) (INCLUDES ITEMS 73, 98)	1
98	634234						WINDSHIELD, FULL (2+2).....	1
99								
100								
101	634541						WEATHER ENCLOSURE (3 SIDED) (TAN) RECOMMENDED FOR VEHICLES WITH WINDSHIELDS	1
102	634542						WEATHER ENCLOSURE (3 SIDED) (OYSTER) RECOMMENDED FOR VEHICLES WITH WINDSHIELDS	1
103	634543						WEATHER ENCLOSURE (3 SIDED) (HUNTER GREEN) RECOMMENDED FOR VEHICLES WITH WINDSHIELDS	1
104	634544						WEATHER ENCLOSURE (4 SIDED) (TAN) RECOMMENDED FOR VEHICLES WITHOUT WINDSHIELDS	1
105	634545						WEATHER ENCLOSURE (4 SIDED) (OYSTER) RECOMMENDED FOR VEHICLES WITHOUT WINDSHIELDS	1
106	634546						WEATHER ENCLOSURE (4 SIDED) (HUNTER GREEN) RECOMMENDED FOR VEHICLES WITHOUT WINDSHIELDS	1
107								
108	75191G01						BAG COVER AND RAIN CURTAIN KIT	1
109								
110	625581						BAG COVER KIT (OYSTER)	1
111	625583						BAG COVER KIT (TAN)	1
112	625585						BAG COVER KIT (GREEN)	1

WHEELS AND TIRES

- 1** WHEEL AND TIRE ASSEMBLY, LINKS includes items 2 - 4
- 10** WHEEL AND TIRE ASSEMBLY, SURE TRAIL includes items 3 - 4, 11
- 15** WHEEL AND TIRE ASSEMBLY, HOLE - N - ONE includes items 4, 16 - 17
- 21** ALLOY WHEEL AND TIRE ASSEMBLY includes items 22 - 24 (FREEDOM ONLY)



WHEELS AND TIRES

When ordering parts, please specify the model and serial number of the product.

* Indicates a component that is not available as an individual part.

*** Indicates consult Customer Service Department for additional information.

ITEM	PART NO.	1 2 3 4 5	DESCRIPTION	QTY.
1	28757G01		WHEEL AND TIRE ASSEMBLY, LINKS 18 X 8.5 - 8 (INCLUDES ITEMS 2 - 4).....	4
2	28764G01		TIRE, CARLISLE LINKS.....	1
3	28759G01		WHEEL RIM (4 LUG)	1
4	11657G2		VALVE STEM.....	1
5	14723G1		LUG NUT, 1/2" - 20	16
6	12091G2		SPINDLE CAP	2
7	74175G01		MOLDED DUST CAP.....	2
8				
9				
10	28842G01		WHEEL AND TIRE ASSEMBLY, SURE TRAIL 18.5 X 8.5 - 8 (INCLUDES ITEMS 3 - 4, 11).....	2
11	28764G06		TIRE, USA TRAIL.....	1
12	14723G1		LUG NUT, 1/2" - 20	8
13				
14				
15	612772		WHEEL AND TIRE ASSEMBLY, HOLE - N - ONE 18 X 8.5 - 8 (INCLUDES ITEMS 4, 16 - 17).....	2
16	612771		KENDA TIRE, HOLE - N - ONE	1
17	612770		WHEEL, MONITOR 8".....	1
18	14723G1		LUG NUT, 1/2" - 20	8
19				
20				
21	600599		ALLOY WHEEL AND TIRE ASSEMBLY (INCLUDES ITEMS 22 - 24) (FREEDOM ONLY)	4
22	601768		TIRE, TOUR MAX, 205 / 50 - 10	1
23	601766		ALLOY WHEEL	1
24	601767		VALVE STEM.....	1
25	605310		ALLOY WHEEL LUG NUT, 1/2" - 20.....	16
26	601353		ALLOY WHEEL CAP	4
27	615617		HUBCAP (GOLD).....	4
28	615618		HUBCAP (SILVER)	4



A Textron Company

E-Z-GO Division of Textron Inc.,
1451 Marvin Griffin Road, Augusta, Georgia 30906 - 3852 USA

TO CONTACT US...

North America:

Technical Assistance & Warranty

Phone: 1-800-774-3946, FAX: 1-800-448-8124

Service Parts

Phone: 1-888-GET-E-Z-GO (1-888-438-3946), FAX: 1-800-752-6175

International:

Phone: 001-706-798-4311, FAX: 001-706-771-4609

Service Parts Manuals, as well as Repair and Service Manuals
are available from a local Distributor, an authorized Branch,
Genuine E-Z-GO Parts & Accessories Department or at www.shopezgo.com.

Copyrighted Material
This manual may not be reproduced in whole or
in part without the express permission of
E-Z-GO Division of Textron Inc.
Technical Communications Department