

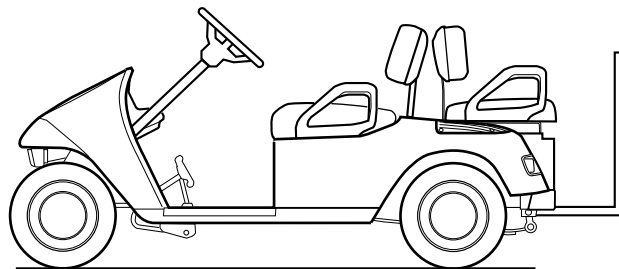
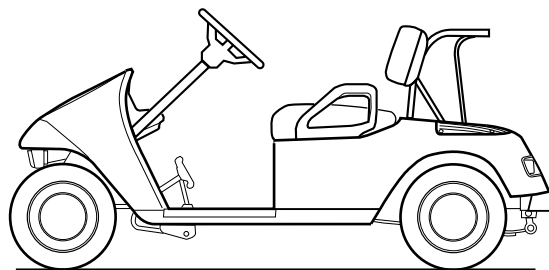


A Textron Company

SERVICE PARTS MANUAL

TXT 48V

ELECTRIC POWERED GOLF CAR



614278

ISSUED JANUARY 2010 REVISED JULY 2013

SERVICE PARTS MANUAL

**ELECTRIC POWERED
48V GOLF CARS**

**FLEET 48V GOLF CARS
FREEDOM 48V VEHICLE
SHUTTLE 2+2 48V VEHICLE**

STARTING MODEL YEAR 2010

E-Z-GO Division of TEXTRON Inc. reserves the right to incorporate engineering and design changes to products in this Manual, without obligation to include these changes on units leased/sold previously.

The information contained in this Manual may be revised periodically by the E-Z-GO Division, and therefore is subject to change without notice.

The E-Z-GO Division **DISCLAIMS LIABILITY FOR ERRORS IN THIS MANUAL**, and the E-Z-GO Division **SPECIFICALLY DISCLAIMS LIABILITY FOR INCIDENTAL AND CONSEQUENTIAL DAMAGES** resulting from the use of the information and materials in this Manual.

TO CONTACT US

NORTH AMERICA:

TECHNICAL ASSISTANCE & WARRANTY PHONE: 1-800-774-3946, FAX: 1-800-448-8124

SERVICE PARTS PHONE: 1-888-GET-EZGO (1-888-438-3946), FAX: 1-800-752-6175

INTERNATIONAL: PHONE: 001-706-798-4311, FAX: 001-706-771-4609

E-Z-GO DIVISION OF TEXTRON INC., 1451 MARVIN GRIFFIN ROAD, AUGUSTA, GEORGIA USA 30906-3852

GENERAL INFORMATION

This vehicle has been designed and manufactured in the United States of America (USA) as a 'World Vehicle'. The Standards and Specifications listed in the following text originate in the USA unless otherwise indicated.

The use of non Original Equipment Manufacturer (OEM) approved parts may void the warranty.

Tampering with or adjusting the governor to permit vehicle to operate at above factory specifications will void the vehicle warranty.

When servicing engines, all adjustments and replacement components must be per original vehicle specifications in order to maintain the United States of America Federal and State emission certification applicable at the time of manufacture.

BATTERY PROLONGED STORAGE

All batteries will self discharge over time. The rate of self discharge varies depending on the ambient temperature and the age and condition of the batteries.

A fully charged battery will not freeze in winter temperatures unless the temperature falls below -75° F (-60° C).

TABLE OF CONTENTS

SECTION	Page No.
HOW TO USE THE SERVICE PARTS MANUAL	Vii
ACCELERATOR PEDAL ASSEMBLY	A-1
• Accelerator Pedal Pad	
• Accelerator Pedal Assembly	
• Switches	
BATTERY CHARGER	B-1
• Charger	
• Charger Cords	
• Cover	
• Handle	
BODY -	C-1
• Front Bumper	
• Front Splash Shield	
• Cowl	
• Nameplate	
• Instrument Panel	
• Instrument Panel Trim	
• Cup Holder	
BODY -	C-5
• Access Cover	
• Floorboard	
• Floormat	
• Seat Support	
BODY -	C-7
• Rear Body	
• Rear Splash Shields	
• Rocker Panels	
• Bagwell Liner	
• Access Panel	
• Scuff Guards	
• Rear Bumper	
BODY -	C-11
• Rear Foot Rest	
• Rear Handhold	
• Two Bag Attachment	
BODY -	C-13
• Side Baskets	
• Sand Bottle	
• Cooler	
• Divot Repair	
BODY -	C-15
• Message Holder	
• Cooler Jug and Bracket	
• Rake Holder	
BODY -	C-17
• Four Bag Attachment	
• Ash Tray	

TABLE OF CONTENTS

SECTION	Page No.
BODY -	C-19
• Sandmug	
BRAKES - MECHANICAL	D-1
• Brake Pedal Pad	
• Brake Pedal Assembly	
• Brake Pedal Return Spring	
• Switches	
ELECTRICAL	F-1
• Batteries	
• Battery Tray	
• Battery Hold Down	
• Battery Strap	
• Horn Assembly	
• Horn Button	
• State of Charge Meter	
• Headlights	
• Tail Lights	
• Turn Signal Switch	
• Headlight Switch	
ELECTRONIC SPEED CONTROL	G-1
• Controller Assembly	
• Resistor Assembly	
• Resistor Mounting Bracket	
• Sensor	
FRONT SUSPENSION & STEERING	H-1
• Steering Rack Assembly	
• Steering Column	
• Steering Wheel	
• Score Card Holder	
MOTOR	J-1
REAR AXLE	K-1
• Axle Assembly	
• Rear Hub	
• Wheel Bolt	
• Axle Shaft	
REAR SUSPENSION	L-1
• Shocks	
• Leaf Spring	
• Shackles	
• Bushings	
SEATING	M-1
• Front Seat Bottom	
• Front Seat Back	
• Hip Restraints	
• Seat Back Support	
• Sweater Basket	
• Bag Strap	
• Bag Strap Clamp	

TABLE OF CONTENTS

SECTION	Page No.
TOW BAR - PERMANENT	N-1
• Tow Bar	
• Latch	
• Retainer	
TOW BAR - CASUAL	N-5
• Steering Link	
• Front Casting	
• Spacer	
• Rod Ends	
WEATHER PROTECTION - GOLF CAR	P-1
• Sun Top	
• Top Struts	
• Windshield	
WHEELS AND TIRES	Q-1
• Tires	
• Wheels	
• Lug Nuts	
• Dust Cap	
• Wheel Cover	
SPECIALTY PRODUCTS	Appendix A
OPTIONS AND ACCESSORIES	Appendix B

NOTES

A large grid of graph paper for taking notes, consisting of 20 columns and 30 rows of small squares.

HOW TO USE THE SERVICE PARTS MANUAL

This manual is divided into several sections:

- GENERAL INFORMATION
- ILLUSTRATED PARTS BREAKDOWN
- APPENDIX

The first section, GENERAL INFORMATION, contains the following information:

- WARRANTY INFORMATION
- GENERAL INDEX
- HOW TO USE THE SERVICE PARTS MANUAL

The second section, ILLUSTRATED PARTS BREAKDOWN, contains illustrations and parts lists for all systems of your vehicle.

The third section, APPENDIX, contains a listing of specialty products and accessories.

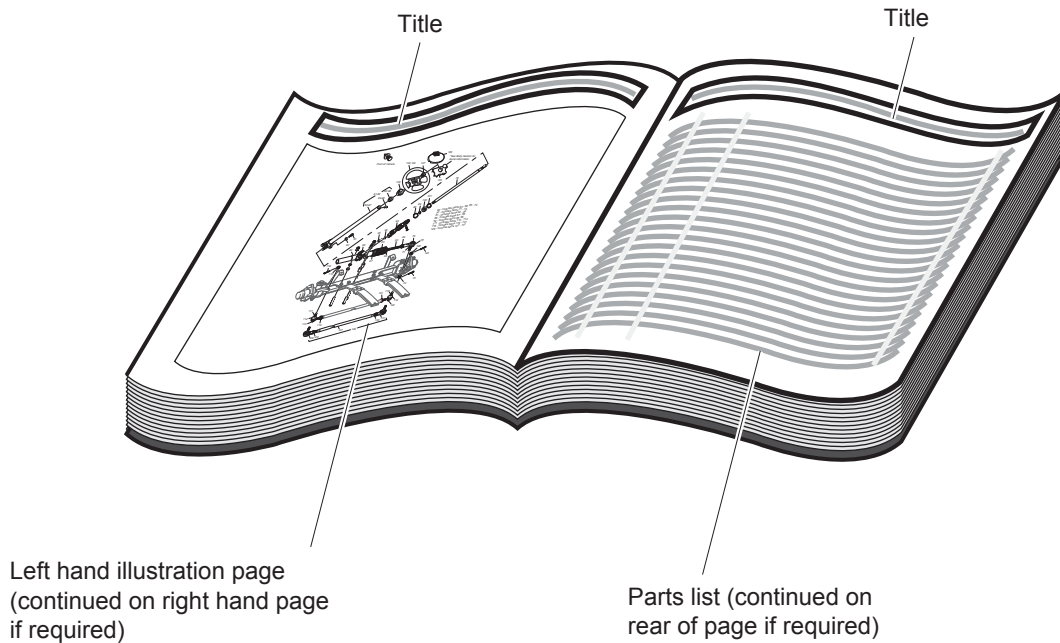
USE OF THE MANUAL

To use this manual, consult the GENERAL INDEX to locate the information or illustration required.

Introduction of some revisions varies due to supply of components; therefore, it is possible that various combinations of components may be found that are not directly reflected by each illustration. Consult the illustration that best suits your situation and then contact the Service Parts Department. It is important that the serial number of your vehicle and its model number be supplied to Service Parts when ordering any replacement components.

Locate the serial number plate (see BODY located in the Illustrated Parts Breakdown section of this manual for its location) and note the complete number shown on the plate.

HOW TO USE THE SERVICE PARTS MANUAL



1. WHEN THE PART NUMBER IS NOT KNOWN

- Determine the function and application of the part required. Turn to the General Index and select the most appropriate title.
- Turn to the page number indicated and locate the desired part on the illustration.
- From the illustration, obtain the item number assigned to the desired part. Refer to the accompanying description for specific information regarding the part.

2. IF YOU KNOW THE PART NUMBER

- Locate the part number or description in the appropriate column on the parts list page.

NOTE: It is suggested that you confirm that the part selected is correct by verifying it with the pictorial representation on the illustrated page.

Should an asterisk (*) appear in the part number column on the parts list page, read upwards until a part number is found. The part number is the lowest assembly sold by Service Parts and the asterisk (*) indicates that the part depicted is not available for purchase.

NOTE: Descriptions are indented under the assembly that they are used on. That assembly is, in turn listed under the assembly that it is used on. This process is repeated until the highest final assembly is reached.

To facilitate the maintenance and repair of the vehicle, a Technician's Repair and Service Manual is available from the Service Parts Department.

HOW TO USE THE SERVICE PARTS MANUAL

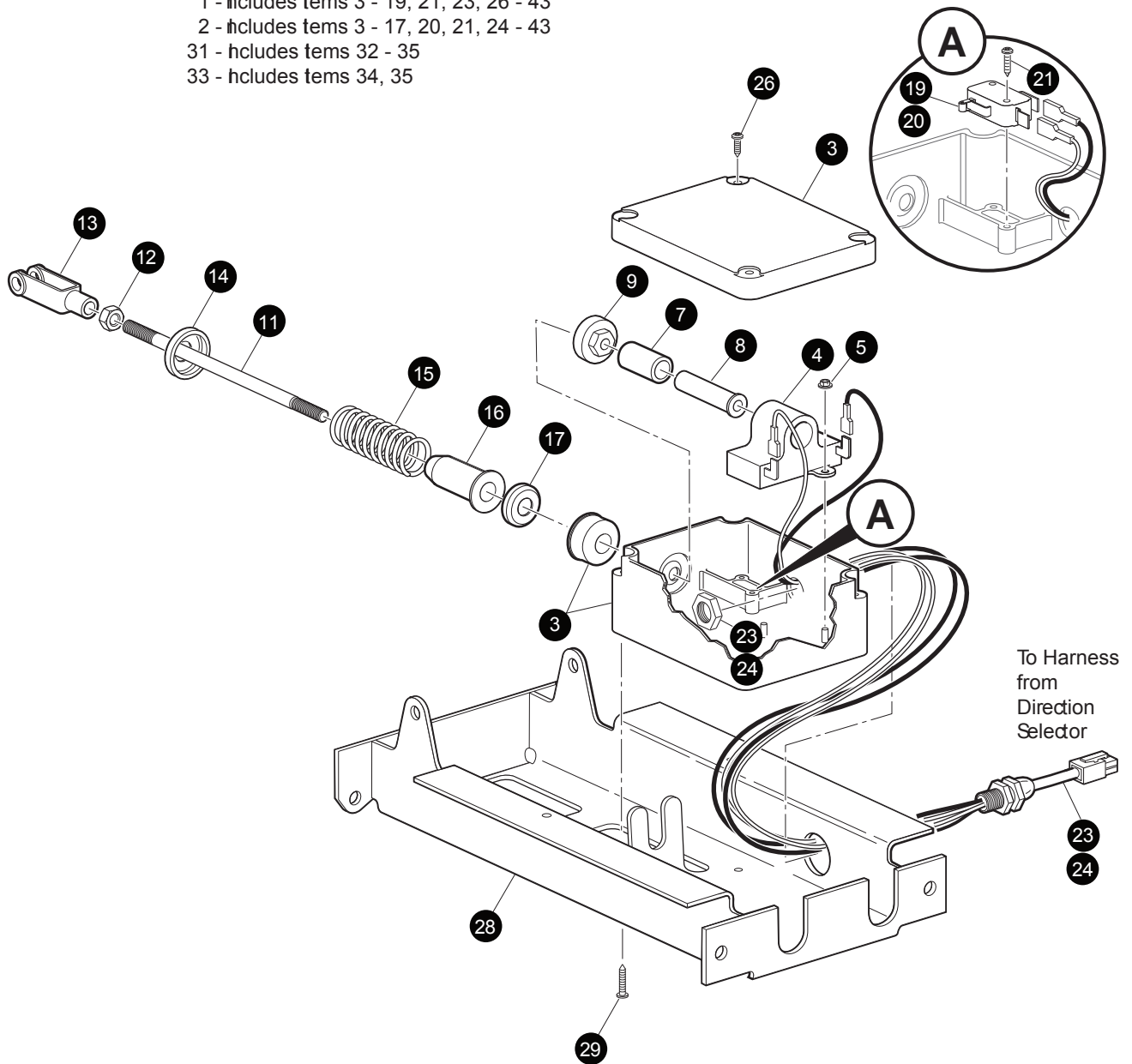
3. COLOR CODE FOR BODY COMPONENTS

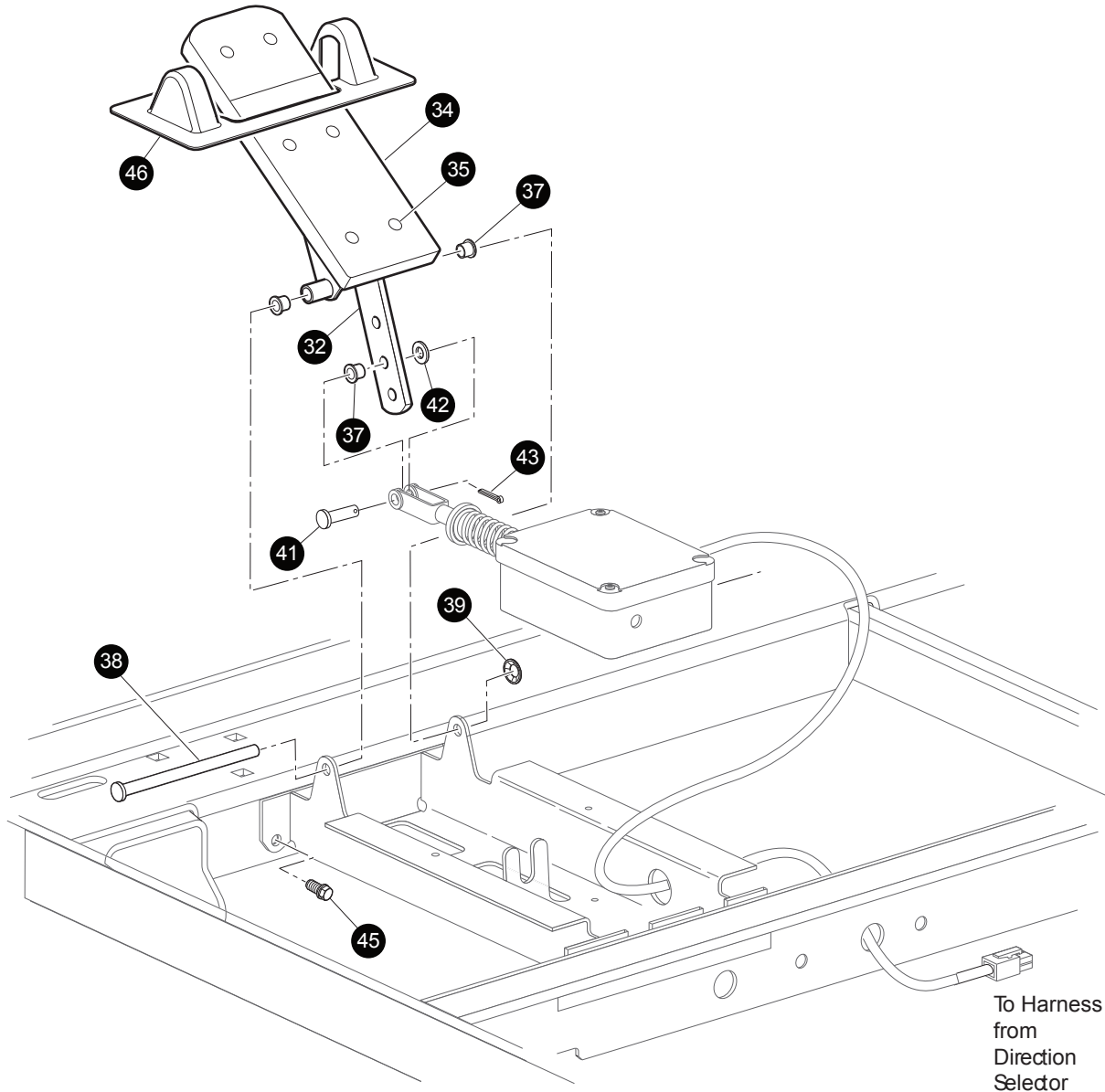
The last two digits of the part number for the body part will denote the color code, locate the part number for the cowl, rear body, seat pod, side panel or seat wrap then locate your color in the list below, replace the last ** or XX with the two digit color code.

<u>CODE #</u>	<u>DESCRIPTION</u>	<u>CODE #</u>	<u>DESCRIPTION</u>
01	NO PAINT	53	MOSSY OAK NEW BREAK UP - DIPPED
02	SPECIAL COLOR	54	MOSSY OAK OBSESSION - DIPPED
05	JACOBSEN ORANGE	55	REALTREE ADVANTAGE MAX 4 - DIPPED
06	LIGHT GOLD PEARL	56	REALTREE HARDWOOD BROWN - DIPPED
07	SILVER PEARL METALLIC	57	REALTREE AP HOT PINK - DIPPED
11	BLACK	58	BLACK / SILVER MARBLE - DIPPED
12	EMERALD GREEN PEARL	59	RED / SILVER MARBLE - DIPPED
13	CLOUD GREY	60	HOT PINK / SILVER MARBLE - DIPPED
14	VIPER BLUE METALLIC	61	REALTREE AP
19	PATRIOT BLUE PEARL	62	REALTREE MAX 4
20	INFERNO RED METALLIC	63	MOSSY OAK BREAKUP
23	ADVANTAGE CLASSIC CAMO	64	MOSSY OAK TREESTAND
24	NATURAL	65	REALTREE APG
25	VIVID NEW HOLLAND BLUE	66	REALTREE MAX 1
26	STEEL BLUE PEARL	67	REALTREE AP PINK
27	BRIGHT SILVER METALLIC	68	REALTREE AP - DIPPED
29	PRIMER ONLY	69	MONSTER GREEN
30	HD ADVANTAGE CAMO	70	REAL TREE ADVANTAGE MAX1 AP
31	METALLIC CHARCOAL	71	REAR TREE AP SNOW DIPPED
32	LIGHT ALMOND PEARL	72	MATTE BLACK
33	TIMBERLINE GREEN	73	MATTE GREEN
34	DEEP MOLTEN RED	74	BARLEY GOLD
35	SAFETY YELLOW	75	OASIS GREEN
36	IVORY	76	JAVA BROWN
37	FOREST GREEN	77	SEMI GLOSS BLACK (FOR METAL PARTS)
38	BRIGHT WHITE		
39	FLAME RED		
40	BLACK		
41	ELECTRIC BLUE		
42	PLATINUM		
43	BURGUNDY		
44	ALMOND		
45	BLACK		
46	FLAME RED		
47	BURLINGTON GREEN		
48	BLACK		
49	FLAME RED		
50	RECON GREEN		
51	SUNBURST ORANGE		
52	BRITISH RACING GREEN		

ACCELERATOR

- 1 - includes items 3 - 19, 21, 23, 26 - 43
- 2 - includes items 3 - 17, 20, 21, 24 - 43
- 31 - includes items 32 - 35
- 33 - includes items 34, 35





ACCELERATOR

Where applicable, THE USE OF NON UL PARTS WILL VOID ANY UL LISTING.

When ordering parts, please specify the model and serial number of the product.

* Indicates a component that is not available as an individual part.

G** Indicates consult Customer Service Department for additional information.

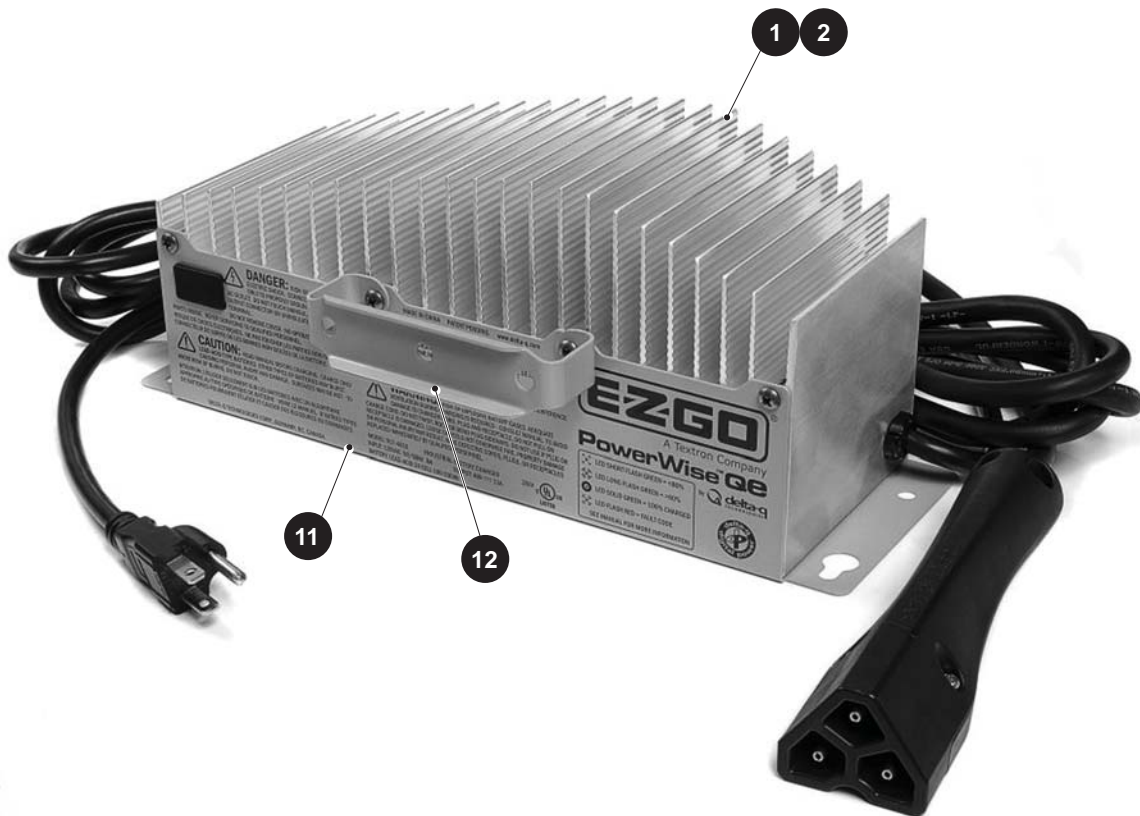
ITEM	PART NO.	1 2 3 4 5	DESCRIPTION	QTY.
1	73333G09		PEDAL BOX ASSEMBLY (INCLUDES ITEMS 3 - 19, 21, 23, 26 - 43).....	1
2	73333G10		PEDAL BOX ASSEMBLY, PDS MODEL ONLY (INCLUDES ITEMS 3 - 17, 20, 21, 24 - 43)	1
3	25853G01		PEDAL BOX AND COVER (SEAL AND BEARING).....	1
4	25854G01		INDUCTIVE THROTTLE SENSOR	1
5	00983G01		SELF THREADING NUT, 3/16"	2
6				
7	25857G01		PLUNGER SLEEVE.....	1
8	28443G01		PLUNGER.....	1
9	28444G01		PLUNGER CAM.....	1
10				
11	73332G01		ACCELERATOR ROD	1
12	00532G4		NUT, 5/16 - 24.....	1
13	10385G4		CLEVIS YOKE (ADJUSTABLE).....	1
14	17677G2		SPRING RETAINER, 3/8"	1
15	73046G01		COMPRESSION SPRING	1
16	17979G1		ACCELERATOR ROD BUSHING	1
17	17677G1		SPRING RETAINER, 1/2"	1
18				
19	25861G01		MICRO SWITCH.....	1
20	25861G02		MICRO SWITCH (PDS MODEL ONLY).....	1
21	01050G01		SCREW-PLASTITE, #4 - 20 X 5/8" LG.....	2
22				
23	25879G03		WIRING HARNESS (PEDAL BOX ASSEMBLY)	1
24	25879G05		WIRING HARNESS (PEDAL BOX ASSEMBLY) (PDS MODEL ONLY)	1
25				
26	00684G6		SCREW, #8 - 32 X 3/4" LG (STAINLESS STEEL).....	2
27				
28	70116G02		ACCELERATOR PEDAL BRACKET.....	1
29	01051G01		SCREW, #8 - 16 X 1/2" LG	4

Where applicable, THE USE OF NON UL PARTS WILL VOID ANY UL LISTING.
 When ordering parts, please specify the model and serial number of the product.
 * Indicates a component that is not available as an individual part.
 G** Indicates consult Customer Service Department for additional information.

ITEM	PART NO.	1	2	3	4	5	DESCRIPTION	QTY.
30								
31	25799G03						ACCELERATOR PEDAL ASSEMBLY (INCLUDES ITEMS 32 - 35).....	1
32	*						ACCELERATOR PEDAL	1
33	27844G01						ACCELERATOR PEDAL PAD KIT (INCLUDES ITEMS 34, 35).....	1
34	27512G01						ACCELERATOR PEDAL PAD	1
35	15766G1						OVAL RIVET 3/16" X 7/16" LG	6
36								
37	17838G1						NYLON BUSHING	3
38	74432G01						PEDAL PIVOT PIN	1
39	12064G6						PUSHNUT, 9/32" I.D.	1
40								
41	10386G3						CLEVIS PIN, 5/16" X 13/16" LG	1
42	17255G1						TEFLON WASHER, 5/16"	1
43	10387G3						COTTER PIN, 3/32" X 3/4" LG	1
44								
45	00715G2						BOLT, 5/16 - 18 X 4/5" LG	4
46	70135G01						PEDAL PIVOT COVER	1

BATTERY CHARGER

- 1 48V Battery Charger with 3 meter Cord includes items 11 & 12
- 2 48V Battery Charger with 5.5 meter Cord includes items 11 & 12



BATTERY CHARGER

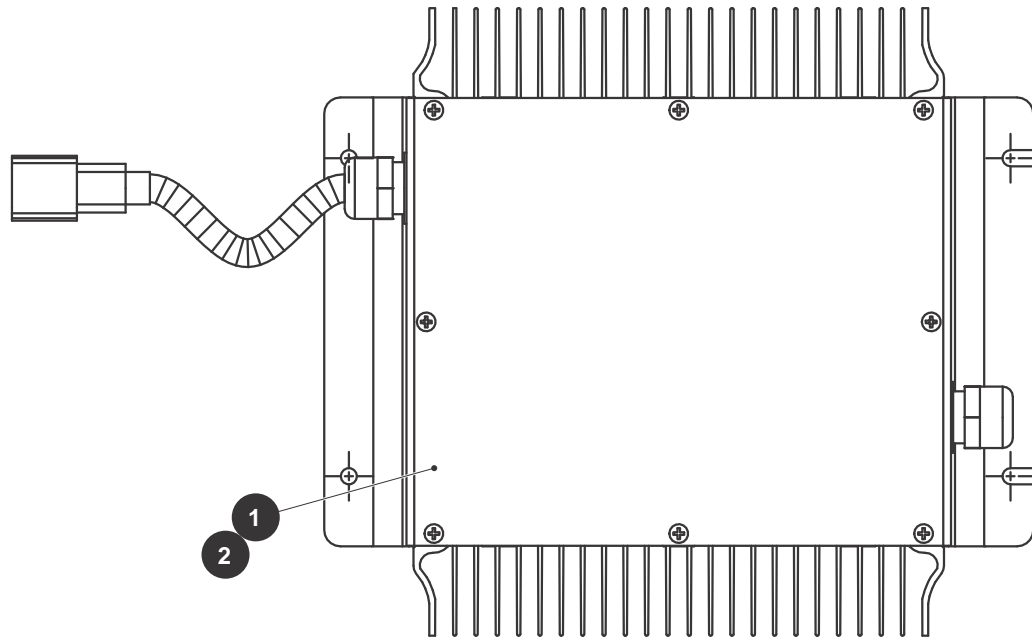
When ordering parts, please specify the model and serial number of the product.

* Indicates a component that is not available as an individual part.

*** Indicates consult Customer Service Department for additional information.

ITEM	PART NO.	1 2 3 4 5	DESCRIPTION	QTY.
1	622418		48V BATTERY CHARGER , 3 meter CORD (INCLUDES ITEMS 11 & 12).....	1
2	622417		48V BATTERY CHARGER, 5.5 meter CORD (INCLUDES ITEMS 11 & 12)...	1
3				
4				
5				
6				
7				
8				
9				
10				
11	611220		48V CHARGER COVER KIT (INCLUDES ITEM 12).....	1
12	611216		CHARGER HANDLE.....	1
13				

BATTERY CHARGER



BATTERY CHARGER

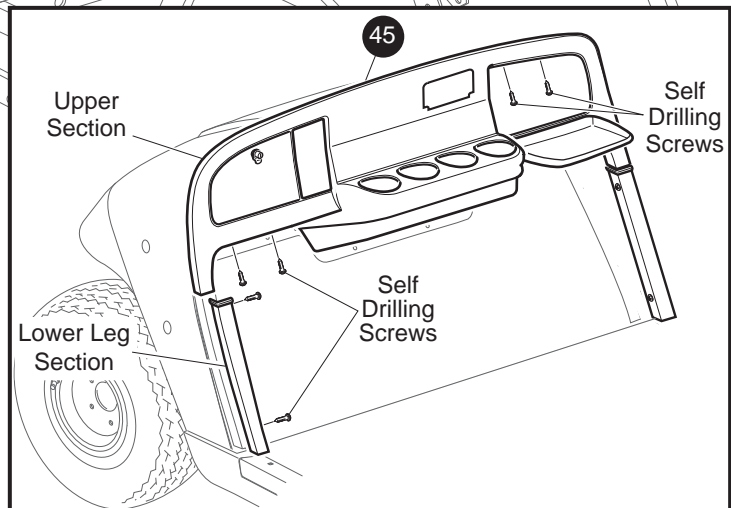
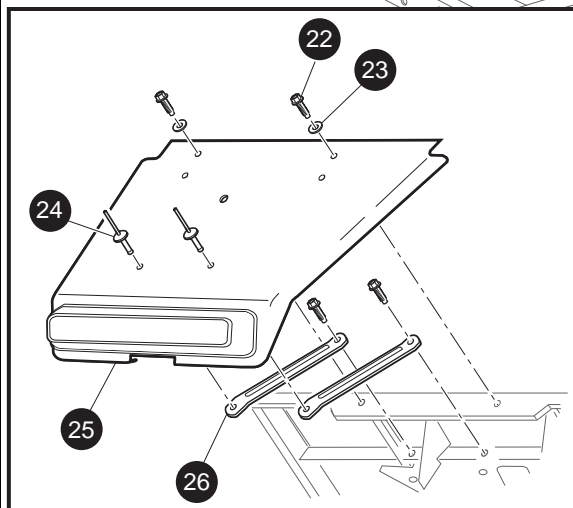
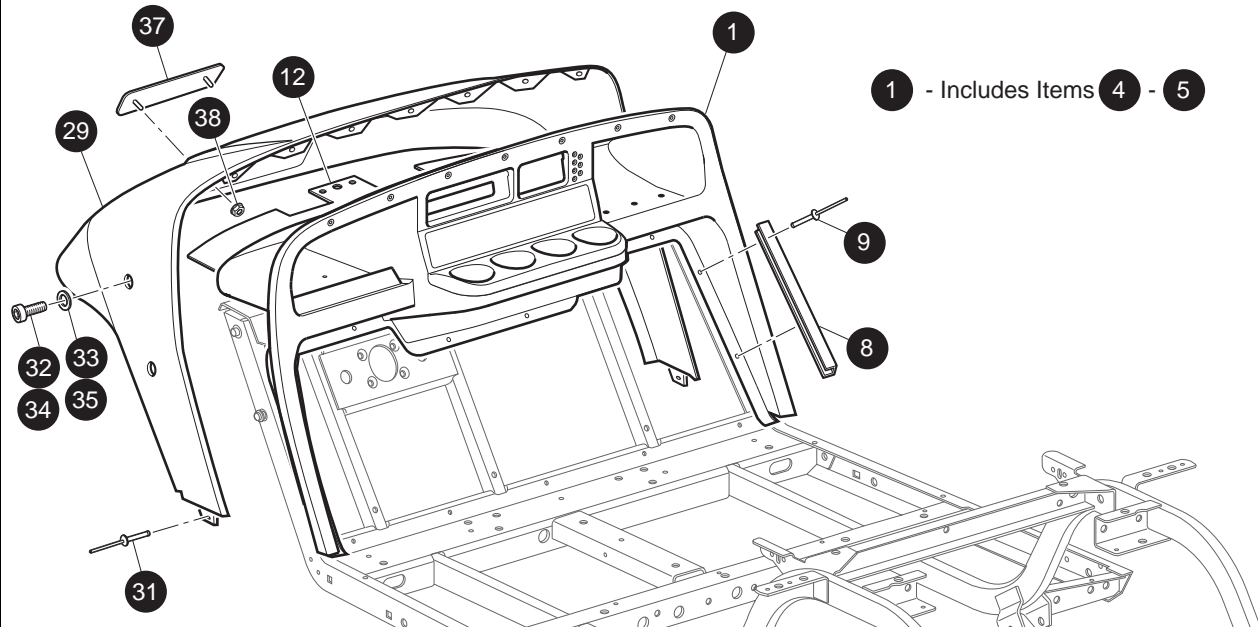
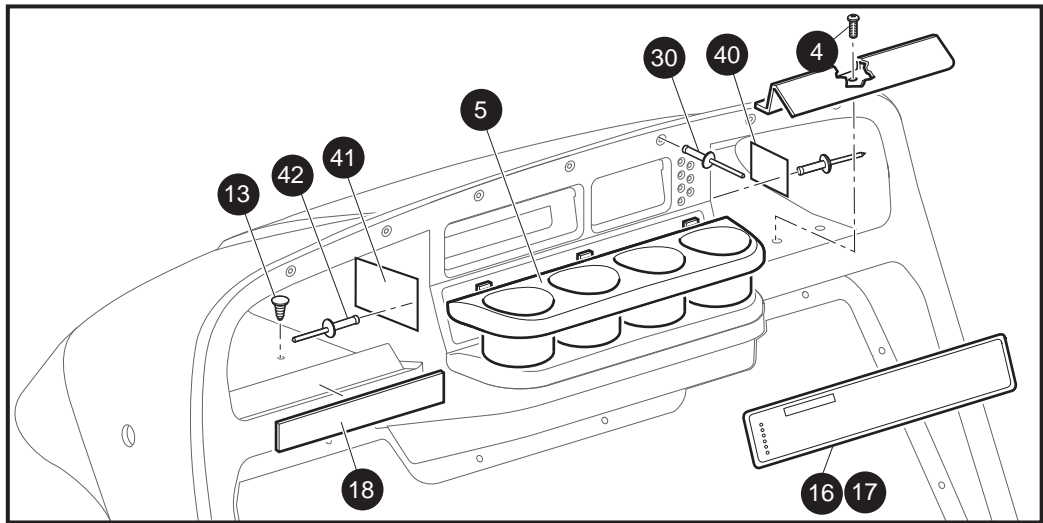
When ordering parts, please specify the model and serial number of the product.

* Indicates a component that is not available as an individual part.

*** Indicates consult Customer Service Department for additional information.

ITEM	PART NO.	1 2 3 4 5	DESCRIPTION	QTY.
1	622419		WORLD CHARGER, 48V, 3M CORD	1
2	622667		WORLD CHARGER, 48V, 5.5M CORD	1
3	605834		NYLON CLAMP 36" (NOT SHOWN IN ILLUSTRATION)	2

BODY



Where applicable, THE USE OF NON UL PARTS WILL VOID ANY UL LISTING.
 When ordering parts, please specify the model and serial number of the product.
 * Indicates a component that is not available as an individual part.
 G** Indicates consult Customer Service Department for additional information.

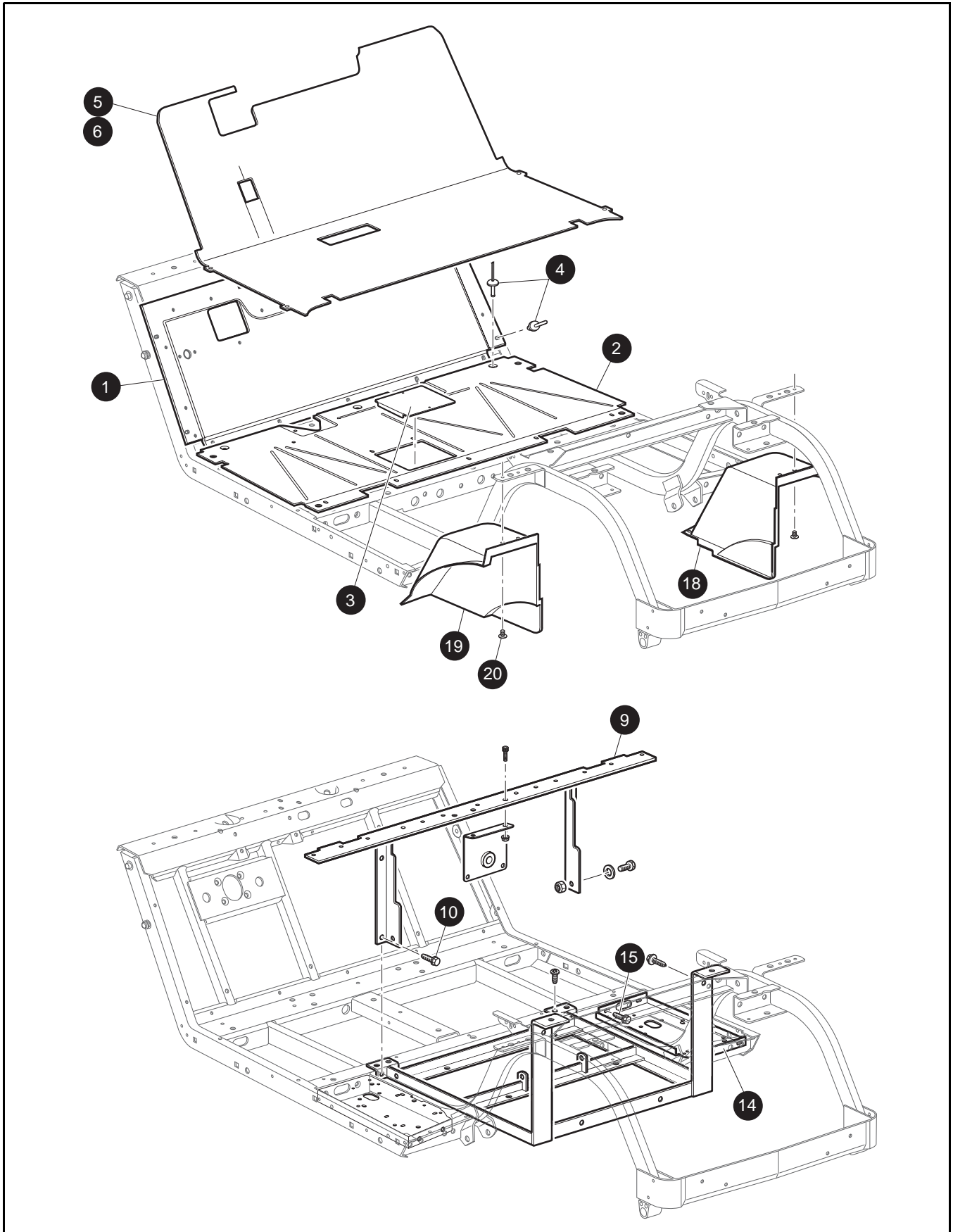
ITEM	PART NO.	1 2 3 4 5	DESCRIPTION	QTY.
1	71151G01		INSTRUMENT PANEL ASSEMBLY (INCLUDES ITEMS 4 - 5)	1
2				
3				
4	00614G5		SCREW, #8 - 18 X 5/8" LG	6
5	71158G01		INSTRUMENT PANEL INSERT (4 CUP HOLDER).....	1
6				
7				
8	71115G01		VINYL TRIM	2
9	71055G01		RIVET, 3/16" X 1" LG (ALUMINUM).....	10
10				
11				
12	71413G01		SPLASH PANEL.....	1
13	16816G2		RATCHET FASTENER, 1/4" X 3/4" LG	5
14				
15				
16	608465		LABEL (SAFETY).....	1
17				
18	74443G01		LABEL (ANTI-ROLLBACK)	1
19				
20				
21				
22	01038G01		BOLT, 1/4" - 20 X 11/16" LG	4
23	16469G1		FLAT WASHER, 1/4"	2
24	01057G01		RIVET, 1/4" X 1" LG	2
25	27166G04		FRONT SHIELD	1
26	70725G02		FRONT SHIELD BRACE.....	2
27				
28				
29	71051G**		COWL (See COLOR CODES in HOW TO USE section).....	1
30	71055G01		RIVET, 3/16" X 1" LG (ALUMINUM).....	9

BODY

Where applicable, THE USE OF NON UL PARTS WILL VOID ANY UL LISTING.
 When ordering parts, please specify the model and serial number of the product.
 * Indicates a component that is not available as an individual part.
 G** Indicates consult Customer Service Department for additional information.

ITEM	PART NO.	1 2 3 4 5	DESCRIPTION	QTY.
31	10570G11		RIVET, 3/16" X 3/4" LG (STAINLESS STEEL)	2
32	71056G01		BOLT, 5/16 - 18 X 5/8" LG	4
33	00570G2		FLAT WASHER, 5/16"	4
34	00438G6		BOLT, 5/16" - 18 X 3/4" LG (WITH TOP).....	2
35	00571G2		FLAT WASHER, 5/16"	2
36				
37	71037G02		E-Z-GO NAMEPLATE (GOLD).....	1
38	71597G01		NUT, SELF-THREADING, 5MM STUD x 10MM HEX	2
39				
40				
41				
42				
43				
44				
45	74239G01		INSTRUMENT PANEL WOODGRAIN APPLIQUE KIT	1

BODY



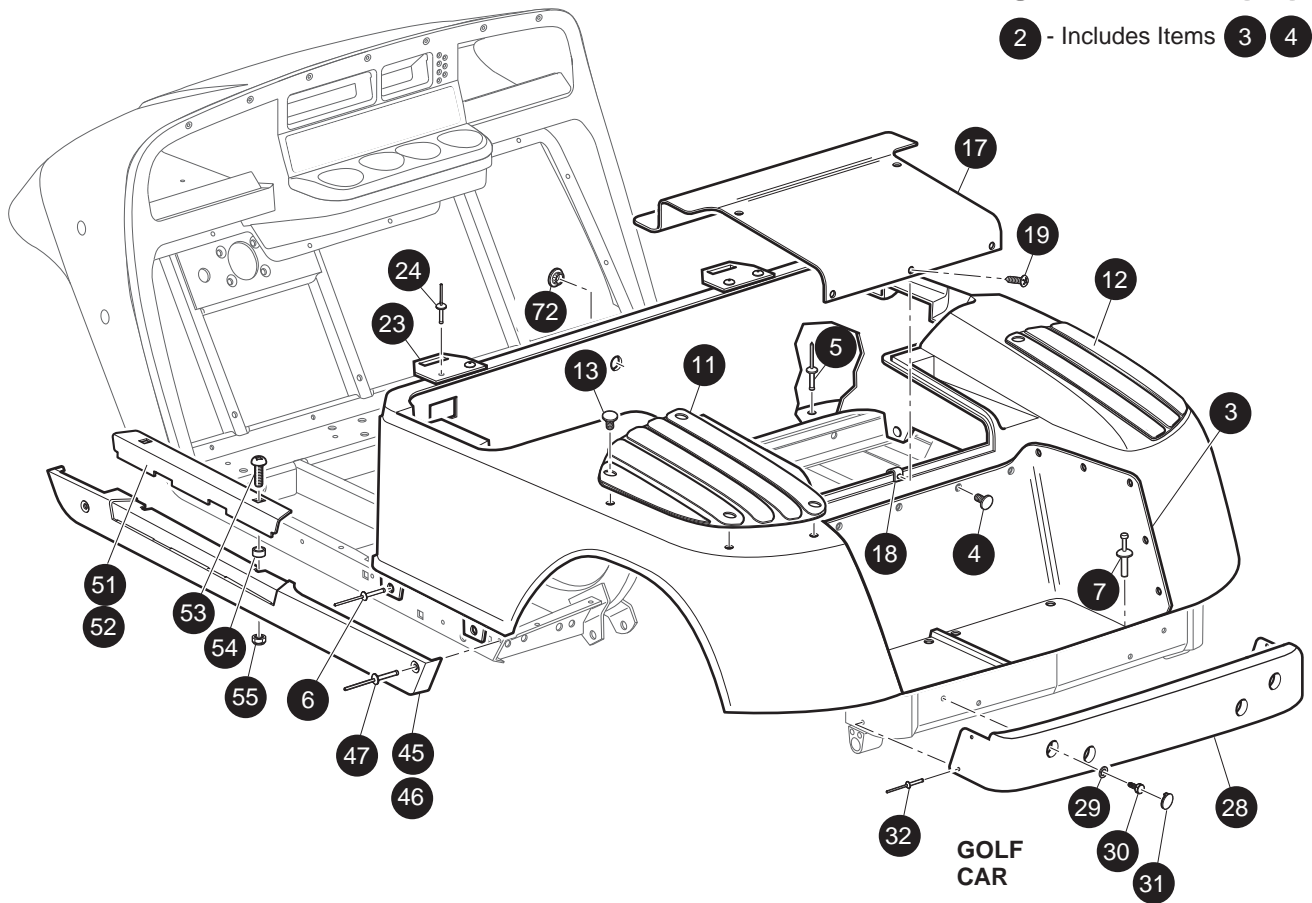
Where applicable, THE USE OF NON UL PARTS WILL VOID ANY UL LISTING.
 When ordering parts, please specify the model and serial number of the product.
 * Indicates a component that is not available as an individual part.
 G** Indicates consult Customer Service Department for additional information.

ITEM	PART NO.	1 2 3 4 5	DESCRIPTION	QTY.
1	70662G01		UPPER FLOORPAN.....	1
2	70451G01		LOWER FLOORPAN.....	1
3	70452G01		ACCESS COVER.....	1
4	14601G11		RIVET, 3/16" X 9/16" LG (ALUMINUM).....	16
5	70995G01		FLOORMAT.....	1
6	70995G02		FLOORMAT WITH HORN HOLE.....	1
7				
8				
9	70440G04		SEAT FRAME.....	1
10	00715G2		BOLT, 5/16" - 18 X 4/5" LG.....	2
11				
12				
13				
14	70244G03		SPLASH PANEL.....	1
15	00715G2		BOLT, 5/16" - 18 X 4/5" LG.....	4
16				
17				
18	71812G01		FENDER LINER (PASSENGER SIDE).....	1
19	71812G02		FENDER LINER (DRIVER SIDE).....	1
20	16816G2		RATCHET FASTENER, 1/4" X 3/4" LG.....	8

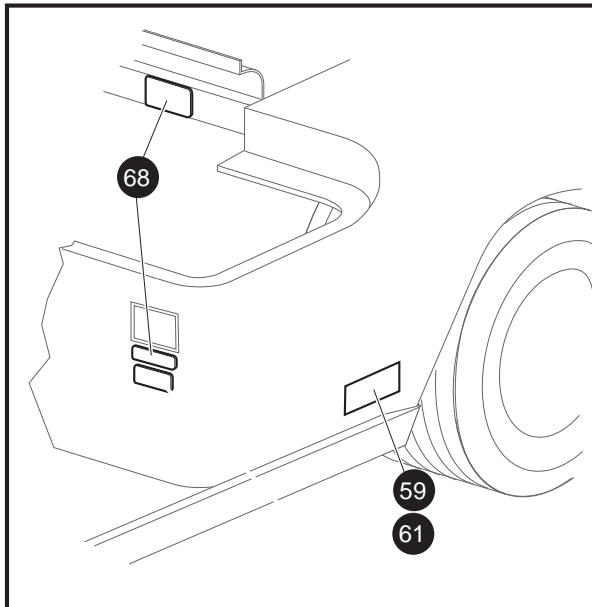
BODY

1 - Includes Items 3 4

2 - Includes Items 3 4



LABELS



Where applicable, THE USE OF NON UL PARTS WILL VOID ANY UL LISTING.

When ordering parts, please specify the model and serial number of the product.

* Indicates a component that is not available as an individual part.

G** Indicates consult Customer Service Department for additional information.

ITEM	PART NO.	1 2 3 4 5	DESCRIPTION	QTY.
1	71912G4**		REARBODY (WITHOUT TAILLIGHTS) (INCLUDES ITEMS 3, 4) (See COLOR CODES in HOW TO USE section)	1
2	71334G0**		REAR BODY (WITH TAILLIGHTS) (INCLUDES ITEMS 3, 4) (See COLOR CODES in HOW TO USE section)	1
3	71318G01		BAGWELL LINER	1
4	16816G1		RATCHET FASTENER, 1/4" X 9/16" LG	26
5	10570G10		RIVET, 5/32" X 9/16" LG (STAINLESS STEEL)	6
6	10570G12		RIVET, 1/4" X 9/16" LG (ALUMINUM)	4
7	18436G1		RIVET, 1/4" X 3/4" LG	2
8				
9				
10				
11	75126G01		FENDER SCUFFGUARD (DRIVER SIDE)	1
12	75126G02		FENDER SCUFFGUARD (PASSENGER SIDE)	1
13	16816G2		RATCHET FASTENER, 1/4" X 3/4" LG	8
14				
15				
16				
17	71320G01		ACCESS PANEL	1
18	71364G02		'J' CLIP	1
19	01107G01		SCREW, #8 X 5/8" LG (STAINLESS STEEL)	5
20				
21				
22				
23	71609G01		SEAT HINGE PLATE	2
24	10570G11		RIVET, 3/16" X 3/4" LG (STAINLESS STEEL)	4
25				
26				
27				
28	71578G01		REAR BUMPER	1
29	00571G2		FLAT WASHER, 5/16"	4

BODY

Where applicable, THE USE OF NON UL PARTS WILL VOID ANY UL LISTING.

When ordering parts, please specify the model and serial number of the product.

* Indicates a component that is not available as an individual part.

G** Indicates consult Customer Service Department for additional information.

ITEM	PART NO.	1 2 3 4 5	DESCRIPTION	QTY.
30	71102G01		BOLT, 1/4" - 20 X 3/4" LG.....	4
31	71514G01		BUMPER PLUG	4
32	14601G17		RIVET, 3/16" X 9/16" LG (ALUMINUM).....	4
33				
34				
35				
36	71456G01		REAR BUMPER (SHUTTLE 2+2)	1
37	71398G01		BOLT, 1/4" - 20 X 1 1/4" LG.....	2
38	71455G01		BUMPER PLUG	4
39	71102G01		BOLT, 1/4" - 20 X 3/4" LG.....	2
40	71554G01		'J' TYPE NUT RETAINER.....	2
41	71455G01		BUMPER STAY	4
42				
43				
44				
45	71501G01		ROCKER PANEL (PASSENGER SIDE).....	1
46	71502G01		ROCKER PANEL (DRIVER SIDE)	1
47	15058G6		RIVET, 3/16" X 15/16" LG (ALUMINUM).....	4
48				
49				
50				
51	71507G01		SILL PLATE (PASSENGER SIDE).....	1
52	71507G02		SILL PLATE (DRIVER SIDE).....	1
53	16705G1		SCREW, 1/4" - 20 X 1" LG (STAINLESS STEEL).....	4
54	23726G4		SPACER, 5/16".....	4
55	14390G4		LOCK NUT, 1/4" - 20	4
56				
57				
58				
59	613478		LABEL (48V FLEET)	2

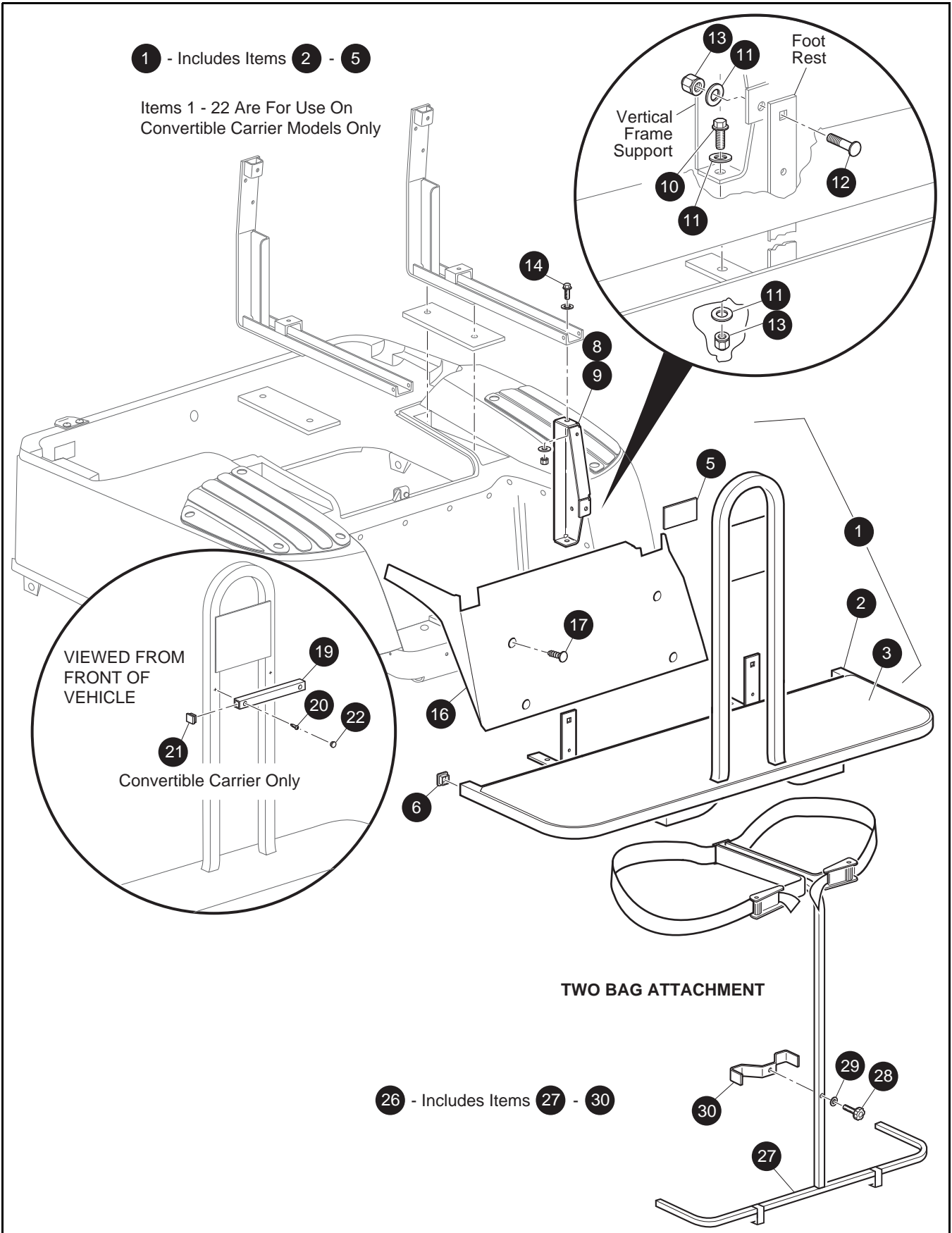
Where applicable, THE USE OF NON UL PARTS WILL VOID ANY UL LISTING.
 When ordering parts, please specify the model and serial number of the product.
 * Indicates a component that is not available as an individual part.
 G** Indicates consult Customer Service Department for additional information.

ITEM	PART NO.	1 2 3 4 5	DESCRIPTION	QTY.
60				
61	605407		LABEL (48V FREEDOM)	2
62				
63				
64				
65				
66				
67				
68	*		LABEL (SERIAL NUMBER)	1
69				
70				
71				
72	74024G01		SEAT WRAP MOUNTED NOISE SUPPRESSOR	1

BODY

1 - Includes Items 2 - 5

Items 1 - 22 Are For Use On Convertible Carrier Models Only



VIEWED FROM
FRONT OF
VEHICLE

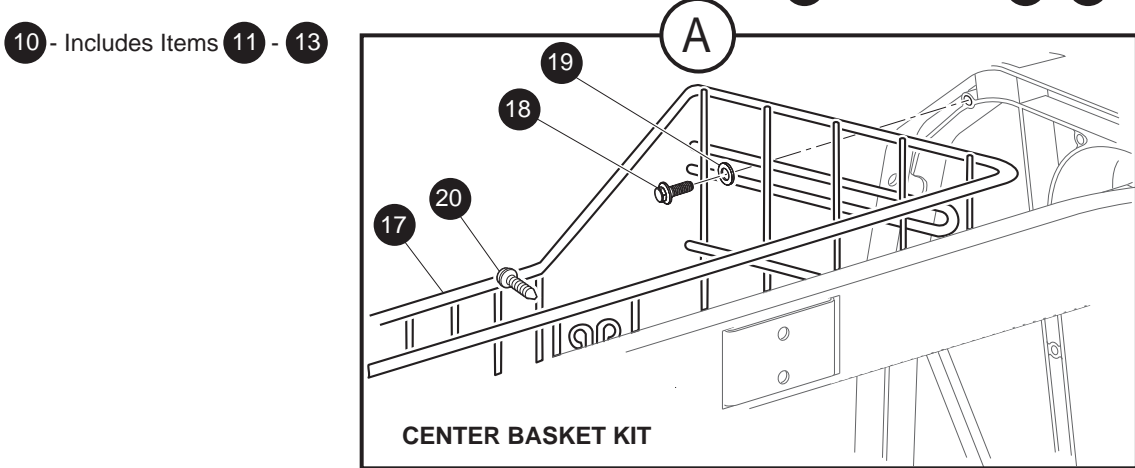
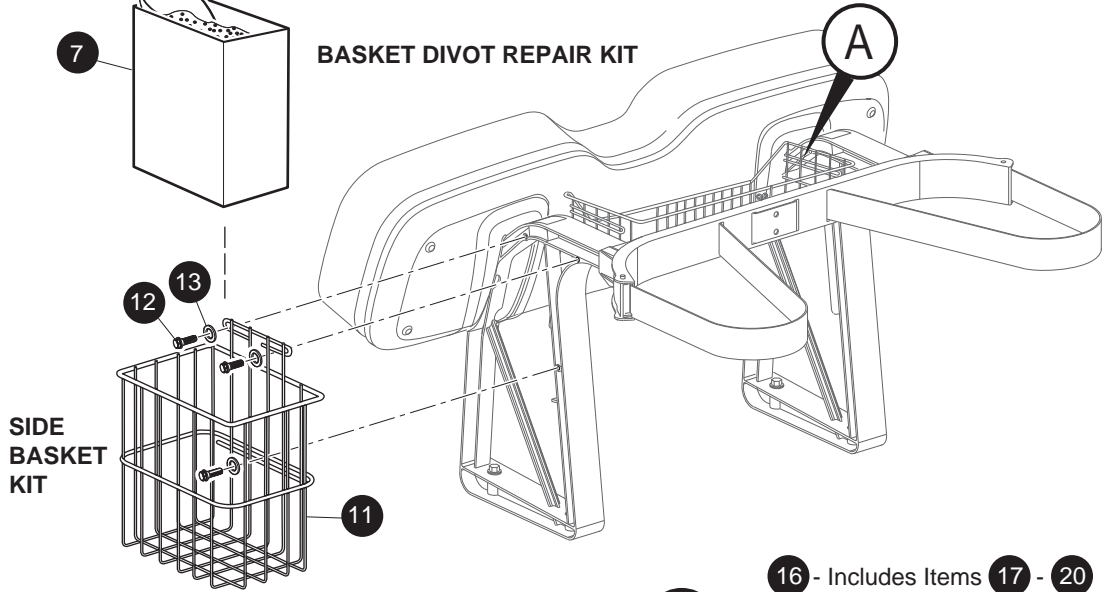
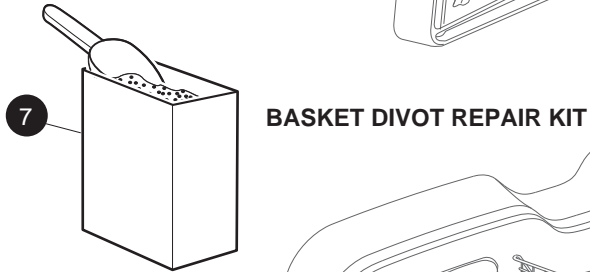
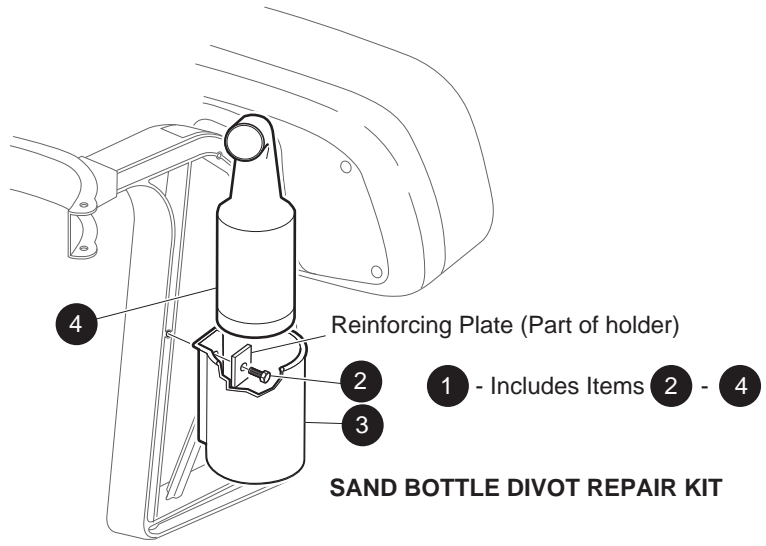
Convertible Carrier Only

TWO BAG ATTACHMENT

26 - Includes Items 27 - 30

Where applicable, THE USE OF NON UL PARTS WILL VOID ANY UL LISTING.
 When ordering parts, please specify the model and serial number of the product.
 * Indicates a component that is not available as an individual part.
 G** Indicates consult Customer Service Department for additional information.

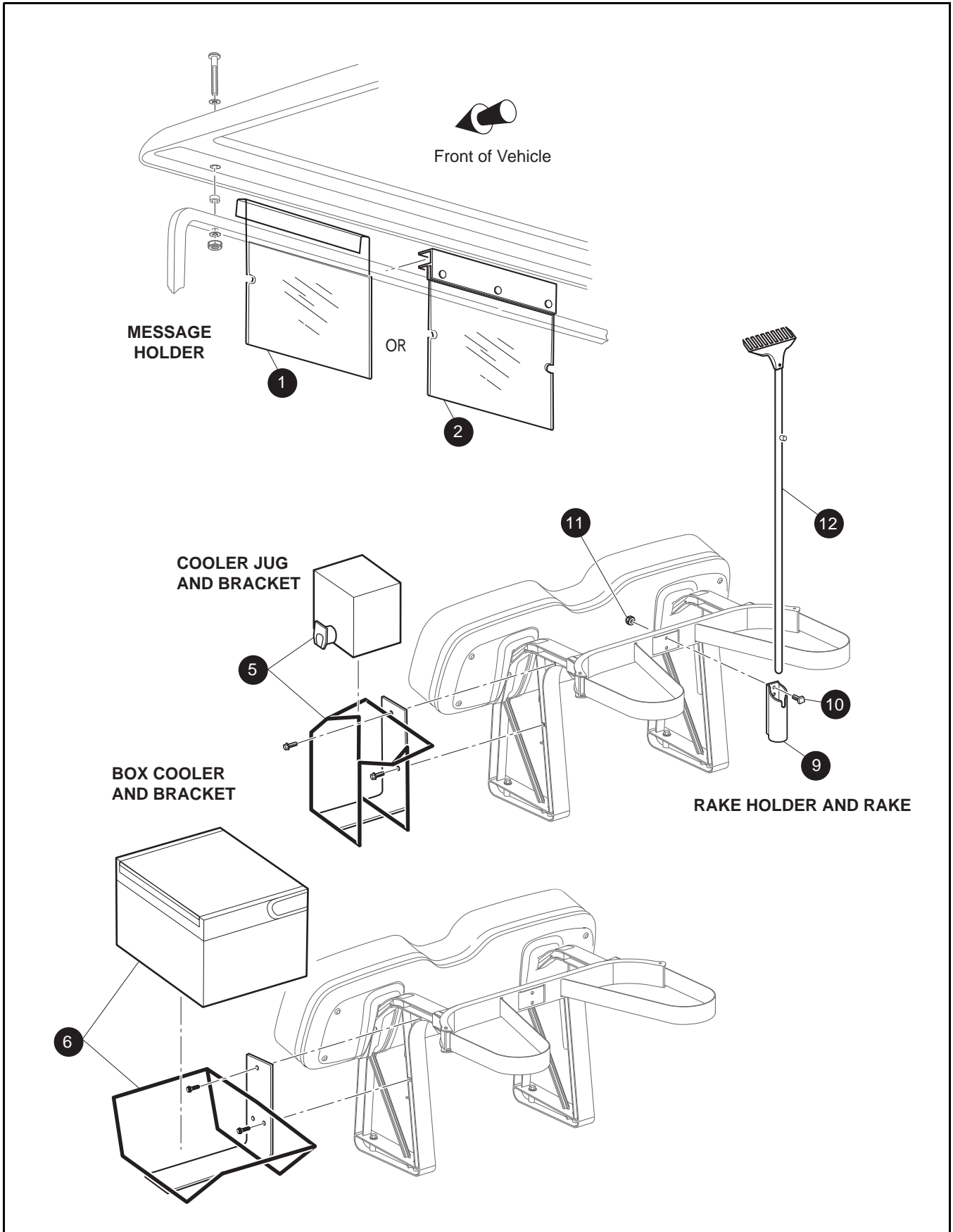
ITEM	PART NO.	1 2 3 4 5	DESCRIPTION	QTY.
1	70361G01		FOOTREST ASSEMBLY (INCLUDES ITEMS 2 - 5).....	1
2	70633G01		FOOTREST	1
3	70362G01		FLOOR MAT	1
4	19853G1		END CAP, 1"	2
5	74074G01		LABEL (WARNING).....	1
6				
7				
8	74126G01		VERTICAL FRAME SUPPORT (PASSENGER SIDE).....	1
9	74126G02		VERTICAL FRAME SUPPORT (DRIVER SIDE).....	1
10	00427G6		BOLT, 3/8" - 16 X 1 1/2" LG.....	2
11	00560G1		FLAT WASHER, 3/8".....	10
12	00769G2		CARRIAGE BOLT, 3/8" - 16 X 1 1/4" LG.....	2
13	11098G5		LOCK NUT, 3/8" - 16.....	10
14	01006G02		BOLT, 3/8" - 16 X 1" LG.....	2
15				
16	74149G01		VALANCE PANEL	1
17	16816G2		RATCHET FASTENER, 1/4" X 3/4" LG.....	4
18				
19	75268G01		SUPPORT	1
20	606882		SELF THREADING SCREW, #12 - 24 X 3/4" LG	2
21	19859G1		END CAP, 3/4".....	2
22	20271G2		HOLE PLUG, 1/2"	2
23				
24				
25				
26	75183G01		TWO BAG ATTACHMENT KIT (INCLUDES ITEMS 27 - 30).....	1
27	75188G01		TWO BAG ATTACHMENT.....	1
28	22238G2		KNOB, 3/8" - 16 X 1 1/2" LG.....	1
29	17255G1		TEFLON WASHER, 5/16".....	1
30	75187G01		SUPPORT BRACKET.....	1



Where applicable, THE USE OF NON UL PARTS WILL VOID ANY UL LISTING.
 When ordering parts, please specify the model and serial number of the product.
 * Indicates a component that is not available as an individual part.
 G** Indicates consult Customer Service Department for additional information.

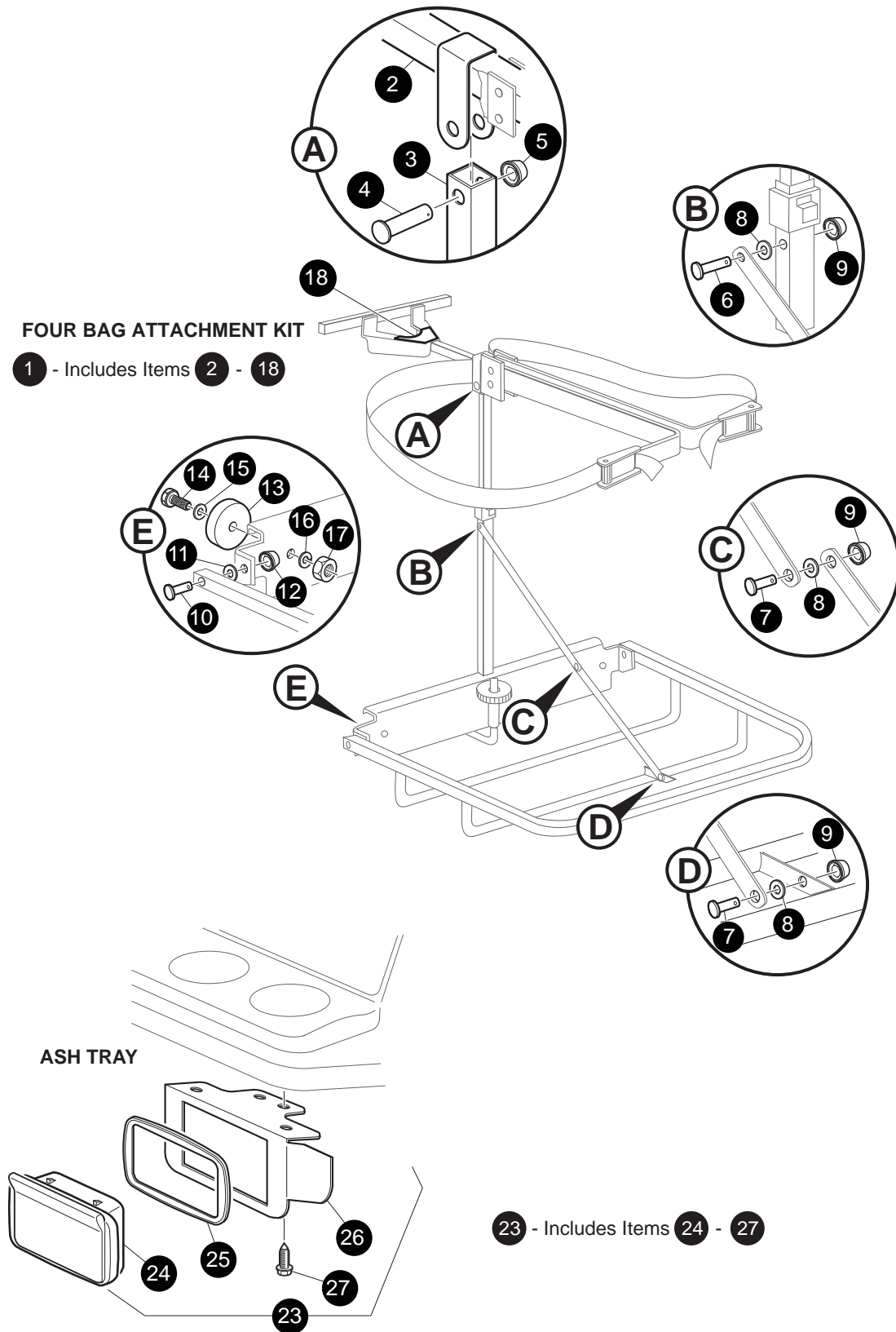
ITEM	PART NO.	1 2 3 4 5	DESCRIPTION	QTY.
1	28661G01		SAND BOTTLE DIVOT REPAIR KIT (INCLUDES ITEMS 2 - 4).....	1
2	71102G01		BOLT, 1/4" - 20 X 3/4" LG	1
3	28660G01		SAND BOTTLE HOLDER	1
4	28659G01		SAND BOTTLE	1
5				
6				
7	74849		BASKET DIVOT REPAIR KIT (INCLUDES SCOOP).....	1
8				
9				
10	75007G02		SIDE BASKET KIT (INCLUDES ITEMS 11 - 13).....	1
11	75460G01		SIDE BASKET	1
12	71102G01		BOLT, 1/4" - 20 X 3/4" LG	3
13	00793G2		FLAT WASHER, 1/4" (STAINLESS STEEL)	3
14				
15				
16	75003G02		CENTER BASKET KIT (INCLUDES ITEMS 17 - 20).....	1
17	75461G01		CENTER BASKET	1
18	71102G01		BOLT, 1/4" - 20 X 3/4" LG	2
19	00793G2		FLAT WASHER, 1/4" (STAINLESS STEEL)	2
20	01105G01		SCREW, #10 X 5/8" LG (STAINLESS STEEL).....	2

BODY



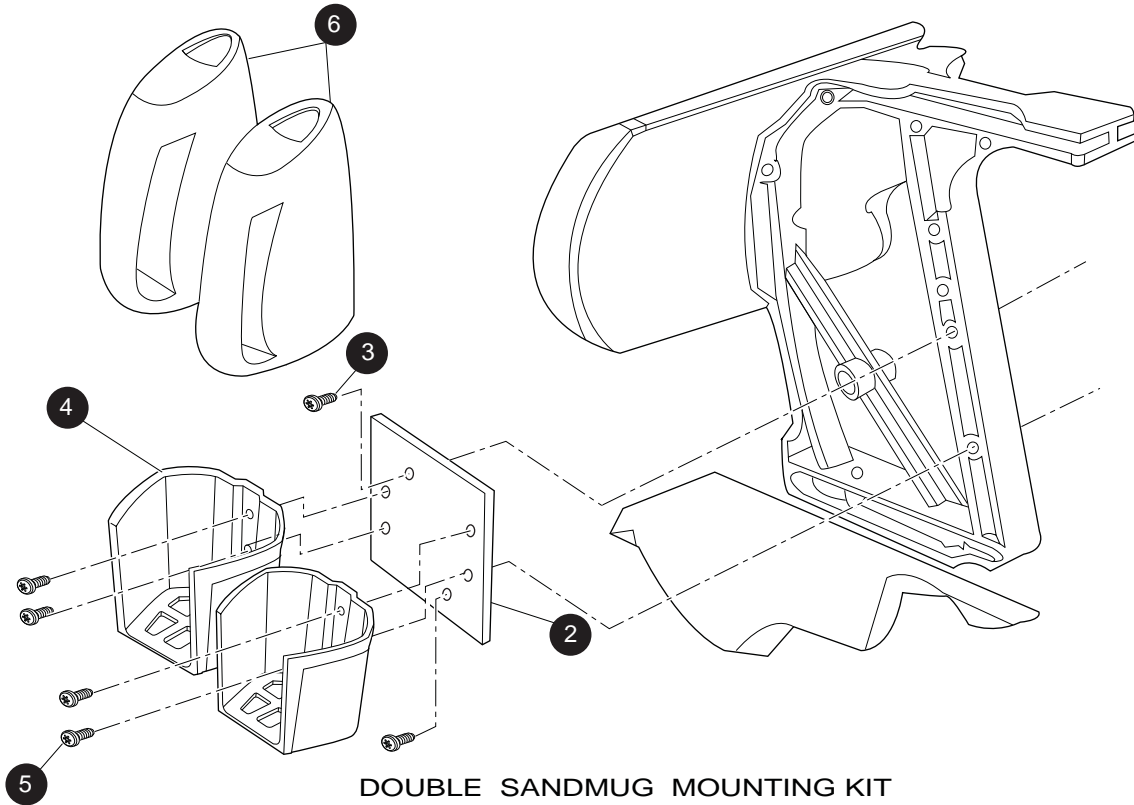
Where applicable, THE USE OF NON UL PARTS WILL VOID ANY UL LISTING.
 When ordering parts, please specify the model and serial number of the product.
 * Indicates a component that is not available as an individual part.
 G** Indicates consult Customer Service Department for additional information.

ITEM	PART NO.	1 2 3 4 5	DESCRIPTION	QTY.
1	75509G01		MESSAGE HOLDER (ONE PIECE).....	1
2	75496G01		MESSAGE HOLDER.....	1
3				
4				
5	75495G01		COOLER JUG AND BRACKET KIT	1
6	71048G01		BOX COOLER AND BRACKET KIT	1
7				
8				
9	25885G01		RAKE HOLDER.....	1
10	00989G06		SQUARE HEAD BOLT, 1/4" - 20 X 3/4" LG.....	2
11	11027G2		LOCK NUT, 1/4" - 20	2
12	14735G1		RAKE.....	1

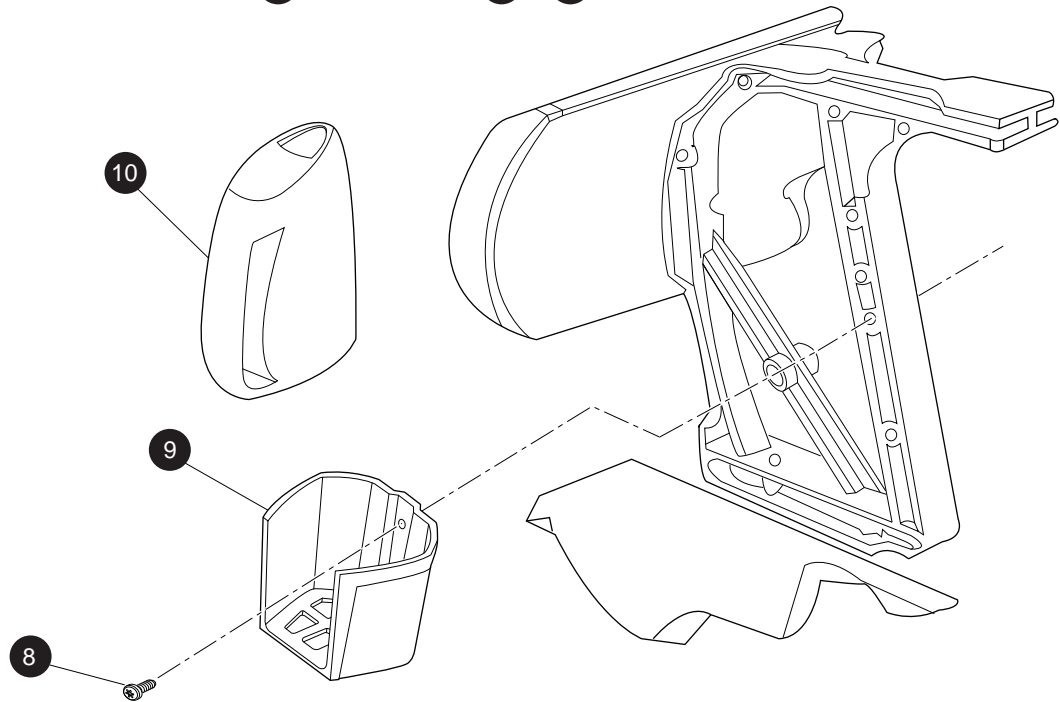


Where applicable, THE USE OF NON UL PARTS WILL VOID ANY UL LISTING.
 When ordering parts, please specify the model and serial number of the product.
 * Indicates a component that is not available as an individual part.
 G** Indicates consult Customer Service Department for additional information.

ITEM	PART NO.	1 2 3 4 5	DESCRIPTION	QTY.
1	75335G01		FOUR BAG ATTACHMENT KIT (INCLUDES ITEMS 2 - 18)	1
2	*		TOP ASSEMBLY	1
3	*		BOTTOM ASSEMBLY	1
4	17651G2		CLEVIS PIN, 5/16" X 1 1/8" LG	1
5	28129G01		PUSH NUT, 5/16"	1
6	17651G2		CLEVIS PIN, 5/16" X 1 1/8" LG	1
7	17651G3		CLEVIS PIN, 5/16" X 1/2" LG	2
8	00559G8		FLAT WASHER, 5/16"	3
9	28129G01		PUSH NUT, 5/16"	3
10	*		CLEVIS PIN 3/8" X 1 1/4" LG	2
11	00560G1		FLAT WASHER, 3/8"	2
12	*		PUSH NUT, 3/8"	2
13	13728G1		RUBBER BUMPER.....	2
14	00150G6		SCREW, #10 - 24 X 3/4" LG	2
15	00559G5		FLAT WASHER, #10.....	2
16	00565G5		LOCK WASHER, #10	2
17	00526G3		NUT, #10 - 24.....	2
18	*		LABEL (WARNING)	1
19				
20				
21				
22				
23	75109G02		ASH TRAY KIT (INCLUDES ITEMS 24 - 27)	1
24	27731G01		ASH TRAY	1
25	27736G01		GASKET	1
26	75108G02		BRACKET	1
27	00100G4		SCREW, #10 - 16 X 1/2" LG	4



1 - Includes Items 2 - 6

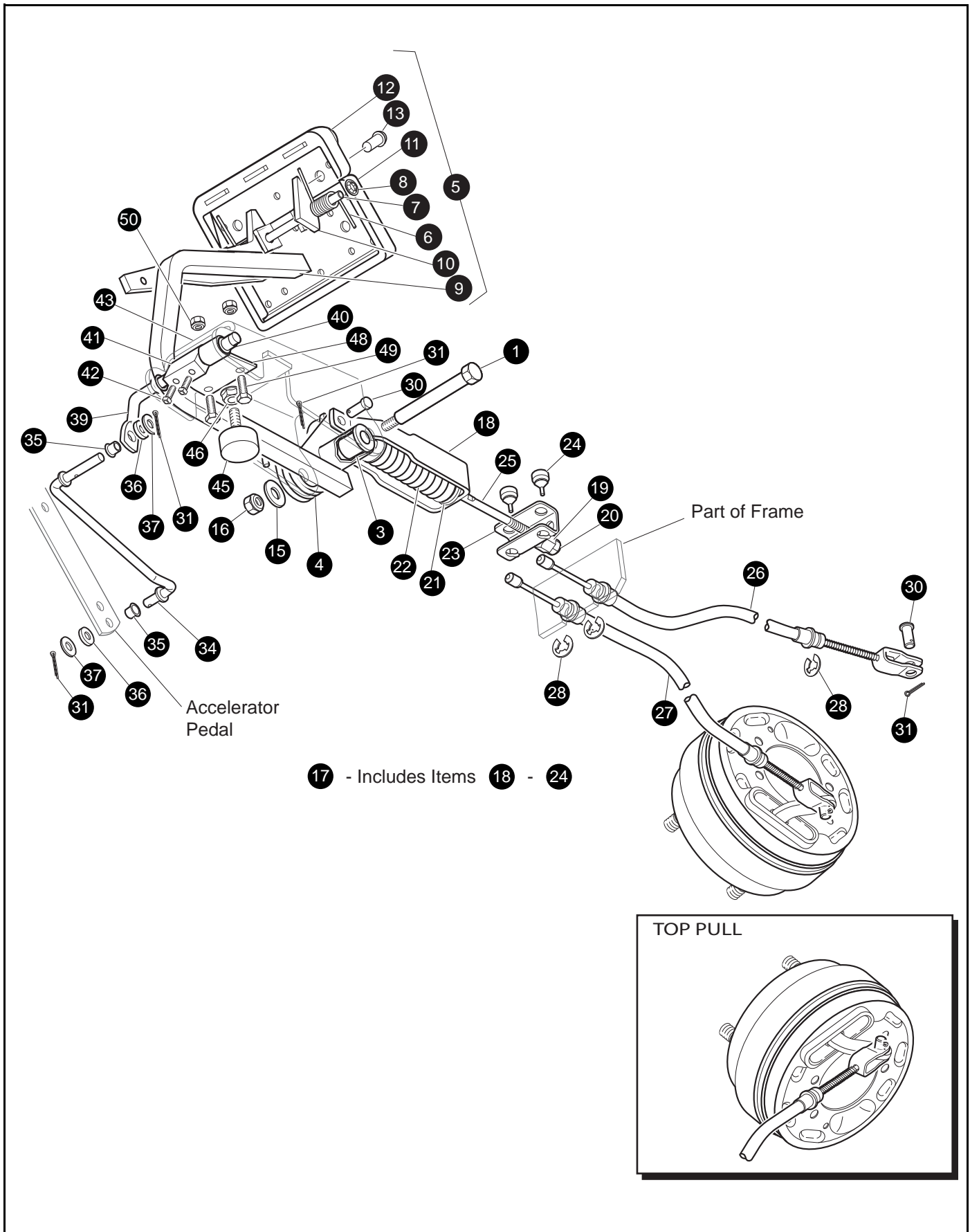


7 - Includes Items 8 - 10

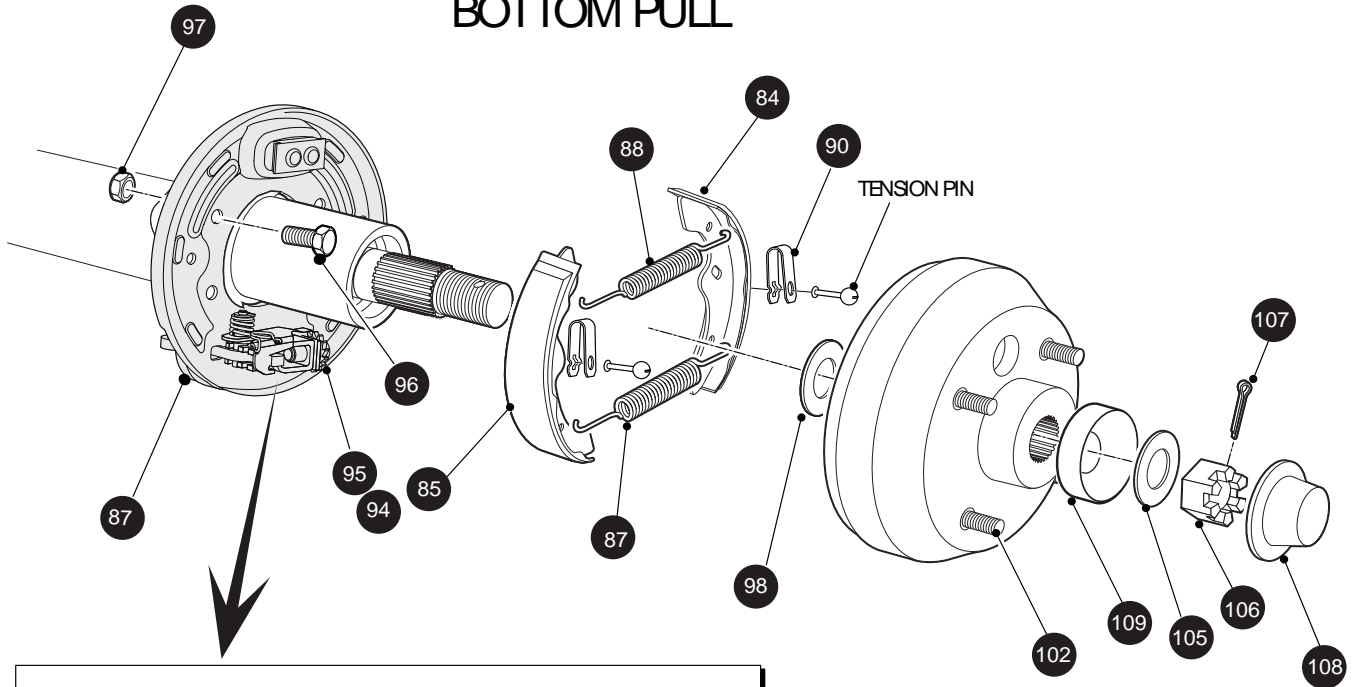
Where applicable, THE USE OF NON UL PARTS WILL VOID ANY UL LISTING.
 When ordering parts, please specify the model and serial number of the product.
 * Indicates a component that is not available as an individual part.
 G** Indicates consult Customer Service Department for additional information.

ITEM	PART NO.	1 2 3 4 5	DESCRIPTION	QTY.
1	606986		DOUBLE SANDMUG MOUNTING KIT (INCLUDES ITEMS 2 - 6)	1
2	606988		MOUNTING PLATE, SAND MUG - HOLDER.....	1
3	71102G01		BOLT 1/4" - 20 X 3/4"	2
4	606950		SAND MUG HOLDER.....	2
5	*		BOLT 1/4" - 20 X 1/2"	4
6	606949		SAND MUG.....	2
7	606951		SINGLE SANDMUG MOUNTING KIT (INCLUDES ITEMS 8 - 10).....	1
8	71102G01		BOLT 1/4" - 20 X 3/4"	1
9	606950		SAND MUG HOLDER.....	1
10	606949		SAND MUG.....	1

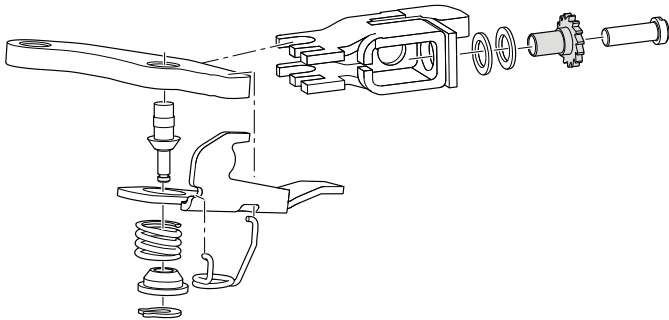
BRAKES - MECHANICAL



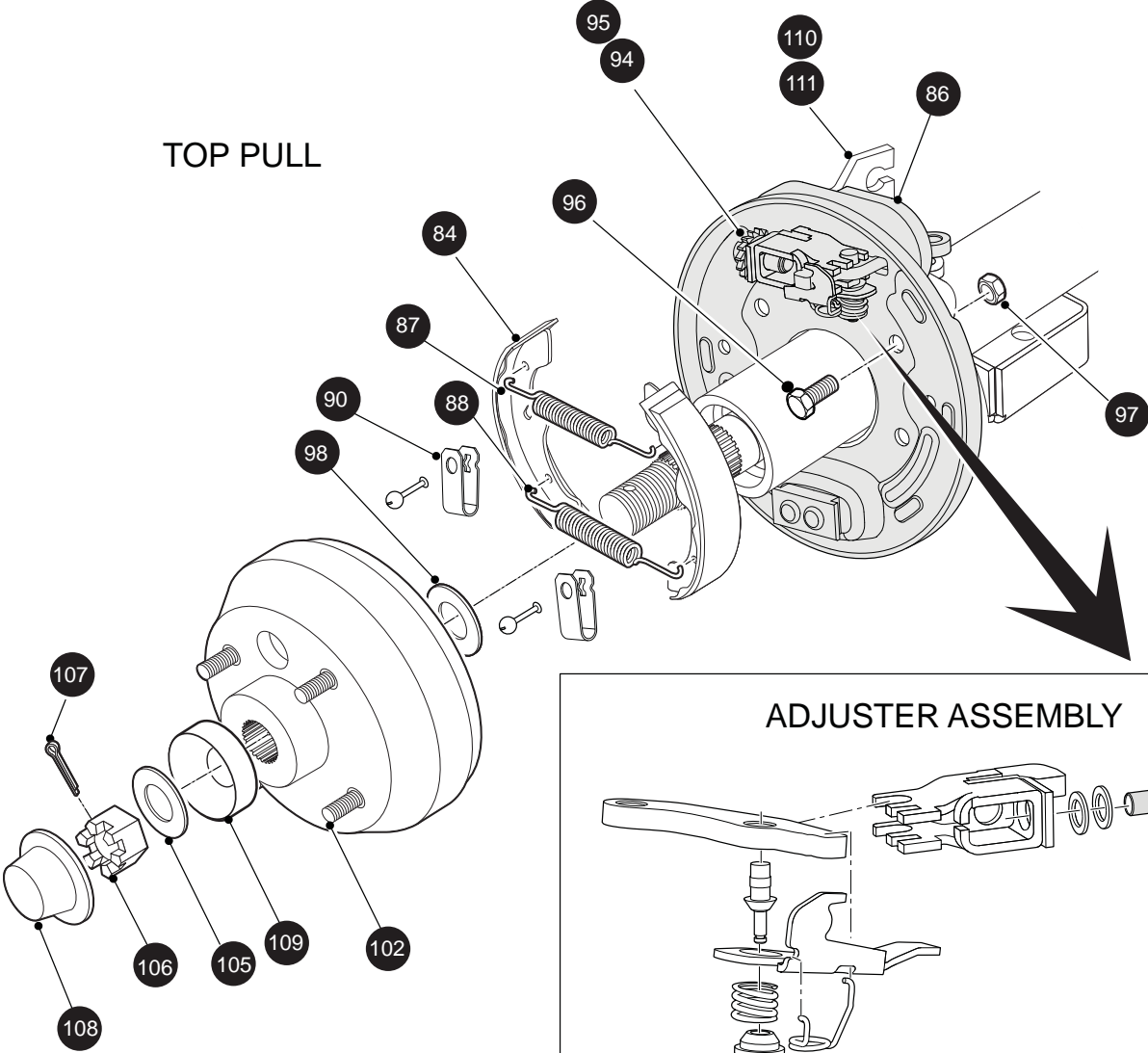
BOTTOM PULL



ADJUSTER ASSEMBLY



TOP PULL



ADJUSTER ASSEMBLY

BRAKES - MECHANICAL

When ordering parts, please specify the model and serial number of the product.

* Indicates a component that is not available as an individual part.

*** Indicates consult Customer Service Department for additional information.

ITEM	PART NO.	1 2 3 4 5	DESCRIPTION	QTY.
1	70582G01		SHOULDER BOLT, 3/8 - 16 X 4" LG (STAINLESS STEEL).....	1
2				
3	70581G01		FLANGED BUSHING	2
4	70676G01		TORSION SPRING	1
5	70612G02		BRAKE PEDAL ASSEMBLY (WITHOUT BRAKE LIGHTS) (INCLUDES ITEMS 6 - 13)	1
6	70681G01		TORSION SPRING	2
7	70682G01		PIVOT PIN	1
8	01071G01		PUSHNUT, 5/16"	1
9	70259G02		BRAKE PEDAL	1
10	70611G02		PARK BRAKE PEDAL.....	1
11	70257G01		SERVICE BRAKE PAD	1
12	70256G01		PARK BRAKE PEDAL PAD	1
13	16409G1		OVAL RIVET, 3/16" X 3/8" LG	9
14	12416G2		NYLON WEDGE LOCK CLAMP (NOT ILLUSTRATED)	AR
15	00643G1		WASHER, 3/8"	1
16	11098G5		LOCK NUT, 3/8 - 16.....	1
17	612558		COMPENSATOR ASSEMBLY (INCLUDES ITEMS 18 - 24).....	1
18	27330G01		BRAKE YOKE	1
19	00963G01		SPHERICAL NUT, 5/16 - 24.....	1
20	11098G9		LOCK NUT, 5/16 - 24	1
21	15121G1		WASHER 5/16	2
22	23463G1		COMPRESSION SPRING	1
23	28082G01		EQUALIZER BRACKET	1
24	612557		BRAKE COMPENSATOR LINK ROD	1
25	28083G01		BRAKE COMPENSATOR BUMPER	2
26	624690		BRAKE CABLE DRIVER SIDE.....	1
27	624691		BRAKE CABLE PASSENGER SIDE	1
28	01111G01		RETAINING RING, 13/32" (STAINLESS STEEL)	4
29				
30	10386G3		CLEVIS PIN, 5/16" X 13/16" LG	3
31	10387G3		COTTER PIN, 3/32" X 3/4" LG	5

BRAKES - MECHANICAL

When ordering parts, please specify the model and serial number of the product.

* Indicates a component that is not available as an individual part.

*** Indicates consult Customer Service Department for additional information.

ITEM	PART NO.	1 2 3 4 5	DESCRIPTION	QTY.
32	01038G01		SWAGEFORM SCREW, 1/4 -20 (NOT ILLUSTRATED).....	1
33				
34	70601G01		KICK-OFF LINK	1
35	17838G1		NYLON BUSHING	2
36	20835G1		TEFLON WASHER, 3/8"	2
37	00559G8		WASHER, 5/16"	2
38				
39	70098G01		KICK-OFF CAM PIVOT.....	1
40	10097G6		FLANGED BEARING	2
41	70587G01		KICK-OFF CAM	1
42	71215G01		SETSCREW, 1/4 - 20 X 1/2" LG	2
43	14134G4		SPACER.....	1
44				
45	70113G01		ADJUSTABLE BUMPER.....	1
46	11027G1		LOCK NUT, 5/16 - 18	1
47				
48	70080G02		CATCH BRACKET	1
49	00414G6		BOLT, 1/4 - 20 X 3/4" LG.....	2
50	14390G4		LOCK NUT, 1/4 - 20 (STAINLESS STEEL).....	2
51				
52				
53	70690G02		BRAKE PEDAL ASSEMBLY (WITH BRAKE LIGHTS) (INCLUDES ITEMS 54 - 80)	1
54	*		BRAKE PEDAL.....	1
55	70611G02		PARK BRAKE PEDAL	1
56	70274G01		BRAKE/PARK BRAKE PEDAL PAD KIT (INCLUDES ITEMS 57 - 59)	1
57	*		SERVICE BRAKE PAD	1
58	*		PARK BRAKE PAD	1
59	16409G1		OVAL RIVET, 3/16" x 7/16" LG	9
60				
61	70258G03		BRAKE PEDAL PLATE	1

BRAKES - MECHANICAL

When ordering parts, please specify the model and serial number of the product.

* Indicates a component that is not available as an individual part.

*** Indicates consult Customer Service Department for additional information.

ITEM	PART NO.	1	2	3	4	5	DESCRIPTION	QTY.
62	70682G01						PIVOT PIN	1
63	70681G01						TORSION SPRING	2
64	01071G01						PUSHNUT, 5/16"	1
65	00737G8						SCREW, #10 - 24 X 7/8" LG	4
66	00739G1						RUBBER NUT, #10 - 24	2
67	74535G01						BRAKE PEDAL STANDOFF	2
68	27137G01						CONICAL SPRING	2
69	14390G10						LOCK NUT, #10 - 24	2
70	10606G8						MICRO SWITCH	1
71	00645-G2						SCREW, #6 - 32 X 1 1/4" LG	2
72	00559G5						WASHER, #10	2
73	00559G3						WASHER, #6	4
74	00565G3						LOCK WASHER, #6	2
75	00525G5						NUT, #6 - 32	2
76	13514G1						SCREW AND LOCK WASHER, #6	2
77	00642-G8						WASHER - 5/16"	2
78	14628G1						FASTON TAB	2
79	24605G1						WIRE HARNESS (BRAKE LIGHT)	1
80	17618G1						WIRE TIE	4
81								
82	612189						BRAKE ASSEMBLY (DRIVER SIDE) (INCLUDES ITEMS 84 - 88, 90, 95)	1
83	612211						BRAKE ASSEMBLY (PASSENGER SIDE) (INCLUDES ITEMS 84 - 88 & 90,94)	1
84	612412						BRAKE SHOE	2
85	612411						BRAKE SHOE	2
86	612413						DUST COVER	1
87	612415						SPRING	1
88	612414						SPRING	1
89								
90	612416						SHOE CLAMP	2
91								
92								

BRAKES - MECHANICAL

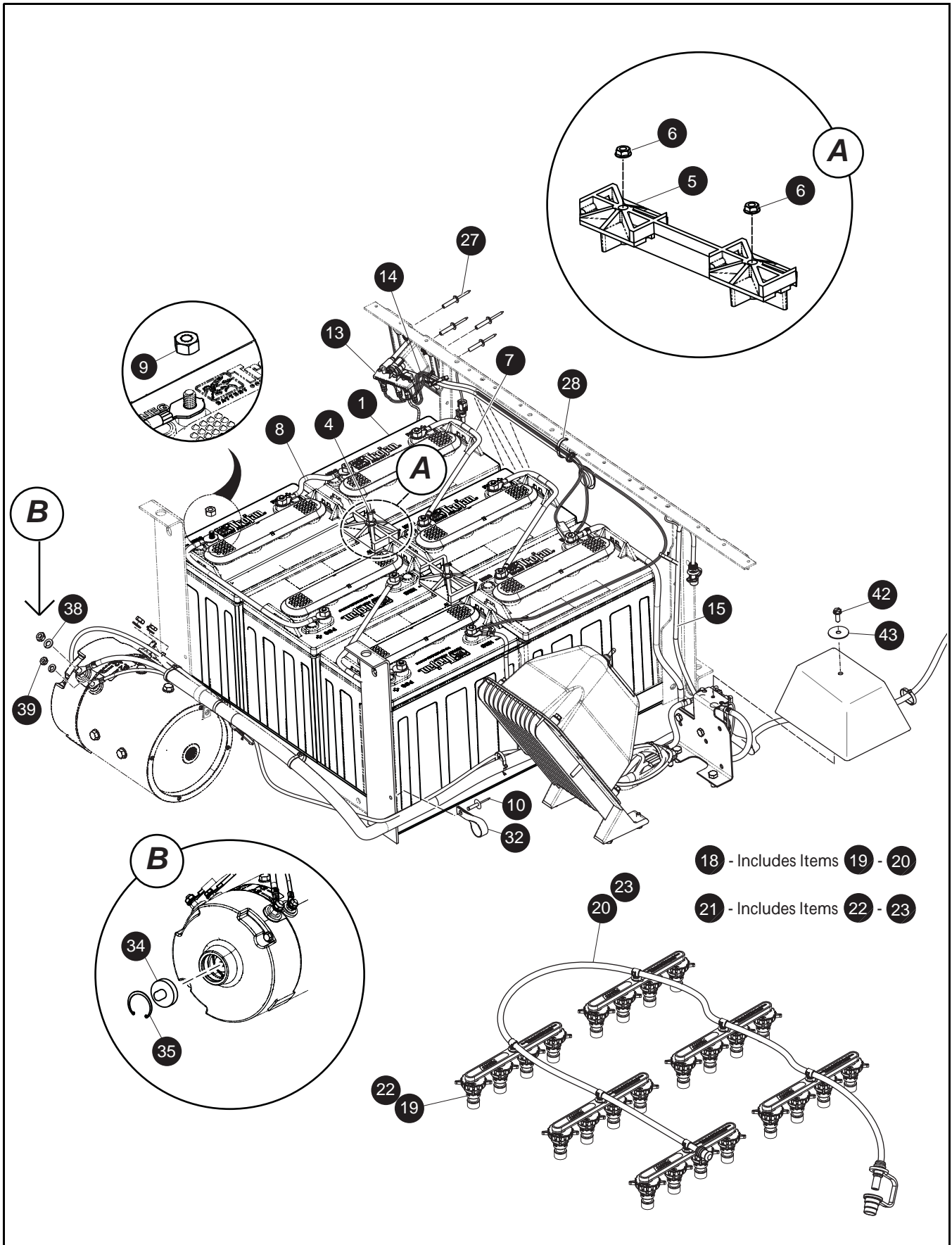
When ordering parts, please specify the model and serial number of the product.

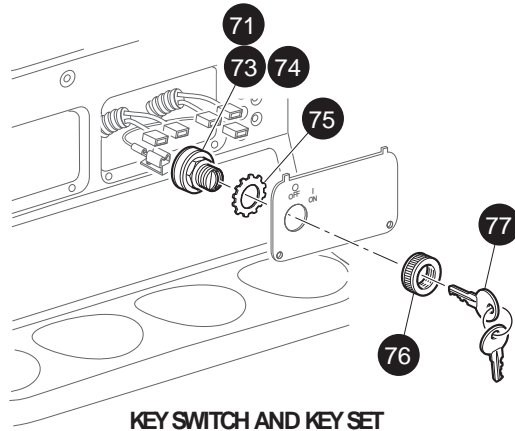
* Indicates a component that is not available as an individual part.

*** Indicates consult Customer Service Department for additional information.

ITEM	PART NO.	1 2 3 4 5	DESCRIPTION	QTY.
93				
94	612418		ADJUSTER.....	1
95	612417		ADJUSTER.....	1
96	17083G2		BOLT, 5/16 - 24 X 1" LG.....	8
97	15126G1		LOCK NUT, 5/16 - 24	8
98	21809G1		INNER BRAKE DRUM WASHER, 1 5/16" OD X 1" ID X 1/32".....	2
99				
100	21807G2		BRAKE DRUM ASSEMBLY (INCLUDES ITEMS 101 - 102)	2
101	*		BRAKE DRUM.....	1
102	19862G2		LUG BOLT, 1/2 - 20 X 1 3/16" LG.....	4
103				
104				
105	606945		OUTER BRAKE DRUM WASHER.....	2
106	606403		SLOTTED NUT, M22 X 1.5	2
107	10387G1		COTTER PIN, 1/8" X 1-1/2" LG	2
108	74175G01		SPINDLE CAP	2
109	607033		SPINDLE CAP ADAPTER	2
110	608200		BRAKE CABLE BRACKET (PASSENGER SIDE)	1
111	608201		BRAKE CABLE BRACKET (DRIVER SIDE).....	1

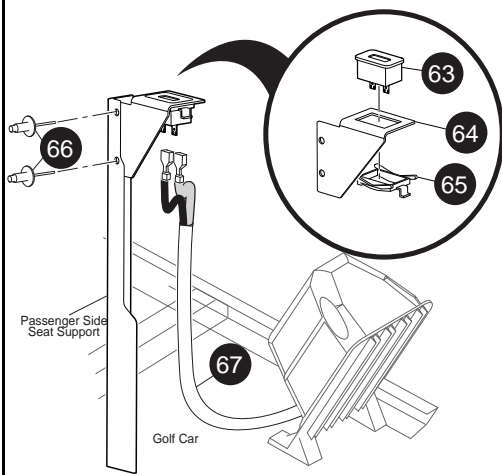
ELECTRICAL





HOUR METER DETAIL

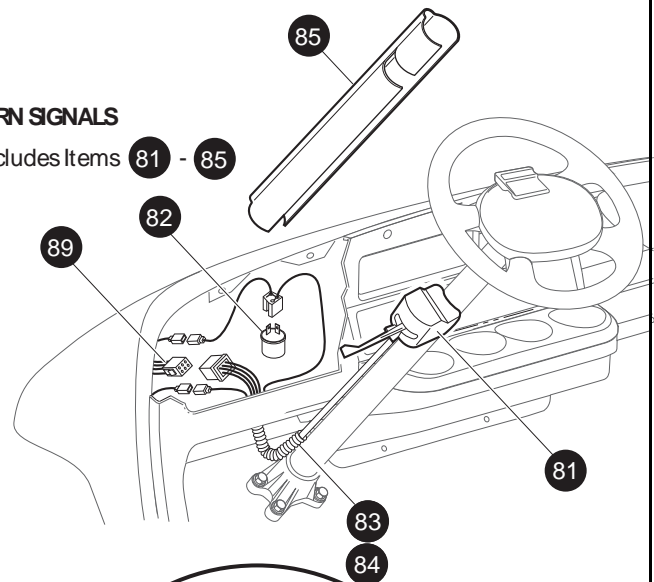
62 - Includes Items 63 - 67



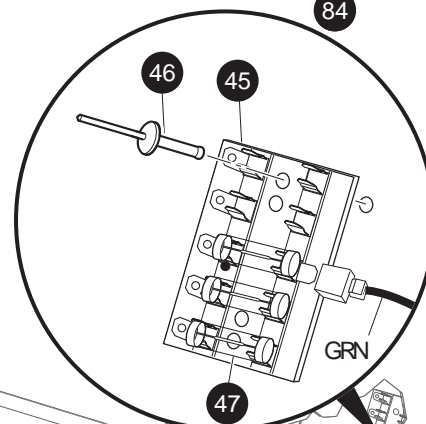
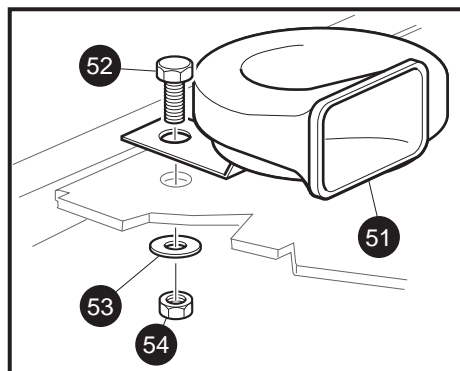
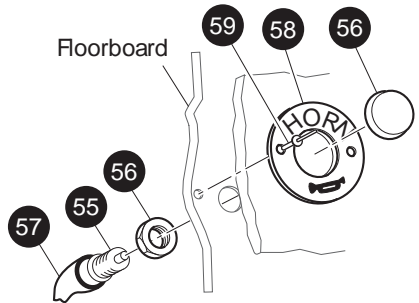
KEY SWITCH AND KEY SET

TURN SIGNALS

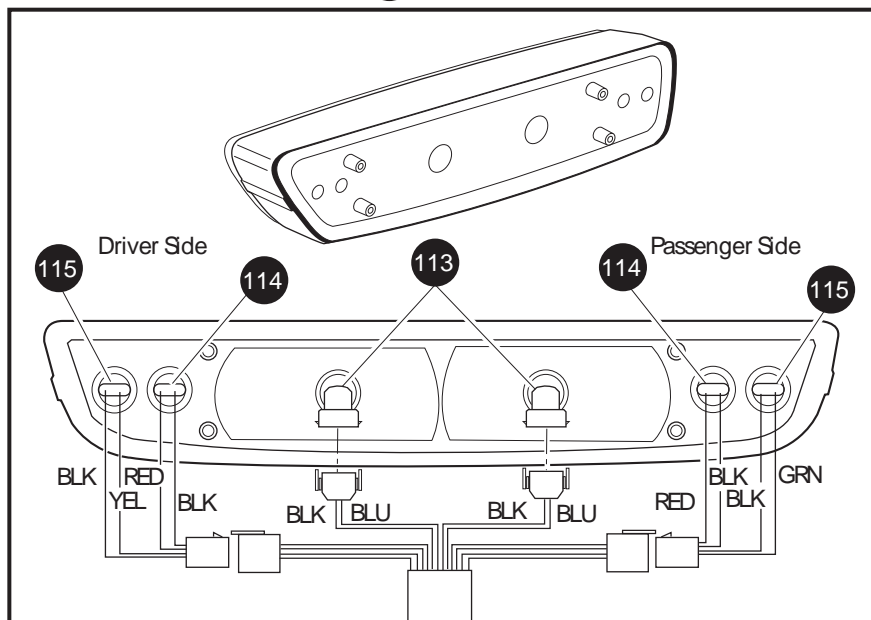
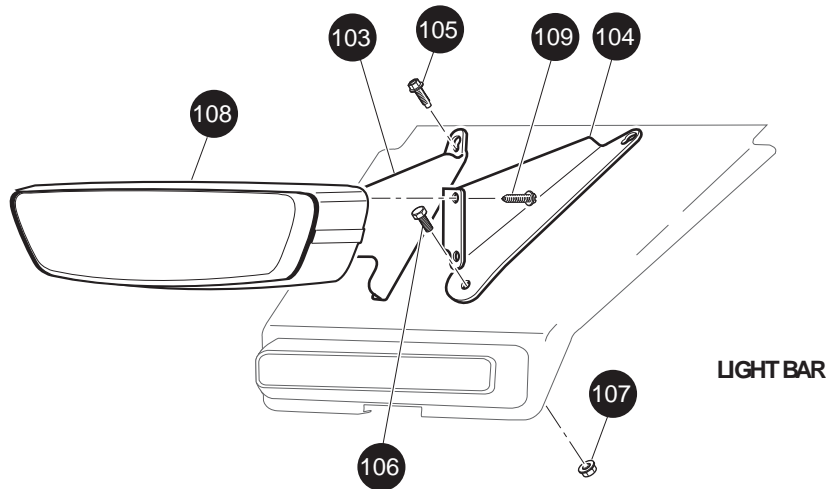
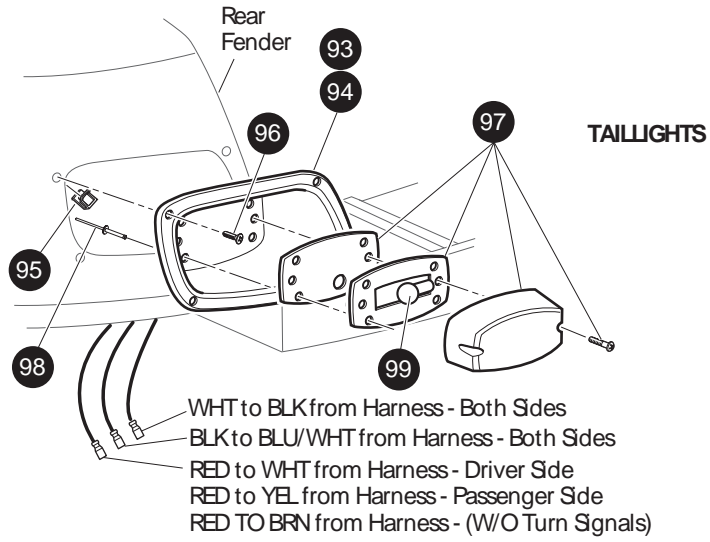
80 - Includes Items 81 - 85



HORN BUTTON



ELECTRICAL



Where applicable, THE USE OF NON UL PARTS WILL VOID ANY UL LISTING.

When ordering parts, please specify the model and serial number of the product.

* Indicates a component that is not available as an individual part.

G**/** Indicates consult Customer Service Department for additional information.

ITEM	PART NO.	1 2 3 4 5	DESCRIPTION	QTY.
1	***		8 VOLT BATTERY T 890.....	6
2				
3				
4	01101G01		HOLD DOWN BOLT (STAINLESS STEEL).....	2
5	612867		BATTERY RETAINER	1
6	11027G1		LOCK NUT, 5/16" - 18	2
7	613236		6 AWG WIRE, BLUE 380mm (15").....	4
8	613237		6 AWG WIRE, BLUE 150mm (5.90").....	1
9	00702G2		NUT, 5/16" - 18.....	12
10	10570G11		RIVET, 3/16" X 0.70"	1
11				
12				
13	613304		CHARGER RECEPTACLE 48V	1
14	*		CHARGER HARNESS.....	1
15	620964		MAIN WIRE HARNESS, VPS 48V.....	1
16				
17				
18	632275		BATTERY FILL SYSTEM (TROJAN) (INCLUDES ITEMS 19 - 20).....	1
19	632278		MANIFOLD, 8V, TWIST-IN	6
20	614457		SNAKE, HYDROLINK.....	1
21	632276		BATTERY FILL SYSTEM (US BAT) (INCLUDES ITEMS 22 - 23)	1
22	632277		MANIFOLD, 8V, TWIST-IN	6
23	614457		SNAKE, HYDROLINK.....	1
24				
25				
26				
27	71055G01		RIVET, 3/16" X 1" LG (ALUMINUM).....	4
28	17618G1		WIRE TIE	12
29				
30				

ELECTRICAL

Where applicable, THE USE OF NON UL PARTS WILL VOID ANY UL LISTING.

When ordering parts, please specify the model and serial number of the product.

* Indicates a component that is not available as an individual part.

G**/** Indicates consult Customer Service Department for additional information.

ITEM	PART NO.	1 2 3 4 5	DESCRIPTION	QTY.
31				
32	27327G02		CABLE CLAMP	1
33				
34	620422		SPEED SENSOR	1
35	73277G01		RETAINING RING	1
36				
37				
38	00993G01		LOCK WASHER, 5/16" (SILICON BRONZE)	2
39	28418G01		NUT, 5/16" - 18" (BRASS)	2
40				
41				
42	00114G6		SCREW, 5/16" - 18	1
43	16469G1		FENDER WASHER, 1/4"	1
44				
45	22674G1		FUSE BLOCK	1
46	01041G01		RIVET, 1/8" X 13/16" LG	2
47	18392G1		15 AMP FUSE	AR
48				
49				
50				
51	32860G1		HORN	1
52	00414G5		BOLT, 1/4 - 20 X 5/8" LG	1
53	01110G01		WASHER, 1/4" FL	1
54	14390G4		LOCK NUT, 1/4 - 20	1
55	17318G1		HORN SWITCH	1
56	17318G2		HORN SWITCH CAP AND NUT	1
57	27068G01		HORN SWITCH BOOT	1
58	19233G1		HORN SWITCH LABEL	1
59	71055G01		RIVET, 3/16" X 1" LG (ALUMINUM)	2
60				

Where applicable, THE USE OF NON UL PARTS WILL VOID ANY UL LISTING.

When ordering parts, please specify the model and serial number of the product.

* Indicates a component that is not available as an individual part.

G**/** Indicates consult Customer Service Department for additional information.

ITEM	PART NO.	1 2 3 4 5	DESCRIPTION	QTY.
61				
62	75113G02		HOUR METER KIT (INCLUDES ITEMS 63 - 67).....	1
63	620133		HOUR METER.....	1
64	74716G01		HOUR METER BRACKET.....	1
65	74696G01		RETAINER CLIP.....	1
66	10570G11		RIVET.....	2
67	75117G01		WIRE HARNESS (HOUR METER).....	1
68				
69				
70				
71	17421G1		KEY SWITCH KIT (W/O LIGHTS - STANDARD - WITH HARDWARE).....	1
72				
73	18027G1		KEY SWITCH (WITHOUT LIGHTS - INDIVIDUALLY KEYED).....	1
74	33639G**		KEY SWITCH (WITH LIGHTS).....	1
75	00568G6		LOCK WASHER, 3/4".....	1
76	17137P1		FACE NUT, 3/4 - 20.....	1
77	17063G1		KEY (SET).....	1
78				
79				
80	75107G02		TURN SIGNAL KIT (INCLUDES ITEMS 81 - 85).....	1
81	611810		TURN SIGNAL (WITH MOUNTING HARDWARE).....	1
82	21640G1		TURN SIGNAL FLASHER.....	1
83	32307G3		FLEX LOOM, 3/8" X 8" LG.....	1
84	17618G1		WIRE TIE.....	2
85	20965G3		STEERING COLUMN COVER.....	1
86				
87				
88				
89	73043G01		WIRE HARNESS (ACCESSORY).....	1
90				

ELECTRICAL

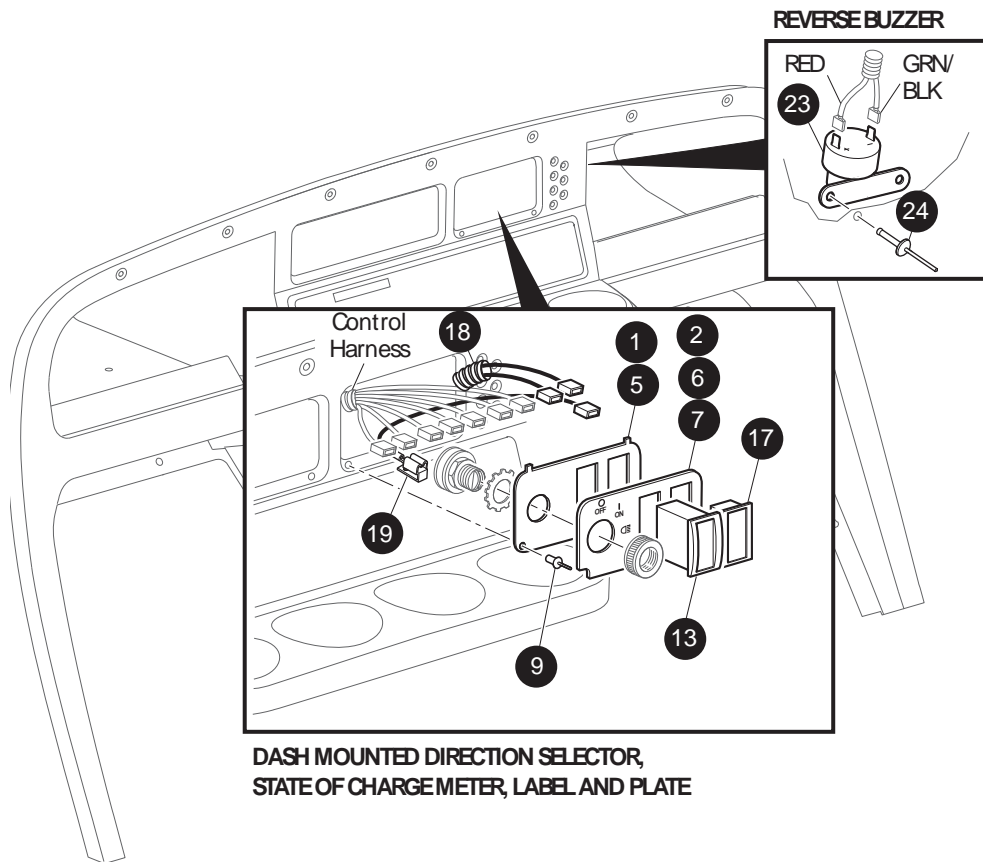
Where applicable, THE USE OF NON UL PARTS WILL VOID ANY UL LISTING.

When ordering parts, please specify the model and serial number of the product.

* Indicates a component that is not available as an individual part.

G**/** Indicates consult Customer Service Department for additional information.

ITEM	PART NO.	1 2 3 4 5	DESCRIPTION	QTY.
91				
92				
93	74371G01		BEZEL (DRIVER SIDE).....	1
94	74371G02		BEZEL (PASSENGER SIDE)	1
95	71364G02		'J' CLIP	8
96	71425G01		COUNTERSUNK SCREW, #8	8
97	610416		BRAKE / TAILLIGHT LAMP.....	1
98	14601G11		RIVET, 3/16" X 9/16" LG (ALUMINUM).....	4
99	21759G1		TAILLIGHT BULB	AR
100				
101				
102				
103	74236G03		HEADLIGHT MOUNT BRACKET (PASSENGER SIDE).....	1
104	74236G04		HEADLIGHT MOUNT BRACKET (DRIVER SIDE)	1
105	01038G01		BOLT, 1/4 - 20 X 11/16" LG	2
106	00414G6		BOLT, 1/4 - 20 X 3/4" LG	2
107	11027G2		LOCK NUT, 1/4 - 20	2
108	74001G01		HEADLIGHT AND TURN SIGNAL LIGHT	1
109	00114-G6		SCREW, 1/4 - 14 X 3/4" LG.....	4
110				
111				
112				
113	74004G01		HEAD LIGHT BULB	AR
114	74005G01		MARKER LIGHT BULB	AR
115	74006G01		TURN SIGNAL BULB.....	AR



**DASH MOUNTED DIRECTION SELECTOR,
STATE OF CHARGE METER, LABEL AND PLATE**

ELECTRICAL

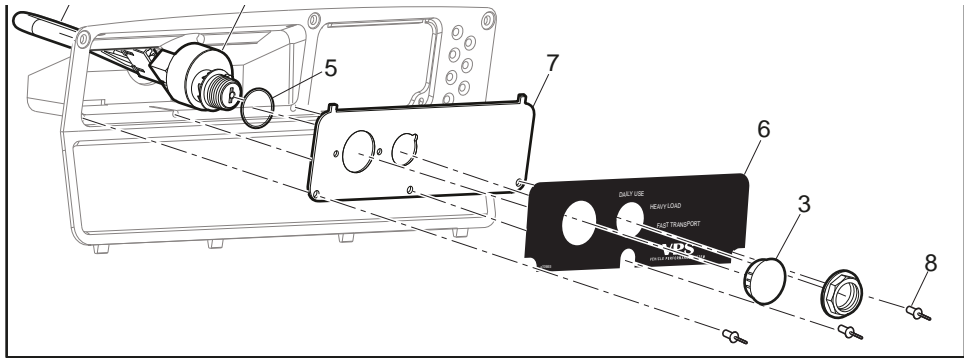
Where applicable, THE USE OF NON UL PARTS WILL VOID ANY UL LISTING.

When ordering parts, please specify the model and serial number of the product.

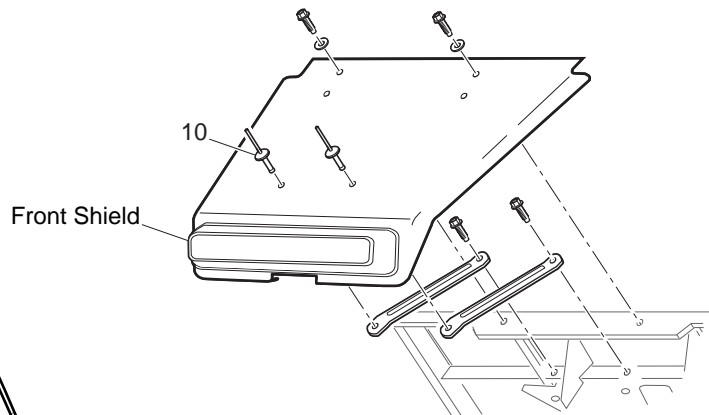
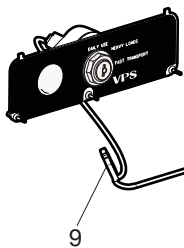
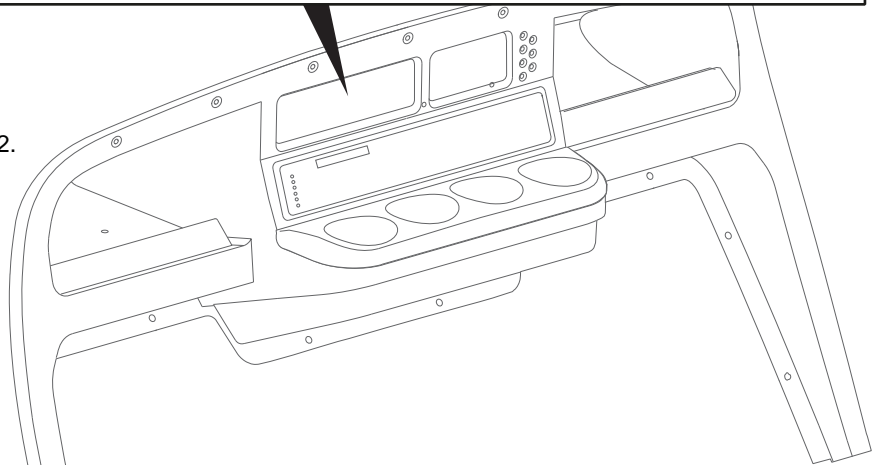
* Indicates a component that is not available as an individual part.

G**/** Indicates consult Customer Service Department for additional information.

ITEM	PART NO.	1 2 3 4 5	DESCRIPTION	QTY.
1	601016		PLATE (KEY SWITCH, DIRECTION SELECTOR)	1
2	74316G01		LABEL (KEY SWITCH WITHOUT LIGHTS, DIRECTION SELECTOR).....	1
3				
4				
5	73030G06		PLATE (KEY SWITCH, DIRECTION SELECTOR, CHARGE METER)	1
6	74320G01		LABEL (KEY SWITCH WITHOUT LIGHTS, DIRECTION SELECTOR, CHARGE METER)	1
7	74322G01		LABEL (KEY SWITCH WITH LIGHTS, DIRECTION SELECTOR, CHARGE METER)	1
8				
9	33623G02		DRIVE RIVET, 3/16" X 3/8" LG	2
10				
11				
12				
13	74323G01		DIRECTION SELECTOR SWITCH (DASH MOUNTED).....	1
14				
15				
16				
17	33636G04		STATE OF CHARGE METER (VERTICAL)	1
18	74018G01		WIRE HARNESS (STATE OF CHARGE METER)	1
19	25978G74		18 GA WIRE (RED 6").....	1
20				
21				
22				
23	73290G02		REVERSE WARNING BUZZER (CONTINUOUS TONE)	1
24	01041G01		RIVET, 1/8" X 13/16" LG	2



Items 1 & 11 are not shown.
1 includes items 2 - 10.
11 includes items 2 -10 & 12.



Front Shield



ELECTRICAL

Where applicable, THE USE OF NON UL PARTS WILL VOID ANY UL LISTING.

When ordering parts, please specify the model and serial number of the product.

* Indicates a component that is not available as an individual part.

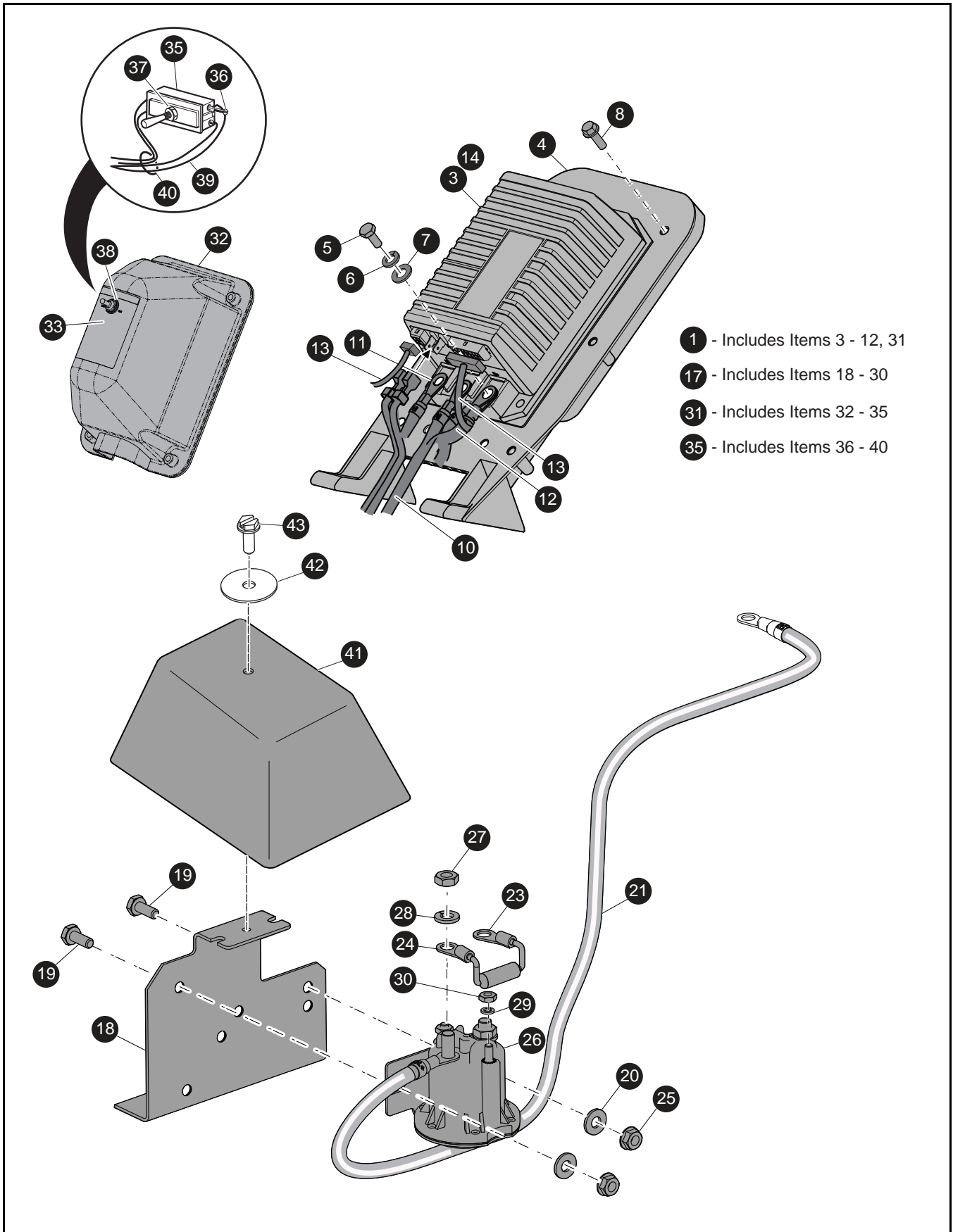
G**/** Indicates consult Customer Service Department for additional information.

ITEM	PART NO.	1 2 3 4 5	DESCRIPTION	QTY.
1	617187		SVC-KIT, VPS WITH MAIN PLUG (INCLUDES 2-10) (For TXT Freedom 48V DC and TXT 2+2 48V DC)	1
2	617185		VPS WIRE HARNESS, 48V DC	1
3	20271-G10		HOLE PLUG, 1.125.....	1
4	606527		VPS KEYSWITCH	1
5	21809G1		WASHER	1
6	617186		VPS DECAL.....	1
7	606523		CONSOLE PLATE	1
8	33623-G02		DRIVE RIVET, 3/16" X 3/8" LG	3
9	17618-G1		NYLON CLAMP	6
10	01057-G01		KTR RIVET	2
11	617188		SVC-KIT, VPS W/O MAIN PLUG (INCLUDES 2-10 and 12) (For TXT FLEET 48V DC)	1
12	617184		SVC- HARNESS, VPS ADAPTER.....	1

Notes:

A large grid area for taking notes, consisting of many small squares. The grid is approximately 30 columns wide and 40 rows high, providing a structured space for handwritten notes or diagrams.

ELECTRONIC SPEED CONTROL



ELECTRONIC SPEED CONTROL

Where applicable, THE USE OF NON UL PARTS WILL VOID ANY UL LISTING.

When ordering parts, please specify the model and serial number of the product.

* Indicates a component that is not available as an individual part.

G** Indicates consult Customer Service Department for additional information.

ITEM	PART NO.	1	2	3	4	5	DESCRIPTION	QTY.
1	612756						ELECTRONIC SPEED CONTROL ASSEMBLY 48 V (INCLUDES ITEMS 3 - 12, 31).....	1
2								
3	612632						CONTROLLER, 48V	1
4	73471G01						HEATSINK	1
5	73296G01						BOLT, 8MM	3
6	00565G8						LOCK WASHER, 5/16"	3
7	01110G01						FLAT WASHER, 5/16"	3
8	71102G01						BOLT, 1/4 - 20 X 3/4" LG.....	3
9								
10	73106G01						WIRE HARNESS (POWER)	1
11	620437						WIRE, BLUE 6.755MM, 6 AWG.....	1
12	620432						WIRE, GREEN 400MM, 6 AWG	1
13	620196						MAIN HARNESS	1
14	615357						CONTROLLER, 48V (FOR FREEDOM ONLY).....	1
15								
16								
17	613104						SOLENOID ASSEMBLY (INCLUDES ITEMS 18 - 30).....	1
18	73057G01						BRACKET	1
19	00414G5						BOLT 1/4" - 20	2
20	01110G01						FLAT WASHER, 5/16"	2
21	607592						WIRE ASSEMBLY, 4AWG, GREEN, 706MM.....	1
22	620430						RESISTOR ASSEMBLY 500 OHM	1
23	23195G1						RING TERMINAL	2
24	620430						RESISTOR, 500 OHM, 6.5W	1
25	11027G02						FLANGED NUT, 1/4" -20	2
26	614307						SOLENOID 48V	1
27	00544G4						LOCK NUT, 5/16 - 18	2
28	00565G8						LOCK WASHER, 5/16".....	2
29	00565G5						LOCK WASHER, #10.....	2

ELECTRONIC SPEED CONTROL

Where applicable, THE USE OF NON UL PARTS WILL VOID ANY UL LISTING.

When ordering parts, please specify the model and serial number of the product.

* Indicates a component that is not available as an individual part.

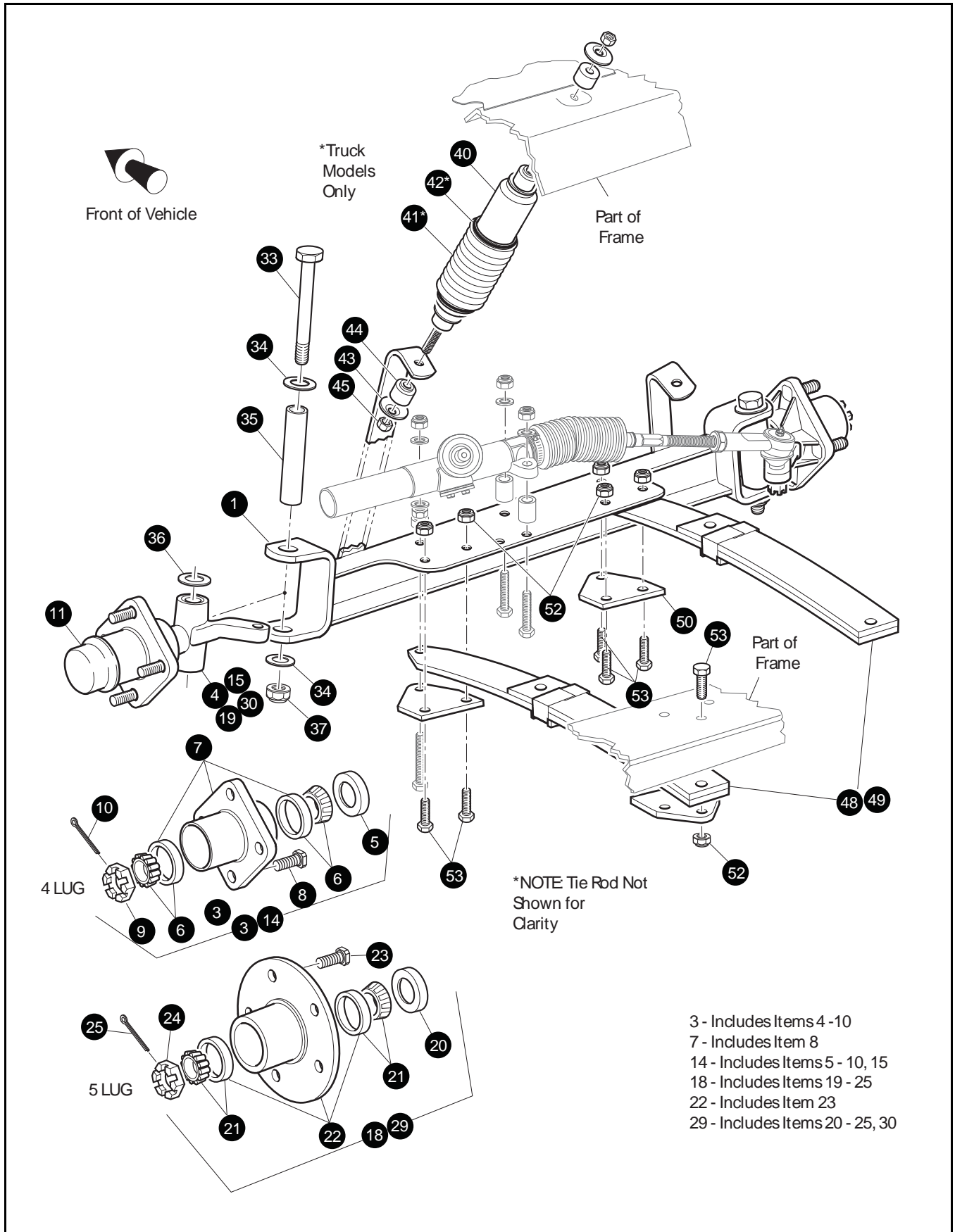
G** Indicates consult Customer Service Department for additional information.

ITEM	PART NO.	1	2	3	4	5	DESCRIPTION	QTY.
30	00526G4						LOCK NUT, #10.....	2
31	612753						COVER ASSEMBLY (INCLUDES ITEMS 32 - 35)	1
32	73482G01						COVER (WITH GASKET)	1
33	613048						LABEL (TOW SWITCH)	1
34								
35	73125G01						TOGGLE SWITCH WITH SEAL (INCLUDES ITEMS 36 - 40)	1
36	*						SCREW, #5 - 40.....	4
37	*						NUT, 15/32 - 32.....	1
38	73139G01						SEALED NUT, 15/32 - 32.....	1
39	73138G02						WIRE HARNESS (TOW SWITCH)	1
40	17618G1						WIRE TIE	1
41	73049G01						COVER	1
42	16469G1						FLAT WASHER	1
43	00114G6						SCREW HEX SOLTTED HEAD	1

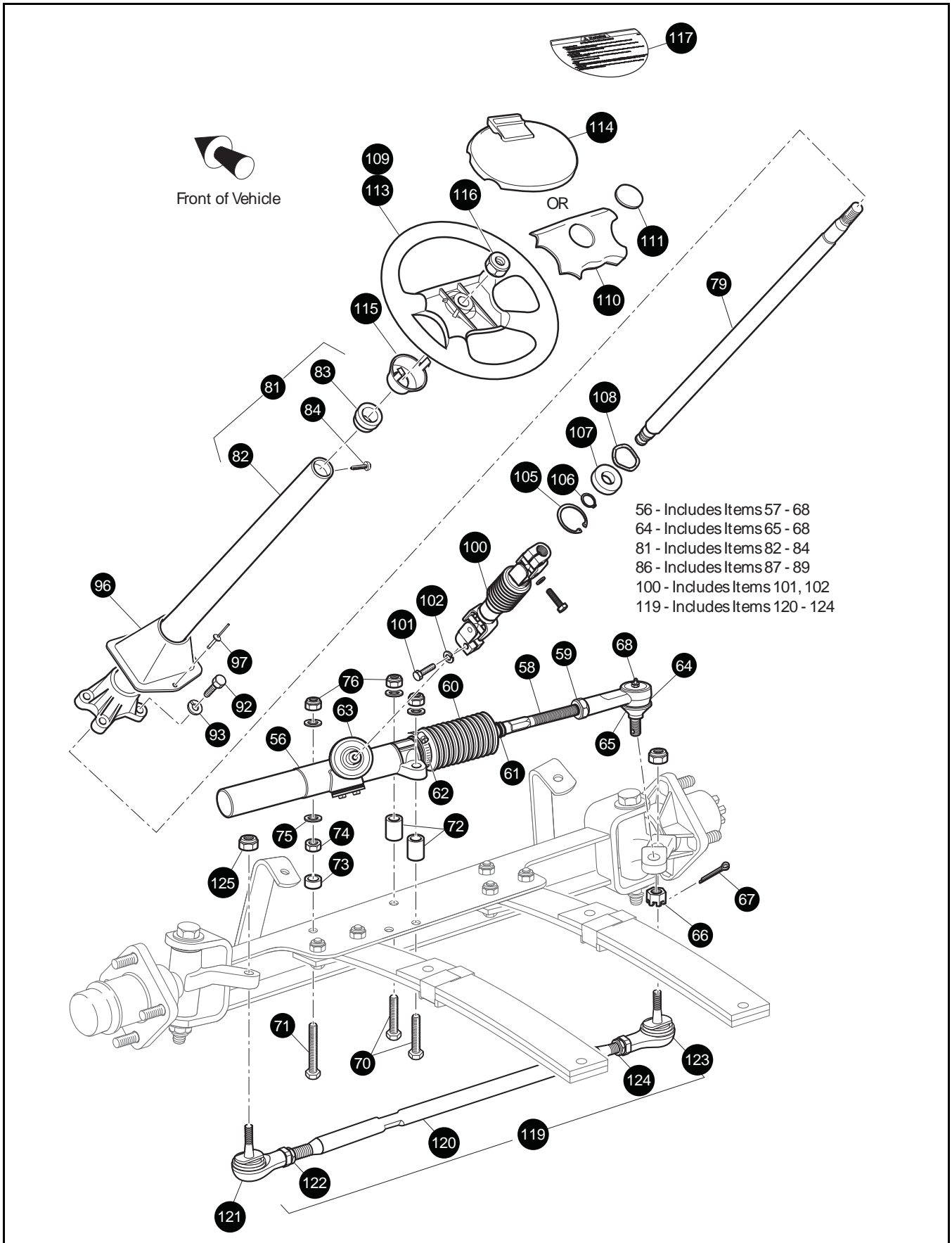
Notes:

A large grid of graph paper for taking notes, consisting of 20 columns and 30 rows of small squares.

FRONT SUSPENSION & STEERING



FRONT SUSPENSION & STEERING



FRONT SUSPENSION & STEERING

Where applicable, THE USE OF NON UL PARTS WILL VOID ANY UL LISTING.

When ordering parts, please specify the model and serial number of the product.

* Indicates a component that is not available as an individual part.

G** Indicates consult Customer Service Department for additional information.

ITEM	PART NO.	1 2 3 4 5	DESCRIPTION	QTY.
1	602513		FRONT AXLE.....	1
2				
3	70942G01		SPINDLE AND HUB ASSEMBLY, 4 LUG (PASSENGER SIDE) (INCLUDES ITEMS 4 - 10)	1
4	70942G02		SPINDLE ASSEMBLY (PASSENGER SIDE)	1
5	25146G1		GREASE SEAL.....	1
6	50892G1		ROLLER BEARING AND RACE ASSEMBLY	2
7	70895G01		WHEEL HUB ASSEMBLY WITH RACES, 4 LUG (INCLUDES ITEM 8)	1
8	19862G1		LUG BOLT, 1/2" - 20 X 1 3/16" LG	4
9	12093G1		CASTELLATED NUT, 1" - 14	1
10	00798G8		COTTER PIN, 5/32" X 1 3/4" LG	1
11	12091G2		SPINDLE CAP	2
12				
13				
14	70673G03		SPINDLE AND HUB ASSEMBLY, 4 LUG (DRIVER SIDE) (INCLUDES ITEMS 5 - 10, 15)	1
15	70673G04		SPINDLE ASSEMBLY (DRIVER SIDE).....	1
16				
17				
18	70943G01		SPINDLE AND HUB ASSEMBLY, 5 LUG (PASSENGER SIDE) (INCLUDES ITEMS 19 - 25)	1
19	70942G02		SPINDLE ASSEMBLY (PASSENGER SIDE)	1
20	12092G1		GREASE SEAL.....	1
21	50892G1		ROLLER BEARING AND RACE ASSEMBLY	2
22	70772G01		WHEEL HUB ASSEMBLY WITH RACES, 5 LUG (INCLUDES ITEM 23)...	1
23	30143G1		LUG BOLT, 1/2" - 20 X 1 7/32" LG	5
24	12093G1		CASTELLATED NUT, 1" - 14	1
25	00798G8		COTTER PIN, 5/32" X 1 3/4" LG	1
26				
27				
28				

FRONT SUSPENSION & STEERING

Where applicable, THE USE OF NON UL PARTS WILL VOID ANY UL LISTING.

When ordering parts, please specify the model and serial number of the product.

* Indicates a component that is not available as an individual part.

G** Indicates consult Customer Service Department for additional information.

ITEM	PART NO.	1 2 3 4 5	DESCRIPTION	QTY.
29	70797G01		SPINDLE AND HUB ASSEMBLY, 5 LUG (DRIVER SIDE) (INCLUDES ITEMS 20 - 25, 30)	1
30	70673G02		SPINDLE ASSEMBLY (DRIVER SIDE)	1
31				
32				
33	00407G6		HEX HEAD BOLT, 1/2" - 13 X 6" LG.....	2
34	00560G3		FLAT WASHER, 1/2"	4
35	70745G01		KING PIN TUBE	2
36	70754G01		THRUST WASHER, 1" (STAINLESS STEEL).....	2
37	14390G6		LOCK NUT, 1/2" - 13.....	2
38				
39				
40	76419G01		SHOCK ABSORBER	2
41	70509G01		SHOCK ABSORBER BOOT	2
42	31539G1		WIRE TIE	4
43	10435G1		SHOCK ABSORBER WASHER	8
44	10194G1		RUBBER BUSHING	8
45	00532G6		HEX NUT, 3/8" - 24.....	4
46				
47				
48	70990G03		LEAF SPRING (SEE PART NUMBER ON SPRING)	2
49	70989G03		LEAF SPRING (HEAVY DUTY) (SEE PART NUMBER ON SPRING)	2
50	70163G03		SPRING PLATE	4
51				
52	00734G1		LOCK NUT, 7/16" - 14.....	11
53	00463G11		HEX HEAD BOLT, 7/16" - 14 X 1 3/4" LG.....	11
54				
55				
56	70964G02		RACK AND PINION UNIT (COMPLETE) (INCLUDES ITEMS 57 - 68)	1
57	*		STEERING BOX INSTALLATION TAG	1

FRONT SUSPENSION & STEERING

Where applicable, THE USE OF NON UL PARTS WILL VOID ANY UL LISTING.

When ordering parts, please specify the model and serial number of the product.

* Indicates a component that is not available as an individual part.

G** Indicates consult Customer Service Department for additional information.

ITEM	PART NO.	1	2	3	4	5	DESCRIPTION	QTY.
58	70694G01						RACK EXTENSION	1
59	*						JAM NUT, 1/2" - 20	1
60	70961G01						RACK BOOT	1
61	12416G2						WIRE TIE	1
62	11391G8						CLAMP, 1 13/16" - 2 3/8"	1
63	70638G01						PINION SEAL	1
64	70695G01						RACK BALL JOINT (INCLUDES ITEMS 65 - 68)	1
65	50641G1						RUBBER BOOT	1
66	50209G2						CASTELLATED NUT, 7/16 - 20	1
67	10387G2						COTTER PIN, 3/32" X 1" LG	1
68	10389G3						GREASE FITTING, STRAIGHT	1
69								
70	00464G6						HEX HEAD BOLT, 7/16" - 14 X 2 3/4" LG	2
71	01068G01						HEX HEAD BOLT, 7/16" - 14 X 3 1/2" LG	1
72	70667G02						SPACER, 1.21" LG	2
73	70667G04						SPACER (SHORT), 0.69" LG	1
74	00532G7						HEX NUT, 7/16" - 14	1
75	00560G2						FLAT WASHER, 7/16"	4
76	00734G1						LOCK NUT, 7/16" - 14	3
77								
78								
79	70607G01						STEERING SHAFT	1
80								
81	70758G05						STEERING COLUMN KIT (INCLUDES ITEMS 82 - 84)	1
82	70610G03						STEERING COLUMN	1
83	28569G01						STEERING COLUMN BUSHING	1
84	01022G01						HEX WASHER HEAD SCREW, #6 - 20 X 5/16" LG	1
85								
86								
87								

FRONT SUSPENSION & STEERING

Where applicable, THE USE OF NON UL PARTS WILL VOID ANY UL LISTING.

When ordering parts, please specify the model and serial number of the product.

* Indicates a component that is not available as an individual part.

G** Indicates consult Customer Service Department for additional information.

ITEM	PART NO.	1 2 3 4 5	DESCRIPTION	QTY.
88				
89				
90				
91				
92	01006G01		HEX WASHER HEAD BOLT, 3/8" - 16 X 1 1/4" LG.....	4
93	00879G1		LOCK WASHER, 3/8".....	4
94				
95				
96	70997G01		COVER.....	1
97	71055G01		RIVET, 3/16" X 1" LG (ALUMINUM).....	1
98				
99				
100	70580G01		INTERMEDIATE SHAFT (INCLUDES ITEMS 101, 102).....	1
101	01055G01		HEX HEAD BOLT, M8 X 1.25 - 6G	2
102	00565G8		LOCK WASHER, 5/16"	2
103				
104				
105	70751G01		RETAINING RING (INTERNAL).....	1
106	70888G01		RETAINING RING (EXTERNAL).....	1
107	15112G1		BALL BEARING	1
108	70887G01		WAVE WASHER.....	1
109	602979		STEERING WHEEL	1
110	71147G01		STEERING WHEEL COVER	1
111	71047G01		LABEL (E-Z-GO)	1
112				
113	602979		STEERING WHEEL	1
114	607925		CLIPBOARD.....	1
115	71949G01		HUB COVER	1
116	14390G2		LOCK NUT, 5/8" - 18	1
117	608529		WARNING LABEL.....	1

FRONT SUSPENSION & STEERING

Where applicable, THE USE OF NON UL PARTS WILL VOID ANY UL LISTING.

When ordering parts, please specify the model and serial number of the product.

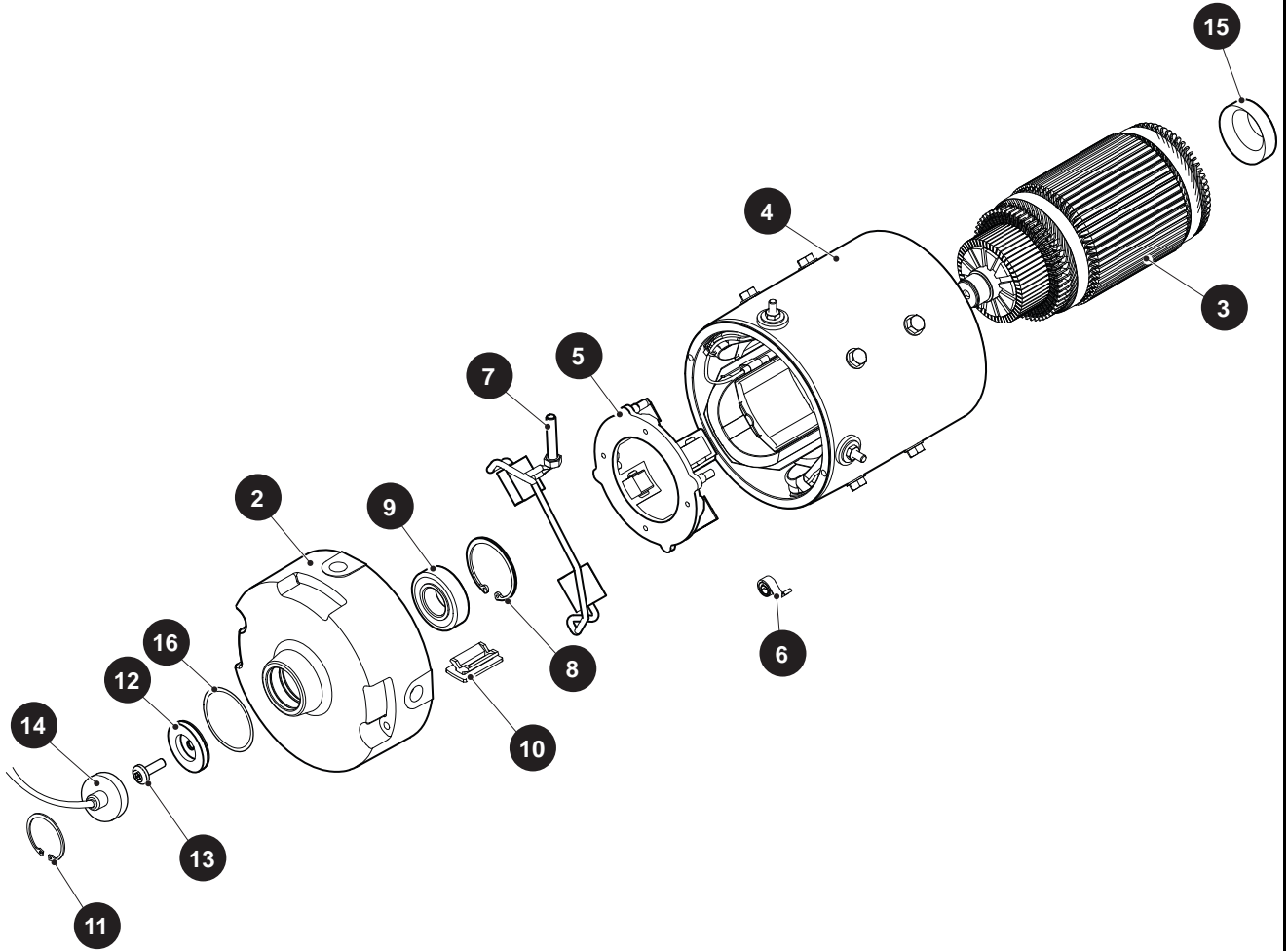
* Indicates a component that is not available as an individual part.

G** Indicates consult Customer Service Department for additional information.

ITEM	PART NO.	1 2 3 4 5	DESCRIPTION	QTY.
118				
119	70876G02		TIE ROD ASSEMBLY (INCLUDES ITEMS 120 - 124)	1
120	70897G02		THREADED ROD (24" LG).....	1
121	70902G01		TIE ROD END (LEFT HAND THREADS)	1
122	01069G01		JAM NUT, M12 X 1.25 - 05 (LEFT HAND THREADS).....	1
123	70902G02		TIE ROD END (RIGHT HAND THREADS).....	1
124	01069G02		JAM NUT, M12 X 1.25 - 05 (RIGHT HAND THREADS)	1
125	00734G1		LOCK NUT, 7/16" - 14	2

MOTORS

1 Motor Includes Items 2 - 10

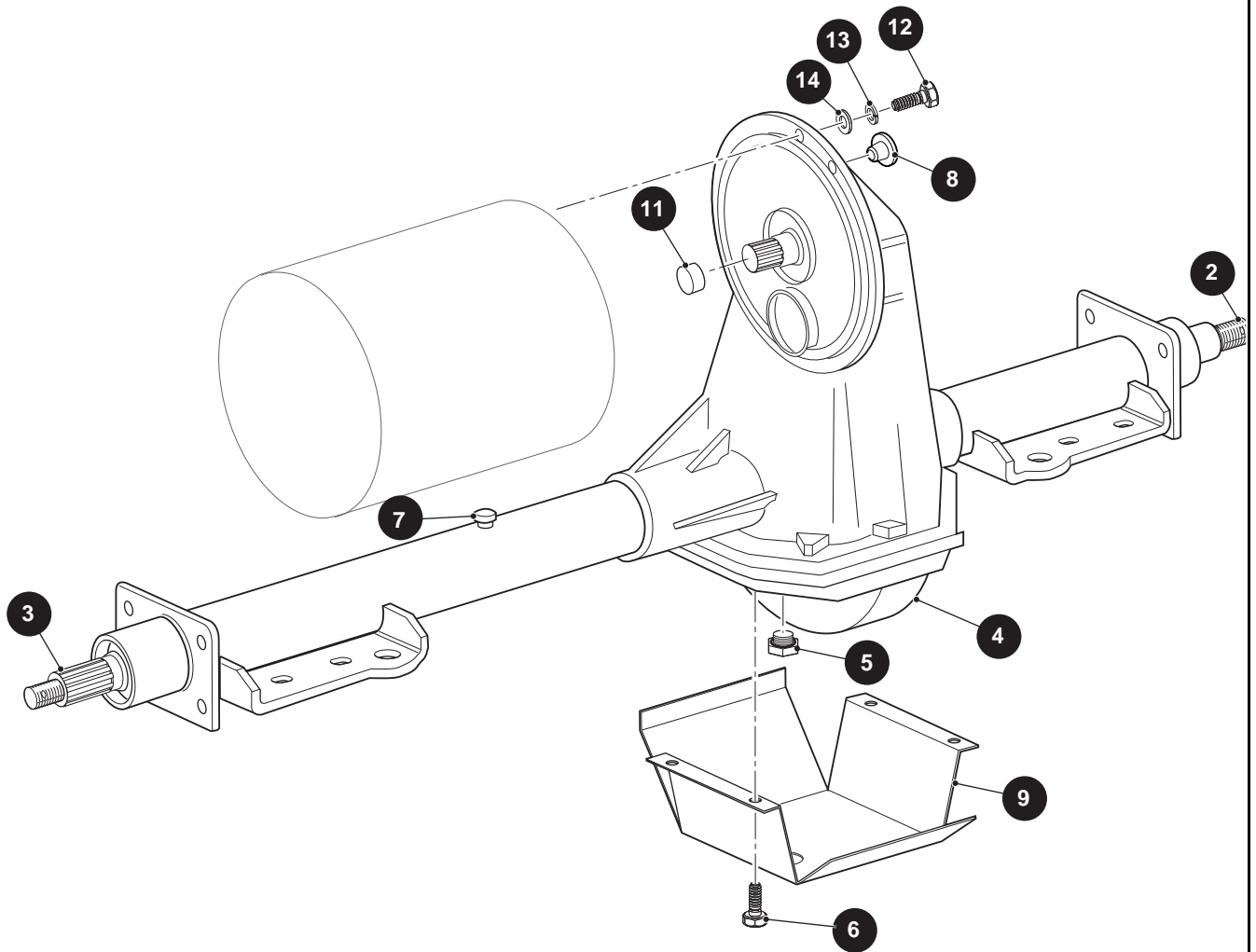


Where applicable, THE USE OF NON UL PARTS WILL VOID ANY UL LISTING.
 When ordering parts, please specify the model and serial number of the product.
 * Indicates a component that is not available as an individual part.
 G** Indicates consult Customer Service Department for additional information.

ITEM	PART NO.	1 2 3 4 5	DESCRIPTION	QTY.
1	624105		MOTOR 48V (INCLUDES ITEMS 2 - 10)	1
2	625886		COMMUNTATOR END HEAD	1
3	626171		ARMATURE	1
4	626172		FRAME AND FILED ASSEMBLY	1
5	625884		BRUSH BOX ASSEMBLY.....	1
6	73120G03		BRUSH SPRING.....	4
7	73120G25		BRUSH AND TERMINAL SERVICE KIT	1
8	73120G06		RETAINING RING.....	1
9	73120G07		BEARING.....	1
10	625885		COVER	1
11	73277G01		RETAINING RING	1
12	73328G01		SPEED SENSOR MAGNET.....	1
13	01037G02		SCREW	1
14	620422		SPEED SENSOR HARNESS.....	1
15	24261G1		BUMPER SPLINE	1
16	624109		O-RING	1

REAR AXLE

1 - REAR AXLE ASSEMBLY includes items 2 - 7

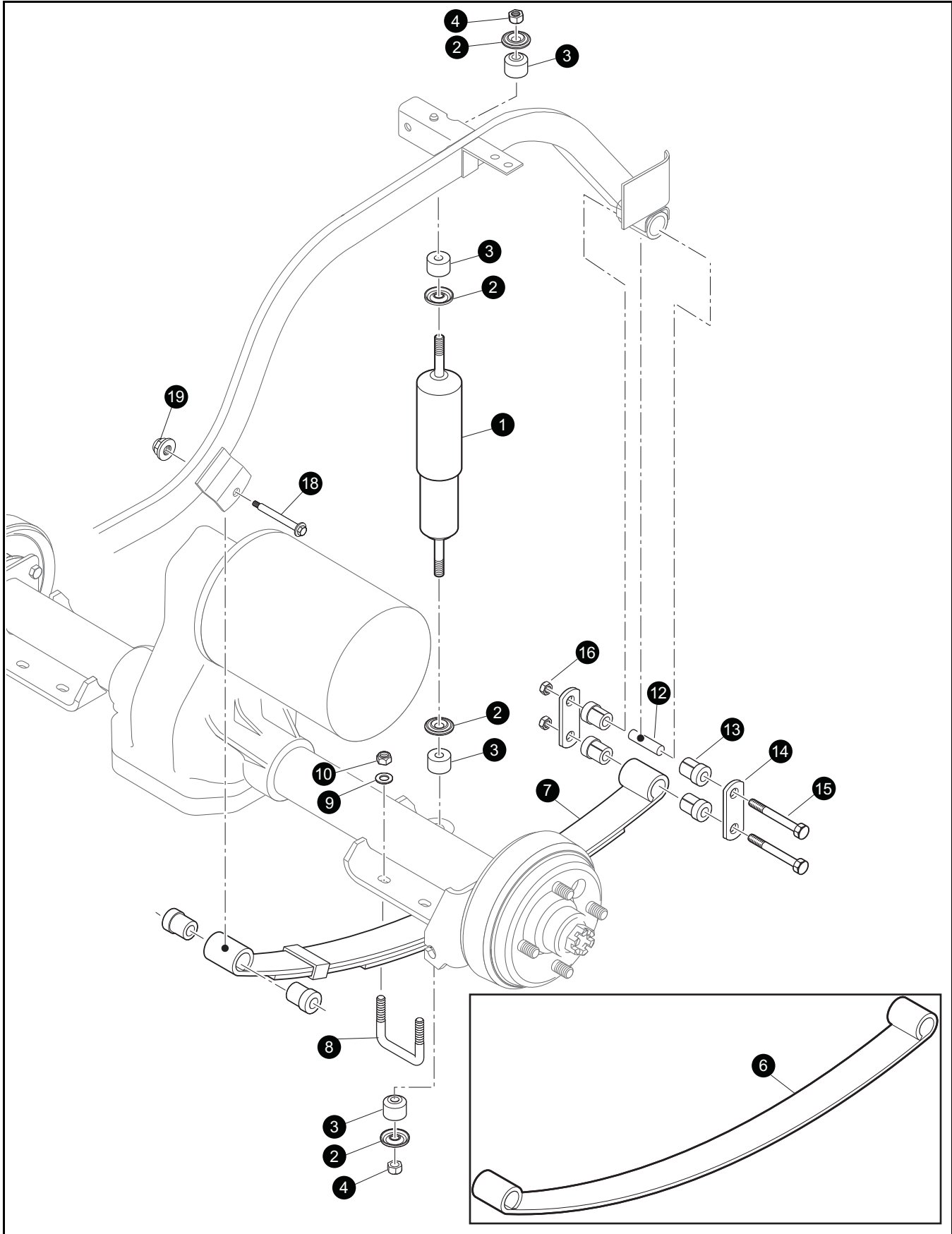


REAR AXLE

Where applicable, THE USE OF NON UL PARTS WILL VOID ANY UL LISTING.
 When ordering parts, please specify the model and serial number of the product.
 * Indicates a component that is not available as an individual part.
 G** Indicates consult Customer Service Department for additional information.

ITEM	PART NO.	1 2 3 4 5	DESCRIPTION	QTY.
1	73500G01		REAR AXLE ASSEMBLY (INCLUDES ITEMS 2 - 7)	1
2	20377G12		AXLE SHAFT (PASSENGER SIDE)	1
3	20377G11		AXLE SHAFT (DRIVER SIDE).....	1
4	*		DIFFERENTIAL COVER.....	1
5	28610G01		FILL PLUG WITH 'O' RING.....	1
6	15558G1		BOLT, 5/16 - 18 X 3/4" LG.....	10
7	73050G01		VENT	1
8	624110		PLUG.....	3
9	72763G02		SCUFF GUARD	1
10				
11	24261G1		SPLINE BUMPER (SEE ELECTRIC MOTOR).....	1
12	00797G2		BOLT, 1/4 - 20 X 1 1/4" LG	3
13	00664G7		LOCK WASHER, 1/4"	3
14	01110G01		WASHER FLAT, 1/4"	3

REAR SUSPENSION



REAR SUSPENSION

Where applicable, THE USE OF NON UL PARTS WILL VOID ANY UL LISTING.

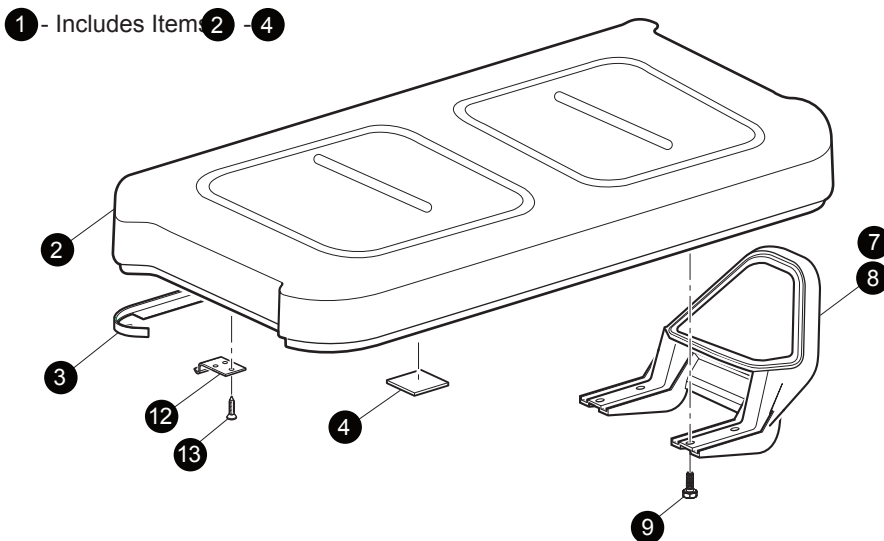
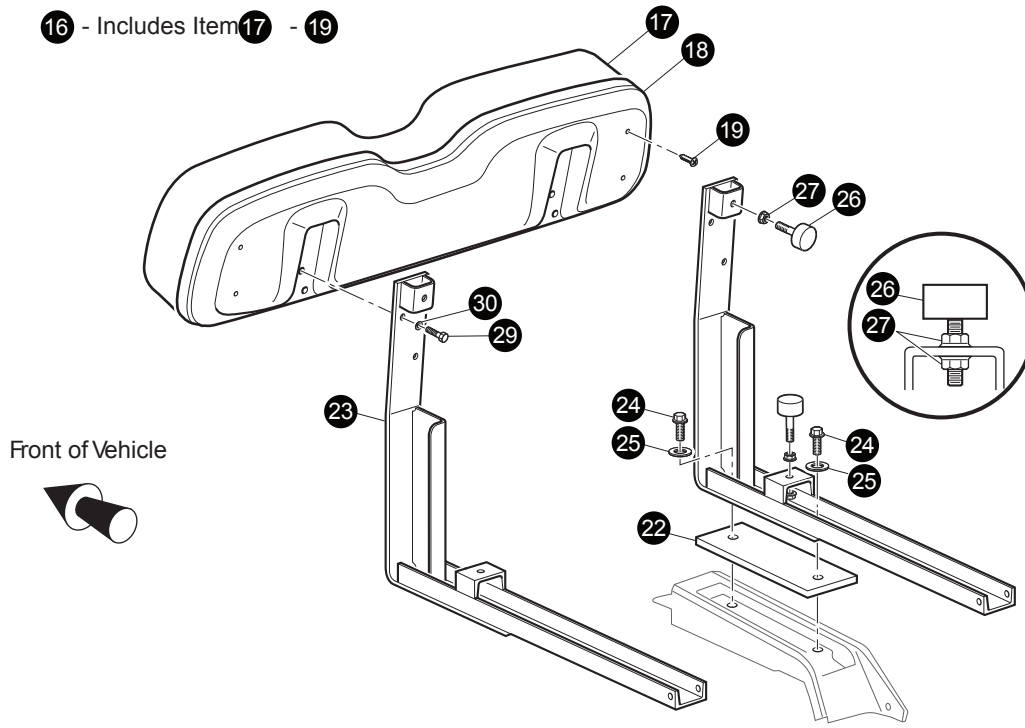
When ordering parts, please specify the model and serial number of the product.

* Indicates a component that is not available as an individual part.

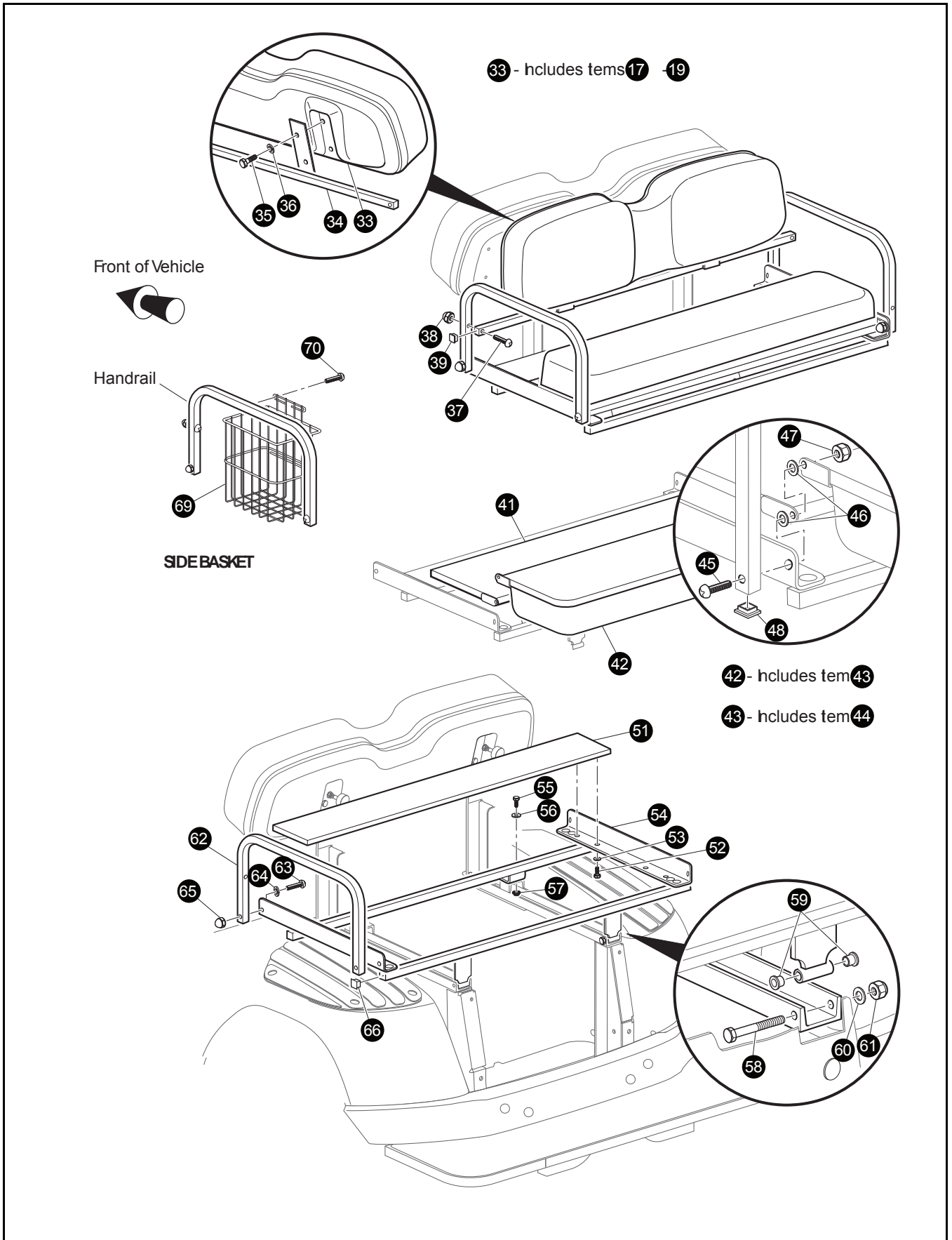
G** Indicates consult Customer Service Department for additional information.

ITEM	PART NO.	1 2 3 4 5	DESCRIPTION	QTY.
1	76418G01		SHOCK ABSORBER.....	2
2	10435G1		SHOCK ABSORBER WASHER.....	8
3	10194G1		RUBBER BUSHING.....	8
4	00532G6		HEX JAM NUT, 3/8" - 24.....	4
5				
6	634528		REAR LEAF SPRINGS (REPLACE LEFT & RIGHT SPRINGS SIMULTANEOUSLY).....	2
7	74207G03		LEAF SPRING, 4 LEAF.....	2
8	72618G01		'U' BOLT, 3/8" - 16 X 2" X 2 1/2" LG.....	4
9	00560G1		FLAT WASHER, 3/8".....	8
10	11098G5		LOCK NUT, 3/8" - 16.....	8
11				
12	70289G02		SPLIT STEEL SPACER.....	4
13	624030		FLANGED BUSHING.....	12
14	70290G02		SHACKLE PLATE.....	4
15	00665G9		HEX HEAD BOLT (SS), 3/8" - 16 X 3 1/2" LG.....	4
16	11098G5		LOCK NUT, 3/8" - 16.....	4
17				
18	14158G1		SHOULDER BOLT, 3/8" - 16 X 3 1/4" LG.....	2
19	12262G1		LOCK NUT, 3/8" - 16.....	2

SEATING - CONVERTIBLE CARRIER



SEATING - CONVERTIBLE CARRIER



SEATING - CONVERTIBLE CARRIER

Where applicable, THE USE OF NON UL PARTS WILL VOID ANY UL LISTING.

When ordering parts, please specify the model and serial number of the product.

* Indicates a component that is not available as an individual part.

G** Indicates consult Customer Service Department for additional information.

ITEM	PART NO.	1 2 3 4 5	DESCRIPTION	QTY.
1	71611G**		SEAT BOTTOM ASSEMBLY (INCLUDES ITEMS 2 - 4)	1
2	71602G**		VINYL SEAT BOTTOM COVER	1
3	71012G01		VINYL TRIM (SEAT BOTTOM)	1
4	17074G1		RUBBER PAD	2
5				
6				
7	71701G01		HIP RESTRAINT (PASSENGER SIDE)	1
8	71702G01		HIP RESTRAINT (DRIVER SIDE)	1
9	71204G01		BOLT, 1/4 - 20 X 7/8" LG	8
10				
11				
12	71610G01		SEAT HINGE	2
13	00720G08		SCREW, #12 - 14 X 1" LG (STAINLESS STEEL)	4
14				
15				
16	71751G**		SEAT BACK ASSEMBLY (INCLUDES ITEMS 17 - 19)	1
17	71753G**		VINYL SEAT BACK COVER	1
18	71752G01		PLASTIC SEAT BACK COVER	1
19	01107G01		SCREW, #8 X 5/8" LG (STAINLESS STEEL)	4
20				
21				
22	70364G01		SPACER	2
23	74111G01		SEAT BACK SUPPORT	2
24	01006G02		BOLT, 3/8 - 16 X 1 1/2" LG	4
25	00560G1		WASHER, 3/8"	4
26	70113G01		ADJUSTABLE BUMPER	2
27	11027G1		LOCK NUT, 5/16 - 18	2
28				
29	00661G8		BOLT, 1/4 - 20 X 1" LG (STAINLESS STEEL)	4
30	00664G7		LOCK WASHER, 1/4" (STAINLESS STEEL)	4

SEATING - CONVERTIBLE CARRIER

Where applicable, THE USE OF NON UL PARTS WILL VOID ANY UL LISTING.

When ordering parts, please specify the model and serial number of the product.

* Indicates a component that is not available as an individual part.

G** Indicates consult Customer Service Department for additional information.

ITEM	PART NO.	1 2 3 4 5	DESCRIPTION	QTY.
31				
32				
33	71751G**		SEAT BACK ASSEMBLY (INCLUDES ITEMS 17 - 19).....	1
34	75258G01		SEAT BACK SUPPORT	1
35	00661G8		BOLT, 1/4 - 20 X 0.75" LG (STAINLESS STEEL).....	4
36	00664G7		LOCK WASHER, 1/4" (STAINLESS STEEL)	4
37	16705G6		SCREW, 1/4 - 20 X 1 3/4" LG (STAINLESS STEEL)	2
38	00520G1		ACORN NUT, 1/4 - 20 (STAINLESS STEEL).....	2
39	75261G01		CAP-TUBE - 3/4 X 11 GA.....	2
40				
41	71062G01		BED	1
42	71063G**		SEAT BOTTOM ASSEMBLY (INCLUDES ITEM 43).....	1
43	75197G**		SEAT BOTTOM (INCLUDES ITEM 44)	1
44	75252G**		VINYL SEAT BOTTOM COVER.....	1
45	00762G6		SCREW, 5/16 - 18 X 1 1/4" LG (STAINLESS STEEL)	2
46	17255G1		WASHER, LK - SS - 5/16"	4
47	00891G3		NUT - ACCORN - SS - 5/16 - 18	2
48	19859G1		CAP-TUBE - 3/4 X 11 GA.....	4
49				
50				
51	71060G01		BED FRONT (INCLUDES MAT).....	1
52	00661G6		BOLT, 1/4 - 20 X 3/4" LG (STAINLESS STEEL).....	4
53	00559G8		WASHER - LK - SP - SS - 1/4"	4
54	75193G01		SUPPORT FRAME.....	1
55	00438G8		BOLT, 5/16 - 18 X 1" LG	2
56	00559G8		WASHER, 5/16"	2
57	11027G1		LOCK NUT, 5/16 - 18	2
58	00272G4		BOLT, 5/16 - 18 X 2 1/2" LG	2
59	17838G1		NYLON BUSHING.....	4
60	00559G8		WASHER, 5/16"	2

SEATING - CONVERTIBLE CARRIER

Where applicable, THE USE OF NON UL PARTS WILL VOID ANY UL LISTING.

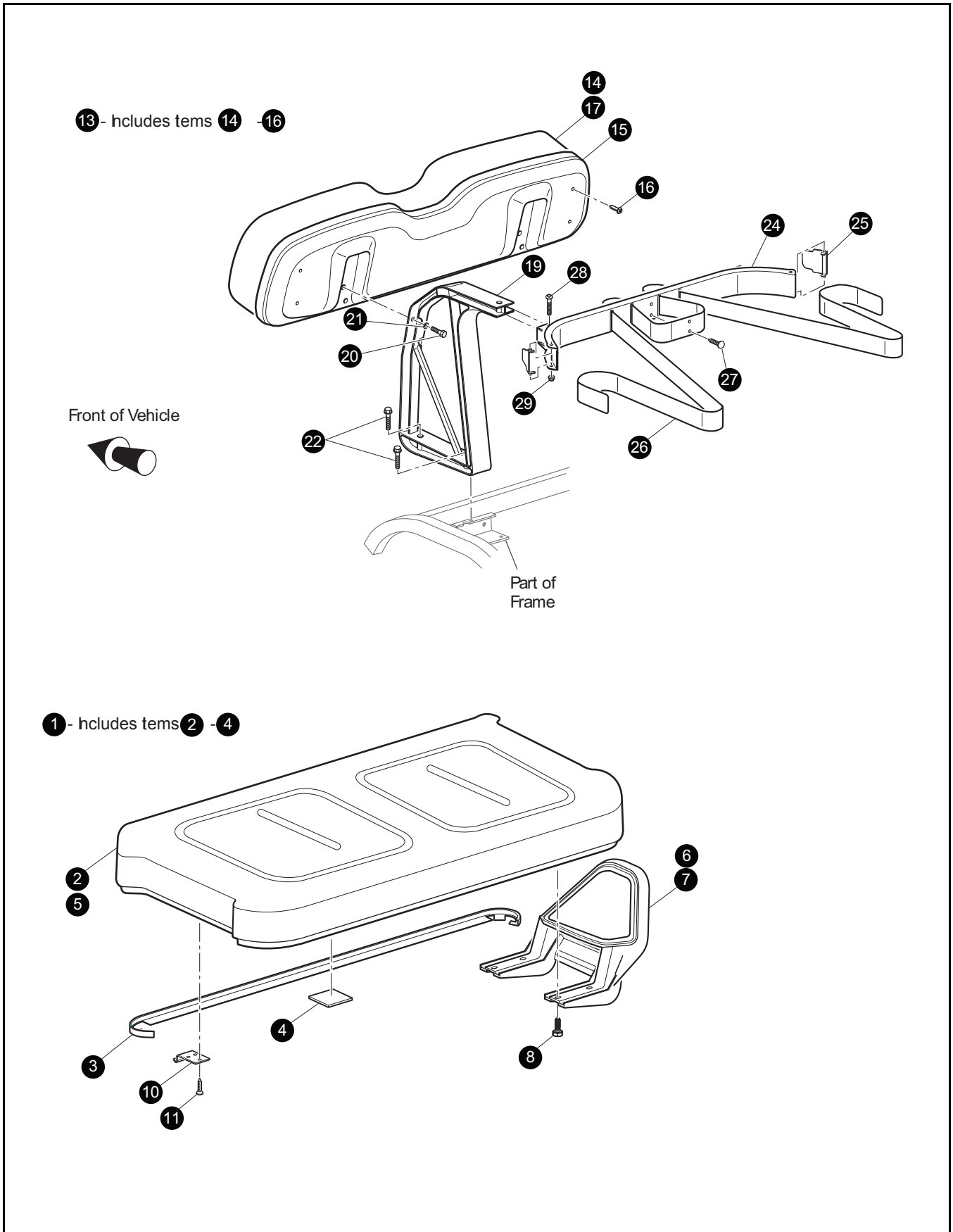
When ordering parts, please specify the model and serial number of the product.

* Indicates a component that is not available as an individual part.

G** Indicates consult Customer Service Department for additional information.

ITEM	PART NO.	1 2 3 4 5	DESCRIPTION	QTY.
61	11098G6		LOCK NUT, 5/16 - 18 (STAINLESS STEEL)	2
62	75196G01		HANDRAIL	2
63	00762G2		SCREW, 5/16 - 18 X 1 1/4" LG (STAINLESS STEEL)	2
64	00664G8		LOCK WASHER, 5/16" (STAINLESS STEEL)	2
65	00520G3		ACORN NUT, 5/16 - 18 (STAINLESS STEEL)	2
66	75261G02		END CAP, 1"	4
67				
68				
69	75007G02		SIDE BASKET (BLACK).....	2
70	00106G6		SELF THREADING SCREW, #12 - 24 X 3/4" LG	4

SEATING AND BAG HOLDER - GOLF CAR



SEATING AND BAG HOLDER - GOLF CAR

Where applicable, THE USE OF NON UL PARTS WILL VOID ANY UL LISTING.

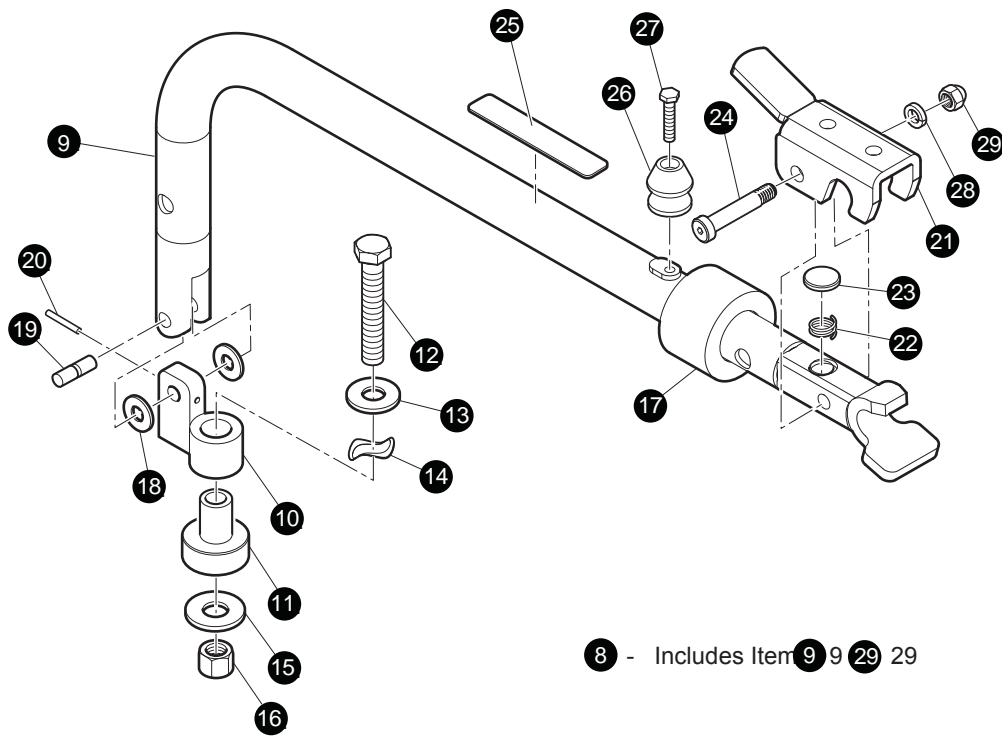
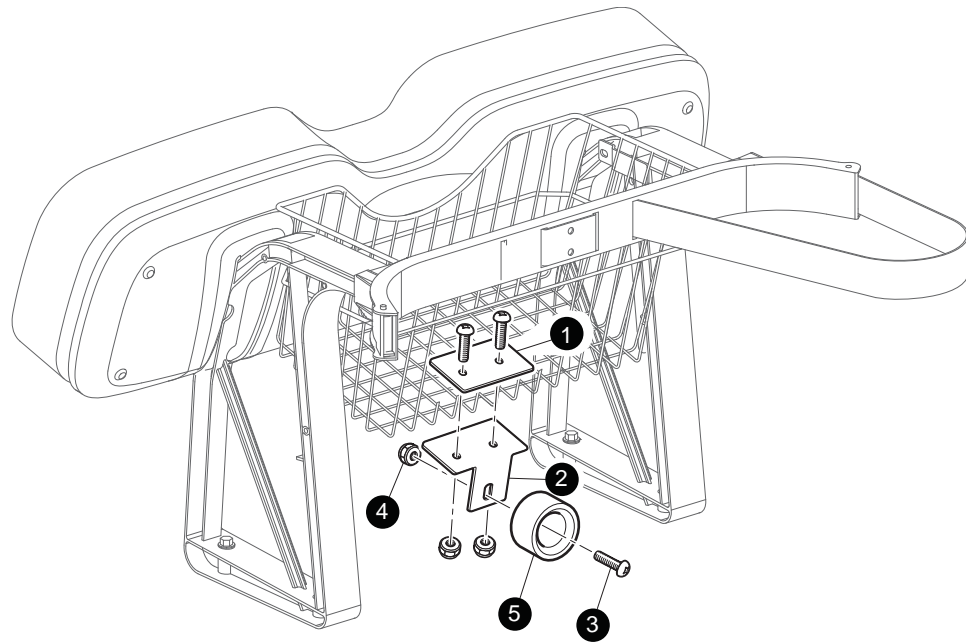
When ordering parts, please specify the model and serial number of the product.

* Indicates a component that is not available as an individual part.

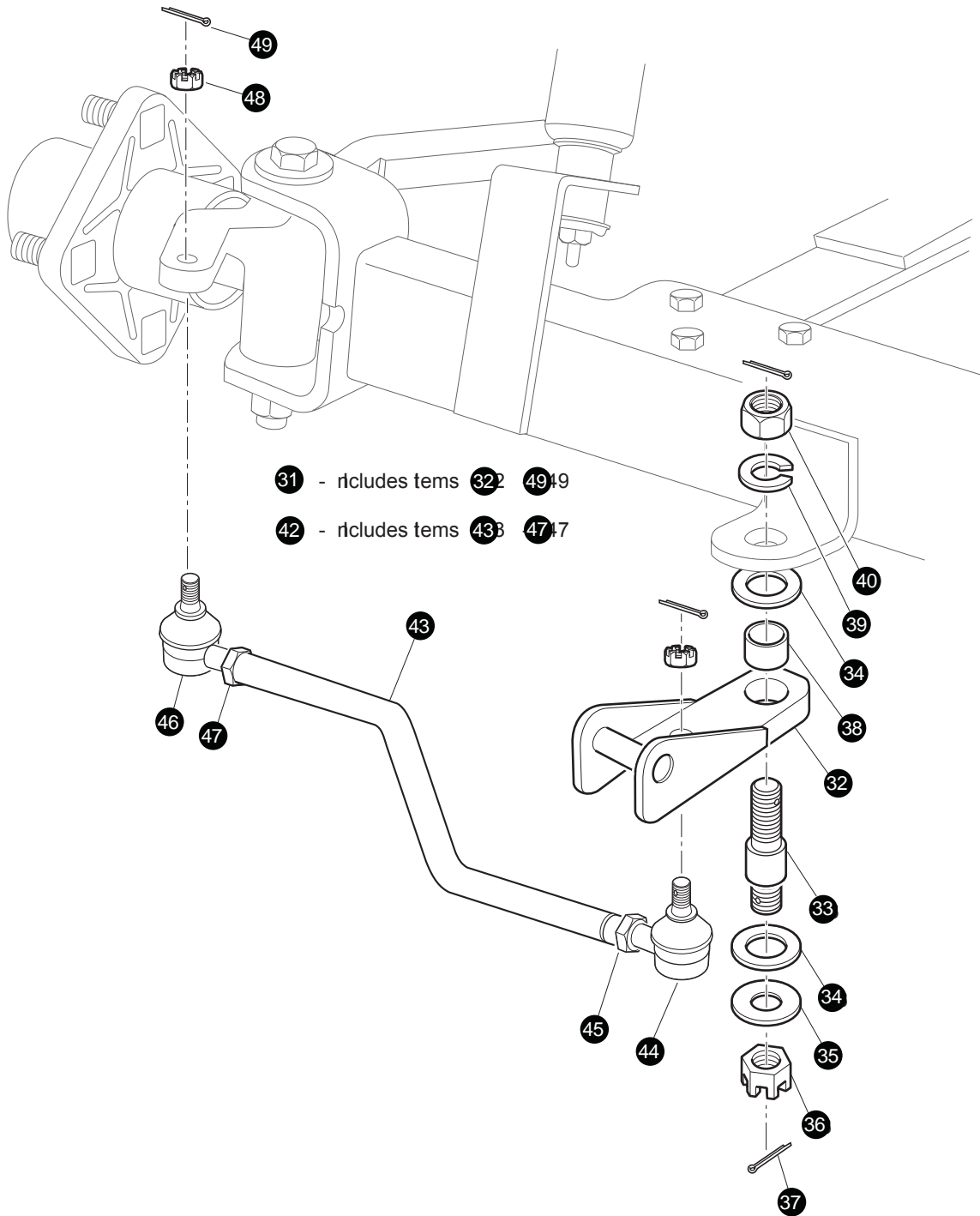
G** Indicates consult Customer Service Department for additional information.

ITEM	PART NO.	1 2 3 4 5	DESCRIPTION	QTY.
1	71611G**		SEAT BOTTOM ASSEMBLY (INCLUDES ITEMS 2 - 4)	1
2	71602G**		VINYL SEAT BOTTOM COVER	1
3	71012G01		VINYL TRIM (SEAT BOTTOM)	1
4	17074G1		RUBBER PAD	2
5	604912G**		TWO TONE VINYL SEAT BOTTOM	1
6	71701G01		HIP RESTRAINT (PASSENGER SIDE)	1
7	71702G01		HIP RESTRAINT (DRIVER SIDE)	1
8	71204G01		BOLT, 1/4 - 20 X 7/8" LG	8
9				
10	71610G01		SEAT HINGE	2
11	00720G08		SCREW, #12 - 14 X 1" LG (STAINLESS STEEL)	4
12				
13	71751G**		SEAT BACK ASSEMBLY (INCLUDES ITEMS 14 - 16)	1
14	71753G**		VINYL SEAT BACK COVER	1
15	71752G01		PLASTIC SEAT BACK COVER	1
16	01107G01		SCREW, #8 X 5/8" LG (STAINLESS STEEL)	4
17	604916G**		TWO TONE VINYL SEAT BACK	1
18				
19	71811G03		SEAT SUPPORT BRACKET	2
20	00661G8		BOLT, 1/4 - 20 X 1" LG (STAINLESS STEEL)	4
21	00664G7		LOCK WASHER, 1/4" (STAINLESS STEEL)	4
22	01075G01		SCREW, 3/8 - 16 X 2 1/2" LG	4
23				
24	610642		BAG HOLDER BRACKET	1
25	71856G01		BAG RETAINER CLAMP	2
26	71853G01		BAG RETAINER STRAP	1
27	16816G1		RATCHET FASTENER, 1/4" X 9/16" LG	2
28	01102G01		CARRIAGE BOLT, 1/4 - 20 X 1 1/2" LG (STAINLESS STEEL)	2
29	11027G2		LOCK NUT, 1/4 - 20	2

TOW BAR - PERMANENT



TOW BAR - PERMANENT



TOW BAR - PERMANENT

Where applicable, THE USE OF NON UL PARTS WILL VOID ANY UL LISTING.

When ordering parts, please specify the model and serial number of the product.

* Indicates a component that is not available as an individual part.

G** Indicates consult Customer Service Department for additional information.

ITEM	PART NO.	1 2 3 4 5	DESCRIPTION	QTY.
1	75318G01		MOUNTING PLATE.....	1
2	75319G01		STOP MOUNT PLATE	1
3	16705G1		SCREW, 1/4 - 20 X 1" LG (STAINLESS STEEL)	3
4	14390G4		LOCK NUT, 1/4 - 20 (STAINLESS STEEL)	3
5	75338G02		FEMALE STOP	1
6				
7				
8	75304G01		TOW BAR ASSEMBLY (TOWING VEHICLE) (INCLUDES ITEMS 9 - 29)	1
9	75299G01		TOW BAR	1
10	75302G01		UPPER PIVOT	1
11	75291G01		LOWER PIVOT	1
12	00410G8		BOLT, 1/2 - 20 X 3" LG.....	1
13	00675G3		WASHER, 1/2" (STAINLESS STEEL).....	1
14	75339G01		SPRING WASHER	1
15	00571G5		WASHER, 1/2"	1
16	11098G8		LOCK NUT, 1/2 - 20.....	1
17	75362G01		LATCH STOP.....	1
18	75340G01		WASHER, 3/8"	2
19	75360G01		PIVOT PIN	1
20	13571G7		SPRING PIN	1
21	617147		TOW BAR LATCH.....	1
22	20852G2		COMPRESSION SPRING	1
23	25661G02		CUP WASHER.....	1
24	13005G4		SHOULDER BOLT, 5/16 - 18 X 2" LG.....	1
25	75370G01		LABEL (WARNING)	1
26	75338G03		MALE STOP	1
27	12547G4		BOLT, 6MM X 1 X 30 MM LG.....	1
28	00565G8		LOCK WASHER, 5/16"	1
29	00520G3		ACORN NUT, 5/16 - 18 (STAINLESS STEEL)	1
30				

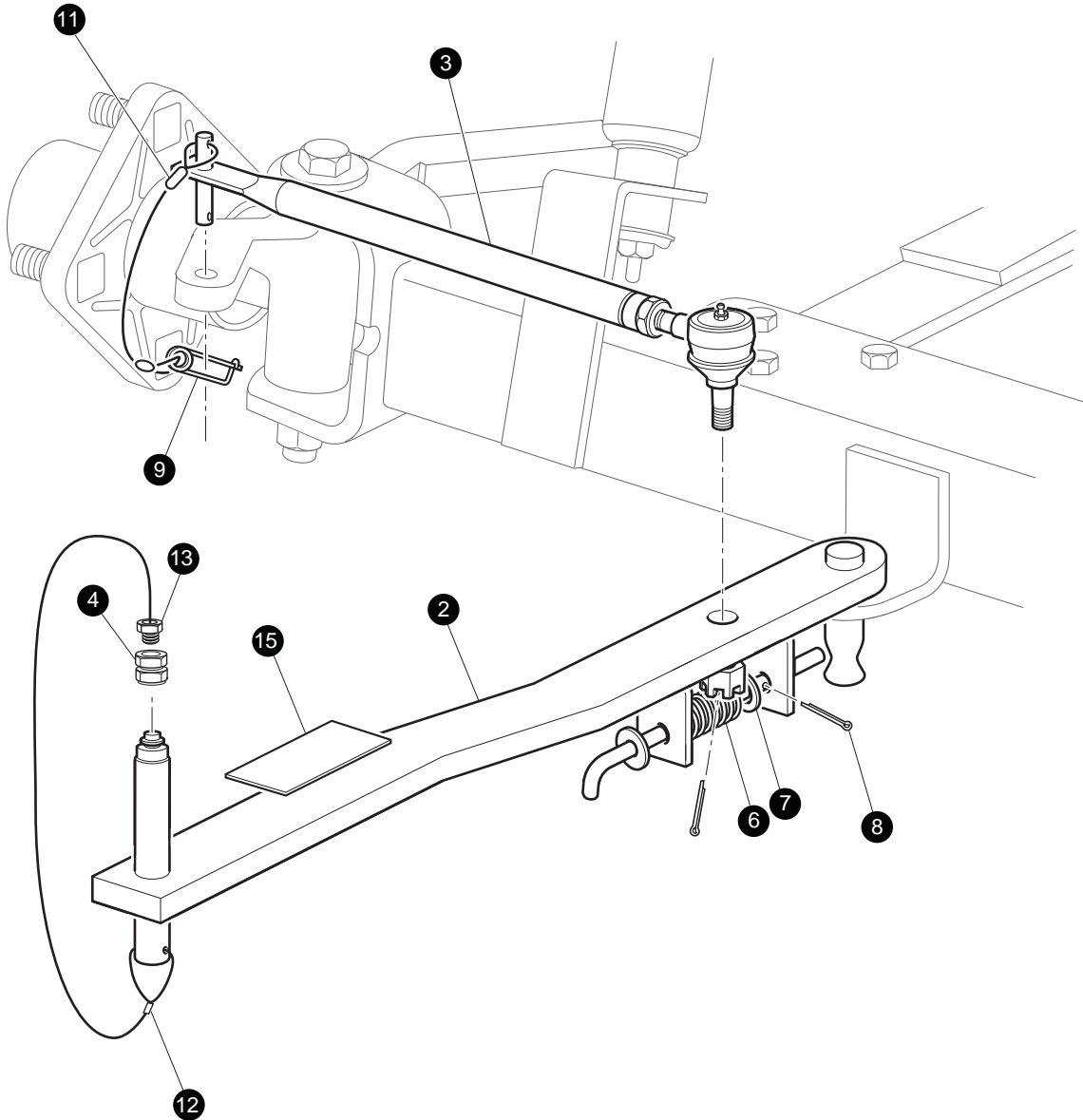
TOW BAR - PERMANENT

Where applicable, THE USE OF NON UL PARTS WILL VOID ANY UL LISTING.
 When ordering parts, please specify the model and serial number of the product.
 * Indicates a component that is not available as an individual part.
 G** Indicates consult Customer Service Department for additional information.

ITEM	PART NO.	1 2 3 4 5	DESCRIPTION	QTY.
31	75308G01		TOW BAR HITCH ASSEMBLY (TOWED VEHICLE) (INCLUDES ITEMS 32 - 49).....	1
32	75305G01		HITCH	1
33	75292G01		PIVOT BOLT	1
34	75309G01		THRUST WASHER.....	2
35	75342G01		WASHER, 3/4"	1
36	00518G8		CASTELLATED NUT, 3/4 - 16	1
37	10387G1		COTTER PIN, 1/8" X 1 1/2" LG	2
38	75307G01		BEARING.....	1
39	00566G6		LOCK WASHER, 3/4"	1
40	00533G8		NUT, 3/4 - 16.....	1
41				
42	602981		TIE ROD ASSEMBLY (INCLUDES ITEMS 43 - 47)	1
43	603089		THREADED ROD.....	1
44	27205G01		TIE ROD END (LEFT HAND THREADS).....	1
45	18434G3		JAM NUT, M12 X 1.25-05 (LEFT HAND THREADS).....	1
46	27205G02		TIE ROD END (RIGHT HAND THREADS)	1
47	18434G4		JAM NUT, M12 X 1.25-05 (RIGHT HAND THREADS).....	1
48	50209G2		CASTELLATED NUT, 7/16 - 20	2
49	10387G2		COTTER PIN, 3/32" X 1" LG	2

TOW BAR - CASUAL

① - Includes Item ② 2 ①5 15

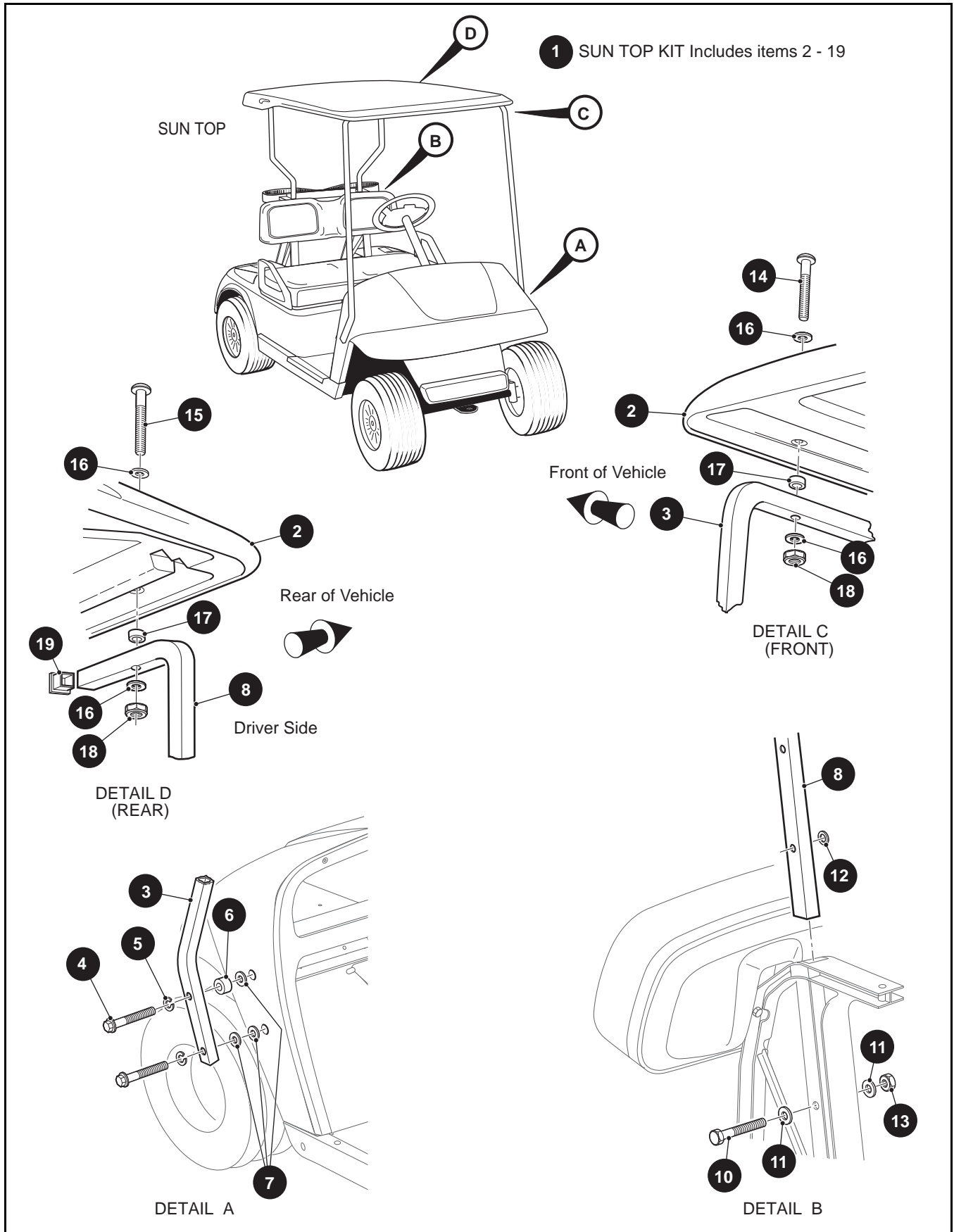


TOWBAR - CASUAL

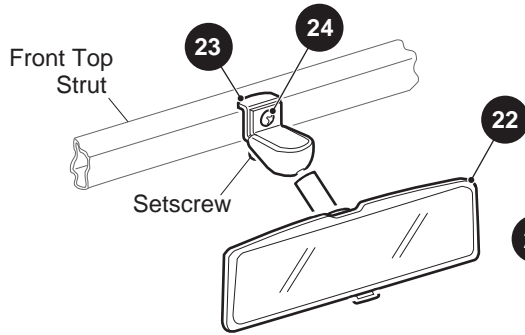
Where applicable, THE USE OF NON UL PARTS WILL VOID ANY UL LISTING.
 When ordering parts, please specify the model and serial number of the product.
 * Indicates a component that is not available as an individual part.
 G** Indicates consult Customer Service Department for additional information.

ITEM	PART NO.	1 2 3 4 5	DESCRIPTION	QTY.
1	75033G01		CASUAL TOW BAR (INCLUDES ITEMS 2 - 15).....	1
2	*		TOW BAR	1
3	75034G01		TIE ROD (INCLUDES NUT AND COTTER PIN).....	1
4	75060G01		COUPLING	1
5				
6	75065G01		COMPRESSION SPRING	1
7	00922G2		WASHER, 3/8"	1
8	10387G2		COTTER PIN, 3/32" X 1" LG	1
9	75068G01		SAFETY PIN	1
10				
11	16783G1		FERRULE	3
12	75067G01		FERRULE	1
13	75035G02		HEX HEAD PLUG.....	1
14				
15	75091G01		LABEL (WARNING).....	1

WEATHER PROTECTION - GOLF CAR

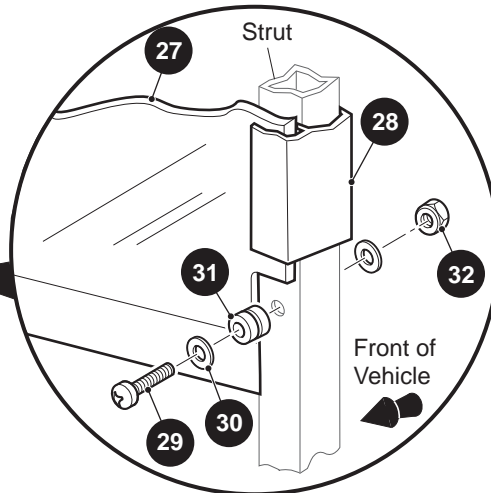
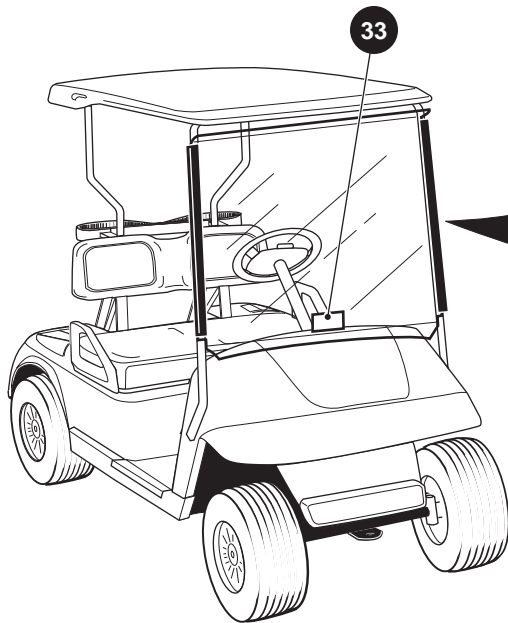


WEATHER PROTECTION - GOLF CAR



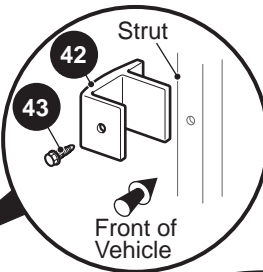
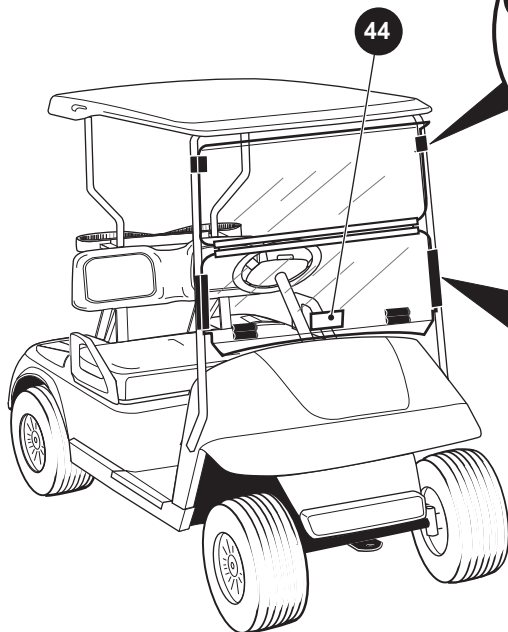
REAR VIEW MIRROR

REAR VIEW MIRROR KIT Includes Items 22 - 24



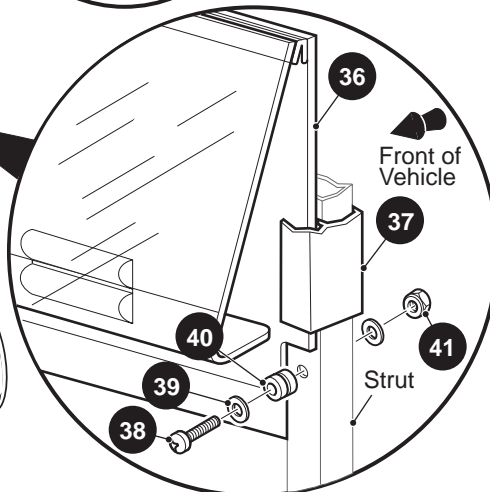
FULL WINDSHIELD

26 WINDSHIELD KIT Includes Items 27 - 33



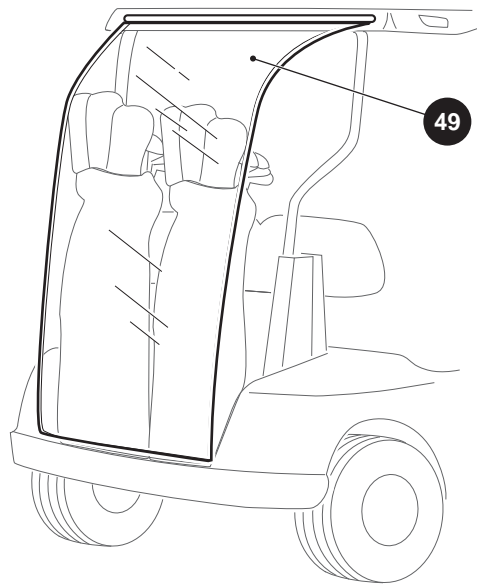
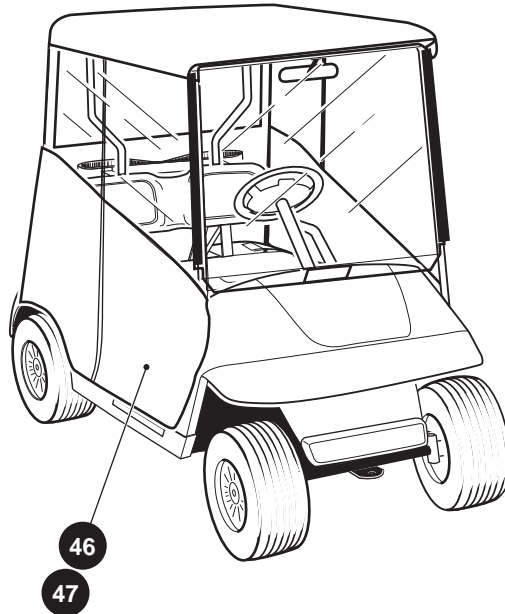
FOLD DOWN WINDSHIELD

35 FOLD DOWN WINDSHIELD KIT Includes Items 36 - 44

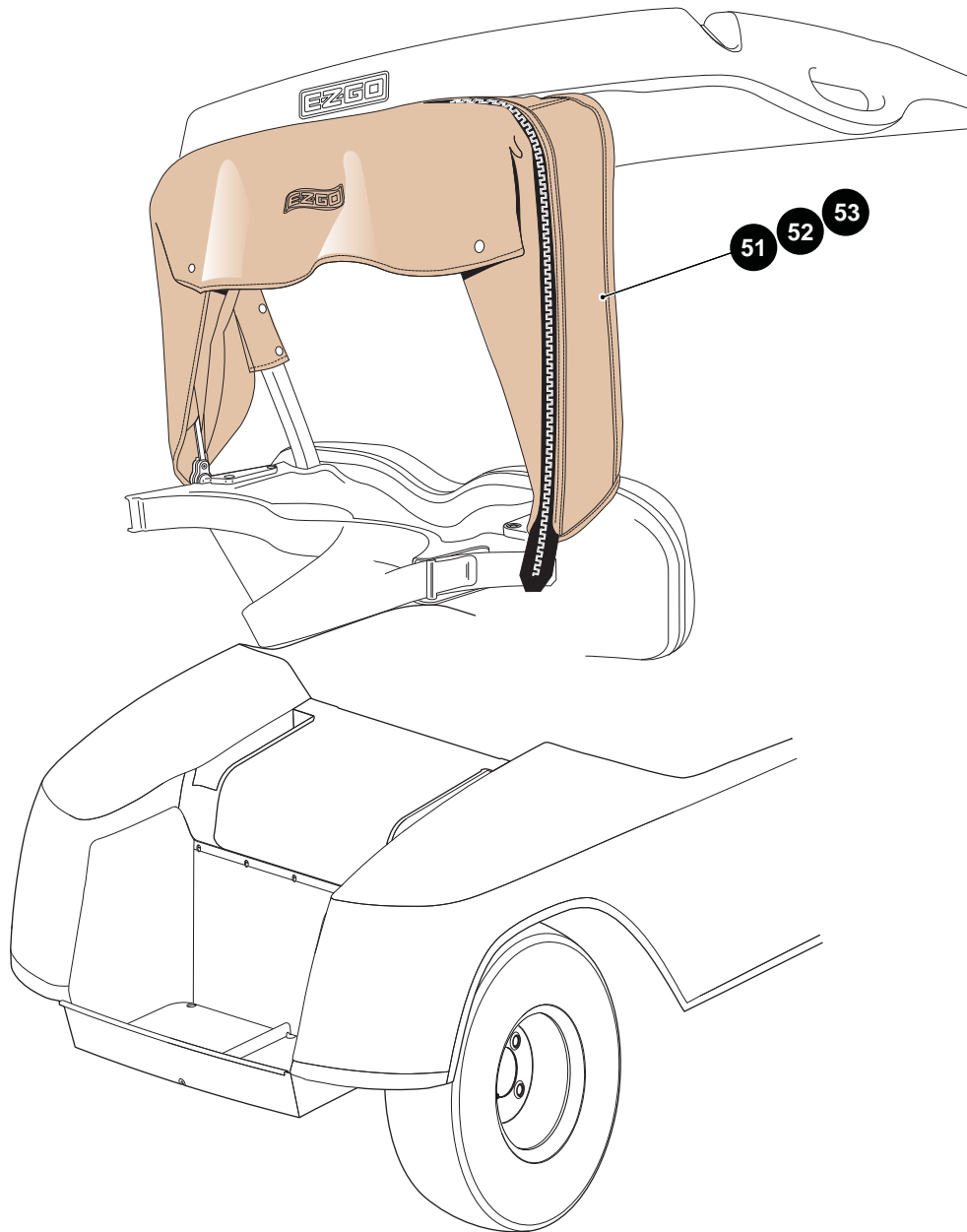


WEATHER PROTECTION - GOLF CAR

WEATHER ENCLOSURE



BAG AND RAIN CURTAIN



WEATHER PROTECTION - GOLF CAR

Where applicable, THE USE OF NON UL PARTS WILL VOID ANY UL LISTING.

When ordering parts, please specify the model and serial number of the product.

* Indicates a component that is not available as an individual part.

G** Indicates consult Customer Service Department for additional information.

ITEM	PART NO.	1 2 3 4 5	DESCRIPTION	QTY.
1	75040G**		SUN TOP KIT (GOLF CAR) (INCLUDES ITEMS 2 - 19)	1
2	27069G**		SUN TOP	1
3	75045G05		FRONT STRUT.....	1
4	00440G2		SCREW - CAP - 5/16 - 18 X 2 1/4".....	4
5	00559G8		FLAT WASHER - 5/16" FL - B - CP	4
6	75048G01		SPACER, 1/2"	2
7	00570G2		FLAT WASHER, 5/16"	6
8	75046G02		REAR STRUT	2
9				
10	00685G7		STAINLESS STEEL BOLT, 5/16 - 18 X 1 3/4" LG.....	4
11	01110G03		STAINLESS STEEL FLAT WASHER, 5/16".....	8
12	17255G1		TEFLON WASHER, 5/16".....	4
13	01109G01		STAINLESS STEEL LOCK NUT, 5/16 - 18	4
14	00753G5		STAINLESS STEEL SCREW, 1/4 - 20 X 2" LG	2
15	00753G6		STAINLESS STEEL SCREW, 1/4 - 20 X 2 1/4" LG	2
16	01110G01		STAINLESS STEEL FLAT WASHER, 1/4".....	8
17	75051G01		PLASTIC SPACER 1/2"	4
18	00654G2		STAINLESS STEEL LOCK NUT, 1/4 - 20	4
19	19853G1		END CAP, 1"	2
20				
21	19528G2		REAR VIEW MIRROR KIT (INCLUDES ITEMS 22 - 24)	1
22	19496G1		REAR VIEW MIRROR	1
23	19502G3		SUPPORT BRACKET.....	1
24	19527G1		STAINLESS STEEL SCREW, #8 - 32 X 5/8" LG	1
25				
26	75524G01		WINDSHIELD KIT (GOLF CAR) (INCLUDES ITEMS 27 - 33).....	1
27	*		WINDSHIELD	1
28	EGWHC12		SASH, 26" LG	2
29	EGWHS12		STAINLESS STEEL SCREW, 1/4 - 20 X 1 3/4" LG	2
30	EGWHW12		STAINLESS STEEL FLAT WASHER, 1/4"	4

WEATHER PROTECTION - GOLF CAR

Where applicable, THE USE OF NON UL PARTS WILL VOID ANY UL LISTING.

When ordering parts, please specify the model and serial number of the product.

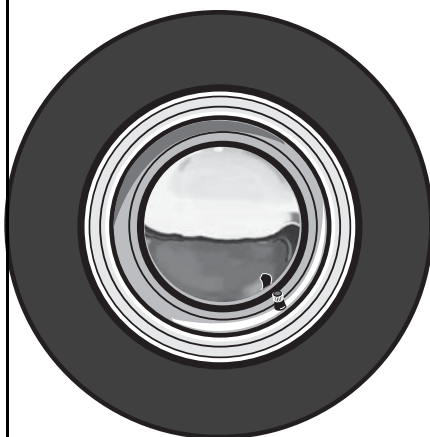
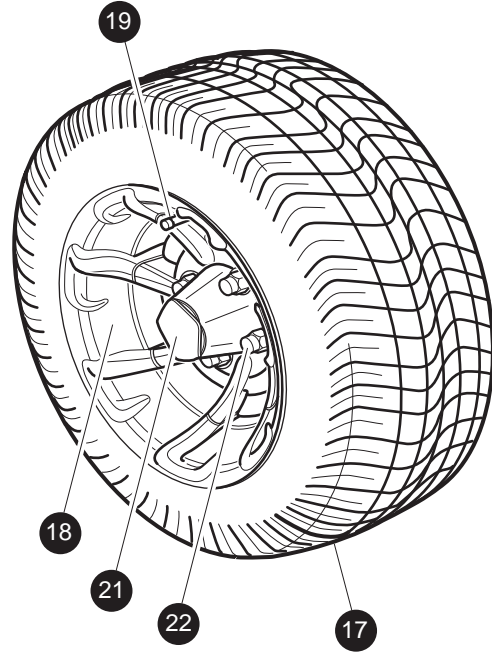
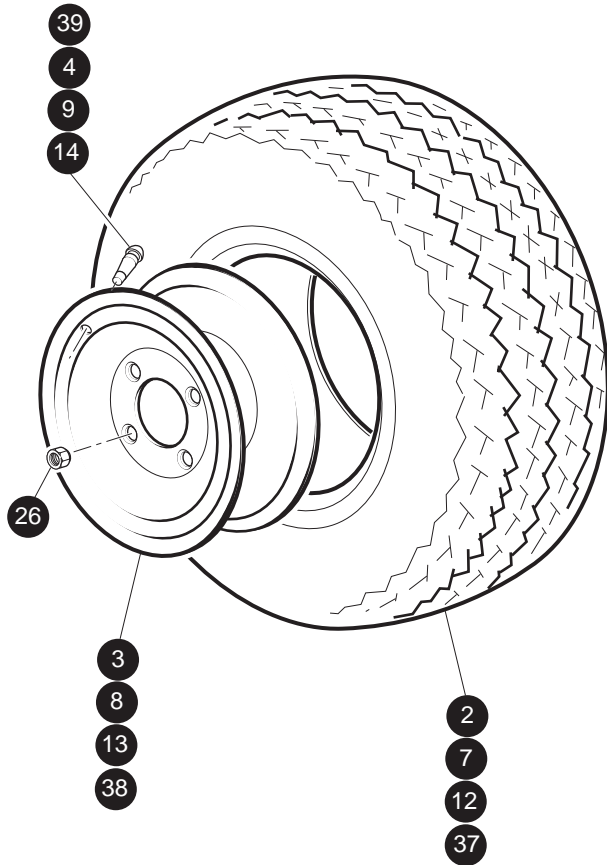
* Indicates a component that is not available as an individual part.

G** Indicates consult Customer Service Department for additional information.

ITEM	PART NO.	1	2	3	4	5	DESCRIPTION	QTY.
31	EGWHG13						RUBBER GROMMET	2
32	EGWHN12						STAINLESS STEEL LOCK NUT, 1/4 - 20	2
33	EGWHL14						SAFETY LABEL	1
34								
35	75077G01						FOLD DOWN WINDSHIELD KIT (GOLF CAR) (INCLUDES ITEMS 36 - 44).....	1
36	*						WINDSHIELD	1
37	EGWHC10						SASH, 12" LG	2
38	EGWHS12						STAINLESS STEEL SCREW, 1/4 - 20 X 1 3/4" LG	2
39	EGWHW12						STAINLESS STEEL FLAT WASHER, 1/4"	4
40	EGWHG13						RUBBER GROMMET	2
41	EGWHN12						STAINLESS STEEL LOCK NUT, 1/4 - 20	2
42	137-010						TOP GRIP, 3/4" X 2"	2
43	136-008						TOP GRIP FASTENER	2
44	EGWHL14						SAFETY LABEL	1
45								
46	75078G01						WEATHER ENCLOSURE (3 SIDED) RECOMMENDED FOR VEHICLES WITH WINDSHIELDS	1
47	75079G01						WEATHER ENCLOSURE (4 SIDED) RECOMMENDED FOR VEHICLES WITHOUT WINDSHIELDS	1
48								
49	75191G01						BAG COVER AND RAIN CURTAIN KIT	1
50								
51	625581						BAG COVER KIT, OYSTER	1
52	625583						BAG COVER KIT, TAN	1
53	625585						BAG COVER KIT, GREEN	1
<p>For service or replacement windshield parts, contact: Eagle Parts, Inc. 1411 Marvin Griffin Rd. Augusta, GA 30906 Telephone (706) 790-6687 or FAX (706) 790-6066</p>								

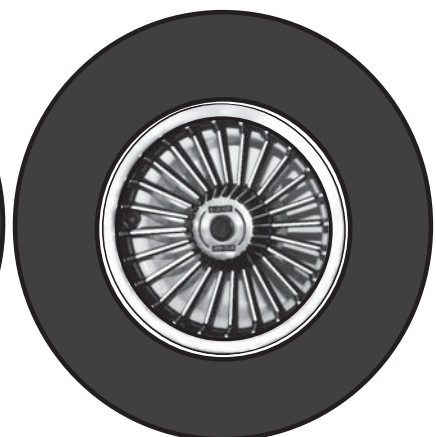
WHEELS AND TIRES

- 1 Includes Items 2 - 4
- 6 Includes Items 7 - 9
- 11 Includes Items 12 - 14
- 16 Includes Items 17 - 19
- 36 Includes Items 37 - 39



6" CHROME HUBCAP

28



SILVER / GOLD SPOKE HUBCAP

32 34

WHEELS AND TIRES

Where applicable, THE USE OF NON UL PARTS WILL VOID ANY UL LISTING.

When ordering parts, please specify the model and serial number of the product.

* Indicates a component that is not available as an individual part.

G** Indicates consult Customer Service Department for additional information.

ITEM	PART NO.	1 2 3 4 5	DESCRIPTION	QTY.
1	612772		TIRE AND WHEEL ASSEMBLY (KENDA HOLE--HOLE 18 X 8.5 - 8) (INCLUDES ITEMS 2 - 4).....	1
2	612771		TIRE (KENDA 18 X 8.5 - 8)	1
3	612770		KENDA WHEEL (Kenda wheels are marked with "M").....	1
4	11657G2		VALVE STEM.....	1
5				
6	28757G03		WHEEL AND TIRE ASSEMBLY (TURF SAVER 18 X 8.5 - 8) (INCLUDES ITEMS 7 - 9).....	1
7	28764G03		TIRE (TURF-SAVER 18 X 8.5 - 8)	1
8	28759G01		WHEEL RIM (4 LUG).....	1
9	11657G2		VALVE STEM.....	1
10				
11	28842G01		WHEEL AND TIRE ASSEMBLY (SURE TRAIL 6-PLY 18.5 X 8.5 - 8) (INCLUDES ITEMS 12 - 14).....	1
12	28764G08		TIRE (SURE TRAIL 18.5 X 8.5 - 8).....	1
13	28759G01		WHEEL RIM (4 LUG).....	1
14	11657G2		VALVE STEM.....	1
15				
16	600599		WHEEL AND TIRE ASSEMBLY (ALLOY WHEEL)	1
17	601768		TIRE (TOUR MAX 205 X 50 - 10).....	1
18	601766		WHEEL ALLOY RIM.....	1
19	601767		VALVE STEM.....	1
20				
21	601353		WHEEL ALLOY CAP.....	1
22	605310		WHEEL ALLOY LUG NUT	4
23				
24				
25				
26	14723G1		LUG NUT, 1/2 - 20.....	16
27				
28	608604		6" CHROME HUBCAP	4

WHEELS AND TIRES

Where applicable, THE USE OF NON UL PARTS WILL VOID ANY UL LISTING.

When ordering parts, please specify the model and serial number of the product.

* Indicates a component that is not available as an individual part.

G** Indicates consult Customer Service Department for additional information.

ITEM	PART NO.	1 2 3 4 5	DESCRIPTION	QTY.
29				
30				
31				
32	19241G2		GOLD SPOKE HUBCAP.....	4
33				
34	19241G1		SILVER SPOKE HUBCAP.....	4
35				
36	28757G01		WHEEL AND TIRE ASSEMBLY (LINKS 18 X 8.5 - 8) (INCLUDES ITEMS 37 - 39).....	1
37	28764G01		TIRE (LINKS 18 X 8.5 - 8)	1
38	28759G01		WHEEL RIM (4 LUG).....	1
39	11657G2		VALVE STEM.....	1

SPECIALTY PRODUCTS

SPECIALTY PRODUCTS

SPECIAL TOOLS	PART NO.
BATTERY MAINTENANCE KIT	25587G01
SEAL INSTALLATION TOOL (REAR AXLE SHAFT SEAL)	18739G1
CURRENT INDICATOR	16489G2
DIGITAL MULTI-METER	27481G01
CRIMPING TOOL	27765G01
TUBELESS TIRE REPAIR KIT	606009
TIRE PLUGGER REFILL PACK	606831

TOUCH UP PAINT	PART NO.
PEN 3 OUNCE (89 ML) - HUNTER GREEN	28432G02
PEN 3 OUNCE (89 ML) - CHAMPAGNE BEIGE	28432G01
PEN 3 OUNCE (89 ML) - WHITE	28432G05
PEN 3 OUNCE (89 ML) - INDUSTRIAL YELLOW.....	28432G03
PEN 3 OUNCE (89 ML) - ORANGE	28432G04
PEN 3 OUNCE (89 ML) - STEEL BLUE PEARL	28432G**
PEN 3 OUNCE (89 ML) - CAMOUFLAGE PAINT (THREE PENS)	75831G01
AEROSOL 12 OUNCE (360 ML) - HUNTER GREEN	28140G09
AEROSOL 12 OUNCE (360 ML) - CHAMPAGNE BEIGE	28140G15
AEROSOL 12 OUNCE (360 ML) - INDUSTRIAL YELLOW.....	28140G14

MAINTENANCE PRODUCTS	PART NO.
PLEXUS® CLEANER, 13 OUNCE (380 ML) (FOR WINDSHIELDS)	28433G02
BATTERY PROTECTOR, 14 OUNCE (410 ML) SPRAY	27619G02
E-Z-GO ALL SURFACE CLEANER	606311
E-Z-GO FIBREGLASS/PLASTIC RESTORER	606313
WINDSHIELD AND PLASTIC PROTECTOR	606314
64 OZ HANDCLEANER.....	607636
4 OZ HAND CLEANER.....	607637

OPTIONS AND ACCESORIES

OPTIONS/ACCESSORIES

OPTIONS AND ACCESORIES

2 BAG ATTACHMENT	75183G01	Body
4 BAG ATTACHMENT	75335G01	Body
CHARGER INSTALLATION, 48V CALG5.5M CORD .624025		Charger
CHARGER INSTALLATION, C ALG 3M WORLD624027		Charger
CHARGER INSTALLATION, C ALG 5.5M WORLD . . .624029		Charger
SEAT INSTALLATION - GRAY	71600G03	Seating
SEAT INSTALLATION - TAN	71600G07	Seating
SEAT INSTALLATION - NON STANDARD COLOR . .71600G09		Seating
FRONT WHEEL INSTALLATION - USA TRAIL	27773G01	Wheels And Tires
8" CHROME HUBCAP	14913G*	Wheels And Tires
6" CHROME HUBCAP	16042G*	Wheels And Tires
GOLD SPOKE HUBCAP	19241G*	Wheels And Tires
SILVER SPOKE HUBCAP	19241G*	Wheels And Tires
ASHTRAY KIT	75109G02	Body
CENTER BASKET	75003G01	Body
COOLER JUG AND BRACKET KIT	75495G01	Body
COOLER BOX AND BRACKET KIT	71048G01	Body
DIVOT REPAIR KIT (BUCKET)	74849	Body
DIVOT REPAIR KIT (BASKET)	75007	Body
MESSAGE HOLDER KIT (REQUIRES SUN TOP) . . .75509G01		Body
MESSAGE HOLDER KIT (REQUIRES SUN TOP) . . .75496G01		Body
REAR VIEW MIRROR (REQUIRES SUN TOP)19528G2		Weather Protection - Golf Car
SAND BOTTLE	28661G**	Body
SAND RAKE	14735G1	Body
SAND RAKE HOLDER	75006G01	Body
SIDE BASKET	75007G**	Body
SUN TOP KIT, GOLF CAR	75040G**	Weather Protection - Golf Car
TOW BAR KIT (CASUAL)	75033G01	Tow Bar - Casual
TOW BAR KIT (PERMANENT)	75304G01	Tow Bar - Permanent
WINDSHIELD KIT, GOLF CAR	75524G01	Weather Protection, Golf Car
WINDSHIELD KIT, FOLD DOWN, GOLF CAR74910G01		Weather Protection, Golf Car
TIRE DOMINATOR 20X11-10	605316	Wheels and Tires
PATHFINDER TIRE, BRUSHED WHEEL LH	605355	Wheels and Tires

OPTIONS AND ACCESORIES

PATHFINDER TIRE, BRUSHED WHEEL RH	605356	Wheels and Tires
PRO TOUR - POLISHED WHEEL	605317	Wheels and Tires
PRO TOUR, TIRE 205/50-10	605315	Wheels and Tires
V-STEM-BRUSHED SPOKED WHEEL	605351	Wheels and Tires
PRO BRUSHED WHEEL	605318	Wheels and Tires
DOMINATOR - POLISHED WHEEL	605319	Wheels and Tires
DOMINATOR - BRUSHED WHEEL	605320	Wheels and Tires
CHROME CENTER CAP - SPOKED WHEEL	604929	Wheels and Tires
NUT, LUG-CHROME	605310	Wheels and Tires
V-STEM-POLISHED SPOKED WHEEL	605311	Wheels and Tires
PATHFINDER TIRE 22X11-10	604928	Wheels and Tires
PATHFINDER TIRE, POLISHED WHEEL LH	604930	Wheels and Tires
PATHFINDER TIRE, POLISHED WHEEL RH	605228	Wheels and Tires
JACK-UP KIT	74786G02	Wheels and Tires
BFS - INSTALLATION	607108	Electrical System
NOZZLE GUN - BFS-08	608813	Electrical System
CLUB AND BALL WASHER KIT	627900	Body
SVC-KIT, VPS W/O MAIN PLUG (For TXT FLEET 48V DC)	617188	Electrical System
SVC-KIT, VPS WITH MAIN PLUG (For TXT Freedom 48V DC and TXT 2+2 48V DC)	617187	Electrical System



A Textron Company

E-Z-GO Division of Textron Inc.,
1451 Marvin Griffin Road, Augusta, Georgia 30906 - 3852 USA

TO CONTACT US...

North America:

**Technical Assistance & Warranty
Service Parts**

Phone: 1-800-774-3946, FAX: 1-800-448-8124

Phone: 1-888-GET-E-Z-GO (1-888-438-3946), FAX: 1-800-752-6175

International:

Phone: 001-706-798-4311, FAX: 001-706-771-4609

Copyrighted Material
This manual may not be reproduced in whole or
in part without the express permission of
E-Z-GO Division of Textron, Inc.
Technical Communications Department