

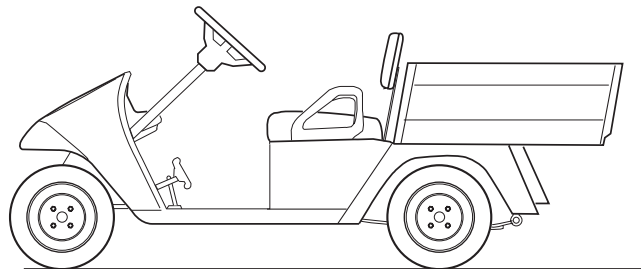
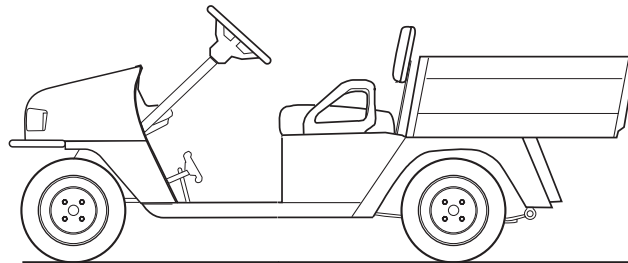
28811-G01

TEXTRON

GOLF, TURF & SPECIALTY PRODUCTS



SERVICE PARTS MANUAL



GASOLINE POWERED UTILITY VEHICLE

STARTING MODEL YEAR: 2001

REVISED 7/2002

SERVICE PARTS MANUAL

GASOLINE POWERED UTILITY VEHICLES

WORKHORSE[®] 800

WORKHORSE[®] 800 LX

INDUSTRIAL 800

COMMANDER[™] 280

COMMANDER[™] 280 SE

TEXTRON Golf, Turf & Specialty Products reserves the right to make design changes without obligation to make these changes on units previously sold and the information contained in this manual is subject to change without notice.

TEXTRON Golf, Turf & Specialty Products is not liable for errors in this manual or for incidental or consequential damages that result from the use of the material in this manual.

CUSTOMER SERVICE DEPARTMENT IN USA PHONE: 1-800-241-5855 FAX: 1-800-448-8124

OUTSIDE USA PHONE: 010-1-706-798-4311, FAX: 010-1-706-771-4609

TEXTRON GOLF, TURF & SPECIALTY PRODUCTS, P.O.BOX 388, AUGUSTA, GEORGIA USA 30903-0388

NOTES

To obtain a copy of the limited warranty applicable to the vehicle, call or write a local Distributor, authorized Branch or the Warranty Department with vehicle serial number and manufacturer code.

The use of non Original Equipment Manufacturer (OEM) parts may void the warranty.

Tampering with or adjusting the governor to permit vehicle to operate at above factory specifications will void the vehicle warranty.

When servicing engines, all adjustments and replacement components must be per original vehicle specifications in order to maintain the United States of America Federal and State emission certification applicable at the time of manufacture.

BATTERY PROLONGED STORAGE

All batteries will self discharge over time. The rate of self discharge varies depending on the ambient temperature and the age and condition of the batteries.

A fully charged battery will not freeze in winter temperatures unless the temperature falls below -75° F (-60° C).

TABLE OF CONTENTS

SECTION	Page No.
HOW TO USE THE SERVICE PARTS MANUAL	v
ILLUSTRATED PARTS BREAKDOWN	vii
ACCELERATOR - ALL CABLES	A-1
ACCELERATOR - CABLE AND LINKAGES	B-1
AIR FILTER	C-1
BODY	D-1
BRAKES	E-1
CAB	F-1
CARBURETOR AND CHOKE	G-1
CLUTCH	H-1
DIRECTION SELECTOR	J-1
DIRECTION SELECTOR - DUAL CABLE	J-5
ELECTRICAL SYSTEM	K-1
ENGINE AND MUFFLER	L-1
ENGINE MOUNTING	M-1
FRONT SUSPENSION	N-1
FUEL SYSTEM	P-1
REAR AXLE	Q-1
REAR AXLE - DUAL CABLE	Q-5
REAR SUSPENSION	R-1
SEATS	S-1
STARTER / GENERATOR	T-1
TRUCK BED, MANUAL LIFT	U-1
TRUCK BED, ELECTRIC LIFT	V-1
TRUCK BED, REFRESHER COOLER	W-1
WEATHER PROTECTION	X-1
WHEELS AND TIRES	Y-1
SPECIALTY PRODUCTS	APPENDIX A-1
OPTIONS/ACCESSORIES	APPENDIX B-1

HOW TO USE THE SERVICE PARTS MANUAL

This manual is divided into several sections:

GENERAL INFORMATION

- TABLE OF CONTENTS
- HOW TO USE THE SERVICE PARTS MANUAL

ILLUSTRATED PARTS BREAKDOWN

- Contains illustrations and parts lists for all systems of the vehicle

APPENDIX

- Contains a listing of specialty products and options/accessories

INDEX OF MAJOR COMPONENTS

- Contains a listing of parts (excluding hardware) grouped by part number and description and indicates on which page(s) they can be found

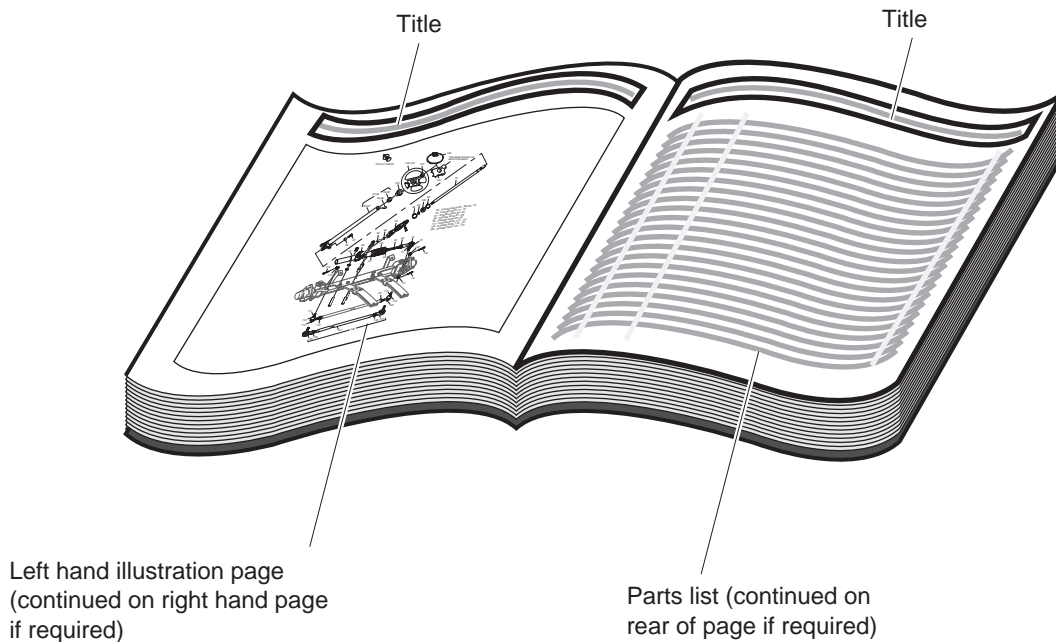
USE OF THE MANUAL

To use this manual, consult the TABLE OF CONTENTS (page iii) or the INDEX OF MAJOR COMPONENTS (located at rear of this manual) to locate the information or illustration required.

Introduction of some revisions varies due to supply of components; therefore, it is possible that various combinations of components may be found that are not directly reflected by each illustration. Consult the illustration that best suits your situation. Locate the serial number plate (see BODY located in the Illustrated Parts Breakdown section of this manual for its location) and note the complete number shown on the plate. It is important that the serial number of your vehicle and its model number be supplied to Service Parts when ordering any replacement components.

Locate the serial number plate (see BODY located in the Illustrated Parts Breakdown section of this manual for its location) and note the complete number shown on the plate.

HOW TO USE THE SERVICE PARTS MANUAL



1. WHEN THE PART NUMBER IS NOT KNOWN

- Determine the function and application of the part required. Turn to the INDEX OF MAJOR COMPONENTS and select the most appropriate component description.
- Turn to the page number indicated and locate the part description in the parts list. Read the full accompanying description for specific information regarding the part that was not shown in the index.
- From the parts list, obtain the item number assigned to it and confirm that the part selected is correct by verifying it with the pictorial representation on the illustrated page.

2. IF YOU KNOW THE PART NUMBER

- Use the INDEX OF MAJOR COMPONENTS to find the page(s) the part number appears on.
- Turn to the page number indicated and locate the part number in the parts list. Refer to the accompanying description for specific information regarding the part.
- From the parts list, obtain the item number assigned to it and confirm that the part selected is correct by verifying it with the pictorial representation on the illustrated page.

Should an asterisk (*) appear in the part number column on the parts list page, read upwards until a part number is found. The part number is the lowest assembly sold by Service Parts. The asterisk (*) indicates that the part depicted is not available for purchase.

NOTE: Descriptions are indented under the assembly that they are used on. That assembly is, in turn listed under the assembly that it is used on. This process is repeated until the highest final assembly is reached.

To facilitate the maintenance and repair of the vehicle, a Technician's Repair and Service Manual is available from the Service Parts Department.

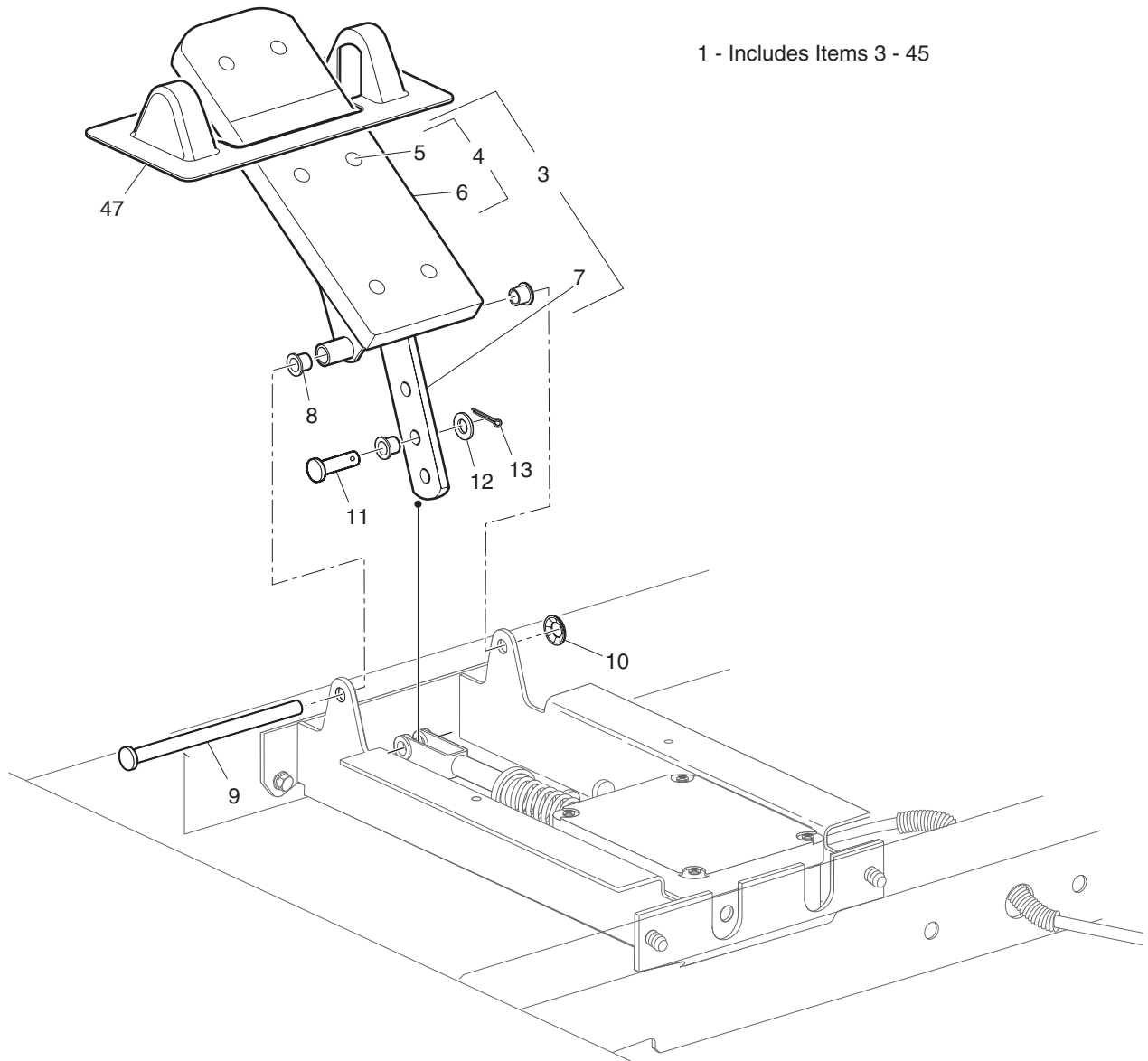
ILLUSTRATED PARTS BREAKDOWN

ILLUSTRATED PARTS BREAKDOWN

HOW TO USE THE SERVICE PARTS MANUAL

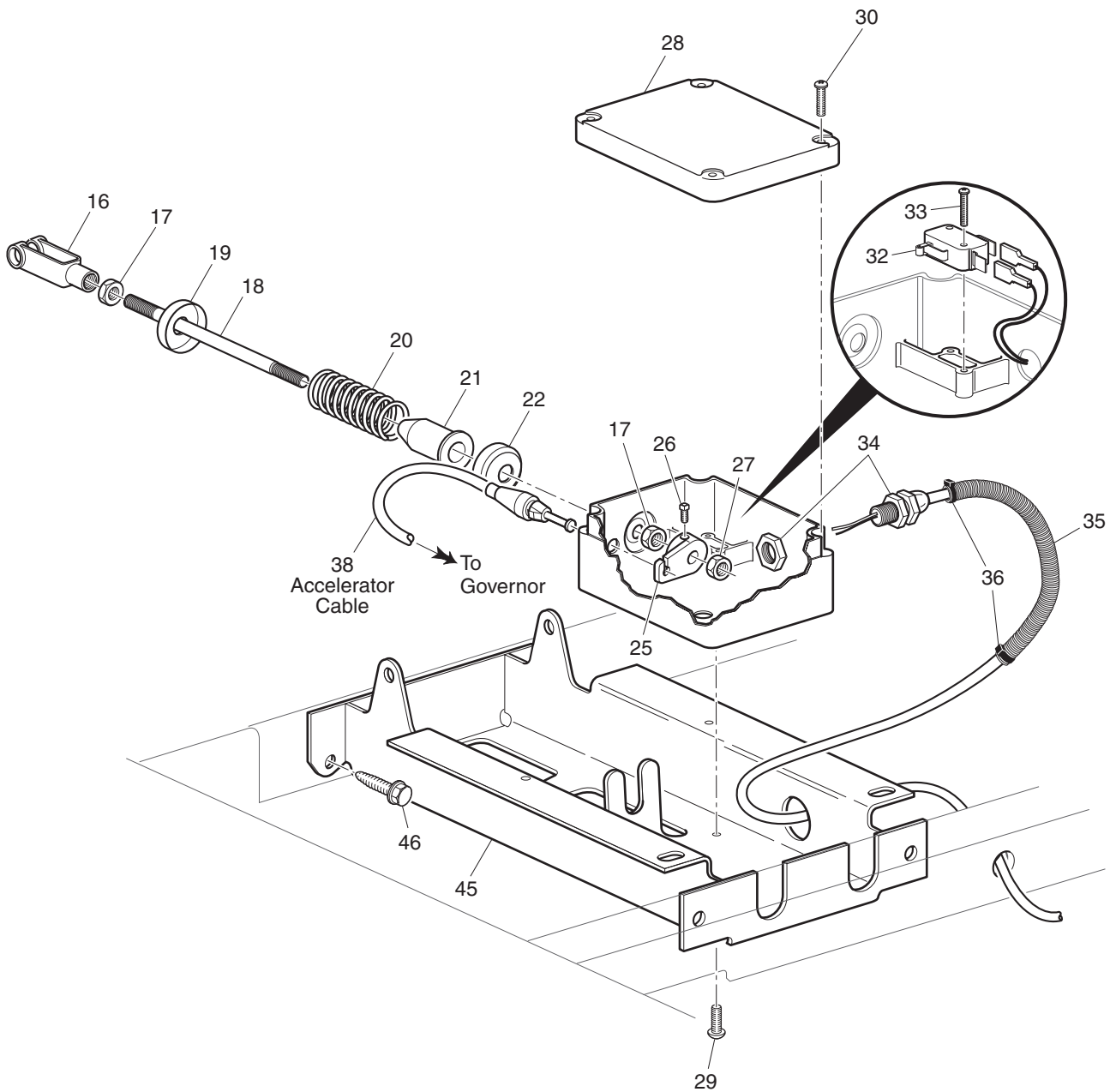


ACCELERATOR - ALL CABLES



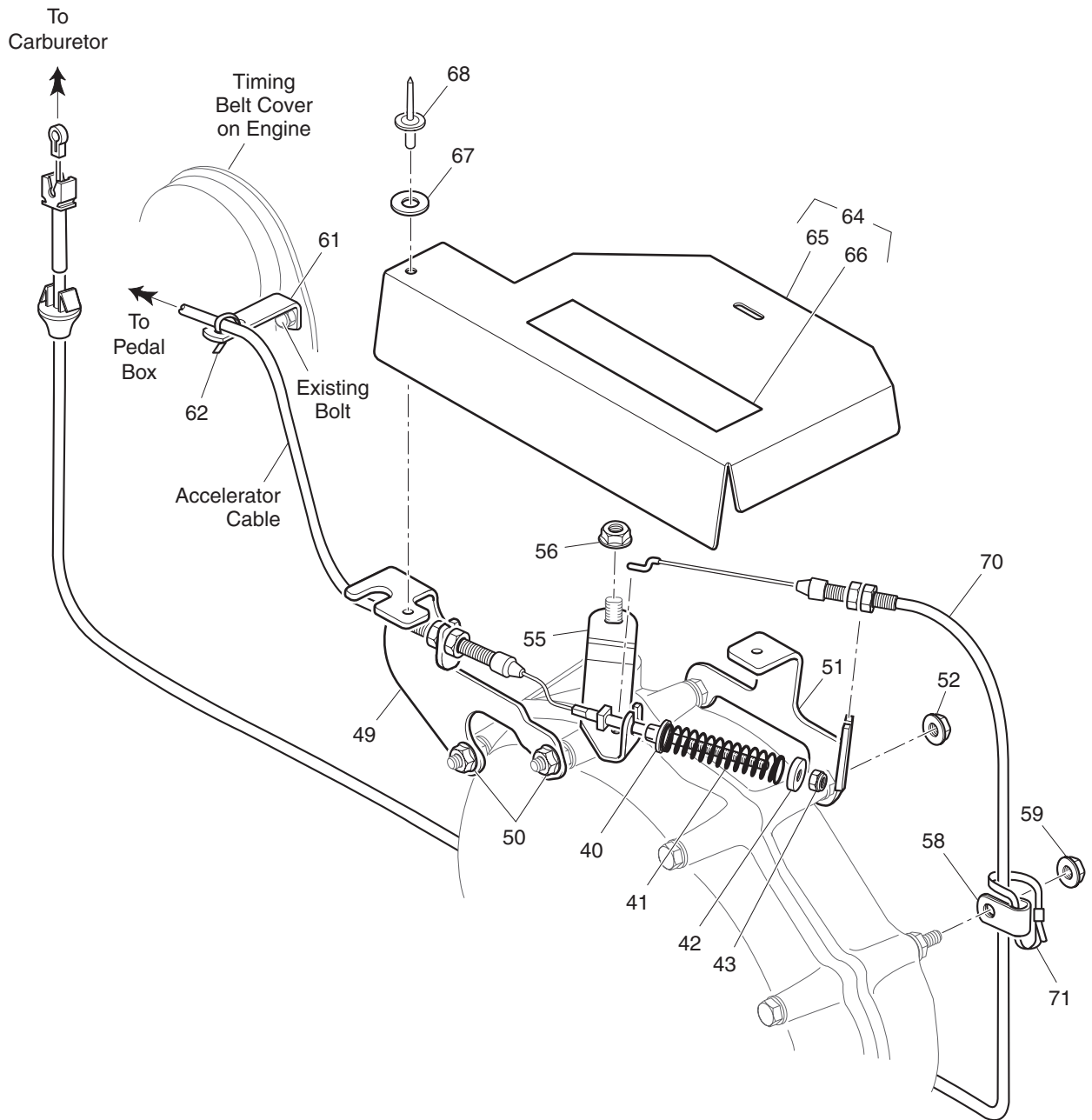
Ref Acc 5-1

ACCELERATOR - ALL CABLES



Ref Acc 5-2

ACCELERATOR - ALL CABLES



Ref Acc 5-3

ACCELERATOR - ALL CABLES

When ordering parts, please specify the model and serial number of the product.

* Indicates a component that is not available as an individual part.

G** Indicates consult Customer Service Department for additional information.

ITEM	PART NO.	1	2	3	4	5	DESCRIPTION	QTY.	
1	72717-G01	PEDAL BOX ASSEMBLY (INCLUDES ITEMS 3 - 45)							1
2									
3	25799-G01	ACCELERATOR PEDAL ASSEMBLY (INCLUDES ITEMS 4 - 7).....							1
4	27844-G01	ACCELERATOR PEDAL PAD KIT (INCLUDES ITEMS 5 - 6).....							1
5	15766-G1	OVAL RIVET, 3/16" X 3/8" LG.....							6
6	27512-G01	ACCELERATOR PEDAL PAD							1
7	*	ACCELERATOR PEDAL.....							1
8	17838-G1	NYLON BUSHING							3
9	74432-G01	PEDAL PIVOT PIN							1
10	12064-G6	PUSH NUT, 9/32".....							1
11	10386-G3	CLEVIS PIN, 5/16" X 1" LG							1
12	17255-G1	TEFLON WASHER, 5/16".....							1
13	10387-G3	COTTER PIN, 3/32" X 3/4" LG							1
14									
15									
16	10385-G4	CLEVIS YOKE (ADJUSTABLE).....							1
17	00532-G4	LOCK NUT, 5/16 - 24							2
18	72072-G01	ACCELERATOR ROD							1
19	17677-G2	SPRING RETAINER							1
20	73046-G01	COMPRESSION SPRING							1
21	17979-G1	ACCELERATOR ROD BUSHING.....							1
22	17677-G1	SPRING RETAINER							1
23									
24									
25	72716-G01	MICRO SWITCH CAM.....							1
26	00487-G3	SETSCREW, 1/4 - 20 X 3/8" LG.							1
27	00550-G4	LOCK NUT, 5/16 - 24							1
28	25853-G03	PEDAL BOX AND COVER							1
29	01051-G01	SCREW, #8 - 16 X 1/2" LG.							4
30	00684-G6	SCREW, #8 - 32 X 3/4" LG.							4

ACCELERATOR - ALL CABLES

When ordering parts, please specify the model and serial number of the product.

* Indicates a component that is not available as an individual part.

G** Indicates consult Customer Service Department for additional information.

ITEM	PART NO.	1	2	3	4	5	DESCRIPTION	QTY.
31								
32	25861-G01						MICRO SWITCH.....	1
33	01050-G01						SCREW, #4 - 20 X 5/8" LG	2
34	72201-G04						WIRE HARNESS (PEDAL BOX)	1
35	17313-G1						FLEX LOOM (BULK).....	AR
36	17618-G1						WIRE TIE	2
37								
38	72713-G01						ACCELERATOR CABLE	1
39								
40	72706-G01						ACCELERATOR CABLE BUSHING	1
41	72707-G01						COMPRESSION SPRING	1
42	25727-G02						CUP WASHER.....	1
43	00734-G5						LOCK NUT, #10 - 32.....	1
44								
45	70116-G01						ACCELERATOR PEDAL BRACKET.....	1
46	00715-G2						BOLT, 5/16 - 18 X 13/16" LG	4
47	70135-G01						PEDAL PIVOT COVER.....	1
48								
49	72701-G01						ACCELERATOR CABLE MOUNTING BRACKET	1
50	26830-G01						LOCK NUT, M8 X 1.25 MM	2
51	72703-G01						THROTTLE CABLE MOUNTING BRACKET	1
52	26830-G01						LOCK NUT, M8 X 1.25 MM	2
53								
54								
55	72708-G01						GOVERNOR ARM	1
56	26830-G01						LOCK NUT, M8 X 1.25 MM	1
57								
58	11845-G3						CLAMP	1
59	26830-G01						LOCK NUT, M8 X 1.25 MM	1
60								

ACCELERATOR - ALL CABLES

When ordering parts, please specify the model and serial number of the product.

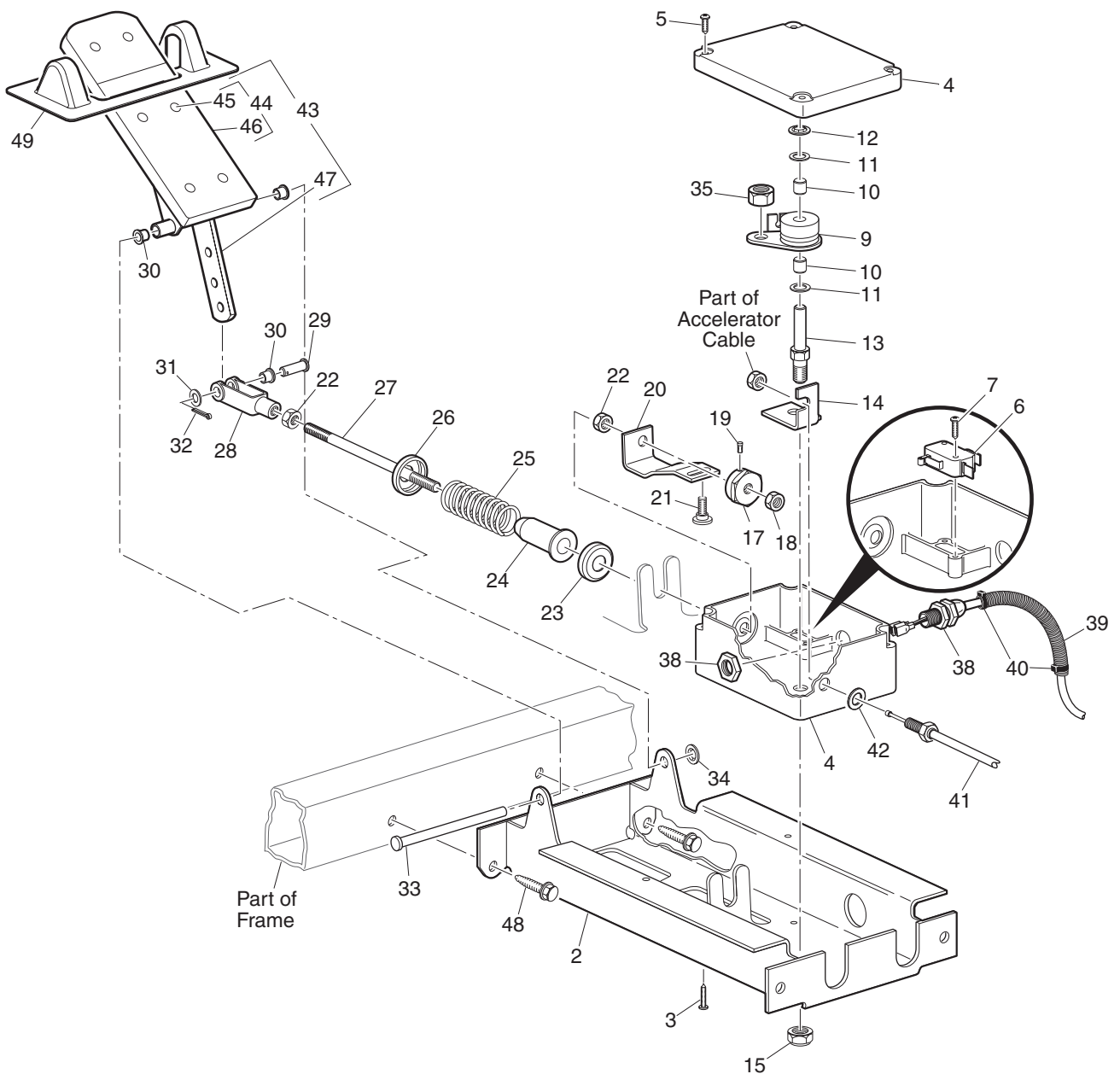
* Indicates a component that is not available as an individual part.

G** Indicates consult Customer Service Department for additional information.

ITEM	PART NO.	1	2	3	4	5	DESCRIPTION	QTY.
61	72055-G01						ACCELERATOR CABLE BRACKET	1
62	17618-G1						WIRE TIE	1
63								
64	74457-G01						GOVERNOR COVER/LABEL ASSEMBLY (INCLUDES ITEMS 65, 66).....	1
65	72705-G01						GOVERNOR COVER	1
66	24880-G01						LABEL (WARNING - GOVERNOR)	1
67	00915-G1						BONDED WASHER, 1/4"	2
68	14601-G11						RIVET, 3/16" X 9/16" LG	2
69								
70	72714-G01						THROTTLE CABLE.....	1
71	17618-G1						WIRE TIE	1

ACCELERATOR - CABLE AND LINKAGES

1 - Includes Items 2 - 47

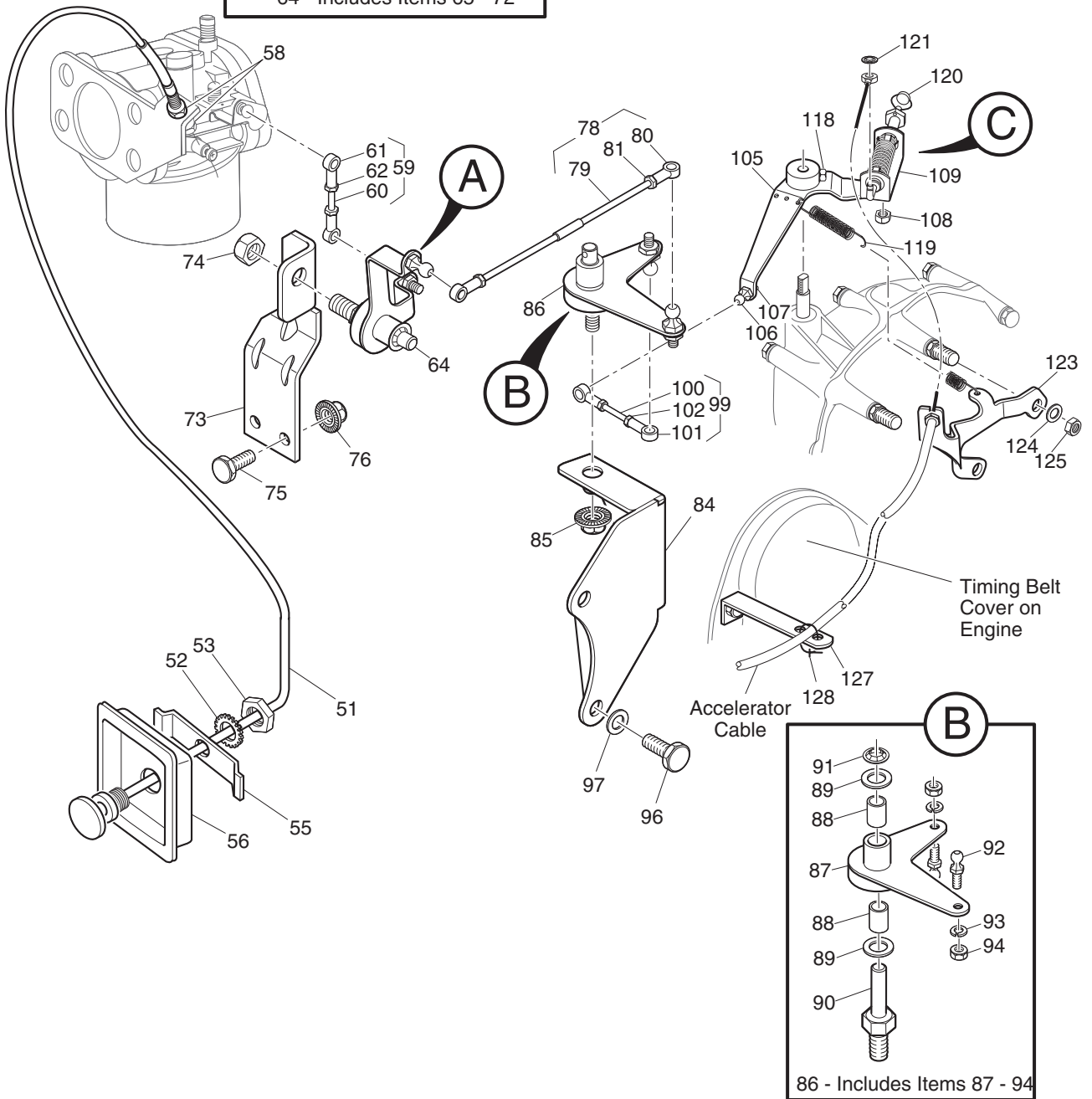
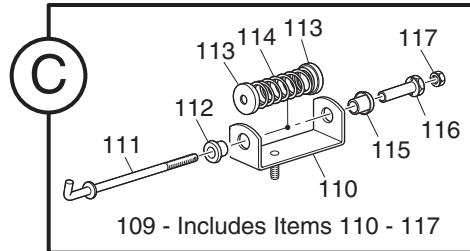
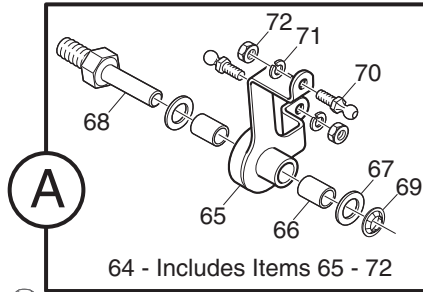


Ref Acl 5-1

ACCELERATOR - CABLE AND LINKAGES

83 - Includes Items 84 - 94

104 - Includes Items 105 - 117



Ref Acl 5-2

ACCELERATOR - CABLE AND LINKAGES

THE USE OF NON U.L. PARTS WILL VOID ANY U.L. LISTING.

When ordering parts, please specify the model and serial number of the product.

* Indicates a component that is not available as an individual part.

G** Indicates consult Customer Service Department for additional information.

ITEM	PART NO.	1	2	3	4	5	DESCRIPTION	QTY.	
1	72062-G01	PEDAL BOX ASSEMBLY (INCLUDES ITEMS 2 - 47)							1
2	70116-G01	ACCELERATOR PEDAL BRACKET.....							1
3	01051-G01	SCREW, #8 - 16 X 1/2" LG							4
4	25853-G02	PEDAL BOX AND COVER							1
5	00684-G6	SCREW, #8 - 32 X 3/4" LG							4
6	25861-G01	MICRO SWITCH.....							1
7	01050-G01	SCREW, #4 - 20 X 5/8" LG							2
8									
9	72066-G01	CONTROL ARM							1
10	23860-G1	BEARING.....							2
11	24621-G1	NYLON WASHER, 5/16".....							2
12	12064-G1	PUSH NUT, 5/16".....							1
13	25768-G01	PIVOT ROD							1
14	72199-G01	PIVOT BRACKET							1
15	14390-G1	LOCK NUT, 3/8-24							1
16									
17	72198-G03	MICRO SWITCH CAM.....							1
18	00550-G4	LOCK NUT, 5/16-24							1
19	00487-G3	SETSCREW, 1/4 - 20 X 3/8" LG							1
20	72074-G01	CONTROL ARM LINK							1
21	72225-G01	SHOULDER BOLT, #10-24 X 11/16" LG.....							1
22	00532-G4	LOCKNUT, 5/16-24							2
23	17677-G1	SPRING RETAINER							1
24	17979-G1	ACCELERATOR ROD BUSHING							1
25	73046-G01	COMPRESSION SPRING							1
26	17677-G2	SPRING RETAINER							1
27	72072-G01	ACCELERATOR ROD							1
28	10385-G4	CLEVIS YOKE (ADJUSTABLE).....							1
29	10386-G3	CLEVIS PIN, 5/16" X 1" LG							1
30	17838-G1	NYLON BUSHING							3

ACCELERATOR - CABLE AND LINKAGES

THE USE OF NON U.L. PARTS WILL VOID ANY U.L. LISTING.

When ordering parts, please specify the model and serial number of the product.

* Indicates a component that is not available as an individual part.

G** Indicates consult Customer Service Department for additional information.

ITEM	PART NO.	1	2	3	4	5	DESCRIPTION	QTY.
31	17255-G1						TEFLON WASHER, 5/16"	1
32	10387-G3						COTTER PIN, 3/32" X 3/4" LG	1
33	74432-G01						PEDAL PIVOT PIN	1
34	12064-G6						PUSH NUT, 9/32"	1
35	14390-G10						LOCK NUT, #10 - 24	1
36	12730-G1						WHEEL BEARING GREASE (NOT ILLUSTRATED)	A/R
37								
38	72201-G02						WIRE HARNESS (PEDAL BOX)	1
39	17313-G1						LOOM FLEX (BULK)	AR
40	17618-G1						WIRE TIE	2
41	72065-G01						ACCELERATOR CABLE	1
42	00559-G8						WASHER, 5/16"	1
43	25799-G01						ACCELERATOR PEDAL ASSEMBLY (INCLUDES ITEMS 44 - 47)	1
44	27844-G01						ACCELERATOR PEDAL PAD KIT (INCLUDES ITEMS 45 - 46)	1
45	15766-G1						OVAL RIVET, 3/16" X 3/8" LG	6
46	27512-G01						ACCELERATOR PEDAL PAD	1
47	*						ACCELERATOR PEDAL	
48	00715-G2						BOLT, 5/16-18 X 13/16" LG	4
49	70135-G01						PEDAL PIVOT COVER	1
50								
51	25693-G04						CHOKE CABLE (WITH NUTS)	1
52	00568-G4						LOCK WASHER, 9/16"	1
53	00545-G4						NUT, 9/16-18	1
54								
55	72155-G01						RETAINER	1
56	72154-G01						CHOKE CABLE ADAPTER	1
57								
58	00544-G4						JAM NUT, 5/16-24	2
59	25737-G01						CARBURETOR LINKAGE ROD (INCLUDES ITEMS 60 - 62)	1
60	23722-G1						ADJUSTING ROD (SHORT)	1

ACCELERATOR - CABLE AND LINKAGES

THE USE OF NON U.L. PARTS WILL VOID ANY U.L. LISTING.

When ordering parts, please specify the model and serial number of the product.

* Indicates a component that is not available as an individual part.

G** Indicates consult Customer Service Department for additional information.

ITEM	PART NO.	1	2	3	4	5	DESCRIPTION	QTY.
61	24465-G1						BALL JOINT SOCKET	2
62	00526-G4						NUT, #10-32.....	2
63								
64	25760-G01						CARBURETOR LINKAGE BELLCRANK (INCLUDES ITEMS 65 - 72).....	1
65	25759-G01						CARBURETOR PIVOT	1
66	23860-G1						BEARING.....	2
67	24621-G1						NYLON WASHER, 5/16".....	2
68	25768-G01						PIVOT ROD	1
69	12064-G1						PUSH NUT, 5/16".....	1
70	24479-G1						BALL JOINT BALL	2
71	00565-G5						LOCK WASHER, #10	2
72	00526-G4						NUT, #10-32.....	2
73	72197-G01						PIVOT BRACKET.....	1
74	14390-G1						LOCK NUT, 3/8-24	1
75	00414-G8						BOLT, 1/4-20 X 1" LG	2
76	14390-G4						LOCK NUT, 1/4-20	2
77								
78	72254-G01						THROTTLE LINKAGE ROD ASSEMBLY (INCLUDES ITEMS 79 - 81).....	1
79	72609-G01						ADJUSTING ROD (LONG).....	1
80	24465-G1						BALL JOINT SOCKET	2
81	00526-G4						NUT, #10-32.....	2
82								
83	25702-G01						GOVERNOR PIVOT BRACKET ASSEMBLY (INCLUDES ITEMS 84 - 94).....	1
84	25655-G01						BELLCRANK BRACKET.....	1
85	14390-G1						LOCK NUT, 3/8-24	1
86	25763-G01						GOVERNOR PIVOT ASSEMBLY (INCLUDES ITEMS 87 - 94)	1
87	25762-G01						GOVERNOR PIVOT.....	1
88	23860-G1						BEARING	2
89	24621-G1						NYLON WASHER, 5/16".....	2
90	25768-G01						PIVOT ROD.....	1

ACCELERATOR - CABLE AND LINKAGES

THE USE OF NON U.L. PARTS WILL VOID ANY U.L. LISTING.

When ordering parts, please specify the model and serial number of the product.

* Indicates a component that is not available as an individual part.

G** Indicates consult Customer Service Department for additional information.

ITEM	PART NO.	1	2	3	4	5	DESCRIPTION	QTY.
91	12064-G1						PUSH NUT, 5/16"	1
92	24479-G1						BALL JOINT BALL	2
93	00565-G5						LOCK WASHER, #10	2
94	00526-G4						NUT, #10-32	2
95								
96	00276-G6						BOLT, 5/16-24 X 3/4" LG	2
97	00565-G8						LOCK WASHER, 5/16"	2
98								
99	25737-G03						GOVERNOR LINKAGE ROD (INCLUDES ITEMS 100 - 102)	1
100	23722-G1						ADJUSTING ROD	1
101	24465-G1						BALL JOINT SOCKET	2
102	00526-G4						NUT, #10-32	2
103								
104	25690-G01						GOVERNOR BELLCRANK ASSEMBLY (INCLUDES ITEMS 105 - 117)	1
105	25765-G01						GOVERNOR BELLCRANK	1
106	24479-G1						BALL JOINT BALL	1
107	00734-G5						LOCK NUT, #10 - 32	1
108	14390-G4						LOCK NUT, 1/4-20	1
109	22751-G2						GOVERNOR BRACKET ASSEMBLY (INCLUDES ITEMS 110 - 117)	1
110	22752-G1						GOVERNOR BRACKET	1
111	25274-G1						GOVERNOR ROD	1
112	22754-G1						BUSHING	1
113	25661-G01						CUP WASHER	2
114	23578-G1						COMPRESSION SPRING	1
115	22754-G2						BUSHING	1
116	23859-G1						GOVERNOR ADJUSTER	1
117	00526-G4						NUT, #10-32	1
118	00491-G4						SETSCREW, 1/4-20 X 1/2" LG	2
119	25738-G01						SPRING	1
120	25286-G1						SAFETY SEAL, 3/8"	1

ACCELERATOR - CABLE AND LINKAGES

THE USE OF NON U.L. PARTS WILL VOID ANY U.L. LISTING.

When ordering parts, please specify the model and serial number of the product.

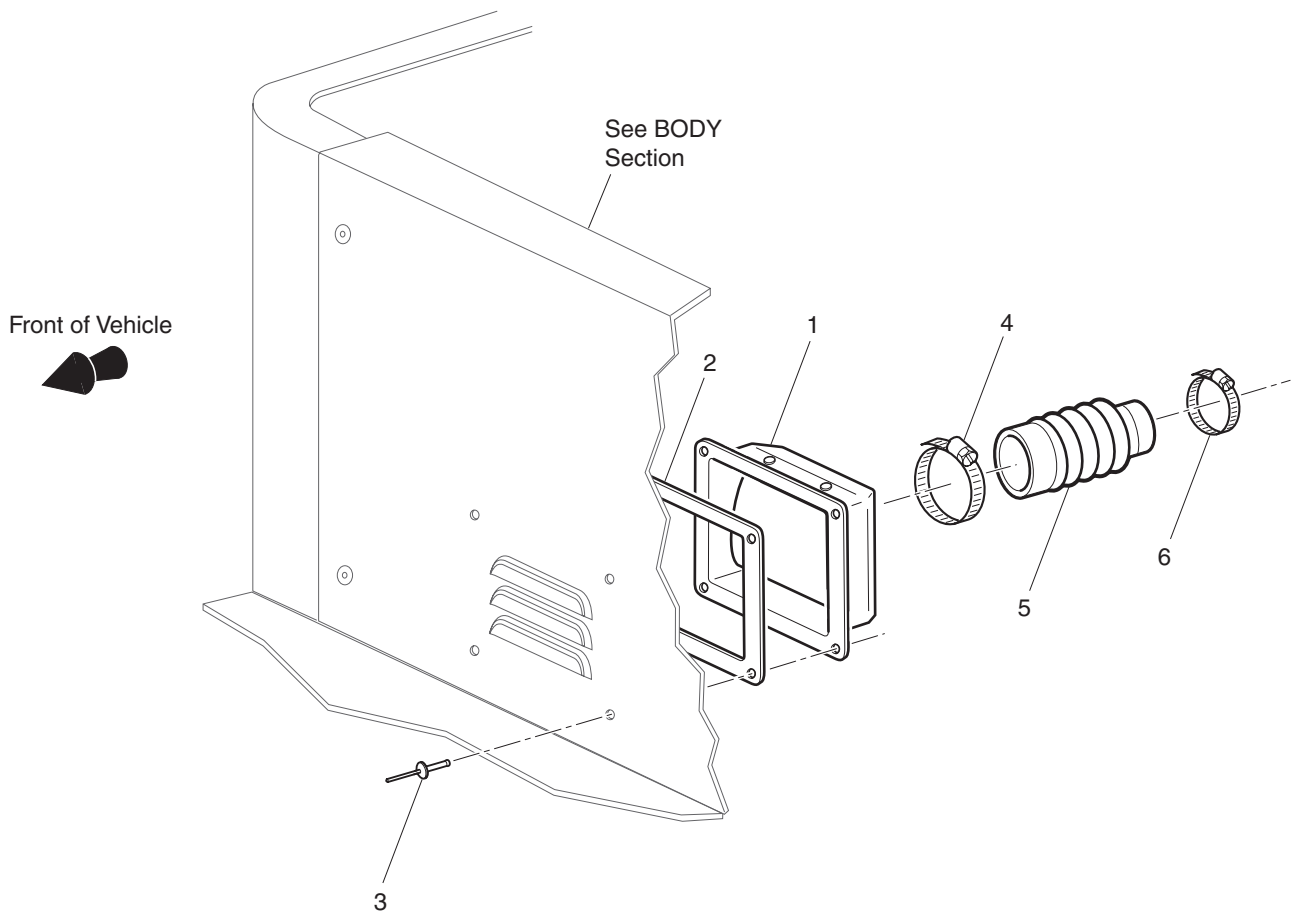
* Indicates a component that is not available as an individual part.

G** Indicates consult Customer Service Department for additional information.

ITEM	PART NO.	1	2	3	4	5	DESCRIPTION	QTY.
121	12064-G3						PUSH NUT, 3/16"	1
122								
123	25653-G01						ACCELERATOR CABLE BRACKET	1
124	26826-G01						LOCK WASHER, 8 MM	2
125	26827-G01						NUT, M8 X 1.25 MM	2
126								
127	72055-G01						ACCELERATOR CABLE BRACKET	1
128	17618-G1						WIRE TIE	7

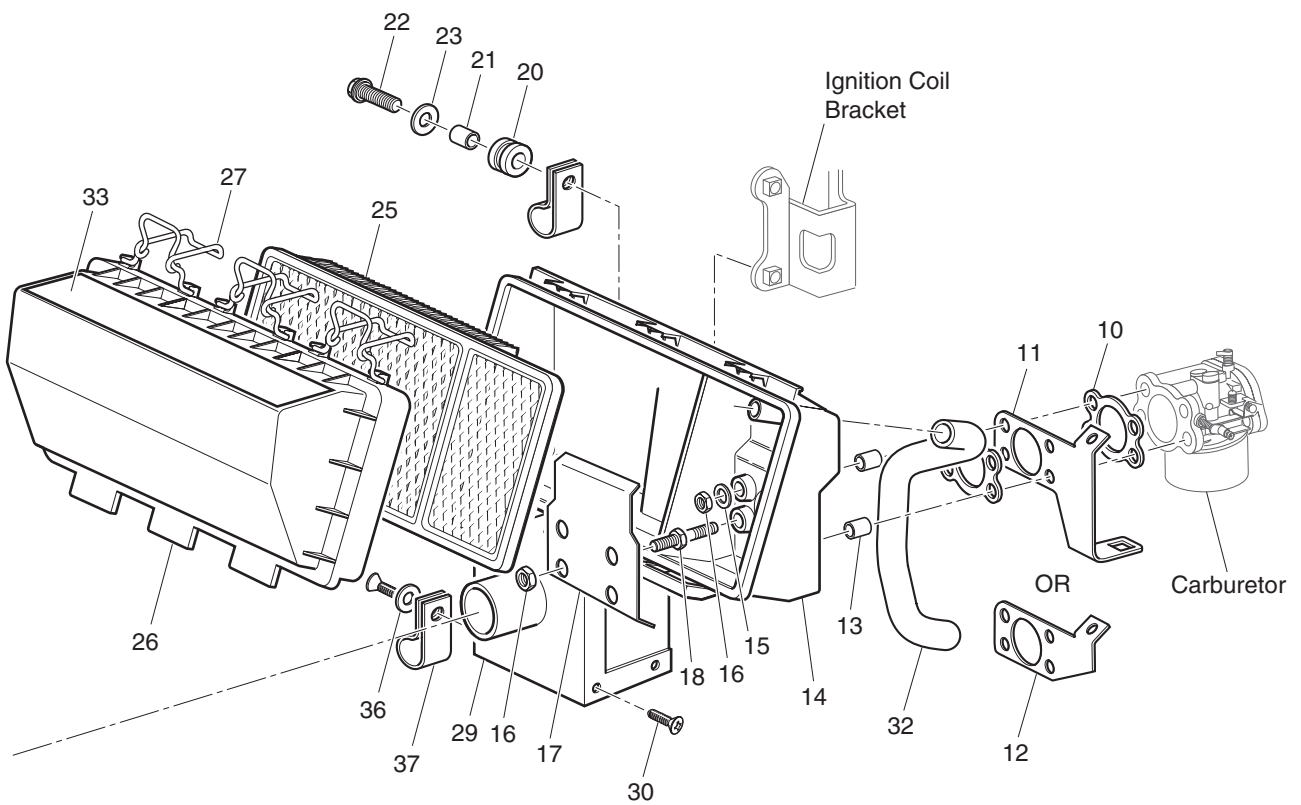
ACCELERATOR - CABLE AND LINKAGES

AIR FILTER



Ref Air 5-1

AIR FILTER



Ref Air 5-2

AIR FILTER

THE USE OF NON U.L. PARTS WILL VOID ANY U.L. LISTING.

When ordering parts, please specify the model and serial number of the product.

* Indicates a component that is not available as an individual part.

G** Indicates consult Customer Service Department for additional information.

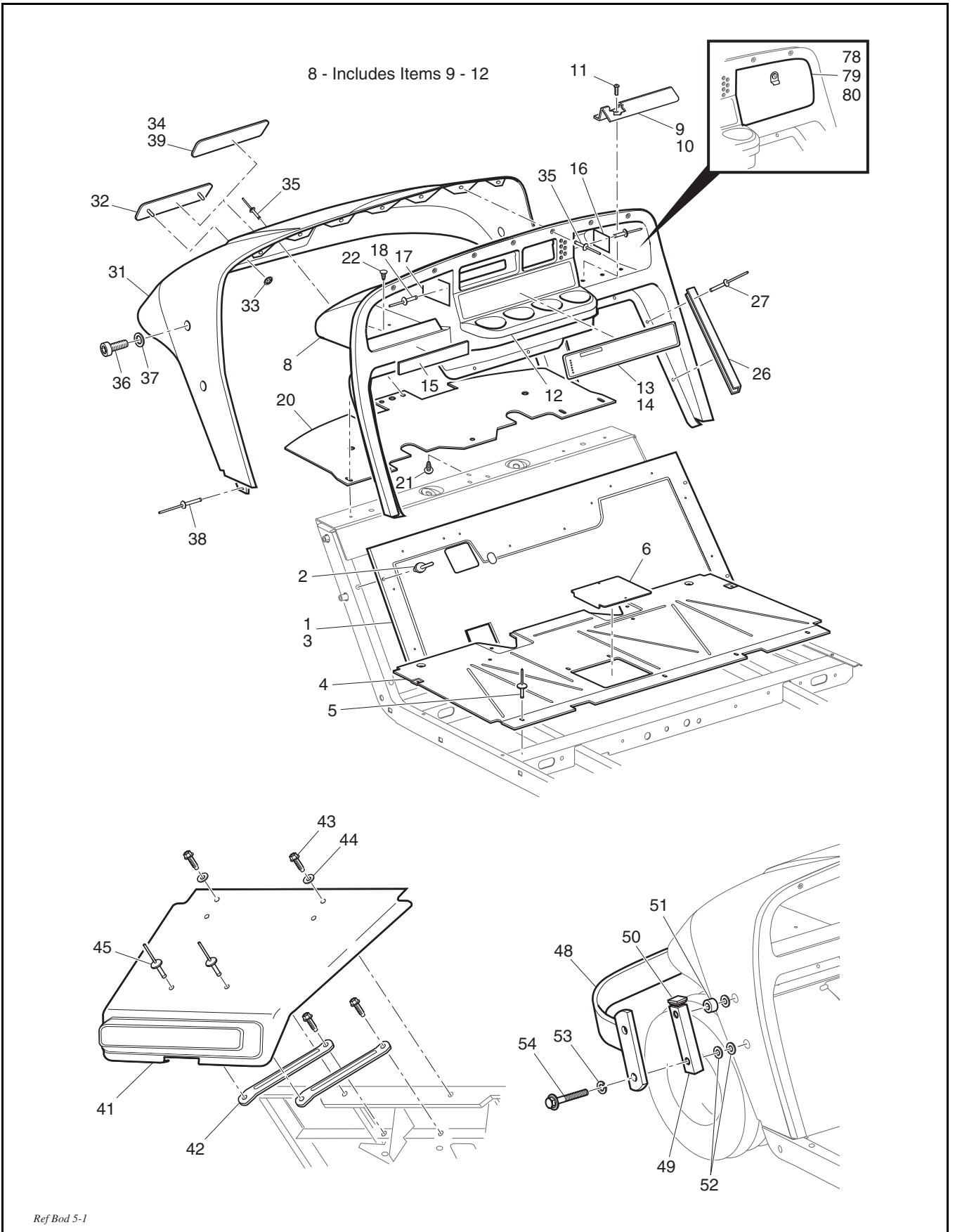
ITEM	PART NO.	1 2 3 4 5	DESCRIPTION	QTY.
1	72416-G01		INLET ADAPTER	1
2	72415-G01		GASKET	1
3	71055-G01		RIVET, 3/16" X 3/8" LG	4
4	11391-G2		CLAMP, 2"	1
5	72367-G02		HOSE, 9"	1
6	11391-G5		HOSE CLAMP, 3/4"	1
7				
8				
9				
10	72710-G01		CARBURETOR / AIR BOX GASKET	2
11	72739-G01		CHOKE / THROTTLE BRACKET.....	1
12	26728-G01		CHOKE BRACKET.....	1
13	23726-G6		SPACER, 7/16".....	4
14	72178-G02		HOUSING.....	1
15	00664-G7		LOCK WASHER, 6 MM	2
16	13632-G1		NUT, M6 X 1	4
17	72529-G01		BAFFLE	1
18	72514-G01		STUD, M6 X 1 X 30 MM LG	2
19				
20	72147-G01		RUBBER GROMMET.....	2
21	23726-G7		SPACER, 9/16".....	2
22	26671-G01		BOLT AND WASHER, M6 X 1 X 30 MM LG	2
23	26701-G01		WASHER, 6.5 MM.....	2
24				
25	72368-G01		AIR FILTER ELEMENT	1
26	72179-G02		AIR FILTER COVER.....	1
27	72145-G01		LATCH.....	3
28				
29	72146-G02		INLET COVER	1
30	00614-G5		SCREW, #8 - 18 X 5/8" LG.....	6

AIR FILTER

THE USE OF NON U.L. PARTS WILL VOID ANY U.L. LISTING.
 When ordering parts, please specify the model and serial number of the product.
 * Indicates a component that is not available as an individual part.
 G** Indicates consult Customer Service Department for additional information.

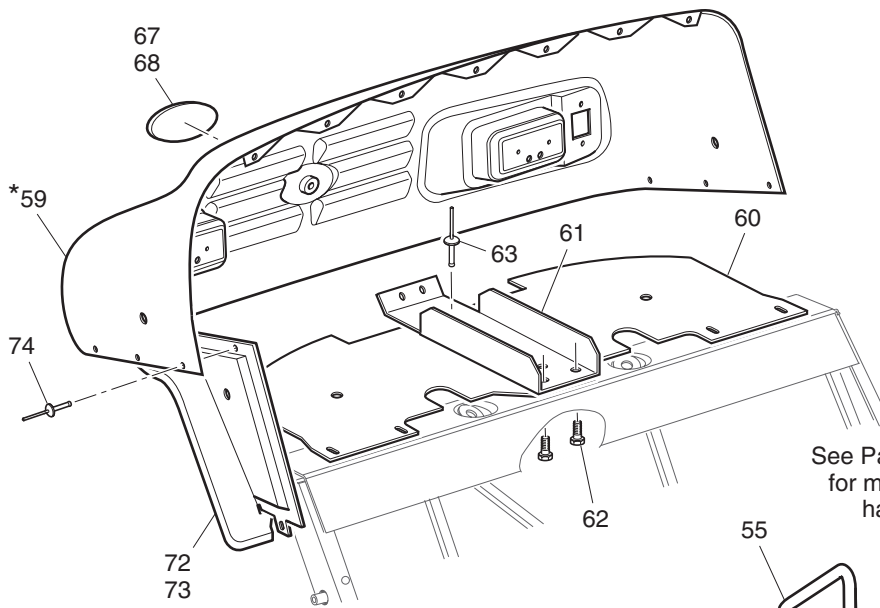
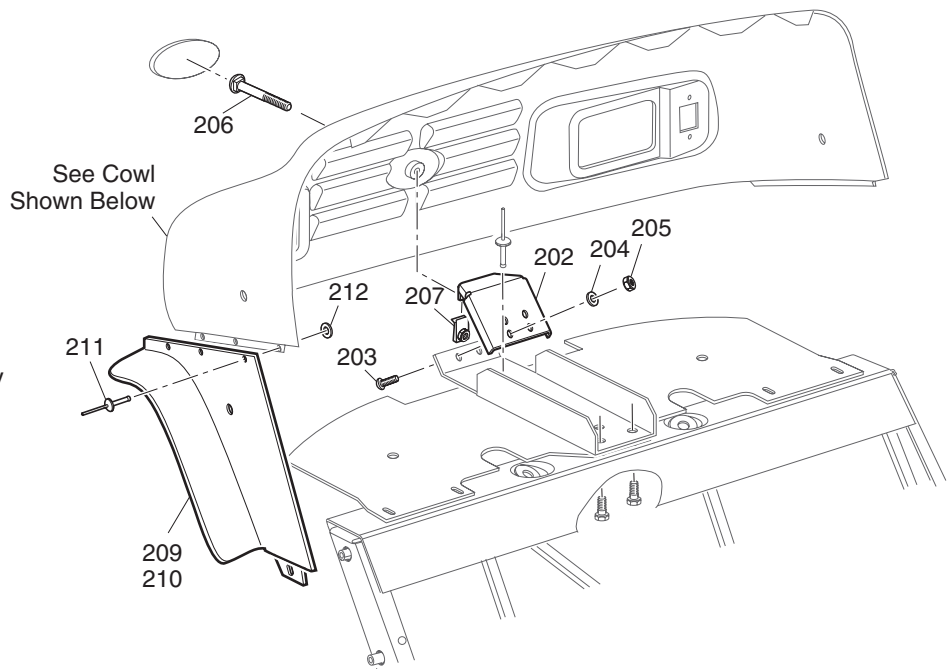
ITEM	PART NO.	1 2 3 4 5	DESCRIPTION	QTY.
31				
32	72151-G01		PCV HOSE	1
33	74093-G01		LABEL (WARNING).....	1
34				
35				
36	00559-G5		WASHER, #10.....	1
37	27327-G01		CLAMP	2

BODY



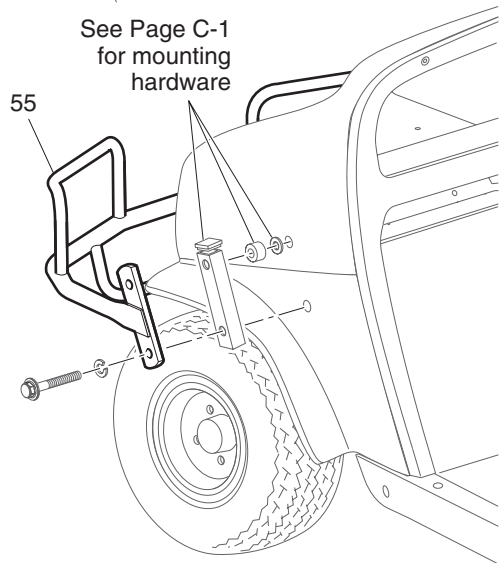
LX / SE MODEL

**Cowl Mounted Behind
Top Of Fender Flare:**
Used On All 2001 And Early
2002 Model Vehicles



Cowl Mounted Over Top Of Fender Flare:
Used On Most 2002 Model Vehicles

***NOTE:** This Cowl Is Service Replacement
For All Prior Model Years When
Ordered With Retrofit Kit (Item 215)

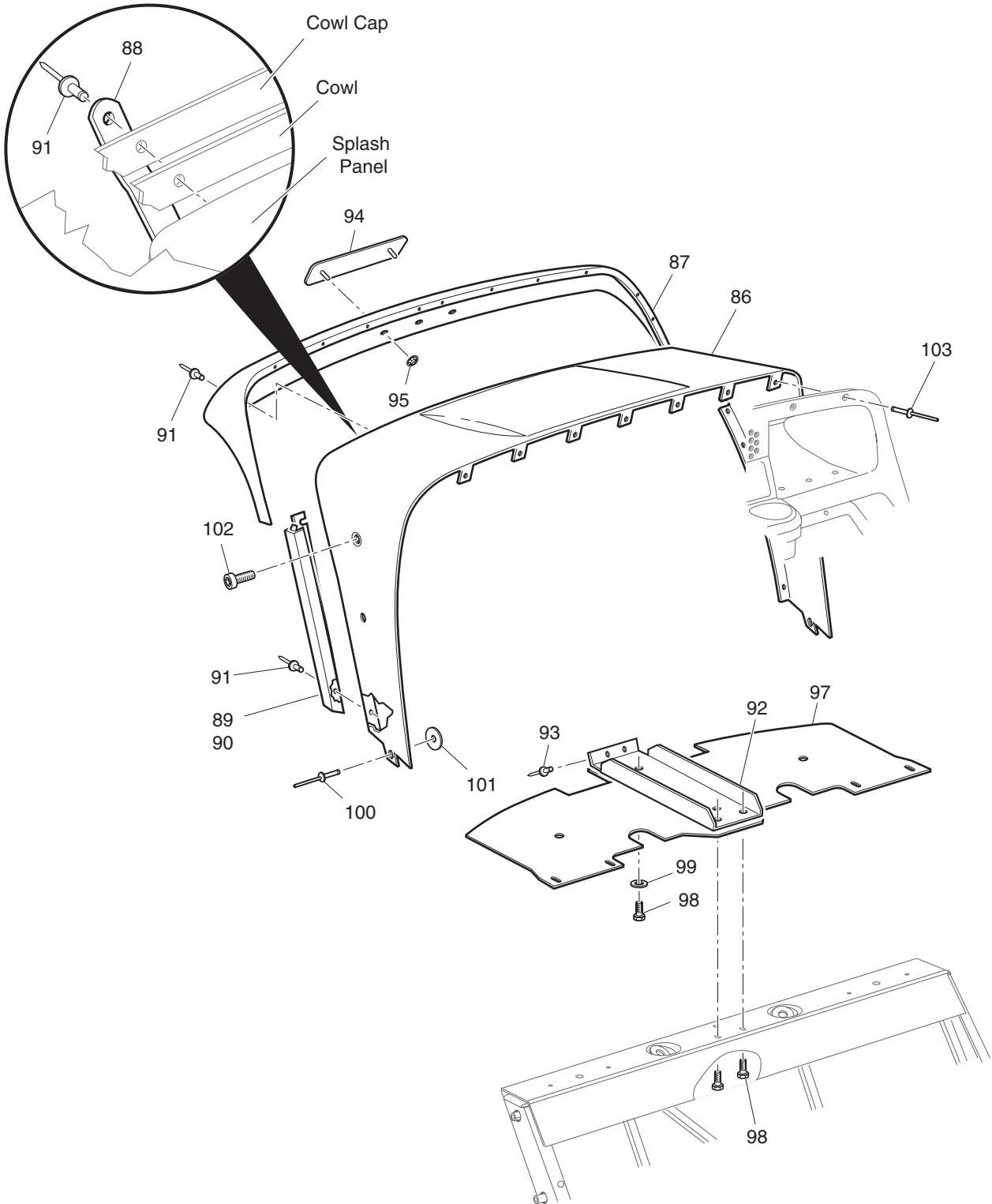


Ref Bod 5-2

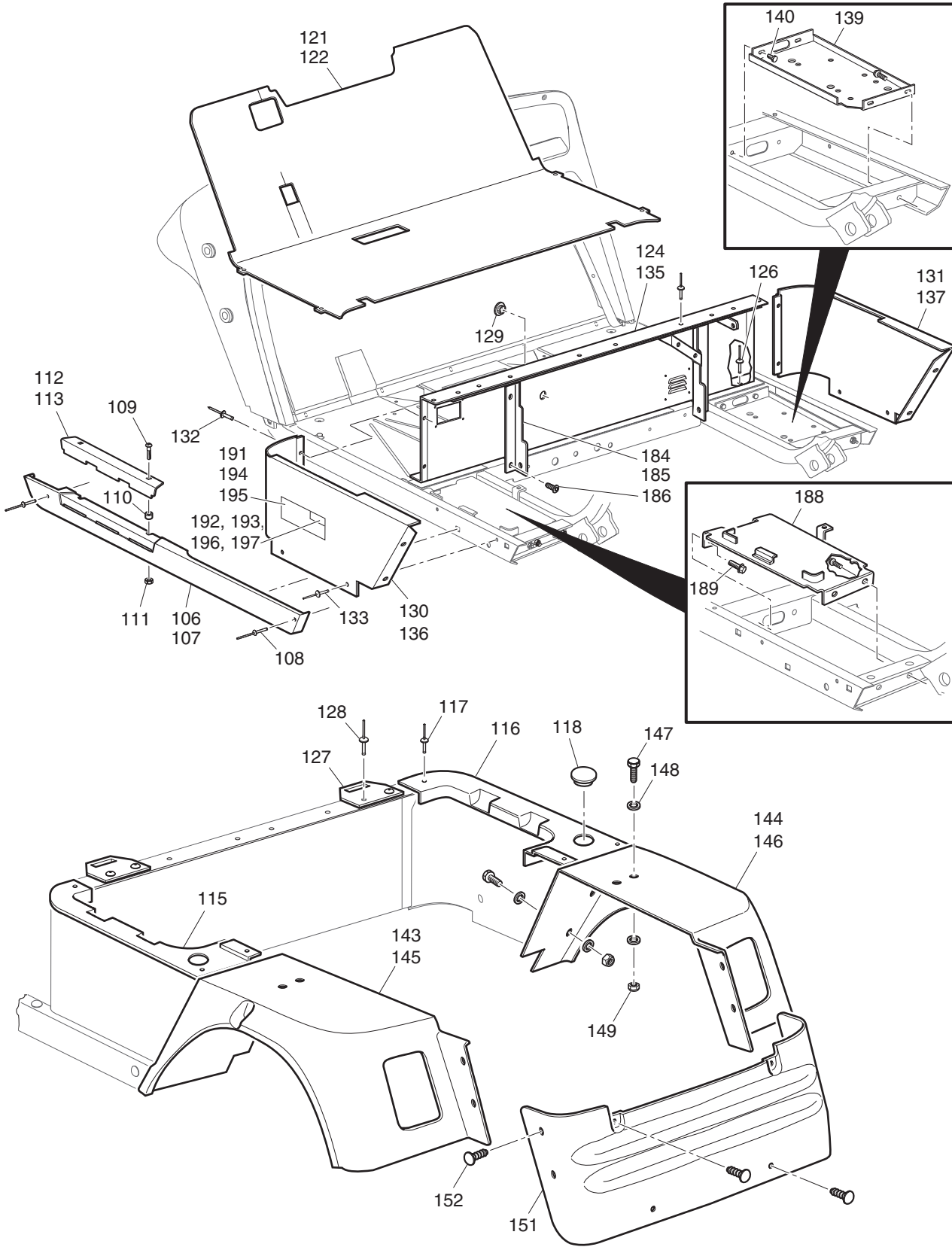
BODY

INDUSTRIAL COWL

85 - Includes Items 86 - 95



Ref Bod 5-3

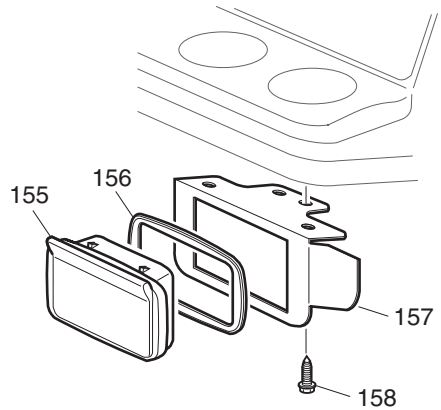


Ref Bod 5-4

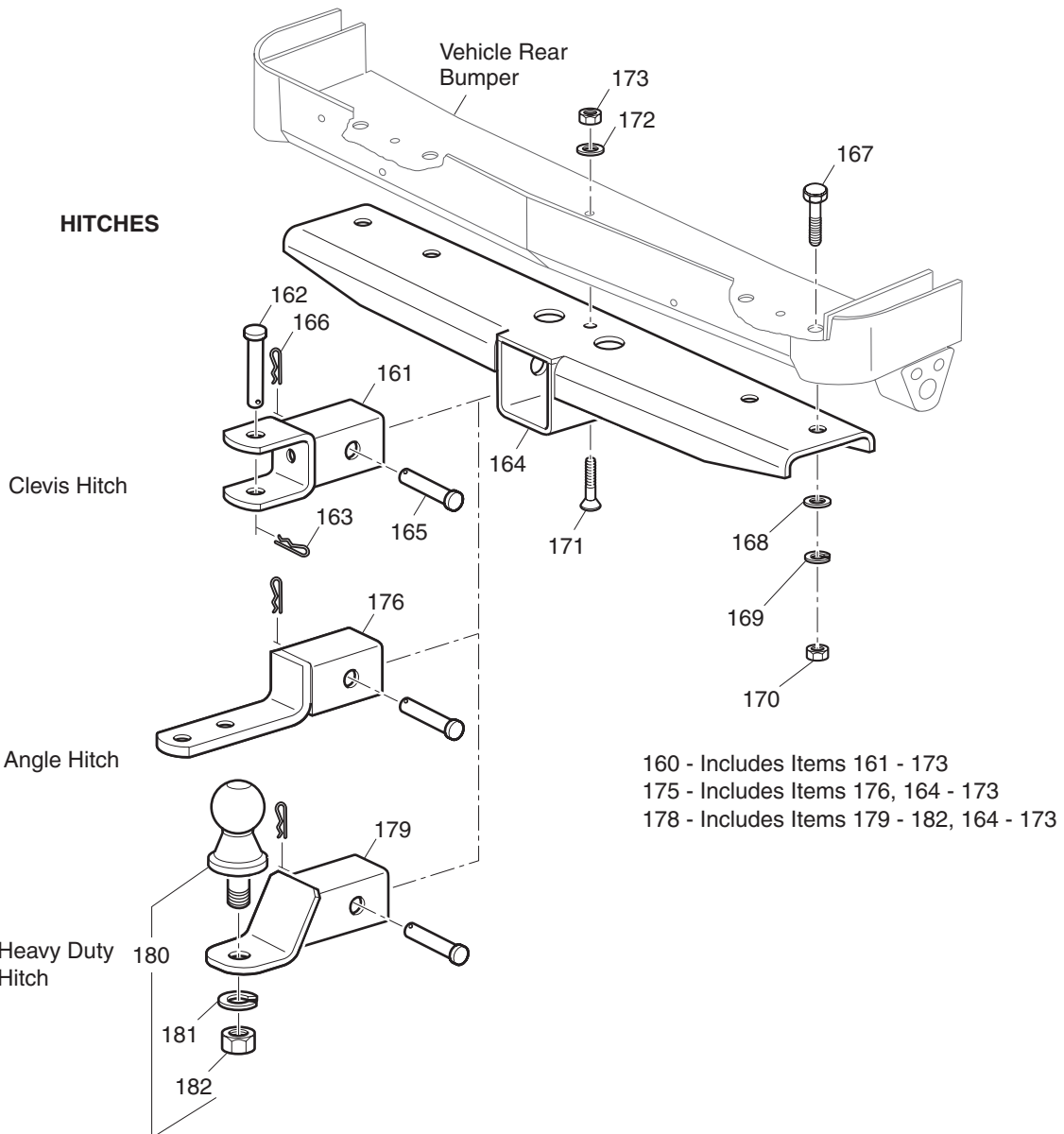
BODY

ASH TRAY

154 - Includes Items 155 - 158



HITCHES



Ref Bod 5-5

THE USE OF NON U.L. PARTS WILL VOID ANY U.L. LISTING.
 When ordering parts, please specify the model and serial number of the product.
 * Indicates a component that is not available as an individual part.
 G** Indicates consult Customer Service Department for additional information.

ITEM	PART NO.	1 2 3 4 5	DESCRIPTION	QTY.
1	70662-G01		UPPER FLOORPAN (AXLE MOUNTED STEERING)	1
2	14601-G11		RIVET, 3/16" X 9/16" LG	9
3	71510-G01		UPPER FLOORPAN (FRAME MOUNTED STEERING)	1
4	70451-G01		LOWER FLOORPAN.....	1
5	14601-G11		RIVET, 3/16" X 9/16" LG	7
6	70452-G01		ACCESS COVER.....	1
7				
8	71151-G01		INSTRUMENT PANEL ASSEMBLY (INCLUDES ITEMS 9 - 12)	1
9	71153-G01		DEFLECTOR (PASSENGER SIDE)	1
10	71154-G01		DEFLECTOR (DRIVER SIDE).....	1
11	00614-G5		SCREW, #8 - 18 X 5/8" LG	6
12	71158-G01		INSTRUMENT PANEL INSERT (FOUR CUP).....	1
13	71177-G01		LABEL (SAFETY) (TEXT)	1
14	74409-G01		LABEL (SAFETY) (PICTOGRAPH).....	1
15	74443-G01		LABEL (ANTI-ROLLBACK)	1
16	*		SERIAL NUMBER PLATE	1
17	*		CAPACITY PLATE.....	1
18	01041-G01		RIVET, 5/32" X 7/8" LG	4
19				
20	71413-G01		SPLASH PANEL.....	1
21	16816-G2		RATCHET FASTENER, 1/4" X 3/4" LG	1
22	16816-G2		RATCHET FASTENER, 1/4" X 3/4" LG	4
23				
24				
25				
26	71115-G01		VINYL TRIM	2
27	71055-G01		RIVET, 3/16" X 1" LG	10
28				
29				
30				

BODY

THE USE OF NON U.L. PARTS WILL VOID ANY U.L. LISTING.

When ordering parts, please specify the model and serial number of the product.

* Indicates a component that is not available as an individual part.

G** Indicates consult Customer Service Department for additional information.

ITEM	PART NO.	1 2 3 4 5	DESCRIPTION	QTY.
31	71051-G**		COWL.....	1
32	71037-G02		NAMEPLATE (E-Z-GO).....	1
33	12064-G3		PUSHNUT, 3/16"	2
34	74403-G01		NAMEPLATE (CUSHMAN)	1
35	71055-G01		RIVET, 3/16" X 1" LG	9
36	71056-G01		BOLT, 5/16 - 18 X 5/8" LG	4
37	00570-G2		WASHER, 5/16"	4
38	14601-G13		RIVET, 5/32" X 9/16" LG	2
39	26947-G01		NAMEPLATE (JACOBSEN)	1
40				
41	27166-G02		FRONT SHIELD	1
42	71015-G01		FRONT SHIELD BRACE.....	2
43	01038-G01		SCREW, 1/4 - 20 X 1/2" LG.....	4
44	16469-G7		WASHER, 1/4"	2
45	01057-G01		RIVET, KTR, 1/4" X 1" LG	2
46				
47				
48	74040-G01		FRONT BUMPER.....	1
49	74037-G01		SPACER TUBE	2
50	19859-G1		END CAP, 3/4".....	2
51	75048-G01		SPACER, 1/2".....	2
52	00570-G2		WASHER, 5/16"	6
53	00905-G8		LOCK WASHER, 5/16".....	4
54	01035-G02		BOLT, 5/16 - 18 X 2 1/2" LG	4
55	74265-G01		BUMPER (LX / SE)	1
56				
57				
58				
59	71468-G**		COWL (LX / SE).....	1
60	71413-G01		SPLASH PANEL.....	1

THE USE OF NON U.L. PARTS WILL VOID ANY U.L. LISTING.
 When ordering parts, please specify the model and serial number of the product.
 * Indicates a component that is not available as an individual part.
 G** Indicates consult Customer Service Department for additional information.

ITEM	PART NO.	1 2 3 4 5	DESCRIPTION	QTY.
61	71101-G01		COWL SUPPORT BRACKET	1
62	71102-G02		SELF TAPPING SCREW, 1/4 - 20 X 1/2" LG	3
63	71055-G02		RIVET, 3/16" X 1 1/8" LG	1
64				
65				
66				
67	71289-G01		NAMEPLATE (E-Z-GO) (OVAL)	1
68	74401-G01		NAMEPLATE (CUSHMAN) (OVAL).....	1
69				
70				
71				
72	71338-G01		FENDER FLARE (DRIVER SIDE).....	1
73	71338-G02		FENDER FLARE (PASSENGER SIDE)	1
74	71055-G01		RIVET, 3/16" X 1" LG	6
75				
76				
77				
78	75459-G01		GLOVE BOX DOORS (BOTH SIDES)	1
79	75459-G02		GLOVE BOX DOOR (DRIVER SIDE)	1
80	75459-G03		GLOVE BOX DOOR (PASSENGER SIDE).....	1
81				
82				
83				
84				
85	71025-G02		COWL ASSEMBLY (INDUSTRIAL) (INCLUDES ITEMS 86 - 95).....	1
86	71071-G**		COWL (INDUSTRIAL)	1
87	71030-G01		COWL CAP	1
88	71076-G01		TAB	2
89	71035-G01		FENDER FLANGE (PASSENGER SIDE).....	1
90	71036-G01		FENDER FLANGE (DRIVER SIDE)	1

BODY

THE USE OF NON U.L. PARTS WILL VOID ANY U.L. LISTING.

When ordering parts, please specify the model and serial number of the product.

* Indicates a component that is not available as an individual part.

G** Indicates consult Customer Service Department for additional information.

ITEM	PART NO.	1	2	3	4	5	DESCRIPTION	QTY.
91	14601-G10						RIVET, 5/32" X 7/16" LG	16
92	71101-G01						COWL SUPPORT BRACKET	1
93	10570-G10						RIVET, 5/32" X 9/16" LG	2
94	71037-G02						NAMEPLATE (E-Z-GO) (GOLD)	1
95	12064-G3						PUSHNUT, 3/16"	3
96								
97	71117-G01						FRONT COWL SPLASH PANEL.....	1
98	71102-G02						BOLT, 1/4 - 20 X 1/2" LG	4
99	16469-G7						WASHER, 1/4"	1
100	10570-G11						RIVET, 3/16" X 3/4" LG	2
101	15121-G3						WASHER, 1 1/4" X 7/32"	2
102	71056-G01						BOLT, 5/16 - 18 X 5/8" LG	4
103	14601-G10						RIVET, 5/32" X 7/16" LG	7
104								
105								
106	71502-G01						ROCKER PANEL (DRIVER SIDE)	1
107	71501-G01						ROCKER PANEL (PASSENGER SIDE).....	1
108	15058-G6						RIVET, 3/16" X 3/4" LG	4
109	16705-G1						SCREW, 1/4 - 20 X 1" LG.....	4
110	23726-G4						SPACER	4
111	00891-G2						LOCK NUT, 1/4 - 20	4
112	71507-G02						SILL PLATE (DRIVER SIDE).....	1
113	71507-G01						SILL PLATE (PASSENGER SIDE).....	1
114								
115	71588-G01						SEAT FILLER PANEL (DRIVER SIDE)	1
116	71588-G02						SEAT FILLER PANEL (PASSENGER SIDE).....	1
117	14601-G10						RIVET, 5/32" X 7/16" LG	6
118	20271-G3						HOLE PLUG, 2"	2
119								
120								

THE USE OF NON U.L. PARTS WILL VOID ANY U.L. LISTING.
 When ordering parts, please specify the model and serial number of the product.
 * Indicates a component that is not available as an individual part.
 G** Indicates consult Customer Service Department for additional information.

ITEM	PART NO.	1 2 3 4 5	DESCRIPTION	QTY.
121	70048-G**		FLOORMAT (FRAME MOUNTED STEERING)	1
122	70663-G**		FLOORMAT (AXLE MOUNTED STEERING).....	1
123				
124	71844-G**		SEAT WRAP PANEL WITH LOUVERS.....	1
125				
126	10570-G10		RIVET, 5/32" X 9/16" LG	8
127	71609-G01		SEAT HINGE PLATE	2
128	10570-G11		RIVET, 3/16" X 3/4" LG	4
129	20271-G9		HOLE PLUG, 1/2"	1
130	71259-G01		SIDE PANEL (DRIVER SIDE)	1
131	71259-G02		SIDE PANEL (PASSENGER SIDE).....	1
132	10570-G10		RIVET, 5/32" X 9/16" LG	4
133	10570-G12		RIVET, 1/4" X 1/2" LG	4
134				
135	71379-G29		SEAT WRAP (INDUSTRIAL).....	1
136	71259-G13		SIDE PANEL (INDUSTRIAL) (DRIVER SIDE)	1
137	71259-G14		SIDE PANEL (INDUSTRIAL) (PASSENGER SIDE).....	1
138				
139	70244-G02		SPLASH PANEL.....	1
140	00715-G2		BOLT, 5/16 - 18 X 13/16" LG	4
141				
142				
143	71224-G01		FENDER (DRIVER SIDE)	1
144	71224-G02		FENDER (PASSENGER SIDE).....	1
145	71224-G03		FENDER WITH TAILLIGHT (DRIVER SIDE)	1
146	71224-G04		FENDER WITH TAILLIGHT (PASSENGER SIDE).....	1
147	00414-G6		BOLT, 1/4 - 20 X 3/4" LG	8
148	00642-G7		WASHER, 1/4"	16
149	00891-G2		LOCK NUT, 1/4 - 20	8
150				

BODY

THE USE OF NON U.L. PARTS WILL VOID ANY U.L. LISTING.

When ordering parts, please specify the model and serial number of the product.

* Indicates a component that is not available as an individual part.

G** Indicates consult Customer Service Department for additional information.

ITEM	PART NO.	1 2 3 4 5	DESCRIPTION	QTY.
151	71225-G01		REAR PANEL	1
152	16816-G2		RATCHET FASTENER, 1/4" X 3/4" LG	8
153				
154	75109-G02		ASH TRAY KIT (INCLUDES ITEMS 155 - 158)	1
155	27731-G01		ASH TRAY	1
156	27736-G01		GASKET	1
157	75108-G01		BRACKET	1
158	00100-G4		SCREW, #10 - 16 X 1/2" LG	4
159				
160	74270-G07		CLEVIS HITCH KIT (INCLUDES ITEMS 161 - 173)	1
161	74338-G01		CLEVIS HITCH	1
162	14443-G7		CLEVIS PIN, 1/2" X 2 1/2" LG	1
163	19314-G1		COTTER PIN, 2 1/2" LG	1
164	74348-G01		HITCH RECEIVER.....	1
165	21317-G01		CLEVIS PIN, 5/8" X 3" LG	1
166	21683-G1		COTTER PIN, 15/32" X 2 11/16" LG.....	1
167	00463-G4		BOLT, 7/16 - 14 X 1 1/2" LG.....	4
168	00922-G3		WASHER, 7/16"	4
169	00566-G2		LOCK WASHER, 7/16"	4
170	00734-G1		LOCK NUT, 7/16 - 14	4
171	00198-G8		SCREW, 5/16 - 18 X 1" LG	1
172	00569-G2		WASHER, 5/16"	1
173	11098-G6		LOCK NUT, 5/16 - 18.....	1
174				
175	74270-G05		ANGLE HITCH KIT (INCLUDES ITEMS 176 AND 164 - 173)	1
176	74339-G01		ANGLE HITCH.....	1
177				
178	74270-G03		HEAVY DUTY HITCH KIT (INCLUDES ITEMS 179 - 182 AND 164 - 173).....	1
179	74351-G01		HEAVY DUTY HITCH	1
180	31757-G1		HITCH BALL, 1 7/8"	1

THE USE OF NON U.L. PARTS WILL VOID ANY U.L. LISTING.
 When ordering parts, please specify the model and serial number of the product.
 * Indicates a component that is not available as an individual part.
 G** Indicates consult Customer Service Department for additional information.

ITEM	PART NO.	1 2 3 4 5	DESCRIPTION	QTY.
181	00566-G6		LOCK WASHER, 3/4"	1
182	00702-G11		NUT, 3/4 - 16.....	1
183				
184	70440-G01		SEAT FRAME (FOR DUAL CABLE DIRECTION SELECTOR)	1
185	70440-G03		SEAT FRAME (FOR SINGLE CABLE DIRECTION SELECTOR).....	1
186	00715-G2		BOLT, 5/16 - 18 X 13/16" LG	2
187				
188	70245-G01		BATTERY TRAY.....	1
189	00715-G2		BOLT, 5/16 - 18 X 13/16" LG	4
190				
191	35062-G01		LABEL (WORKHORSE [®]).....	2
192	35430-G07		LABEL (800).....	2
193	35430-G06		LABEL (800 LX)	2
194	35432-G01		LABEL (INDUSTRIAL)	2
195	74407-G01		LABEL (COMMANDER™)	2
196	74416-G06		LABEL (280).....	2
197	74416-G05		LABEL (280 SE).....	2
198				
199				
200				
201				
202	71463-G01		COWL SUPPORT BRACE	1
203	00740-G4		SCREW, #10 - 32 X 1/2" LG.....	2
204	00559-G5		WASHER, #10.....	2
205	00921-G8		LOCK NUT, #10 - 32	2
206	16705-G9		SCREW, 1/4 - 20 X 1 1/4" LG.....	1
207	14776-G1		RETAINER NUT ('J' TYPE), 1/4 - 20.....	1
208				
209	75815-G01		FENDER FLARE (DRIVER SIDE).....	1
210	75815-G02		FENDER FLARE (PASSENGER SIDE)	1

BODY

THE USE OF NON U.L. PARTS WILL VOID ANY U.L. LISTING.

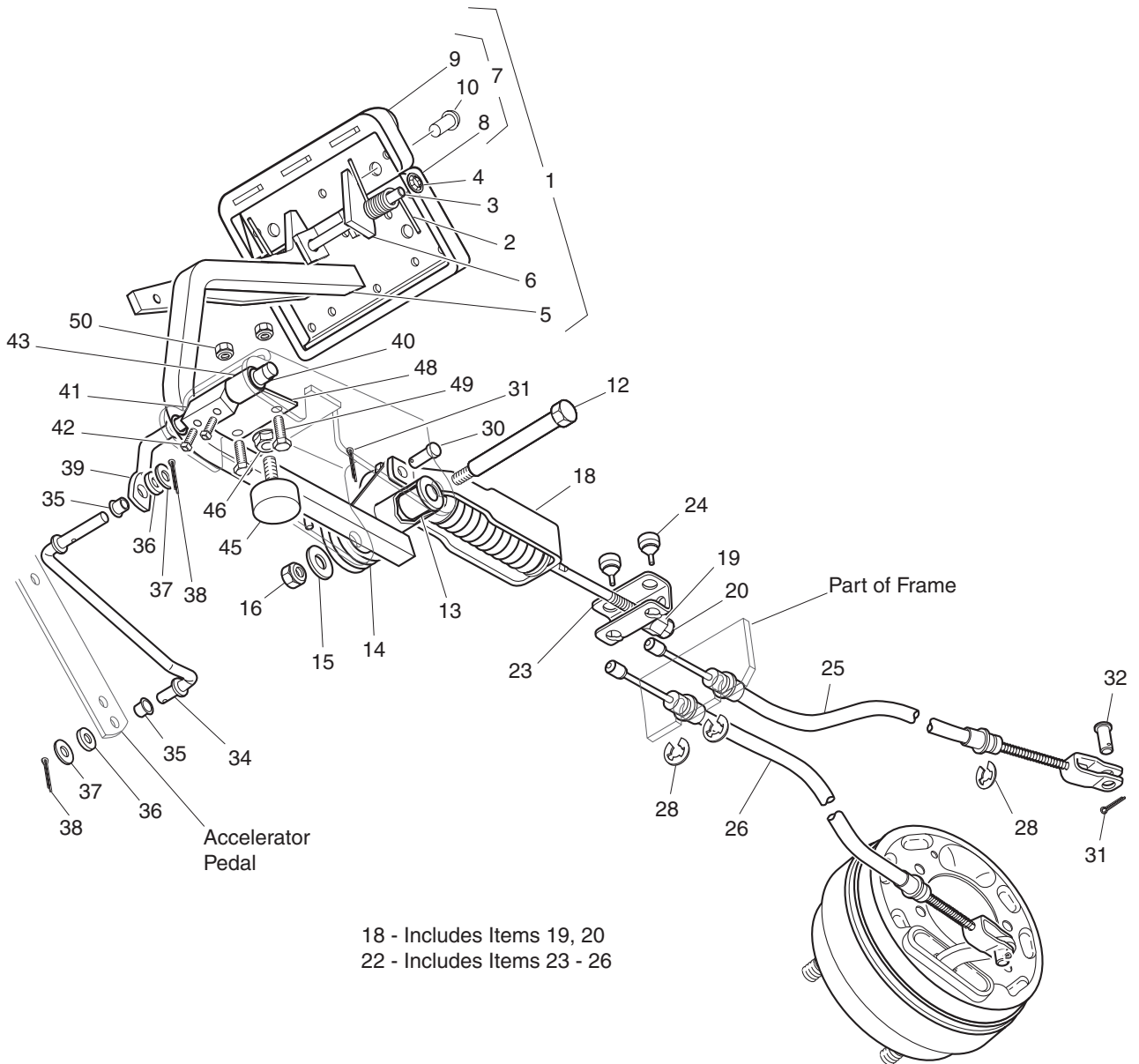
When ordering parts, please specify the model and serial number of the product.

* Indicates a component that is not available as an individual part.

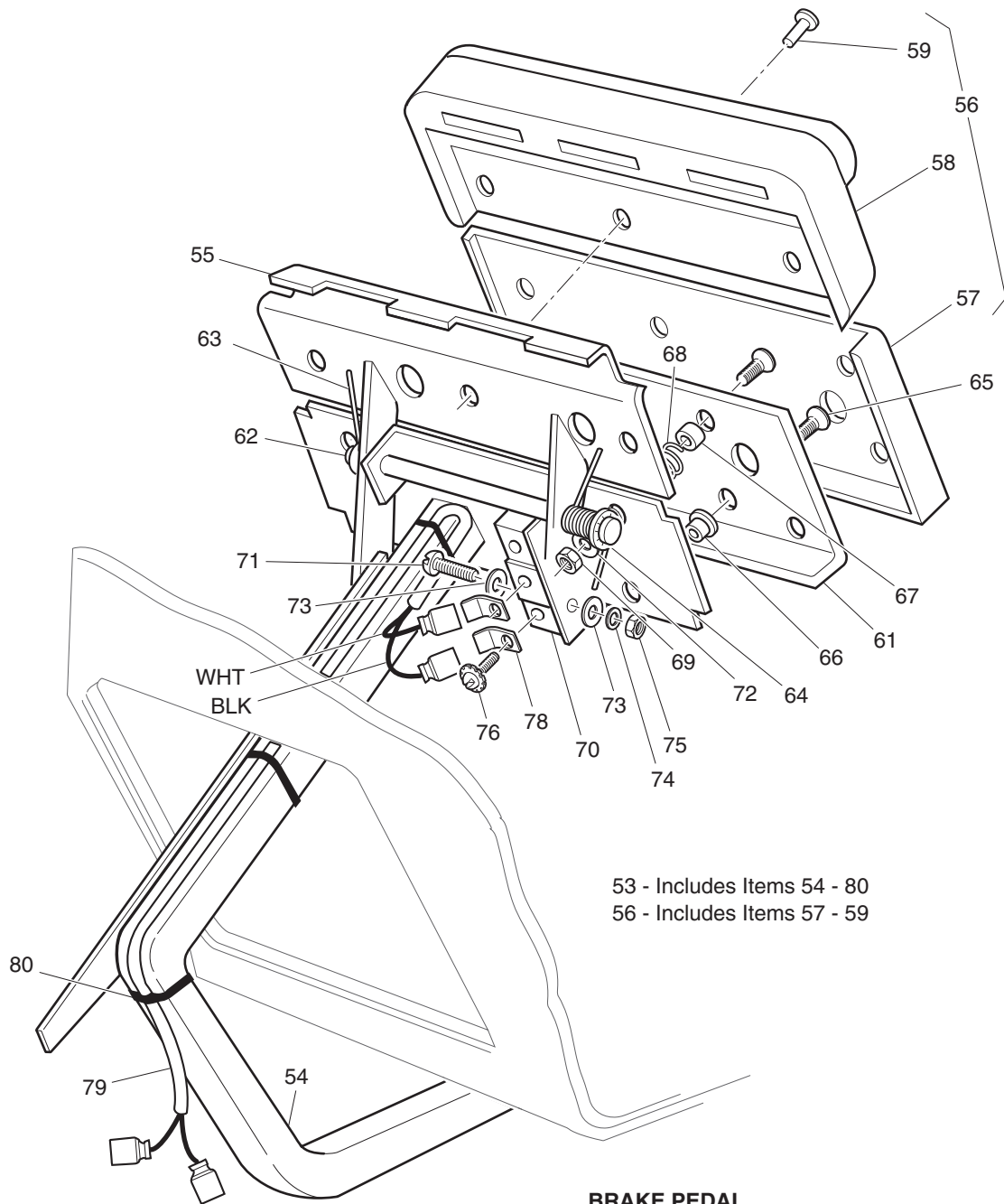
G** Indicates consult Customer Service Department for additional information.

ITEM	PART NO.	1 2 3 4 5	DESCRIPTION	QTY.
211	71045-G01		RIVET, 5/32 X 3/4" LG.....	6
212	00559-G4		WASHER, #8.....	6
213				
214				
215	73464-G01		COWL RETROFIT SERVICE KIT (INCLUDES ITEMS 72-74, 86 AND 87).....	1

BRAKES

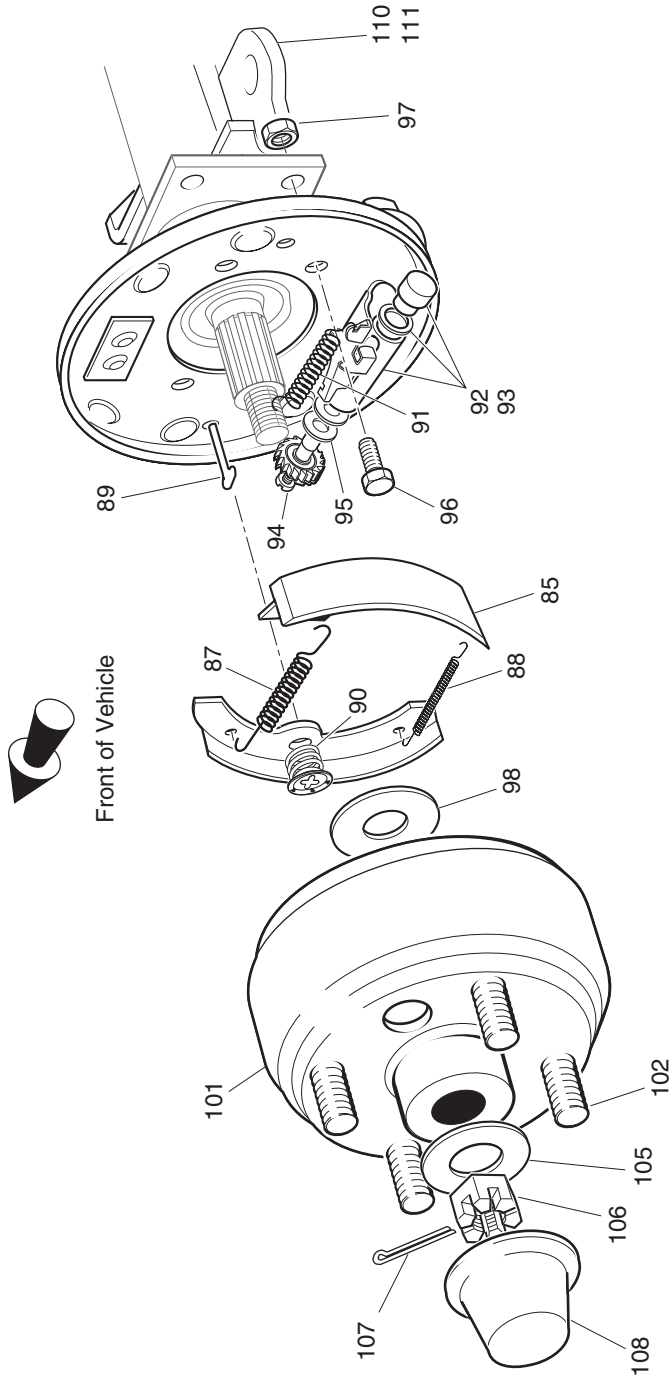


Ref Brk 5-1



**BRAKE PEDAL
(VEHICLE WITH BRAKE LIGHTS)**

BRAKES



- 82 - Includes Items 84 - 92
- 83 - Includes Items 84-91, 93
- 84 - Includes Items 85
- 86 - Includes Items 87 - 91
- 92 - Includes Items 94, 95
- 93 - Includes Items 94, 95
- 100 - Includes Items 101, 102

Ref Brk 5-3

BRAKES

THE USE OF NON U.L. PARTS WILL VOID ANY U.L. LISTING.

When ordering parts, please specify the model and serial number of the product.

* Indicates a component that is not available as an individual part.

G** Indicates consult Customer Service Department for additional information.

ITEM	PART NO.	1 2 3 4 5	DESCRIPTION	QTY.
1	70612-G01		BRAKE PEDAL ASSEMBLY (WITHOUT BRAKE LIGHTS) (INCLUDES ITEMS 2 - 10).....	1
2	70681-G01		TORSION SPRING.....	2
3	70682-G01		PIVOT PIN.....	1
4	01071-G01		PUSHNUT, 5/16".....	1
5	*		BRAKE PEDAL.....	1
6	70611-G01		PARK BRAKE PEDAL.....	1
7	70274-G01		BRAKE/PARK BRAKE PEDAL PAD KIT (INCLUDES ITEMS 8 - 10).....	1
8	*		SERVICE BRAKE PAD.....	1
9	*		PARK BRAKE PEDAL PAD.....	1
10	15766-G1		OVAL RIVET, 3/16" X 3/8" LG.....	9
11				
12	70582-G01		SHOULDER BOLT, 3/8 - 16 X 4" LG.....	1
13	70581-G01		FLANGED BUSHING.....	2
14	70676-G01		TORSION SPRING.....	1
15	00643-G1		WASHER, 3/8".....	1
16	11098-G5		LOCK NUT, 3/8 - 16.....	1
17				
18	70272-G04		COMPENSATOR ASSEMBLY (INCLUDES ITEMS 19, 20).....	1
19	00963-G01		SPHERICAL NUT, 5/16 - 24.....	1
20	11098-G9		LOCK NUT, 5/16 - 24.....	1
21				
22	70969-G03		EQUALIZER AND BRAKE CABLE ASSEMBLY (INCLUDES ITEMS 23-26).....	1
23	28082-G01		EQUALIZER BRACKET.....	1
24	28083-G01		BRAKE COMPENSATOR BUMPER.....	2
25	*		BRAKE CABLE (DRIVER SIDE).....	1
26	*		BRAKE CABLE (PASSENGER SIDE).....	1
27				
28	12305-G1		RETAINING RING.....	4
29				

BRAKES

THE USE OF NON U.L. PARTS WILL VOID ANY U.L. LISTING.

When ordering parts, please specify the model and serial number of the product.

* Indicates a component that is not available as an individual part.

G** Indicates consult Customer Service Department for additional information.

ITEM	PART NO.	1 2 3 4 5	DESCRIPTION	QTY.
30	10386-G3		CLEVIS PIN, 5/16" X 1" LG	3
31	10387-G3		COTTER PIN, 3/32" X 3/4" LG	3
32	14443-G2		CLEVIS PIN, 5/16" X 3/4" LG	2
33				
34	70601-G01		KICK-OFF LINK.....	1
35	17838-G1		NYLON BUSHING.....	2
36	20835-G1		TEFLON WASHER, 3/8"	2
37	00559-G8		WASHER, 5/16"	2
38	10387-G3		COTTER PIN, 3/32" X 3/4" LG	2
39	70098-G01		KICK-OFF CAM PIVOT.....	1
40	10097-G6		FLANGED BEARING	2
41	70587-G01		KICK-OFF CAM.....	1
42	71215-G01		SETSCREW, 1/4 - 20 X 1/2" LG.....	2
43	14134-G4		SPACER.....	1
44				
45	70113-G01		ADJUSTABLE BUMPER	1
46	11027-G1		LOCK NUT, 5/16 - 18	1
47				
48	70080-G01		CATCH BRACKET	1
49	00414-G6		BOLT, 1/4 - 20 X 3/4" LG	2
50	00891-G2		LOCK NUT, 1/4 - 20	2
51				
52				
53	70690-G01		BRAKE PEDAL ASSEMBLY (WITH BRAKE LIGHTS) (INCLUDES ITEMS 54 - 80).....	1
54	*		BRAKE PEDAL.....	1
55	70611-G01		PARK BRAKE PEDAL	1
56	70274-G01		BRAKE/PARK BRAKE PEDAL PAD KIT (INCLUDES ITEMS 57 - 59).....	1
57	*		SERVICE BRAKE PAD	1
58	*		PARK BRAKE PAD.....	1

BRAKES

THE USE OF NON U.L. PARTS WILL VOID ANY U.L. LISTING.

When ordering parts, please specify the model and serial number of the product.

* Indicates a component that is not available as an individual part.

G** Indicates consult Customer Service Department for additional information.

ITEM	PART NO.	1	2	3	4	5	DESCRIPTION	QTY.
59	15766-G1						OVAL RIVET, 3/16" x 3/8" LG.....	9
60								
61	70258-G02						BRAKE PEDAL PLATE.....	1
62	70682-G01						PIVOT PIN.....	1
63	70681-G01						TORSION SPRING.....	2
64	01071-G01						PUSHNUT, 5/16".....	1
65	00737-G8						SCREW, #10 - 24 X 1" LG.....	4
66	00739-G1						RUBBER NUT, #10 - 24.....	2
67	22362-G3						BRAKE PEDAL STANDOFF.....	2
68	27137-G01						CONICAL SPRING.....	2
69	11098-G7						LOCK NUT, #10 - 24.....	2
70	10606-G8						MICRO SWITCH.....	1
71	00957-G1						SCREW, #6 - 32 X 1 1/4" LG.....	2
72	00559-G5						WASHER, #10.....	2
73	00559-G3						WASHER, #6.....	4
74	00565-G3						LOCK WASHER, #6.....	2
75	00525-G5						NUT, #6 - 32.....	2
76	13514-G1						SCREW AND LOCK WASHER, #6.....	2
77								
78	14628-G1						FASTON TAB.....	2
79	24605-G1						WIRE HARNESS (BRAKE LIGHT).....	1
80	17618-G1						WIRE TIE.....	3
81								
82	70793-G01						BRAKE ASSEMBLY (DRIVER SIDE) (INCLUDES ITEMS 84 - 95).....	1
83	70793-G02						BRAKE ASSEMBLY (PASSENGER SIDE) (INCLUDES ITEMS 84 - 95).....	1
84	70794-G01						BRAKE SHOE KIT (INCLUDES ITEM 85).....	2
85	*						BRAKE SHOE.....	2
86	27944-G01						BRAKE SPRING KIT (INCLUDES ITEMS 87 - 91).....	2
87	*						UPPER SPRING.....	1
88	*						LOWER SPRING.....	1

BRAKES

THE USE OF NON U.L. PARTS WILL VOID ANY U.L. LISTING.

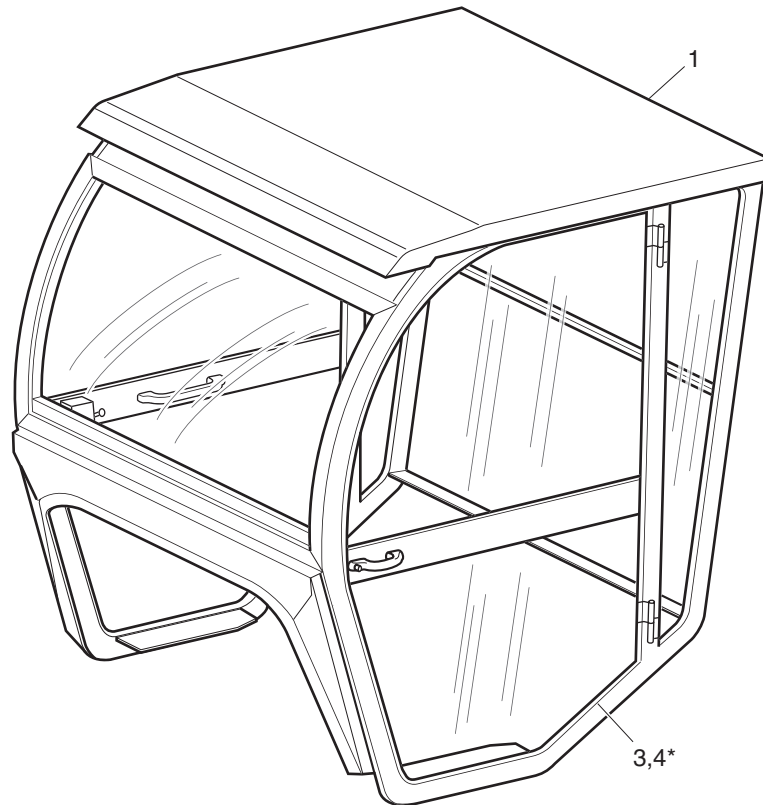
When ordering parts, please specify the model and serial number of the product.

* Indicates a component that is not available as an individual part.

G** Indicates consult Customer Service Department for additional information.

ITEM	PART NO.	1	2	3	4	5	DESCRIPTION	QTY.
89	*						PIN	2
90	*						CUP AND SPRING	2
91	*						ADJUSTER SPRING.....	1
92	72582-G01						BRAKE ADJUSTER KIT (DRIVER SIDE) (INCLUDES ITEMS 94, 95)	1
93	72582-G02						BRAKE ADJUSTER KIT (PASSENGER SIDE) (INCL ITEMS 94, 95).....	1
94	*						ADJUSTER	1
95	*						TEFLON WASHER.....	2
96	17083-G2						BOLT, 5/16 - 24 X 1" LG	8
97	15126-G1						LOCK NUT, 5/16 - 24	8
98	21809-G1						INNER BRAKE DRUM WASHER, 1 5/16" OD X 1" ID X 1/32"	2
99								
100	21807-G1						BRAKE DRUM ASSEMBLY (INCLUDES ITEMS 101 - 102).....	2
101	*						BRAKE DRUM.....	1
102	19862-G1						LUG BOLT, 1/2 - 20.....	4
103								
104								
105	21830-G1						OUTER BRAKE DRUM WASHER	2
106	00518-G8						SLOTTED NUT, 3/4 - 16.....	2
107	10387-G1						COTTER PIN, 1/8" X 1 1/2" LG.....	2
108	74175-G01						SPINDLE CAP.....	2
109								
110	72036-G01						BRAKE CABLE BRACKET (PASSENGER SIDE).....	1
111	72036-G02						BRAKE CABLE BRACKET (DRIVER SIDE)	1

CAB



*Steel Doors Shown

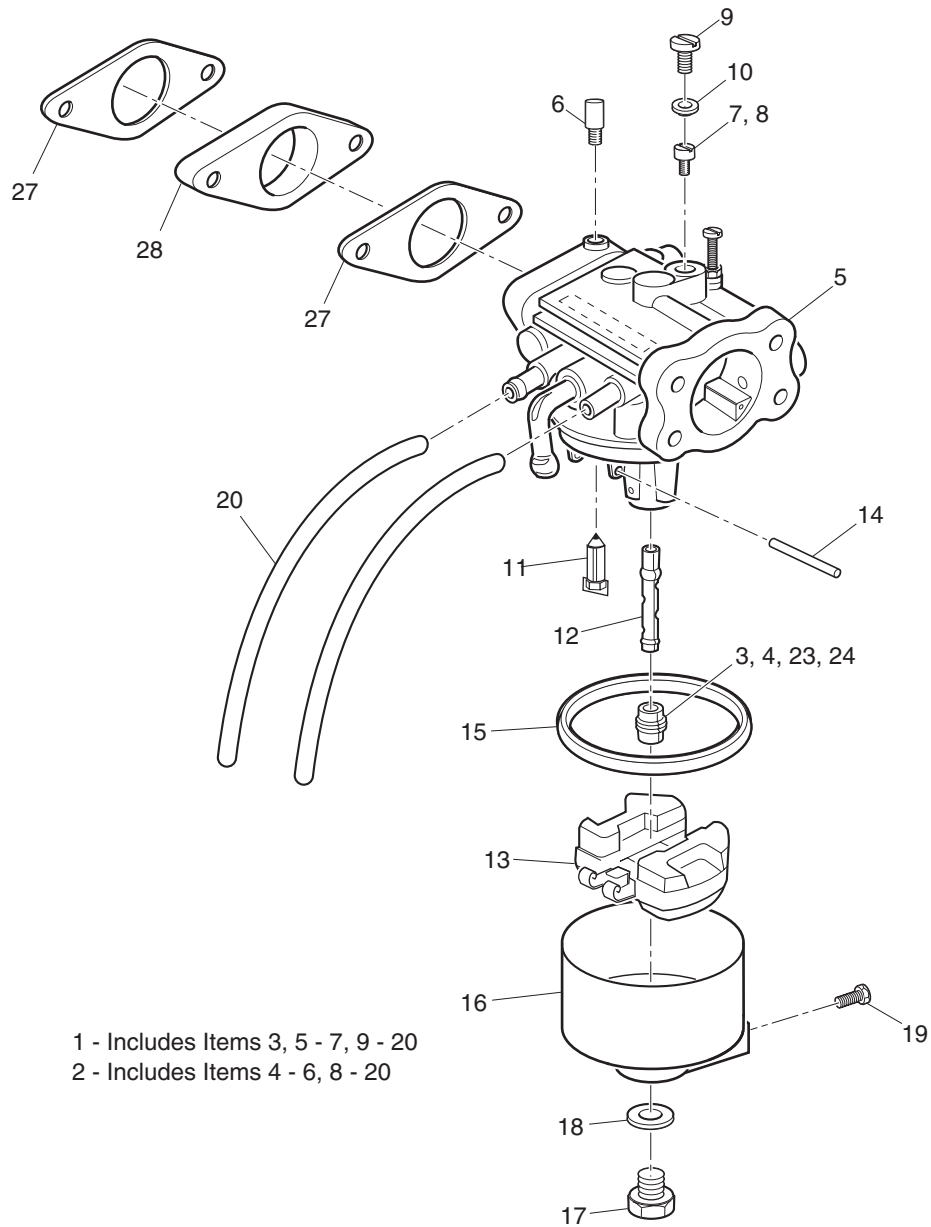
For Cab Accessories, See ACCESSORIES LISTING in Appendix B

Ref Cab 5

THE USE OF NON U.L. PARTS WILL VOID ANY U.L. LISTING.
 When ordering parts, please specify the model and serial number of the product.
 * Indicates a component that is not available as an individual part.
 G** Indicates consult Customer Service Department for additional information.

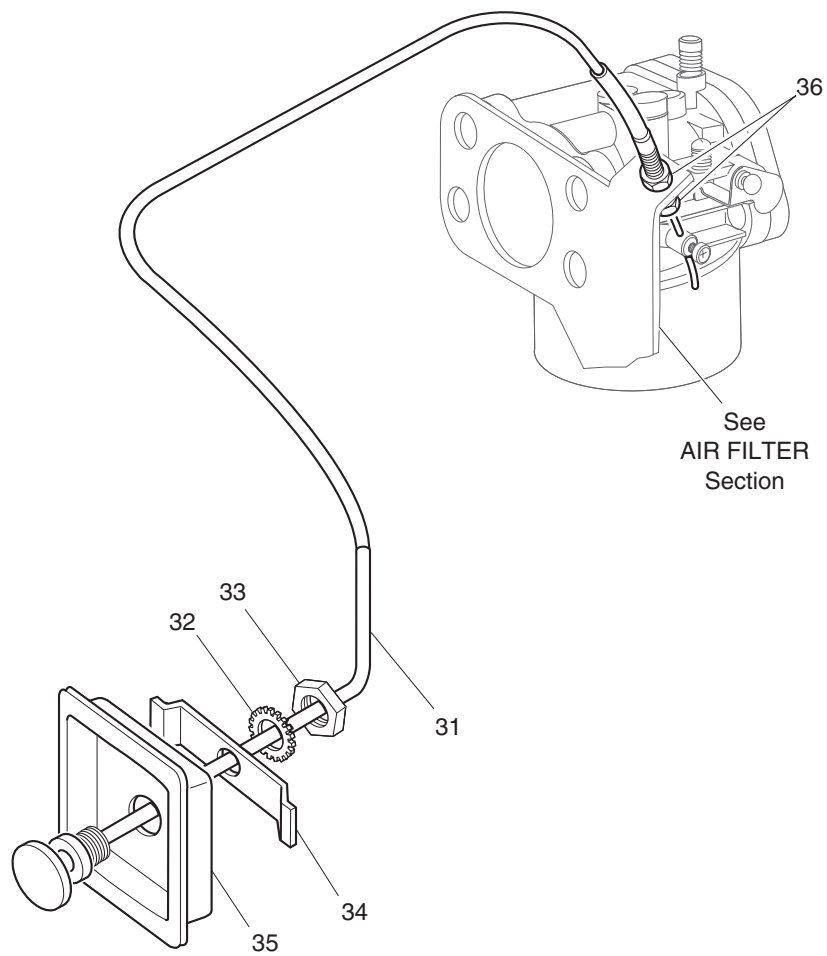
ITEM	PART NO.	1 2 3 4 5	DESCRIPTION	QTY.
1	75854-G**		STEEL CAB (WITHOUT DOORS) REPACEMENT PARTS AND ACCESSORIES MAY BE OBTAINED FROM CURTIS CAB, INC.	1
2				
3	75855-G01		VINYL DOOR KIT.....	1
4	75856-G**		STEEL DOOR KIT.....	1

CARBURETOR AND CHOKE



Ref Cac 5-1

CARBURETOR AND CHOKE



Ref Cac 5-2

CARBURETOR AND CHOKE

THE USE OF NON U.L. PARTS WILL VOID ANY U.L. LISTING.

When ordering parts, please specify the model and serial number of the product.

* Indicates a component that is not available as an individual part.

G** Indicates consult Customer Service Department for additional information.

ITEM	PART NO.	1	2	3	4	5	DESCRIPTION	QTY.
1	72558-G02						CARBURETOR ASSEMBLY (FOR FUJI ENGINE P/N EH29CPG5011) (INCLUDES ITEMS 3, 5 - 7, 9 - 20)	1
2	72558-G04						CARBURETOR ASSEMBLY (FOR FUJI ENGINE P/N EH29CPG5012) (INCLUDES ITEMS 4 - 6, 8 - 20)	1
3	26646-G07						MAIN JET (#90)	1
4	26646-G01						MAIN JET (#88)	1
5	*						CARBURETOR BODY	1
6	*						PILOT SCREW	1
7	26649-G05						PILOT JET (#46)	1
8	26649-G09						PILOT JET (#44)	1
9	26841-G01						PLUG	1
10	72306-G01						GASKET	1
11	72578-G01						NEEDLE VALVE	1
12	*						MAIN NOZZLE	1
13	26648-G01						FLOAT	1
14	26840-G01						FLOAT PIN	1
15	26843-G01						FLOAT BOWL GASKET	1
16	26844-G01						FLOAT CHAMBER	1
17	26839-G01						BOWL SCREW	1
18	26838-G01						BOWL GASKET	1
19	*						DRAIN SCREW	1
20	26650-G01						VENT TUBE	2
21								
22								
23	26646-G08						MAIN JET (#86) (FOR ELEVATIONS OF 3000 FT - 6000 FT)	1
24	26646-G02						MAIN JET (#84) (FOR ELEVATIONS OF 6000 FT - 10000 FT)	1
25								
26								
27	26726-G01						CARBURETOR MOUNT GASKET	2
28	26637-G01						CARBURETOR INSULATOR	1
29								

CARBURETOR AND CHOKE

THE USE OF NON U.L. PARTS WILL VOID ANY U.L. LISTING.

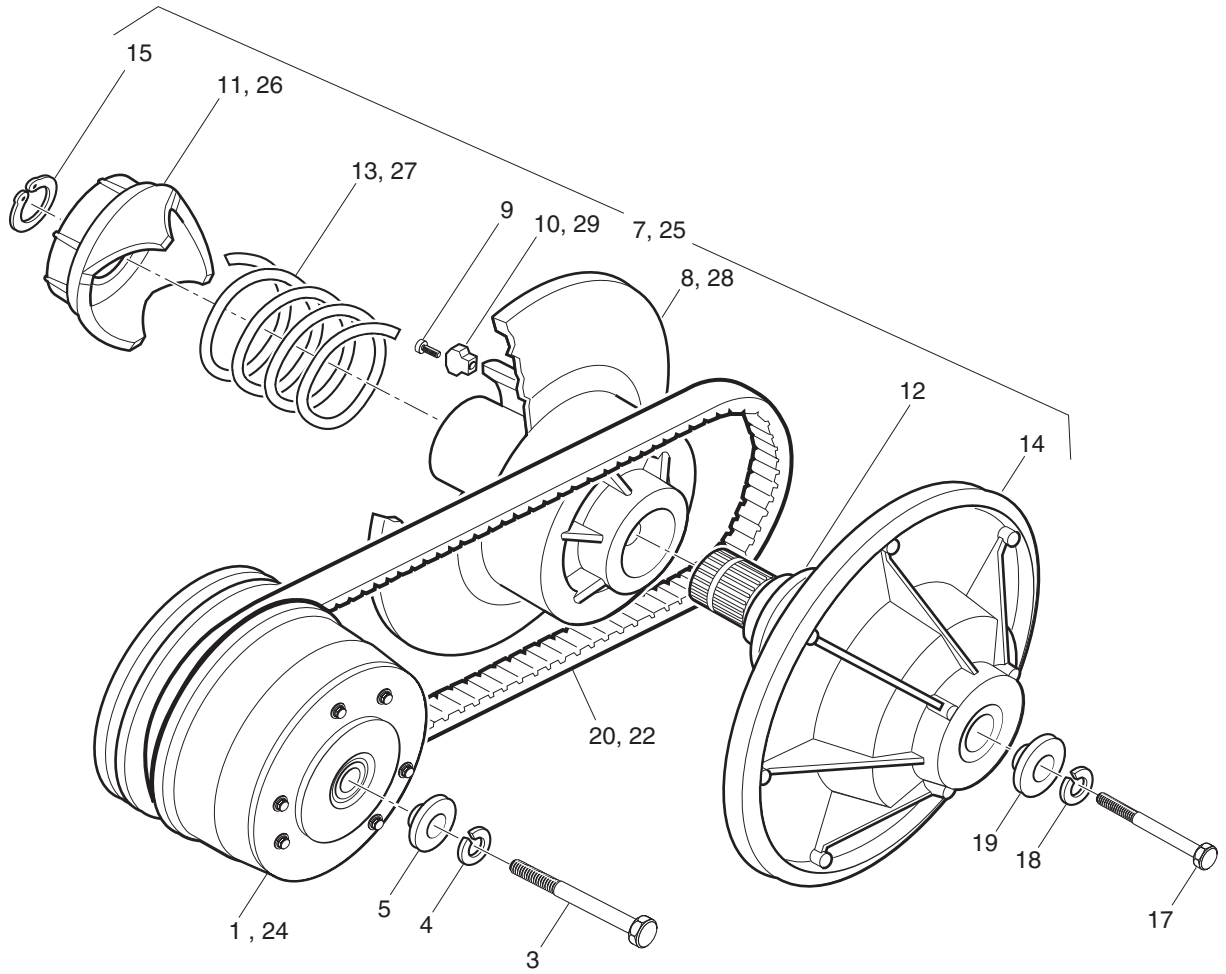
When ordering parts, please specify the model and serial number of the product.

* Indicates a component that is not available as an individual part.

G** Indicates consult Customer Service Department for additional information.

ITEM	PART NO.	1	2	3	4	5	DESCRIPTION	QTY.
30								
31	25693-G04						CHOKE CABLE (WITH NUTS)	1
32	00568-G4						LOCK WASHER, 9/16"	1
33	00545-G4						NUT, 9/16 - 18	1
34	72155-G01						RETAINER	1
35	72154-G01						CHOKE CABLE ADAPTER	1
36	00544-G4						JAM NUT, 5/16 - 24	2

CLUTCH



Ref Clt 5

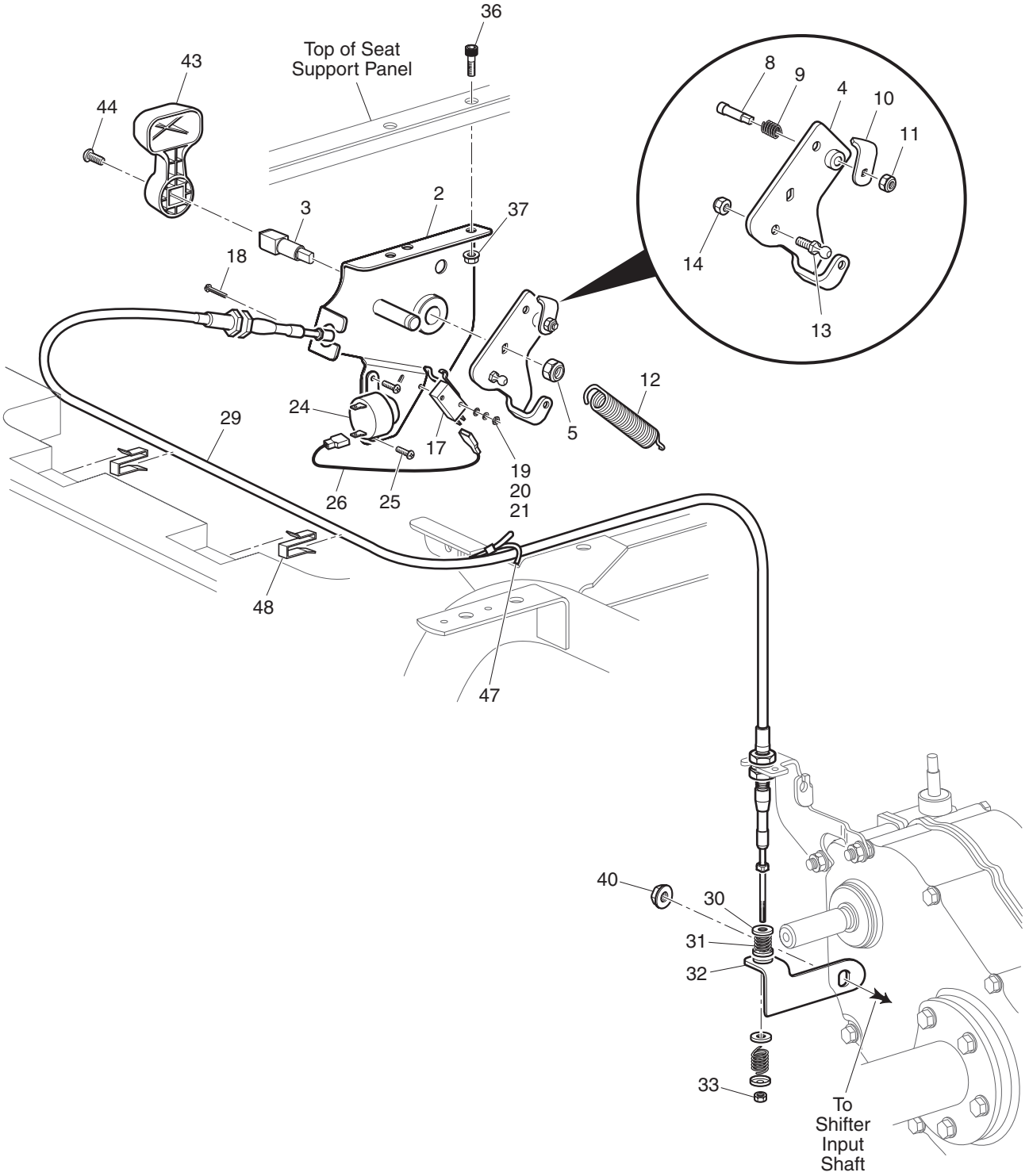
CLUTCH

THE USE OF NON U.L. PARTS WILL VOID ANY U.L. LISTING.
 When ordering parts, please specify the model and serial number of the product.
 * Indicates a component that is not available as an individual part.
 G** Indicates consult Customer Service Department for additional information.

ITEM	PART NO.	1	2	3	4	5	DESCRIPTION	QTY.
1	26952-G01						DRIVE CLUTCH	1
2								
3	00473-G9						BOLT, 7/16 - 20 X 6 1/2" LG	1
4	00566-G2						LOCK WASHER, 7/16"	1
5	25757-G1						PILOT WASHER	1
6								
7	26301-G02						DRIVEN CLUTCH ASSEMBLY (INCLUDES ITEMS 8 - 15)	1
8	*						MOVABLE SHEAVE (INCLUDES ITEMS 9 -10).....	1
9	00979-G01						SCREW, #10 - 24 X 7/8" LG.....	3
10	26479-G01						RAMP BUTTON	3
11	*						CAM	1
12	24600-G1						SPACER	1
13	26304-G01						COMPRESSION SPRING	1
14	*						SHEAVE AND POST	1
15	27270-G01						HEAVY DUTY RETAINING RING	1
16								
17	00441-G8						BOLT, 5/16 - 18 X 4" LG	1
18	00565-G8						LOCK WASHER, 5/16"	4
19	25756-G1						RETAINING WASHER	1
20	72054-G01						DRIVE BELT.....	1
21								
22	72328-G01						DRIVE BELT (HIGH ALTITUDE)	1
23								
24	26952-G01						DRIVE CLUTCH (HIGH ALTITUDE)	1
25	26301-G03						DRIVEN CLUTCH ASSEMBLY (HIGH ALTITUDE) (INCLUDES ITEMS 12, 14, 15, 26, 27, 28, 29).....	1
26	*						CAM	1
27	26304-G01						COMPRESSION SPRING	1
28	*						MOVABLE SHEAVE (INCLUDES ITEMS 9, 29).....	1
29	72324-G01						RAMP BUTTON, 4 CYCLE	3

DIRECTION SELECTOR

1 - Includes Items 2 - 33



Ref Dsl 5

DIRECTION SELECTOR

THE USE OF NON U.L. PARTS WILL VOID ANY U.L. LISTING.

When ordering parts, please specify the model and serial number of the product.

* Indicates a component that is not available as an individual part.

G** Indicates consult Customer Service Department for additional information.

ITEM	PART NO.	1	2	3	4	5	DESCRIPTION	QTY.
1	72721-G01						DIRECTION SELECTOR ASSEMBLY (INCLUDES ITEMS 2 - 33)	1
2	74456-G01						DIRECTION SELECTOR BRACKET	1
3	70233-G01						DIRECTION SELECTOR SHAFT	1
4	72738-G01						DIRECTION SELECTOR CAM	1
5	14390-G1						LOCK NUT, 3/8 - 24	1
6								
7								
8	72724-G01						NEUTRAL LOCK PIN	1
9	72733-G01						COMPRESSION SPRING, 3/8" X 5/8" LG	1
10	72729-G01						NEUTRAL LOCK LATCH	1
11	00734-G2						LOCK NUT, 1/4 - 28	1
12	28574-G01						EXTENSION SPRING	1
13	72732-G01						BALL STUD	1
14	00734-G5						LOCK NUT, #10 - 32	1
15								
16								
17	72736-G01						MICRO SWITCH	1
18	01062-G01						SCREW, #4 - 40 X 1" LG	2
19	00559-G1						WASHER, #4	2
20	00565-G1						LOCK WASHER, #4	2
21	00526-G2						NUT, #4 - 40	2
22								
23								
24	73290-G03						REVERSE WARNING BUZZER	1
25	01063-G01						SCREW, #6 - 32 X 3/8" LG	2
26	25978-G345						18 GA WIRE (RED 7")	1
27								
28								
29	72734-G01						SHIFTER CABLE	1
30	25727-G01						CUP WASHER	4

DIRECTION SELECTOR

THE USE OF NON U.L. PARTS WILL VOID ANY U.L. LISTING.

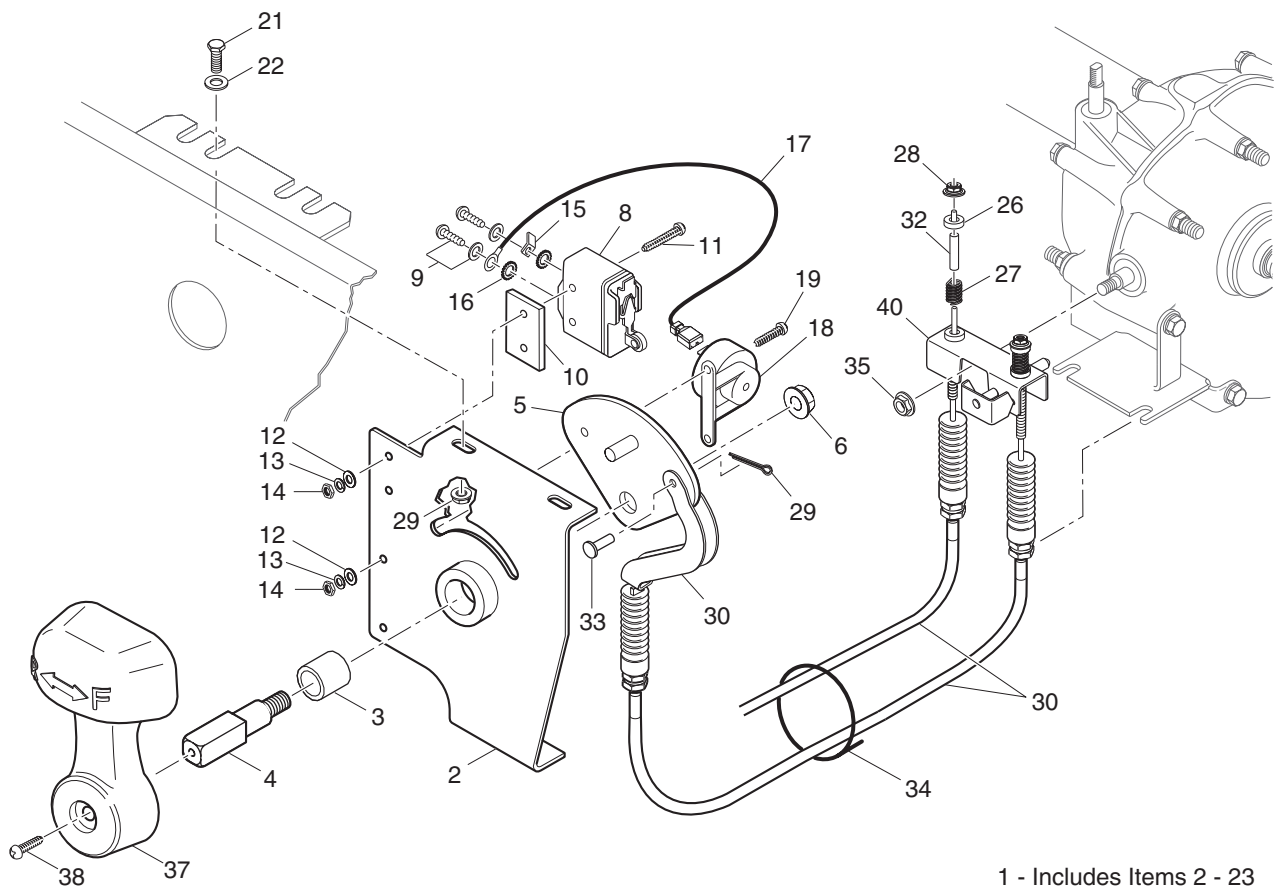
When ordering parts, please specify the model and serial number of the product.

* Indicates a component that is not available as an individual part.

G** Indicates consult Customer Service Department for additional information.

ITEM	PART NO.	1 2 3 4 5	DESCRIPTION	QTY.
31	72735-G01		COMPRESSION SPRING, 19/32" X 1" LG.....	2
32	74455-G01		SHIFTER ARM WITH BUSHING	1
33	00734-G5		LOCK NUT, #10 - 32.....	1
34				
35				
36	70227-G01		SCREW, 1/4 - 20 X 7/8" LG.....	2
37	11027-G2		LOCK NUT, 1/4 - 20	2
38				
39				
40	26830-G01		LOCK NUT, M8 X 1.25 MM	1
41				
42				
43	71205-G01		DIRECTION SELECTOR HANDLE.....	1
44	00740-G4		SCREW, #10 - 32 X 1/2" LG (STAINLESS STEEL)	1
45				
46				
47	17618-G1		WIRE TIE	1
48	01072-G01		CABLE CLIP.....	2

DIRECTION SELECTOR - DUAL CABLE



1 - Includes Items 2 - 23
25 - Includes Items 26 - 34

Ref Dcl 5

DIRECTION SELECTOR - DUAL CABLE

THE USE OF NON U.L. PARTS WILL VOID ANY U.L. LISTING.

When ordering parts, please specify the model and serial number of the product.

* Indicates a component that is not available as an individual part.

G** Indicates consult Customer Service Department for additional information.

ITEM	PART NO.	1	2	3	4	5	DESCRIPTION	QTY.
1	70594-G01						DIRECTION SELECTOR ASSEMBLY (INCLUDES ITEMS 2 - 23)	1
2	25684-G01						DIRECTION SELECTOR BRACKET	1
3	25664-G1						BUSHING.....	1
4	27537-G01						DIRECTION SELECTOR SHAFT	1
5	25745-G01						DIRECTION SELECTOR CAM.....	1
6	14390-G1						LOCK NUT, 3/8 - 24	1
7								
8	10606-G1						MICRO SWITCH.....	1
9	*						SCREW AND WASHER ASSEMBLY	2
10	27151-G01						SPACER	1
11	00645-G2						SCREW, #6 - 32 X 1 1/4" LG	2
12	00559-G3						WASHER, #6	4
13	00565-G3						LOCK WASHER, #6	4
14	00525-G5						NUT, #6 - 32.....	4
15	14628-G1						FASTON TAB.....	1
16	00567-G3						LOCK WASHER, #6	2
17	25978-G234						18 GA. WIRE (RED 6")	1
18	73290-G03						REVERSE WARNING BUZZER	1
19	00138-G5						SCREW, #6 - 32 X 5/8" LG	2
20								
21	00414-G6						BOLT, 1/4 - 20 X 3/4" LG.....	2
22	00559-G7						WASHER, 1/4"	2
23	11027-G2						LOCK NUT, 1/4 - 20	2
24								
25	27170-G01						CABLE KIT (INCLUDES ITEMS 26- 34)	2
26	25727-G01						CUP WASHER.....	4
27	27764-G01						SPRING	2
28	11098-G7						LOCK NUT, #10 - 24.....	2
29	10387-G8						COTTER PIN, 1/16" X 3/4" LG	2
30	25691-G01						SHIFTER CONTROL CABLE	2

DIRECTION SELECTOR - DUAL CABLE

THE USE OF NON U.L. PARTS WILL VOID ANY U.L. LISTING.

When ordering parts, please specify the model and serial number of the product.

* Indicates a component that is not available as an individual part.

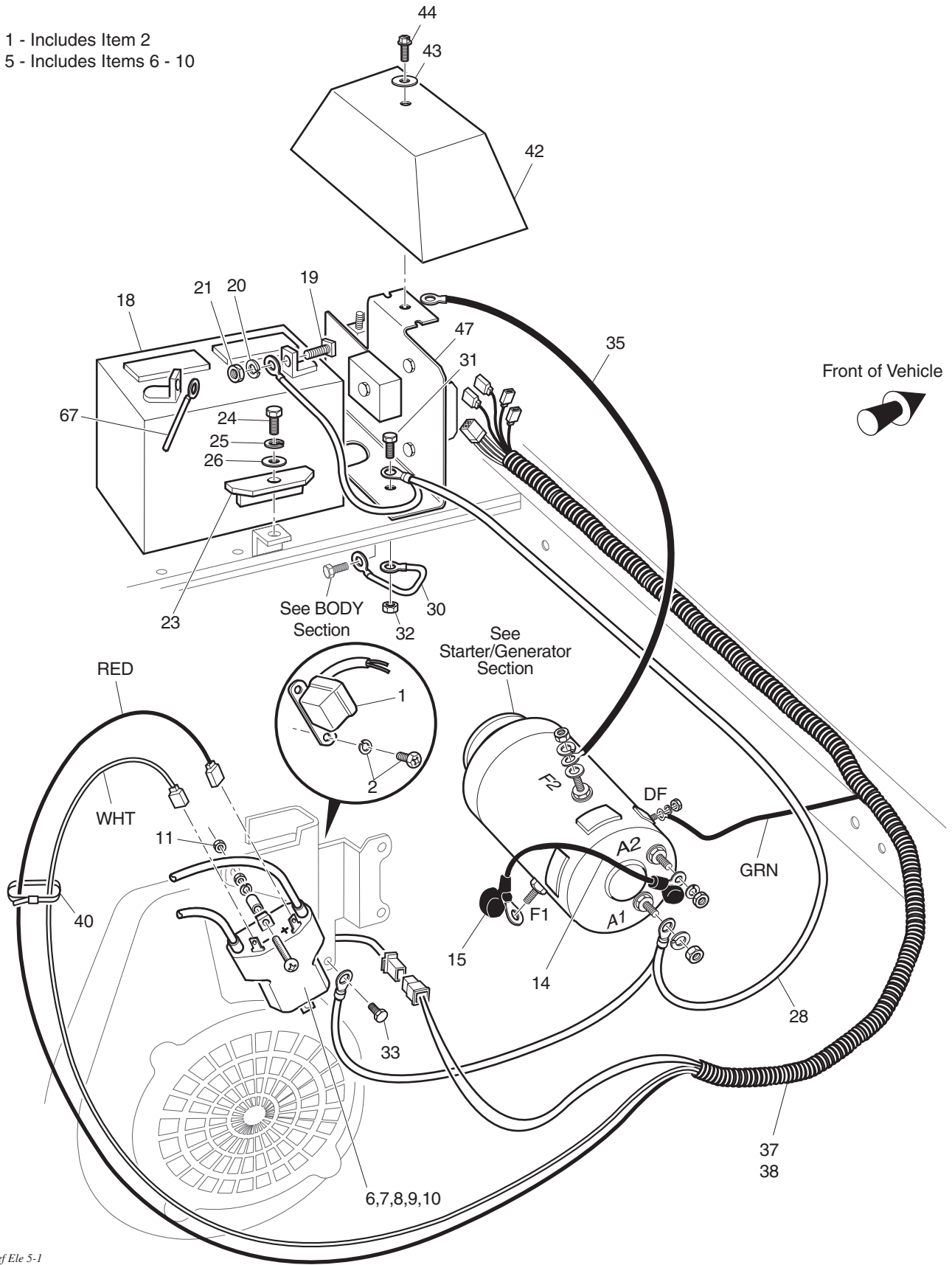
G** Indicates consult Customer Service Department for additional information.

ITEM	PART NO.	1	2	3	4	5	DESCRIPTION	QTY.
31								
32	23726-G5						SPACER	2
33	23176-G1						CLEVIS PIN, 5/16" X 3/8" LG	2
34	17618-G1						WIRE TIE	1
35	26830-G01						LOCK NUT, M8 X 1.25 MM	1
36								
37	71205-G01						DIRECTION SELECTOR HANDLE	1
38	00740-G4						SCREW, #10 - 32 X 1/2" LG (STAINLESS STEEL)	1
39								
40	72619-G01						SHIFTER CONTROL PIVOT	1

DIRECTION SELECTOR - DUAL CABLE

ELECTRICAL SYSTEM

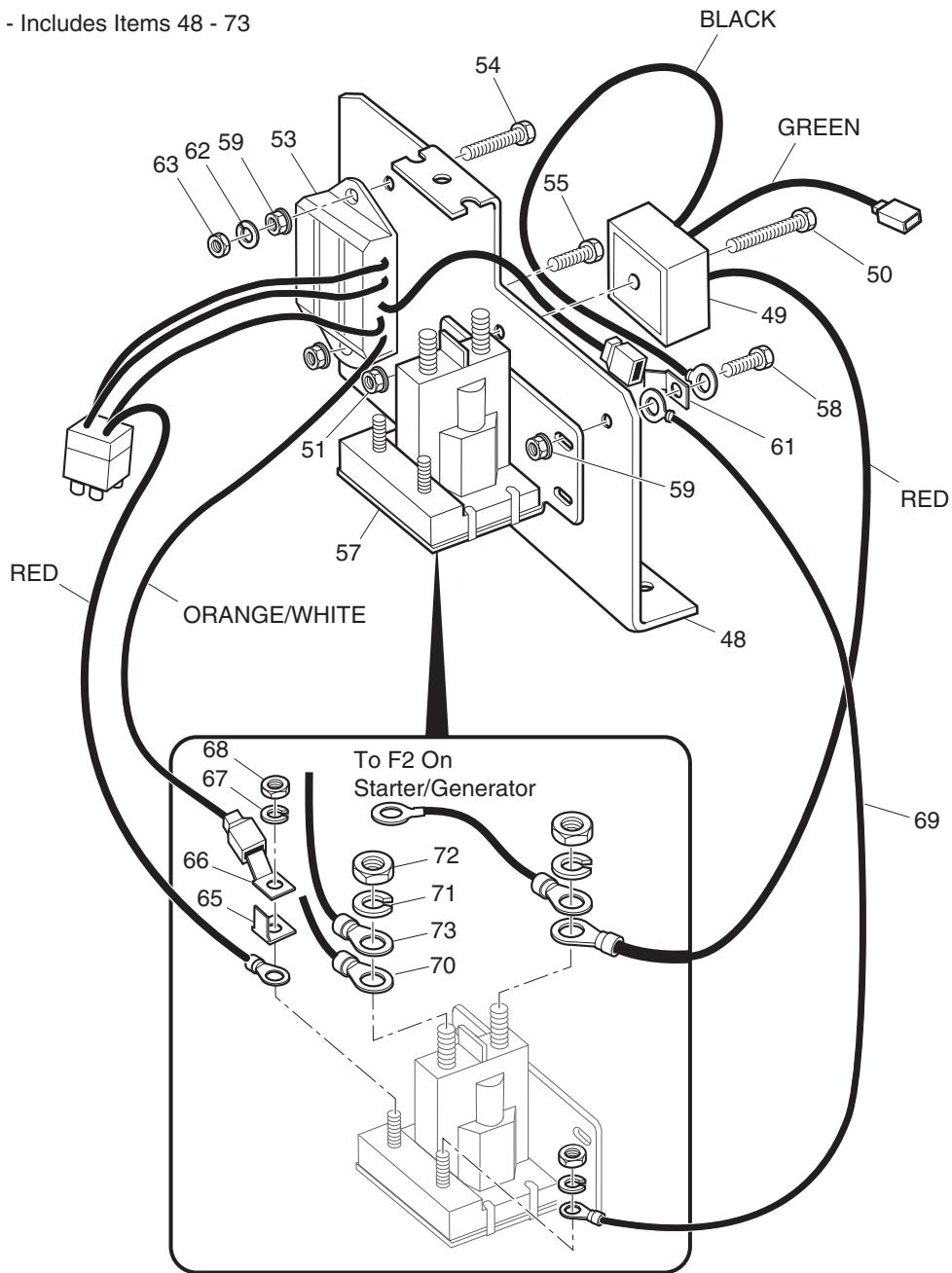
1 - Includes Item 2
 5 - Includes Items 6 - 10



Ref Ele 5-1

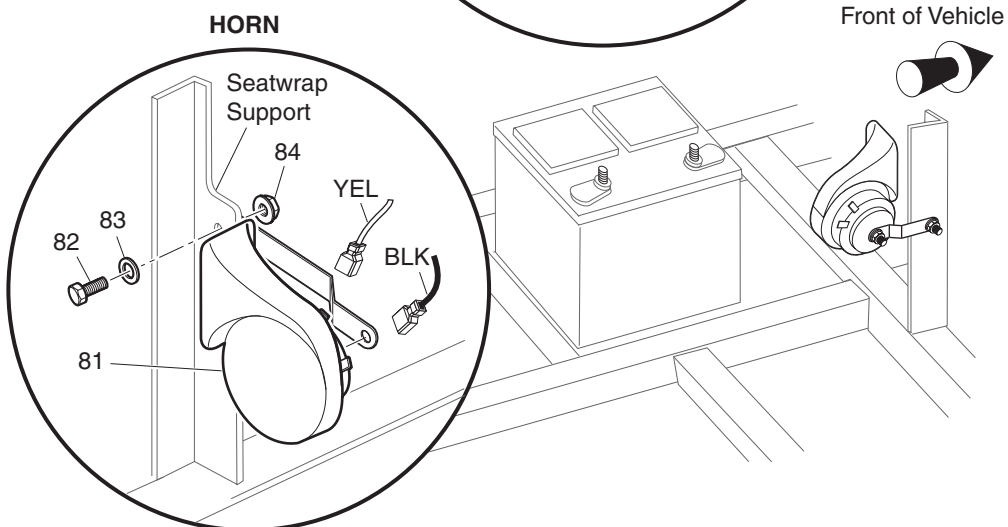
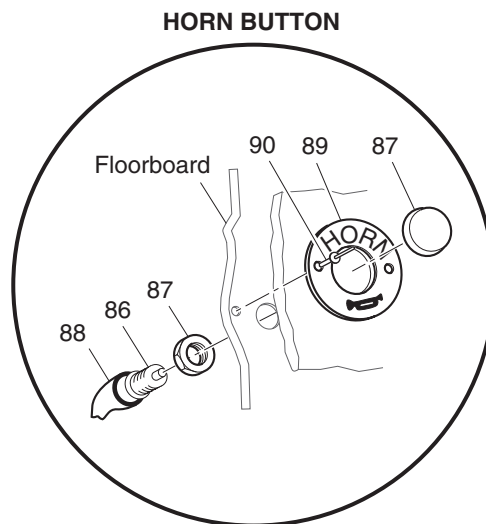
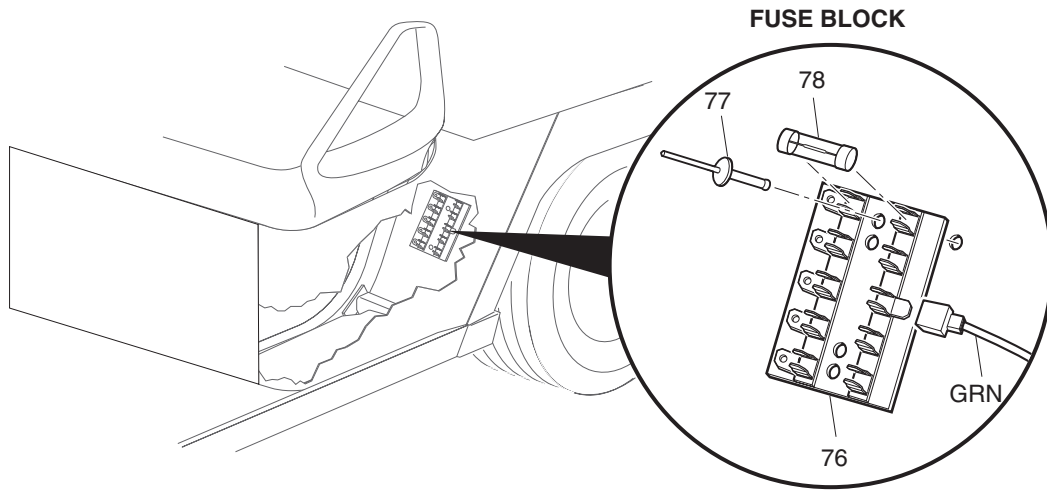
ELECTRICAL SYSTEM

47 - Includes Items 48 - 73



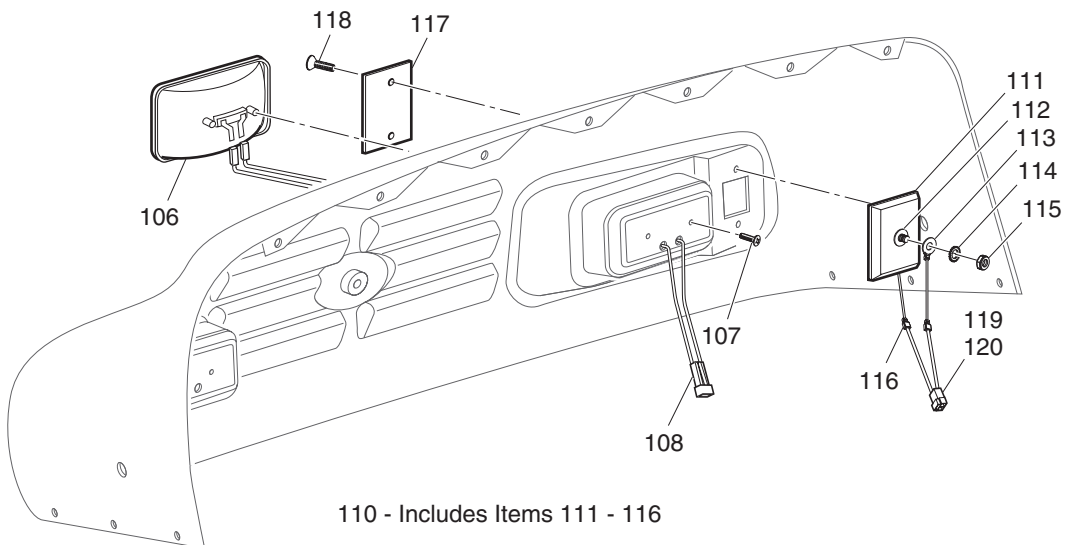
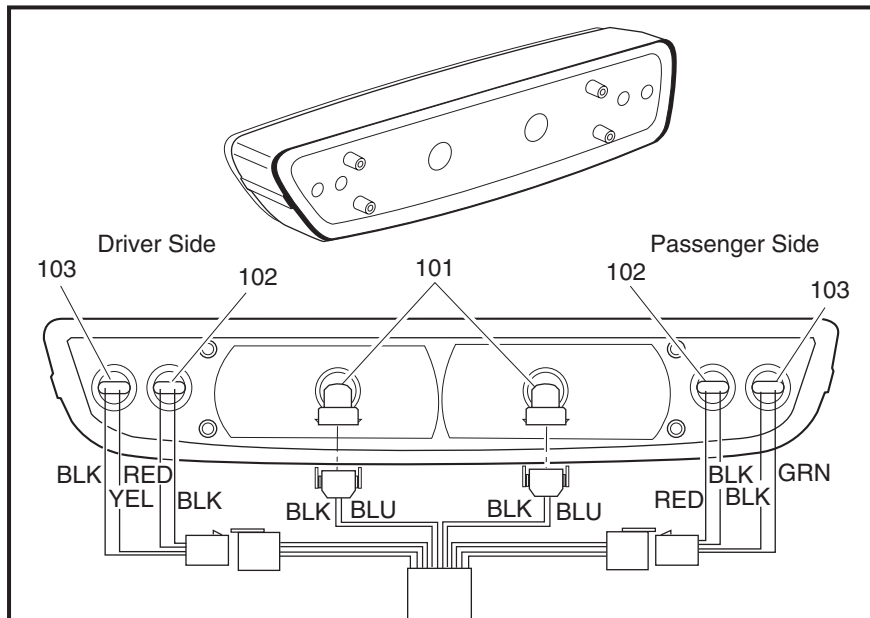
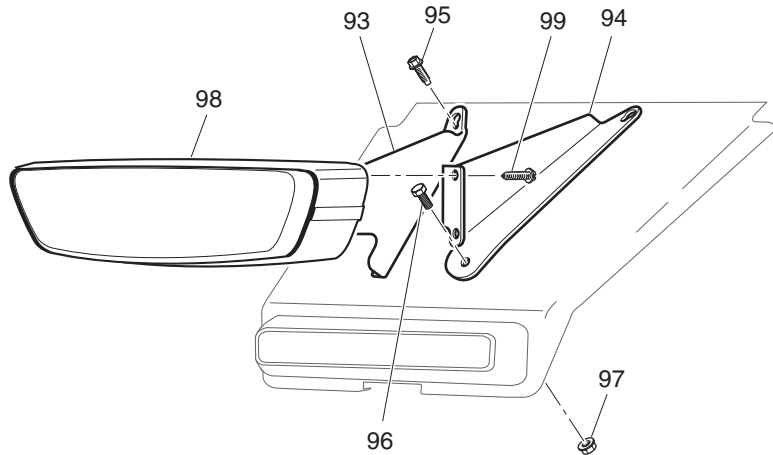
Ref Ele 5-2

ELECTRICAL SYSTEM



Ref Ele 5-3

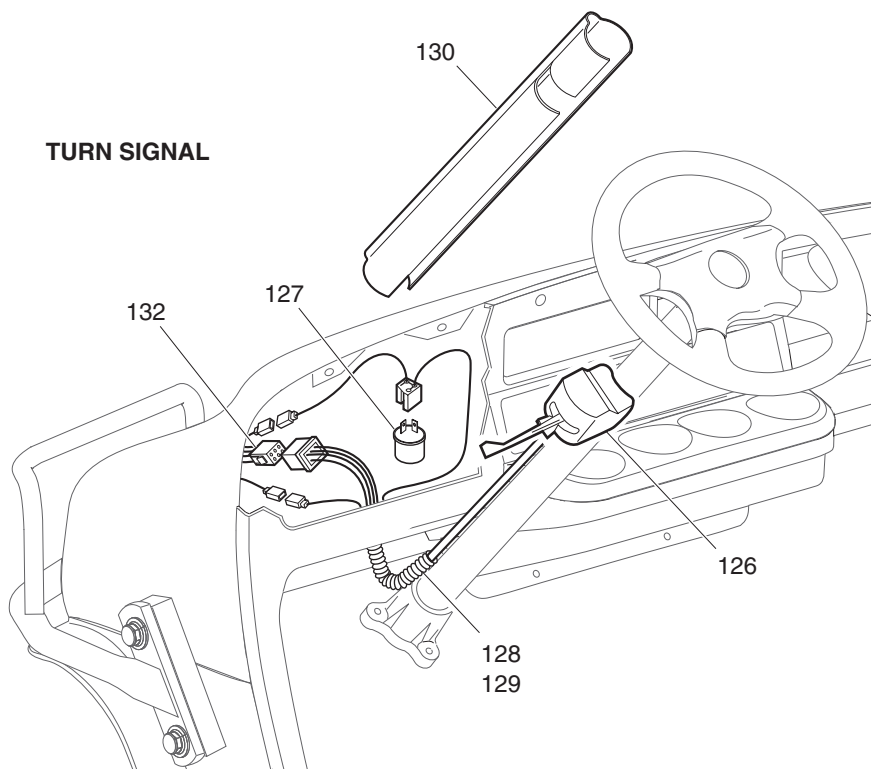
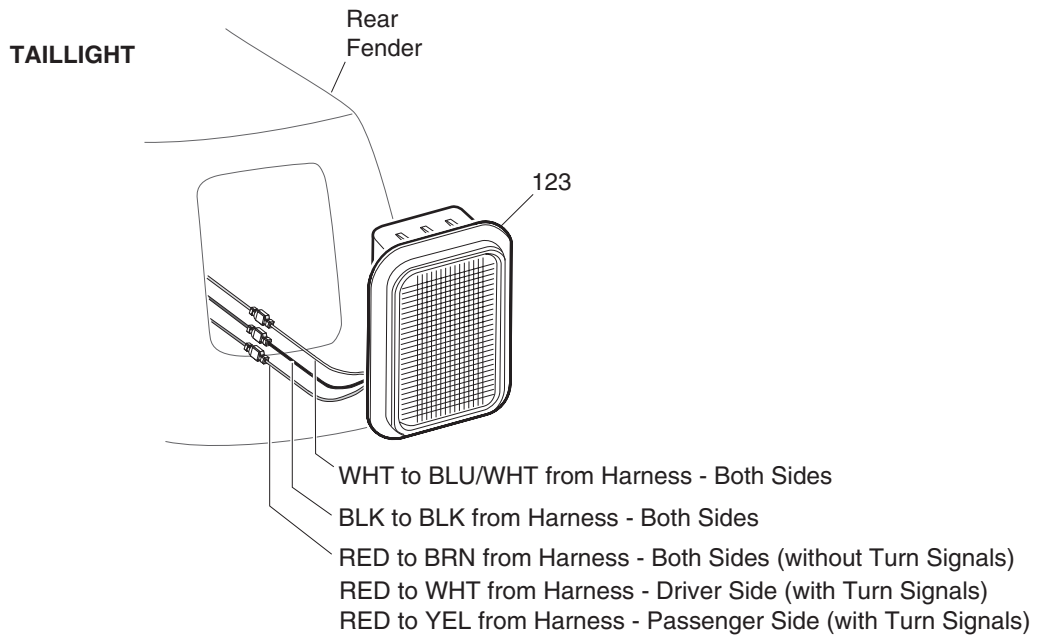
ELECTRICAL SYSTEM



110 - Includes Items 111 - 116

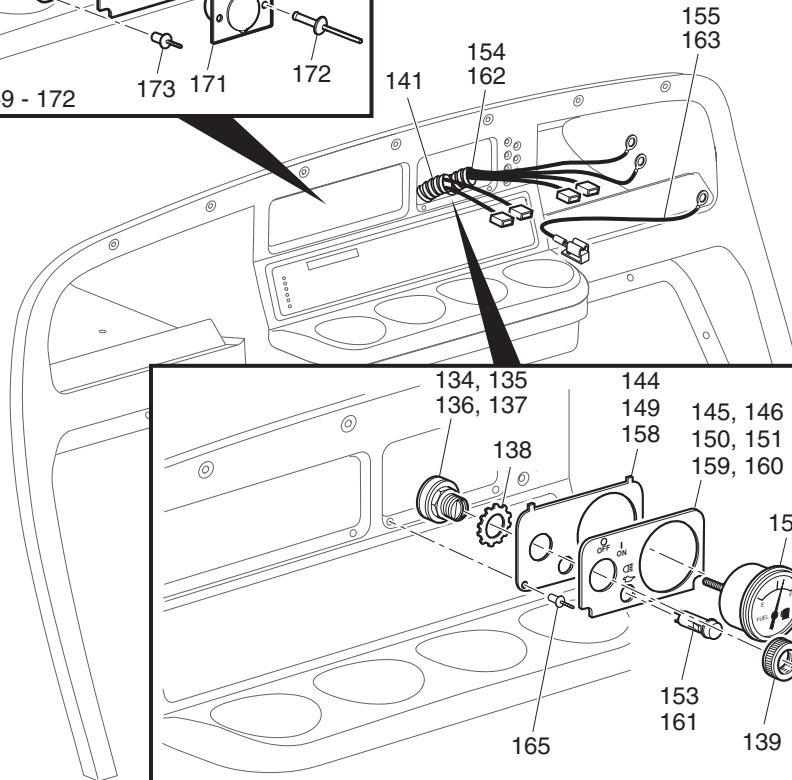
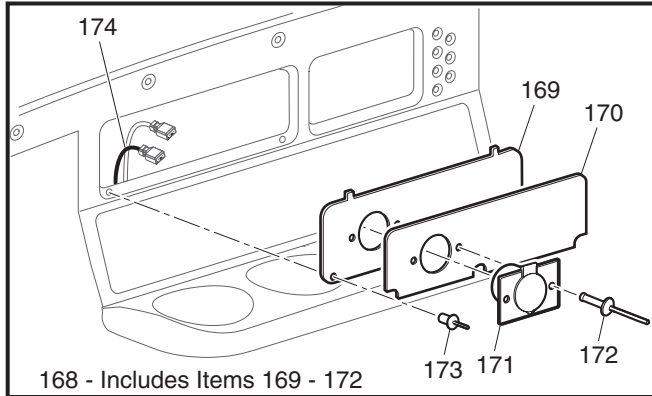
Ref Ele 5-4

ELECTRICAL SYSTEM



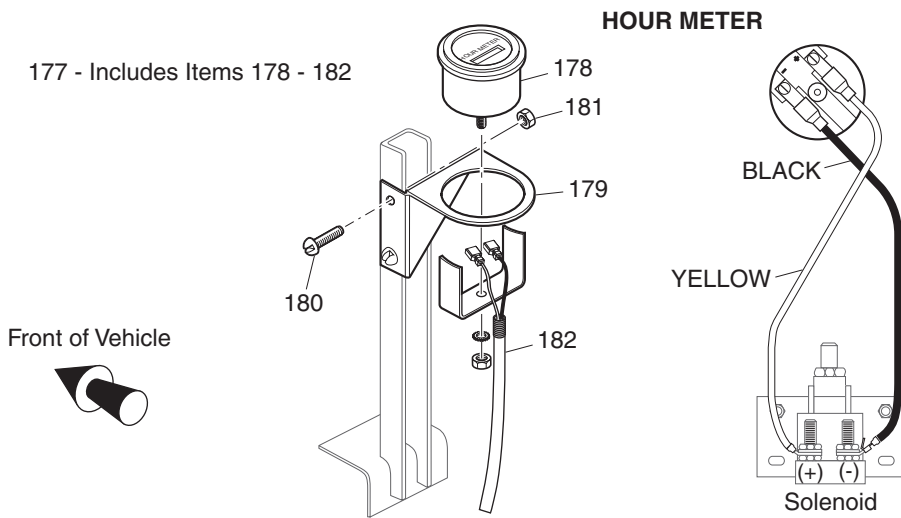
Ref Ele 5-5

CONSOLE INSERT PLATE (WITH POWER OUTLET SHOWN)



KEY SWITCH, INDICATOR LIGHT(S), AND FUEL GAUGE

177 - Includes Items 178 - 182

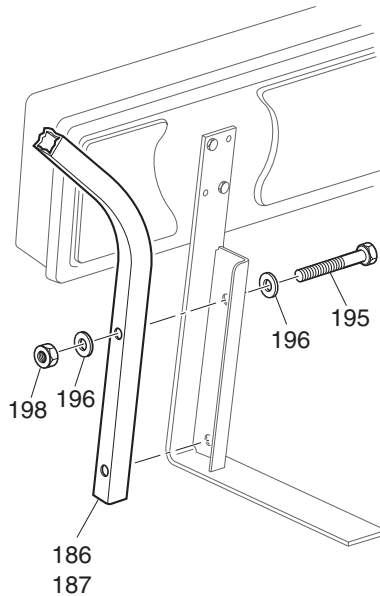


Ref Ele 5-6

ELECTRICAL SYSTEM

WORK AND STROBE LIGHTS

Front of Vehicle

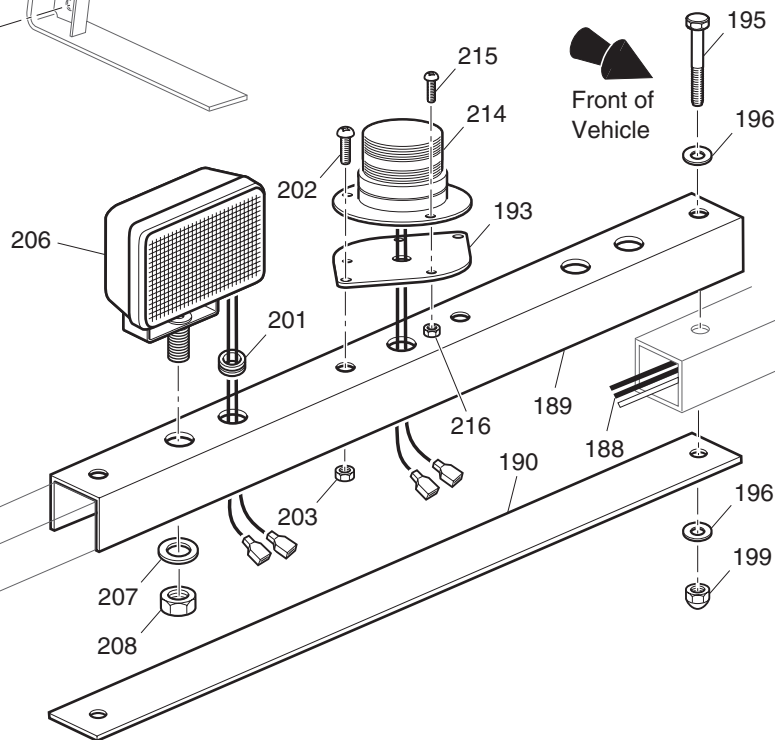


185 - Includes Items 186 - 203, 205 and/or 213

194 - Includes Items 195 - 203

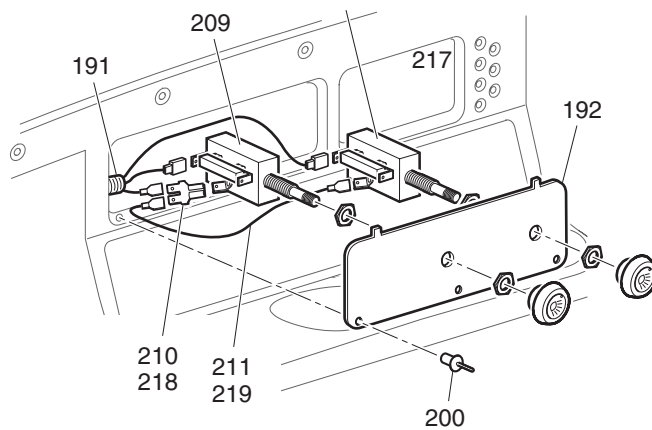
205 - Includes Items 206 - 211

213 - Includes Items 214 - 219



Front of Vehicle

Front of Vehicle



Ref Ele 5-7

ELECTRICAL SYSTEM

THE USE OF NON U.L. PARTS WILL VOID ANY U.L. LISTING.

When ordering parts, please specify the model and serial number of the product.

* Indicates a component that is not available as an individual part.

G** Indicates consult Customer Service Department for additional information.

ITEM	PART NO.	1	2	3	4	5	DESCRIPTION	QTY.
1	26651-G02						IGNITION PICKUP ASSEMBLY (INCLUDES ITEM 2).....	1
2	26707-G01						BOLT AND WASHER ASSEMBLY, M5 X .8 X 10 MM LG	1
3								
4								
5	26652-G01						IGNITION COIL ASSEMBLY (INCLUDES ITEMS 6 - 10)	1
6	*						IGNITION COIL.....	1
7	*						SPACER	1
8	*						LOCK WASHER	1
9	*						NUT.....	1
10	*						SCREW.....	1
11	13632-G1						NUT, M6 X 1	2
12								
13								
14	25887-G01						6 GA WIRE (BLACK 6", F1 - A2).....	1
15	25682-G1						TERMINAL COVER	3
16								
17								
18	24775-G*						BATTERY, 12V	1
19	00962-G1						BOLT, 5/16 - 18 X 1 1/4" LG	2
20	00993-G01						LOCK WASHER, 5/16" (SILICON BRONZE)	2
21	00994-G01						NUT, 5/16 - 18 (SILICON BRONZE)	2
22								
23	72101-G01						BATTERY HOLD DOWN.....	1
24	00438-G6						BOLT, 5/16 - 18 X 3/4" LG	1
25	00565-G8						LOCK WASHER, 5/16".....	1
26	00571-G2						WASHER, 5/16"	1
27								
28								
29	27044-G03						GROUND CABLE.....	1
30	25976-G19						14 GA WIRE (BLACK 6")	1

ELECTRICAL SYSTEM

THE USE OF NON U.L. PARTS WILL VOID ANY U.L. LISTING.

When ordering parts, please specify the model and serial number of the product.

* Indicates a component that is not available as an individual part.

G** Indicates consult Customer Service Department for additional information.

ITEM	PART NO.	1 2 3 4 5	DESCRIPTION	QTY.
31	00438-G6		BOLT, 5/16 - 18 X 3/4" LG	2
32	11027-G1		LOCK NUT, 5/16 - 18	2
33	26676-G01		FLANGED BOLT, M6 X 1 X 23 MM LG	1
34				
35	25972-G85		6 GA WIRE (BLACK 23", F2 - SOL).....	1
36				
37	70899-G01		WIRE HARNESS (CONTROL) - SINGLE CABLE DIRECTION SELECTOR	1
38	70595-G01		WIRE HARNESS (CONTROL) - DUAL CABLE DIRECTION SELECTOR	1
39				
40	17618-G1		WIRE TIE	AR
41				
42	73049-G01		COVER.....	1
43	16469-G1		WASHER, 1/4"	1
44	00114-G6		SCREW, 1/4 - 14 X 3/4" LG.....	1
45				
46				
47	73059-G01		ELECTRICAL PLATE ASSEMBLY (INCLUDES ITEMS 48 - 73)	1
48	73057-G01		BRACKET	1
49	27739-G01		VOLTAGE REGULATOR	1
50	00415-G2		BOLT, 1/4 - 20 X 1 1/4" LG.....	1
51	11027-G2		LOCK NUT, 1/4 - 20	1
52				
53	27746-G01		IGNITOR	1
54	00414-G8		BOLT, 1/4 - 20 X 1" LG.....	1
55	00414-G5		BOLT, 1/4 - 20 X 5/8" LG.....	1
56				
57	27153-G01		SOLENOID	1
58	00414-G5		BOLT, 1/4 - 20 X 5/8" LG.....	1
59	11027-G2		LOCK NUT, 1/4 - 20	3
60				

ELECTRICAL SYSTEM

THE USE OF NON U.L. PARTS WILL VOID ANY U.L. LISTING.

When ordering parts, please specify the model and serial number of the product.

* Indicates a component that is not available as an individual part.

G** Indicates consult Customer Service Department for additional information.

ITEM	PART NO.	1 2 3 4 5	DESCRIPTION	QTY.
61	12914-G2		FASTON TAB, 1/4" X 1/4"	1
62	00565-G7		LOCK WASHER, 1/4"	1
63	00532-G1		NUT, 1/4 - 20.....	1
64				
65	73446-G01		FASTON TAB, 90°	1
66	12914-G1		FASTON TAB, #10 X 1/4"	1
67	00565-G5		LOCK WASHER, #10	2
68	00526-G4		NUT, #10 - 32.....	2
69	25978-G56		18 GA WIRE (BLACK 5 3/4").....	1
70	22585-G3		IN-LINE FUSE HOLDER	1
71	00565-G8		LOCK WASHER, 5/16"	2
72	00544-G4		JAM NUT, 5/16 - 24.....	2
73	25972-G33		6 GA WIRE (BLACK 24", B+ - SOL).....	1
74				
75				
76	22674-G1		FUSE BLOCK.....	1
77	01041-G01		RIVET, 5/32" X 3/8" LG	2
78	18392-G1		15 AMP FUSE	3
79				
80				
81	32860-G1		HORN.....	1
82	00414-G5		BOLT, 1/4 - 20 x 5/8" LG.....	1
83	00559-G7		WASHER, 1/4"	1
84	00891-G2		LOCK NUT, 1/4 - 20	1
85				
86	17318-G1		HORN SWITCH.....	1
87	17318-G2		HORN SWITCH CAP AND NUT	1
88	27068-G01		HORN SWITCH BOOT	1
89	19233-G1		HORN SWITCH LABEL	1
90	71055-G01		RIVET, 5/32" X 3/8" GRIP (STAINLESS STEEL)	2

ELECTRICAL SYSTEM

THE USE OF NON U.L. PARTS WILL VOID ANY U.L. LISTING.

When ordering parts, please specify the model and serial number of the product.

* Indicates a component that is not available as an individual part.

G** Indicates consult Customer Service Department for additional information.

ITEM	PART NO.	1	2	3	4	5	DESCRIPTION	QTY.
91								
92								
93	74236-G01						LIGHT BRACKET (PASSENGER SIDE)	1
94	74236-G02						LIGHT BRACKET (DRIVER SIDE)	1
95	01038-G01						SCREW, 1/4 - 14 X 3/4" LG.....	2
96	00414-G6						BOLT, 1/4 - 20 X 3/4" LG	2
97	11027-G2						LOCK NUT, 1/4 - 20	2
98	74001-G01						HEADLIGHT AND TURN SIGNAL LIGHT	1
99	00114-G6						SCREW, 1/4 - 14 X 3/4" LG.....	4
100								
101	74004-G01						HEADLIGHT BULB	AR
102	74005-G01						MARKER LIGHT BULB.....	AR
103	74006-G01						TURN SIGNAL BULB.....	AR
104								
105								
106	20209-G3						HEADLIGHT (INCLUDES ITEM 107) (LX / SE)	2
107	00906-G6						SCREW, #10 - 16 X 1" LG	2
108	74337-G01						HEADLIGHT JUMPER	2
109								
110	20570-G3						TURN SIGNAL LIGHT (INCLUDES ITEMS 111 - 116).....	2
111	20574-G3						TURN SIGNAL LIGHT	1
112	00660-G7						WASHER, 1/4"	1
113	20606-G1						WIRE ASSEMBLY	1
114	00567-G7						LOCK WASHER, 1/4"	1
115	00532-G1						NUT, 1/4 - 20.....	1
116	18995-G1						PUSH-ON MALE TERMINAL	1
117	20574-G5						LENS, AMBER	1
118	00118-G5						SCREW, #6 - 18 X 5/8" LG.....	2
119	74056-G01						TURN SIGNAL JUMPER, RED/BLACK (PASSENGER SIDE)	1
120	74056-G02						TURN SIGNAL JUMPER, GREEN/BLACK (DRIVER SIDE)	1

ELECTRICAL SYSTEM

THE USE OF NON U.L. PARTS WILL VOID ANY U.L. LISTING.

When ordering parts, please specify the model and serial number of the product.

* Indicates a component that is not available as an individual part.

G** Indicates consult Customer Service Department for additional information.

ITEM	PART NO.	1	2	3	4	5	DESCRIPTION	QTY.
121								
122								
123	32739-G2						TAILLIGHT ASSEMBLY (COMPLETE)	2
124								
125								
126	17867-G1						TURN SIGNAL (WITH MOUNTING HARDWARE) (INCLUDES ITEM 127)	1
127	21640-G1						TURN SIGNAL FLASHER	1
128	32307-G3						FLEX LOOM, 3/8 X 8" LG	1
129	17618-G1						WIRE TIE	2
130	20965-G3						STEERING COLUMN COVER.....	1
131								
132	72228-G01						WIRE HARNESS (ACCESSORY).....	1
133								
134	17421-G1						IGNITION SWITCH KIT (W/O LIGHTS - STANDARD - WITH HARDWARE)	1
135	17955-G1						IGNITION SWITCH (WITHOUT LIGHTS - NON STANDARD)	1
136	18027-G1						IGNITION SWITCH (WITHOUT LIGHTS - INDIVIDUALLY KEYED)	1
137	33639-G**						IGNITION SWITCH (WITH LIGHTS).....	1
138	00568-G6						LOCK WASHER, 3/4".....	1
139	17137-G1						FACE NUT, 3/4 - 20.....	1
140	17063-G1						IGNITION KEY (SET).....	1
141	73041-G01						WIRE HARNESS (KEY SWITCH).....	1
142								
143								
144	73030-G01						PLATE (IGNITION SWITCH ONLY)	1
145	71181-G02						LABEL (IGNITION SWITCH ONLY) WITHOUT HEADLIGHTS	1
146	71181-G01						LABEL (IGNITION SWITCH ONLY) WITH HEADLIGHTS.....	1
147								
148								
149	73030-G04						PLATE (FUEL GAUGE AND OIL LIGHT).....	1
150	71127-G01						LABEL (OIL LIGHT AND FUEL GAUGE W/O HEADLIGHTS)	1

ELECTRICAL SYSTEM

THE USE OF NON U.L. PARTS WILL VOID ANY U.L. LISTING.

When ordering parts, please specify the model and serial number of the product.

* Indicates a component that is not available as an individual part.

G** Indicates consult Customer Service Department for additional information.

ITEM	PART NO.	1 2 3 4 5	DESCRIPTION	QTY.
151	71131-G01		LABEL (OIL LIGHT AND FUEL GAUGE WITH HEADLIGHTS)	1
152	21553-G1		FUEL GAUGE	1
153	23474-G1		INDICATOR LIGHT	1
154	74311-G01		HARNES (OIL LIGHT/FUEL GAUGE)	1
155	25978-G122		18 GA WIRE (RED 6").....	1
156				
157				
158	73030-G03		PLATE (LOW FUEL AND OIL LIGHT INDICATOR)	1
159	71125-G01		LABEL (LOW FUEL AND LOW OIL W/O HEADLIGHTS).....	1
160	71183-G01		LABEL (OIL AND FUEL LIGHTS WITH HEADLIGHTS)	1
161	23474-G1		INDICATOR LIGHT	2
162	74309-G01		HARNES (OIL LIGHT/FUEL LIGHT)	1
163	25978-G74		18 GA WIRE (RED 6").....	1
164				
165	33623-G02		DRIVE RIVET, 3/16" X 3/8" LG	2
166				
167				
168	74444-G**		CONSOLE INSERT ASSEMBLY (WITH OR W/O POWER OUTLET) (INCLUDES ITEMS 169 - 172).....	1
169	71077-G03		CONSOLE INSERT PLATE	1
170	35966-G**		LABEL (CONSOLE INSERT PLATE).....	1
171	71078-G01		POWER OUTLET (12 VOLT).....	1
172	14601-G10		RIVET, 5/32" X 7/16" LG	2
173	33623-G01		DRIVE RIVET, 5/32" X 5/16" LG	3
174	71081-G01		WIRE HARNES (POWER OUTLET)	1
175				
176				
177	75114-G02		HOUR METER KIT (INCLUDES ITEMS 178 - 182).....	1
178	21573-G1		HOUR METER ASSEMBLY.....	1
179	74019-G01		HOUR METER BRACKET.....	1

ELECTRICAL SYSTEM

THE USE OF NON U.L. PARTS WILL VOID ANY U.L. LISTING.

When ordering parts, please specify the model and serial number of the product.

* Indicates a component that is not available as an individual part.

G** Indicates consult Customer Service Department for additional information.

ITEM	PART NO.	1	2	3	4	5	DESCRIPTION	QTY.
180	00150-G4						SCREW, #10 - 24 X 1/2" LG	2
181	11098-G7						LOCK NUT, #10 - 24	2
182	75117-G01						WIRE HARNESS (HOUR METER).....	1
183								
184								
185	71323-G**						WORK LIGHT BAR WITH LIGHTS AND/OR STROBE (INCLUDES ITEMS 186 - 203, 205 AND/OR 213).....	1
186	75838-G01						STRUT (DRIVER SIDE).....	1
187	75838-G02						STRUT (PASSENGER SIDE)	1
188	75346-G01						WIRE HARNESS (WORK LIGHT)	1
189	71294-G01						BRACE.....	1
190	71293-G01						COVER PLATE	1
191	75347-G01						SWITCH HARNESS	1
192	71077-G**						LIGHT SWITCH PLATE	1
193	33201-G02						STROBE LIGHT MOUNT (USED ONLY WITH STROBE LIGHT)	1
194	75365-G01						HARDWARE KIT (INCLUDES ITEMS 195 - 203).....	1
195	00685-G7						BOLT, 5/16 - 18 X 1 3/4" LG	6
196	00660-G8						WASHER, 5/16".....	12
197	15121-G1						WASHER, 3/8" X 1 1/4"	2
198	11098-G6						LOCK NUT, 5/16 - 18	4
199	00918-G3						ACORN NUT, 5/16 - 18	2
200	33623-G02						DRIVE RIVET, 3/16" X 3/8" LG.....	3
201	20367-G1						GROMMET	2
202	16705-G3						SCREW, 1/4 - 20 X 3/4" LG.....	2
203	14390-G4						LOCK NUT, 1/4 - 20	2
204								
205	20383-G2						WORK LIGHT KIT (INCLUDES ITEMS 206 - 211)	1
206	20209-G2						WORK LIGHT (RECTANGULAR)	2
207	00566-G3						LOCK WASHER, 1/2"	2
208	00533-G1						NUT, 1/2 - 13	2

ELECTRICAL SYSTEM

THE USE OF NON U.L. PARTS WILL VOID ANY U.L. LISTING.

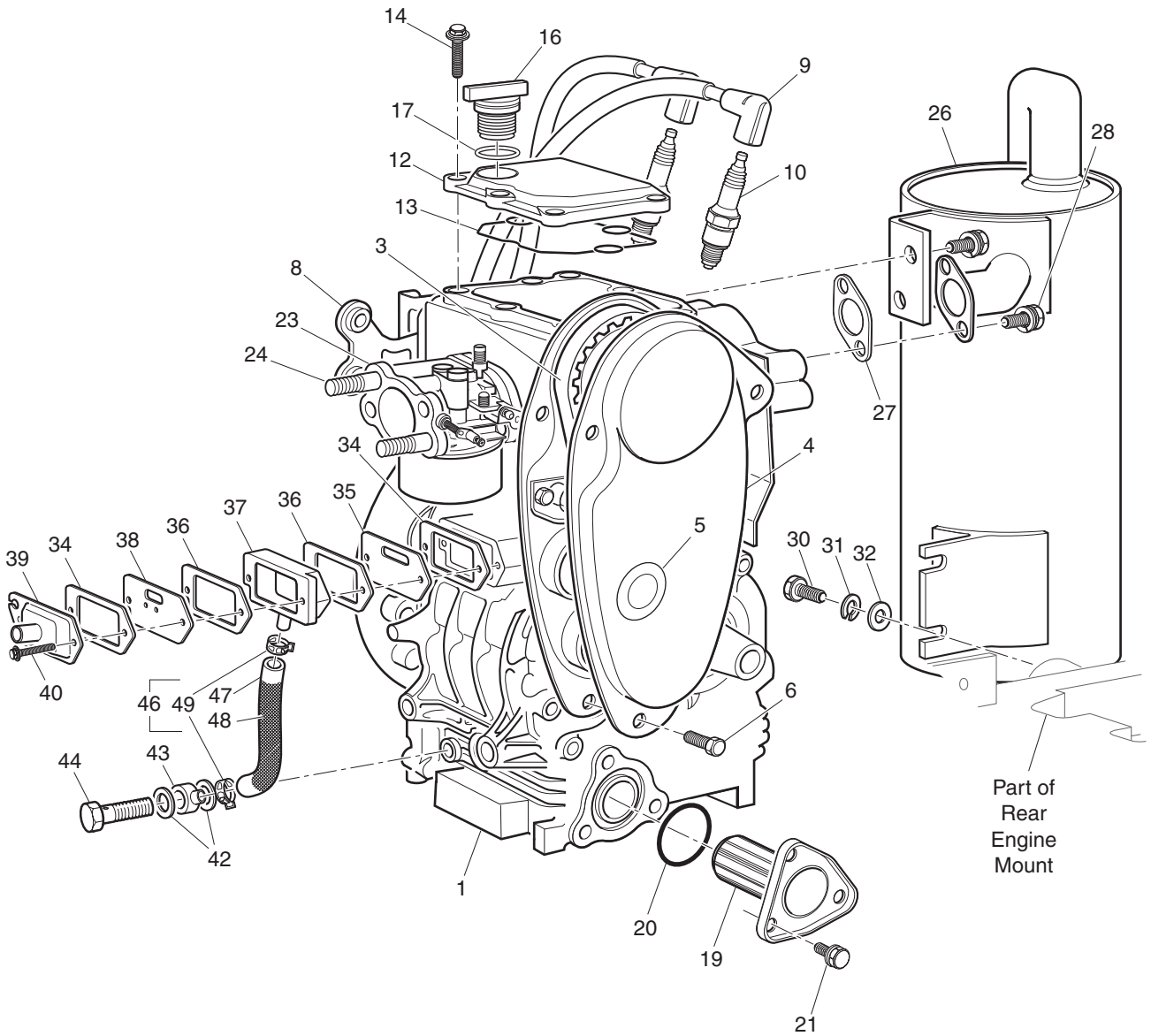
When ordering parts, please specify the model and serial number of the product.

* Indicates a component that is not available as an individual part.

G** Indicates consult Customer Service Department for additional information.

ITEM	PART NO.	1 2 3 4 5	DESCRIPTION	QTY.
209	17317-G1		LIGHT SWITCH.....	1
210	17902-G1		TAB ADAPTER.....	1
211	20053-G1		16 GA WIRE (RED 5 3/8").....	1
212				
213	20385-G2		STROBE LIGHT KIT (INCLUDES ITEMS 214 - 219)	1
214	20394-G1		STROBE LIGHT	1
215	00379-G4		SCREW, #10 - 24 x 1/2" LG	3
216	11098-G7		LOCK NUT, #10 - 24	3
217	17317-G1		LIGHT SWITCH.....	1
218	17902-G1		TAB ADAPTER.....	1
219	20053-G1		16 GA WIRE (RED 5 3/8").....	1

ENGINE AND MUFFLER



Ref Emf 5

ENGINE AND MUFFLER

THE USE OF NON U.L. PARTS WILL VOID ANY U.L. LISTING.

When ordering parts, please specify the model and serial number of the product.

* Indicates a component that is not available as an individual part.

G** Indicates consult Customer Service Department for additional information.

ITEM	PART NO.	1	2	3	4	5	DESCRIPTION	QTY.
1	28590-G02						ENGINE, 295 CC	1
2								
3	26626-G01						TIMING BELT	1
4	26630-G01						TIMING BELT COVER	1
5	26631-G01						TIMING BELT COVER GROMMET.....	1
6	26678-G01						BOLT, M6 X 1 X 12 MM LG	3
7								
8	26657-G01						IGNITION COIL BRACKET	1
9	26733-G01						SPARK PLUG WIRE SET (2 WITH BOOTS)	1
10	25523-G3						SPARK PLUG (NGK BPR4ES - RESISTOR).....	2
11								
12	26600-G01						VALVE COVER.....	1
13	26719-G01						VALVE COVER GASKET	1
14	26676-G01						FLANGED BOLT, M6 X 1 X 23 MM LG	6
15								
16	26601-G01						OIL FILLER CAP	1
17	26720-G01						OIL FILLER "O" RING	1
18								
19	26591-G01						OIL FILTER	1
20	26710-G01						OIL FILTER "O" RING	1
21	26680-G01						BOLT AND WASHER, M6 X 1 X 12 MM LG	3
22								
23	XXXXX-XX						CARBURETOR (SEE CARBURETOR SECTION).....	X
24	26667-G01						STUD.....	2
25								
26	72019-G01						MUFFLER	1
27	25531-G1						EXHAUST GASKET	1
28	25532-G1						BOLT AND WASHER, M8 X 1.25 X 18 MM LG	4
29								
30	00438-G8						BOLT, 5/16 - 18 X 1" LG	1

ENGINE AND MUFFLER

THE USE OF NON U.L. PARTS WILL VOID ANY U.L. LISTING.

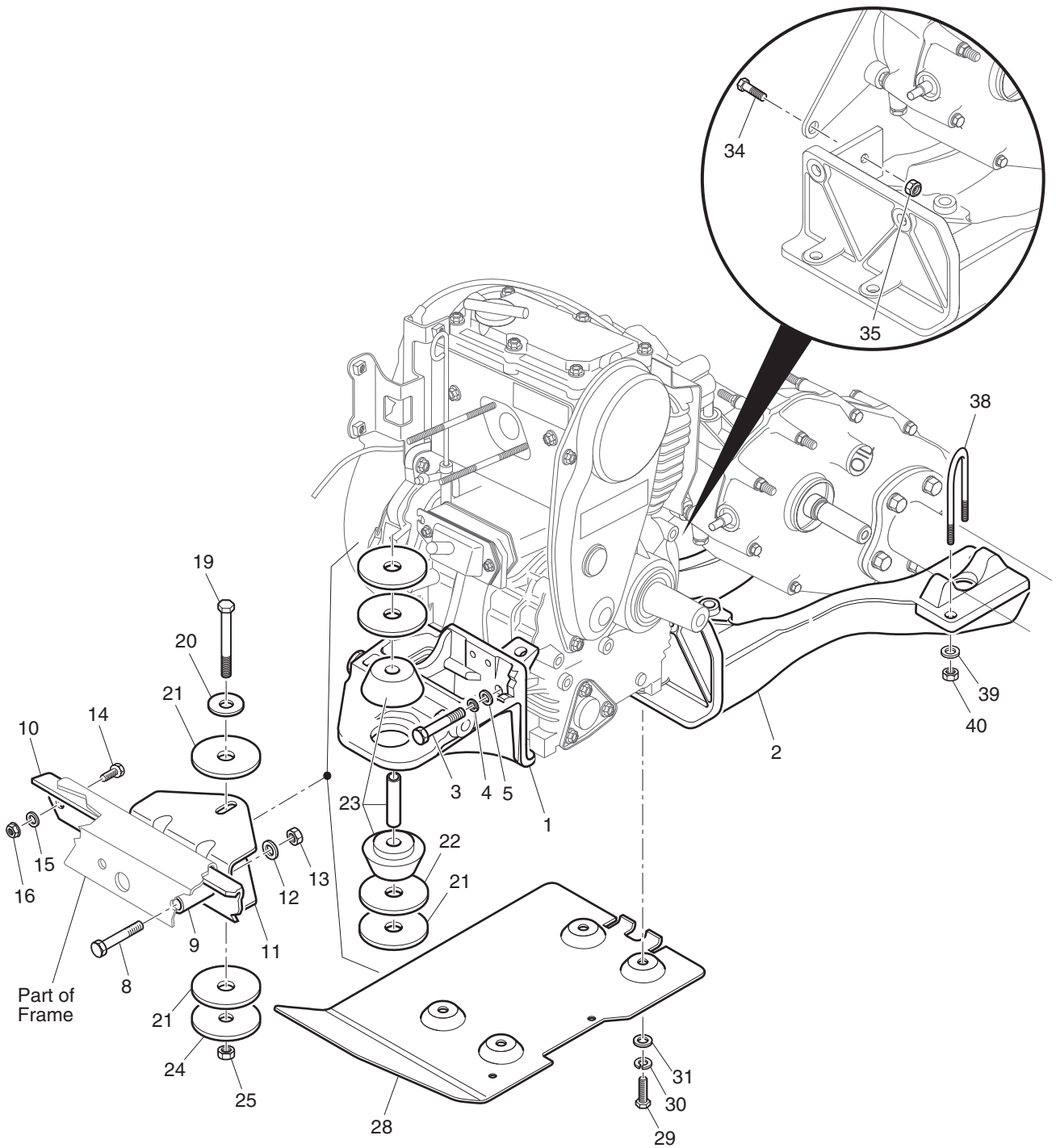
When ordering parts, please specify the model and serial number of the product.

* Indicates a component that is not available as an individual part.

G** Indicates consult Customer Service Department for additional information.

ITEM	PART NO.	1 2 3 4 5	DESCRIPTION	QTY.
31	00565-G8		LOCK WASHER, 5/16"	1
32	00642-G8		WASHER, 5/16"	1
33				
34	72555-G01		BREATHER COVER GASKET (THICK).....	2
35	72657-G01		INNER BREATHER PLATE (LONG SLOT).....	1
36	72554-G01		BREATHER COVER GASKET (THIN).....	2
37	72658-G01		BREATHER BOX.....	1
38	72676-G01		OUTER BREATHER PLATE (SHORT SLOT)	1
39	72659-G01		BREATHER COVER	1
40	72680-G01		FLANGED BOLT, M6 X 1 X 70 MM LG	2
41				
42	72656-G01		ALUMINUM GASKET.....	2
43	72655-G01		BANJO UNION.....	1
44	72654-G01		BANJO BOLT	1
45				
46	72653-G01		RUBBER RETURN HOSE (INCLUDES ITEMS 47 - 49)	1
47	72677-G01		RUBBER HOSE, 6 MM ID X 12 MM OD X 145 MM LG	1
48	72678-G01		MESH PROTECTIVE COVER.....	1
49	72679-G01		HOSE CLAMP	2

ENGINE MOUNTING



Ref Emt 5

ENGINE MOUNTING

THE USE OF NON U.L. PARTS WILL VOID ANY U.L. LISTING.

When ordering parts, please specify the model and serial number of the product.

* Indicates a component that is not available as an individual part.

G** Indicates consult Customer Service Department for additional information.

ITEM	PART NO.	1	2	3	4	5	DESCRIPTION	QTY.
1	72010-G01						FRONT ENGINE MOUNT	1
2	72011-G01						REAR ENGINE MOUNT	1
3	00463-G4						BOLT, 7/16 - 14 X 1 1/2" LG	4
4	00566-G2						LOCK WASHER, 7/16"	4
5	00922-G3						WASHER, 7/16"	4
6								
7								
8	00428-G6						BOLT, 3/8 - 16 X 2 3/4" LG	2
9	72016-G01						ISOLATOR SPACER	2
10	70269-G01						CROSSMEMBER BRACE	1
11	72044-G01						MOUNT BRACKET	1
12	00643-G1						WASHER, 3/8"	2
13	11098-G5						LOCK NUT, 3/8 - 16	2
14	00438-G7						BOLT, 5/16 - 18 X 7/8" LG	2
15	00571-G2						WASHER, 5/16"	2
16	11098-G6						LOCK NUT, 5/16 - 18	2
17								
18								
19	00430-G4						BOLT, 3/8 - 16 X 4 1/2" LG	1
20	15121-G1						WASHER, 1 1/4" X 3/8"	1
21	72050-G01						PLASTIC WASHER, 2 1/2" x 5/8"	4
22	72051-G01						WASHER, 2 1/2" X 5/8"	2
23	72015-G01						ISOLATION MOUNT	1
24	72051-G02						WASHER, 2 1/2" X 11/32"	1
25	11098-G5						LOCK NUT, 3/8 - 16	1
26								
27								
28	72719-G01						ENGINE GUARD.....	1
29	00463-G4						BOLT, 7/16 - 14 X 1 1/2" LG	4
30	00566-G2						LOCK WASHER, 7/16"	4

ENGINE MOUNTING

THE USE OF NON U.L. PARTS WILL VOID ANY U.L. LISTING.

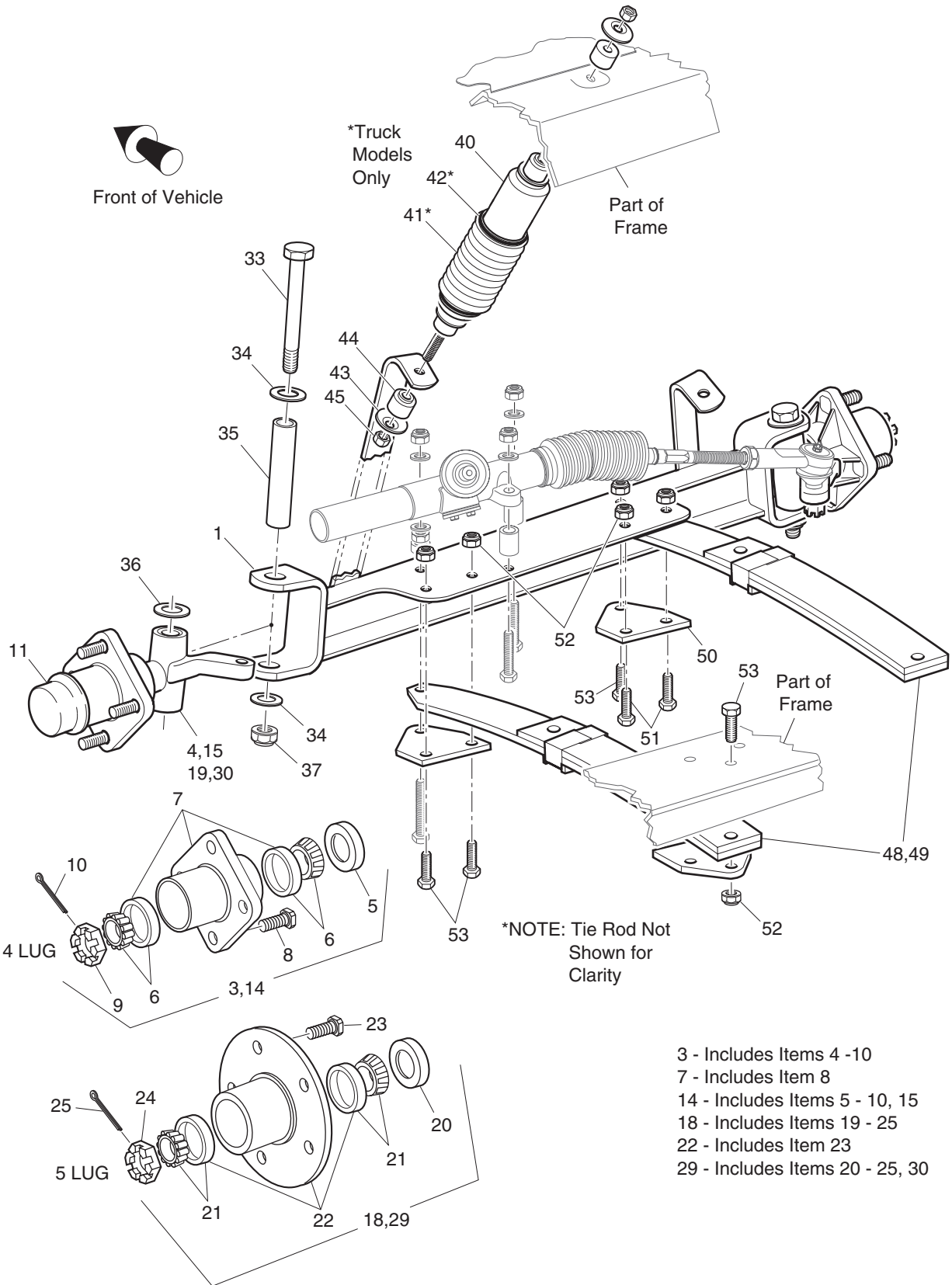
When ordering parts, please specify the model and serial number of the product.

* Indicates a component that is not available as an individual part.

G** Indicates consult Customer Service Department for additional information.

ITEM	PART NO.	1 2 3 4 5	DESCRIPTION	QTY.
31	00922-G3		WASHER, 7/16"	4
32				
33				
34	00439-G1		BOLT, 5/16 - 18 X 1 1/8" LG	1
35	11098-G6		LOCK NUT, 5/16 - 18	1
36				
37				
38	72035-G01		'U' BOLT, 7/16 - 14	2
39	00922-G3		WASHER, 7/16"	4
40	00734-G1		LOCK NUT, 7/16 - 14	4

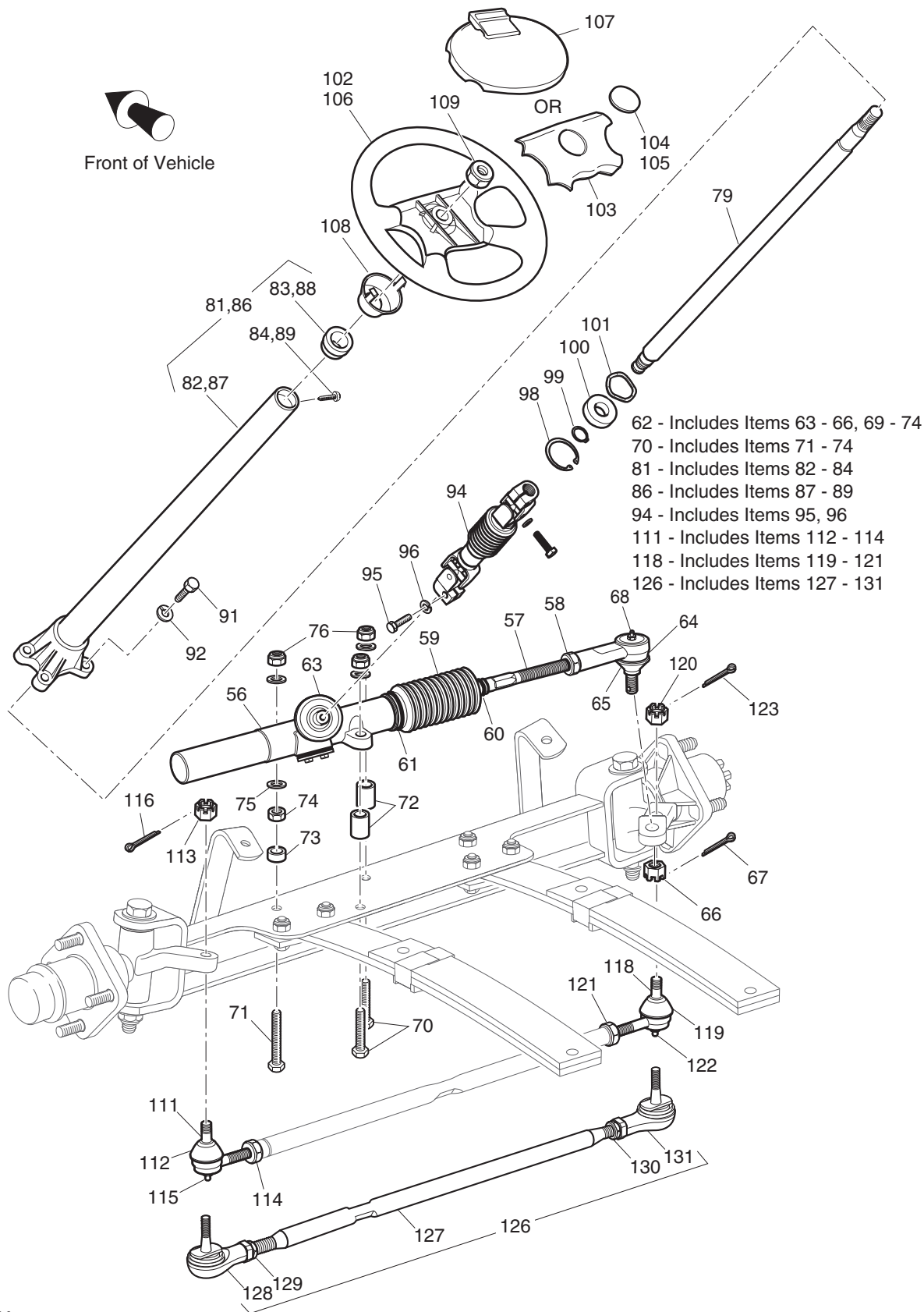
FRONT SUSPENSION



- 3 - Includes Items 4 -10
- 7 - Includes Item 8
- 14 - Includes Items 5 - 10, 15
- 18 - Includes Items 19 - 25
- 22 - Includes Item 23
- 29 - Includes Items 20 - 25, 30

Ref Fsp 5-1

FRONT SUSPENSION



Ref Esp 5-2

FRONT SUSPENSION

THE USE OF NON U.L. PARTS WILL VOID ANY U.L. LISTING.

When ordering parts, please specify the model and serial number of the product.

* Indicates a component that is not available as an individual part.

G** Indicates consult Customer Service Department for additional information.

ITEM	PART NO.	1 2 3 4 5	DESCRIPTION	QTY.
1	70963-G01		FRONT AXLE	1
2				
3	70942-G01		SPINDLE AND HUB ASSEMBLY, 4 LUG (PASSENGER SIDE) (INCLUDES ITEMS 4 - 10).....	1
4	70942-G02		SPINDLE ASSEMBLY (PASSENGER SIDE).....	1
5	25146-G1		GREASE SEAL.....	1
6	50892-G1		ROLLER BEARING AND RACE ASSEMBLY.....	2
7	70895-G01		WHEEL HUB ASSEMBLY WITH RACES, 4 LUG (INCLUDES ITEM 8)	1
8	19862-G1		LUG BOLT, 1/2 - 20 X 1 7/32" LG.....	4
9	12093-G1		SLOTTED NUT, 1 - 14	1
10	00798-G8		COTTER PIN, 5/32" X 1 3/4" LG	1
11	12091-G2		SPINDLE CAP.....	2
12				
13				
14	70673-G01		SPINDLE AND HUB ASSEMBLY, 4 LUG (DRIVER SIDE) (INCLUDES ITEMS 5 - 10, 15).....	1
15	70673-G02		SPINDLE ASSEMBLY (DRIVER SIDE)	1
16				
17				
18	70943-G01		SPINDLE AND HUB ASSEMBLY, 5 LUG (PASSENGER SIDE) (INCLUDES ITEMS 19 - 25).....	1
19	70942-G02		SPINDLE ASSEMBLY (PASSENGER SIDE).....	1
20	12092-G1		GREASE SEAL.....	1
21	50892-G1		ROLLER BEARING AND RACE ASSEMBLY.....	2
22	70772-G01		WHEEL HUB ASSEMBLY WITH RACES, 5 LUG (INCLUDES ITEM 23)	1
23	30143-G1		LUG BOLT, 1/2 - 20 X 1 7/32" LG.....	5
24	12093-G1		SLOTTED NUT, 1 - 14	1
25	00798-G8		COTTER PIN, 5/32" X 1 3/4" LG	1
26				
27				
28				

FRONT SUSPENSION

THE USE OF NON U.L. PARTS WILL VOID ANY U.L. LISTING.

When ordering parts, please specify the model and serial number of the product.

* Indicates a component that is not available as an individual part.

G** Indicates consult Customer Service Department for additional information.

ITEM	PART NO.	1 2 3 4 5	DESCRIPTION	QTY.
29	70797-G01		SPINDLE AND HUB ASSEMBLY, 5 LUG (DRIVER SIDE) (INCLUDES ITEMS 20 - 25, 30).....	1
30	70673-G02		SPINDLE ASSEMBLY (DRIVER SIDE)	1
31				
32				
33	00407-G6		BOLT, 1/2 - 13 X 6" LG	2
34	00560-G3		WASHER, 1/2"	4
35	70745-G01		KING PIN TUBE	2
36	70754-G01		THRUST WASHER (STAINLESS STEEL).....	2
37	14390-G6		LOCK NUT, 1/2 - 13	2
38				
39				
40	70928-G01		SHOCK ABSORBER.....	2
41	70509-G01		SHOCK ABSORBER BOOT	2
42	31539-G1		WIRE TIE	4
43	10435-G1		SHOCK ABSORBER WASHER	8
44	10194-G1		RUBBER SHOCK ABSORBER BUSHING	8
45	00532-G6		NUT, 3/8 - 24	4
46				
47				
48	70597-G02		LEAF SPRING (SEE PART NUMBER ON SPRING).....	2
49	70664-G02		LEAF SPRING (HEAVY DUTY) (SEE PART NUMBER ON SPRING).....	2
50	70163-G02		SPRING PLATE	4
51	00463-G4		BOLT, 7/16 - 14 X 1 1/2" LG	2
52	00734-G1		LOCK NUT, 7/16 - 14	9
53	00463-G6		BOLT, 7/16 - 14 X 1 3/4" LG	9
54				
55				
56	70602-G01		RACK AND PINION UNIT (COMPLETE) (INCLUDES ITEMS 57 - 60, 63 - 68).....	1
57	70694-G01		RACK EXTENSION	1

FRONT SUSPENSION

THE USE OF NON U.L. PARTS WILL VOID ANY U.L. LISTING.

When ordering parts, please specify the model and serial number of the product.

* Indicates a component that is not available as an individual part.

G** Indicates consult Customer Service Department for additional information.

ITEM	PART NO.	1 2 3 4 5	DESCRIPTION	QTY.
58	*		JAM NUT, 1/2 - 20.....	1
59	70675-G01		RACK BOOT.....	1
60	17618-G1		WIRE TIE.....	1
61	12416-G2		WIRE TIE.....	1
62				
63	70638-G01		PINION SEAL.....	1
64	70695-G01		RACK BALL JOINT (INCLUDES ITEMS 65 - 68).....	1
65	50641-G1		RUBBER BOOT.....	1
66	50209-G2		SLOTTED NUT, 7/16 - 20.....	1
67	10387-G2		COTTER PIN, 3/32" X 1" LG.....	1
68	10389-G3		GREASE FITTING, STRAIGHT.....	1
69				
70	00464-G6		BOLT, 7/16 - 14 X 2 3/4" LG.....	2
71	01068-G01		BOLT, 7/16 - 14 X 3 1/2" LG.....	1
72	70667-G02		SPACER.....	2
73	70667-G03		SPACER (SHORT).....	1
74	00532-G7		NUT, 7/16 - 14.....	1
75	00560-G2		FLAT WASHER, 7/16".....	4
76	00734-G1		LOCK NUT, 7/16 - 14.....	3
77				
78				
79	70607-G01		STEERING SHAFT.....	1
80				
81	70758-G03		STEERING COLUMN KIT (INCLUDES ITEMS 82 - 84).....	1
82	70610-G01		STEERING COLUMN.....	1
83	28569-G01		STEERING COLUMN BUSHING.....	1
84	01022-G01		SCREW, #6 - 20 X 5/16" LG.....	1
85				
86	70758-G04		STEERING COLUMN KIT (HORN) (INCLUDES ITEMS 87 - 89).....	1
87	70610-G02		STEERING COLUMN.....	1

FRONT SUSPENSION

THE USE OF NON U.L. PARTS WILL VOID ANY U.L. LISTING.

When ordering parts, please specify the model and serial number of the product.

* Indicates a component that is not available as an individual part.

G** Indicates consult Customer Service Department for additional information.

ITEM	PART NO.	1 2 3 4 5	DESCRIPTION	QTY.
88	28569-G01		STEERING COLUMN BUSHING.....	1
89	01022-G01		SCREW, #6 - 20 X 5/16" LG	1
90				
91	01006-G01		BOLT, 3/8 - 16 X 1 1/4" LG WITH PATCHLOCK	4
92	00879-G1		LOCK WASHER, 3/8".....	4
93				
94	70580-G01		INTERMEDIATE SHAFT (INCLUDES ITEMS 95, 96).....	1
95	01055-G01		BOLT, M8 X 1 1/4" LG.....	2
96	00565-G8		LOCK WASHER, 5/16"	2
97				
98	70751-G01		RETAINING RING (INTERNAL).....	1
99	70888-G01		RETAINING RING (EXTERNAL).....	1
100	15112-G1		BALL BEARING	1
101	70887-G01		WAVE WASHER.....	1
102	71146-G01		STEERING WHEEL	1
103	71147-G01		STEERING WHEEL COVER	1
104	71047-G01		DECAL (E-Z-GO)	1
105	74405-G01		DECAL (CUSHMAN).....	1
106	71948-G01		STEERING WHEEL	1
107	71950-G01		CLIPBOARD.....	1
108	71949-G01		HUB COVER	1
109	14390-G2		LOCK NUT, 5/8 - 18	1
110				
111	27205-G01		TIE ROD END (LEFT HAND THREAD) (INCLUDES ITEMS 112 - 114).....	1
112	50641-G1		RUBBER BOOT	1
113	50209-G2		SLOTTED NUT, 7/16 - 20	1
114	18434-G3		JAM NUT, 9/16 - 18 (LEFT HAND THREAD)	1
115	10389-G3		GREASE FITTING, STRAIGHT.....	1
116	10387-G2		COTTER PIN, 3/32" X 1" LG	1
117				

FRONT SUSPENSION

THE USE OF NON U.L. PARTS WILL VOID ANY U.L. LISTING.

When ordering parts, please specify the model and serial number of the product.

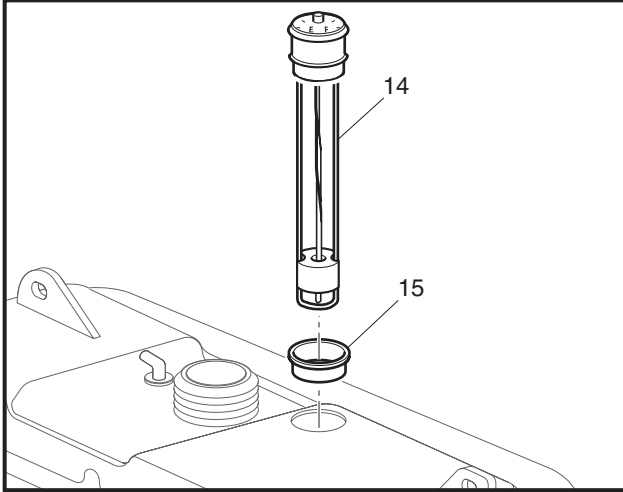
* Indicates a component that is not available as an individual part.

G** Indicates consult Customer Service Department for additional information.

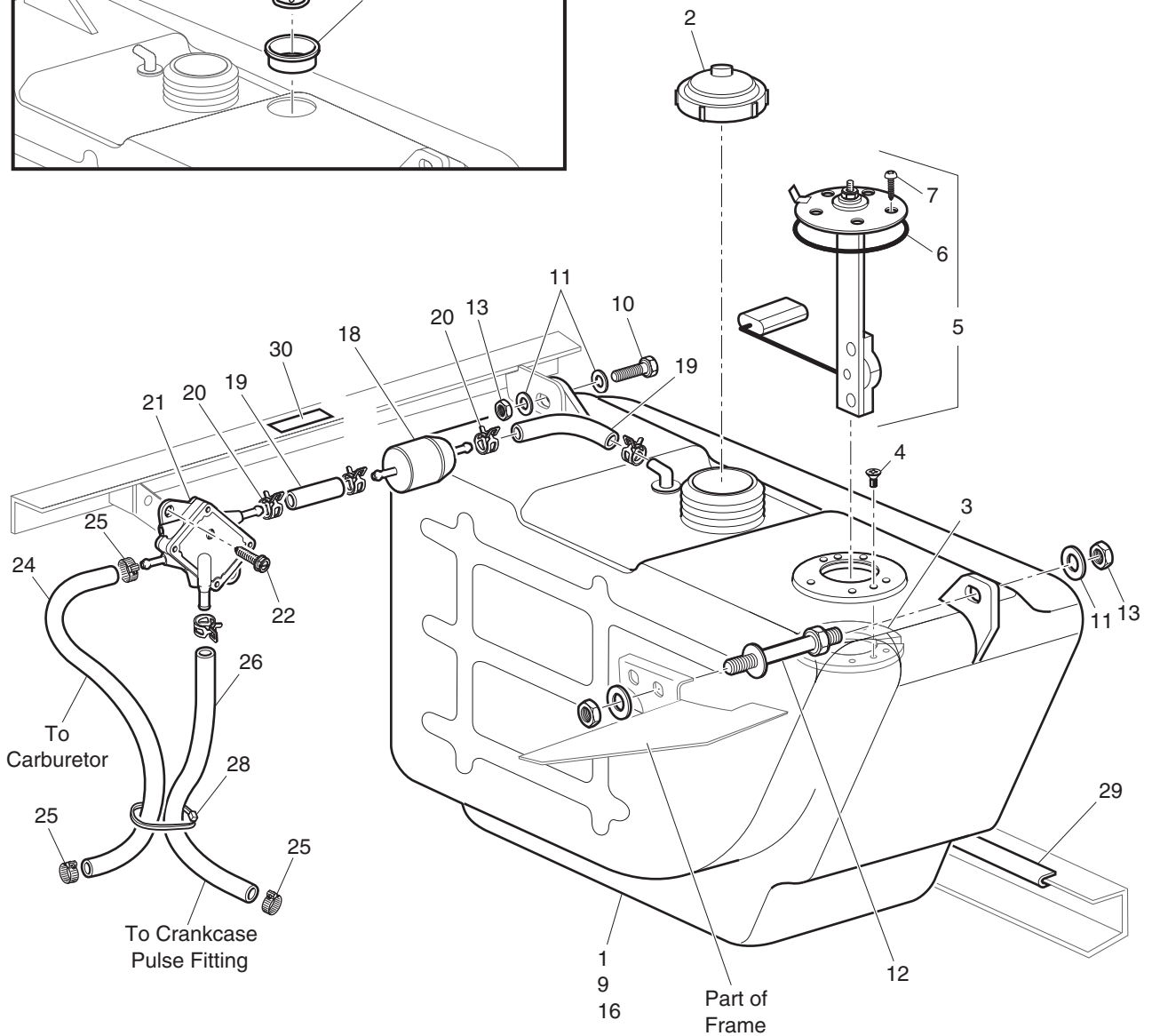
ITEM	PART NO.	1 2 3 4 5	DESCRIPTION	QTY.
118	27205-G02		TIE ROD END (RIGHT HAND THREAD) (INCLUDES ITEMS 119 - 121)	1
119	50641-G1		RUBBER BOOT	1
120	50209-G2		SLOTTED NUT, 7/16 - 20	1
121	18434-G4		JAM NUT, 9/16 - 18 (RIGHT HAND THREAD)	1
122	10389-G3		GREASE FITTING, STRAIGHT	1
123	10387-G2		COTTER PIN, 3/32" X 1" LG	1
124				
125				
126	70876-G02		TIE ROD ASSEMBLY (INCLUDES ITEMS 127 - 131)	1
127	70897-G02		THREADED ROD (24" LG)	1
128	70902-G01		TIE ROD END (LEFT HAND THREADS)	1
129	01069-G01		JAM NUT, M12 X 1.25-05 (LEFT HAND THREADS)	1
130	70902-G02		TIE ROD END (RIGHT HAND THREADS)	1
131	01069-G02		JAM NUT, M12 X 1.25-05 (RIGHT HAND THREADS)	1
132				
133	00734-G1		LOCK NUT, 7/16 - 14	2

FUEL SYSTEM

MECHANICAL GAUGE



Front of Vehicle



Ref Fsy 5

FUEL SYSTEM

THE USE OF NON U.L. PARTS WILL VOID ANY U.L. LISTING.

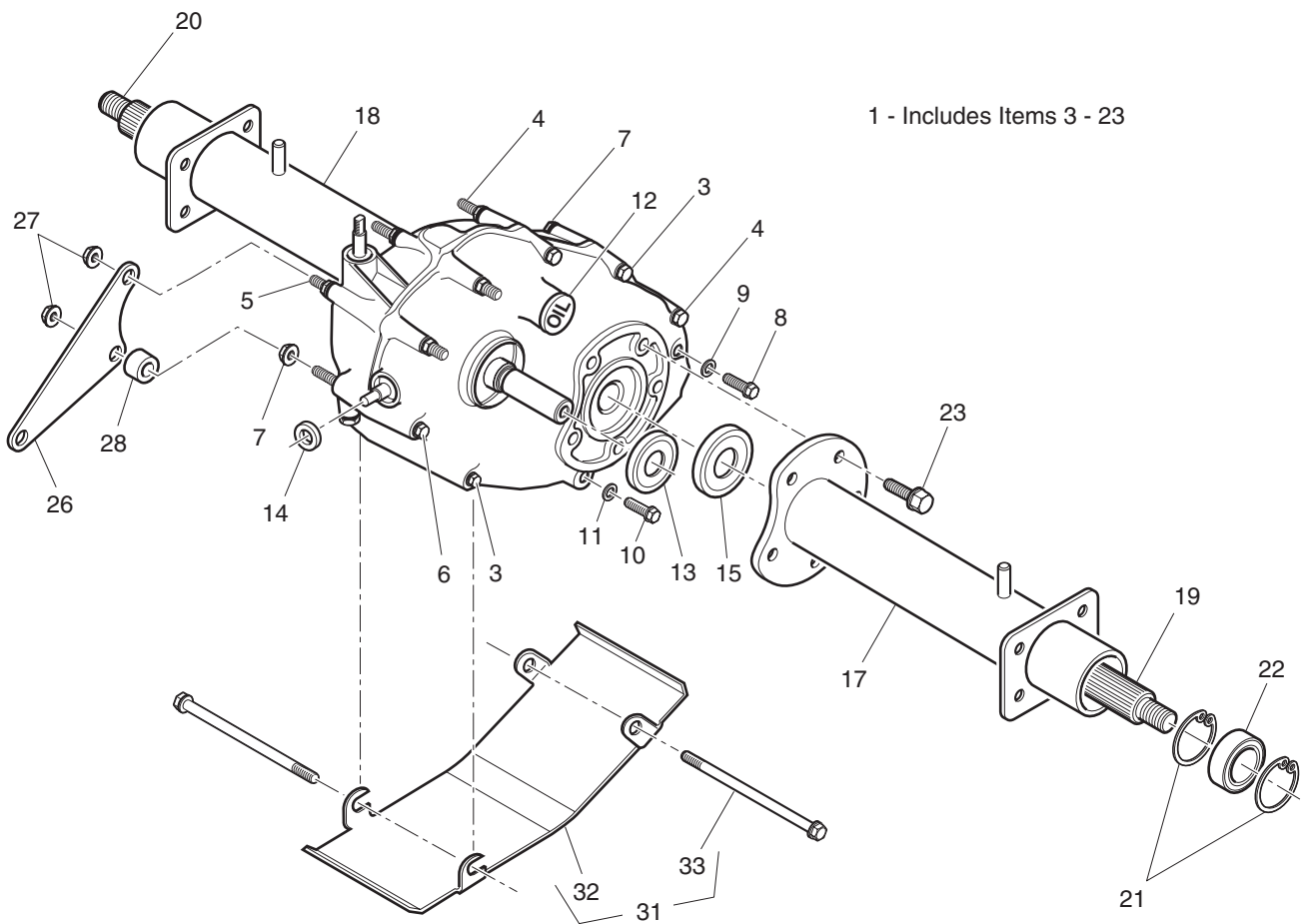
When ordering parts, please specify the model and serial number of the product.

* Indicates a component that is not available as an individual part.

G** Indicates consult Customer Service Department for additional information.

ITEM	PART NO.	1 2 3 4 5	DESCRIPTION	QTY.
1	72092-G01		FUEL TANK (FOR VEHICLES WITHOUT GAUGE)	1
2	72282-G01		FUEL TANK CAP.....	1
3	72229-G01		FUEL LEVEL SENDER ADAPTER	1
4	72230-G01		SCREW, #6 - 32 X 1/2" LG.....	2
5	20048-G2		FUEL LEVEL SENDER (ELEC. FUEL GAUGE) (INCLUDES ITEMS 6, 7)	1
6	*		GASKET	1
7	72232-G01		SCREW, #10 - 32 x 3/4" LG.....	5
8				
9	72092-G02		FUEL TANK (FOR ELECTRIC FUEL GAUGE).....	1
10	00438-G8		BOLT, 5/16 - 18 X 1" LG	1
11	00559-G8		WASHER, 5/16"	4
12	70483-G01		SPACER.....	1
13	11098-G6		LOCK NUT, 5/16 - 18	3
14	72281-G01		FUEL GAUGE (MECHANICAL)	1
15	72280-G01		GROMMET.....	1
16	72092-G04		FUEL TANK (FOR MECHANICAL GAUGE)	1
17				
18	72084-G01		FUEL FILTER	1
19	17470-G1		TUBING, 3 1/4" LG (BULK)	2
20	18292-G1		CLAMP	5
21	72021-G01		FUEL PUMP.....	1
22	00114-G6		SCREW, 1/4 - 14 X 3/4" LG.....	2
23				
24	17470-G1		TUBING, 16" LG (BULK)	A/R
25	11391-G4		HOSE CLAMP	3
26	27183-G01		PULSE TUBING, 19" LG (BULK).....	A/R
27				
28	17618-G1		WIRE TIE	3
29	22280-G1		VINYL TRIM, 6 1/4" LG (BULK)	A/R
30	26459-G01		LABEL (UNLEADED GASOLINE ONLY)	1

REAR AXLE



Ref Rax 5

REAR AXLE

THE USE OF NON U.L. PARTS WILL VOID ANY U.L. LISTING.

When ordering parts, please specify the model and serial number of the product.

* Indicates a component that is not available as an individual part.

G** Indicates consult Customer Service Department for additional information.

ITEM	PART NO.	1 2 3 4 5	DESCRIPTION	QTY.
1	72715-G01		REAR AXLE (13.32:1) (INCLUDES ITEMS 3 - 23)	1
2				
3	26823-G01		FLANGED BOLT, M8 X 1.25 X 100 MM LG.....	5
4	26824-G01		FLANGED BOLT, M8 X 1.25 X 110 MM LG.....	2
5	*		BOLT, M8 X 1.25 X 146 MM LG.....	2
6	72052-G01		FLANGED BOLT, M8 X 1.25 X 130 MM LG.....	1
7	72269-G01		FLANGE NUT, M8 X 1.25 MM	12
8	26768-G01		OIL CHECK PLUG.....	1
9	26769-G01		GASKET, 8 MM.....	1
10	26770-G01		OIL DRAIN PLUG	1
11	26771-G01		GASKET, 14 MM.....	1
12	26772-G01		OIL FILLER PLUG	1
13	26761-G01		INPUT SHAFT SEAL	1
14	26762-G01		SHIFTER SHAFT SEAL.....	1
15	72259-G01		AXLE SHAFT SEAL.....	2
16				
17	72115-G01		AXLE TUBE (DRIVER SIDE).....	1
18	72116-G01		AXLE TUBE (PASSENGER SIDE)	1
19	72056-G01		AXLE SHAFT (DRIVER SIDE).....	1
20	72057-G01		AXLE SHAFT (PASSENGER SIDE)	1
21	26814-G01		RETAINING RING.....	4
22	26811-G01		BALL BEARING	2
23	72260-G01		FLANGED BOLT, M10 X 1.5 X 23 MM LG.....	10
24				
25				
26	72017-G01		AXLE BRACKET	1
27	26830-G01		LOCK NUT, M8 X 1.25 MM	2
28	75048-G01		SPACER, 1/2".....	1
29				
30				

REAR AXLE

THE USE OF NON U.L. PARTS WILL VOID ANY U.L. LISTING.

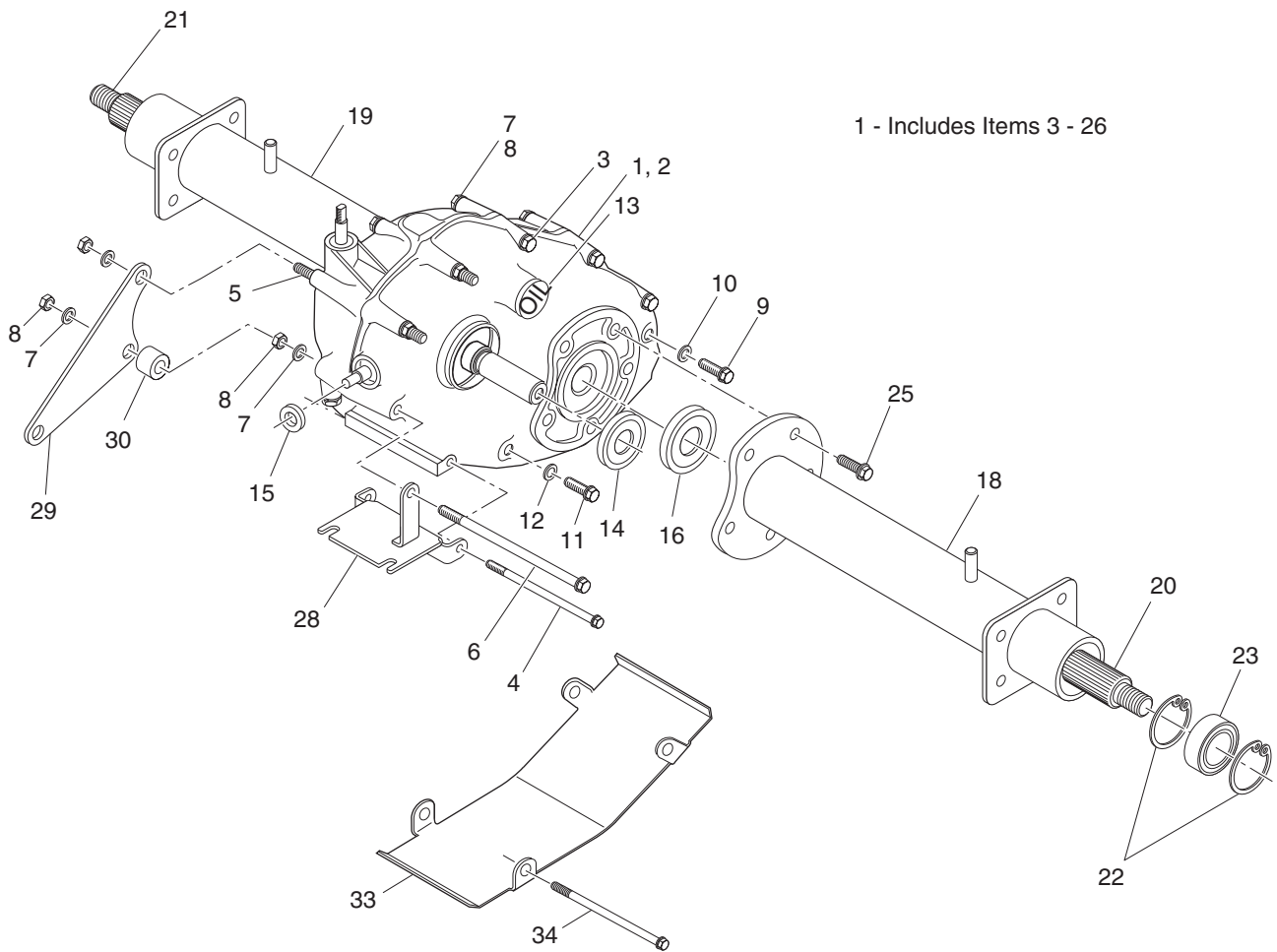
When ordering parts, please specify the model and serial number of the product.

* Indicates a component that is not available as an individual part.

G** Indicates consult Customer Service Department for additional information.

ITEM	PART NO.	1 2 3 4 5	DESCRIPTION	QTY.
31	72347-G01		DIFFERENTIAL GUARD KIT (INCLUDES ITEMS 32 - 33)	1
32	72349-G01		DIFFERENTIAL GUARD	1
33	26824-G01		FLANGED BOLT, M8 X 1.25 X 110 MM LG	2

REAR AXLE - DUAL CABLE



Ref Rxd 5

REAR AXLE - DUAL CABLE

THE USE OF NON U.L. PARTS WILL VOID ANY U.L. LISTING.

When ordering parts, please specify the model and serial number of the product.

* Indicates a component that is not available as an individual part.

G** Indicates consult Customer Service Department for additional information.

ITEM	PART NO.	1	2	3	4	5	DESCRIPTION	QTY.	
1	72031-G01	REAR AXLE (13.32:1) (INCLUDES ITEMS 3 - 28)							1
2									
3	26823-G01	FLANGED BOLT, M8 X 1.25 X 100 MM LG.....							7
4	26824-G01	FLANGED BOLT, M8 X 1.25 X 110 MM LG.....							1
5	72053-G01	FLANGED BOLT, M8 X 1.25 X 120 MM LG.....							1
6	72052-G01	FLANGED BOLT, M8 X 1.25 X 130 MM LG.....							1
7	26826-G01	LOCK WASHER, M8							14
8	26827-G01	NUT, M8 X 1.25 MM.....							14
9	26768-G01	OIL CHECK PLUG.....							1
10	26769-G01	GASKET, 8 MM.....							1
11	26770-G01	OIL DRAIN PLUG							1
12	26771-G01	GASKET, 14 MM.....							1
13	26772-G01	OIL FILLER PLUG							1
14	26761-G01	INPUT SHAFT SEAL							1
15	26762-G01	SHIFTER SHAFT SEAL.....							1
16	26766-G01	AXLE SHAFT SEAL.....							2
17									
18	72115-G01	AXLE TUBE (DRIVER SIDE).....							1
19	72116-G01	AXLE TUBE (PASSENGER SIDE)							1
20	72056-G01	AXLE SHAFT (DRIVER SIDE).....							1
21	72057-G01	AXLE SHAFT (PASSENGER SIDE)							1
22	26814-G01	RETAINING RING.....							4
23	26811-G01	BALL BEARING							2
24									
25	72260-G01	FLANGED BOLT, M10 X 1.5 X 23 MM LG.....							10
26	26815-G01	SHIFTER CABLE BRACKET.....							1
27									
28	72017-G01	AXLE BRACKET							1
29	75048-G01	SPACER, 1/2".....							1
30									

REAR AXLE - DUAL CABLE

THE USE OF NON U.L. PARTS WILL VOID ANY U.L. LISTING.

When ordering parts, please specify the model and serial number of the product.

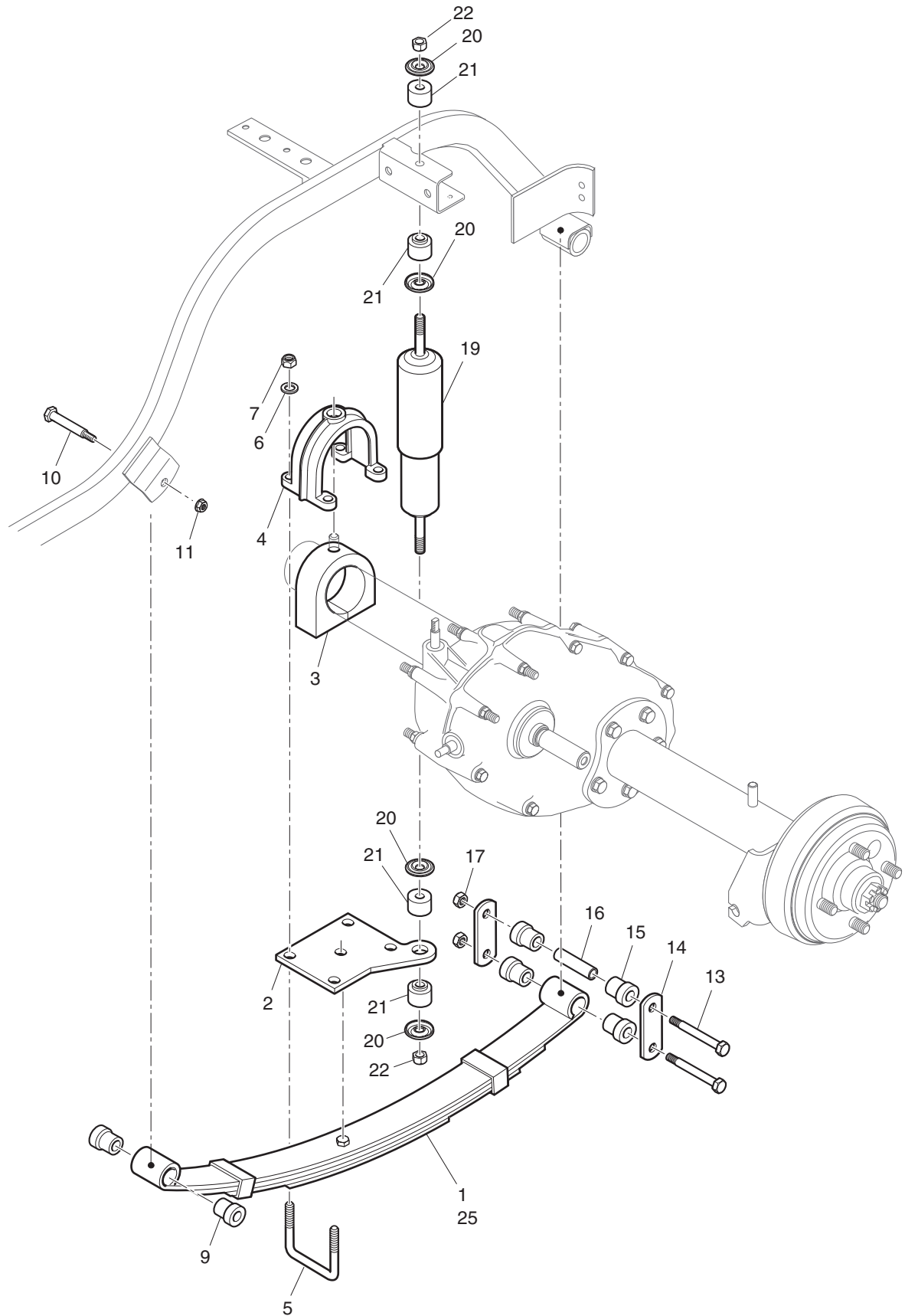
* Indicates a component that is not available as an individual part.

G** Indicates consult Customer Service Department for additional information.

ITEM	PART NO.	1	2	3	4	5	DESCRIPTION	QTY.
31								
32	72347-G01						DIFFERENTIAL SCUFF GUARD KIT (INCLUDES ITEMS 33 - 34)	1
33	72349-G01						DIFFERENTIAL SKID PLATE	1
34	26824-G01						FLANGED BOLT, M8 X 1.25 X 110 MM LG	2

REAR AXLE - DUAL CABLE

REAR SUSPENSION



Ref Rsp 5

REAR SUSPENSION

THE USE OF NON U.L. PARTS WILL VOID ANY U.L. LISTING.

When ordering parts, please specify the model and serial number of the product.

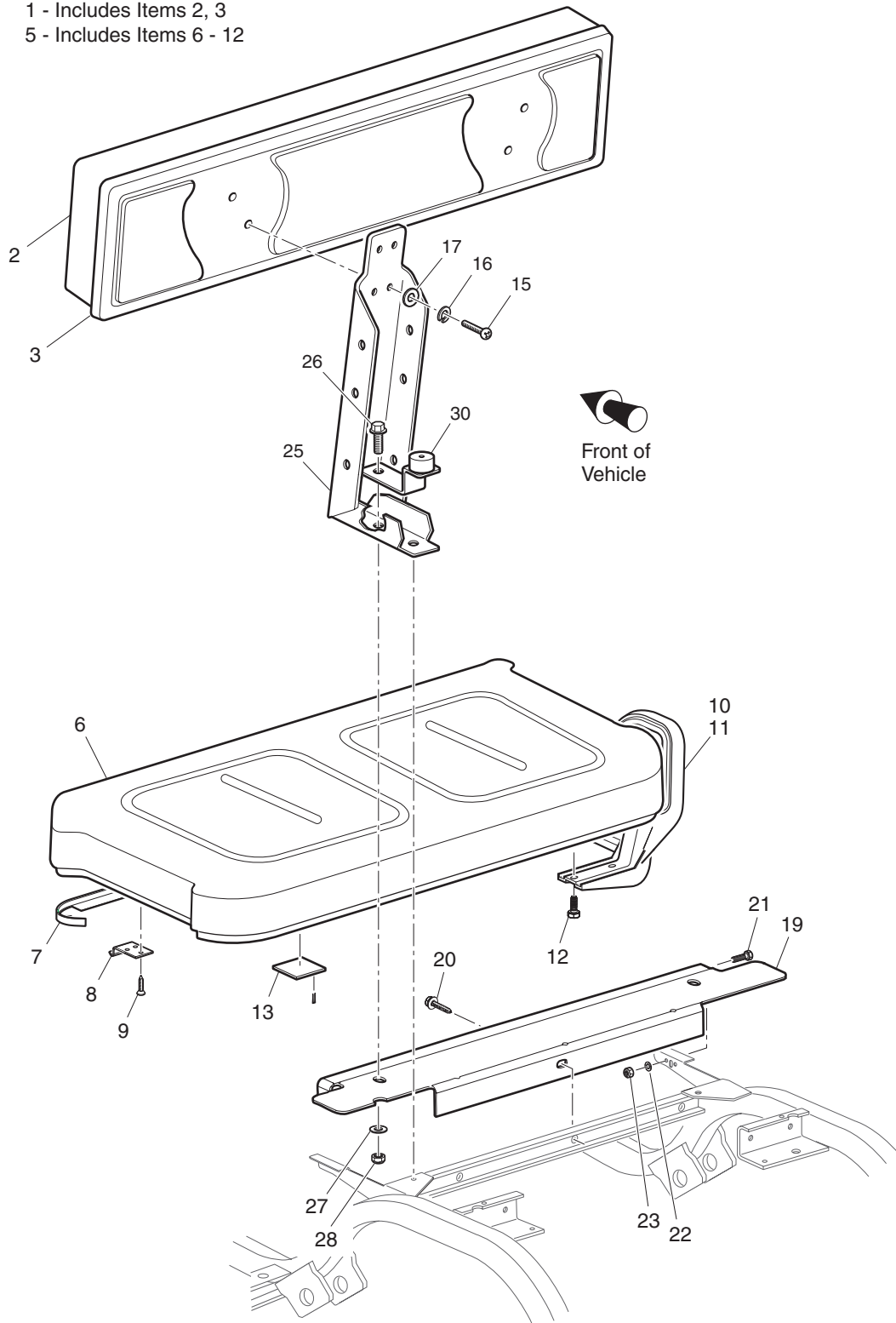
* Indicates a component that is not available as an individual part.

G** Indicates consult Customer Service Department for additional information.

ITEM	PART NO.	1	2	3	4	5	DESCRIPTION	QTY.
1	70505-G01						LEAF SPRING SET (CONTAINS 2 SPRINGS) (800 / 280)	1
2	72028-G01						ISOMOUNT BASE PLATE	2
3	72117-G01						ISOMOUNT BUSHING.....	2
4	72037-G01						ISOMOUNT CAP.....	2
5	72618-G01						'U' BOLT, 3/8 - 16	4
6	00560-G1						WASHER, 3/8"	8
7	11098-G5						LOCK NUT, 3/8 - 16	8
8								
9	70291-G01						FLANGED BUSHING	4
10	14158-G1						SHOULDER BOLT, 3/8 - 16 x 3 1/4" LG.....	2
11	12262-G1						LOCK NUT, 3/8 - 16	2
12								
13	00429-G4						BOLT, 3/8 - 16 X 3 1/2" LG	4
14	70290-G01						SHACKLE PLATE	4
15	70291-G01						FLANGED BUSHING	8
16	70289-G02						SPACER.....	4
17	11098-G5						LOCK NUT, 3/8 - 16	4
18								
19	70324-G01						SHOCK ABSORBER.....	2
20	10435-G1						SHOCK ABSORBER WASHER	8
21	10194-G1						RUBBER BUSHING	8
22	00532-G6						NUT, 3/8 - 24	4
23								
24								
25	70506-G01						LEAF SPRING SET (CONTAINS 2 SPRINGS) (INDUSTRIAL / LX / SE).....	1

SEATS

1 - Includes Items 2, 3
5 - Includes Items 6 - 12



Ref Sea 5

SEATS

THE USE OF NON U.L. PARTS WILL VOID ANY U.L. LISTING.

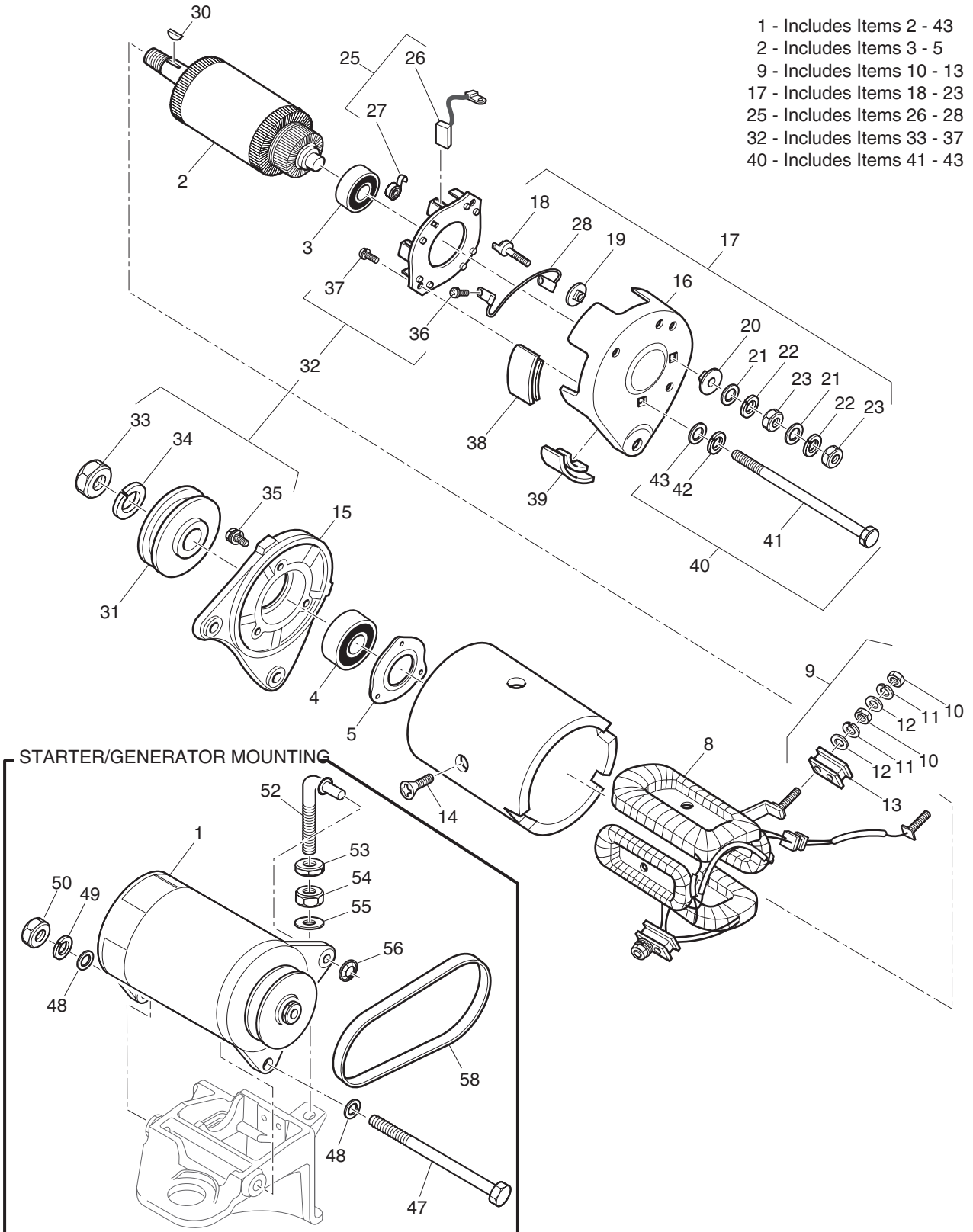
When ordering parts, please specify the model and serial number of the product.

* Indicates a component that is not available as an individual part.

G** Indicates consult Customer Service Department for additional information.

ITEM	PART NO.	1 2 3 4 5	DESCRIPTION	QTY.
1	71274-G**		SEAT BACK ASSEMBLY (INCLUDES ITEMS 2, 3).....	1
2	18144-G**		VINYL SEAT BACK COVER	1
3	18868-G4		PLASTIC SEAT BACK COVER (BLACK)	1
4				
5	71664-G**		SEAT BOTTOM ASSEMBLY (INCLUDES ITEMS 6 - 12).....	1
6	71602-G**		VINYL SEAT BOTTOM COVER	1
7	71012-G01		VINYL TRIM (SEAT BOTTOM).....	1
8	71610-G01		SEAT HINGE	2
9	00720-G08		SCREW, #12 - 14 X 1" LG	6
10	71701-G01		HIP RESTRAINT (PASSENGER SIDE).....	1
11	71702-G01		HIP RESTRAINT (DRIVER SIDE)	1
12	71204-G01		BOLT, 1/4 - 20 X 7/8" LG.....	8
13	17074-G1		RUBBER PAD	2
14				
15	16705-G1		SCREW, 1/4 - 20 X 1" LG.....	4
16	00565-G7		LOCK WASHER, 1/4".....	4
17	00559-G7		WASHER, 1/4"	4
18				
19	71262-G01		SEAT BACK SUPPORT	1
20	00715-G2		BOLT, 5/16 - 18 X 13/16" LG	1
21	00438-G6		BOLT, 5/16 - 18 X 3/4" LG	2
22	00642-G8		WASHER, 5/16"	2
23	11098-G6		LOCK NUT, 5/16 - 18	2
24				
25	75900-G01		SEAT BACK SUPPORT BRACKET	2
26	01006-G1		BOLT, 3/8 - 16 X 1 1/4" LG	4
27	00560-G1		WASHER, 3/8"	2
28	11098-G5		LOCK NUT, 3/8 - 16	2
29				
30	75921-G01		BED BUMPER.....	2

STARTER / GENERATOR



Ref Stg 5

STARTER / GENERATOR

THE USE OF NON U.L. PARTS WILL VOID ANY U.L. LISTING.

When ordering parts, please specify the model and serial number of the product.

* Indicates a component that is not available as an individual part.

G** Indicates consult Customer Service Department for additional information.

ITEM	PART NO.	1	2	3	4	5	DESCRIPTION	QTY.
1	27065-G01						STARTER / GENERATOR (INCLUDES ITEMS 2 - 43).....	1
2	26870-G01						ARMATURE (INCLUDES ITEMS 3 - 5)	1
3	26871-G01						REAR BALL BEARING	1
4	26872-G01						FRONT BALL BEARING	1
5	26873-G01						BEARING HOLDER	1
6								
7								
8	26875-G01						FIELD COIL	1
9	26876-G01						INSULATING BRUSH ASSEMBLY ('F') (INCLUDES ITEMS 10 - 13).....	2
10	*						NUT	2
11	*						LOCK WASHER	2
12	*						WASHER	2
13	*						INSULATOR	1
14	26877-G01						POLE CORE SETSCREW.....	4
15	26878-G01						FRONT COVER.....	1
16	27879-G01						REAR COVER	1
17	26880-G01						TERMINAL ASSEMBLY ('A') (INCLUDES ITEMS 18 - 23).....	2
18	*						TERMINAL	2
19	*						INSULATOR	2
20	*						INSULATOR	2
21	*						WASHER.....	4
22	*						LOCK WASHER	4
23	*						NUT	4
24								
25	26881-G01						BRUSH HOLDER ASSEMBLY (INCLUDES ITEMS 26 - 28)	1
26	26658-G01						BRUSH.....	4
27	26882-G01						BRUSH SPRING	4
28	26883-G01						BRUSH CONNECTOR.....	2
29								
30	26884-G01						KEY.....	1

STARTER / GENERATOR

THE USE OF NON U.L. PARTS WILL VOID ANY U.L. LISTING.

When ordering parts, please specify the model and serial number of the product.

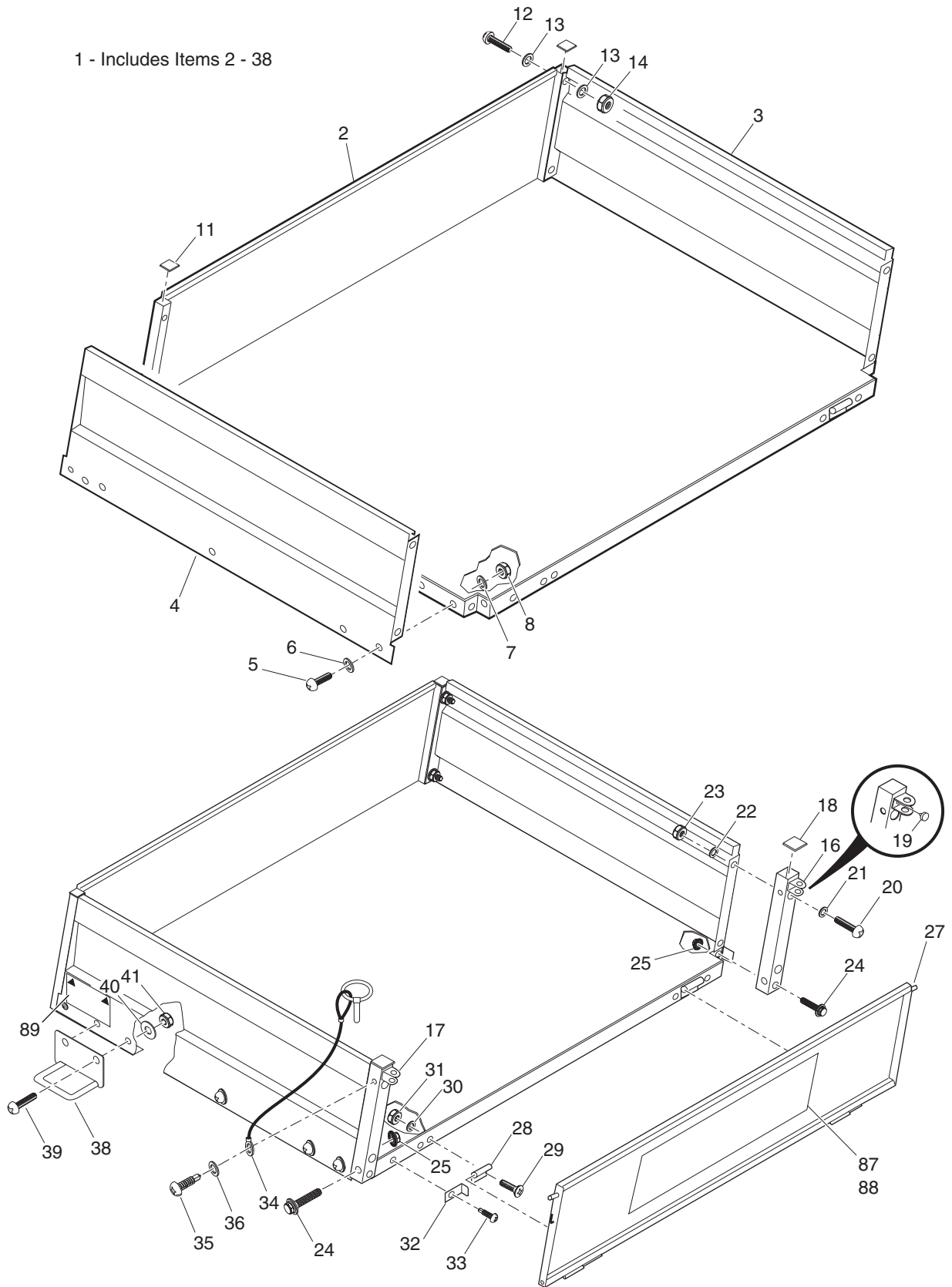
* Indicates a component that is not available as an individual part.

G** Indicates consult Customer Service Department for additional information.

ITEM	PART NO.	1 2 3 4 5	DESCRIPTION	QTY.
31	26885-G01		PULLEY	1
32	26886-G01		BRUSH AND PULLEY HARDWARE KIT (INCLUDES ITEMS 33 - 37).....	1
33	*		NUT	1
34	*		LOCK WASHER	1
35	*		SCREW	3
36	*		SCREW	4
37	*		SCREW	2
38	26887-G01		BRUSH 1 COVER.....	3
39	26888-G01		BRUSH 2 COVER.....	2
40	26889-G01		HOUSING HARDWARE KIT (INCLUDES ITEMS 41 - 43).....	2
41	*		BOLT	2
42	*		LOCK WASHER	2
43	*		WASHER.....	2
44				
45				
46				
47	00938-G4		BOLT, 1/2 - 13 X 8" LG	1
48	00560-G3		WASHER, 1/2"	2
49	00566-G3		LOCK WASHER, 1/2".....	1
50	00533-G1		NUT, 1/2 - 13	1
51				
52	28617-G01		STARTER / GENERATOR ADJUSTER.....	1
53	00544-G5		JAM NUT, 3/8 - 16	1
54	00532-G5		NUT, 3/8 - 16	1
55	00560-G1		WASHER, 3/8"	1
56	12064-G4		PUSH NUT, 5/16"	1
57				
58	26414-G01		STARTER / GENERATOR BELT	1

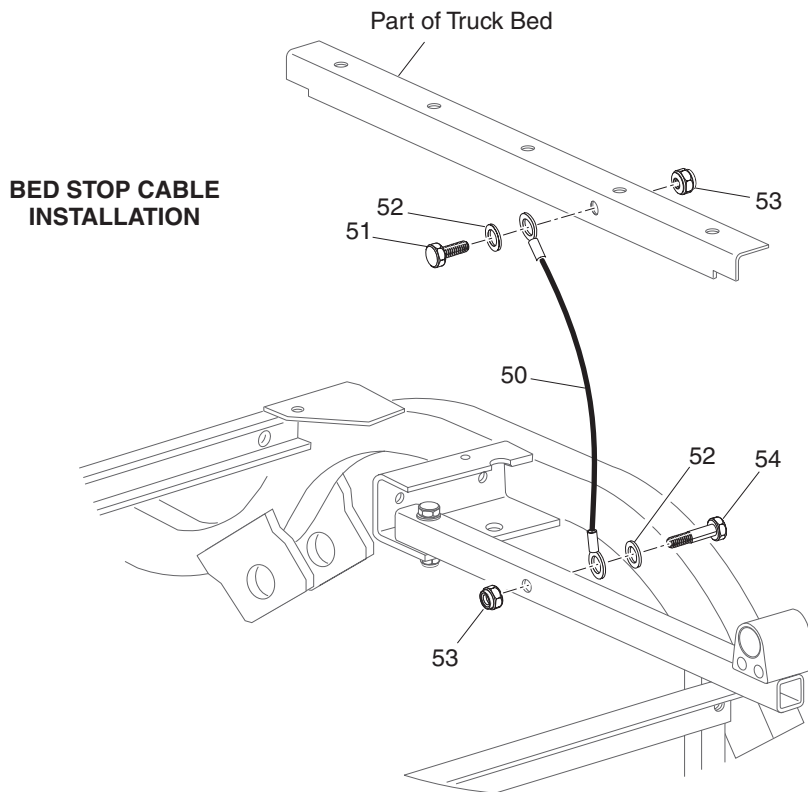
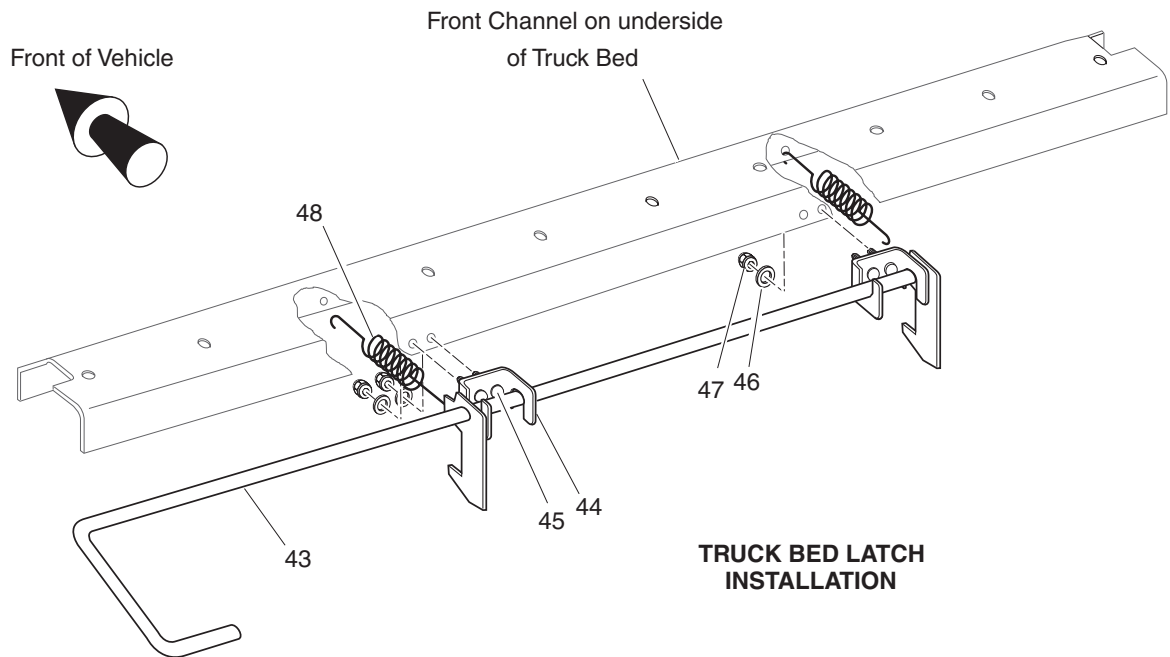
TRUCK BED, MANUAL LIFT

1 - Includes Items 2 - 38



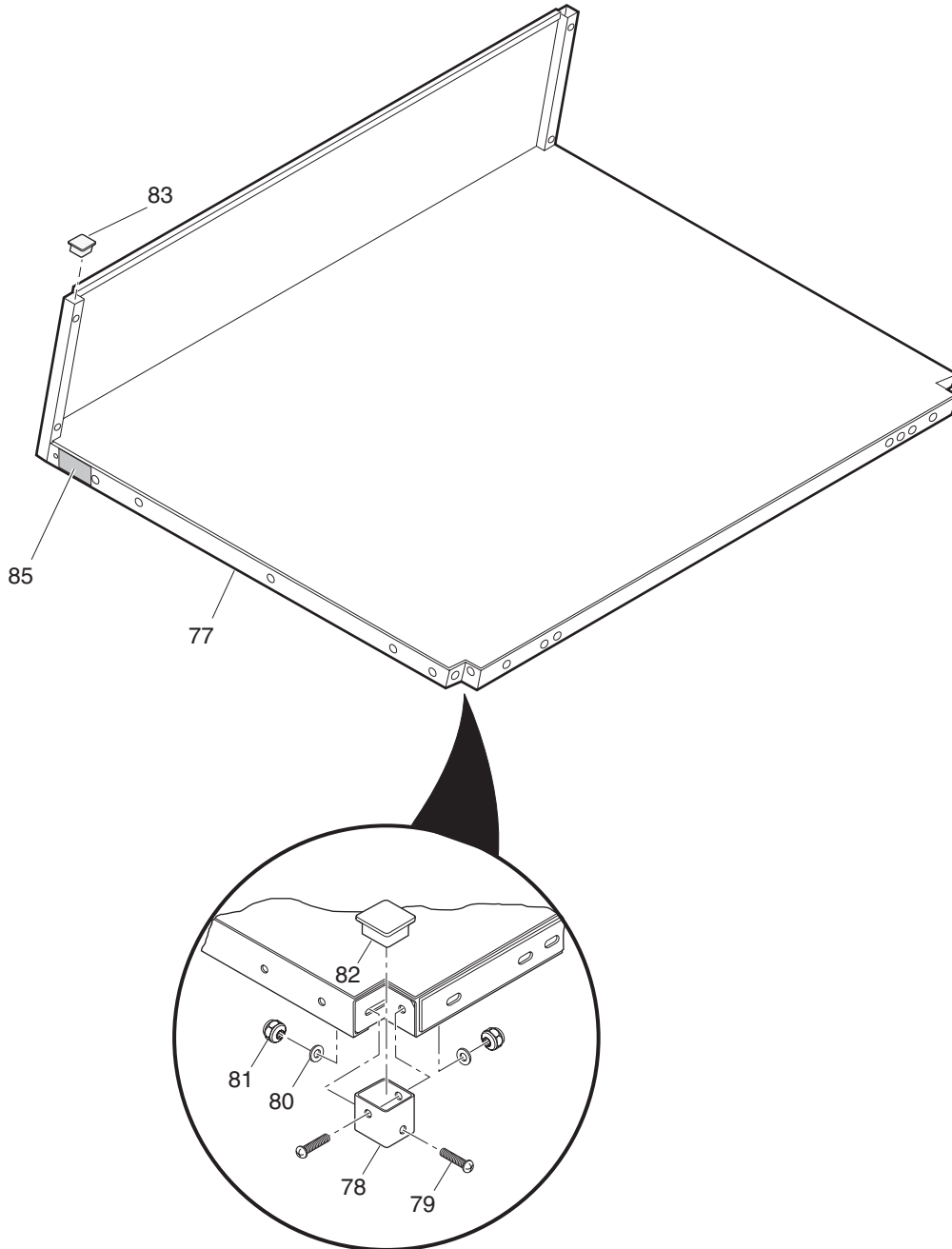
Ref Tbm 5-1

TRUCK BED, MANUAL LIFT



Ref Tbm 5-2

TRUCK BED, MANUAL LIFT



Ref Tbm 5-4

TRUCK BED, MANUAL LIFT

THE USE OF NON U.L. PARTS WILL VOID ANY U.L. LISTING.

When ordering parts, please specify the model and serial number of the product.

* Indicates a component that is not available as an individual part.

G** Indicates consult Customer Service Department for additional information.

ITEM	PART NO.	1 2 3 4 5	DESCRIPTION	QTY.
1	71260-G01		TRUCK BED ASSEMBLY (35") (INCLUDES ITEMS 2 - 38)	1
2	71231-G01		BED (35")	1
3	71248-G01		SIDE PANEL (35", PASSENGER SIDE)	1
4	71248-G02		SIDE PANEL (35", DRIVER SIDE)	1
5	16705-G3		SCREW, 1/4-20 X 3/4" LG	10
6	00915-G1		BONDED WASHER, 1/4"	10
7	00559-G7		WASHER, 1/4"	10
8	14390-G4		LOCK NUT, 1/4 - 20	10
9				
10				
11	71717-G01		END CAP 1"	2
12	16705-G6		SCREW, 1/4 - 20 X 1 3/4" LG	4
13	00915-G1		BONDED WASHER, 1/4"	8
14	14390-G4		LOCK NUT, 1/4 - 20	4
15				
16	71322-G01		POST (PASSENGER SIDE)	1
17	71322-G02		POST (DRIVER SIDE)	1
18	71718-G01		END CAP 1 1/2"	2
19	71838-G01		RUBBER BUMPER	2
20	16705-G3		SCREW, 1/4 - 20 X 3/4" LG	4
21	00915-G1		BONDED WASHER, 1/4"	4
22	00559-G7		WASHER, 1/4"	4
23	14390-G4		LOCK NUT, 1/4 - 20	4
24	13437-G8		LOCK SCREW, 3/8 - 16 X 2" LG	4
25	11027-G5		LOCK NUT, 3/8 - 16	4
26				
27	71245-G01		TAILGATE	1
28	27666-G01		HINGE	2
29	01002-G08		SCREW, 1/4 - 20 X 1" LG	4
30	00559-G7		WASHER, 1/4"	4

TRUCK BED, MANUAL LIFT

THE USE OF NON U.L. PARTS WILL VOID ANY U.L. LISTING.

When ordering parts, please specify the model and serial number of the product.

* Indicates a component that is not available as an individual part.

G** Indicates consult Customer Service Department for additional information.

ITEM	PART NO.	1 2 3 4 5	DESCRIPTION	QTY.
31	14390-G4		LOCK NUT, 1/4 - 20	4
32	71748-G01		TAILGATE KEEPER	1
33	16705-G3		SCREW, 1/4 - 20 X 3/4" LG	1
34	71083-G01		TAILGATE CABLE	2
35	00106-G6		SELF-TAPPING SCREW, #12 - 24 X 3/4" LG	2
36	00915-G1		BONDED WASHER, 1/4"	2
37				
38	71794-G01		LIFT HANDLE	1
39	00976-G08		SCREW, 5/16 - 18 X 1" LG.....	2
40	00559-G8		WASHER, 5/16"	2
41	11098-G6		LOCK NUT, 5/16 - 18	2
42				
43	71264-G01		BED LATCH	1
44	71827-G01		LATCH BRACKET	2
45	01014-G03		CARRIAGE BOLT, 1/4 - 20 X 3/4" LG	4
46	00559-G7		WASHER, 1/4"	4
47	14390-G4		LOCK NUT, 1/4 - 20	4
48	71965-G01		EXTENSION SPRING	2
49				
50	71273-G01		BED STOP CABLE	1
51	00438-G8		BOLT, 5/16 - 18 X 1" LG	1
52	00642-G8		WASHER, 5/16"	2
53	11098-G6		LOCK NUT, 5/16 - 18	2
54	00439-G4		BOLT, 5/16 - 18 X 1 1/2" LG	1
55				
56	74231-G01		BED LINER	1
57	74232-G01		TAILGATE LINER	1
58	18436-G1		RIVET, 1/4" X 3/4" LG	4
59	14601-G10		RIVET, 3/16" X 3/8" LG	6
60	71517-G01		BED CAPACITY DECAL (500 LB).....	1

TRUCK BED, MANUAL LIFT

THE USE OF NON U.L. PARTS WILL VOID ANY U.L. LISTING.

When ordering parts, please specify the model and serial number of the product.

* Indicates a component that is not available as an individual part.

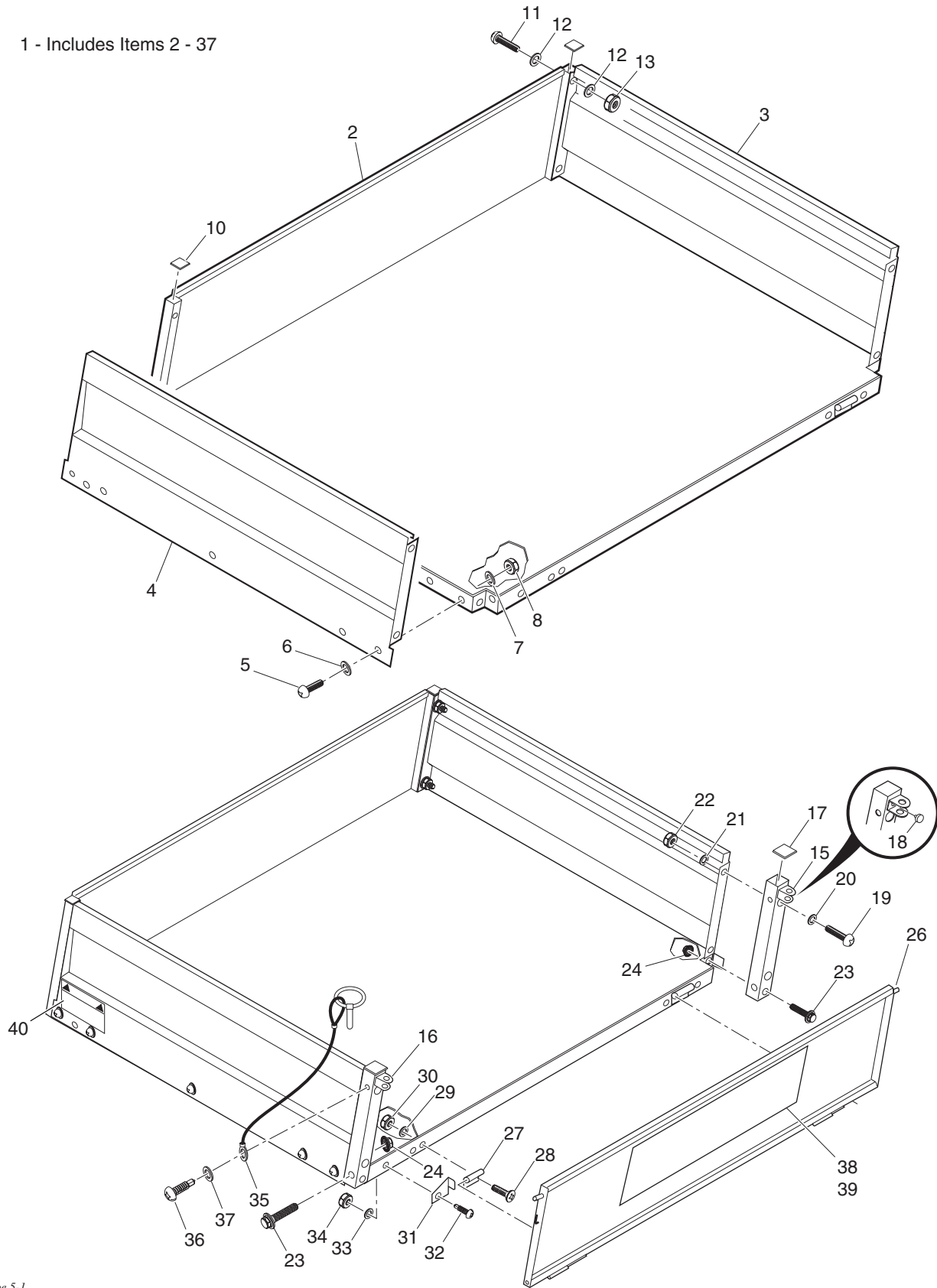
G** Indicates consult Customer Service Department for additional information.

ITEM	PART NO.	1 2 3 4 5	DESCRIPTION	QTY.
61				
62	71258-G01		BED FRAME	1
63	00438-G8		BOLT, 5/16 - 18 X 1" LG	4
64	00642-G8		WASHER, 5/16"	8
65	11098-G6		LOCK NUT, 5/16 - 18	4
66				
67	00415-G6		BOLT, 1/4 - 20 X 1 3/4" LG	2
68	00642-G7		WASHER, 1/4"	4
69	00891-G2		LOCK NUT, 1/4 - 20	2
70				
71	00429-G4		BOLT, 3/8 - 16 X 3 1/2"	2
72	00643-G1		WASHER, 3/8"	4
73	70291-G01		FLANGED BUSHING	4
74	70289-G02		SPACER	2
75	11098-G5		LOCK NUT, 3/8 - 16	2
76				
77	71231-G01		BED, 35"	1
78	71772-G01		CORNER TUBE	2
79	00762-G9		SCREW, 5/16 - 18 X 2 1/2" LG	4
80	00559-G8		WASHER, 5/16"	4
81	00550-G3		LOCK NUT, 5/16 - 18	4
82	71718-G01		END CAP, 1 1/2"	2
83	71717-G01		END CAP, 1"	2
84				
85	71777-G01		LABEL (WARNING)	1
86				
87	71901-G01		LABEL (E-Z-GO)	1
88	74411-G01		LABEL (CUSHMAN)	1
89	71771-G01		LABEL (TILT WARNING)	1

TRUCK BED, MANUAL LIFT

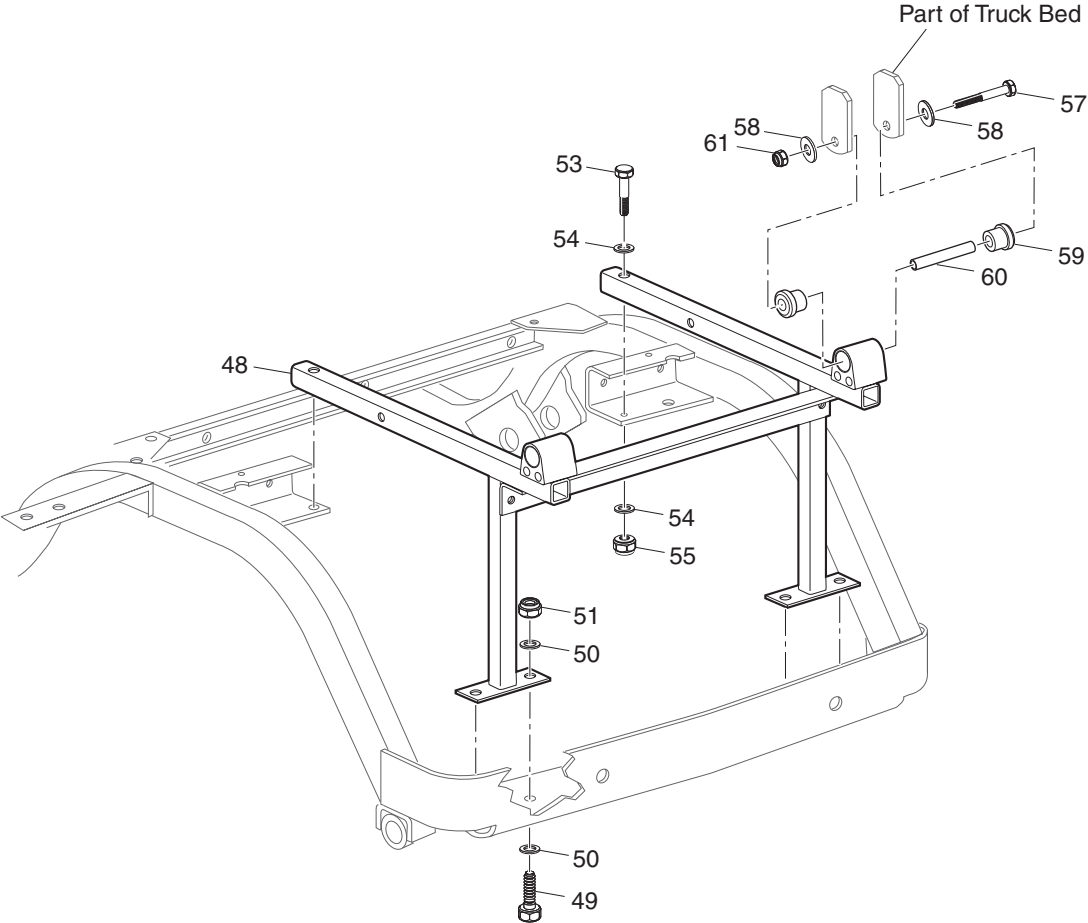
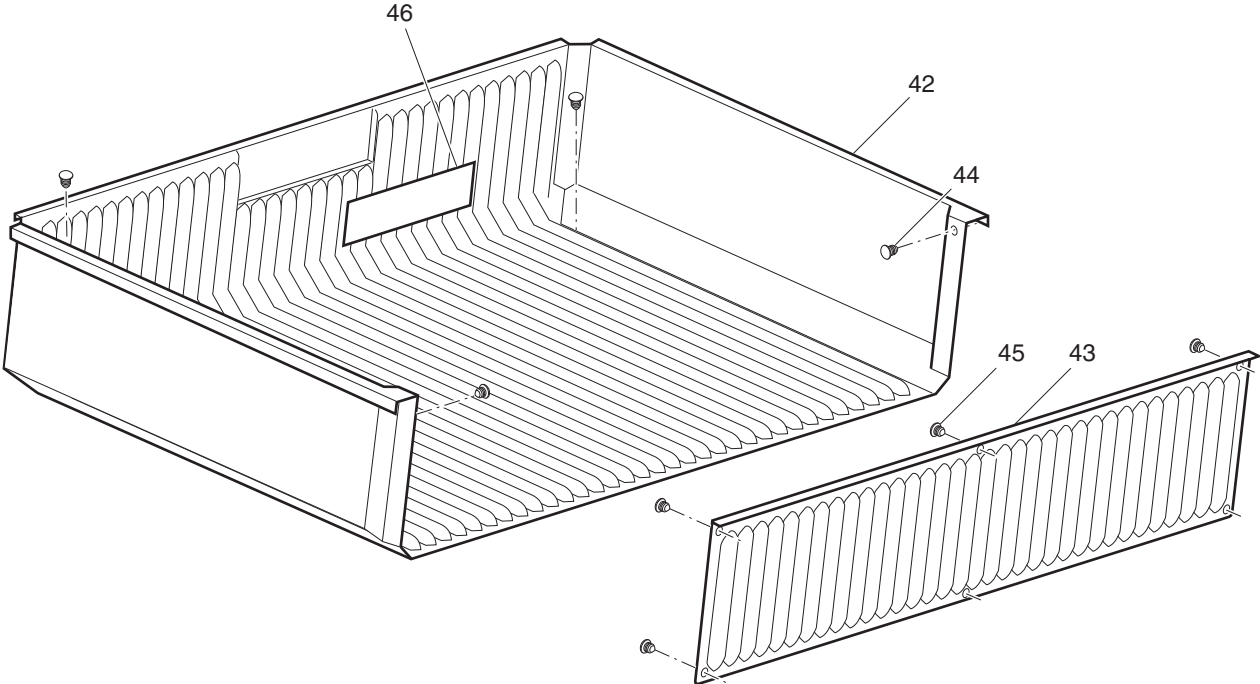
TRUCK BED, ELECTRIC LIFT

1 - Includes Items 2 - 37



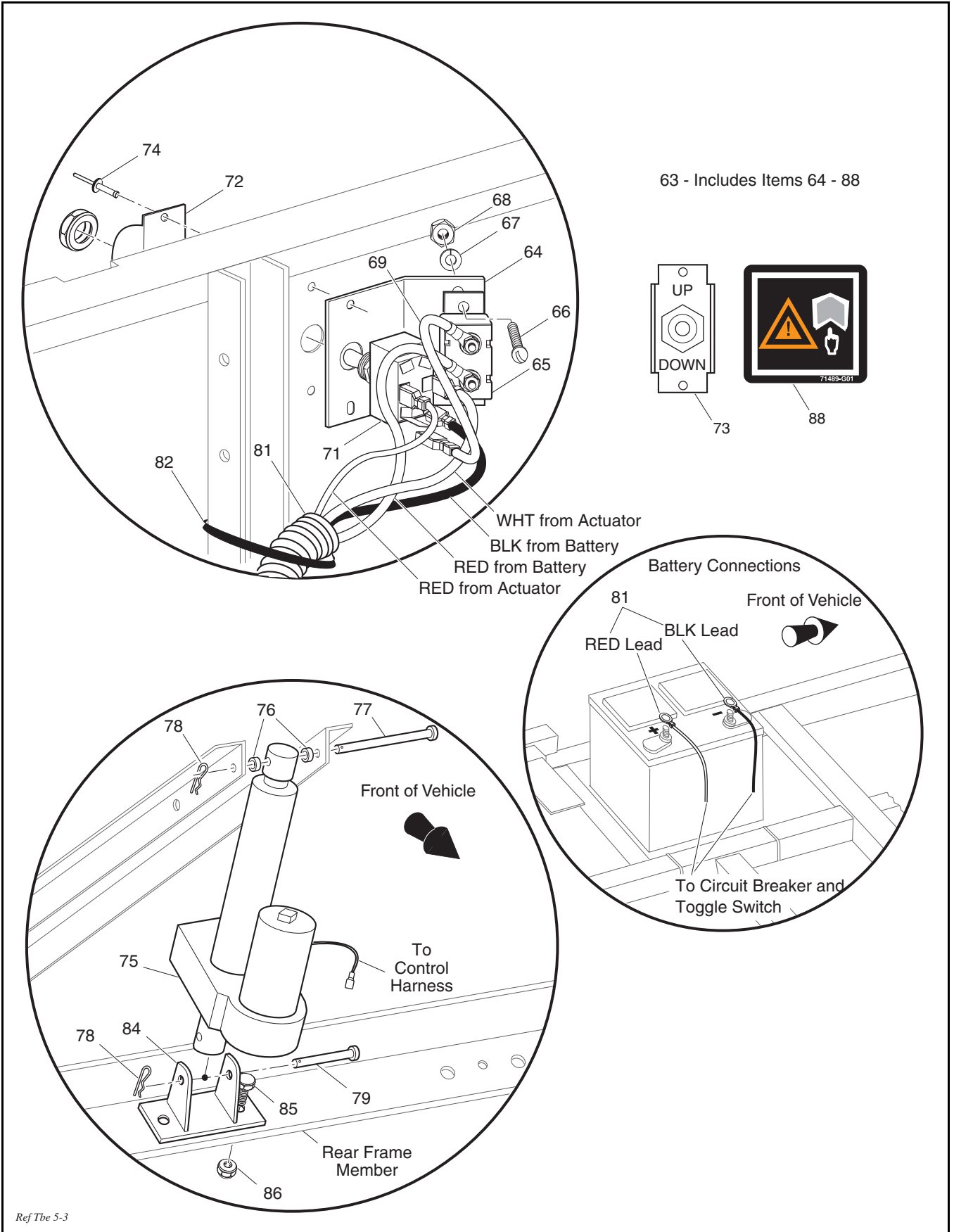
Ref Tbe 5-1

TRUCK BED, ELECTRIC LIFT



Ref Tbe 5-2

TRUCK BED, ELECTRIC LIFT



TRUCK BED, ELECTRIC LIFT

THE USE OF NON U.L. PARTS WILL VOID ANY U.L. LISTING.

When ordering parts, please specify the model and serial number of the product.

* Indicates a component that is not available as an individual part.

G** Indicates consult Customer Service Department for additional information.

ITEM	PART NO.	1 2 3 4 5	DESCRIPTION	QTY.
1	71260-G01		TRUCK BED ASSEMBLY (35") (INCLUDES ITEMS 2 - 37)	1
2	71231-G01		BED (35")	1
3	71248-G01		SIDE PANEL (35", PASSENGER SIDE)	1
4	71248-G02		SIDE PANEL (35", DRIVER SIDE)	1
5	16705-G3		SCREW, 1/4 - 20 X 3/4" LG	10
6	00915-G1		BONDED WASHER, 1/4"	10
7	00559-G7		WASHER, 1/4"	10
8	14390-G4		LOCK NUT, 1/4 - 20	10
9				
10	71717-G01		END CAP, 1"	2
11	16705-G6		SCREW, 1/4 - 20 X 1 3/4" LG	4
12	00915-G1		BONDED WASHER, 1/4"	8
13	14390-G4		LOCK NUT, 1/4 - 20	4
14				
15	71322-G01		POST (PASSENGER SIDE)	1
16	71322-G02		POST (DRIVER SIDE)	1
17	71718-G01		END CAP, 1 1/2"	2
18	71838-G01		RUBBER BUMPER	2
19	16705-G3		SCREW, 1/4 - 20 X 3/4" LG	4
20	00915-G1		BONDED WASHER, 1/4"	4
21	00559-G7		WASHER, 1/4"	4
22	14390-G4		LOCK NUT, 1/4 - 20	4
23	13437-G8		LOCK SCREW, 3/8 - 16 X 2" LG	4
24	11027-G5		LOCK NUT, 3/8 - 16	4
25				
26	71245-G01		TAILGATE	1
27	27666-G01		HINGE	2
28	01002-G08		SCREW, 1/4 - 20 X 1" LG	4
29	00559-G7		WASHER, 1/4"	4
30	14390-G4		LOCK NUT, 1/4 - 20	4

TRUCK BED, ELECTRIC LIFT

THE USE OF NON U.L. PARTS WILL VOID ANY U.L. LISTING.

When ordering parts, please specify the model and serial number of the product.

* Indicates a component that is not available as an individual part.

G** Indicates consult Customer Service Department for additional information.

ITEM	PART NO.	1 2 3 4 5	DESCRIPTION	QTY.
31	71748-G01		TAILGATE KEEPER	1
32	16705-G3		SCREW, 1/4 - 20 X 3/4" LG	1
33	00559-G7		WASHER, 1/4"	1
34	14390-G4		LOCK NUT, 1/4 - 20	1
35	71083-G01		TAILGATE CABLE	2
36	00106-G6		SELF-TAPPING SCREW, #12 - 24 X 3/4" LG	2
37	00915-G1		BONDED WASHER, 1/4"	2
38	71901-G01		LABEL (E-Z-GO)	1
39	74411-G01		LABEL (CUSHMAN).....	1
40	71771-G01		LABEL (TILT WARNING)	1
41				
42	74231-G01		BED LINER	1
43	74232-G01		TAILGATE LINER	1
44	18436-G1		RIVET, 1/4" X 1/2" LG	4
45	14601-G10		RIVET, 3/16" X 3/8" LG	6
46	71517-G01		BED CAPACITY LABEL (500 LB)	1
47				
48	71258-G01		BED FRAME	1
49	00438-G8		BOLT, 5/16 - 18 X 1" LG	4
50	00642-G8		WASHER, 5/16"	8
51	11098-G6		LOCK NUT, 5/16 - 18	4
52				
53	00415-G6		BOLT, 1/4 - 20 X 1 3/4" LG	2
54	00642-G7		WASHER, 1/4"	4
55	00891-G2		LOCK NUT, 1/4 - 20	2
56				
57	00429-G4		BOLT, 3/8 - 16 X 3 1/2"	2
58	00643-G1		WASHER, 3/8"	4
59	70291-G01		FLANGED BUSHING	4
60	70289-G02		SPACER.....	2

TRUCK BED, ELECTRIC LIFT

THE USE OF NON U.L. PARTS WILL VOID ANY U.L. LISTING.

When ordering parts, please specify the model and serial number of the product.

* Indicates a component that is not available as an individual part.

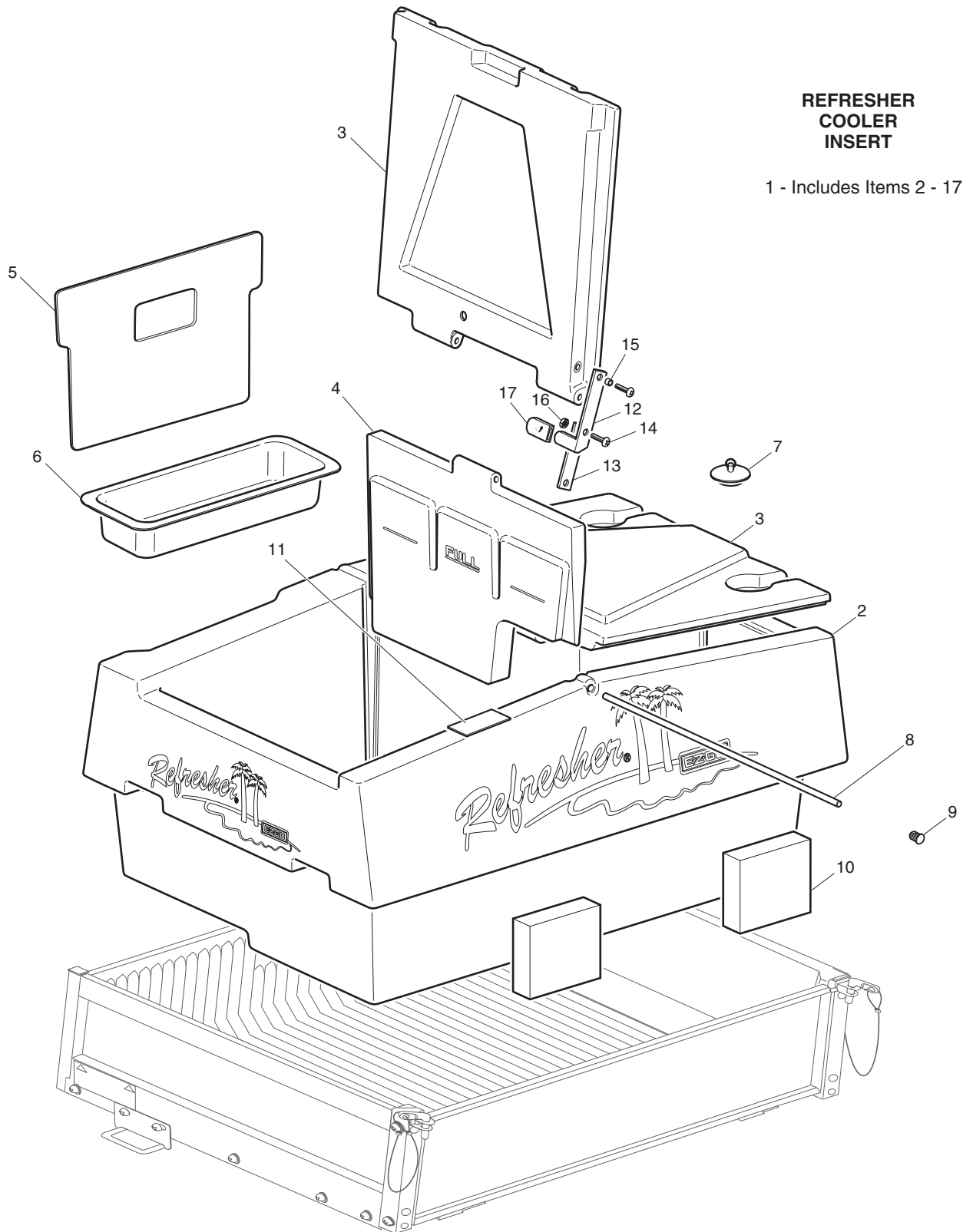
G** Indicates consult Customer Service Department for additional information.

ITEM	PART NO.	1 2 3 4 5	DESCRIPTION	QTY.
61	11098-G5		LOCK NUT, 3/8 - 16	2
62				
63	74164-G04		ELECTRIC DUMP KIT (INCLUDES ITEMS 64 - 88).....	1
64	74165-G01		CIRCUIT BREAKER MOUNTING BRACKET.....	1
65	21320-G3		CIRCUIT BREAKER, 30 AMP, 12V	1
66	00150-G4		SCREW, #10 - 24 X 1/2" LG	2
67	00565-G5		LOCK WASHER, #10	2
68	00526-G3		NUT, #10 - 24.....	2
69	25976-G14		14 GA WIRE (RED 5")	1
70				
71	27680-G01		TOGGLE SWITCH.....	1
72	27447-G01		TOGGLE GUARD	1
73	27446-G01		LABEL.....	1
74	10570-G9		RIVET, 1/8" X 11/32" LG	2
75	27612-G02		ELECTRIC ACTUATOR.....	1
76	27613-G01		SPACER	2
77	14443-G10		CLEVIS PIN, 1/2" X 3" LG	1
78	21683-G1		COTTER PIN, 2 11/16" LG	2
79	14443-G11		CLEVIS PIN, 1/2" X 1 3/4" LG	1
80				
81	74163-G01		WIRE HARNESS (CONTROL)	1
82	17618-G1		WIRE TIE	8
83				
84	71283-G01		ELECTRIC LIFT BRACKET.....	1
85	00462-G7		BOLT, 7/16 - 14 X 7/8" LG.....	2
86	00734-G1		LOCK NUT, 7/16 - 14.....	2
87				
88	71489-G01		WARNING LABEL	1

TRUCK BED, REFRESHER COOLER

REFRESHER COOLER INSERT

1 - Includes Items 2 - 17

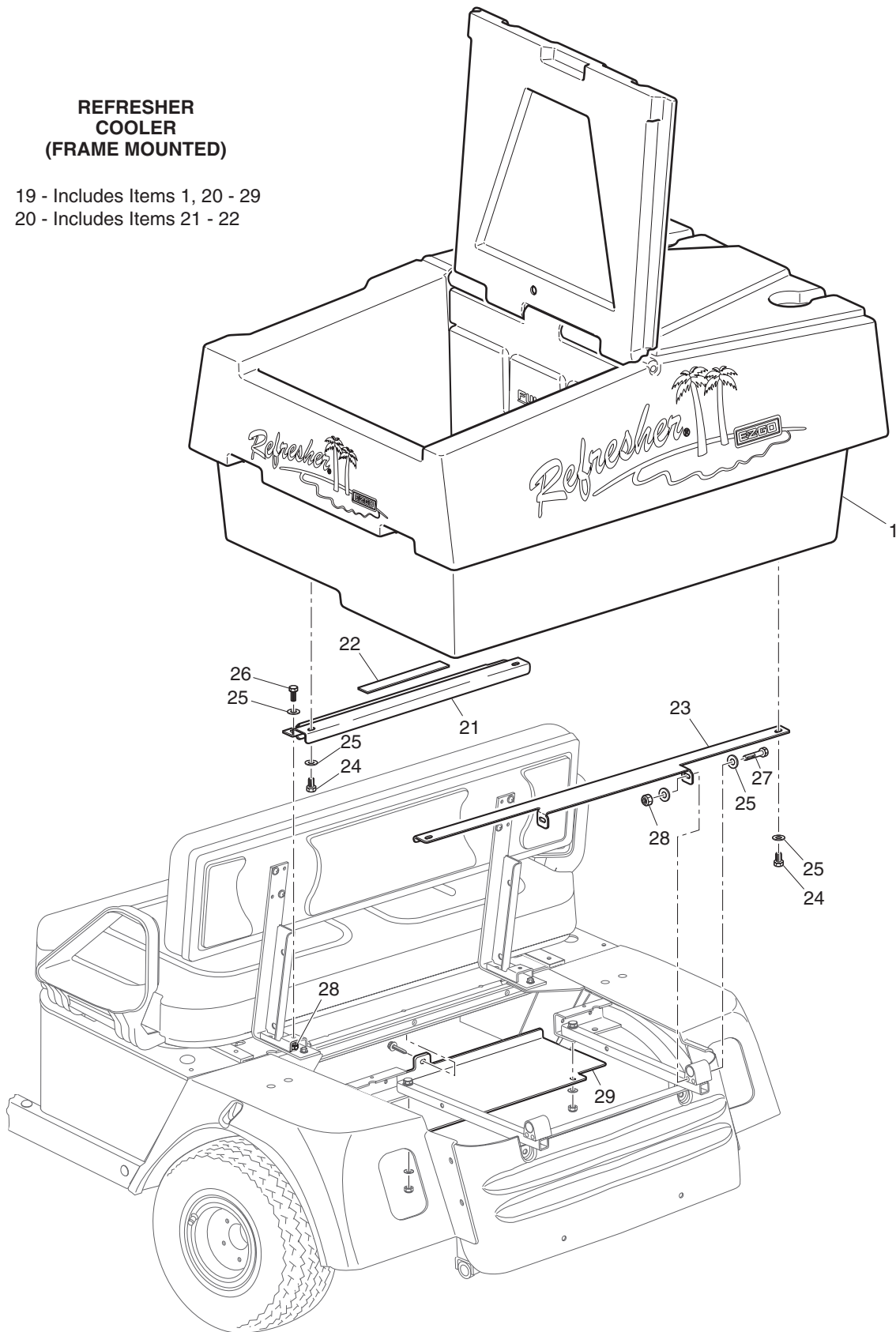


Ref Ref 5-1

TRUCK BED, REFRESHER COOLER

REFRESHER COOLER (FRAME MOUNTED)

19 - Includes Items 1, 20 - 29
20 - Includes Items 21 - 22



Ref Ref 5-2

TRUCK BED, REFRESHER COOLER

THE USE OF NON U.L. PARTS WILL VOID ANY U.L. LISTING.

When ordering parts, please specify the model and serial number of the product.

* Indicates a component that is not available as an individual part.

G** Indicates consult Customer Service Department for additional information.

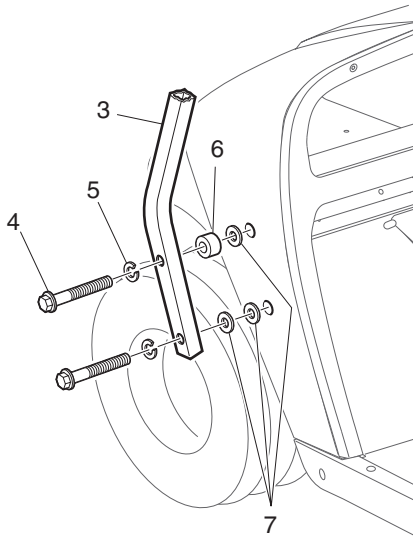
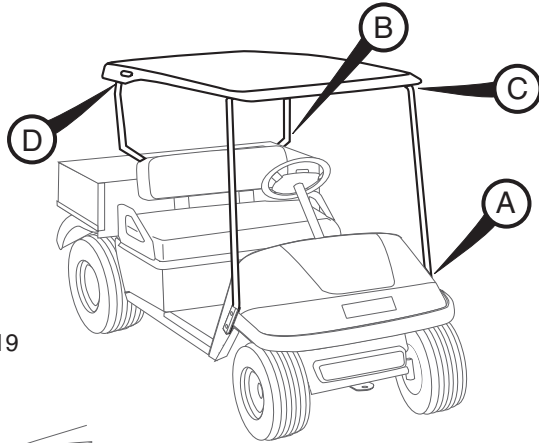
ITEM	PART NO.	1	2	3	4	5	DESCRIPTION	QTY.
1	75663-G01						REFRESHER COOLER INSERT KIT (INCLUDES ITEMS 2 - 17)	1
2	75664-G01						REFRESHER COOLER.....	1
3	75665-G01						DOOR	2
4	75666-G01						CENTER DIVIDER.....	1
5	75667-G01						SIDE DIVIDER	2
6	75668-G01						TRAY.....	2
7	75669-G01						RUBBER STOPPER.....	1
8	75670-G01						HINGE ROD.....	1
9	75744-G01						HOLE PLUG	2
10	75739-G01						FOAM SPACER	2
11	35991-G01						LABEL (WARNING)	2
12	35974-G01						UPPER SUPPORT ARM	2
13	35975-G01						LOWER SUPPORT ARM	2
14	16705-G2						SCREW, 1/4 - 20 X 5/8"	6
15	35248-G02						SPACER, 1/8"	8
16	14390-G4						LOCK NUT, 1/4 - 20.....	2
17	35976-G01						VINYL GRIP.....	2
18								
19	75738-G01						REFRESHER COOLER (FRAME MOUNTED) (INCLUDES ITEMS 1, 20 - 29)	1
20	75752-G01						SUPPORT / DECAL ASSEMBLY (INCLUDES ITEMS 21 - 22)	1
21	*						REFRESHER FRONT SUPPORT.....	1
22	75751-G01						REFRESHER CAUTION DECAL	1
23	75672-G01						REFRESHER REAR SUPPORT	1
24	00270-G5						BOLT, 5/16 - 18 x 5/8" LG	4
25	00559-G8						WASHER, 5/16"	10
26	00438-G6						BOLT, 5/16 - 18 x 3/4" LG	2
27	00440-G4						BOLT, 5/16 - 18 x 2 1/2" LG	2
28	11098-G6						LOCK NUT, 5/16 - 18.....	4
29	75749-G01						HEAT SHIELD.....	1

TRUCK BED, REFRESHER COOLER

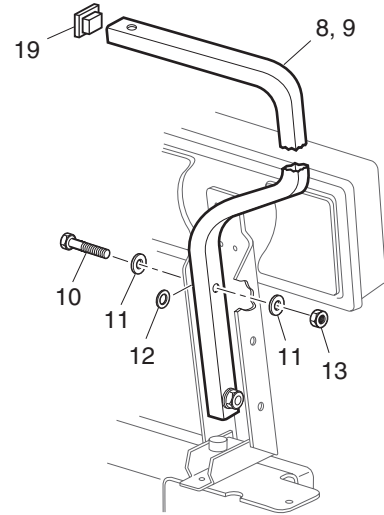
WEATHER PROTECTION

SUN TOP

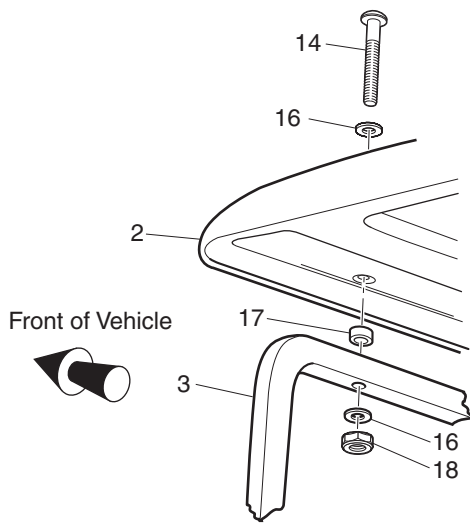
1 - Includes Items 2 - 19



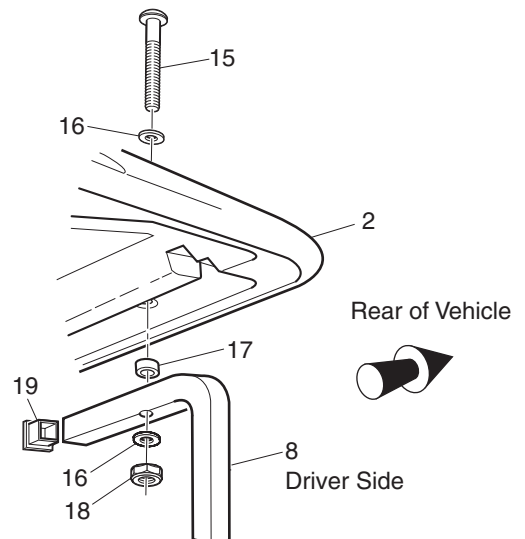
DETAIL A



DETAIL B



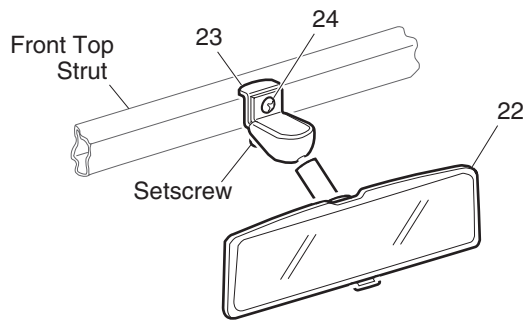
**DETAIL C
(FRONT)**



**DETAIL D
(REAR)**

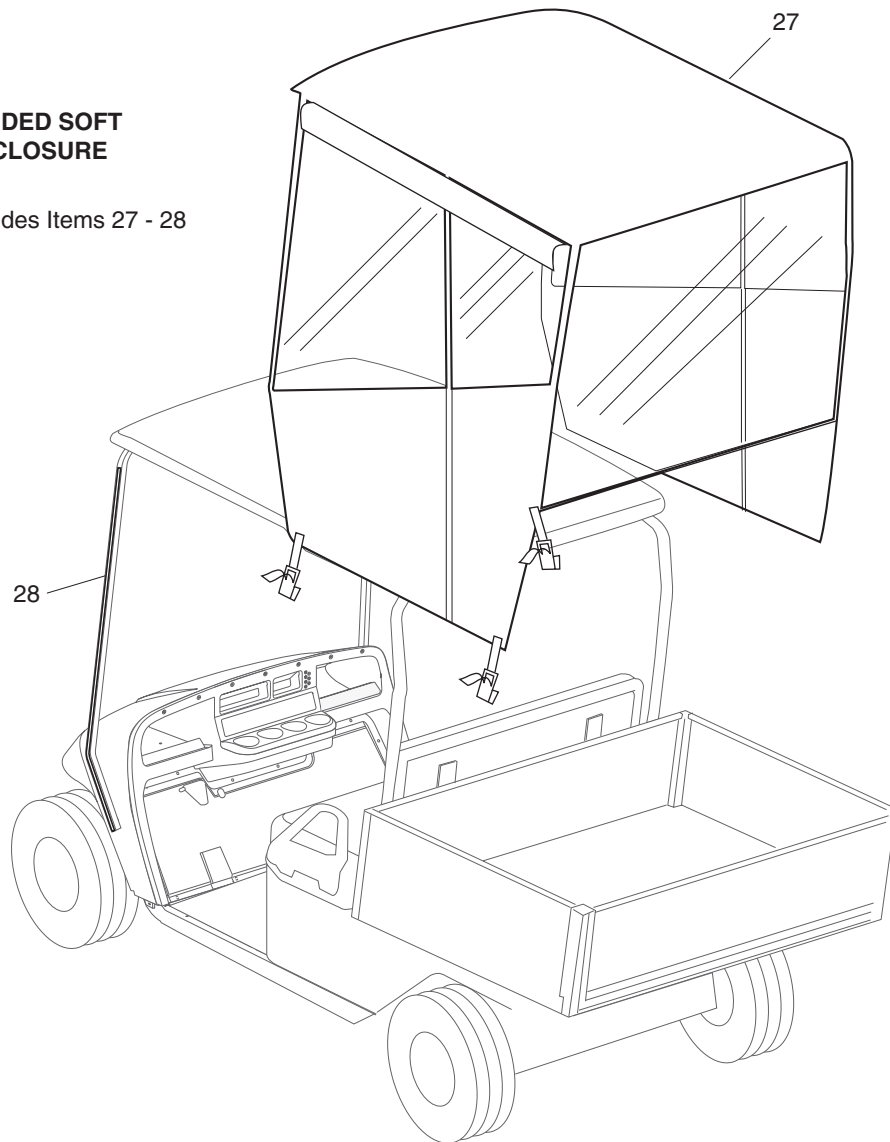
Ref Wea 5-1

WEATHER PROTECTION



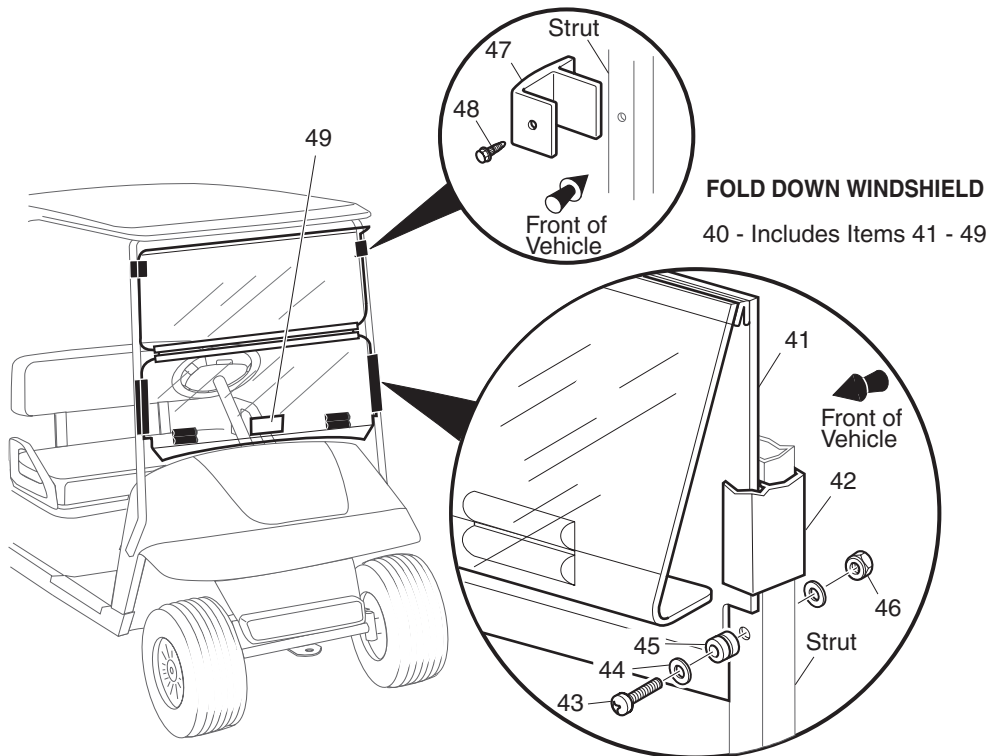
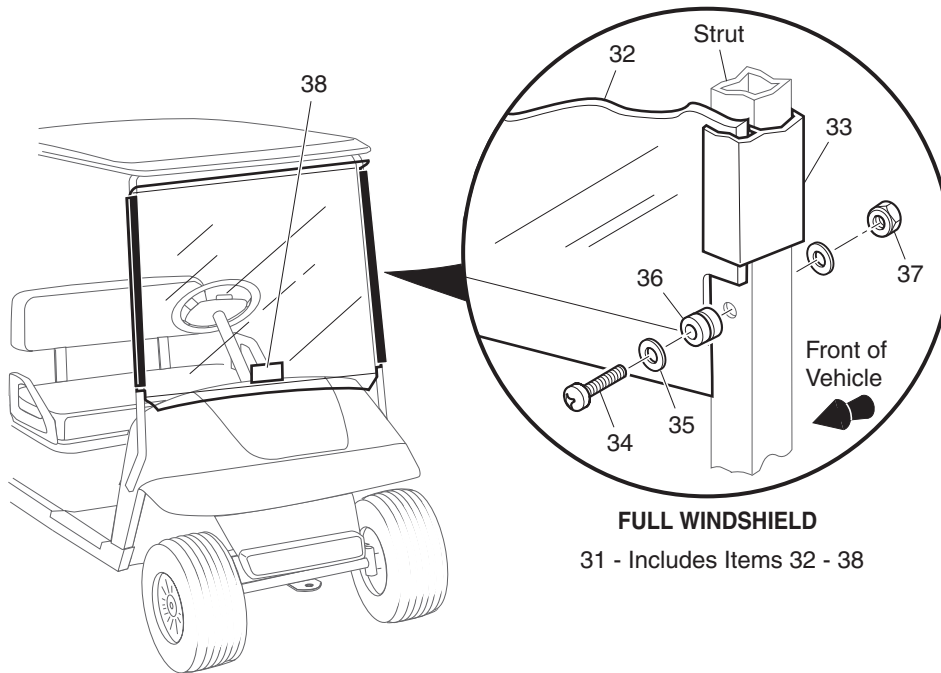
REAR VIEW MIRROR
21 - Includes Items 22 - 24

3-SIDED SOFT ENCLOSURE
26 - Includes Items 27 - 28



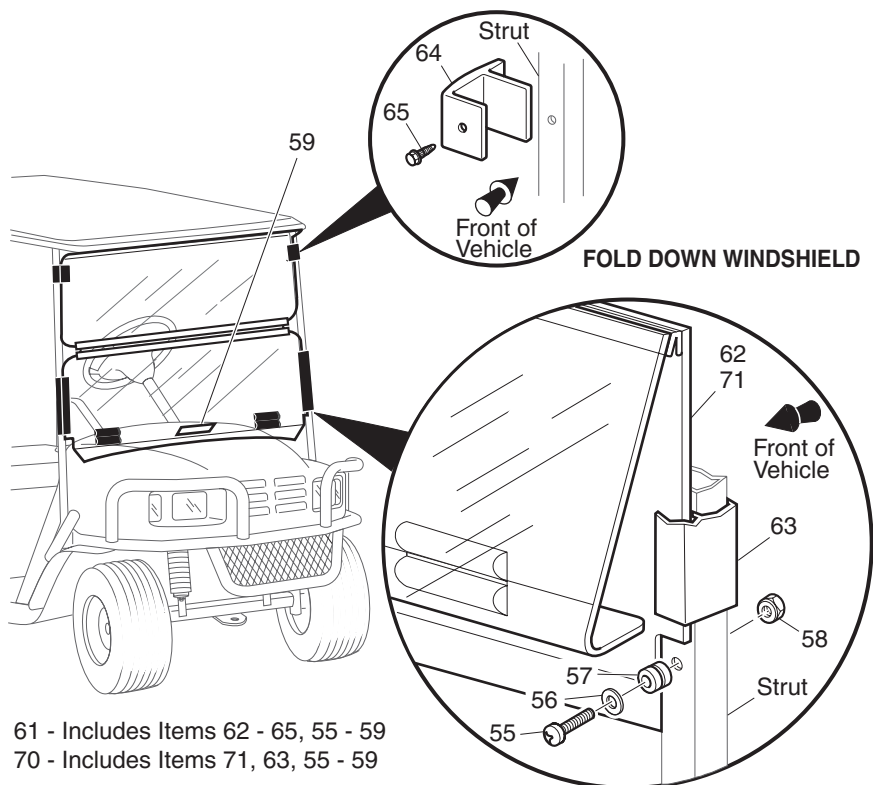
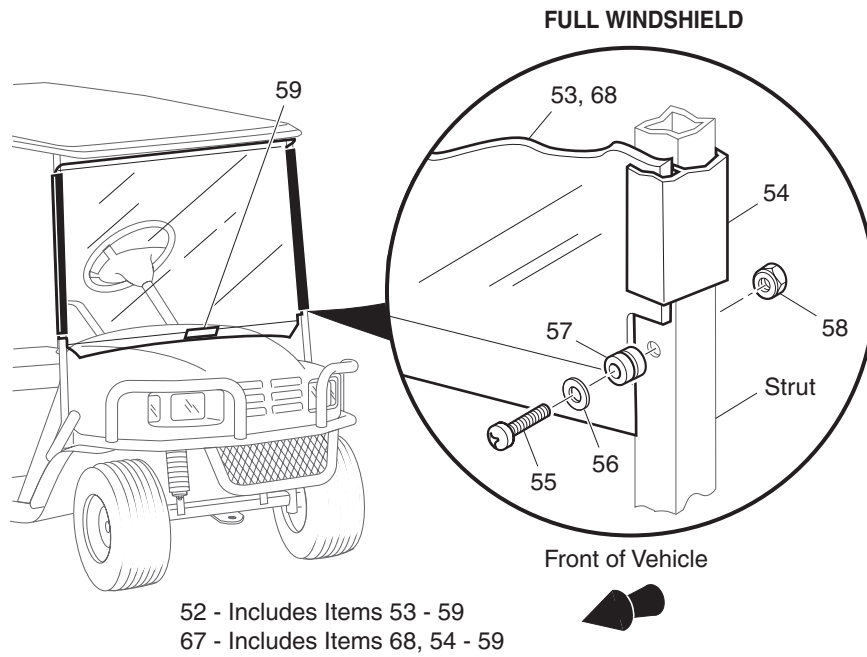
Ref Wea 5-2

WEATHER PROTECTION



Ref Wea 5-3

WEATHER PROTECTION



Ref Wea 5-4

WEATHER PROTECTION

THE USE OF NON U.L. PARTS WILL VOID ANY U.L. LISTING.

When ordering parts, please specify the model and serial number of the product.

* Indicates a component that is not available as an individual part.

G** Indicates consult Customer Service Department for additional information.

ITEM	PART NO.	1 2 3 4 5	DESCRIPTION	QTY.
1	75040-G0*		SUN TOP KIT (INCLUDES ITEMS 2 -19)	1
2	27069-G07		SUN TOP	1
3	75045-G01		FRONT STRUT.....	1
4	01035-G01		BOLT, 5/16 - 18 X 2 1/4" LG.....	4
5	00905-G8		LOCK WASHER, 5/16"	4
6	75048-G01		SPACER, 1/2"	2
7	00570-G2		WASHER, 5/16"	6
8	71328-G01		REAR STRUT (DRIVER SIDE).....	1
9	71328-G02		REAR STRUT (PASSENGER SIDE)	1
10	00439-G6		BOLT, 5/16 - 18 X 1 3/4" LG.....	4
11	00571-G2		WASHER, 5/16"	8
12	17255-G1		NYLON WASHER, 5/16".....	4
13	11098-G6		LOCK NUT, 5/16 - 18	4
14	00753-G5		SCREW, 1/4 - 20 X 2" LG (STAINLESS STEEL).....	2
15	00753-G6		SCREW, 1/4 - 20 X 2 1/4" LG (STAINLESS STEEL).....	2
16	00559-G7		WASHER, 1/4"	8
17	75051-G01		PLASTIC SPACER	4
18	00891-G2		LOCK NUT, 1/4 - 20	4
19	19853-G1		END CAP, 1"	2
20				
21	19528-G2		REAR VIEW MIRROR KIT (INCLUDES ITEMS 22 - 24)	1
22	19496-G1		REAR VIEW MIRROR	1
23	19502-G2		SUPPORT BRACKET.....	1
24	19527-G1		SCREW, #8 - 32 X 5/8" LG (STAINLESS STEEL).....	1
25				
26	75367-G*		3-SIDED SOFT ENCLOSURE KIT (INCLUDES ITEMS 27 - 28).....	1
27	*		ENCLOSURE.....	1
28	*		VELCRO	AR
29				
30				

WEATHER PROTECTION

Replacement parts for the windshield may be obtained from Eagle Parts, Inc. 1411 Marvin Griffin Rd. Augusta, GA 30906. Telephone (706) 790-6687 or FAX (706) 790-6066

* Indicates a component that is not available as an individual part.

G** Indicates consult Customer Service Department for additional information.

ITEM	PART NO.	1	2	3	4	5	DESCRIPTION	QTY.
31	75524-G01						WINDSHIELD KIT (FULL) (800 / 280) (INCLUDES ITEMS 32 - 38).....	1
32	*						WINDSHIELD (FULL)	1
33	EGWHC12						SASH, 26" LG	2
34	EGWHS12						SCREW, 1/4 - 20 X 1 3/4" LG (STAINLESS STEEL).....	2
35	EGWHW12						WASHER, 1/4" (STAINLESS STEEL)	4
36	EGWHG13						RUBBER GROMMET	2
37	EGWHN12						LOCK NUT, 1/4 - 20 (STAINLESS STEEL)	2
38	EGWHL-14						LABEL (SAFETY)	1
39								
40	75525-G01						WINDSHIELD KIT (FOLD DOWN) (800 / 280) (INCLUDES ITEMS 41 - 49)	1
41	*						WINDSHIELD (FOLD DOWN)	1
42	EGWHC10						SASH, 12" LG	2
43	EGWHS12						SCREW, 1/4 - 20 X 1 3/4" LG (STAINLESS STEEL).....	2
44	EGWHW12						WASHER, 1/4" (STAINLESS STEEL)	4
45	EGWHG13						RUBBER GROMMET	2
46	EGWHN12						LOCK NUT, 1/4 - 20 (STAINLESS STEEL)	2
47	137-010						TOP GRIP, 3/4" X 2"	2
48	136-008						TOP GRIP FASTENER.....	2
49	EGWHL-14						LABEL (SAFETY)	1
50								
51								
52	71966-G01						WINDSHIELD KIT (FULL) (LX / SE) (INCLUDES ITEMS 53 - 59) (REQUIRES SUN TOP KIT)	1
53	*						WINDSHIELD (FULL) (LEXAN).....	1
54	EGWHC12						SASH, 26" LG	2
55	EGWHS12						BOLT, 1/4 - 20 X 1 3/4" LG (STAINLESS STEEL)	2
56	EGWHW12						WASHER, 1/4" (STAINLESS STEEL)	4
57	EGWHG13						RUBBER GROMMET	2
58	EGWHN12						LOCK NUT, 1/4 - 20 (STAINLESS STEEL)	2
59	EGWHL14						SAFETY LABEL.....	1

WEATHER PROTECTION

Replacement parts for the windshield may be obtained from Eagle Parts, Inc. 1411 Marvin Griffin Rd. Augusta, GA 30906. Telephone (706) 790-6687 or FAX (706) 790-6066

* Indicates a component that is not available as an individual part.

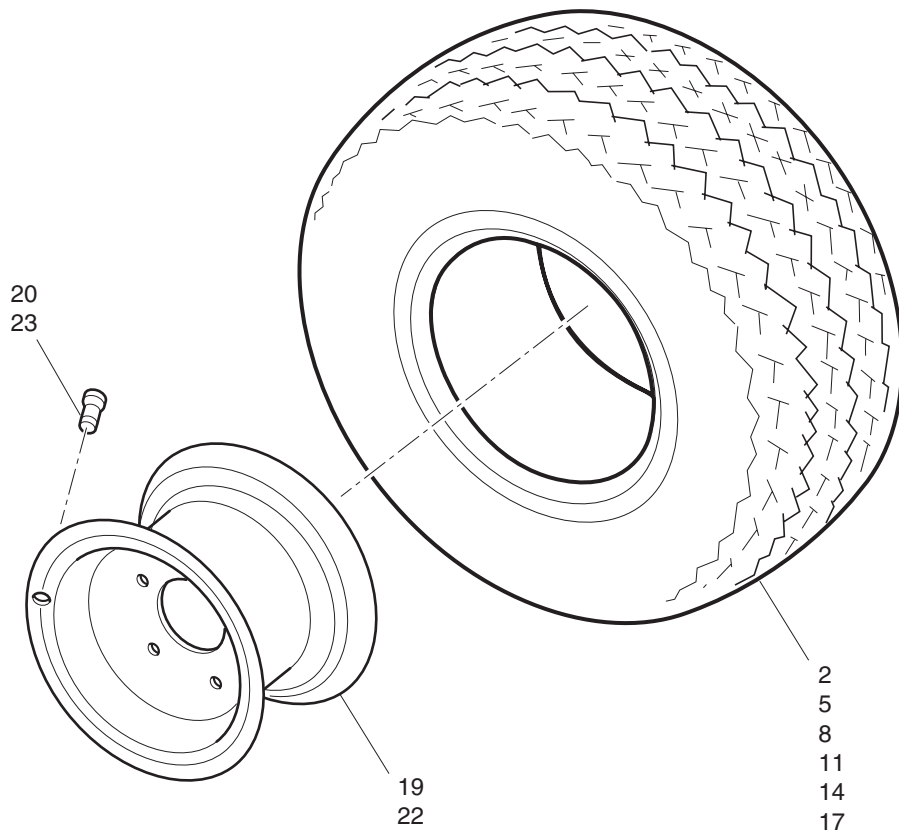
G** Indicates consult Customer Service Department for additional information.

ITEM	PART NO.	1	2	3	4	5	DESCRIPTION	QTY.
60								
61	71966-G02						WINDSHIELD KIT (FOLD DOWN) (LX / SE) (INCLUDES ITEMS 62 - 65, 55 - 59) (REQUIRES SUN TOP KIT)	1
62	*						WINDSHIELD (FOLD DOWN) (LEXAN).....	1
63	EGWHC10						SASH, 12" LG	2
64	137-010						TOP GRIP, 3/4" X 2"	2
65	136-008						TOP GRIP FASTENER.....	2
66								
67	71966-G03						WINDSHIELD KIT (FULL) (LX / SE) (INCLUDES ITEMS 68, 54 - 59) (REQUIRES SUN TOP KIT)	1
68	*						WINDSHIELD (FULL) (ACRYLIC)	1
69								
70	71966-G04						WINDSHIELD KIT (FOLD DOWN) (LX / SE) (INCLUDES ITEMS 71, 63, 55 - 59) (REQUIRES SUN TOP KIT)	1
71	*						WINDSHIELD (FOLD DOWN) (ACRYLIC).....	1

WHEELS AND TIRES

- 1 - Includes Items 2, 19, 20
- 4 - Includes Items 5, 19, 20
- 7 - Includes Items 8, 19, 20
- 10 - Includes Items 11, 19, 20
- 13 - Includes Items 14, 22, 23
- 16 - Includes Items 17, 22, 23

Tire design may vary by Part Number



Ref Whl 5-1



6" CHROME HUBCAP
26



8" CHROME HUBCAP
25



GOLD / SILVER SPOKE HUBCAP
27, 28

WHEELS AND TIRES

When ordering parts, please specify the model and serial number of the product.

* Indicates a component that is not available as an individual part.

G** Indicates consult Customer Service Department for additional information.

ITEM	PART NO.	1 2 3 4 5	DESCRIPTION	QTY.
1	27772-G01		WHEEL & TIRE ASSEMBLY, LINKS (INCLUDES ITEMS 2, 19, 20)	A/R
2	27772-G05		CARLISLE TIRE (LINKS 18 X 8.5 - 8)	A/R
3				
4	27772-G03		WHEEL & TIRE ASSEMBLY, TURF SAVER (INCLUDES ITEMS 5, 19, 20)	A/R
5	27772-G07		CARLISLE TIRE (TURF SAVER 18 X 8.5 - 8)	A/R
6				
7	27772-G09		WHEEL & TIRE ASSEMBLY, LINKS (INCLUDES ITEMS 8, 19, 20)	A/R
8	27772-G10		CARLISLE TIRE (LINKS 18 X 8.5 - 8)	A/R
9				
10	27775-G01		WHEEL & TIRE ASSEMBLY, USA TRAIL (INCLUDES ITEMS 11, 19, 20)	A/R
11	27775-G02		CARLISLE TIRE (USA TRAIL 6 PLY 18.5 X 8.5 - 8)	A/R
12				
13	27784-G02		WHEEL & TIRE ASSEMBLY, USA TRAIL (INCLUDES ITEMS 14, 22, 23)	A/R
14	27784-G04		CARLISLE TIRE (USA TRAIL 18.5 X 5.7 - 8)	A/R
15				
16	35154-G03		WHEEL & TIRE ASSEMBLY, FOAM FILLED USA TRAIL (INCLUDES ITEMS 17, 22, 23)	A/R
17	27784-G01		CARLISLE TIRE (USA TRAIL 18.5 X 5.7 - 8)	A/R
18				
19	15169-G2		WHEEL RIM (4 LUG)	A/R
20	11657-G1		VALVE STEM	A/R
21				
22	33678-G01		WHEEL RIM (4 LUG)	A/R
23	26482-G01		VALVE STEM (METAL)	A/R
24				
25	14913-G*		8" CHROME HUBCAP (OPTIONAL)	A/R
26	16042-G*		6" CHROME HUBCAP (OPTIONAL)	A/R
27	19241-G*		GOLD SPOKE HUBCAP (OPTIONAL)	A/R
28	19241-G*		SILVER SPOKE HUBCAP (OPTIONAL)	A/R

SPECIALTY PRODUCTS

SPECIALTY PRODUCTS

SPECIALTY PRODUCTS

SPECIAL TOOLS	PART NO.
HIGH RESISTANCE SPARK PLUG WIRE SET	26733-G02
CLUTCH PULLER (DRIVE)	19779-G2
FLYWHEEL PULLER	27111-G01
CURRENT INDICATOR	16489-G2
DIGITAL MULTI-METER	27481-G01
SLIDE HAMMER (AXLE/HUB REMOVAL)	15947-G1
SLIDE HAMMER (AXLE REMOVAL ONLY)	18753-G1
COMPRESSION TESTER	72524-G01
FEELER GAUGE	72525-G01
TACHOMETER	72526-G01

ENGINE OIL	PART NO.
4 CYCLE ENGINE OIL, 5 GALLON (19 LITER)	25730-G03
4 CYCLE ENGINE OIL, 12 QUART CASE	25730-G04
4 CYCLE ENGINE OIL, 1 QUART BOTTLE (950 ML)	25730-G06

TOUCH UP PAINT	PART NO.
PEN 3 OUNCE (89 ML) - HUNTER GREEN	28432-G02
PEN 3 OUNCE (89 ML) - CHAMPAGNE BEIGE	28432-G01
PEN 3 OUNCE (89 ML) - WHITE	28432-G05
PEN 3 OUNCE (89 ML) - INDUSTRIAL YELLOW	28432-G03
PEN 3 OUNCE (89 ML) - ORANGE	28432-G04
PEN 3 OUNCE (89 ML) - STEEL BLUE PEARL	28432-G**
PEN 3 OUNCE (89 ML) - CAMOUFLAGE PAINT (THREE PENS)	75831-G01
AEROSOL 12 OUNCE (360 ML) - HUNTER GREEN	28140-G09
AEROSOL 12 OUNCE (360 ML) - CHAMPAGNE BEIGE	28140-G15
AEROSOL 12 OUNCE (360 ML) - WHITE	28140-G03
AEROSOL 12 OUNCE (360 ML) - INDUSTRIAL YELLOW	28140-G14
AEROSOL 12 OUNCE (360 ML) - ORANGE	28140-G13
AEROSOL 12 OUNCE (360 ML) - STEEL BLUE PEARL	28140-G**

SPECIALTY PRODUCTS

MAINTENANCE PRODUCTS	PART NO.
FORMULA 40 VINYL-COAT® - WHITE	28166-G01
PLEXUS® CLEANER, 7 OUNCE (210 ML) (FOR WINDSHIELDS)	28433-G01
PLEXUS® CLEANER, 13 OUNCE (380 ML) (FOR WINDSHIELDS)	28433-G02
BATTERY PROTECTOR, 14 OUNCE (410 ML) SPRAY	75500-G01
CARBURETOR & CHOKE CLEANER, 15 OUNCE (440 ML) SPRAY	75501-G01
WHITE LITHIUM GREASE, 14 OUNCE (410 ML) SPRAY	75502-G01
PENETRANT/LUBRICANT, 15 OUNCE (440 ML) SPRAY	75503-G01
MULTI-PURPOSE CLEANER & DEGREASER, 14 OUNCE (410 ML) SPRAY	75504-G01
MULTI-PURPOSE HAND CLEANER, 32 OUNCE (950 ML) LIQUID	75505-G01
BATTERY CLEANER, 32 OUNCE (950 ML) WITH TRIGGER SPRAYER	75506-G01
BIO-DEGRADABLE CLEANER, 32 OUNCE (950 ML) WITH TRIGGER SPRAYER	75507-G01
MULTI-PURPOSE VALUE PACK.....	75508-G01
• BATTERY PROTECTOR, 4 OUNCE (120 ML) SPRAY	
• PENETRANT/LUBRICANT, 4 OUNCE (120 ML) SPRAY	
• WHITE LITHIUM GREASE, 4 OUNCE (120 ML) SPRAY	
• CARBURETOR & CHOKE CLEANER, 4 OUNCE (120 ML) SPRAY	

SPECIALTY PRODUCTS

Notes:

OPTIONS/ACCESSORIES

OPTIONS/ACCESSORIES

OPTIONS/ACCESSORIES

ITEM	KIT NO.	COMMENTS
ACCESSORIES LISTING		
	KIT NO.	
ASHTRAY KIT	75109-G02	See BODY
BALL HITCH KIT	74270-G03	See BODY
BUMPER KIT	74041-G01	See BODY
CAB, W/O DOORS	75854-G0*	See CAB
CLEVIS HITCH KIT	74270-G07	See BODY
CHROME HUB CAP 8"	14913-G*	See WHEELS AND TIRES
CHROME HUB CAP 6"	16042-G*	See WHEELS AND TIRES
DEFROSTER/COOLING FAN	74248-G01	See CAB
DIFFERENTIAL GUARD	72347-G01	See REAR AXLE
DOOR SET	75856-G0*	See CAB
DOOR SET (VINYL)	75855-G01	See CAB
ELECTRIC DUMP KIT	74164-G04	See TRUCKBED
GLOVE BOX DOOR	75459-G0*	See BODY
HOUR METER KIT	75114-G02	See ELECTRICAL SYSTEM
INSIDE MIRROR	27924-G01	See WEATHER PROTECTION
INSTRUMENT/SWITCH PANEL	74250-G01	See CAB
REAR VIEW MIRROR KIT	19528-G2	See WEATHER PROTECTION
SOFT ENCLOSURE	75367-G01	See WEATHER PROTECTION
STROBE LIGHT	74245-G01	See CAB
SUN TOP KIT	75040-G0*	See WEATHER PROTECTION
TURN SIGNAL KIT	75107-G02	See ELECTRICAL SYSTEM
GOLD SPOKE WHEEL COVERS	19241-G*	See WHEELS AND TIRES
SILVER SPOKE WHEEL COVERS	19241-G*	See WHEELS AND TIRES
WINDSHIELD (FULL) (800 / 280)	75524-G01	See WEATHER PROTECTION
WINDSHIELD (FOLD DOWN) (800 / 280)	75525-G01	See WEATHER PROTECTION
WINDSHIELDS (800 LX / 280 SE)	71966-G0*	See WEATHER PROTECTION
WINDSHIELD WIPER	74244-G01	See CAB
WORK LIGHTS	74247-G01	See CAB
WORK LIGHT BAR WITH LIGHTS	71323-G01	See ELECTRICAL SYSTEM
WORK LIGHT BAR WITH STROBE	71323-G02	See ELECTRICAL SYSTEM
WORK LIGHT BAR WITH LIGHTS AND STROBE	71323-G03	See ELECTRICAL SYSTEM

INDEX OF MAJOR COMPONENTS

INDEX OF MAJOR COMPONENTS

BY PART DESCRIPTION



A Textron Company

E-Z-GO Division of Textron, Inc.
P.O. Box 388 Augusta, Georgia 30903-0388 USA
Inside USA Phone: 1-800-241-5855, FAX: 1-800-448-8124
Outside USA Phone: 010-1-706-798-4311, FAX: 010-1-706-771-4609

Copyrighted Material
This manual may not be reproduced in whole or
in part without the express permission of
E-Z-GO Division of Textron, Inc.
Technical Communications Department